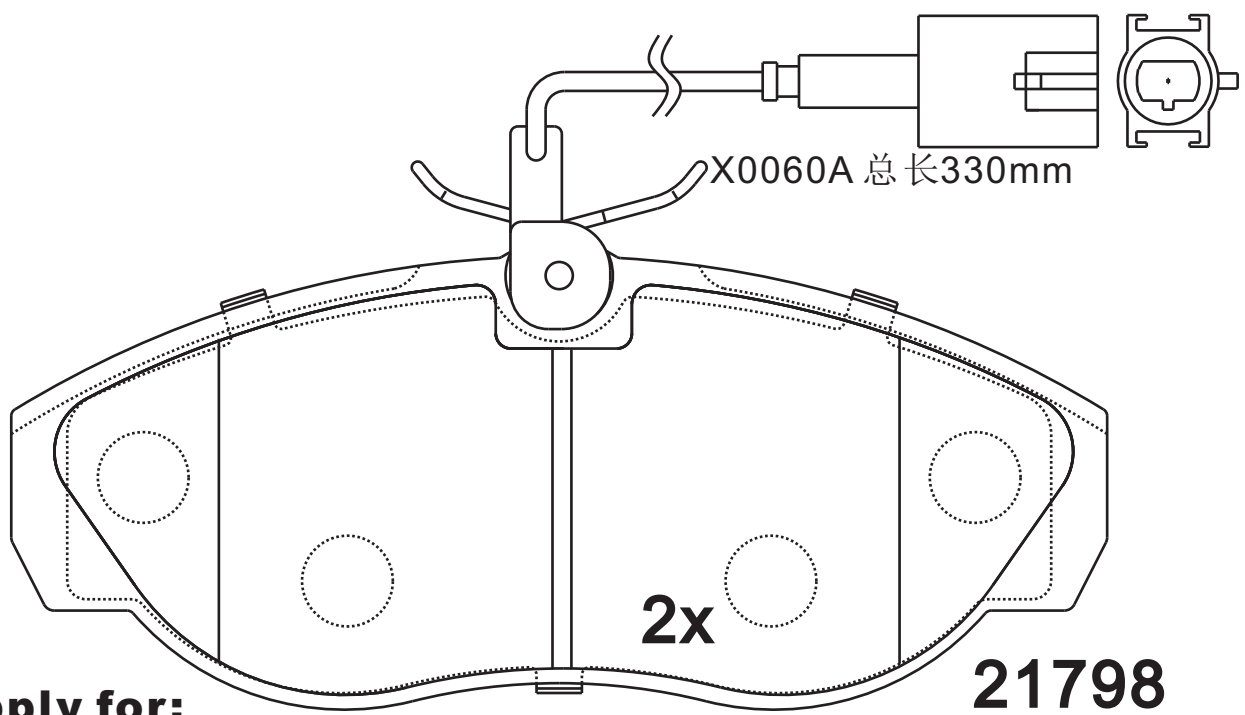
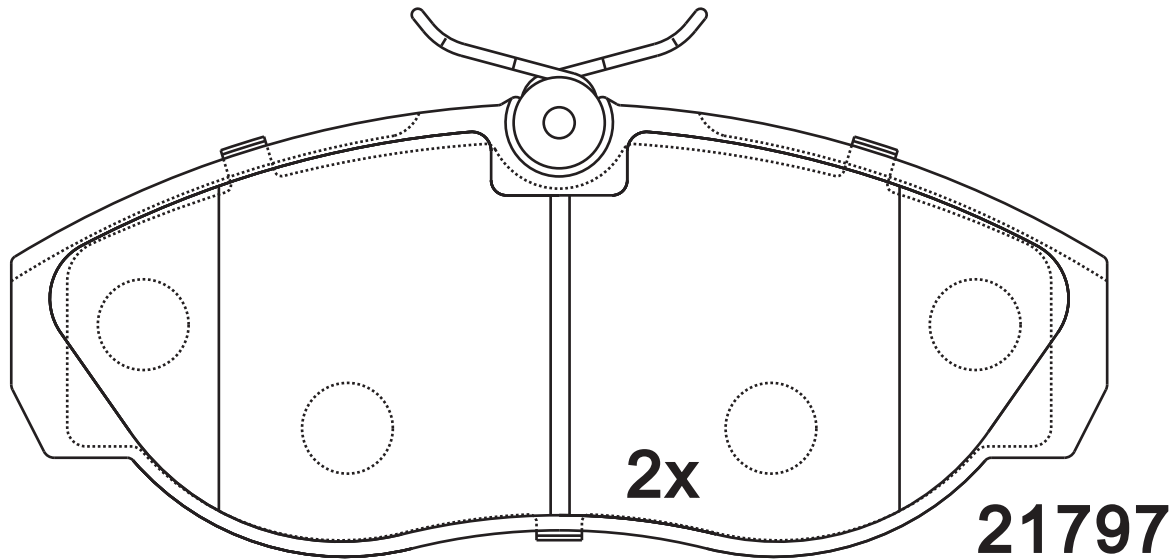


SR0001.01

Dimension (mm)	Thickness (mm)	
144.9×60.8	19.5	

NOTE
2 identical with brake caliper screws; 2 identical with brake caliper screws, wear warning contact: 201mm.



Apply for:

Fiat Ducato	Bus	03.94-04.02
Fiat Ducato	Box	03.94-04.02
Fiat Ducato	Platform	12.98-04.02
Peugeot Boxer	Box	03.96-09.98
Peugeot Boxer	Bus	03.94-04.02
Peugeot Boxer	Platform	03.94-04.02
Citroen Jumper	Bus	02.94-04.02
Citroen Jumper	Box	03.94-04.02
Citroen Jumper	Platform	03.94-04.02

SR0001.02

**Dimension
(mm)**

144.9×60.8

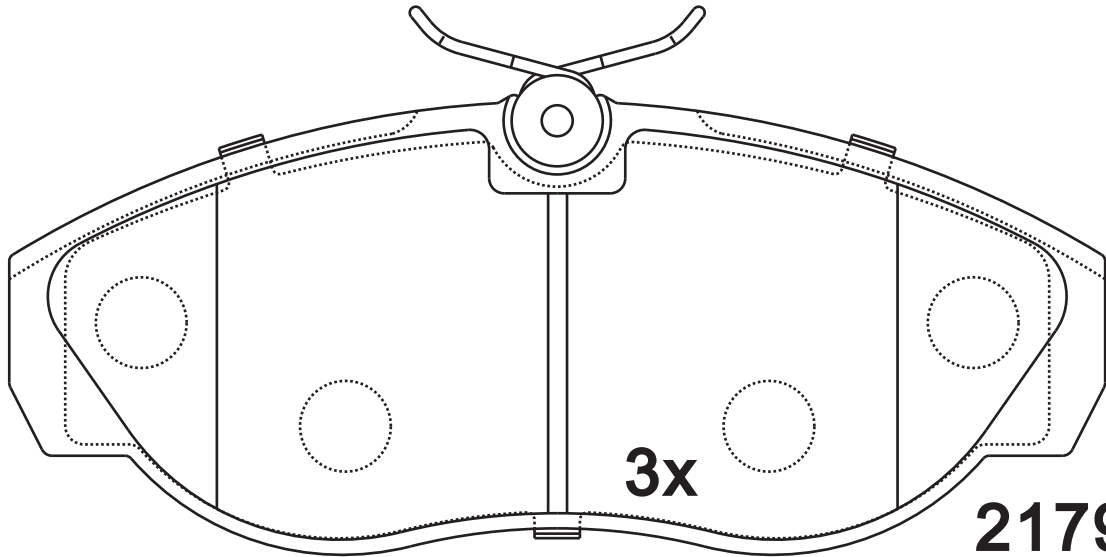
**Thickness
(mm)**

19.5



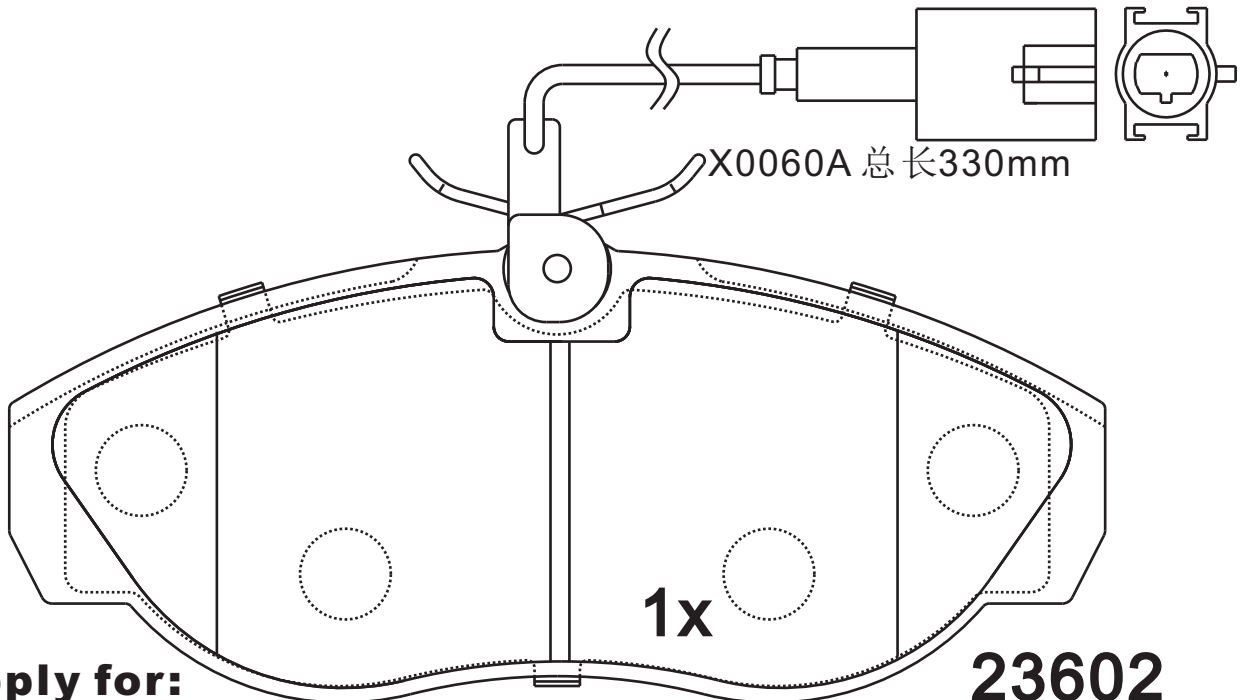
NOTE

2 identical with brake caliper screws; 2 identical with brake caliper screws, wear warning contact: 201mm.



3x

21797



1x

23602

Apply for:

Fiat Ducato	Bus	03.94-04.02
Fiat Ducato	Box	03.94-04.02
Fiat Ducato	Platform	12.98-04.02
Peugeot Boxer	Box	03.96-09.98
Peugeot Boxer	Bus	03.94-04.02
Peugeot Boxer	Platform	03.94-04.02
Citroen Jumper	Bus	02.94-04.02
Citroen Jumper	Box	03.94-04.02
Citroen Jumper	Platform	03.94-04.02

SR0001

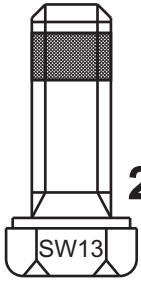
**Dimension
(mm)**

**Thickness
(mm)**



NOTE

**附件包
Accessory bag**



2x

M8×21
L0010
FJB0003.01

SR0002.01

**Dimension
(mm)**

**Thickness
(mm)**

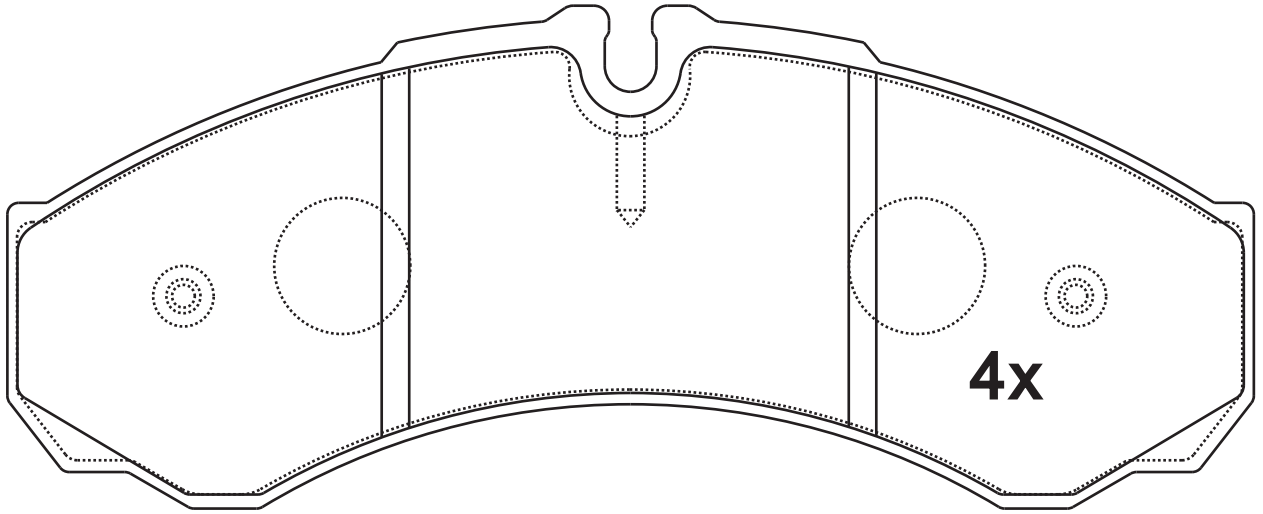


NOTE

**4 identical prepare for
wear indicator.**

165×66.5

20.3



4x

29121

Apply for:

Iveco Daily III
Iveco Daily III

Box
Platform

05.99-
05.99-

SR0002.02

**Dimension
(mm)**

164.6×66.5

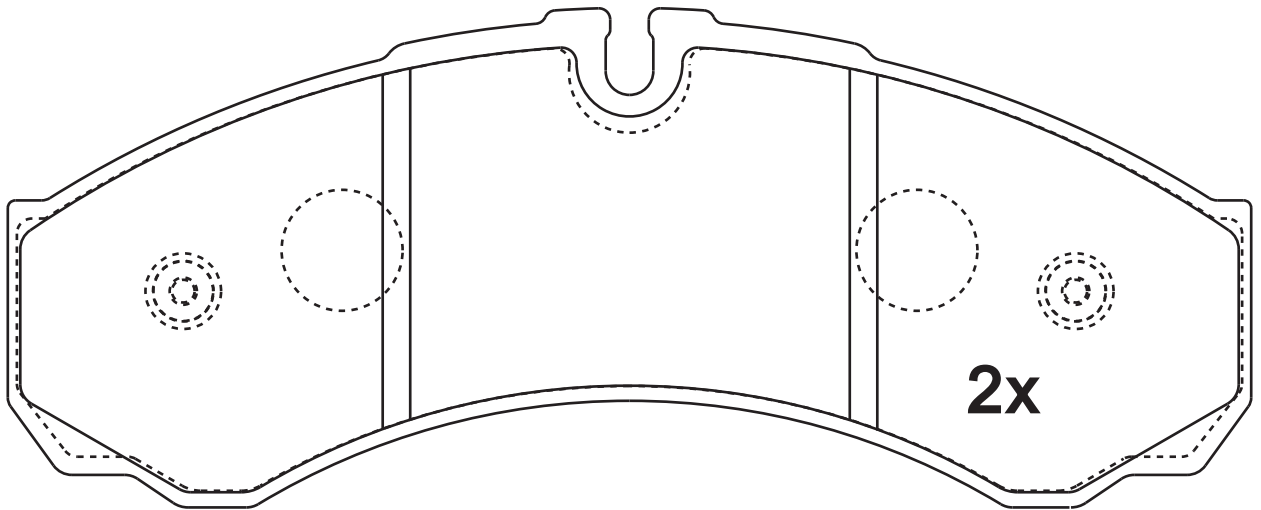
**Thickness
(mm)**

20.3



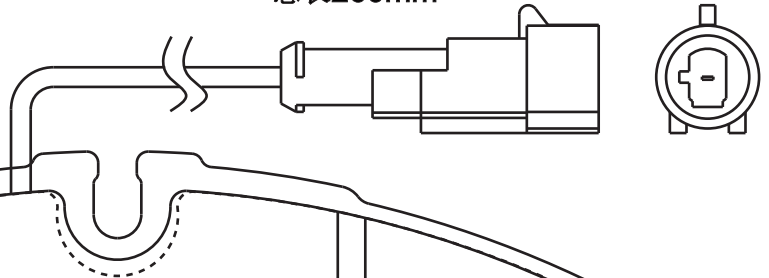
NOTE

**4 identical prepare for
wear indicator.**



29121

总长260mm



29260

Apply for:

Iveco Daily III
Iveco Daily III

Box
Platform

05.99-
05.99-

SR0002.03

**Dimension
(mm)**

**Thickness
(mm)**

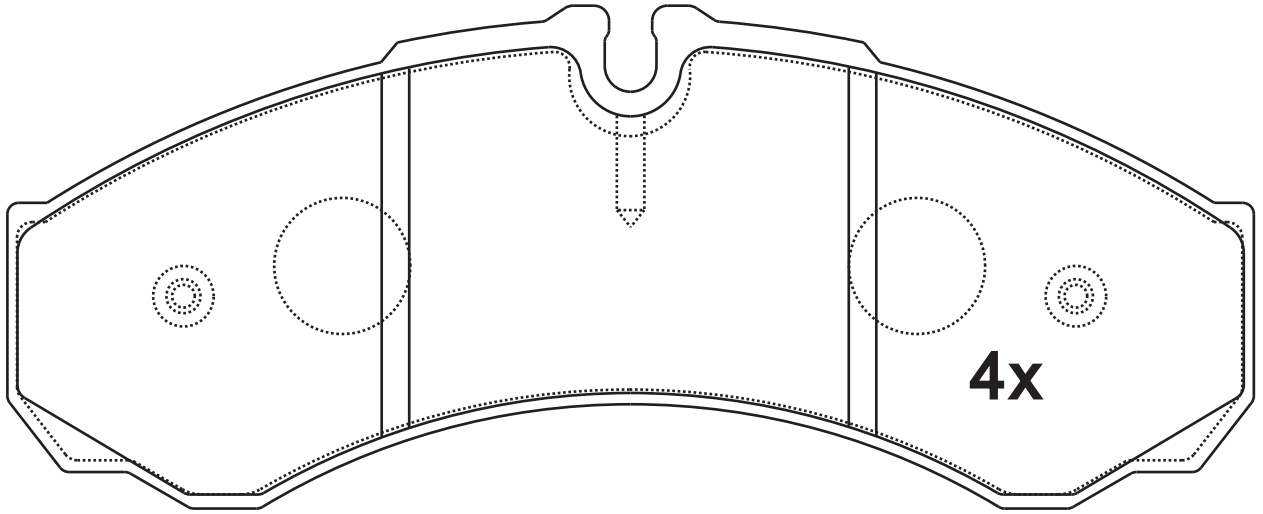


NOTE

4 identical

165×66.5

18



4x

29121

Apply for:

Iveco Daily III
Iveco Daily III

Box
Platform

05.99-
05.99-

SR0002

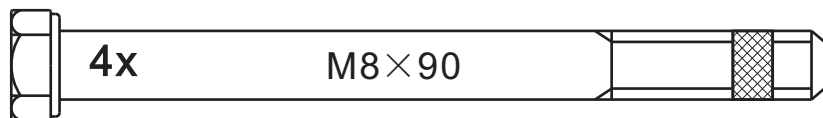
**Dimension
(mm)**

**Thickness
(mm)**



NOTE

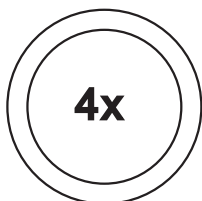
附件包
Accessory bag



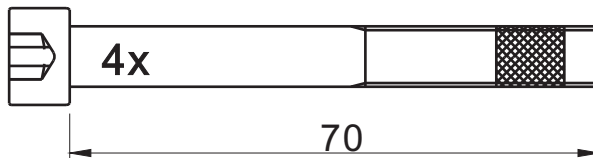
L0011
FJB0002.01



XJ003

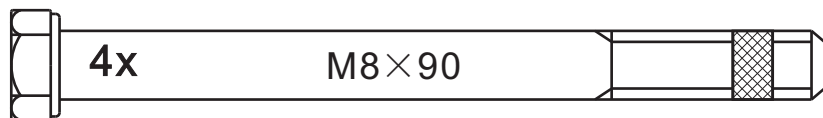


4x

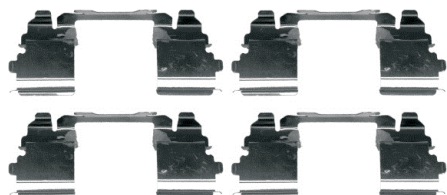


M8X1.25X70
L0019

FJB0002.02



L0011



4x

K0508用K0333代替

FJB0002.03

SR0003.01**Dimension
(mm)**

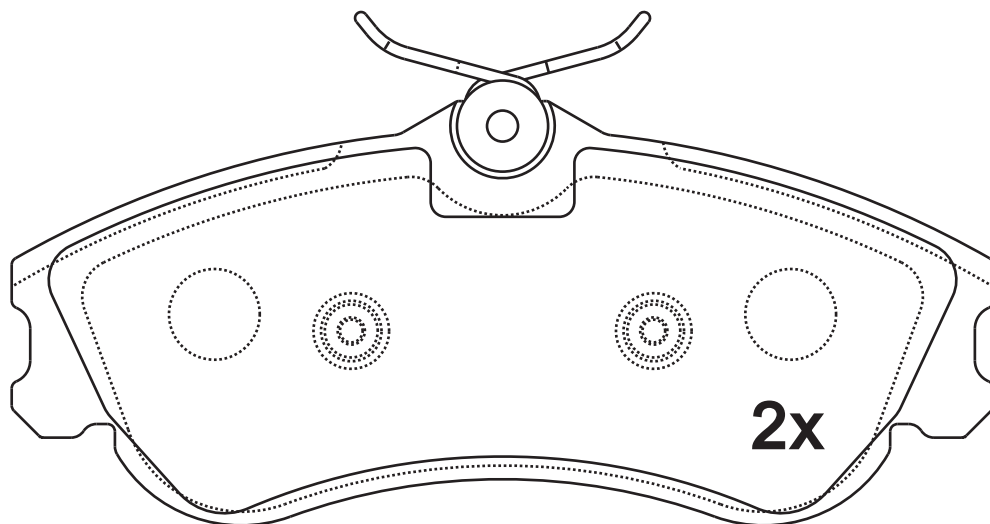
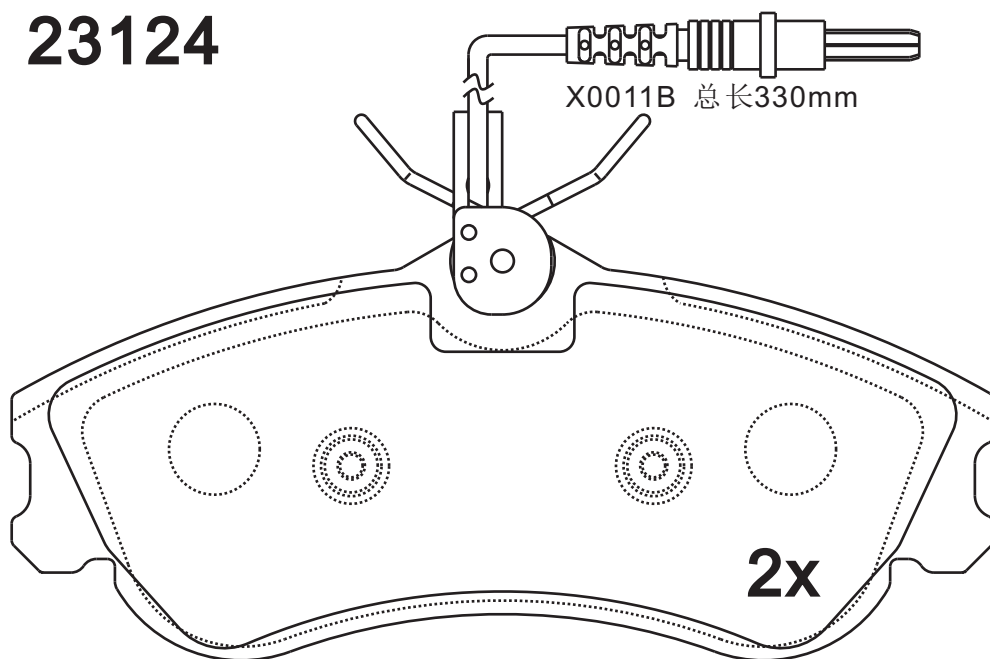
129.8×56.1

**Thickness
(mm)**

19.0

**NOTE**

**2 identical ;2 identical
with wear warning
contact:330mm.**

**23124****23125****Apply for:**

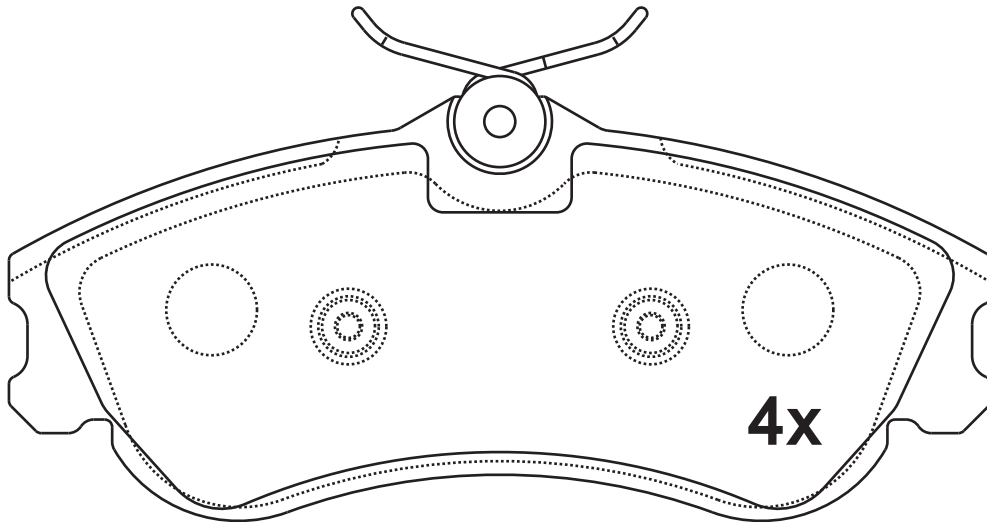
Citroen Berlingo	MPV	07.96-
Citroen Berlingo	Box	07.96-
Citroen Xsara	Break	10.97-08.05
Citroen Xsara	Coupe	02.98-04.05
Peugeot 306	Break	06.94-04.02
Peugeot 306	Convertible	03.94-04.02
Peugeot 306	Hatchback	04.93-08.01
Peugeot Partner	Box	04.96-
Peugeot Partner	Combispace	05.96-

SR0003.02**Dimension
(mm)**

129.8×56.1

**Thickness
(mm)**

19.0

**NOTE****4 identical ;****23124****Apply for:**

Citroen Berlingo	MPV	07.96-
Citroen Berlingo	Box	07.96-
Citroen Xsara	Break	10.97-08.05
Citroen Xsara	Coupe	02.98-04.05
Peugeot 306	Break	06.94-04.02
Peugeot 306	Convertible	03.94-04.02
Peugeot 306	Hatchback	04.93-08.01
Peugeot Partner	Box	04.96-
Peugeot Partner	Combispace	05.96-

SR0003.03

**Dimension
(mm)**

129.8×56.1

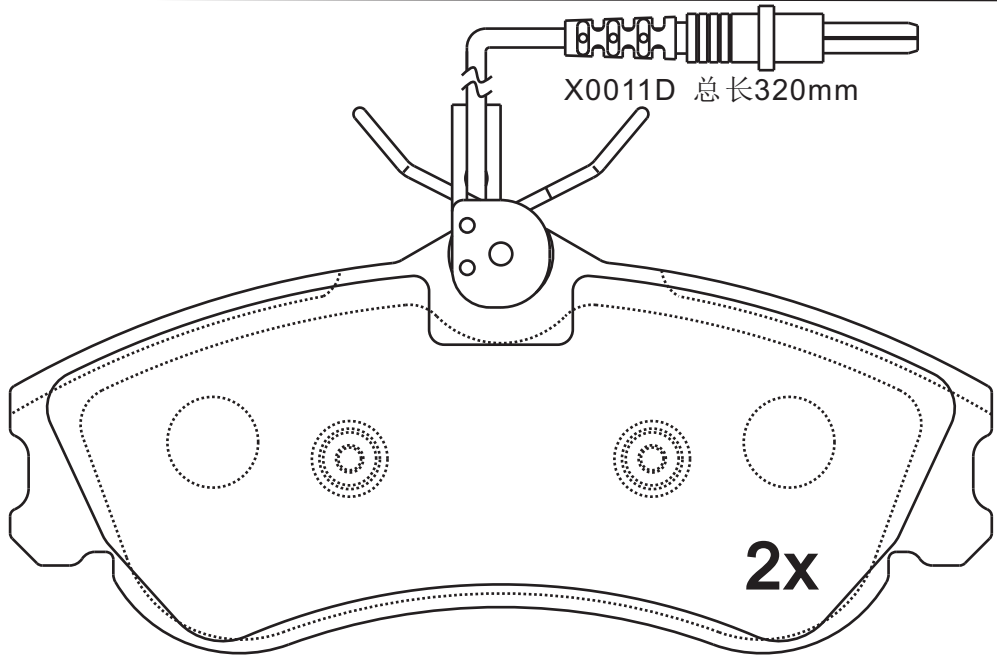
**Thickness
(mm)**

19.0

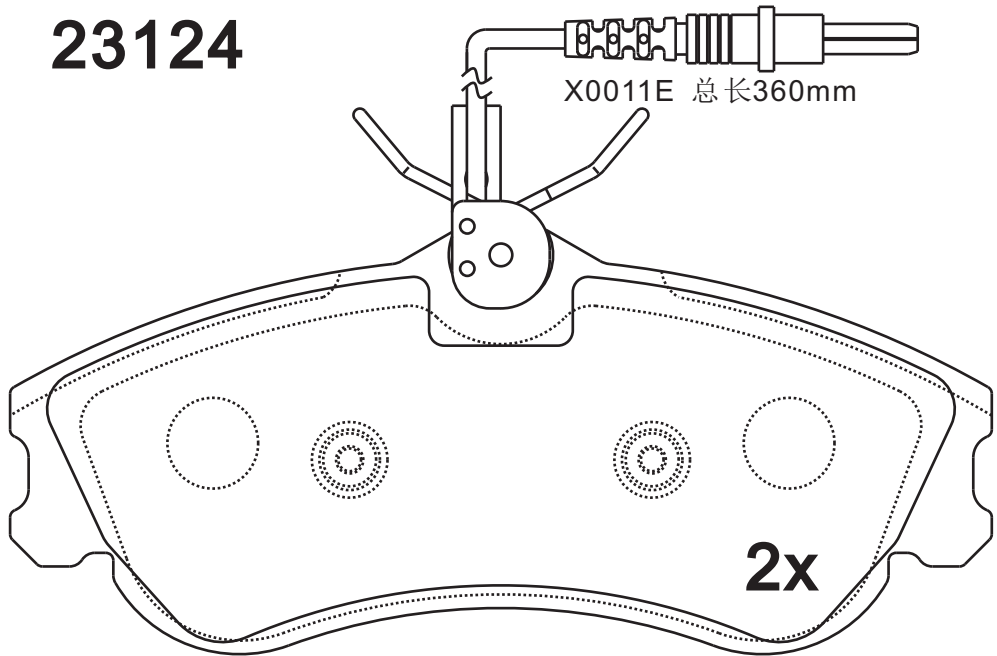


NOTE

4 identical, 2 identical
with wear warning
contact:320mm, 2
identical with wear
warning contact:360mm.



23124



Apply for:

Citroen Berlingo	MPV	07.96-
Citroen Berlingo	Box	07.96-
Citroen Xsara	Break	10.97-08.05
Citroen Xsara	Coupe	02.98-04.05
Peugeot 306	Break	06.94-04.02
Peugeot 306	Convertible	03.94-04.02
Peugeot 306	Hatchback	04.93-08.01
Peugeot Partner	Box	04.96-
Peugeot Partner	Combispace	05.96-

23125

SR0003.04

**Dimension
(mm)**

129.8×56.1

**Thickness
(mm)**

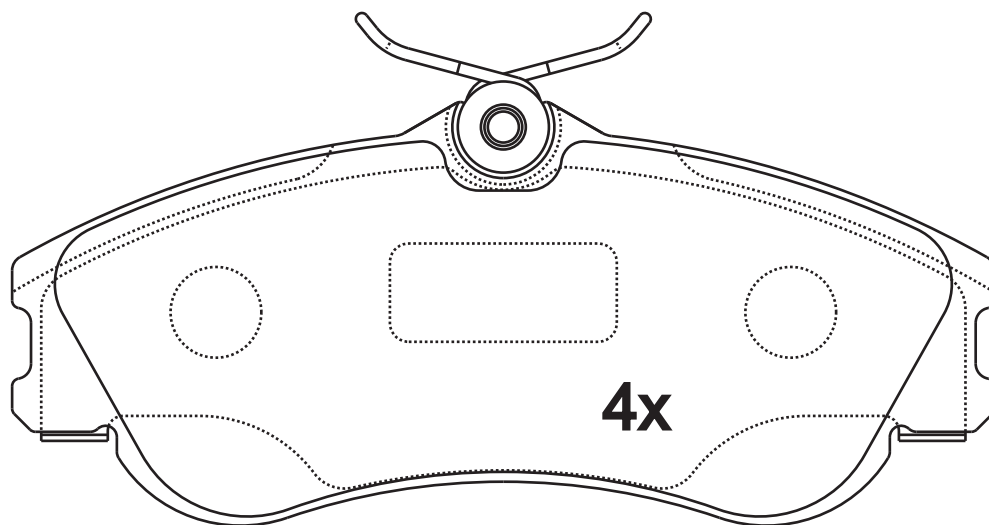
19.0



NOTE

4 identical ,2 identical
with wear warning
contact:320mm,2
identical with wear
warning contact:360mm.

无模具




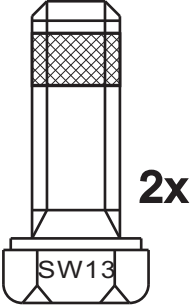
23346

Apply for:

Citroen Berlingo / Berlingo First Box
Citroen Berlingo / Berlingo First Mpv
Peugeot 306
Peugeot 306 Convertible

1996/07-2011/12
1996/07-2011/12
1993/04-2003/10
1994/01-2002/04

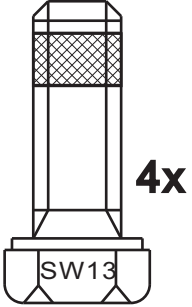
SR0003	Dimension (mm)	Thickness (mm)		NOTE

2x

SW13

M8x21
L0010
FJB0003.01



4x

SW13

M8x21
L0010
FJB0025.01

SR0004.01

**Dimension
(mm)**

105×64.7

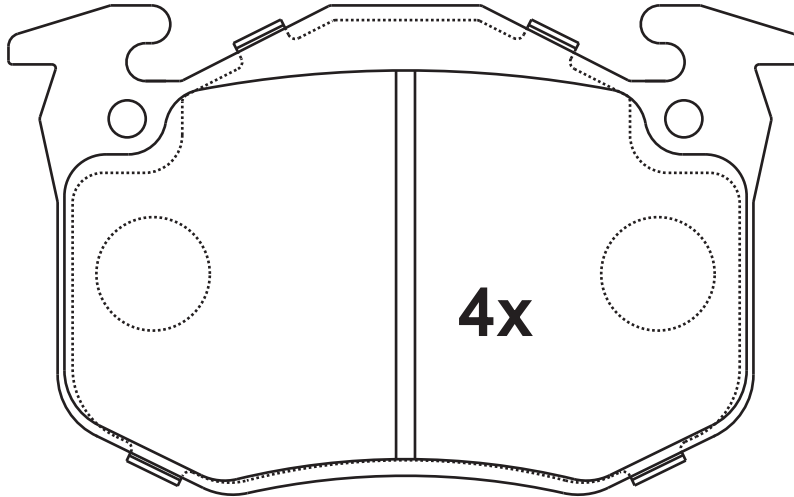
**Thickness
(mm)**

17.7



NOTE

4 identical;




20631

Apply for:

Peugeot 505
Peugeot 505
Alpine A310

Saloon
Estate
Coupe

08.83-09.95
04.82-12.93
01.76-12.84

SR0004	Dimension (mm)	Thickness (mm)		NOTE
				附件包 Accessory bag



SR0005.01

**Dimension
(mm)**

**Thickness
(mm)**

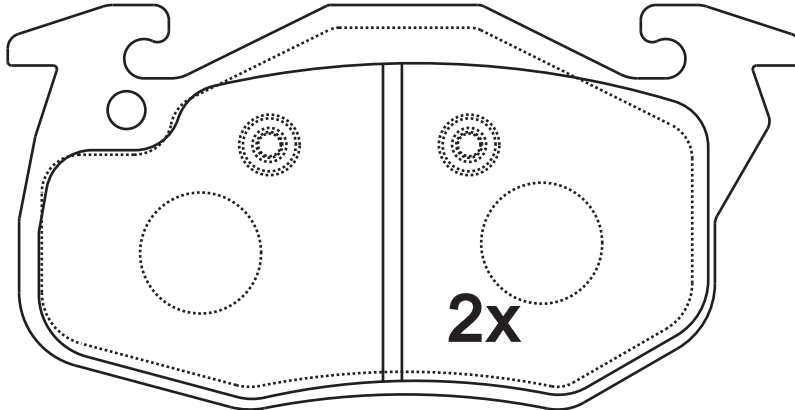


NOTE

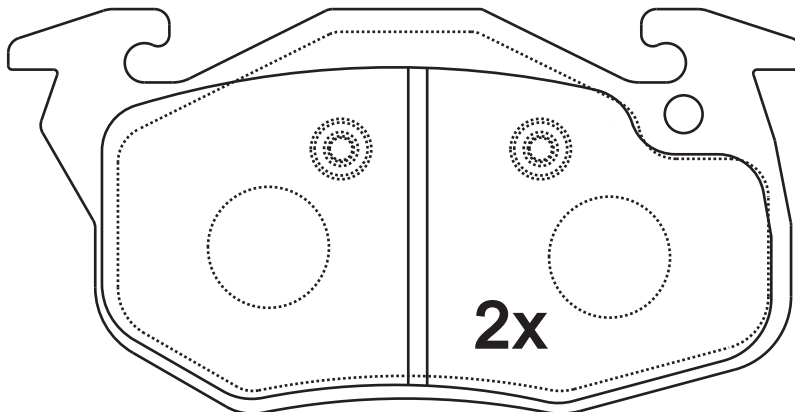
2 identical ;2identical;

105×54

18





20905



20906

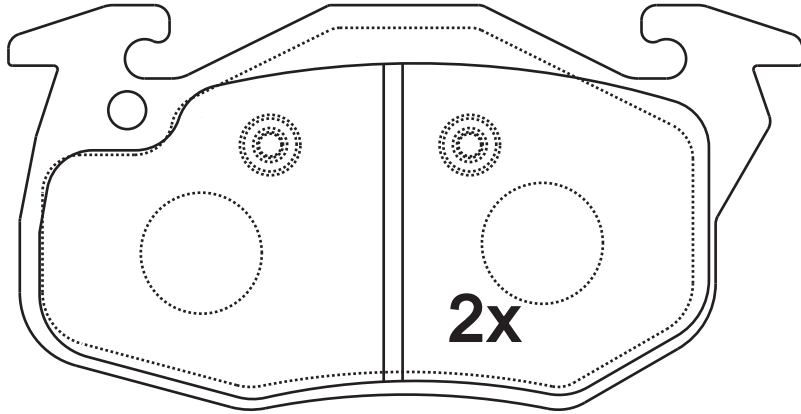
Apply for:

Peugeot	106I	Hatchback	09.91-04.96
Peugeot	106II	Hatchback	05.96-
Peugeot	405I	Estate	10.88-08.92
Peugeot	405II	Estate	08.92-10.96
Renault	Clio I	Hatchback	01.91-09.98
Renault	19 II	Hatchback	01.92-12.95

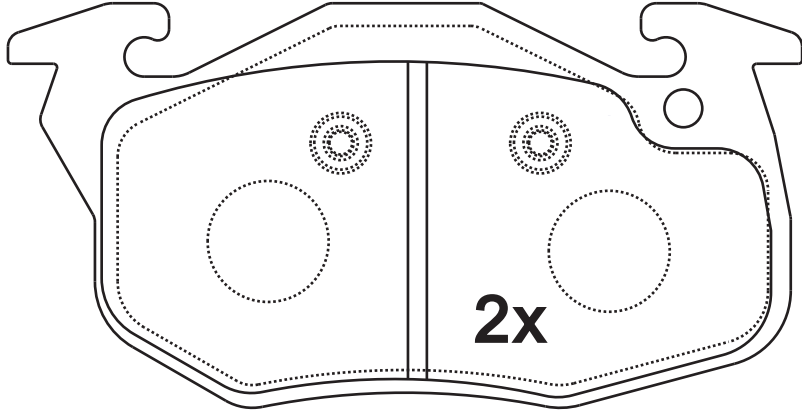
SR0005.02	Dimension (mm)	Thickness (mm)		NOTE 2 identical; 2 identical; 2 alarm lines 194mm
	105×54	18		



SR0005.02和SR0005.01一样



20905



20906

Apply for:

Peugeot	106I	Hatchback	09.91-04.96
Peugeot	106II	Hatchback	05.96-
Peugeot	405I	Estate	10.88-08.92
Peugeot	405II	Estate	08.92-10.96
Renault	Clio I	Hatchback	01.91-09.98
Renault	19 II	Hatchback	01.92-12.95

SR0005

**Dimension
(mm)**

**Thickness
(mm)**



NOTE

**附件包
Accessory bag**



X0055A 总长194mm



FJB2X0055A

SR0006.01

**Dimension
(mm)**

155.8×56.6

**Thickness
(mm)**

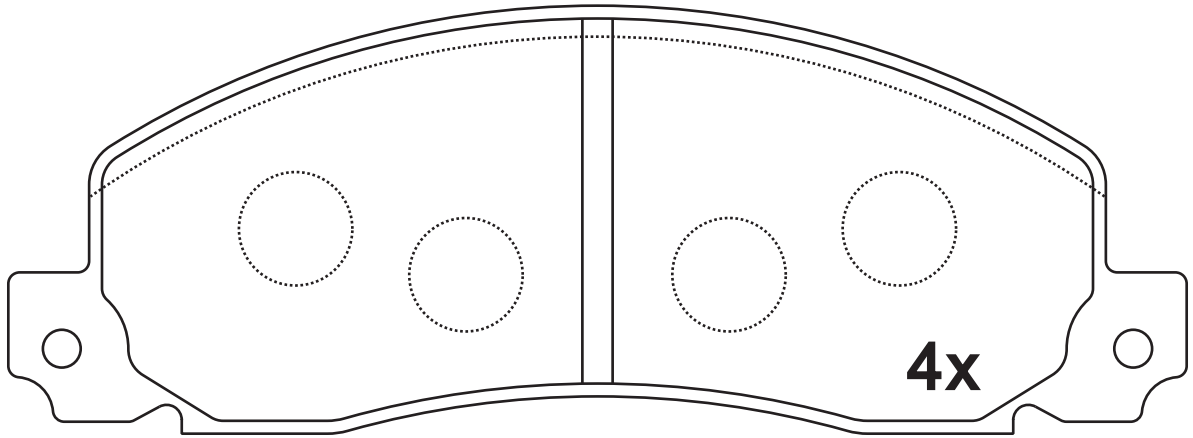
18.5



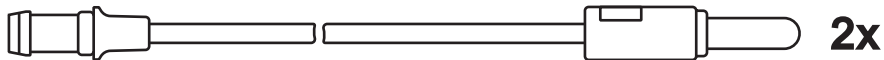
NOTE

4 identical ;2 with warning
contact:325mm.

无模具





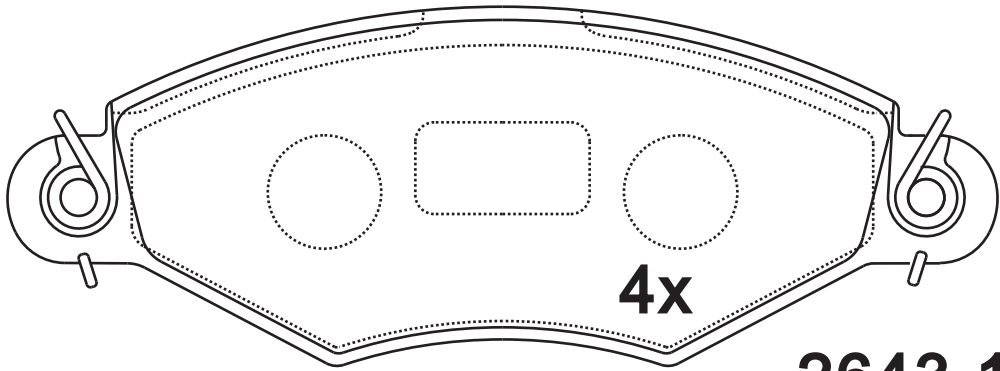
20926



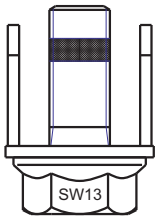
Apply for:

Opel Arena	Box	01.97-12.01
Opel Arena	Bus	01.97-12.01
Renault Trafic	Box	03.80- 03.01
Renault Trafic	Bus	03.80- 03.01
Renault Trafic	Platform	03.80- 03.01
Vauxhall Arena	Bus	03.98-08.01
Vauxhall Arena	Box	03.98-08.01

SR0007.01	Dimension (mm)	Thickness (mm)		NOTE
	130.9×47.5	18		4 identical;



2643.10



2x

M8X20

Apply for:

Peugeot 206
Peugeot 306

Hatchback
Hatchback

SR0008.01**Dimension
(mm)**

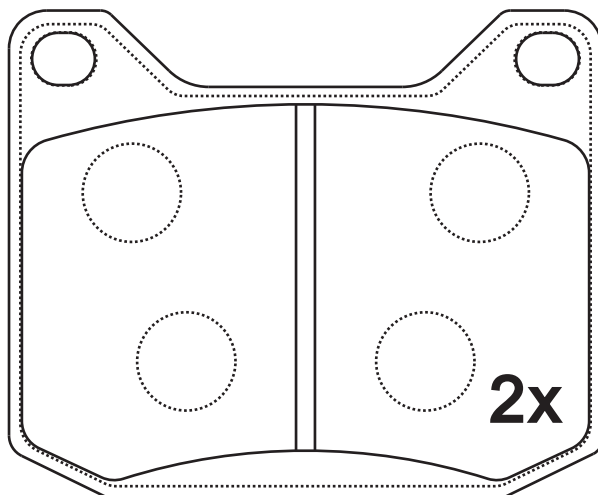
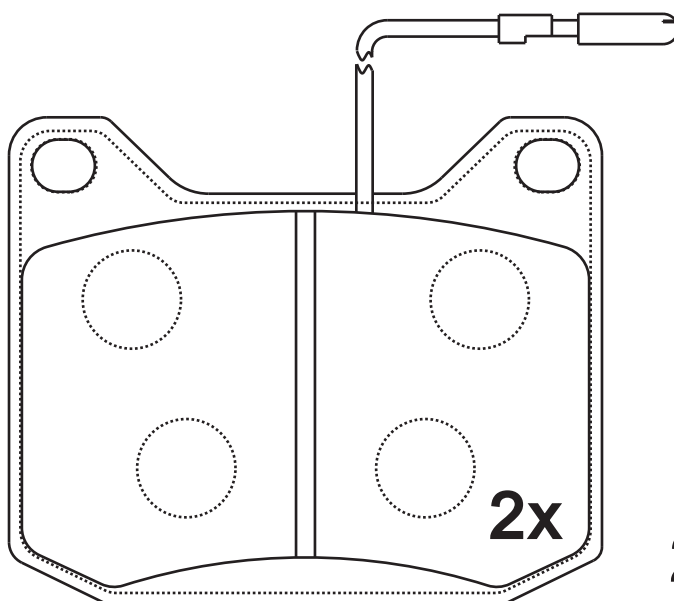
78.4×64.4

**Thickness
(mm)**

17

**NOTE**

2 identical ;2 identical
with wear contact:120
mm;

**20145****20146****Apply for:**

Peugeot 504
Peugeot 504
Peugeot 504
Peugeot 504

Saloon
Estate
Convertible
Coupe

01.71-07.86
04.71-07.86
10.74-08.84
10.74-08.84

SR0009.01

**Dimension
(mm)**

130.7×47.2

**Thickness
(mm)**

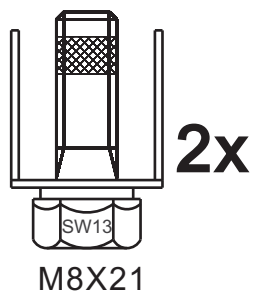
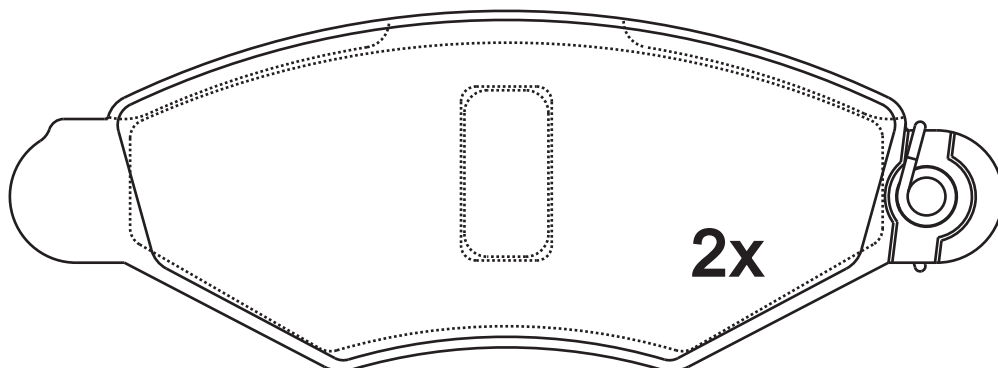
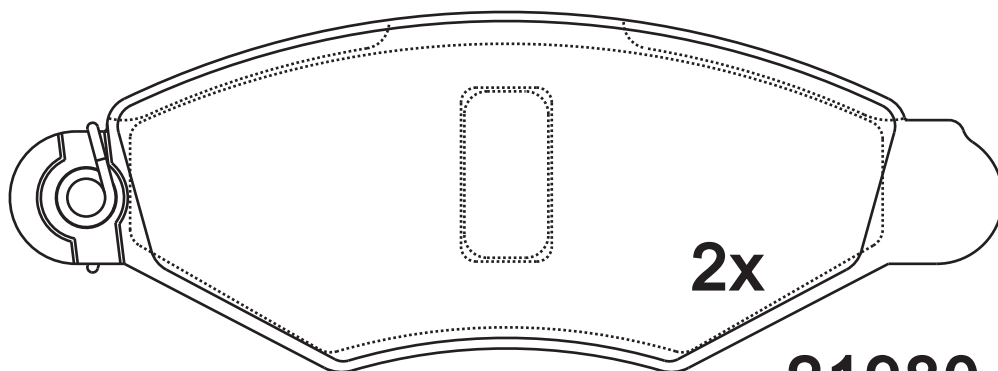
18



NOTE

2 identical with wear warning indicator (right) ;2 identical with wear warning indicator (left) .

无模具



Apply for:

Citroen Xsara
Renault Kangoo

SR0009.02

**Dimension
(mm)**

130.9×47.5

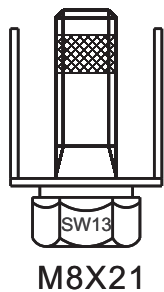
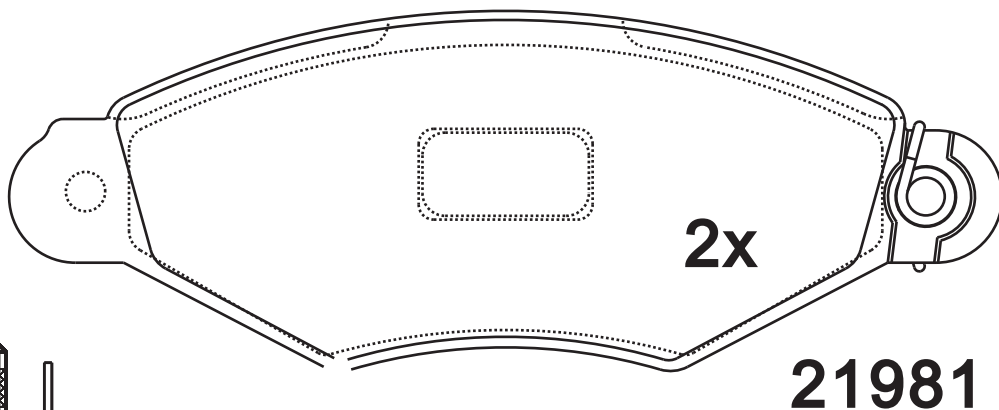
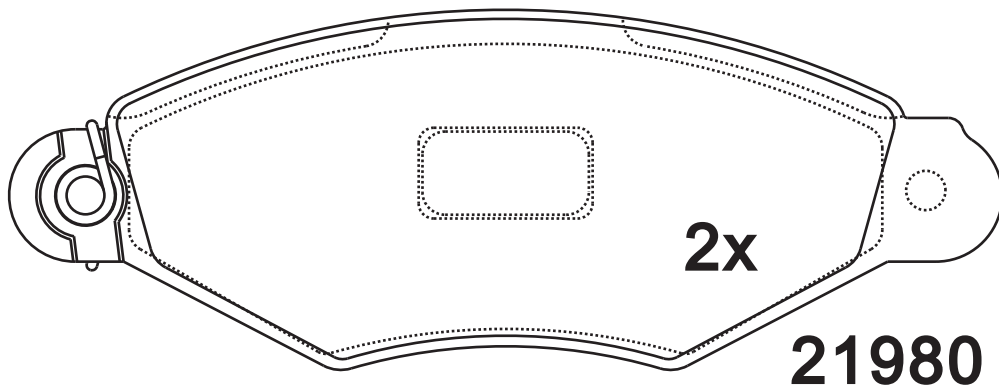
**Thickness
(mm)**

18





NOTE

2 identical ;2 identical ;



Apply for:

Citroen Xsara
Renault Kangoo

SR0009.03	Dimension (mm)	Thickness (mm)		NOTE
	130.9×47.5	18		2 identical ;2 identical ;

SR0009.03取消

SR0009.03=SR0009.02

Apply for:

SR0009.04

**Dimension
(mm)**

130.7×47.2

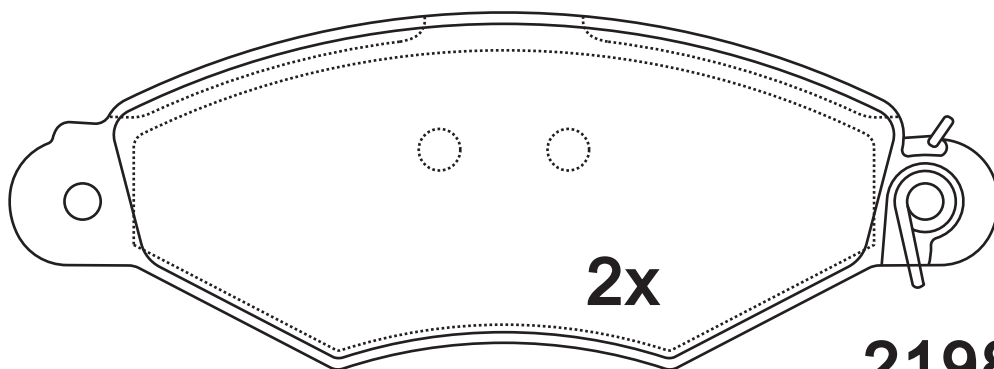
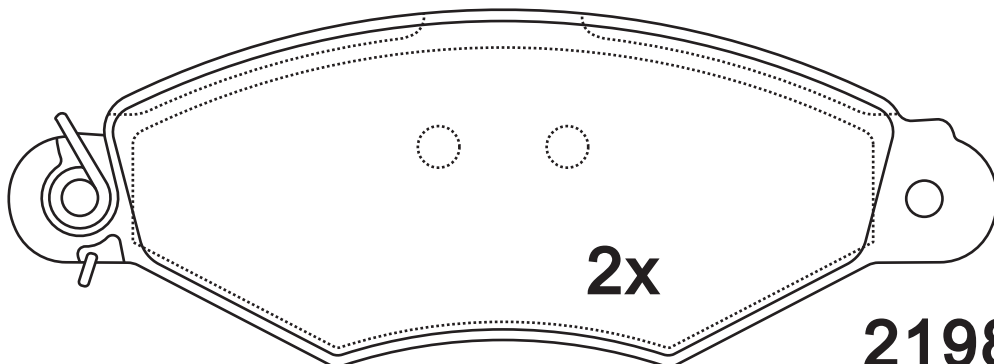
**Thickness
(mm)**

18



NOTE

2 identical with wear warning indicator(right) ;
2 identical with wear warning indicator(left) .



Apply for:

Nissan Kubistar	MPV	04.06-
Nissan Kubistar	Box	04.06-
Renault Kangoo	MPV	08.97-
Renault Kangoo	Box	08.97-

SR0009

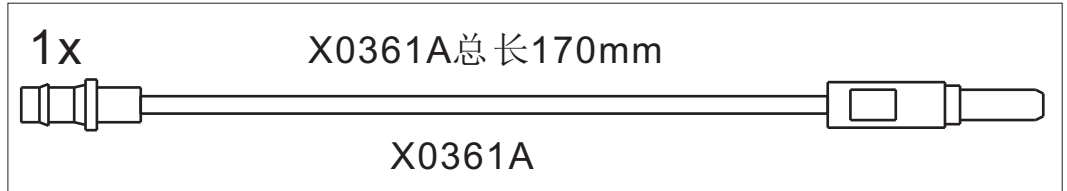
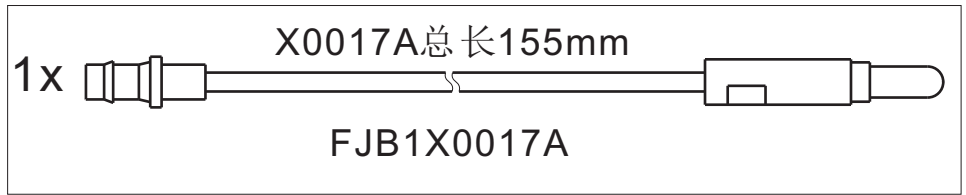
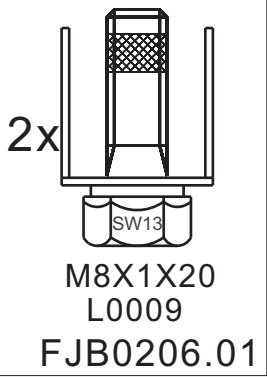
**Dimension
(mm)**

**Thickness
(mm)**



NOTE

**附件包
Accessory bag**



SR0010.01

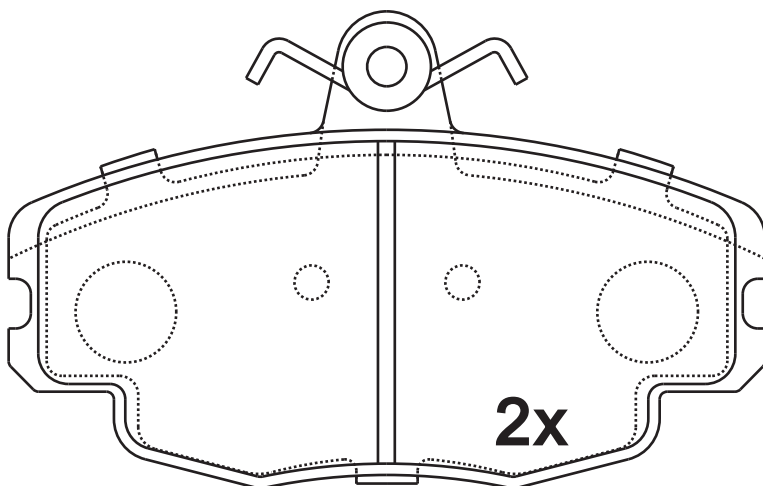
**Dimension
(mm)**

**Thickness
(mm)**



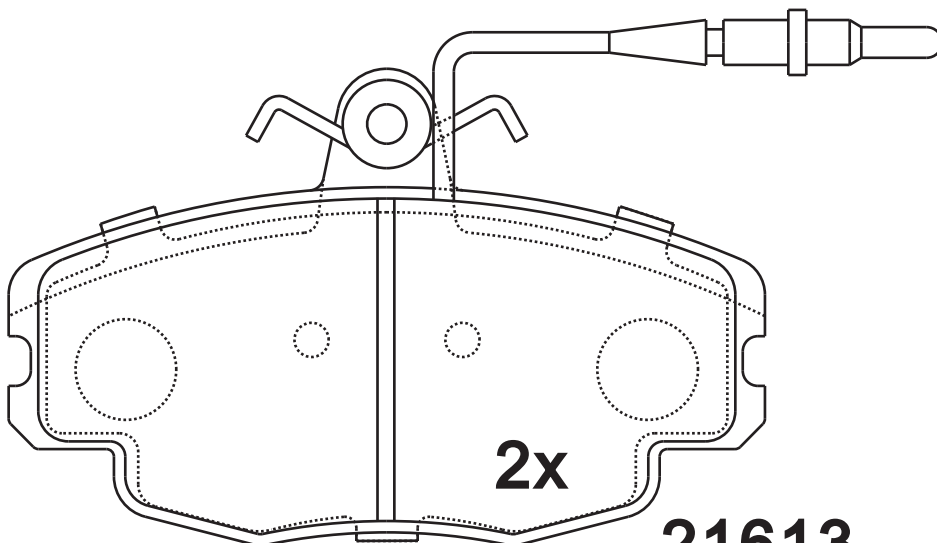
NOTE

**2 identical ;2 identical
with wear contact:
325mm.**



2x

21460



2x

21613

Apply for:

Citroen ZX
Citroen ZX

Hatchback
Estate

03.91-06.94
10.93-02.98

SR0010.02

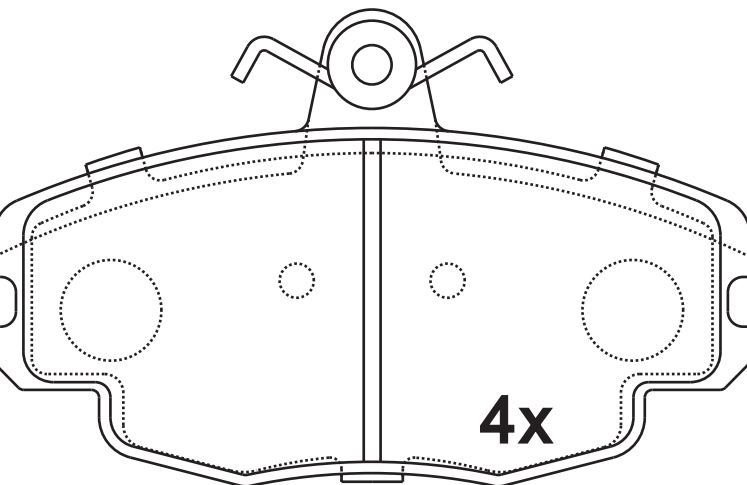
**Dimension
(mm)**

**Thickness
(mm)**



NOTE

4 identical ;



21460

Apply for:

Citroen ZX
Citroen ZX

Hatchback
Estate

03.91-06.94
10.93-02.98

SR0010.03

**Dimension
(mm)**

**Thickness
(mm)**

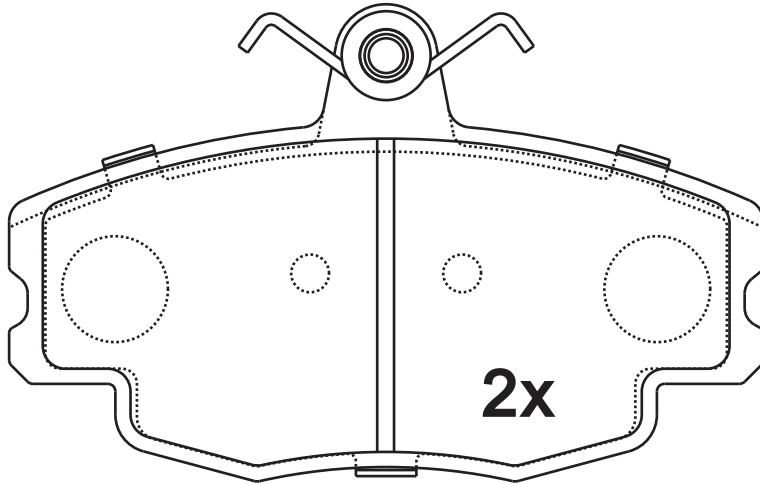


NOTE

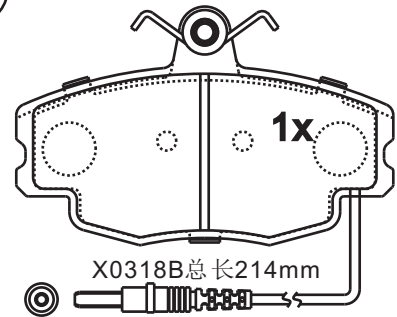
4 identical ;

100×63.5

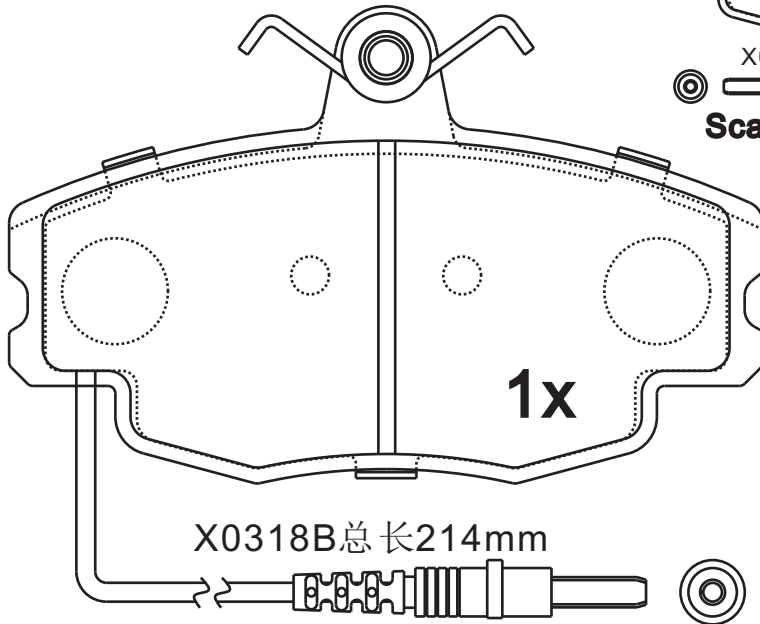
18.0



20772



Scale : 1:2 20937



20938

Apply for:

Citroen ZX
Citroen ZX

Hatchback
Estate

03.91-06.94
10.93-02.98

SR0010.04

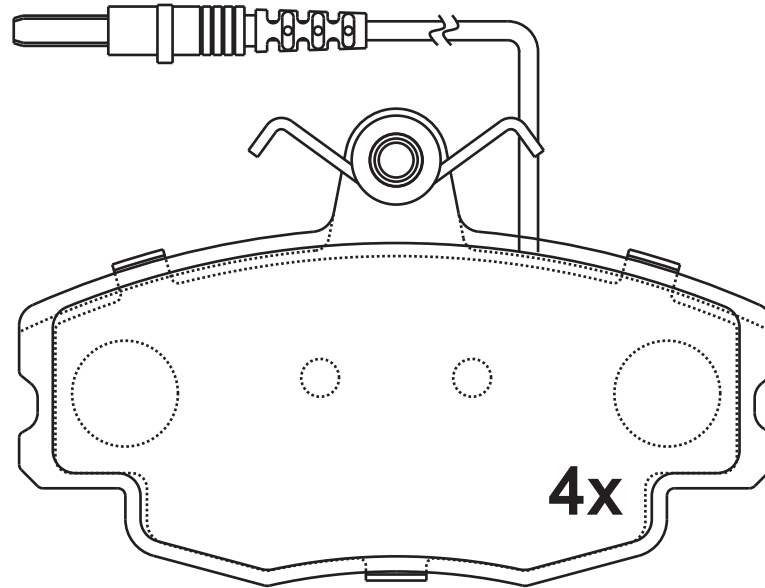
**Dimension
(mm)**

**Thickness
(mm)**



NOTE

4 identical ;



21400

Apply for:

Citroen Zx

Citroen Zx Break

Citroen Fukang Hatchback

Citroen Fukang Saloon

1991/03-1999/07

1993/10-1999/07

1992/02-2005/12

1992/02-2007/01

SR0010

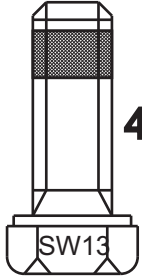
**Dimension
(mm)**

**Thickness
(mm)**



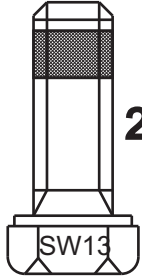
NOTE

附件包
Accessory bag



4x

M8×21
L0010
FJB0025.01



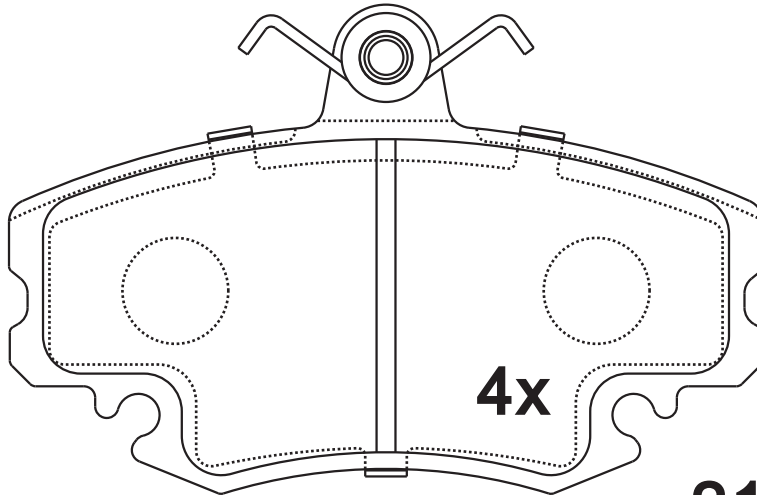
2x

M8×21
L0010
FJB0003.01

SR0011.01**Dimension
(mm)****Thickness
(mm)****NOTE****4 identical ;**

99.7×64.7

18.0

**21463****Apply for:**

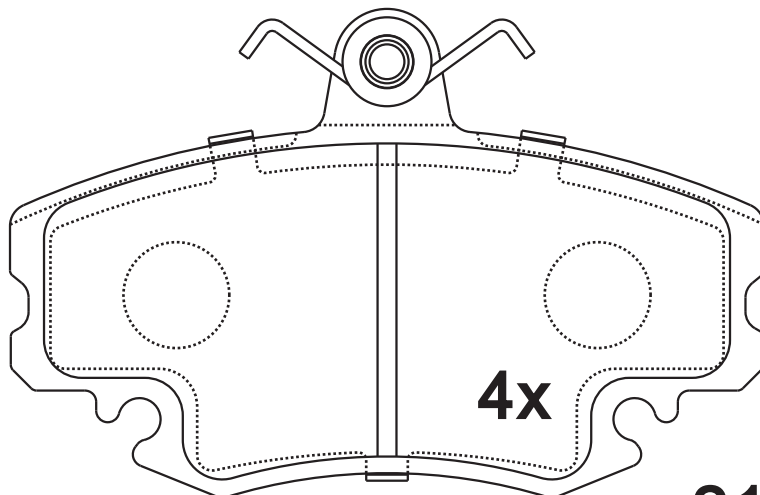
Dacia Logan	Saloon	09.04-
Dacia Logan	Estate	02.07-
Dacia Sandero	Hatchback	06.08-
Renault 11	Hatchback	03.83-12.88
Renault 18	Saloon	04.78-07.86
Renault 18	Estate	05.79-07.86
Renault 19 I	Hatchback	01.88-12.92
Renault 19 I	Convertible	07.91-04.92
Renault 19 I	Saloon	07.88-12.92
Renault 19 II	Hatchback	01.92-12.95
Renault 21	Saloon	03.86-02.94
Renault 21	Estate	03.86-12.93
Renault 25	Hatchback	04.84-12.93
Renault 30	Hatchback	04.84-12.93
Renault 9	Saloon	09.81-12.88
Renault Clio I	Hatchback	05.90-09.98
Renault Clio II	Hatchback	09.98-
Renault Clio II	Box	09.98-
Renault Megane I	Hatchback	01.96-08.03
Renault Megane I	Convertible	10.96-08.03
Renault Megane I	Saloon	09.96-08.03
Renault Megane Scenic	MPV	10.96-10.99
Renault Thalia I	Saloon	04.02-

SR0011.02**Dimension
(mm)**

99.7×64.7

**Thickness
(mm)**

18.0

**NOTE****4 identical with wear
contact:220mm.****21463****2x****Apply for:**

Dacia Logan	Saloon	09.04-
Dacia Logan	Estate	02.07-
Dacia Sandero	Hatchback	06.08-
Renault 11	Hatchback	03.83-12.88
Renault 18	Saloon	04.78-07.86
Renault 18	Estate	05.79-07.86
Renault 19 I	Hatchback	01.88-12.92
Renault 19 I	Convertible	07.91-04.92
Renault 19 I	Saloon	07.88-12.92
Renault 19 II	Hatchback	01.92-12.95
Renault 21	Saloon	03.86-02.94
Renault 21	Estate	03.86-12.93
Renault 25	Hatchback	04.84-12.93
Renault 30	Hatchback	04.84-12.93
Renault 9	Saloon	09.81-12.88
Renault Clio I	Hatchback	05.90-09.98
Renault Clio II	Hatchback	09.98-
Renault Clio II	Box	09.98-
Renault Megane I	Hatchback	01.96-08.03
Renault Megane I	Convertible	10.96-08.03
Renault Megane I	Saloon	09.96-08.03
Renault Megane Scenic	MPV	10.96-10.99
Renault Thalia I	Saloon	04.02-

SR0011

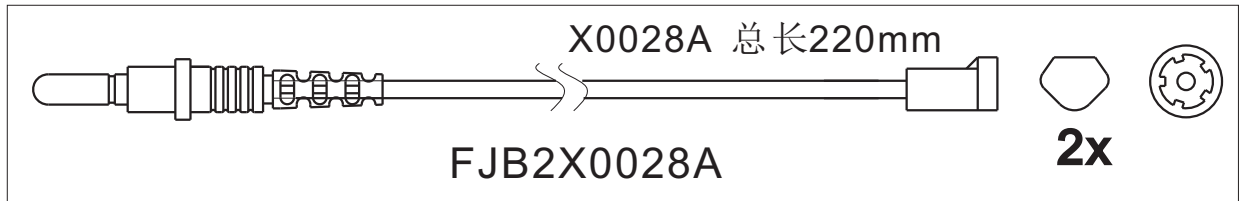
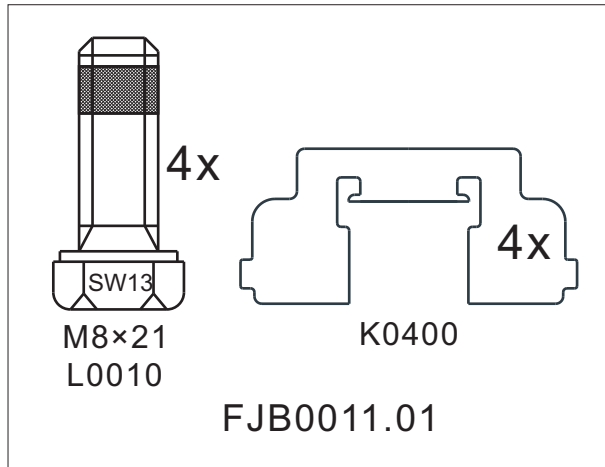
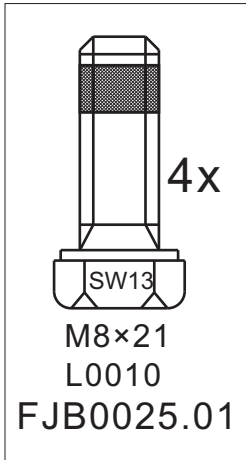
**Dimension
(mm)**

**Thickness
(mm)**



NOTE

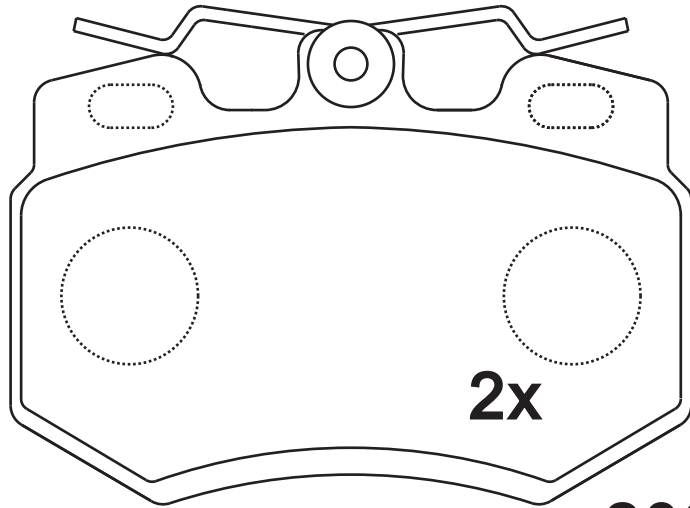
附件包
Accessory bag



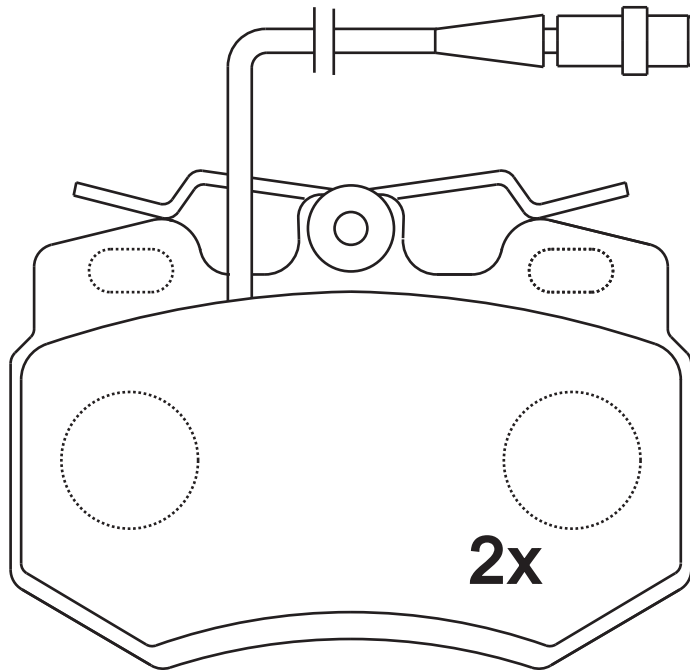
SR0012.01

Dimension (mm)	Thickness (mm)	
90×62.9	17.7	

NOTE
4 identical, 2 with warn contacts.



20989



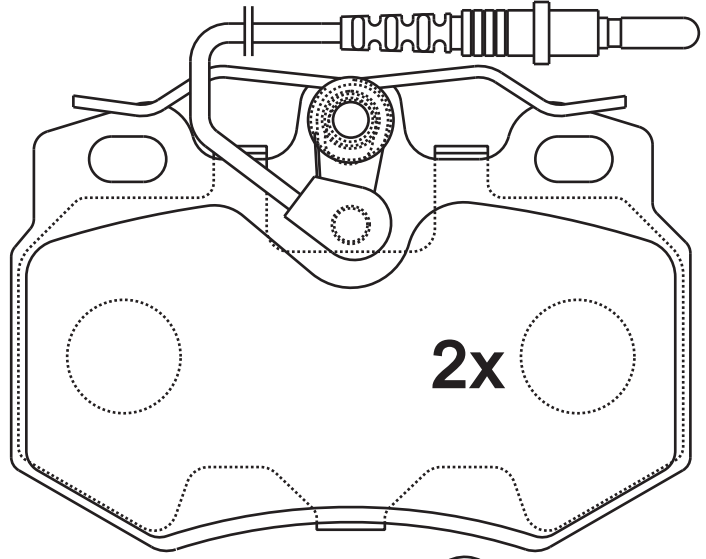
Apply for:

Citroen C15	Box	07.86-12.00
Citroen C15	Estate	04.87-08.00
Peugeot 205I	Convertible	04.86-12.94
Peugeot 205II	Hatchback	07.87-09.98

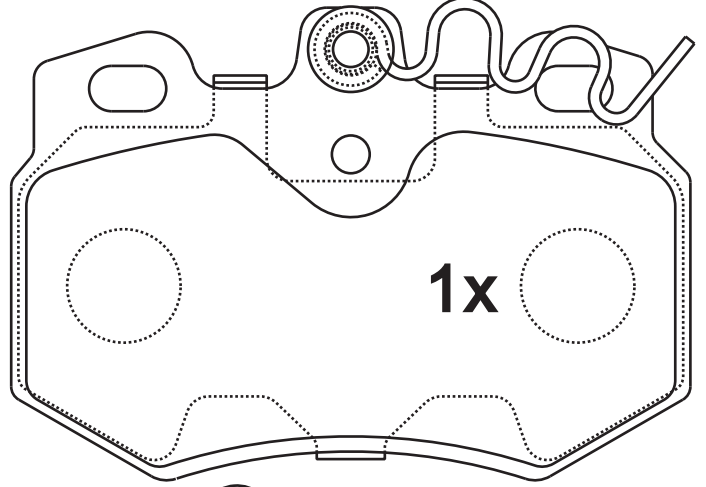
SR0012.02

Dimension (mm)	Thickness (mm)	
89.8×62.5	17.7	

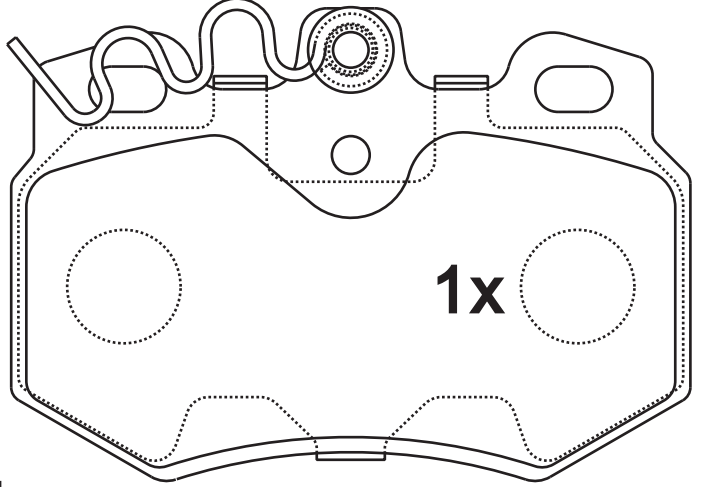
NOTE
4 identical, 2 with warn contacts.



20989



21022



21023

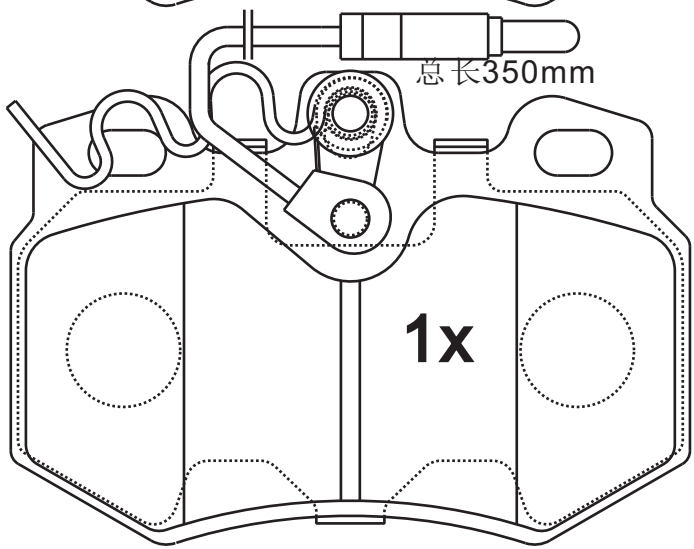
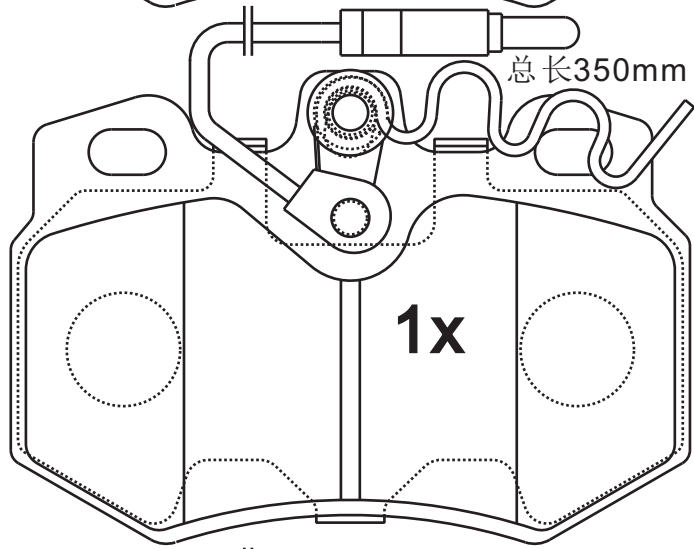
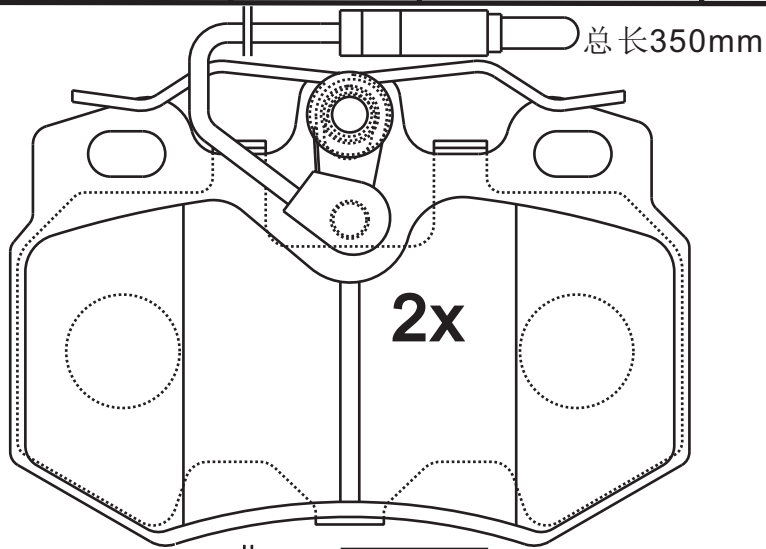
Apply for:

Citroen C15	Box	07.86-12.00
Citroen C15	Estate	04.87-08.00
Peugeot 205I	Convertible	04.86-12.94
Peugeot 205II	Hatchback	07.87-09.98

SR0012.03

Dimension (mm)	Thickness (mm)	
89.8×62.5	17.7	

NOTE
4 identical, 4 with warn contacts.



Apply for:

- Citroen Ax
- Citroen C15
- Peugeot 205 Box
- Wuling Dragon Lz Pickup
- 版次: A/3

36547

- 1986/07-1998/12
- 1984/10-2006/10
- 1990/08-1997/05
- 1998/08-

SR0013.01**Dimension
(mm)**

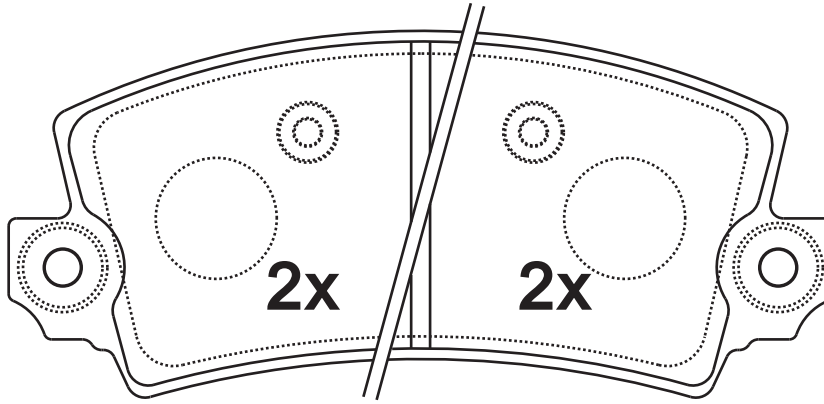
108.8×49.3

**Thickness
(mm)**

14

**NOTE**

2 identical with prepare
for wear indicator(right);
2 identical withprepare
for wear indicator(left).

**20140****20141****Apply for:**

Alpine A310	Coupe	01.70-12.84
Citroen Visa	Convertible	03.83-10.88
Peugeot 104	Saloon	10.72-06.88
Peugeot 104	Coupe	09.73-06.88
Peugeot 304	Saloon	10.69-10.79
Peugeot 304	Break	09.70-10.80
Peugeot 305I	Saloon	11.77-09.82
Renault 4	Saloon	04.62-12.93
Renault 4	Box	09.66-12.93
Renault 5	Saloon	01.72-12.85
Renault 12	Estate	10.70-08.80
Renault 12	Saloon	10.69-08.80
Renault 17	Coupe	03.72-10.80
Renault 20	Hatchback	10.75-12.83
Renault 14	Saloon	05.76-12.83

SR0013.02

**Dimension
(mm)**

108.8×49.3

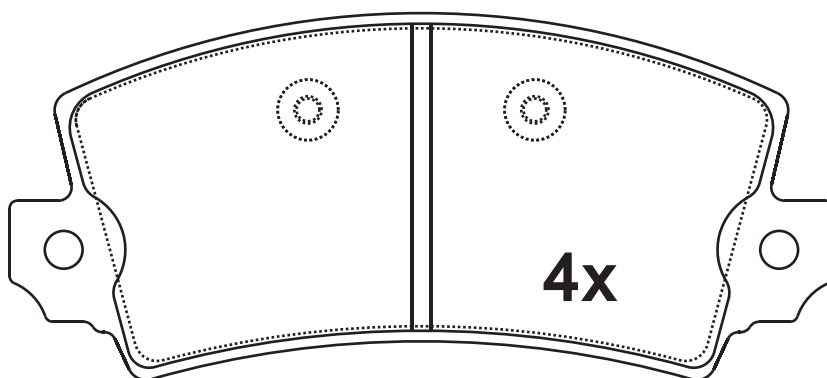
**Thickness
(mm)**

16



NOTE

4 identical ;



20247

Apply for:

Citroen Lna

Citroen Visa Convertible

Peugeot 304

Renault 14



1976/11-1986/10

1983/03-1988/10

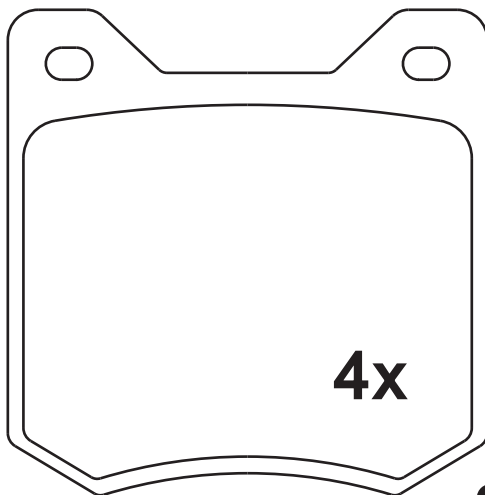
1969/10-1979/10

1976/05-1983/12

SR0014.01

Dimension (mm)	Thickness (mm)	
63.4×64.2	16.3	

NOTE
4 identical ;




20161

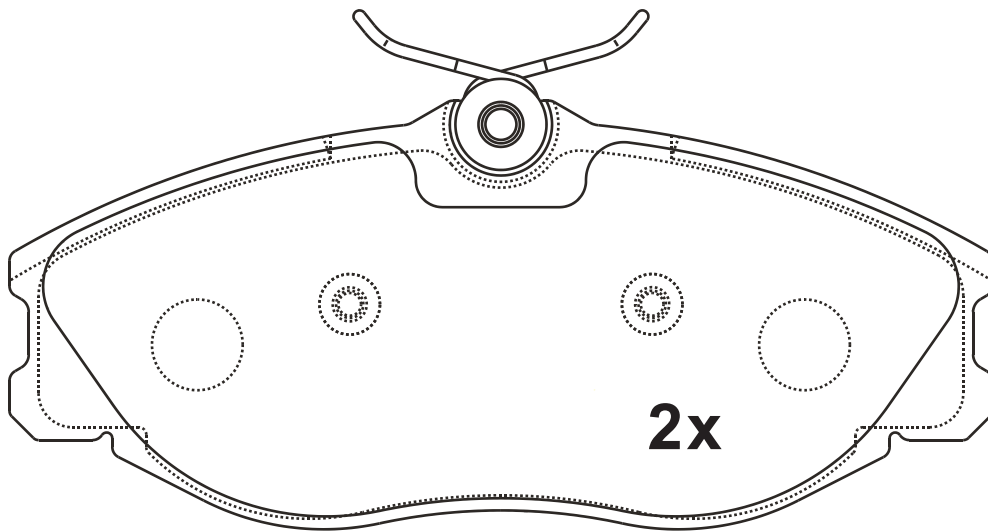
Apply for:

Peugeot 204	Saloon	10.65-07.77
Peugeot 204	Coupe	05.69-05.70
Peugeot 204	Convertible	01.67-10.70
Peugeot 204	Estate	1969-1977
Peugeot 304	Saloon	1969-1979
Peugeot 304	Estate	1970-1980
Peugeot 304	Convertible	1970-1976
Peugeot 304	Coupe	1970-1975

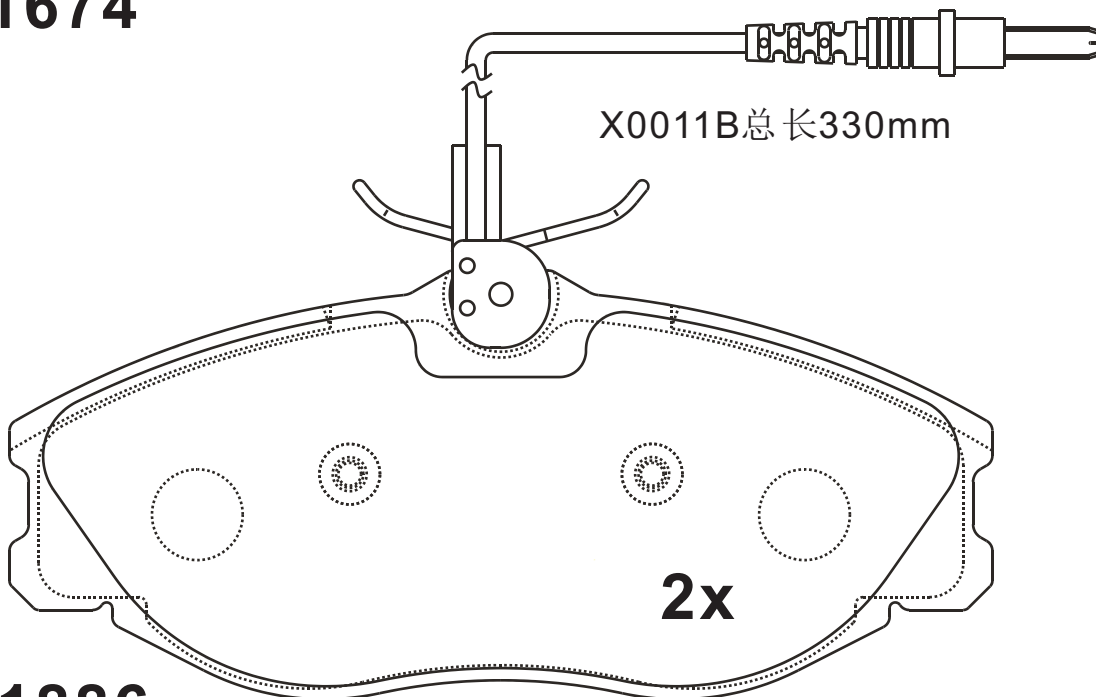
SR0015.01

Dimension (mm)	Thickness (mm)	
130×56.6	19	

NOTE
2 identical ;2 identical with wear contact: 330mm;



21674





21886

Apply for:

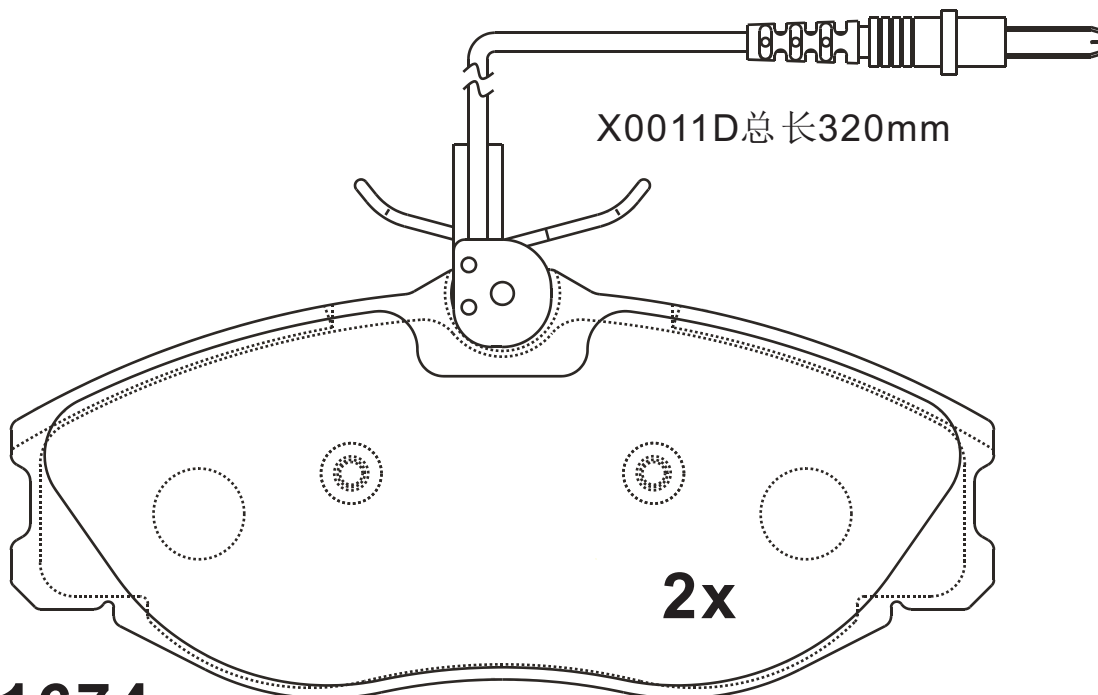
Citroen Xsara	Hatchback	04.97-03.05
Citroen Xsara	Estate	09.00-08.05
Citroen Xsara	Coupe	02.98-03.05
Citroen ZX	Hatchback	05.96-10.97
Peugeot 306	Hatchback	05.93-05.01
Peugeot 406	Saloon	11.95-05.04
Peugeot 406	Estate	10.00-10.04
Peugeot 406	Coupe	03.97-12.04

SR0015.02

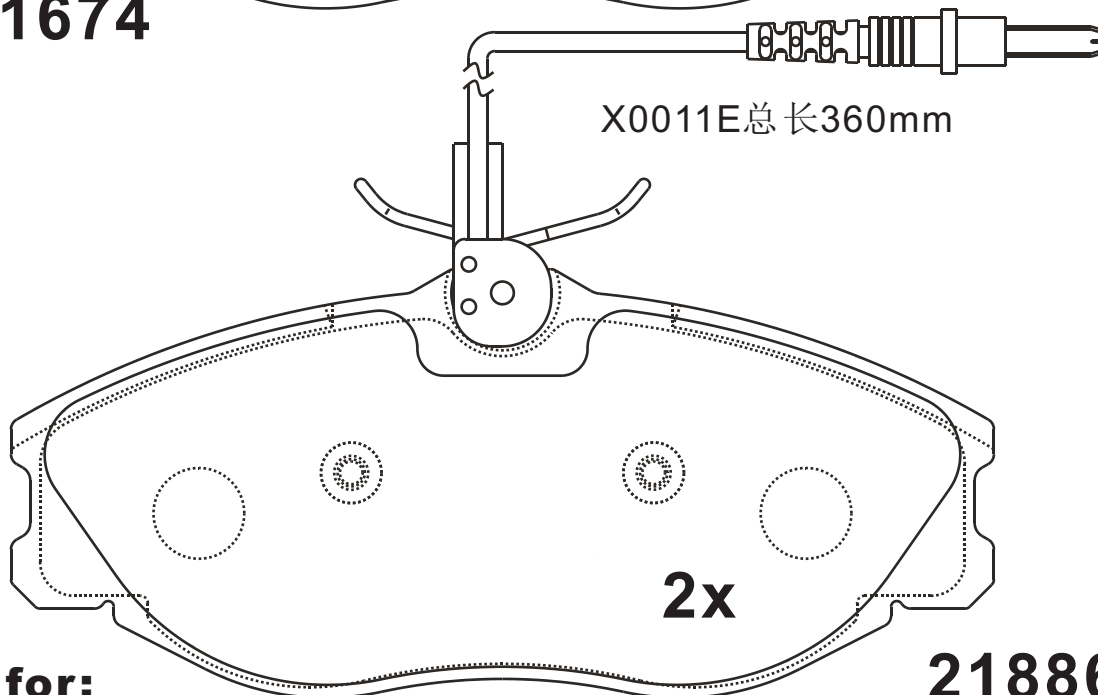
Dimension (mm)	Thickness (mm)	
130×56.7	19	

NOTE

2 identical with wear contact:360mm;2 identical with wear contact:320mm;



21674



21886

Apply for:

Citroen Xsara	Hatchback	04.97-03.05
Citroen Xsara	Estate	09.00-08.05
Citroen Xsara	Coupe	02.98-03.05
Citroen ZX	Hatchback	05.96-10.97
Peugeot 306	Hatchback	05.93-05.01
Peugeot 406	Saloon	11.95-05.04
Peugeot 406	Estate	10.00-10.04
Peugeot 406	Coupe	03.97-12.04

SR0015

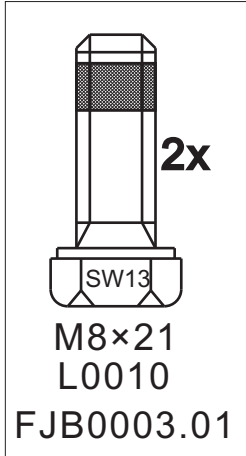
**Dimension
(mm)**

**Thickness
(mm)**



NOTE

附件包
Accessory bag



SR0016.01

**Dimension
(mm)**

130.2×53

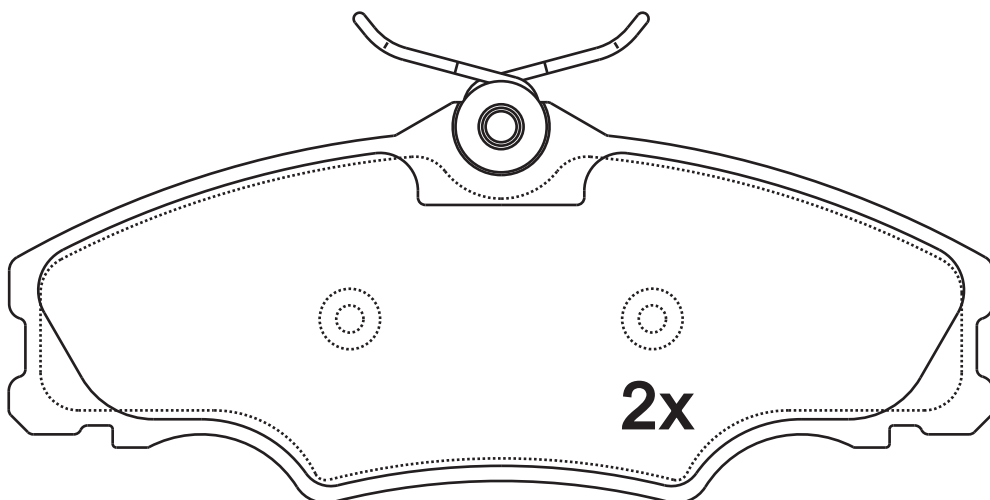
**Thickness
(mm)**

19.3

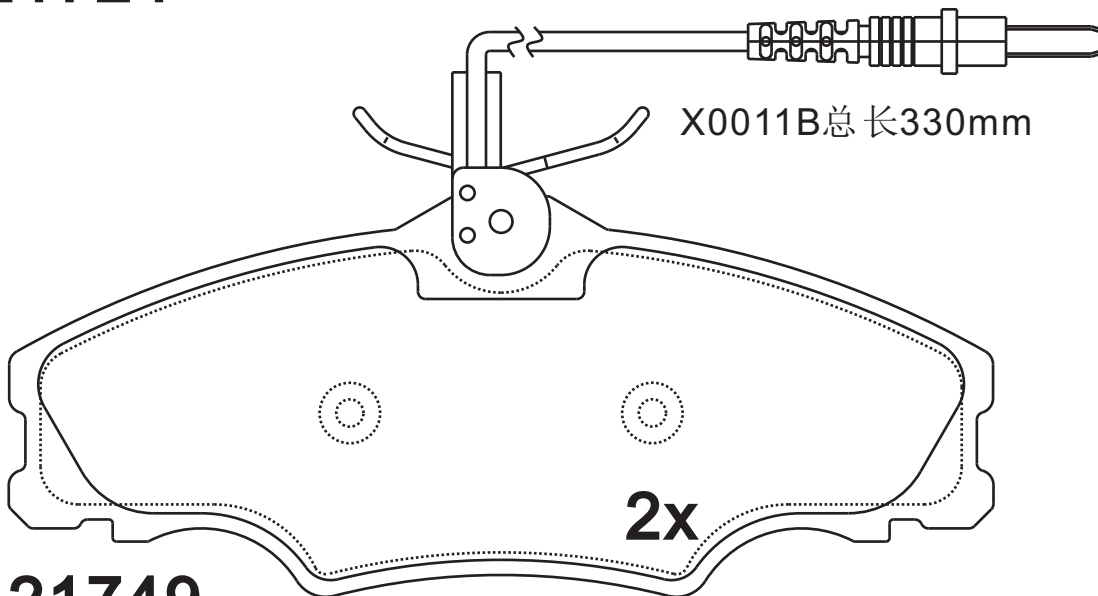


NOTE

**2 identical ;2 identical
with wear contact:
330mm**



21724



21749

Apply for:

Peugeot 406
Peugeot 406

Saloon
Break

10.95-05.04
10.96-10.04

SR0016.02

**Dimension
(mm)**

130.2×53

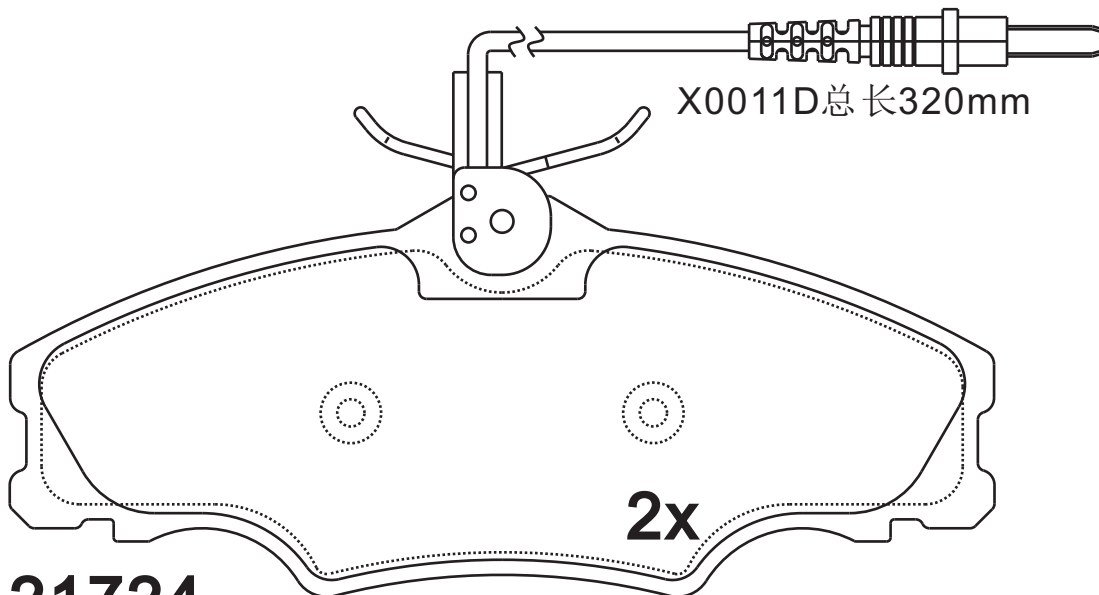
**Thickness
(mm)**

19.3

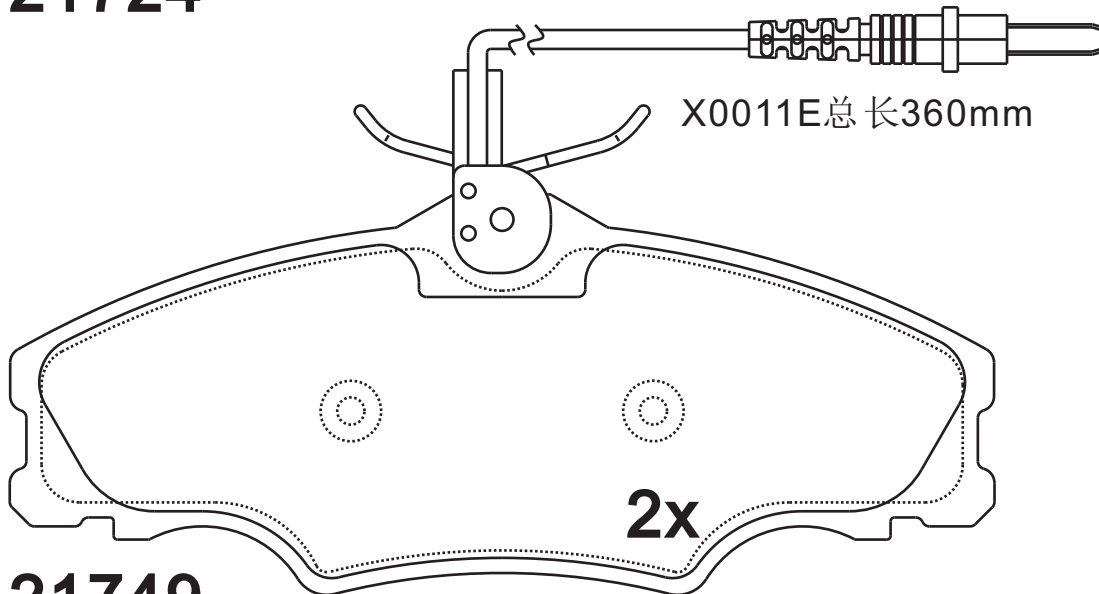


NOTE

**4 identical with wear
contact:330mm**



21724



21749

Apply for:

Peugeot 406
Peugeot 406

Saloon
Break

10.95-05.04
10.96-10.04

SR0016

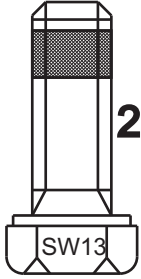
**Dimension
(mm)**

**Thickness
(mm)**



NOTE

附件包
Accessory bag



2x

M8×21
L0010
FJB0003.01

SR0017.01

**Dimension
(mm)**

**Thickness
(mm)**

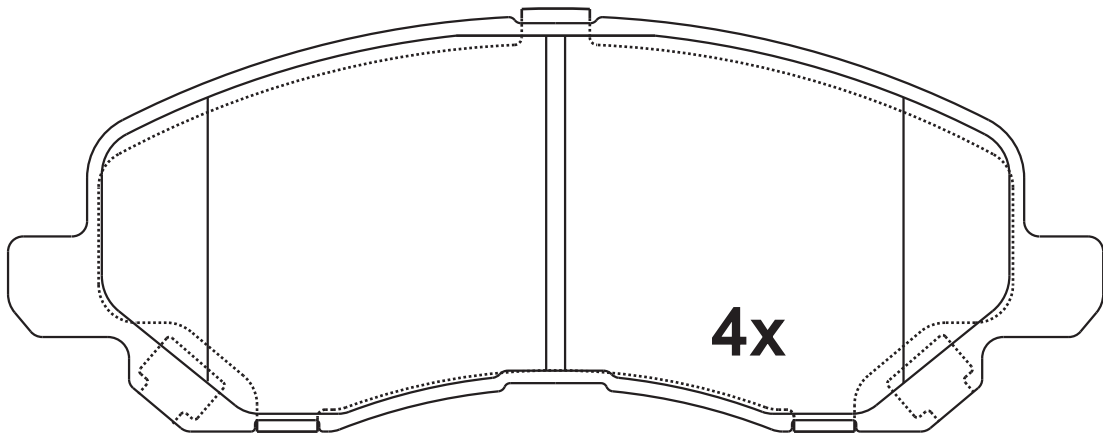


NOTE

4 identical;

144.8×54.8

16.4



23584



2x

Apply for:

Chrysler Sebring	Saloon	07.07-12.10
Chrysler Sebring	Convertible	07.07-12.10
Jeep Compass	Closed off-Road	08.06-
Mitsubishi ASX	Closed off-Road	02.10-
Mitsubishi Lancer	Saloon	09.03-
Mitsubishi Lancer	Estate	09.03-12.08
Mitsubishi Lancer	Hatchback	06.08-
Mitsubishi Outlander III	Closed off-Road	10.12-

SR0017

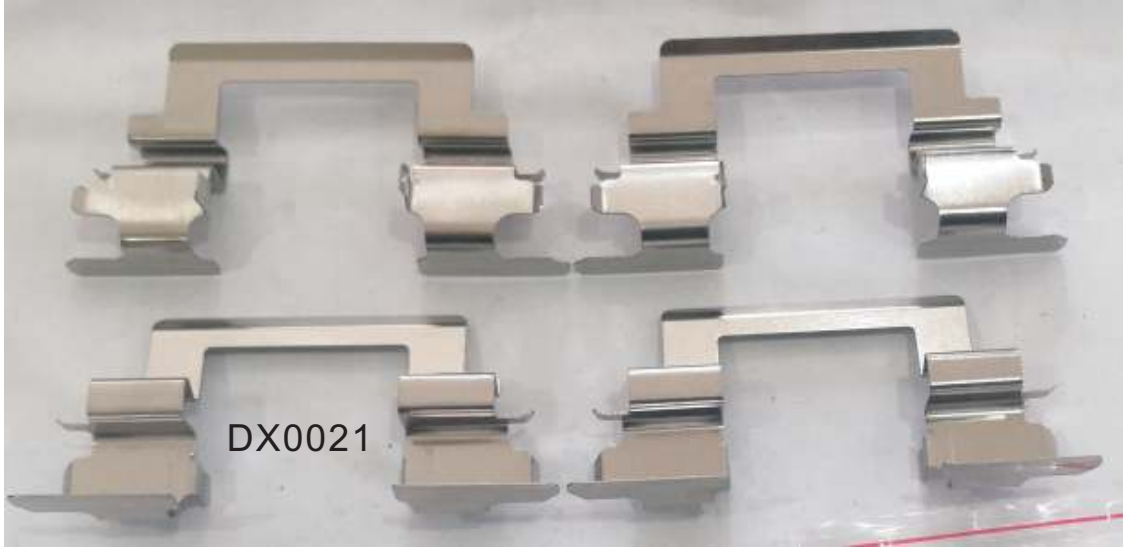
**Dimension
(mm)**

**Thickness
(mm)**



NOTE

附件包
Accessory bag



DX0021

FJB0017.01

SR0018.01**Dimension
(mm)**

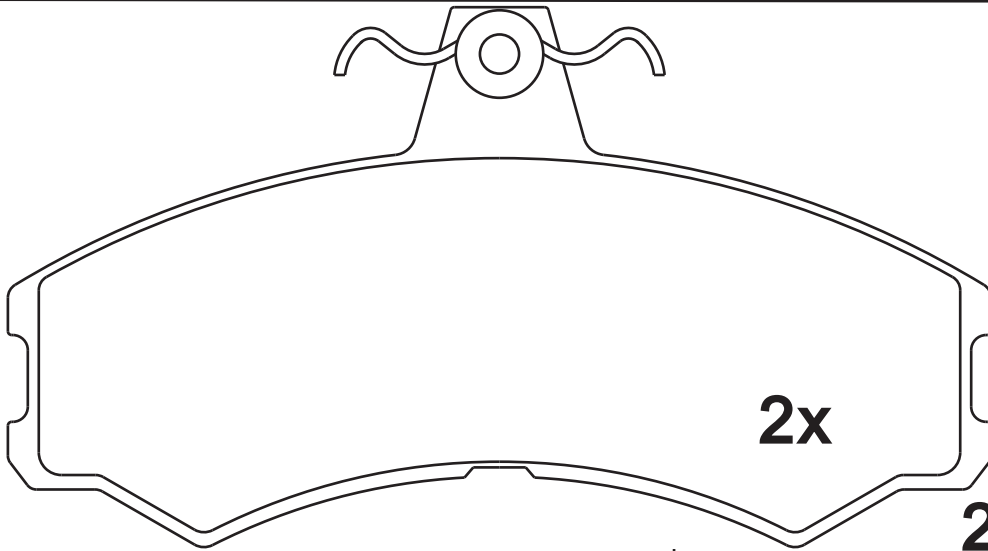
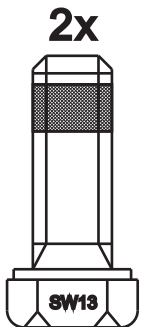
130×71.4

**Thickness
(mm)**

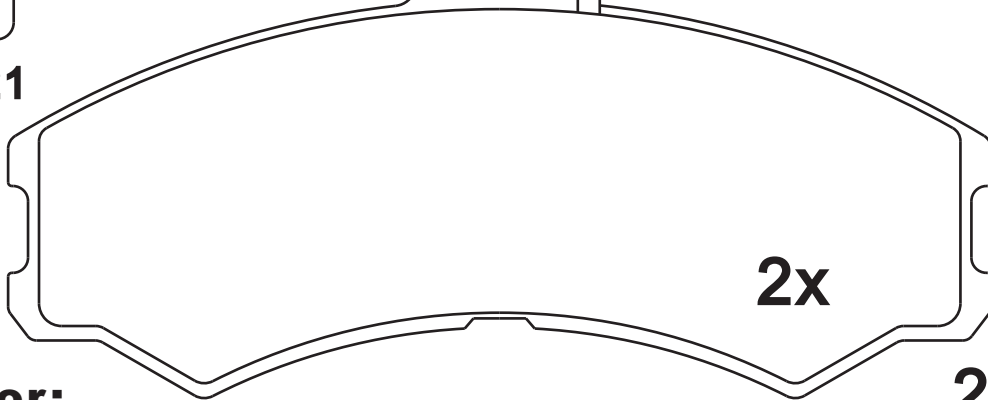
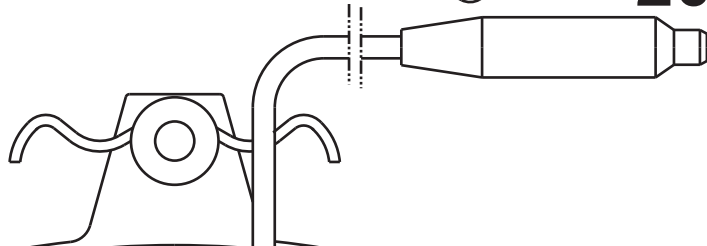
19

**NOTE**

**2 identical; 2 identical
with wear contact:
120mm.**

**2x****20741****2x**

SW13

M8×21**2x****20787****Apply for:**

Alfa AR6	Bus	04.85-12.89
Citroen C25	Box	07.81-03.94
Citroen C25	Bus	07.81-02.94
Citroen C25	Platform	07.81-03.94
Fiat Ducato	Box	01.82-05.94
Fiat Ducato	Bus	07.82-03.94
Fiat Ducato	Platform	07.82-05.94
Fiat Talento	Box	03.89-03.94
Fiat Talento	Bus	03.89-03.94
Fiat Talento	Platform	03.89-03.94
Fiat J5	Box	09.81-03.94
Fiat J5	Bus	09.81-03.94
Fiat J5	Platform	09.81-03.94

SR0018.02

**Dimension
(mm)**

**Thickness
(mm)**

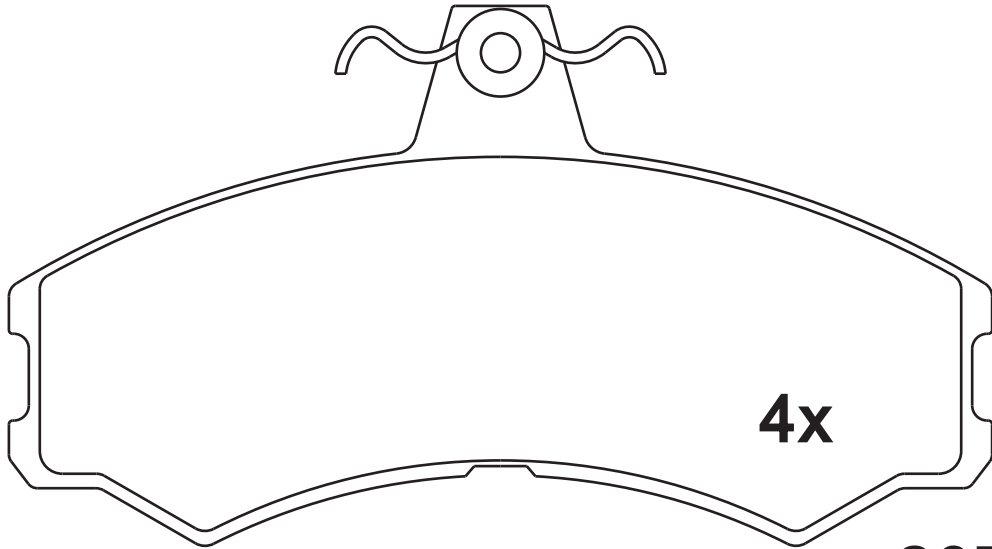


NOTE

4 identical;

130×71.4

15



20741

Apply for:

Alfa AR6	Bus	04.85-12.89
Citroen C25	Box	07.81-03.94
Citroen C25	Bus	07.81-02.94
Citroen C25	Platform	07.81-03.94
Fiat Ducato	Box	01.82-05.94
Fiat Ducato	Bus	07.82-03.94
Fiat Ducato	Platform	07.82-05.94
Fiat Talento	Box	03.89-03.94
Fiat Talento	Bus	03.89-03.94
Fiat Talento	Platform	03.89-03.94
Fiat J5	Box	09.81-03.94
Fiat J5	Bus	09.81-03.94
Fiat J5	Platform	09.81-03.94

SR0019.01

**Dimension
(mm)**

**Thickness
(mm)**

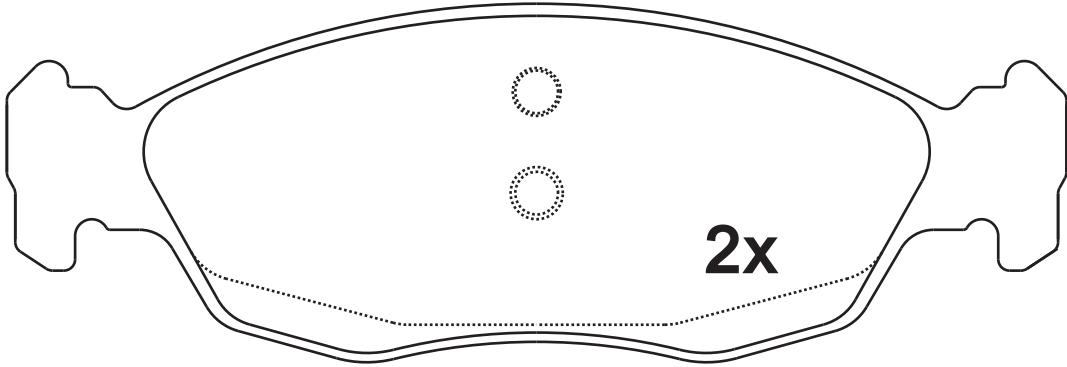


NOTE

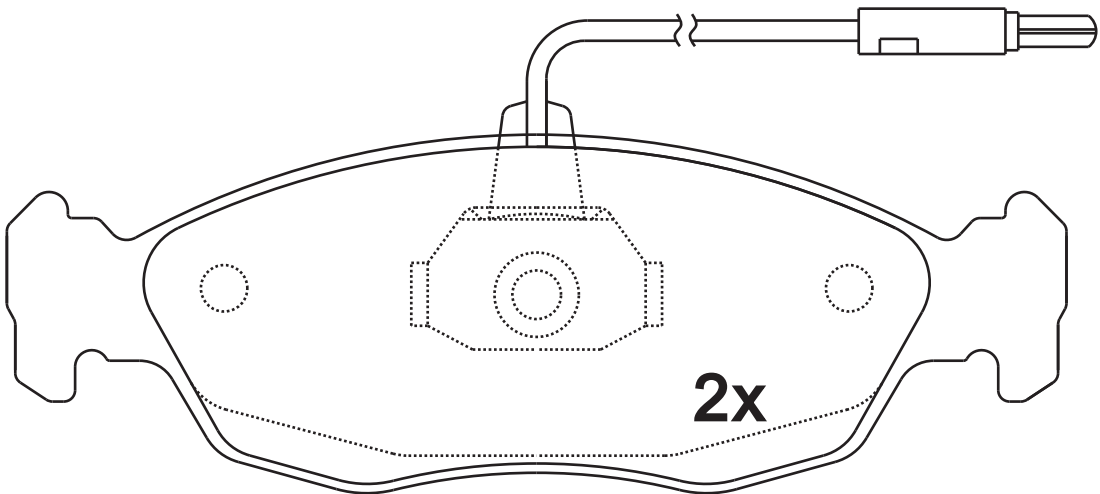
**2 identical; 2 identical
with wear contact:
271mm.**

141.3/140.1×47.4

17.3



21430



21432

Apply for:

Peugeot 205II
Peugeot 306
Peugeot 306
Peugeot 306

Hatchback
Saloon
Convertible
Hatchback

08.90-09.98
06.94-05.01
03.94-04.02
05.93-05.01

SR0019.02

**Dimension
(mm)**

**Thickness
(mm)**

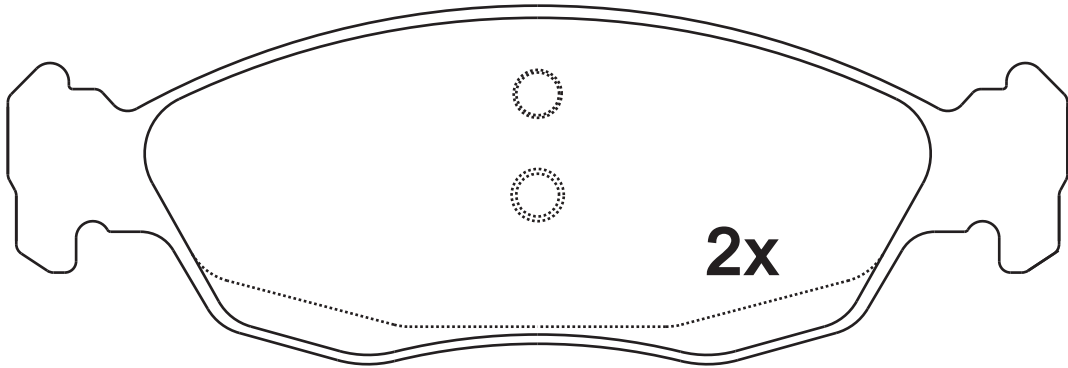


NOTE

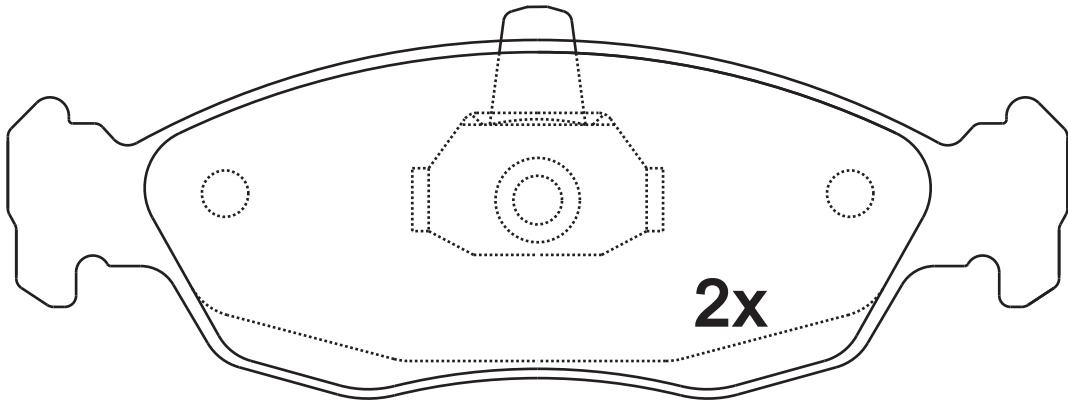
**2 identical; 2 identical
with spring.**

141.3/140.1×47.4

17.3



21430



21432

Apply for:

Peugeot 205II

Hatchback

08.90-09.98

Peugeot 306

Saloon

06.94-05.01

Peugeot 306

Convertible

03.94-04.02

Peugeot 306

Hatchback

05.93-05.01

SR0019

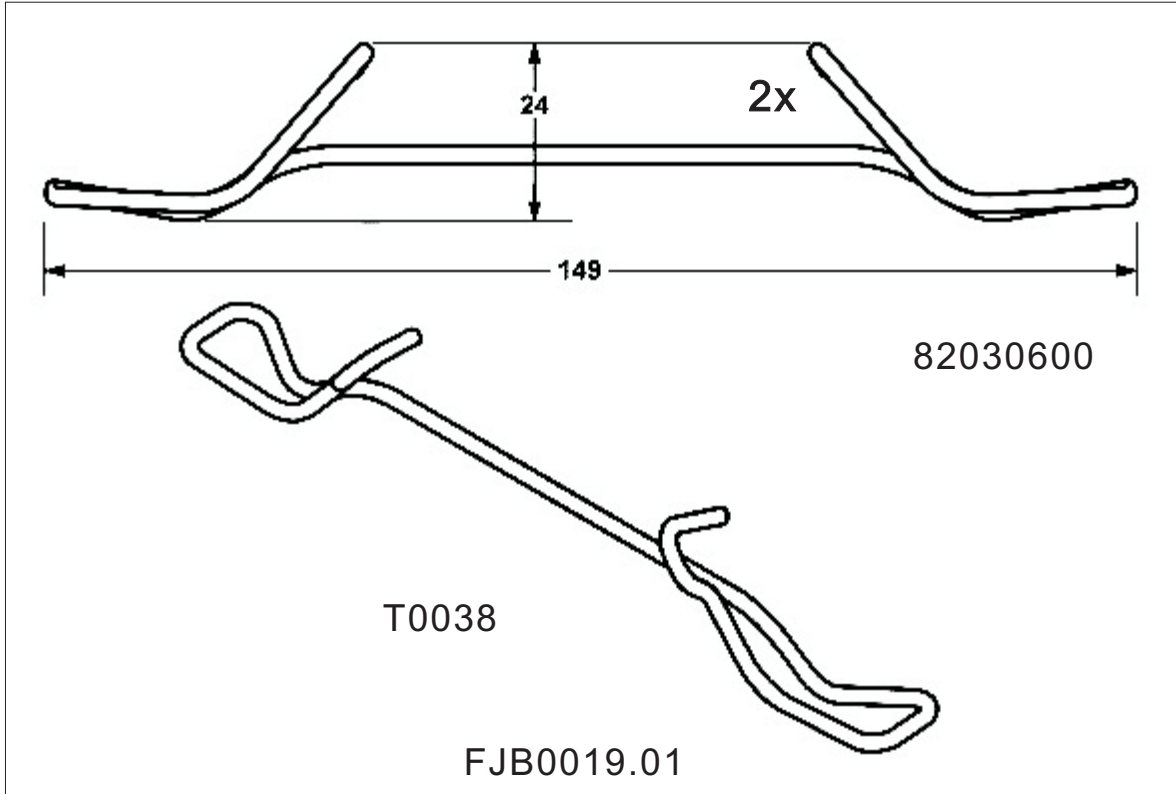
**Dimension
(mm)**

**Thickness
(mm)**



NOTE

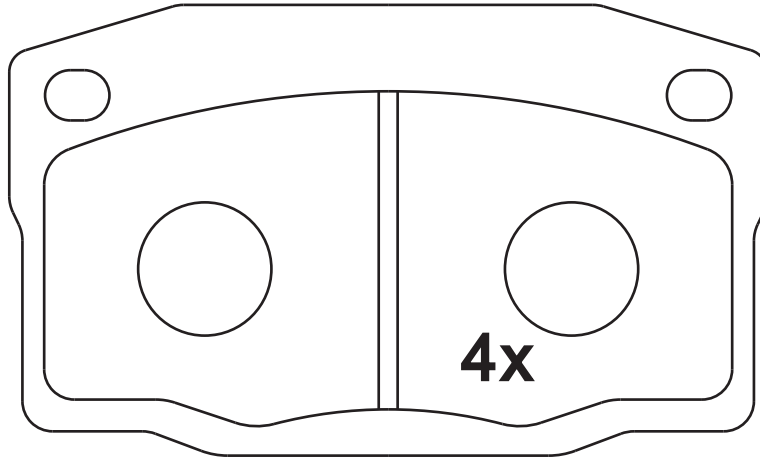
附件包
Accessory bag



SR0020.01**Dimension
(mm)****Thickness
(mm)****NOTE****4 identical;**

100.2×58.9

15

**无模具****20514****Apply for:**

Opel Ascona B	Saloon	09.75-08.81
Opel Ascona C	Saloon	09.81-10.88
Opel Ascona C	Hatchback	09.81-08.88
Opel Corsa A	Box	02.86-09.94
Opel Kadett D	Estate	08.79-08.84
Opel Kadett E	Saloon	09.84-08.91
Opel Kadett E	Combo	01.86-07.94
Opel Manta B	Saloon	09.75-08.88
Opel Omega A	Saloon	08.77-08.86
Opel Rekord	Estate	08.77-08.86
Opel Vectra A	Saloon	08.88-11.95
Opel Rekord D	Estate	09.75-08.77
Opel Rekord E	Saloon	09.77-08.86
Opel Rekord E	Estate	09.77-08.86

SR0020.02

**Dimension
(mm)**

**Thickness
(mm)**

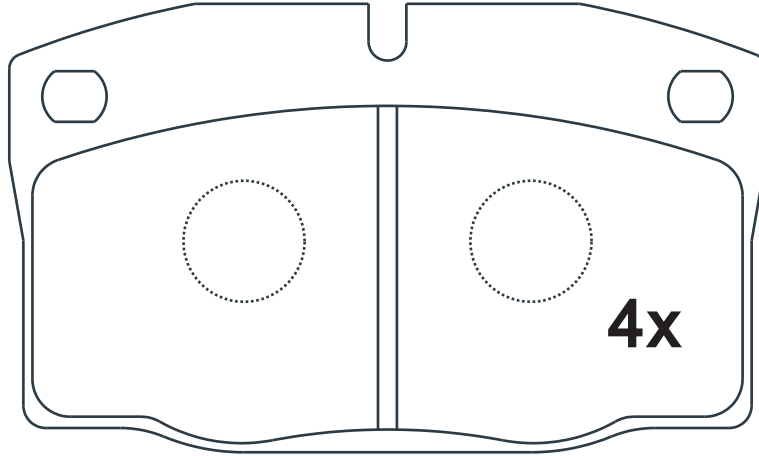


NOTE

4 identical;

100.2×58.9

15



21057

Apply for:
Daewoo Nexia

1995/02-1997/08

SR0021.01**Dimension
(mm)**

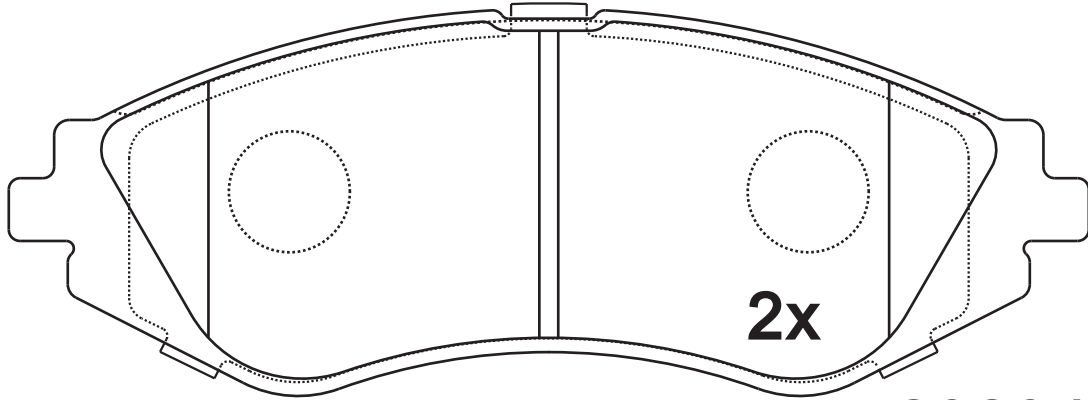
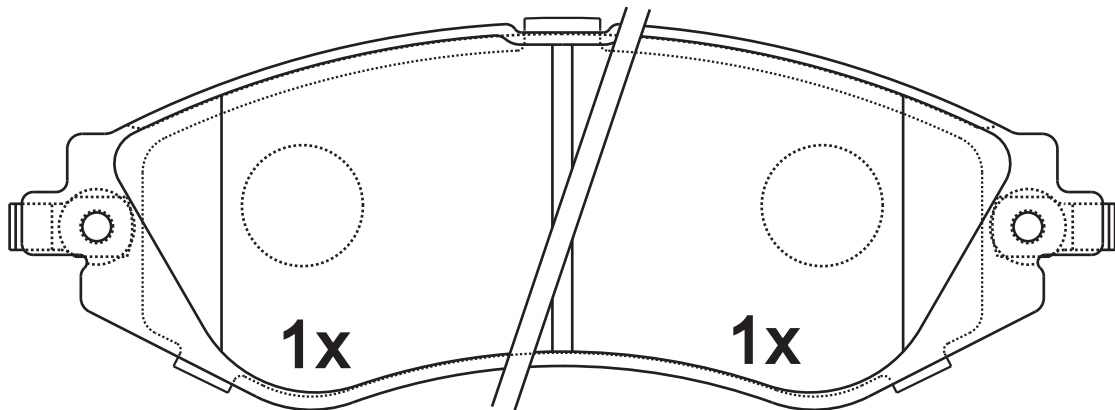
142.9×51.3

**Thickness
(mm)**

16.8

**NOTE**

**2 identical; 2 identical,
1 with acoustic indicator
(right), 1 with acoustic
indicator(left).**

**2x****23234****1x****1x****23236****23235****Apply for:**

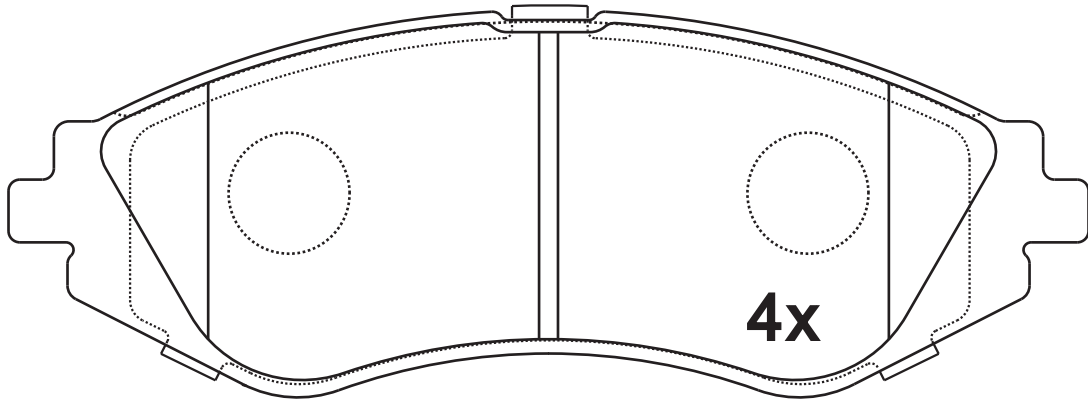
Daewoo Nubira	Saloon	06.99-
Daewoo Nubira	Wagon	07.03-
Daewoo Evanda	Saloon	07.03-
Daewoo Leganza	Saloon	06.97-
Daewoo Magnus	Saloon	07.99-
Daewoo Rezzo	MPV	09.00-
Chevrolet Epica	Saloon	01.05-12.06
Chevrolet Nubira	Estate	03.05-
Chevrolet Nubira	Saloon	03.05-
Chevrolet Rezzo	MPV	03.05-

SR0021.02**Dimension
(mm)**

142.9×51.3

**Thickness
(mm)**

16.8

**NOTE****4 identical;****23234****Apply for:**

Daewoo Nubira	Saloon	06.99-
Daewoo Nubira	Wagon	07.03-
Daewoo Evanda	Saloon	07.03-
Daewoo Leganza	Saloon	06.97-
Daewoo Magnus	Saloon	07.99-
Daewoo Rezzo	MPV	09.00-
Chevrolet Epica	Saloon	01.05-12.06
Chevrolet Nubira	Estate	03.05-
Chevrolet Nubira	Saloon	03.05-
Chevrolet Rezzo	MPV	03.05-

SR0021.03**Dimension
(mm)**

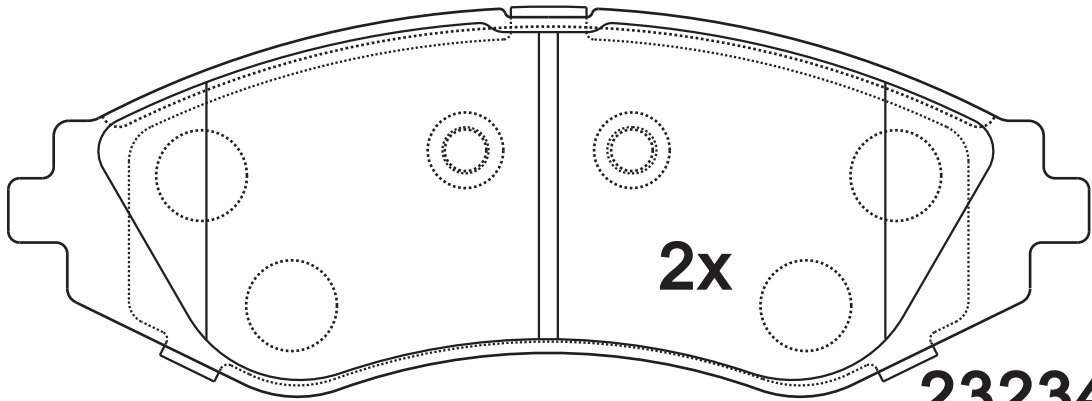
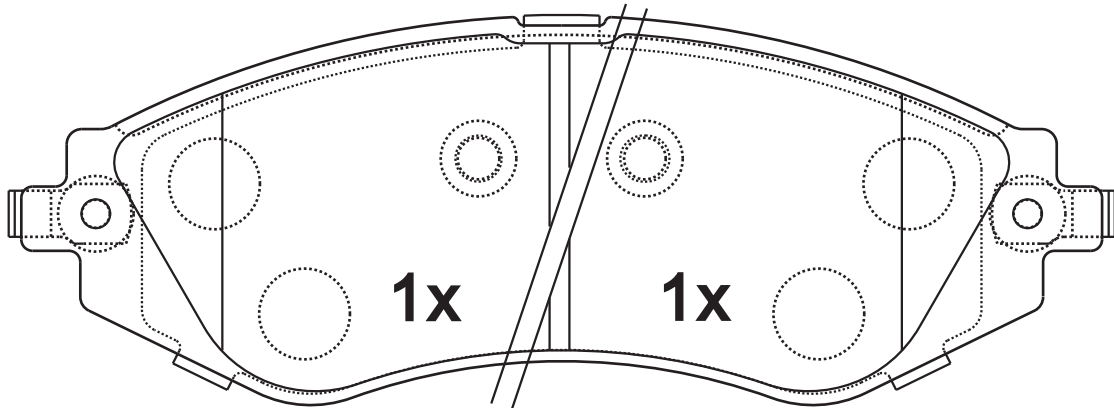
143×51.2

**Thickness
(mm)**

16.8

**NOTE**

2 identical;2 identical,
1 with acoustic indicator
(right),1 with acoustic
indicator(left).

**23234****23236****23235****Apply for:**

Daewoo Nubira	Saloon	06.99-
Daewoo Nubira	Wagon	07.03-
Daewoo Evanda	Saloon	07.03-
Daewoo Leganza	Saloon	06.97-
Daewoo Magnus	Saloon	07.99-
Daewoo Rezzo	MPV	09.00-
Chevrolet Epica	Saloon	01.05-12.06
Chevrolet Nubira	Estate	03.05-
Chevrolet Nubira	Saloon	03.05-
Chevrolet Rezzo	MPV	03.05-

SR0021

**Dimension
(mm)**

**Thickness
(mm)**



NOTE

**附件包
Accessory bag**



82508400

K0401

FJB0021.01

SR0022.01

**Dimension
(mm)**

127.7×56.6

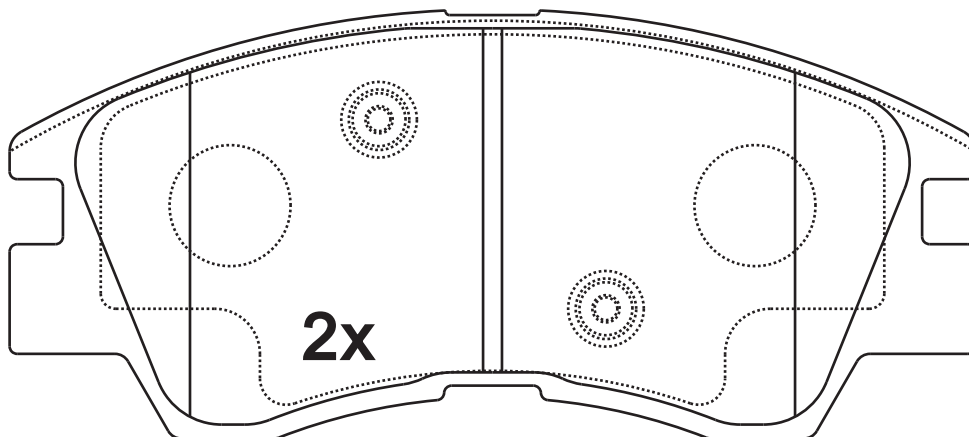
**Thickness
(mm)**

16.5

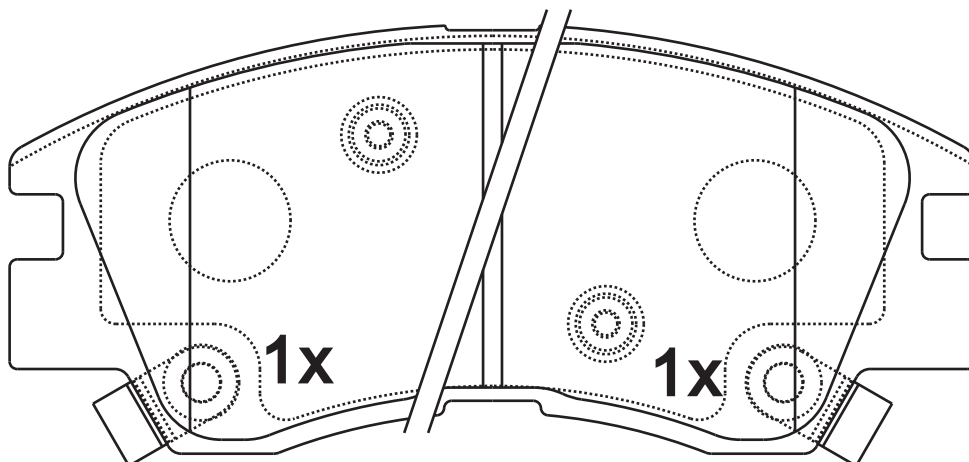


NOTE

2 identical; 2 identical, 1 with ascoustic indicator (right), 1 with ascoustic indicator (left).



21375



21373

21374

Apply for:

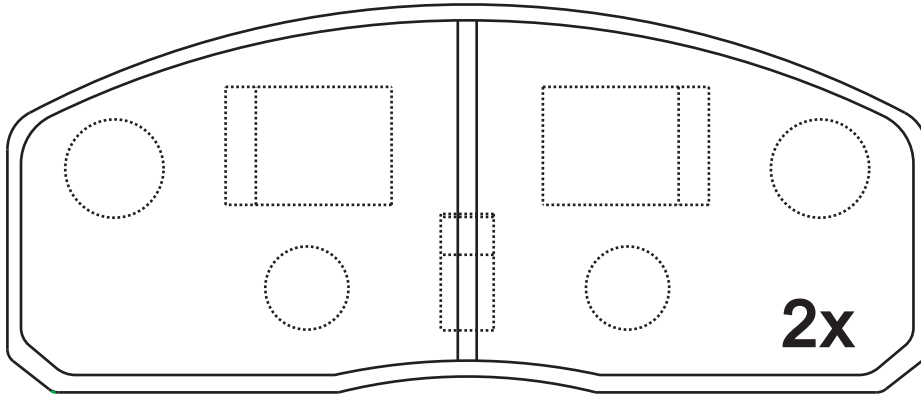
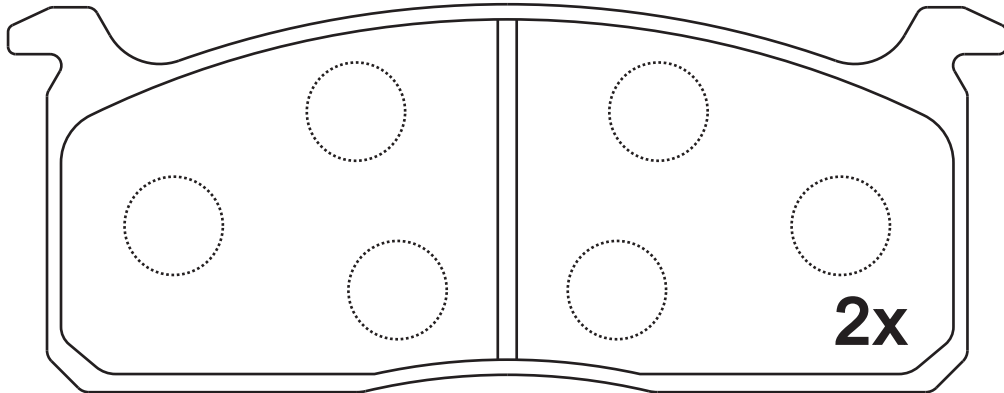
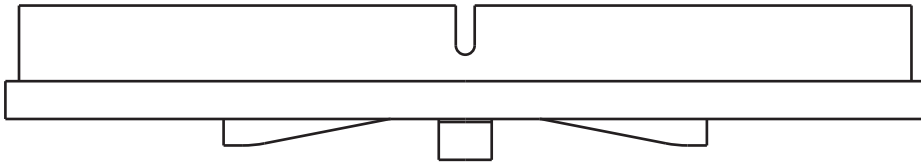
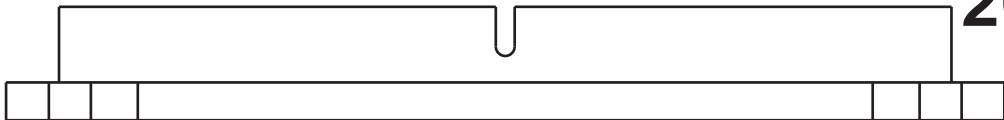
Mitsubishi Pajero I	Closed off-road	11.88-11.90
Mitsubishi L200	Pickup	11.86-10.96
Mitsubishi L300	Platform	04.83-04.94
Mitsubishi Delica	Bus	11.86-
Mitsubishi Delica	Bus	11.86-

SR0023.01**Dimension
(mm)**

120.3/132×51



**Thickness
(mm)**

15

**NOTE****2 identical; 2 identical
with springs;****20730****20729****Apply for:**

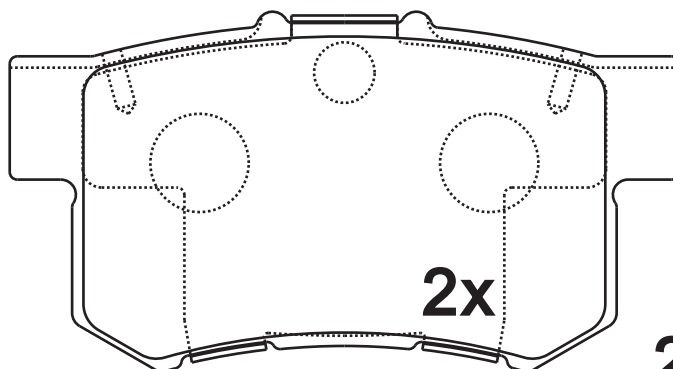
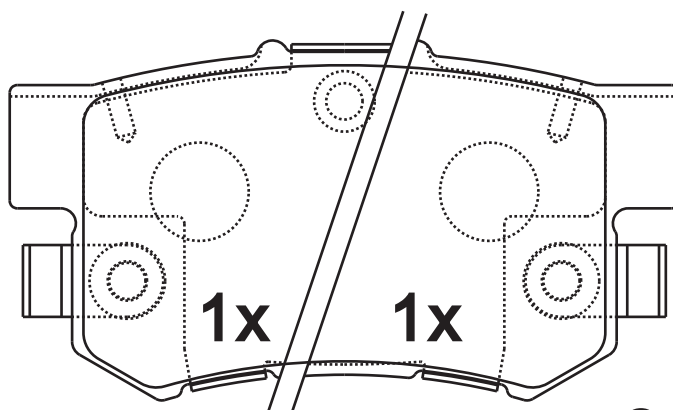
Toyota Hiace I	Box	02.77-03.83
Toyota Hiace I	Estate	01.79-12.84
Toyota Hiace I	Bus	01.79-12.84
Toyota Hiace III	Box	08.89-08.95
Toyota Hiace III	Estate	08.89-08.95
Toyota Hilux	Pickup	01.84-

SR0024.01

Dimension (mm)	Thickness (mm)	
88.6×47.5	15.5	

NOTE

2 identical; 2 identical, 1 with acoustic indicator (right), 1 with acoustic indicator (left).

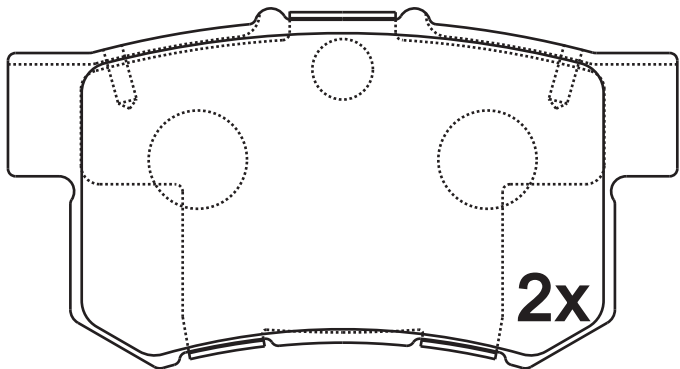
**21719****21720****21721****Apply for:**

Honda Accord IV	Saloon	01.90-03.93
Honda Accord IV	Estate	01.91-12.93
Honda Accord IV	Coupe	01.92-09.93
Honda Accord V	Saloon	03.93-01.96
Honda Accord V	Estate	09.93-00.98
Honda Accord V	Coupe	09.93-00.98
Honda Accord VI	Saloon	10.98-12.02
Honda Civic V	Estate	04.98-02.01
Honda Civic VI	Hatchback	01.97-02.01
Honda Civic VII	Hatchback	02.01-09.05
Honda Civic III	Saloon	01.06-
Honda Insight	Hatchback	04.09-
Honda Prelude IV	Coupe	02.93-09.96
Honda Prelude V	Coupe	10.96-10.00
Honda S2000	Convertible	06.99-
Rover 600	Saloon	08.93-02.99
Suzuki Swift III	Hatchback	05.06-

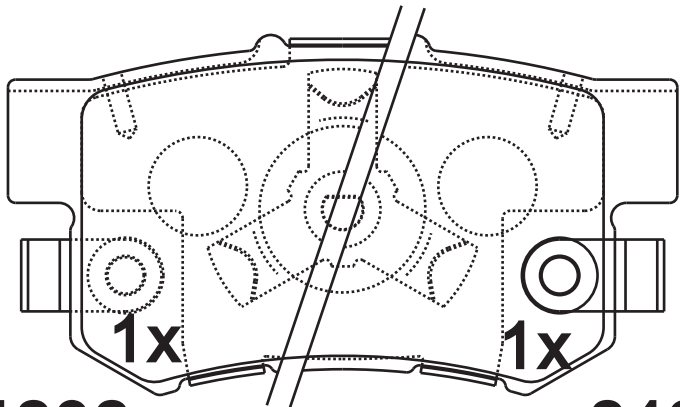
SR0024.02

Dimension (mm)	Thickness (mm)	
88.5×47.6	15.5	

NOTE
2 identical;2 identical with spring,1 with acoustic indicator(right),1 with acoustic indicator(left).



24231



24232

24233

Apply for:

Honda Accord VII
Honda CR-V II

Saloon 01.04-05.08
Closed off-Road 09.01-09.06

SR0024.03**Dimension
(mm)**

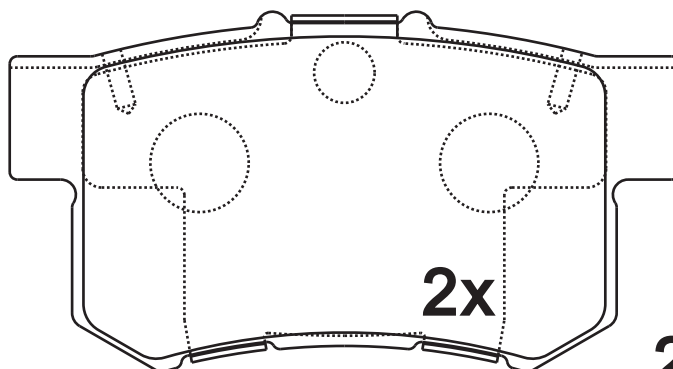
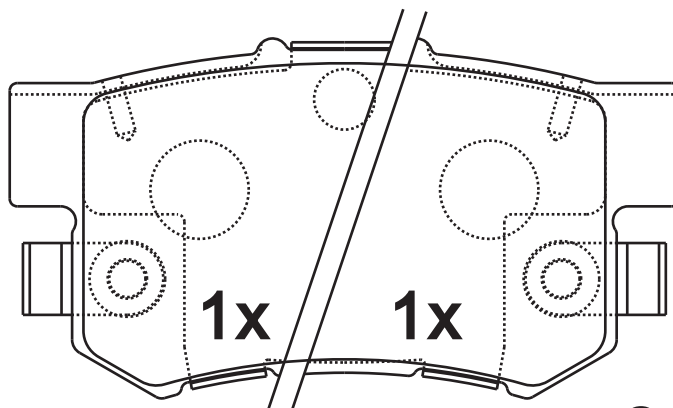
88.6×47.5

**Thickness
(mm)**

15.5

**NOTE**

2 identical; 2 identical, 1 with acoustic indicator (right), 1 with acoustic indicator (left).

**21719****21720****21721****Apply for:**

Honda Accord IV	Saloon	01.90-03.93
Honda Accord IV	Estate	01.91-12.93
Honda Accord IV	Coupe	01.92-09.93
Honda Accord V	Saloon	03.93-01.96
Honda Accord V	Estate	09.93-00.98
Honda Accord V	Coupe	09.93-00.98
Honda Accord VI	Saloon	10.98-12.02
Honda Civic V	Estate	04.98-02.01
Honda Civic VI	Hatchback	01.97-02.01
Honda Civic VII	Hatchback	02.01-09.05
Honda Civic III	Saloon	01.06-
Honda Insight	Hatchback	04.09-
Honda Prelude IV	Coupe	02.93-09.96
Honda Prelude V	Coupe	10.96-10.00
Honda S2000	Convertible	06.99-
Rover 600	Saloon	08.93-02.99
Suzuki Swift III	Hatchback	05.06-

SR0024

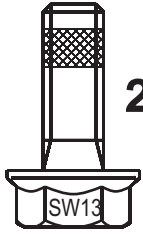
**Dimension
(mm)**

**Thickness
(mm)**



NOTE

附件包
Accessory bag



2x

M8X22

L0020

FJB0621.01

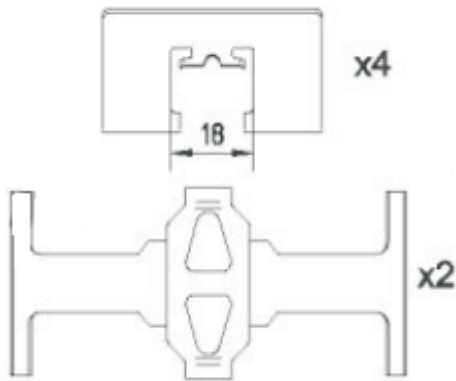


4x

M8X22

L0020

FJB0280.01



DX0012*4+DX0014*2

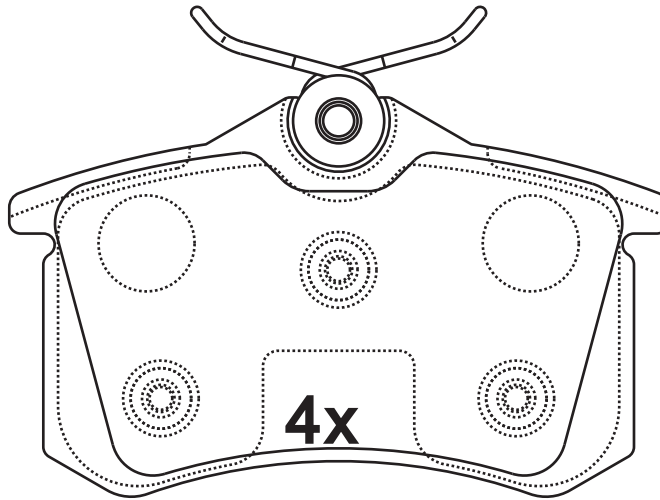
FJB0024.01

SR0025.01**Dimension
(mm)**

87.1×52.8

**Thickness
(mm)**

15.2

**NOTE****4 identical;****20961****Apply for:**

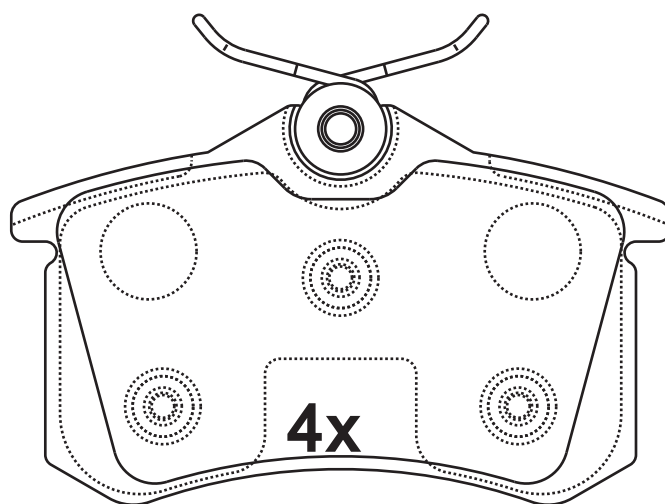
Audi A2	Hatchback	05.10-
Audi A3	Hatchback	03.99-03.13
Audi A3	Convertible	04.08-05.13
Audi A4	Saloon	01.96-06.08
Audi A4	Estate	11.04-06.08
Audi TT	Coupe	10.98-06.06
Seat Altea XL	MPV	10.06-
Seat Leon	Hatchback	05.05-
Volkswagan Bora	Saloon	06.02-10.04
Volkswagan EOS	Convertible	03.06-
Volkswagan Golf IV	Hatchback	05.98-06.05
Volkswagan Golf IV	Estate	05.99-06.06
Volkswagan Golf V	Hatchback	10.03-02.09
Volkswagan Golf VI	Hatchback	10.08-11.12
Volkswagan Golf Plus	Hatchback	01.05-
Volkswagan Passat	Saloon	08.96-11.00
Volkswagan Passat	Estate	06.97-05.05
Volkswagan Scirocco	Coupe	05.08-

SR0025.02**Dimension
(mm)**

87.1×52.8

**Thickness
(mm)**

16.2

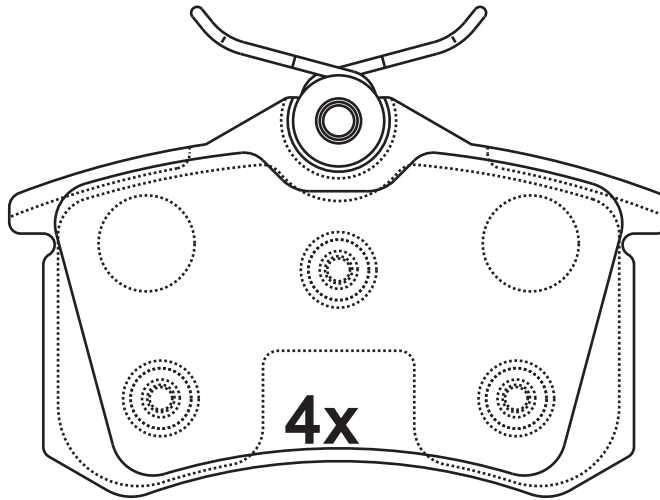
**NOTE****4 identical;****20961****Apply for:**

Citroen C3 II	Hatchback	11.09-
Citroen C4 I	Hatchback	11.04-
Citroen C4	Saloon	07.06-
Citroen C4	Coupe	11.04-
Citroen DS3	Hatchback	04.10-
Citroen DS3	Convertible	01.13-
Peugeot 207	Hatchback	02.06-
Peugeot 207	Convertible	02.07-
Peugeot 207	Estate	02.07-
Peugeot 308	Hatchback	09.07-
Peugeot 308 SW	Estate	09.07-
Peugeot 308 CC	Convertible	06.09-
Renault Fluence	Saloon	02.10-
Renault Megane III	Hatchback	11.08-
Renault Megane III	Estate	11.08-
Renault Megane III	Coupe	11.08-
Renault Megane CC	Convertible	06.10-
Renault Scenic III	MPV	02.09-

SR0025.03**Dimension
(mm)****Thickness
(mm)****NOTE****4 identical;**

87.1×52.8

17.2

**20961****Apply for:**

Audi A2	Hatchback	05.10-
Audi A3	Hatchback	03.99-03.13
Audi A3	Convertible	04.08-05.13
Audi A4	Saloon	01.96-06.08
Audi A4	Estate	11.04-06.08
Audi TT	Coupe	10.98-06.06
Seat Altea XL	MPV	10.06-
Seat Leon	Hatchback	05.05-
Volkswagan Bora	Saloon	06.02-10.04
Volkswagan EOS	Convertible	03.06-
Volkswagan Golf IV	Hatchback	05.98-06.05
Volkswagan Golf IV	Estate	05.99-06.06
Volkswagan Golf V	Hatchback	10.03-02.09
Volkswagan Golf VI	Hatchback	10.08-11.12
Volkswagan Golf Plus	Hatchback	01.05-
Volkswagan Passat	Saloon	08.96-11.00
Volkswagan Passat	Estate	06.97-05.05
Volkswagan Scirocco	Coupe	05.08-

SR0025.04

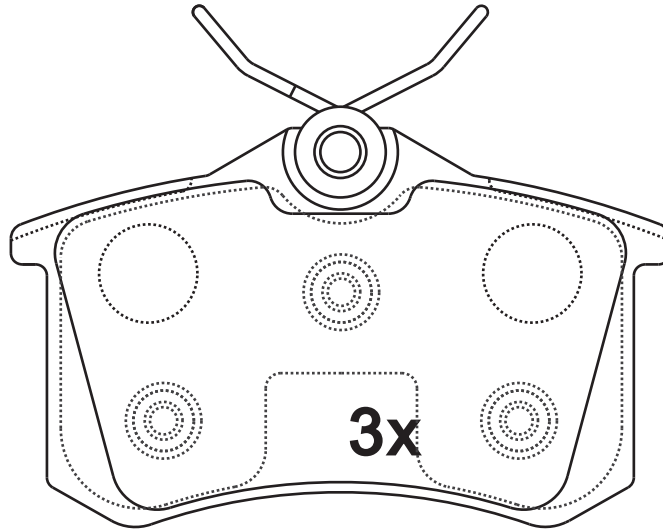
**Dimension
(mm)**

**Thickness
(mm)**

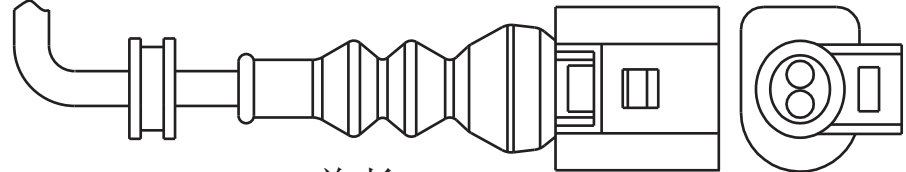
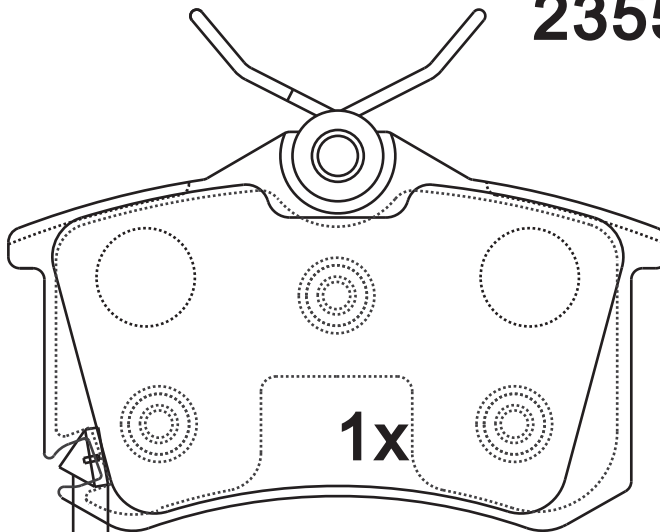


NOTE

**4 identical;1 with warn
contact.**



23554



X0311B 总长270mm

23823

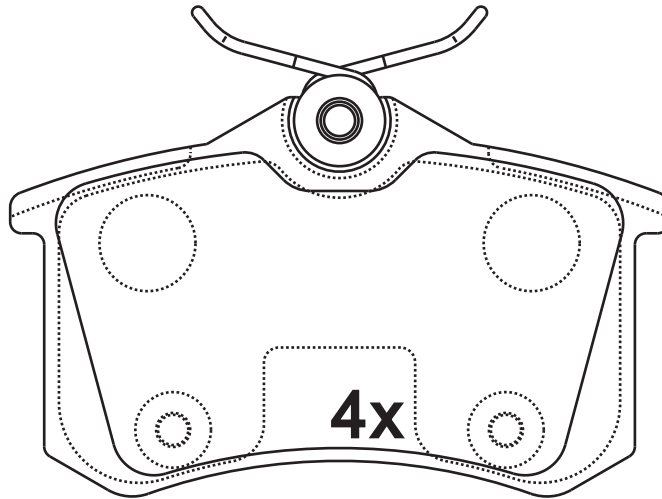
Apply for:

Ford Galaxy	MPV	03.95-05.06
Seat Alhambra	MPV	04.96-03.10
Volkawagan Sharan	MPV	09.95-03.10

SR0025.05**Dimension
(mm)****Thickness
(mm)****NOTE****4 identical;**


87.1×52.8

16.2

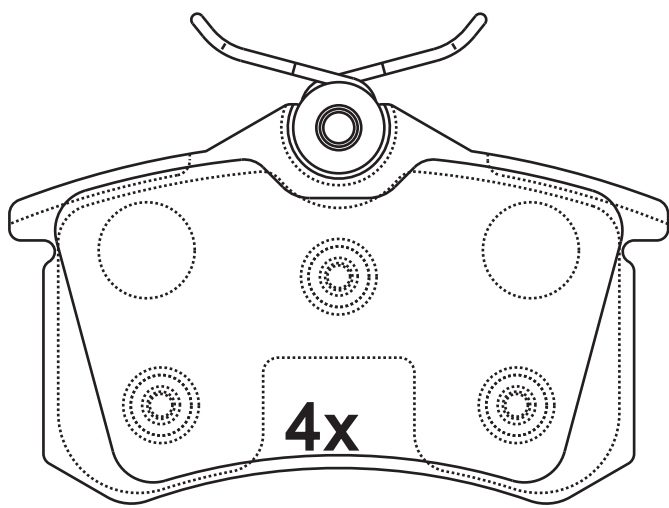
**20961****Apply for:**

Audi A4	Concertible	07.02-03.09
Audi A4	Saloon	11.04-06.08
Audi A4	Estate	11.04-06.08
Audi A6	Saloon	02.00-01.05
Audi TT	Concertible	10.99-06.06
Seat Toledo II	Saloon	10.98-05.06
Volkawagan Bora	Saloon	06.02-10.04
Volkawagan Golf IV	Hatchback	08.97-06.05
Volkawagan New Beetle	Hatchback	10.00-09.10

SR0025.06

Dimension (mm)	Thickness (mm)	
87.1×52.8	16.2	

NOTE
4 identical;





23554

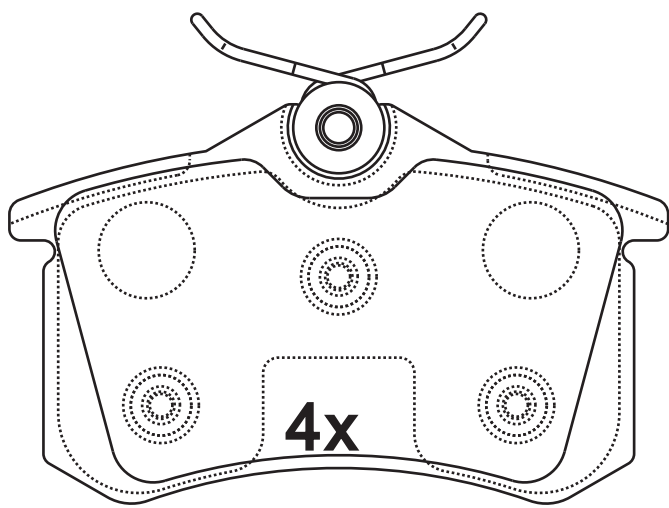
Apply for:

Audi A4	Saloon	11.04-06.08
Audi A4	Estate	11.04-06.08

SR0025.07

Dimension (mm)	Thickness (mm)	
87.1×52.8	17.2	

NOTE
4 identical;



23554

Apply for:

Seat Alhambra	MPV	04.96-03.10
Volkawagan Sharan	MPV	09.95-03.10

SR0025.08**Dimension
(mm)****Thickness
(mm)****NOTE****4 identical;**

87.5×52.9

15.2



取消 SR0025.01+FJB0025.08

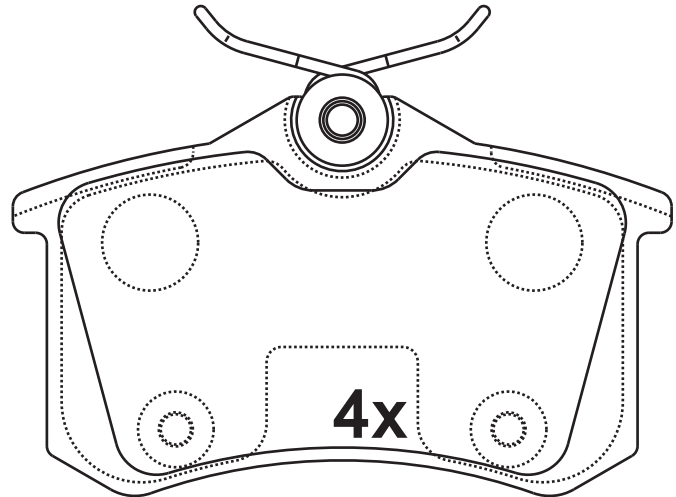
Apply for:

Seat Toledo I	Hatchback	05.91-03.99
Volkawagan GolfIII	Hatchback	11.91-08.97
Volkawagan Passat	Saloon	04.88-08.96
Volkawagan Passat	Estate	04.88-05.97

SR0025.09

Dimension (mm)	Thickness (mm)	
87.1×52.8	17	

NOTE
4 identical;




20961

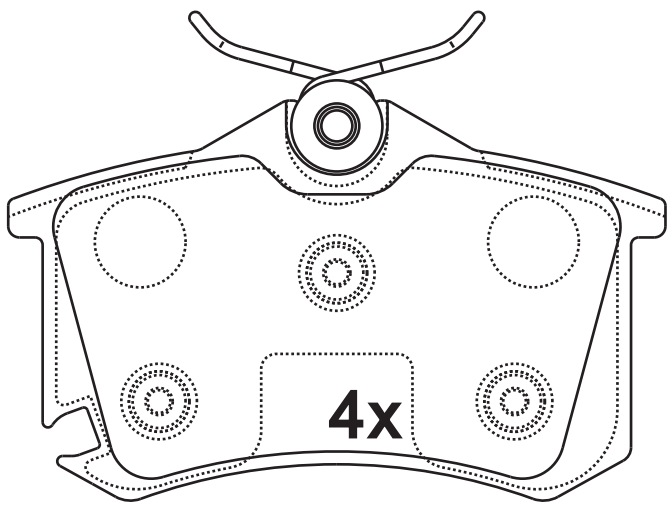
Apply for:

Audi A4	Concertible	07.02-03.09
Audi A4	Saloon	11.04-06.08
Audi A4	Estate	11.04-06.08
Audi A6	Saloon	02.00-01.05
Audi TT	Concertible	10.99-06.06
Seat Toledo II	Saloon	10.98-05.06
Volkawagan Bora	Saloon	06.02-10.04
Volkawagan Golf IV	Hatchback	08.97-06.05
Volkawagan New Beetle	Hatchback	10.00-09.10

SR0025.10

Dimension (mm)	Thickness (mm)	
86.9×52.9	17	

NOTE
4 identical;



23823

Apply for:

Audi A2 hatchback/double-box car (8 z0)
Five generation Volkswagen golf

2000/02-2005/08
2003/10-2009/02

SR0025.11

**Dimension
(mm)**

87.1×52.8

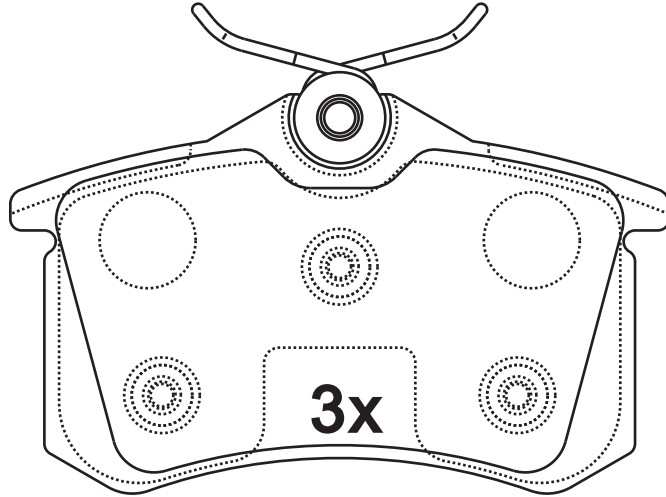
**Thickness
(mm)**

17.2

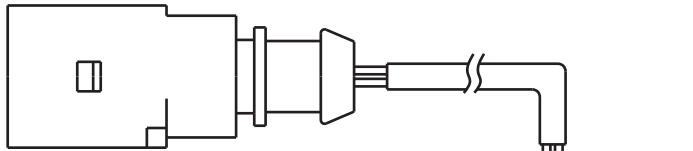
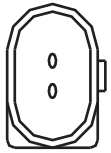


NOTE

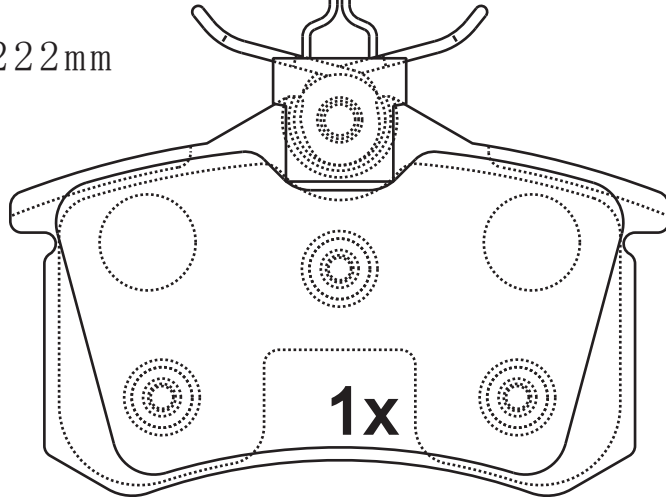
**4 identical;1 with warn
contact.**



20961





X0313B 总长222mm



23516

Apply for:



Ford Galaxy	MPV	03.95-05.06
Seat Alhambra	MPV	04.96-03.10
Volkswagen Sharan	MPV	09.95-03.10

SR0025.12	Dimension (mm)	Thickness (mm)		NOTE
				

取消 SR0025. 03+FJB0025. 01

Apply for:

Seat Toledo I	Hatchback	05.91-03.99
Volkawagan GolfIII	Hatchback	11.91-08.97
Volkawagan Passat	Saloon	04.88-08.96
Volkawagan Passat	Estate	04.88-05.97

SR0025.13	Dimension (mm)	Thickness (mm)		NOTE 4 identical;1 with warn contact.
				

取消 SR0025.11+FJB0025.01

Apply for:

Ford Galaxy	MPV	03.95-05.06
Seat Alhambra	MPV	04.96-03.10
Volkswagen Sharan	MPV	09.95-03.10

SR0025

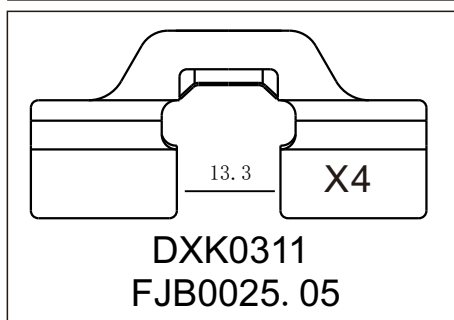
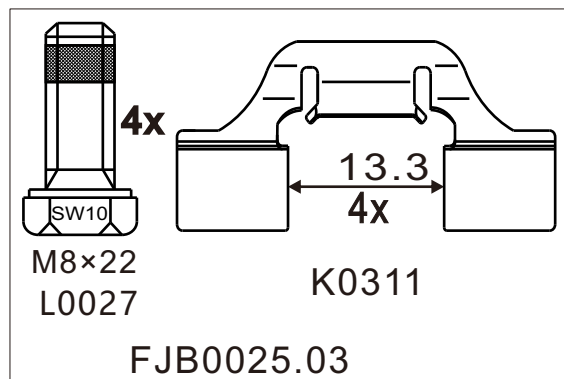
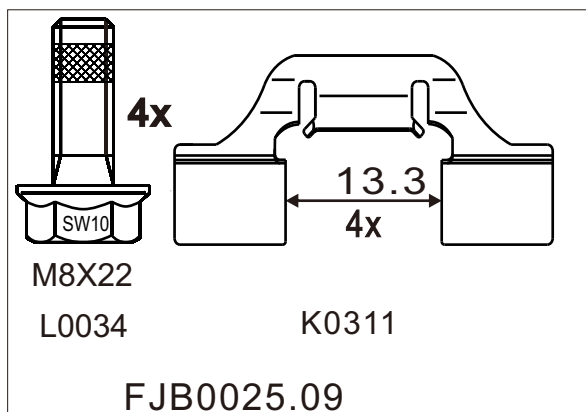
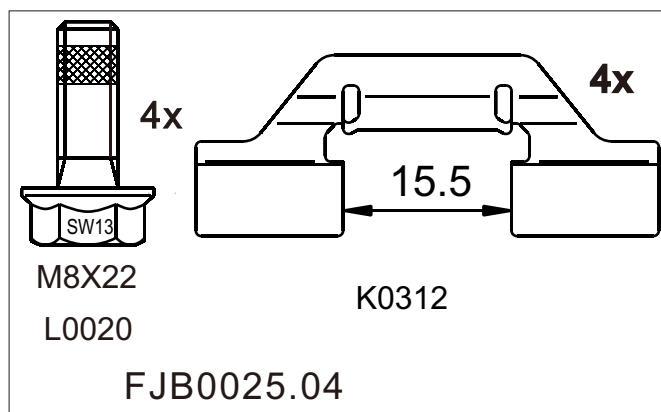
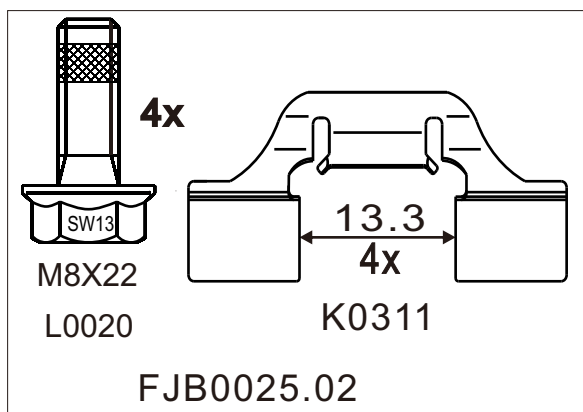
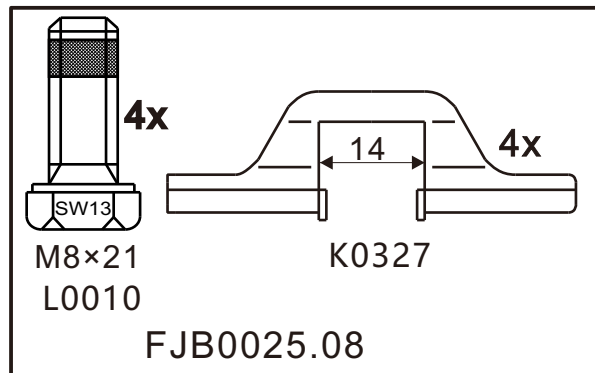
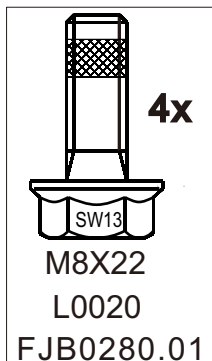
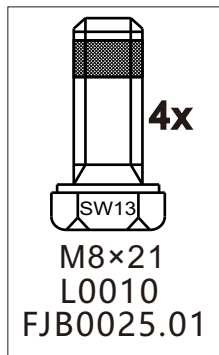
**Dimension
(mm)**

**Thickness
(mm)**



NOTE

附件包
Accessory bag



SR0026.01

**Dimension
(mm)**

**Thickness
(mm)**

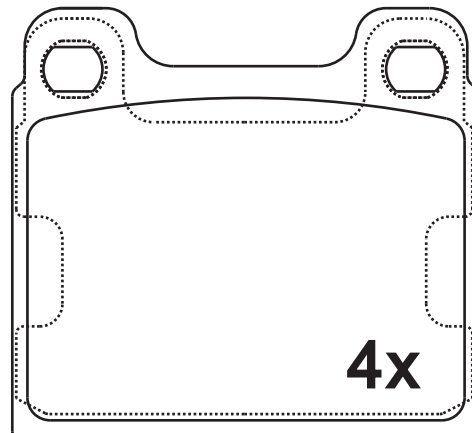


NOTE

4 identical;

61.8×56.5

15



20034

Apply for:

BMW 2
Mercedes Pagode
Opel GT

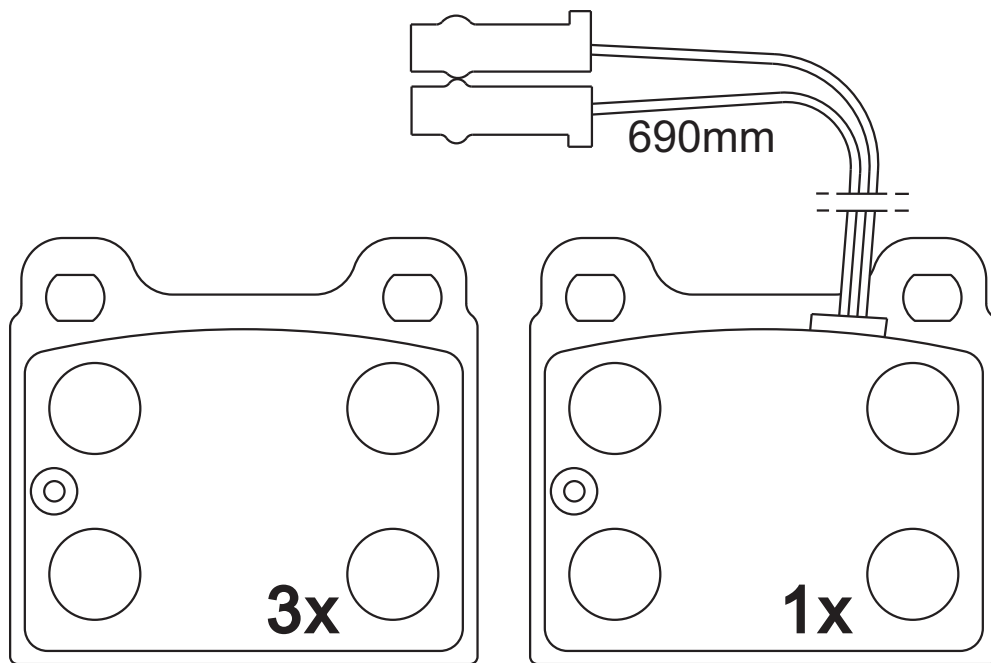
Saloon
Saloon
Saloon

04.66-07.77
01.63-12.71
09.68-08.73

SR0026.02

Dimension (mm)	Thickness (mm)	
61.8×56.5	15	

NOTE
4 identical;1 with warn contact.



20034

Apply for:

- | | |
|-----------------------|-----------------|
| 阿尔法-罗蜜欧 75四门轿车(162B) | 1985/05-1992/12 |
| 阿尔法-罗蜜欧 阿尔菲塔四门轿车(116) | 1974/07-1984/12 |
| 阿尔法-罗蜜欧 阿尔菲塔GT双门跑车 | 1974/01-1986/01 |
| 阿尔法-罗蜜欧 吉里耶塔四门轿车(116) | 1977/10-1985/12 |
| 阿尔法-罗蜜欧 GTV双门跑车(116) | 1978/01-1987/02 |

SR0027.01**Dimension
(mm)**

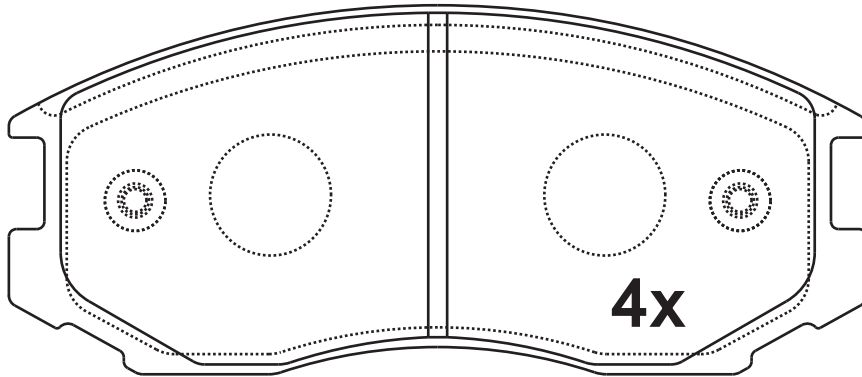
113.4×48.8

**Thickness
(mm)**

15

**NOTE**

4 identical;

**21650****Apply for:**

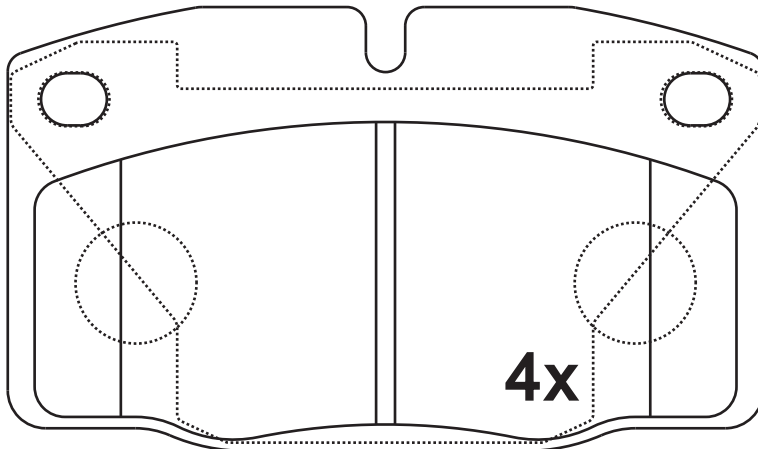
Mitsubishi Lancer III	Estate	08.86-06.92
Mitsubishi Lancer IV	Hatchback	04.88-06.92
Mitsubishi Lancer V	Saloon	06.92-
Mitsubishi Lancer V	Estate	12.92-10.03
Mitsubishi Colt III	Hatchback	04.88-05.92
Mitsubishi Colt IV	Hatchback	04.92-04.96
Mitsubishi Mirage	Saloon	09.95-07.03
Mitsubishi Mirage	Hatchback	09.95-
Daihatsu Terios	Closed off-Road	10.97-

SR0028.01**Dimension
(mm)**

99.9×58.7

**Thickness
(mm)**

15.8

**NOTE****4 identical;****20939****Apply for:**

Opel Ascona B	Saloon	09.75-08.81
Opel Ascona C	Saloon	09.81-10.88
Opel Corsa A	Box	02.86-09.94
Opel Kadett D	Saloon	08.79-08.84
Opel Kadett E	Saloon	09.84-08.91
Opel Manta B	Saloon	09.75-08.88
Opel Omega A	Saloon	09.86-05.94
Opel Rekord E	Saloon	08.77-08.86
Opel Vertra A	Saloon	08.88-11.95

SR0028

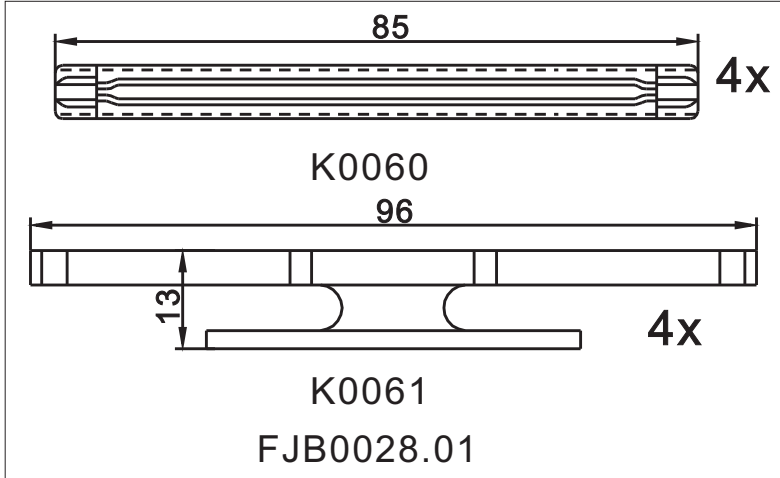
**Dimension
(mm)**

**Thickness
(mm)**



NOTE

附件包
Accessory bag



SR0029.01**Dimension
(mm)**

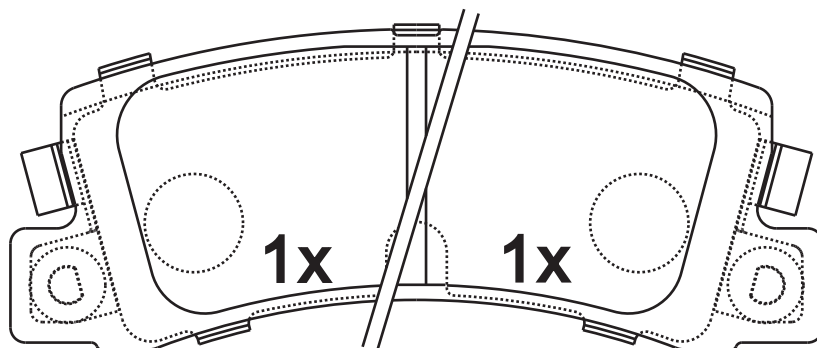
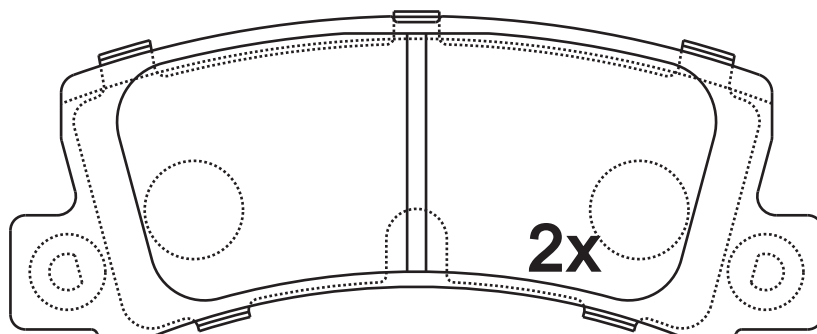
107.7×42.6

**Thickness
(mm)**

15



**NOTE**

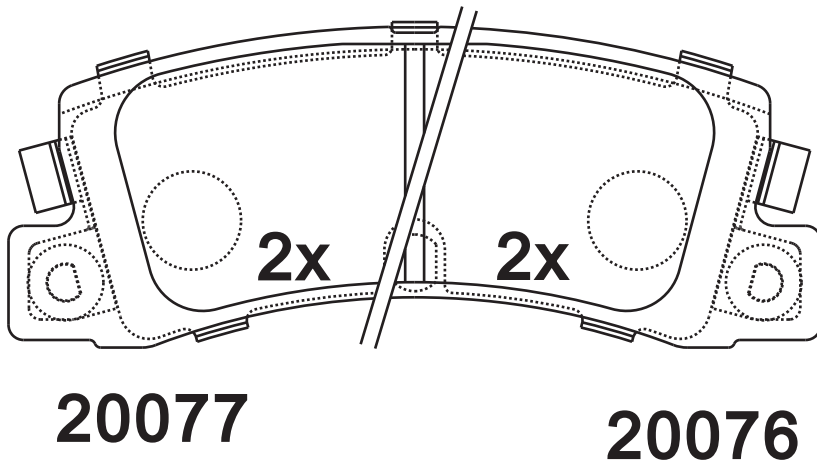
2 identical; 2 identical,
1 with acoustic indicator
(right), 1 with acoustic
indicator (left).

**21833****21834****Apply for:**

Lexus RX Saloon	08.97-05.03
Toyota Avensis Saloon	09.97-02.03
Toyota Camry Saloon	10.86-
Toyota Carina II Saloon	12.87-06.93
Toyota Celica Saloon	09.85-02.90
Toyota Corolla	04.97-01.02



SR0029.02

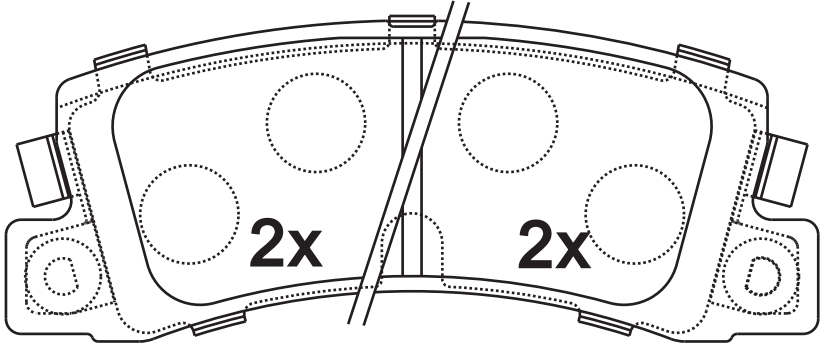
Dimension (mm)	Thickness (mm)		NOTE 2 identical;2 identical, 1 with acoustic indicator (right),1 with acoustic indicator(left).
107.4×42.4	15.5		



Apply for:

- Lexus RX Saloon 08.97-05.03
- Toyota Avensis Saloon 09.97-02.03
- Toyota Camry Saloon 10.86-
- Toyota Carina II Saloon 12.87-06.93
- Toyota Celica Saloon 09.85-02.90
- Toyota Corolla 04.97-01.02

SR0029.03	Dimension (mm)	Thickness (mm)		NOTE
	107.6×42.5	15.5		2 identical;2 identical;



21833

21834

Apply for:

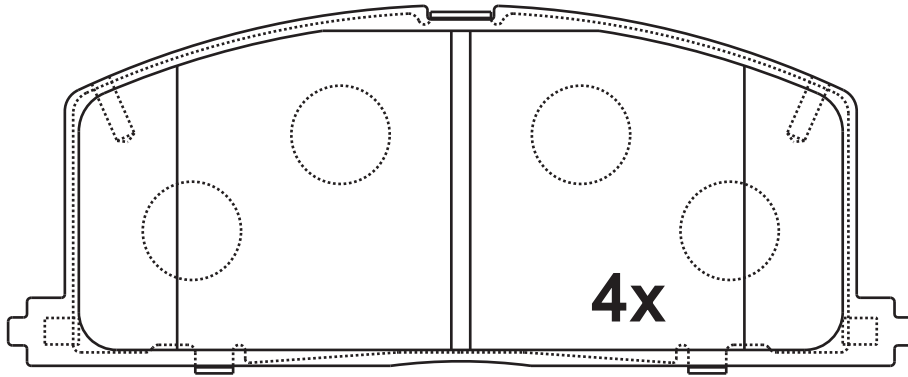
- Lexus ES250 1990-1991
- Lexus RX300 1999-2003
- Toyota Camry 4 Cyl 1992-1996
- Toyota Camry 4 Cyl Non-ABS 1991-
- Toyota Camry 6 Cyl 1992-1999
- Toyota Camry 6 Cyl ABS 1991-
- Toyota Camry 6 Cyl Non-ABS 1991-
- Toyota Camry Non-ABS 1988-1990
- Toyota Celica 4WD ABS 1988-1989
- Toyota Celica 4WD Non ABS 1988-1989
- Toyota Celica GTS Sport 1986-1987
- Toyota Celica GTS Sport 1990-1993
- Toyota Celica GTS Sport ABS 1988-1989
- Toyota Celica GTS Sport Non ABS 1988-1989
- Toyota Solara 1999-2000

SR0030.01**Dimension
(mm)**


119.7×47.6

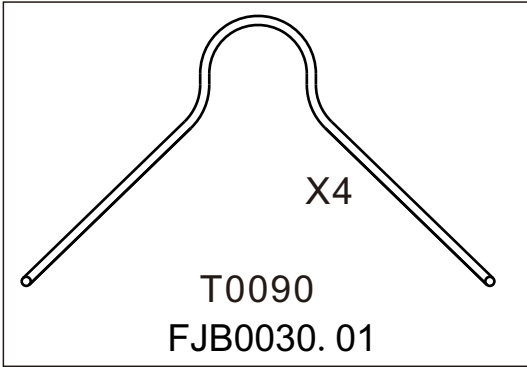
**Thickness
(mm)**

15

**NOTE****4 identical;****20870****Apply for:**

Toyota Corolla	Hatchback	09.89-05.92
Toyota Corolla	Estate	09.92-04.97
Toyota Corolla	Coupe	06.91-08.97
Toyota Camry	Hatchback	02.83-01.88
Toyota Camry	Saloon	02.83-01.88
Toyota Carina II	Hatchback	10.83-06.93
Toyota Carina II	Estate	12.87-04.92
Toyota Carina II	Saloon	10.83-06.93
Toyota Celica	Saloon	04.86-08.90
Toyota Celica	Convertible	10.86-08.90
Toyota Celica	Coupe	10.89-01.94
Toyota Celica	Hatchback	08.85-02.90

SR0030	Dimension (mm)	Thickness (mm)		NOTE



SR0031.01

**Dimension
(mm)**

137.2×57

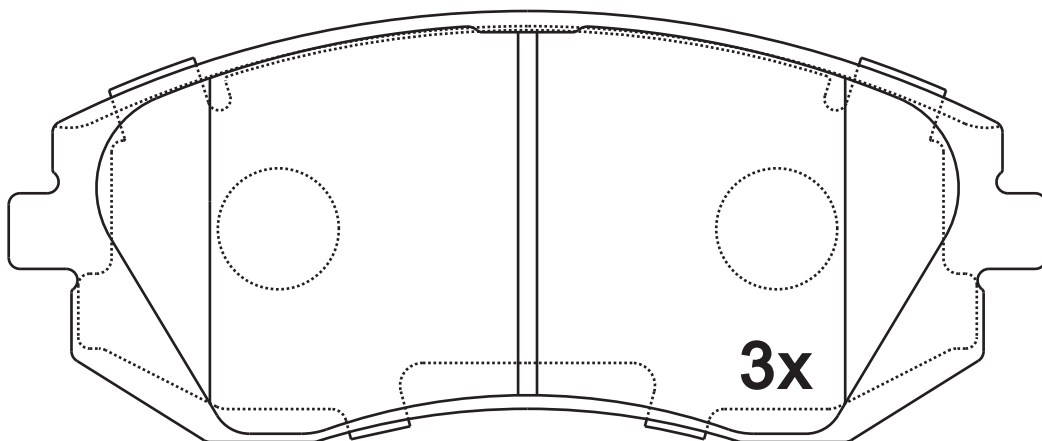
**Thickness
(mm)**

17.6

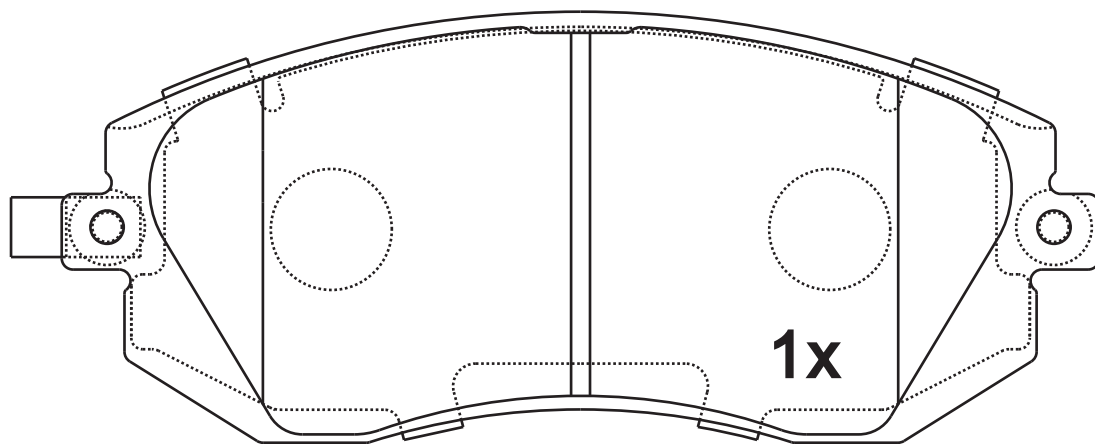


NOTE

4 identical, 1 with acoustic indicator(left).



23865



23867

Apply for:

Subaru Forester	Closed off-Road	09.02-
Subaru Impreza	Saloon	12.00-
Subaru Impreza	Eatate	12.00-
Subaru Legacy IV	Saloon	09.03-
Subaru Legacy IV	Eatate	09.03-
Subaru Legacy V	Saloon	09.09-
Subaru Legacy V	Eatate	09.09-
Subaru Outback	Eatate	11.03-

SR0031.02

**Dimension
(mm)**

137.2×57

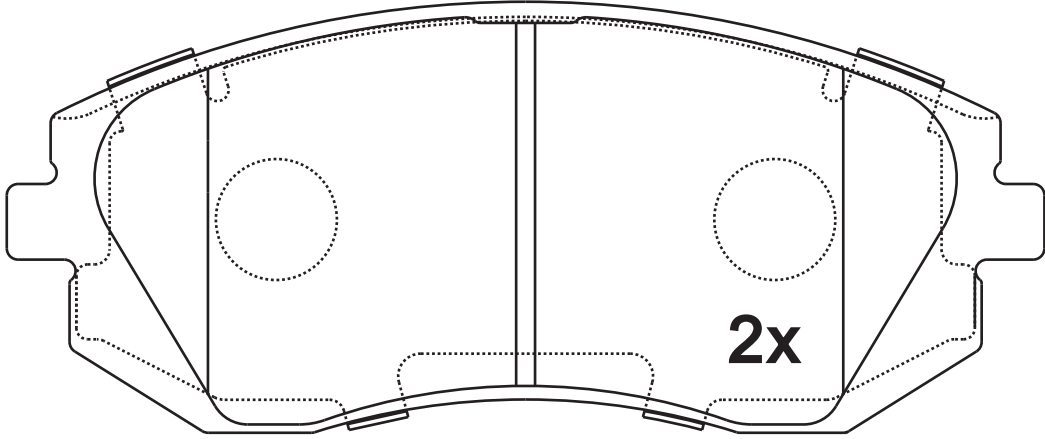
**Thickness
(mm)**

17.6

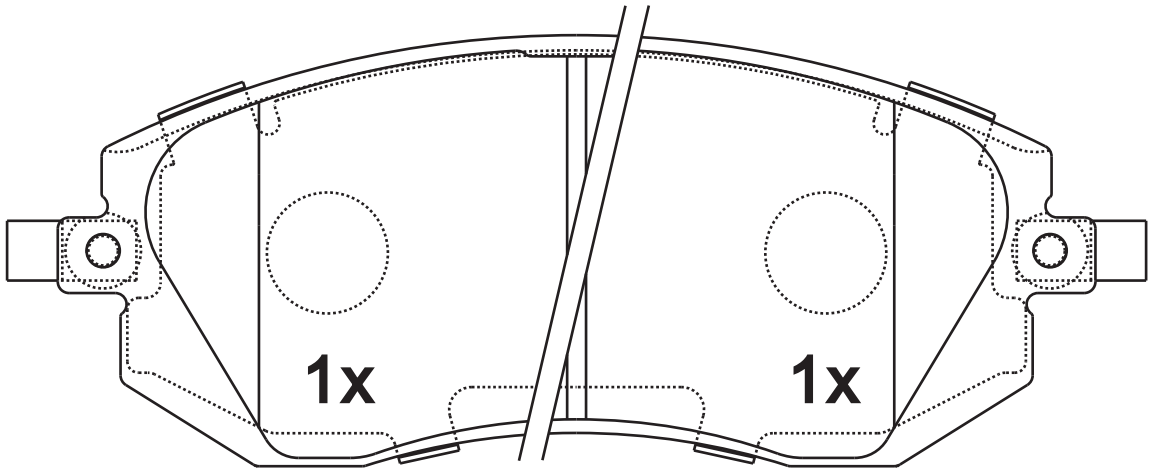


NOTE

4 identical, 1 with acoustic indicator(left).



23865



23866

23867

Apply for:

Subaru Forester	Closed off-Road	09.02-
Subaru Impreza	Saloon	12.00-
Subaru Impreza	Eatate	12.00-
Subaru Legacy IV	Saloon	09.03-
Subaru Legacy IV	Eatate	09.03-
Subaru Legacy V	Saloon	09.09-
Subaru Legacy V	Eatate	09.09-
Subaru Outback	Eatate	11.03-

SR0031.03

**Dimension
(mm)**

137.2×57

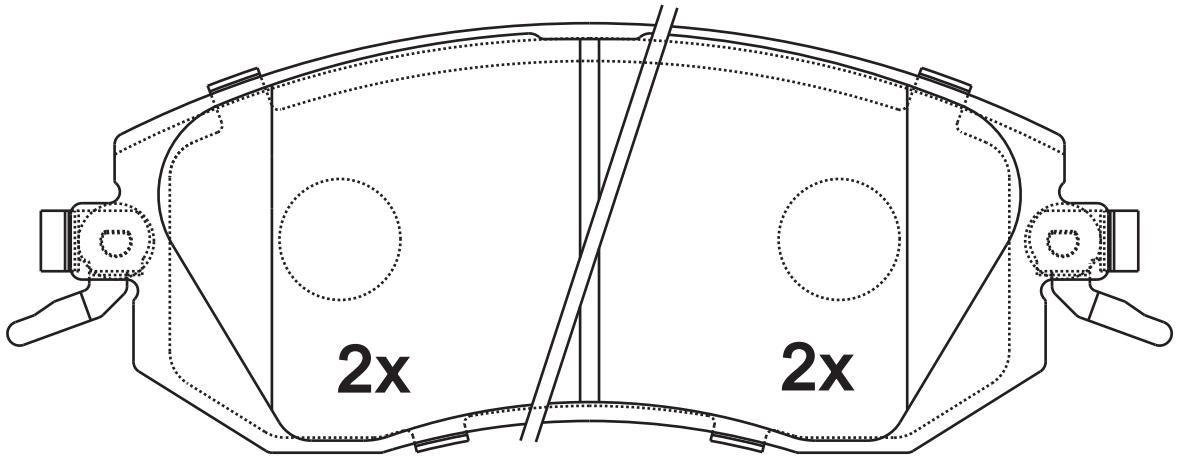
**Thickness
(mm)**

17.6



NOTE

**4 identical, 1 with
acoustic indicator(left).**



25761

25760

Apply for:

Subaru Forester	Closed off-Road	09.02-
Subaru Impreza	Saloon	12.00-
Subaru Impreza	Eatate	12.00-
Subaru Legacy IV	Saloon	09.03-
Subaru Legacy IV	Eatate	09.03-
Subaru Legacy V	Saloon	09.09-
Subaru Legacy V	Eatate	09.09-
Subaru Outback	Eatate	11.03-

SR0031

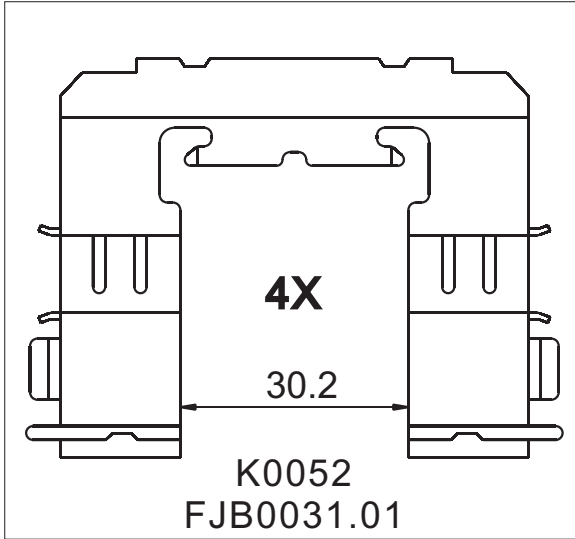
**Dimension
(mm)**

**Thickness
(mm)**



NOTE

**附件包
Accessory bag**



SR0032.01

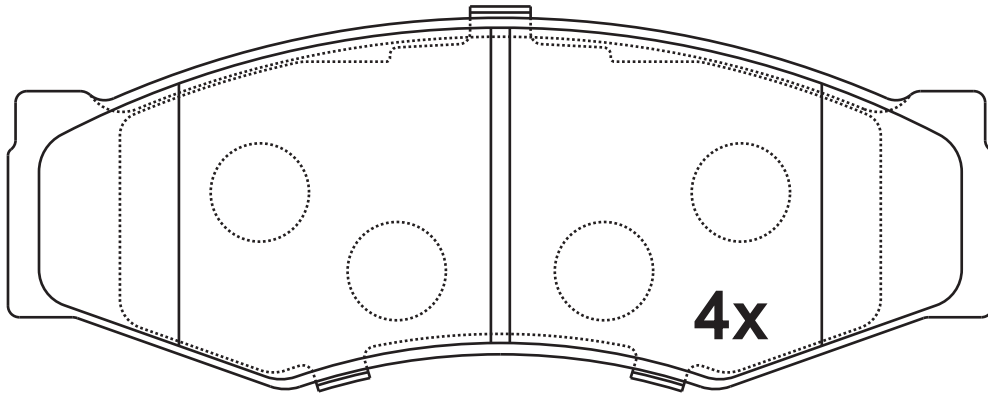
**Dimension
(mm)**

**Thickness
(mm)**



NOTE

4 identical;



21099

Apply for:

Nissan Bluebird	Saloon	12.85-02.90
Nissan Bluebird	Hatchback	12.85-11.92
Nissan Laurel	Saloon	11.84-06.90
Nissan Navara	Saloon	06.92-04.97
Nissan Serena	Saloon	07.92-09.10
Nissan Prairie	Saloon	12.82-10.88

SR0032.02**Dimension
(mm)**

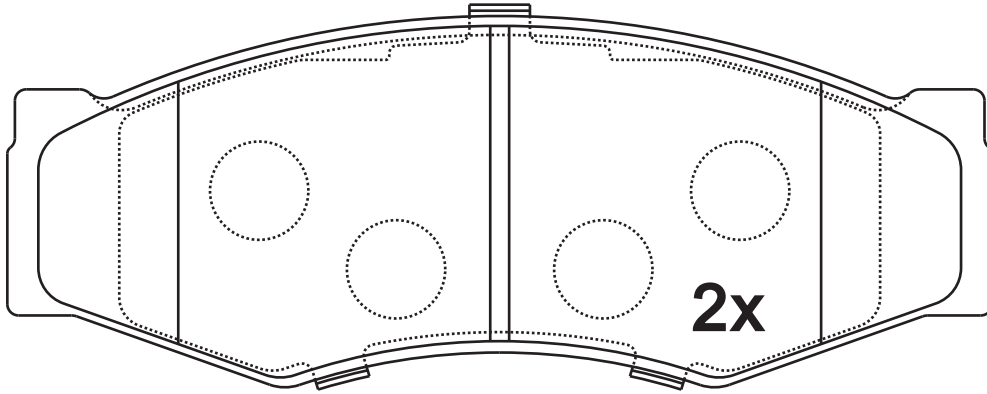
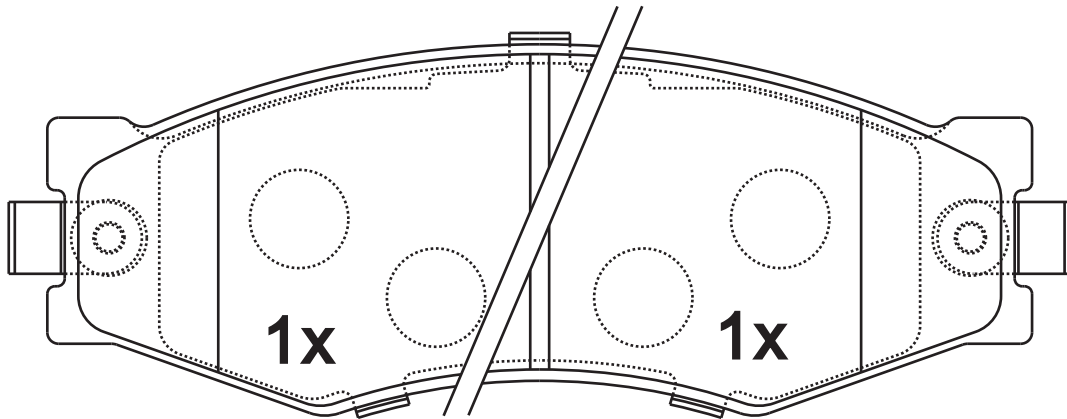
130.2×49.1

**Thickness
(mm)**

17

**NOTE**

2 identical; 2 identical,
1 with acoustic indicator
(right), 1 with acoustic
indicator (left).

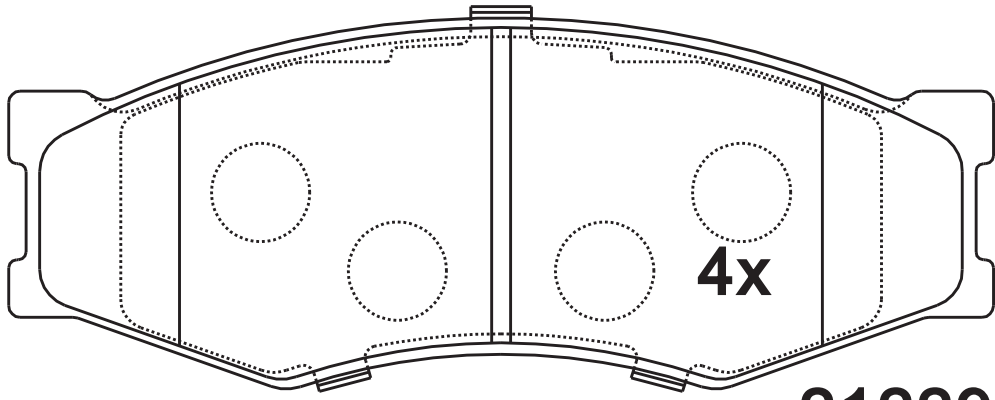
**2x****21229****1x****1x****21130****21119****Apply for:**

Nissan Bluebird	Saloon	12.85-02.90
Nissan Bluebird	Hatchback	12.85-11.92
Nissan Laurel	Saloon	11.84-06.90
Nissan Navara	Saloon	06.92-04.97
Nissan Serena	Saloon	07.92-09.10
Nissan Prairie	Saloon	12.82-10.88

SR0032.03

Dimension (mm)	Thickness (mm)	
130×49.3	17	

NOTE
4 identical;



21229

Apply for:

- | | |
|---------------------------------|-----------|
| Infiniti M30 | 1990-1992 |
| Nissan 300ZX | 1985-1989 |
| Nissan Pickup 2WD | 1996- |
| Nissan Pickup 2WD 4 Cyl. | 1995- |
| Nissan Stanza | 1987- |
| Nissan Stanza Station Wagon 4WD | 1988- |

SR0033.01

**Dimension
(mm)**

**Thickness
(mm)**

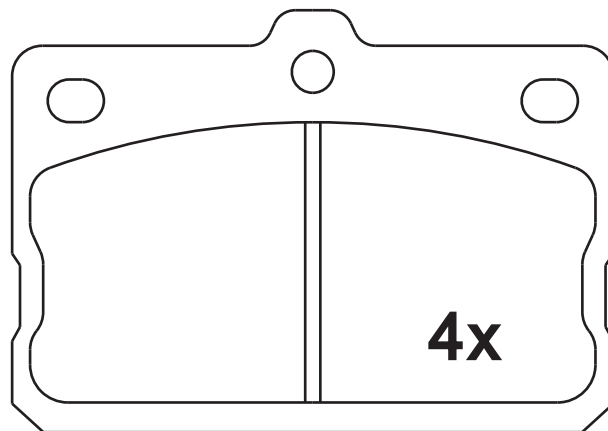


NOTE

4 identical;

78.4×59.8

14.5



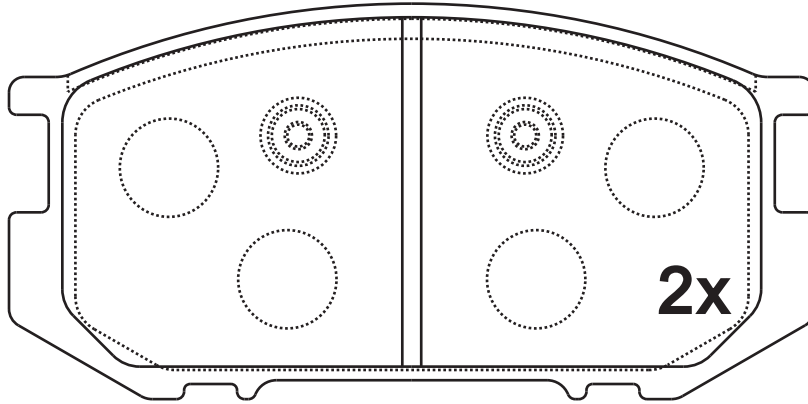
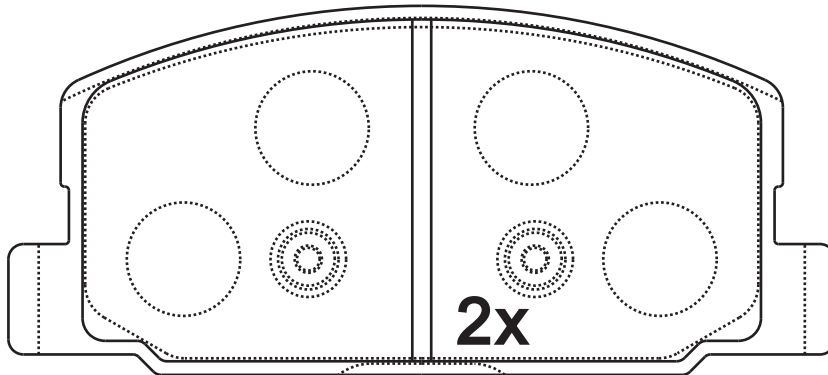
20703

Apply for:

Mistubishi Celeste Saloon	10.75-06.81
Mistubishi Colt I Saloon	12.78-03.84
Mistubishi Colt Lancer Saloon	01.78-09.79
Mistubishi Galant I Saloon	01.77-08.80
Mistubishi Lancer Saloon	09.79-09.86
Mistubishi Sapporo Saloon	04.78-07.80
Mistubishi Corolla Saloon	09.79-09.85

SR0034.01**Dimension
(mm)**106.5×52.3
109.3×48.8**Thickness
(mm)**

14

**NOTE****2 identical; 2 identical;****20854****20856****Apply for:**

Daihatsu Charmant	Saloon	11.81-07.87
Toyota Carina	Saloon	05.73-09.83
Toyota Carina	Estate	04.82-09.83
Toyota Celica	Coupe	12.81-10.86
Toyota Celica	Hatchback	08.77-08.85
Toyota Corolla	Coupe	05.83-07.87
Toyota Corolla	Hatchback	05.85-04.87
Toyota Corolla	Estate	02.82-08.87
Toyota Cressida	Saloon	05.85-09.88

SR0035.01

**Dimension
(mm)**

**Thickness
(mm)**

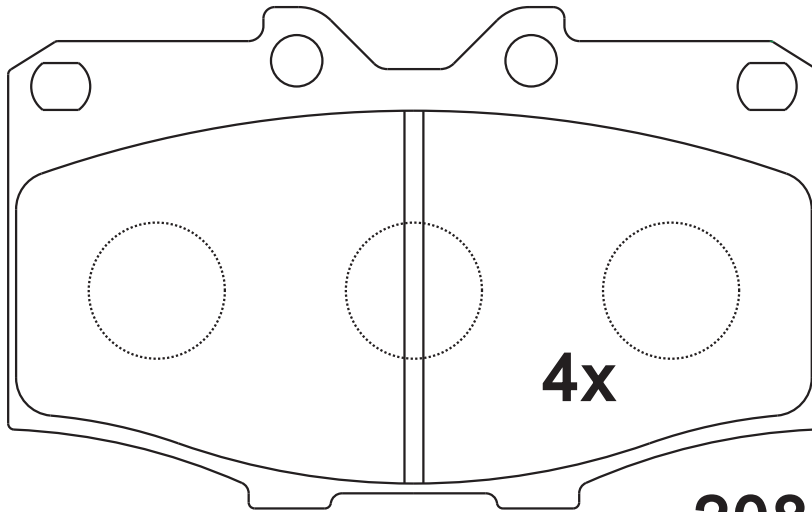


NOTE

4 identical;

107.1×65.7

15.5



20852

Apply for:

Toyota Hilux II

Toyota Land Cruiser

Toyota Land Cruiser

Pickup



Closed off-Road

Pickup

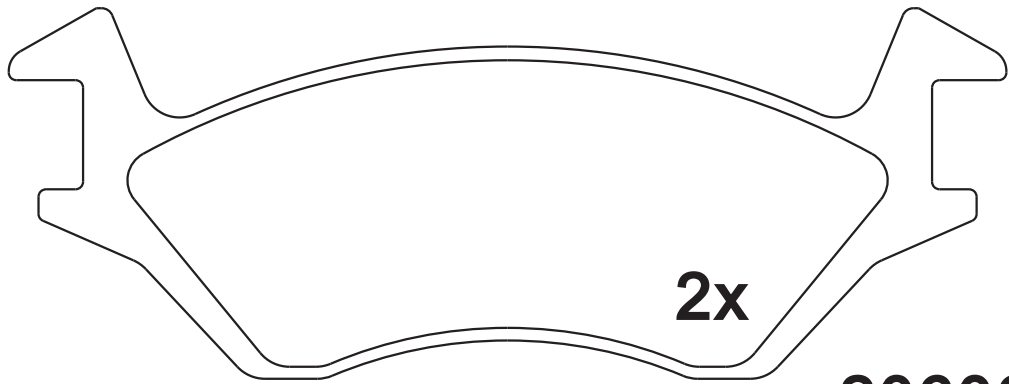
01.84-08.88

01.82-12.96

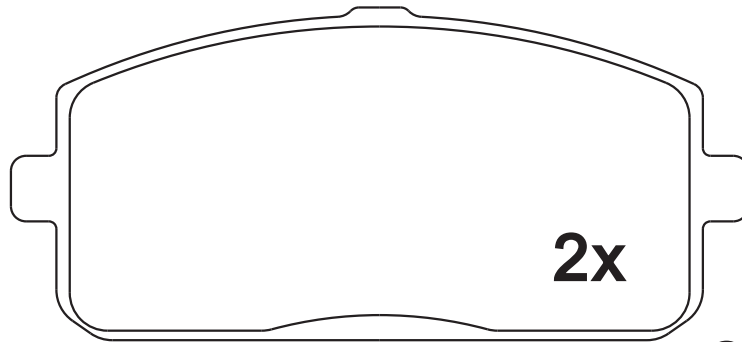
01.75-04.86

SR0036.01	Dimension (mm)	Thickness (mm)		NOTE
	97.5/131.9×44/49	13.5		2 identical;2 identical;

无模具



20606



20605

Apply for:

Toyota Starlet
Toyota Starlet
Toyota Starlet

Saloon



Estate

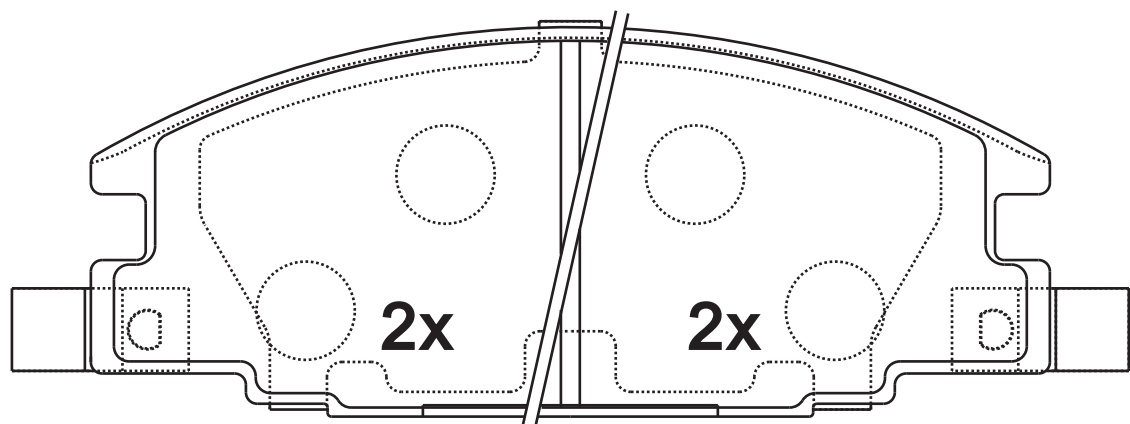
Hatchback

02.78-12.89

02.78-12.84

02.78-09.84

SR0037.01	Dimension (mm)	Thickness (mm)		NOTE 2 identical with acoustic indicator(left); 2 identical with acoustic indicator(right).
	127.1×50.9	16.5		





21543

21544

Apply for:

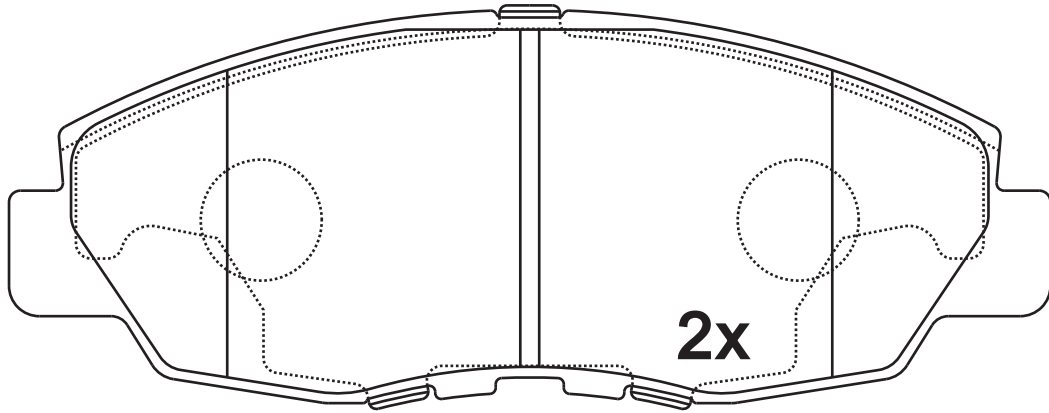
Isuzu Trooper	Closed off-Road	10.88-12.91
Isuzu Trooper	Open off-Road	12.85-12.91
Isuzu Trooper	Closed off-Road	10.87-12.91
Opel Campo	Pickup	08.91-
Opel Frontera A	Closed off-Road	03.92-10.98
Opel Frontera A	Open off-Road	03.92-10.98
Vauxhall Brava	Pickup	06.90-
Vauxhall Frontera	Closed off-Road	03.92-10.98
Vauxhall Frontera	Open off-Road	03.92-10.98

SR0038.01

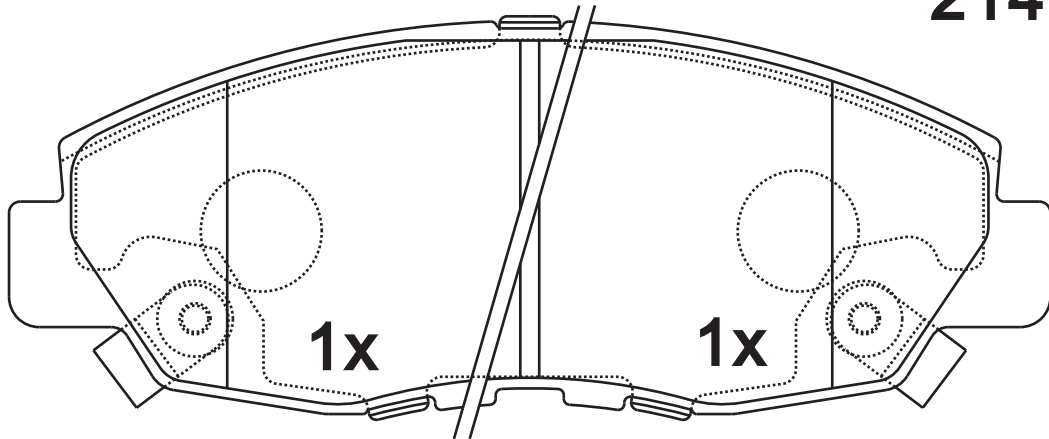
Dimension (mm)	Thickness (mm)	
137.7×51.9	18	

NOTE

2 identical;2 identical,1 with acoustic indicator (right),1 with acoustic indicator(left).



21497



21499

21498

Apply for:

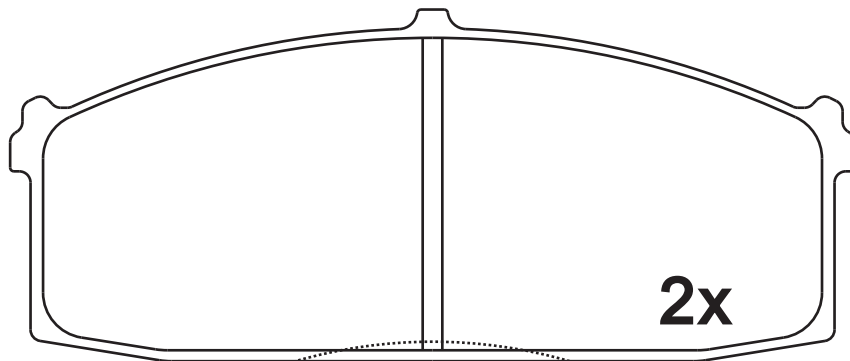
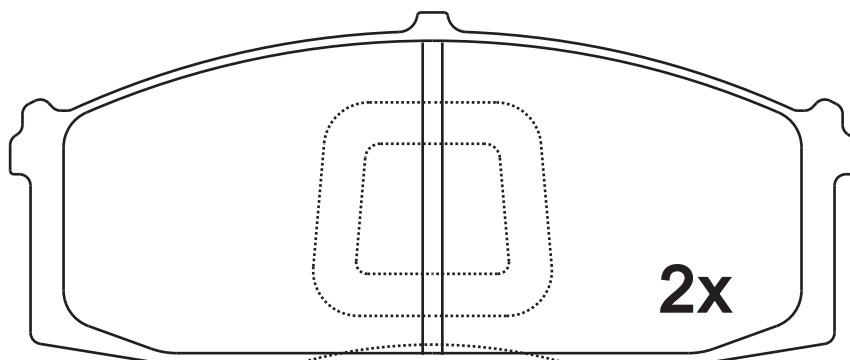
Honda Accord IV	Saloon	11.89-10.93
Honda Accord IV	Coupe	01.92-09.93
Honda Accord VI	Saloon	03.97-12.03
Honda Civic VIII	Saloon	09.05-

SR0039.01**Dimension
(mm)**

111.7×44

**Thickness
(mm)**

14.5

**NOTE****2 identical;2 identical;****20718****20853****Apply for:**

Nissan Cherry III	Saloon	04.82-10.87
Nissan Laurel	Saloon	03.77-05.83
Nissan Prairie	Saloon	12.82-10.88
Nissan Stanza	Saloon	08.81-12.85
Nissan Sunny I	Saloon	03.82-08.90
Nissan Vanette	Box	06.81-12.87
Nissan Bluebird	Saloon	01.80-06.88
Nissan Bluebird	Coupe	01.80-05.84
Nissan Bluebird	Estate	01.80-05.84
Nissan Urvan	Bus	12/82-11/88
Nissan Urvan	Box	12/82-05/87

SR0039.02

**Dimension
(mm)**

**Thickness
(mm)**

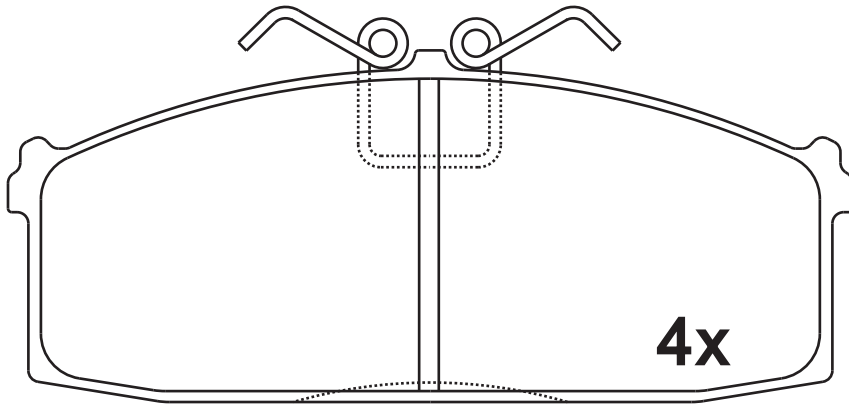


NOTE

4 identical;

111.7×44

14.5



20718

Apply for:

Nissan Comm.B 1600,2000,2200	82-86
Nissan Laurel 200L,280i	80-81
Nissan Skyline 4 CUL1.8L,2.0GL	82-87
Nissan Skyline CYL2.8GTX	82-87
Nissan Bluebird	09/81-11/83
Nissan Laurel	01/81-12/83
Nissan Vanette	85-86

版次: A/3

SR0040.01

**Dimension
(mm)**

128.4/126.7×51.5/55

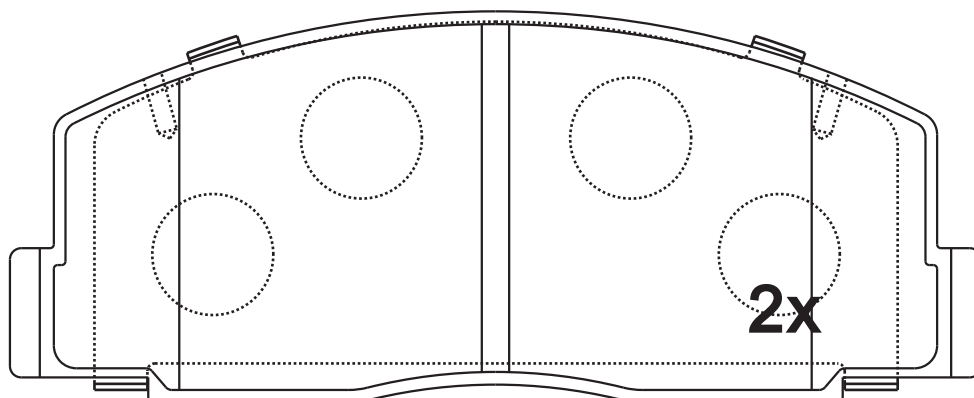
**Thickness
(mm)**

15.5

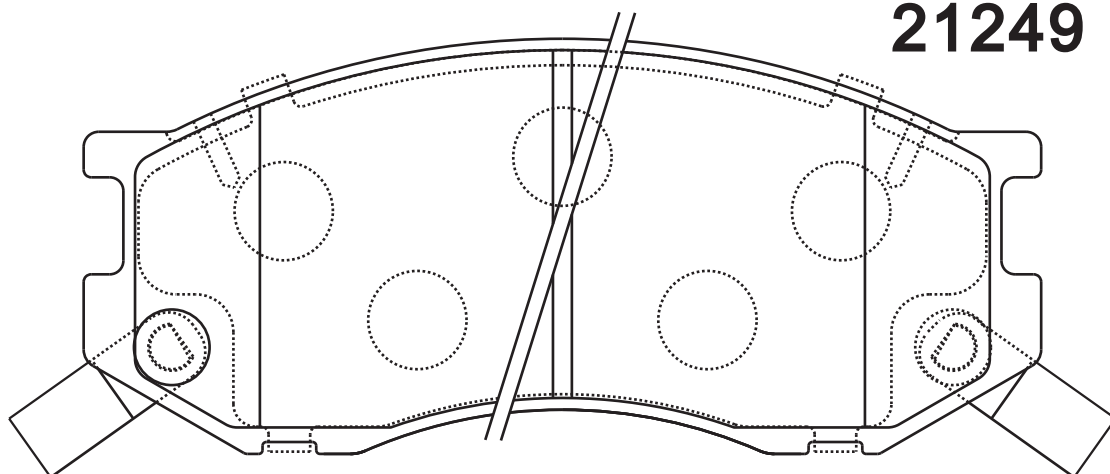


NOTE

**2 identical; 2 identical,
1 with acoustic indicator
(right), 1 with acoustic
indicator(left).**



21249



20182

20186

Apply for:

Toyota Liteace
Toyota Liteace
Toyota Modell

Bus
Box
Bus

07.89-01.92
10.85-07.88
11.82-01.90

SR0041.01

**Dimension
(mm)**

108.7×40.5

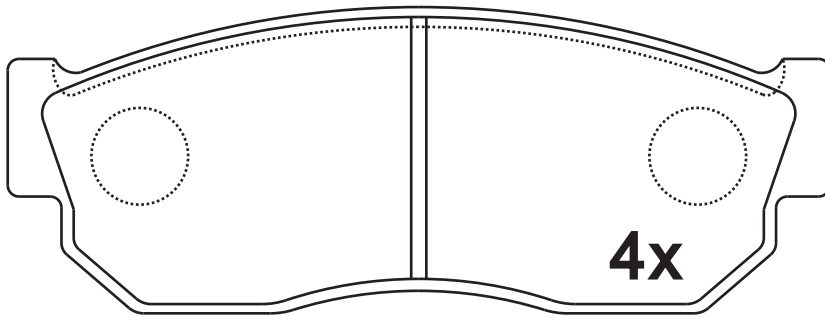
**Thickness
(mm)**

16



NOTE

4 identical;



20958

Apply for:

Nissan Sunny I	Saloon	03.82-09.87
Nissan Sunny I	Coupe	03.82-10.86
Nissan Sunny I	Estate	03.82-08.90
Nissan Sunny II	Hatchback	06.86-10.90
Nissan Sunny II	Saloon	06.86-08.91
Nissan Cherry	Hatchback	05.82-10.86
Subaru Justy	Hatchback	11.84-11.94
Subaru Libero	Bus	01.83-02.00

SR0042.01**Dimension
(mm)**

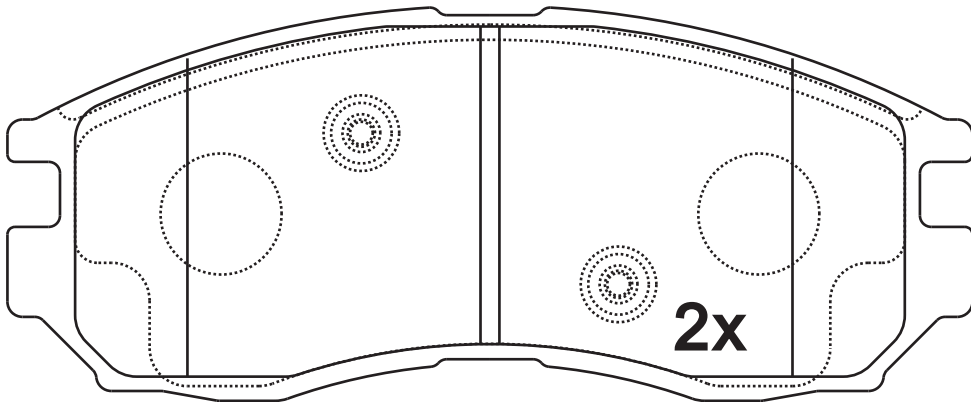
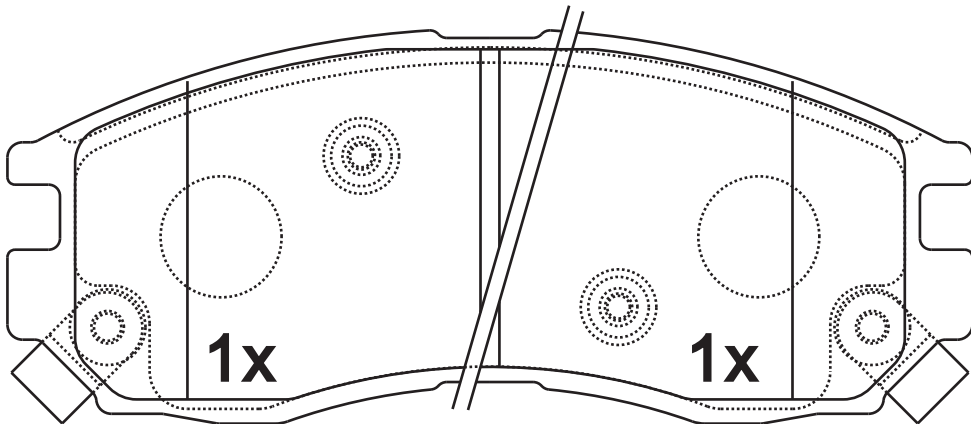
127.6×52

**Thickness
(mm)**

16



**NOTE**

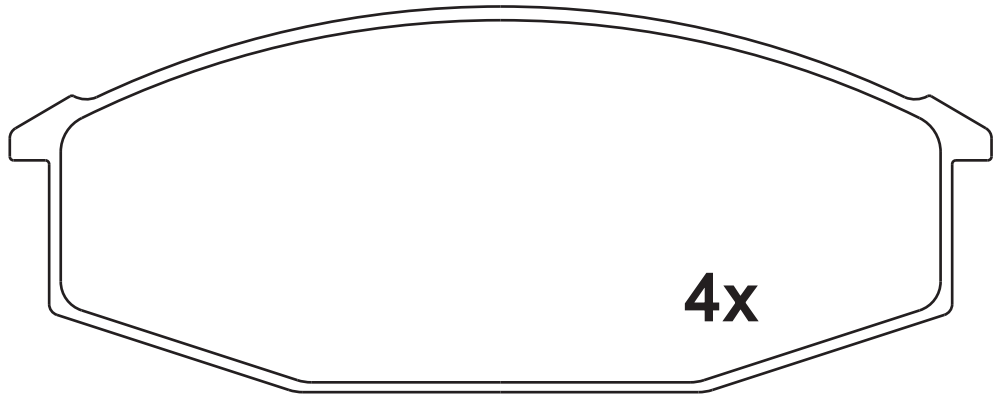
4 identical, 1 with acoustic indicator(right), 1 with acoustic indicator(left).

**21647****21649****21648****Apply for:**

Mitsubishi Eclipse II	Coupe	12.95-04.99
Mitsubishi Space Wagon	MPV	10.91-10.98
Mitsubishi Colt III	Hatchback	06.90-05.92
Mitsubishi Colt IV	Hatchback	04.92-04.96
Mitsubishi Galant IV	Hatchback	11.88-12.92
Mitsubishi Galant IV	Saloon	11.87-10.92
Mitsubishi Galant V	Hatchback	11.92-08.96
Mitsubishi Galant V	Saloon	11.92-08.96
Mitsubishi Galant VI	Saloon	09.96-10.04
Mitsubishi Galant VI	Estate	09.96-10.03
Mitsubishi Lancer IV	Hatchback	11.89-05.94
Mitsubishi Lancer V	Estate	12.92-10.03
Mitsubishi Space Runner	MPV	10.91-08.99
Mitsubishi Santamo	MPV	05.99-

SR0043.01

Dimension (mm)	Thickness (mm)		NOTE
129.8×51	16.5		4 identical;



20628

Apply for:

Nissan 280 ZX	Saloon	70.78-05.84
Nissan Urvan	Box	07.80-11.98
Toyota Crown	Saloon	04.80-03.85
Toyota Crown	Station Wagon	09.80-09.83

SR0044.01

**Dimension
(mm)**

**Thickness
(mm)**



NOTE

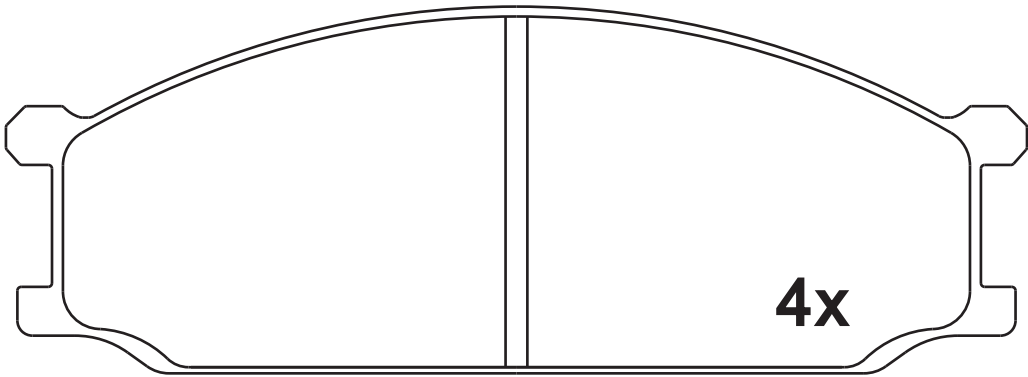
4 identical;

135×48.5

16



无模具



20851

Apply for:

Mitsubishi L300
Mitsubishi Delica

Box
Bus

1980-1986
09.81-10.86

SR0045.01

**Dimension
(mm)**

137.5×54.4

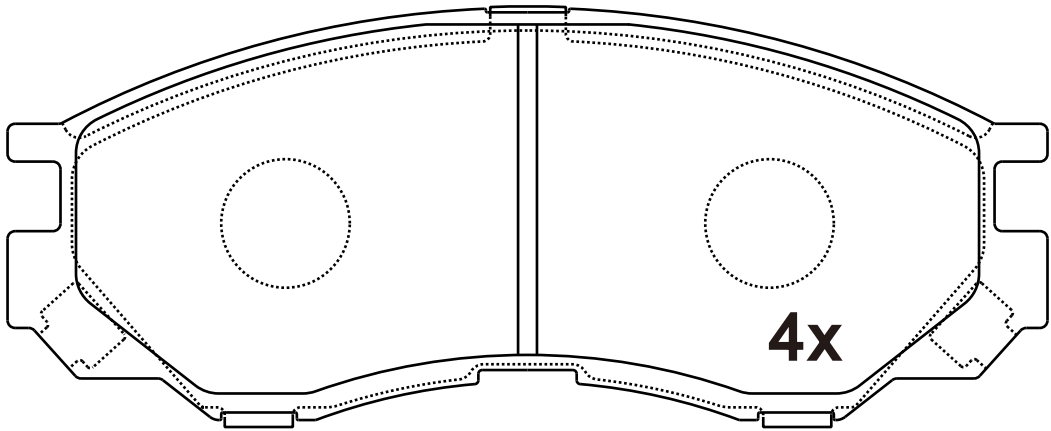
**Thickness
(mm)**

15.5

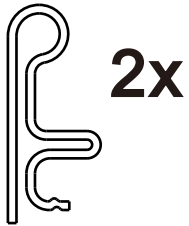


NOTE

4 identical;



23290



Apply for:

Mitsubishi L200

Mitsubishi L400

Mitsubishi Space Gear

Pickup

Box

MPV

06.96-12.07

06.96-10.02

05.95-05.00

SR0046.01

**Dimension
(mm)**

137.8×48.7
137.6×50.5

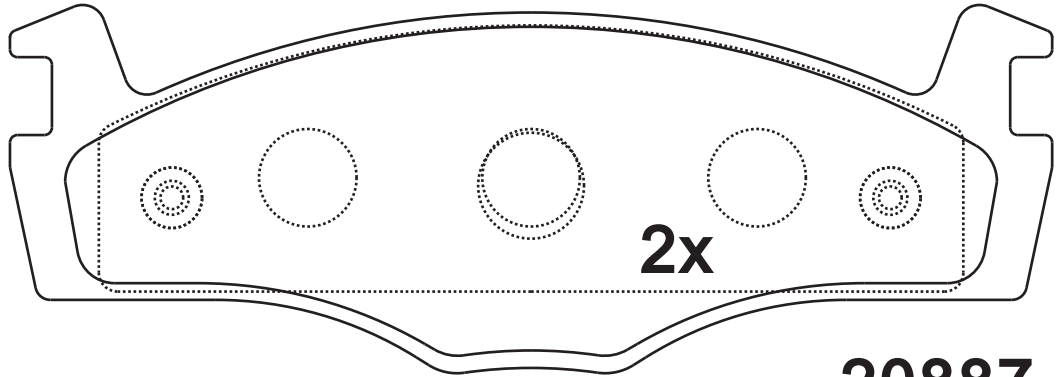
**Thickness
(mm)**

19.7

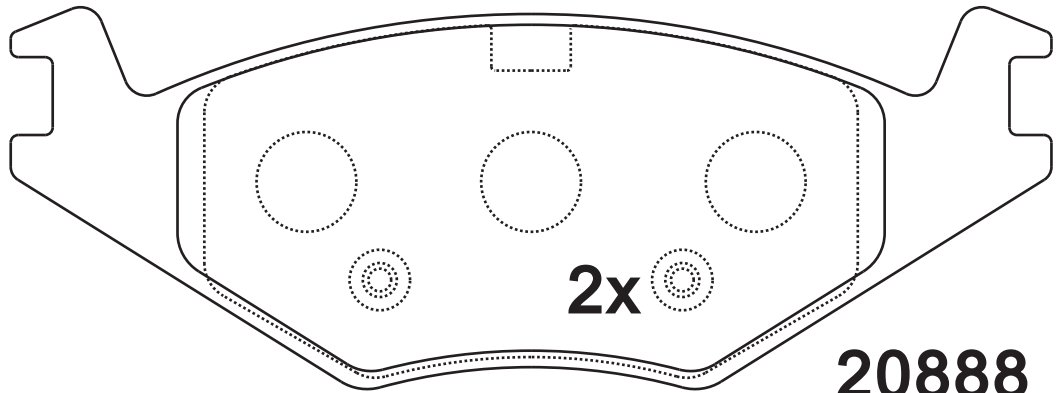


NOTE

2 identical;2 identical;



20887



20888

Apply for:

Seat Cordoba

Seat Toledo I

Volkswagan Golf III

Volkswagan Golf III Variant

Volkswagan Passat

Saloon

Hatchback

Hatchback

Estate

Saloon

02.93-06.99

05.91-12.96

11.91-08.97

07.93-04.99

01.85-03.88

SR0046.02

**Dimension
(mm)**

137.8×48.7
137.6×50.5

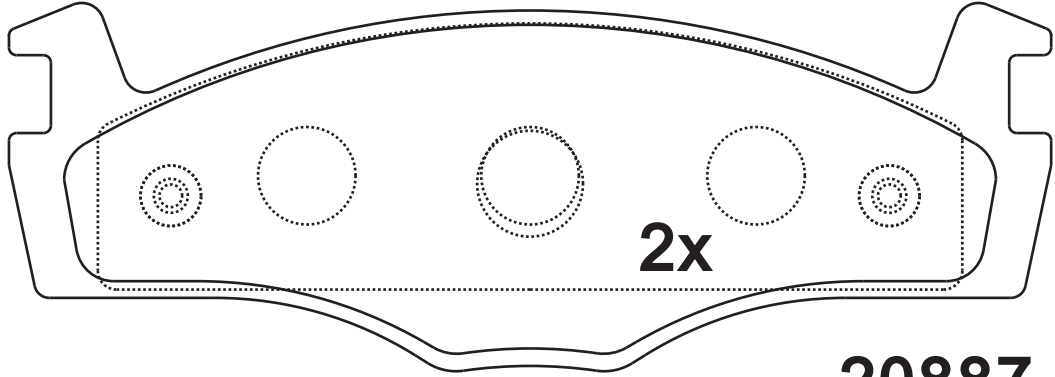
**Thickness
(mm)**

17.3

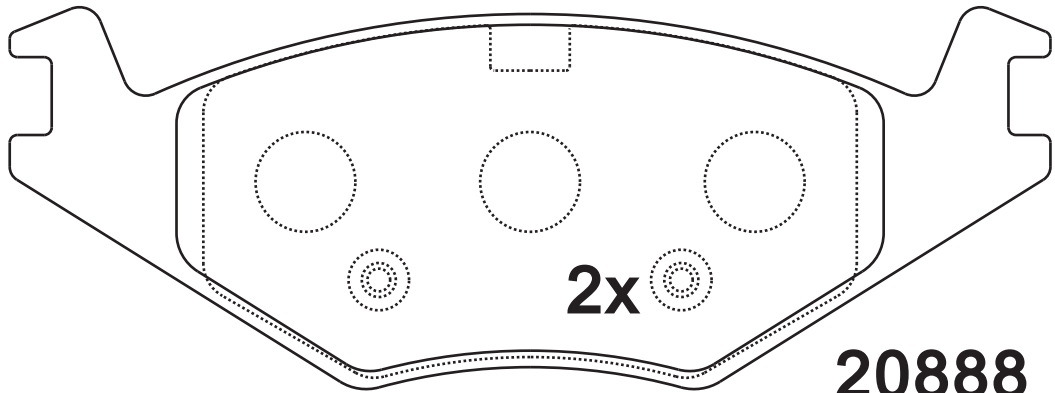


NOTE

2 identical;2 identical;



20887



20888

Apply for:

Seat Cordoba

Saloon

02.93-06.99

SR0046.03

**Dimension
(mm)**

137.8×48.7
137.6×50.5

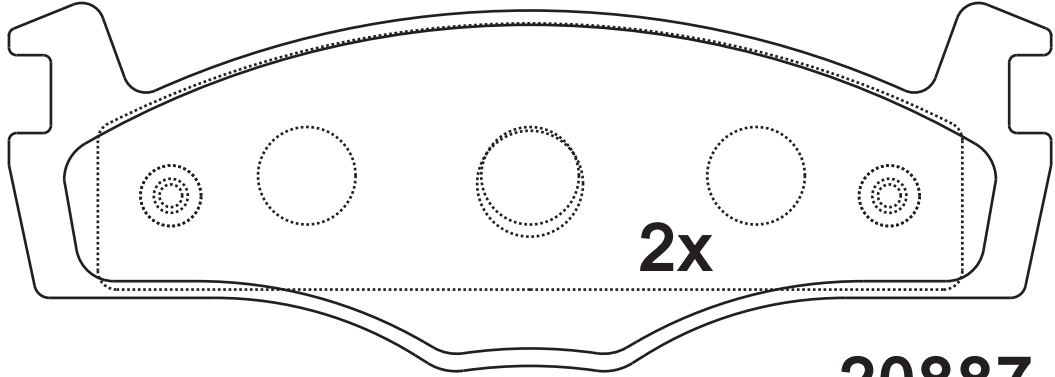
**Thickness
(mm)**

15.5

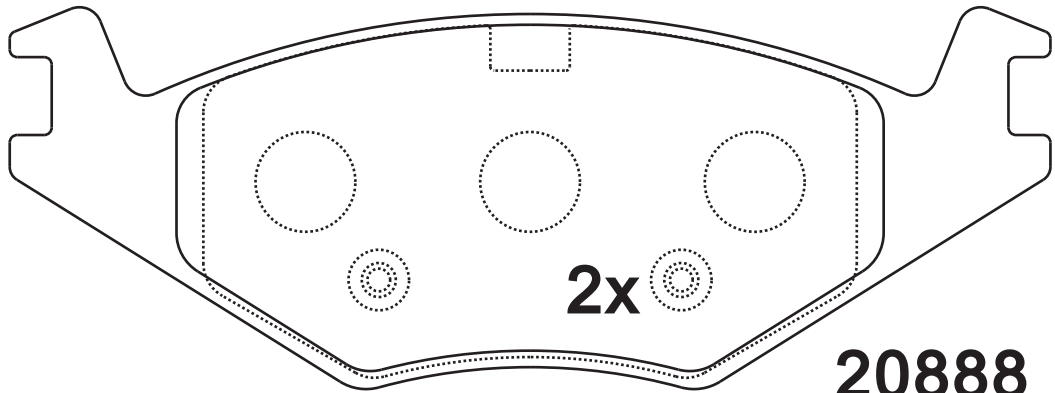


NOTE

2 identical; 2 identical;



20887



20888

Apply for:

Seat Cordoba

Saloon

02.93-06.99

SR0046.04

**Dimension
(mm)**

137.6×50.5

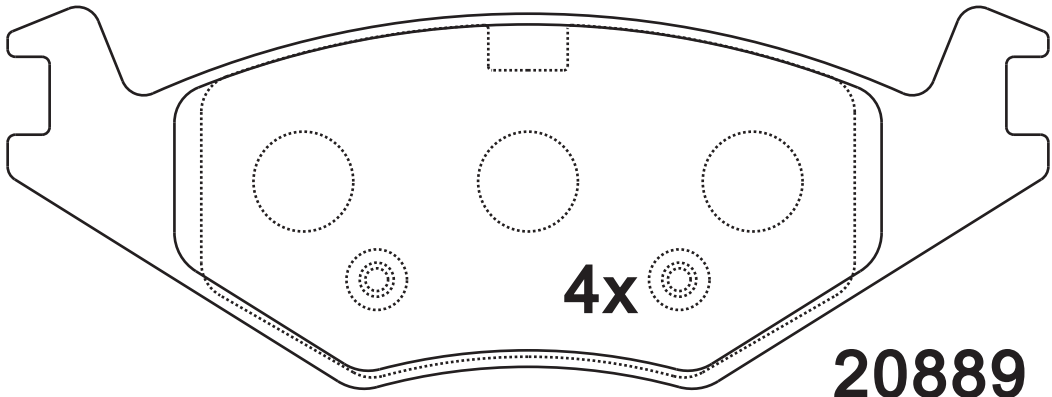
**Thickness
(mm)**

17.3



NOTE

4 identical;



Apply for:

Seat Cordoba

Saloon

12.97-04.99

SR0046

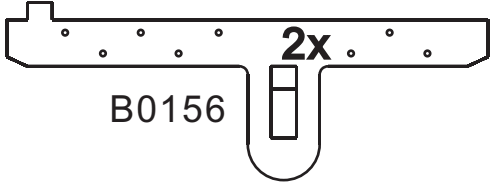
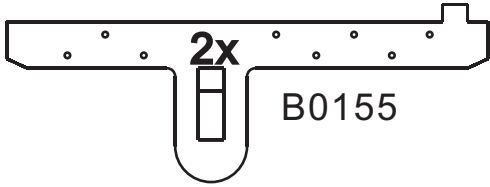
**Dimension
(mm)**

**Thickness
(mm)**



NOTE

**附件包
Accessory bag**



FJB0046.01

SR0047.01

**Dimension
(mm)**

126.7/128.2×55/52

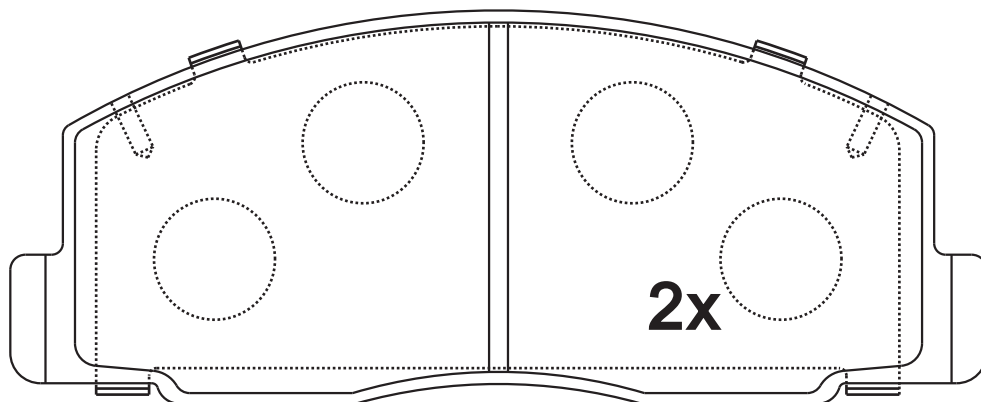
**Thickness
(mm)**

15.5

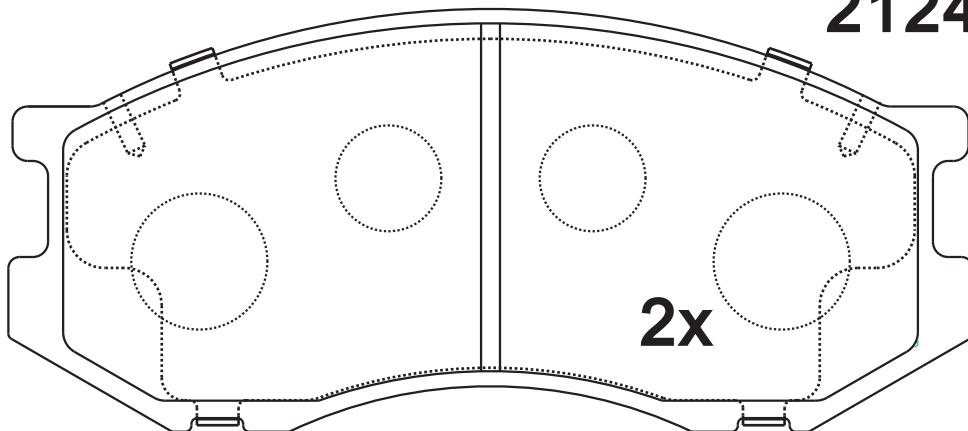


NOTE

2 identical;2 identical;



21248



21249

Apply for:

Toyota Liteace

Box

10.85-08.91

SR0048.01

**Dimension
(mm)**

**Thickness
(mm)**

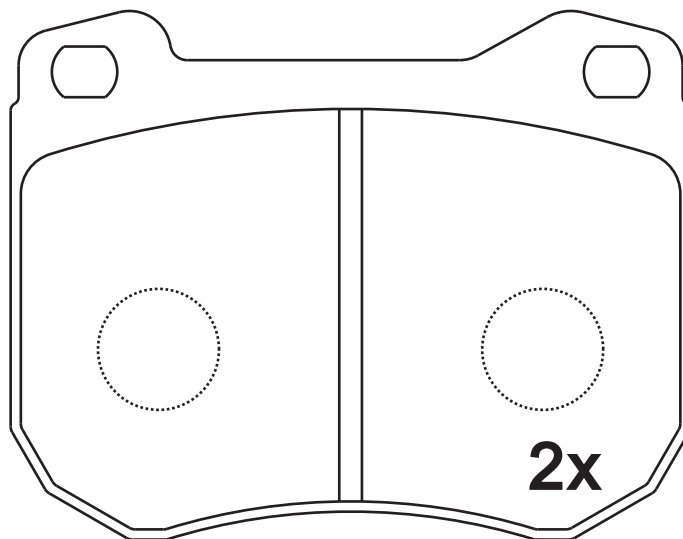


NOTE

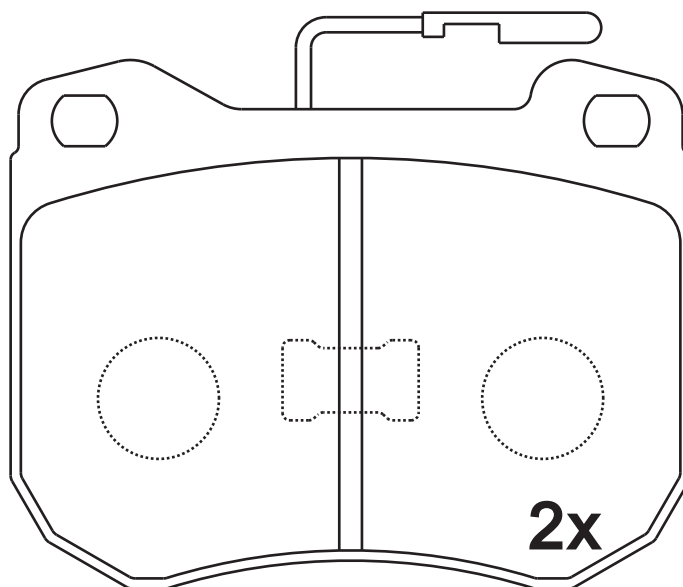
**2 identical; 2 identical
prepare for wear indicator**

89.9×70

19



20455



20518


Apply for:

Peugeot 504
Peugeot 505
Peugeot 505
Peugeot 604

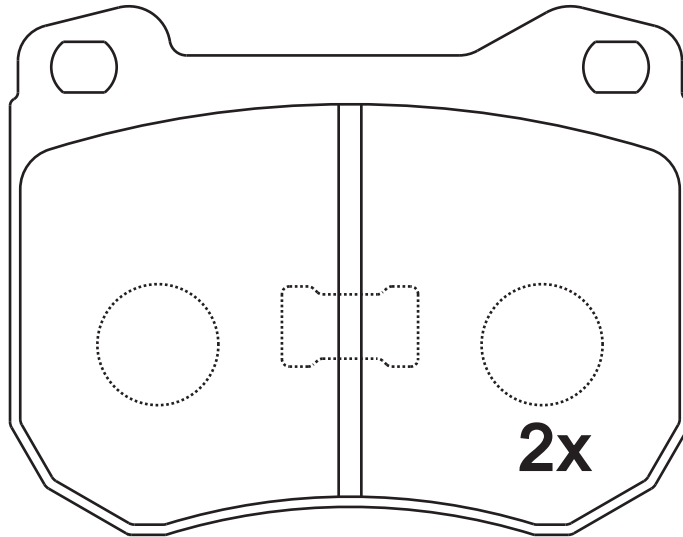
Coupe
Saloon
Estate
Saloon

10.77-08.84
08.83-09.95
04.82-12.93
08.77-07.87

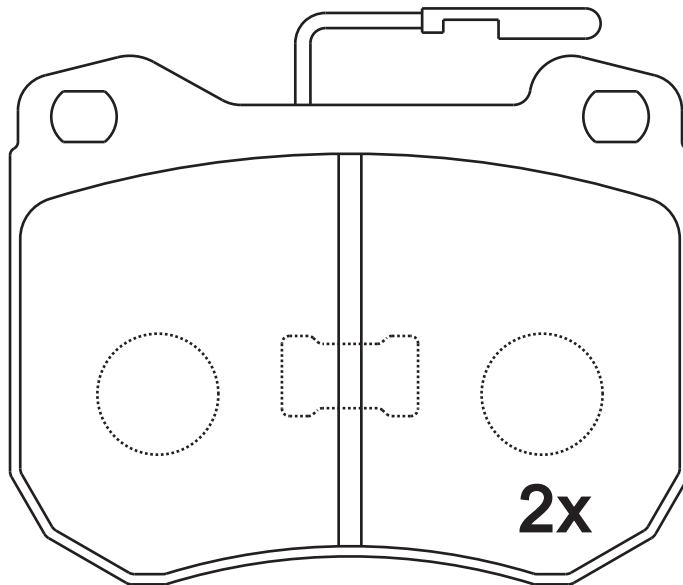
SR0048.02

Dimension (mm)	Thickness (mm)	
89.9×70	19	

NOTE
2 identical; 2 identical
prepare for wear indicator



20455



Apply for:

Peugeot 504	Coupe	10.77-08.84
Peugeot 505	Saloon	08.83-09.95
Peugeot 505	Estate	04.82-12.93
Peugeot 604	Saloon	08.77-07.87

SR0048.03

**Dimension
(mm)**

**Thickness
(mm)**

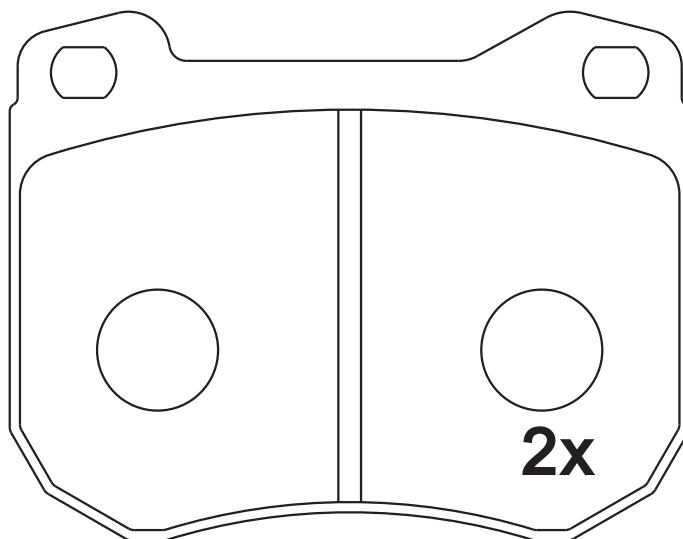


NOTE

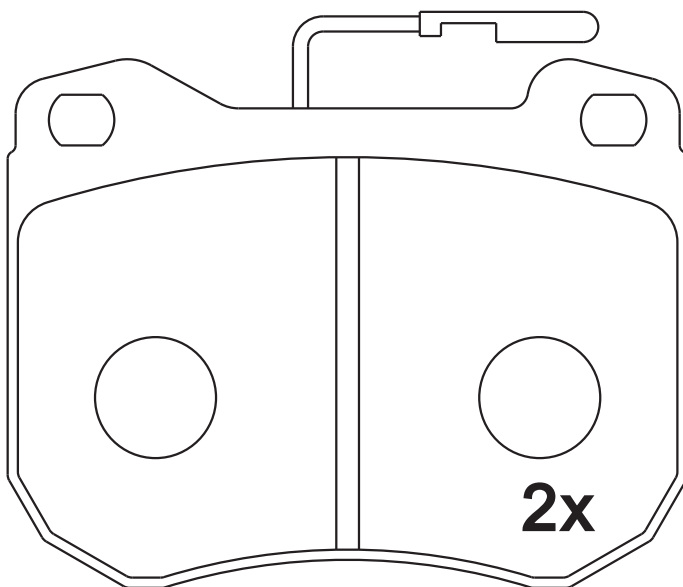
**2 identical; 2 identical
prepare for wear indicator**

89.9×70

19



20455



Apply for:

Peugeot 504
Peugeot 505
Peugeot 505
Peugeot 604

Coupe
Saloon
Estate
Saloon

10.77-08.84
08.83-09.95
04.82-12.93
08.77-07.87

SR0048.04

**Dimension
(mm)**

**Thickness
(mm)**

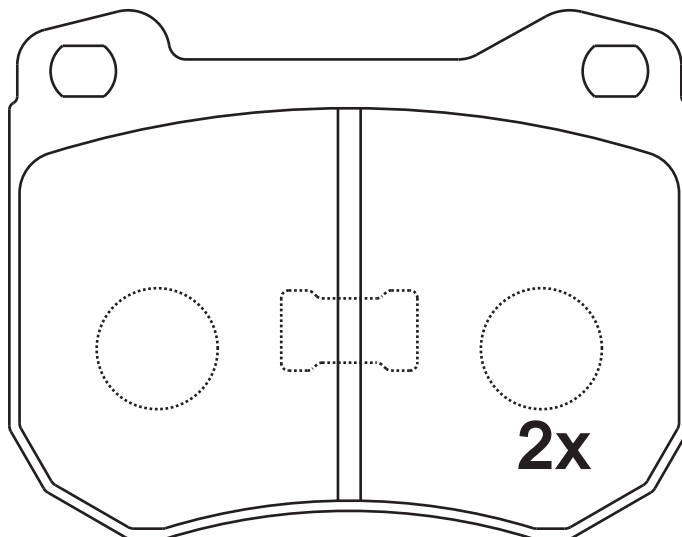


NOTE

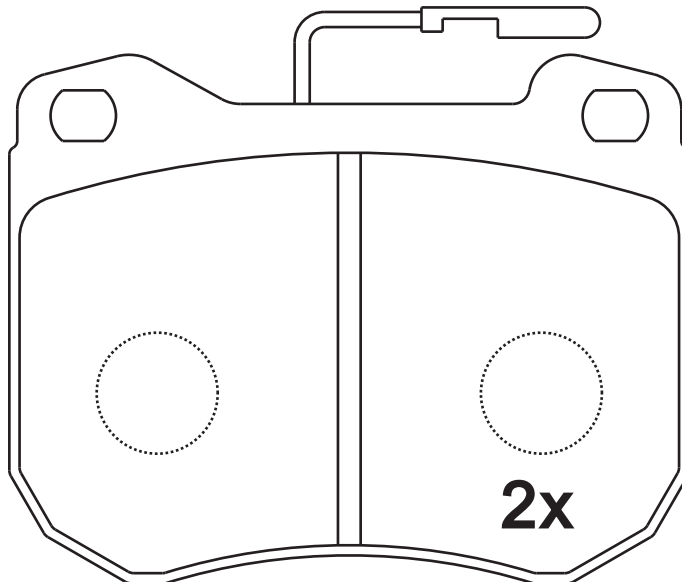
**2 identical; 2 identical
prepare for wear indicator**

89.9×70

19



20455



Apply for:

Peugeot 504
Peugeot 505
Peugeot 505
Peugeot 604

Coupe
Saloon
Estate
Saloon

10.77-08.84
08.83-09.95
04.82-12.93
08.77-07.87

SR0048.05

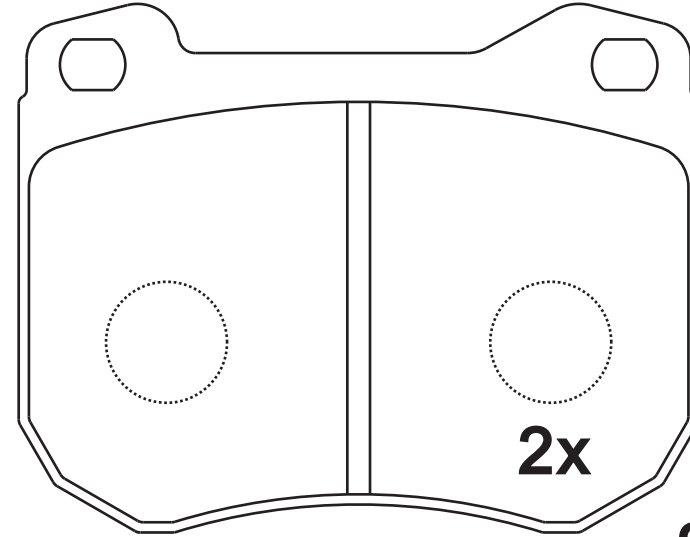
**Dimension
(mm)**

**Thickness
(mm)**

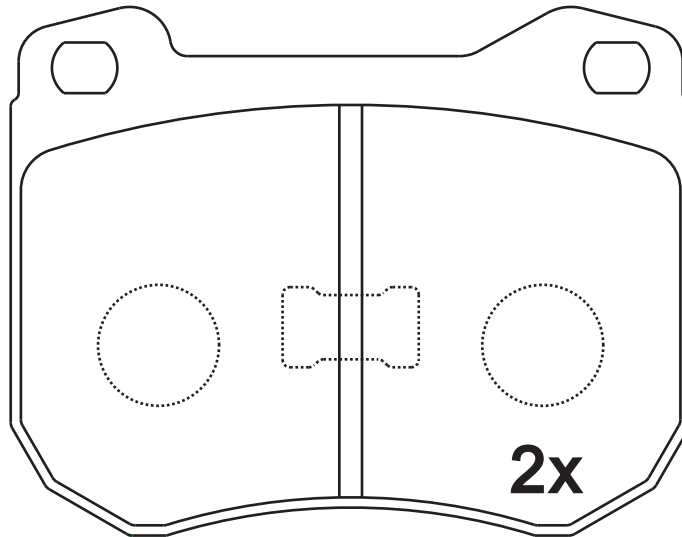


NOTE

**2 identical; 2 identical
prepare for wear indicator**



20455



Apply for:

Peugeot 504	Coupe	10.77-08.84
Peugeot 505	Saloon	08.83-09.95
Peugeot 505	Estate	04.82-12.93
Peugeot 604	Saloon	08.77-07.87

SR0049.01

**Dimension
(mm)**

**Thickness
(mm)**

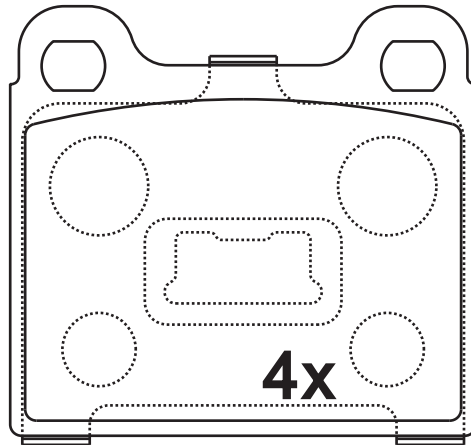


NOTE

4 identical;

61.63×56.9

15.3



20228

Apply for:

Audi 50	Saloon	08.74-07.78
Audi 80	Saloon	05.72-08.86
Audi 100	Saloon	11.68-07.76
Volkswagan Derby	Saloon	02.77-12.84
Volkswagan Golf I	Saloon	04.74-12.85
Volkswagan Jetta I	Saloon	08.78-02.84
Volkswagan Passat	Saloon	11.79-06.89
Volkswagan Polo	Saloon	03.75-09.94
Volkswagan Polo	Coupe	10.81-09.94
Volkswagan Santana	Saloon	08.81-12.85
Volkswagan Scirocco	Coupe	06.76-07.80

SR0049.02

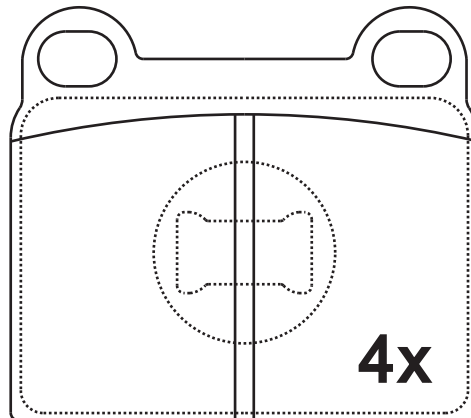
**Dimension
(mm)**

**Thickness
(mm)**



NOTE

4 identical;



20228

Apply for:

Audi 80
Volkswagen Golf I
Volkswagen Jetta I

1972/05-1978/07
1974/04-1985/12
1978/08-1987/12

SR0050.01

**Dimension
(mm)**

116×54.8

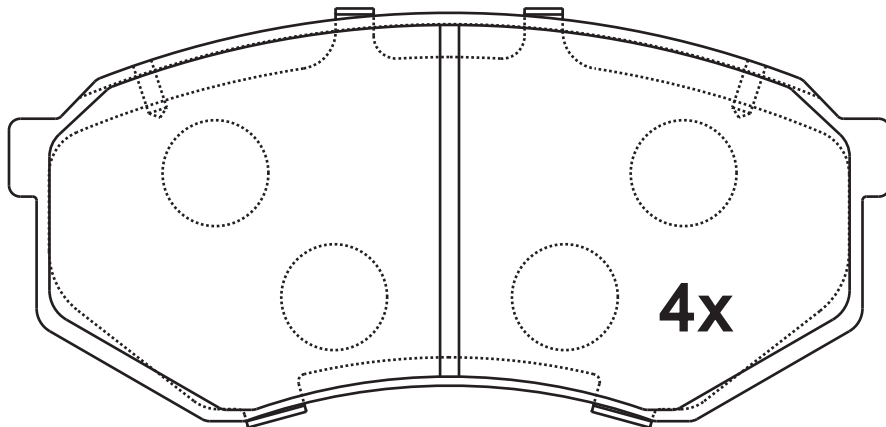
**Thickness
(mm)**

15



NOTE

4 identical;



21537

Apply for:

Mazda 929 III	Saloon	05.87-06.91
Mitsubishi Sapporo II	Coupe	08.82-08.83
Mitsubishi Starion	Coupe	06.82-06.90

SR0051.01**Dimension
(mm)**

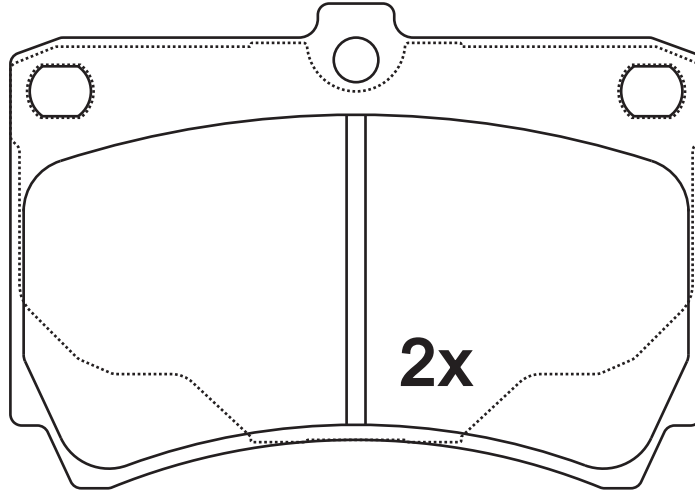
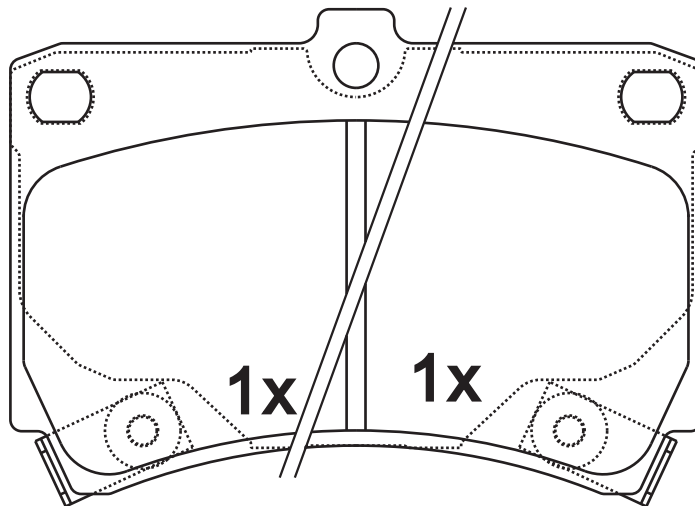
91.4×64.1

**Thickness
(mm)**

15

**NOTE**

4 identical, 1 with
acoustic indicator (left),
1 with acoustic indicator
(right).

**21654****21655****21656****Apply for:**

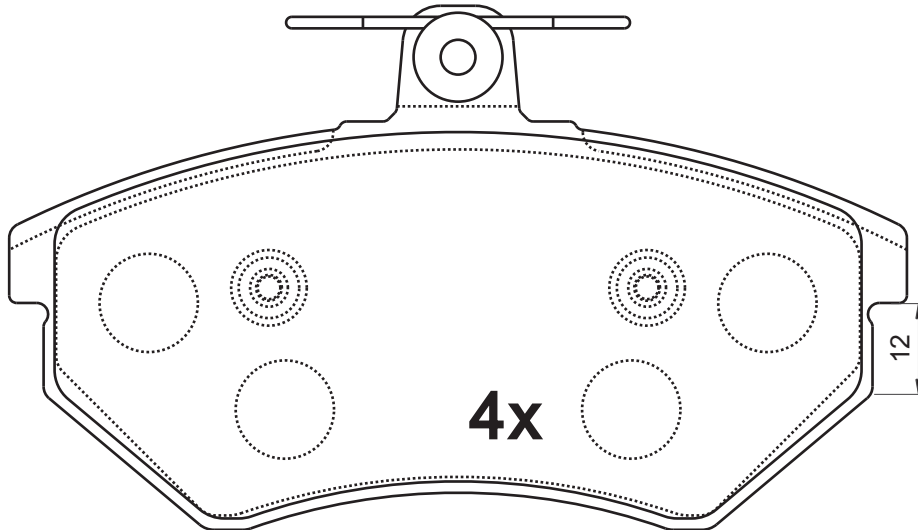
Kia Rio	Saloon	09.00-02.05
Kia Rio	Estate	08.00-02.05
Mazda 121 II	Saloon	11.90-03.96
Mazda 323 C IV	Hatchback	08.89-09.98
Mazda 323 C V	Hatchback	08.94-09.98
Mazda 323 F IV	Hatchback	09.89-10.94
Mazda 323 F V	Coupe	07.94-09.98
Mazda Demio	Estate	08.98-

SR0052.01**Dimension
(mm)**

118.7×69.3

**Thickness
(mm)**

19.3

**NOTE****4 identical;****20168****Apply for:**

Volkswagan Passat	Saloon	04.88-07.93
Volkswagan Passat Variant	Estate	04.88-05.97
Volkswagan Corrado	Coupe	08.91-12.95
Volkswagan Golf II	Hatchback	02.86-10.91
Volkswagan Jetta II	Saloon	08.86-10.91
Volkswagan Scirocco	Coupe	10.85-07.92
Seat Ibiza II	Hatchback	03.93-08.99
Seat Toledo I	Hatchback	05.91-03.99

SR0052.02

**Dimension
(mm)**

118.7×69.3

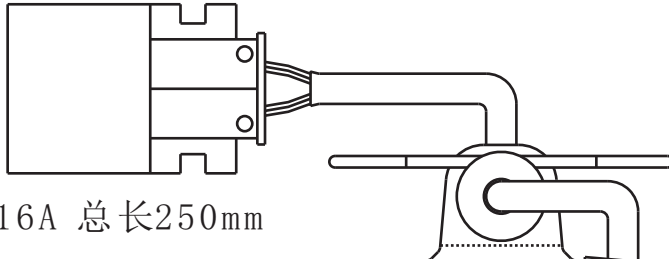
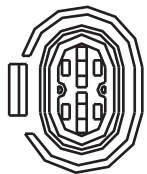
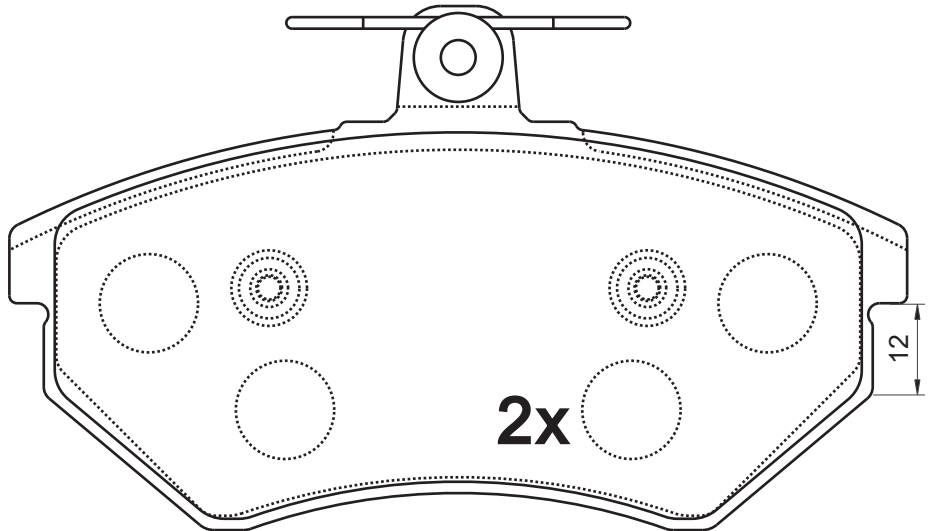
**Thickness
(mm)**

19.3



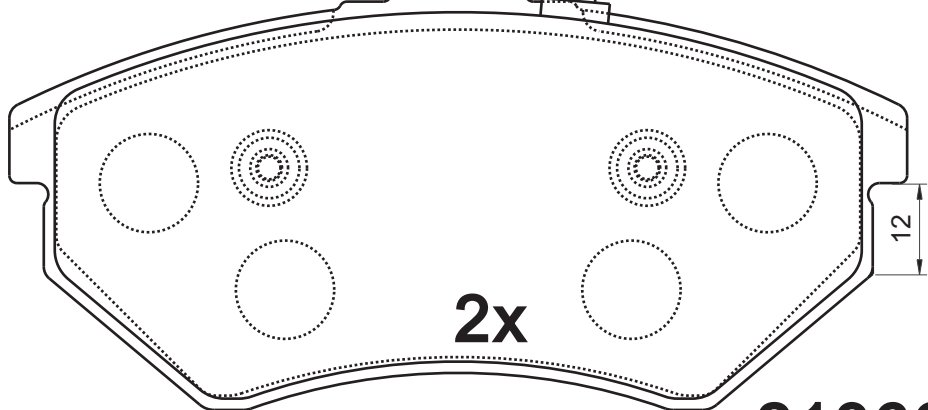
NOTE

4 identical, 2 with warn indicators.



20168

X0316A 总长250mm



21366

Apply for:

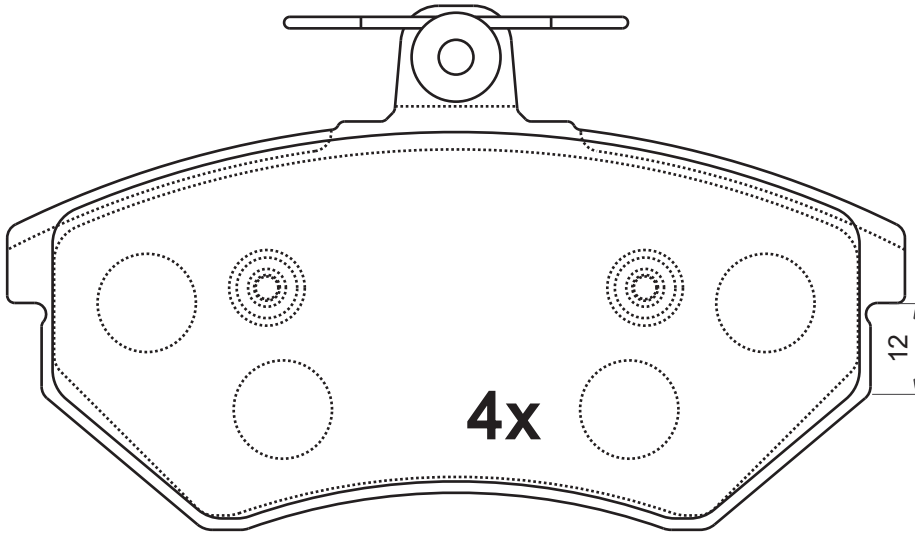
Volkswagan Passat	Saloon	04.88-07.93
Volkswagan Passat Variant	Estate	04.88-05.97
Volkswagan Corrado	Coupe	08.91-12.95
Volkswagan Golf II	Hatchback	02.86-10.91
Volkswagan Jetta II	Saloon	08.86-10.91
Volkswagan Scirocco	Coupe	10.85-07.92
Seat Ibiza II	Hatchback	03.93-08.99
Seat Toledo I	Hatchback	05.91-03.99

SR0052.03**Dimension
(mm)**

118.7×69.3

**Thickness
(mm)**

16

**NOTE****4 identical;****20168****Apply for:**

Volkswagan Passat	Saloon	04.88-07.93
Volkswagan Passat Variant	Estate	04.88-05.97
Volkswagan Corrado	Coupe	08.91-12.95
Volkswagan Golf II	Hatchback	02.86-10.91
Volkswagan Jetta II	Saloon	08.86-10.91
Volkswagan Scirocco	Coupe	10.85-07.92
Seat Ibiza II	Hatchback	03.93-08.99
Seat Toledo I	Hatchback	05.91-03.99

SR0052.04

**Dimension
(mm)**

118.7×69.3

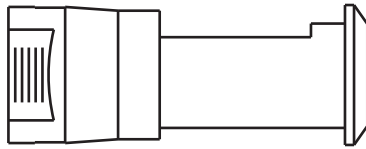
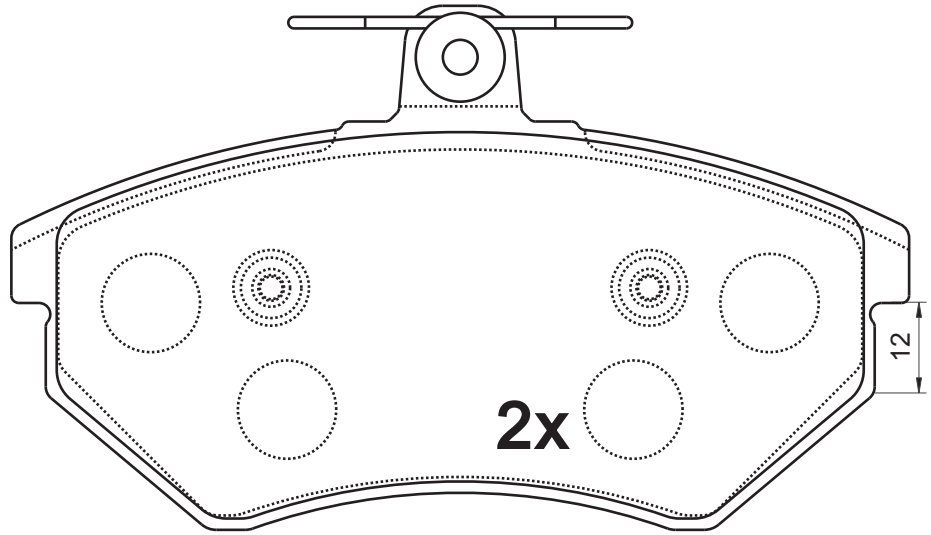
**Thickness
(mm)**

16

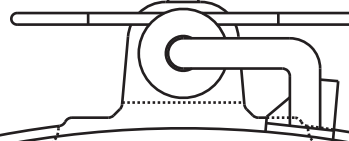


NOTE

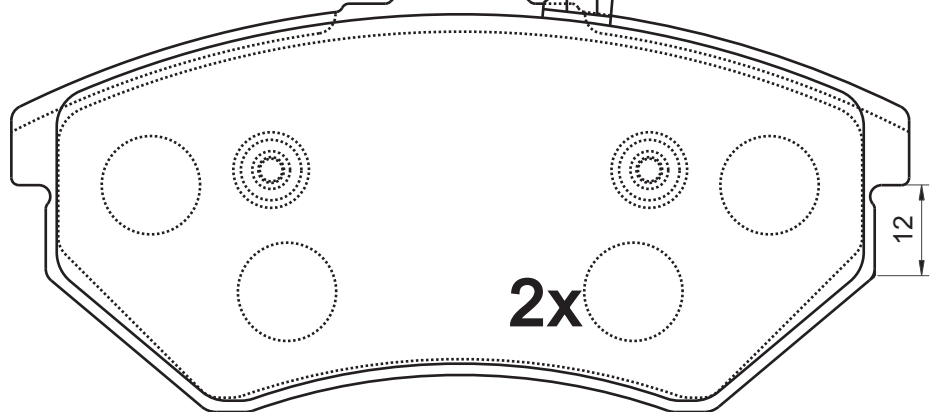
4 identical, 2 with warn indicators.



X0006A 总长225mm



20168



21366

Apply for:

Volkswagan Passat	Saloon	04.88-07.93
Volkswagan Passat Variant	Estate	04.88-05.97
Volkswagan Corrado	Coupe	08.91-12.95
Volkswagan Golf II	Hatchback	02.86-10.91
Volkswagan Jetta II	Saloon	08.86-10.91
Volkswagan Scirocco	Coupe	10.85-07.92
Seat Ibiza II	Hatchback	03.93-08.99
Seat Toledo I	Hatchback	05.91-03.99

SR0052.05

**Dimension
(mm)**

119×69.5

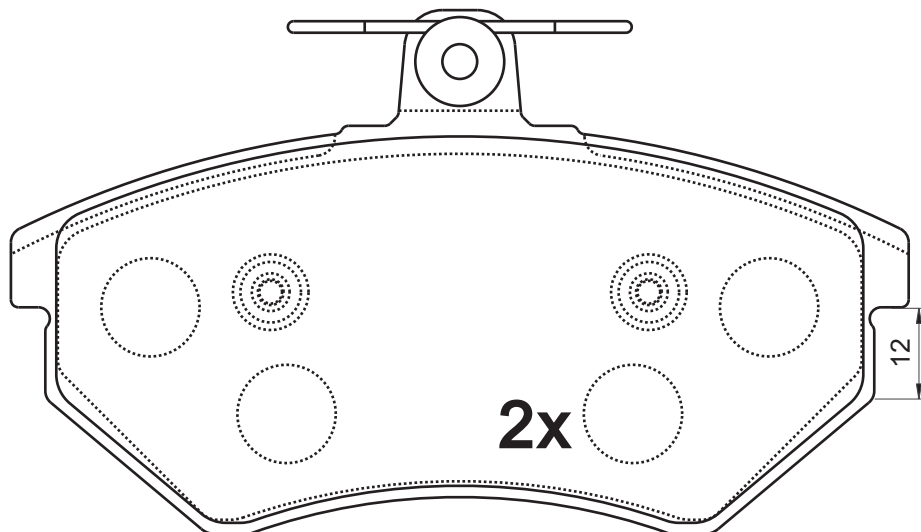
**Thickness
(mm)**

16

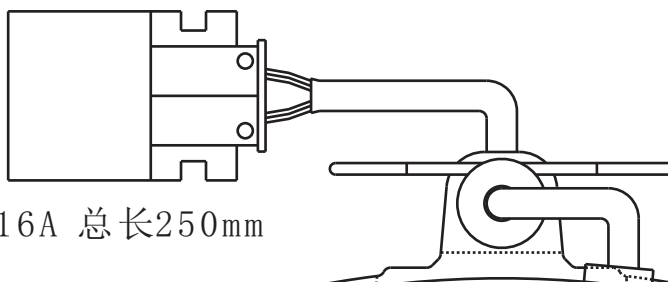


NOTE

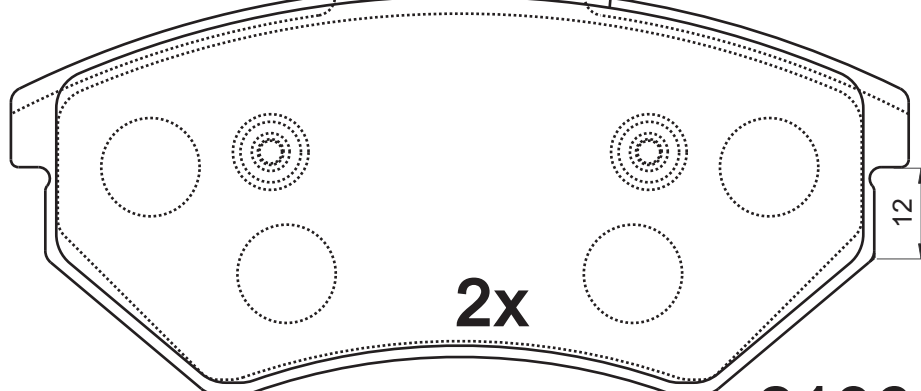
4 identical, 2 with warn indicators.



X0316A 总长250mm



20168



21366

Apply for:

Volkswagan Passat	Saloon	04.88-07.93
Volkswagan Passat Variant	Estate	04.88-05.97
Volkswagan Corrado	Coupe	08.91-12.95
Volkswagan Golf II	Hatchback	02.86-10.91
Volkswagan Jetta II	Saloon	08.86-10.91
Volkswagan Scirocco	Coupe	10.85-07.92
Seat Ibiza II	Hatchback	03.93-08.99
Seat Toledo I	Hatchback	05.91-03.99

SR0052.06

**Dimension
(mm)**

**Thickness
(mm)**

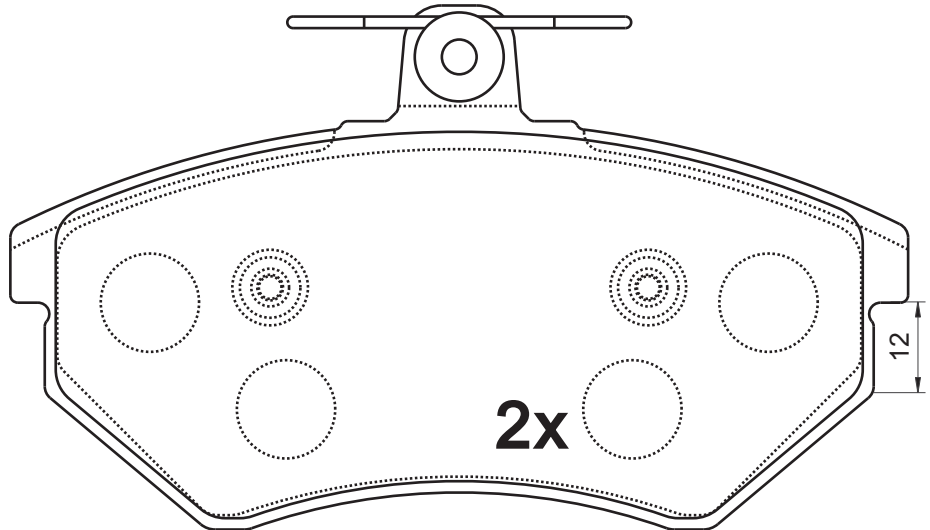


NOTE

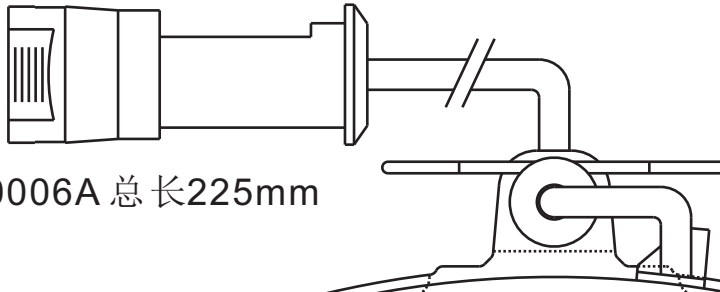
4 identical, 2 with warn indicators.

119×69.5

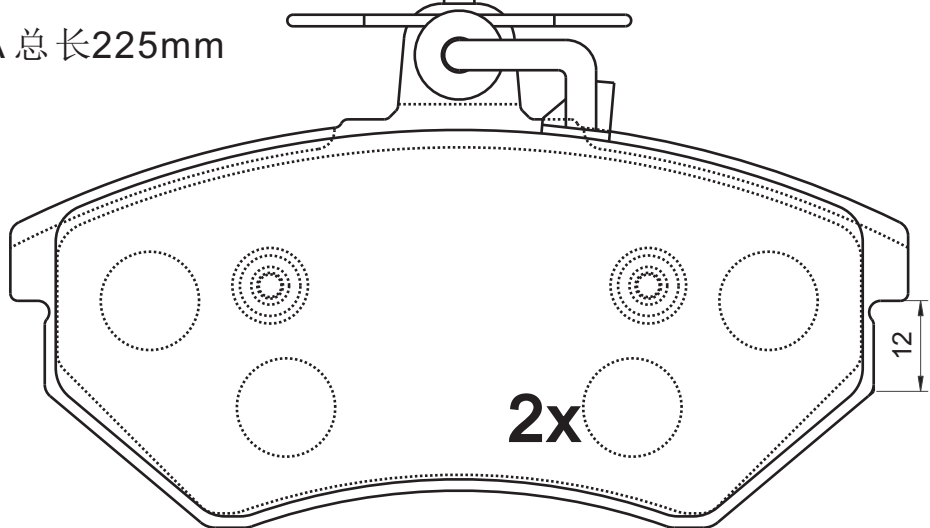
19.3



20168



X0006A 总长225mm



20167

Apply for:

Volkswagan Passat	Saloon	04.88-07.93
Volkswagan Passat Variant	Estate	04.88-05.97
Volkswagan Corrado	Coupe	08.91-12.95
Volkswagan Golf II	Hatchback	02.86-10.91
Volkswagan Jetta II	Saloon	08.86-10.91
Volkswagan Scirocco	Coupe	10.85-07.92
Seat Ibiza II	Hatchback	03.93-08.99
Seat Toledo I	Hatchback	05.91-03.99

SR0052.07

**Dimension
(mm)**

118.7×69.4

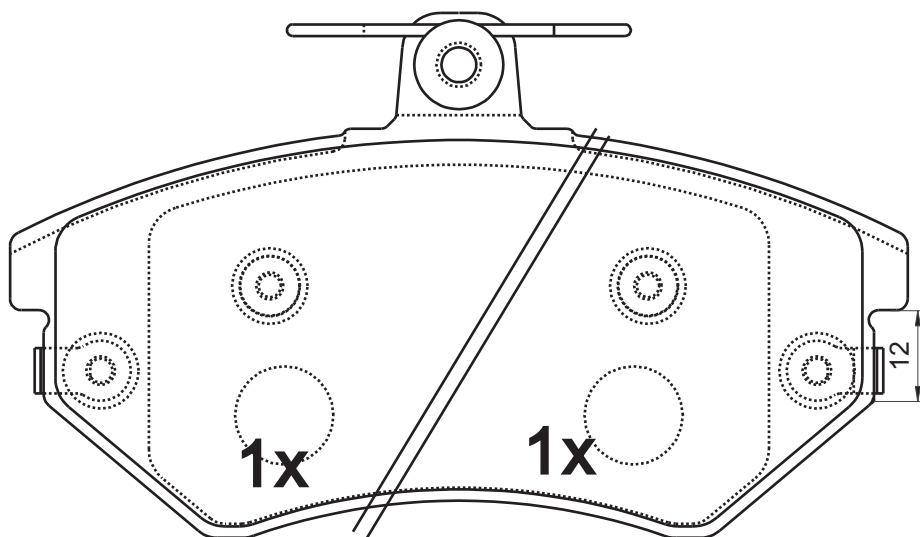
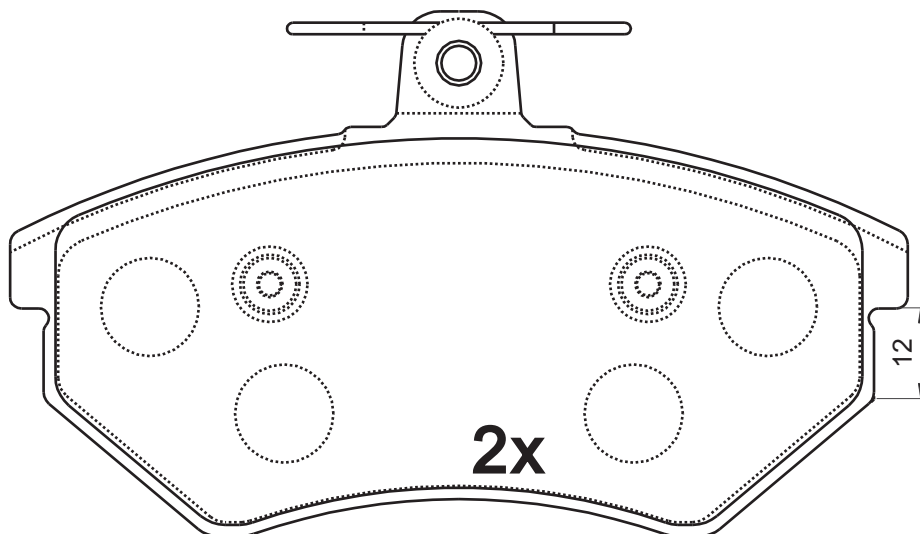
**Thickness
(mm)**

16



NOTE

4 identical, 2 with warn indicators.



QW12957

Apply for:

奇瑞 E3

SR0052.08

**Dimension
(mm)**

118.7×69.4

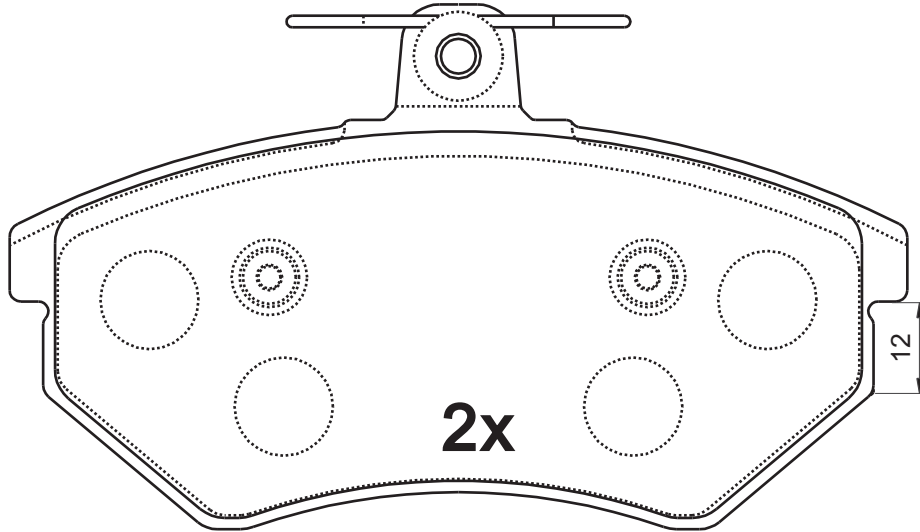
**Thickness
(mm)**

16

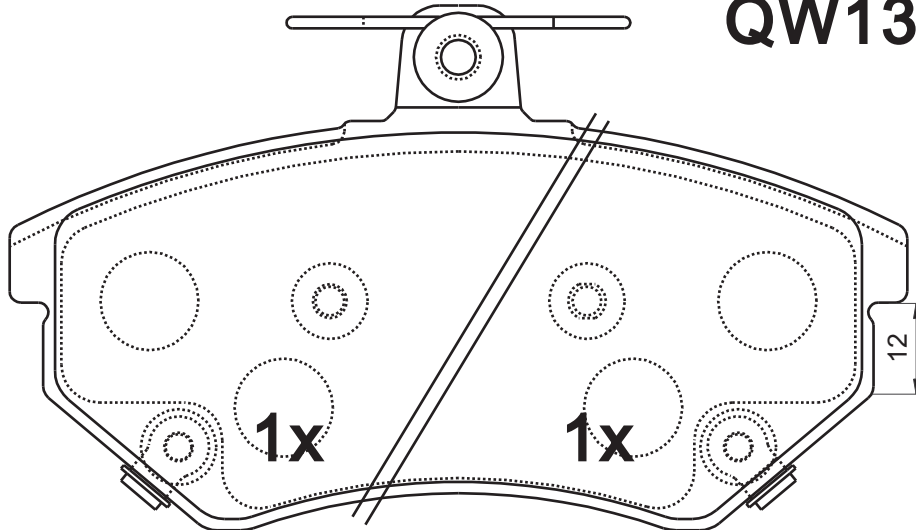


NOTE

4 identical, 2 with warn indicators.



QW13469



Apply for:

奇瑞 E3

SR0052

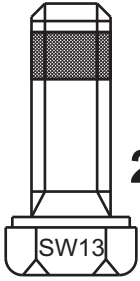
**Dimension
(mm)**

**Thickness
(mm)**



NOTE

**附件包
Accessory bag**



2x

M8×21
L0010
FJB0003.01



4x

M8×21
L0010
FJB0025.01

SR0053.01

**Dimension
(mm)**

120.8×48.6

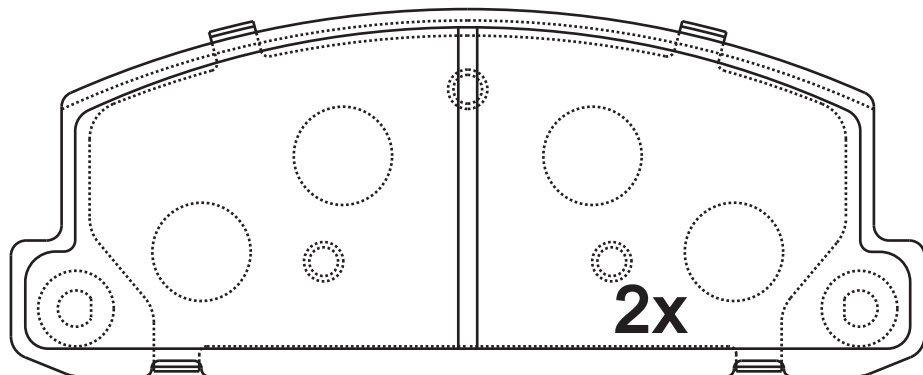
**Thickness
(mm)**

15.5

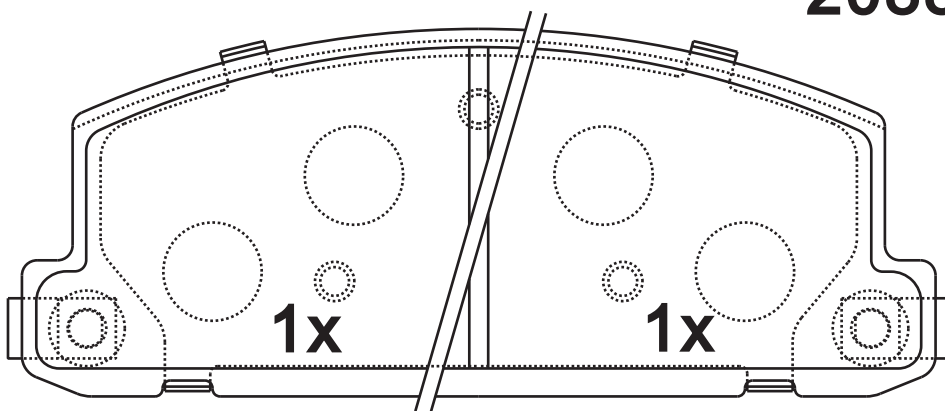


NOTE

4 identical, 1 with acoustic indicator (left), 1 with acoustic indicator (right).



20880



20881

20882

Apply for:

Isuzu Gemini
Isuzu Gemini
Isuzu Campo

Saloon
Hatchback
Pickup

02.88-12.90
02.88-12.93
06.85-12.88

SR0053.02

**Dimension
(mm)**

120.8×48.6

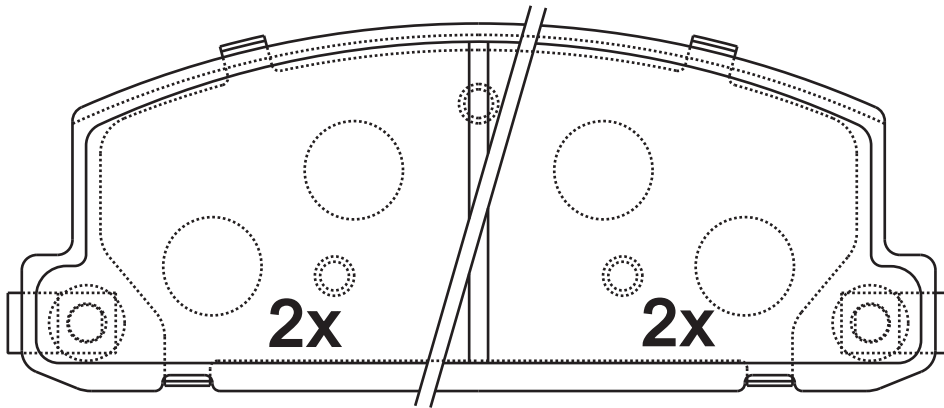
**Thickness
(mm)**

15.5



NOTE

2 identical with acoustic indicator (left), 2 identical with acoustic indicator (right).



20881

20882

Apply for:

Isuzu Gemini
Isuzu Gemini
Isuzu Campo

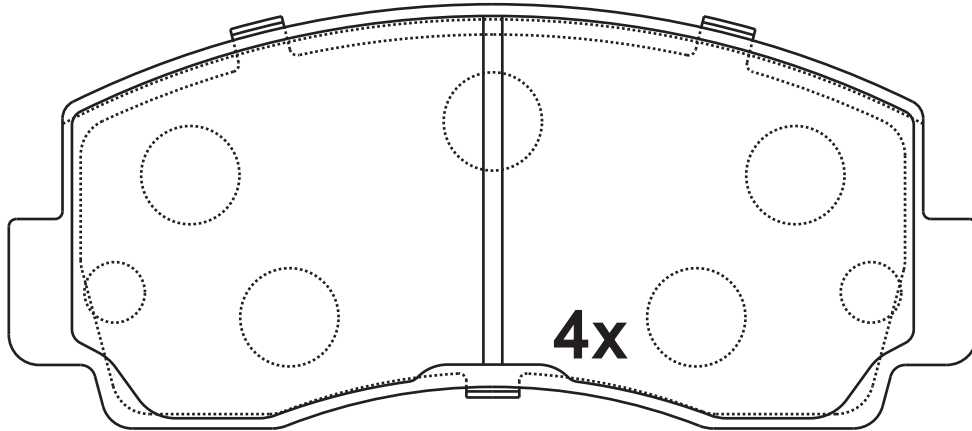
Saloon
Hatchback
Pickup

02.88-12.90
02.88-12.93
06.85-12.88

SR0054.01**Dimension
(mm)****Thickness
(mm)****NOTE****4 identical;**

128×56.1

15.5

**20476****Apply for:**

Toyota Cressida	Saloon	08.82-09.88
Toyota Cressida	Estate	11.84-09.88
Toyota Celica	Saloon	10.75-07.77
Toyota Celica	Hatchback	02.79-07.85
Mitsubishi Delica	Bus	04.83-
Mitsubishi Galant II	Saloon	09.80-05.84
Mitsubishi Galant II	Estate	09.80-05.84
Mitsubishi L300	Box	09.83-10.86
Mitsubishi Pajero I	Closed off-Road	01.90-12.91
Mitsubishi Pajero I	Open off-Road	12.82-11.90
Mitsubishi Pajero I	Open off-Road	12.82-11.90
Mitsubishi Sapporo I	Coupe	04.78-07.80
Mitsubishi Sapporo II	Coupe	08.80-09.84

SR0054.02**Dimension
(mm)**

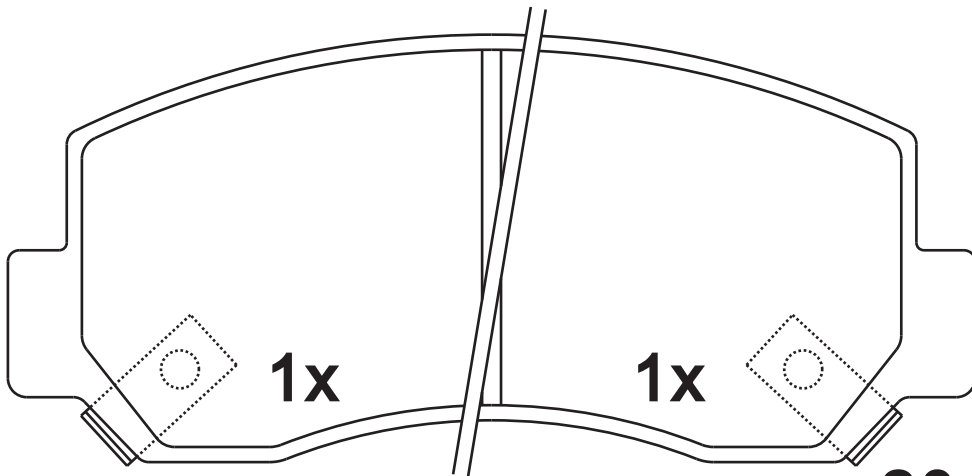
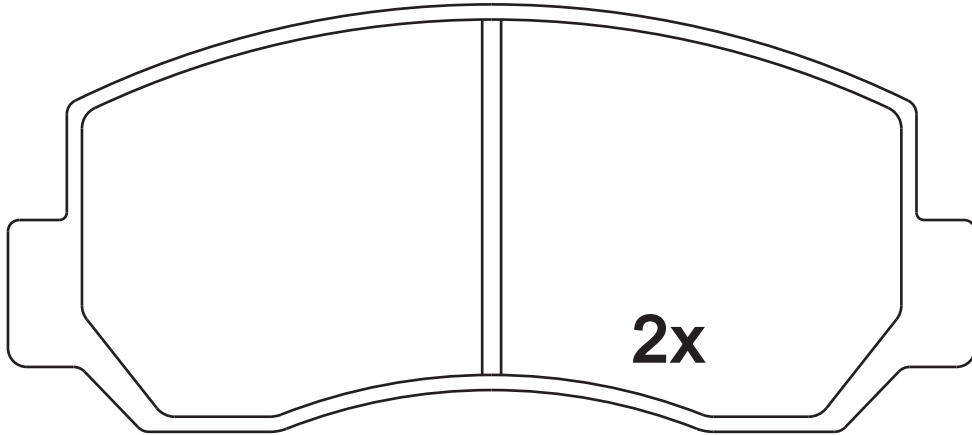
128×56.2

**Thickness
(mm)**

15.5

**NOTE**

4 identical, 1 with
acoustic indicator (left),
1 with acoustic indicator
(right).

**20476****Apply for:**

Toyota Cressida	Saloon	08.82-09.88
Toyota Cressida	Estate	11.84-09.88
Toyota Celica	Saloon	10.75-07.77
Toyota Celica	Hatchback	02.79-07.85
Mitsubishi Delica	Bus	04.83-
Mitsubishi Galant II	Saloon	09.80-05.84
Mitsubishi Galant II	Estate	09.80-05.84
Mitsubishi L300	Box	09.83-10.86
Mitsubishi Pajero I	Closed off-Road	01.90-12.91
Mitsubishi Pajero I	Open off-Road	12.82-11.90
Mitsubishi Pajero I	Open off-Road	12.82-11.90
Mitsubishi Sapporo I	Coupe	04.78-07.80
Mitsubishi Sapporo II	Coupe	08.80-09.84

SR0055.01

**Dimension
(mm)**

119×71.8

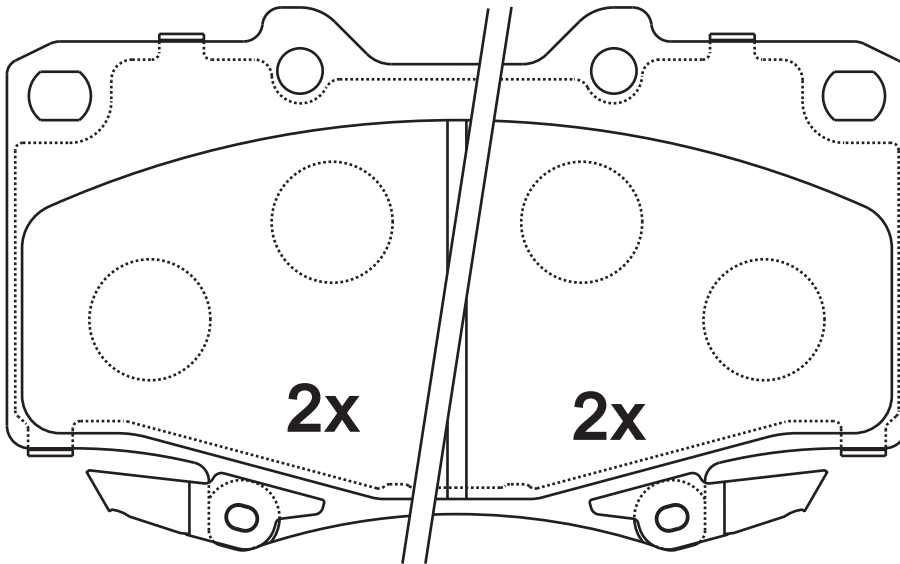
**Thickness
(mm)**

15



NOTE

4 identical, 2 with
acoustic indicator (left),
2 with acoustic indicator
(right).



21775

21776

Apply for:

Toyota Land Cruiser 80	Closed off-Road	01.90-12.97
Toyota Land Cruiser	Closed off-Road	04.96-

SR0056.01

**Dimension
(mm)**

112.6×46.4

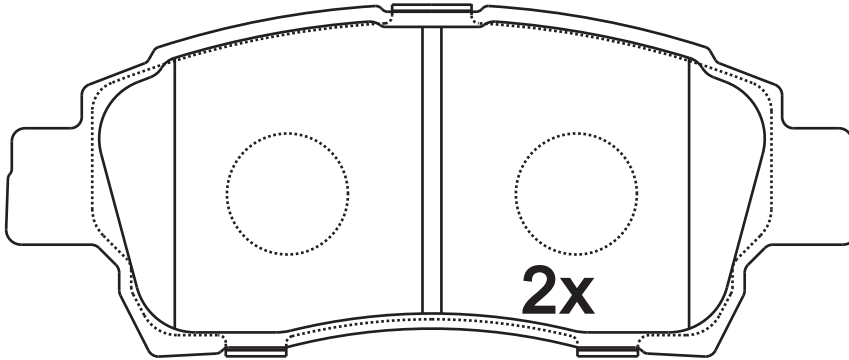
**Thickness
(mm)**

16.5

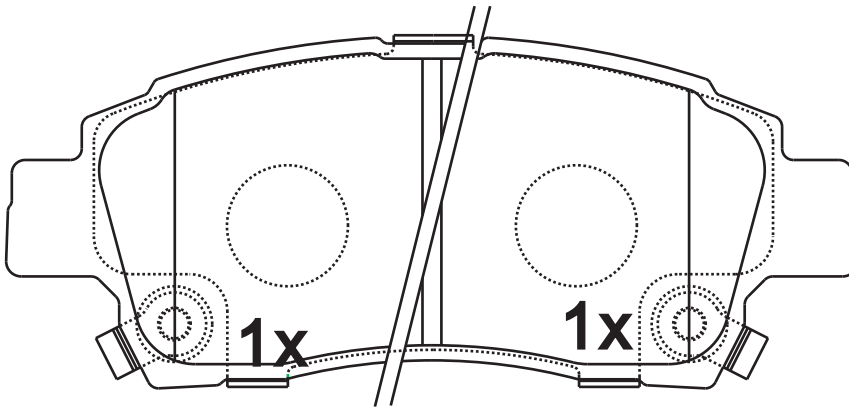


NOTE

4 identical, 1 with
acoustic indicator(left),
1 with acoustic indicator
(right).



23348



23349


23350

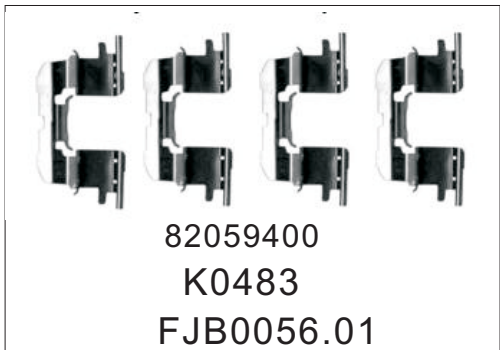
Apply for:

Toyota Yaris/vitz

Hatchback

04.99-

SR0056	Dimension (mm)	Thickness (mm)		NOTE
				附件包 Accessory bag



SR0057.01

**Dimension
(mm)**

160×49.3

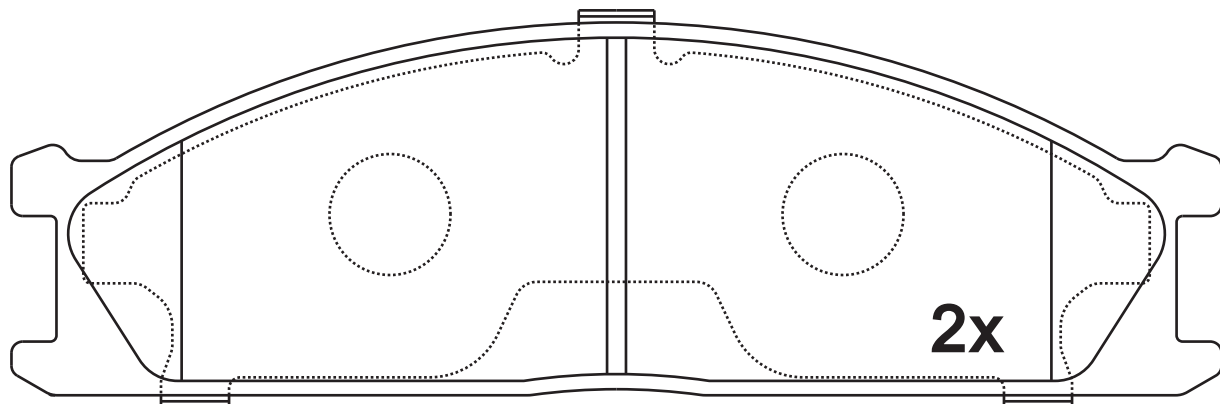
**Thickness
(mm)**

17

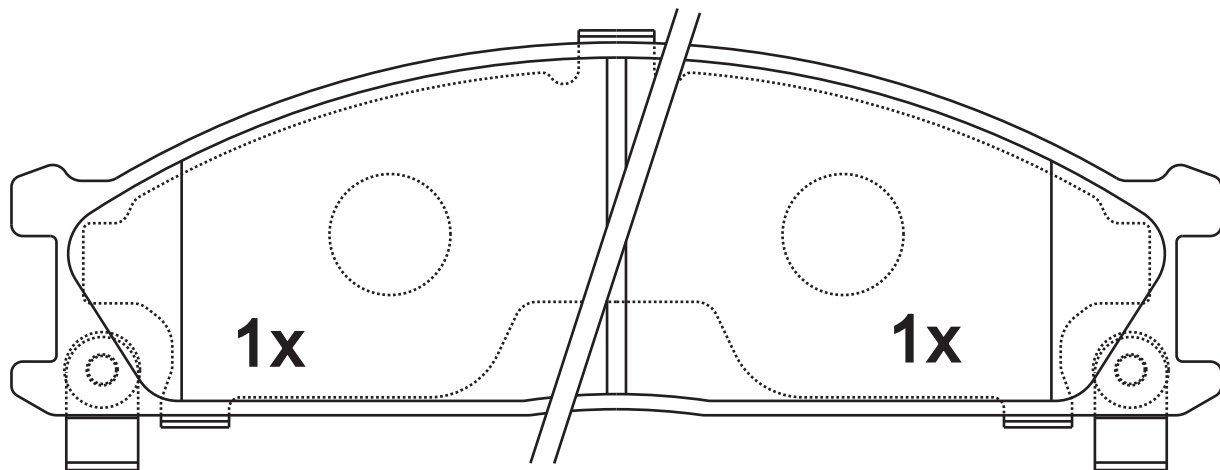


NOTE

4 identical, 1 with acoustic indicator (left), 1 with acoustic indicator (right).



21347



21348

21349

Apply for:

Nissan Pickup

Nissan Urvan

Nissan Vanette

Nissan Pathfinder I

Pickup

Box

Bus

Closed off-Road

02.98-04.05

02.87-05.97

10.86-12.95

10.857-02.96

SR0057.02

**Dimension
(mm)**

160×49.3

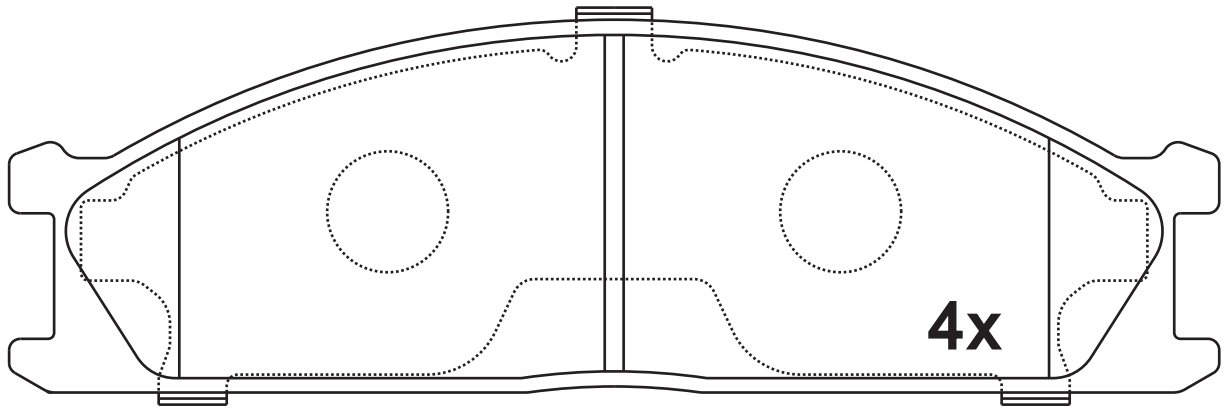
**Thickness
(mm)**

17



NOTE

4 identical;



21347

Apply for:

Nissan Pickup

Nissan Urvan

Nissan Vanette

Nissan Pathfinder I

Pickup

Box

Bus


Closed off-Road

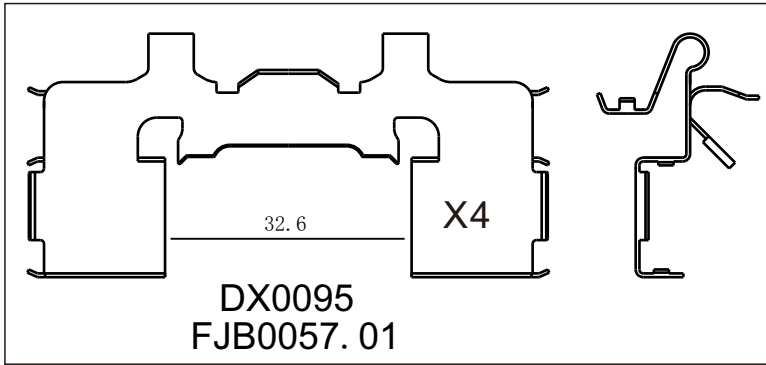
02.98-04.05

02.87-05.97



10.86-12.95

10.857-02.96

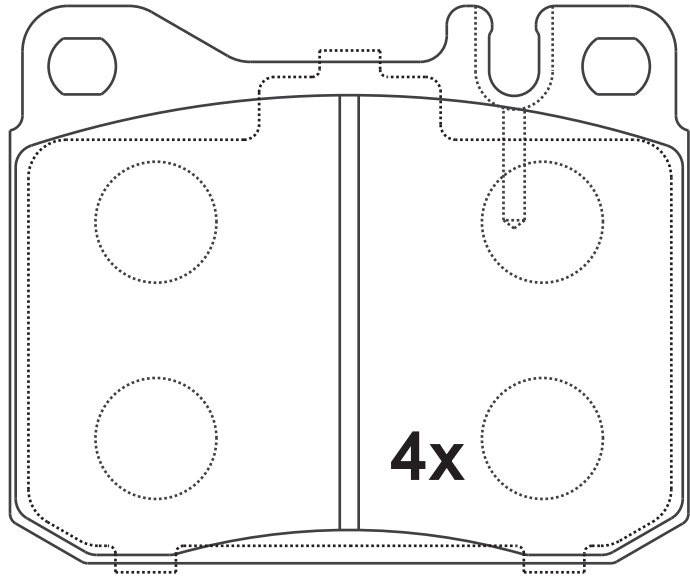
SR0057	Dimension (mm)	Thickness (mm)		NOTE



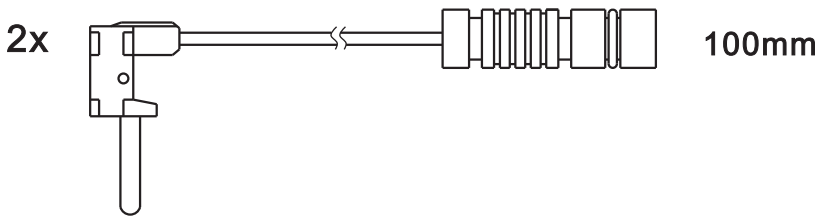
SR0058.01

Dimension (mm)	Thickness (mm)	
89.6×73.8	16.7	

NOTE
4 identical;





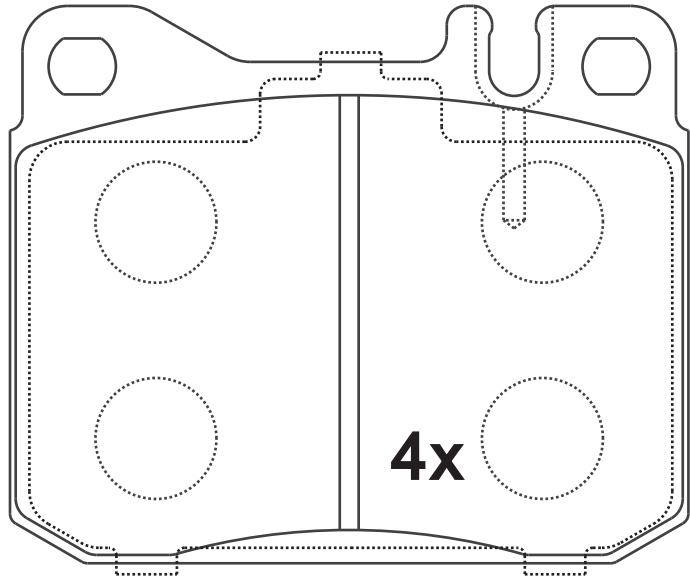
20341



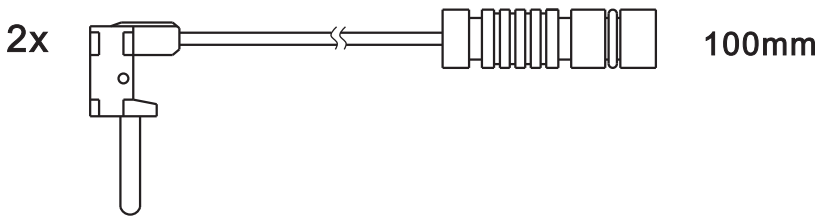
Apply for:

Mercedes Coupe	Coupe	03.77-12.85
Mercedes Kombi	Estate	09.77-12.85
Mercedes S-Class	Coupe	10.81-06.91
Mercedes SL	Coupe	01.72-09.81
Mercedes SL	Convertible	10.72-12.85

SR0058.02	Dimension (mm)	Thickness (mm)		NOTE 4 identical;
	89.6×73.8	15		



**20392
(29581)**



Apply for:

Mercedes Coupe	Coupe	03.77-12.85
Mercedes Kombi	Estate	09.77-12.85
Mercedes S-Class	Coupe	10.81-06.91
Mercedes SL	Coupe	01.72-09.81
Mercedes SL	Convertible	10.72-12.85

SR0058.03

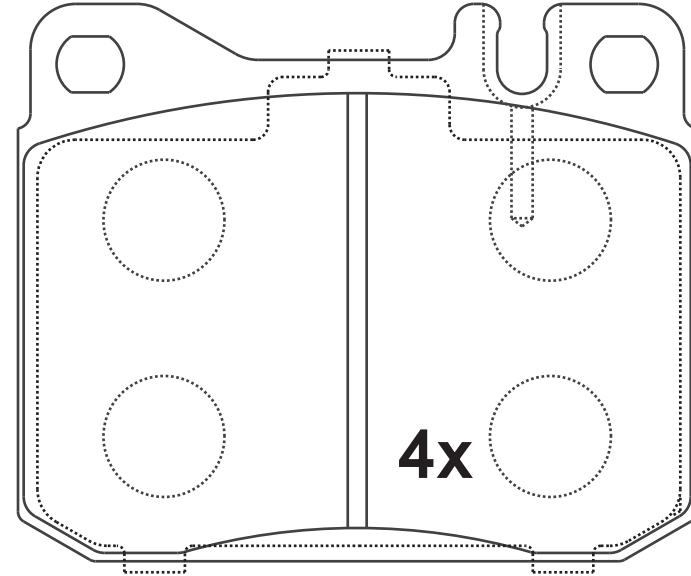
**Dimension
(mm)**

**Thickness
(mm)**



NOTE

4 identical;



20341

Apply for:

Mercedes Coupe	Coupe	03.77-12.85
Mercedes Kombi	Estate	09.77-12.85
Mercedes S-Class	Coupe	10.81-06.91
Mercedes SL	Coupe	01.72-09.81
Mercedes SL	Convertible	10.72-12.85

SR0059.01

**Dimension
(mm)**

139.5×68.6

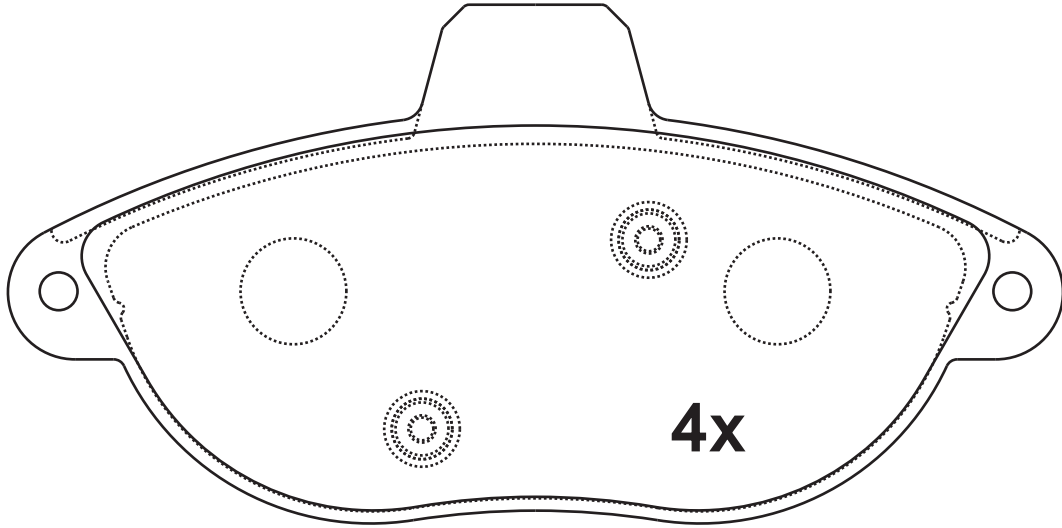
**Thickness
(mm)**

19

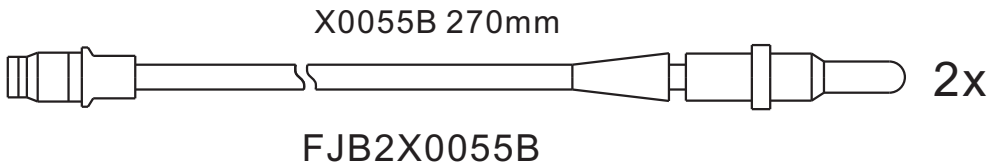


NOTE

4 identical;



23042



Apply for:

Citroen Dispatch	Van	06.94-
Citroen Synergie	Saloon	06.94-07.02
Fiat Scudo	Box	02.96-
Fiat Ulysse	Saloon	06.94-08.02
Peugeot 806	Saloon	06.94-08.02
Peugeot Expert	Saloon	12.95-

SR0059

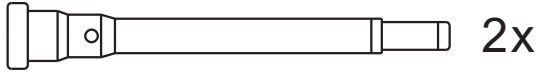
**Dimension
(mm)**

**Thickness
(mm)**



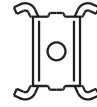
NOTE

**附件包
Accessory bag**



XZ0002

2x



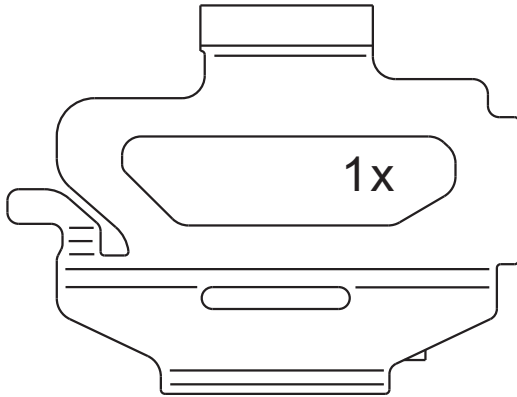
DW0001

2x



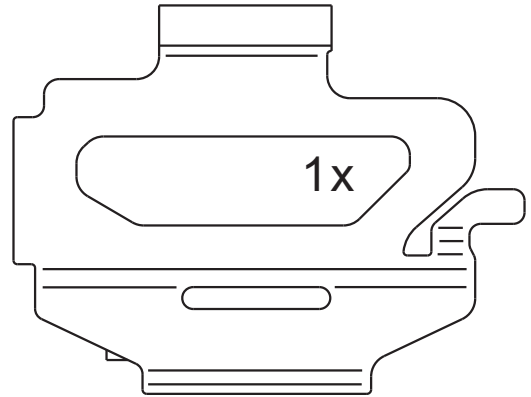
KX0002

2x



1x

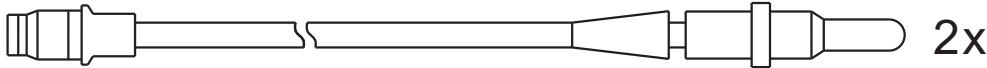
DX0001A



1x

DX0001B

FJB0059.01



X0055B 280mm

2x

FJB2X0055B

SR0060.01

**Dimension
(mm)**

105.1×54.6

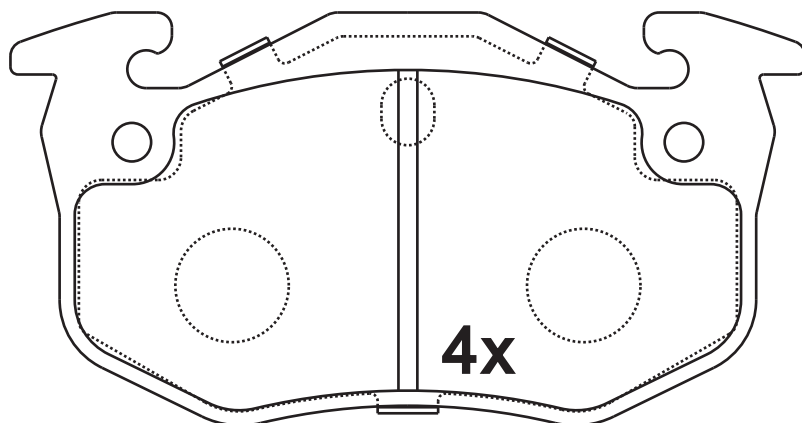
**Thickness
(mm)**

15

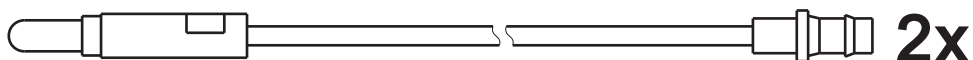


NOTE

4 identical;



20634



X0035C 总长210mm

Apply for:

Renault Clio I	Box	01.91-09.98
Renault Extra	Van	07.85-11.98
Renault Super 5	Saloon	10.84-12.96
Renault Twingo I	Saloon	03.93-

SR0060.02

**Dimension
(mm)**

**Thickness
(mm)**

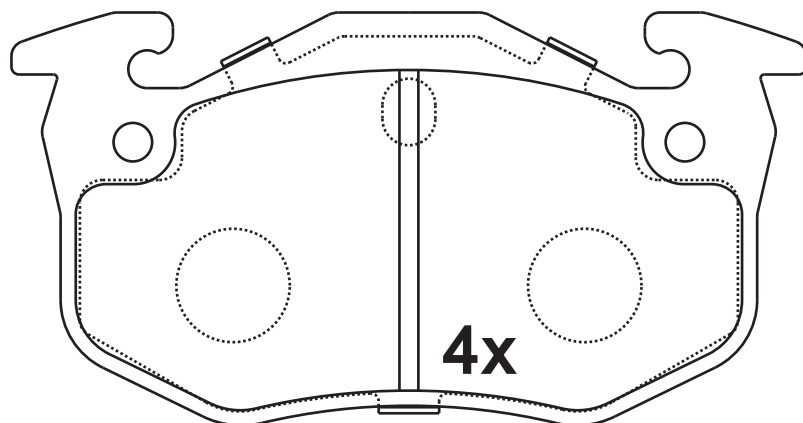


NOTE

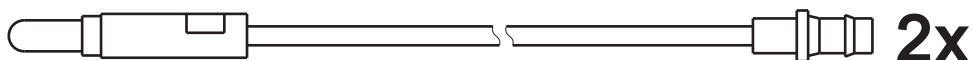
4 identical;

105.1×54.6

18



20635




总长140mm

Apply for:

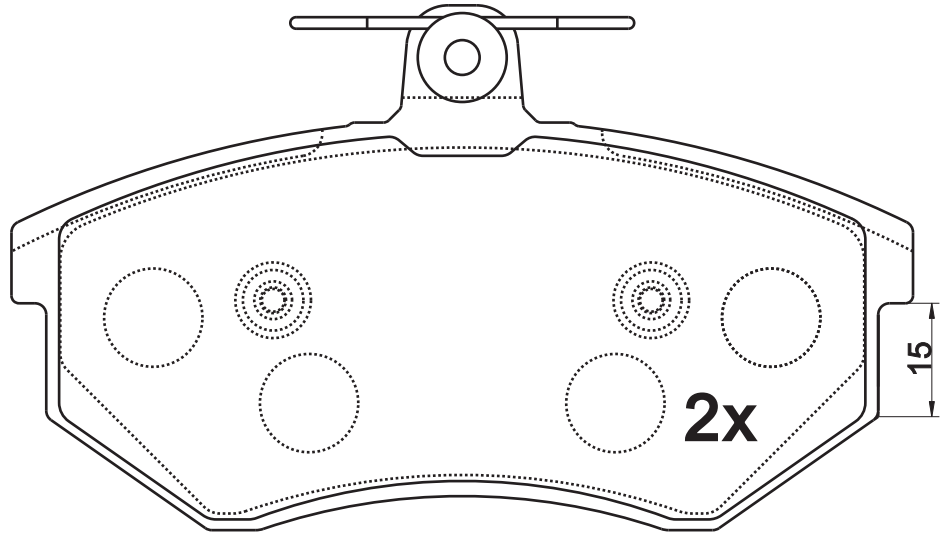
Citroen Saxo
Citroen Xsara Saloon
Peugeot 106 Ii
Peugeot 206
Renault 11

1996/02-2004/04
2003/05-2005/12
1996/04-2004/07
2005/12-2009/02
1983/03-1995/09

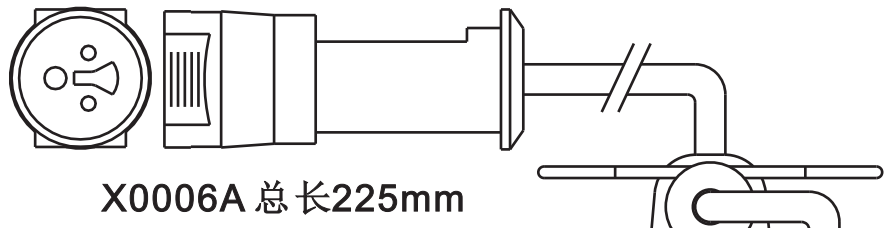
SR0061.01

Dimension (mm)	Thickness (mm)	
119.2×69.4	19	

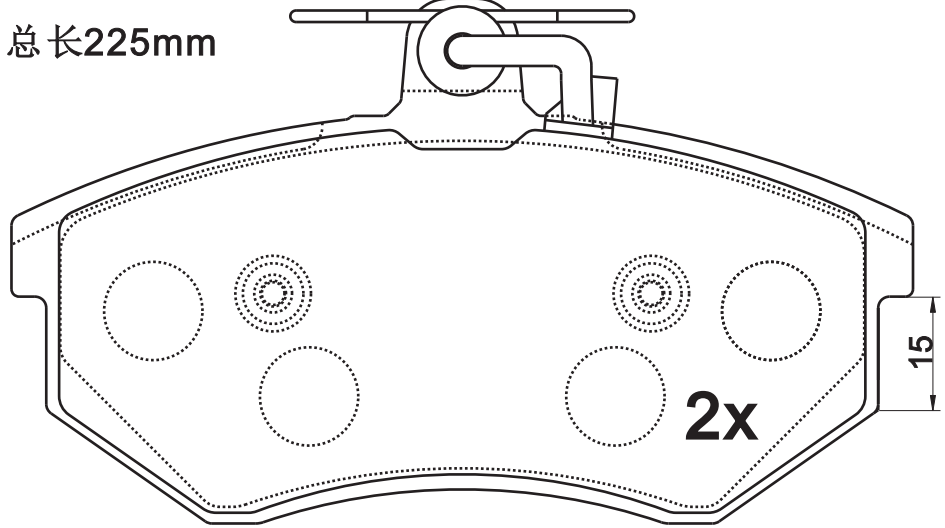
NOTE
4 identical, 2 with warn indicator: 198mm.



20669



X0006A 总长225mm




20901

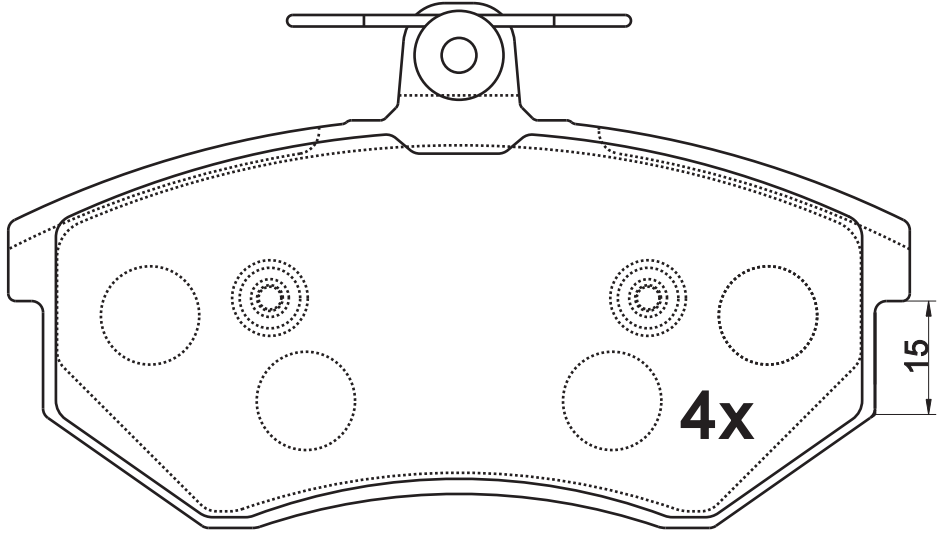
Apply for:

Audi 80	Saloon	06.86-10.91
Audi 90	Saloon	04.87-09.91
Audi 100	Saloon	08.82-11.90
Audi 200	Saloon	10.79-12.91
Audi Quattro	Saloon	07.80-07.91

SR0061.02

Dimension (mm)	Thickness (mm)	
119.2×69.4	19	

NOTE
4 identical;





20669

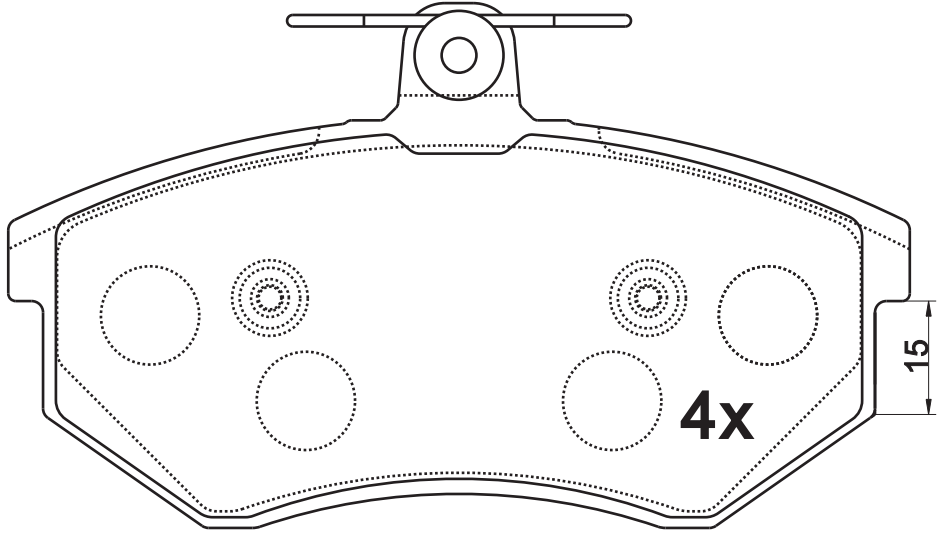
Apply for:

Volkswagan	Passat	Saloon	02.88-08.96
Volkswagan	Passat	Estate	02.88-05.97

SR0061.03

Dimension (mm)	Thickness (mm)	
119.2×69.4	15.8	

NOTE
4 identical;





20669

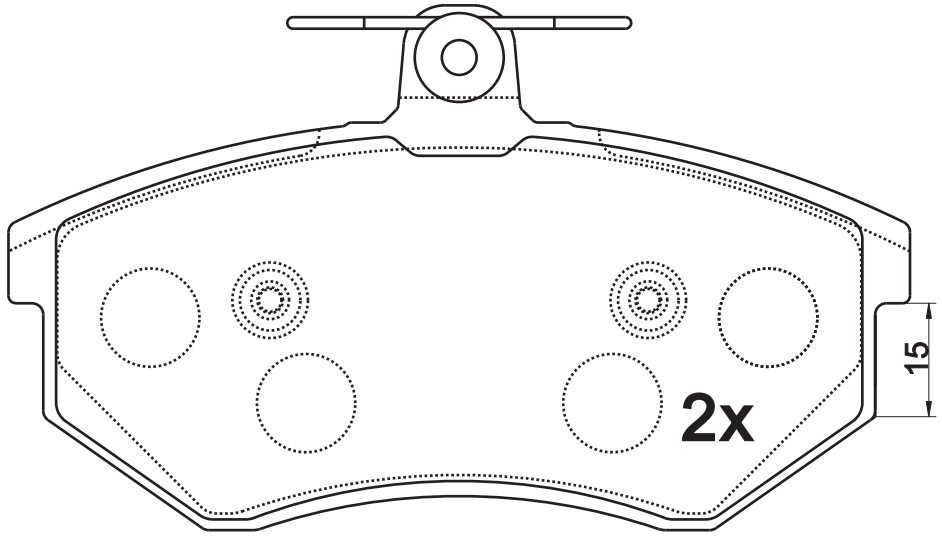
Apply for:

- | | |
|---------------------------|-----------|
| AUDI 4000 | 1985-1987 |
| AUDI 4000 Quattro | 1985-1987 |
| AUDI 4000 S Quattro | 1984 |
| AUDI Coupe | 1985-1987 |
| VOLKSWAGEN Cabrio | 1995 |
| VOLKSWAGEN Golf | 1993-1997 |
| VOLKSWAGEN Golf GTI | 1993-1994 |
| VOLKSWAGEN Golf GTI | 1996 |
| VOLKSWAGEN Jetta | 1993-1994 |
| VOLKSWAGEN Jetta | 1997 |
| VOLKSWAGEN Passat | 1990-1993 |
| VOLKSWAGEN Passat | 1995 |
| VOLKSWAGEN Quantum Syncro | 1986-1988 |

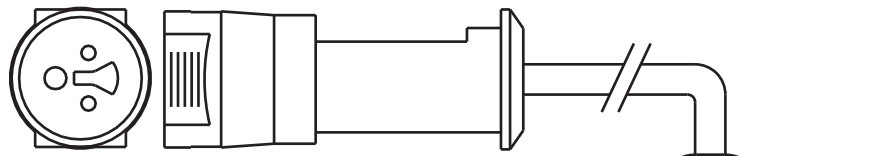
SR0061.04

Dimension (mm)	Thickness (mm)	
119.2×69.4	15.7	

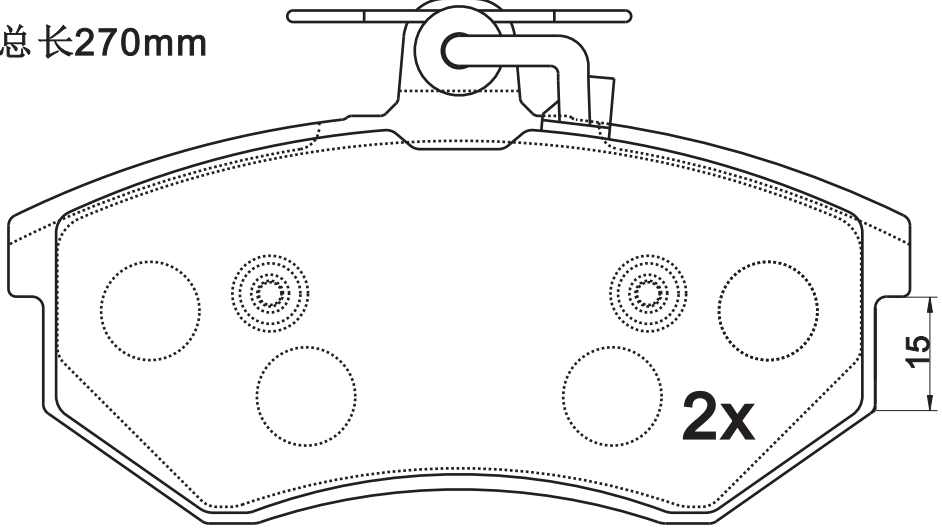
NOTE
4 identical, 2 with warn indicator: 198mm.



20669



X0006D总长270mm



20901

Apply for:

Audi 80	Saloon	06.86-10.91
Audi 90	Saloon	04.87-09.91
Audi 100	Saloon	08.82-11.90
Audi 200	Saloon	10.79-12.91
Audi Quattro	Saloon	07.80-07.91

SR0061

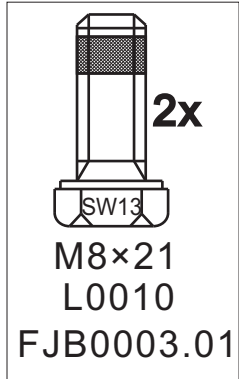
**Dimension
(mm)**

**Thickness
(mm)**




NOTE

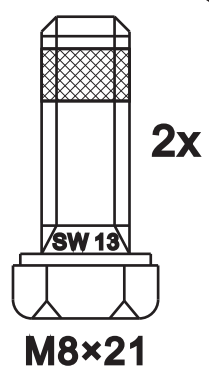
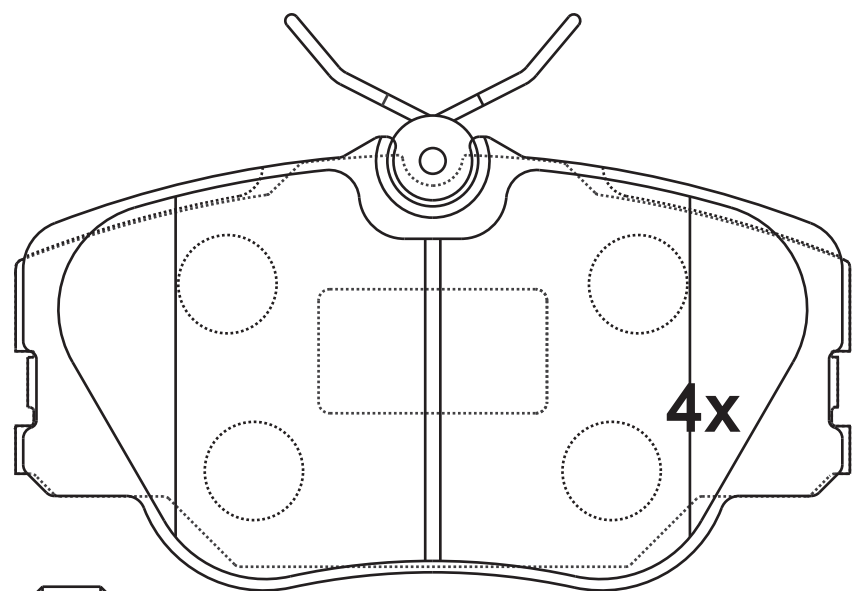
**附件包
Accessory bag**



SR0062.01

Dimension (mm)	Thickness (mm)	
110×59.6	19.3	

NOTE
4 identical;



20941
(21028)

Apply for:

Mercedes 190	Saloon	10.82-08.93
Mercedes Coupe	Coupe	03.87-05.93
Mercedes E-class	Convertible	05.93-03.98
Mercedes Kombi	Estate	09.85-06.93
Mercedes S-class	Saloon	10.79-06.91

SR0062.02

**Dimension
(mm)**

**Thickness
(mm)**

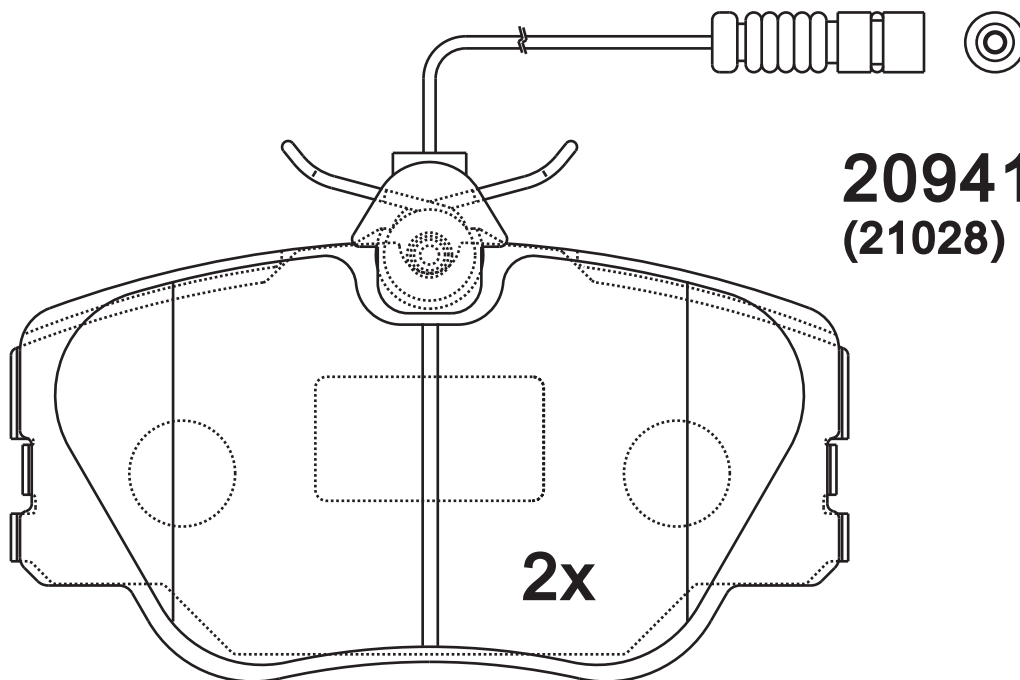
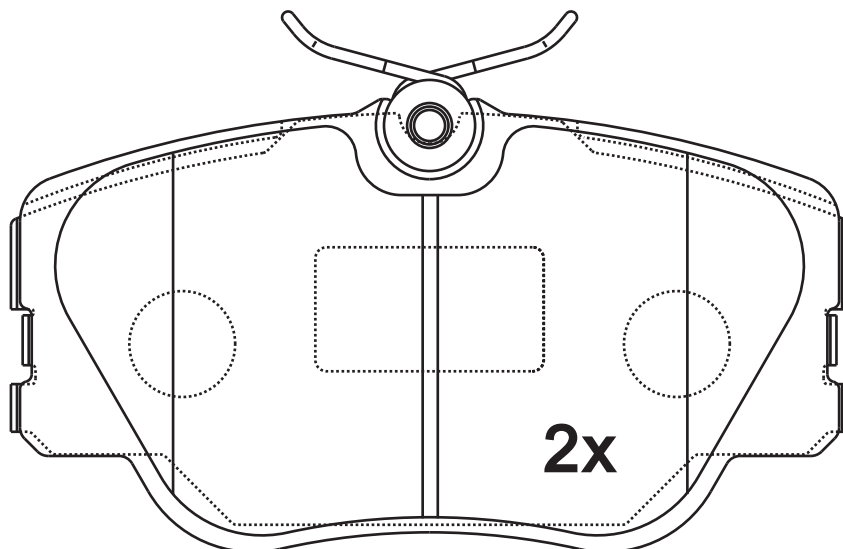


NOTE

4 identical;

110×59.6

19.3



**20941
(21028)**

Apply for:

Mercedes 190	Saloon	10.82-08.93
Mercedes Coupe	Coupe	03.87-05.93
Mercedes E-class	Convertible	05.93-03.98
Mercedes Kombi	Estate	09.85-06.93
Mercedes S-class	Saloon	10.79-06.91

SR0062

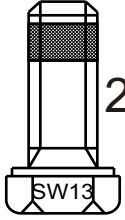
**Dimension
(mm)**

**Thickness
(mm)**



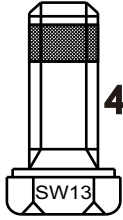
NOTE

**附件包
Accessory bag**



2x

M8×21
L0010
FJB0003.01



4x

M8×21
L0010
FJB0025.01

SR0063.01

**Dimension
(mm)**

108.8×42.7

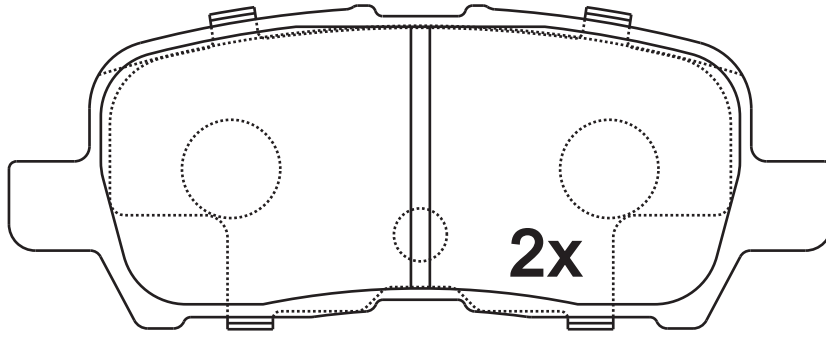
**Thickness
(mm)**

13.9

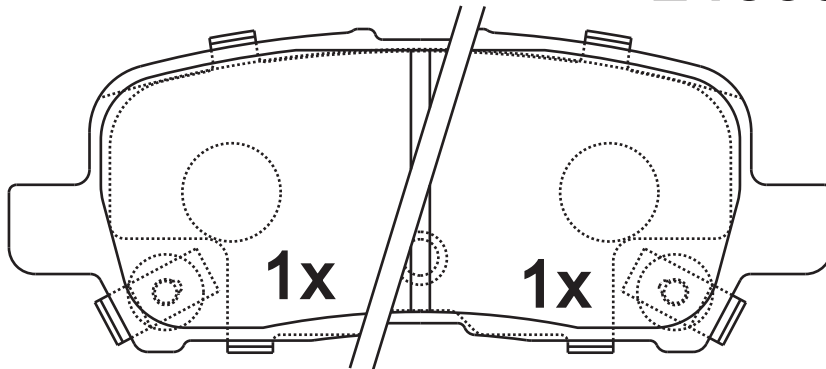


NOTE

4 identical, 1 with acoustic indicator (left), 1 with acoustic indicator (right).



24859



24860

24861

Apply for:

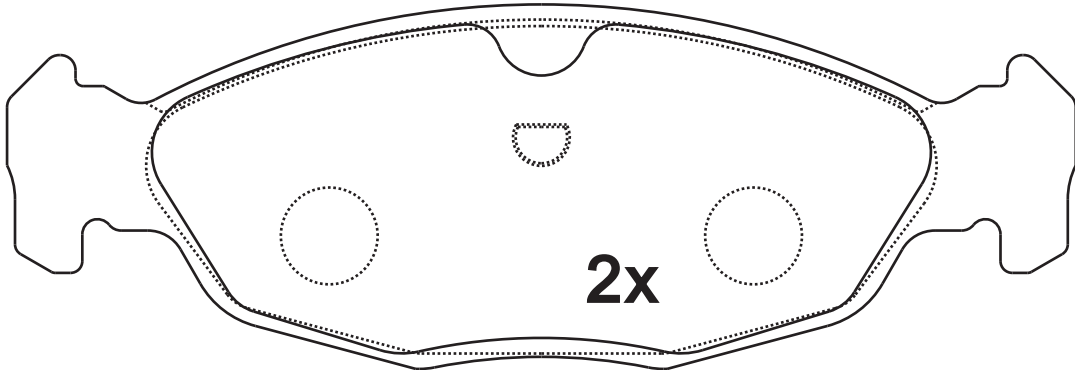
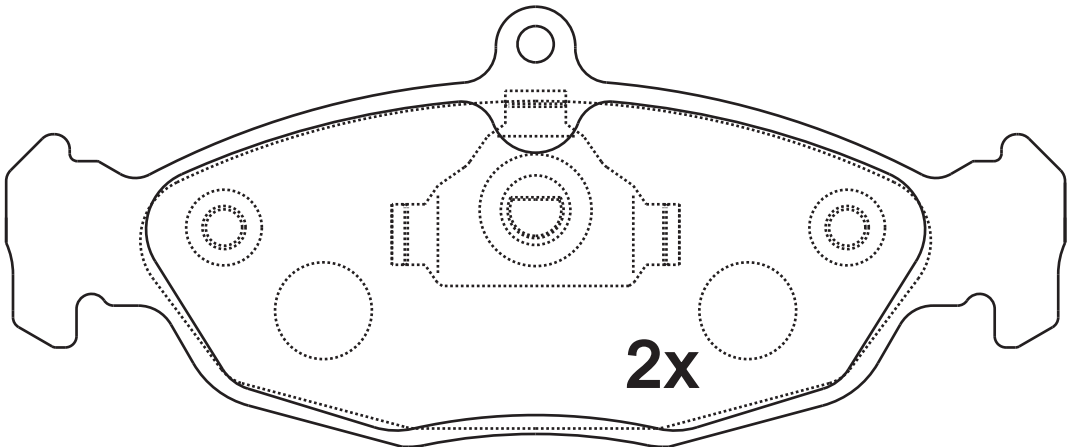
Buick Crosse
Buick Crosse

Saloon
Hatchback

09.04-12.09
02.06-

SR0064.01**Dimension
(mm)**141.3×48.3
140×58.2**Thickness
(mm)**

16.5

**NOTE****2 identical; 2 identical
with spring****20547****21353****Apply for:**

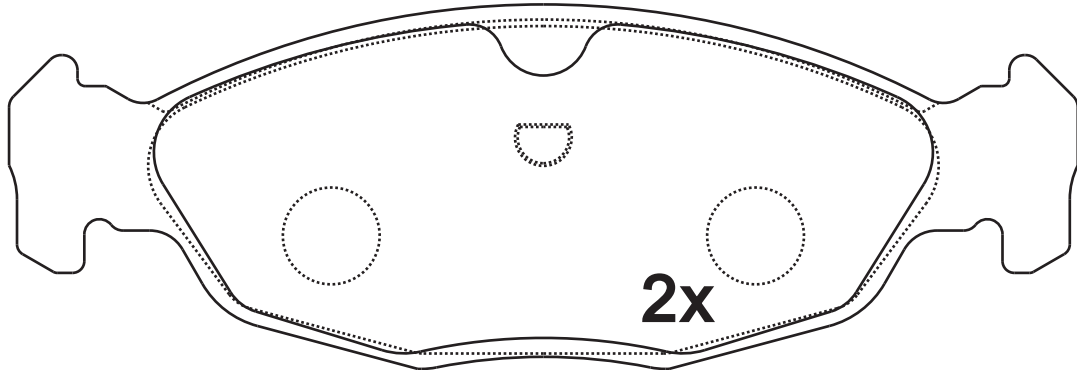
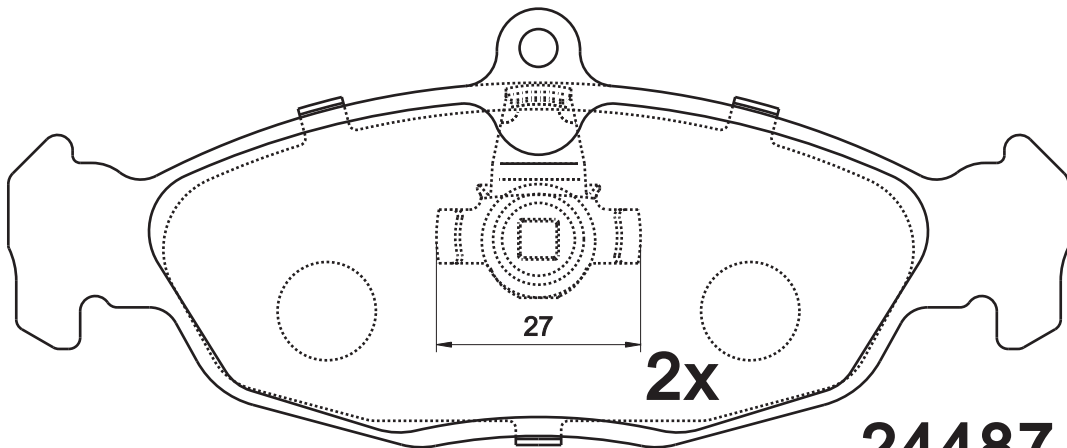
Daewoo Lanos	Hatchback	05.97-
Daewoo Lanos	Saloon	05.97-
Daewoo Nexia	Hacthback	02.95-08.97
Daewoo Nexia	Saloon	02.95-08.97
Opel Astra F	Saloon	09.91-09.98
Opel Combo	Box	07.94-10.01
Opel Corsa A	Hacthback	09.82-03.93
Opel Corsa B	Hacthback	03.93-09.00
Opel Tigra	Coupe	07.94-12.00
Opel Vectra A	Saloon	09.88-11.95
Opel Vectra A	Hatchback	04.88-11.95

SR0064.02**Dimension
(mm)**

141/140×48.4/58.3

**Thickness
(mm)**

16.5

**NOTE****2 identical; 2 identical
with spring****20547****24487****Apply for:**

JAGUAR Vanden Plas	1995-2003
JAGUAR XJ12	1995-1996
JAGUAR XJ6	1995-1997
JAGUAR XJ8	1998-2003
JAGUAR XJR	1995-2003
JAGUAR XJR 42mm Rear Caliper Piston	2001-2008
JAGUAR XJR Performance Package	1997-
JAGUAR XJRS	1993-
JAGUAR XJS	1995-1996
JAGUAR XK8	1997-2006
JAGUAR XKR	2000-

SR0064.03

**Dimension
(mm)**

**Thickness
(mm)**

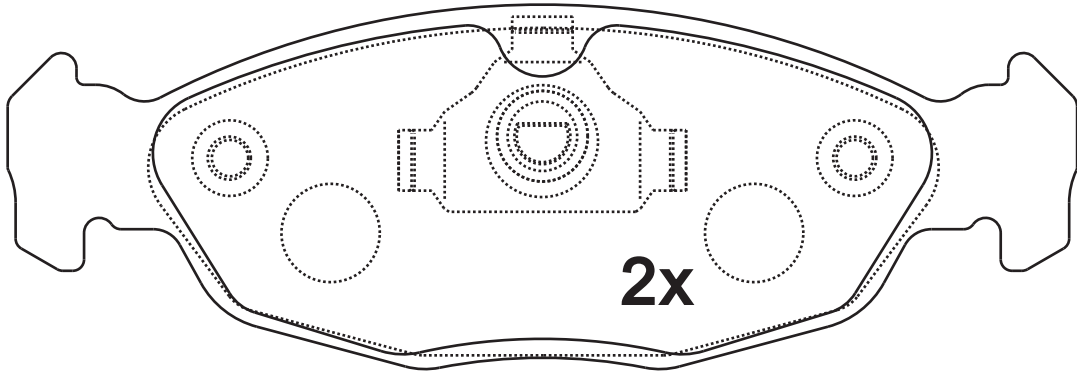
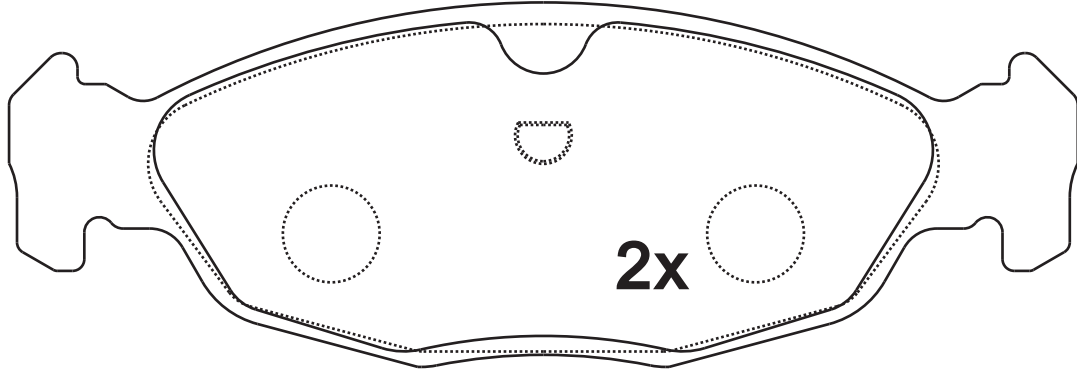


NOTE

**2 identical; 2 identical
with spring**

141/140×48.4/58.3

16.5



LJPL0149


Apply for:

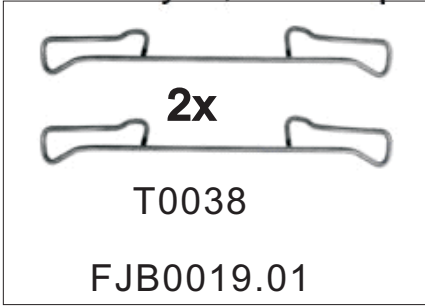
BUICK (SGM) SAIL

2001/01-2004/07

CHEVROLET (SGM) SAIL Estate

2005/02-2008/07

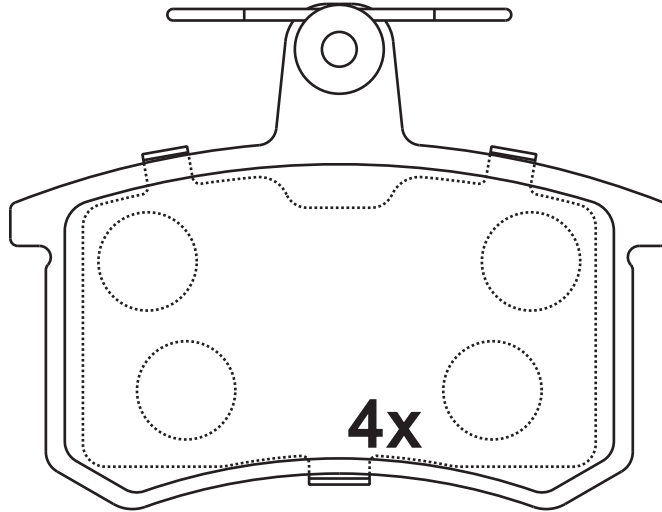
SR0064	Dimension (mm)	Thickness (mm)		NOTE



SR0065.01**Dimension
(mm)****Thickness
(mm)****NOTE****4 identical**

87×66.8

16.6

**21144****Apply for:**

Audi A6	Saloon	06.94-10.97
Audi A6	Estate	06.94-02.97
Audi 100	Saloon	07.93-06.94
Audi 100 Avant	Estate	07.93-07.94
Audi 200	Saloon	10.79-12.91
Audi 200	Estate	09.83-09.91
Audi 80	Saloon	10.83-01.96
Audi 90	Saloon	10.84-09.91
Audi A4	Saloon	01.95-11.00
Audi A4	Estate	01.96-09.01
Audi A8	Saloon	03.94-09.02
Audi Cabriolet	Convertible	11.92-08.00
Audi Coupe	Coupe	09.84-12.96
Audi Quattro	Coupe	07.80-07.91
Audi V8	Saloon	10.88-02.94

SR0065

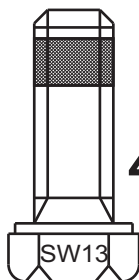
**Dimension
(mm)**

**Thickness
(mm)**



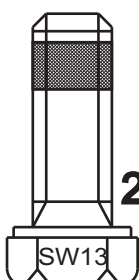
NOTE

附件包
Accessory bag



4x

M8x21
L0010
FJB0025.01



2x

M8x21
L0010
FJB0003.01

SR0066.01

**Dimension
(mm)**

**Thickness
(mm)**

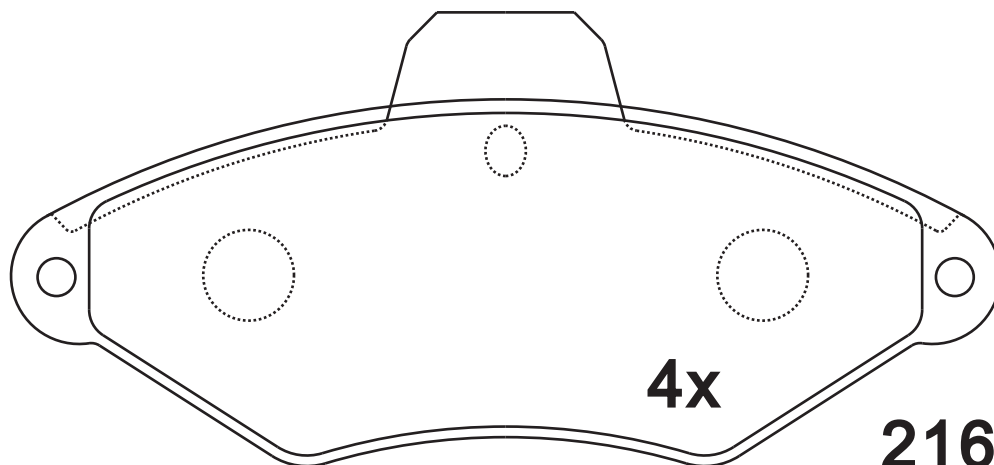


NOTE

**4 identical with wrning
contact.**

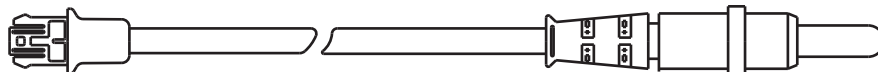
130.8×60

17.0



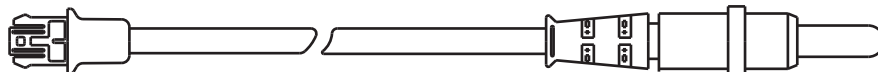
21631

152mm



2x

364mm



2x

Apply for:

Citroen Xantia
Citroen Xantia

Saloon
Break

03.93-04.03
06.95-01.98

SR0067.01

**Dimension
(mm)**

127.4×49.5

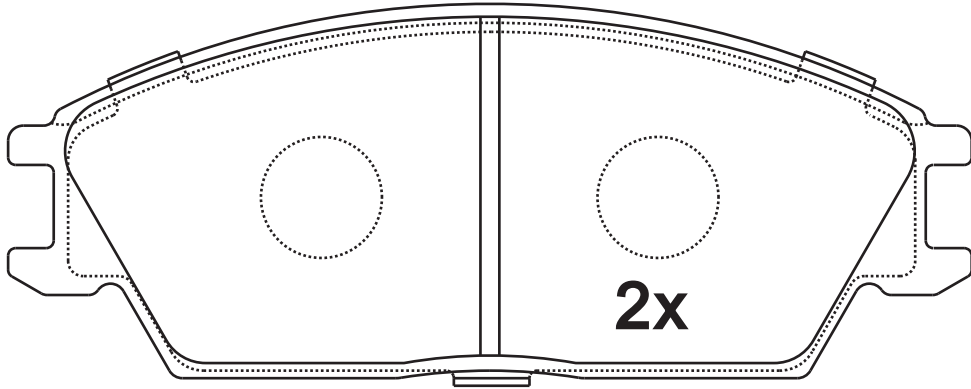
**Thickness
(mm)**

15.0

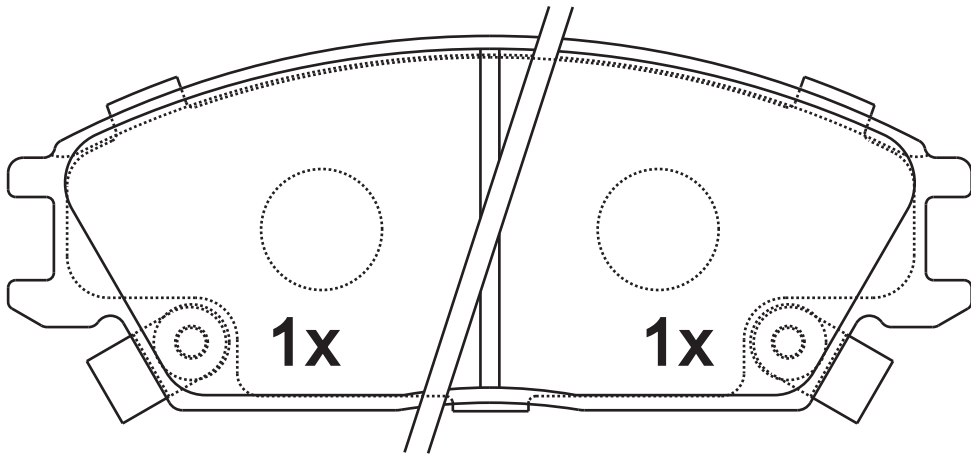


NOTE

4 identical, 1 with
acoustic indicator (left),
1 with acoustic indicator
(right).



21012



21774



21773

Apply for:

Hyundai Accent
Hyundai Getz

Hatchback
Hatchback

01.00-11.05
08.05-

SR0067.02	Dimension (mm)	Thickness (mm)		NOTE
	127.4×49.5	15.0		4 identical;



取消，原南非编号，不带减震片，总厚度15

Apply for:

Hyundai Accent II
Hyundai S Coupe

Hatchback
Coupe

10.94-01.00
04.91-05.96

SR0067.03

**Dimension
(mm)**

127.4×49.5

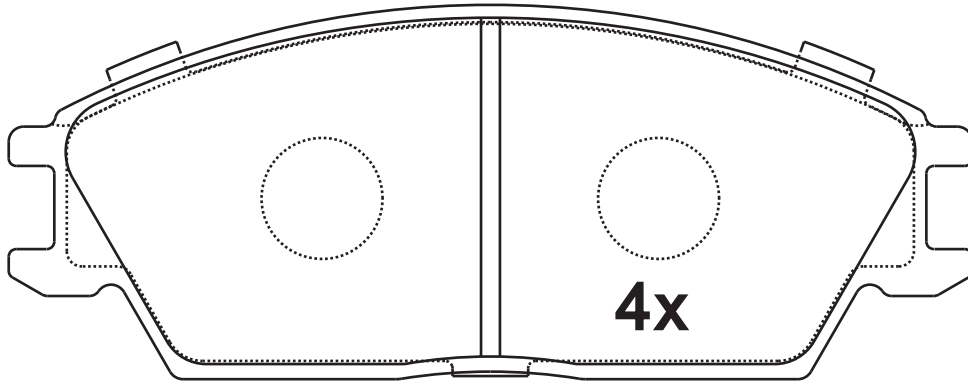
**Thickness
(mm)**

15.0



NOTE

4 identical;



21012

Apply for:

Hyundai Accent II
Hyundai S Coupe

Hatchback
Coupe

10.94-01.00
04.91-05.96

SR0067

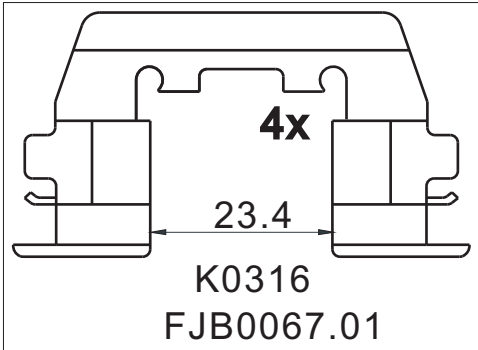
**Dimension
(mm)**

**Thickness
(mm)**



NOTE

**附件包
Accessory bag**



SR0068.01

**Dimension
(mm)**

**Thickness
(mm)**

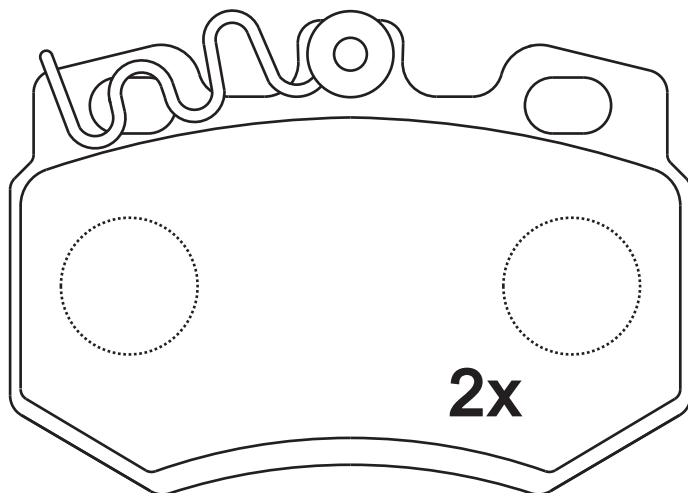


NOTE

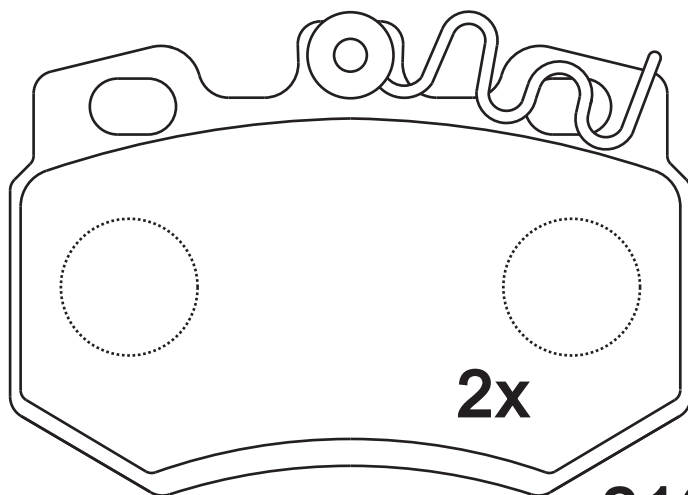
2 identical;2 identical;

90×62.9

17.7



21022



21023

Apply for:

Citroen C15

Box

07.86-12.00

Citroen C15

Estate

04.87-08.00

Peugeot 205l

Convertible

04.86-12.94

Peugeot 205ll

Hatchback

07.87-09.98

SR0069.01

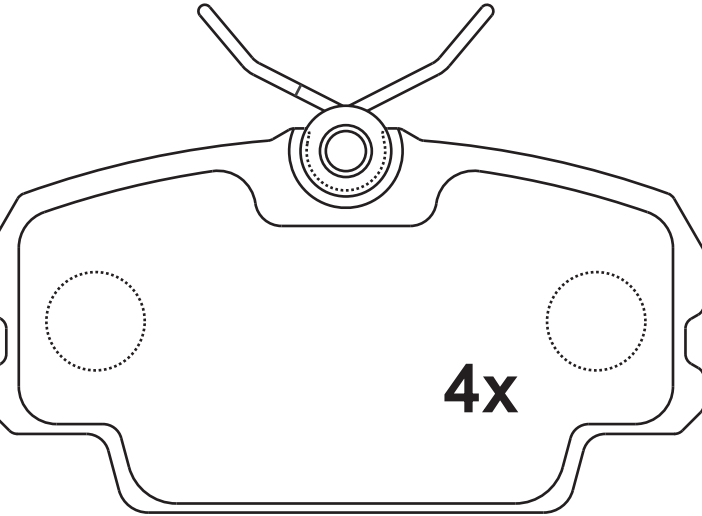
**Dimension
(mm)**

**Thickness
(mm)**



NOTE

4 identical;



20890

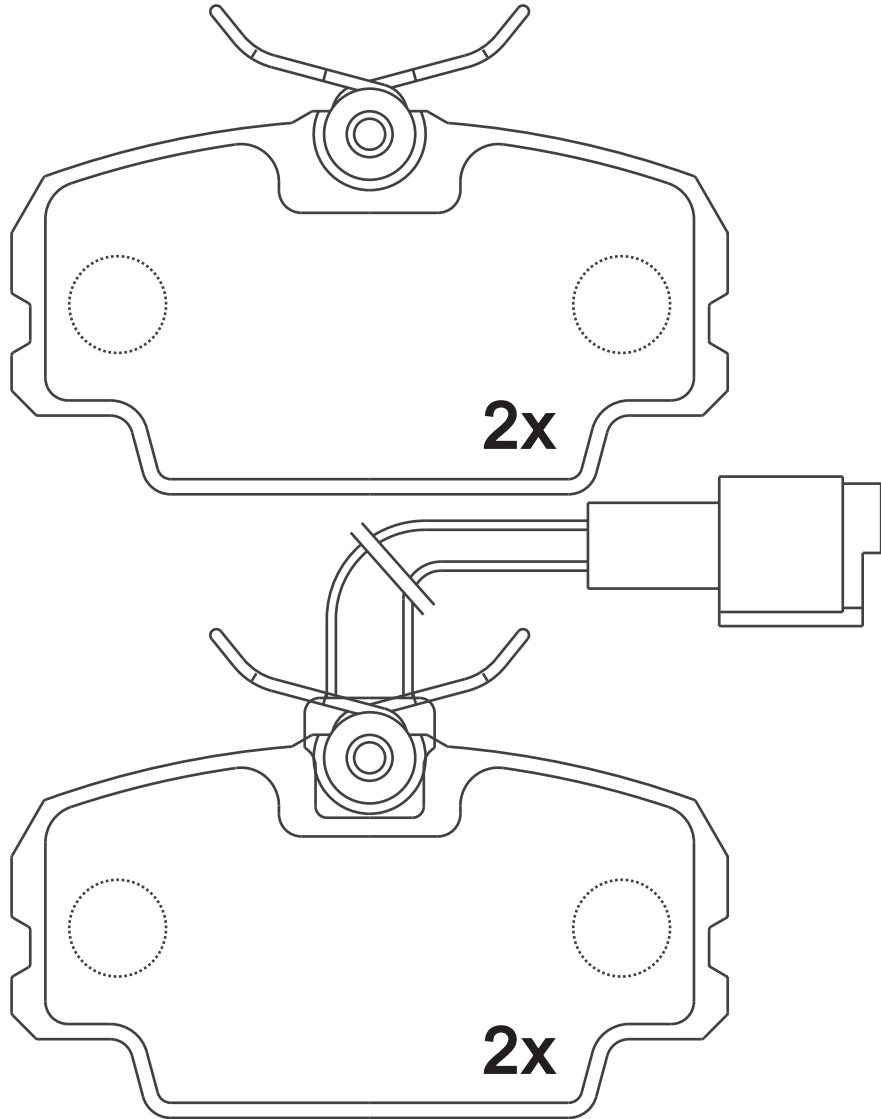
Apply for:

BMW 3	Saloon	09.82-03.92
BMW 3	Convertible	12.85-10.93
BMW 3	Touring	07.87-10.94
BMW Z1	Saloon	06.88-06.91

SR0069.02

Dimension (mm)	Thickness (mm)	
95×50.8	17.5	

NOTE
4 identical, 2 with warn indicator.



20890

Apply for:

BMW 3	Saloon	09.82-03.92
BMW 3	Convertible	12.85-10.93
BMW 3	Touring	07.87-10.94
BMW Z1	Saloon	06.88-06.91

SR0070.01

**Dimension
(mm)**

141.5×55.4

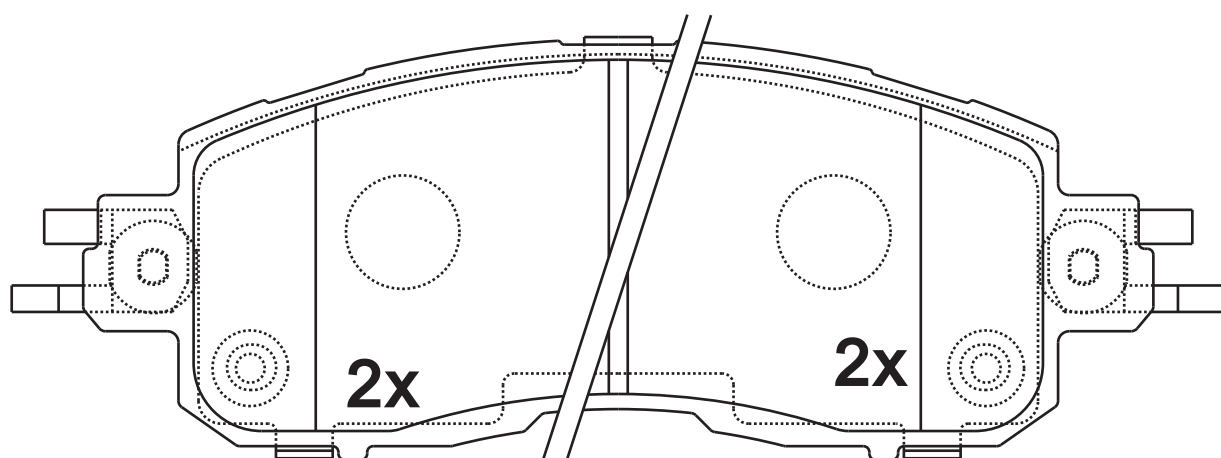
**Thickness
(mm)**

16



NOTE

4 identical;



D1650

Apply for:

Nissan Altima
Nissan Leaf

Saloon
Saloon

2013-2014
2014-2015

SR0071.01

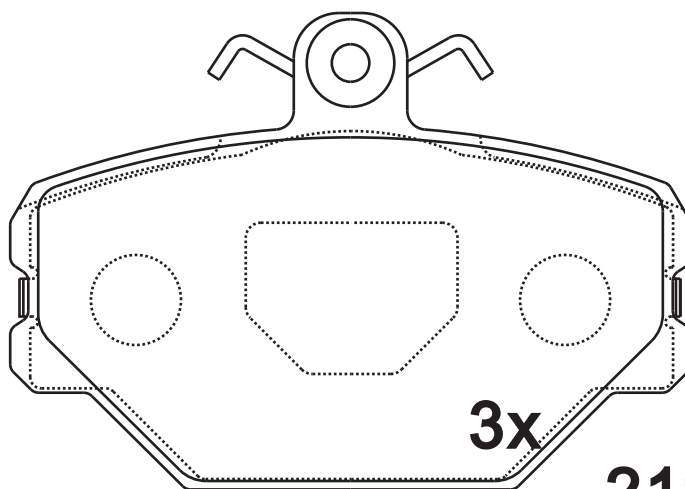
**Dimension
(mm)**

**Thickness
(mm)**



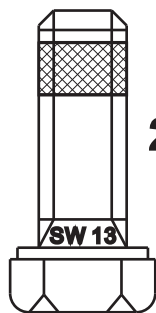
NOTE

**4 identical, 2 with warn
indicator: 240mm.**



3x

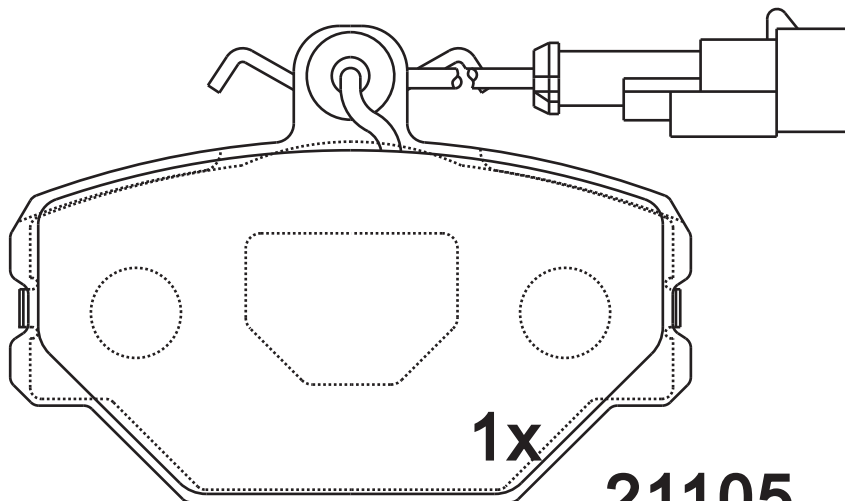
21100



2x

SW 13

M8x21



1x

21105

Apply for:

Fiat Tempra
Fiat Tipo
Lancia Dedra

Saloon
Hatchback
Saloon

04.90-08.96
07.87-04.95
08.89-03.93

SR0071.02

**Dimension
(mm)**

**Thickness
(mm)**

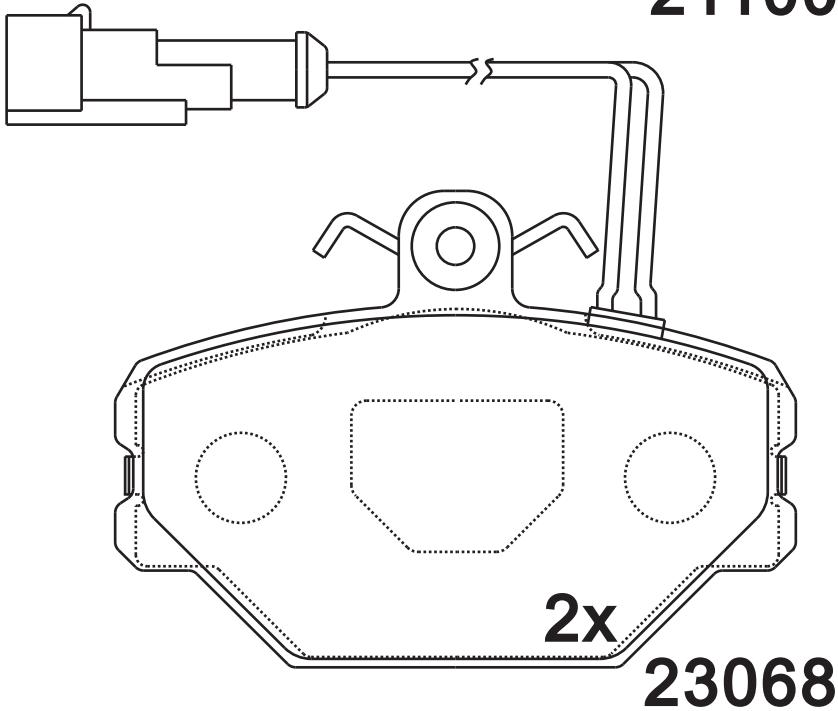
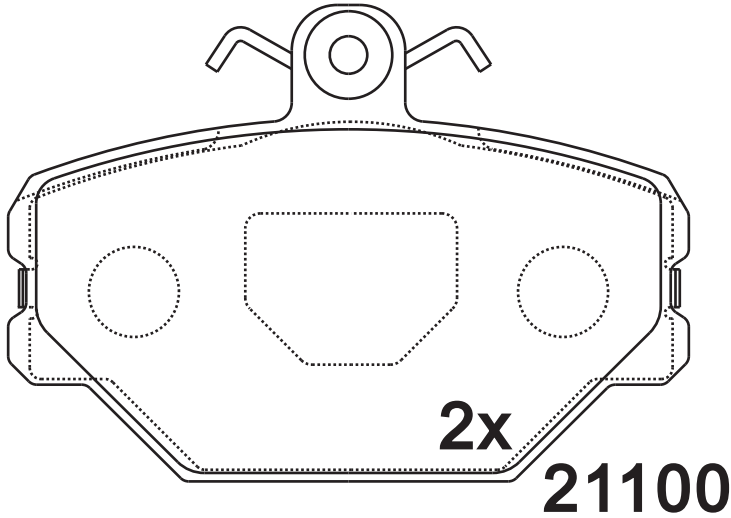


NOTE

**4 identical, 2 with warn
indicator:**

90×63.2

17



Apply for:

Fiat Tempra
Lancia Dedra
Tianma Cuv

1990/03-1998/12
1989/01-1999/07
2004/09-

SR0072.01

**Dimension
(mm)**

110×58.5

**Thickness
(mm)**

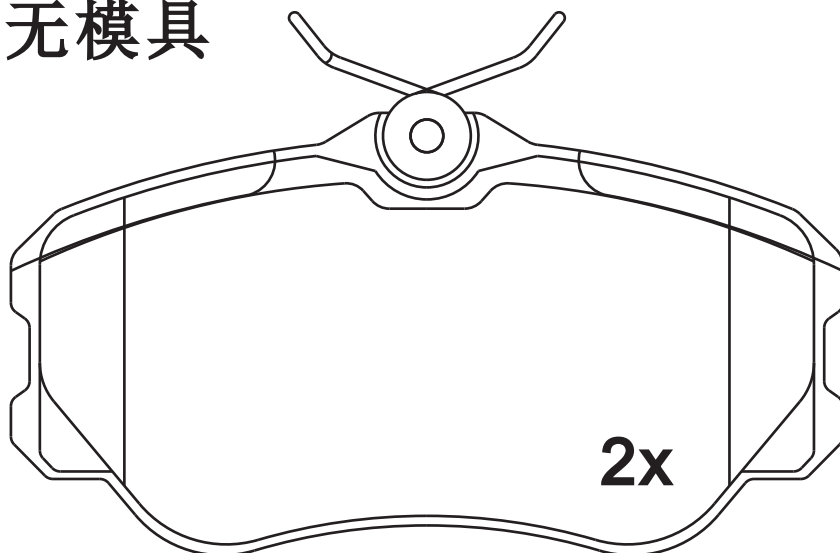
19.4



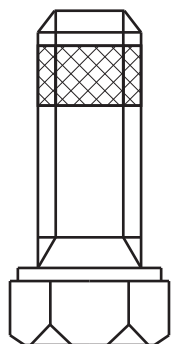
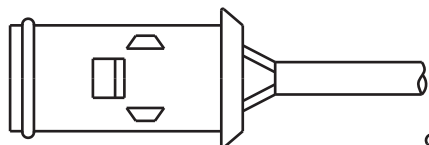
NOTE

4 identical, 2 with warn
indicator: 430mm

无模具

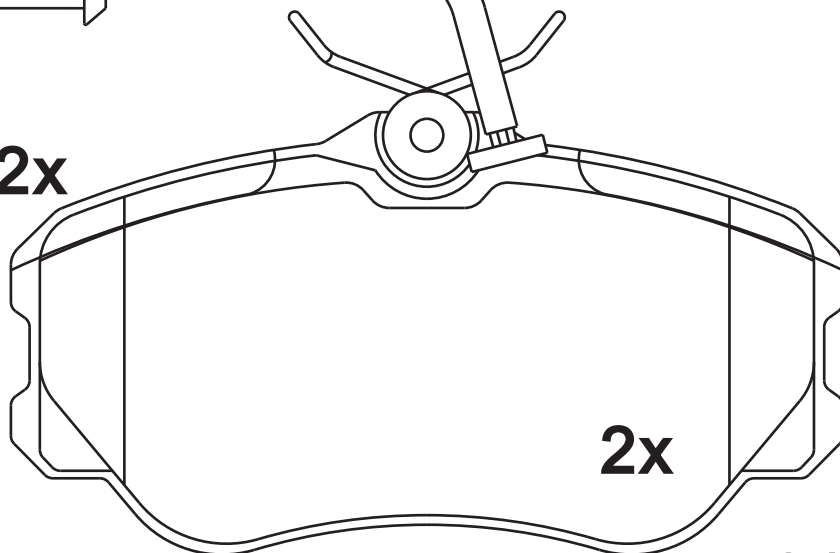


21182



M8×21

2x





21183

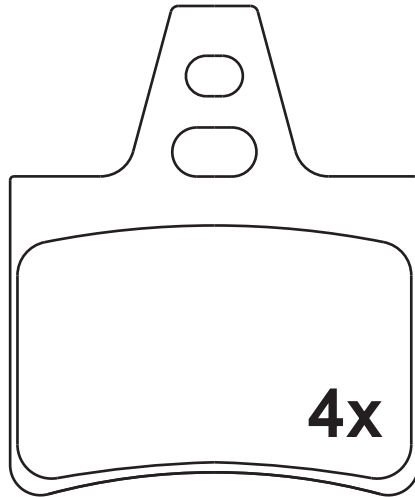
Apply for:

Alfa Romeo 168

Saloon

09.92-09.98

SR0073.01	Dimension (mm)	Thickness (mm)		NOTE
	54×64.7	15.3		4 identical;



20162

Apply for:

Citroen XM	Hatchback	05.89-06.94
Citroen Xantia	Hatchback	03.93-04.03
Citroen Xantia	Estate	01.98-04.03

SR0074.01

**Dimension
(mm)**

156.2×67
155×69

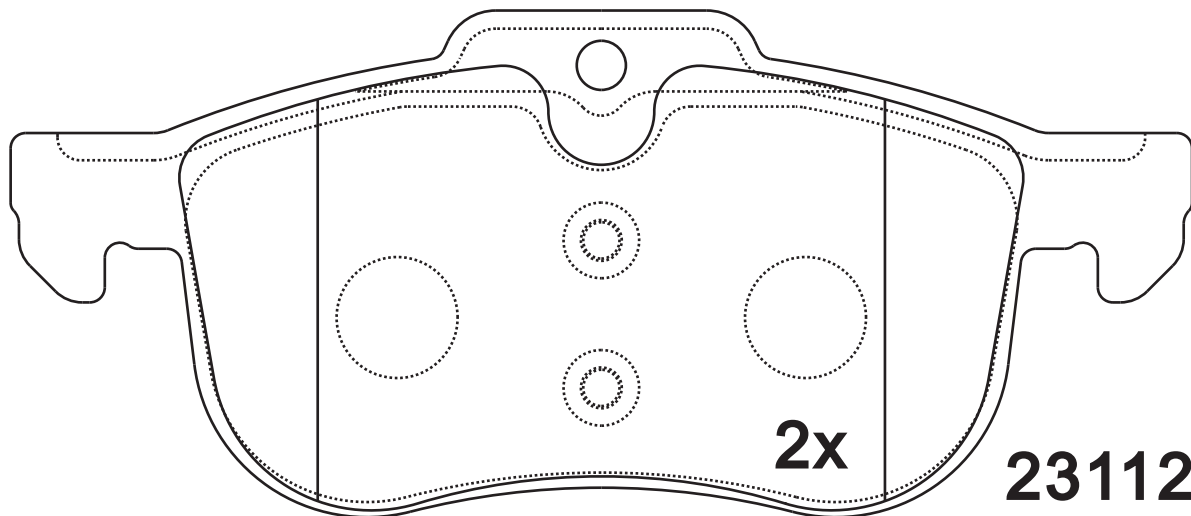
**Thickness
(mm)**

19

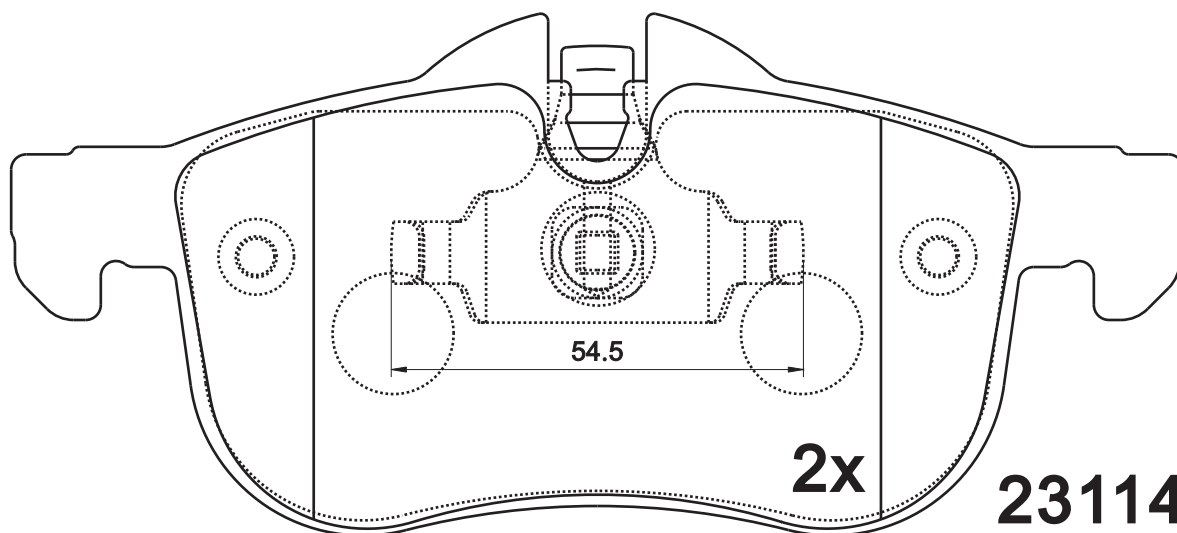


NOTE

**2 identical; 2 identical
with spring.**



23112



23114

Apply for:

Roewe 550
Roewe 750

Saloon
Saloon

06.08-
01.07-

SR0075.01

**Dimension
(mm)**

127.4×48.1

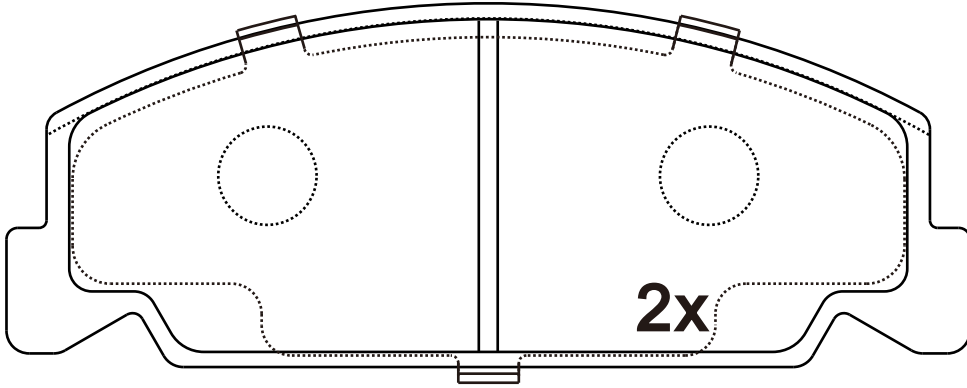
**Thickness
(mm)**

15

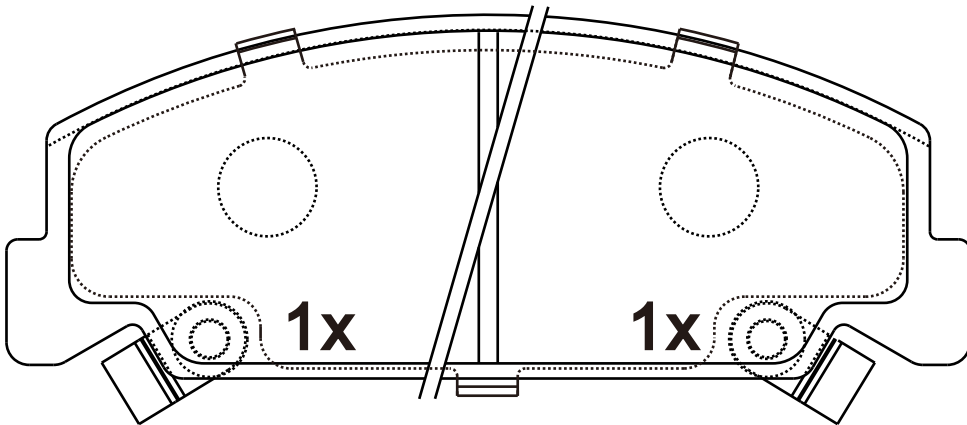


NOTE

2 identical; 2 identical, 1 with acoustic indicator (left), 1 with acoustic indicator (right).



21330



21332

21331

Apply for:

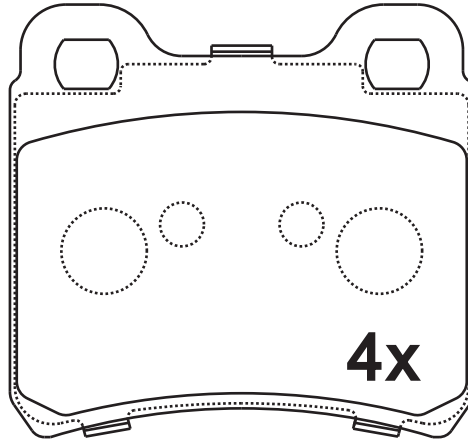
Honda Civic II	Estate	01.88-12.92
Honda Accord II	Saloon	09.83-10.85
Honda Accord II	Hatchback	09.83-10.85

SR0076.01**Dimension
(mm)**

61.3×57.2

**Thickness
(mm)**

15

**NOTE****4 identical;****21140****Apply for:**

Opel Astra F	Estate	01.98-01.05
Opel Astra F	Hatchback	09.91-08.02
Opel Calibra A	Saloon	06.90-07.97
Opel Kadett E	Saloon	09.84-08.91
Opel Vectra A	Saloon	08.88-11.95
Saab 900II	Hatchback	07.93-02.98
Saab 900II	Convertible	12.93-02.98
Saab 900II	Coupe	12.93-02.98
Vauxhall Astra MK II	Saloon	06.93-09.98
Vauxhall Astra MK II	Hatchback	05.88-02.98
Vauxhall Calibra A	Coupe	09.90-07.97
Vauxhall Calibra MK III	Saloon	09.88-11.95
Vauxhall Calibra MK III	Hatchback	09.90-11.95

SR0077.02

**Dimension
(mm)**

**Thickness
(mm)**

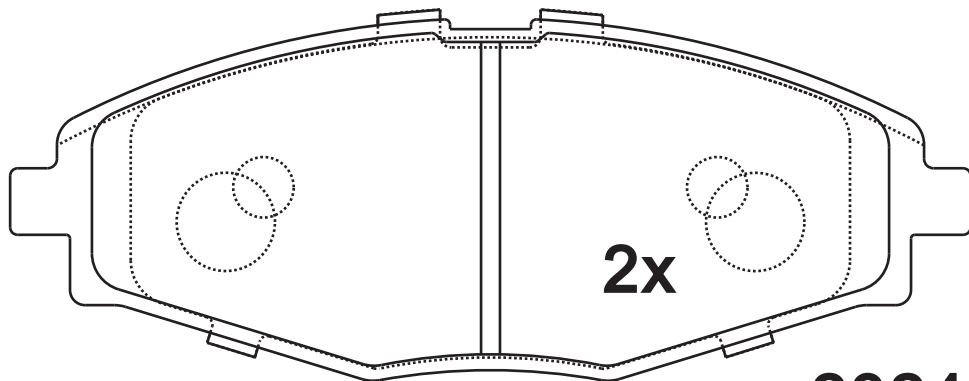


NOTE

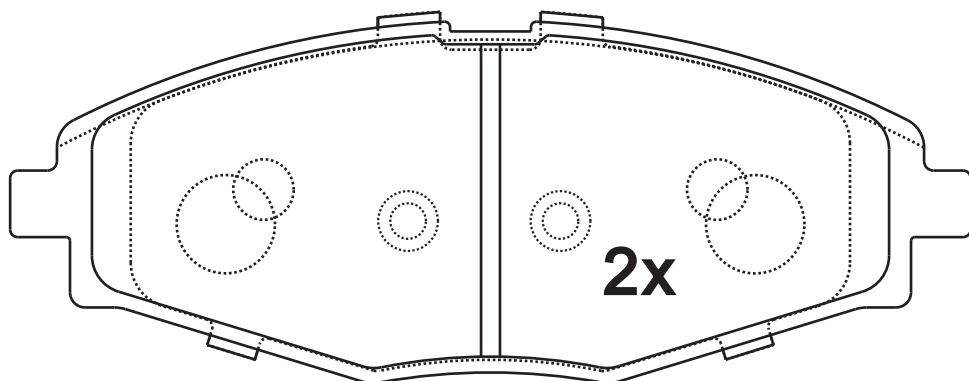
4 identical;

127.1×48.2

16.1



23241



Apply for:

Daewoo Lanos	Hatchback	05.97-
Daewoo Lanos	Saloon	05.97-
Daewoo Matiz	Hatchback	09.98-
Chevrolet Matiz	Hatchback	03.05-
Chevrolet Spark	Hatchback	05.05-

SR0077.03

**Dimension
(mm)**

127×47.7

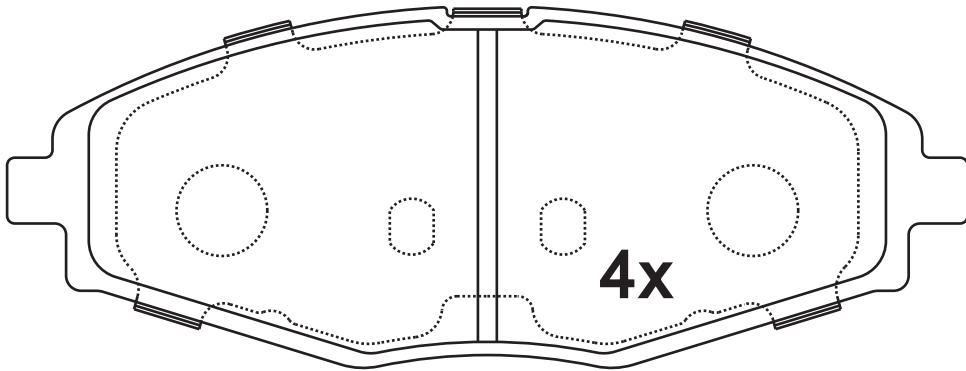
**Thickness
(mm)**

16.1



NOTE

4 identical;



23241

Apply for:

Daewoo Lanos	Hatchback	05.97-
Daewoo Lanos	Saloon	05.97-
Daewoo Matiz	Hatchback	09.98-
Chevrolet Matiz	Hatchback	03.05-
Chevrolet Spark	Hatchback	05.05-

SR0078.01

**Dimension
(mm)**

**Thickness
(mm)**

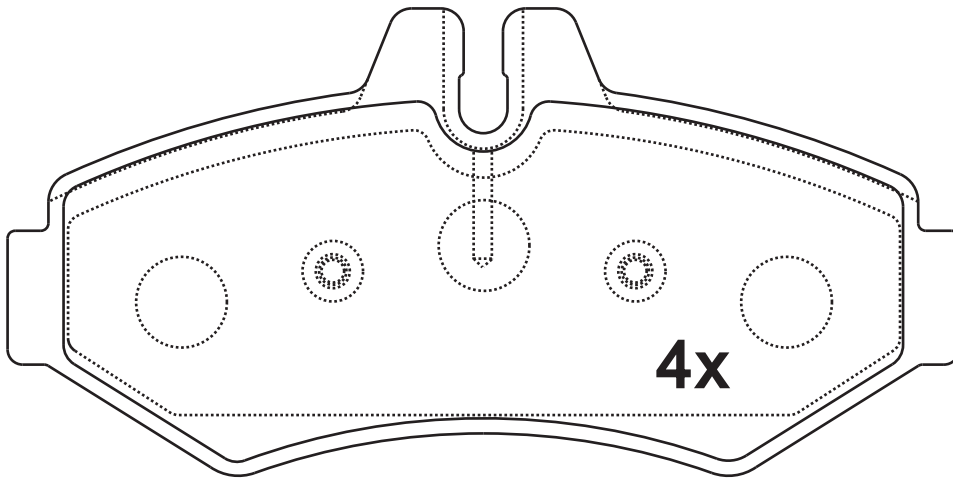


NOTE

4 identical;

125.8×61.9


18.9

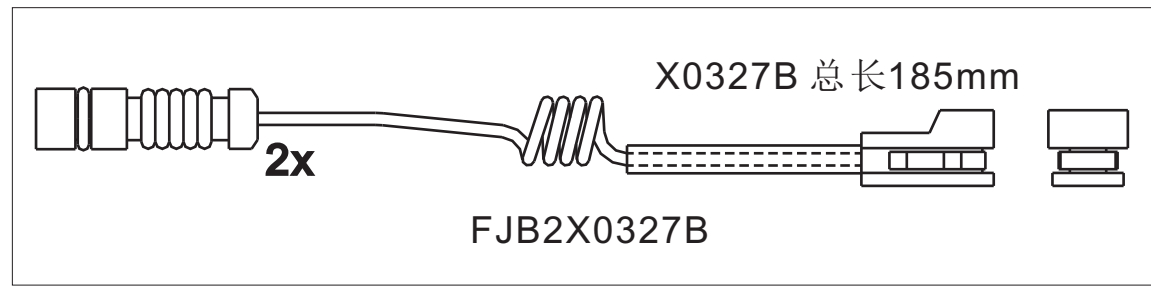
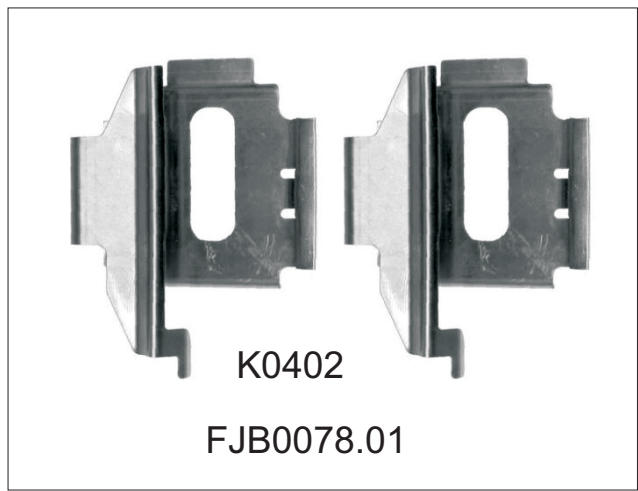


23021

Apply for:

Mercedes G-Class	Saloon	02.90-
Mercedes Sprinter 3-t	Box	01.95-05.06
Mercedes Sprinter 3-t	Bus	01.95-05.06
Mercedes Sprinter 3-t	Platform	01.95-05.06
Volkswagan LT MK II	Box	04.96-07.06
Volkswagan LT MK II	Bus	04.96-07.06
Volkswagan LT MK II	Platform	04.96-07.06

SR0078	Dimension	Thickness		NOTE



SR0079.01

**Dimension
(mm)**

**Thickness
(mm)**

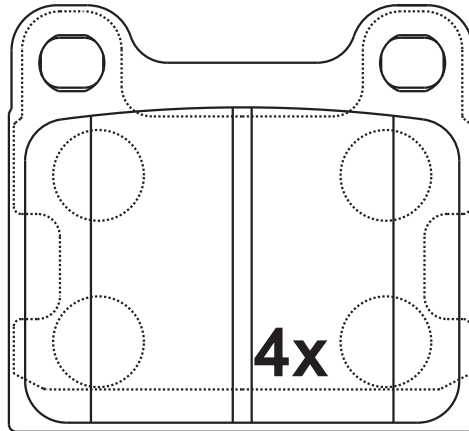


NOTE

4 identical;

61.5×56.5

15.1



20755

Apply for:

Opel
Opel

Kadett
Rekord

1975-1980
1966-1977

SR0079.02

**Dimension
(mm)**

**Thickness
(mm)**

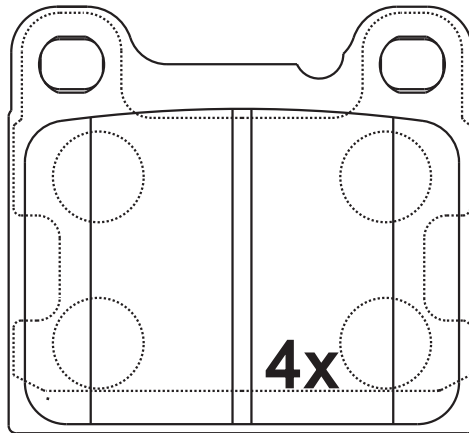


NOTE

4 identical;

61.5×56.5

14.7



20755

Apply for:

Opel
Opel

Kadett
Rekord

1975-1980
1966-1977

SR0079.03

**Dimension
(mm)**

**Thickness
(mm)**

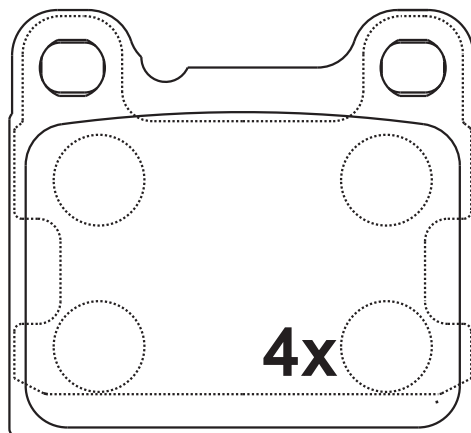


NOTE

4 identical;

61.5×56.5

14.7



20755

Apply for:

Opel
Opel

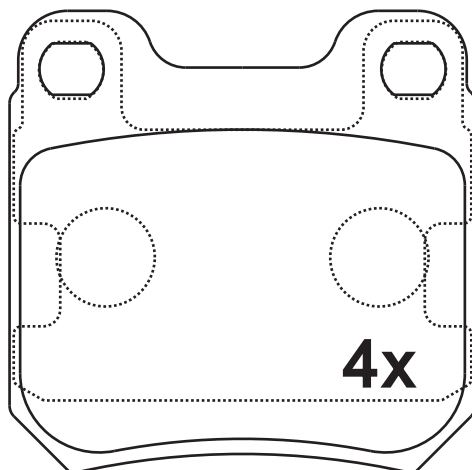
Kadett
Rekord

1975-1980
1966-1977

SR0080.01**Dimension
(mm)****Thickness
(mm)****NOTE****4 identical;**

61.6×61.1

15.8

**21050****Apply for:**

Opel Omega A	Estate	09.86-05.94
Opel Omega B	Estate	03.94-07.03
Opel Senator B	Saloon	09.87-09.93
Opel Vectra B	Saloon	09.95-04.02
Opel Vectra B	Estate	11.96-07.03
Opel Vectra B	Hatchback	10.95-07.03
Saab 900II	Hatchback	07.93-02.98
Saab 900II	Convertible	12.93-02.98
Saab 900II	Coupe	12.93-02.98
Vauxhall Calibra	Coupe	04.93-07.97
Vauxhall Calibra MK III	Saloon	09.86-07.97
Vauxhall Calibra MK III	Estate	09.86-03.94
Vauxhall Omega	Saloon	03.94-
Vauxhall Omega	Estate	03.94-
Vauxhall Senator MK II	Saloon	09.87-
Vauxhall Vectra	Saloon	10.95-
Vauxhall Vectra	Estate	11.96-
Vauxhall Vectra	Hatchback	10.95-

SR0081.01

**Dimension
(mm)**

94.7×51.9

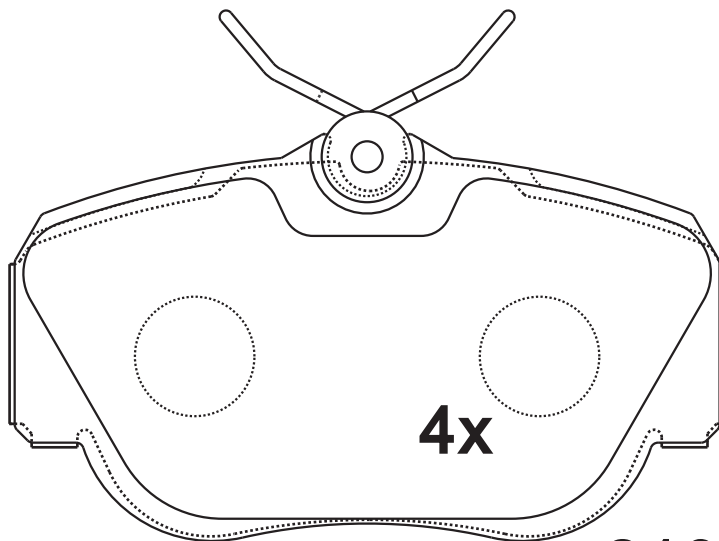
**Thickness
(mm)**

17



NOTE

4 identical;



21055

Apply for:

Mercedes 190

Saloon

10.82-08.93

SR0081.02

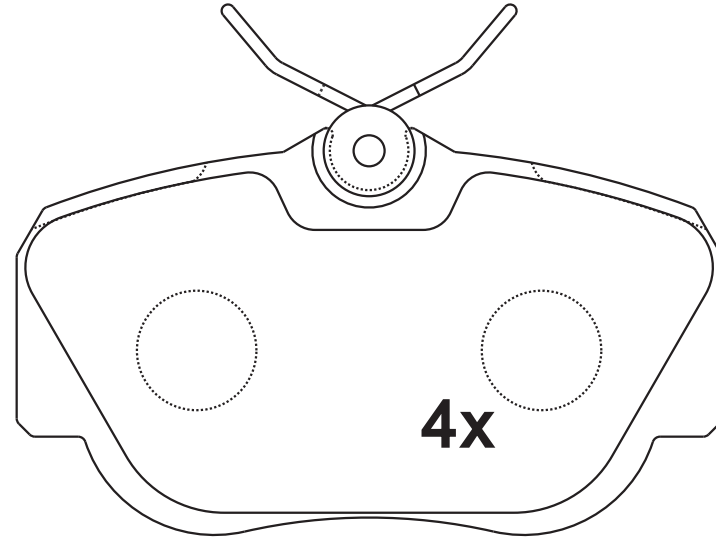
**Dimension
(mm)**

**Thickness
(mm)**



NOTE

4 identical;



21055

Apply for:

Mercedes 190

Saloon

10.82-08.93

SR0081.03

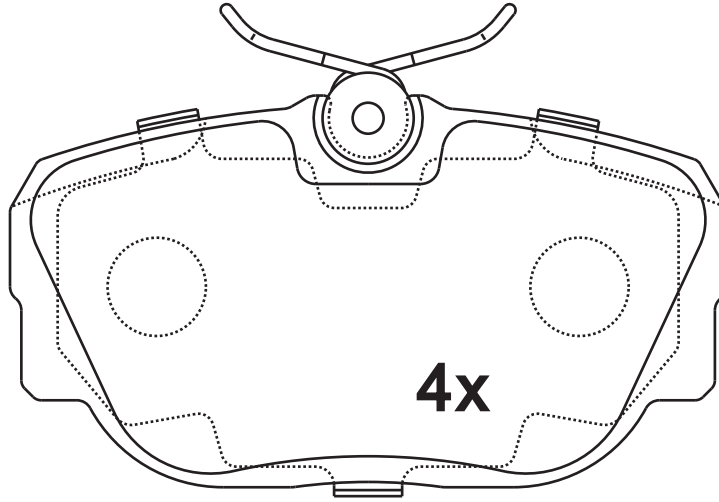
**Dimension
(mm)**

**Thickness
(mm)**



NOTE

4 identical;



21173

Apply for:

BMW 318i	1984-1985
BMW 318i	1991
BMW 318i Convertible	1992
BMW 318is	1991
BMW 325	1984-1988
BMW 325e	1985-1987
BMW 325es	1986-1987
BMW 325i	1987-1993
BMW 325is	1987-1991
BMW 325iX	1988-1991

SR0081.04

**Dimension
(mm)**

**Thickness
(mm)**

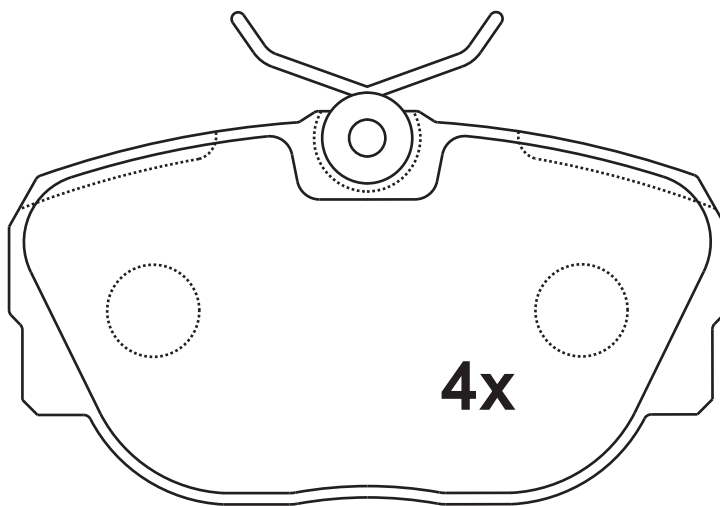


NOTE

4 identical;

94.7×51.9

17



21173

Apply for:

- | | |
|----------------------|-----------|
| BMW 318i | 1984-1985 |
| BMW 318i | 1991- |
| BMW 318i Convertible | 1992- |
| BMW 318is | 1991- |
| BMW 325 | 1984-1988 |
| BMW 325e | 1985-1987 |
| BMW 325es | 1986-1987 |
| BMW 325i | 1987-1993 |
| BMW 325is | 1987-1991 |
| BMW 325iX | 1988-1991 |

SR0081.05

**Dimension
(mm)**

94.7×51.9

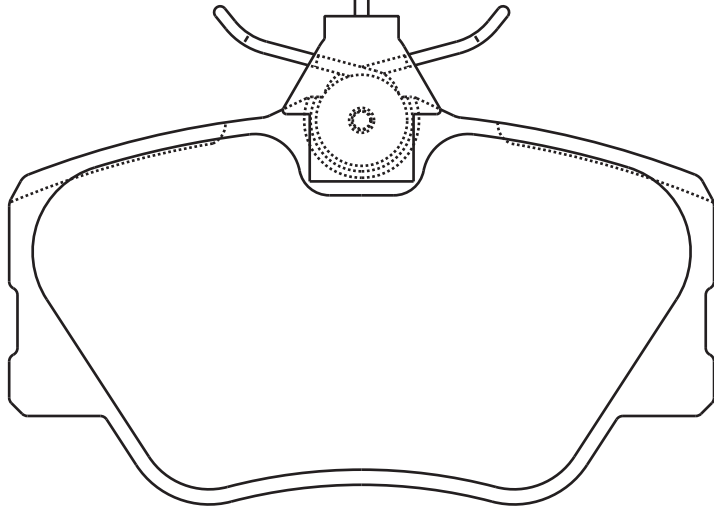
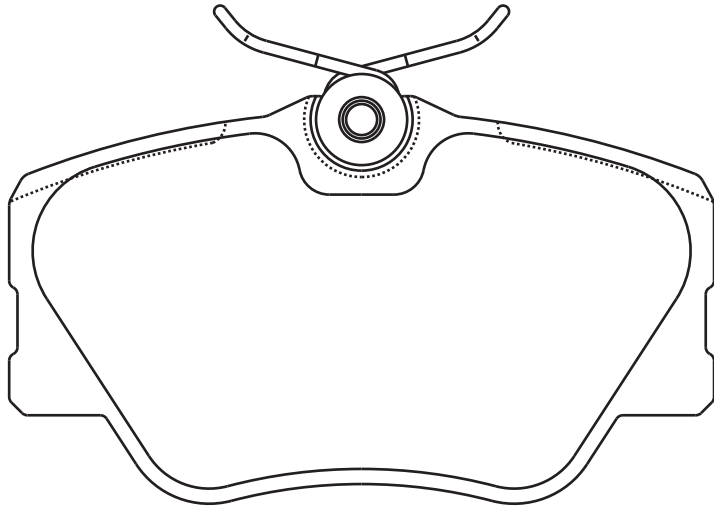
**Thickness
(mm)**

17



NOTE

4 identical;



Apply for:

- | | |
|----------------------|-----------|
| BMW 318i | 1984-1985 |
| BMW 318i | 1991- |
| BMW 318i Convertible | 1992- |
| BMW 318is | 1991- |
| BMW 325 | 1984-1988 |
| BMW 325e | 1985-1987 |
| BMW 325es | 1986-1987 |
| BMW 325i | 1987-1993 |
| BMW 325is | 1987-1991 |
| BMW 325iX | 1988-1991 |

0014209620

SR0081

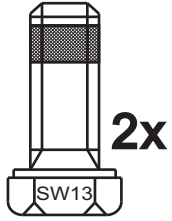
**Dimension
(mm)**

**Thickness
(mm)**

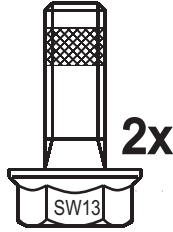


NOTE

**附件包
Accessory bag**



M8×21
L0010
FJB0003.01



M8X22
L0020
FJB0621.01

SR0082.01

**Dimension
(mm)**

129.9×72.8

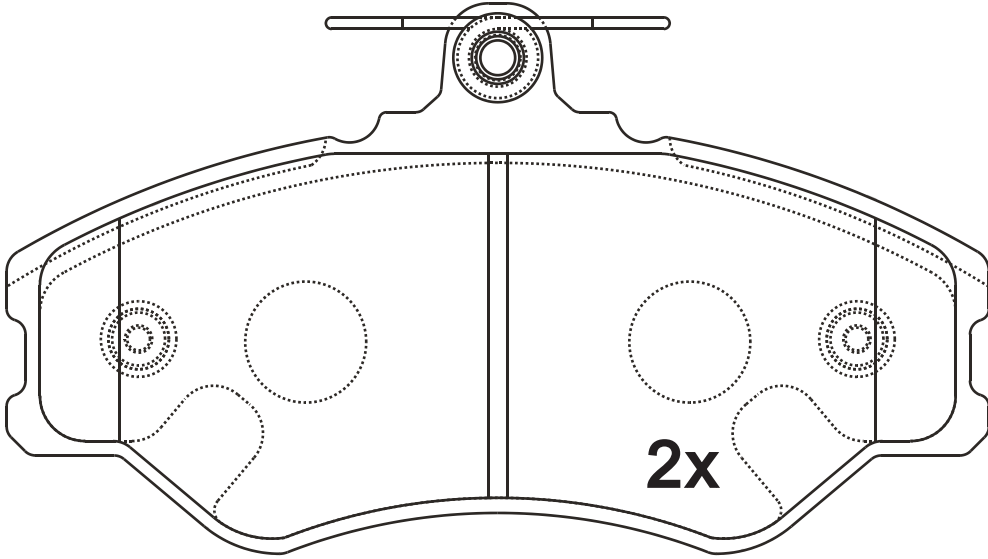
**Thickness
(mm)**

18

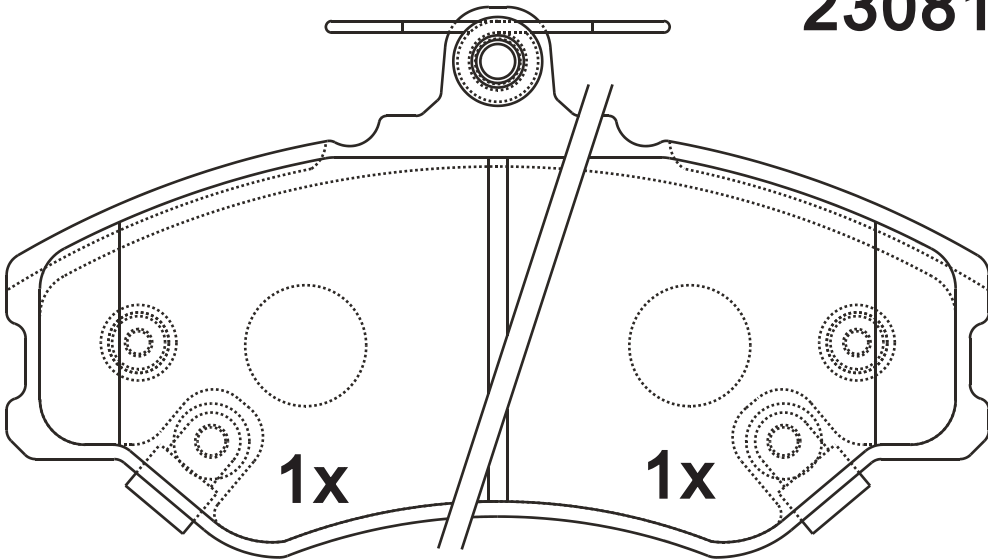


NOTE

4 identical, 1 with
acoustic indicator (left),
1 with acoustic indicator
(right).



23081



23082

23083

Apply for:

Hyundai H100
Hyundai H100

Bus
Box

07.93-03.00
07.93-03.00

SR0083.01

**Dimension
(mm)**

130×52.5

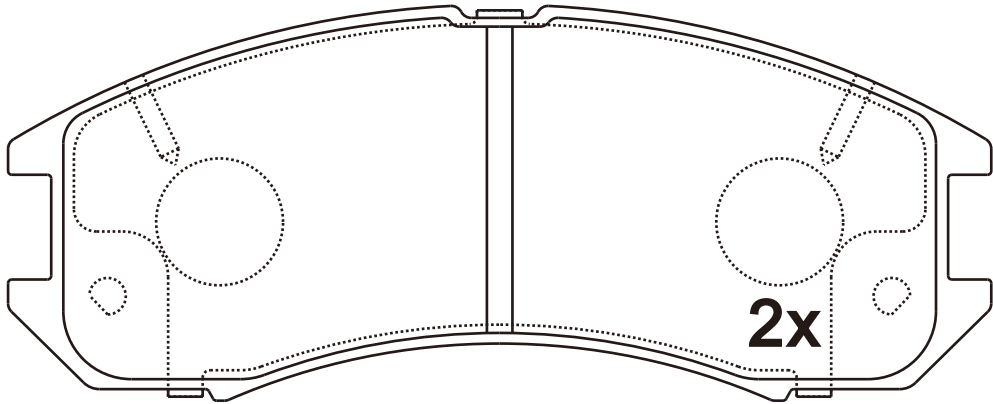
**Thickness
(mm)**

15

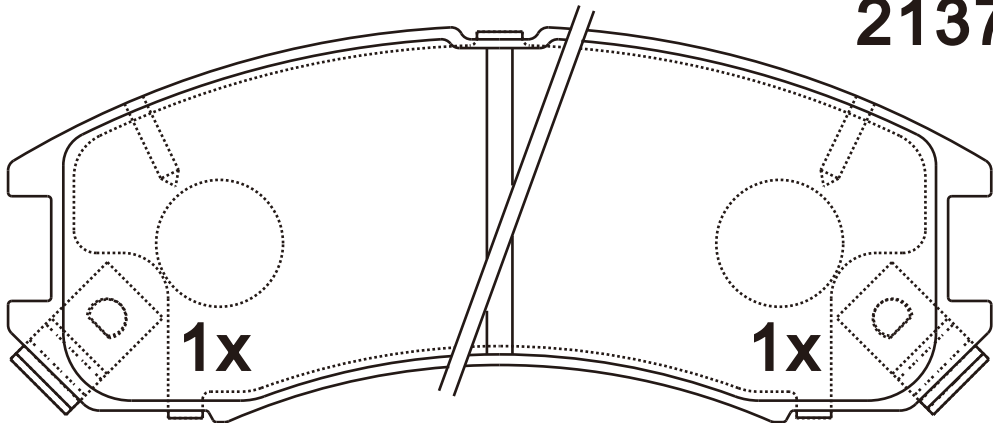


NOTE

4 identical, 1 with acoustic indicator (left), 1 with acoustic indicator (right).



21378



21380

21379

Apply for:

Mazda 626 III
Mazda 626 III
Mazda 626 III
Mazda 626 III

Estate
Saloon
Coupe
Hatchback

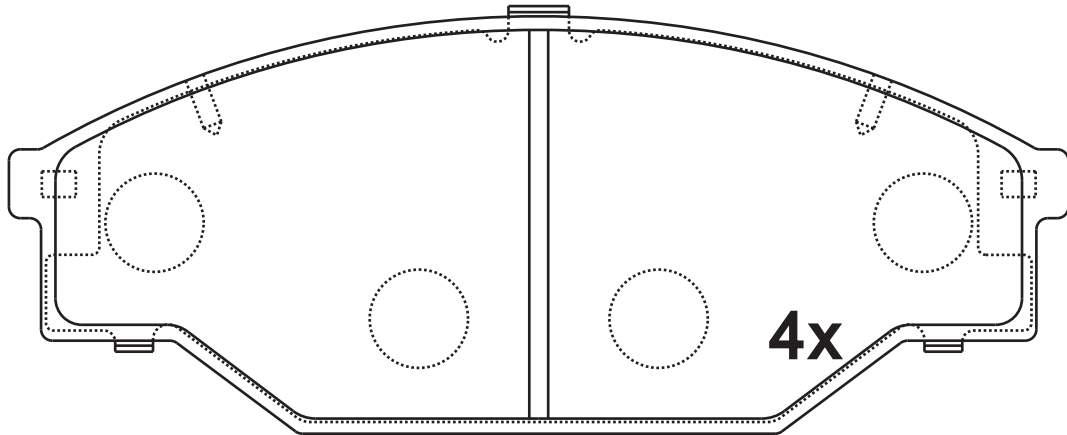
03.89-11.96
06.87-05.92
06.87-05.92
06.87-05.92

SR0084.01**Dimension
(mm)**

140.1×55.2

**Thickness
(mm)**

15.5

**NOTE****4 identical;****21158****Apply for:**

Toyota Hiace I	Box	02.77-03.83
Toyota Hiace II	Box	03.83-11.89
Toyota Hiace II	Pickup	11.82-07.05
Toyota Camry	Saloon	10.86-05.91
Toyota Camry	Estate	11.86-05.91
Toyota Celica	Saloon	01.87-08.90
Toyota Celica	Convertible	10.86-08.90
Toyota Celica	Hatchback	08.85-08.89
Toyota Hulix	Pickup	08.88-
Volkswagan Taro	Saloon	04.89-03.97

SR0084.02

**Dimension
(mm)**

142.6×55.3

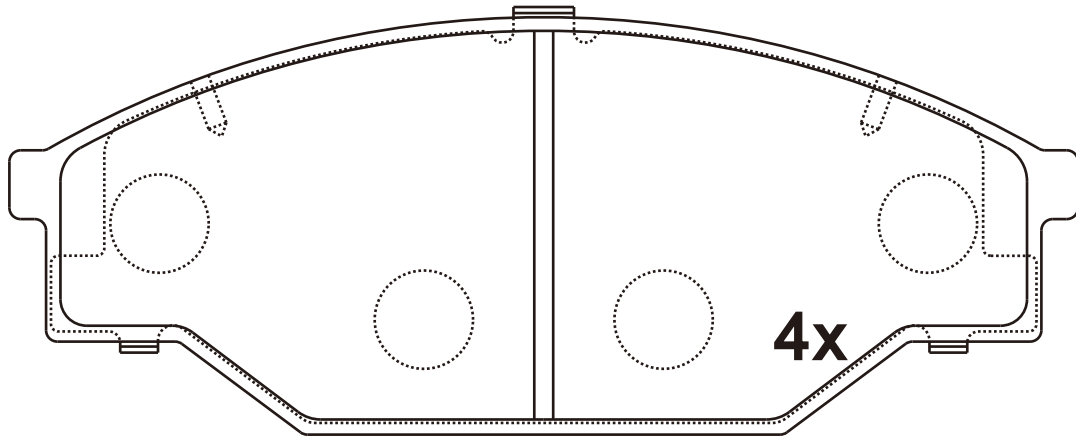
**Thickness
(mm)**

15.5



NOTE

4 identical;



21158

Apply for:

TOYOTA CAMRY
TOYOTA CAMRY Estate
TOYOTA DYNA 100 Platform/Chassis
TOYOTA HILUX IV Pickup
VW TARO 1.8

1986-1988
1986-1989
1995-2001
1983-1988
1989-1994

SR0085.01

**Dimension
(mm)**

139.8×49

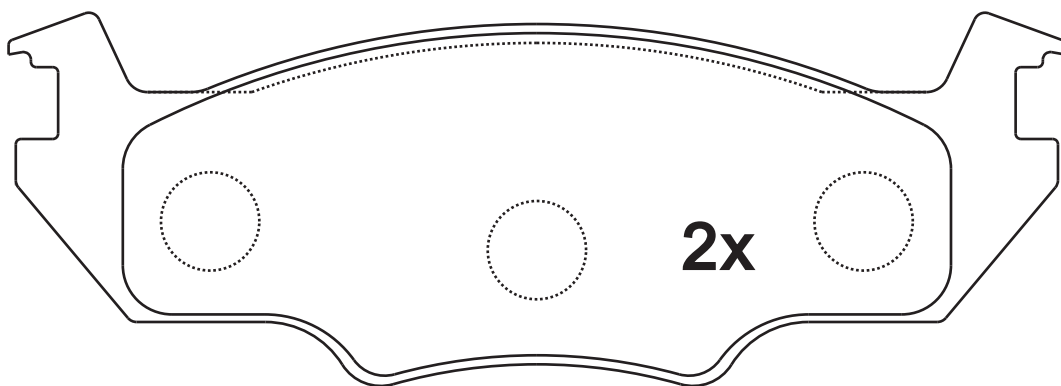
**Thickness
(mm)**

15.3

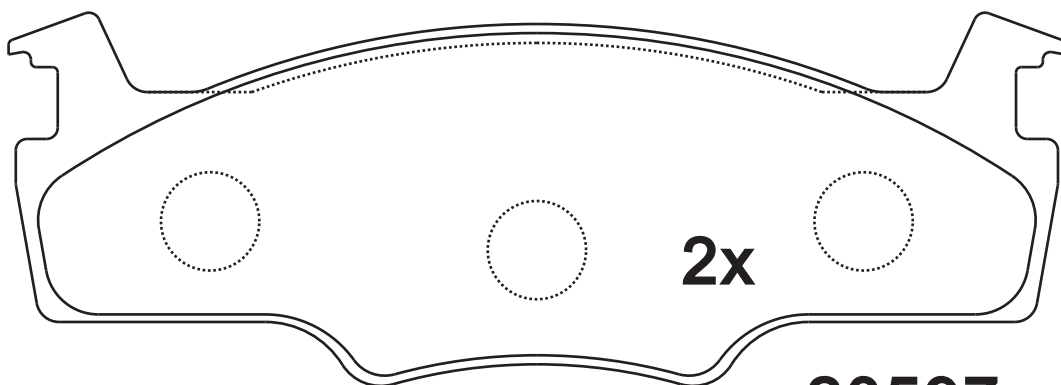


NOTE

2 identical;2 identical;



20596



20597

Apply for:

Seat Cordoba	Saloon	02.93-06.99
Volkwagan Golf III	Hatchback	11.91-08.97
Volkwagan Passat	Saloon	08.88-08.96
Volkwagan Passat Variant	Estate	08.88-05.97
Volkwagan Santana	Saloon	08.88-05.97
Volkwagan Scirocco	Coupe	08.80-04.84

SR0086.01

**Dimension
(mm)**

**Thickness
(mm)**

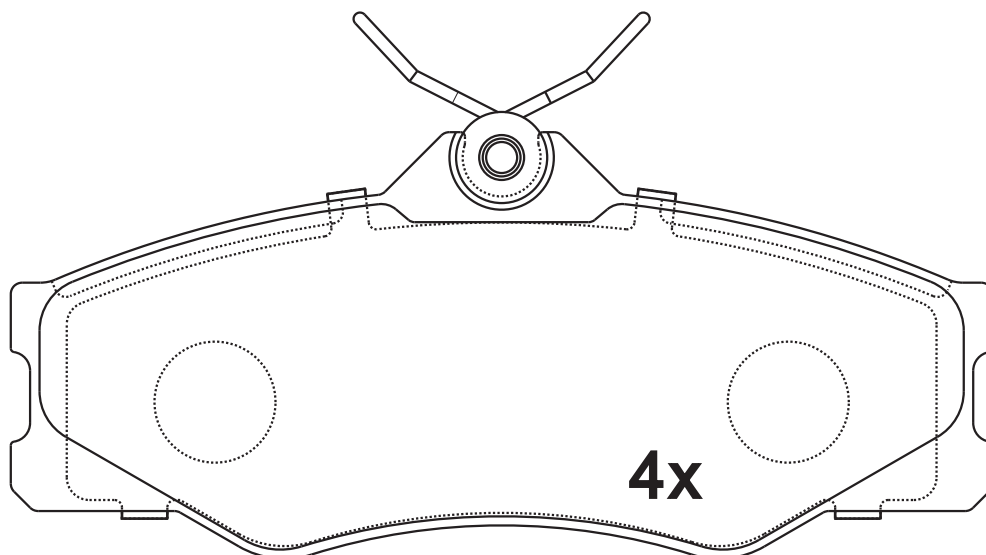


NOTE

4 identical;

130×56.7

19.4



20979

Apply for:

Volkwan Transporter T3
Volkwan Transporter T3
Volkwan Transporter T3

Box
Bus
Platform

05.79-12.92
05.79-07.92
05.79-12.92

SR0086

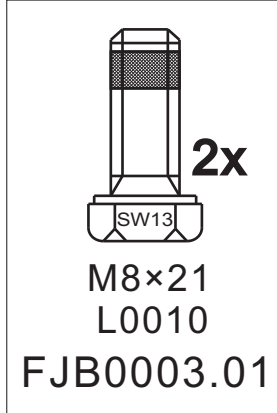
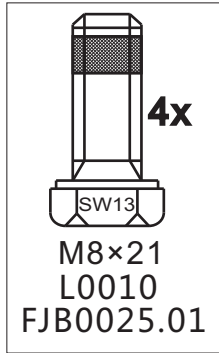
**Dimension
(mm)**

**Thickness
(mm)**



NOTE

附件包
Accessory bag



SR0087.01

**Dimension
(mm)**

149×69

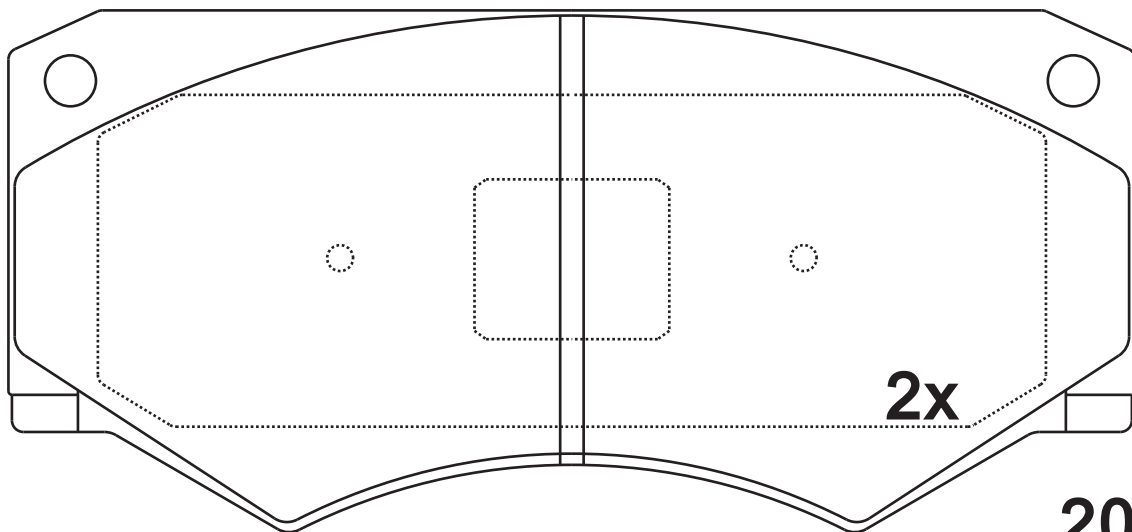
**Thickness
(mm)**

18

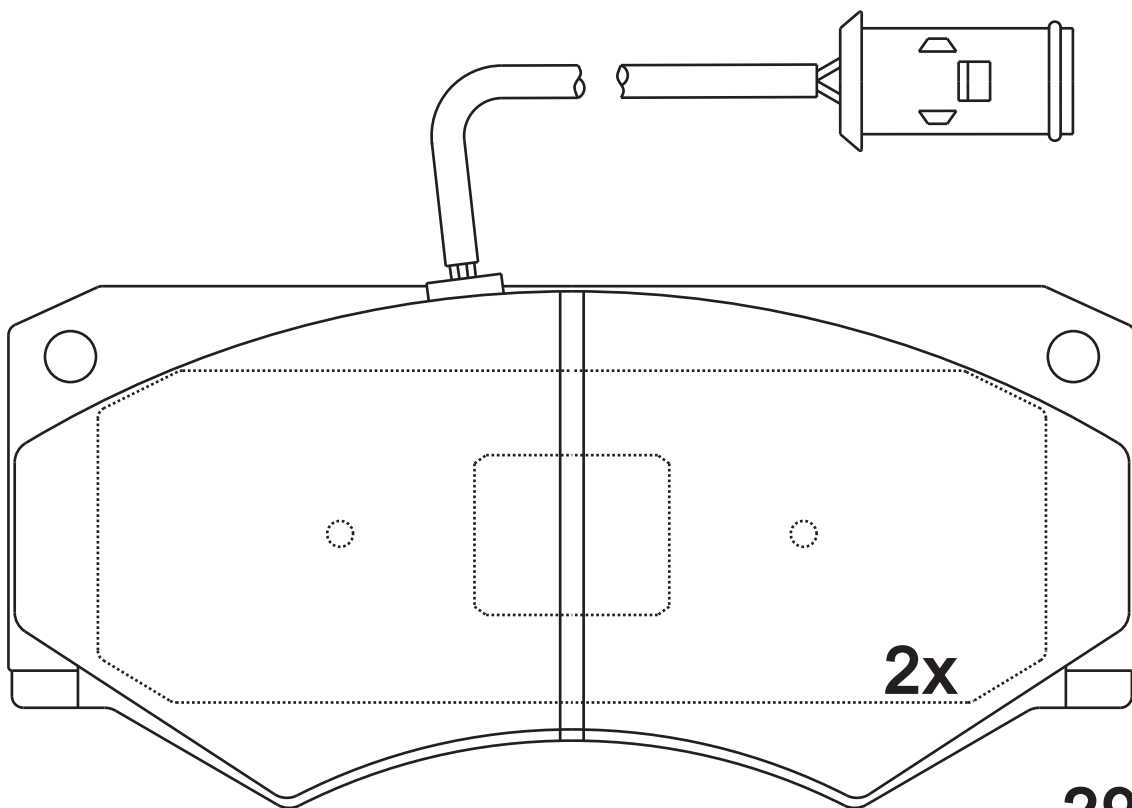


NOTE

4 identical, 2 with warn indicator.



20465



29012



Apply for:

Iveco Daliy I
Iveco Daliy I
Iveco Daliy II
Iveco Daliy II

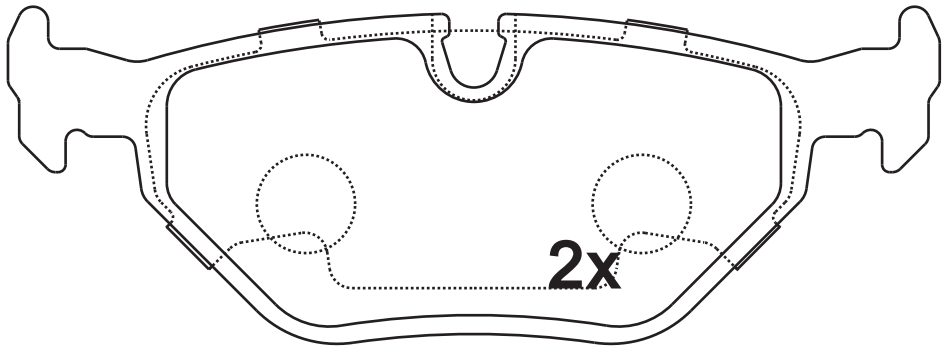
Box
Platform
Bus
Platform

01.78-08.98
01.78-05.99
01.89-05.99
01.89-05.99

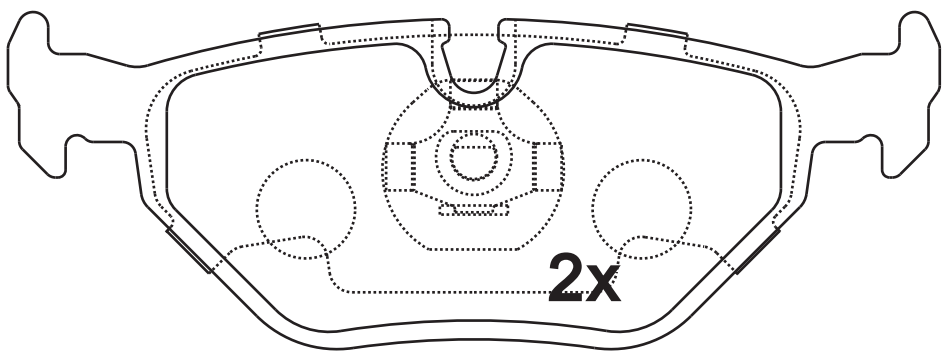
SR0088.01

Dimension (mm)	Thickness (mm)	
123×44.9	17.3	

NOTE
4 identical, 2 with spring;





20995

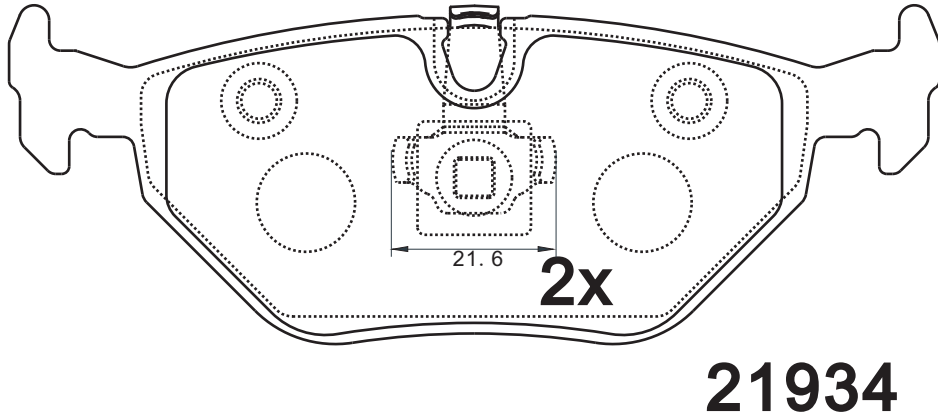
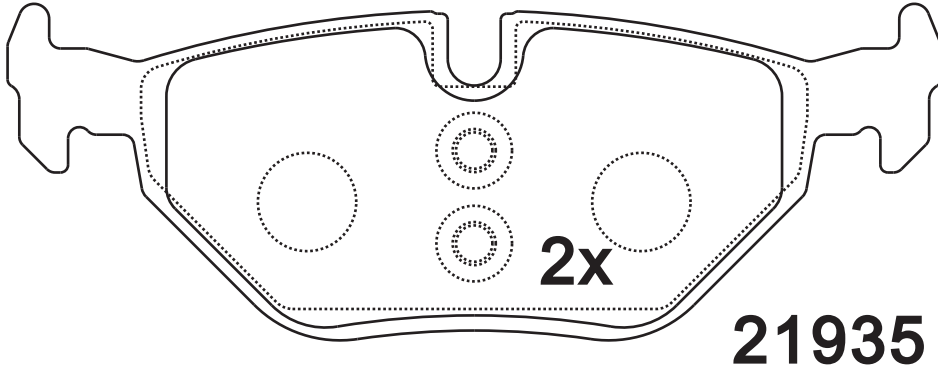


20996

Apply for:



BMW Z1	Convertible	06.88-06.91
BMW Z3	Coupe	02.98-06.03
BMW Z3	Convertible	03.97-01.03
BMW 3	Saloon	07.86-02.98
BMW 3	Convertible	06.88-04.99
BMW 3	Coupe	10.92-04.99
BMW 5	Saloon	01.88-08.91
BMW 7	Saloon	09.87-09.94

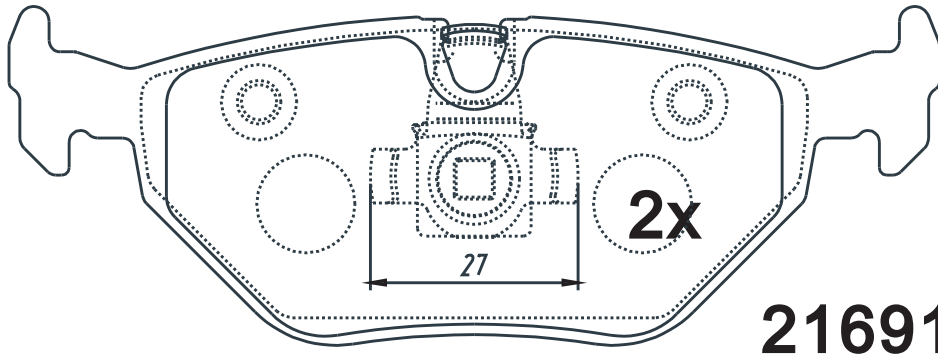
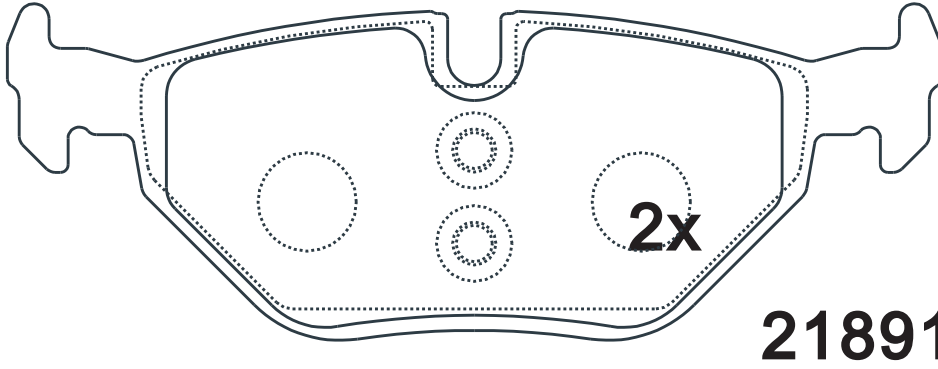
SR0088.02	Dimension (mm)	Thickness (mm)		NOTE
	123.4×44.8	17.3		2 identical, 2 with spring;



Apply for:

- | | |
|----------------------|-----------|
| BMW 323i | 1998- |
| BMW 323i Convertible | 1999- |
| BMW 323is | 1998-1999 |
| BMW 323i Sport Wagon | 2000- |
| BMW 325Ci | 2001-2006 |
| BMW 325i | 2001-2005 |
| BMW 328i Convertible | 1999- |
| BMW 328is | 1999- |
| BMW Z4 | 2003- |
| BMW Z4 3.0Si | 2006-2007 |
| BMW Z4 Roadster 3.0i | 2006-2007 |
| SAAB 9-5 | 1999-2005 |
| SAAB 9-5 288mm Rotor | 2006-2009 |
| SAAB 9-5 308mm Rotor | 2006-2009 |

SR0088.03	Dimension (mm)	Thickness (mm)		NOTE 2 identical, 2 with spring;
	123.4×44.8	17.3		



Apply for:

- | | |
|----------------------|-----------|
| BMW 323i | 1998- |
| BMW 323i Convertible | 1999- |
| BMW 323is | 1998-1999 |
| BMW 323i Sport Wagon | 2000- |
| BMW 325Ci | 2001-2006 |
| BMW 325i | 2001-2005 |
| BMW 328i Convertible | 1999- |
| BMW 328is | 1999- |
| BMW Z4 | 2003- |
| BMW Z4 3.0Si | 2006-2007 |
| BMW Z4 Roadster 3.0i | 2006-2007 |
| SAAB 9-5 | 1999-2005 |
| SAAB 9-5 288mm Rotor | 2006-2009 |
| SAAB 9-5 308mm Rotor | 2006-2009 |

SR0088

**Dimension
(mm)**

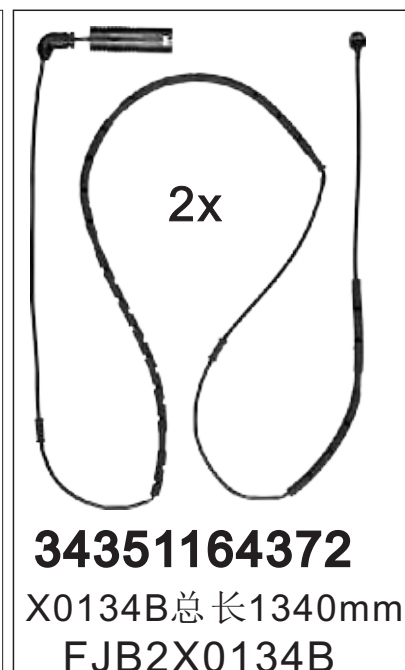
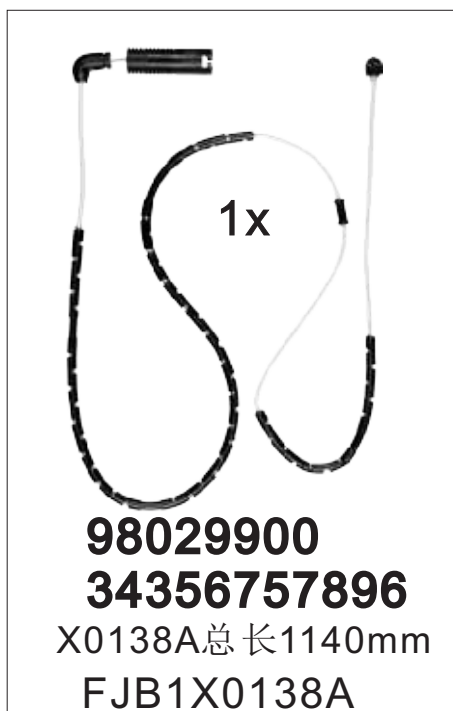
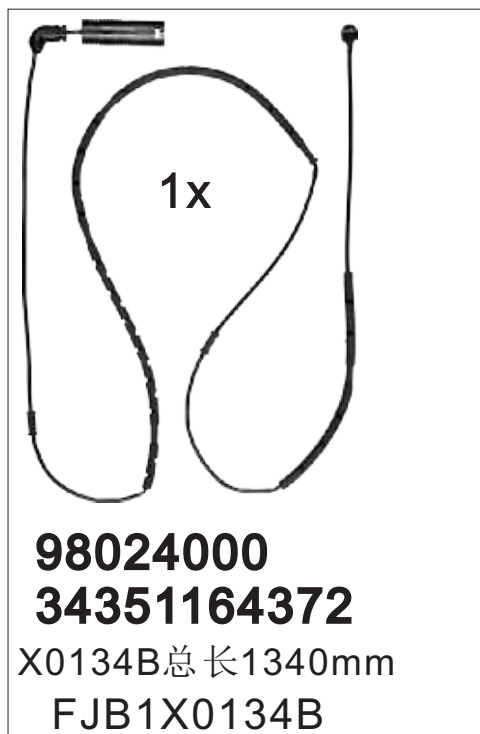
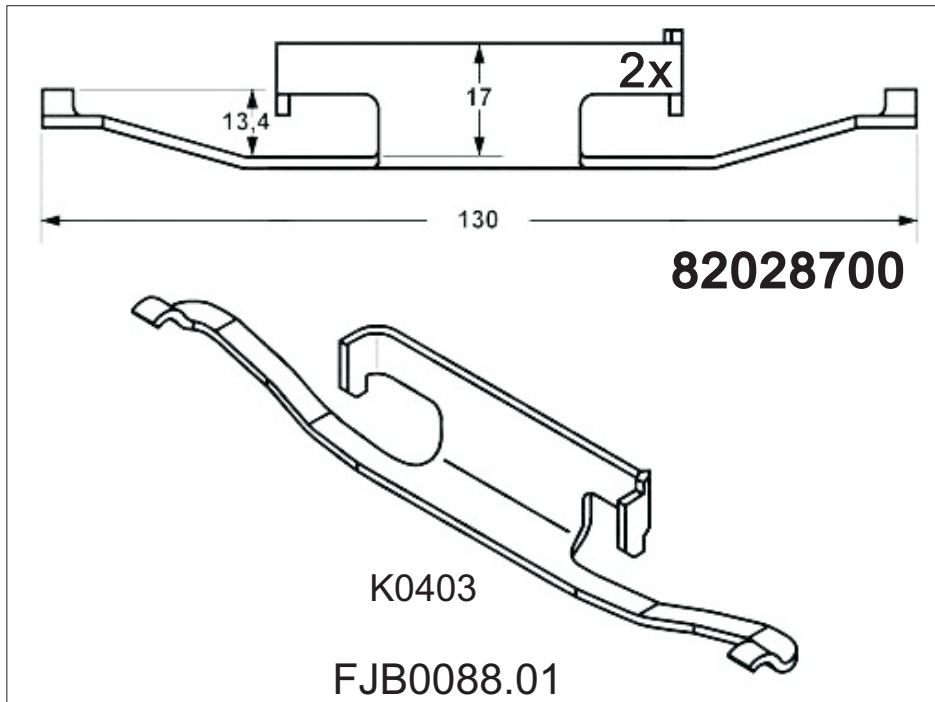
**Thickness
(mm)**



NOTE

附件包

Accessory kit



SR0089.01

**Dimension
(mm)**

148.8×60.4

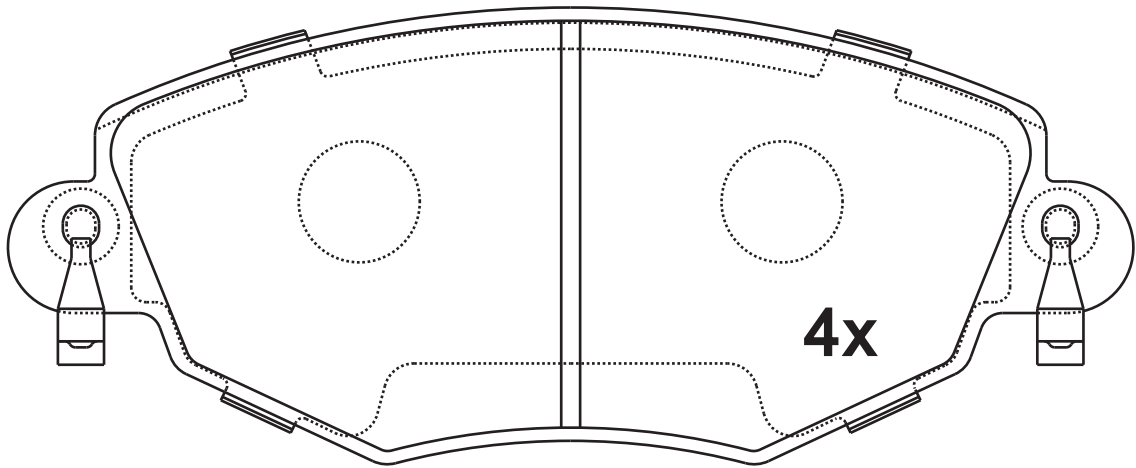
**Thickness
(mm)**

18.4



NOTE



4 identical;

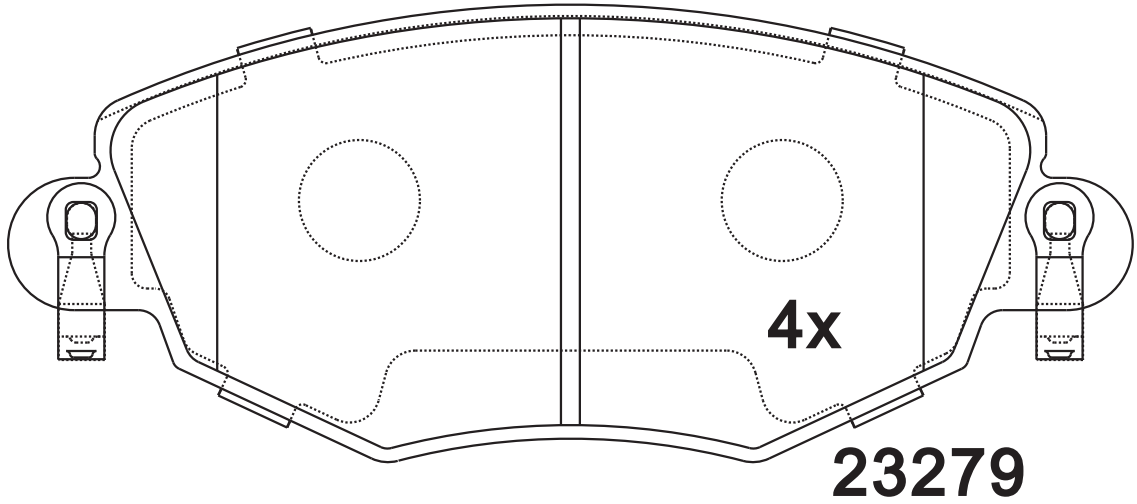


23279

Apply for:

Ford Mondeo III	Hatchback	11.00-08.07
Ford Mondeo III	Saloon	11.00-08.07
Ford Mondeo III	Estate	11.00-08.07
Jaguar X-Type	Saloon	06.01-11.09
Jaguar X-Type	Estate	11.03-12.09

SR0089.02	Dimension (mm)	Thickness (mm)		NOTE 4 identical;
	148.8×60.5	18.4		



Apply for:

Ford Mondeo III	Hatchback	11.00-08.07
Ford Mondeo III	Saloon	11.00-08.07
Ford Mondeo III	Estate	11.00-08.07
Jaguar X-Type	Saloon	06.01-11.09
Jaguar X-Type	Estate	11.03-12.09

SR0089

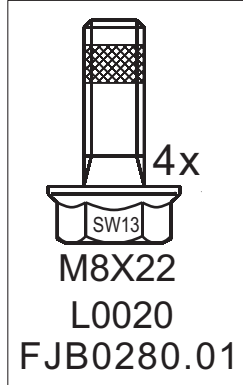
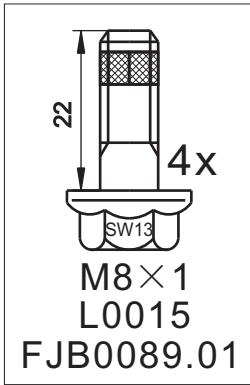
**Dimension
(mm)**

**Thickness
(mm)**



NOTE

附件包
Accessory bag



SR0090.01

**Dimension
(mm)**

151.2×46.5

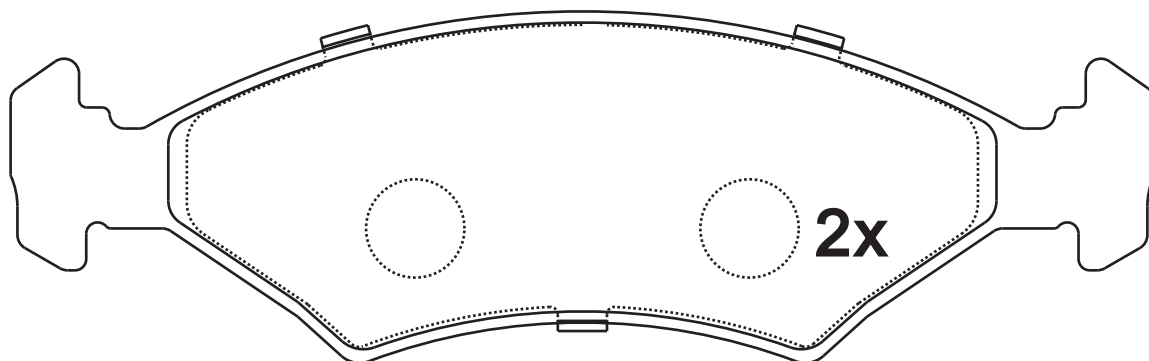
**Thickness
(mm)**

17.5

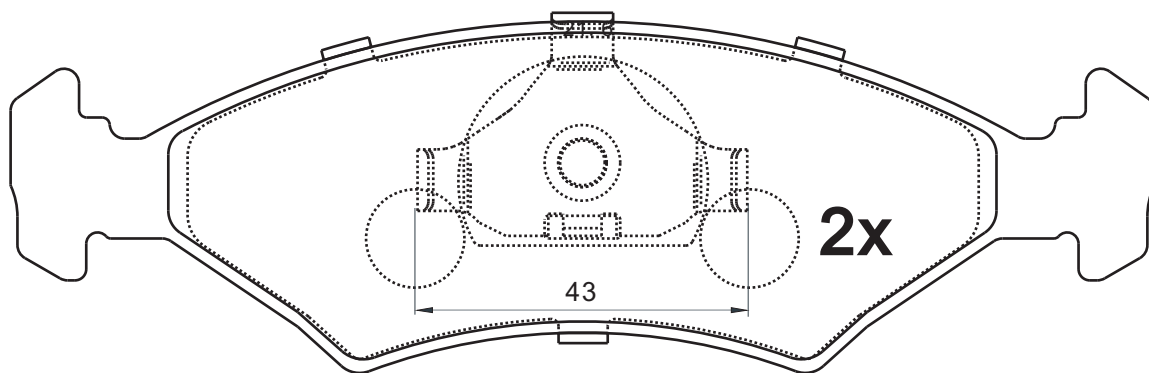


NOTE

2 identical;2 identical;



20640



20753

Apply for:

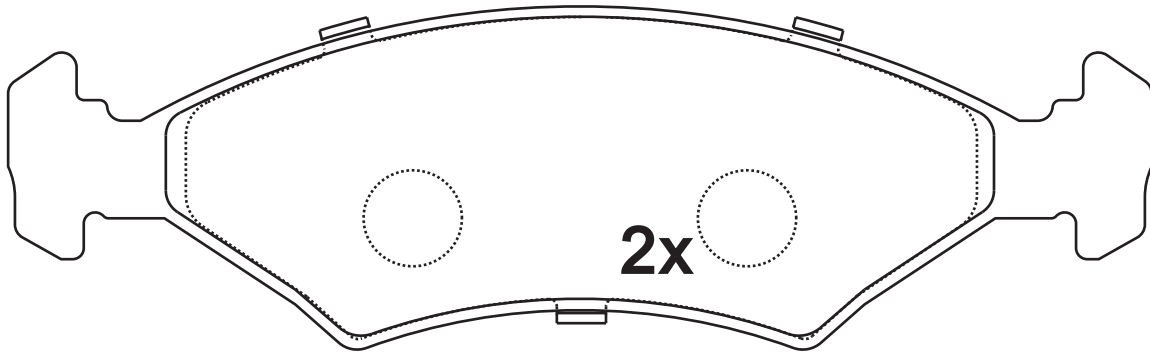
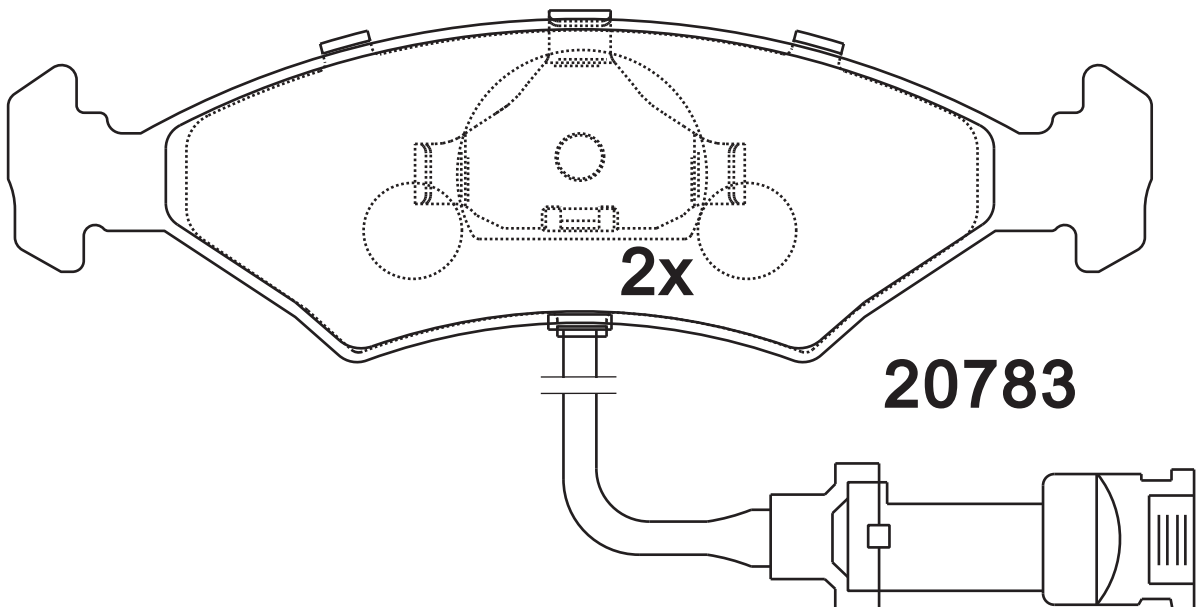
Ford Fiesta	Box	02.96-
Ford Puma	Coupe	03.97-06.02
Ford Escort	Box	03.81-02.86
Ford Escort III	Hatchback	08.80-12.85
Ford Orion I	Saloon	07.83-03.86
Ford Sierra	Estate	08.82-12.86
Ford Sierra	Hatchback	08.82-12.86

SR0090.02**Dimension
(mm)**

151.6×46.5

**Thickness
(mm)**

17.5

**NOTE****4 identical, 2 with spring and warn indicator.****20640****20783****Apply for:**

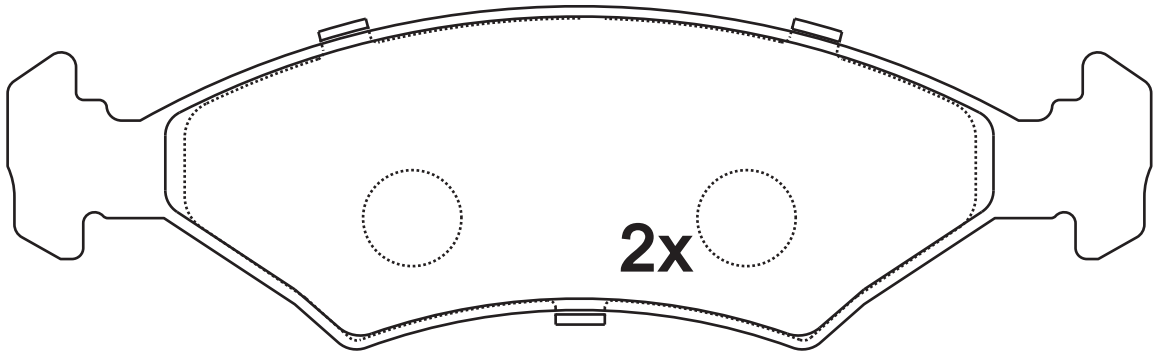
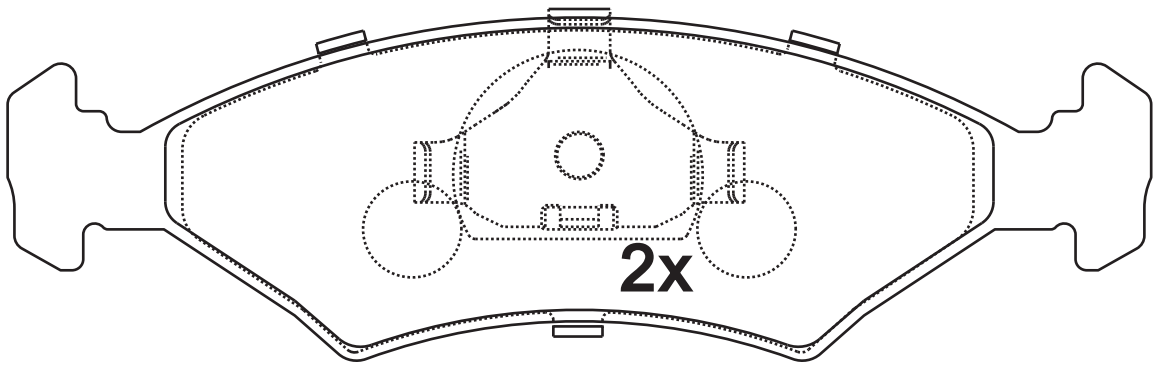
Ford Escort MK III	Saloon	09.80-07.86
Ford Escort MK III	Convertible	09.83-12.85
Ford Escort MK III	Estate	09.80-12.85
Ford Fiesta MK II	Saloon	09.83-11.89
Ford Fiesta MK III	Saloon	09.83-11.89
Ford Sierra	Estate	08.82-02.93
Ford Sierra	Saloon	01.87-02.93
Ford Sierra	Hatchback	08.82-03.93

SR0090.03**Dimension
(mm)**

151.6×46.5

**Thickness
(mm)**

16

**NOTE****2 identical;2 identical;****20640****20753****Apply for:**

Ford Fiesta	Box	02.96-
Ford Puma	Coupe	03.97-06.02
Ford Escort	Box	03.81-02.86
Ford Escort III	Hatchback	08.80-12.85
Ford Orion I	Saloon	07.83-03.86
Ford Sierra	Estate	08.82-12.86
Ford Sierra	Hatchback	08.82-12.86

SR0090.04

**Dimension
(mm)**

**Thickness
(mm)**

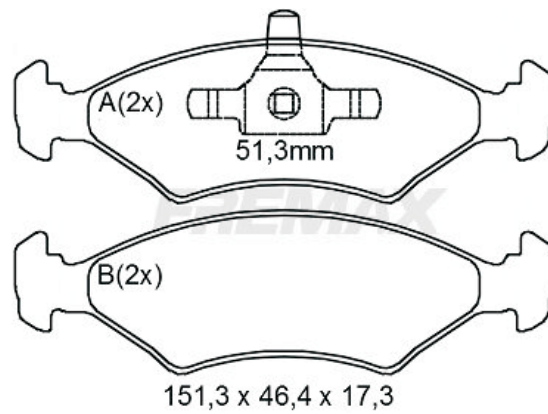


NOTE

2 identical;2 identical;

151.3×46.4

17.5





Apply for:

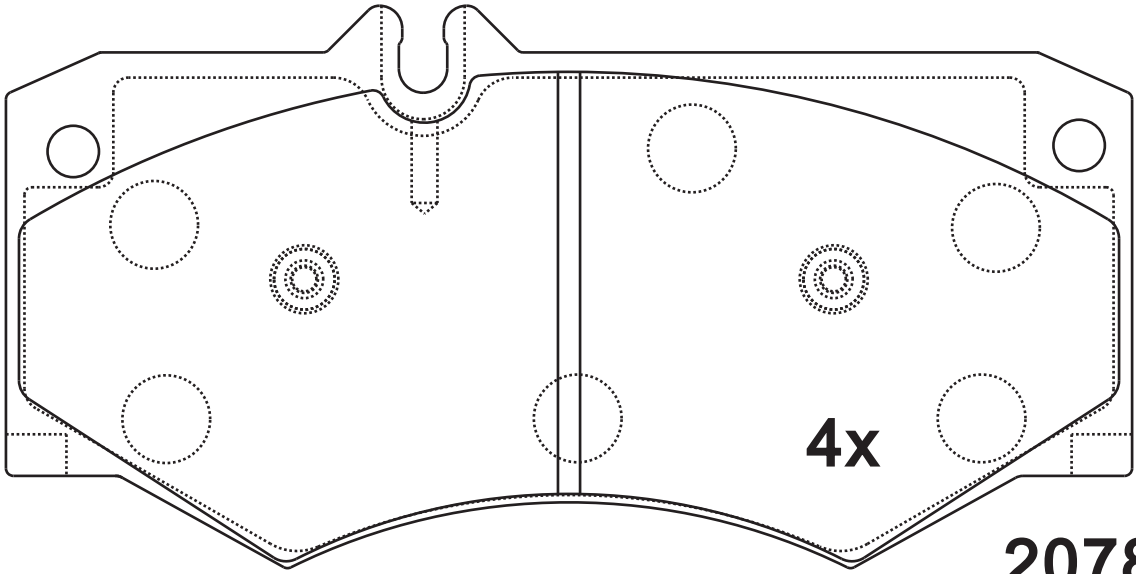
FORD COURIER Pickup 1.6 Flexfuel

2009-2013

FORD FIESTA VI (CB1, CCN) 1.6 SE Flex

2010-

SR0091.01	Dimension (mm)	Thickness (mm)		NOTE 4 identical;
	149×75	18		



20784

Apply for:

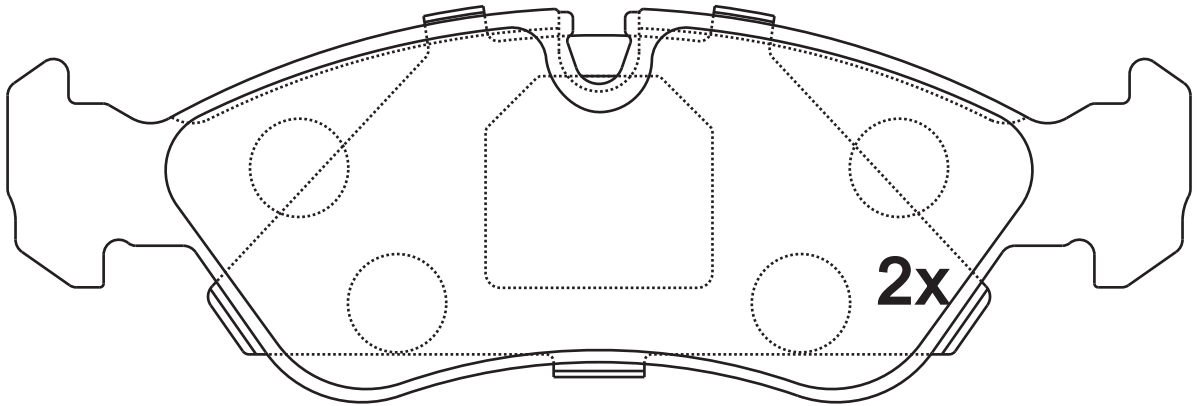
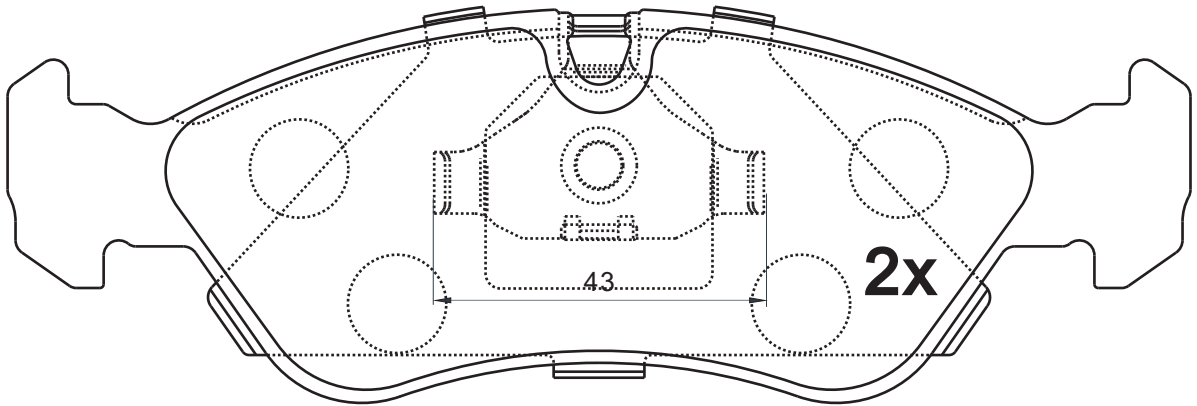
Mercedes G-Class	Closed off-Road	02.90-
Mercedes G-Class	Open off-Road	09.89-
Mercedes T1	Bus	05.77-02.96
Mercedes T1	Box	12.82-02.86

SR0092.01**Dimension
(mm)****Thickness
(mm)****NOTE**

4 identical, 2 with spring

156.4×52

17.5

**21190****21201****Apply for:**

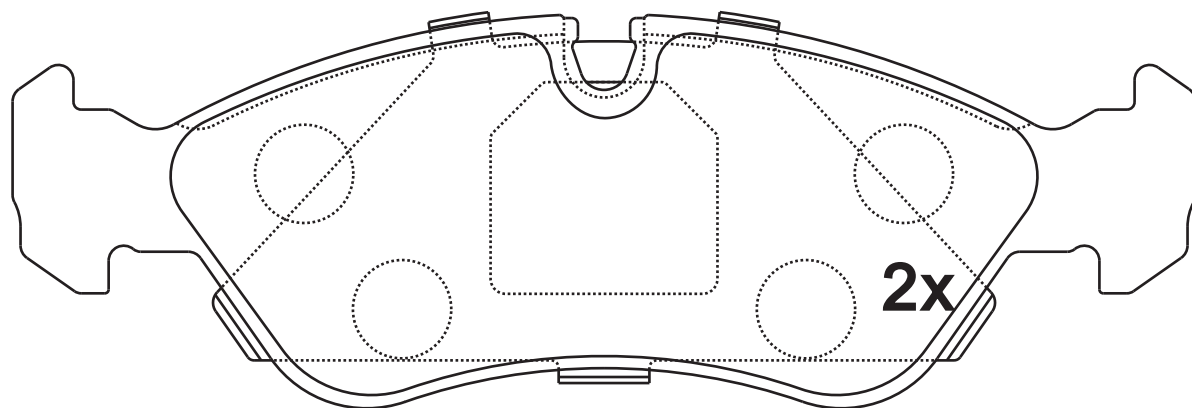
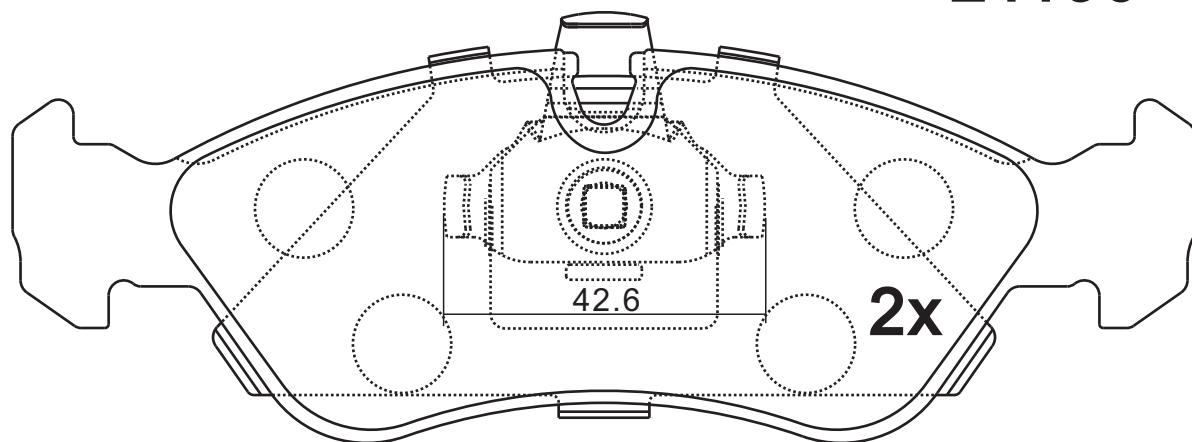
Daewoo Cielo	Saloon	06.94-07.98
Daewoo Lanos	Hatchback	05.97-
Daewoo Espero	Saloon	02.95-06.99
Daewoo Nexia	Hatchback	02.95-08.97
Opel Ascona C	Saloon	03.87-08.88
Opel Astra F	Saloon	03.92-09.98
Opel Astra F	Estate	01.98-01.05
Opel Calibra A	Coupe	06.90-07.97
Opel Kadett E	Saloon	03.87-08.91
Opel OmegaA	Saloon	09.86-03.94
Opel Vectra A	Saloon	09.88-11.95

SR0092.02**Dimension
(mm)****Thickness
(mm)****NOTE**

4 identical, 2 with spring

156.4×52

17.5

**21190****21201****Apply for:**

Daewoo Cielo	Saloon	06.94-07.98
Daewoo Lanos	Hatchback	05.97-
Daewoo Espero	Saloon	02.95-06.99
Daewoo Nexia	Hatchback	02.95-08.97
Opel Ascona C	Saloon	03.87-08.88
Opel Astra F	Saloon	03.92-09.98
Opel Astra F	Estate	01.98-01.05
Opel Calibra A	Coupe	06.90-07.97
Opel Kadett E	Saloon	03.87-08.91
Opel OmegaA	Saloon	09.86-03.94
Opel Vectra A	Saloon	09.88-11.95

SR0093.01

**Dimension
(mm)**

149×69

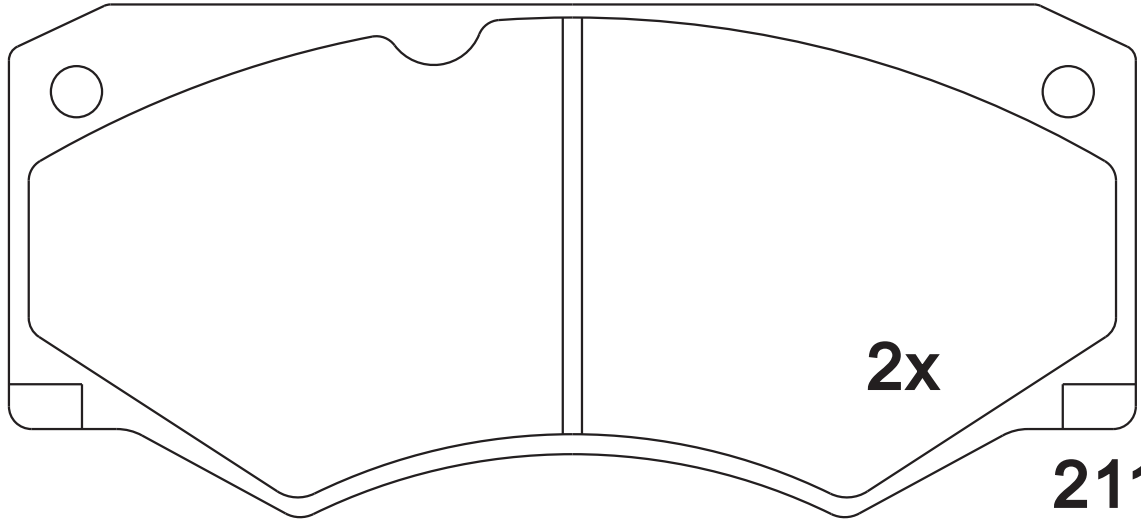
**Thickness
(mm)**

18



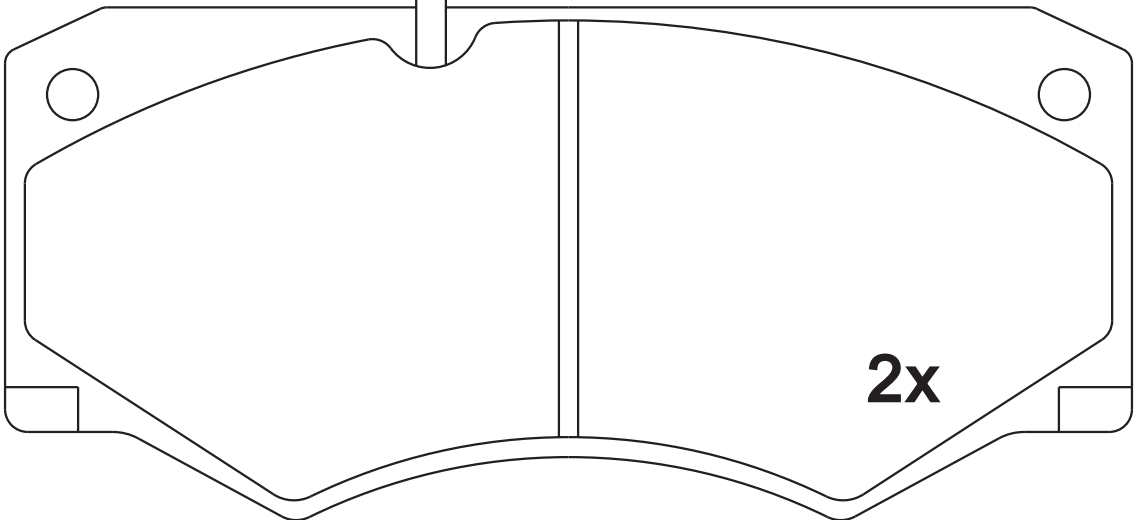
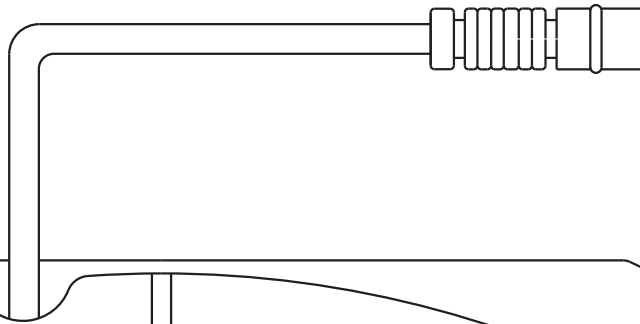
NOTE

4 identical, 2 with warn indicators.



21186

无模具



Apply for:

Mercedes G-class

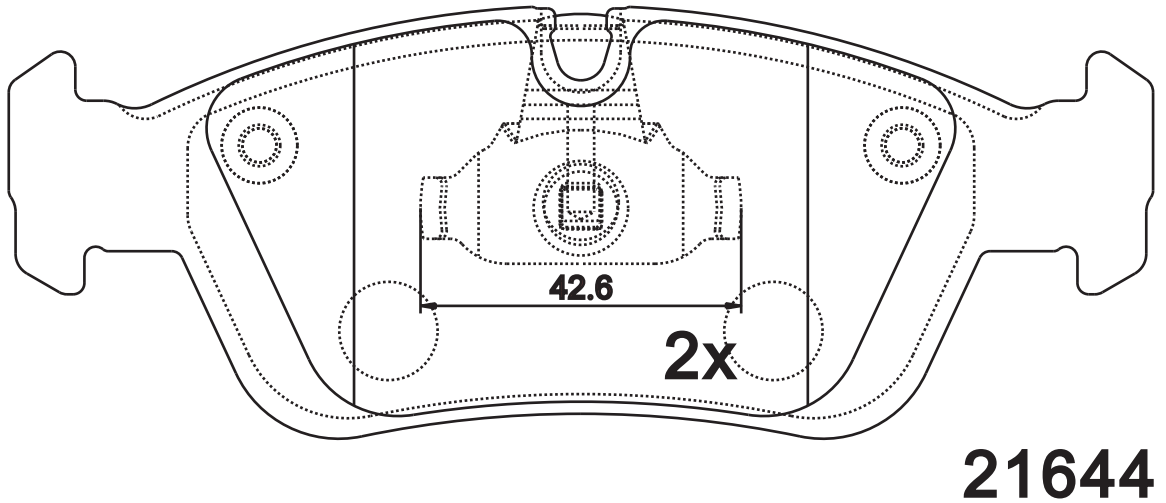
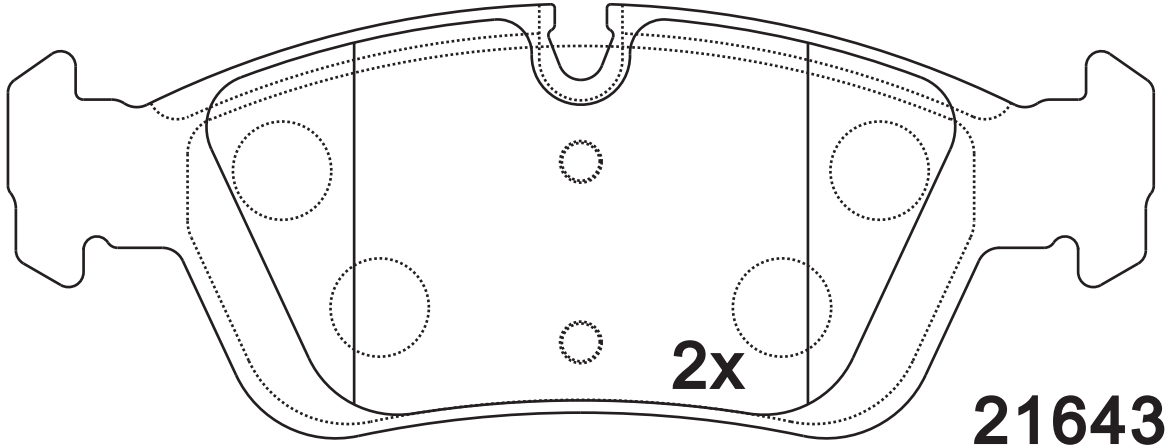
Van

09.89-

SR0094.01

Dimension (mm)	Thickness (mm)	
151.5×57.4	17.8	

NOTE
2 identical; 2 with spring;



Apply for:

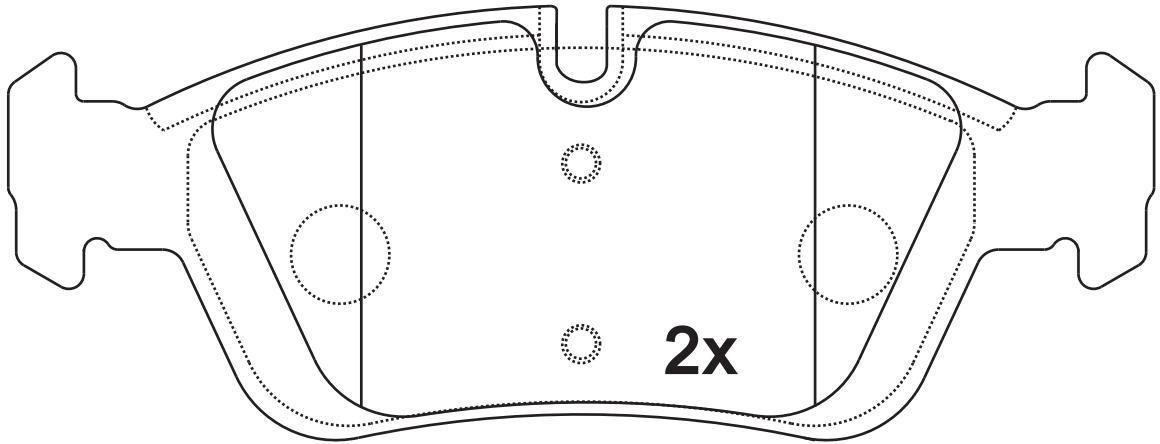
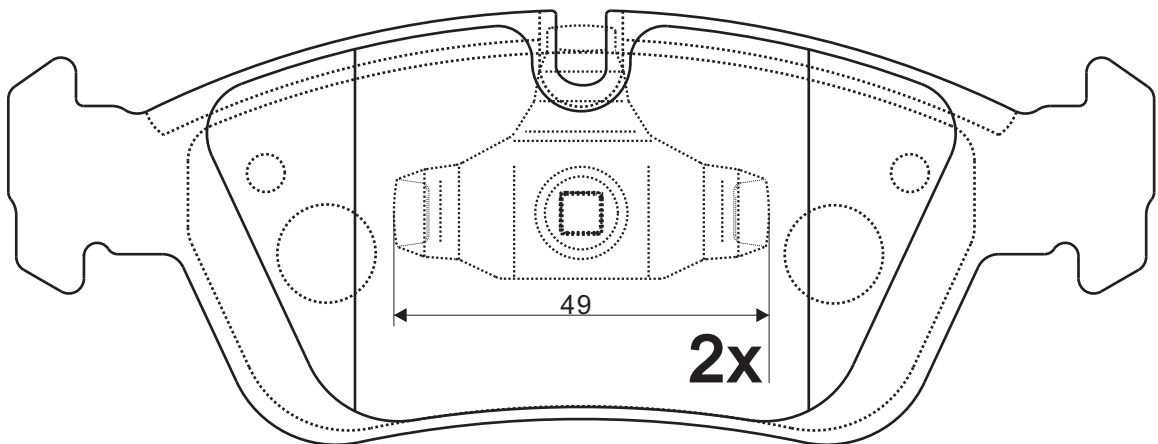
BMW 3	Saloon	02.98-02.05
BMW 3	Hatchback	06.01-02.05
BMW 3	Coupe	04.99-
BMW 3	Convertible	09.00-
BMW 3	Estate	10.99-02.05
BMW Z3	Convertible	10.95-01.03
BMW Z3	Coupe	07.97-06.03
BMW Z4	Convertible	02.03-

SR0094.02**Dimension
(mm)**

151.3×57.1

**Thickness
(mm)**

17.8

**NOTE****2 identical; 2 with spring;****21643****21644****Apply for:**

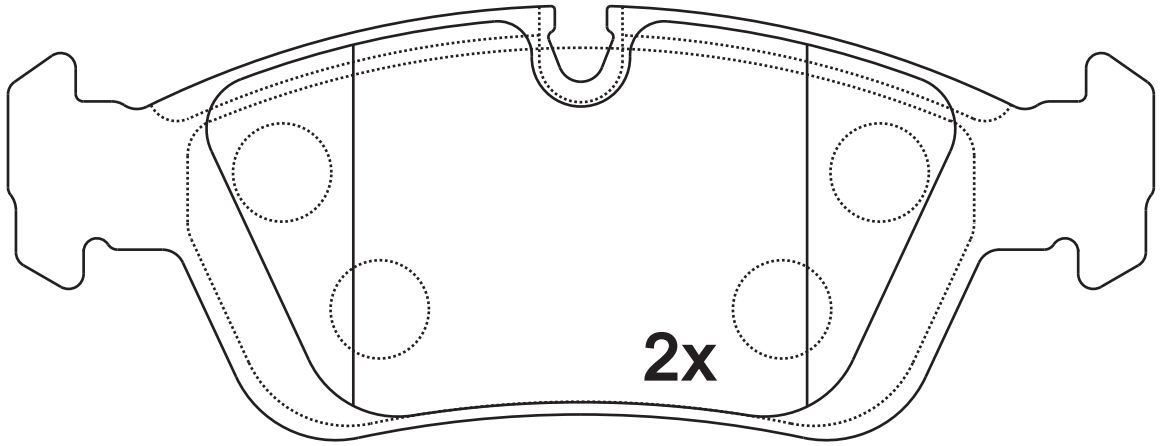
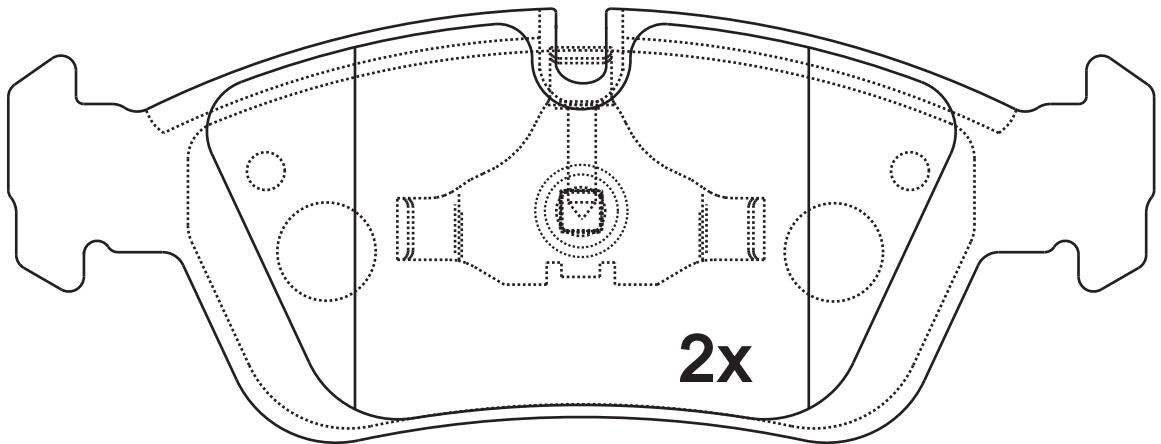
BMW 3	Saloon	02.98-02.05
BMW 3	Hatchback	06.01-02.05
BMW 3	Coupe	04.99-
BMW 3	Convertible	09.00-
BMW 3	Estate	10.99-02.05
BMW Z3	Convertible	10.95-01.03
BMW Z3	Coupe	07.97-06.03
BMW Z4	Convertible	02.03-

SR0094.03**Dimension
(mm)**

151.3×57.1

**Thickness
(mm)**

17.8

**NOTE****2 identical; 2 with spring;****21643****21644****Apply for:**

BMW 3	Saloon	02.98-02.05
BMW 3	Hatchback	06.01-02.05
BMW 3	Coupe	04.99-
BMW 3	Convertible	09.00-
BMW 3	Estate	10.99-02.05
BMW Z3	Convertible	10.95-01.03
BMW Z3	Coupe	07.97-06.03
BMW Z4	Convertible	02.03-

SR0094

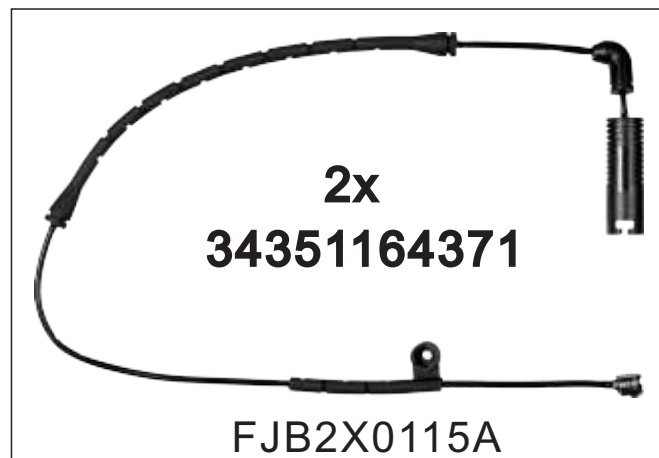
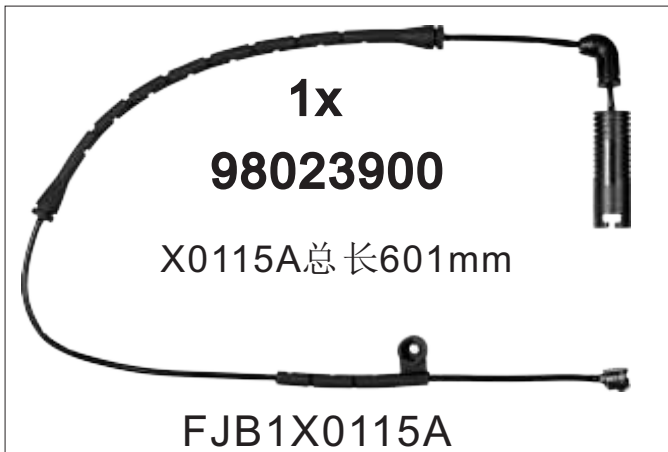
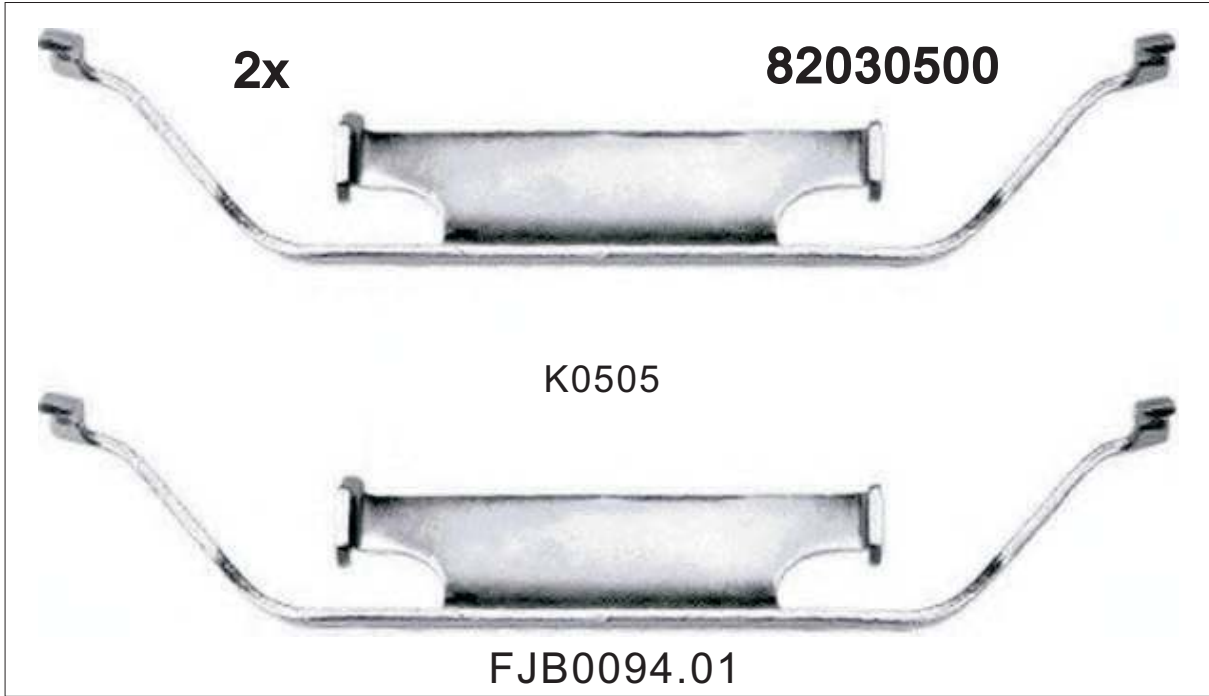
**Dimension
(mm)**

**Thickness
(mm)**



NOTE

附件包
Accessory bag



SR0095.01

**Dimension
(mm)**

153.7×63.8

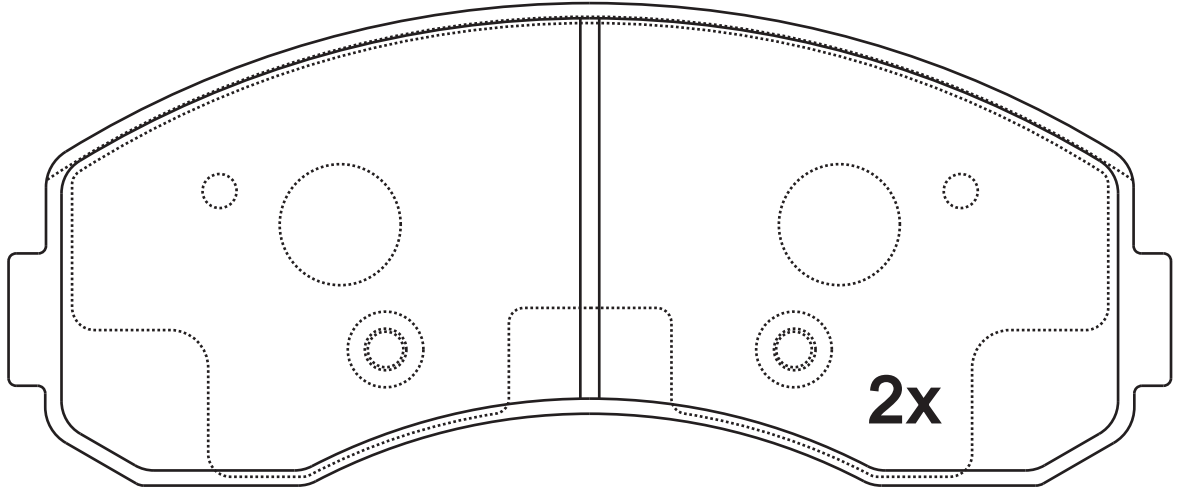
**Thickness
(mm)**

15.5

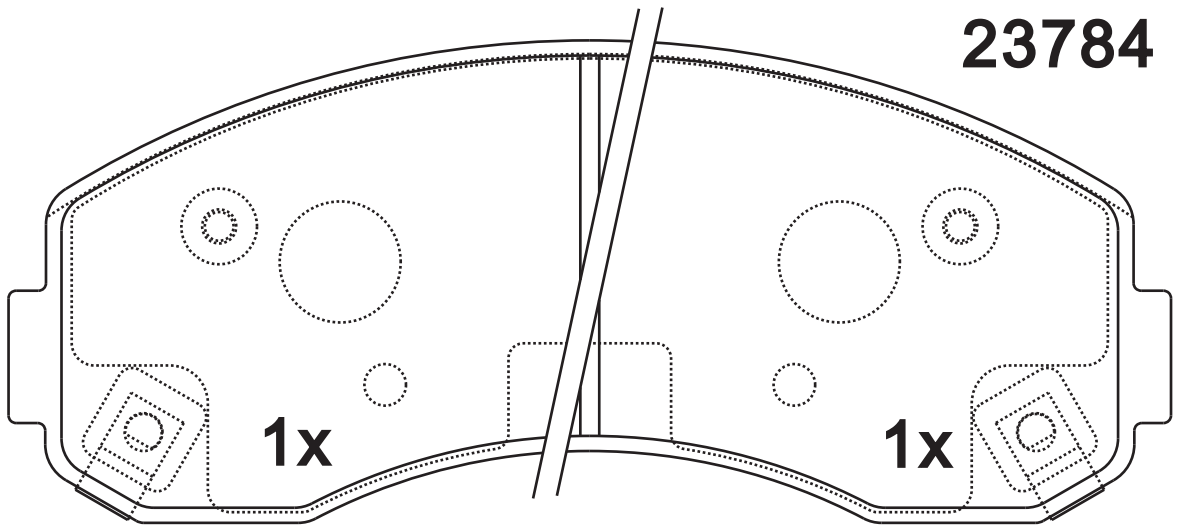


NOTE

4 identical, 1 with acoustic indicator (left), 1 with acoustic indicator (right).



23784



23785

23786

Apply for:

Kia K2500
Kia K2700

Platform
Platform

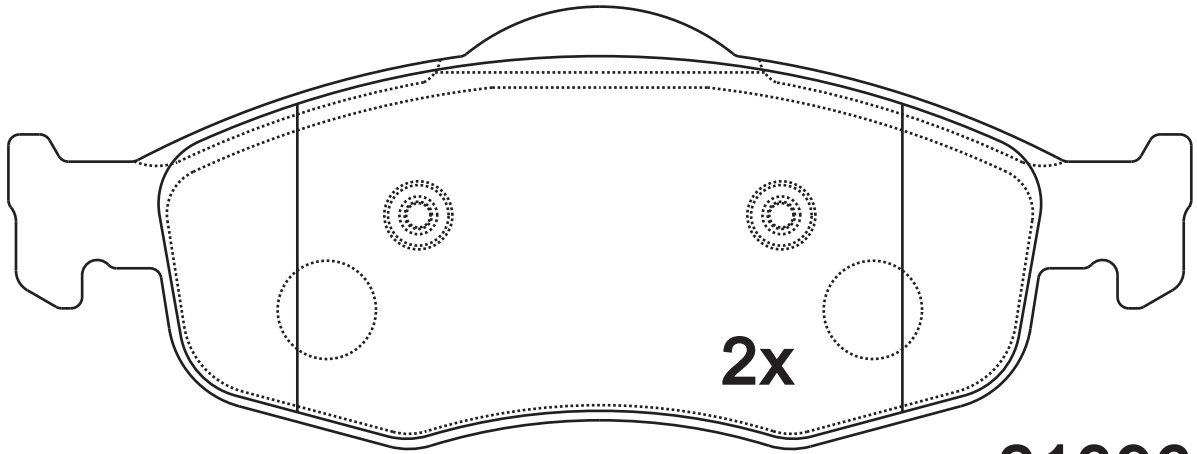
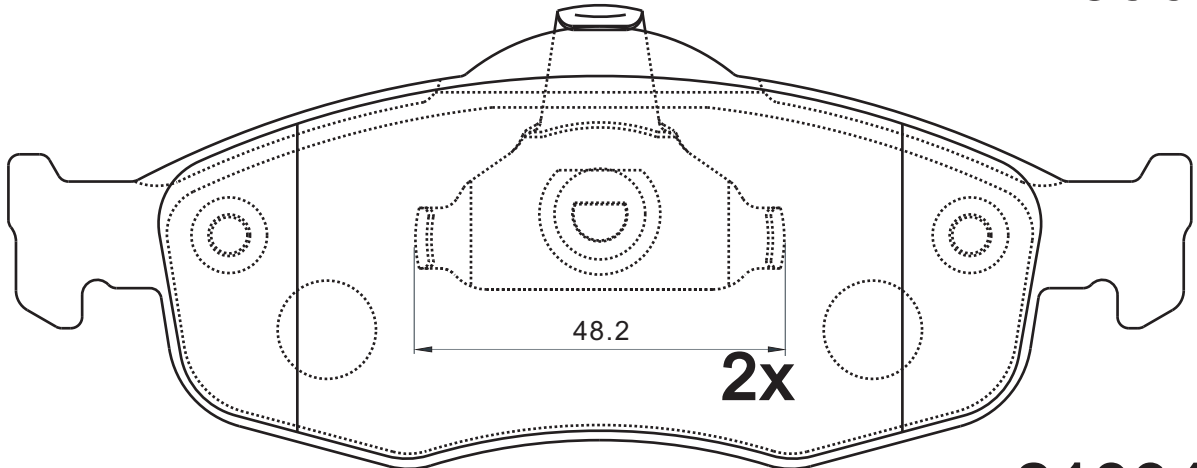
01.03-
10.99-

SR0096.01**Dimension
(mm)**

156.4×58.5

**Thickness
(mm)**

17.5

**NOTE****4 identical, 2 with spring****21396****21394****Apply for:**

Ford Cougar	Saloon	08.98-12.01
Ford Mondeo I	Saloon	02.93-08.96
Ford Mondeo I	Estate	01.93-08.96
Ford Mondeo II	Estate	09.96-11.00
Ford Mondeo II	Saloon	09.96-11.00
Ford Scorpio I	Saloon	09.86-12.94
Ford Scorpio I	Estate	05.88-09.94
Ford Scorpio II	Saloon	10.94-08.98
Ford Scorpio II	Estate	10.94-08.98

SR0096.02

**Dimension
(mm)**

156.3/155.1×58.5

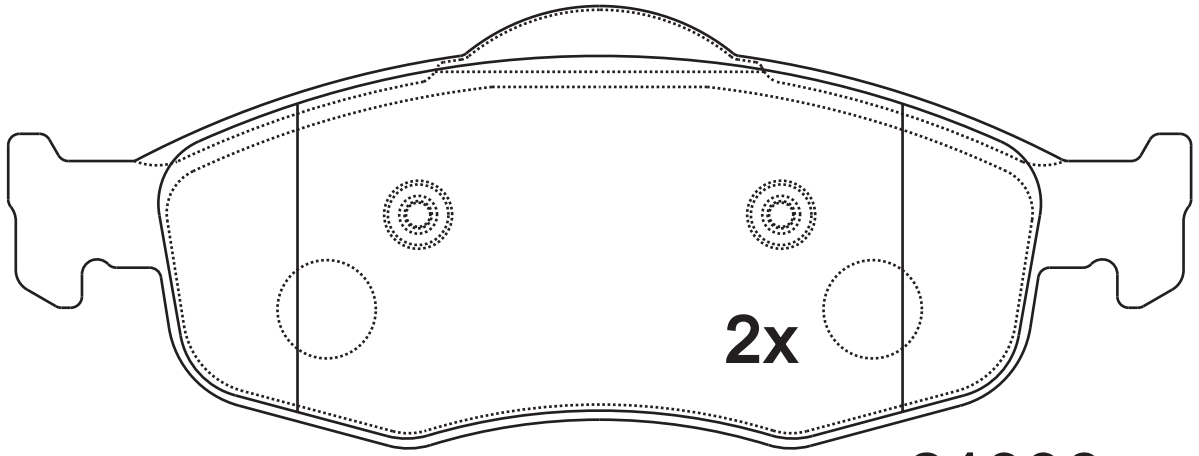
**Thickness
(mm)**

17.5

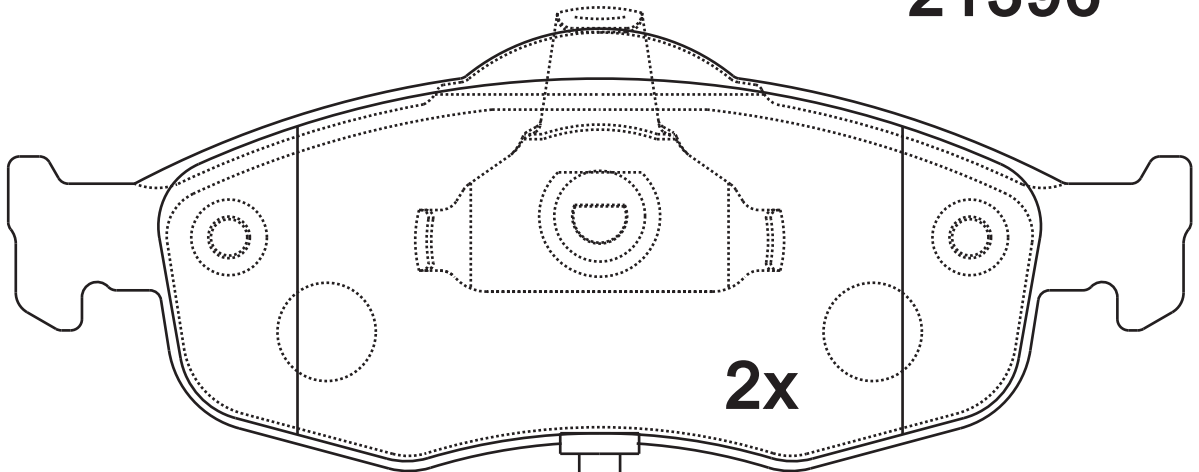


NOTE

**4 identical, 2 with spring and warn indicator:
238mm.**



21396



21638

Apply for:

Ford Contour
Mercury Cougar
Mercury Mystique

1998-2000
2000-2002
1998-2000

SR0096

**Dimension
(mm)**

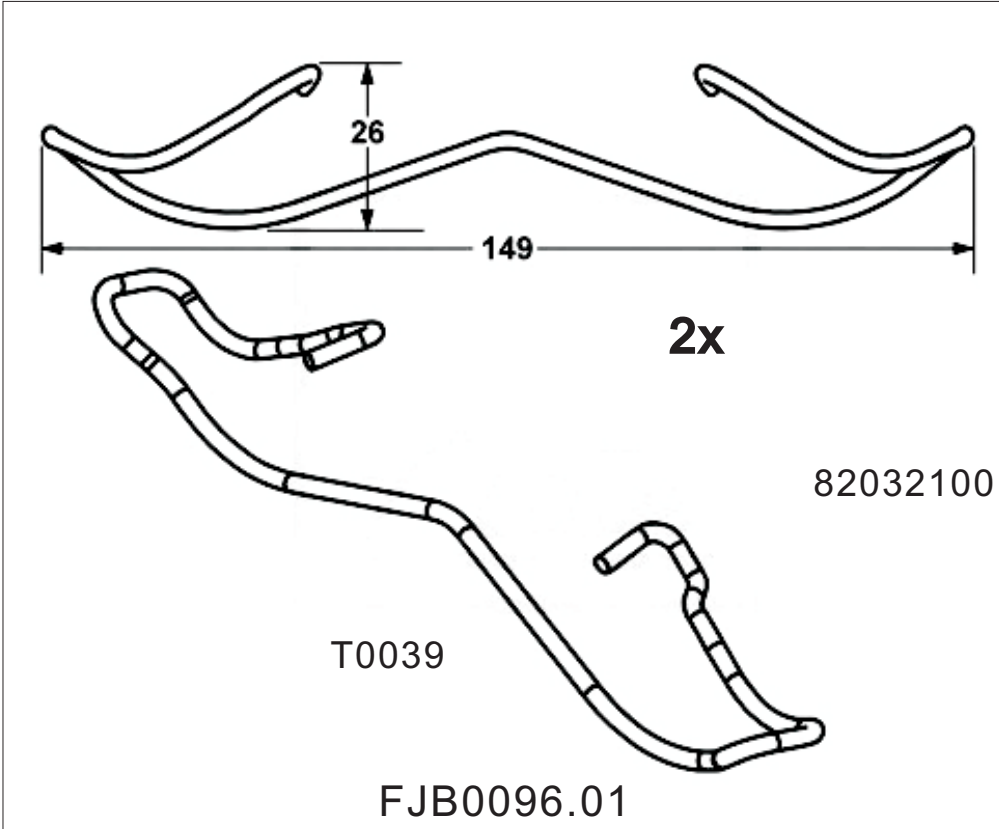
**Thickness
(mm)**



NOTE

附件包

Accessory bag



SR0097.01

**Dimension
(mm)**

156.6×63.5

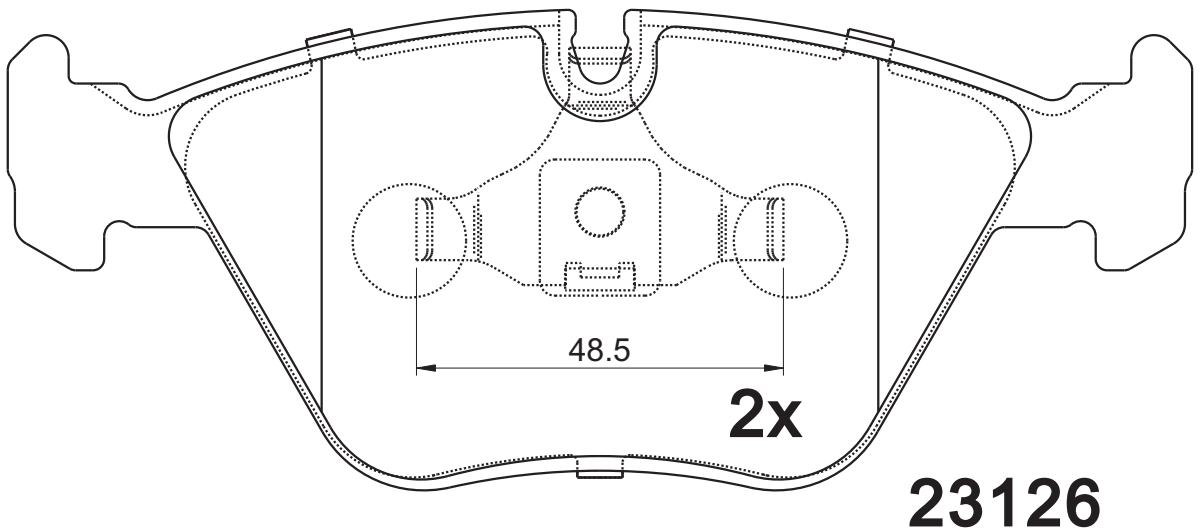
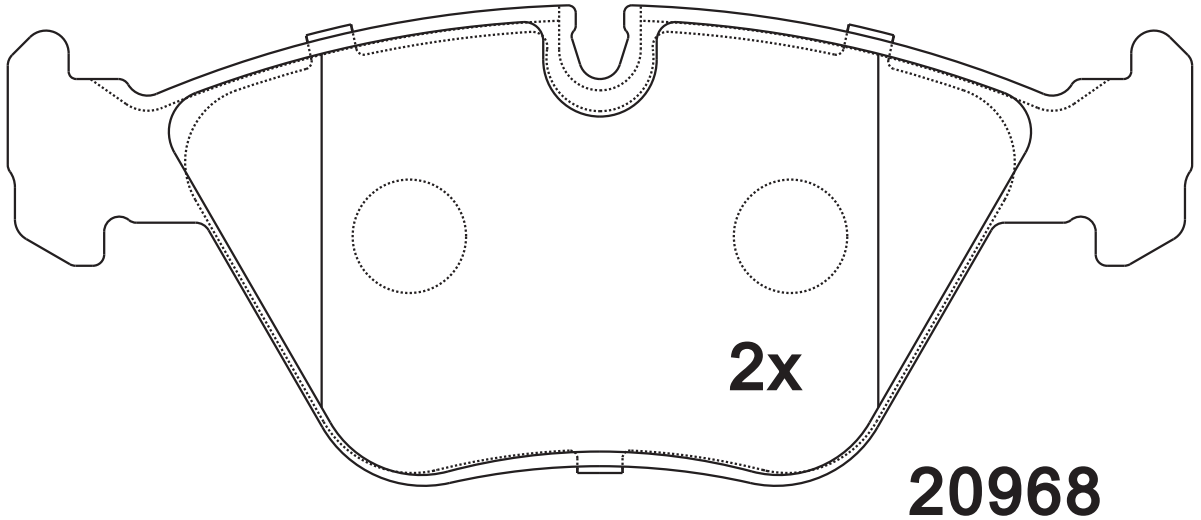
**Thickness
(mm)**

17.5



NOTE

4 identical, 2 with spring;



Apply for:

BMW 3	Coupe	06.00-
BMW 3	Convertible	04.01-
BMW 5	Saloon	01.88-08.91
BMW 7	Saloon	09.87-09.94
BMW Z3	Coupe	02.98-06.03
BMW Z3	Convertible	03.97-01.03

SR0097.02

**Dimension
(mm)**

**Thickness
(mm)**

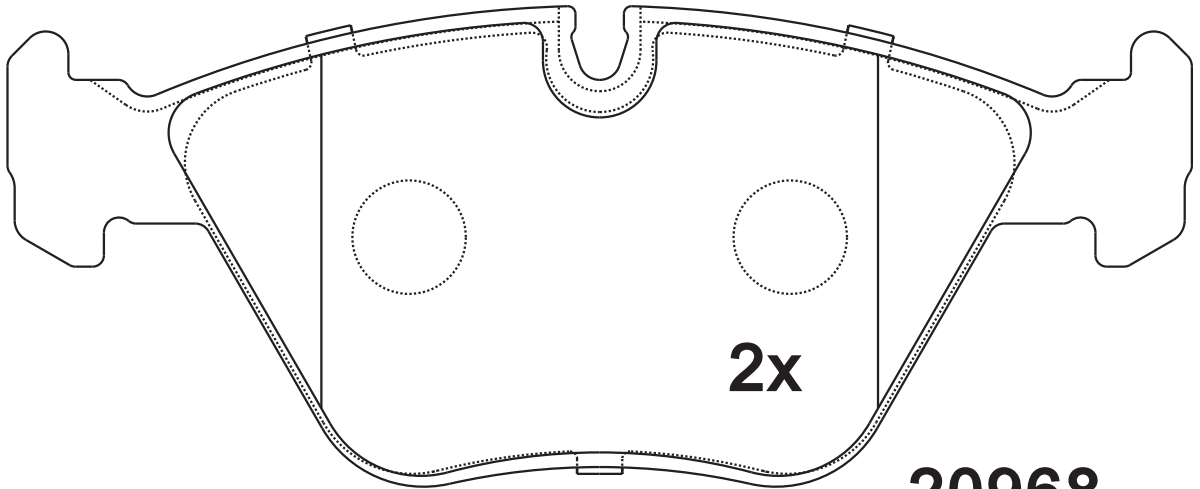


NOTE

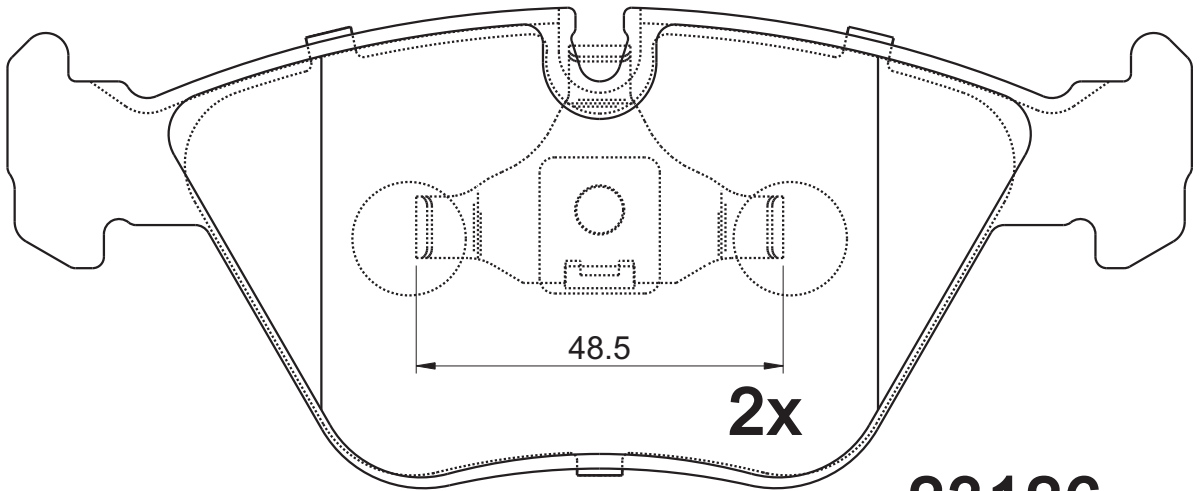
**2 identical; 2 identical
with spring;**

156.6/155.1×63.5

20.3





20968

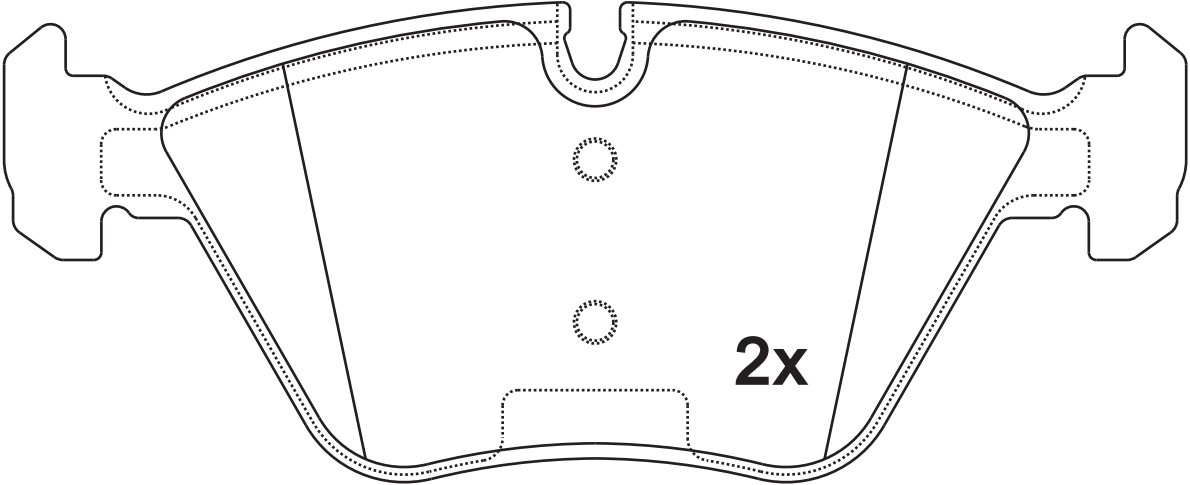


23126

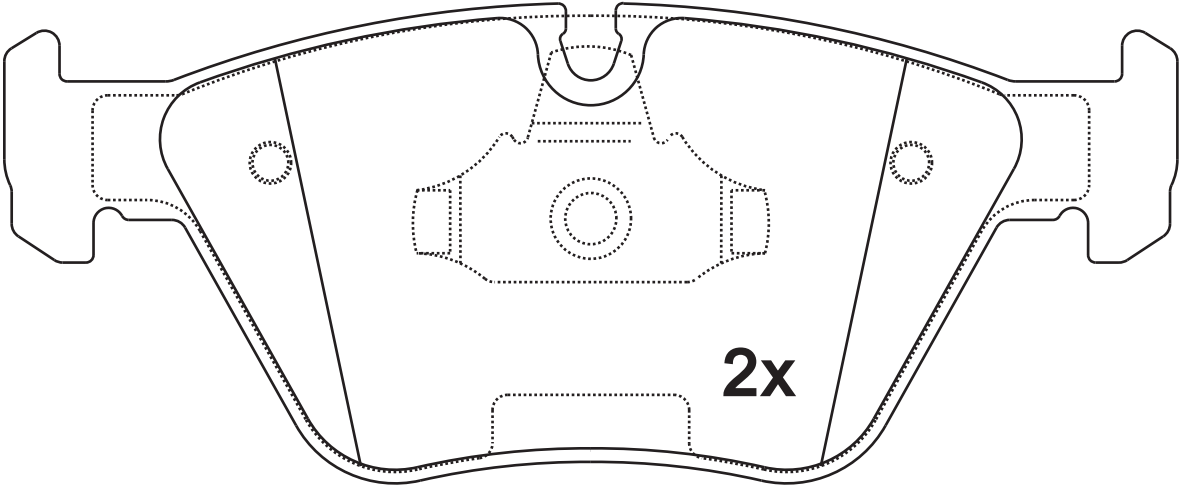
Apply for:

BMW 525iT	1993-1995
BMW 535i	1988-1993
BMW 535is	1988-
BMW 540i	1994-1995
BMW 735iL	1988-1992
BMW 740iL	1993-1994
BMW 750iL	1988-1994
BMW M3	2001-2002
BMW M5	1991-1993
BMW Z3 M	1998-2002

SR0097.03	Dimension (mm)	Thickness (mm)		NOTE 4 identical, 2 with spring;
	156.6×63.5	20.3		



20968



21064

Apply for:

BMW 3	Coupe	06.00-
BMW 3	Convertible	04.01-
BMW 5	Saloon	01.88-08.91
BMW 7	Saloon	09.87-09.94
BMW Z3	Coupe	02.98-06.03
BMW Z3	Convertible	03.97-01.03

SR0098.01

**Dimension
(mm)**

**Thickness
(mm)**

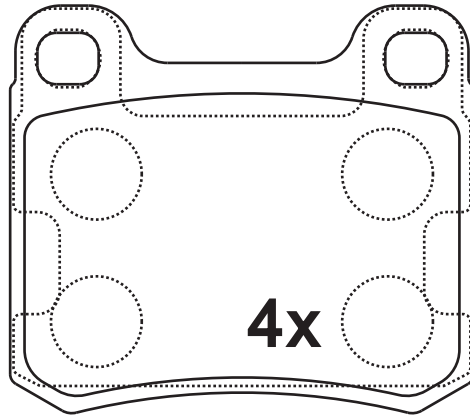


NOTE

4 identical;

61.3×53.9

15.5



20687

Apply for:

Mercedes 190	Saloon	10.82-08.93
Mercedes C-Class	Saloon	03.93-05.00
Mercedes E-Class	Saloon	06.93-06.95

SR0098.02

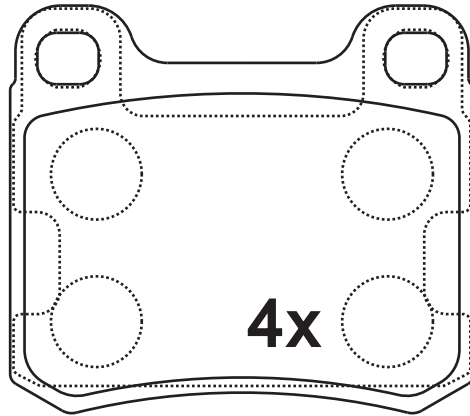
**Dimension
(mm)**

**Thickness
(mm)**



NOTE

4 identical;



20687

Apply for:

Mercedes 190	Saloon	10.82-08.93
Mercedes C-Class	Saloon	03.93-05.00
Mercedes E-Class	Saloon	06.93-06.95

SR0099.01

**Dimension
(mm)**

151.3×46.4

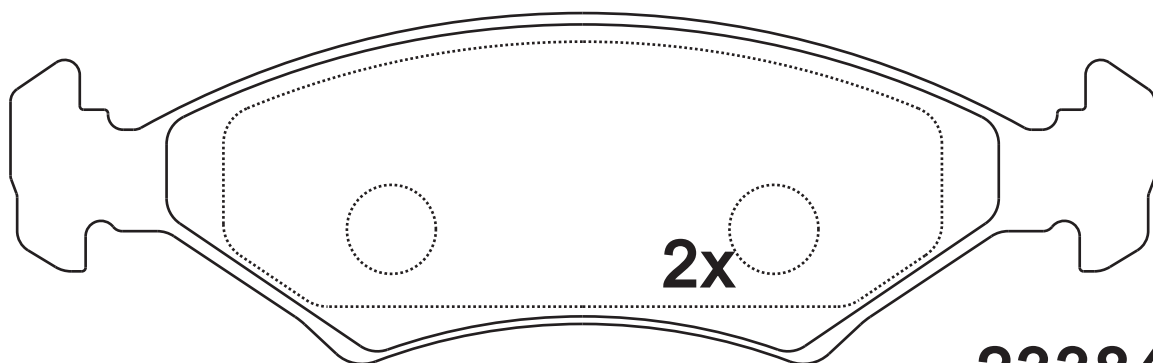
**Thickness
(mm)**

18

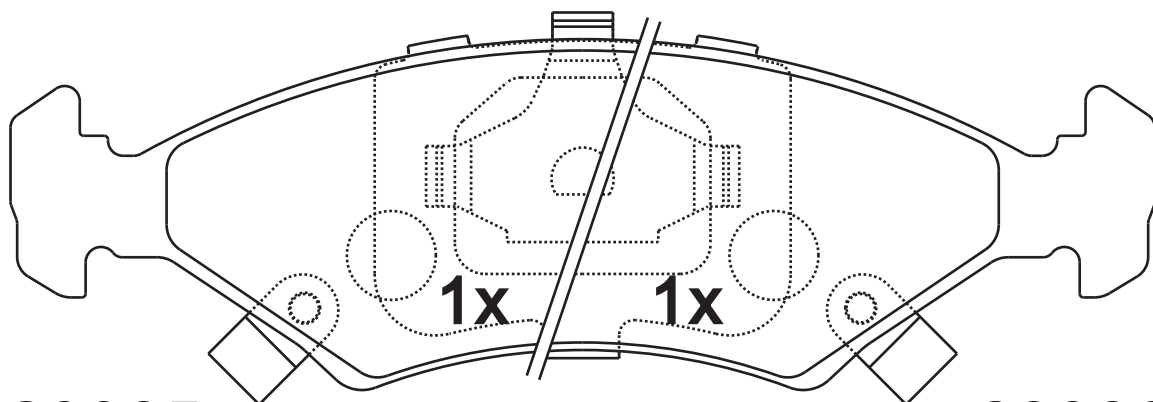


NOTE

2 identical; 2 identical with spring, 1 with acoustic indicator (left), 1 with acoustic indicator (right)



23384



23385

23386

Apply for:

Kia Shuma
Kia Shuma
Kia Sephia
Kia Sephia

Hatchback
Saloon
Hatchback
Saloon

10.97-03.01
10.97-10.01
01.95-
09.93-

SR0099.02

**Dimension
(mm)**

151.2×46.5

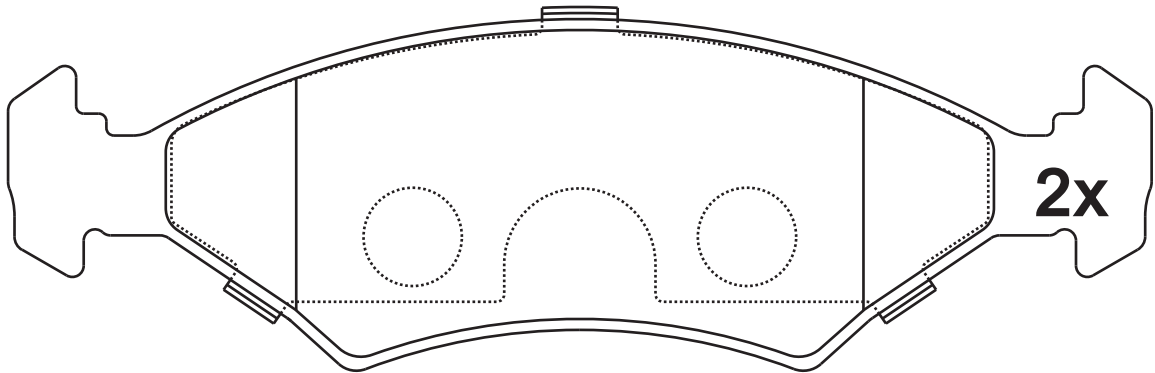
**Thickness
(mm)**

18.3

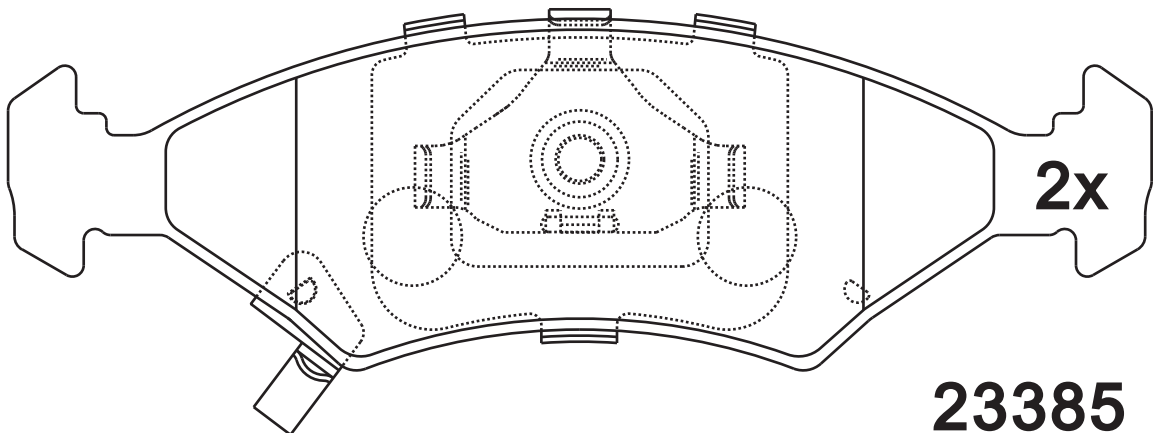


NOTE

2 identical; 2 identical
with spring with acoustic
indicator (left).



23384



23385

Apply for:

Kia Sephia
Kia Sephia

1996-
2000-

SR0100.01

**Dimension
(mm)**

193×70

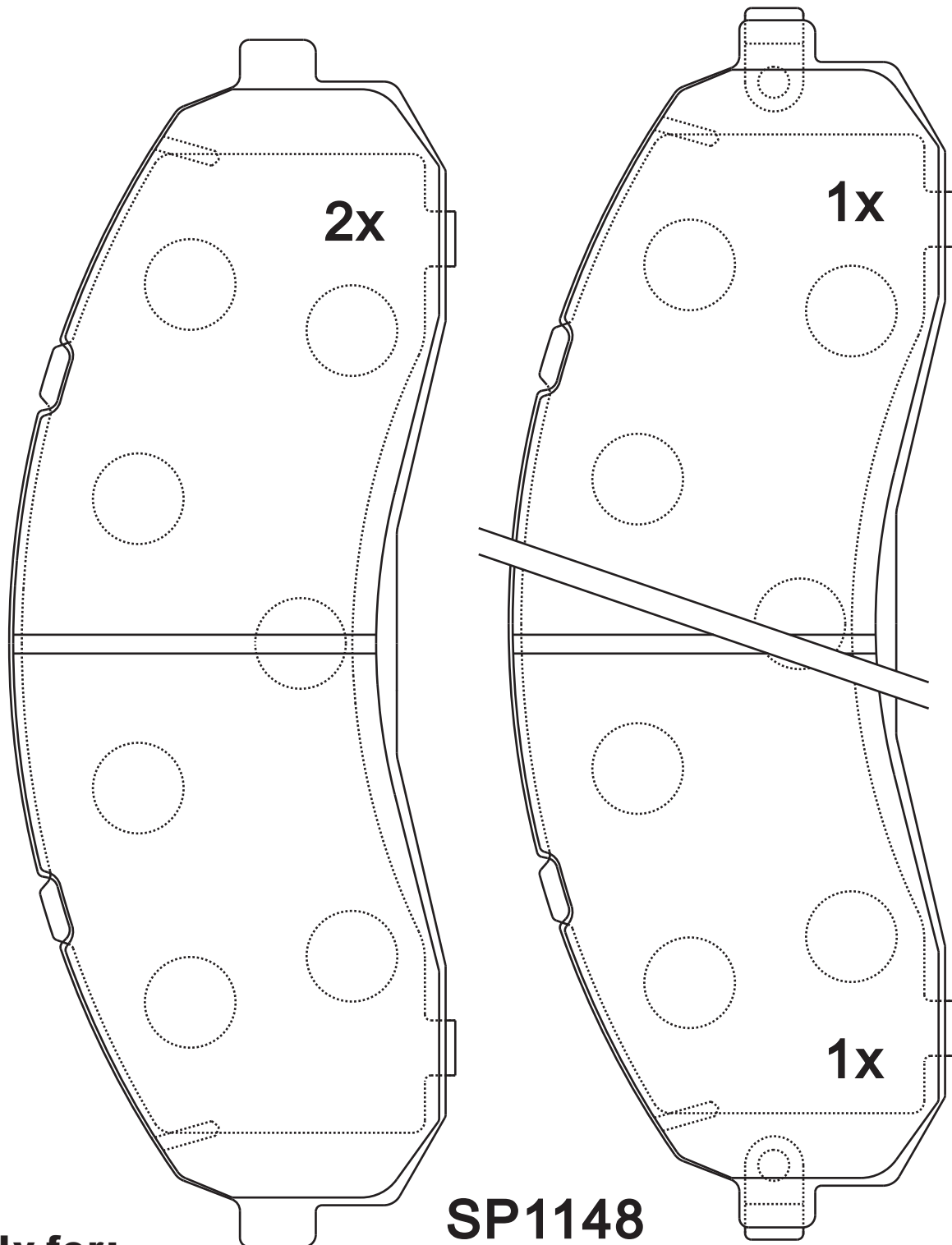
**Thickness
(mm)**

17.4



NOTE

4 identical, 1 with
acoustic indicator (left),
1 with acoustic indicator
(right).



SP1148

Apply for:

Kia Pamax Bus 00--

SR0101.01

**Dimension
(mm)**

129.9×55.3

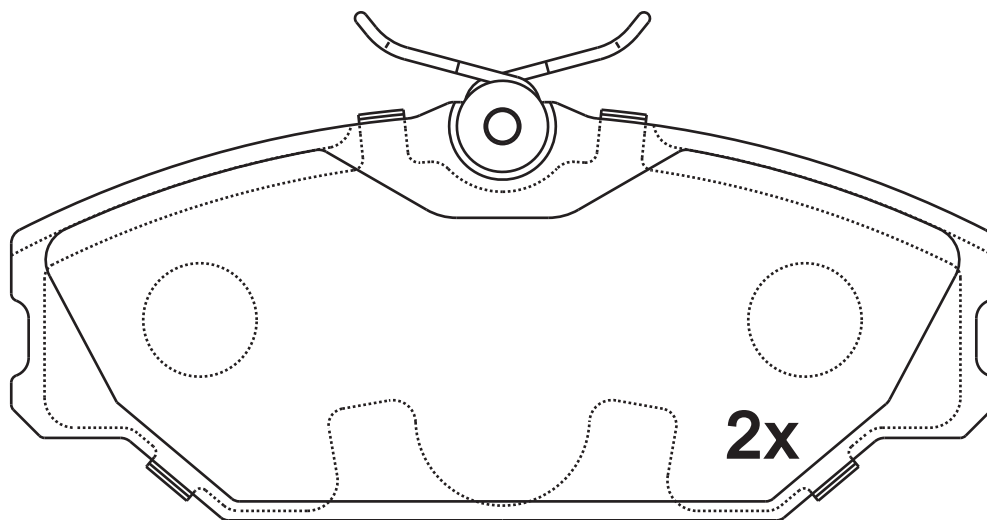
**Thickness
(mm)**

18

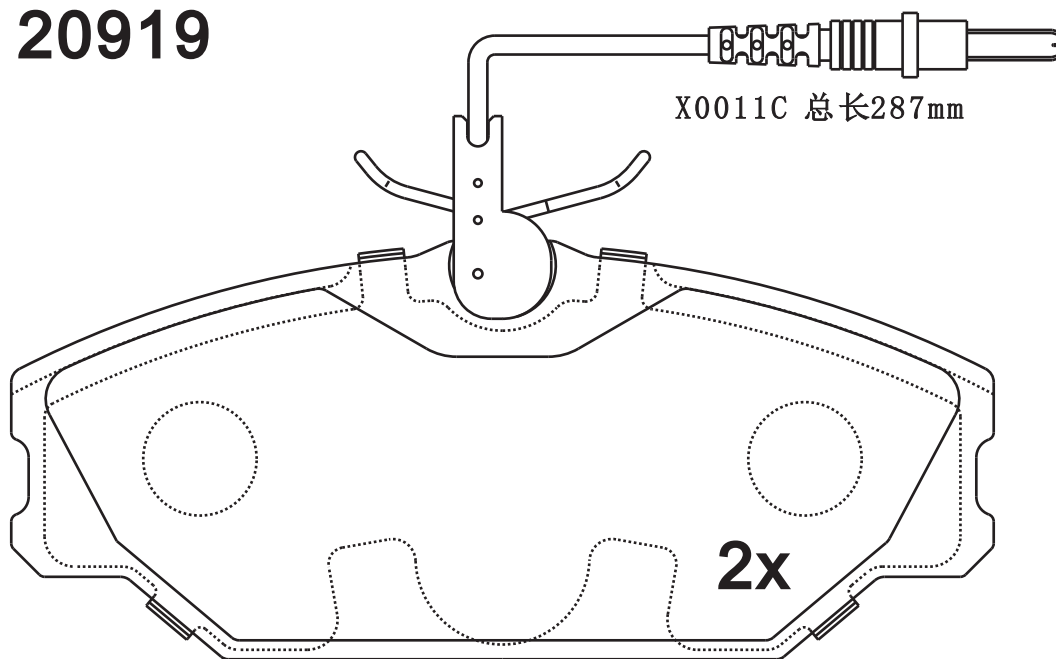


NOTE

4 identical, 2 with warn
indicator: 287mm



20919





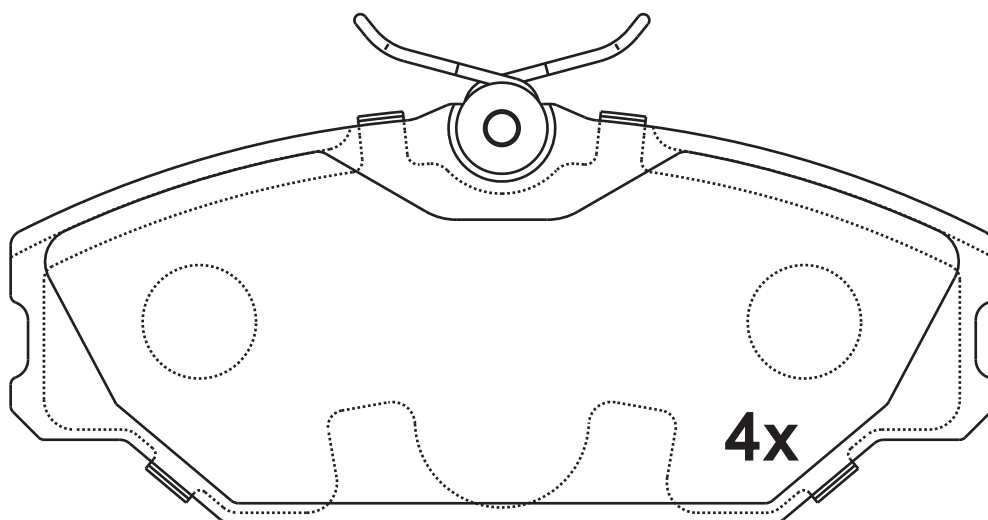
21388

Apply for:

Renault Laguna I	Hatchback	11.93-03.01
Renault Megane I	Hatchback	07.96-08.03
Renault Megane I	Convertible	10.96-11.99
Renault Megane Scenic	MPV	10.96-10.99
Renault 25	Hatchback	04.84-12.92
Renault Espace II	MPV	01.91-10.96
Renault Safrane I	Hatchback	04.92-07.96
Renault Safrane II	Hatchback	07.96-12.00

SR0101.02

Dimension (mm)	Thickness (mm)		NOTE
129.9×55.3	18		4 identical





23172

Apply for:

Renault Megane 2.0 (Latin America)

1999-2002

SR0101.03

Dimension (mm)	Thickness (mm)		NOTE 4 identical, 2 with warn indicator: 287mm
129.9×55.3	18		



取消 原SR0101.03=SR0101.02+FJB0025.01

Apply for:

Renault Megane 2.0 (Latin America)

1999-2002

SR0101

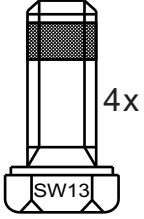
**Dimension
(mm)**

**Thickness
(mm)**

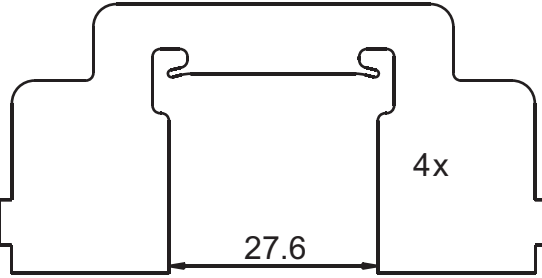


NOTE

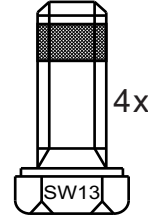
附件包
Accessory kit



M8×21
L0010
FJB0025.01



K0404



M8×21
L0010

FJB0101.02

SR0102.01**Dimension
(mm)**

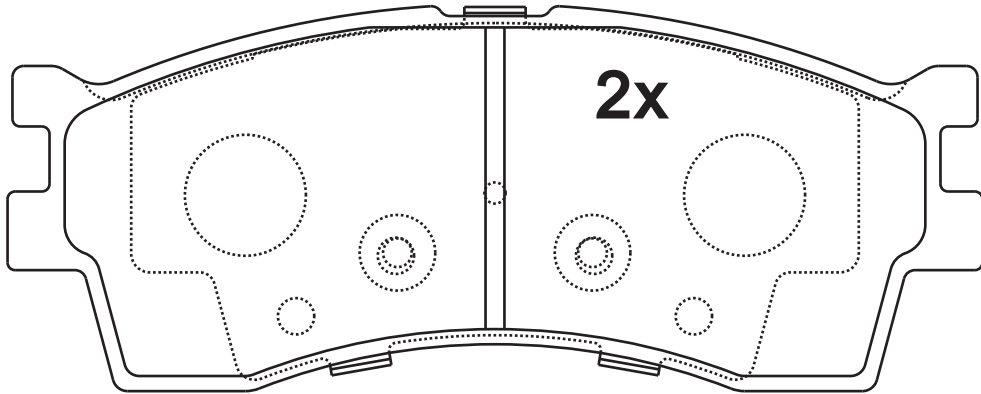
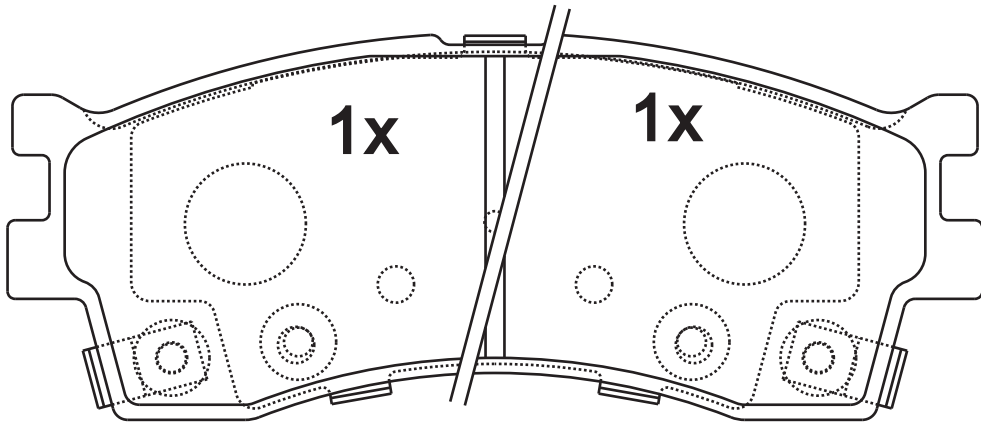
128.9×50.9

**Thickness
(mm)**

16

**NOTE**

4 identical, 1 with
acoustic indicator (left),
1 with acoustic indicator
(right).

**23873****23874****23875****Apply for:**

Kia Carens I	MPV	11.00-07.02
Kia Carens	Saloon	07.96-
Kia Carens	Estate	05.98-
Kia Rio	Saloon	09.00-02.05
Kia Rio	Estate	08.00-02.05
Kia Shuma II	Hatchback	04.03-08.04
Kia Shuma II	Saloon	05.01-05.04

SR0103.01**Dimension
(mm)**

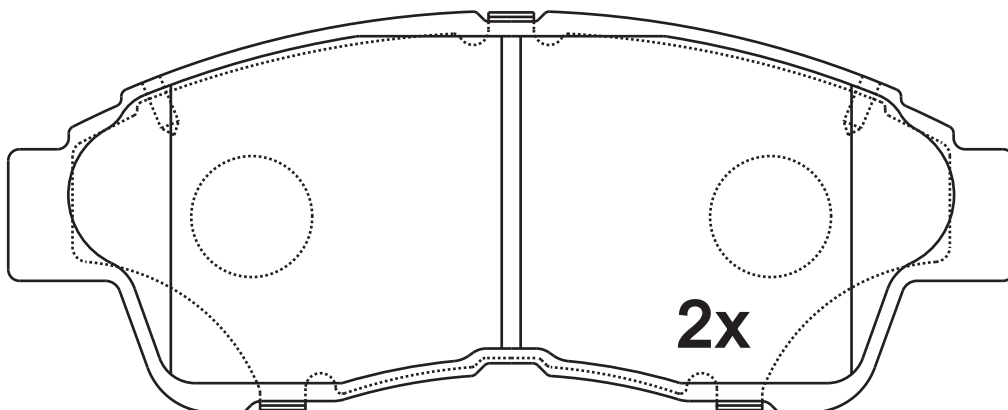
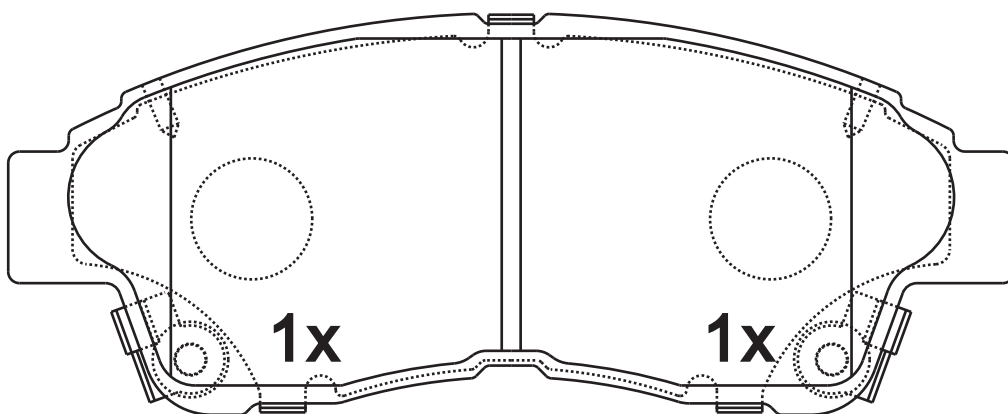
133×53

**Thickness
(mm)**

17.5

**NOTE**

4 identical, 1 with
acoustic indicator (left),
1 with acoustic indicator
(right).

**21601****21602****21603****Apply for:**

Toyota Corolla	Estate	10.97-10.01
Toyota Camry	Saloon	06.91-08.96
Toyota Camry	Estate	03.92-07.96
Toyota Carina E	Hatchback	04.92-09.97
Toyota Carina E	Estate	01.93-09.97
Toyota Celica	Coupe	11.93-11.99
Toyota Picnic	MPV	05.96-12.01
Toyota RAV 4I	Closed off-Road	06.94-06.00

SR0103

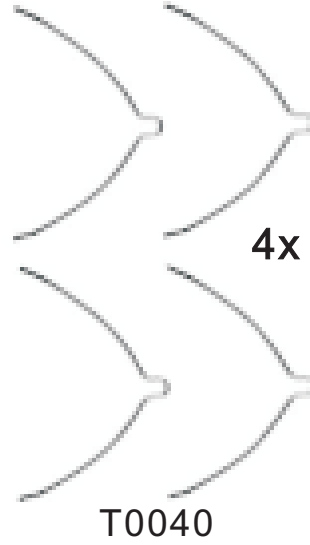
**Dimension
(mm)**

**Thickness
(mm)**



NOTE

附件包
Accessory bag



FJB0103.01

SR0104.01

**Dimension
(mm)**

**Thickness
(mm)**

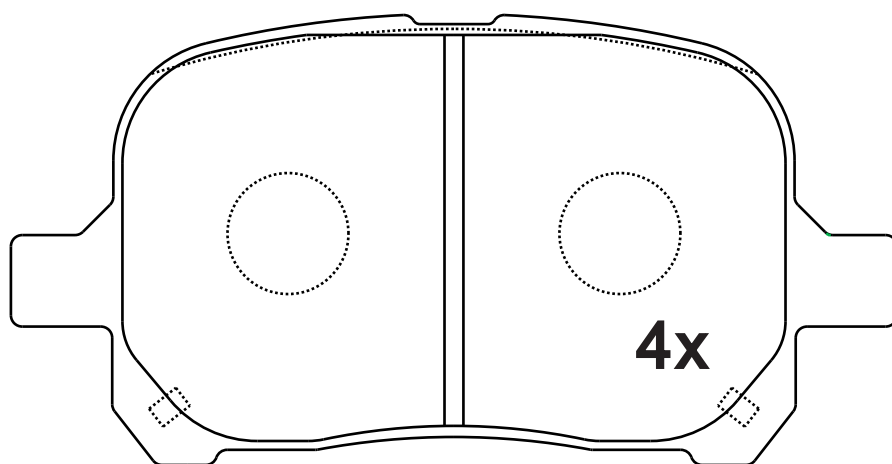


NOTE

4 identical;

116.7×59.5

17



23513

Apply for:

Toyota Camry
Toyota Camry
Toyota Camry
Toyota Previa

Saloon
Coupe
Convertible
MPV

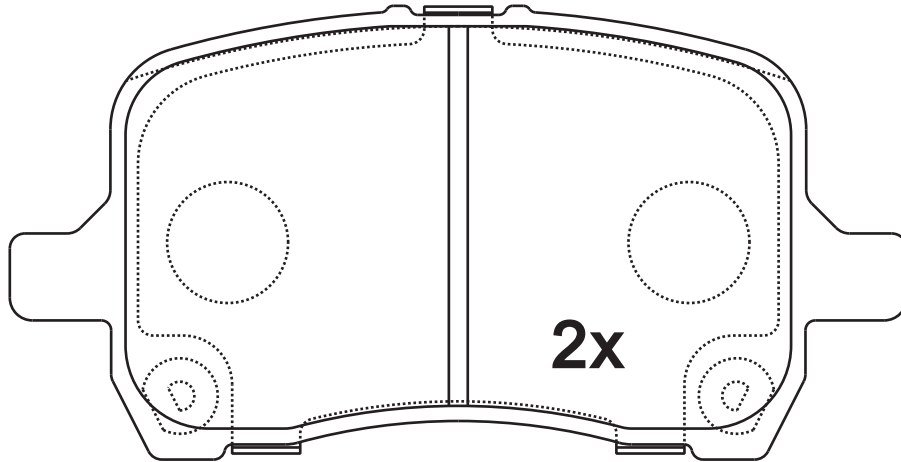
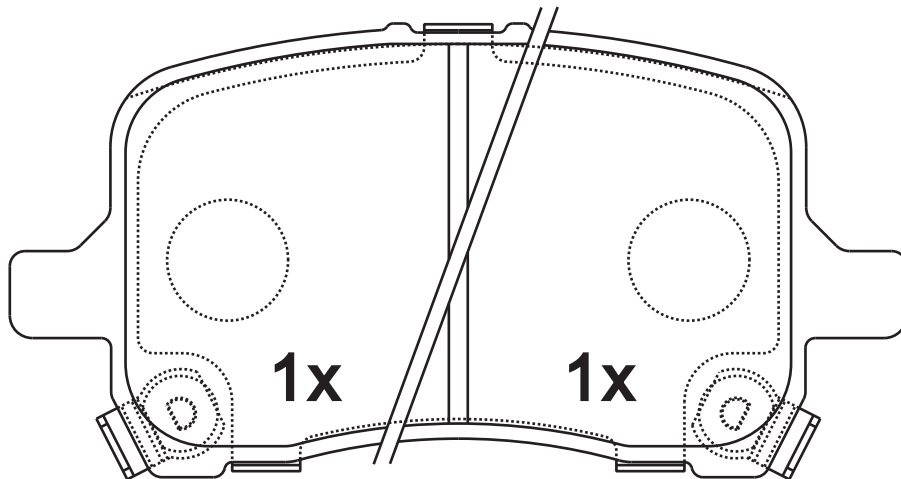
08.96-11.01
07.03-07.08
08.96-11.01
08.00-01.06

SR0104.02**Dimension
(mm)**

118.6×60

**Thickness
(mm)**

19

**NOTE****4 identical;****GDB1755****Apply for:**Toyota Camry
Toyota Camry
Toyota Camry
Toyota Previa

Saloon

Coupe

Convertible

MPV

08.96-11.01

07.03-07.08

08.96-11.01

08.00-01.06

SR0105.01

**Dimension
(mm)**

**Thickness
(mm)**

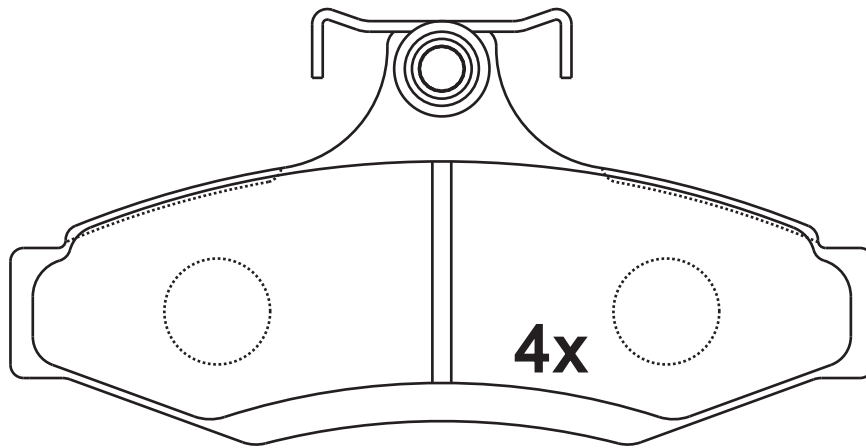


NOTE

4 identical;

114×55.1

14.5



23237

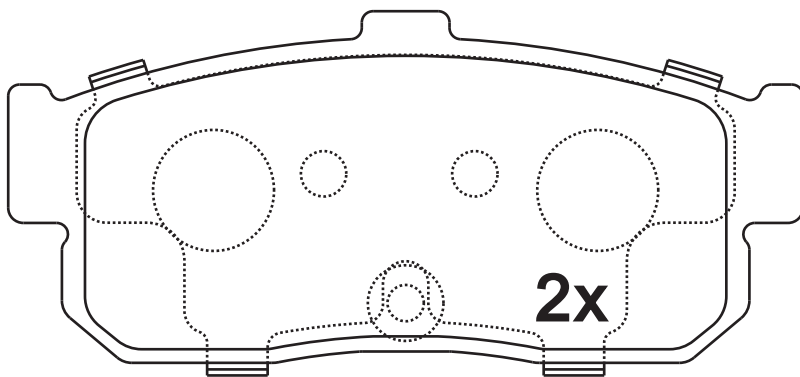
Apply for:

Daewoo Nubira	Hatchback	05/97-
Daewoo Nubira	Saloon	05/97-
Daewoo Leganza	Saloon	06/97-
Chevrolet Nubira	Estate	03.05-
Chevrolet Nubira	Saloon	03.05-

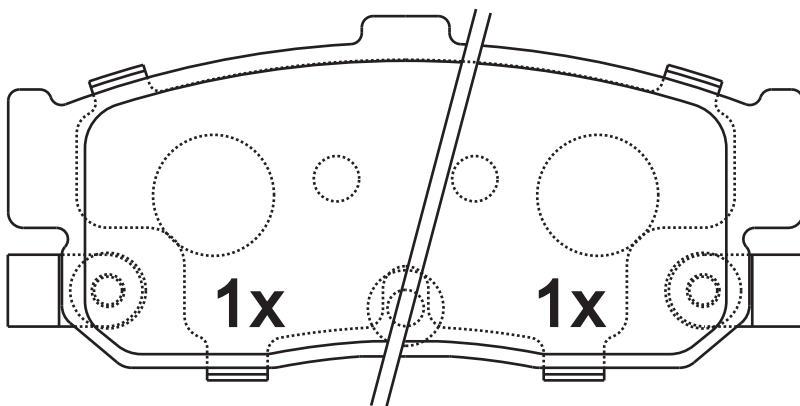
SR0106.01

Dimension (mm)	Thickness (mm)	
105.1×46.5	16	

NOTE
2 identical; 2 identical, 1 with acoustic indicator (right), 1 with acoustic indicator (left)



21713



21714

21715

Apply for:

Nissan Almera II	Hatchback	01.00-
Nissan Almera II	Saloon	07.00-
Nissan Almera I	Hatchback	09.95-03.00
Nissan 100 NX	Coupe	03.91-10.94
Nissan Primera Traveller	Estate	07.90-03.98
Nissan Sunny III	Hatchback	10.90-05.95
Nissan Sunny III	Saloon	08.90-12.96

SR0106.02

**Dimension
(mm)**

**Thickness
(mm)**

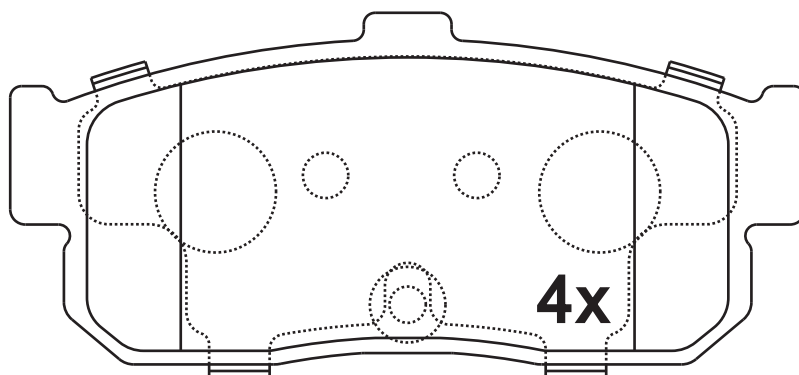


NOTE

4 identical;

105.1×46.5

16





21713

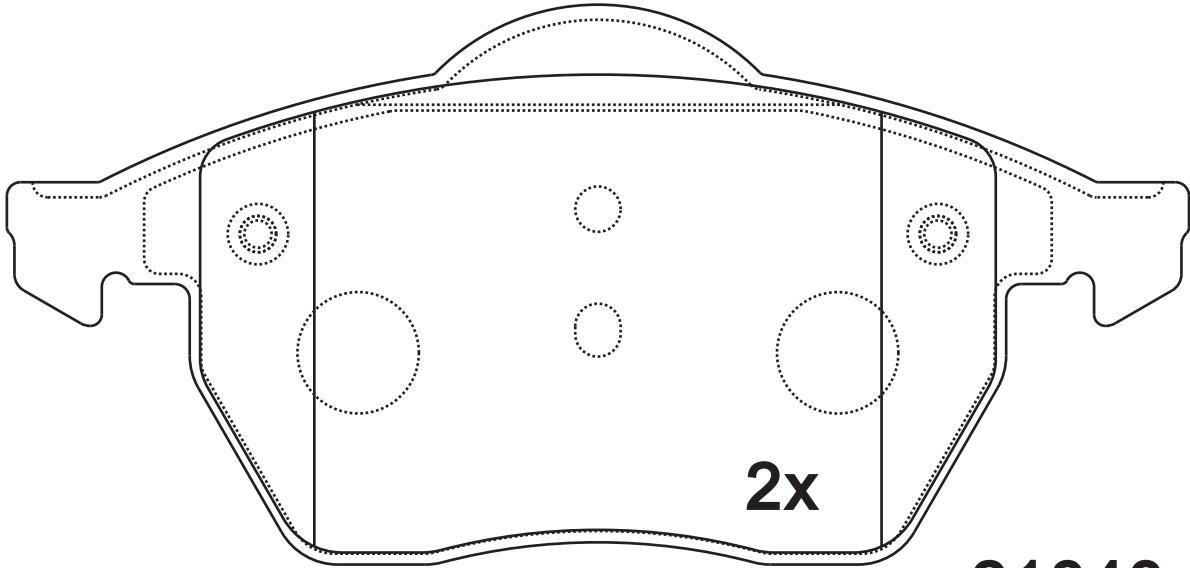
Apply for:

Nissan Almera II	Hatchback	01.00-
Nissan Almera II	Saloon	07.00-
Nissan Almera I	Hatchback	09.95-03.00
Nissan 100 NX	Coupe	03.91-10.94
Nissan Primera Traveller	Estate	07.90-03.98
Nissan Sunny III	Hatchback	10.90-05.95
Nissan Sunny III	Saloon	08.90-12.96

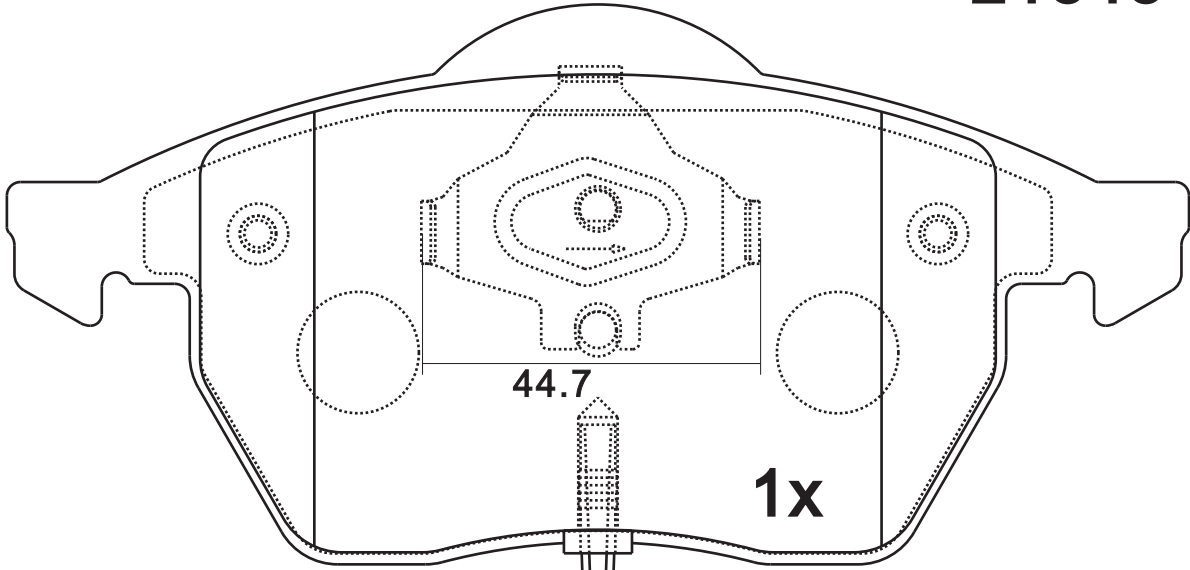
SR0107.01

Dimension (mm)	Thickness (mm)	
156.3×74	20.3	

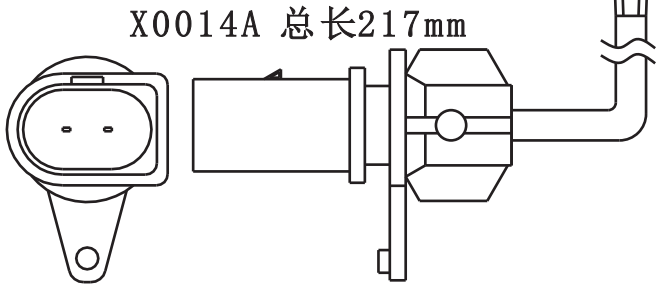
NOTE
2 identical; 2 identical with spring and warn indicator.



21848



23324



.....Next

SR0107.01

**Dimension
(mm)**

156.3×74

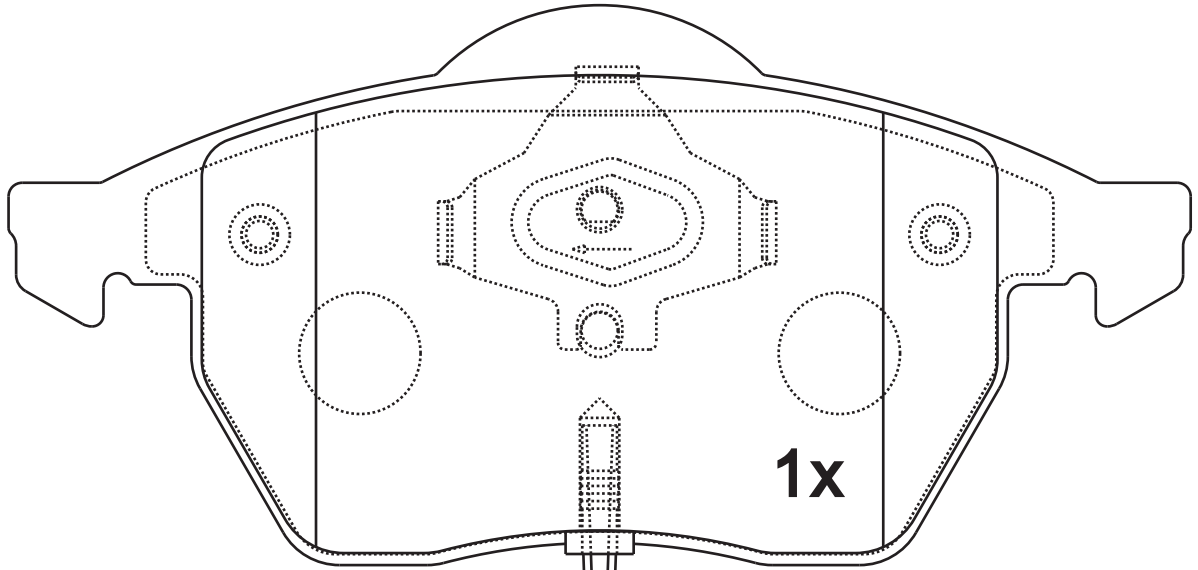
**Thickness
(mm)**

20.3

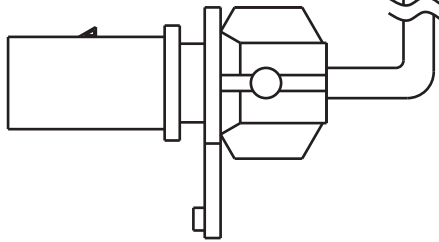
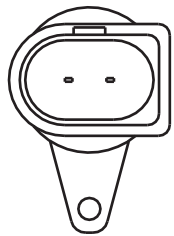


NOTE

**2 identical; 2 identical
with spring and warn
indicator.**



X0014A 总长217mm



23324

Apply for:

Audi A4	Convertible	07.02-03.09
Audi A4	Saloon	11.04-06.08
Audi A4	Estate	11.04-06.08
Audi A6	Saloon	02.00-03.11
Audi A6	Estate	03.05-08.11
Volkswagan Passat	Saloon	08.96-11.00
Volkswagan Passat	Estate	06.97-11.00

SR0107.02

**Dimension
(mm)**

156.3×74

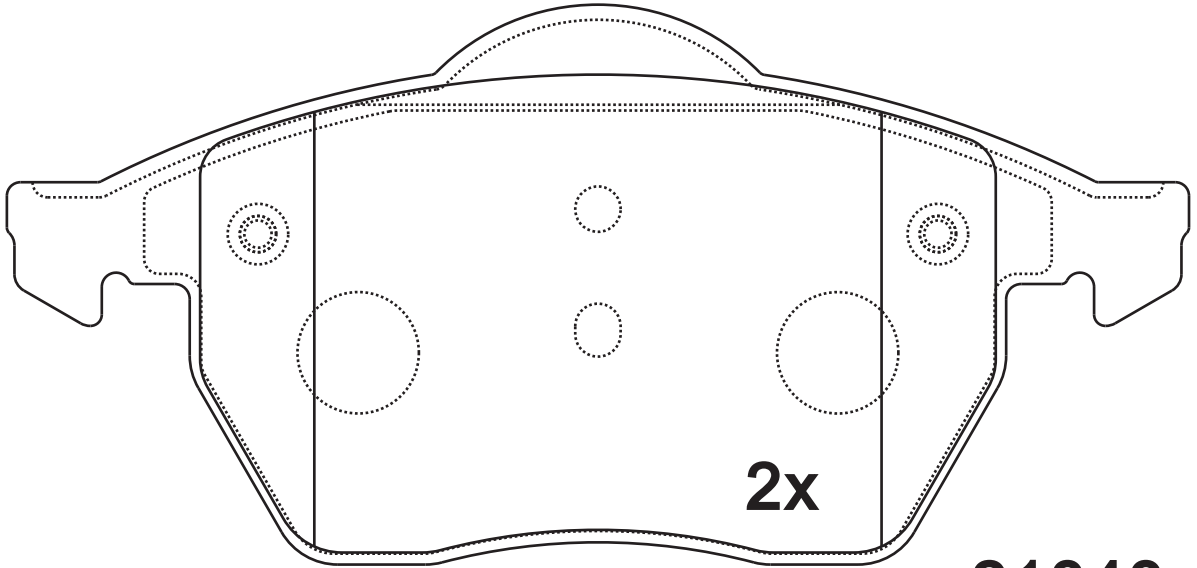
**Thickness
(mm)**

20.3

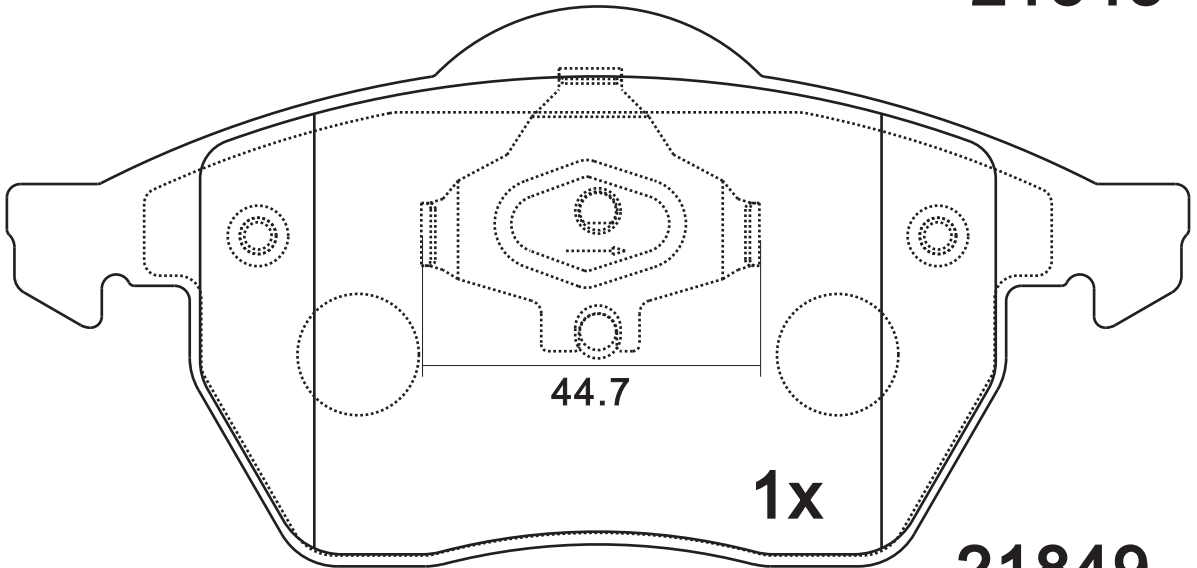


NOTE

**2 identical; 2 identical
with spring.**



21848



21849

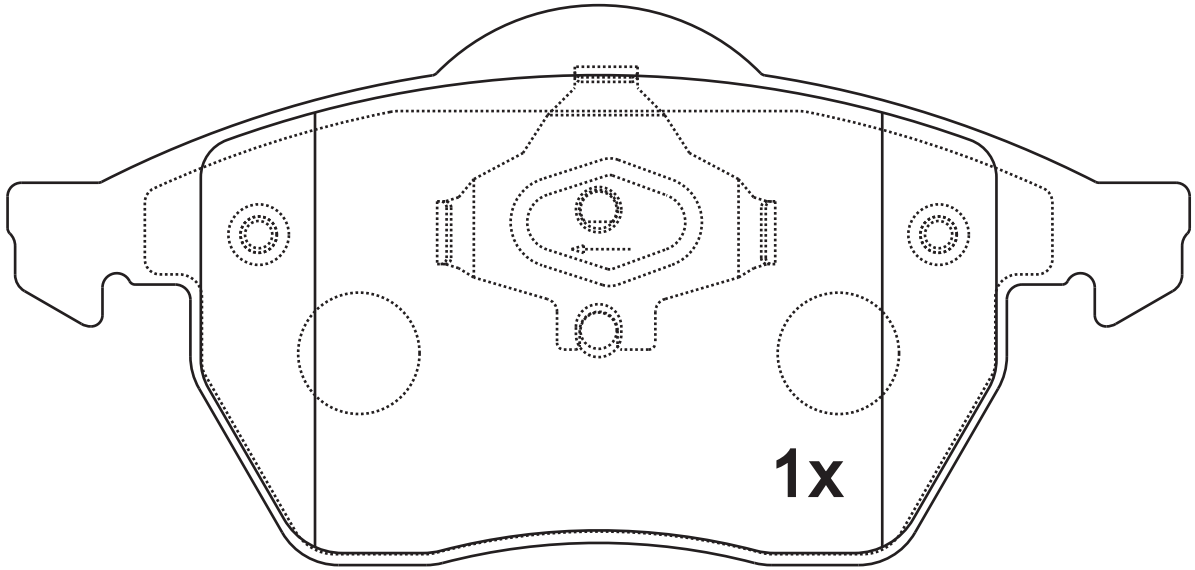
... ..Next

SR0107.02**Dimension
(mm)**

156.3×74

**Thickness
(mm)**

20.3

**NOTE****2 identical; 2 identical
with spring.****21849****Apply for:**

Audi A4	Convertible	07.02-03.09
Audi A4	Saloon	11.04-06.08
Audi A4	Estate	11.04-06.08
Audi A6	Saloon	02.00-03.11
Audi A6	Estate	03.05-08.11
Volkswagan Passat	Saloon	08.96-11.00
Volkswagan Passat	Estate	06.97-11.00

版次: A/3

SR0107.03

**Dimension
(mm)**

156.3×74

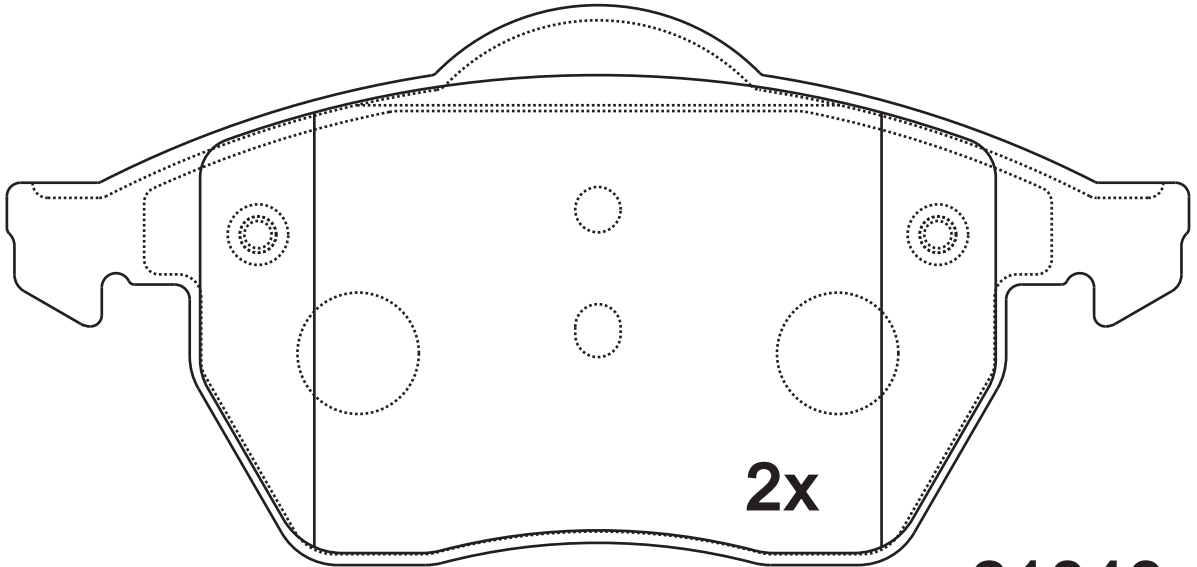
**Thickness
(mm)**

20.3

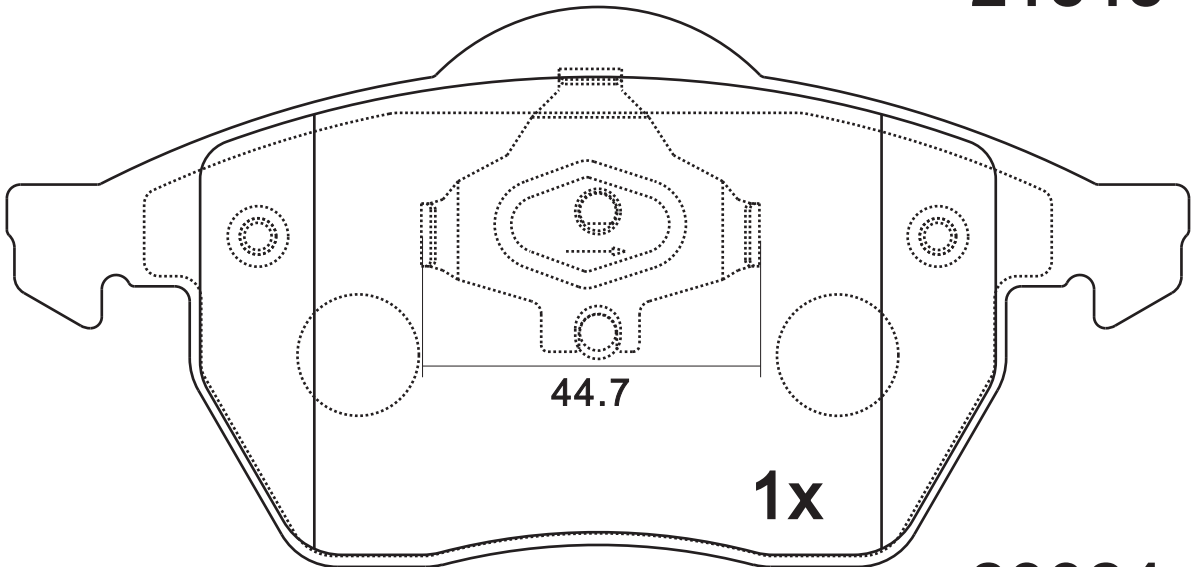


NOTE

**2 identical; 2 identical
with spring, 1 with warn
indicator.**



21848



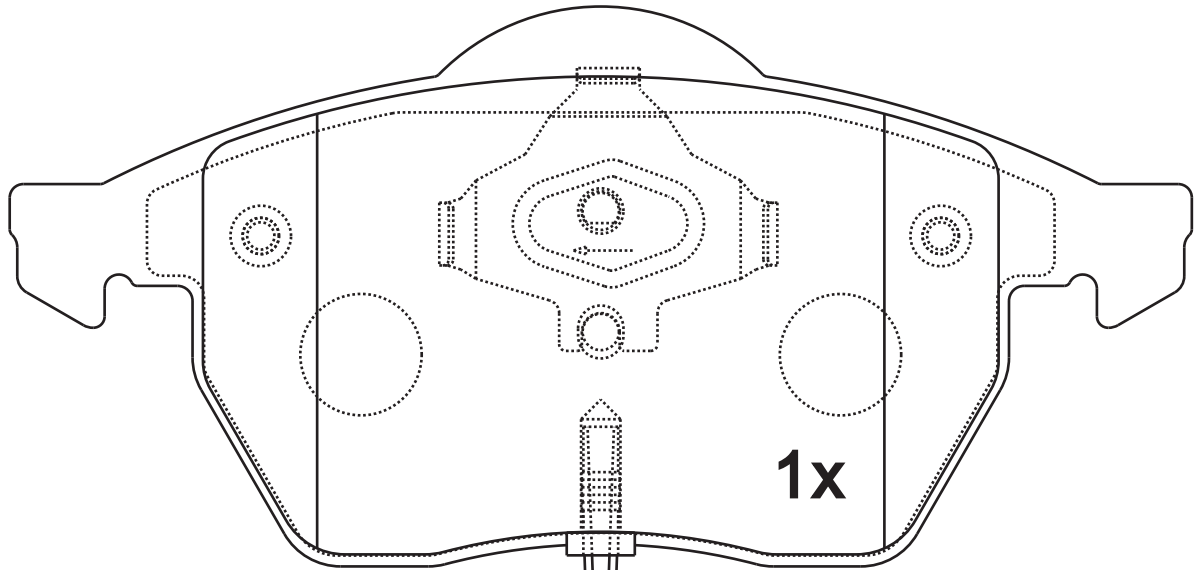
23324

... ..Next

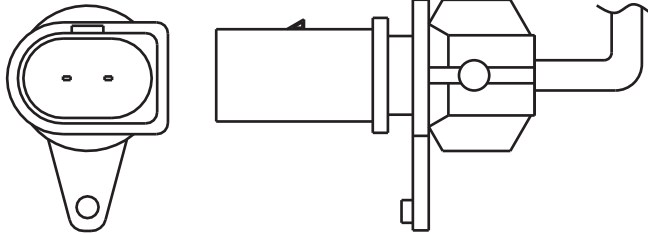
SR0107.03

Dimension (mm)	Thickness (mm)	
156.3×74	20.3	

NOTE
2 identical; 2 identical with spring, 1 with warn indicator.



X0014A 总长217mm



23324

Apply for:

Audi A4	Convertible	07.02-03.09
Audi A4	Saloon	11.04-06.08
Audi A4	Estate	11.04-06.08
Audi A6	Saloon	02.00-03.11
Audi A6	Estate	03.05-08.11
Volkswagan Passat	Saloon	08.96-11.00
Volkswagan Passat	Estate	06.97-11.00

SR0107

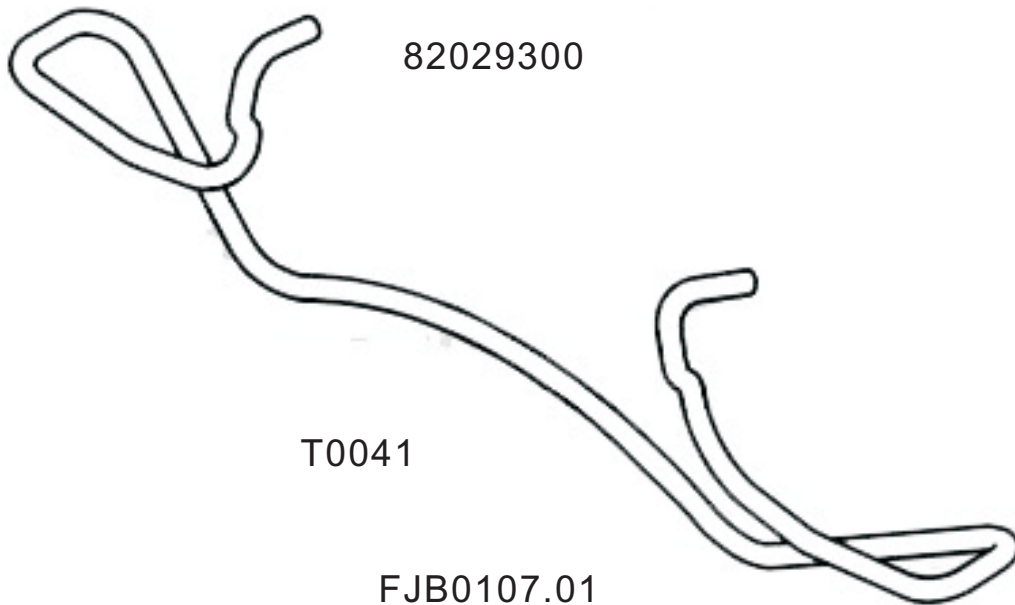
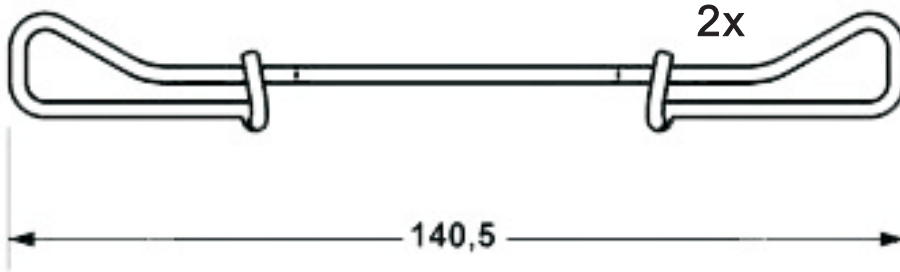
**Dimension
(mm)**

**Thickness
(mm)**





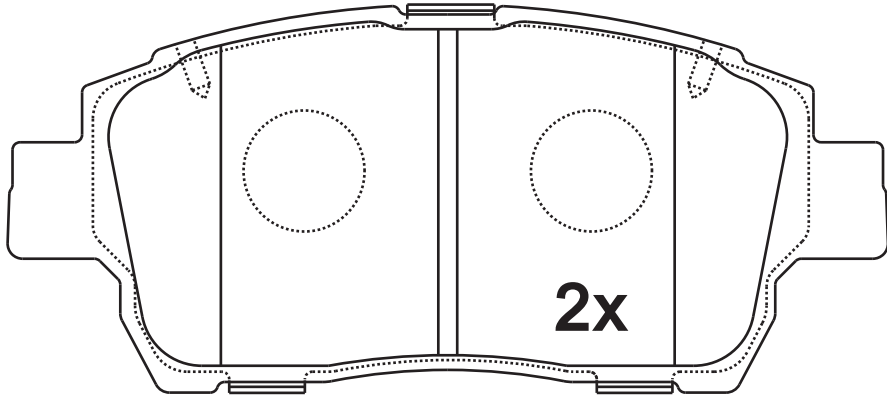
NOTE

附件包
Accessory bag

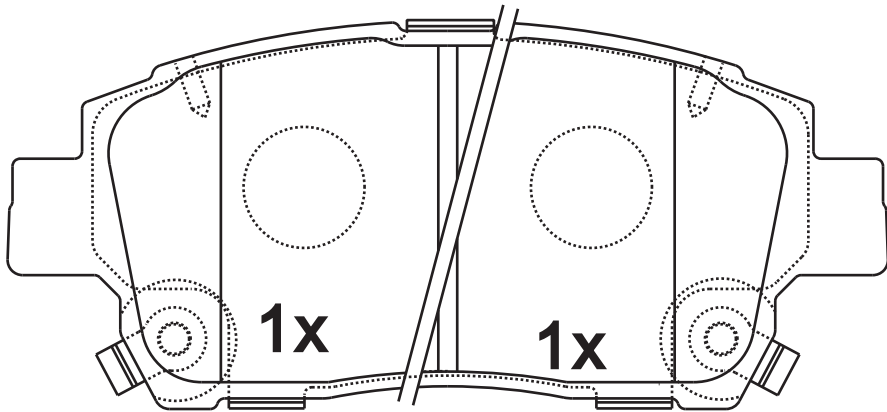


SR0108.01

Dimension (mm)	Thickness (mm)		NOTE 2 identical;2 identical 1 with acoustic indicator (left),1 with acoustic indicator(right).
116.4×51.1	16.5		



23510



23511

23512



Apply for:

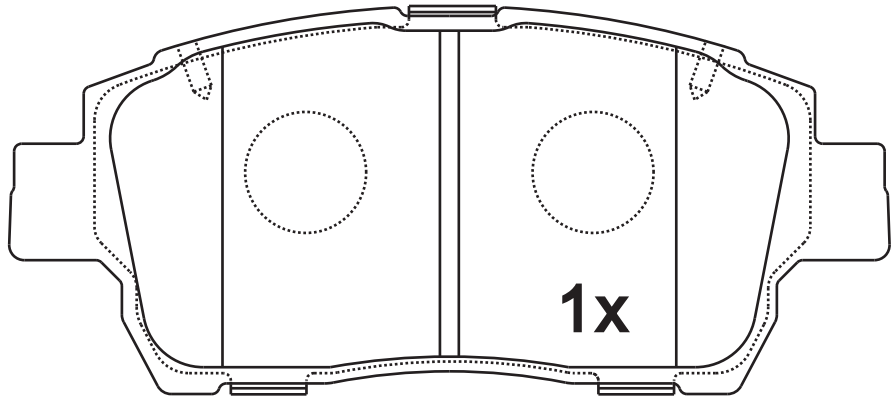
Toyota Corolla
Toyota Prius
Toyota Celica
Toyota MR 2
Toyota Yaris
Toyota Yaris

Saloon
Hatchback
Coupe
Convertible
Hatchback
MPV

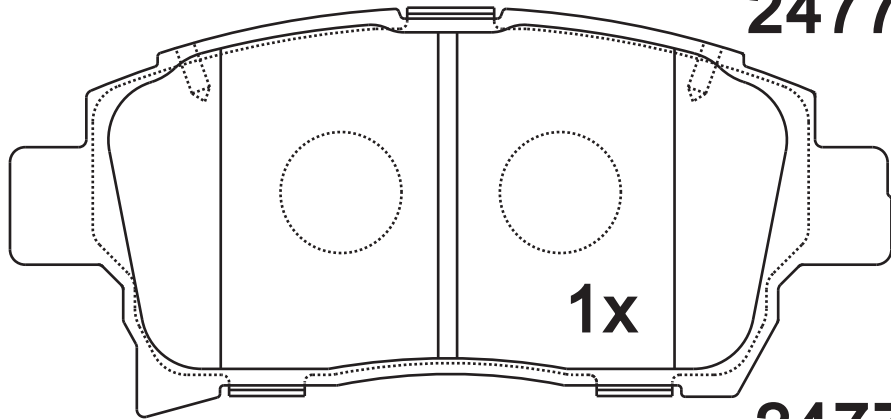
08.02-07.07
08.03-03.09
11.99-
04.00-
11.99-
11.99-

SR0108.02

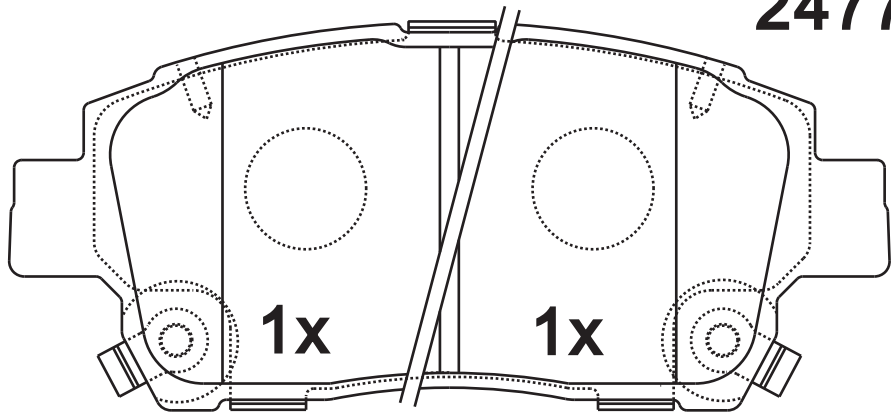
Dimension (mm)	Thickness (mm)		NOTE 1 identical;1 identical, 2 identical,1 with acoustic indicator (left),1 with acoustic indicator(right).
116.4×51.1	16.5		



24778



24779



24780

24781

Apply for:

Toyota Corolla
Toyota Prius
Toyota Celica
Toyota MR 2
Toyota Yaris
Toyota Yaris

Saloon
Hatchback
Coupe
Convertible
Hatchback
MPV

08.02-07.07
08.03-03.09
11.99-
04.00-
11.99-
11.99-

SR0109.01

**Dimension
(mm)**

170×54.8

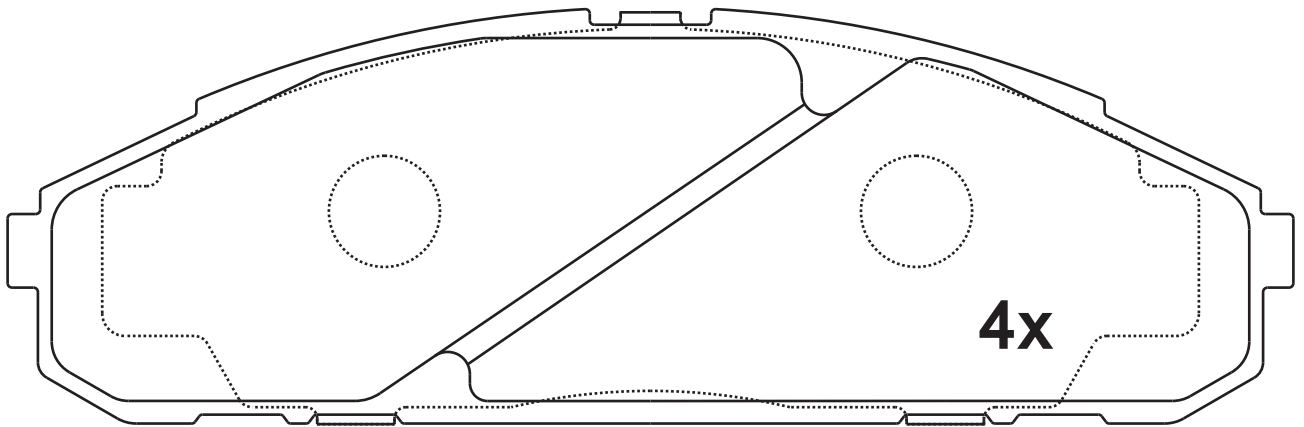
**Thickness
(mm)**

17.9



NOTE

4 identical;



23565

Apply for:

Nissan Patrol GR

Saloon

08.87-02.98

SR0110.01

**Dimension
(mm)**

165.8×60.9

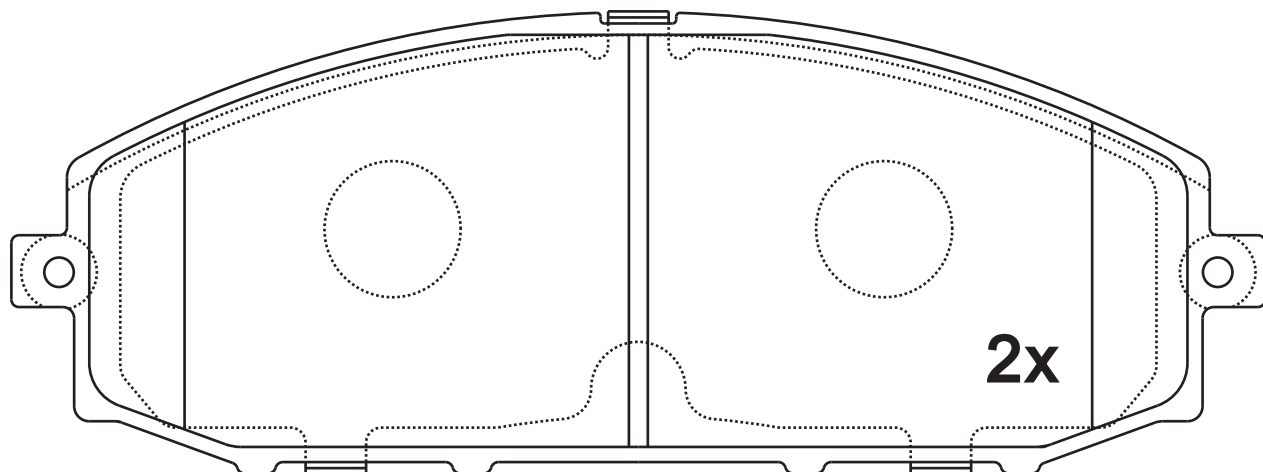
**Thickness
(mm)**

18.8

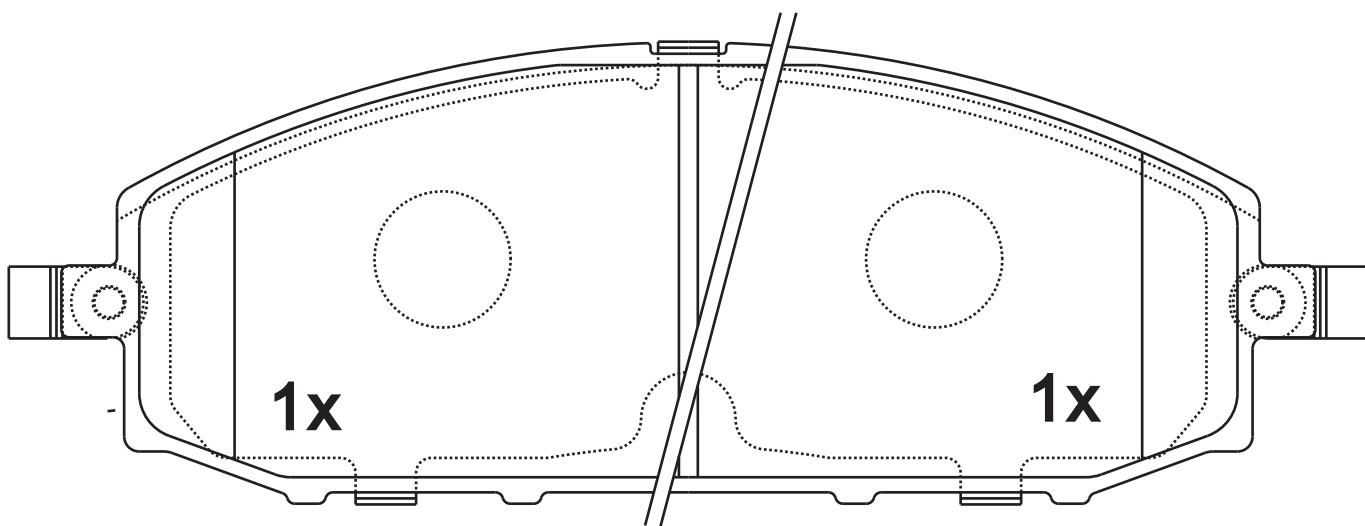


NOTE

4 identical, 1 with
acoustic indicator (left),
1 with acoustic indicator
(right).



24132



23611

23612

Apply for:

Nissan Patrol GR II

Closed off-Road

03.00-

SR0111.01**Dimension
(mm)**

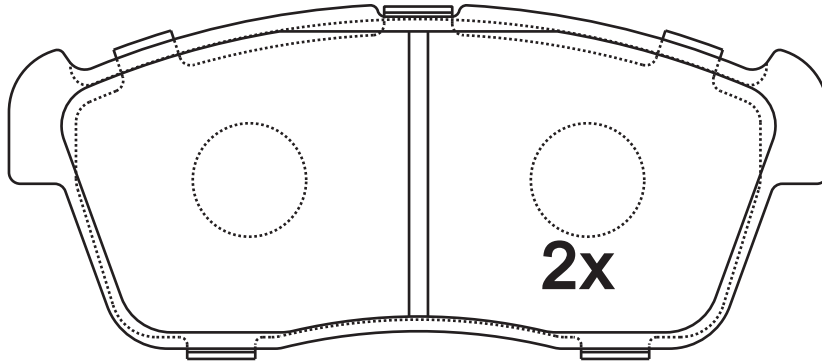
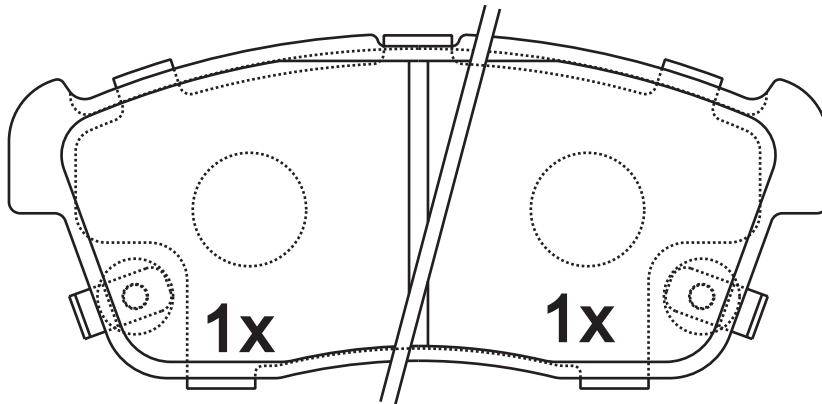
108.3×45.4

**Thickness
(mm)**

15.2

**NOTE**

4 identical, 1 with
acoustic indicator (left),
1 with acoustic indicator
(right);

**23507****23508****23509****Apply for:**

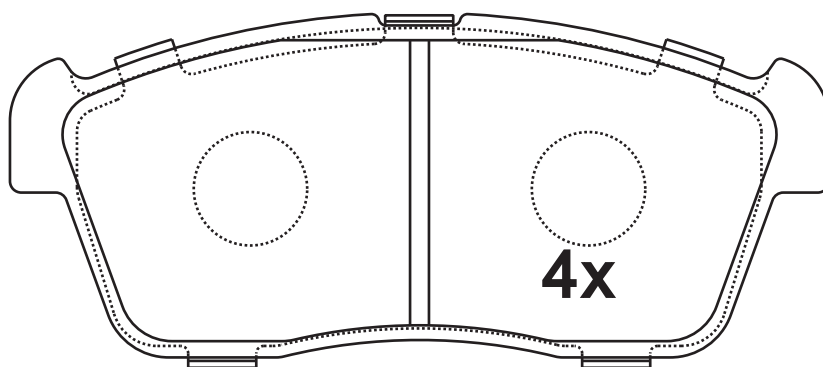
Nissan Pixo	Hatchback	06.09-
Daihatsu Charade	Saloon	03.03-
Daihatsu Copen	Saloon	09.03-
Daihatsu Cuore VIII	Saloon	04.07-
Daihatsu Sirion	Saloon	01.05-
Daihatsu Trevis	Saloon	06.06-
Suzuki Alto MK IV	Saloon	06.02-
Suzuki Carry	Box	02.99-
Suzuki Ignis II	Saloon	09.03-

SR0111.02**Dimension
(mm)**

108.3×45.4

**Thickness
(mm)**

15.2

**NOTE****4 identical****24423****Apply for:**

Nissan Pixo	Hatchback	06.09-
Daihatsu Charade	Saloon	03.03-
Daihatsu Copen	Saloon	09.03-
Daihatsu Cuore VIII	Saloon	04.07-
Daihatsu Sirion	Saloon	01.05-
Daihatsu Trevis	Saloon	06.06-
Suzuki Alto MK IV	Saloon	06.02-
Suzuki Carry	Box	02.99-
Suzuki Ignis II	Saloon	09.03-

SR0111.03**Dimension
(mm)**

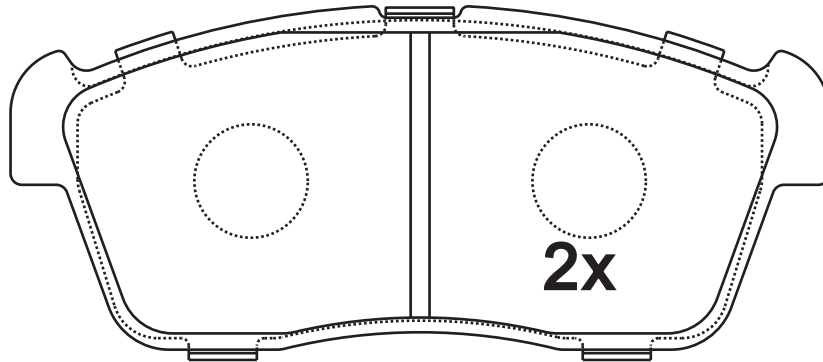
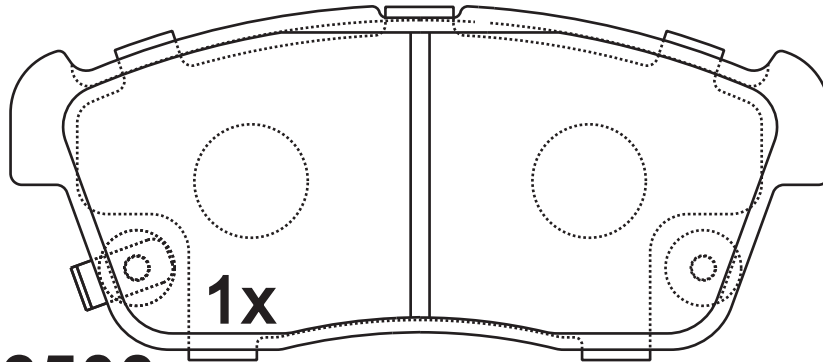
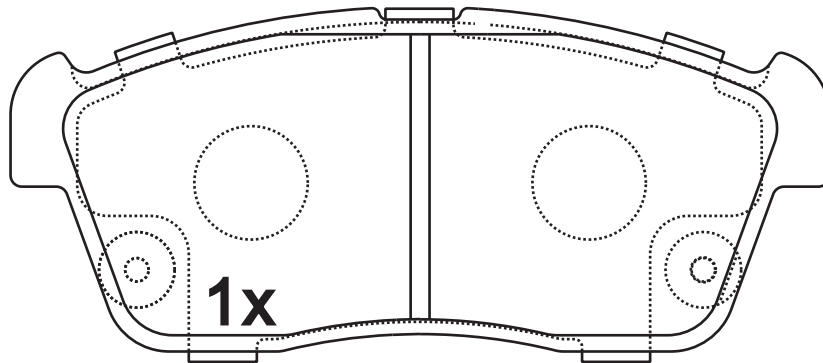
108.3×45.4

**Thickness
(mm)**

15.2

**NOTE**

2 identical; 2 identical
1 with acoustic indicator
(left).

**2x****23507****1x****23508****1x****Apply for:**

Nissan Pixo	Hatchback	06.09-
Daihatsu Charade	Saloon	03.03-
Daihatsu Copen	Saloon	09.03-
Daihatsu Cuore VIII	Saloon	04.07-
Daihatsu Sirion	Saloon	01.05-
Daihatsu Trevis	Saloon	06.06-
Suzuki Alto MK IV	Saloon	06.02-
Suzuki Carry	Box	02.99-
Suzuki Ignis II	Saloon	09.03-

SR0111

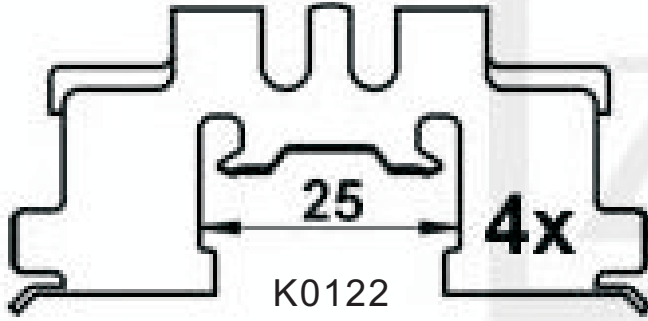
**Dimension
(mm)**

**Thickness
(mm)**



NOTE

附件包
Accessory bag



FJB0111.01

SR0112.01

**Dimension
(mm)**

125.3×42.2

**Thickness
(mm)**

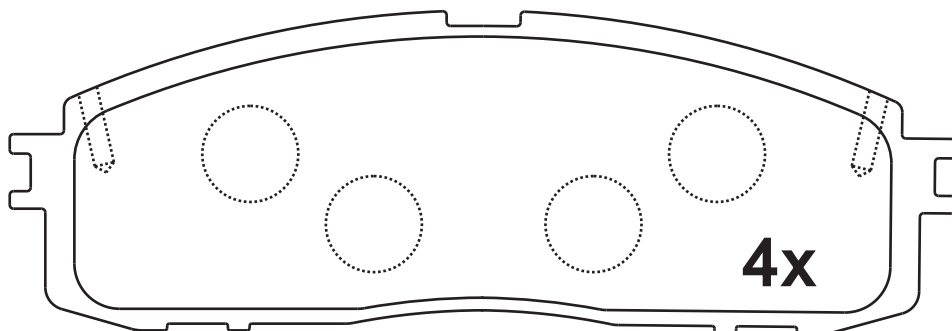
15



NOTE

4 identical;

无模具



20004

Apply for:

Toyota Supra
Toyota Celica

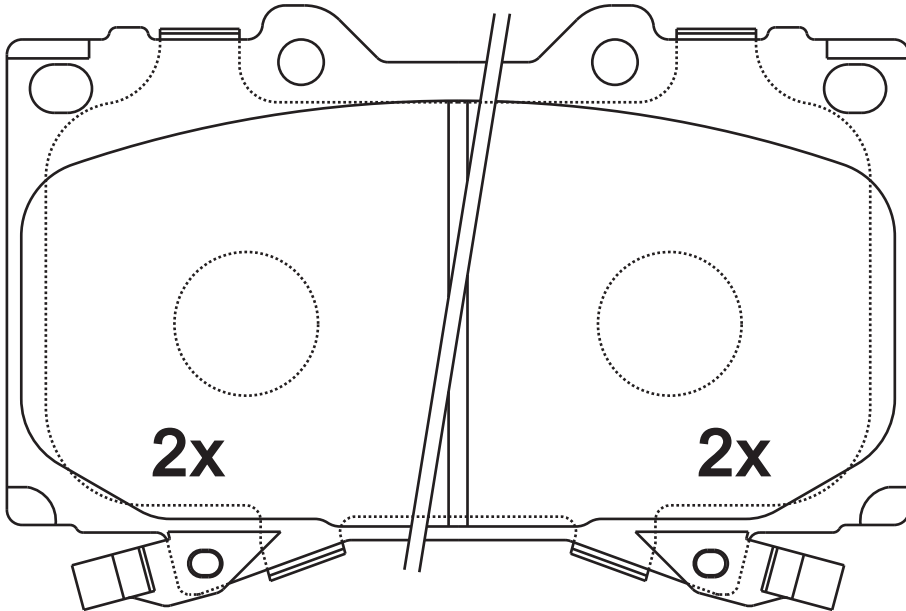
Coupe
Coupe

01.86-05.93
10.89-01.94

SR0113.01

Dimension (mm)	Thickness (mm)	
119.3×77.9	17.4	 

NOTE
4 identical, 2 with acoustic indicator (left), 2 with acoustic indicator (right).



23525

23524

Apply for:

Toyota Land Cruiser
Toyota Prado

Closed off-Road
Closed off-Road

01.90-
01.98-

SR0114.01

**Dimension
(mm)**

116.2×50.7

**Thickness
(mm)**

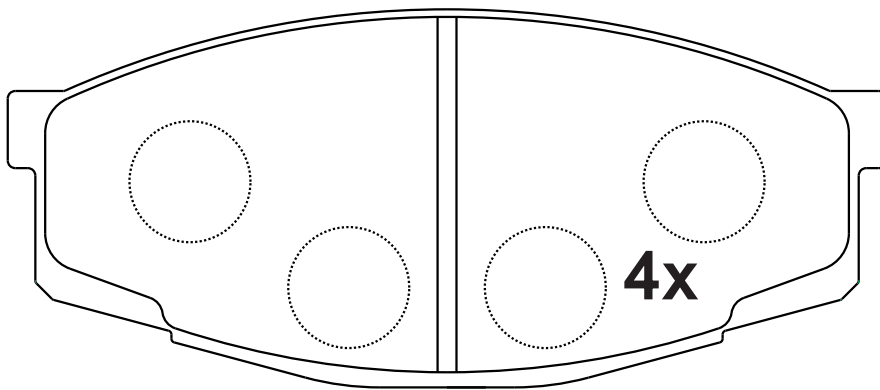
15



NOTE

4 identical;

无模具



21042

Apply for:

Toyota Cressida

Toyota Cressida Station Wagon


Saloon

Estate

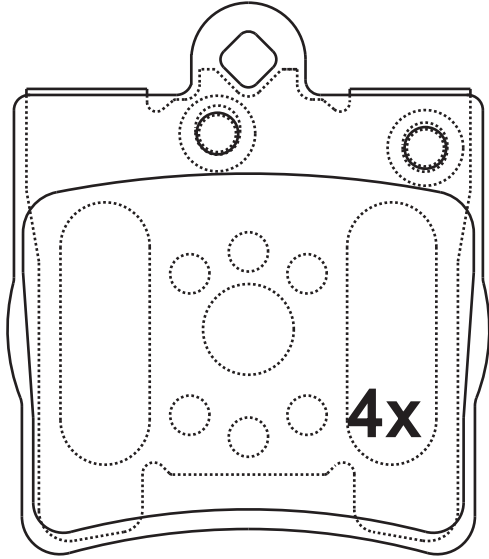
09.80-09.92

09.80-10.85

SR0115.01

Dimension (mm)	Thickness (mm)	
63.7×72.9	15.3	

NOTE
4 identical;




21919

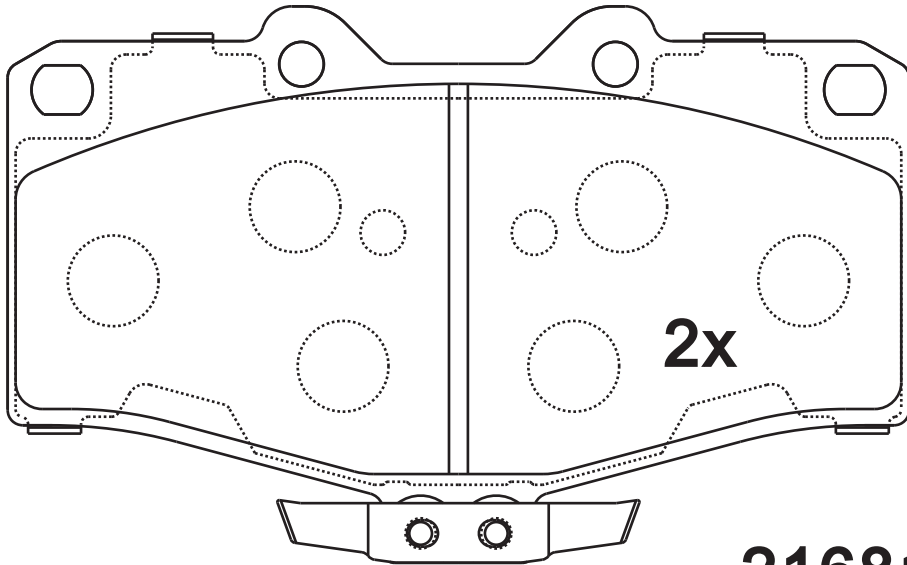
Apply for:

Mercedes CLC-Class	Coupe	05.08-06.11
Mercedes CLK	Coupe	06.97-05.09
Mercedes CLK	Convertible	07.03-03.10
Mercedes SLK	Convertible	09.96-02.11
Mercedes C-class	Saloon	10.95-
Mercedes E-class	Saloon	06.95-03.02
Chrysler Crossfire	Coupe	07.03-
Chrysler Crossfire	Convertible	05.04-

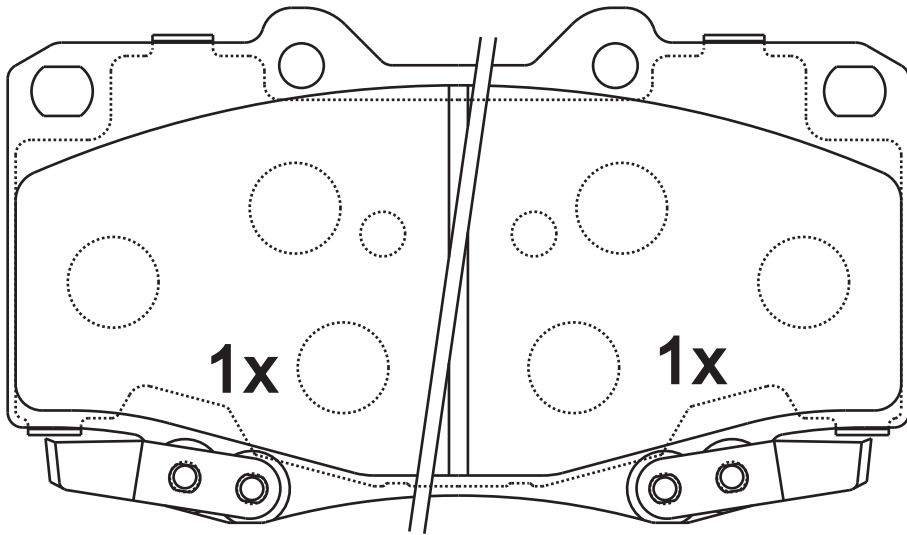
SR0116.01

Dimension (mm)	Thickness (mm)	
119.2×73.6 119.2×68.1	15	

NOTE
2 identical; 2 identical
1 with acoustic indicator
(left), 1 with acoustic
indicator (right).



21681





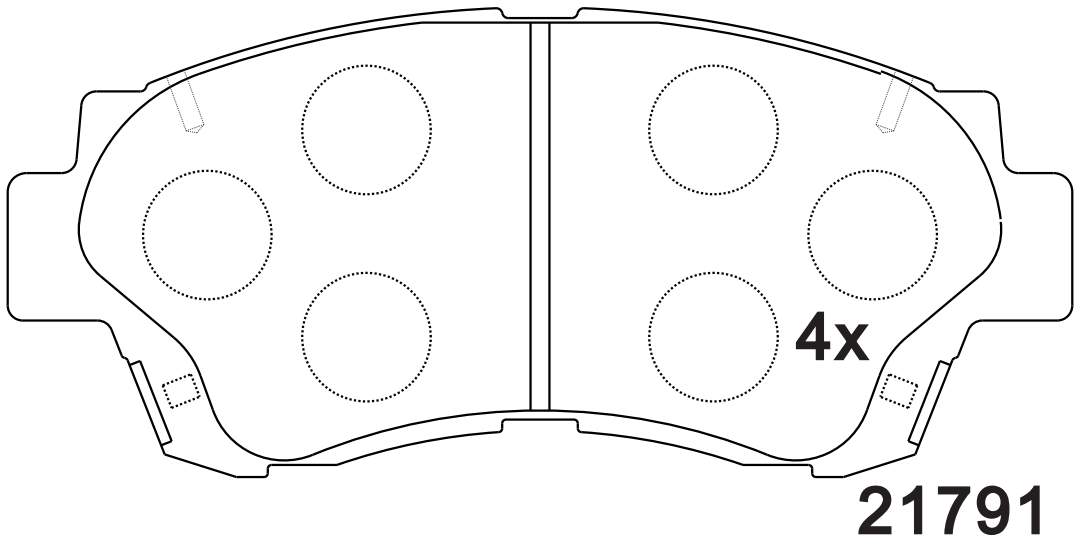
21679

21680

Apply for:

Toyota Hilux II	Pickup	06.89-07.05
Toyota Land Cruiser	Closed off-Road	11.84-
Toyota Land Cruiser Prado	Closed off-Road	04.96-
Toyota 4 Runner	Closed off-Road	07.90-11.95



SR0117.01	Dimension (mm)	Thickness (mm)		NOTE
	140.8×62	17		4 identical;

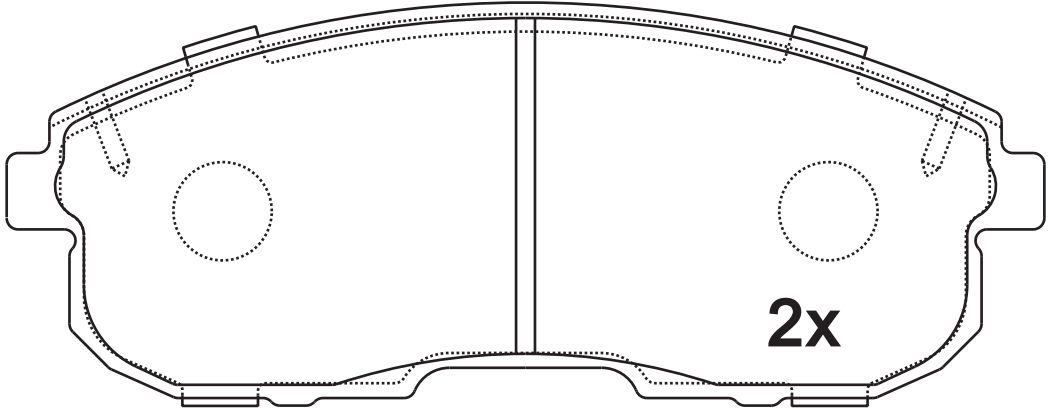


Apply for:

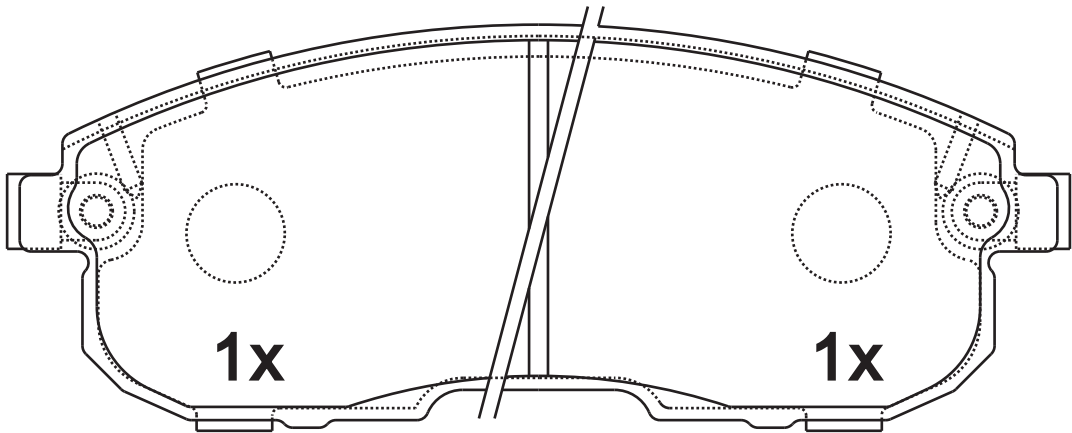
Lexus LS	Saloon	12.89-12.94
Lexus ES	Saloon	12.89-12.97
Lexus GS	Saloon	10.00-03.05
Toyota Celica	Coupe	11.93-11.99
Toyota Camry	Saloon	08.96-11.01

SR0118.01

Dimension (mm)	Thickness (mm)		NOTE
137.2×53.1	17.5		4 identical, 1 with acoustic indicator (left), 1 with acoustic indicator (right).



21633



21561

21562

Apply for:

Nissan Cube	Hatchback	03.10-
Nissan Juke	Hatchback	06.10-
Nissan Tiida	Hatchback	09.07-
Nissan Tiida	Saloon	09.07-
Nissan 200 SX	Coupe	07.88-11.93
Nissan Maxima	Saloon	10.88-08.00

SR0118.02

**Dimension
(mm)**

137.2×53.1

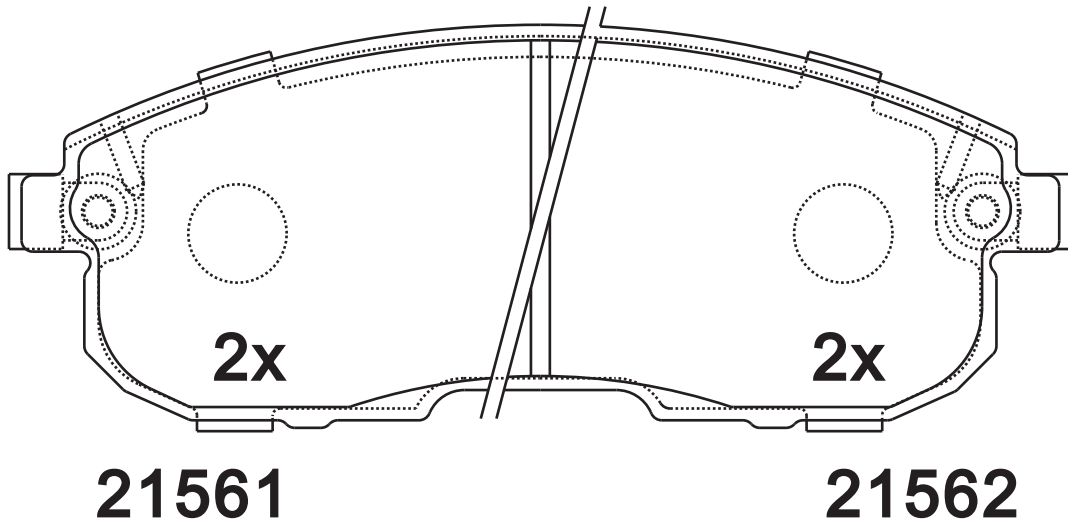
**Thickness
(mm)**

17.5



NOTE

4 identical, 1 with acoustic indicator (left),
1 with acoustic indicator (right).



Apply for:

Nissan Cube	Hatchback	03.10-
Nissan Juke	Hatchback	06.10-
Nissan Tiida	Hatchback	09.07-
Nissan Tiida	Saloon	09.07-
Nissan 200 SX	Coupe	07.88-11.93
Nissan Maxima	Saloon	10.88-08.00

SR0118.03

**Dimension
(mm)**

137.2×53.1

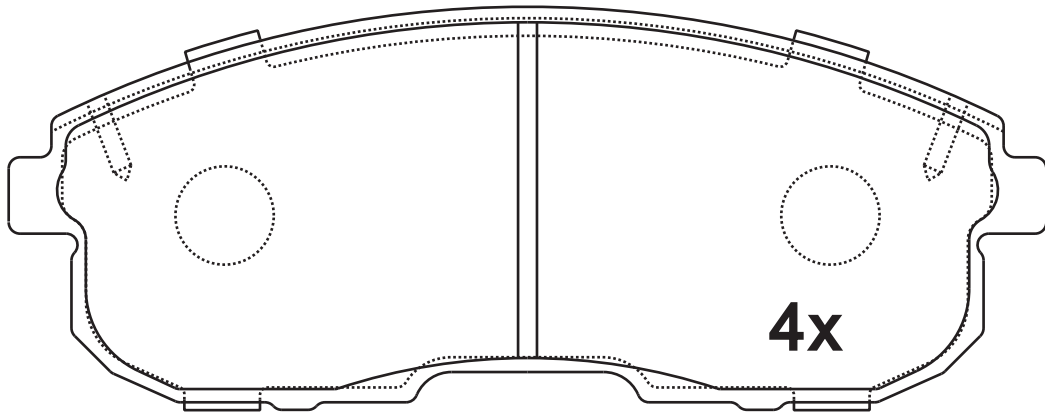
**Thickness
(mm)**

17



NOTE

4 identical;



21633

Apply for:

INFINITI I30
NISSAN ALTIMA (L32)
NISSAN TEANA I (J31)
NISSAN TIIDA Hatchback (C12)

1997-
2006-2013
2003-2008
2013-

SR0119.01

**Dimension
(mm)**

151.3×51.3

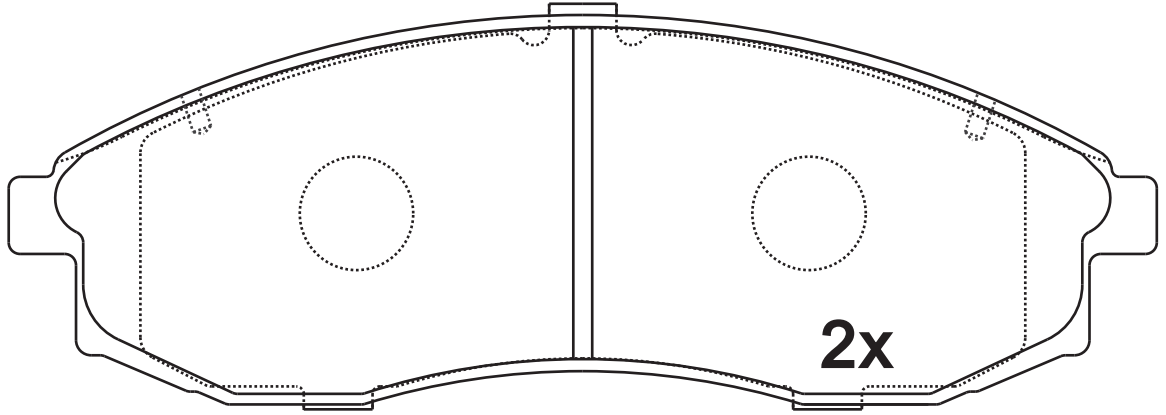
**Thickness
(mm)**

17

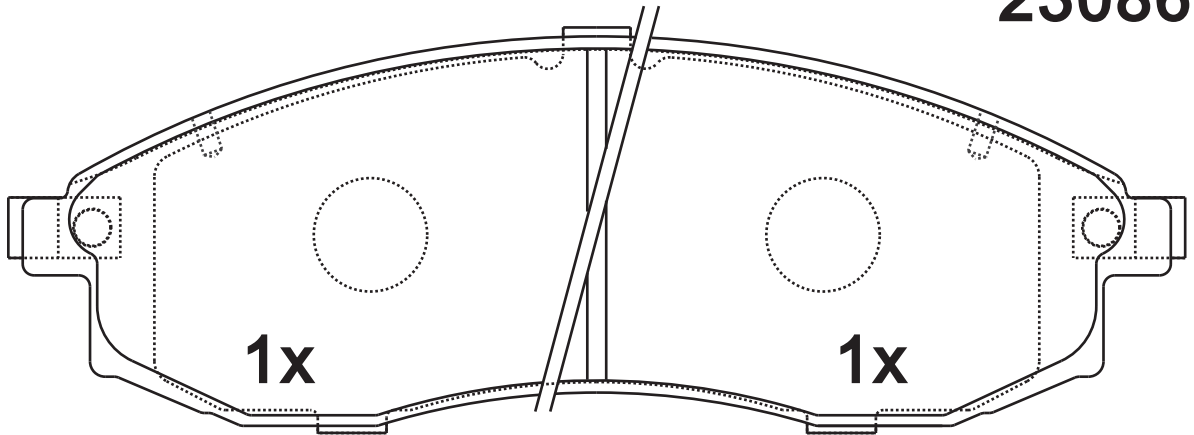


NOTE

4 identical, 1 with
acoustic indicator(left),
1 with acoustic indicator
(right).



23086



23316

23317

Apply for:

Mitsubishi L200
Nissan Cefiro
Nissan Maxima

Pickup
Saloon
Estate

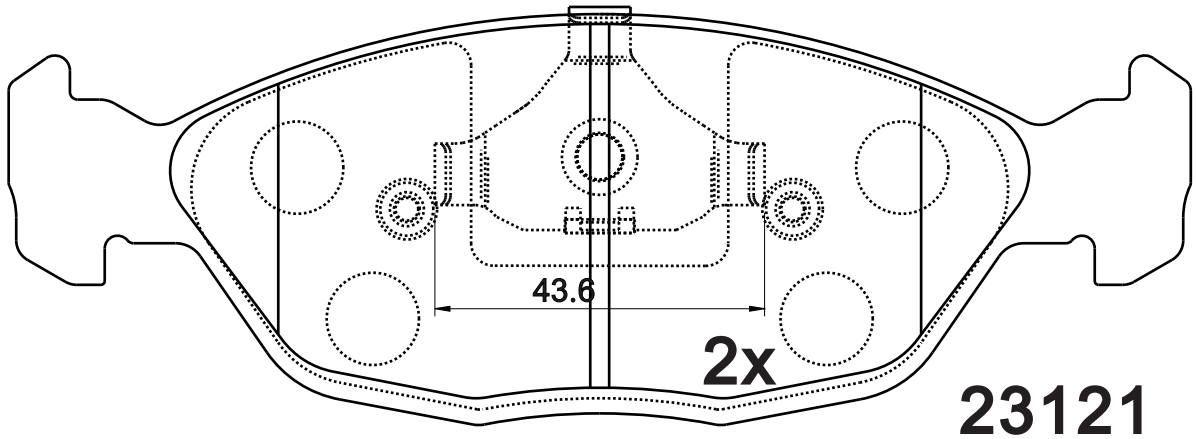
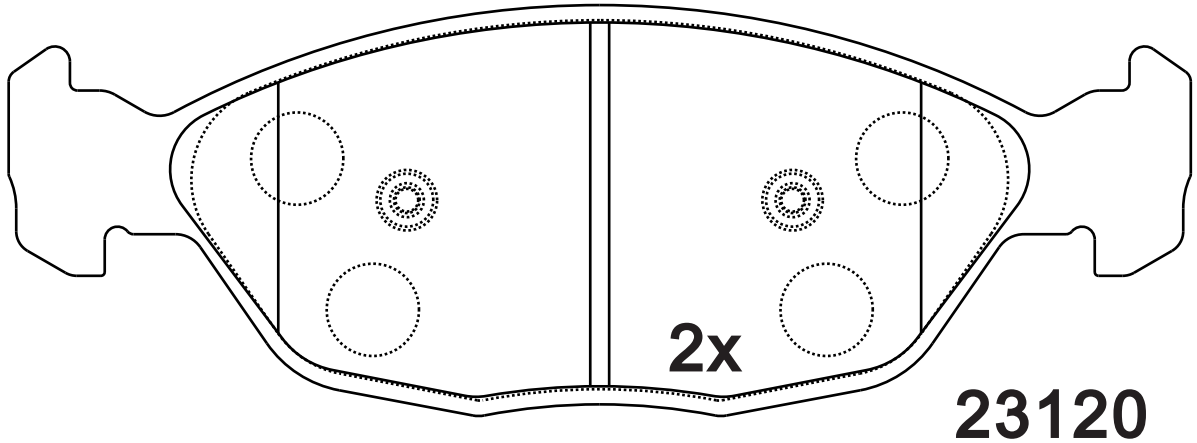
06.96-12.09
10.94-12.99
10.97-

SR0120.01**Dimension
(mm)**

156.3×54.3

**Thickness
(mm)**

17.5

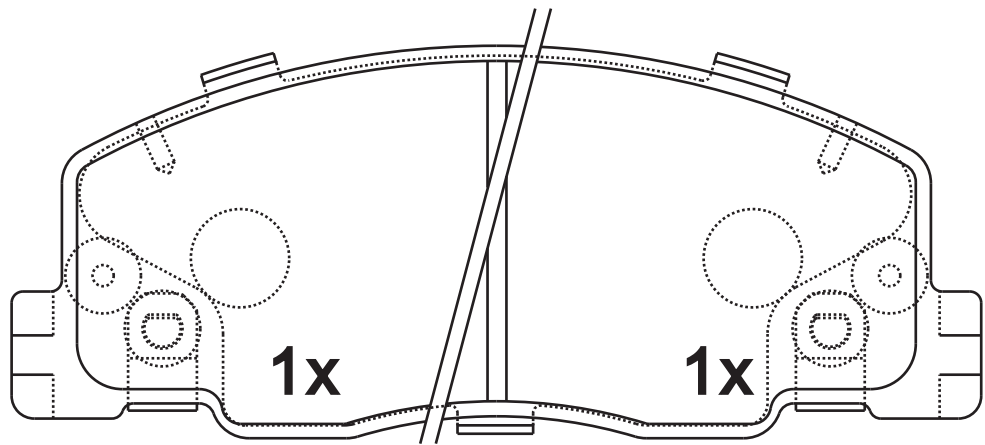
**NOTE****4 identical, 2 wear with spring.****Apply for:**

Volkswagan Santana	Saloon	03.85-12.11
Volkswagan Santana	Estate	08.96-12.11
Volkswagan Santana 2000	Saloon	04.95-03.04
Volkswagan Santana 3000	Saloon	03.04-10.07
Volkswagan Santana Vista	Saloon	01.08-

SR0121.01

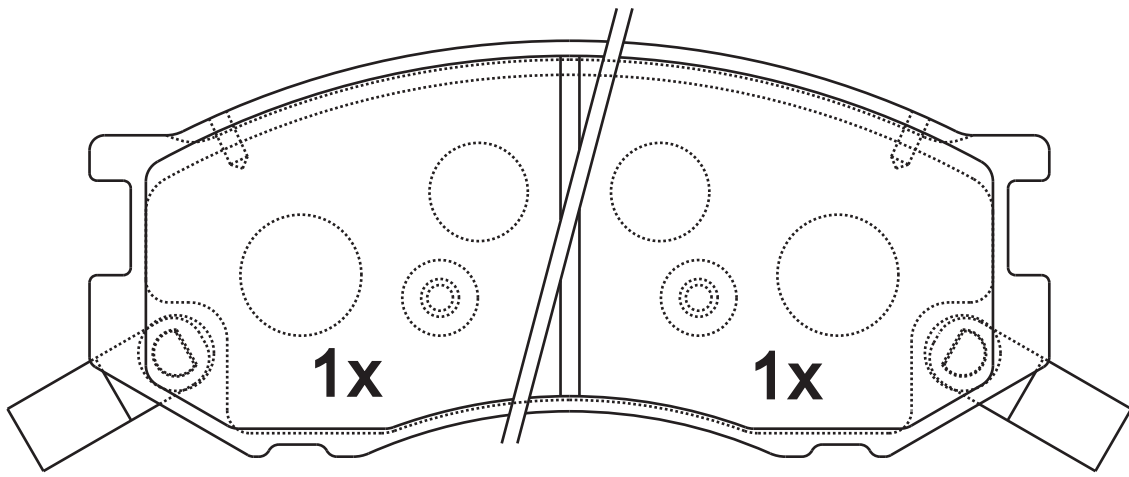
Dimension (mm)	Thickness (mm)	
128.2×51.9 126.9×55	15.5	
		

NOTE
2 identical, 1 with acoustic indicator(left), 1 with acoustic indicator(right); 2 identical, 1 with acoustic indicator(left), 1 with acoustic indicator(right)



23505

23506



23032

23033

Apply for:

Toyota Previa

MPV

05.90-08.00

SR0122.01

**Dimension
(mm)**

**Thickness
(mm)**

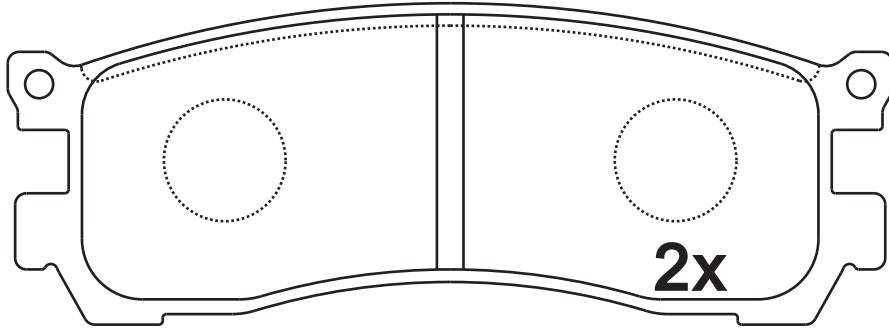


NOTE

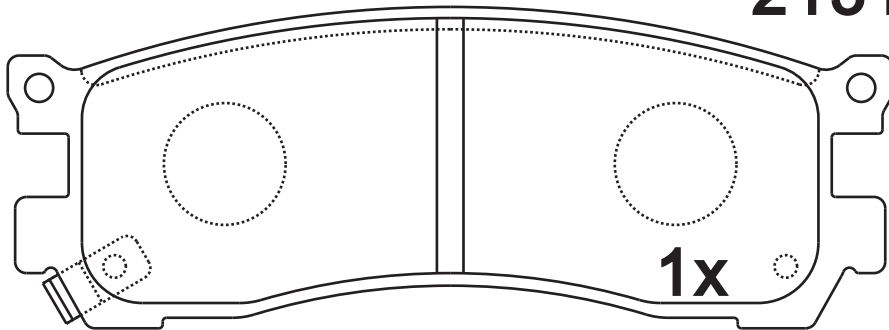
4 identical, 1 with acoustic indicator (left), 1 with acoustic indicator (right)

117×42.5

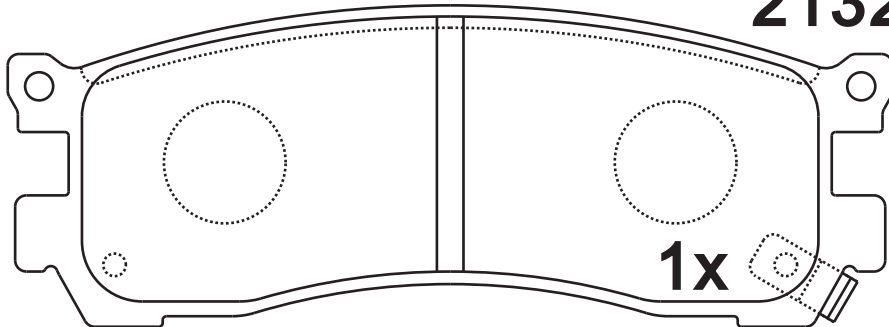
14.9



21319



21320



21321

Apply for:

Mazda 929 III	Saloon	05.87-06.91
Mazda MPV I	MPV	03.95-09.99
Mazda MPV II	MPV	09.99-
Mazda Xedos 9	Saloon	07.93-

SR0122.02

**Dimension
(mm)**

**Thickness
(mm)**

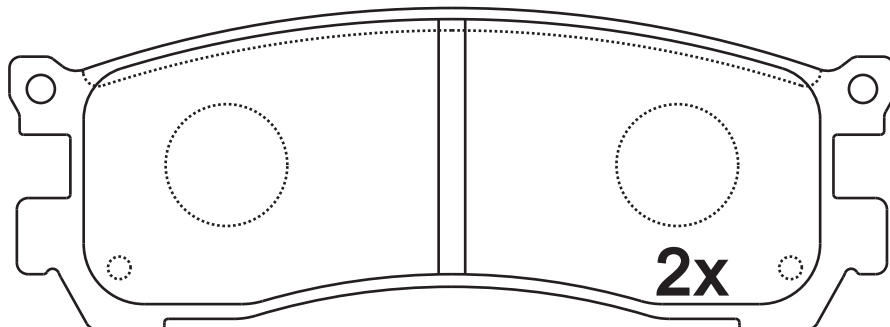


NOTE

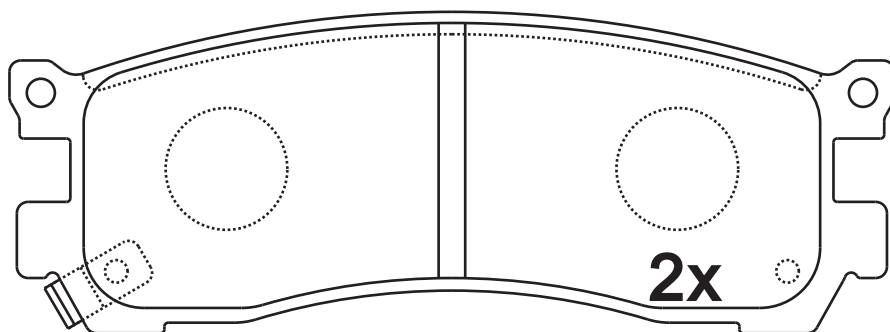
**4 identical,
2 with acoustic indicator
(right)**

117×42.5

14.9



21319



21321

Apply for:
Mazda Mpv I

1988/09-1999/09

SR0123.01

**Dimension
(mm)**

166.1×63.2

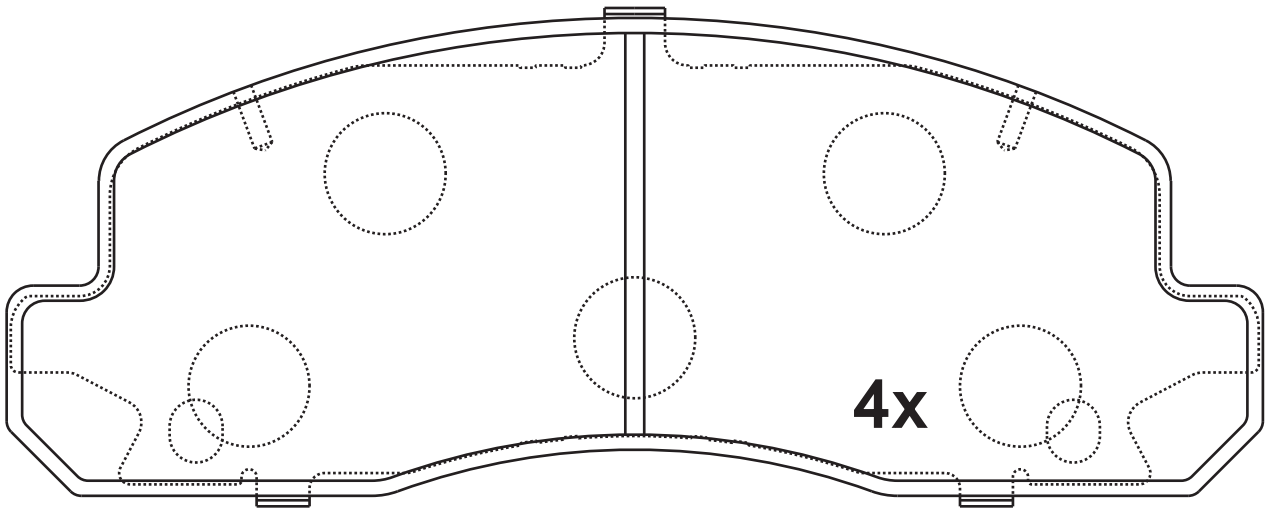
**Thickness
(mm)**

18



NOTE

4 identical;



23306

Apply for:

Toyota Dyna 200
Toyota Coaster

Platform
Bus

1995-2001
10.87-10.03

SR0123.02

**Dimension
(mm)**

166.1×63.2

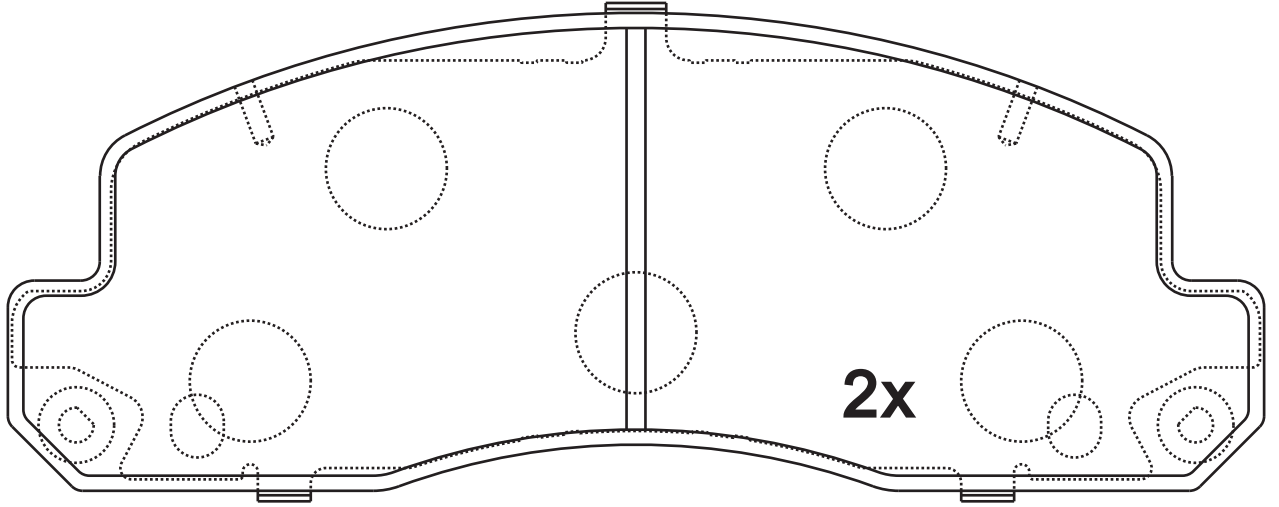
**Thickness
(mm)**

18

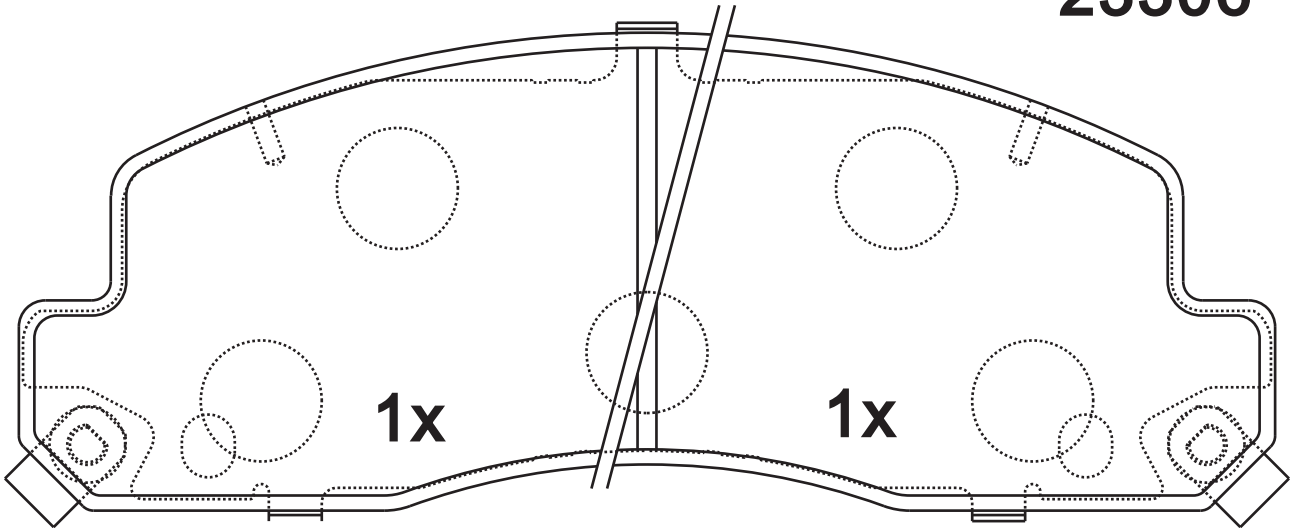


NOTE

4 identical, 1 with
acoustic indicator (left),
1 with acoustic indicator
(right)



23306



Apply for:

Toyota Dyna 200
Toyota Coaster

Platform
Bus

1995-2001
10.87-10.03

SR0123.03

**Dimension
(mm)**

166.1×63.2

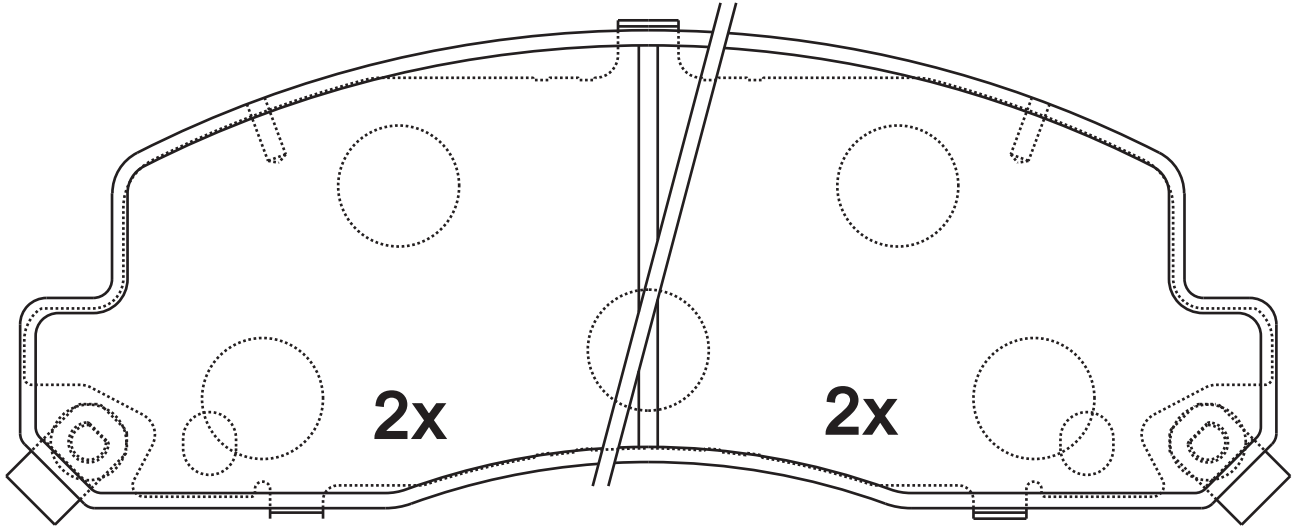
**Thickness
(mm)**

18



NOTE

2 identical with acoustic indicator(left),2 identical with acoustic indicator (right).



23306

Apply for:

Toyota Coaster (Latin America)

1993-2010

SR0124.01**Dimension
(mm)**

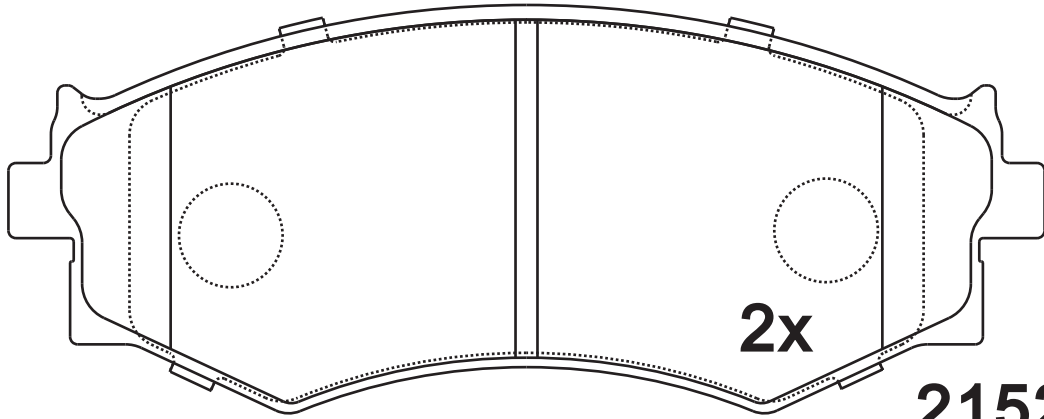
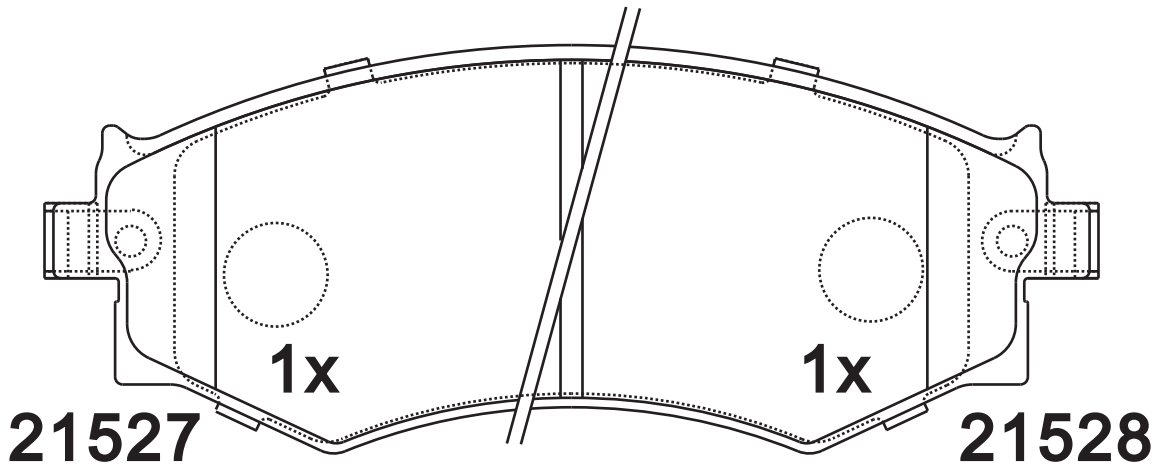
137×54

**Thickness
(mm)**

16.7

**NOTE**

4 identical, 1 with
acoustic indicator (left),
1 with acoustic indicator
(right).

**21526****21527****1x****21528****Apply for:**

Nissan Almera II	Hatchback	08.02-
Nissan Almera II	Saloon	07.00-
Nissan 200 SX	Coupe	07.88-11.93
Nissan Prairie Pro	MPV	10.88-07.94
Nissan Primera Traveller	Estate	07.90-12.95
Chevrolet Aveo	Saloon	05.05-
Hyundai Coupe	Coupe	08.96-04.02

SR0125.01**Dimension
(mm)**

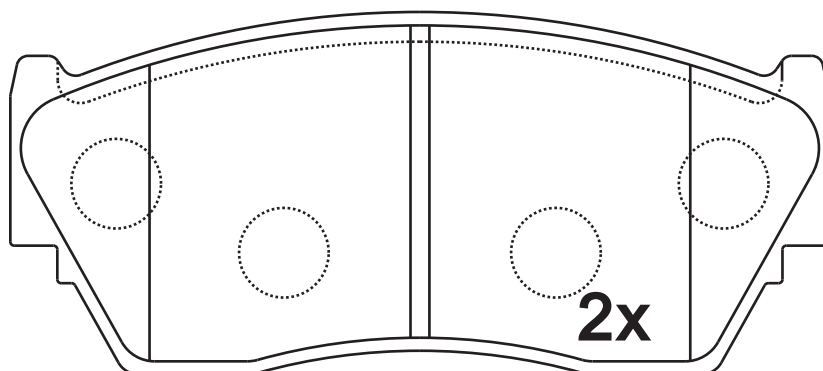
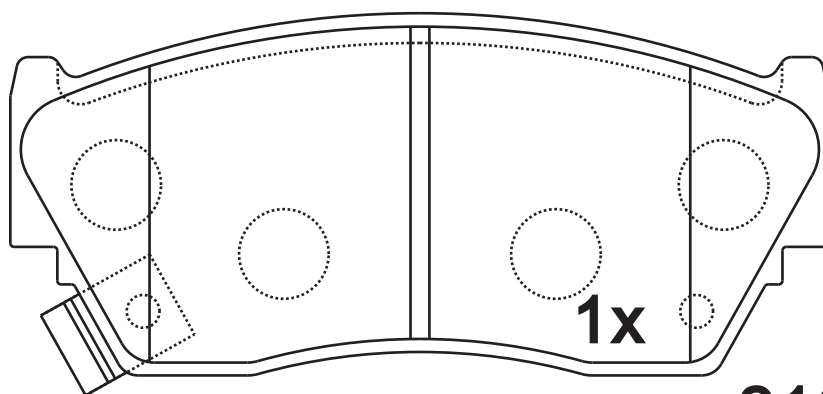
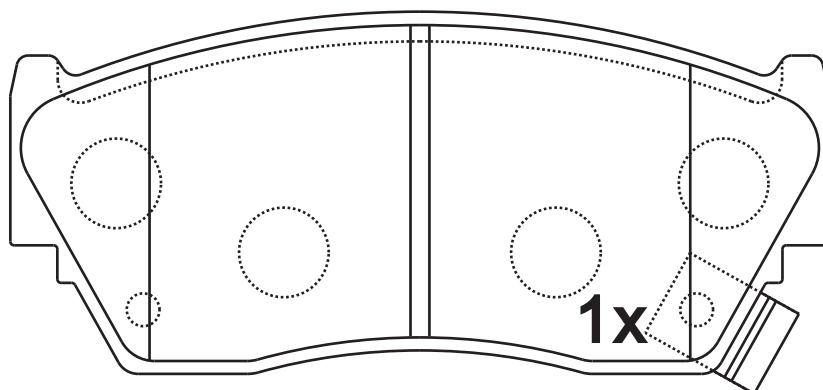
108.3×47.9

**Thickness
(mm)**

16.4

**NOTE**

4 identical, 1 with
acoustic indicator (left),
1 with acoustic indicator
(right).

**21657****21658****21659****Apply for:**

Nissan Sunny III
Nissan Sunny III
Nissan 100 NX

Hatchback
Saloon
Coupe

10.90-05.95
08.90-06.95
03.90-10.94

SR0125.02

**Dimension
(mm)**

**Thickness
(mm)**

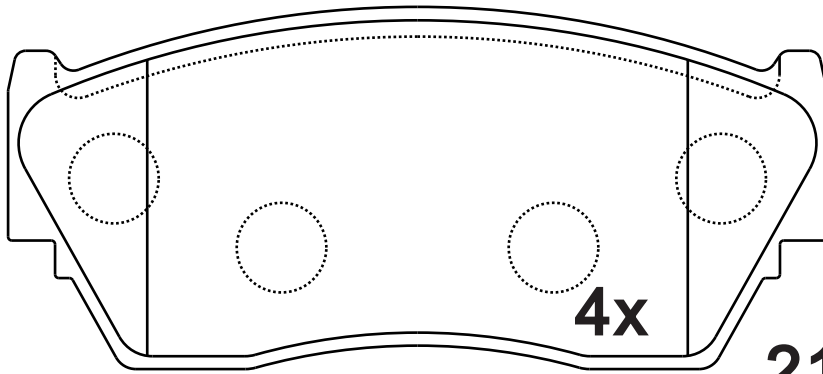


NOTE

**4 identical, 1 with
acoustic indicator (left),
1 with acoustic indicator
(right).**

108.3×47.9

16.4



21657

Apply for:

Nissan Sunny III
Nissan Sunny III
Nissan 100 NX

Hatchback
Saloon
Coupe

10.90-05.95
08.90-06.95
03.90-10.94

SR0126.01

**Dimension
(mm)**

**Thickness
(mm)**



NOTE

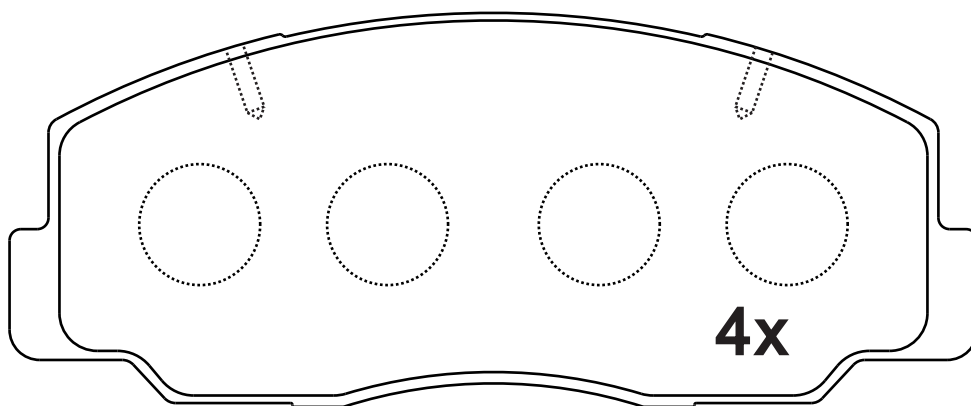
4 identical;

127.9×52.2

14





无模具



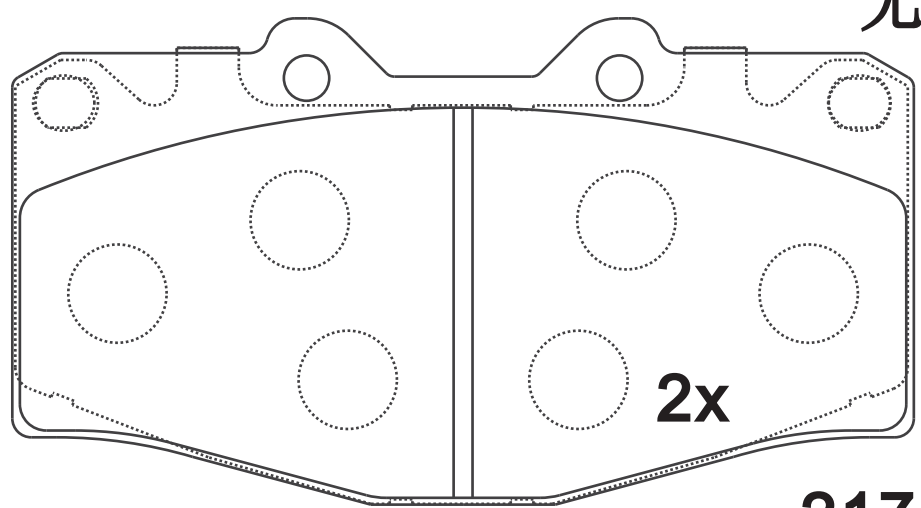
21712

Apply for:

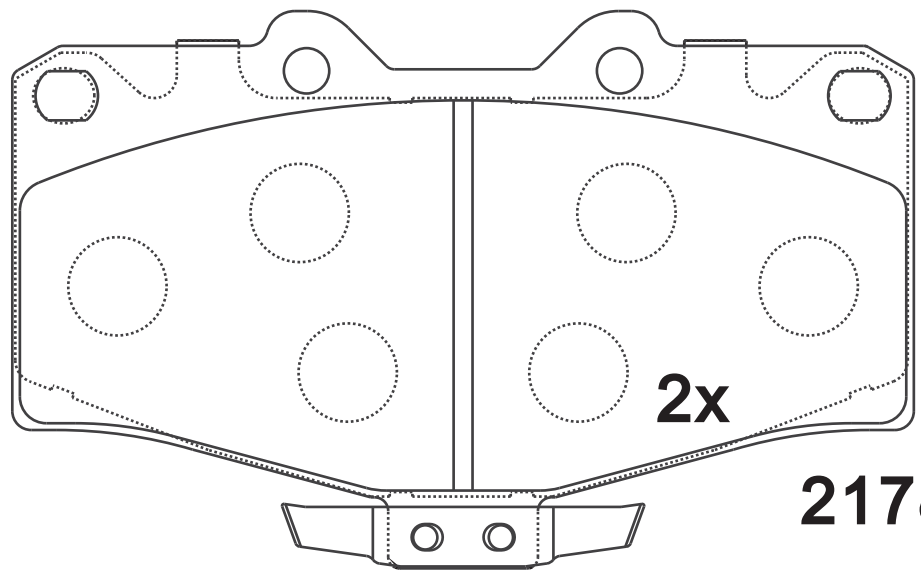
Daihatsu Rocky	Open off-Road	09.91-04.93
Daihatsu Rocky	Closed off-Road	09.91-04.16
Daihatsu Feroza	Closed off-Road	10.88-
Daihatsu Feroza	Open off-Road	10.88-
Daihatsu Taft	Closed off-Road	09.76-02.85

SR0127.01	Dimension (mm)	Thickness (mm)		NOTE 2 identical; 2 identical;
	119.2×64.5/76.5	15		

无模具



21784



21785

Apply for:

Toyota Hilux II

Pickup

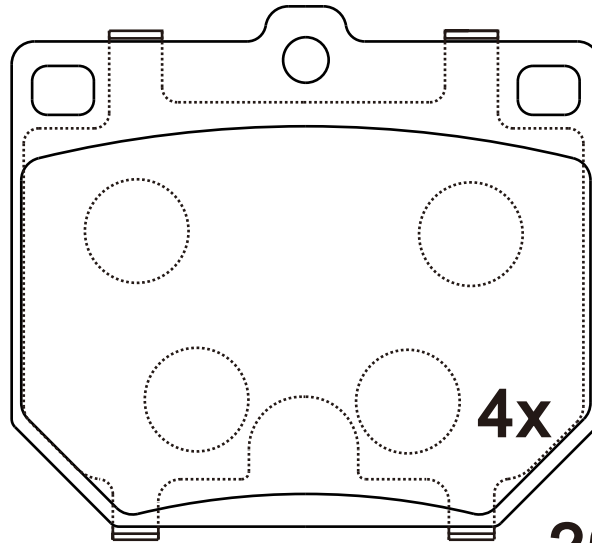
08.88-07.05

SR0128.01**Dimension
(mm)**



77.8×68.8

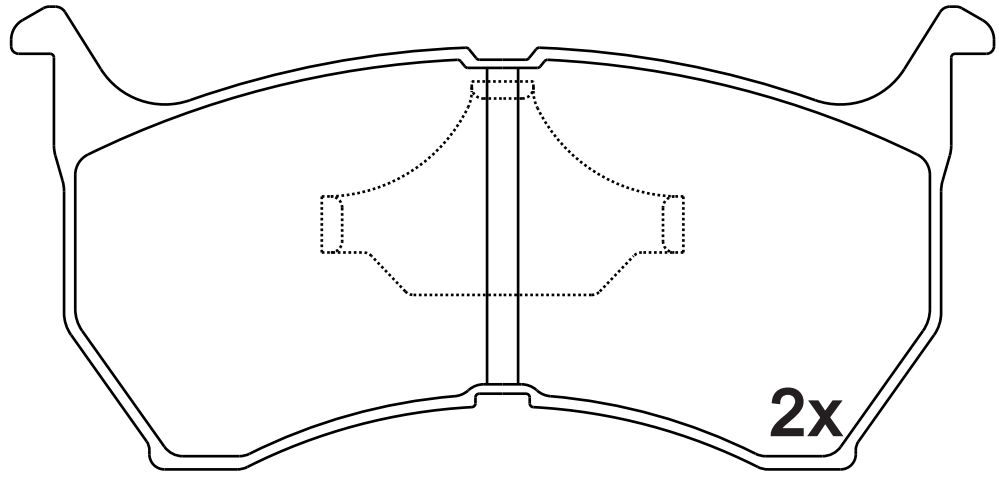
**Thickness
(mm)**

15.5

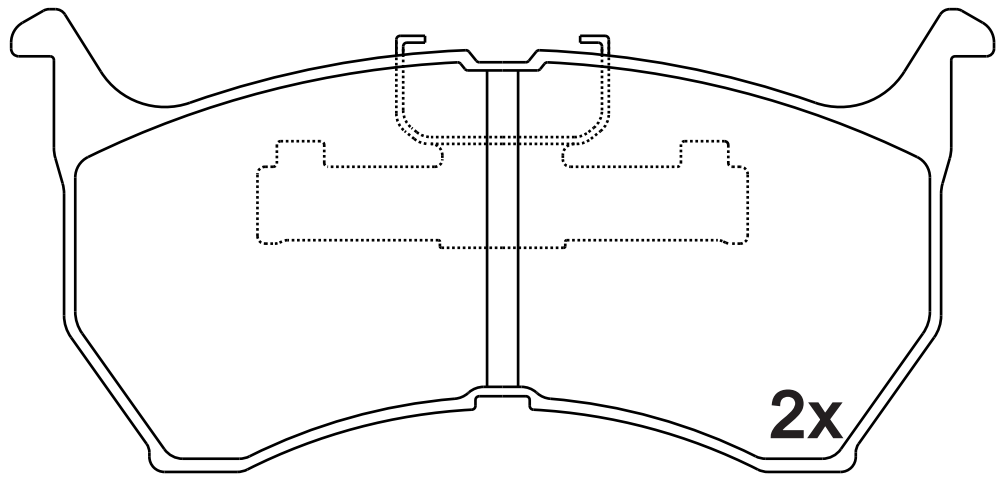
**NOTE****4 identical;****20289****Apply for:**

Toyota Cressida	Saloon	07.77-07.81
Toyota Cressida	Station Wagon	07.77-07.81
Toyota Corona	Saloon	06.79-01.81
Toyota Corona	Hatchback	06.79-07.81
Toyota Crown	Estate	09.80-09.83
Toyota Crown	Saloon	09.80-09.83
Nissan Bluebird	Saloon	07.74-11.79
Nissan Silvia	Coupe	01.79-05.83
Nissan Laurel	Saloon	03.77-05.83

SR0129.01	Dimension (mm)	Thickness (mm)		NOTE 2 identical with spring; 2 identical with spring.
	130×61.2	15		



21041





21168

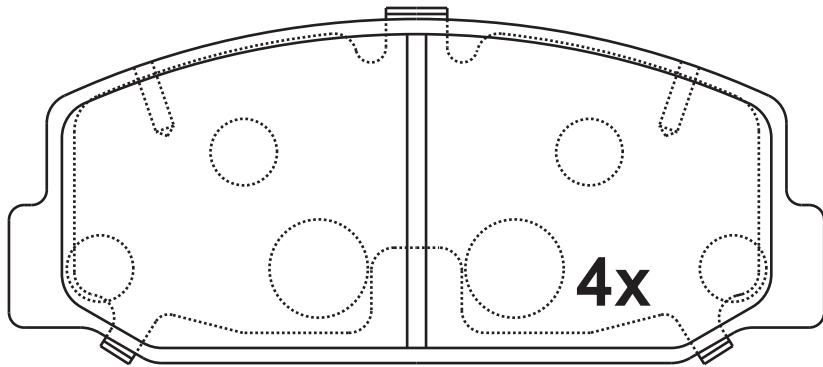
Apply for:

Mazda 626 II	Saloon	11.82-09.87
Mazda 626 II	Hatchback	11.82-09.87

SR0130.01

Dimension (mm)	Thickness (mm)	
107.8×45.5	14	

NOTE
4 identical;





20599

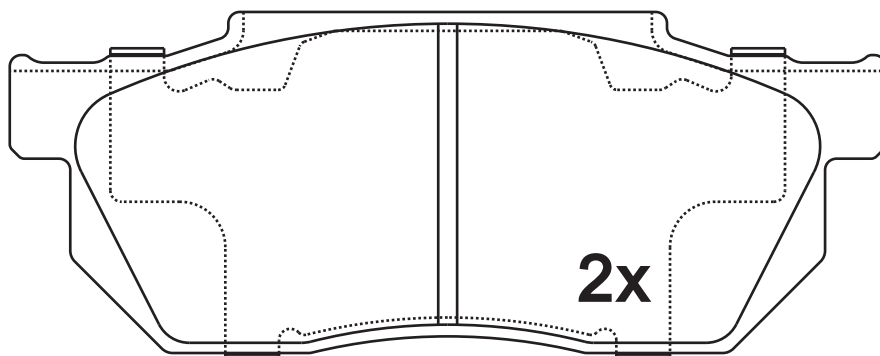
Apply for:

Toyota Celica	Saloon	08.77-08.85
Toyota Celica	Coupe	08.77-08.85
Toyota Carina	Saloon	10.75-09.83
Toyota Corona	Saloon	12.75-05.79
Toyota Corona	Estate	09.75-05.79

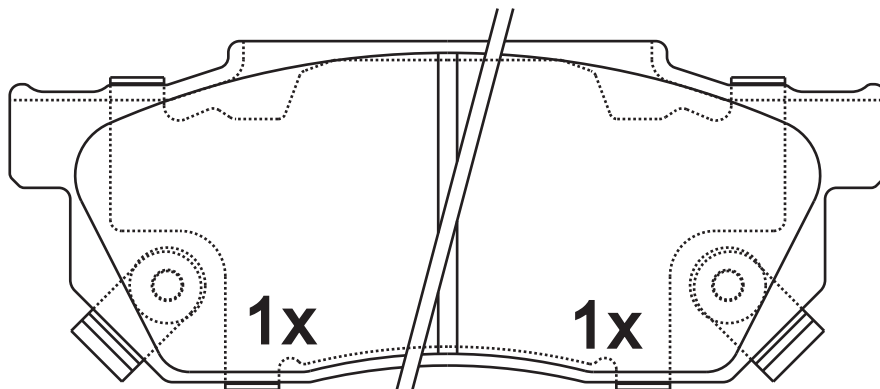
SR0131.01

Dimension (mm)	Thickness (mm)	
115.8×45.1	15	

NOTE
4 identical, 1 with acoustic indicator (left), 1 with acoustic indicator (right).



20959



20194

20193

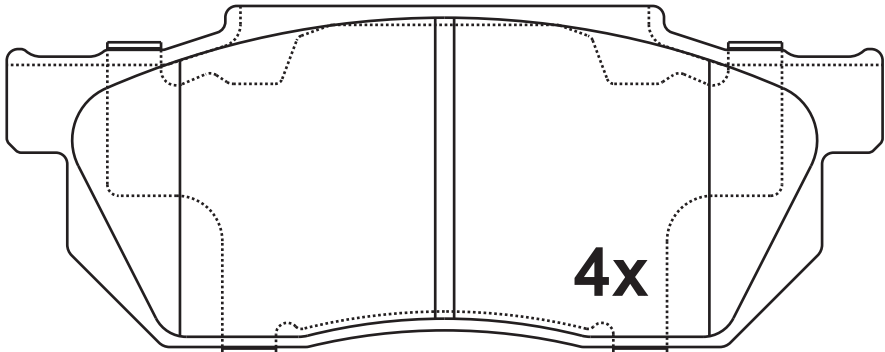
Apply for:

Honda Civic III	Hatchback	10.83-10.87
Honda Civic III	Saloon	10.83-10.97
Honda Civic IV	Saloon	09.87-10.93
Honda Civic V	Hatchback	10.91-11.95
Honda CRX I	Saloon	10.83-10.87
Honda Prelude II	Saloon	01.83-09.87

SR0131.02

Dimension (mm)	Thickness (mm)	
115.8×45.1	15	

NOTE
4 identical;



20959

Apply for:

Honda Civic III	Hatchback	10.83-10.87
Honda Civic III	Saloon	10.83-10.97
Honda Civic IV	Saloon	09.87-10.93
Honda Civic V	Hatchback	10.91-11.95
Honda CRX I	Saloon	10.83-10.87
Honda Prelude II	Saloon	01.83-09.87

SR0132.01

**Dimension
(mm)**

94.8×57.6

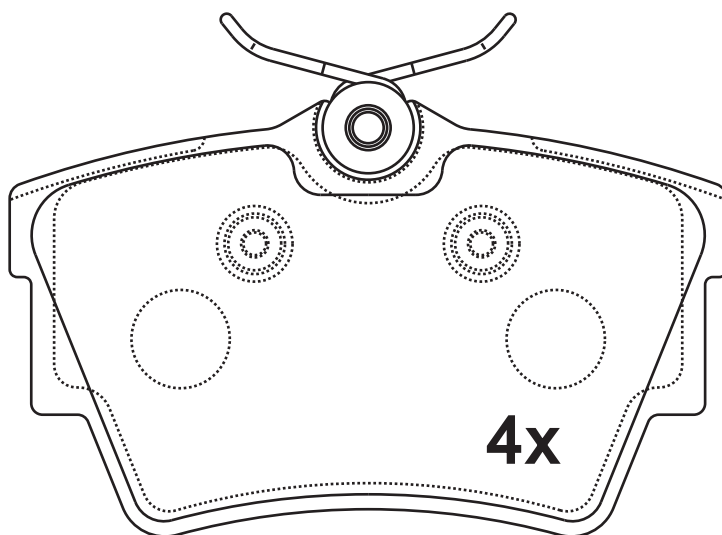
**Thickness
(mm)**

16.5



NOTE

4 identical;



23980

Apply for:

Nissan Primastar	Box	09.02-
Nissan Primastar	Van	09.02-
Opel Vivaro	Box	06.14-
Opel Vivaro	Box	08.01-
Opel Vivaro	Combi	06.14-
Opel Vivaro	Platform	01.06-
Renault Trafic II	Bus	03.01-
Renault Trafic II	Platform	03.01-

SR0132

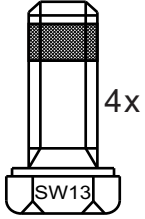
**Dimension
(mm)**

**Thickness
(mm)**



NOTE

**附件包
Accessory kit**



M8×21
L0010
FJB0025.01

SR0133.01

**Dimension
(mm)**

183.6×64

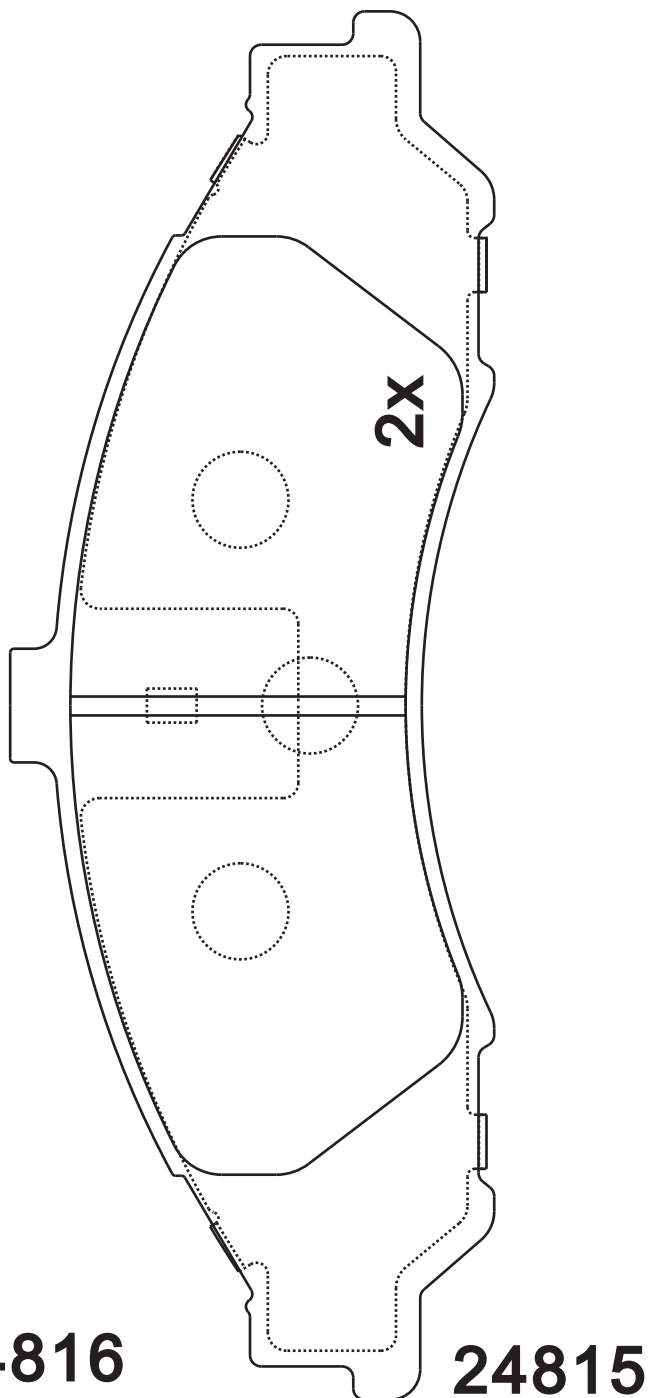
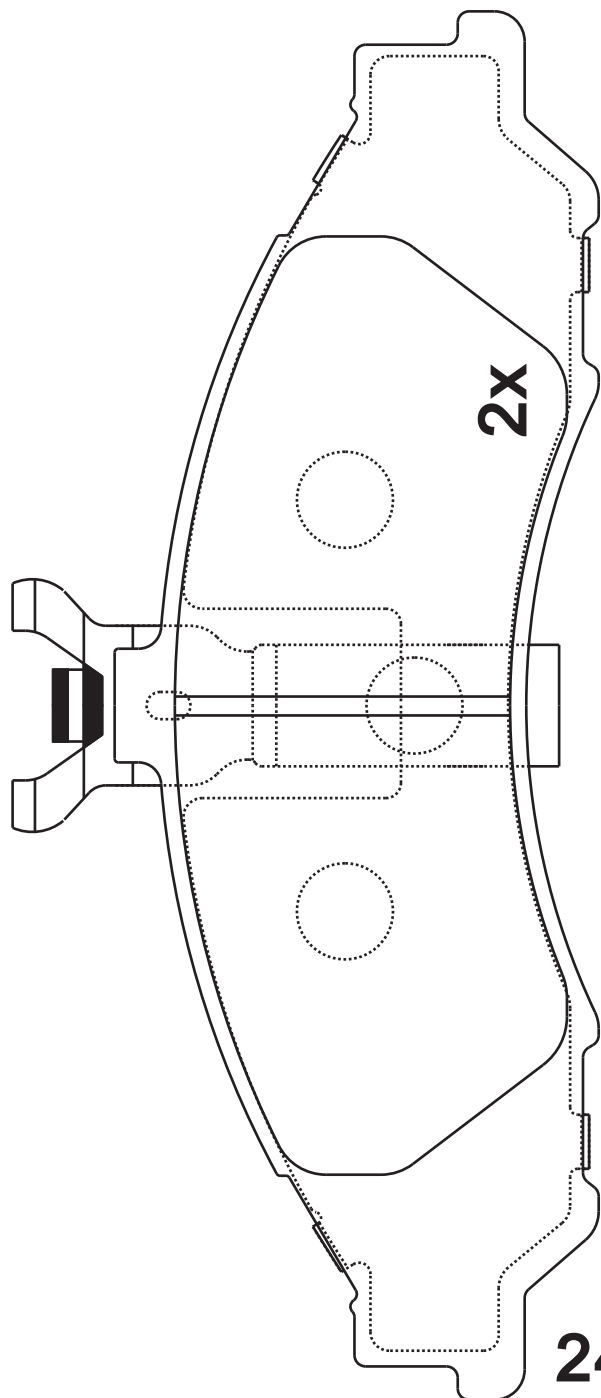
**Thickness
(mm)**

14.5



NOTE

2 identical;2 identical;



Apply for:

Renault Trafic II
Buick Royaum
Vauxhall Monaro

Van
Saloon
Saloon

03.01-
12.04-09.06
03.04-

SR0134.01

**Dimension
(mm)**

104.7×41.8

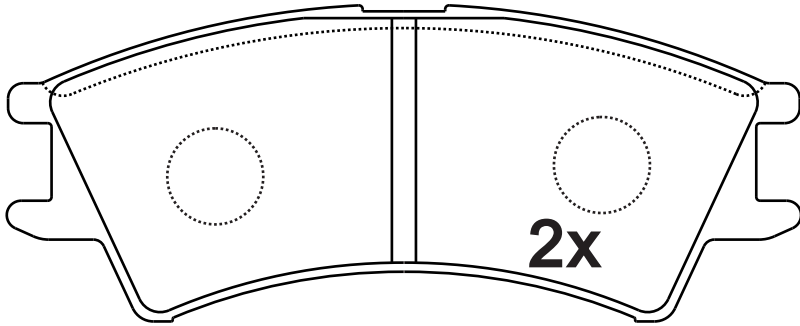
**Thickness
(mm)**

16.6

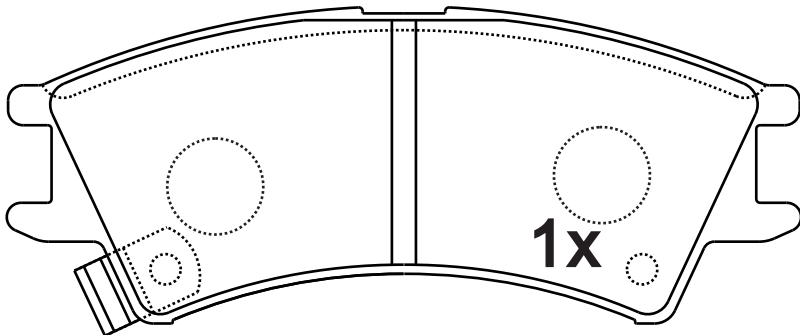


NOTE

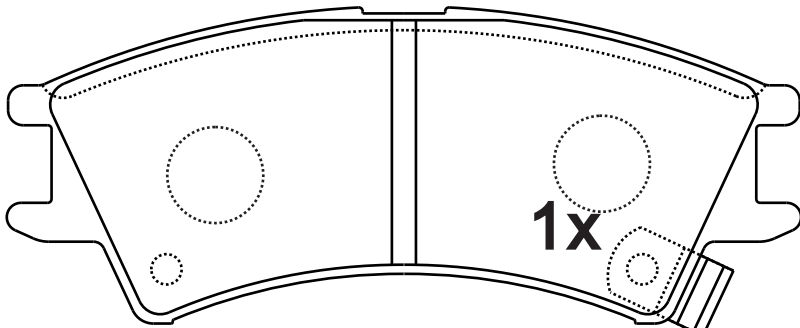
4 identical, 1 with acoustic indicator (left), 1 with acoustic indicator (right).



23238



23239



23240

Apply for:

Hyundai Atos

Hatchback

02.98-07.03

Hyundai Atos Prime

Hatchback

08.99-

SR0135.01

**Dimension
(mm)**

127.8×50.5

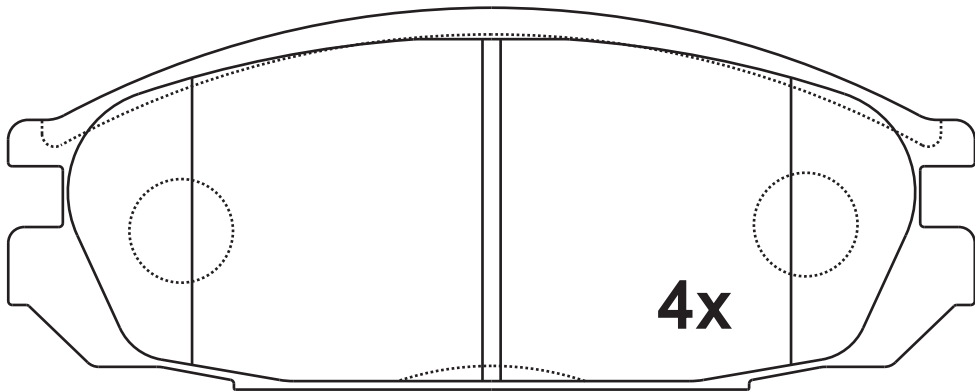
**Thickness
(mm)**

19



NOTE

4 identical;



20098

Apply for:

Nissan Vanette	Box	10.86-01.95
Nissan Vanette	Bus	10.86-12.95
Nissan Patrol GR I	Closed off-Road	09.88-06.97

SR0136.01

**Dimension
(mm)**

122.9×47.9

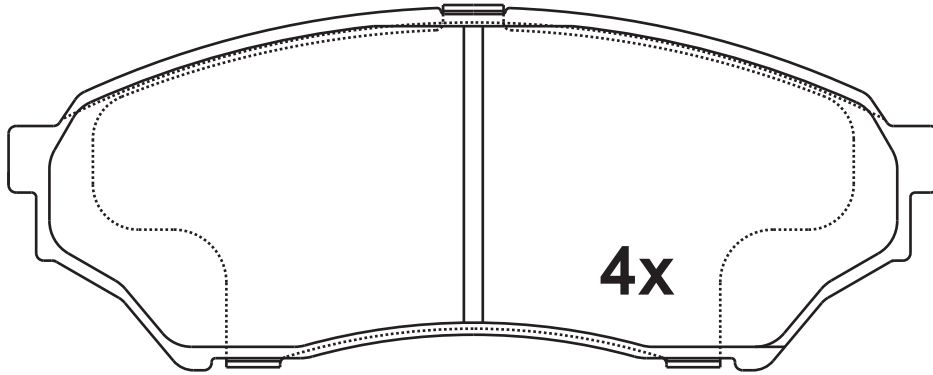
**Thickness
(mm)**

15

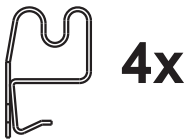


NOTE

4 identical;



23487



Apply for:

Mitsubishi Pajero Sport

Closed off-Road

03.01-02.05

SR0137.01

**Dimension
(mm)**

**Thickness
(mm)**

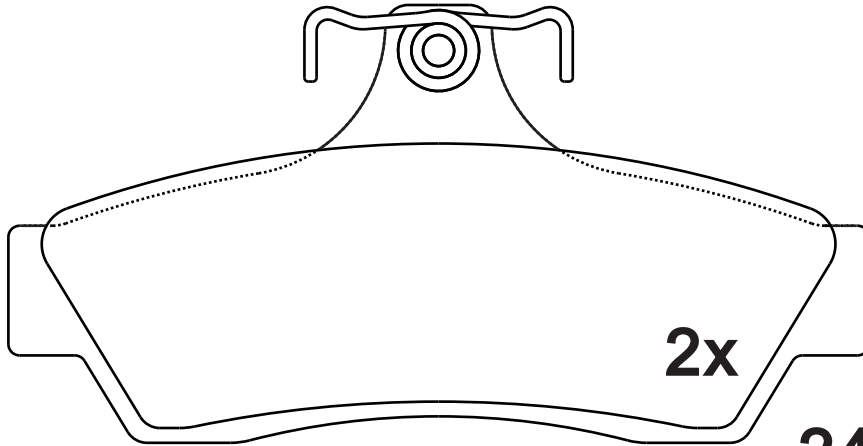


NOTE

2 identical;2 identical;

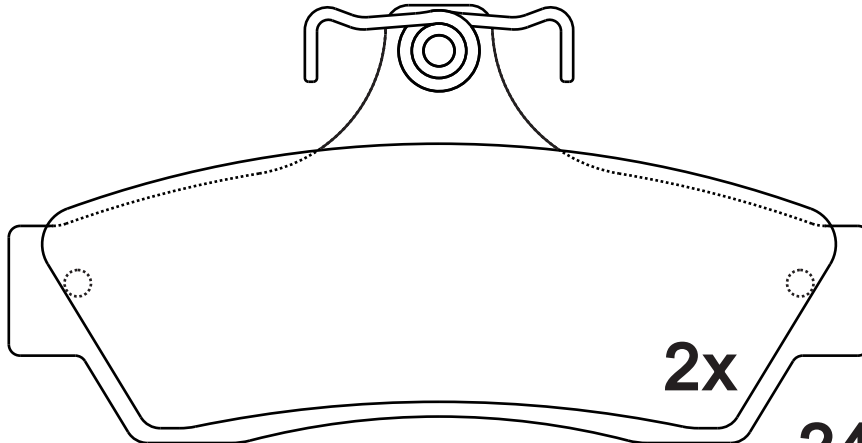
113.8×57.9

18.5



2x

24818



2x

24819

Apply for:

Vauxhall Monaro

Saloon

03.04-

SR0138.01

**Dimension
(mm)**

**Thickness
(mm)**

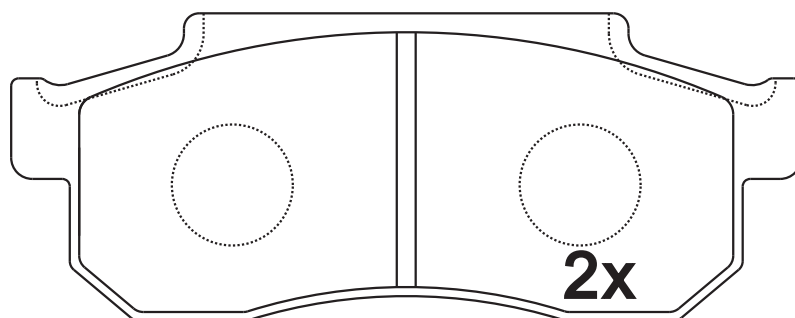


NOTE

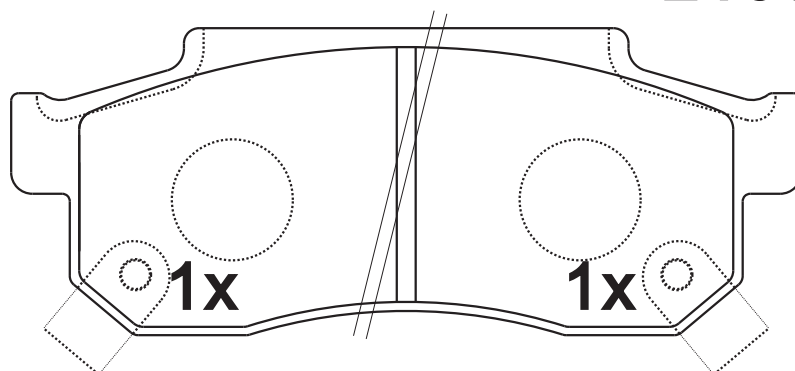
2 identical; 2 identical, 1 with acoustic indicator (right), 1 with acoustic indicator (left)

104.1×40.5

15



21005




Apply for:

Honda Beat
Honda Jazz I

Saloon
Saloon

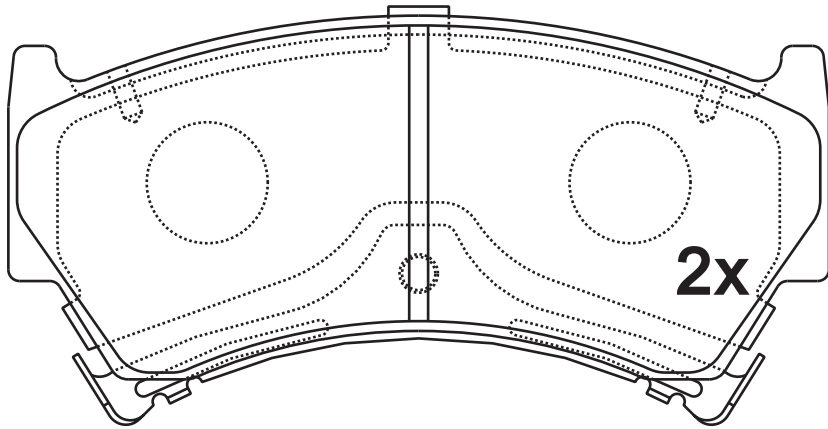
01.91-09.96
10.83-10.86

SR0139.01

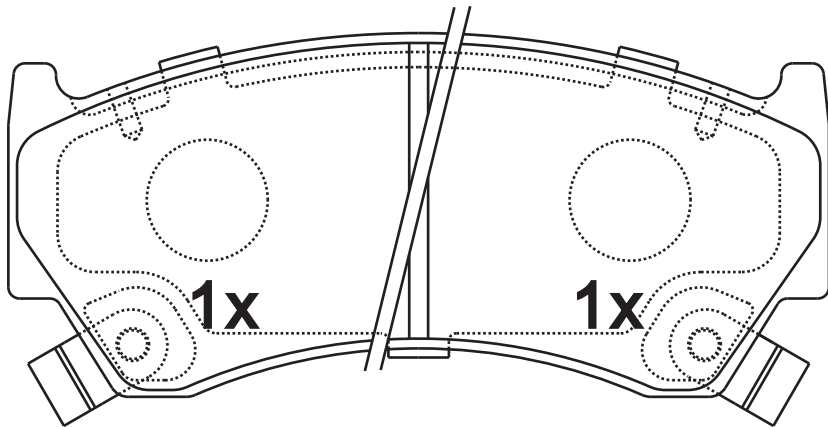
Dimension (mm)	Thickness (mm)	
108.5×48.1	15.5	

NOTE

4 identical, 1 with acoustic indicator (left), 1 with acoustic indicator (right).



24089



23006

23005



Apply for:

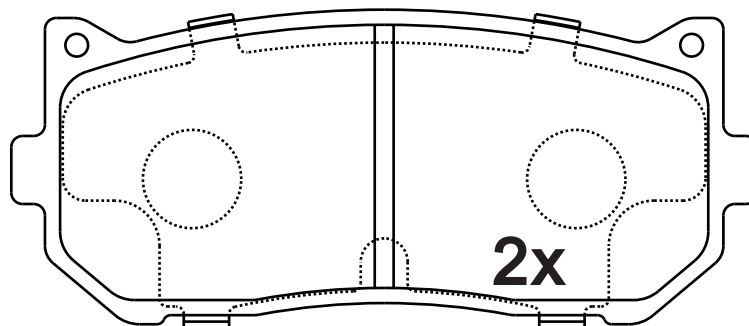
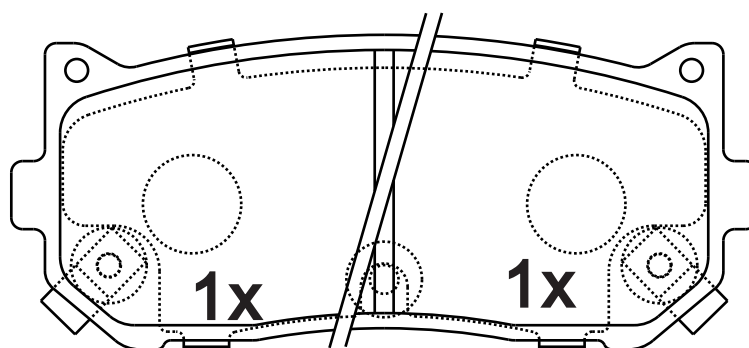
Nissan Almera I
Nissan Almera I

Saloon
Hatchback

07.95-07.00
07.95-03.00

SR0140.01

Dimension (mm)	Thickness (mm)		NOTE 4 identical, 1 with acoustic indicator (left), 1 with acoustic indicator (right).
98.6×41.6	13.7		

**23455****23457****23456****Apply for:**

Kia Carens I	MPV	11.00-07.02
Kia Carens II	MPV	07.02-
Kia Clarus	Saloon	07.96-
Kia Shuma	Hatchback	10.97-03.01
Kia Shuma	Saloon	10.97-10.01
Kia Shuma II	Hatchback	04.03-08.04
Kia Shuma II	Saloon	05.01-05.04

SR0141.01

**Dimension
(mm)**

105.5×42.9

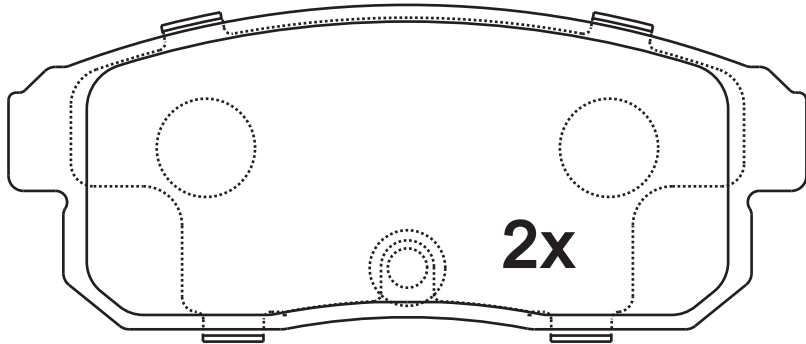
**Thickness
(mm)**

14.4

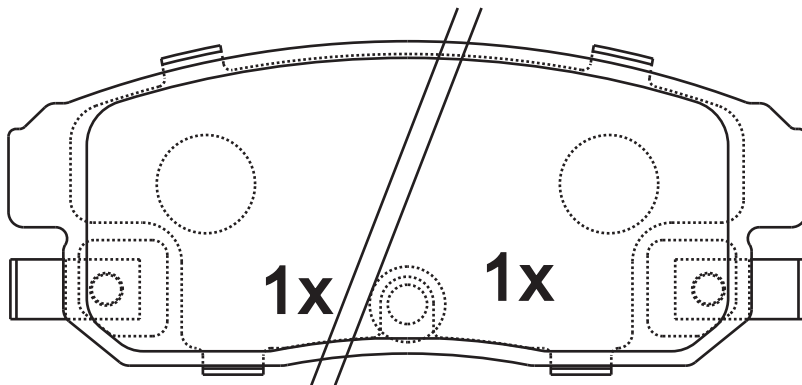


NOTE

4 identical, 1 with
acoustic indicator (left),
1 with acoustic indicator
(right).



24039



24040

24041

Apply for:

Mazda RX 8	Coupe	10.03-06.12
Nissan Bluebird	Saloon	04.00-12.06
Suzuki Ignis II	Closed off-Road	12.03-

SR0141.02

**Dimension
(mm)**

105.5×42.9

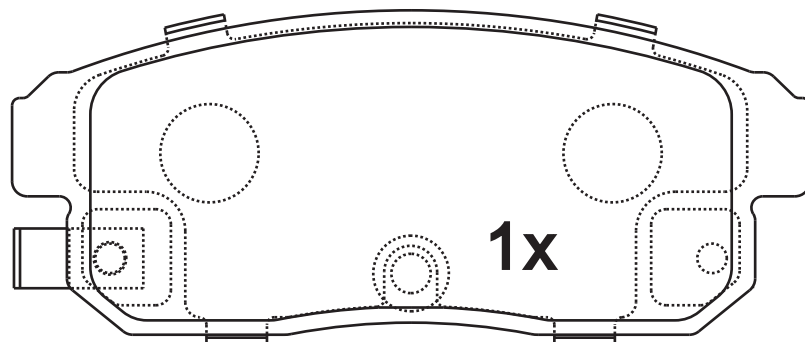
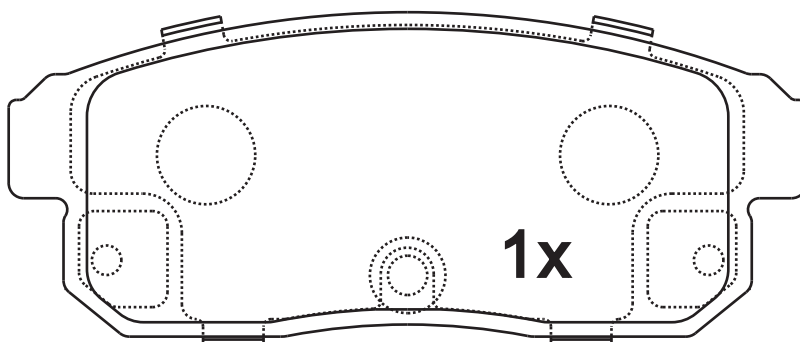
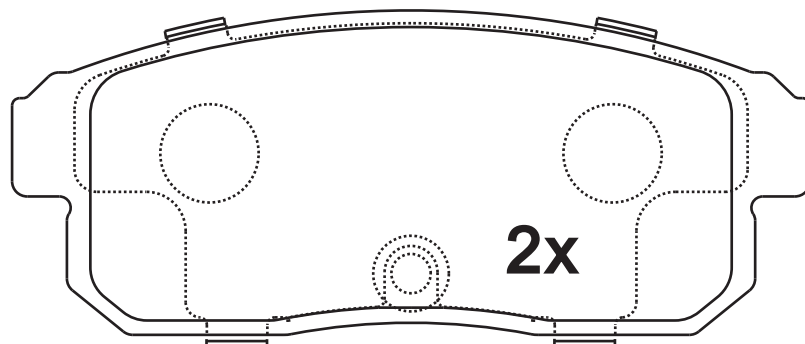
**Thickness
(mm)**

14.4



NOTE

4 identical, 1 with
acoustic indicator(left).



GDB3357

Apply for:

Mazda Rx-8
Nissan (Dongfeng) Bluebird (G10)
Suzuki Ignis I

2003/10-2012/06
2000/04-2006/12
2000/10-2005/12

SR0142.01

**Dimension
(mm)**

**Thickness
(mm)**

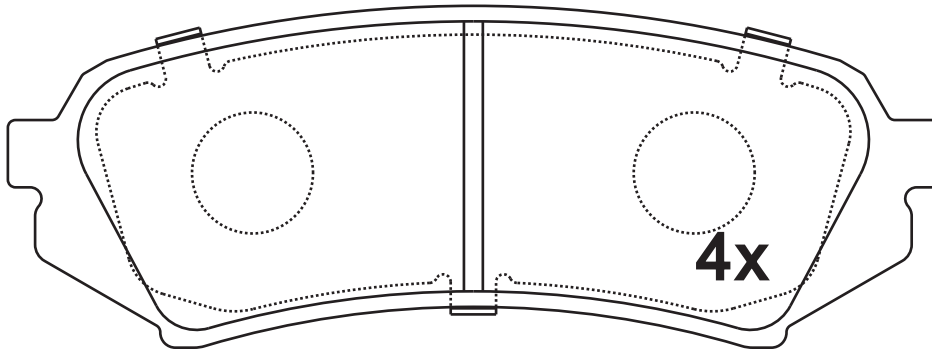


NOTE

4 identical;

123.1×45.2

17.3



23539

Apply for:

Lexus RX	Closed off-Road	05.03-12.08
Toyota Land Cruiser 100	Closed off-Road	10.03-04.07
Toyota Prado	Closed off-Road	01.98-

SR0143.01

**Dimension
(mm)**

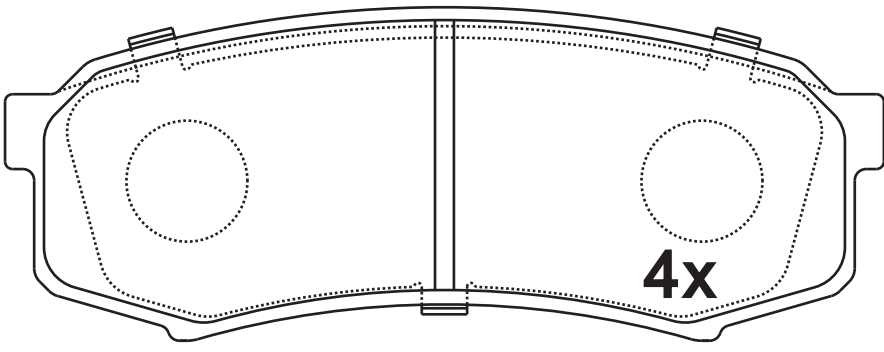
116.2×44.1

**Thickness
(mm)**

15.4



NOTE
4 identical;




21947

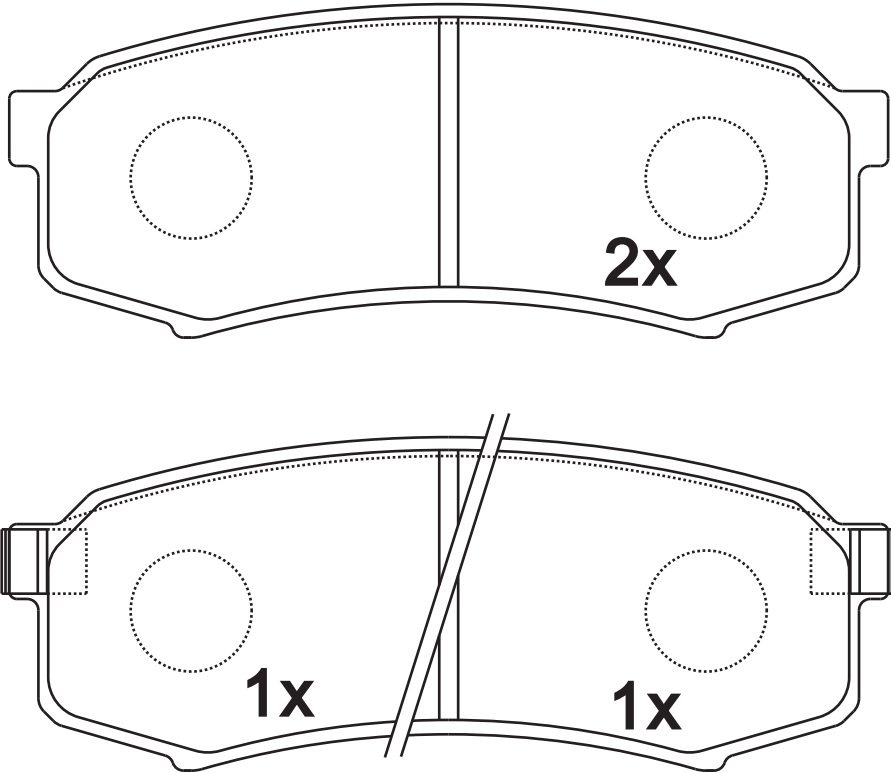
Apply for:

- | | | |
|---------------------------|-----------------|-------------|
| Mitsubishi Pajero IV | Closed off-Road | 02.07- |
| Toyota Land Cruiser | Closed off-Road | 12.88- |
| Toyota Land Cruiser 80 | Closed off-Road | 01.90-12.97 |
| Toyota Land Cruiser Prado | Closed off-Road | 04.96- |

SR0143.02

Dimension (mm)	Thickness (mm)	
116.2×44.1	15.4	

NOTE
4 identical;



21947

Apply for:

Baw Luba
Faw Jilin Jiabao Av6 Bus
Landwind (Jmc) X5 Closed Off-Road Vehicle
Lexus Gx

2003/06-
2004/06-
2013/01-
2001/11-2009/11

SR0144.01

**Dimension
(mm)**

**Thickness
(mm)**



NOTE

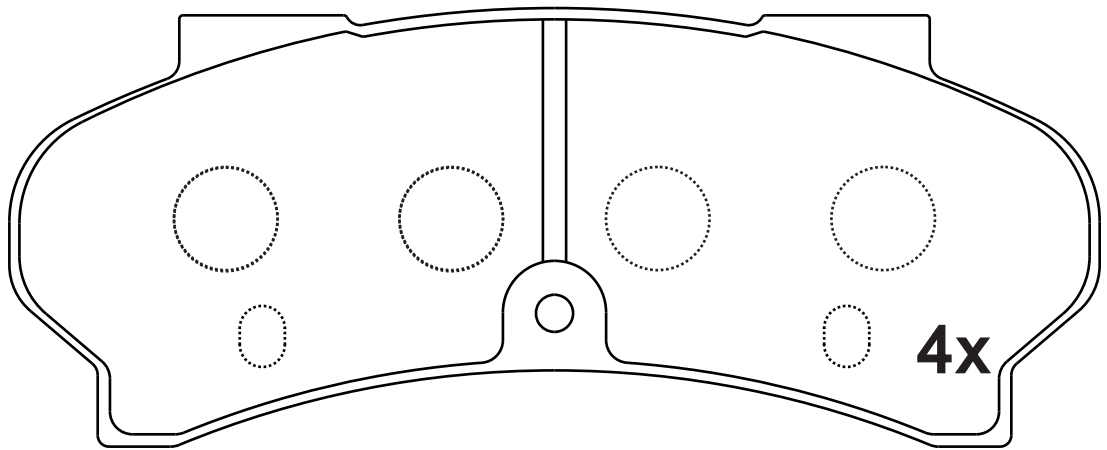
4 identical;

144.2×58

15



无模具



2x

20366

Apply for:

Peugeot J7	Bus	08.68-03.80
Peugeot J7	Box	08.68-03.80
Peugeot J7	Platform	08.68-03.80
Peugeot J9	Box	03.80-06.87
Peugeot J9	Bus	03.80-06.87
Peugeot J9	Platform	03.80-06.87

SR0145.01

**Dimension
(mm)**

**Thickness
(mm)**

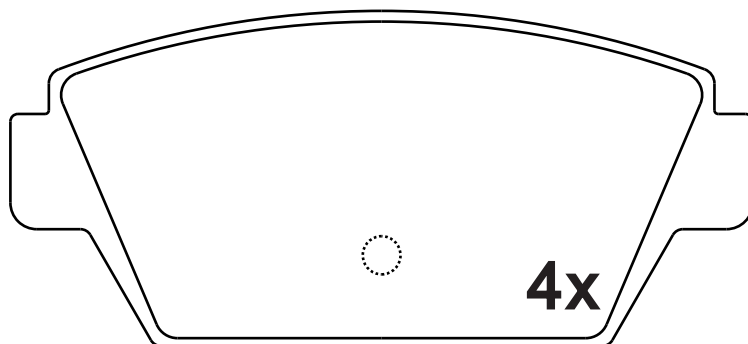


NOTE

4 identical;

98.2×44.3



14.5



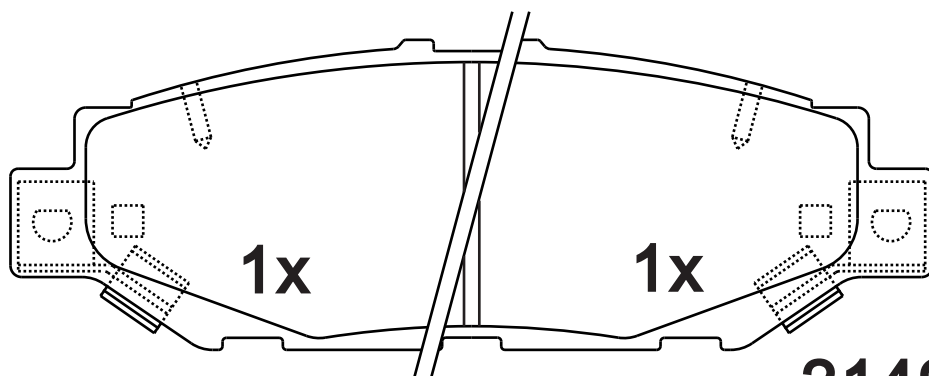
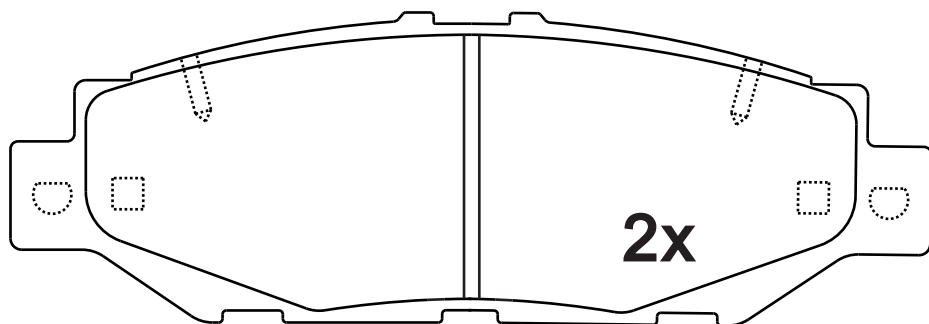
21125

Apply for:

Mitsubishi Lancer IV	Hatchback	05.88-11.93
Mitsubishi Colt III	Hatchback	04.88-05.90
Mitsubishi Eclipse I	Coupe	04.91-11.95
Mitsubishi Galant III	Saloon	06.84-12.87
Mitsubishi Galant IV	Hatchback	11.88-10.92
Mitsubishi Galant IV	Saloon	11.87-10.92

SR0146.01	Dimension (mm)	Thickness (mm)		NOTE
	122×41	15.5		4 identical, 1 with acoustic indicator (left), 1 with acoustic indicator (right).

无模具



21491

Apply for:

Lexus GS	Saloon	03.93-08.97
Toyota Aristo	Saloon	10.90-09.96
Toyota Crown	Saloon	08.91-08.99
Toyota Supra	Coupe	05.93-08.98

SR0147.01

**Dimension
(mm)**

122.8×41.5

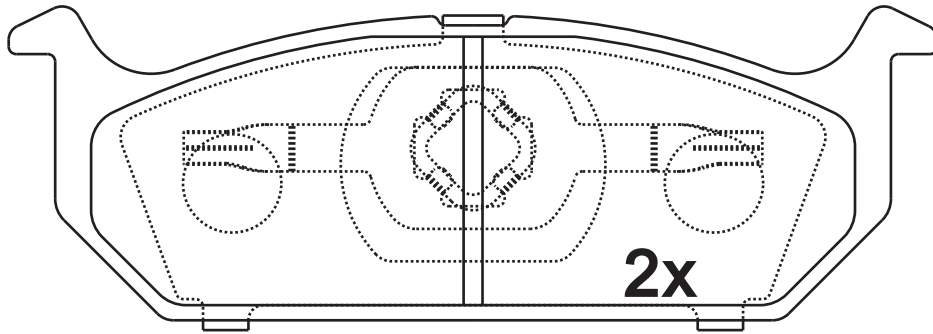
**Thickness
(mm)**

15

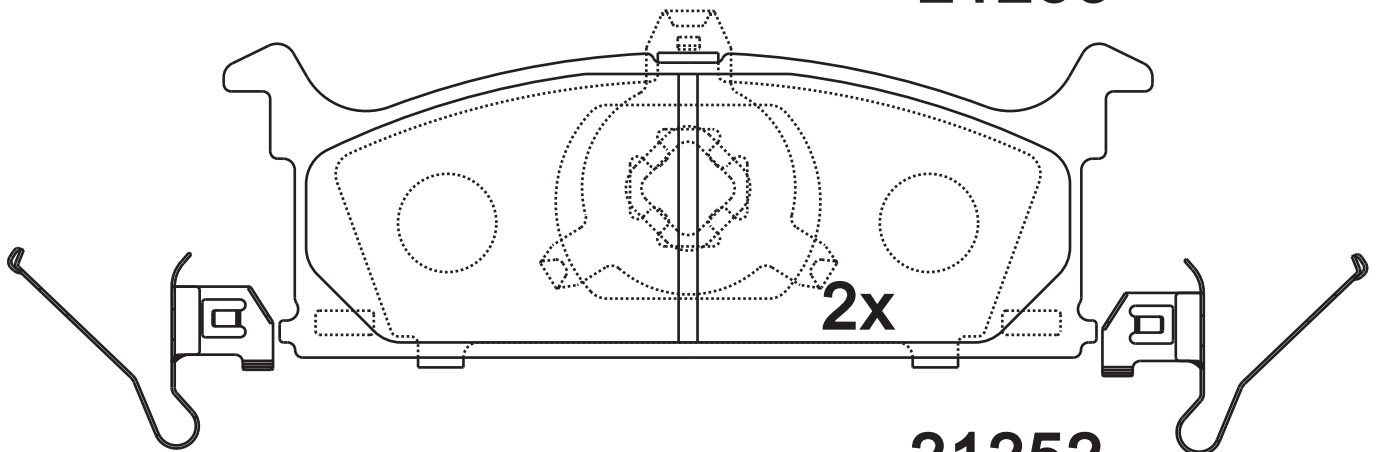


NOTE

2 identical;2 identical;



21253



21252

Apply for:

Suzuki Alto MK II	Saloon	09.85-11.93
Suzuki SJ 410	Saloon	09.81-12.88
Suzuki SJ 413	Saloon	09.84-08.90
Suzuki Swift	Saloon	10.83-12.89

SR0148.01

**Dimension
(mm)**

**Thickness
(mm)**



NOTE

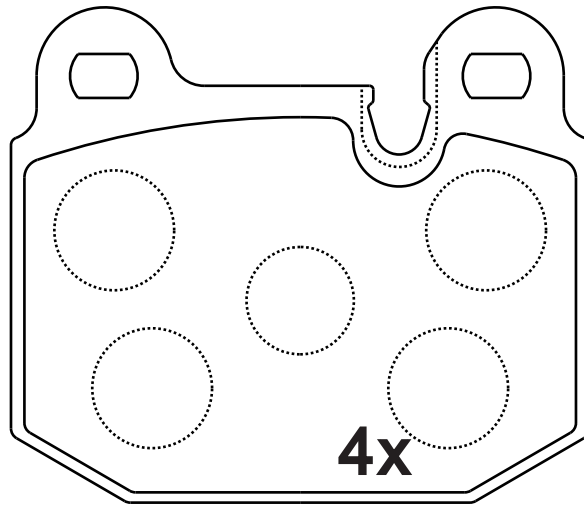
4 identical;

76.5×65.5

16.5



无模具



20588

Apply for:

BMW 3
BMW M1

Saloon
Saloon

05.75-03.92
05.79-05.83

SR0148.02

**Dimension
(mm)**

**Thickness
(mm)**



NOTE

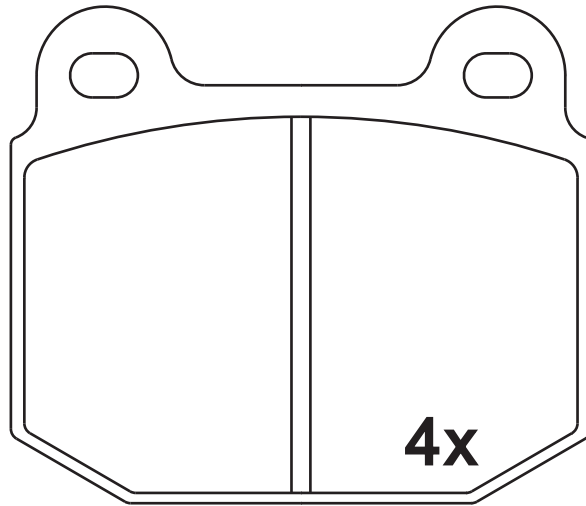
4 identical;

76.8×65.8

16.5



无磨具



20323

Apply for:

Opel Speedster
Vauxhall Vx220 Convertible

2000/06-2006/08
2000/09-2005/07

SR0148.03

**Dimension
(mm)**

**Thickness
(mm)**



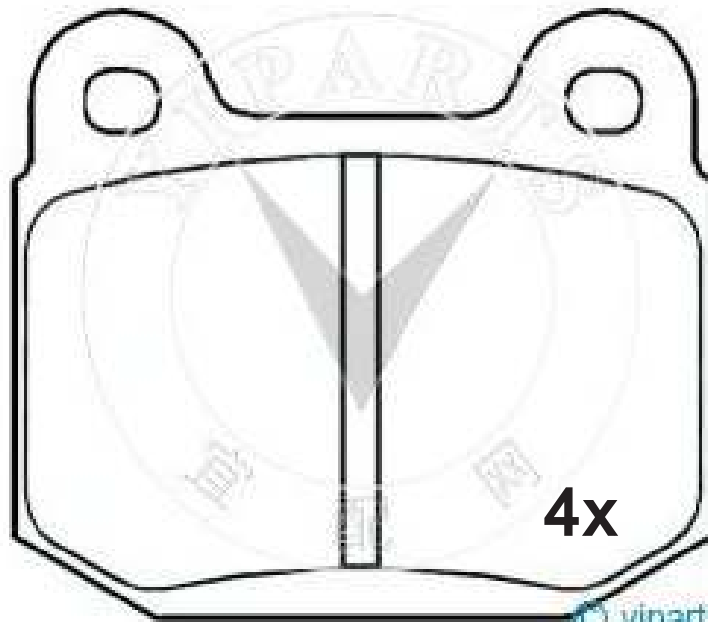
NOTE

4 identical;

76.7×65.2

14.4

无磨具



20323

Apply for:

LOTUS Elise 2001-2005

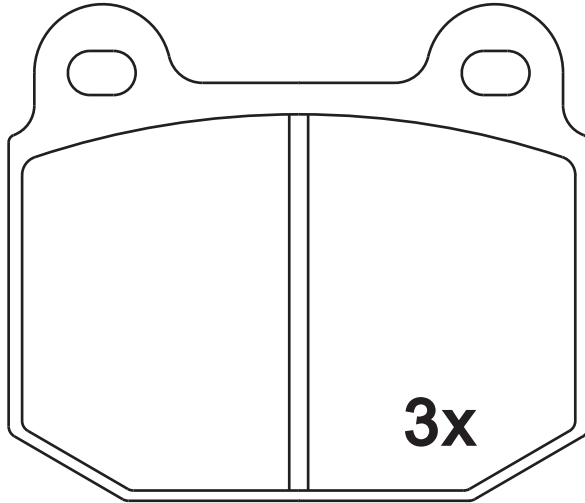
LOTUS Elise 2010-2011

LOTUS Exige 2010-2011

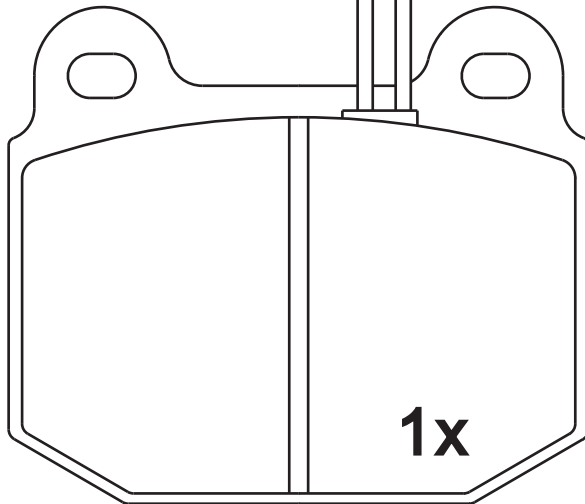
SR0148.04

Dimension (mm)	Thickness (mm)	
76.7×65.2	16.5	

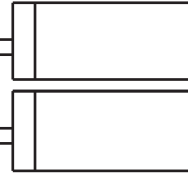
NOTE
4 identical;1 with warn contact



20997



20998



Apply for:

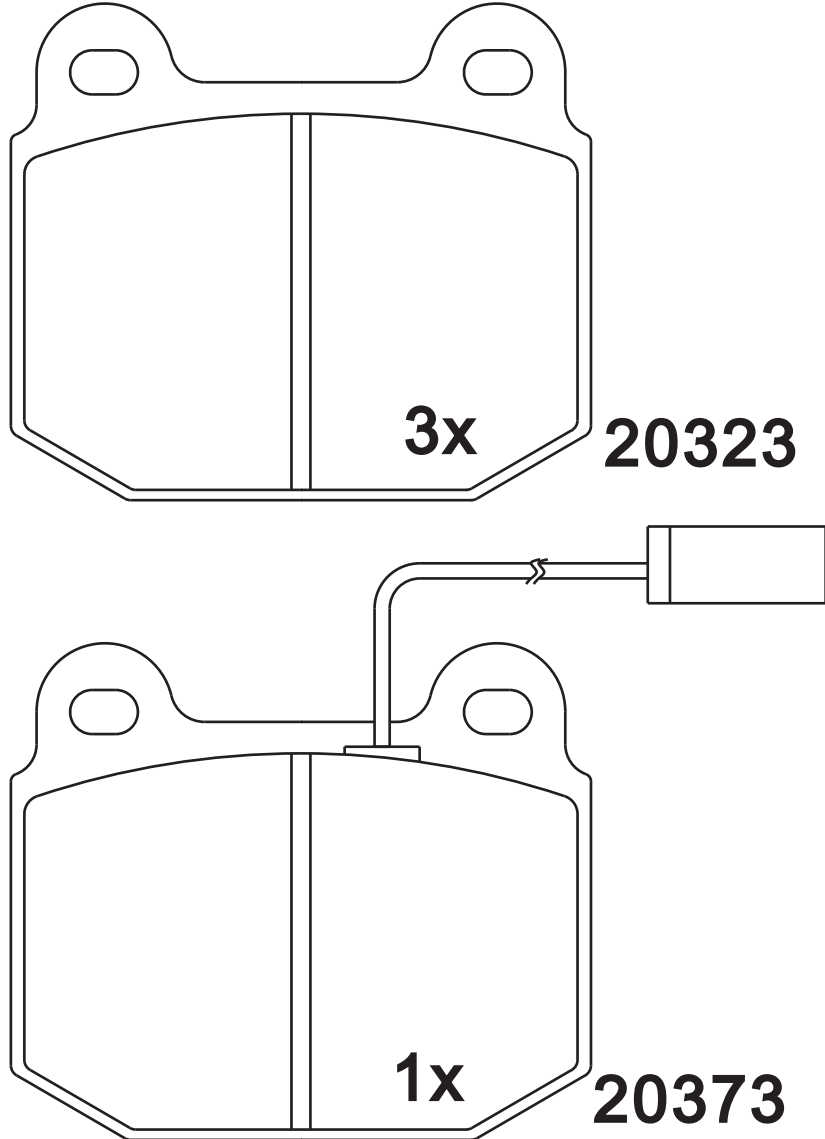
Alfa Romeo 75
Alfa Romeo 90
Alfa Romeo Alfetta

1985/05-1992/12
1984/09-1987/11
1974/07-1984/12

SR0148.05

Dimension (mm)	Thickness (mm)	
76.7×65.2	16.5	

NOTE
4 identical;1 with warn contact



Apply for:
Alfa Romeo 75

1985/05-1992/12

SR0149.01

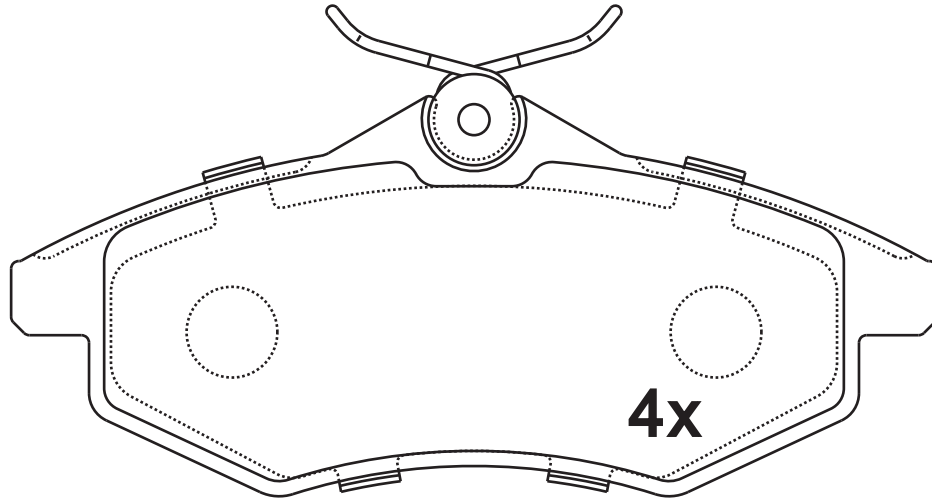
**Dimension
(mm)**

**Thickness
(mm)**



NOTE

4 identical;



23407

Apply for:

Citroen C2	Hatchback	09.03-
Citroen C3 I	Hatchback	02.02-

SR0149

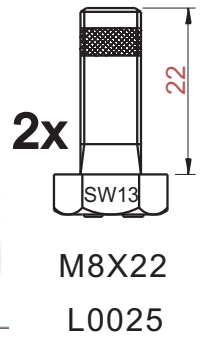
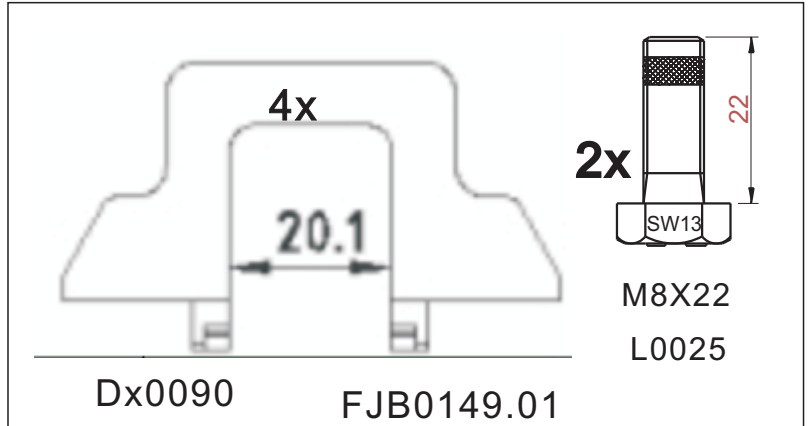
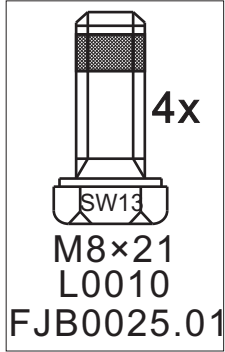
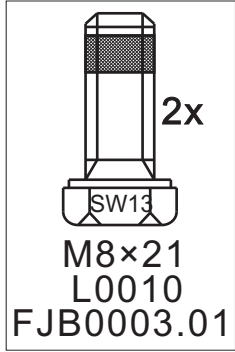
**Dimension
(mm)**

**Thickness
(mm)**



NOTE

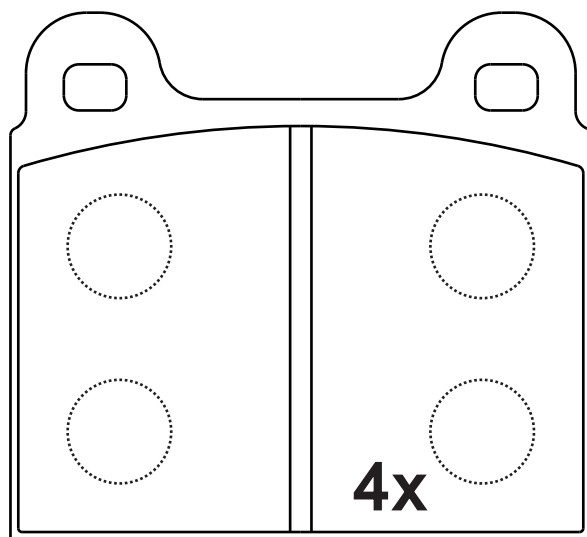
附件包
Accessory bag



SR0150.01**Dimension
(mm)****Thickness
(mm)****NOTE****4 identical;**

76.8×70

18.5

**20011****Apply for:**

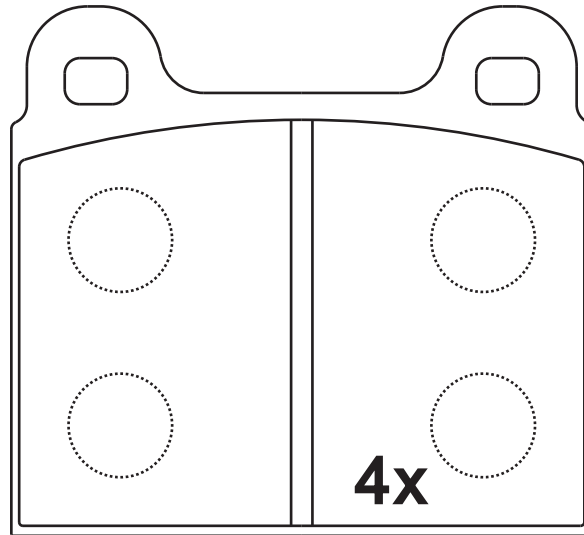
Volkswagan Transporter II	Box	08.79-07.79
Volkswagan Transporter II	Bus	08.79-07.79
Volkswagan Transporter III	Box	05.79-12.92
Volkswagan Transporter III	Bus	05.79-07.92
Mercedes 8	Saloon	01.68-01.77
Mercedes 8	Coupe	04.69-11.76
Mercedes Coupe	Coupe	01.61-12.71
Mercedes Heckflosse	Saloon	08.59-02.68
Mercedes Pagode	Convertible	01.63-03.71
Mercedes S-class	Saloon	01.66-08.72
Mercedes SL	Coupe	01.72-02.80

SR0150.02**Dimension
(mm)**

76.8×70

**Thickness
(mm)**

15

**NOTE****4 identical;****20011****Apply for:**

Volkswagan Transporter II	Box	08.79-07.79
Volkswagan Transporter II	Bus	08.79-07.79
Volkswagan Transporter III	Box	05.79-12.92
Volkswagan Transporter III	Bus	05.79-07.92
Mercedes 8	Saloon	01.68-01.77
Mercedes 8	Coupe	04.69-11.76
Mercedes Coupe	Coupe	01.61-12.71
Mercedes Heckflosse	Saloon	08.59-02.68
Mercedes Pagode	Convertible	01.63-03.71
Mercedes S-class	Saloon	01.66-08.72
Mercedes SL	Coupe	01.72-02.80

SR0151.01

**Dimension
(mm)**

**Thickness
(mm)**

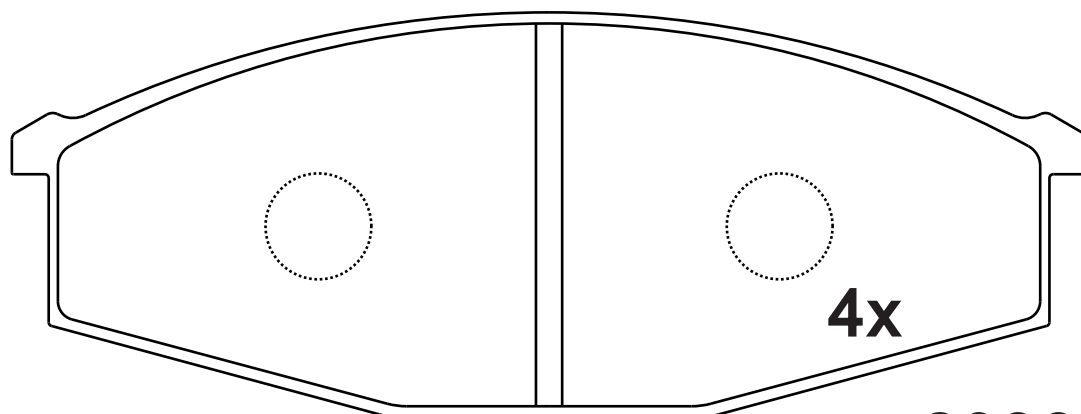


NOTE

4 identical;

142.1×53.5

17



20863

Apply for:

Nissan Patrol GR I

Saloon

08.87-02.98

Nissan Patrol

Hardtop

11.79-04.98

Nissan Patrol

Station Wagon

11.79-11.95

SR0152.01

**Dimension
(mm)**

156×62

**Thickness
(mm)**

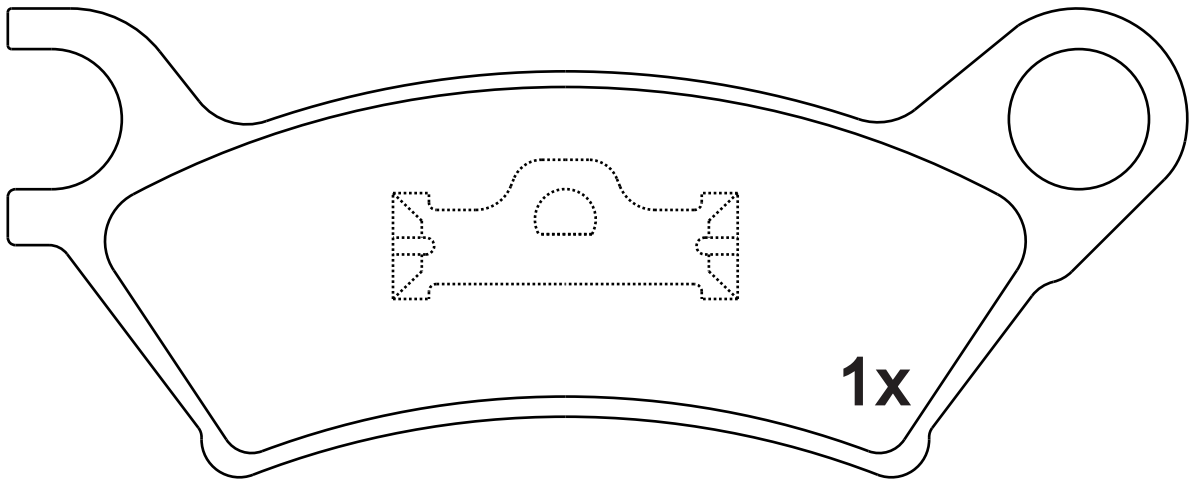
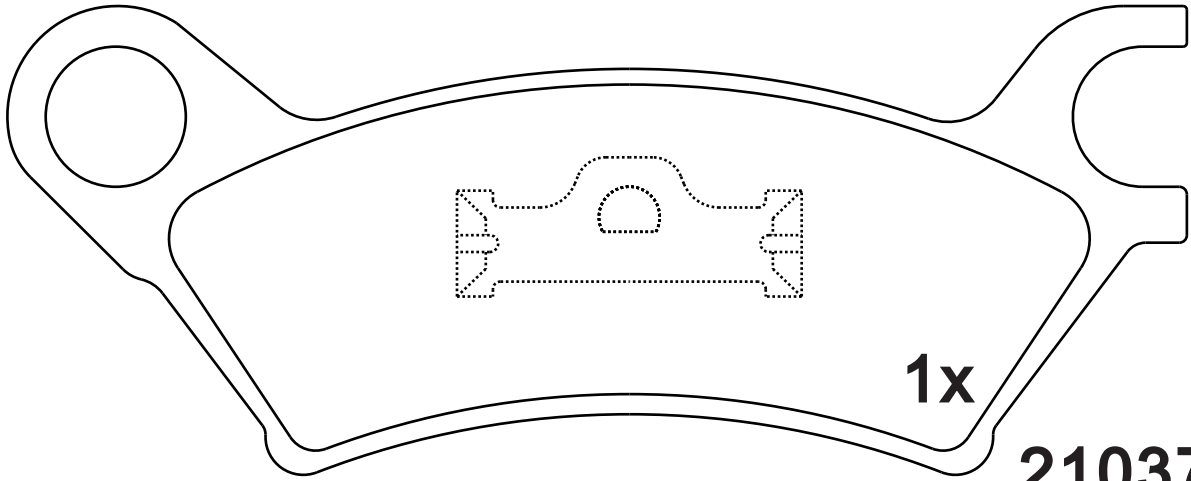
15



NOTE

2 identical with spring;
2 identical with spring.

无模具



.....Next Page

SR0152.01

**Dimension
(mm)**

156×62

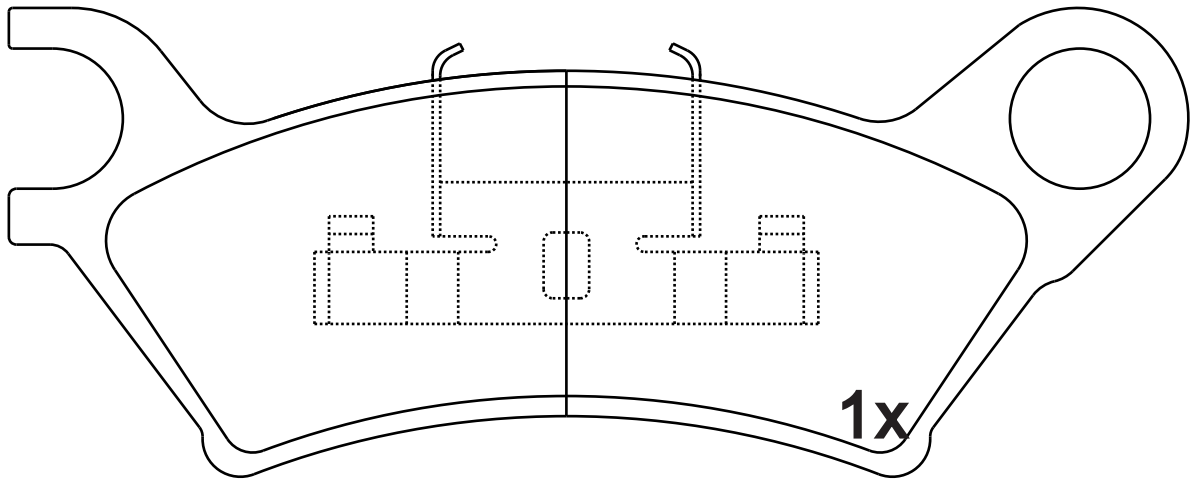
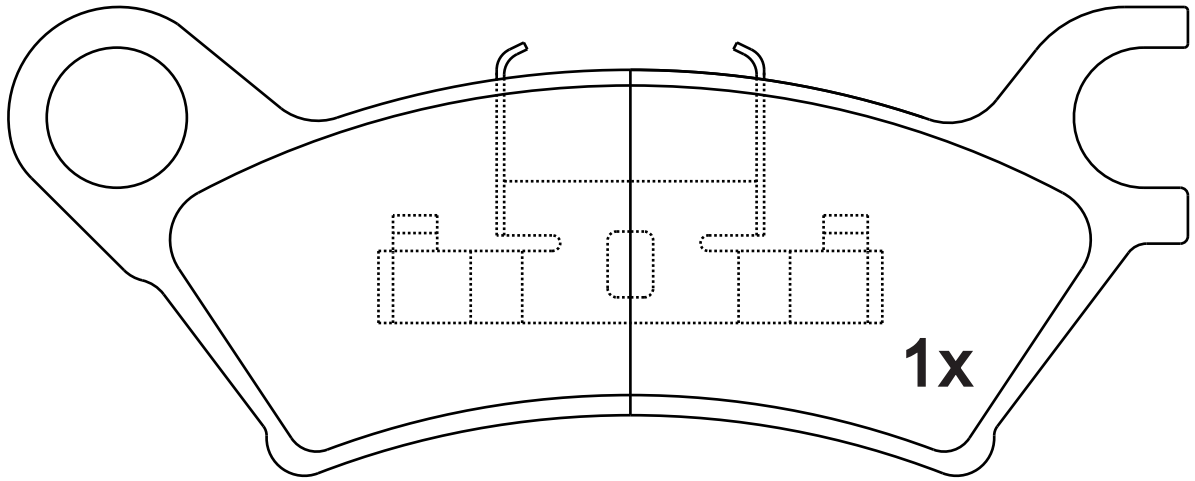
**Thickness
(mm)**

15



NOTE

**2 identical with spring;
2 identical with spring.**



Apply for:

Mazda 929 MK II
Mazda 929 MK II
Mazda 929 MK II
Mazda 929

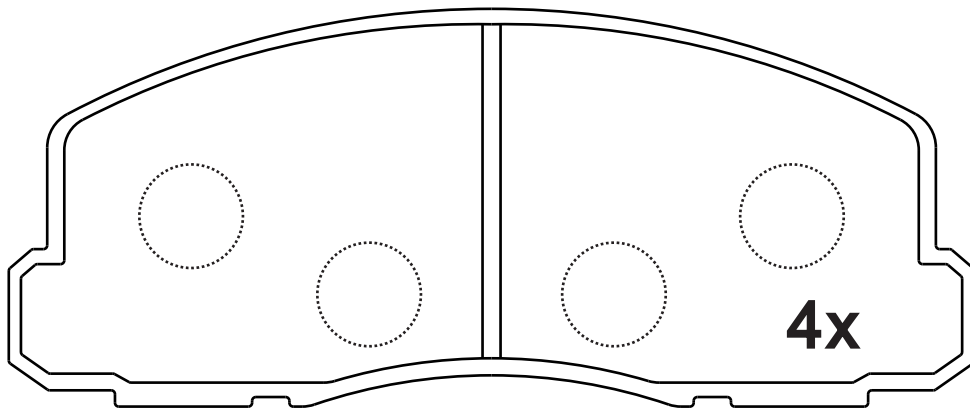
Saloon
Coupe
Estate
Saloon

12.81-09.87
12.81-09.87
01.83-12.87
09.78-07.86

SR0153.01**Dimension
(mm)****Thickness
(mm)****NOTE****4 identical;**

127.7×52.6

15.2

**20955****Apply for:**

Mitsubishi Lancer IV	Saloon	05.88-05.90
Mitsubishi Lancer IV	Hatchback	05.88-05.90
Mitsubishi Eclipse II	Coupe	12.95-04.99
Mitsubishi Space Wagon	MPV	09.88-04.91
Mitsubishi Colt I	Hatchback	09.81-01.84
Mitsubishi Colt II	Hatchback	02.84-04.88
Mitsubishi Colt III	Hatchback	04.88-05.92
Mitsubishi Cordia	Coupe	10.82-12.86
Mitsubishi Galant III	Saloon	06.84-12.87
Mitsubishi Galant IV	Hatchback	11.88-12.92
Mitsubishi Galant IV	Saloon	03.83-10.92
Mitsubishi Tredia	Saloon	09.82-07.86

SR0154.01

**Dimension
(mm)**

160.2×55.8

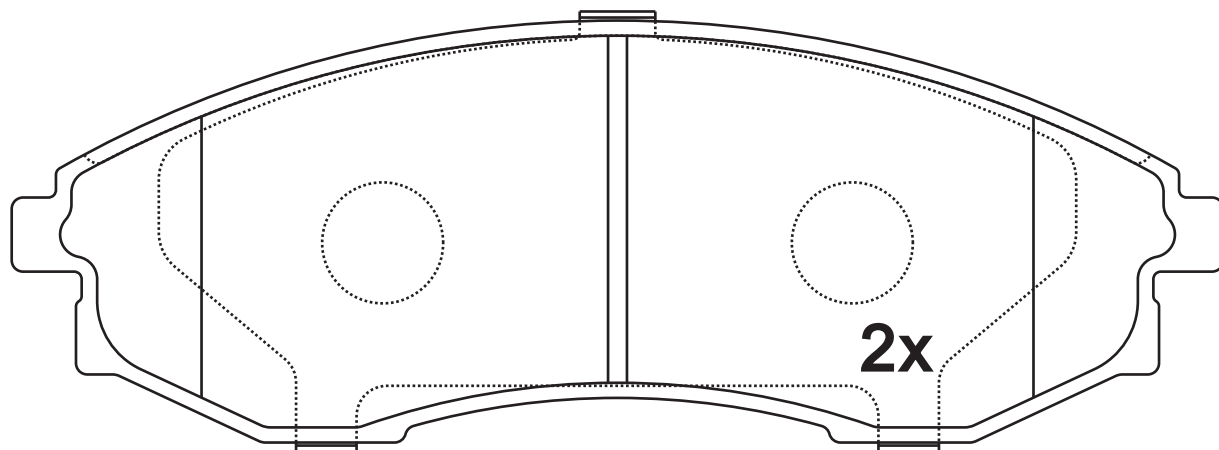
**Thickness
(mm)**

16.5

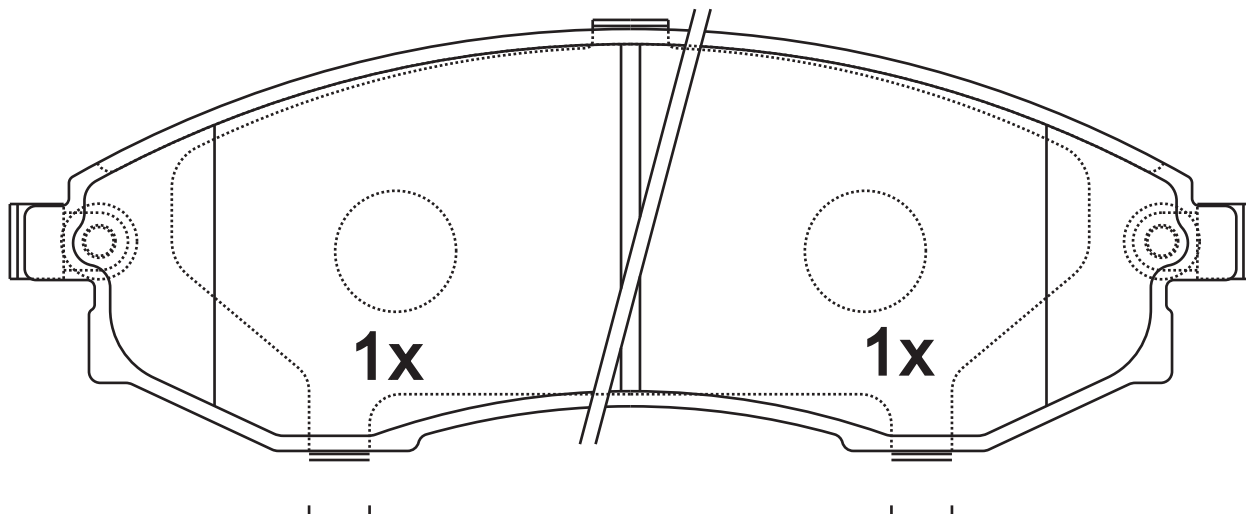


NOTE

4 identical, 1 with acoustic indicator(left), 1 with acoustic indicator(right).



GDB7614



Apply for:

Ssangyong Istana
Hyundai Grandeur 3.5

SR0155.01

**Dimension
(mm)**

133×51.9

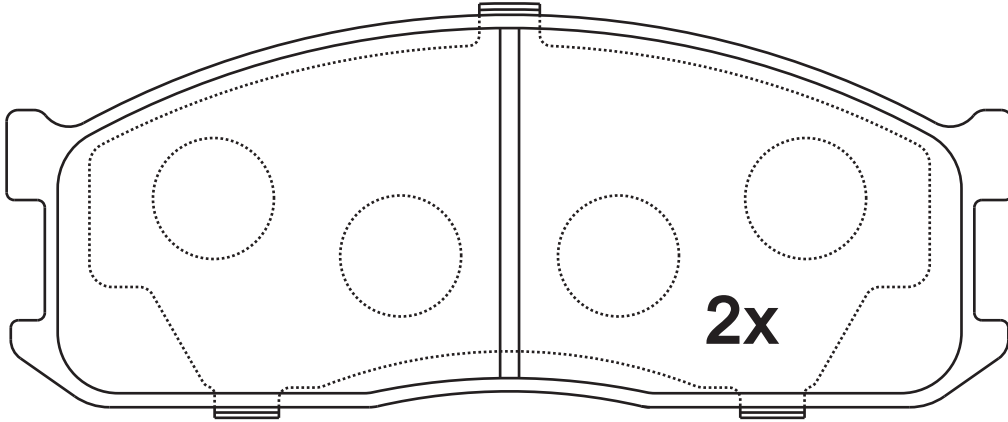
**Thickness
(mm)**

15

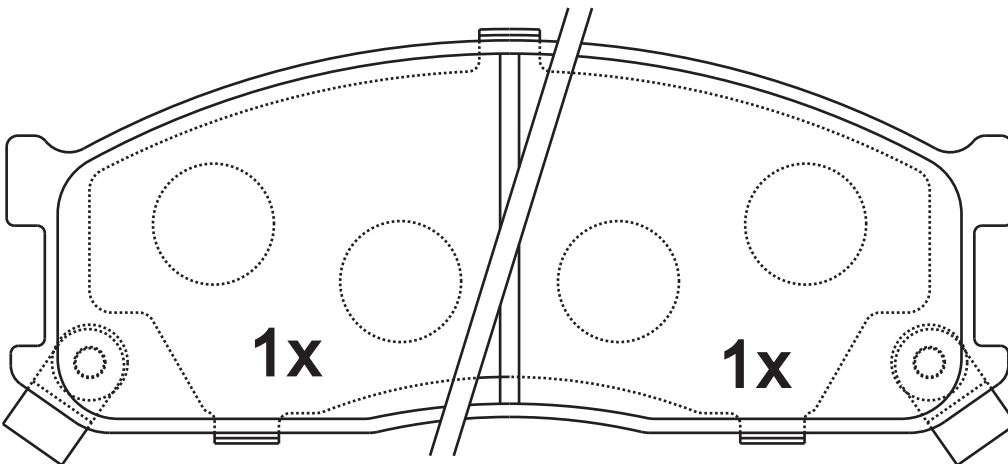


NOTE

4 identical, 1 with
acoustic indicator (left),
1 with acoustic indicator
(right).



20002



20192

20191

Apply for:

Ford Econovan
Kia Besta
Mazda E-serie
Mazda E-serie
Mazda E-serie
Mazda E-serie

Box
Box
Box
Bus
MPV
Platform

05.85-03.92
02.96-
01.84-07.04
01.84-05.03
06.95-09.99
01.83-07.99

SR0156.01

**Dimension
(mm)**

135.2×48.2

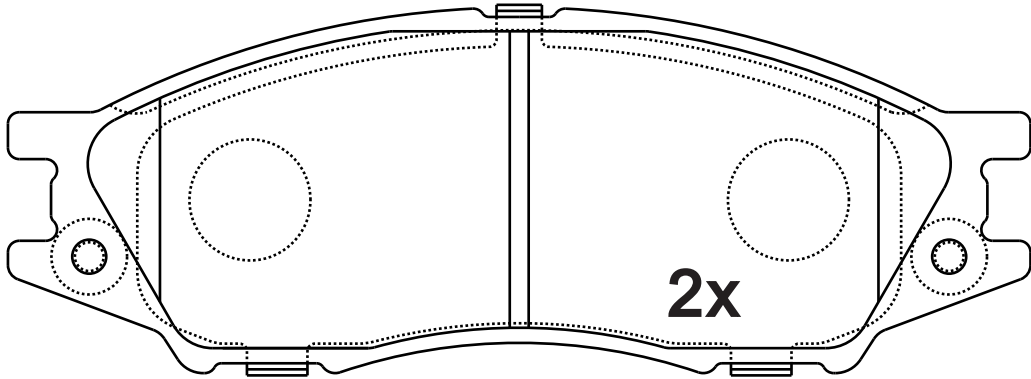
**Thickness
(mm)**

16

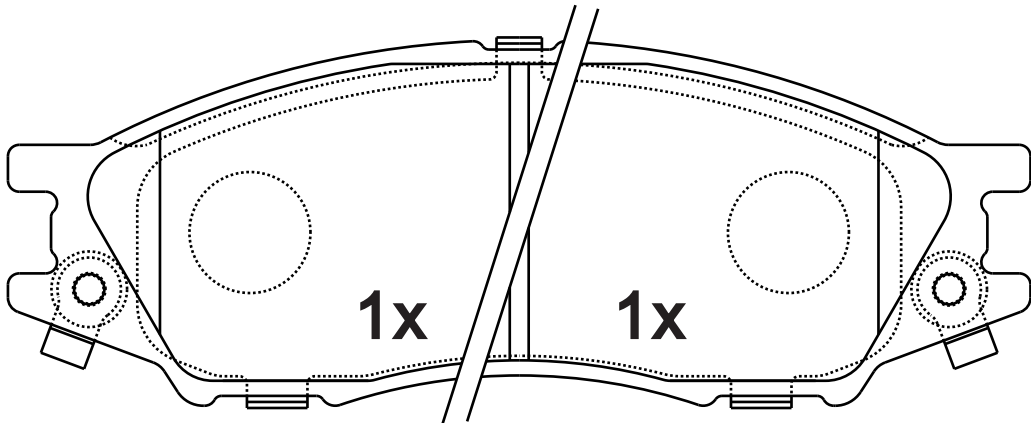


NOTE

4 identical, 1 with acoustic indicator (left), 1 with acoustic indicator (right).



24647



24649

24648

Apply for:

Nissan Sunny	Saloon	01.00-09.03
Nissan Almera II	Saloon	10.02-
Nissan Almera II	Hatchback	10.02-

SR0156.02

**Dimension
(mm)**

135.2×48.2

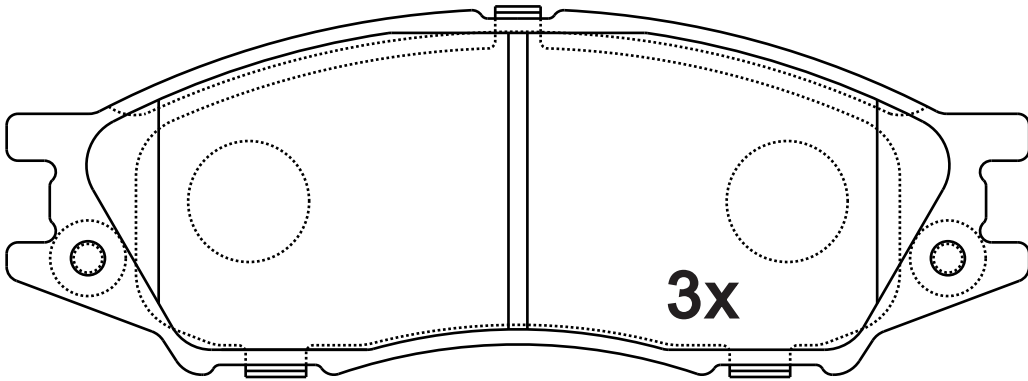
**Thickness
(mm)**

16

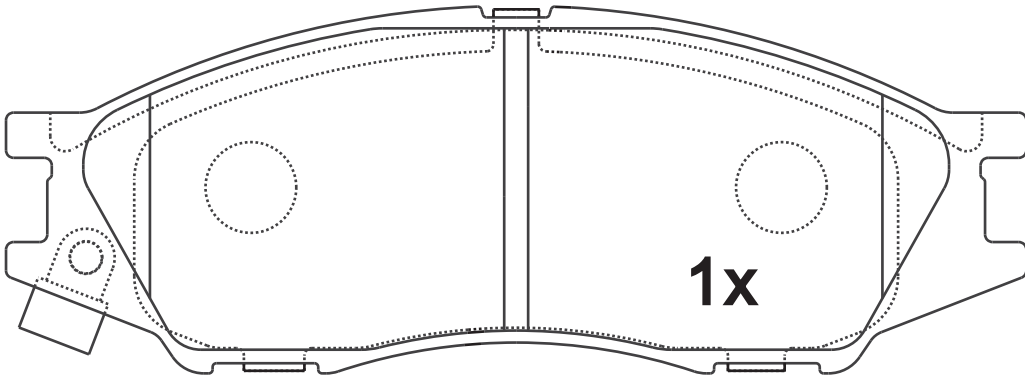


NOTE

**4 identical, 1 with
acoustic indicator (left).**



24647



24649

Apply for:

Nissan Sunny	Saloon	01.00-09.03
Nissan Almera II	Saloon	10.02-
Nissan Almera II	Hatchback	10.02-

SR0157.01

**Dimension
(mm)**

99.5×44

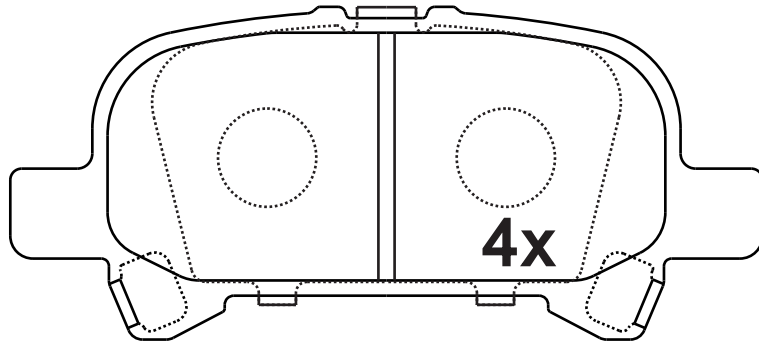
**Thickness
(mm)**

15.4



NOTE

4 identical;



24835

Apply for:

Toyota Pronard

Saloon

08.01-10.04

SR0158.01

**Dimension
(mm)**

140.2×51

**Thickness
(mm)**

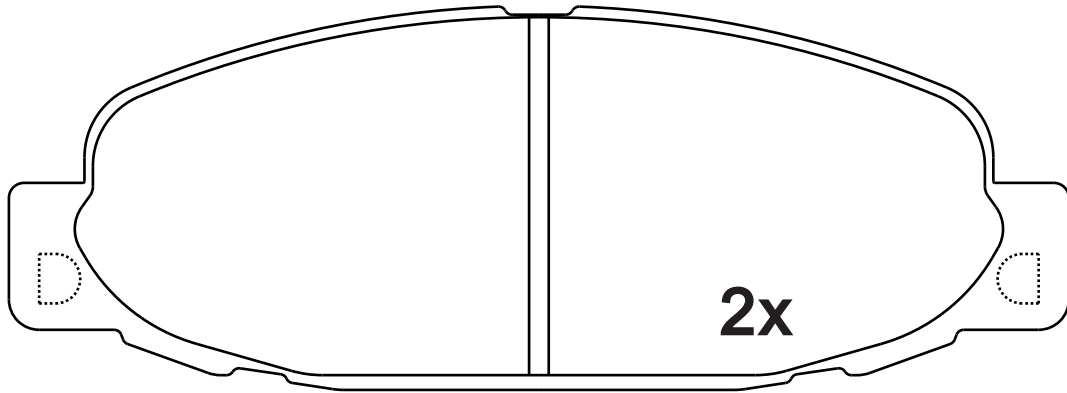
18



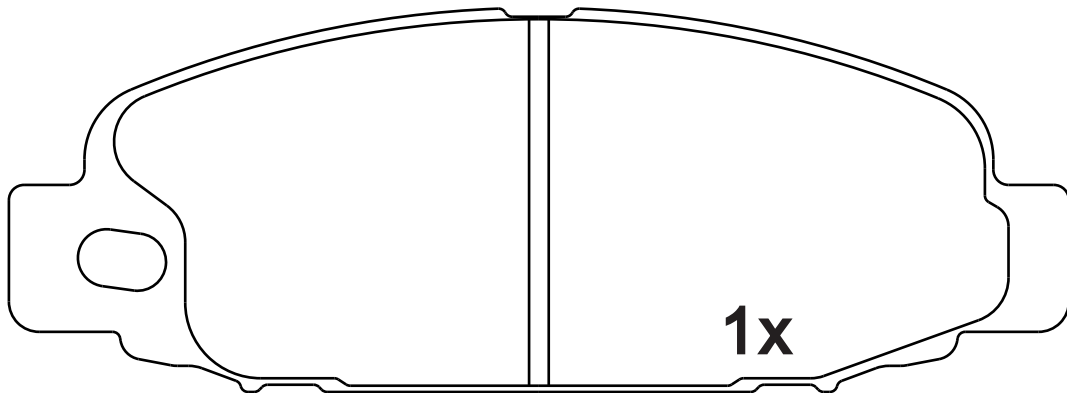
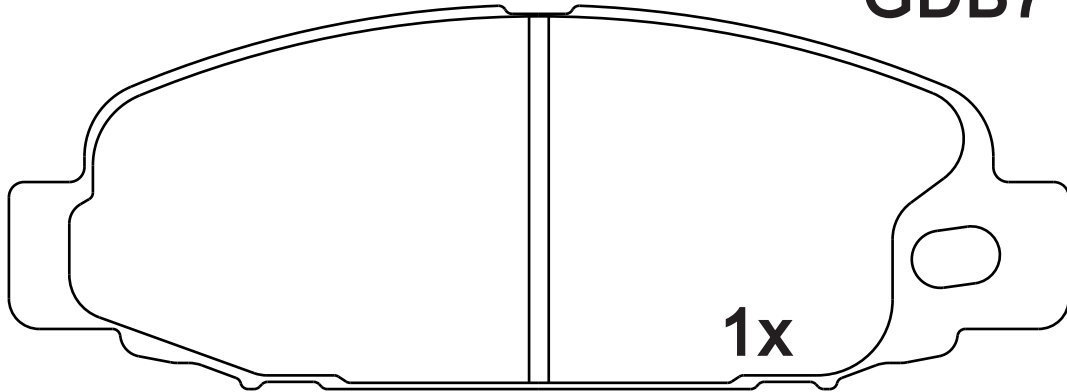
NOTE

2 identical;2 identical;

无模具





GDB7104

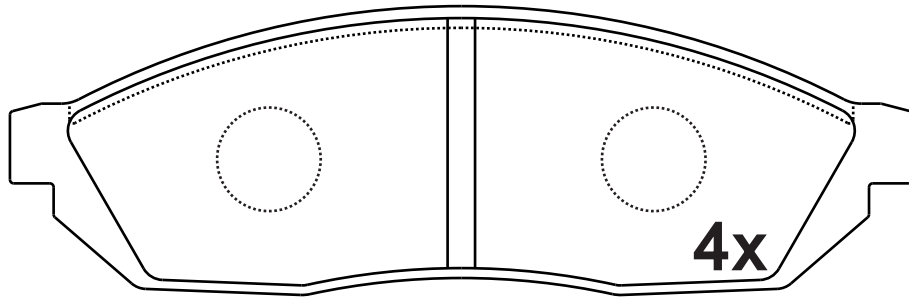


Apply for:

Mitsubishi Canter 35

10.96-



SR0159.01	Dimension (mm)	Thickness (mm)		NOTE
	119.4×38.2	15.3		4 identical;

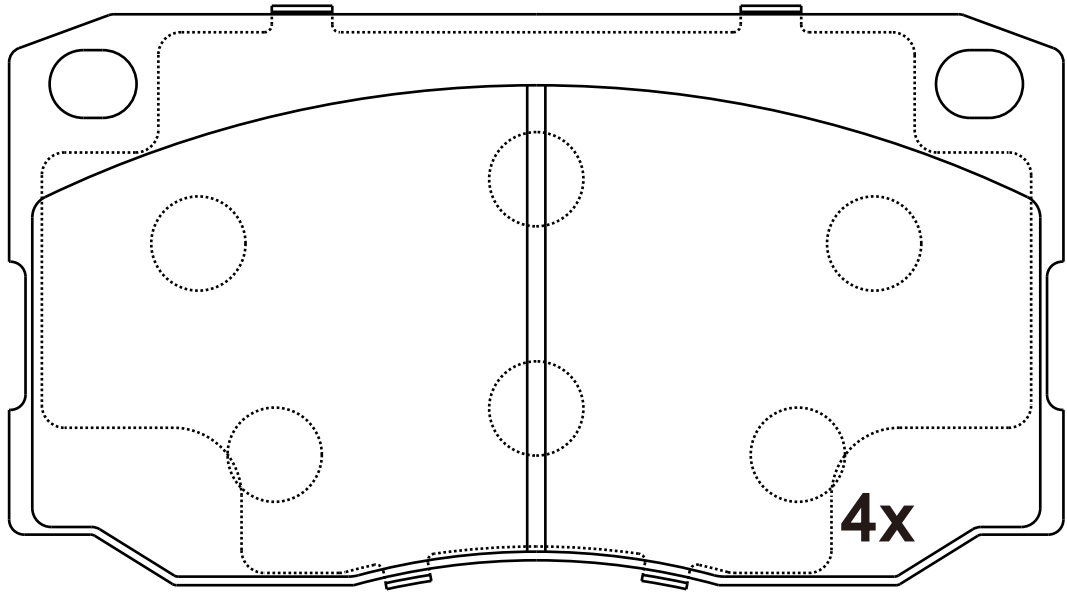


20731

Apply for:

Suzuki Alto	Hatchback	02.90-06.96
Suzuki Super Carry	Bus	10.85-03.99
Honda Civic II	Hatchback	01.78-12.83
Honda Civic	Saloon	10.79-12.84

SR0160.01	Dimension (mm)	Thickness (mm)		NOTE
	139.4×75.5	18.5		4 identical;



D1201

Apply for:

Hyundai Mighty

SR0160.02

**Dimension
(mm)**

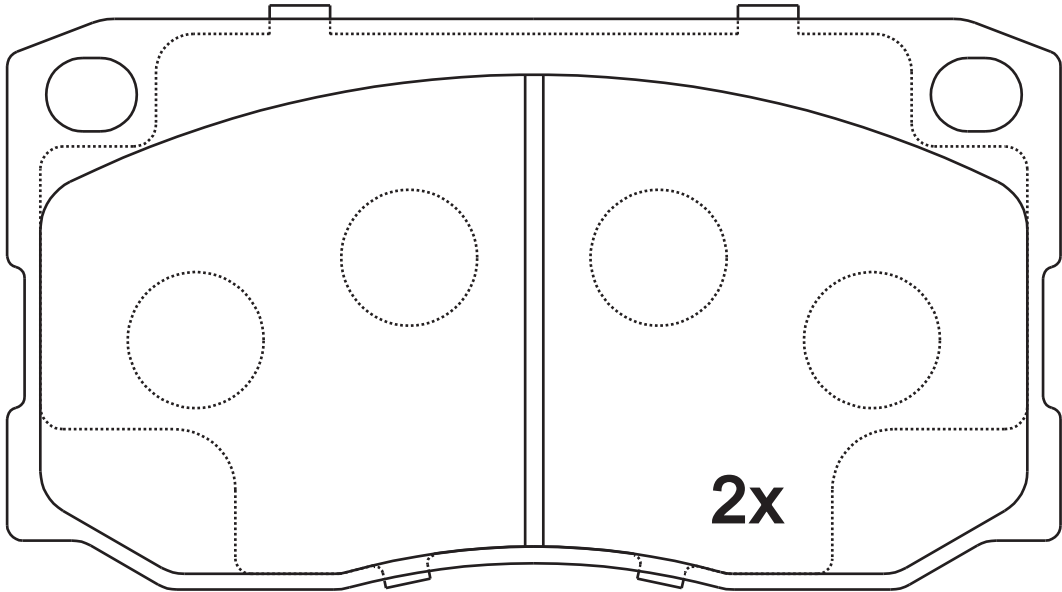
139.4×75.5

**Thickness
(mm)**

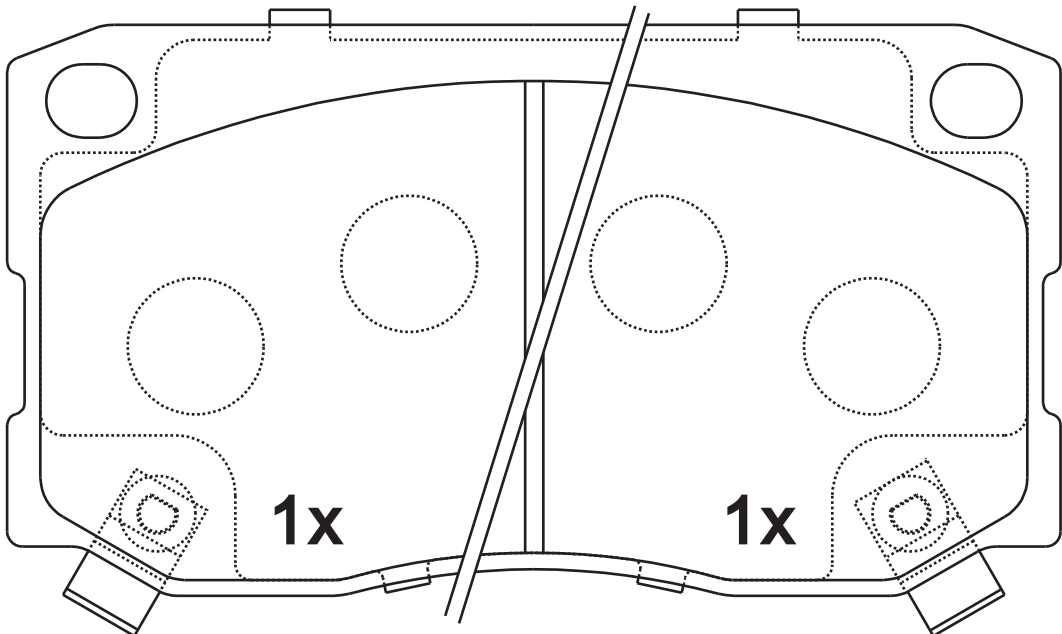
18.5



NOTE



D1201



Apply for:

Hyundai Mighty

SR0161.01

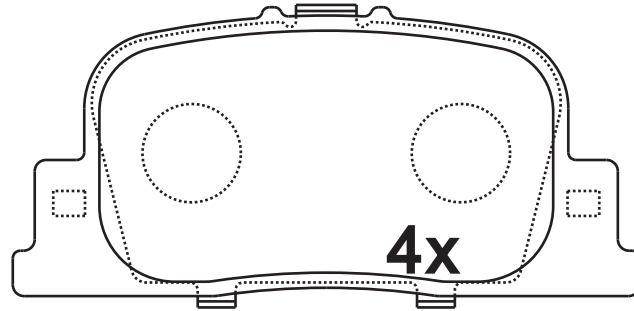
**Dimension
(mm)**

**Thickness
(mm)**



NOTE

4 identical;



23592

Apply for:

Toyota Camry
Toyota Prius

Saloon
Hatchback

08.96-11.01
08.03-03.09

SR0162.01

**Dimension
(mm)**

109.5×73

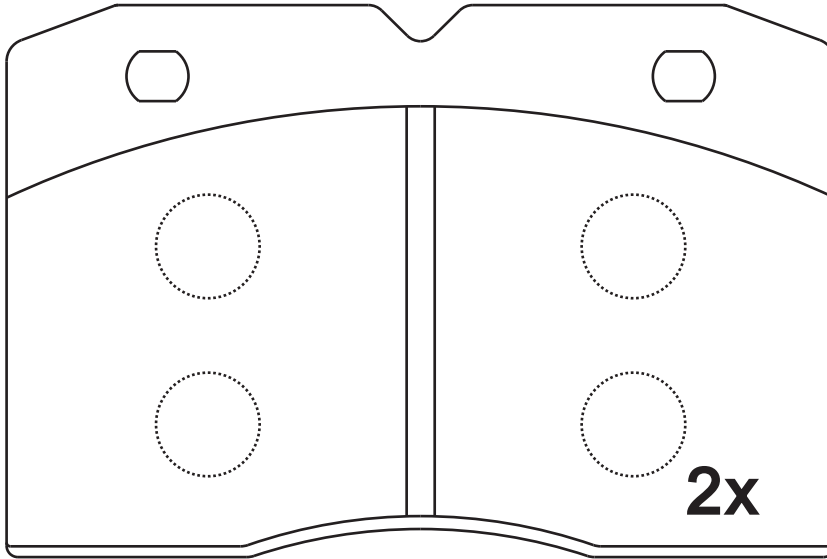
**Thickness
(mm)**

18.3

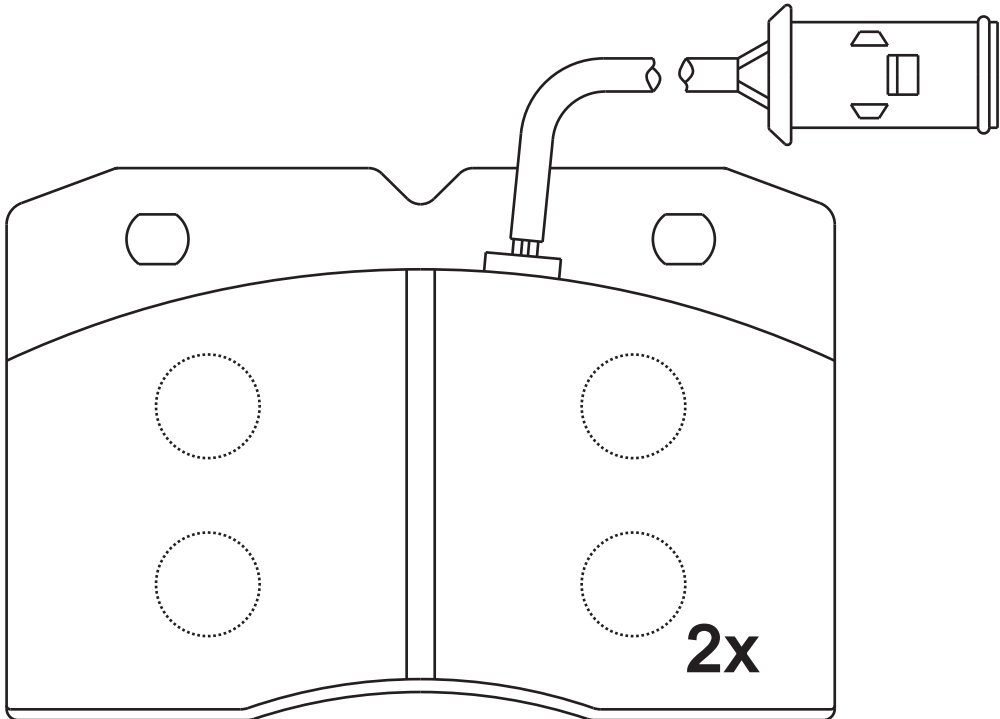


NOTE

4 identical, 2 with warn indicator: 215mm.



21048



Apply for:


21049

Iveco Daliy I
Iveco Daliy I
Alfa AR8
Alfa AR8

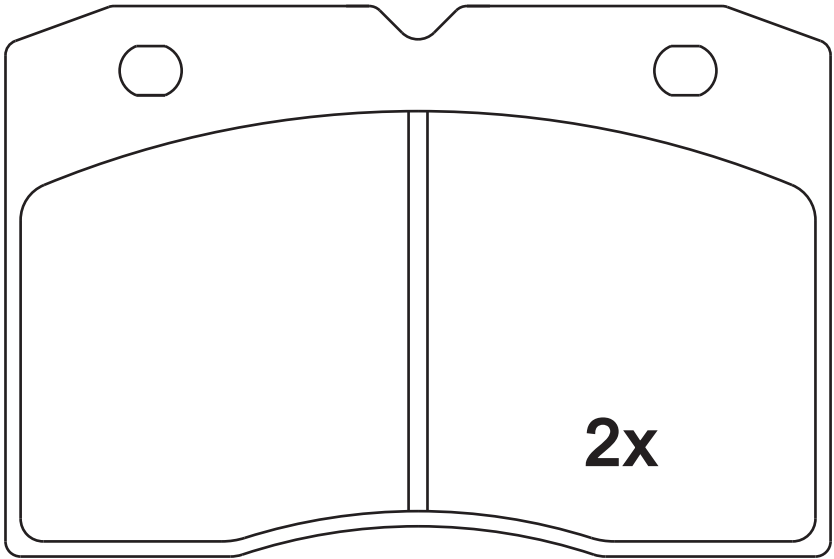
Box
Platform
Box
Platform

01.78-08.98
01.78-05.99
04.85-12.89
09.86-12.89

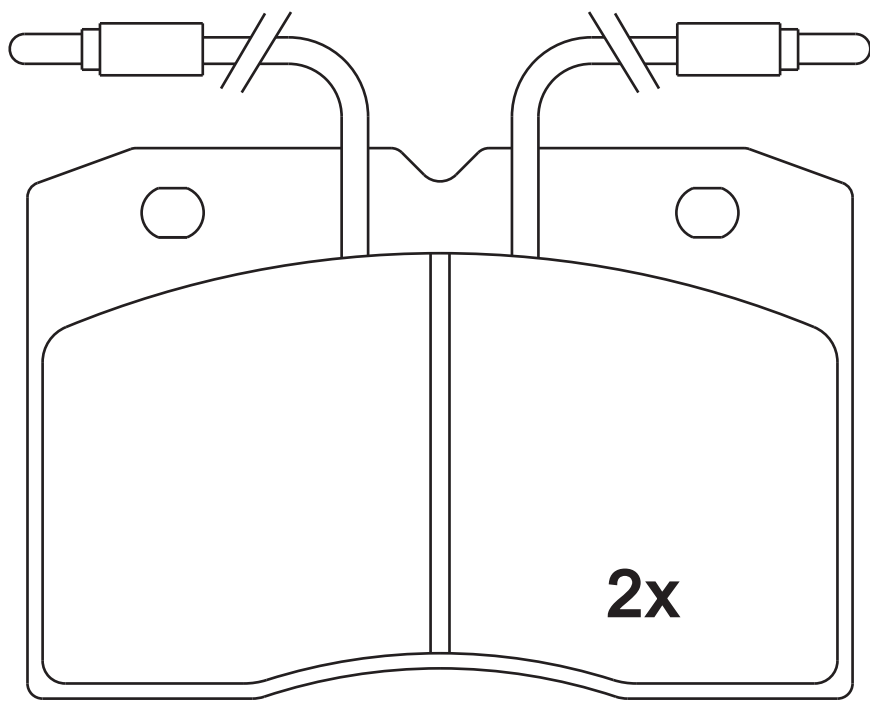
SR0162.02

Dimension (mm)	Thickness (mm)	
109.5×73	18.3	

NOTE
4 identical, 2 with warn
2 indicator.



21048



21620

Apply for:

Iveco Daily I
Alfa Romeo Ar 8 Box (280)
Renault Master I Box

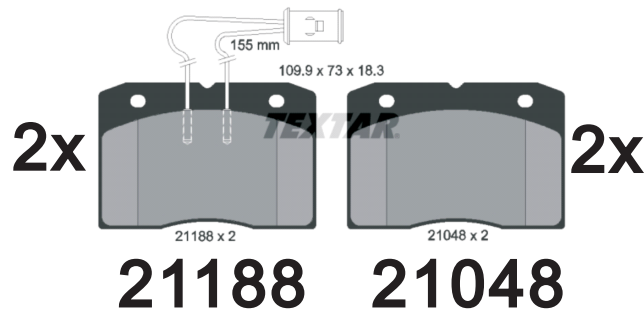
1978/01-1999/04
1978/04-1989/12
1980/07-1998/07

SR0162.03**Dimension
(mm)**

109.5×73



**Thickness
(mm)**

18.3

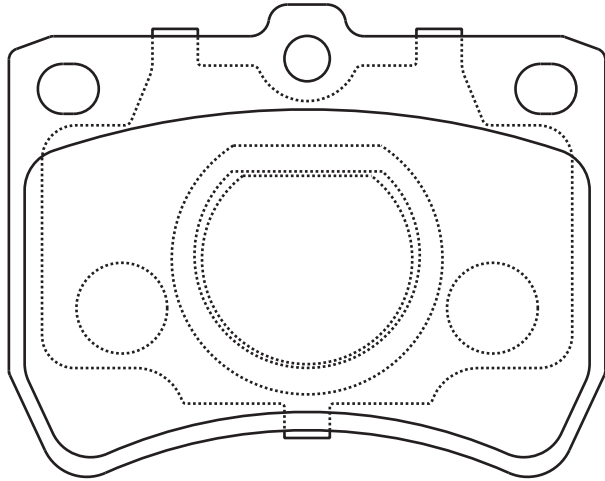
**NOTE****4 identical, 2 with warn
2 indicator.****Apply for:**

ALFA ROMEO AR 8 Platform/Chassis (280_) 2.4 D (280)	1978-1986
ALFA ROMEO AR 8 Van (280_) 2.4 D (280)	1978-1986
IVECO DAILY I Platform/Chassis 40-10	1985-1989

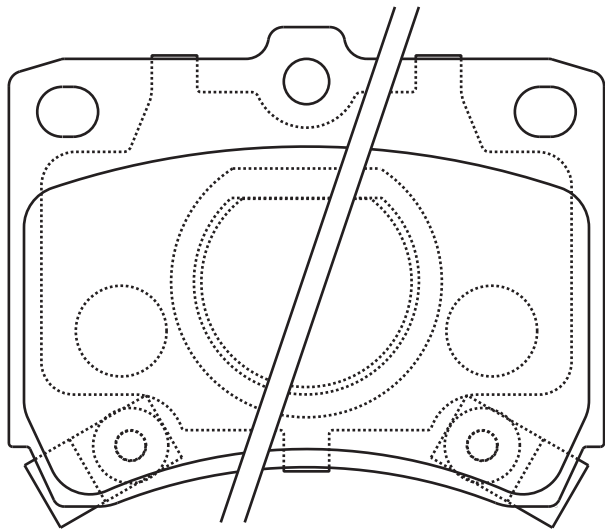
SR0163.01

Dimension (mm)	Thickness (mm)	
78.7×63.4	13.5	

NOTE
4 identical, 1 with
acoustic indicator (left),
1 with acoustic indicator
(right).



21357





21355

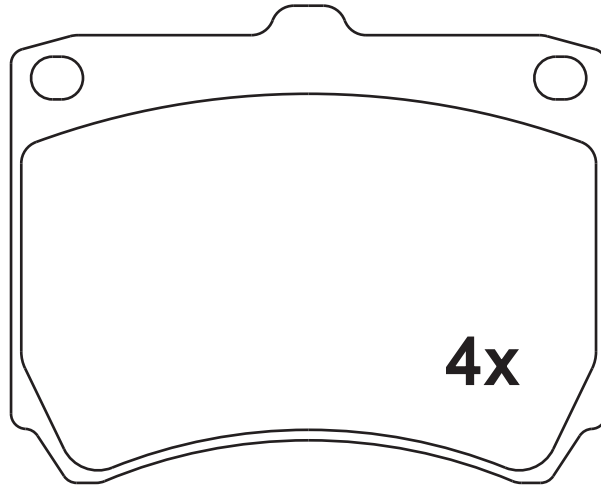
21356

Apply for:

Kia Pride	Hatchback	01.90-
Kia Pride	Estate	08.99-
Mazda 121 I	Hatchback	10.87-11.90

SR0164.01	Dimension (mm)	Thickness (mm)		NOTE 4 identical;
	78.7×63.5	15		

无模具



Apply for:

Kia Towner

1992-

SR0165.01

**Dimension
(mm)**

**Thickness
(mm)**

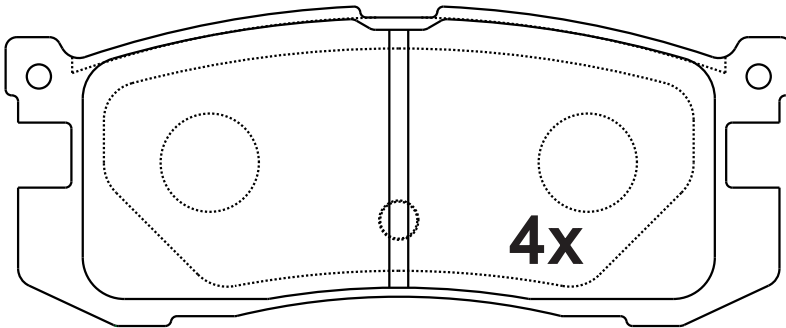


NOTE

4 identical;

104.2×41.6

13



21558

Apply for:

Mazda 626 III
Mazda 626 III
Mazda 626 III
Ford Probe I

Estate
Hatchback
Coupe
Coupe

03.89-11.96
06.87-10.90
06.87-12.91
08.88-12.92

SR0166.01**Dimension
(mm)**

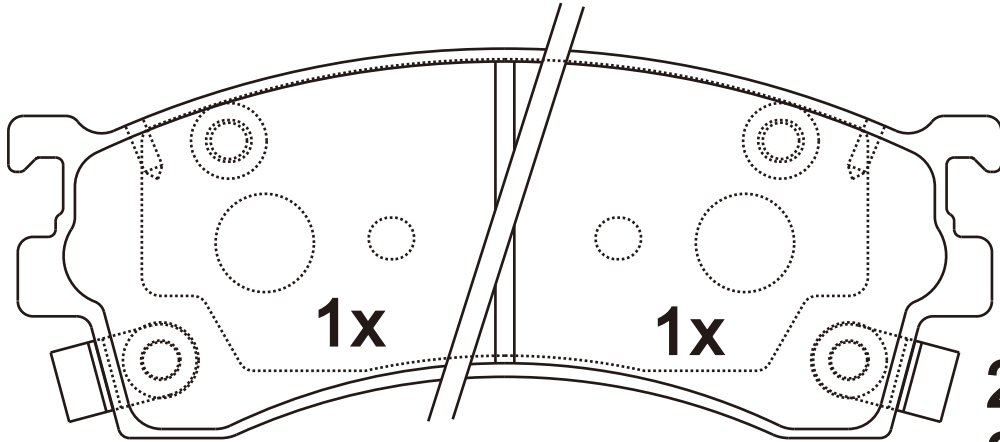
131.3×51.5

**Thickness
(mm)**

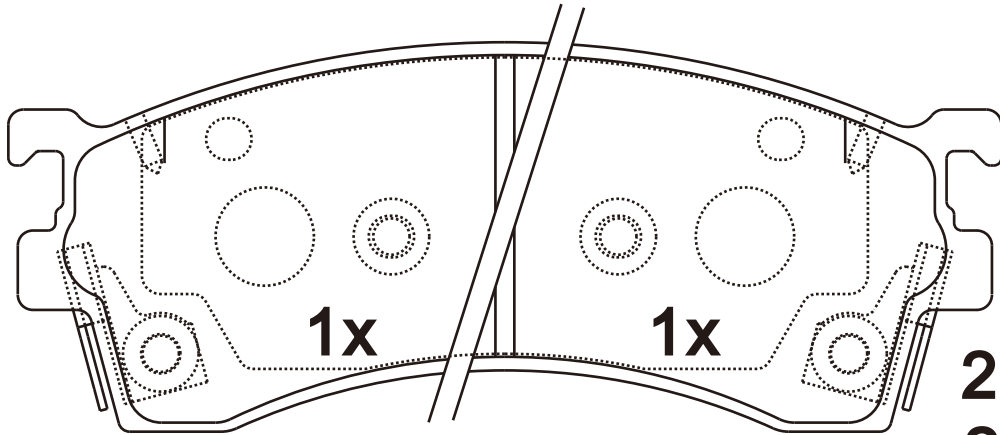
15.8

**NOTE**

4 identical, 1 with
acoustic indicator (left),
1 with acoustic indicator
(right).



21757
21756



21754
21755

Apply for:

Mazda 323 VI	Saloon	09.98-05.04
Mazda 626 IV	Saloon	01.92-04.97
Mazda 626 IV	Hatchback	08.91-04.97
Mazda 626 V	Saloon	05.97-10.02
Mazda 626 V	Hatchback	05.97-10.02
Mazda MX-6	Coupe	02.92-
Mazda Premacy	MPV	07.99-
Mazda Xedos 6	Saloon	01.92-
Ford Probe II	Coupe	10.93-03.98

SR0166.02

**Dimension
(mm)**

131.3×51.5

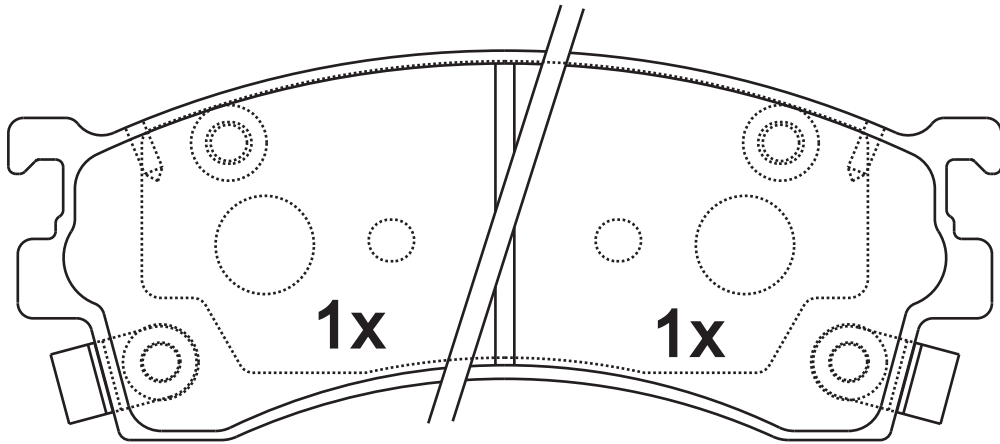
**Thickness
(mm)**

15.8



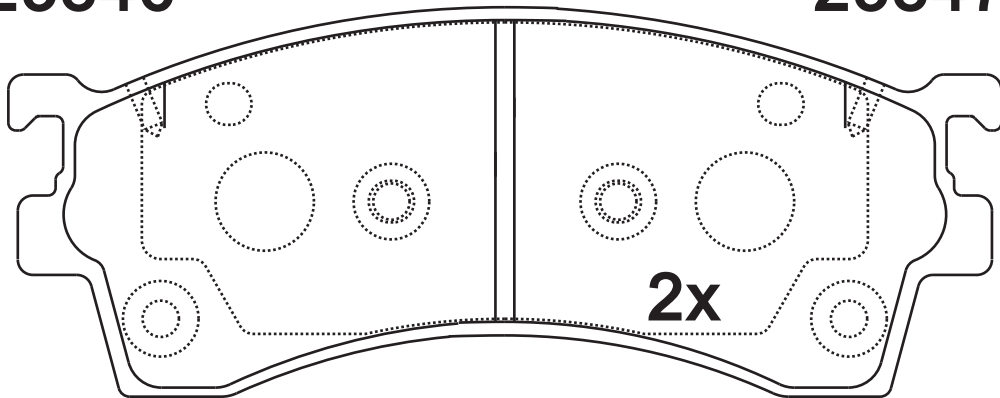
NOTE

4 identical, 1 with acoustic indicator (left), 1 with acoustic indicator (right).



23846


23847

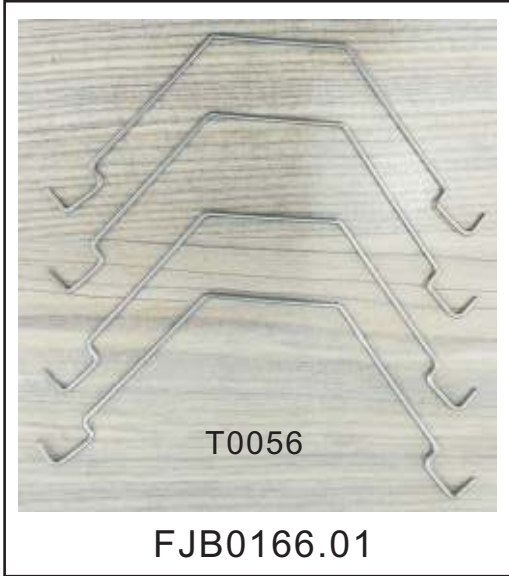


23845



Apply for:

Ford Probe	1994-1997
Ford Probe GL	1989-1992
Ford Probe GT	1989-1992
Ford Probe GT	1994-1997
Ford Probe LX	1989-1992
Mazda 626	1994-2002
Mazda MX-6	1994-1997
Mazda MX-6 LS	1994-1997
Mazda Protégé 1.8 Liter	1999-2000

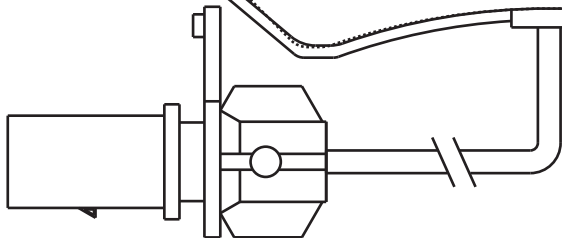
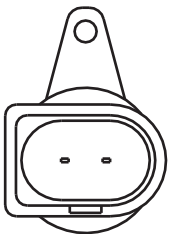
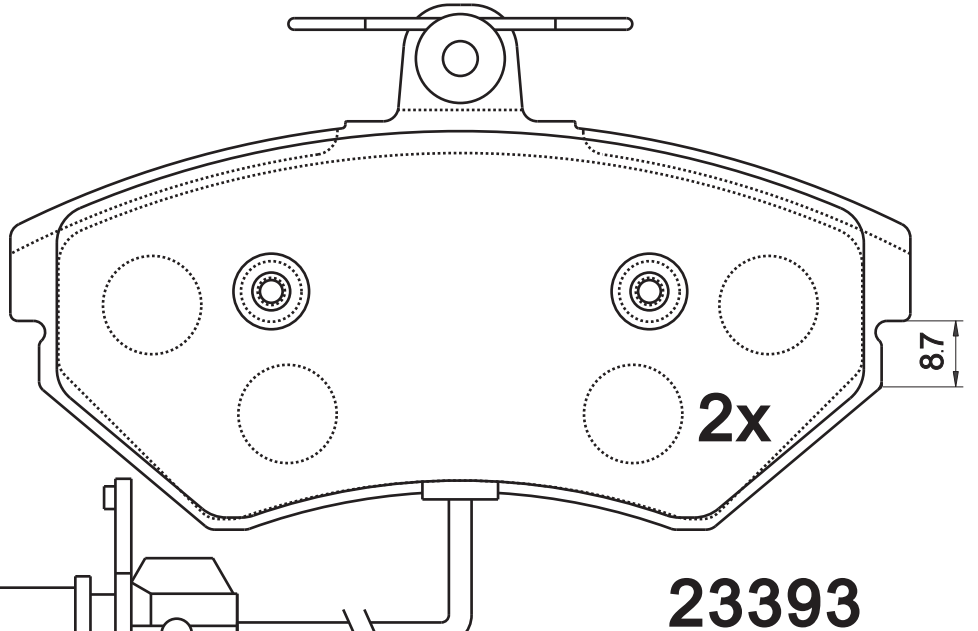
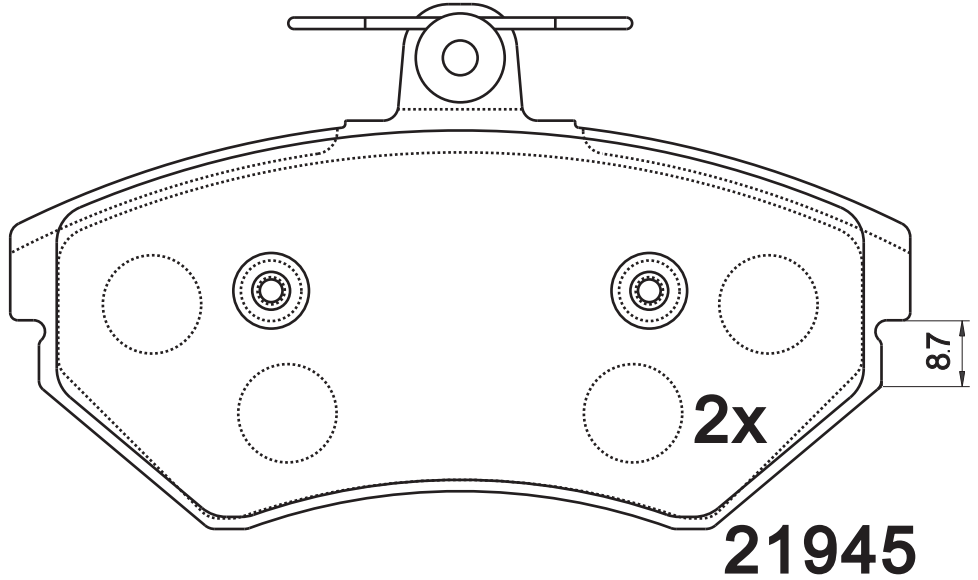
SR0166	Dimension (mm)	Thickness (mm)		NOTE



SR0167.01

Dimension (mm)	Thickness (mm)	
119×69.4	19.6	

NOTE
4 identical, 2 with warn indicator: 198mm.



X0014C 总长212mm

Apply for:

Audi A4	Saloon	11.04-06.08
Audi A4	Estate	11.04-06.08
Volkswagan Passat	Saloon	10.96-11.00
Volkswagan Passat	Estate	06.97-11.00

SR0167.02

**Dimension
(mm)**

119×69.4

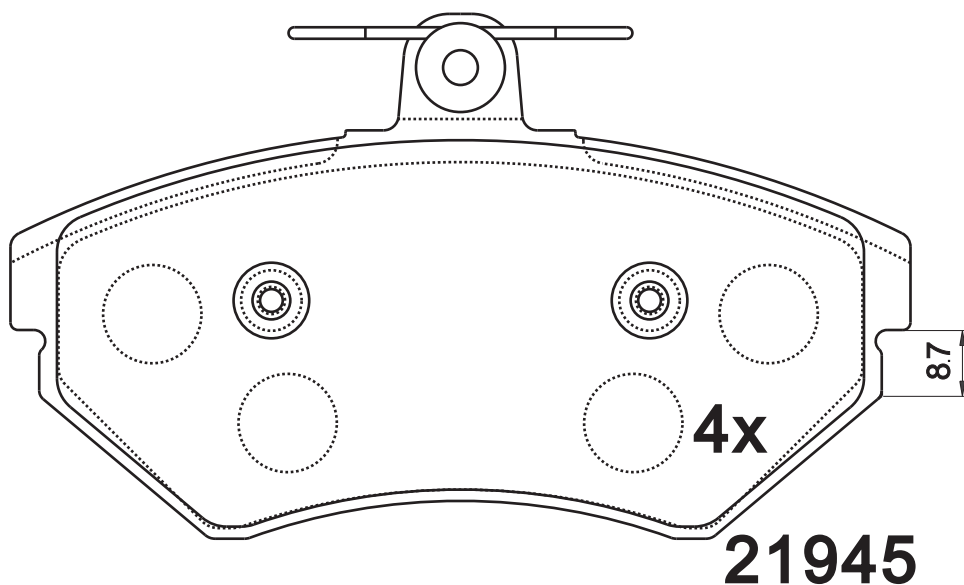
**Thickness
(mm)**

19.6



NOTE

**4 identical, 2 with warn
indicator: 198mm.**



Apply for:

Volkswagan Passat
Volkswagan Passat

Saloon
Estate

10.96-11.00
06.97-11.00

SR0167.03

**Dimension
(mm)**

119×69.4

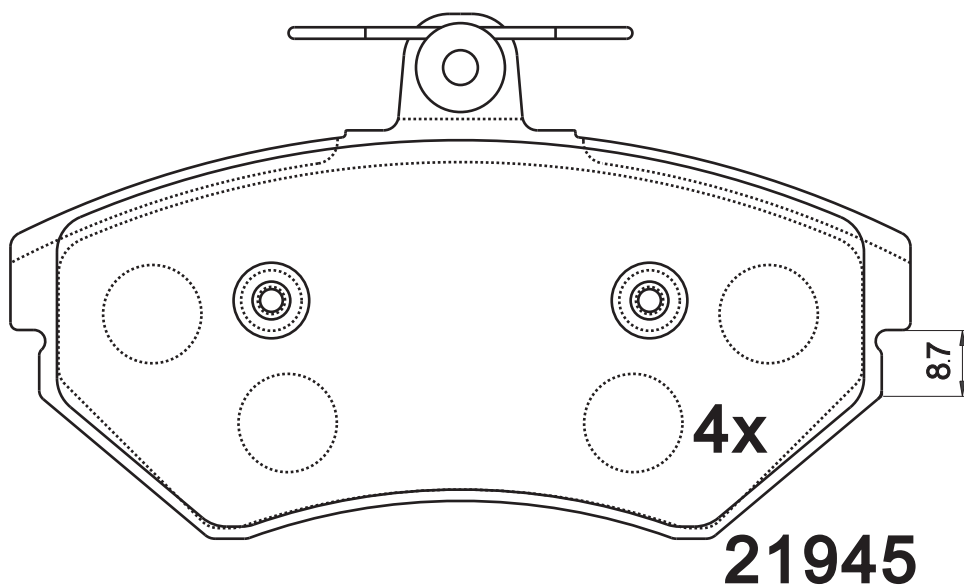
**Thickness
(mm)**

16



NOTE

**4 identical, 2 with warn
indicator: 198mm.**



Apply for:

Volkswagan Passat
Volkswagan Passat

Saloon
Estate

10.96-11.00
06.97-11.00

SR0167

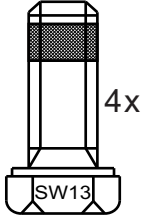
**Dimension
(mm)**

**Thickness
(mm)**

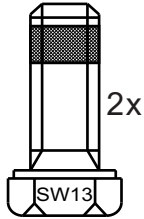


NOTE

附件包
Accessory kit



M8×21
L0010
FJB0025.01



M8×21
L0010
FJB0003.01

SR0168.01

**Dimension
(mm)**

108.6×39

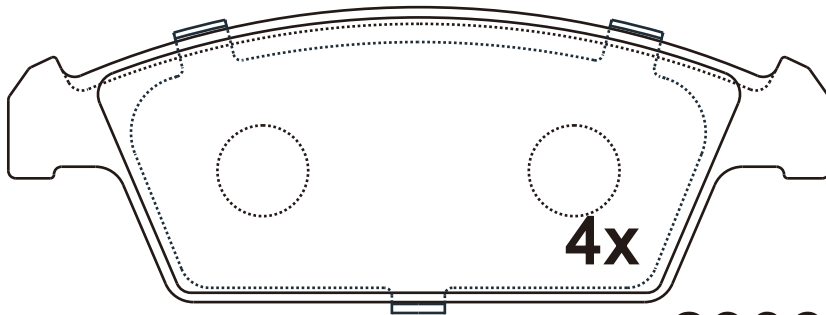
**Thickness
(mm)**

14



NOTE

4 identical;



23061

Apply for:

Daewoo Tico
Suzuki Cappucino

Saloon
Saloon

1995-2000
1992-1998

SR0169.01

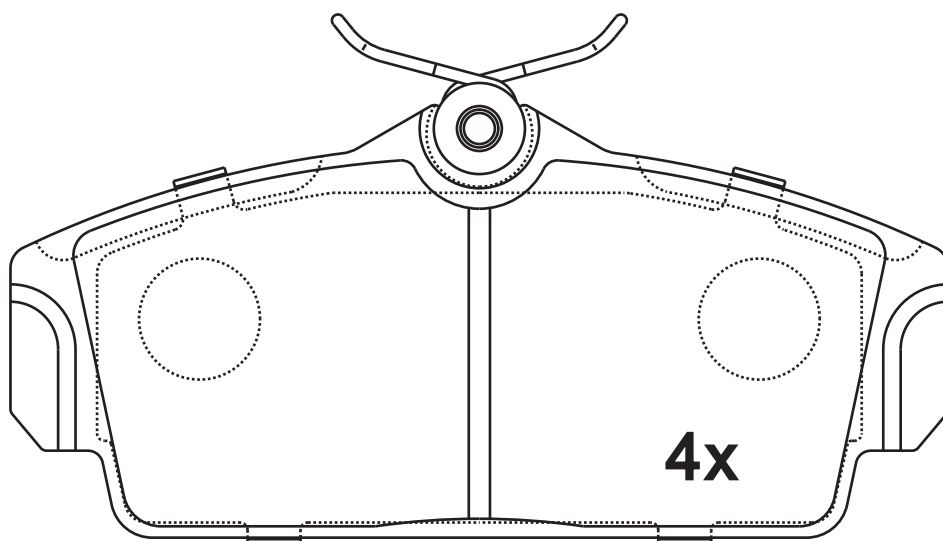
**Dimension
(mm)**

**Thickness
(mm)**



NOTE

4 identical;



23463

Apply for:

Nissan Almera II	Hatchback	03.00-
Nissan Almera II	Saloon	07.00-
Nissan Primera	Saloon	09.96-12.01
Nissan Primera	Hatchback	09.96-07.02
Nissan Primera Traveller	Estate	04.98-12.01

SR0169

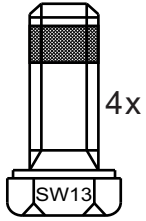
**Dimension
(mm)**

**Thickness
(mm)**





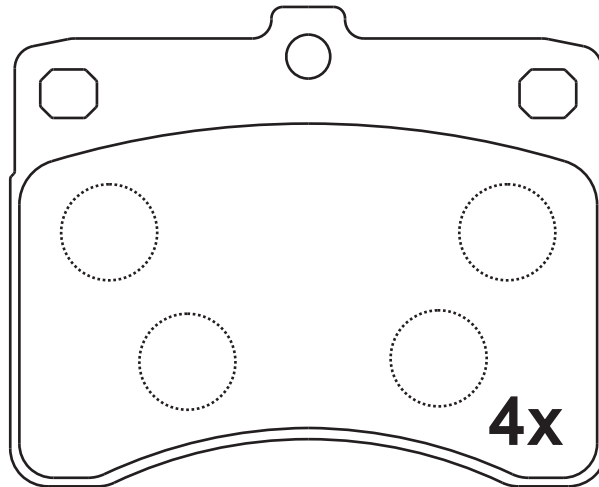
NOTE

附件包
Accessory kit



M8×21
L0010
FJB0025.01

SR0170.01	Dimension (mm)	Thickness (mm)		NOTE
	78.8×63.4	13.5		4 identical;



20780

Apply for:

Daihatsu Cuore II	Saloon	09.85-12.90
Daihatsu Cuore IV	Saloon	12.94-10.98
Daihatsu Hijet	Box	06.86-
Daihatsu Hijet	Bus	06.86-
Daihatsu Move	Saloon	06.94-
Daihatsu Sparcar	Box	07.82-06.86
Daihatsu Sparcar	Bus	07.82-06.86

SR0171.01**Dimension
(mm)**

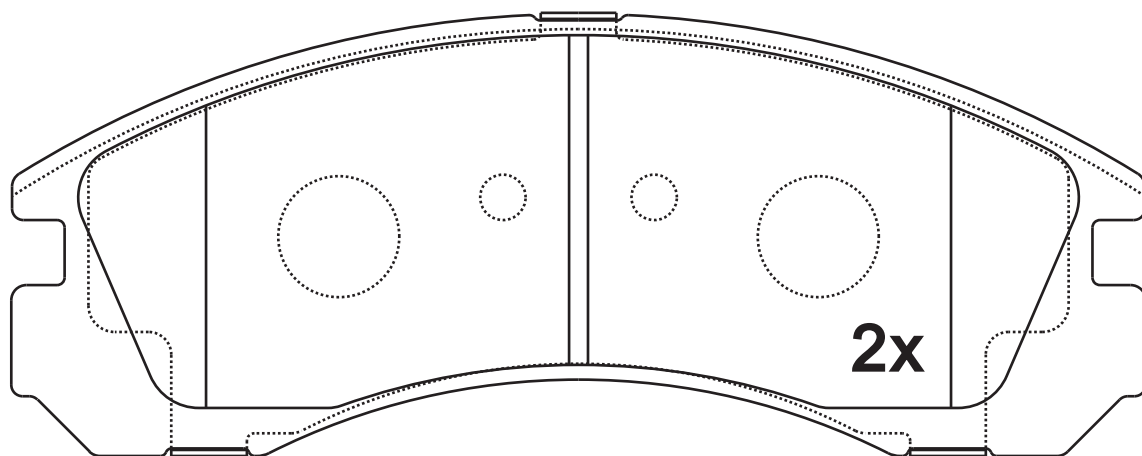
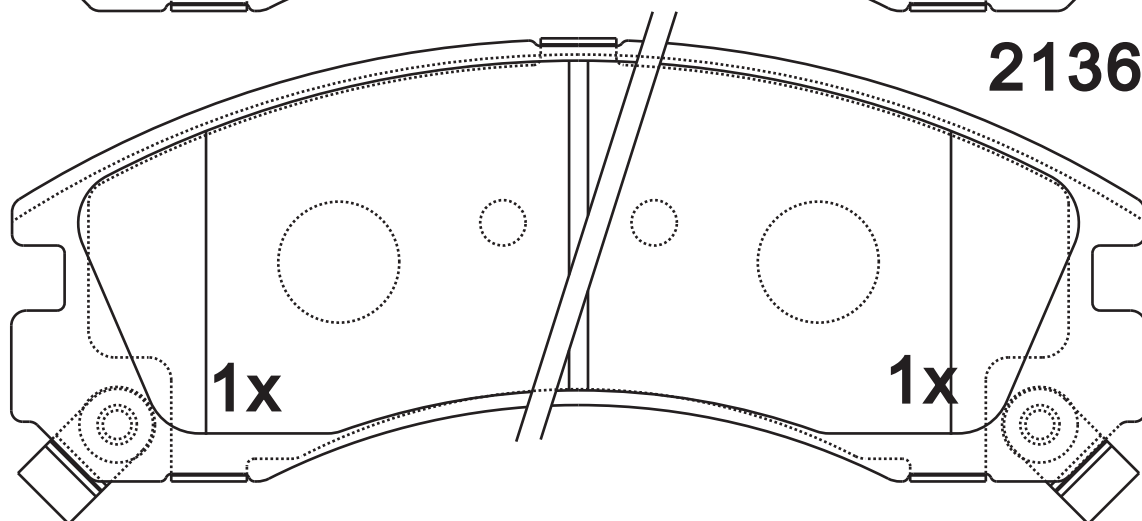
150×58.3

**Thickness
(mm)**

16

**NOTE**

4 identical, 1 with
acoustic indicator (left),
1 with acoustic indicator
(right).

**21363****21768****1x****21769****Apply for:**

Mitsubishi Lancer	Saloon	03.04-
Mitsubishi Outlander I	Closed off-Road	05.03-10.06
Mitsubishi Outlander II	Closed off-Road	11.06-11.12
Mitsubishi Outlander III	Closed off-Road	08.12-
Mitsubishi Pajero II	Closed off-Road	12.90-12.06
Mitsubishi Pajero III	Open off-Road	09.01-12.06
Mitsubishi Pajero	Closed off-Road	11.98-
Mitsubishi Space Wagon	MPV	10.98-12.04
Mitsubishi L200	Pickup	11.92-12.07
Mitsubishi L400	Bus	05.95-05.00
Mitsubishi L400	Box	06.96-10.02
Citroen C-crosser	Closed off-Road	02.07-
Peugeot 4007	Closed off-Road	02.07-

SR0171.02

**Dimension
(mm)**

149.9×58.5

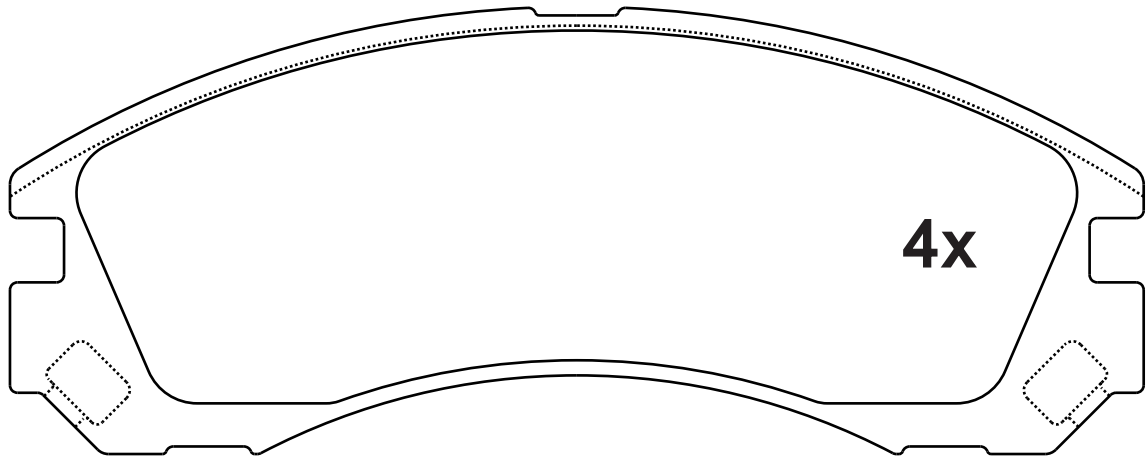
**Thickness
(mm)**

16



NOTE

4 identical;



21370

Apply for:

Mitsubishi Diamante	1997-1998
Mitsubishi Diamante	2004-
Mitsubishi Eclipse	2000-
Mitsubishi Galant 6 Cyl	2000-
Mitsubishi Lancer Ralliart	2009-2011
Mitsubishi Lancer Ralliart	2014-
Mitsubishi Outlander	2005-2006

SR0172.01

**Dimension
(mm)**

**Thickness
(mm)**

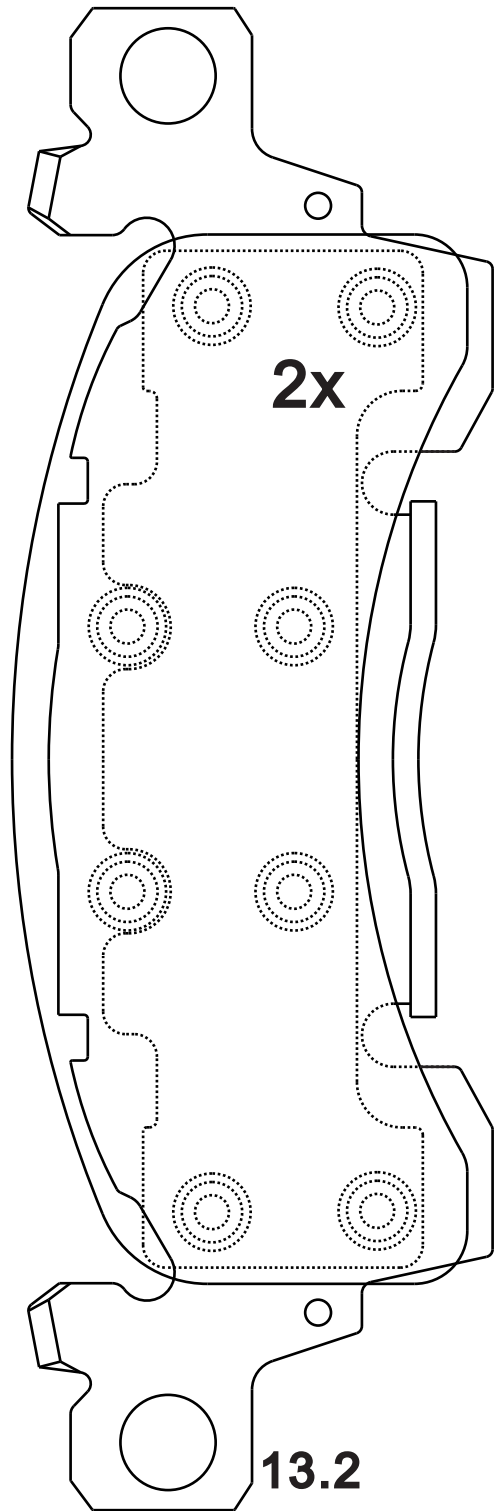
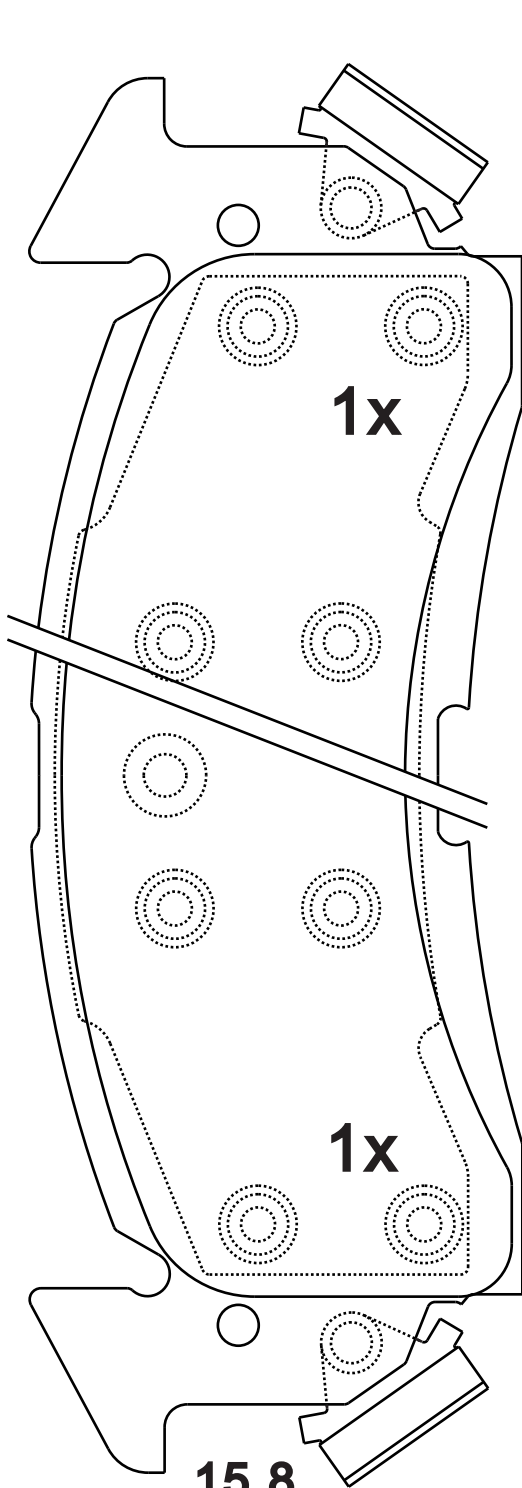


NOTE

2 identical; 2 identical, 1 with acoustic indicator (right), 1 with acoustic indicator (left)

183.4/197.3×65.5/63.4

15.8/13.2





Apply for:

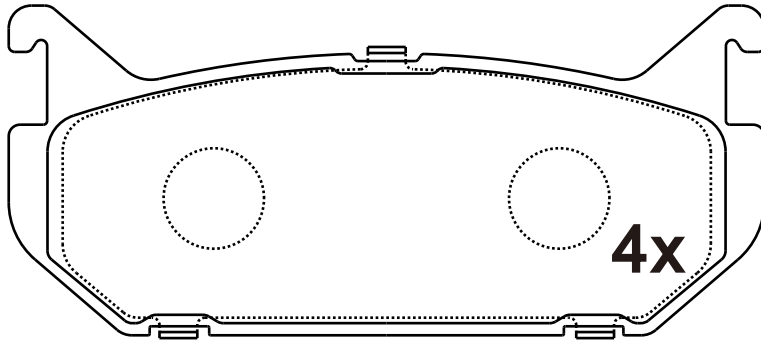
Buick Le Sabre
Chevrolet Astro
Chevrolet Astro

Saloon
Bus
Box

01.99-
10.86-09.94
10.84-09.94

SR0173.01

Dimension (mm)	Thickness (mm)		NOTE
99.9×43.6	14		4 identical;



21766

Apply for:

Ford Probe II	Saloon	07.93-03.98
Mazda 626 IV	Saloon	08.91-06.97
Mazda 626 IV	Hatchback	08.91-04.97
Mazda MX-6	Saloon	07.91-
Mazda Xedos 6	Saloon	01.92-

SR0174.01

**Dimension
(mm)**

**Thickness
(mm)**

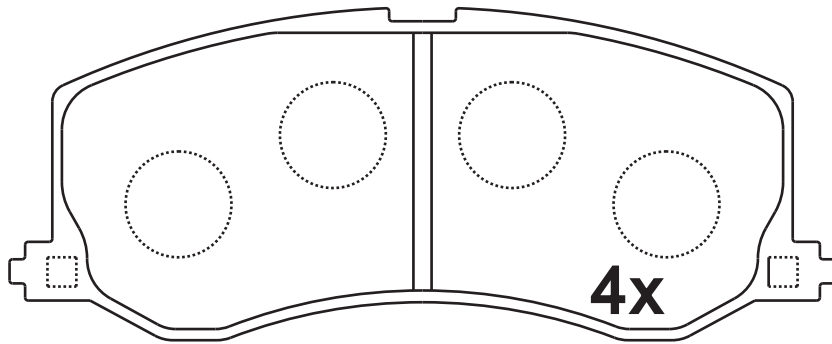


NOTE

4 identical;

109.2×42.8

14.9



2x



4x

21730

Apply for:

Suzuki Swift
Suzuki Swift II
Suzuki Swift II

Convertible
Hatchback
Saloon

09.91-10.96
03.89-12.04
03.89-05.01

SR0175.01

**Dimension
(mm)**

109×51.5

**Thickness
(mm)**

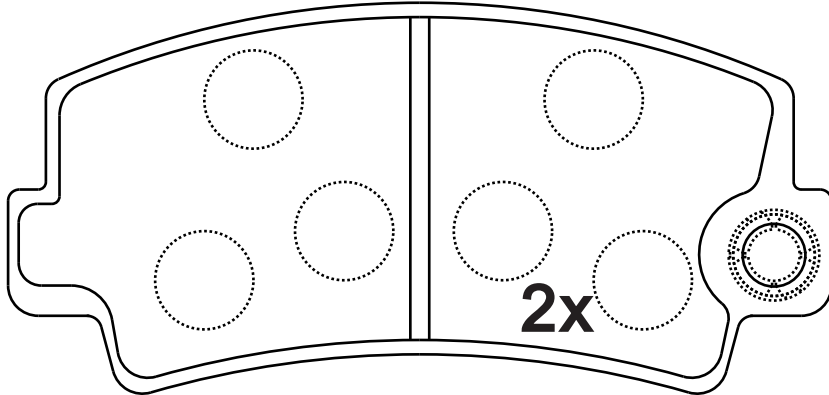
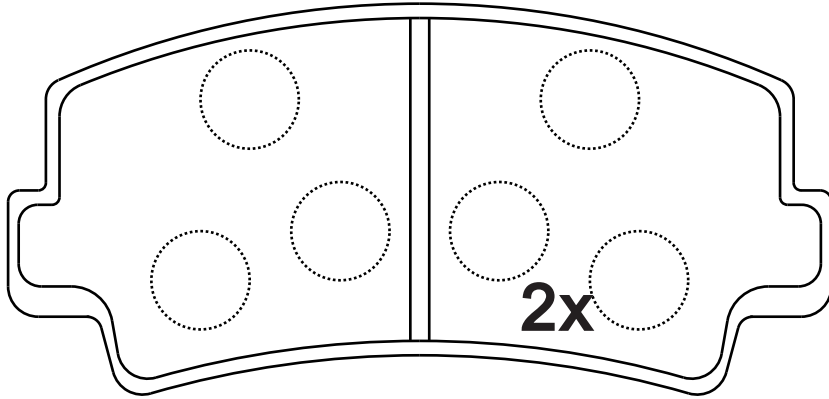
14.5



NOTE

4 identical, 2 with screw.

无模具



Apply for:

Toyota

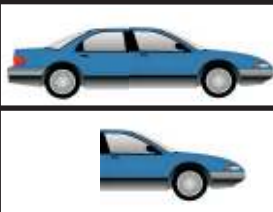
SR0176.01

**Dimension
(mm)**

108.4×48

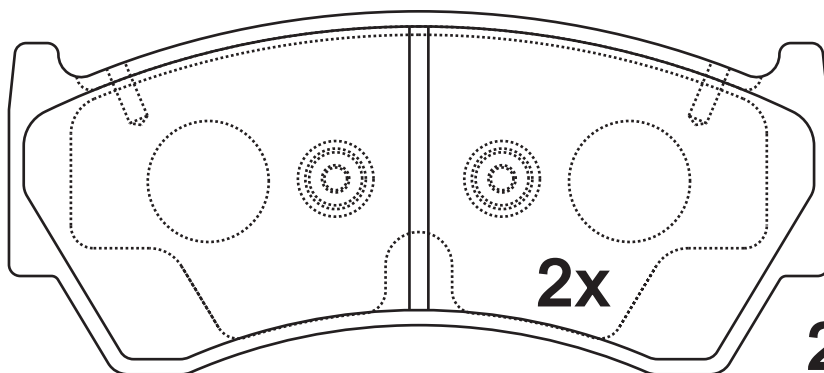
**Thickness
(mm)**

15.9

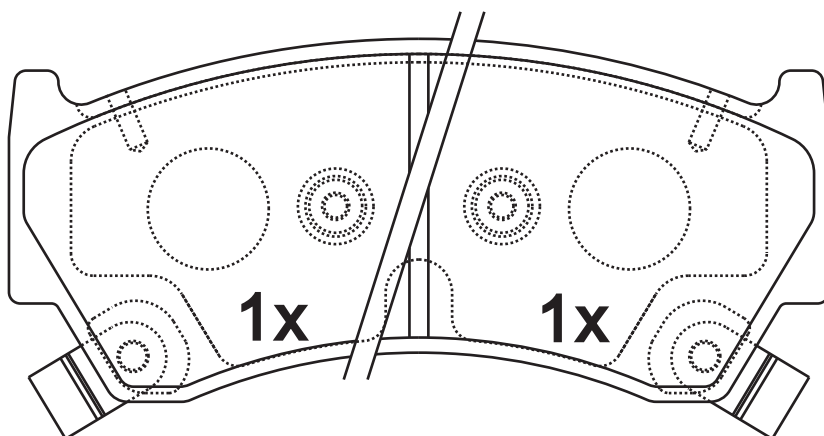


NOTE

4 identical, 1 with acoustic indicator(left), 1 with acoustic indicator(right).



23004



23005

23006

Apply for:

Nissan Almera I
Nissan Almera I

Saloon
Hatchback

07.95-07.00
07.95-03.00

SR0177.01

**Dimension
(mm)**

**Thickness
(mm)**

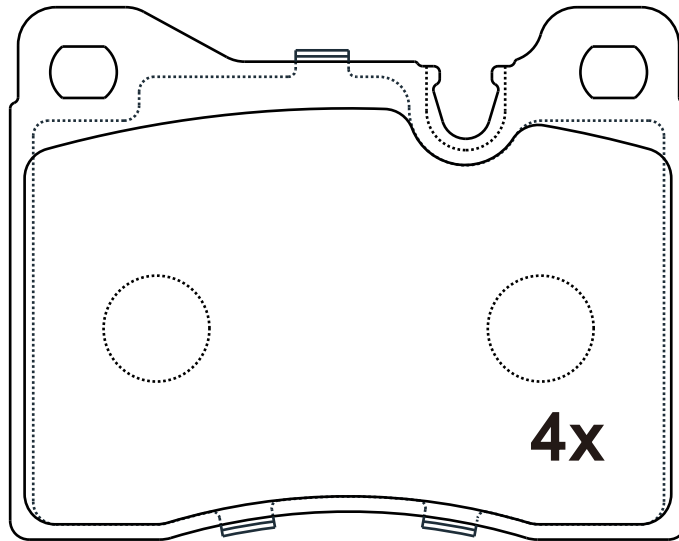


NOTE

4 identical;

89.7×70.5

19



20437

Apply for:

BMW 5	Saloon	08.72-09.90
BMW 6	Saloon	04.76-09.90
BMW 7	Saloon	05.77-08.86
BMW M1	Coupe	05.77-05.93

SR0177.02

**Dimension
(mm)**

**Thickness
(mm)**

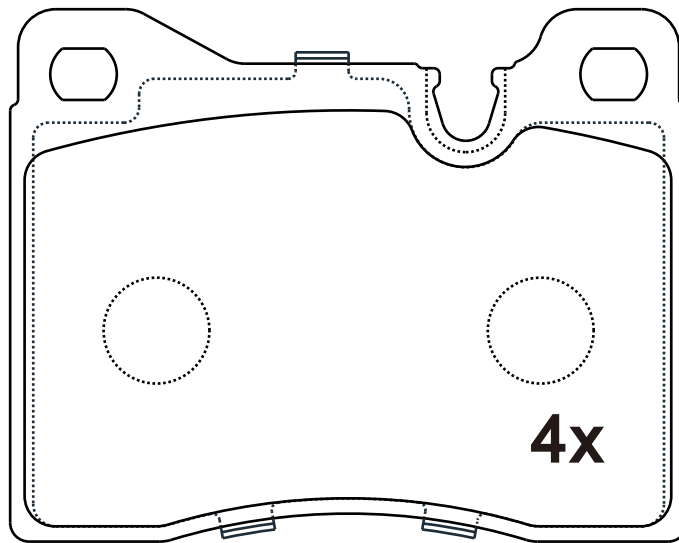


NOTE

4 identical;

89.7×70.5

15



20437

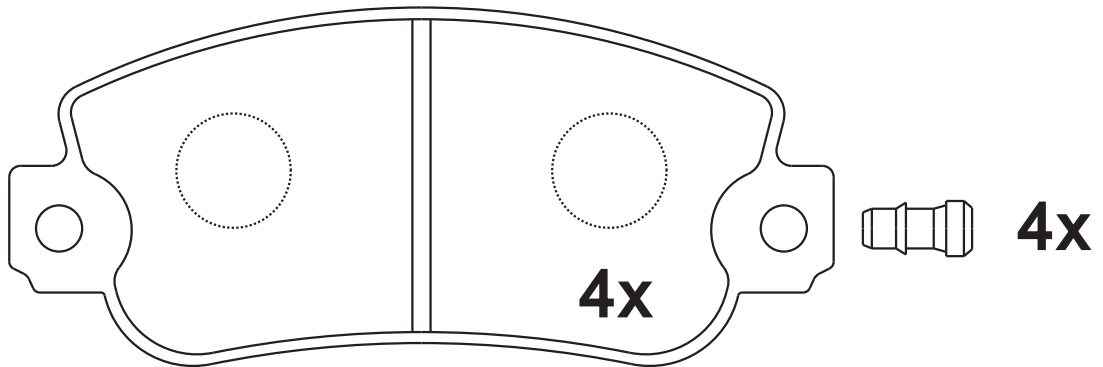
Apply for:

BMW 5	Saloon	08.72-09.90
BMW 6	Saloon	04.76-09.90
BMW 7	Saloon	05.77-08.86
BMW M1	Coupe	05.77-05.93

SR0178.01**Dimension
(mm)****Thickness
(mm)****NOTE****4 identical;**

109×47.4

18

**4x****4x****20775****(20776/20777)**

Apply for:

Fiat Uno	Hatchback	04.84-08.00
Fiat Panda	Hatchback	10.80-07.04
Fiat Panda	Box	01.86-02.04
Seat Ibiza I	Hatchback	06.84-12.93
Seat Malaga	Saloon	05.85-12.93
Seat Marbella	Hatchback	08.86-10.98
Seat Marbella	Box	01.87-12.93
Seat Terra	Estate	02.87-12.96
Seat Terra	Box	01.87-12.95

版次: A/3

SR0178.02

**Dimension
(mm)**

108.8×47.4

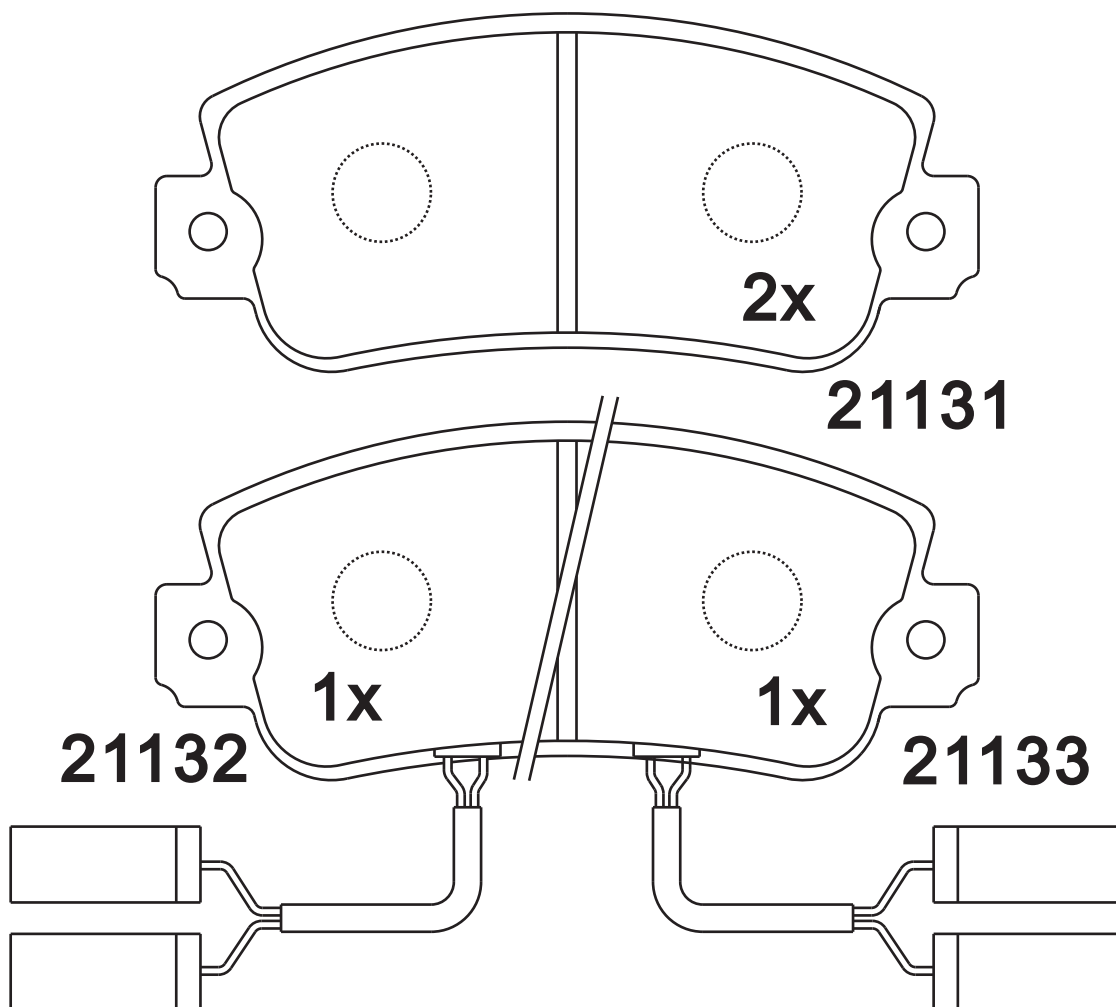
**Thickness
(mm)**

15



NOTE

4 identical;



Apply for:

Alfa Romeo 33



Alfa Romeo 33 Sportwagon

Alfa Romeo Arna

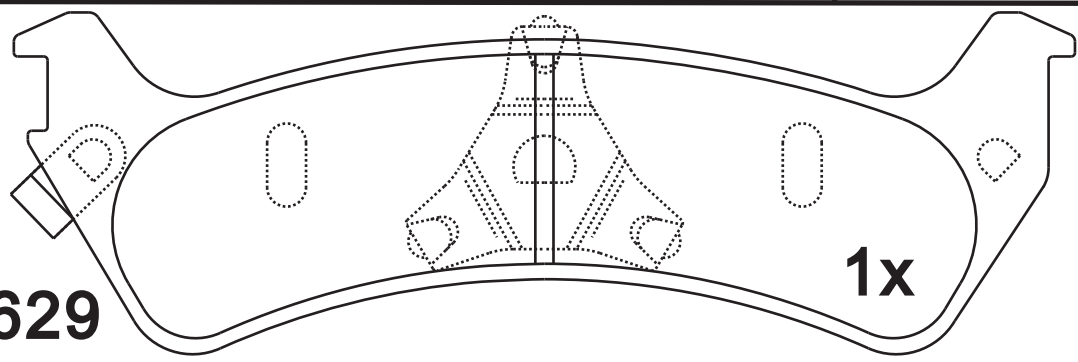
1983/05-1993/12

1984/01-1989/12

1983/03-1986/12

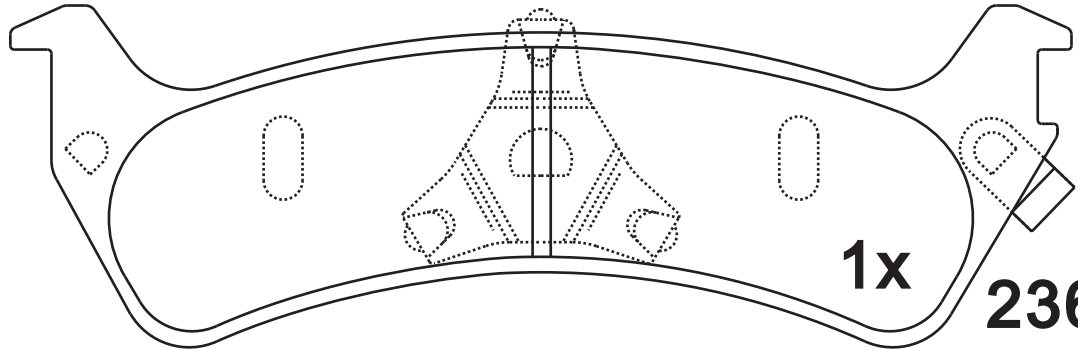
SR0179.01	Dimension (mm)	Thickness (mm)		NOTE 2 identical; 2 identical;
	140.3×45.2	15		

23629



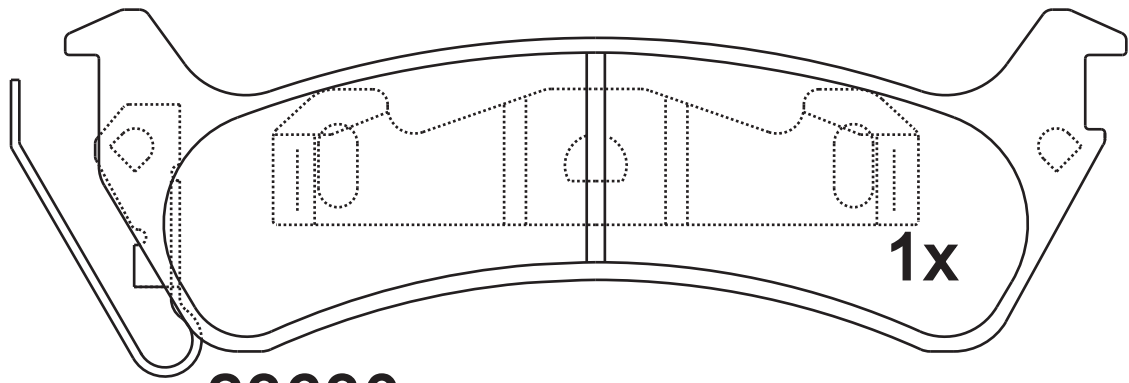
1x

23627



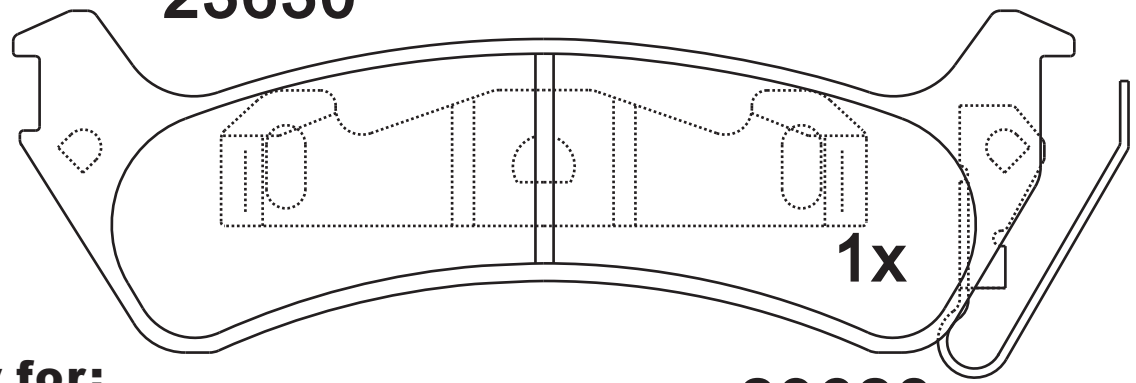
1x

23630



1x

23628



1x

Apply for:

Ford Explorer
Ford Explorer

Saloon 10.90-
Closed off-Road 01.93-

SR0179.02

**Dimension
(mm)**

140.1×45.2

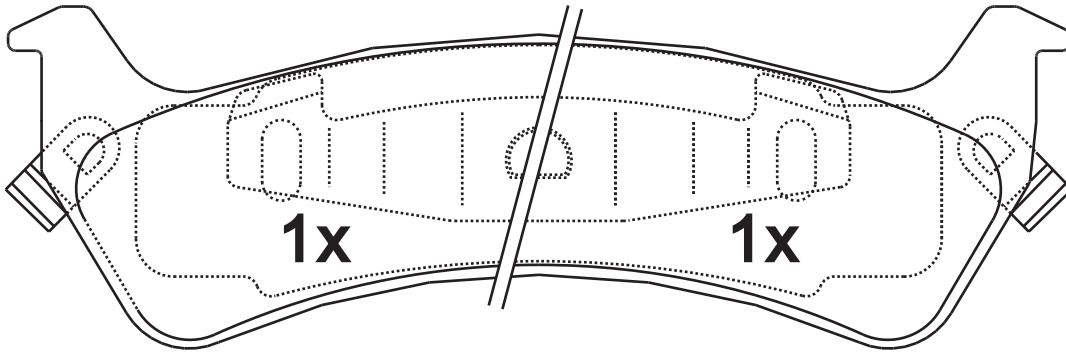
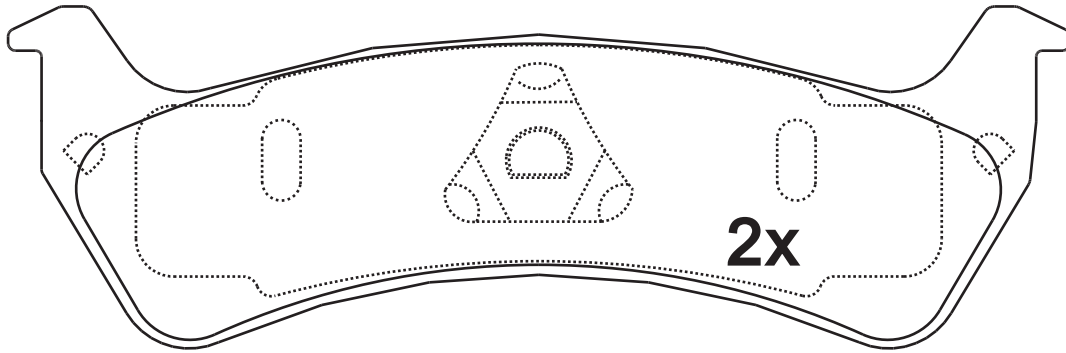
**Thickness
(mm)**

15



NOTE

2 identical;2 identical,
1 with acoustic indicator
(left),1 with acoustic
indicator(right).



GDB1238

Apply for:

Jeep Grand Cherokee Limited

1994-

SR0179.03

**Dimension
(mm)**

140.3×45.2

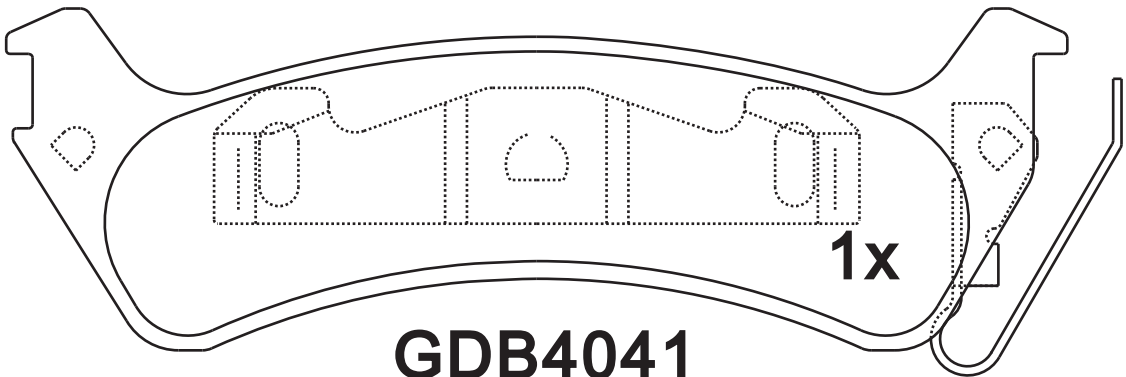
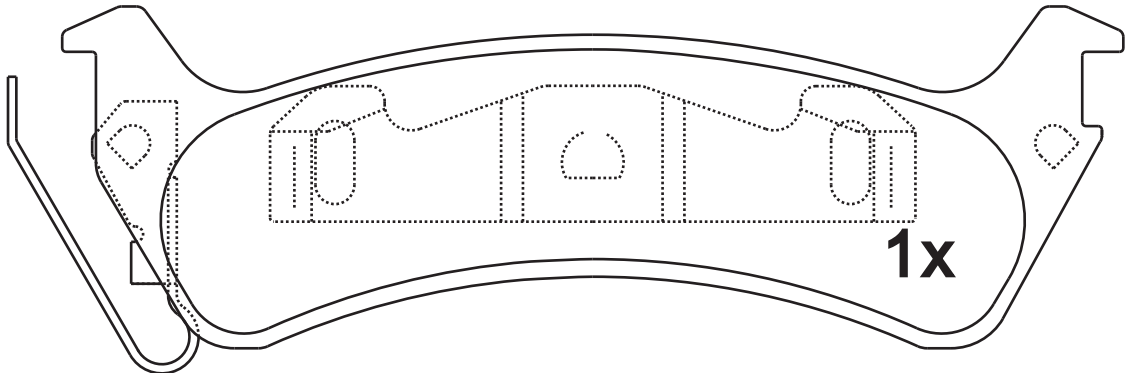
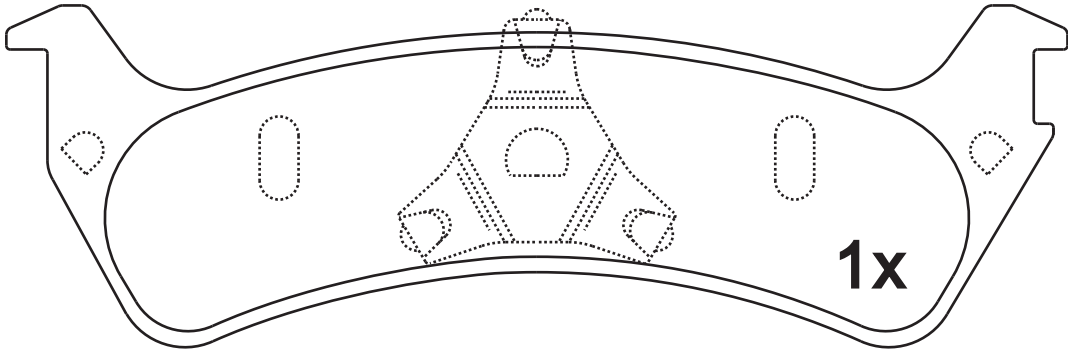
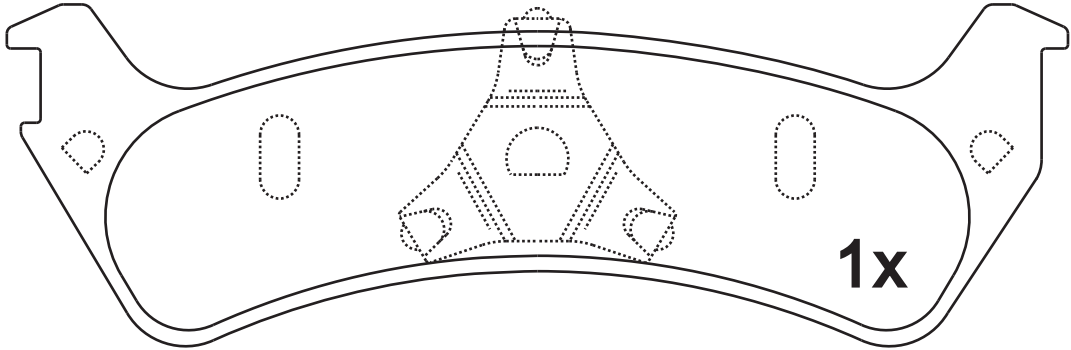
**Thickness
(mm)**

14.6



NOTE

2 identical; 2 identical;



GDB4041

Apply for:

Ford Usa Windstar

1995/01-2004/08

SR0180.01**Dimension
(mm)**

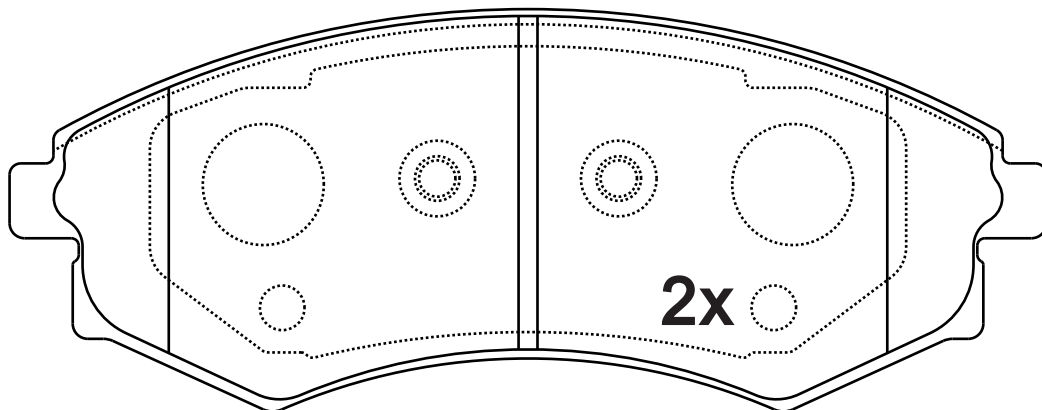
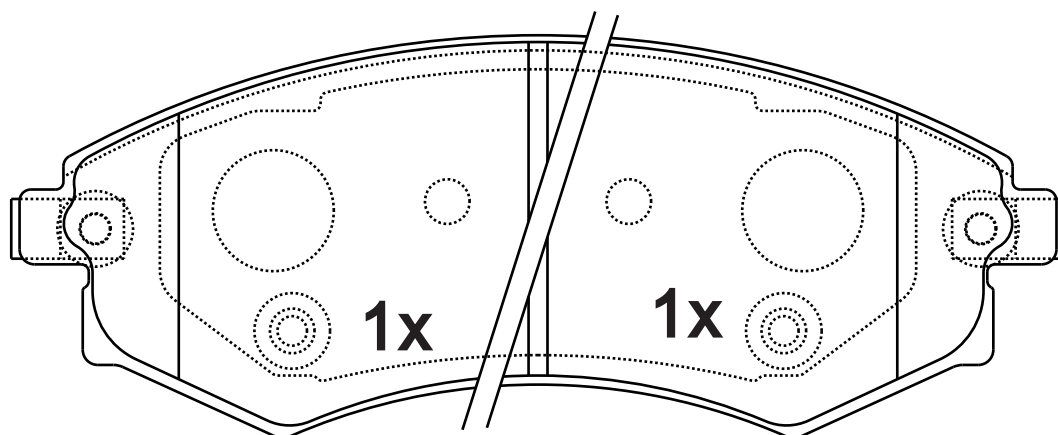
137.1×53.2

**Thickness
(mm)**

17.5

**NOTE**

4 identical, 1 with
acoustic indicator (left),
1 with acoustic indicator
(right).

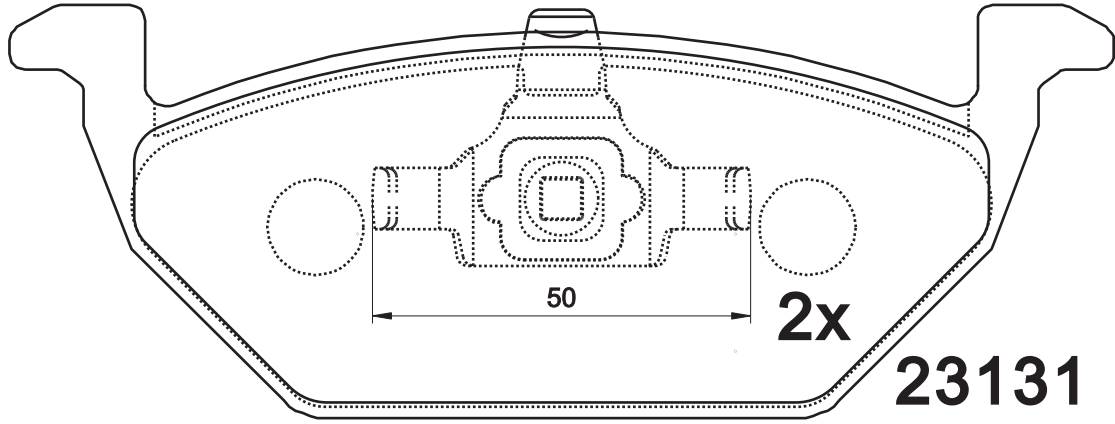
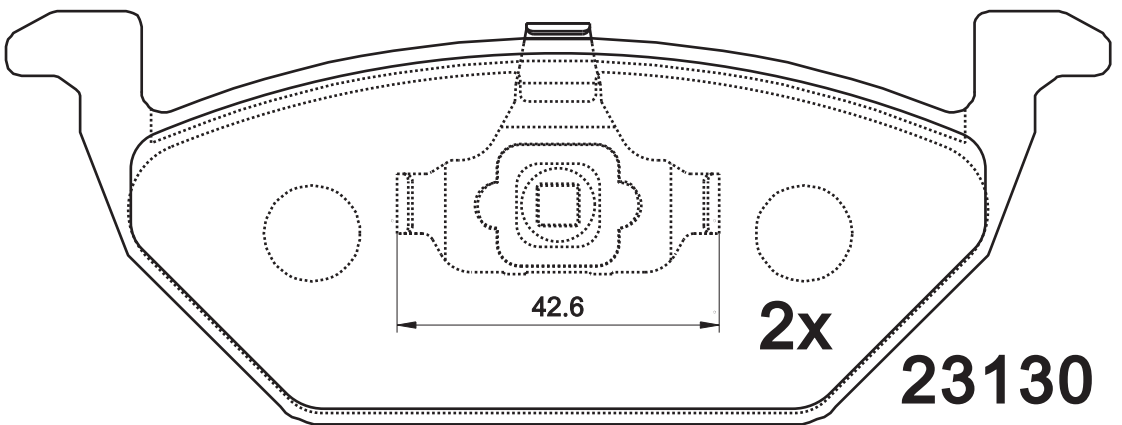
**D887****Apply for:**

Hyundai Elentra	Hatchback	06.00-07.06
Hyundai Elentra	Saloon	06.00-07.06
Hyundai Lantra II	Saloon	11.95-09.00
Hyundai Lantra II	Estate	02.96-10.00
Hyundai Matrix	MPV	06.01-08.10
Hyundai Sonata III	Saloon	05.93-06.98
Hyundai Sonata IV	Saloon	06.98-10.01
Kia Joice	MPV	02.00-
Nissan 200 SX	Coupe	07.88-11.93
Nissan Prairie Pro	MPV	10.88-07.94
Nissan Prairie Traveller	Estate	07.90-03.98

Dimension (mm)	Thickness (mm)	
146.2×55.1	19.6	

NOTE
2 identical;2 identical;

SR0181.01



Apply for:

Audi A0	Hatchback	05.10-
Audi A3 Sportback	Hatchback	09.04-03.13
Audi A3	Convertible	04.08-05.13
Seat Altea XL	MPV	10.06-
Seat Leon	Hatchback	07.05-
Seat Toledo II	Saloon	04.99-05.06
Seat Cordoba	Saloon	09.02-
Seat Ibiza IV	Hatchback	02.02-
Seat Ibiza V	Hatchback	03.08-
Seat Ibiza V	Coupe	07.08-
Seat Ibiza V	Estate	03.10-
Volkswagan Beetle	Hatchback	04/11-
Volkswagan Bora	Saloon	06.02-10.04
Volkswagan Golf IV	Estate	05.99-06.06
Volkswagan Golf V	Hatchback	10.03-11.08
Volkswagan Golf VI	Estate	07.09-07.13
Volkswagan Golf Plus	Hatchback	05.01-
Volkswagan New Beetle	Hatchback	06.00-09.10
Volkswagan New Beetle	Convertible	01.03-10.10
Volkswagan POLO	Hatchback	10.01-11.09

SR0181.02

**Dimension
(mm)**

146.2×55.1

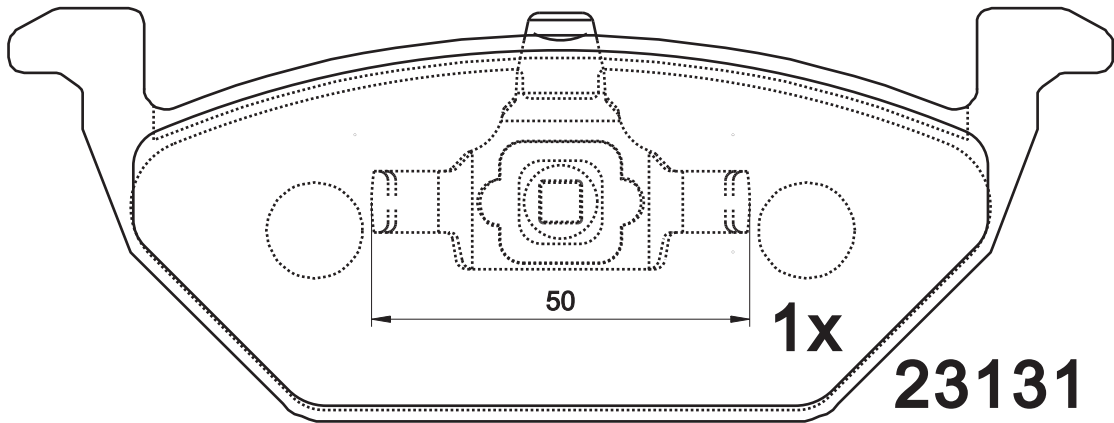
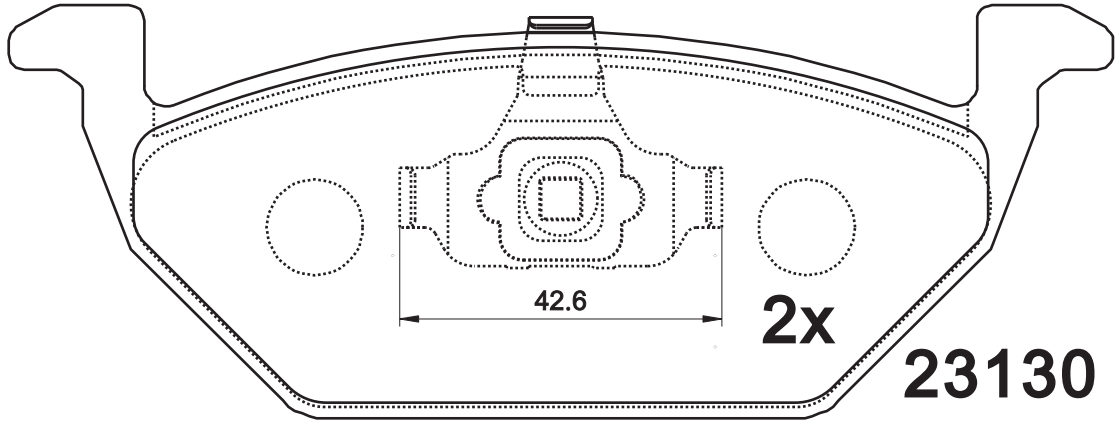
**Thickness
(mm)**

19.6



NOTE

4 identical, 1 with wear indicator: 145mm.



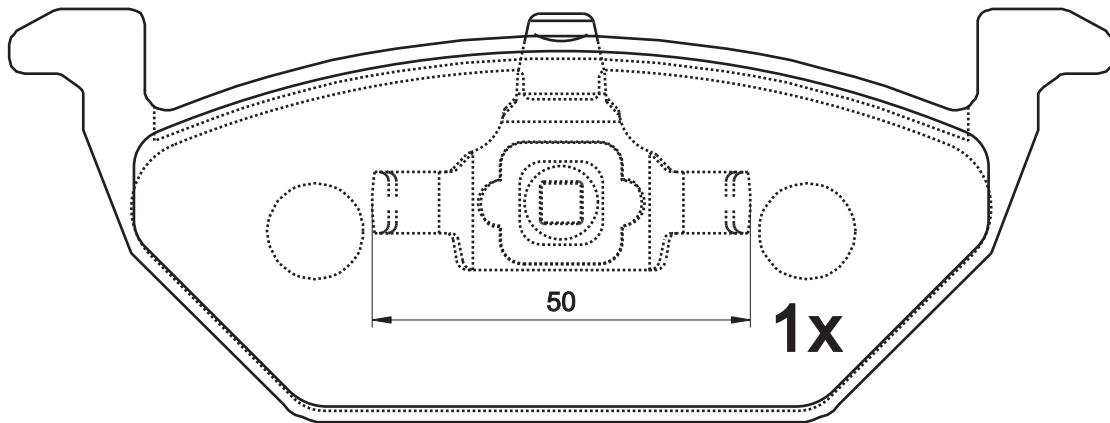
.....Next Page

SR0181.02**Dimension
(mm)**

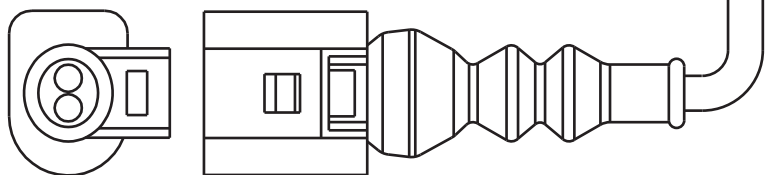
146.2×55.1

**Thickness
(mm)**

19.6

**NOTE****4 identical, 1 with wear indicator: 145mm.****23187**

X0007B 总长168mm

**Apply for:**

Audi A1	Hatchback	05.10-
Audi A3	Hatchback	09.96-05.03
Seat Ibiza V	Hatchback	06.09-
Seat Ibiza V	Estate	02.11-
Seat Toledo II	Saloon	10.98-07.04
Volkswagan Beetle	Hatchback	10/11-
Volkswagan Bora	Saloon	06.02-10.04
Volkswagan Golf IV	Hatchback	08.97-06.05
Volkswagan New Beetle	Hatchback	01.98-09.10
Volkswagan POLO	Hatchback	10.01-11.09
Volkswagan UP	Hatchback	10.01-11.09

SR0181.03

**Dimension
(mm)**

146.2×55.1

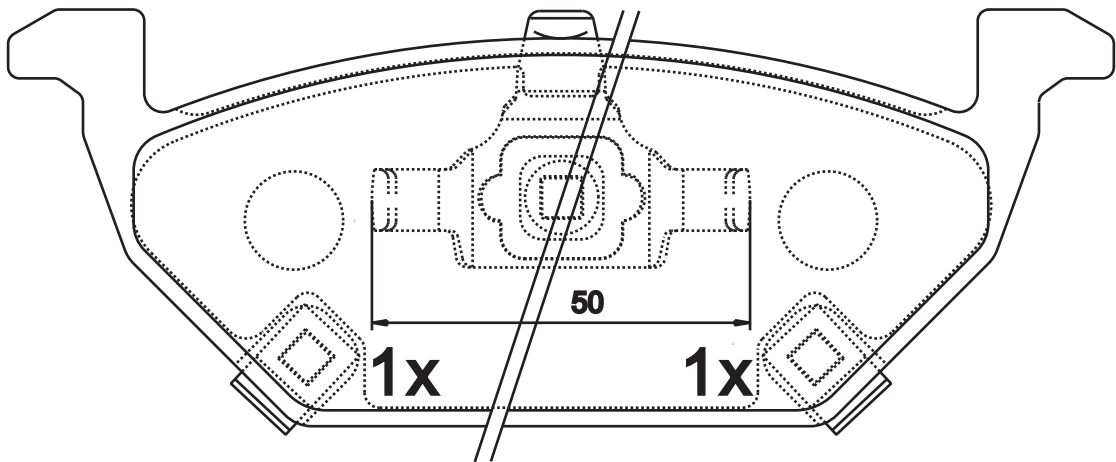
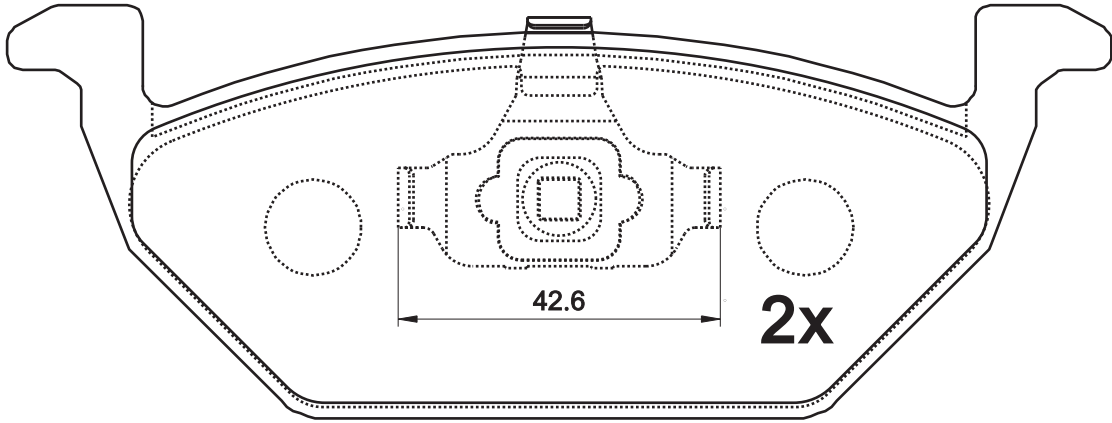
**Thickness
(mm)**

19.3





NOTE

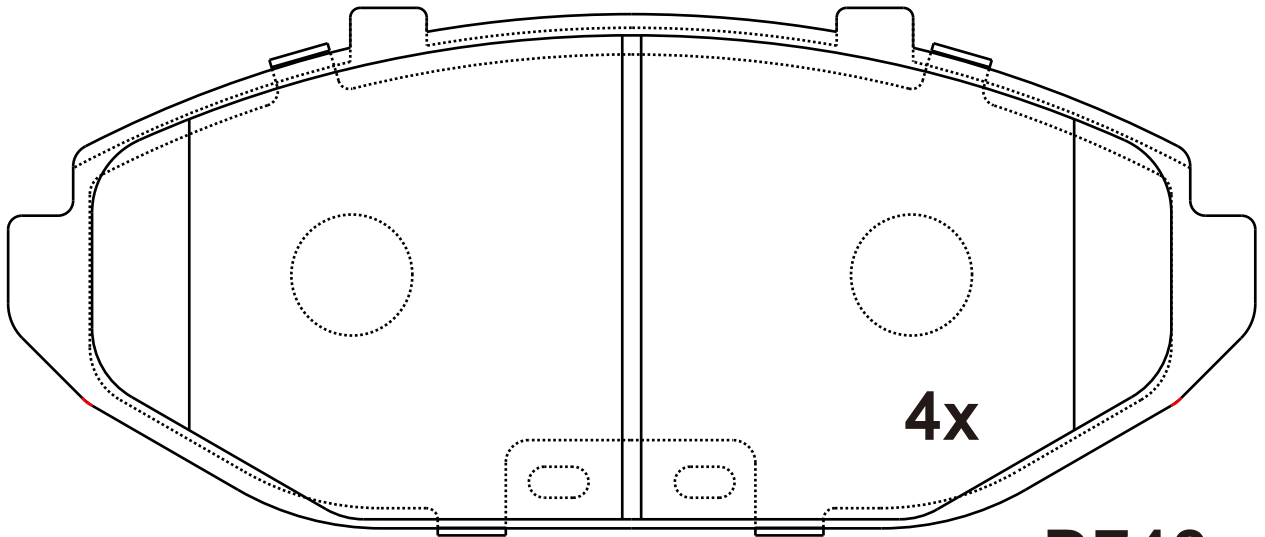
4 identical, 1 with
acoustic indicator (left),
1 with acoustic indicator
(right).



B3501017EYA

Apply for:



SR0182.01	Dimension (mm)	Thickness (mm)		NOTE 4 identical;
	165.1×68.8	16.5		



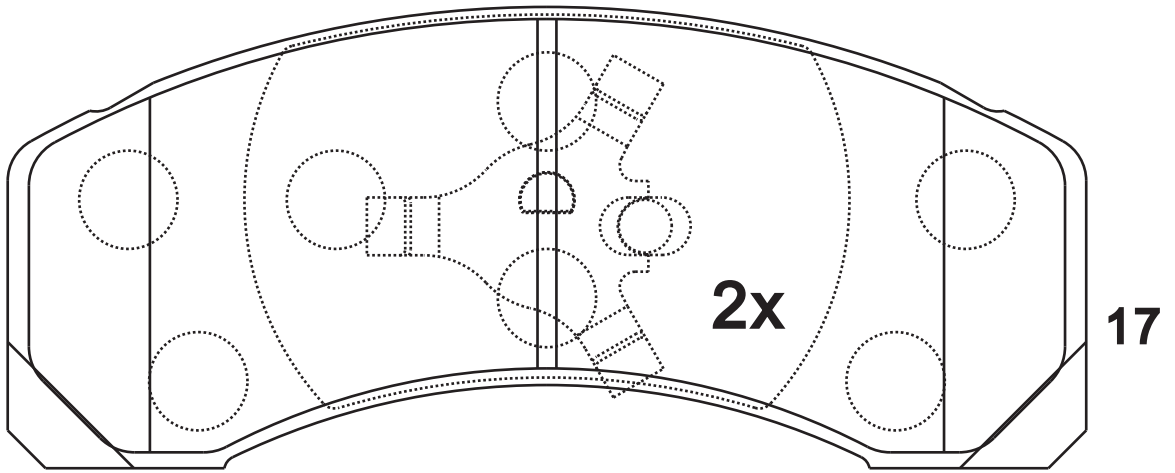
D748

Apply for:

Ford

SR0183.01	Dimension (mm)	Thickness (mm)		NOTE
	199.7/143.7×62.6/61.4	15/17		2 identical; 2 identical;

无模具



D199

Apply for:

Ford Usa Mustang Convertible
 Ford Usa Mustang Coupe

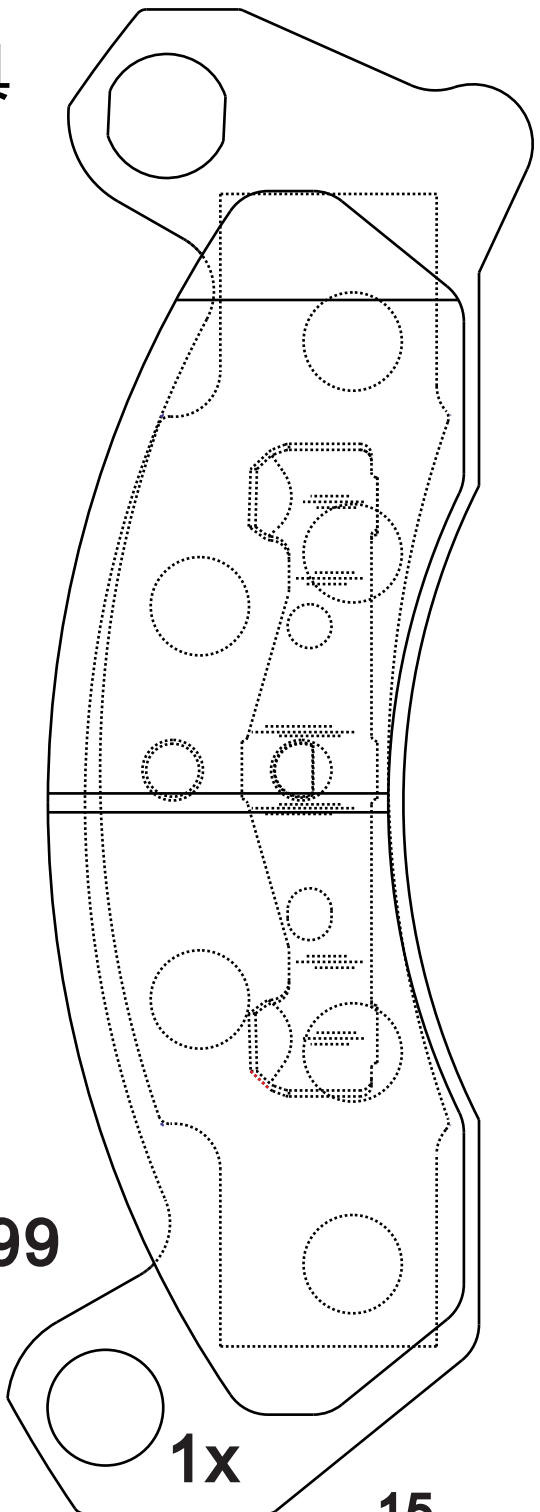
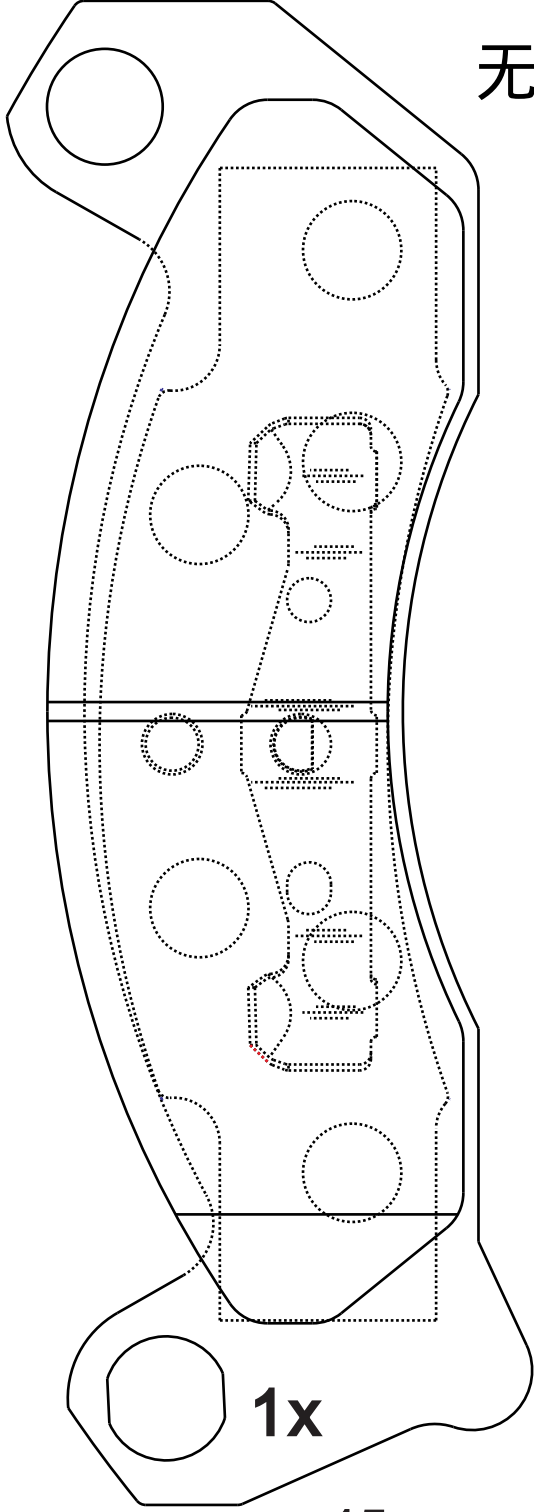
1993/09-2004/12
 1993/09-2004/12

Dimension (mm)	Thickness (mm)	
199.7/143.7×62.6/61.4	15/17	

NOTE
2 identical;2 identical;

SR0183.01

无模具



D199

Apply for:
Ford
Lincoln

SR0184.01

**Dimension
(mm)**

144.5×70.9

**Thickness
(mm)**

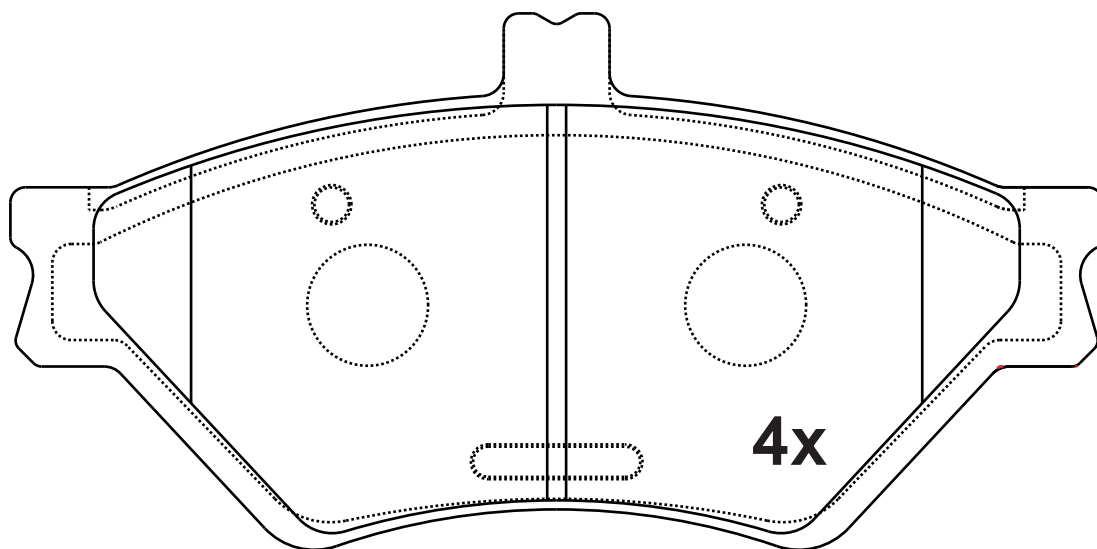
17.1



NOTE

4 identical;

无模具



D659

Apply for:

Mazda 232

1985-1989

SR0185.01

**Dimension
(mm)**

91.4×64.2

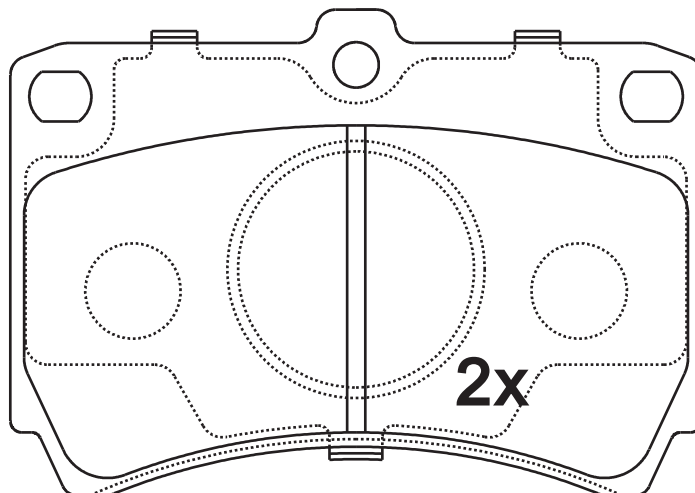
**Thickness
(mm)**

15

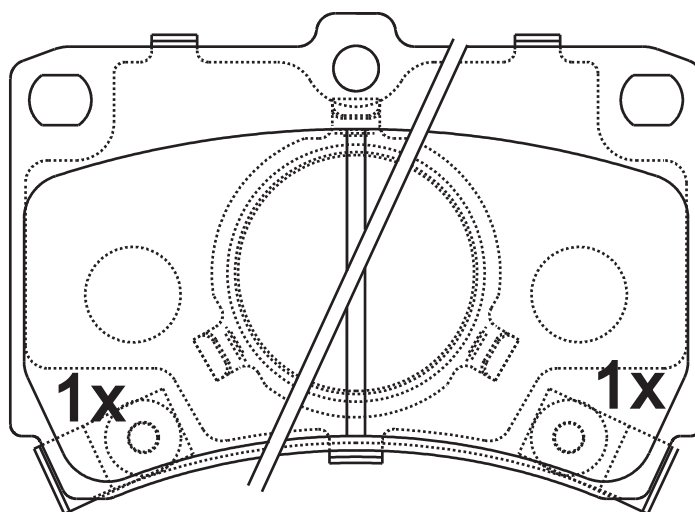


NOTE

4 identical, 1 with acoustic indicator (left), 1 with acoustic indicator (right).



21277



20039

20041

Apply for:

Mazda 323 III
Mazda 323 III
Mazda 323 III

Saloon
Estate
Hatchback

10.85-11.91
09.89-10.95
08.85-11.91

SR0185.02

**Dimension
(mm)**

**Thickness
(mm)**

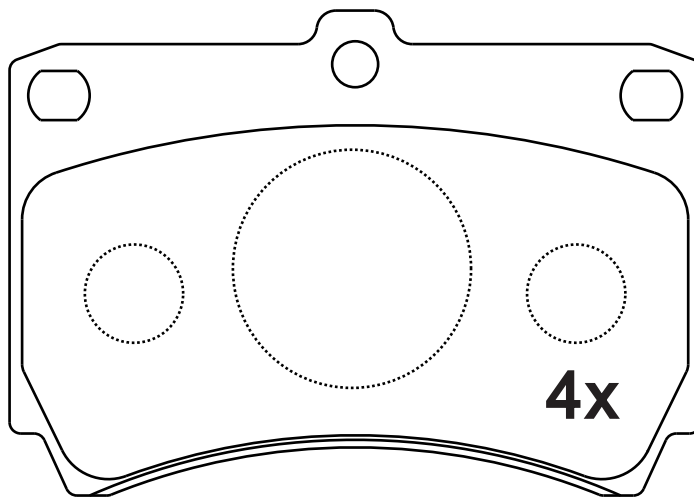


NOTE

4 identical;

91.6×64

15




21277

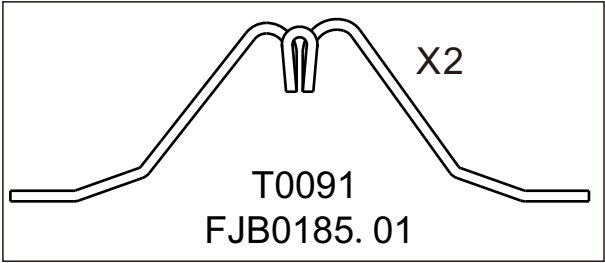
Apply for:

Mazda 323 III
Mazda 323 III
Mazda 323 III

Saloon
Estate
Hatchback

10.85-11.91
09.89-10.95
08.85-11.91

SR0185	Dimension (mm)	Thickness (mm)		NOTE



SR0186.01**Dimension
(mm)**

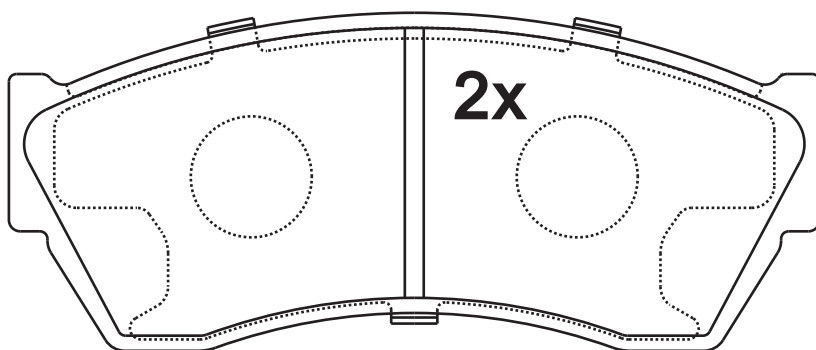
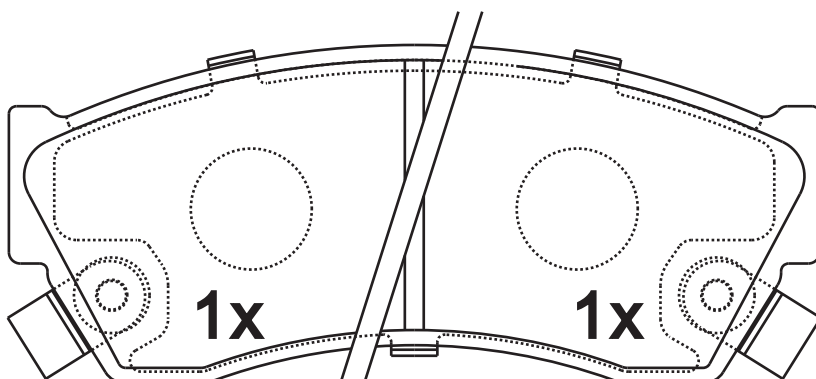
107.2×44.7

**Thickness
(mm)**

15

**NOTE**

4 identical, 1 with
acoustic indicator (left),
1 with acoustic indicator
(right).

**21333****21334****21335****Apply for:**

Suzuki Alto III	Hatchback	01.00-06.02
Suzuki Cappucina	Convertible	02.92-08.95
Suzuki Swift I	Hatchback	08.86-03.89
Suzuki Swift II	Saloon	03.89-05.01
Suzuki Swift II	Hatchback	03.89-05.01
Subaru Justy II	Hatchback	10.95-11.03
Nissan Sunny II	Saloon	06.86-10.90

SR0186.02

**Dimension
(mm)**

107.2×44.7

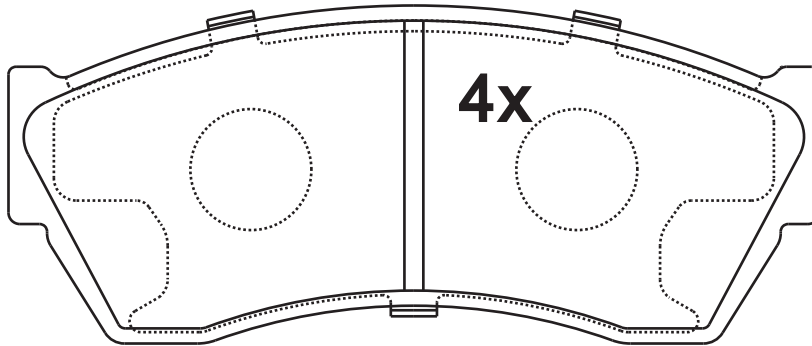
**Thickness
(mm)**

15



NOTE

4 identical;



21333

Apply for:

Suzuki Alto III	Hatchback	01.00-06.02
Suzuki Cappucina	Convertible	02.92-08.95
Suzuki Swift I	Hatchback	08.86-03.89
Suzuki Swift II	Saloon	03.89-05.01
Suzuki Swift II	Hatchback	03.89-05.01
Subaru Justy II	Hatchback	10.95-11.03
Nissan Sunny II	Saloon	06.86-10.90

SR0187.01

**Dimension
(mm)**

145×57.3

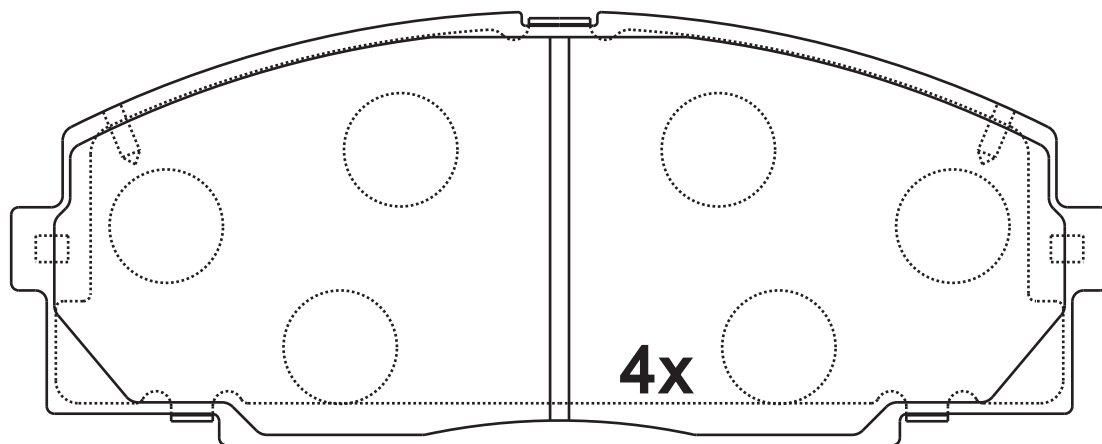
**Thickness
(mm)**

16.3



NOTE

4 identical;





21468

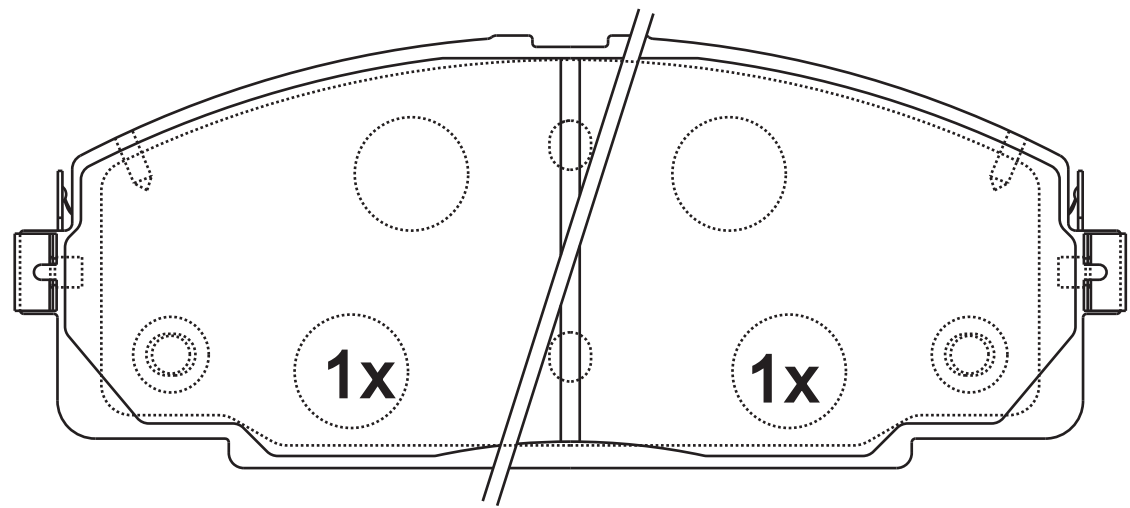
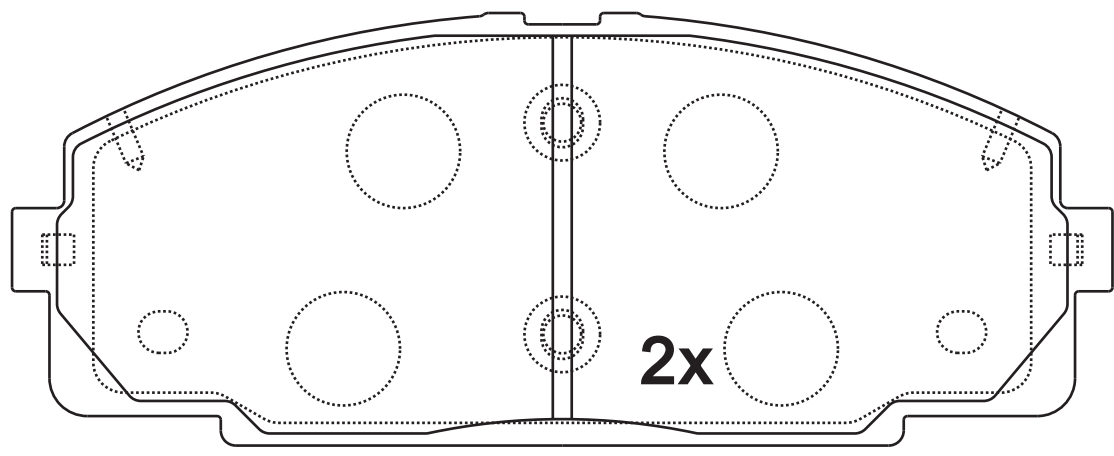
Apply for:

Toyota Hiace III	Bus	08.89-08.95
Toyota Hiace IV	Box	08.95-02.05
Toyota Hiace IV	Bus	08.95-
Toyota Dyna 100	Platform	08.85-04.95
Hyundai Sonata III	Saloon	06.06-06.98

SR0187.02

Dimension (mm)	Thickness (mm)	
145.5×57.2	16.2	

NOTE
2 identical;2 identical;





D2104

Apply for:

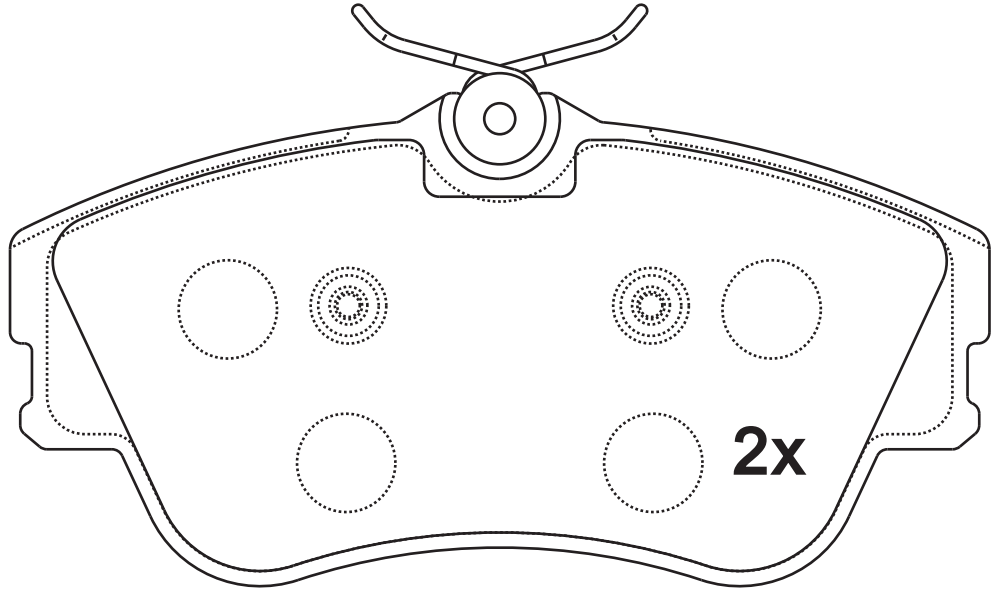
- Foton Mpx Mpv**
- Jinbei (Brilliance) Granse Mpv**
- Toyota Hiace li Box**

- 2007/03-2014/12**
- 2002/11-**
- 1982/12-1989/11**

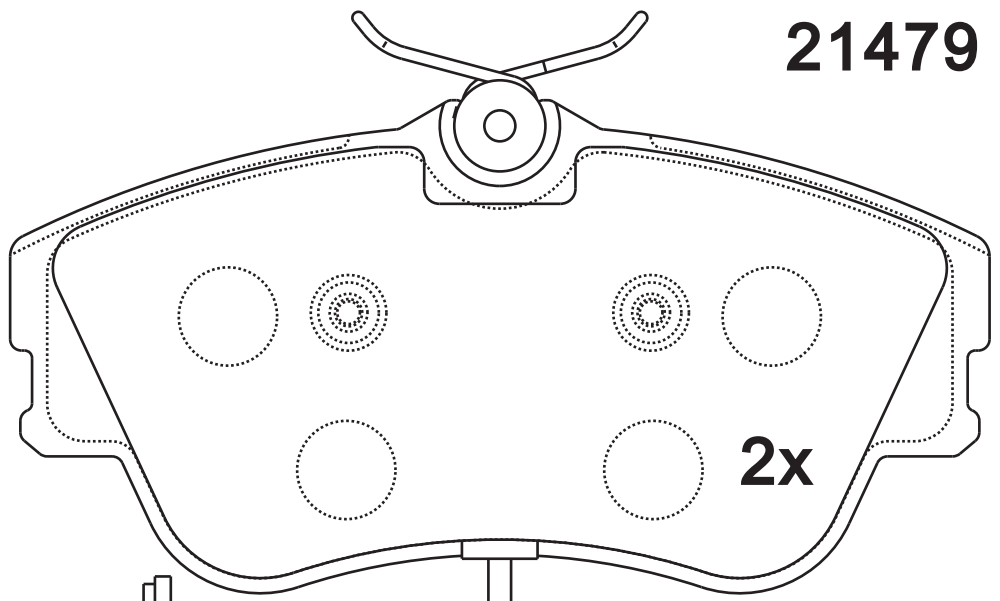
SR0188.01

Dimension (mm)	Thickness (mm)	
129.5×65.2	19.2	

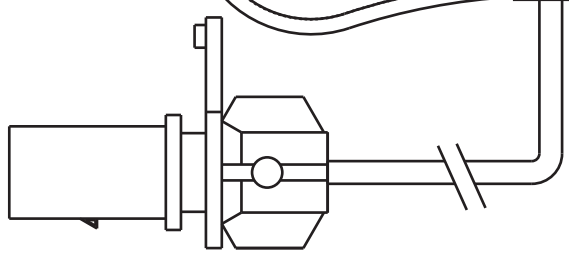
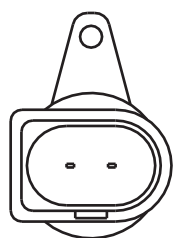
NOTE
4 identical, 2 with wear indicator: 195mm.



21479



23445



Apply for:

X0014C 总长212mm

Honda Civic III	Saloon	09.05-
Volkswagan Transporter Mk IV	Box	07.90-04.03
Volkswagan Transporter Mk IV	Bus	09.90-04.03
Volkswagan Transporter Mk IV	Platform	07.90-04.03

SR0188.02

**Dimension
(mm)**

129.5×65.2

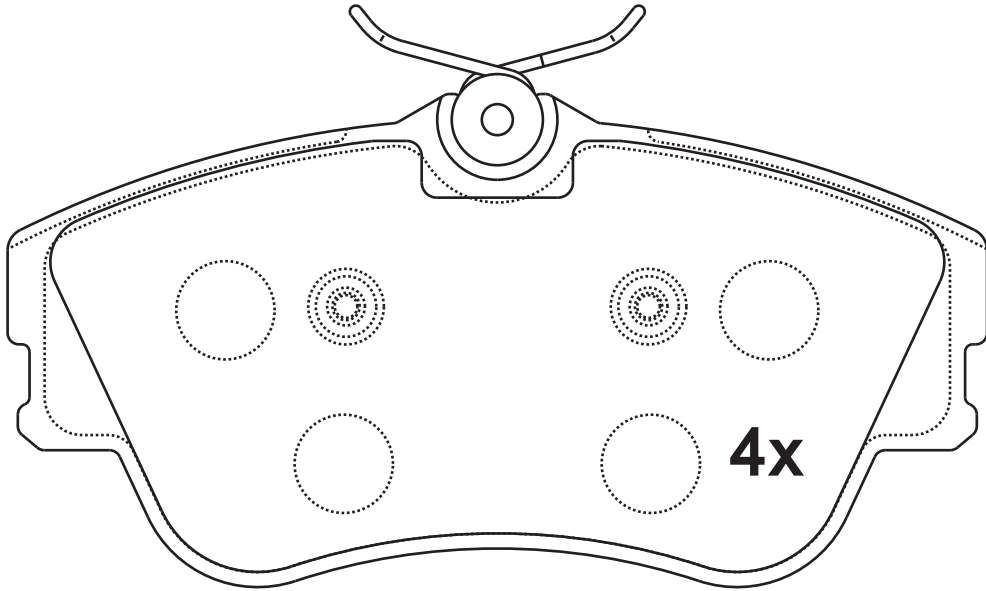
**Thickness
(mm)**

19.2



NOTE

4 identical, 2 with wear indicator: 195mm.



21479

Apply for:

Honda Civic III	Saloon	09.05-
Volkswagan Transporter Mk IV	Box	07.90-04.03
Volkswagan Transporter Mk IV	Bus	09.90-04.03
Volkswagan Transporter Mk IV	Platform	07.90-04.03

SR0188.03

**Dimension
(mm)**

129.5×65.2

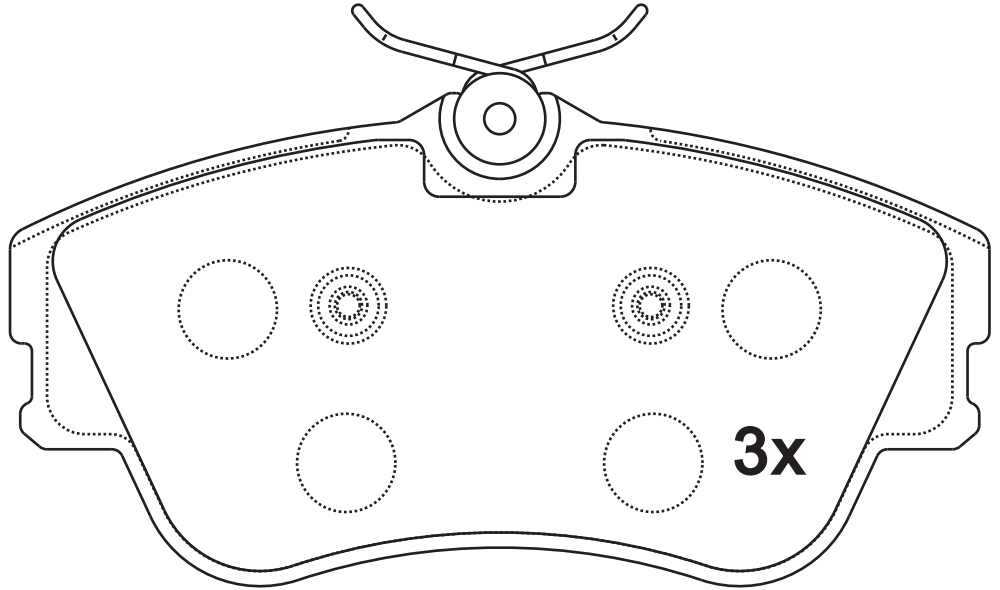
**Thickness
(mm)**

19.2

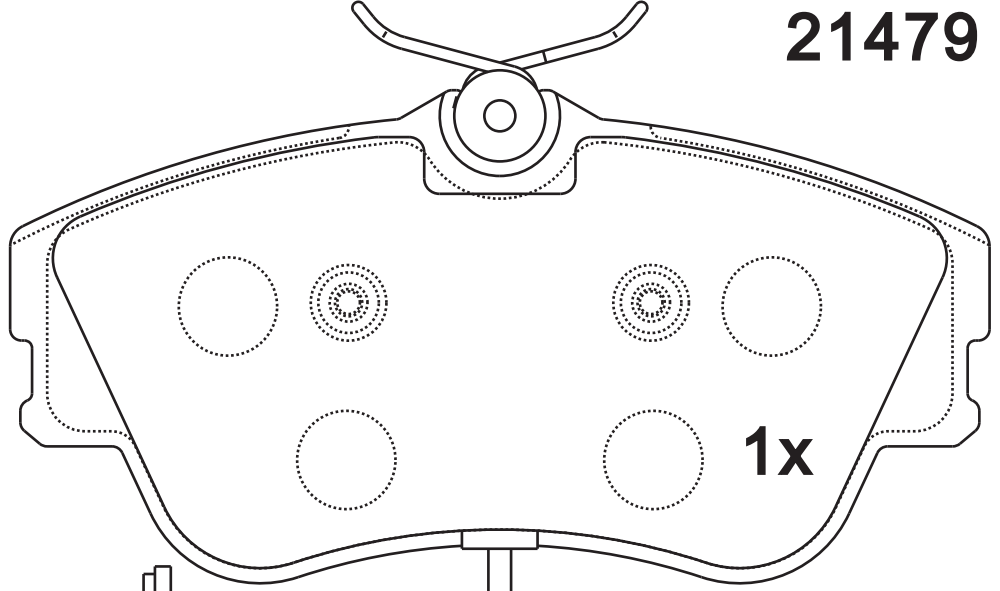


NOTE

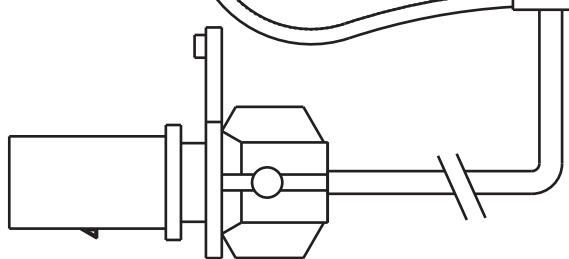
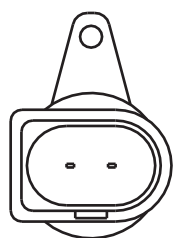
4 identical, 1 with wear indicator: 195mm.



21479




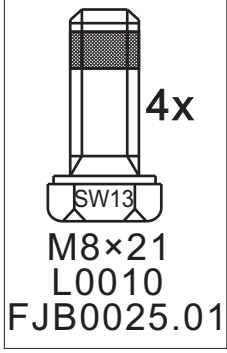
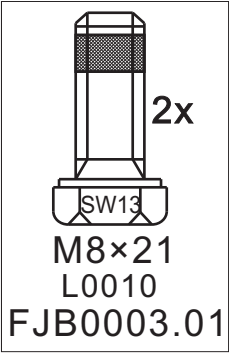
23445



Apply for: X0014C 总长212mm

Honda Civic III	Saloon	09.05-
Volkswagan Transporter Mk IV	Box	07.90-04.03
Volkswagan Transporter Mk IV	Bus	09.90-04.03
Volkswagan Transporter Mk IV	Platform	07.90-04.03

SR0188	Dimension (mm)	Thickness (mm)		NOTE



SR0189.01

**Dimension
(mm)**

110.4×54.9

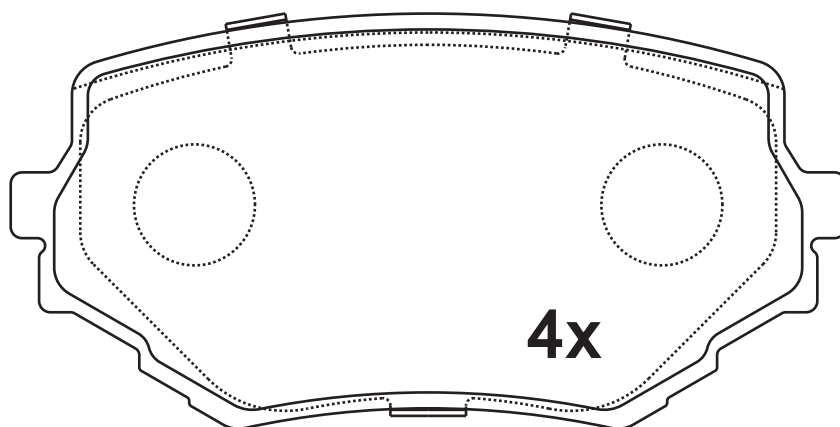
**Thickness
(mm)**

15



NOTE

4 identical;



23314



2x

Apply for:

Suzuki Grand Vitara I
Suzuki Grand Vitara I
Suzuki Vitara
Suzuki Vitara

Saloon
Closed off-Road
Saloon
Closed off-Road

03.98-07.03
03.98-
07.88-12.98
12.94-03.98

SR0190.01

**Dimension
(mm)**

95×48.8

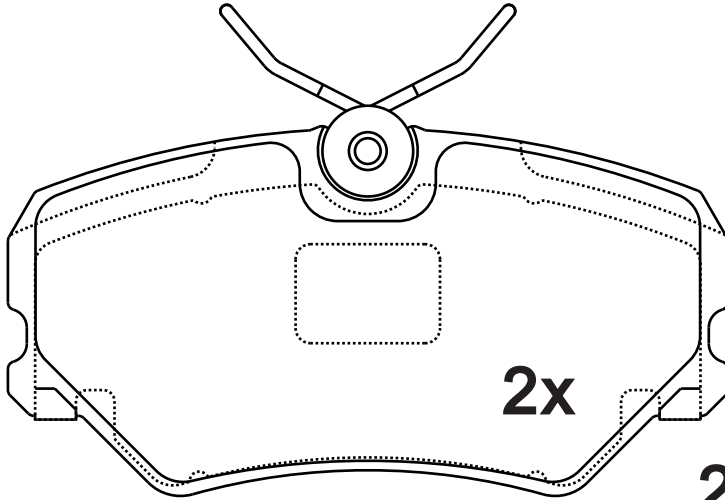
**Thickness
(mm)**

19



NOTE

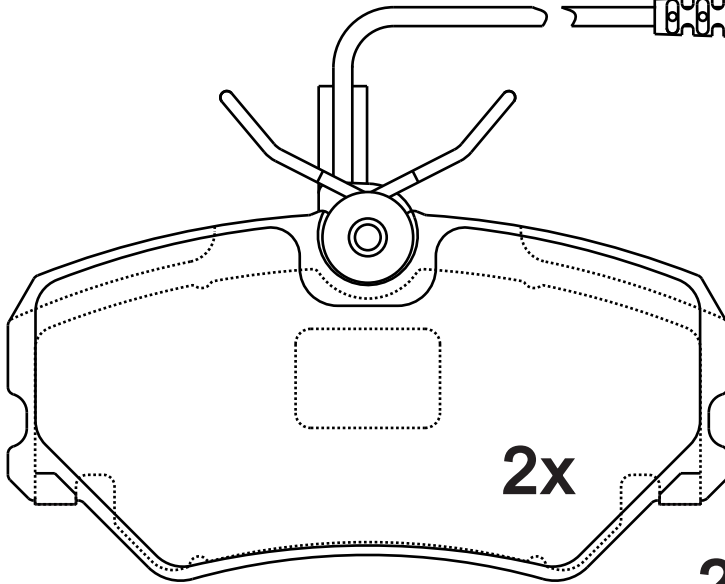
4 identical, 2 with wear indicator: 185mm.



21209



212mm



21210

Apply for:

Peugeot 405I	Saloon	07.87-12.92
Peugeot 405I	Estate	10.88-10.96
Peugeot 405II	Saloon	08.92-10.95
Peugeot 405II	Estate	08.92-10.96

SR0190.02

**Dimension
(mm)**

95×48.8

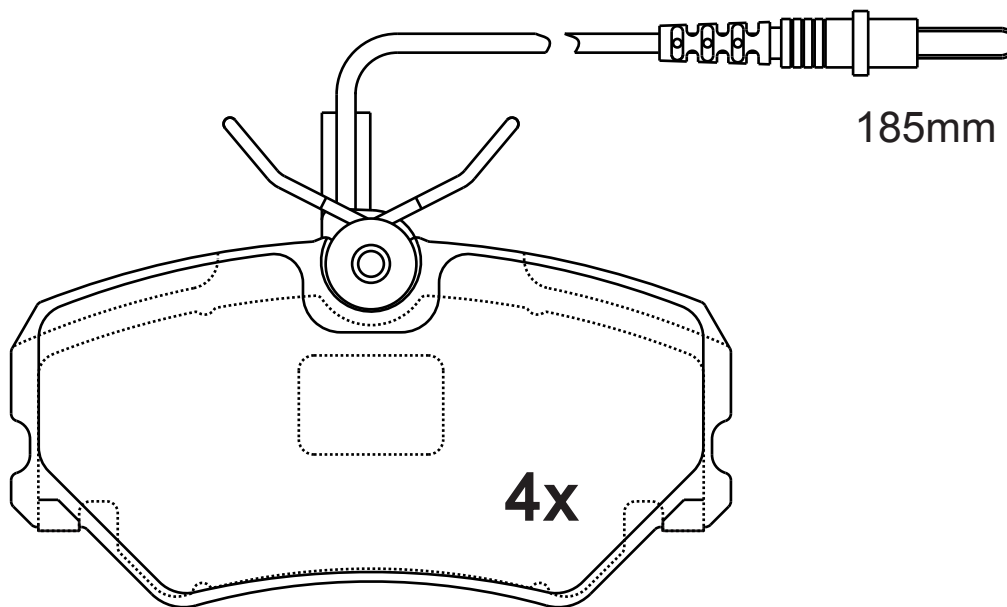
**Thickness
(mm)**

19



NOTE


4 identical, 4 with wear indicator: 185mm.

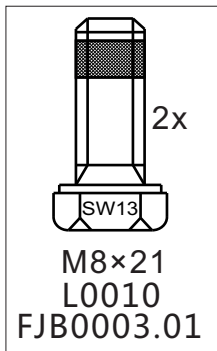


21210

Apply for:

Peugeot 405I	Saloon	07.87-12.92
Peugeot 405I	Estate	10.88-10.96
Peugeot 405II	Saloon	08.92-10.95
Peugeot 405II	Estate	08.92-10.96

SR0190	Dimension (mm)	Thickness (mm)		NOTE



SR0191.01

**Dimension
(mm)**

111.4×48.5

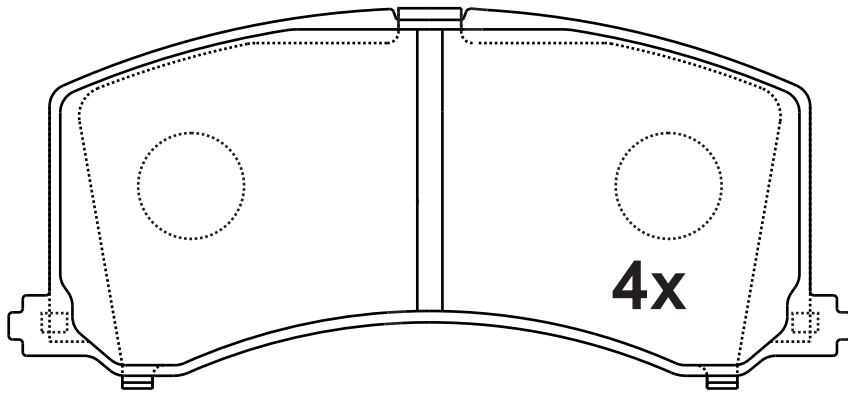
**Thickness
(mm)**

15.5



NOTE

4 identical;



23400

4x



Apply for:

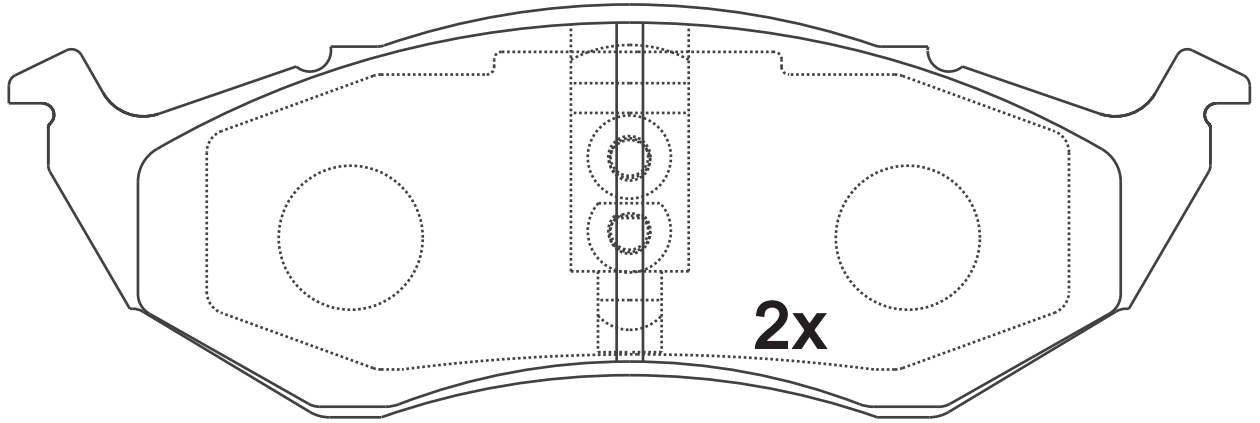
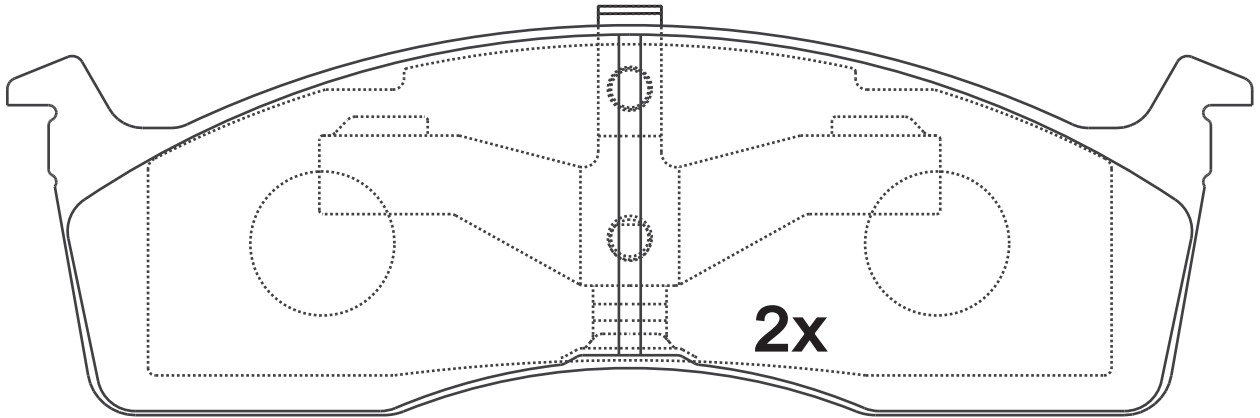
Suzuki Alto III	Hatchback	10.98-09.00
Suzuki Baleno	Saloon	04.98-05.02
Suzuki Baleno	Estate	03.97-05.02
Suzuki Baleno	Hatchback	07.95-05.02

SR0192.01**Dimension
(mm)**

165.4×54.4/51.3

**Thickness
(mm)**

16

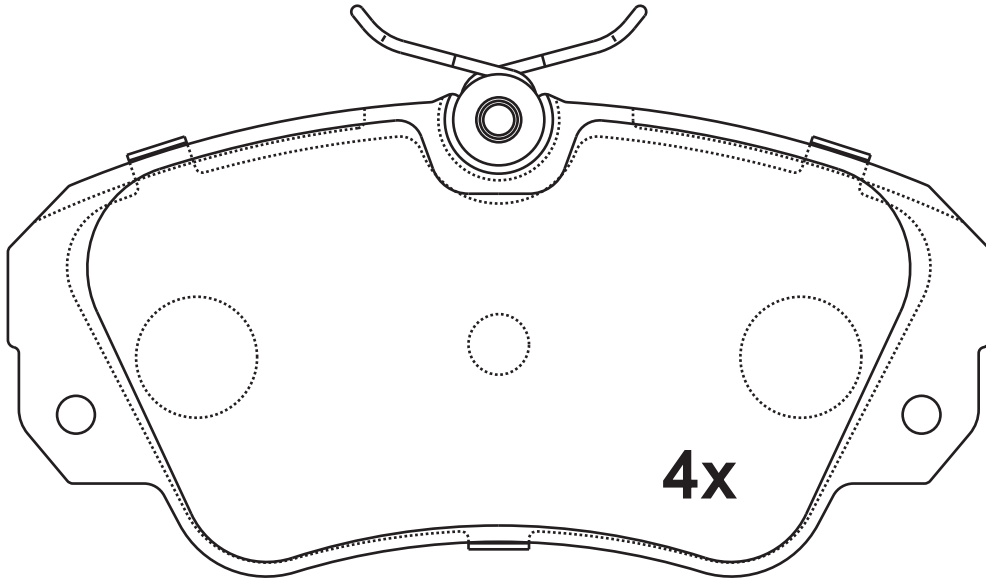
**NOTE****2 identical;2 identical
with spring.****23043****23044****Apply for:**

Chrysler Voyager III	MPV	01.95-03.01
Chrysler 300 M	Saloon	07.98-08.00
Chrysler Concorde	Saloon	10.92-09.03
Chrysler Neon	Saloon	05.94-08.99
Chrysler Neon II	Saloon	08.99-
Chrysler New Yorker	Saloon	04.93-09.98
Chrysler Vision	Saloon	09.93-

SR0193.01**Dimension
(mm)****Thickness
(mm)****NOTE****4 identical;**

129.8×63.8

18.3

**21368****Apply for:**

Opel Omega A	Saloon	03.87-03.94
Opel Omega A	Estate	03.87-03.94
Opel Omega B	Saloon	03.94-07.03
Opel Omega B	Estate	03.94-07.03
Opel Senator B	Saloon	09.87-09.93
Vauxhall Carlton III	Saloon	03.87-03.94
Vauxhall Carlton III	Estate	03.87-03.94
Vauxhall Omega	Saloon	03.94-
Vauxhall Omega	Estate	03.94-
Vauxhall Senator II	Saloon	09.87-

SR0193

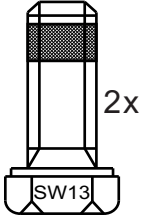
**Dimension
(mm)**

**Thickness
(mm)**



NOTE

附件包
Accessory kit



M8×21
L0010
FJB0003.01

SR0194.01

**Dimension
(mm)**

110.5/116×50.4/50

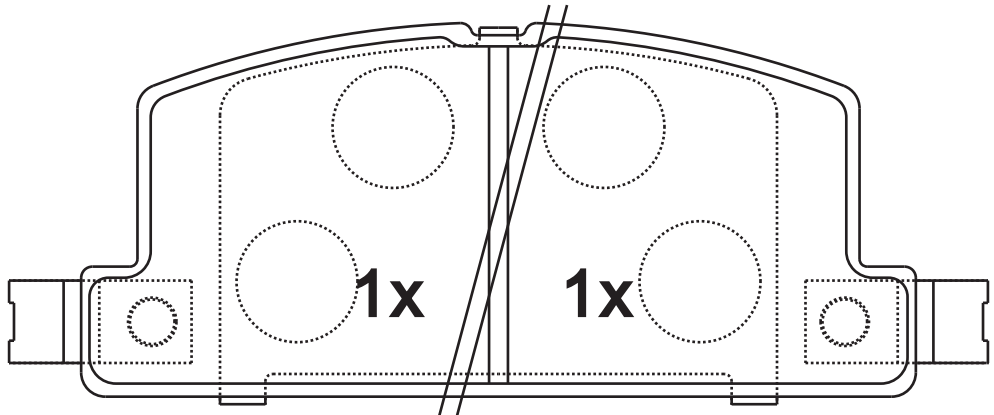
**Thickness
(mm)**

15

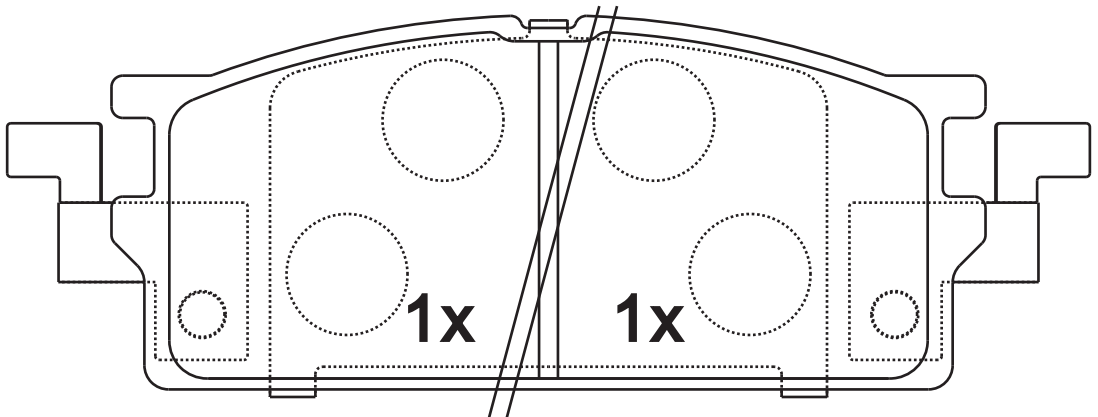


NOTE

2 identical, 1 with acoustic indicator(left), 1 with acoustic indicator(right); 2 identical, 1 with acoustic indicator(left), 1 with acoustic indicator(right).



21255





Apply for:

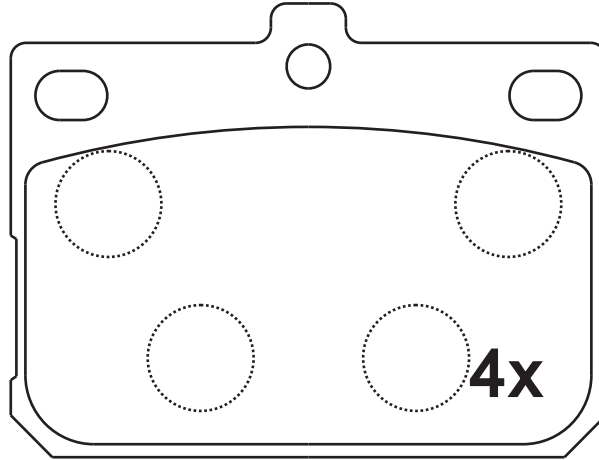
Isuzu Trooper

Open off-Road

11.85-12.91

SR0195.01	Dimension (mm)	Thickness (mm)		NOTE
	78.7×60	14.5		4 identical;



无模具

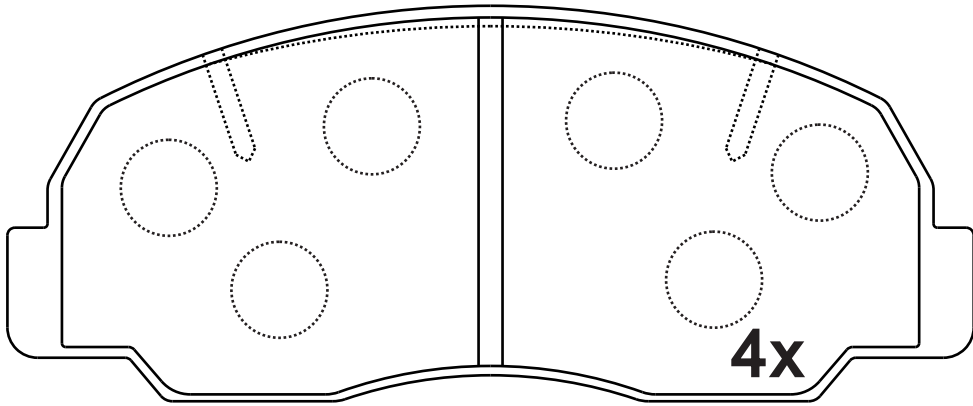


20703

Apply for:

Daihatsu Charmant	Saloon	10.81-07.87
Hyundai Pony	Saloon	06.74-09.89
Hyundai Pony	Station Wagon	02.78-06.86
Mitsubishi Celeste	Saloon	10.75-06.81
Mitsubishi Colt Lancer	Saloon	01.78-09.79
Mitsubishi Colt Lancer	Station Wagon	01.78-09.79
Mitsubishi Colt	Saloon	12.78-03.84
Mitsubishi Galant	Eatate	01.79-08.80
Mitsubishi Galant	Saloon	01.77-08.80
Mitsubishi Lancer MK II	Saloon	03.83-09.86
Mitsubishi Lancer	Saloon	09.79-02.83
Mitsubishi Sapporo	Saloon	04.78-07.80
Toyota Corolla	Saloon	09.79-09.85
Toyota Corolla	Hatchback	09.79-09.83
Toyota Corolla	Station Wagon	12.79-08.87

SR0196.01	Dimension (mm)	Thickness (mm)		NOTE 4 identical;
	127.8×52.3	14		



21243

Apply for:

Daihatsu Rocky Hard Top	Closed off-Road	09.91-04.93
Daihatsu Feroza	Closed off-Road	10.88-
Daihatsu Feroza	Open off-Road	10.88-

SR0197.01

**Dimension
(mm)**

**Thickness
(mm)**



NOTE

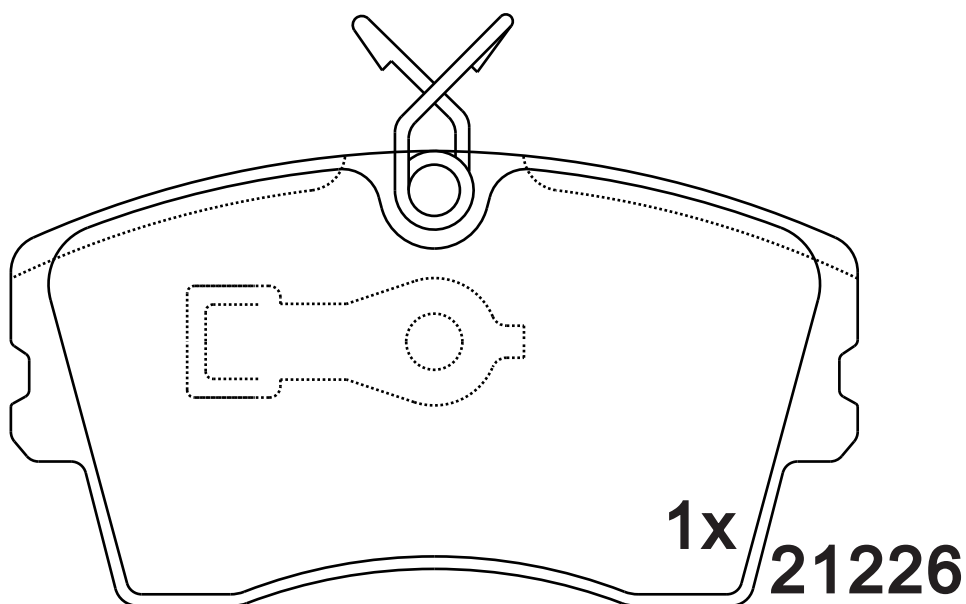
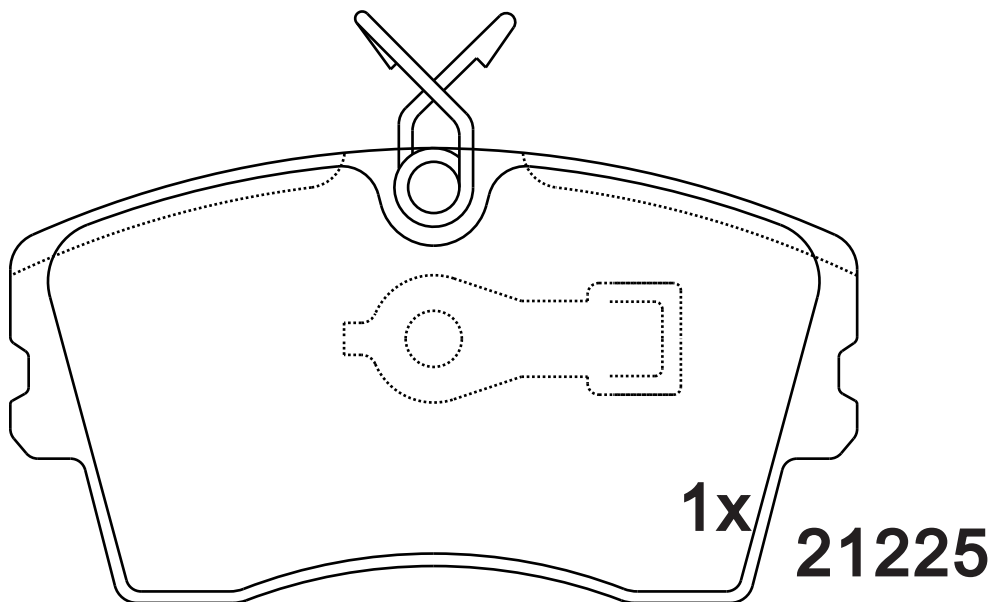
4 identical, 2 with spring.

112×60

17.5



无模具



.....Next Page

SR0197.01

**Dimension
(mm)**

**Thickness
(mm)**



NOTE

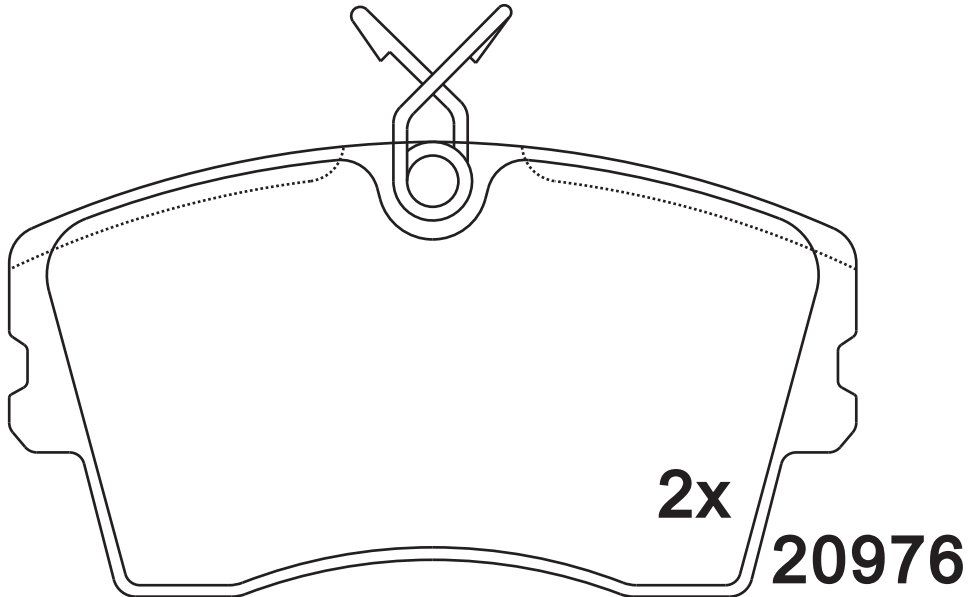
4 identical, 2 with spring.

112×60

17.5



无模具



Apply for:

Opel Monza A	Saloon	02.78-08.86
Opel Omega A	Saloon	09.86-05.94
Opel Omega A	Estate	09.86-05.94
Opel Senator A	Saloon	02.78-08.87
Opel Senator B	Saloon	09.87-09.93
Vauxhall Carlton Mk III	Sallon	09.86-03.94
Vauxhall Carlton Mk III	Estate	09.86-03.94
Vauxhall Senator	Saloon	02.78-08.87
Vauxhall Senator Mk III	Saloon	09.87-09.93

SR0198.01

**Dimension
(mm)**

**Thickness
(mm)**

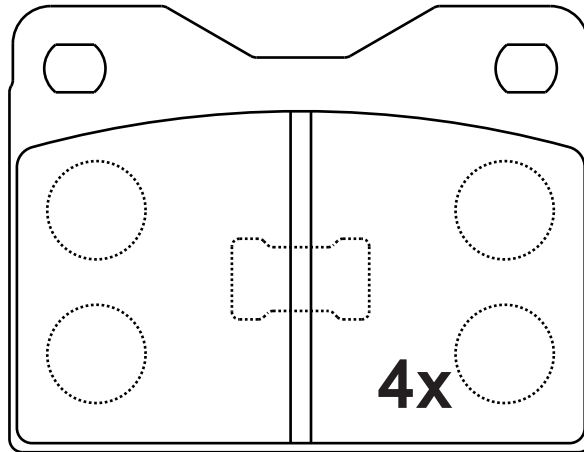


NOTE

4 identical;

76.55×58.7

15.2



20260

Apply for:

Peugeot 104	Hatchback	10.72-06.88
Peugeot 304	Saloon	10.69-10.79
Peugeot 305I	Saloon	11.77-09.82
Peugeot 305II	Saloon	10.82-08.85

SR0198.02

**Dimension
(mm)**

76.55×58.7

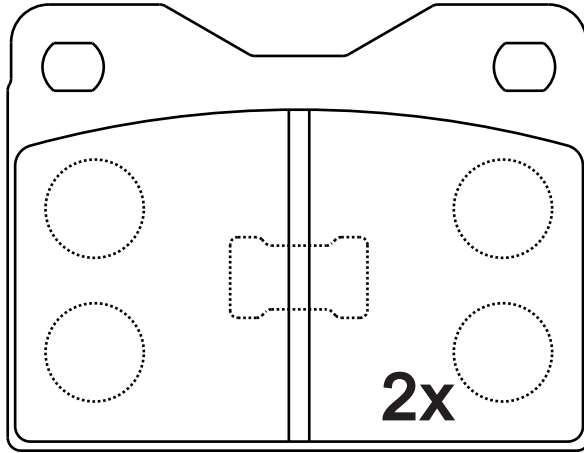
**Thickness
(mm)**

15.2

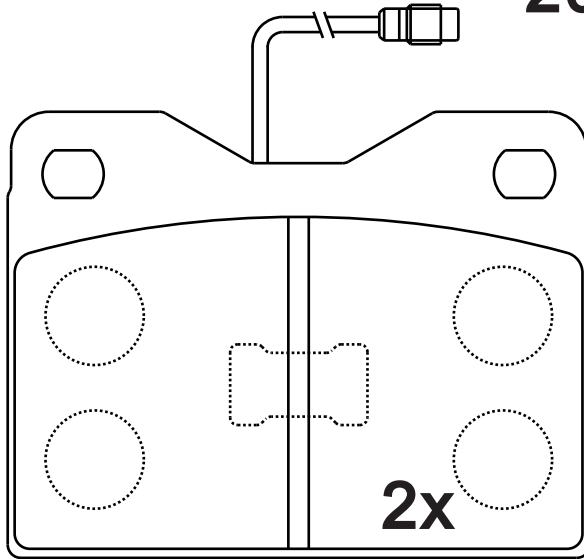


NOTE

4 identical, 2 with wear contact.



20260



Apply for:

Peugeot 104
Peugeot 304
Peugeot 305I
Peugeot 305II

Hatchback
Saloon
Saloon
Saloon

10.72-06.88
10.69-10.79
11.77-09.82
10.82-08.85

SR0199.01**Dimension
(mm)**

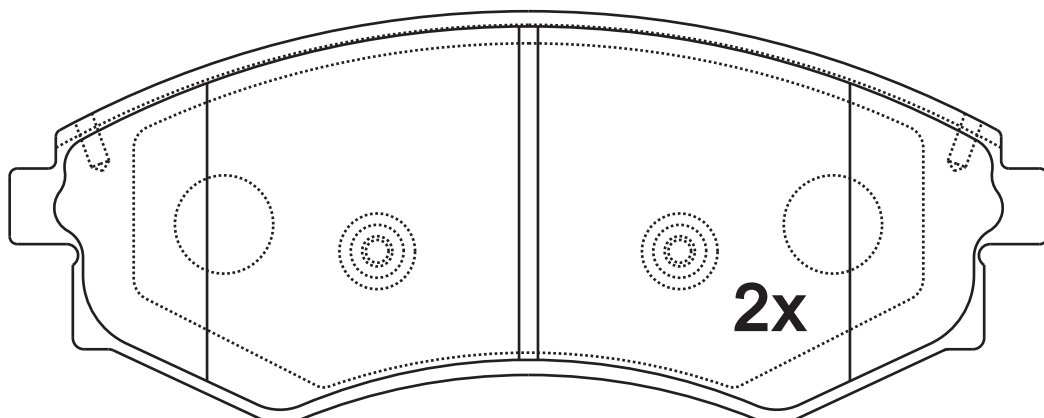
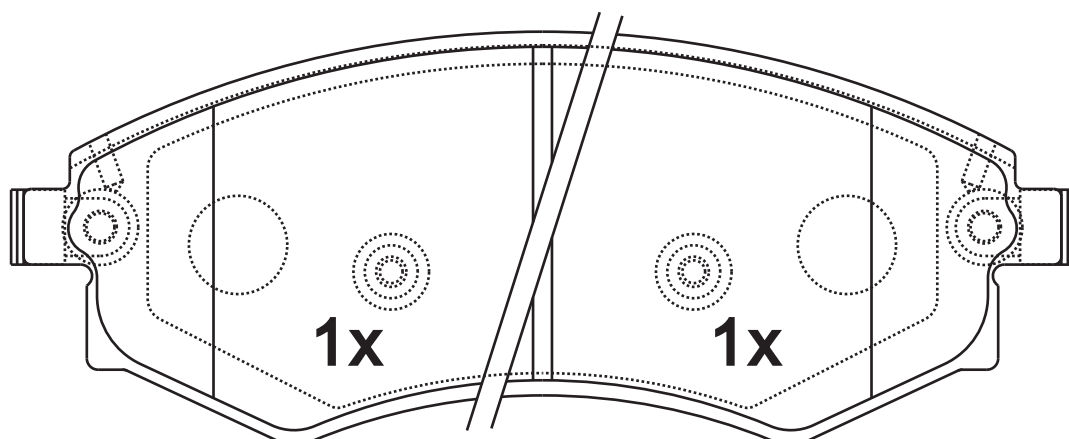
137.2×54.1

**Thickness
(mm)**

17

**NOTE**

4 identical, 1 with
acoustic indicator (left),
1 with acoustic indicator
(right).

**21725****21726****21727****Apply for:**

Hyundai Elantra	Hatchback	06.00-07.06
Hyundai Elantra	Saloon	06.00-07.06
Hyundai Lantra II	Saloon	11.95-09.00
Hyundai Lantra II	Estate	02.96-10.00
Hyundai Matrix	MPV	06.01-08.10
Hyundai Sonata III	Saloon	05.93-06.98
Hyundai Sonata IV	Saloon	06.98-10.01
Kia Joice	MPV	02.00-

SR0200.01

**Dimension
(mm)**

116.5×45.2

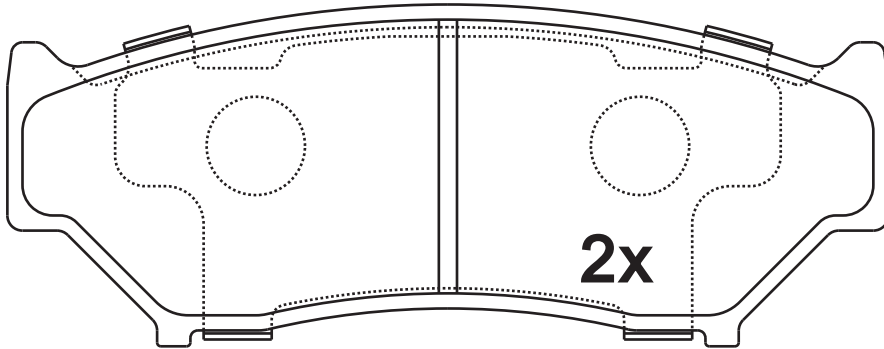
**Thickness
(mm)**

16

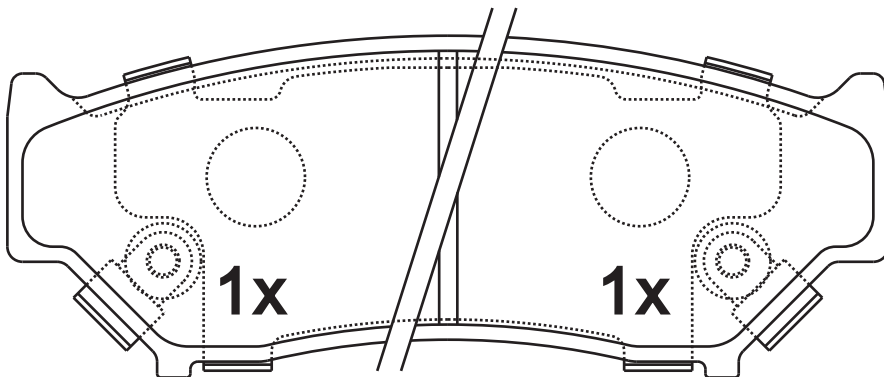


NOTE

4 identical, 1 with acoustic indicator (left), 1 with acoustic indicator (right).



21907



21908

21909

Apply for:

Suzuki Jimmy

Closed off-Road

12.03-

Suzuki Grand Vitara

Closed off-Road

03.98-

SR0201.01

**Dimension
(mm)**

103.3×43.4

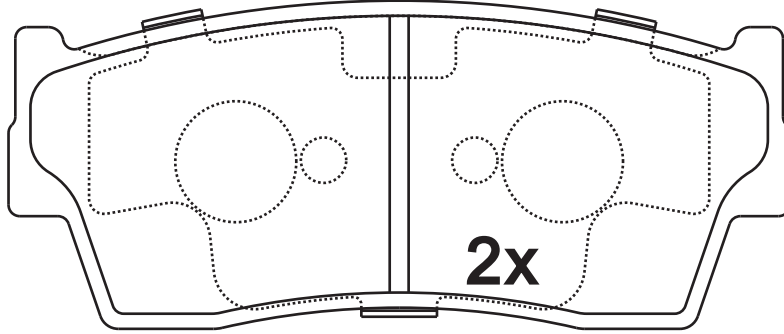
**Thickness
(mm)**

15

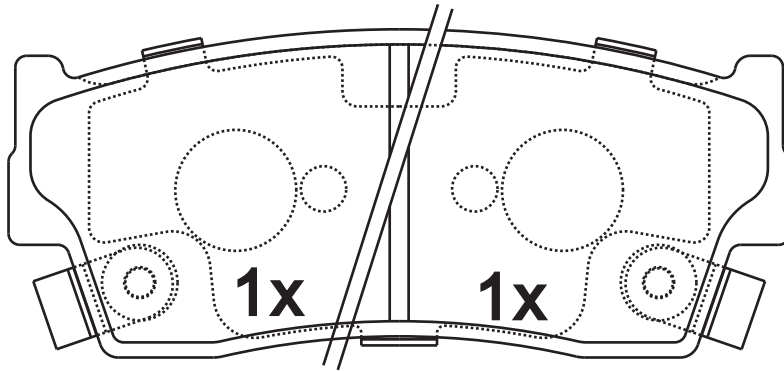


NOTE

4 identical, 1 with acoustic indicator (left), 1 with acoustic indicator (right).



21500



21501

21502

Apply for:

Suzuki Grand Vitara II	Closed off-Road	04.05-
Suzuki Vitara	Closed off-Road	07.88-03.98
Suzuki Vitara	Open off-Road	07.88-03.99
Suzuki X-90	Open off-Road	09.95-

SR0202.01

**Dimension
(mm)**

145.5×59

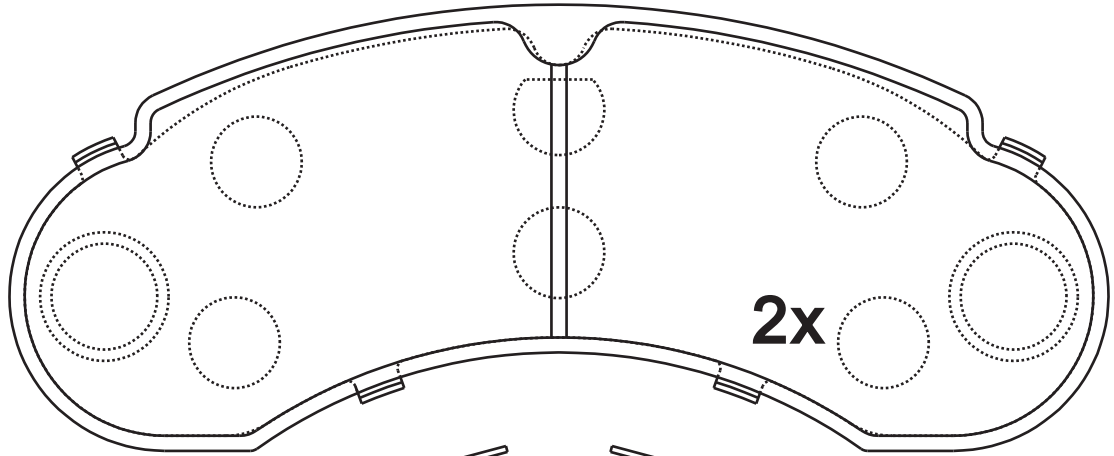
**Thickness
(mm)**

14

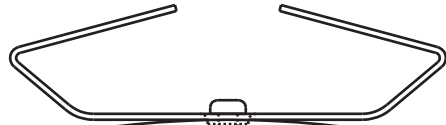


NOTE

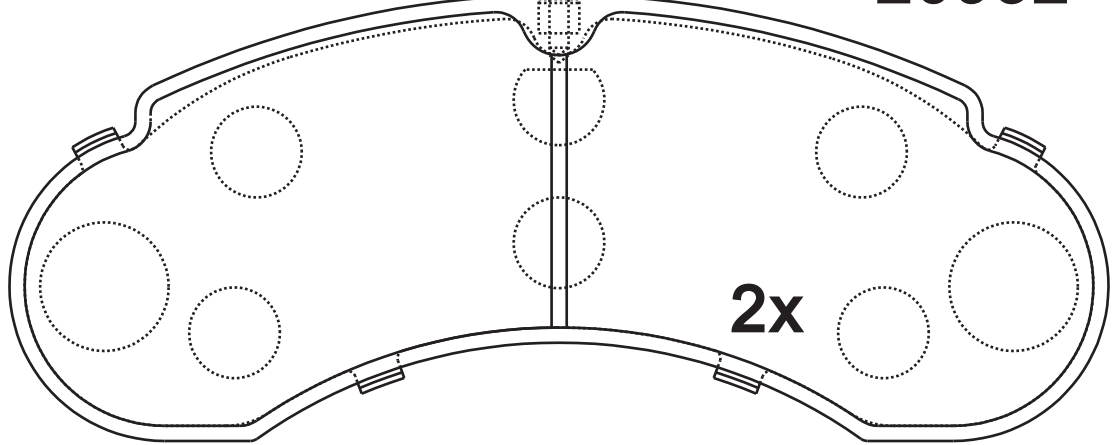
**4 identical, 2 with
acoustic indicator on
the top.**



2x



20932



2x

20934

Apply for:

Mercedes 100
Mercedes 100
Mercedes 100

Box
Bus
Platform

02.88-02.96
02.88-02.96
02.88-02.96

SR0203.01

**Dimension
(mm)**

129.3×56.5

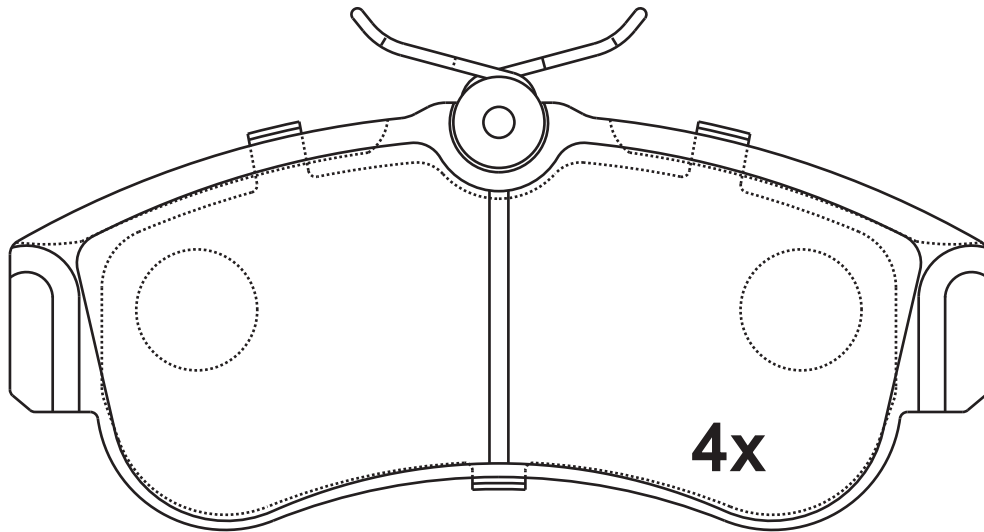
**Thickness
(mm)**

17.3



NOTE

4 identical;



21546

Apply for:

Nissan Almera II
Nissan Almera II
Nissan Primera
Nissan Primera

Hatchback
Saloon
Saloon
Hatchback

03.00-
07.00-
06.90-06.96
06.90-07.02

SR0204.01

**Dimension
(mm)**

133.3×47.3

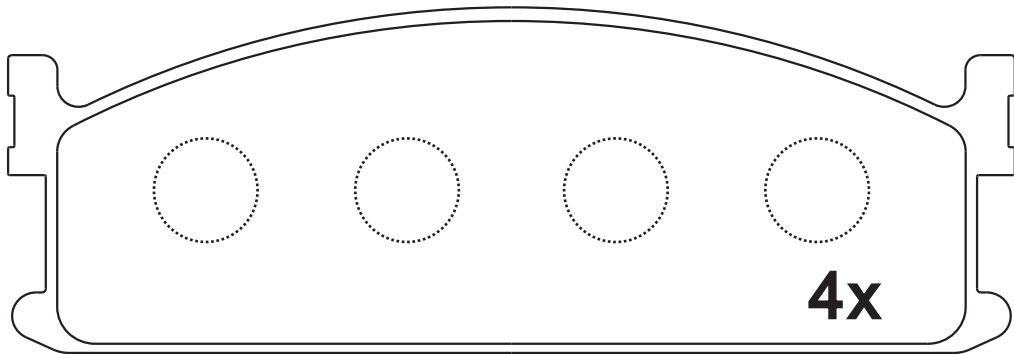
**Thickness
(mm)**

15.5



NOTE

4 identical;



21115

Apply for:

Isuzu Midi	Box	01.88-
Isuzu Midi	Bus	01.89-
Isuzu Midi	Van	01.88-
Vauxhall Midi I	Bus	09.84-05.88
Vauxhall Midi II	Bus	06.88-

SR0205.01

**Dimension
(mm)**

**Thickness
(mm)**

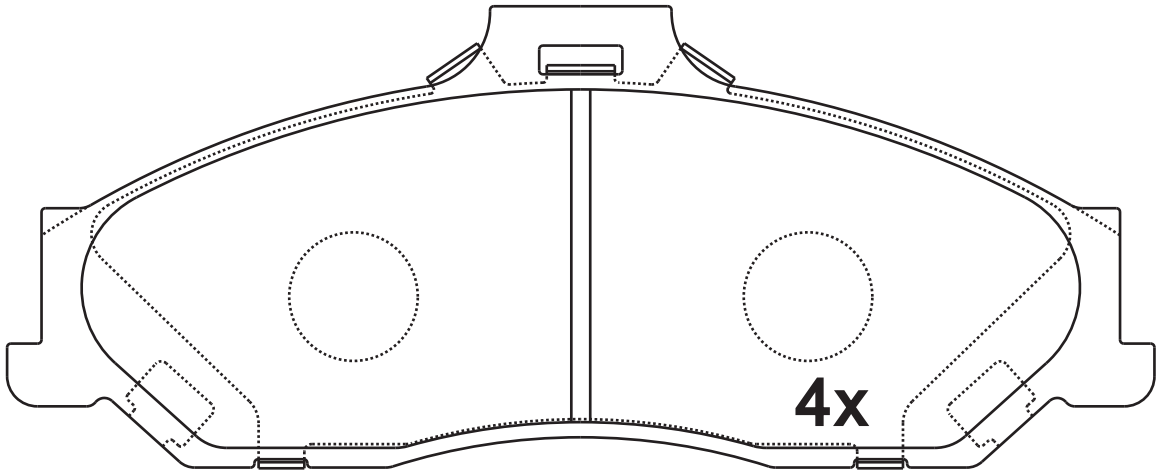


NOTE

4 identical;

151.7×61

17



23540

Apply for:

Ford Ranger
Mazda B-serie
Mazda BT-50

Pick up
Pick up
Pick up

10.99-
01.85-03.05
12.06-

SR0206.01

**Dimension
(mm)**

130.7×47.1

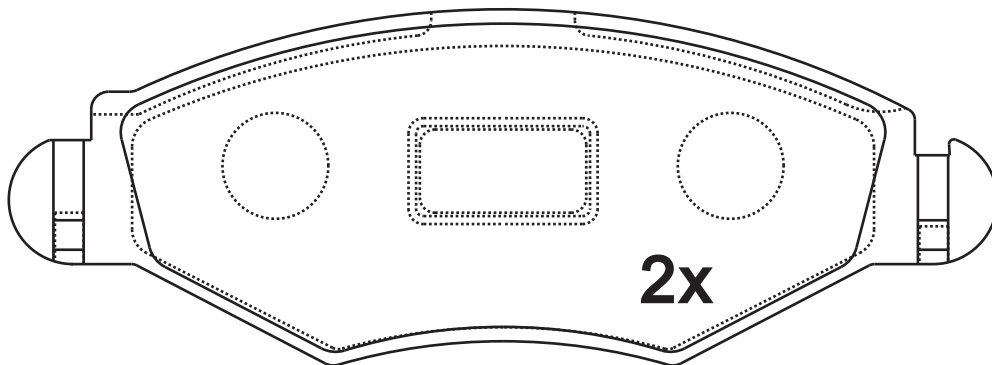
**Thickness
(mm)**

18

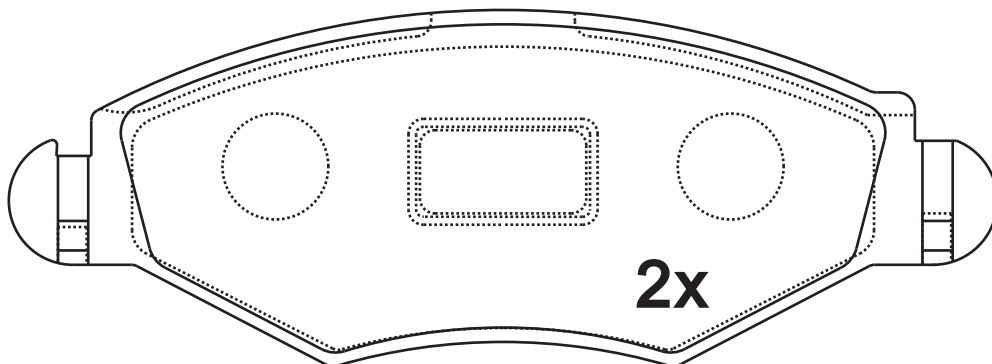


NOTE

2 identical;2 identical;



23598



23597



8x

Apply for:

Peugeot 206
Peugeot 206

Hatchback
Saloon

08.98-
03.07-

SR0206

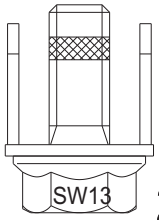
**Dimension
(mm)**

**Thickness
(mm)**



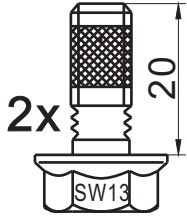
NOTE

**附件包
Accessory bag**



2x

M8X1X20
L0009
FJB0206.01



2x

20

M8X1
L0033
FJB0206.02

SR0207.01

**Dimension
(mm)**

88.1×64.1

**Thickness
(mm)**

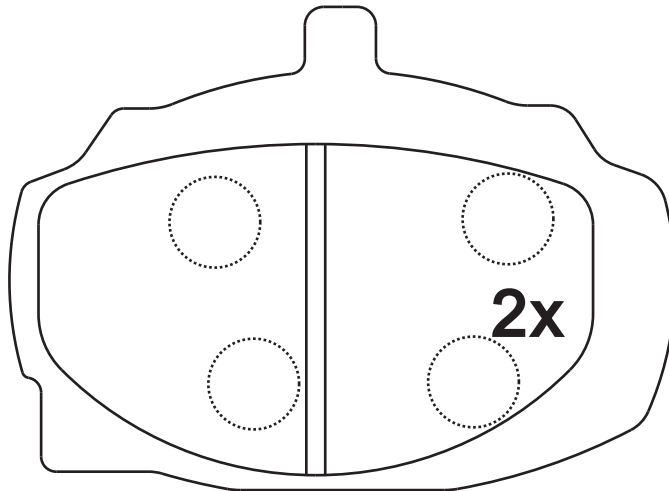
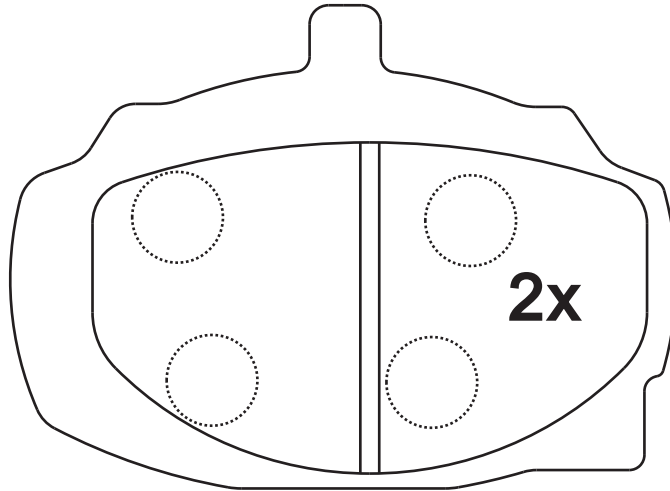
15



NOTE

2 identical;2 identical;

无模具



Apply for:

Paykan

SR0207.02

**Dimension
(mm)**

**Thickness
(mm)**

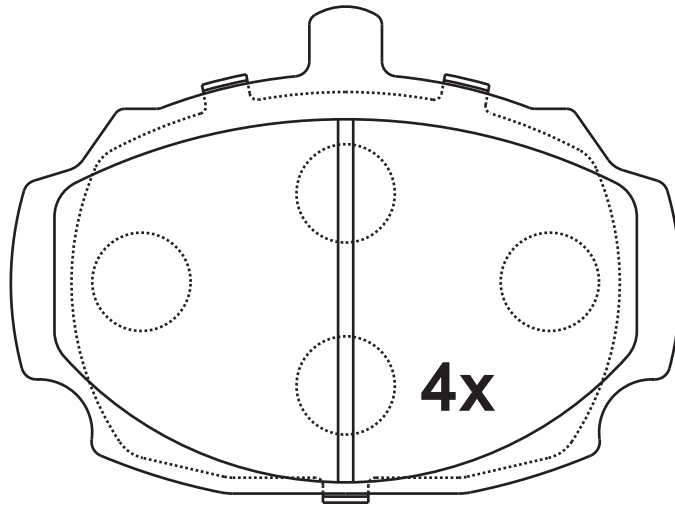


NOTE

4 identical;

88×64

15



20037

Apply for:

MG MGB

1962-1981

SR0208.01

**Dimension
(mm)**

121×50.4

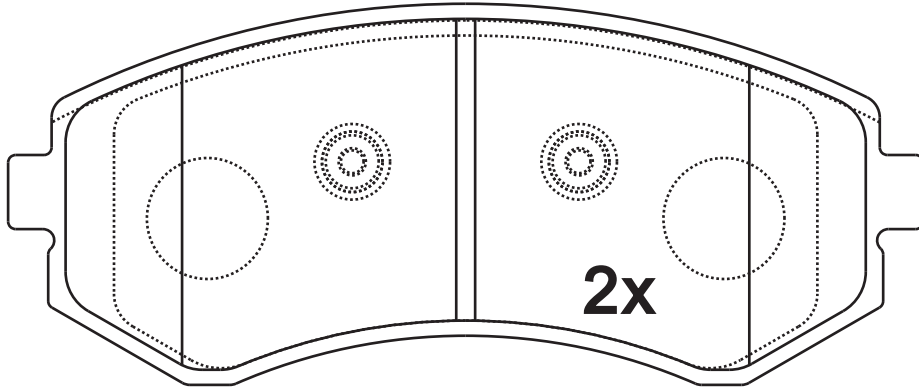
**Thickness
(mm)**

16



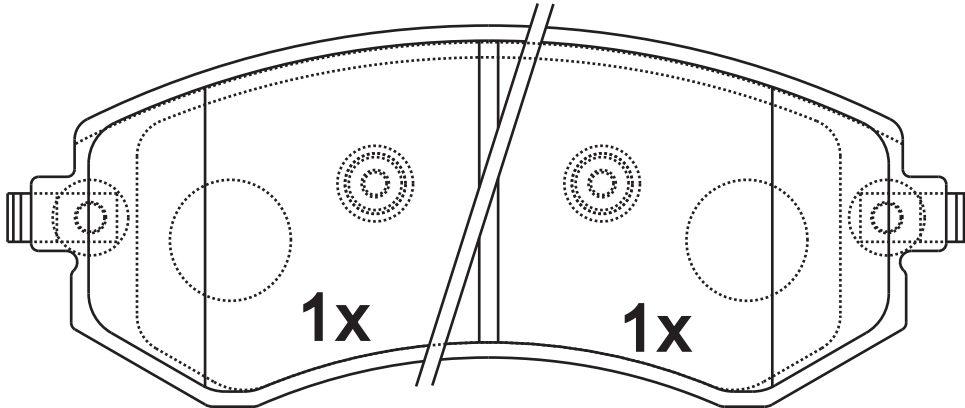
NOTE

4 identical, 1 with acoustic indicator (left), 1 with acoustic indicator (right).



2x

23502



1x

1x

23503

23504

Apply for:

Nissan Patrol GR II	Closed off-Road	05.00-
Nissan Sunny III	Hatchback	10.90-05.95
Nissan Almera I	Saloon	09.95-07.00
Nissan Almera I	Hatchback	09.95-03.00

SR0209.01

**Dimension
(mm)**

177.2×68.5

**Thickness
(mm)**

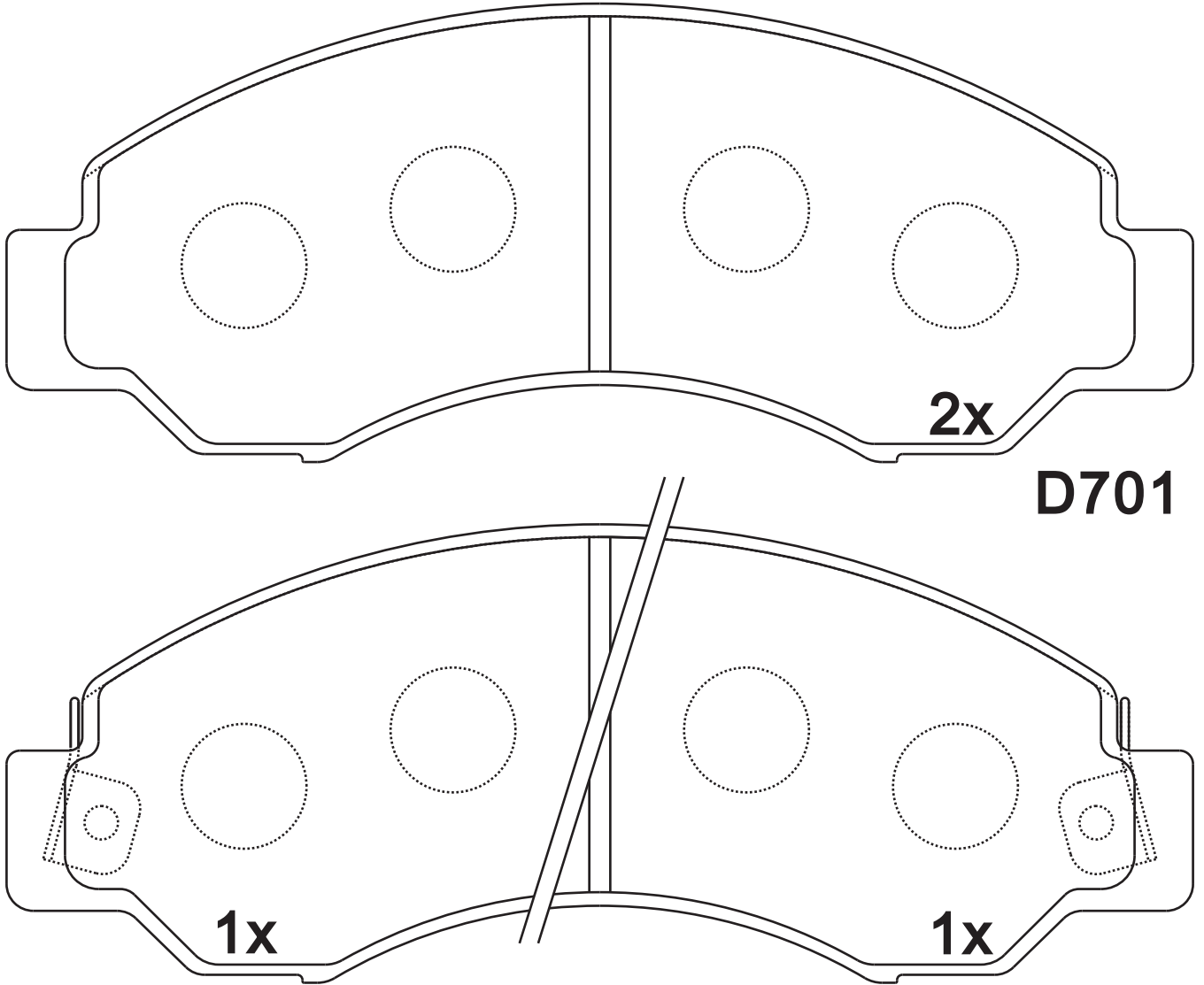
20



NOTE

4 identical, 1 with acoustic indicator(left), 1 with acoustic indicator(right).

无模具



Apply for:

Nissan Commercial 1200

Van

1994-2005

Nissan Commercial 1300

Van

2005-2007

Nissan Commercial 1400

Van

1994-1997

SR0210.01

**Dimension
(mm)**

**Thickness
(mm)**



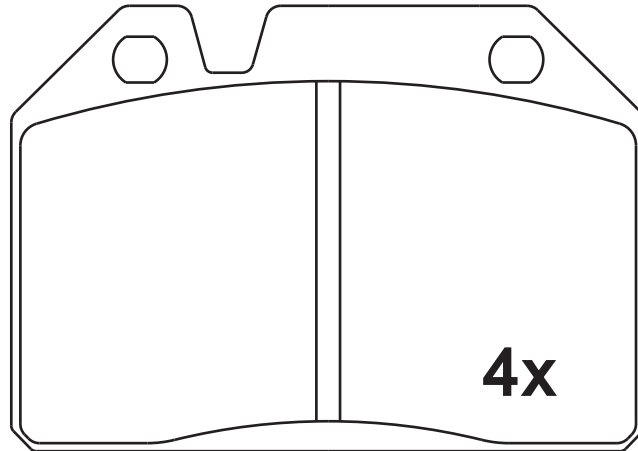
NOTE

4 identical;

83.8×58.9

15.4



无模具



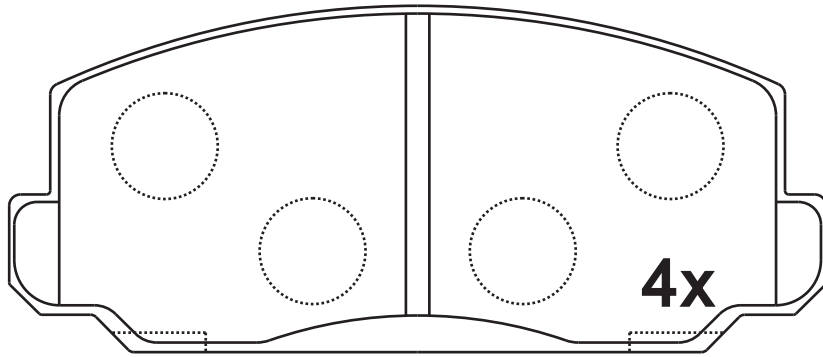
20151

Apply for:

Peugeot 204	Saloon	10.65-12.77
Peugeot 204	Estate	01.67-10.77
Peugeot 204	Convertible	01.67-10.70
Peugeot 304	Saloon	10.69-10.79
Peugeot 304	Estate	09.70-10.80
Peugeot 304	Convertible	03.70-07.76
Peugeot 404	Saloon	04.63-12.71

SR0211.01	Dimension (mm)	Thickness (mm)		NOTE 4 identical;
	108×45.8	14		

无模具



20535

Apply for:

Honda Accord	Saloon	05.76-09.83
Honda Accord	Hatchback	01.79-09.83
Honda Civic II	Estate	01.79-12.83
Honda Civic I	Estate	09.79-09.83

SR0212.01

**Dimension
(mm)**

154.1×57

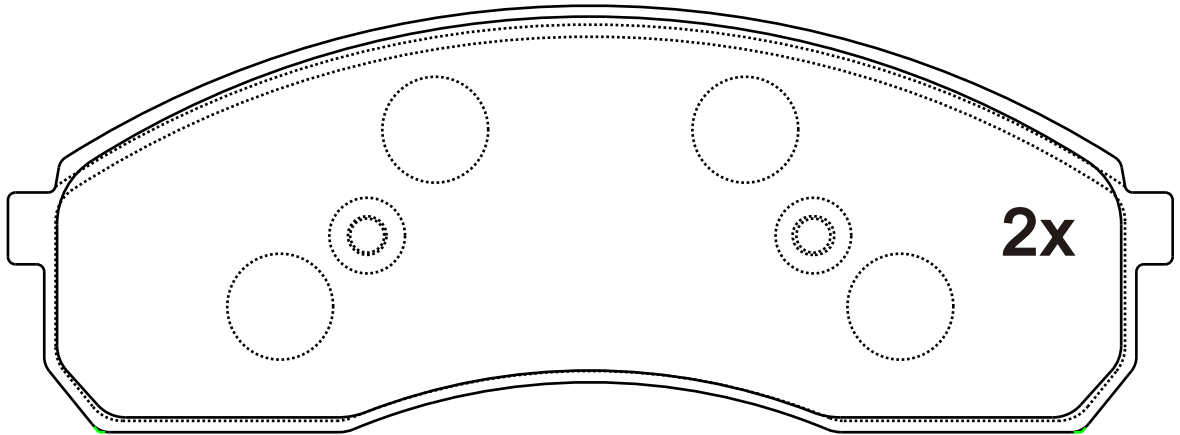
**Thickness
(mm)**

17.2

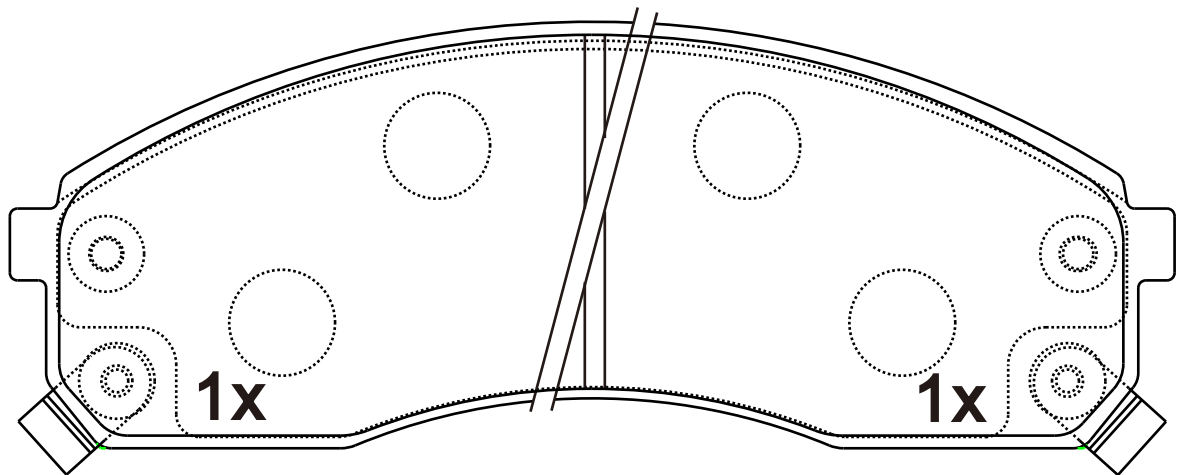


NOTE

4 identical, 1 with acoustic indicator (left), 1 with acoustic indicator (right).



23649



23650

23651

Apply for:

Kia Carnival II

Kia Pregio

Kia Besta Kasten

MPV

Bus

Box

10.01-

08.95-09.04

10.97-

SR0212.02

**Dimension
(mm)**

153.9×58.3

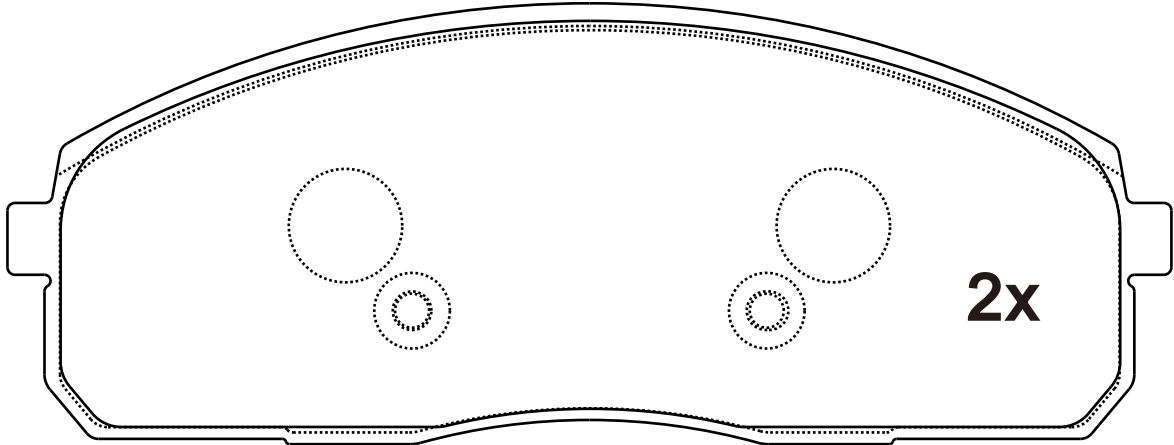
**Thickness
(mm)**

17



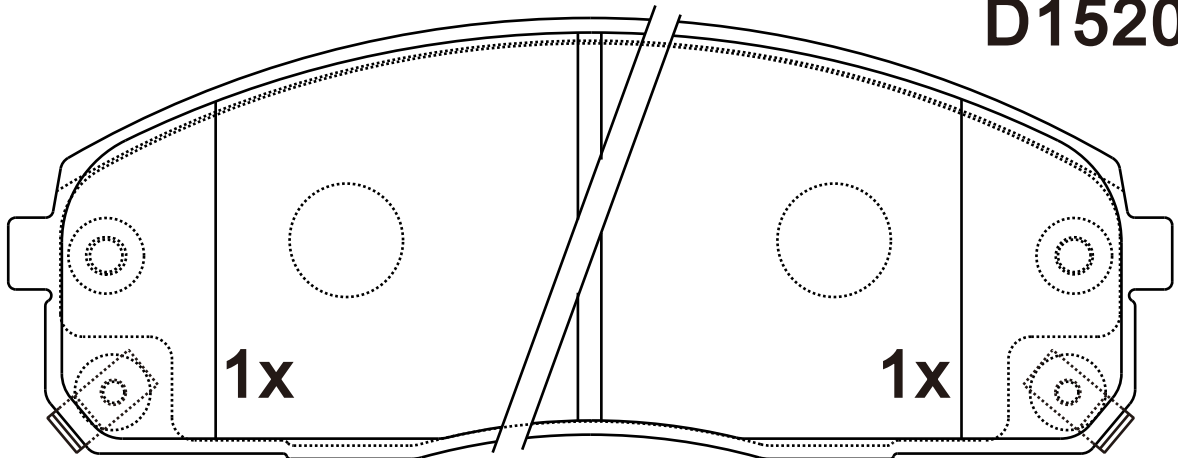
NOTE

4 identical, 1 with acoustic indicator (left), 1 with acoustic indicator (right).



58101-4FA00

D1520



Apply for:

Kia Carnival II
Kia Pregio
Kia Besta Kasten

MPV
Bus
Box

10.01-
08.95-09.04
10.97-

SR0213.01

**Dimension
(mm)**

174.5×69.2

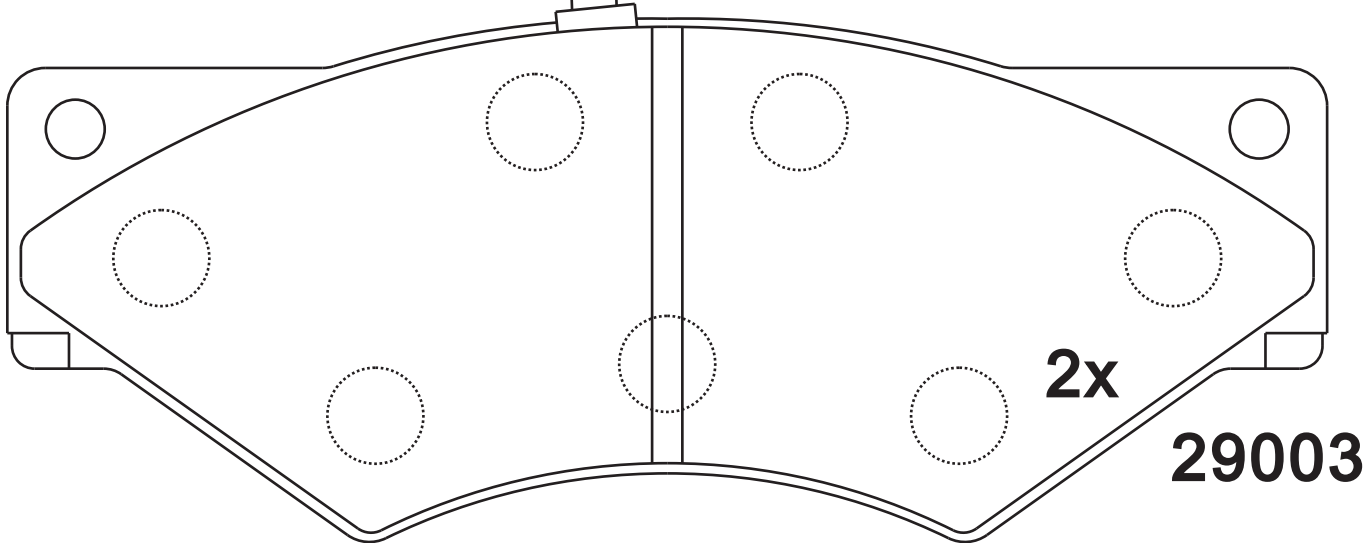
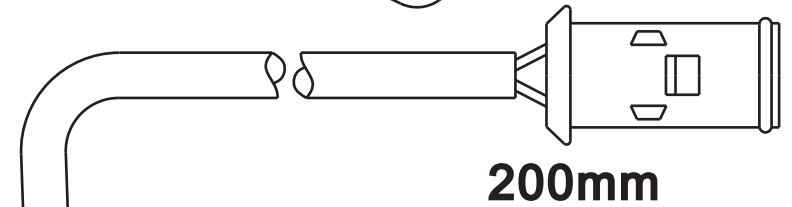
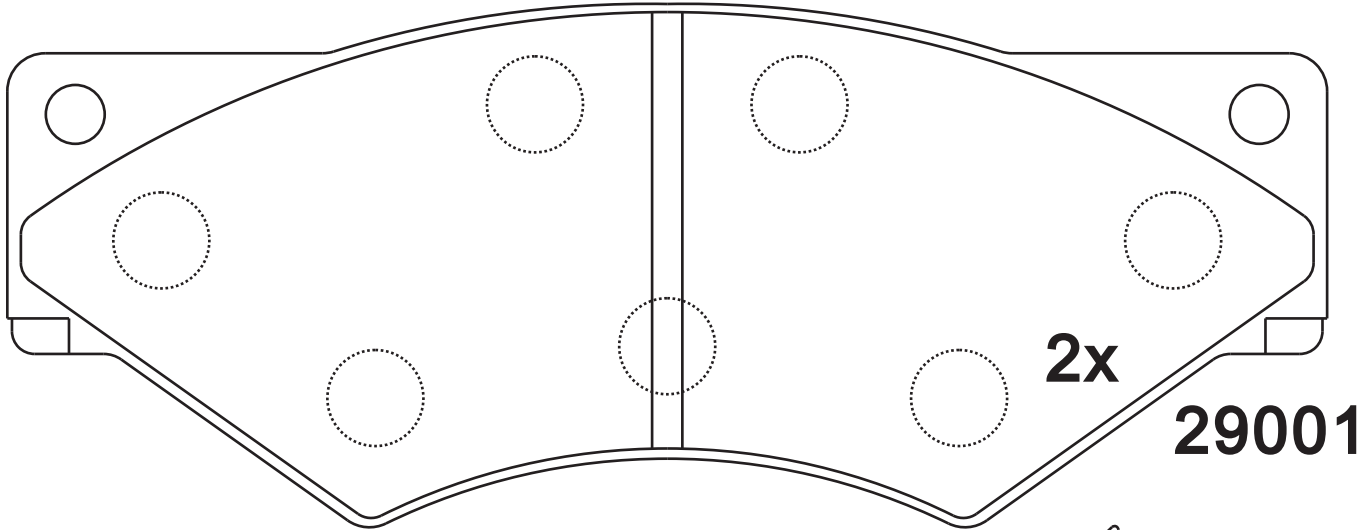
**Thickness
(mm)**

20



NOTE

4 identical, 2 with wear indicator: 200mm.



Apply for:

Iveco Daily
Iveco Daily II
Iveco Daily II

Box	01.89-05.99
Dumptruck	01.89-05.99
Platform	01.89-05.99

SR0214.01

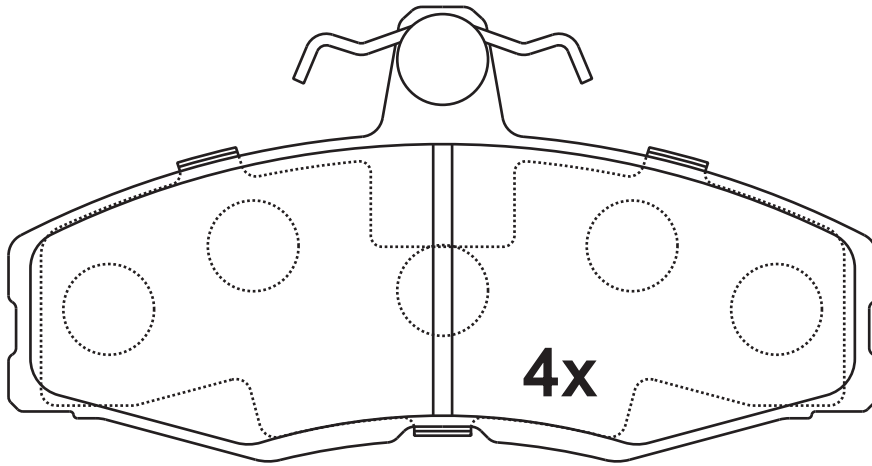
**Dimension
(mm)**

**Thickness
(mm)**



NOTE

4 identical;



20861

Apply for:

Skoda Felicia I
Ford Sierra
Ford Sierra

Hatchback
Estate
Hatchback

10.94-03.98
08.82-12.86
08.82-12.86

SR0214.02

**Dimension
(mm)**

114.9×60.4

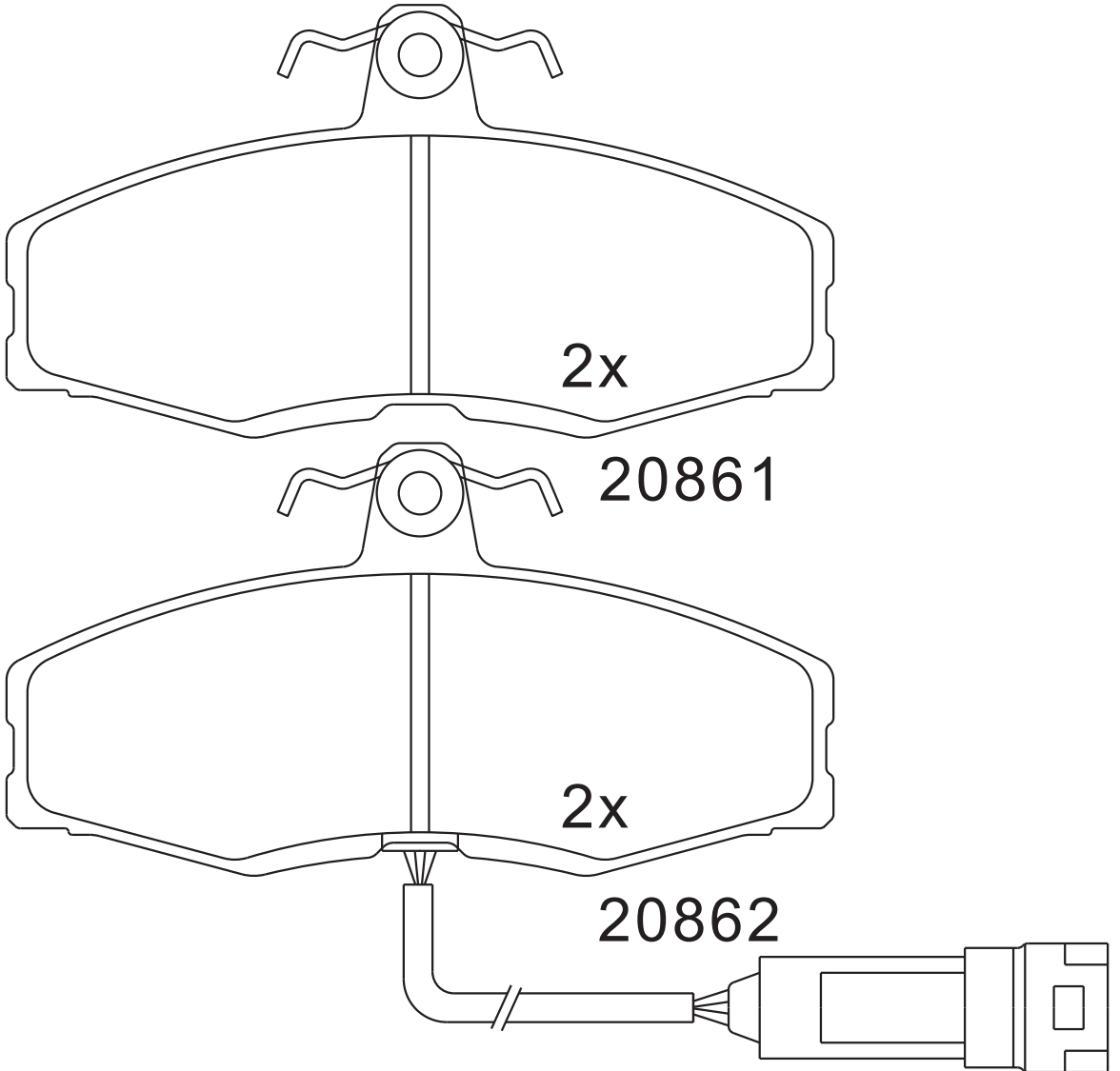
**Thickness
(mm)**

17.7



NOTE

4 identical, 2 with wear indicator.



Apply for:

Ford Sierra Hatchback
Ford Sierra Turnier

1982/08-1987/02
1982/08-1986/12

SR0214

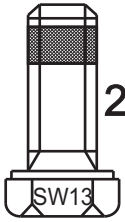
**Dimension
(mm)**

**Thickness
(mm)**



NOTE

**附件包
Accessory bag**



2x

M8×21
L0010

FJB0003.01



4x

M8×21
L0010

FJB0025.01

SR0215.01

**Dimension
(mm)**

99.6×84.5

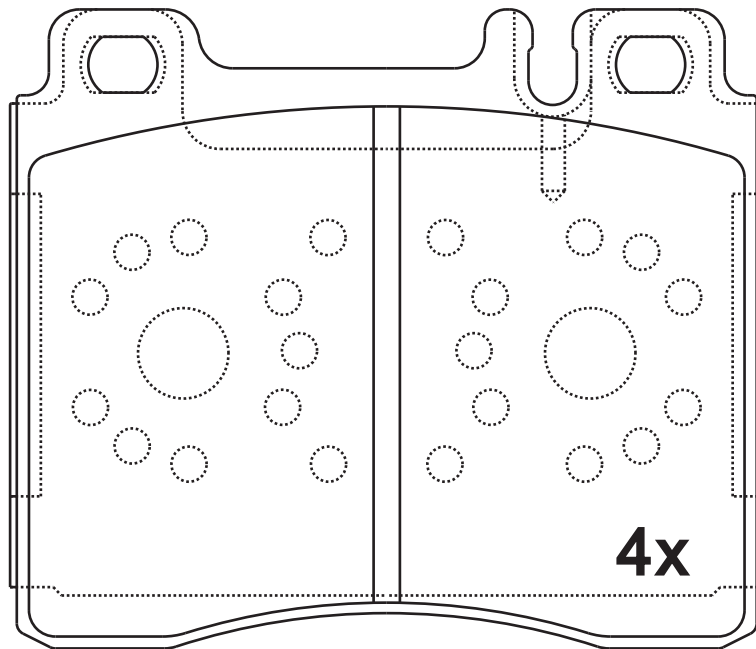
**Thickness
(mm)**

18.9



NOTE

4 identical;



21303

Apply for:

Mercedes S-class

Saloon

02.91-10.98

Mercedes S-class

Coupe

09.92-02.99

SR0216.01

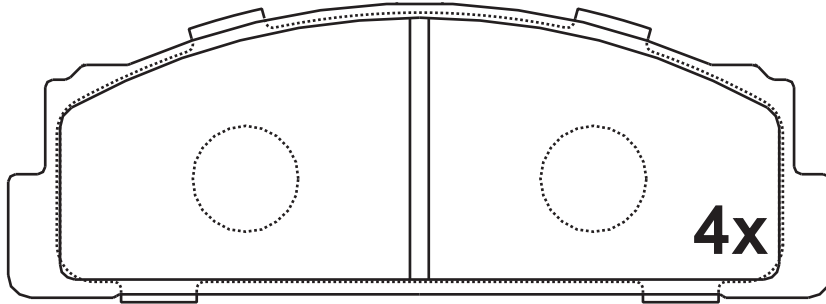
**Dimension
(mm)**

**Thickness
(mm)**



NOTE

4 identical;



20073

Apply for:

Fiat 850 Coupe & Spider

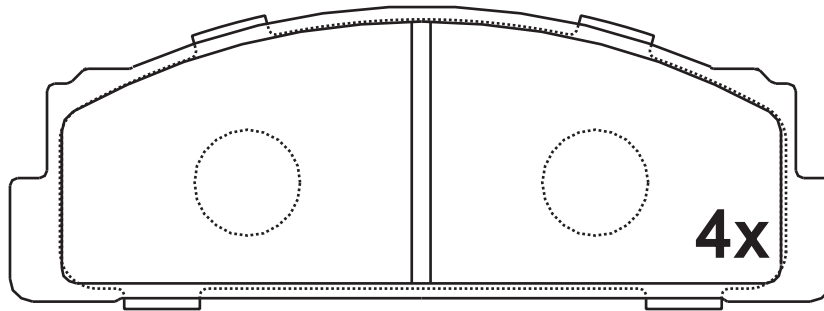
1968-1973

SR0216.02**Dimension
(mm)**

108.9×38.9

**Thickness
(mm)**

17.3

**NOTE****4 identical;****20073****Apply for:**

Fiat Fiorino	Box	05.88-12.93
Fiat Panda	Box	08.92-02.04
Fiat 124	Saloon	07.66-07.75
Fiat 124	Coupe	06.67-12.76
Fiat 125	Estate	04.67-03.75
Fiat 126	Convertible	01.66-12.77
Fiat 125	Saloon	07.67-03.74
Fiat 127	Hatchback	06.71-12.86
Fiat 127	Estate	01.77-12.86
Fiat 128	Saloon	03.69-12.84
Fiat 128	Coupe	03.72-02.81
Fiat 128	Estate	10.69-10.82
Fiat 131	Saloon	10.74-12.84
Fiat 131	Estate	03.75-12.84
Fiat 132	Saloon	04.72-12.82

SR0217.01

**Dimension
(mm)**

140×55.1

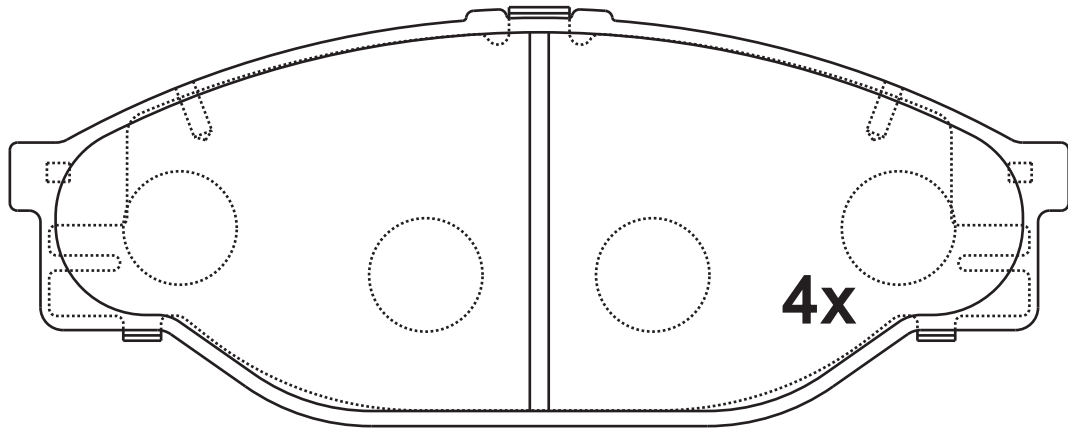
**Thickness
(mm)**

15.5



NOTE

4 identical;



21689

Apply for:

Toyota Hilux II

Pickup

08.88-07.05

SR0218.01

**Dimension
(mm)**

**Thickness
(mm)**

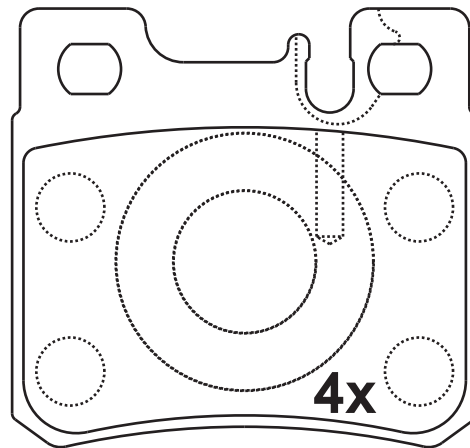


NOTE

4 identical;

61.5×58

15



21197

Apply for:

Mercedes CLK	Coupe	06.97-05.09
Mercedes SL	Convertible	08.93-10.01
Mercedes SLK	Convertible	09.96-03.00
Mercedes 190	Saloon	05.90-08.93
Mercedes C-class	Saloon	05.93-05.00
Mercedes C-class	Estate	06.96-03.01
Mercedes Coupe	Coupe	03.87-05.93
Mercedes E-class	Saloon	06.93-07.99
Mercedes E-class	Convertible	06.93-03.98
Mercedes E-class	Coupe	06.93-03.98
Mercedes E-class	Estate	06.93-06.96

SR0218.02

**Dimension
(mm)**

61.5×58

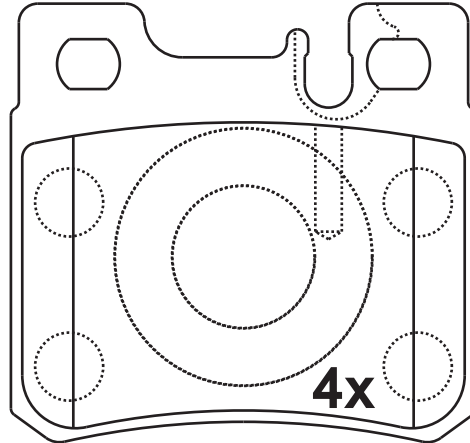
**Thickness
(mm)**

15

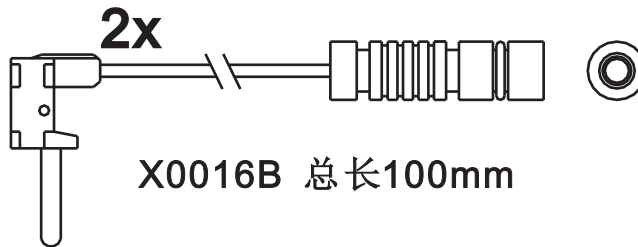


NOTE

4 identical, 2 with warn indicator.



21197



Apply for:

Mercedes CLK	Coupe	06.97-05.09
Mercedes SL	Convertible	08.93-10.01
Mercedes SLK	Convertible	09.96-03.00
Mercedes 190	Saloon	05.90-08.93
Mercedes C-class	Saloon	05.93-05.00
Mercedes C-class	Estate	06.96-03.01
Mercedes Coupe	Coupe	03.87-05.93
Mercedes E-class	Saloon	06.93-07.99
Mercedes E-class	Convertible	06.93-03.98
Mercedes E-class	Coupe	06.93-03.98
Mercedes E-class	Estate	06.93-06.96

SR0219.01

**Dimension
(mm)**

61.6×69.9

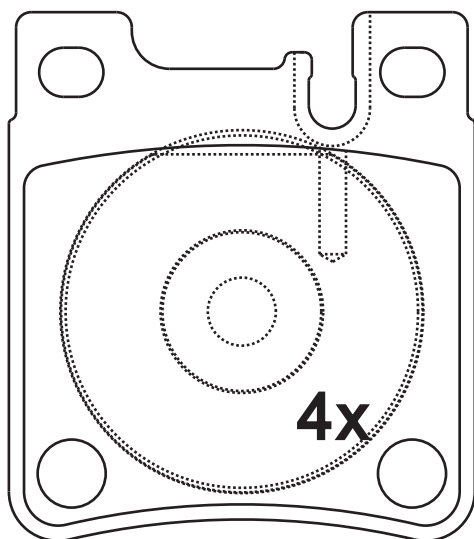
**Thickness
(mm)**

15.7

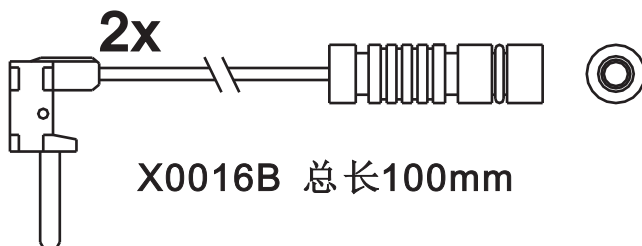


NOTE

4 identical;



21305



Apply for:

Mercedes CLK	Coupe	06.97-05.09
Mercedes CLK	Convertible	02.03-03.10
Mercedes S-Class	Saloon	10.98-08.05
Mercedes SL	Convertible	08.92-10.01
Mercedes C-Class	Saloon	01.03-
Mercedes C-Class	Estate	08.97-
Mercedes E-Class	Saloon	06.93-03.02
Mercedes E-Class	Estate	06.96-03.03

SR0220.01

**Dimension
(mm)**

187.9×59.1/77.3

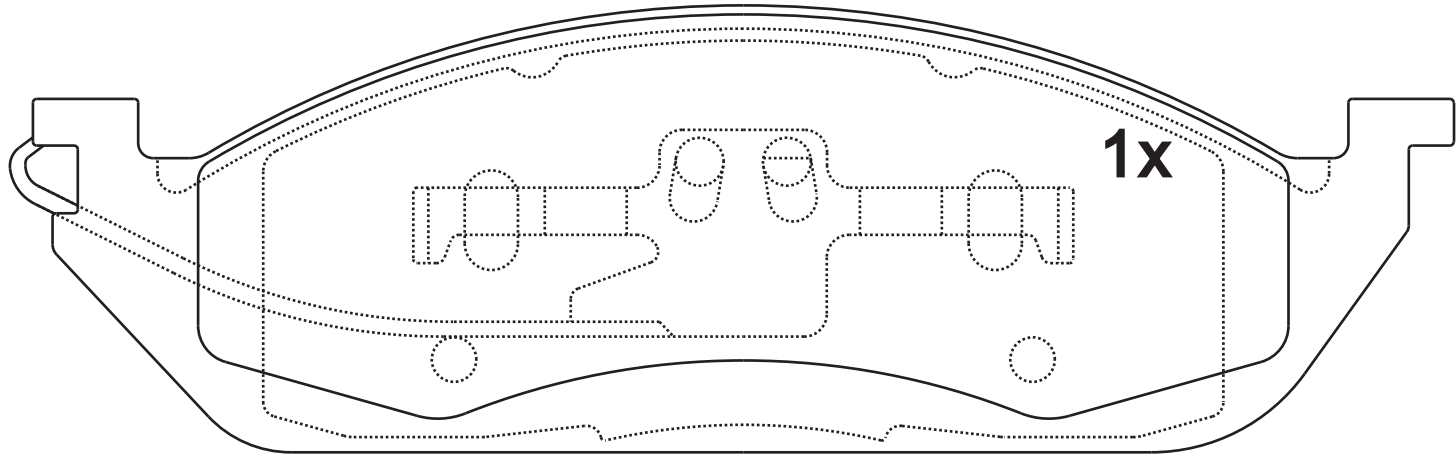
**Thickness
(mm)**

16.4

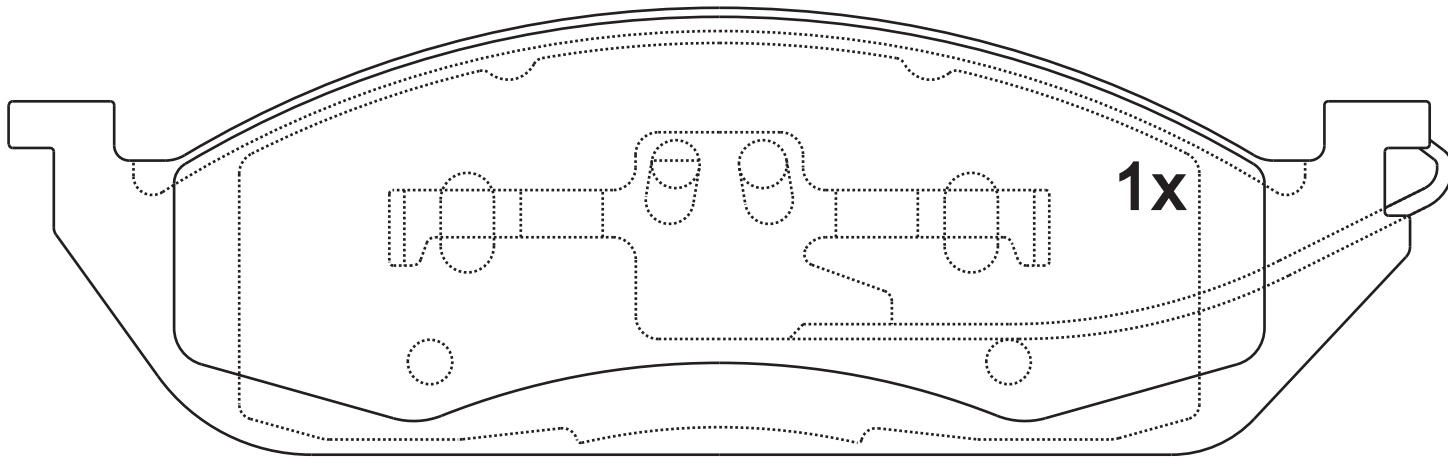


NOTE

**2 identical with spring;
2 identical with spring,
1 with warn indicator:
185mm.**





23193



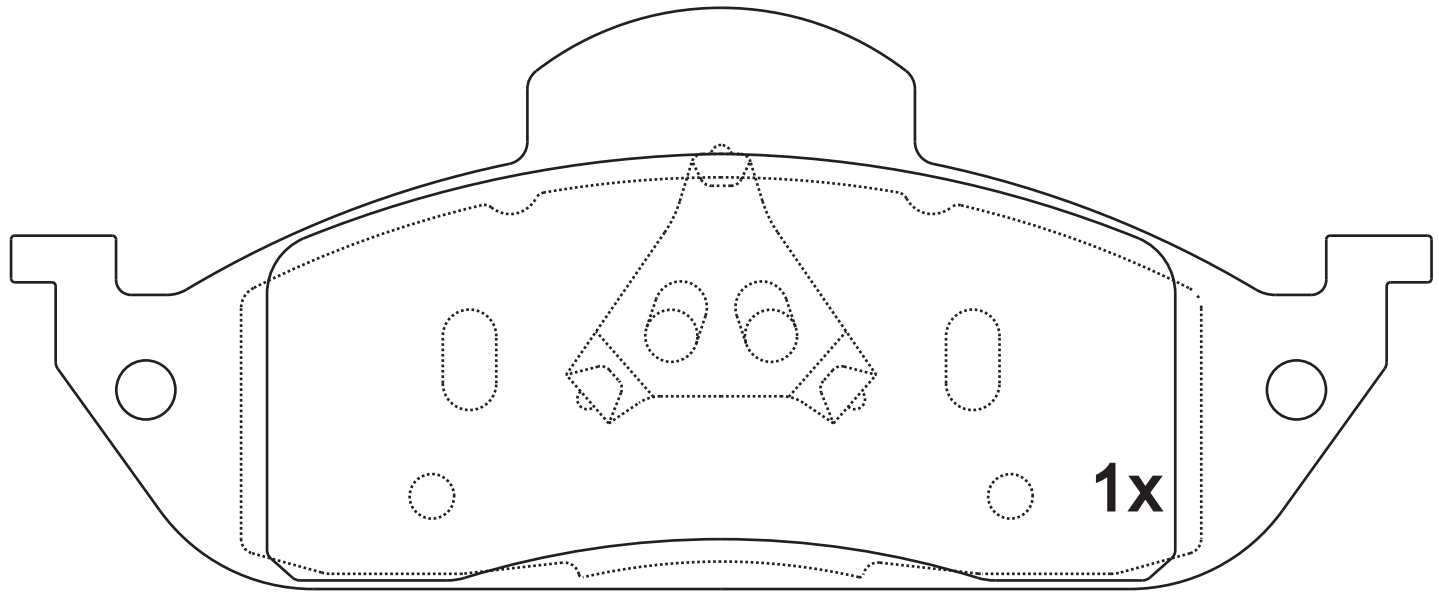
23194

.....Next Page

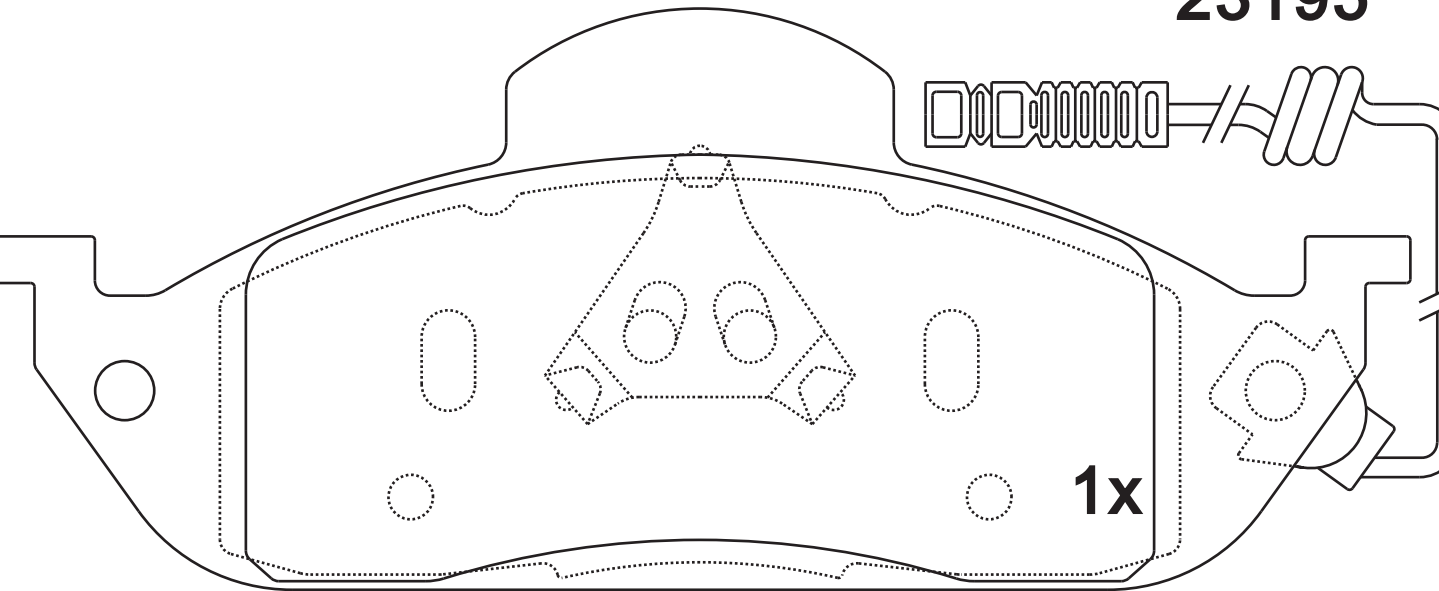
SR0220.01

Dimension (mm)	Thickness (mm)	
187.9×59.1/77.3	16.4/17.4	

NOTE
2 identical with spring;
2 identical with spring,
1 with warn indicator:
185mm.

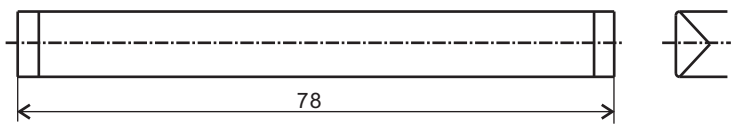


23195



23196

4x





Apply for:

Mercedes M-class

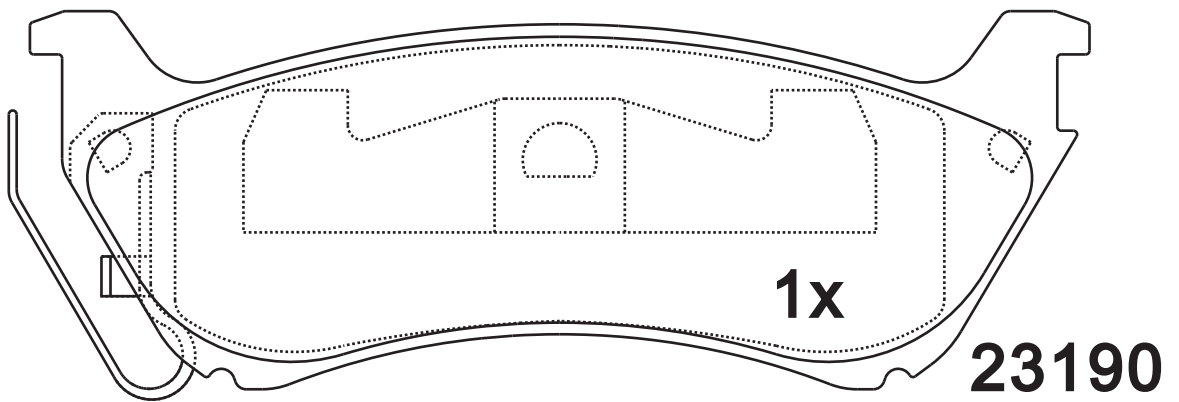
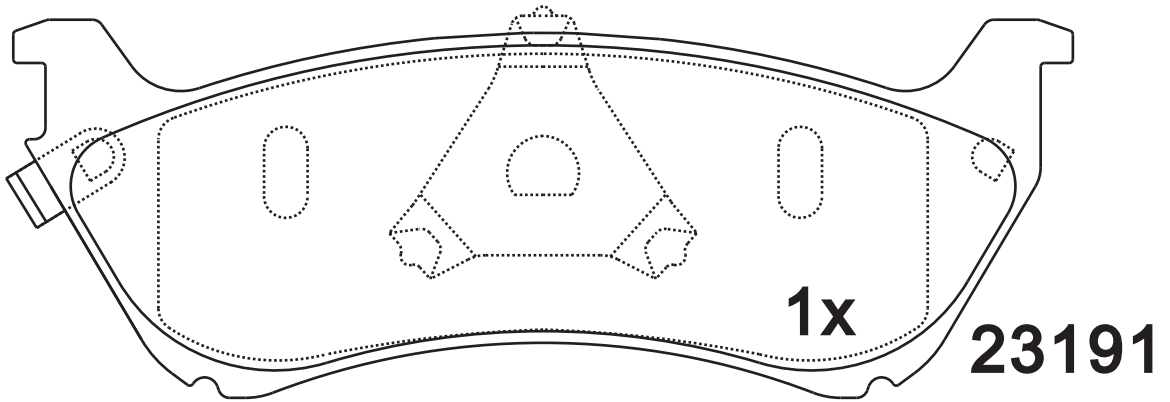
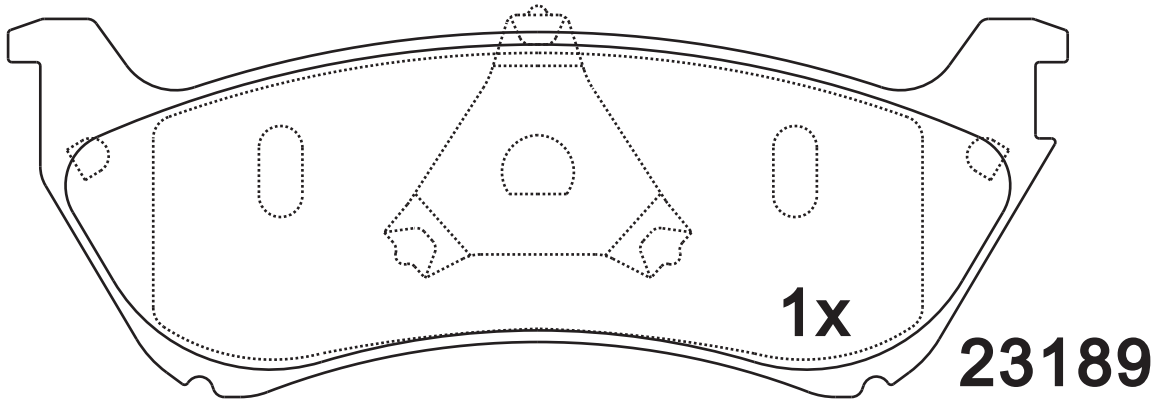
Closed off-Road

02.98-06.05

SR0221.01

Dimension (mm)	Thickness (mm)	
140.1×50	16.7	
		

NOTE
2 identical with spring, 1 with acoustic indicator(left); 2 identical, 1 with acoustic indicator(left), 1 with acoustic indicator(right).



... ..Next Page

SR0221.01

**Dimension
(mm)**

140.1×50

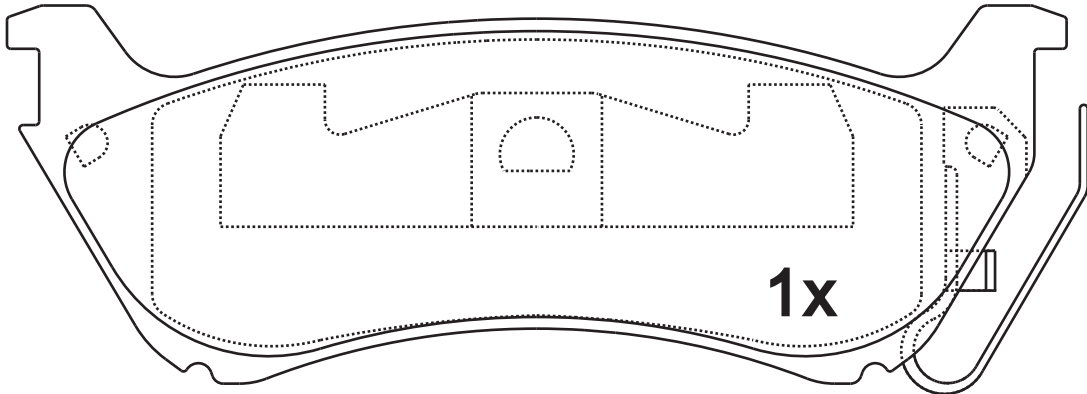
**Thickness
(mm)**

16.7



NOTE

2 identical with spring, 1 with acoustic indicator(left); 2 identical, 1 with acoustic indicator(left), 1 with acoustic indicator(right).



23192

Apply for:

Mercedes M-class

Closed off-Road

02.98-06.05

SR0221.02

**Dimension
(mm)**

140.1×50/61

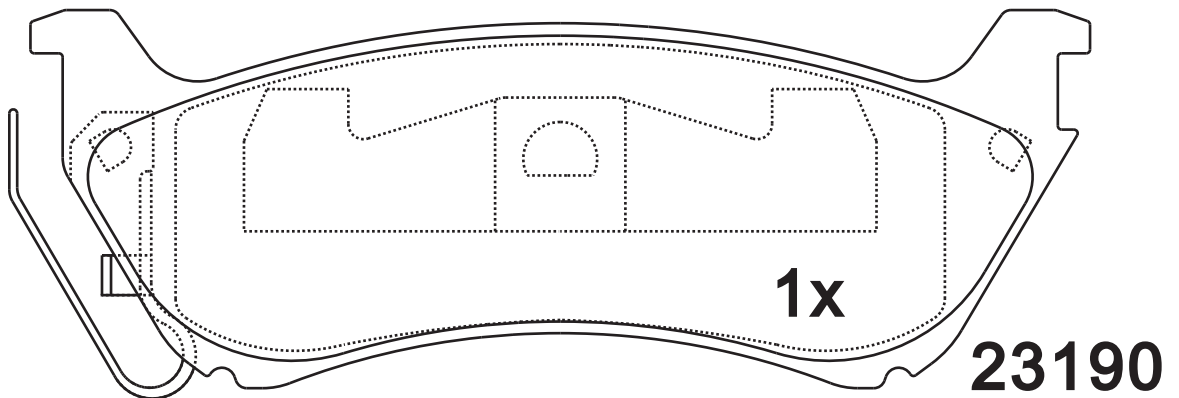
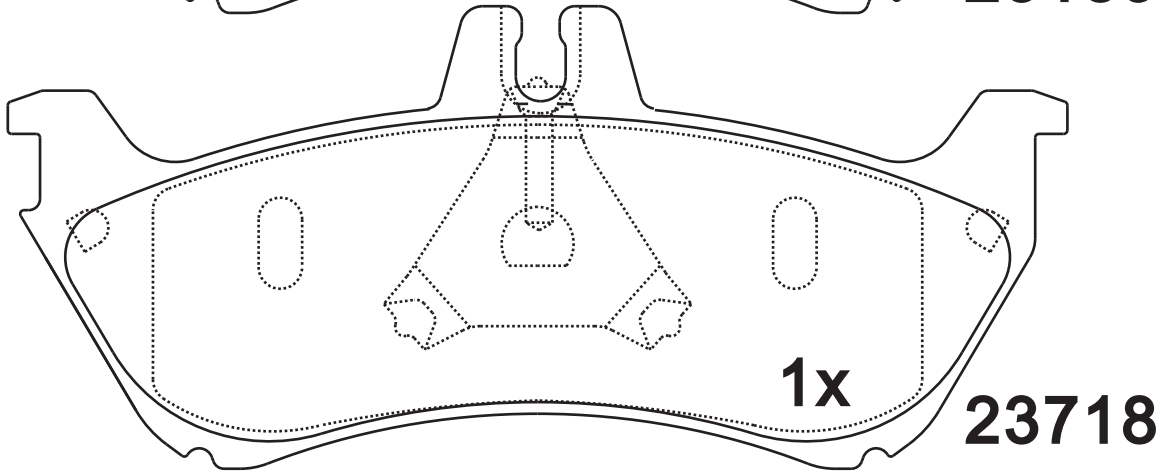
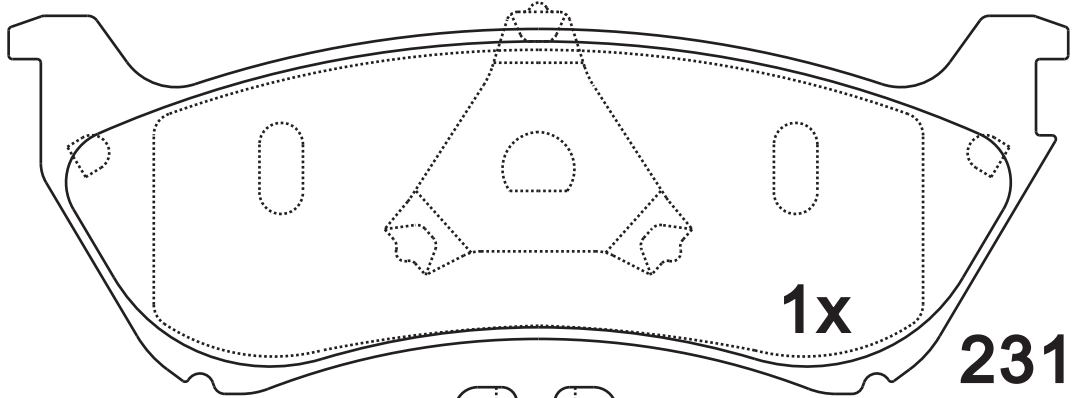
**Thickness
(mm)**

16.7



NOTE

2 identical with spring, 1 with acoustic indicator(left); 2 identical, 1 with acoustic indicator(left), 1 with acoustic indicator(right).



... ..Next Page

SR0221.02

**Dimension
(mm)**

140.1×50/61

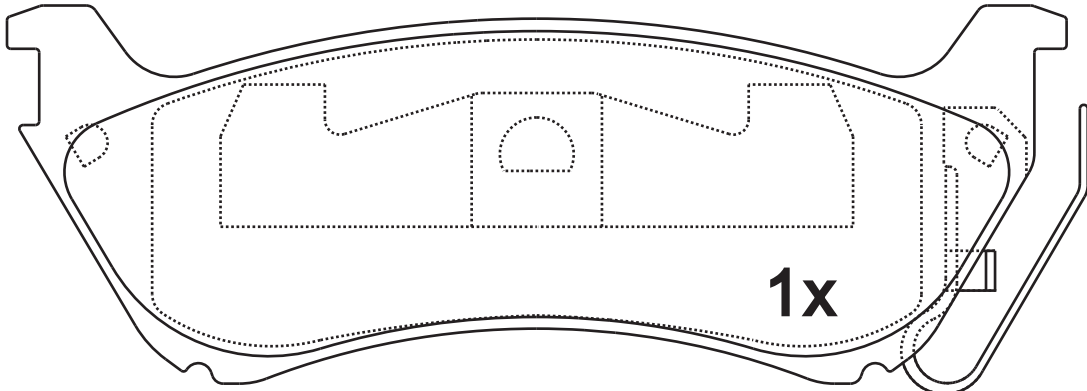
**Thickness
(mm)**

16.7

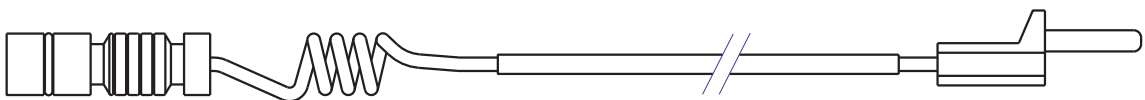


NOTE

2 identical with spring, 1 with acoustic indicator(left); 2 identical, 1 with acoustic indicator(left), 1 with acoustic indicator(right).



23192



Apply for:

Mercedes-Benz ML320
Mercedes-Benz ML350
Mercedes-Benz ML430

1998-2003
2003-2005
1999-

SR0221

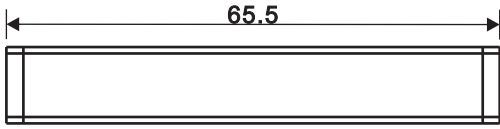
**Dimension
(mm)**

**Thickness
(mm)**



NOTE

附件包
Accessory bag



4x

K0111
FJB0221.01

SR0222.01

**Dimension
(mm)**

110×74.5

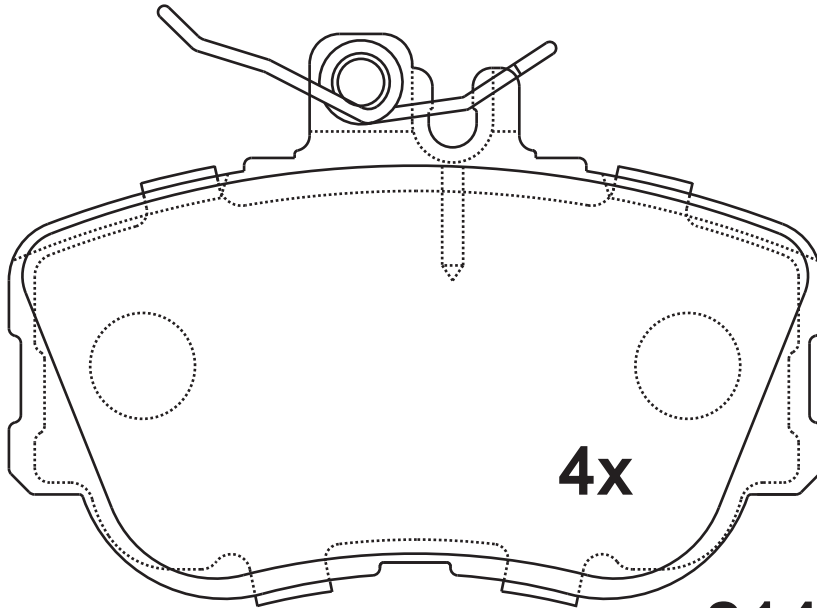
**Thickness
(mm)**

20.3



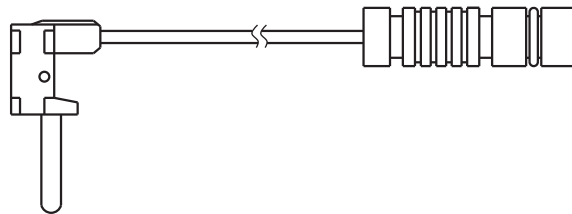
NOTE

4 identical, 2 with warn indicator.



21439

2x



100mm

Apply for:

Mercedes C-class
Mercedes C-class

Saloon
Estate

03.93-05.00
06.96-03.01

SR0222.02

**Dimension
(mm)**

110×74.5

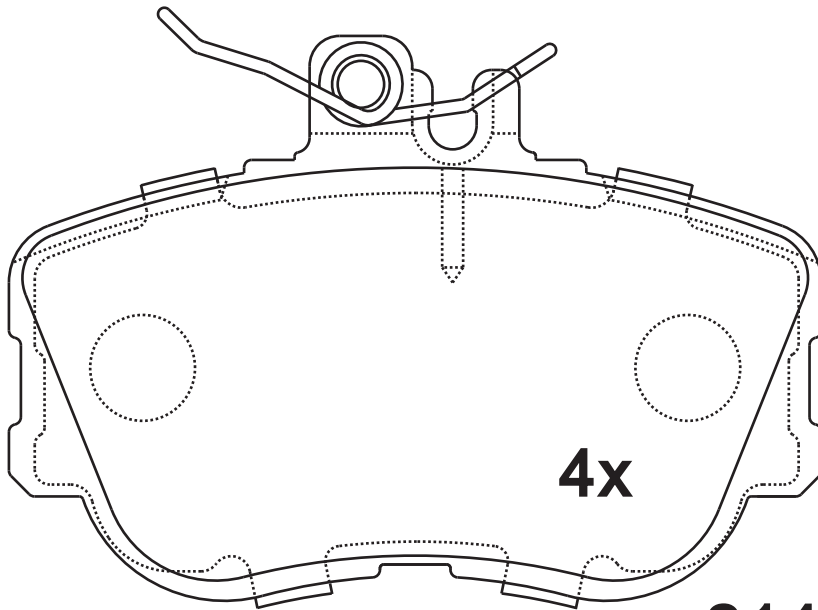
**Thickness
(mm)**

20.3



NOTE

4 identical, 2 with warn indicator.



21439

Apply for:

Mercedes C-class
Mercedes C-class

Saloon
Estate

03.93-05.00
06.96-03.01

SR0222

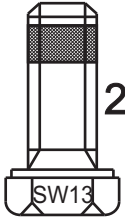
**Dimension
(mm)**

**Thickness
(mm)**



NOTE

附件包
Accessory bag



2x

M8×21
L0010
FJB0003.01

SR0223.01

**Dimension
(mm)**

**Thickness
(mm)**

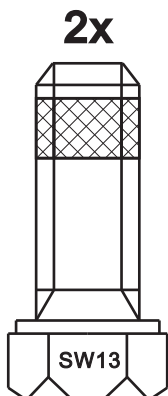


NOTE

4 identical;

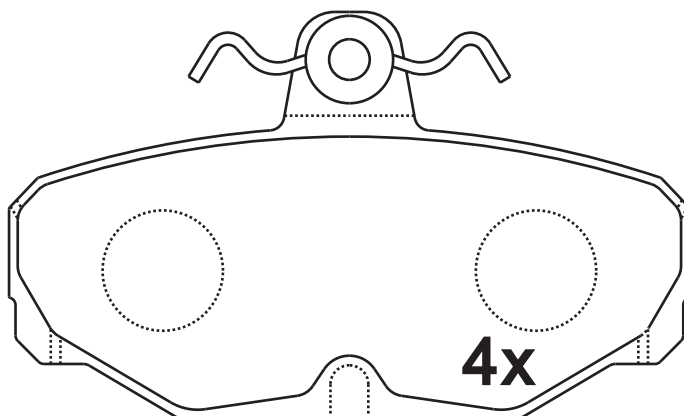
90×53.8

13.8



2x

M8×21



4x

20981

Apply for:

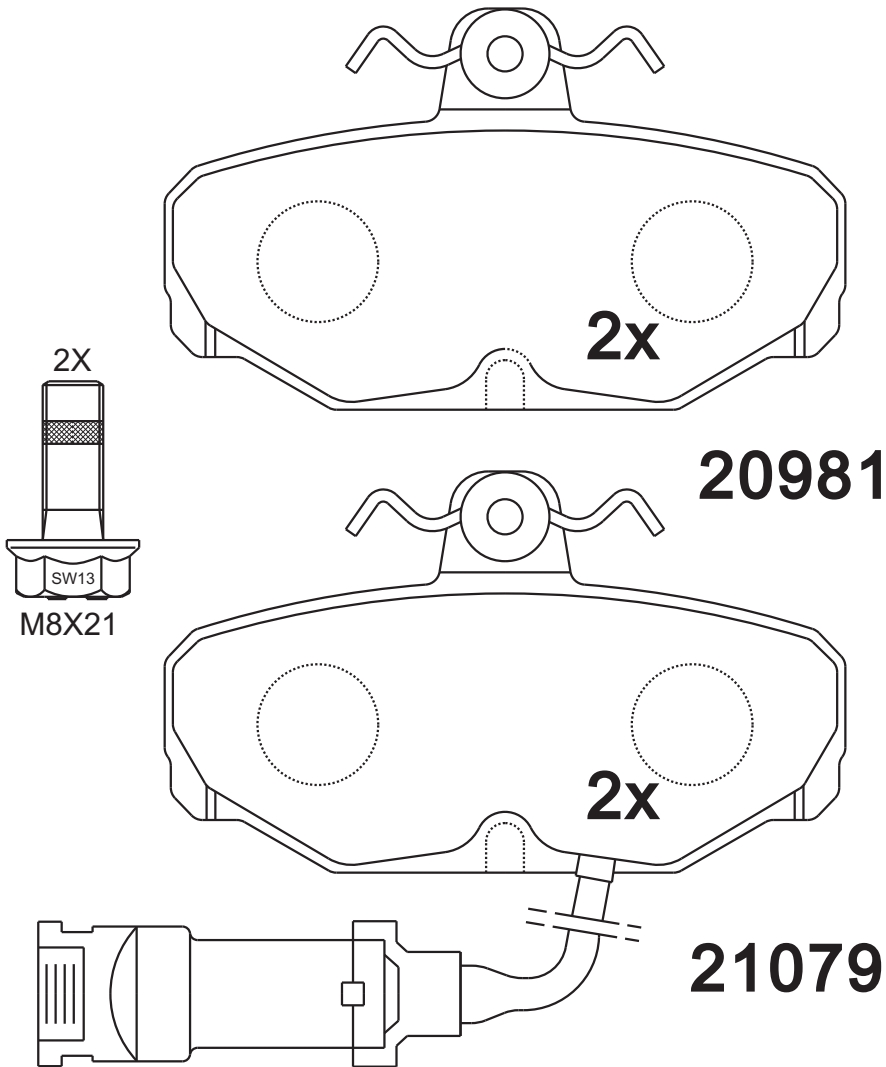
Ford Escort VI	Saloon	09.92-01.95
Ford Escort VII	Saloon	01.95-08.02
Ford Scorpio I	Saloon	04.85-09.94
Ford Scorpio I	Estate	05.88-09.94
Ford Scorpio II	Saloon	10.94-08.98
Ford Scorpio II	Estate	10.94-08.98
Ford Sierra	Estate	08.82-02.93
Ford Sierra	Hatchback	08.82-03.93

SR0223.02**Dimension
(mm)**

90×53.8

**Thickness
(mm)**

13.8

**NOTE****4 identical, 2 with warn
indicator.****Apply for:**

Ford Escort VI	Saloon	09.92-01.95
Ford Escort VII	Saloon	01.95-08.02
Ford Scorpio I	Saloon	04.85-09.94
Ford Scorpio I	Estate	05.88-09.94
Ford Scorpio II	Saloon	10.94-08.98
Ford Scorpio II	Estate	10.94-08.98
Ford Sierra	Estate	08.82-02.93
Ford Sierra	Hatchback	08.82-03.93

SR0224.01

**Dimension
(mm)**

127.6×50.4

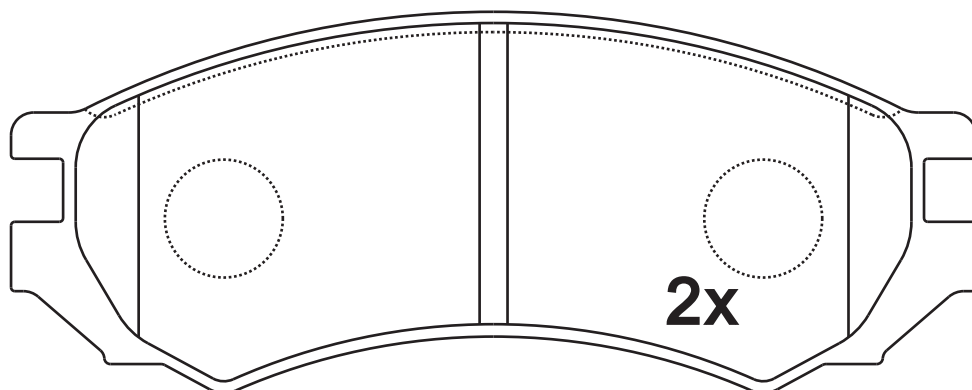
**Thickness
(mm)**

16

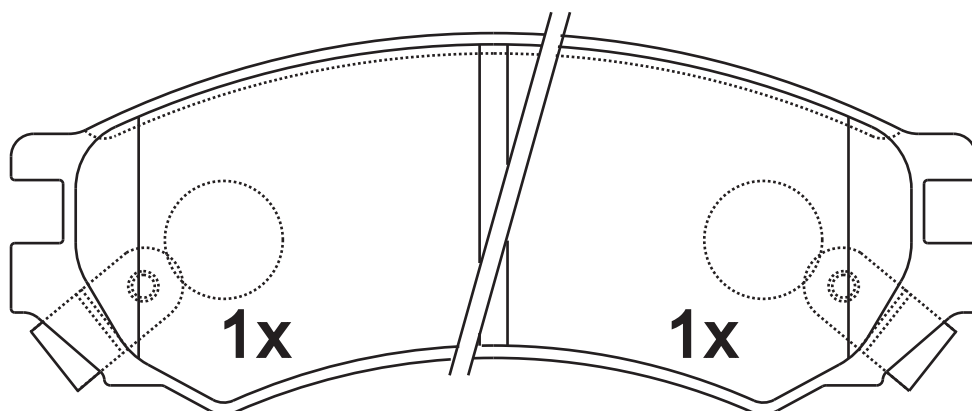


NOTE

4 identical, 1 with acoustic indicator(right), 1 with acoustic indicator (left).



21280



Apply for:

Nissan Primera
Nissan Primera

Saloon
Hatchback

06.90-06.96
06.90-06.96

SR0224.02

**Dimension
(mm)**

127.6×50.4

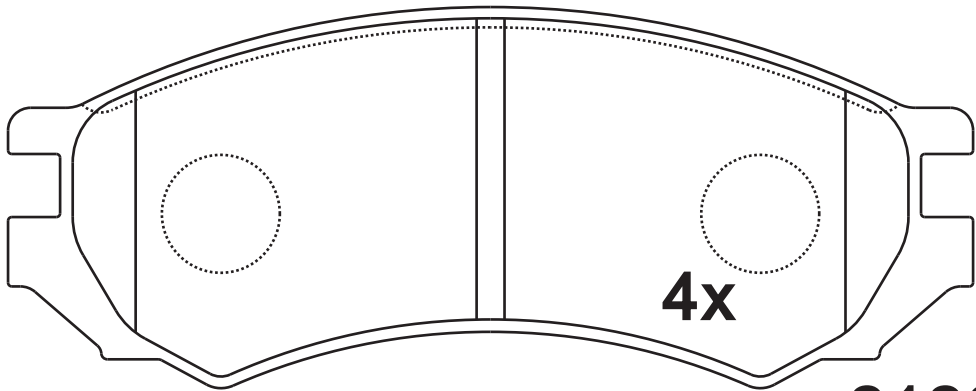
**Thickness
(mm)**

16



NOTE

4 identical;



21280

Apply for:

Nissan Primera
Nissan Primera

Saloon
Hatchback

06.90-06.96
06.90-06.96

SR0225.01

**Dimension
(mm)**

156.4×63.5
155.1×69.5

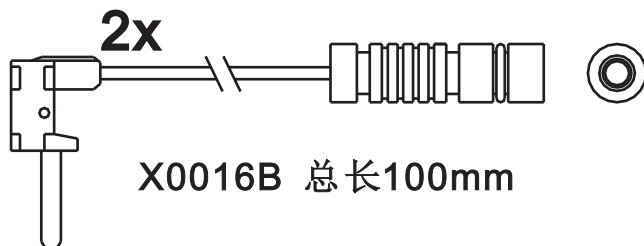
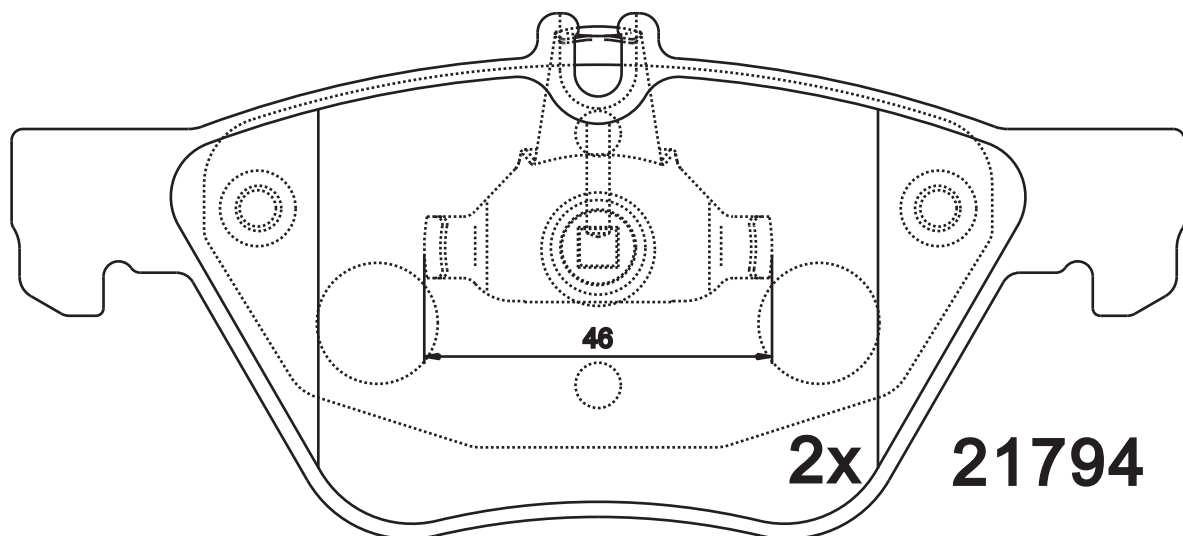
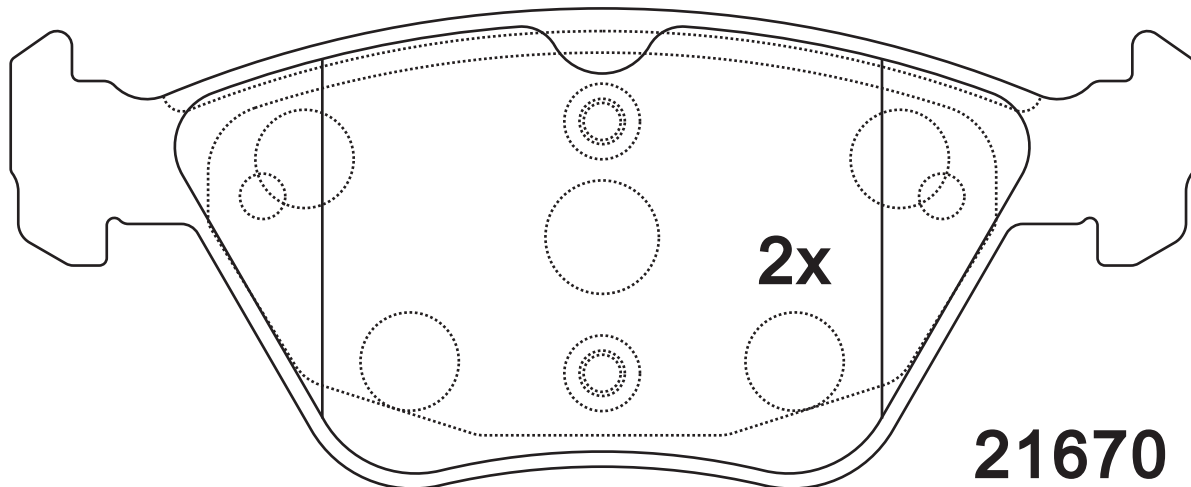
**Thickness
(mm)**

19.3



NOTE

**2 identical ;2 identical
with spring .**



Apply for:

Mercedes E-class
Mercedes E-class
Mercedes S-class
Mercedes SLK
Mercedes CLK

Saloon

Estate

Saloon

Convertible

Convertible

03.03-12.08

07.03-07.09

06.03-08.05

03.00-04.04

03.98-03.02

SR0226.01

**Dimension
(mm)**

151.4×60.4
149.9×66.5

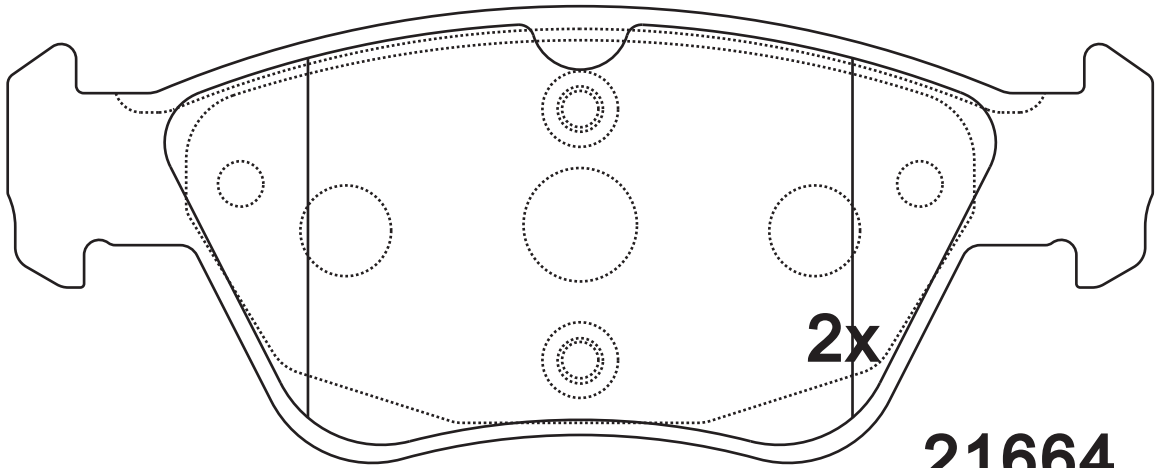
**Thickness
(mm)**

19.8

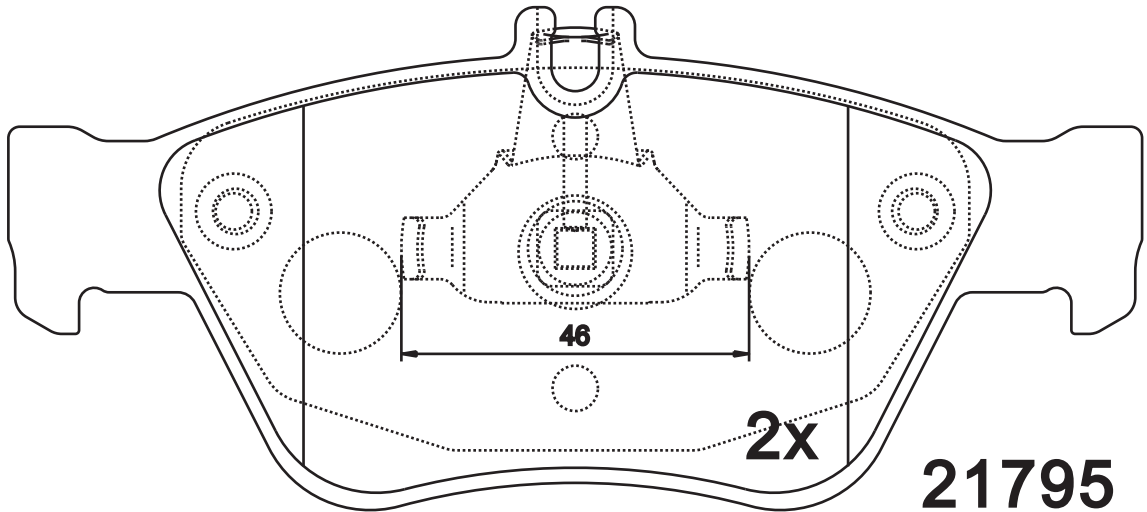


NOTE

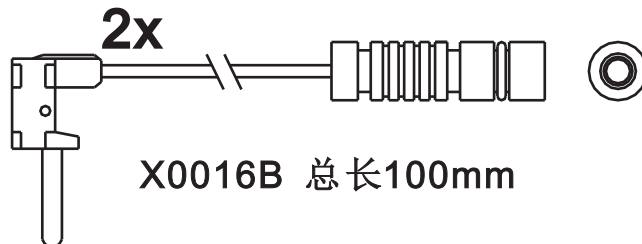
**2 identical ;2 identical
with spring .**



21664



21795



X0016B 总长100mm

Apply for:

Mercedes CLK	Coupe	06.97-06.02
Mercedes SLK	Convertible	09.96-04.04
Mercedes C-Class	Saloon	05.93-05.00
Mercedes C-Class	Estate	06.96-03.01
Mercedes E-Class	Saloon	06.95-03.02
Mercedes E-Class	Estate	06.96-03.03

SR0227.01

**Dimension
(mm)**

149.1×58

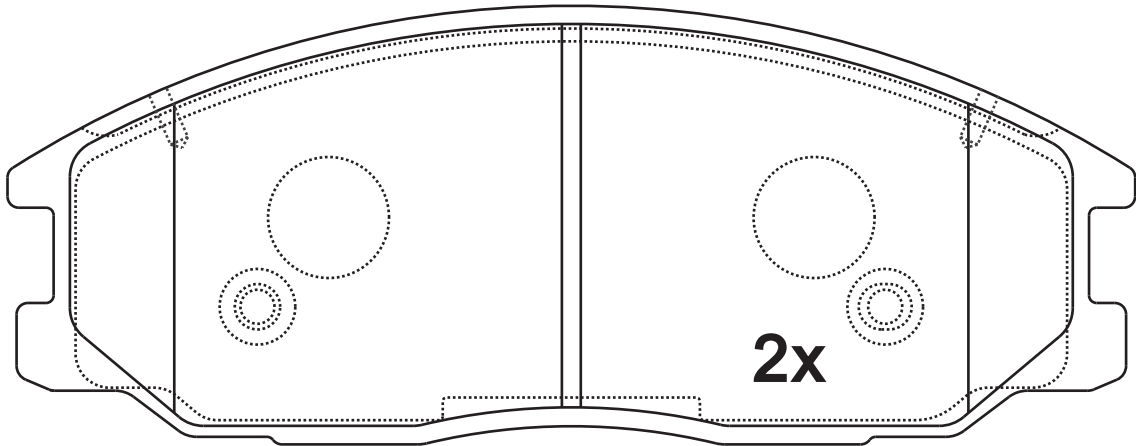
**Thickness
(mm)**

16.5

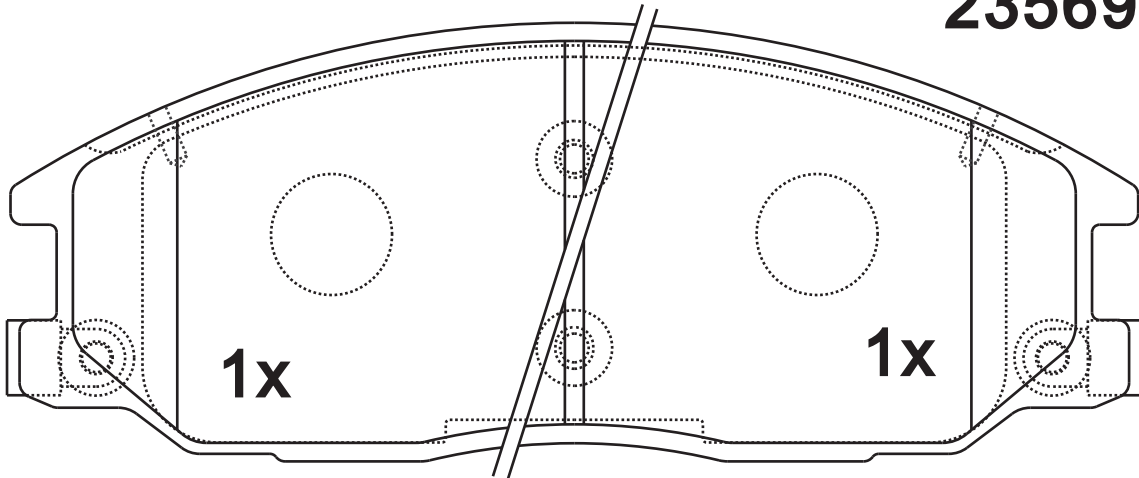


NOTE

4 identical, 1 with acoustic indicator (left), 1 with acoustic indicator (right).



23569



23570

23571

Apply for:

Hyundai H-1	Box	07.01-04.04
Hyundai Santa Fe I	Closed off-Road	02.01-03.06
Hyundai Santa Fe II	Closed off-Road	10.05-03.06
Hyundai Trajet	MPV	09.00-07.08

SR0227

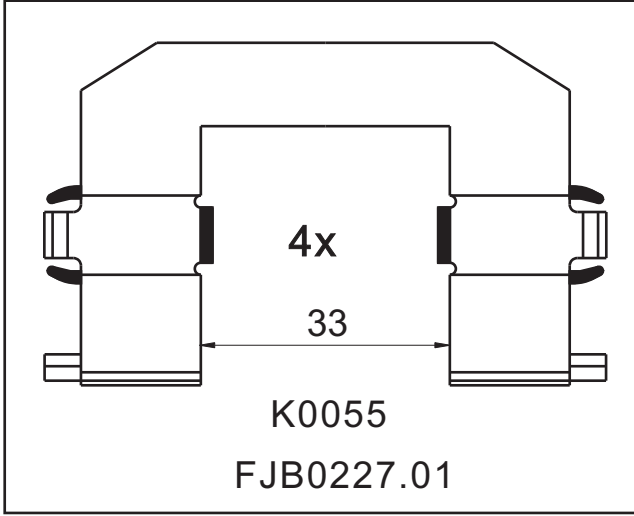
**Dimension
(mm)**

**Thickness
(mm)**



NOTE

**附件包
Accessory bag**



SR0228.01

**Dimension
(mm)**

128.1×49

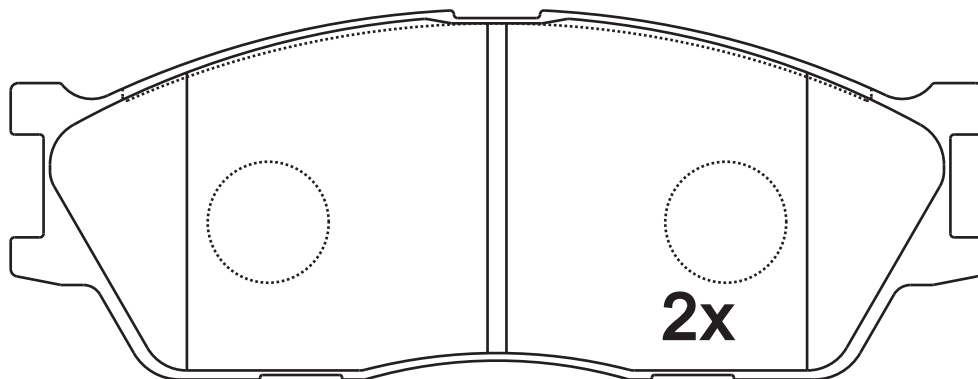
**Thickness
(mm)**

16

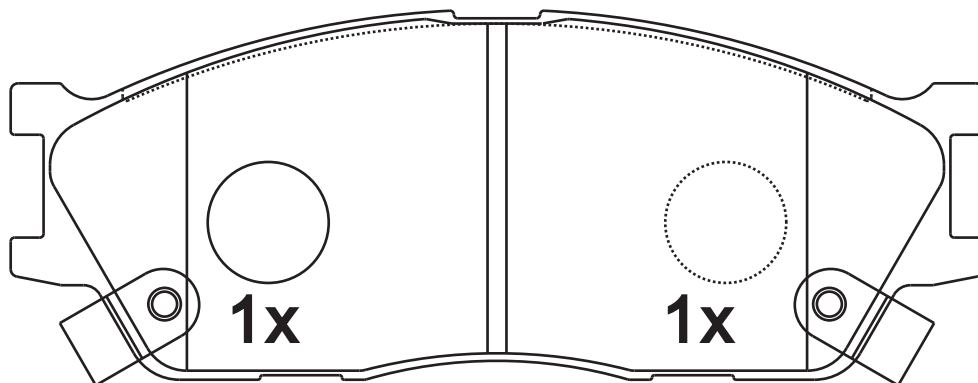


NOTE

4 identical, 1 with
acoustic indicator (left),
1 with acoustic indicator
(right).



D1515



Apply for:

Kia Rio (Latin America)

2002-2005

SR0229.01

**Dimension
(mm)**

127.8×52.3

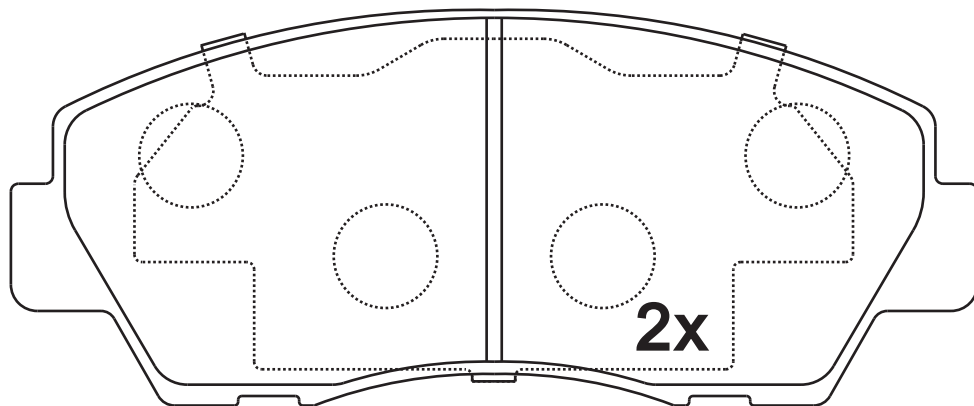
**Thickness
(mm)**

15.5

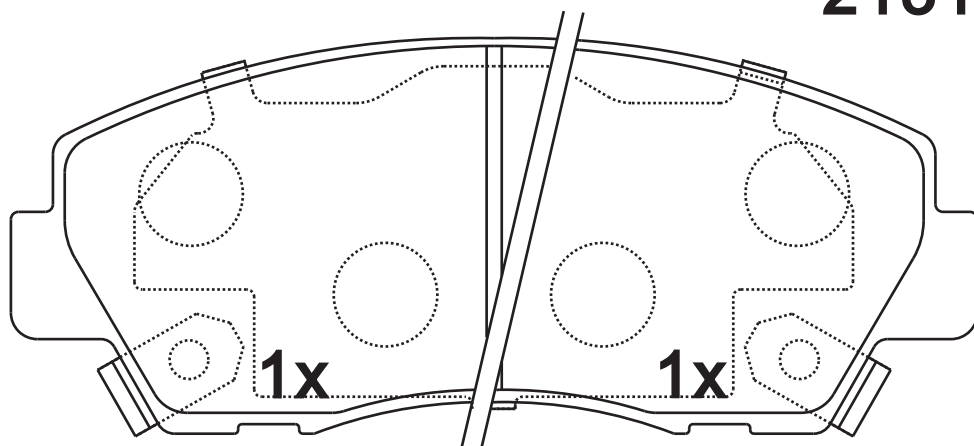


NOTE

4 identical, 1 with acoustic indicator (left), 1 with acoustic indicator (right).



21315



21317

21316

Apply for:

Mazda B-serie
Mazda B-serie
Mazda E-serie

Saloon
Platform
Bus

01.85-06.99
05.85-02.99
11.84-09.89

SR0230.01**Dimension
(mm)**

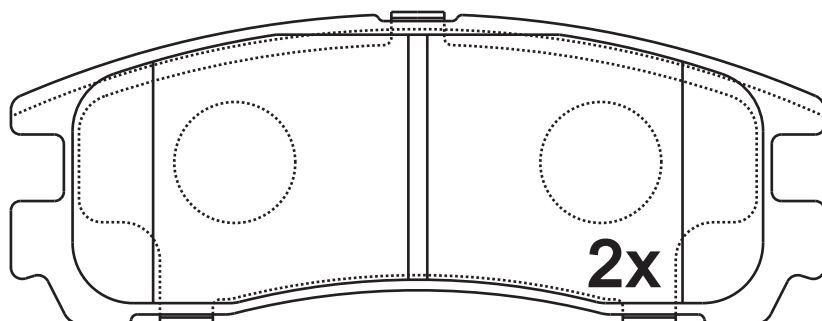
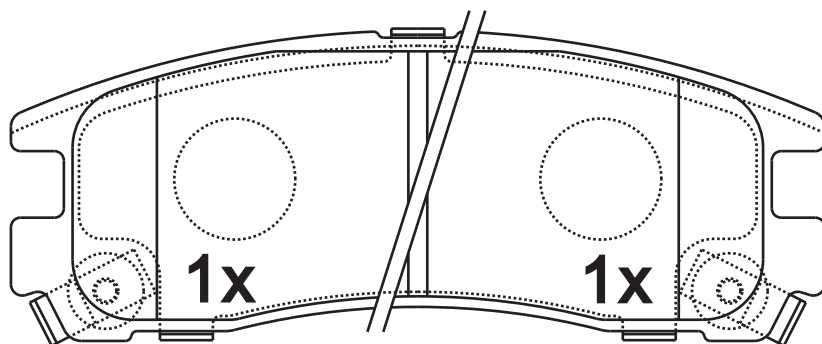
107.6×40.9

**Thickness
(mm)**

15.5

**NOTE**

4 identical, 1 with
acoustic indicator (left),
1 with acoustic indicator
(right).

**21706****21707****21708****Apply for:**

Chrysler Sebring	Saloon	04.01-06.07
Mitsubishi Eclipse II	Coupe	12.95-04.99
Mitsubishi Pajero	Closed off-Road	03.01-02.05
Mitsubishi Space Wagon	MPV	10.91-12.98
Mitsubishi Glant V	Hatchback	11.92-08.96
Mitsubishi Glant V	Saloon	11.92-08.96
Mitsubishi Glant VI	Saloon	09.00-10.04
Mitsubishi Glant VI	Estate	09.96-10.03
Mitsubishi Santamo	MPV	05.99-
Mitsubishi Sappora III	Coupe	06.87-08.90
Mitsubishi Sigma	Saloon	12.90-07.96
Mitsubishi L400	Bus	05.95-05.00

SR0231.01

**Dimension
(mm)**

167.6×54.5

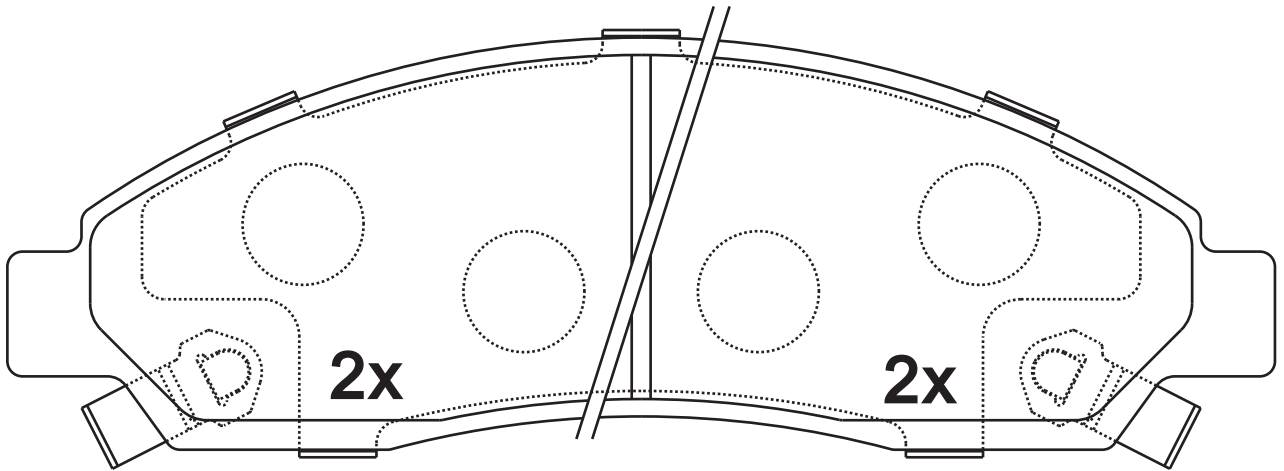
**Thickness
(mm)**

17



NOTE

4 identical, 2 with acoustic indicator (left), 2 with acoustic indicator (right).



24370

24594

Apply for:

Isuzu Rodeo
Isuzu D-max

Saloon
Pickup

05.02-
05.02-

SR0232.01

**Dimension
(mm)**

78.2×51.8
78.2×55.6

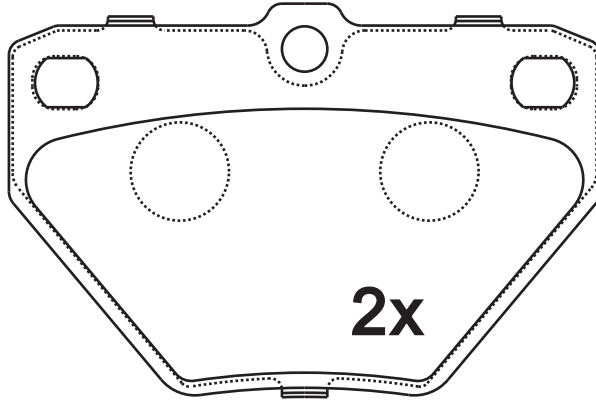
**Thickness
(mm)**

14

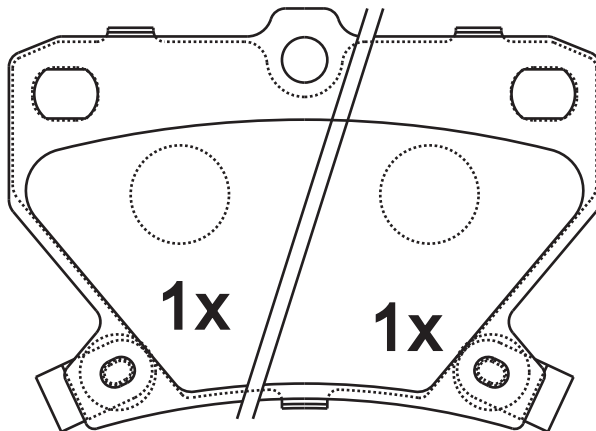


NOTE

2 identical; 2 identical, 1 with acoustic indicator (left), 1 with acoustic indicator (right).



23521



23522

23523

Apply for:

Toyota Corolla
Toyota Prius
Toyota Celica
Toyota Yaris
Toyota Yaris

Saloon 08.02-07.07
Hatchback 08.03-03.09
Coupe 11.99-
Hatchback 04.99-
MPV 11.99-

SR0232

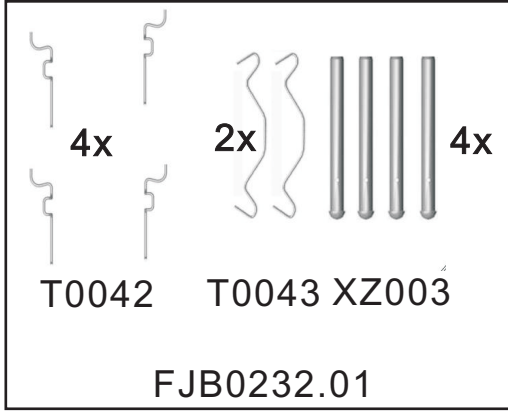
**Dimension
(mm)**

**Thickness
(mm)**



NOTE

**附件包
Accessory bag**



SR0233.01

**Dimension
(mm)**

134.6×77.3

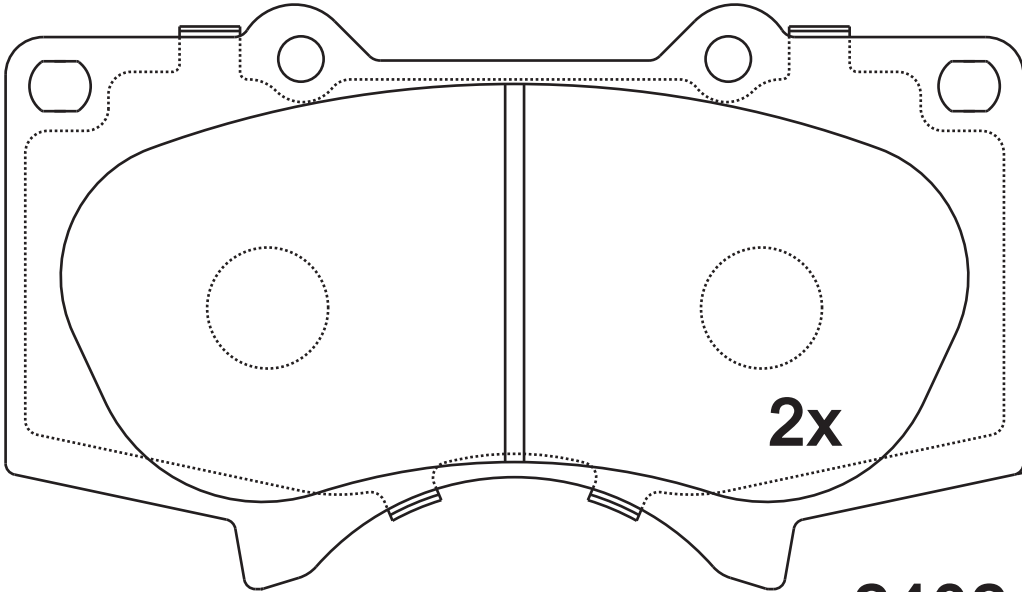
**Thickness
(mm)**

17.5

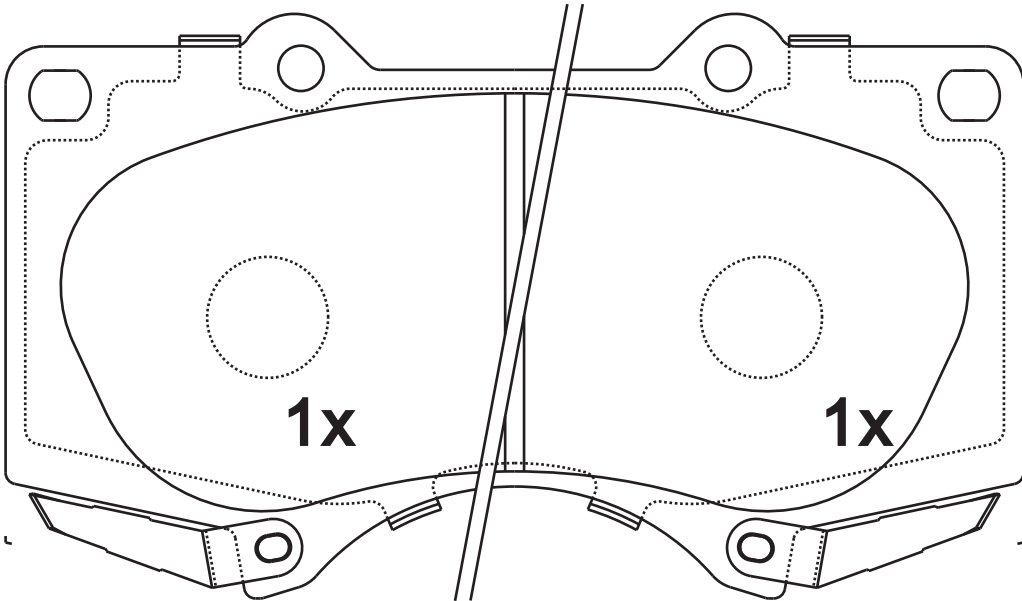


NOTE

4 identical, 1 with
acoustic indicator(left),
1 with acoustic indicator
(right).



24024



24025

24026

Apply for:

Mitsubishi Pajero IV
Toyota Land Cruiser Prado

Closed off-Road
Closed off-Road

02.07-
09.02-

SR0233.02

**Dimension
(mm)**

134.6×77.3

**Thickness
(mm)**

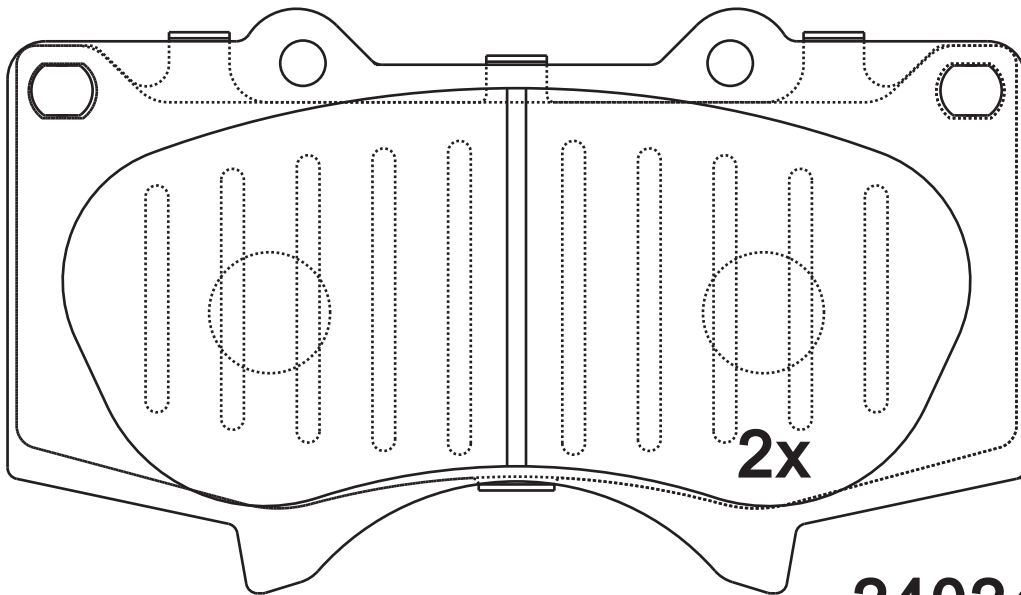
17.5



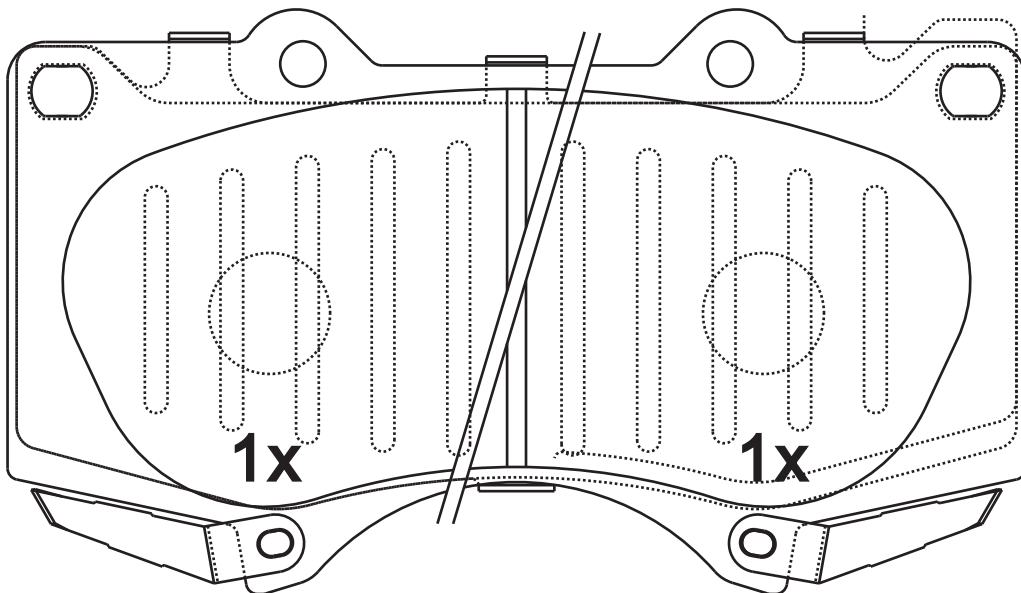
NOTE

4 identical, 1 with
acoustic indicator(left),
1 with acoustic indicator
(right).

带两种减震片



24024



24025

24026

Apply for:

Mitsubishi Pajero IV
Toyota Land Cruiser Prado

Closed off-Road
Closed off-Road

02.07-
09.02-

SR0234.01

**Dimension
(mm)**

**Thickness
(mm)**



NOTE

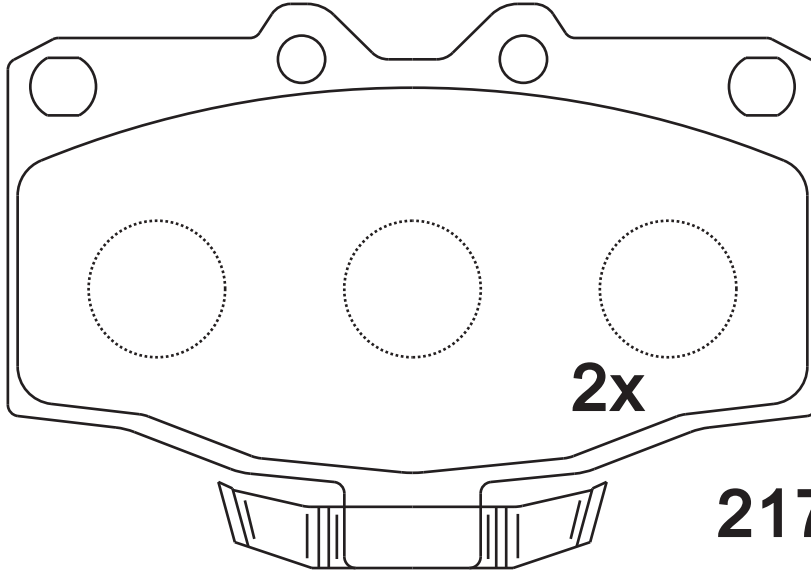
4 identical, 1 with
acoustic indicator (left),
1 with acoustic indicator
(right).

107×69.9/74.6

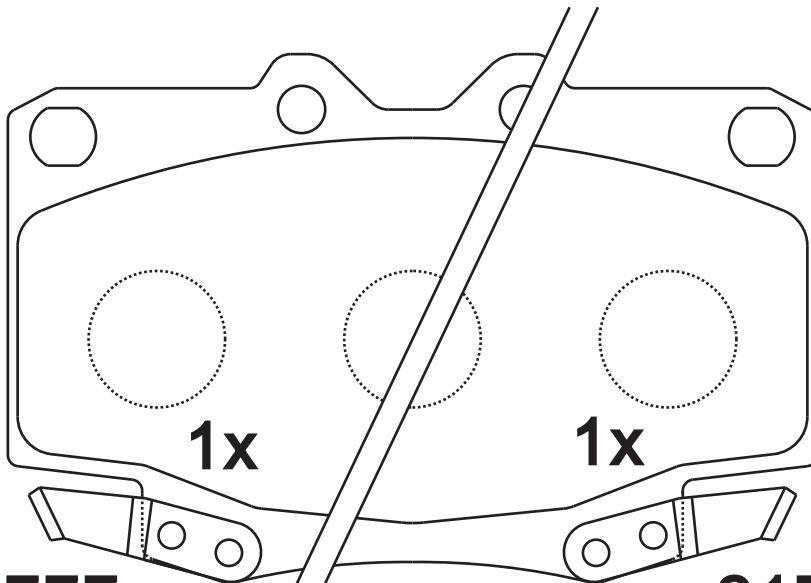
14.7



无模具 不再生产



21779



21777

21778

Apply for:

Toyota Land Cruiser
Toyota Land Cruiser

Closed off-Road
Open off-Road

12.88-12.96
07.90-05.96

SR0235.01

**Dimension
(mm)**

78.6×59.2

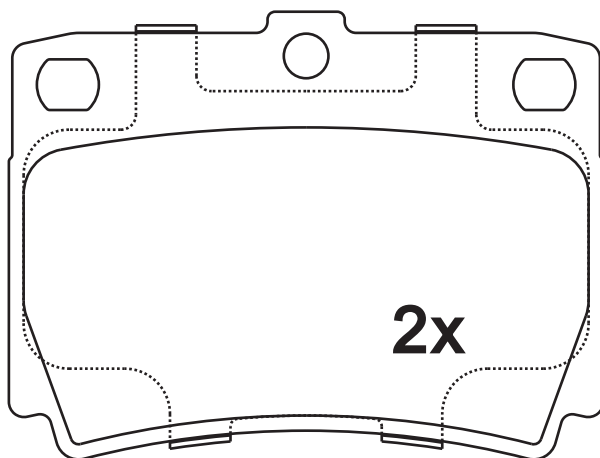
**Thickness
(mm)**

15

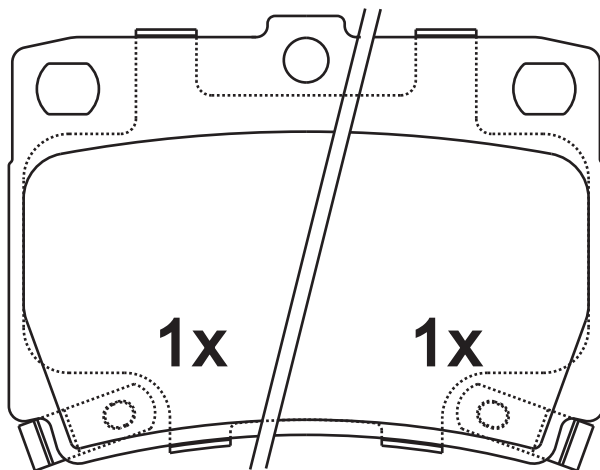


NOTE

4 identical, 1 with acoustic indicator (left), 1 with acoustic indicator (right).



23593



23594

23595

Apply for:

Mitsubishi Pajero II	Closed off-Road	04.91-10.99
Mitsubishi Pajero II	Open off-Road	12.90-04.00
Mitsubishi Pajero Sport	Closed off-Road	06.00-

SR0236.01

**Dimension
(mm)**

149×52.9

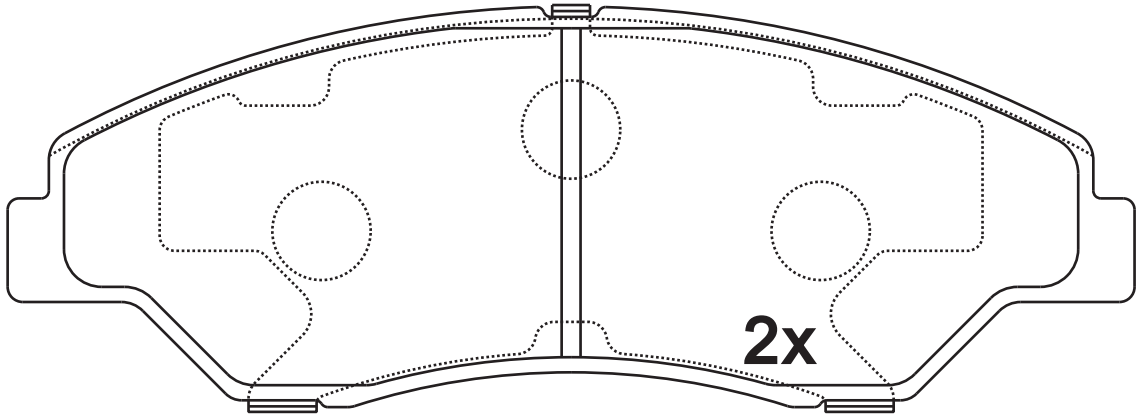
**Thickness
(mm)**

15.3

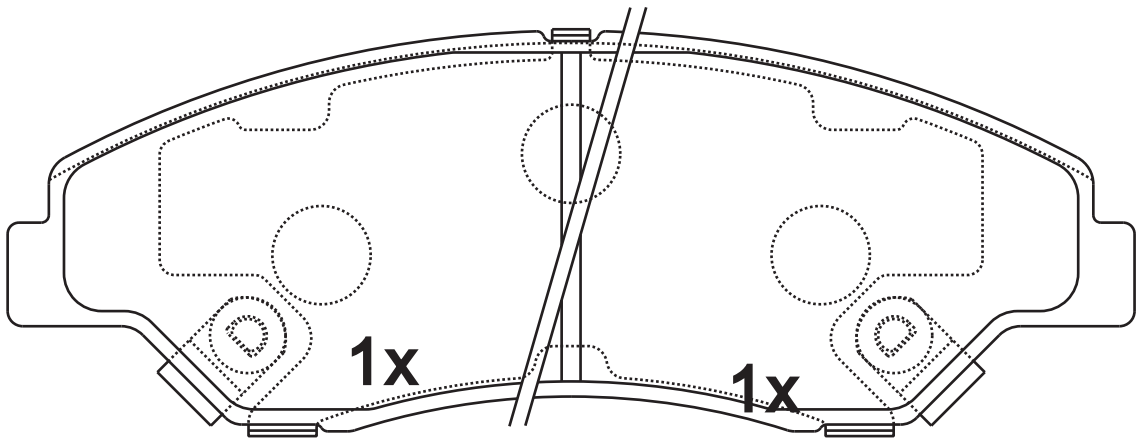


NOTE

4 identical, 1 with
acoustic indicator (left),
1 with acoustic indicator
(right).



23442



23443

23444

Apply for:

Kia Sportage
Kia Retona

Closed off-Road
Closed off-Road

04.94-08.03
12.90-04.00

SR0237.01

**Dimension
(mm)**

104.8×72.4

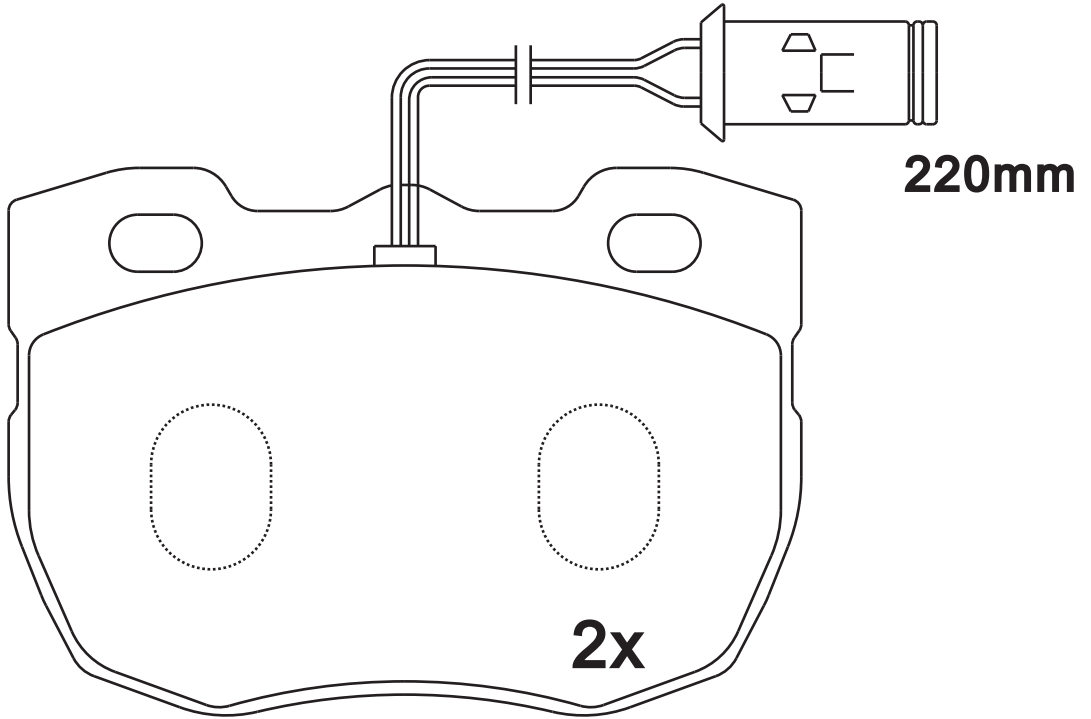
**Thickness
(mm)**

18.5

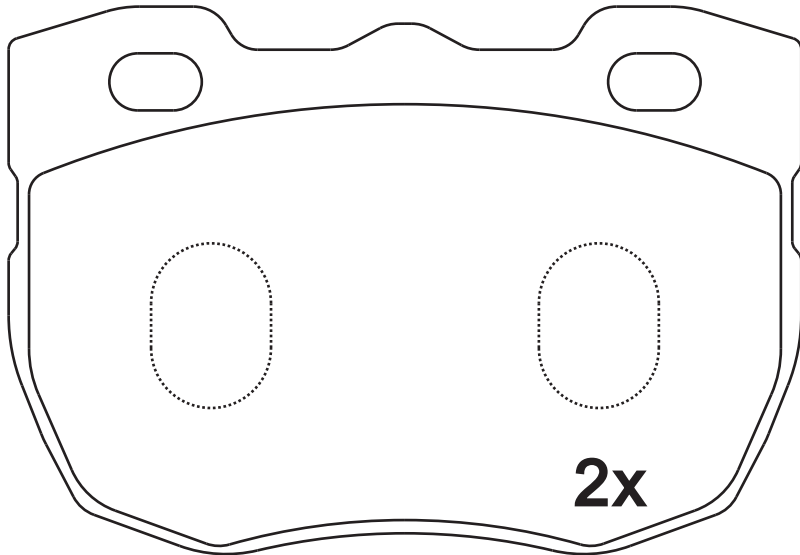


NOTE

4 identical, 2 with wear indicator: 220mm.



21897



21459

Apply for:

Land Rover Discovery I Closed off-Road
Land Rover Range Rover Closed off-Road

09.93-10.98
11.88-07.94

SR0237.02

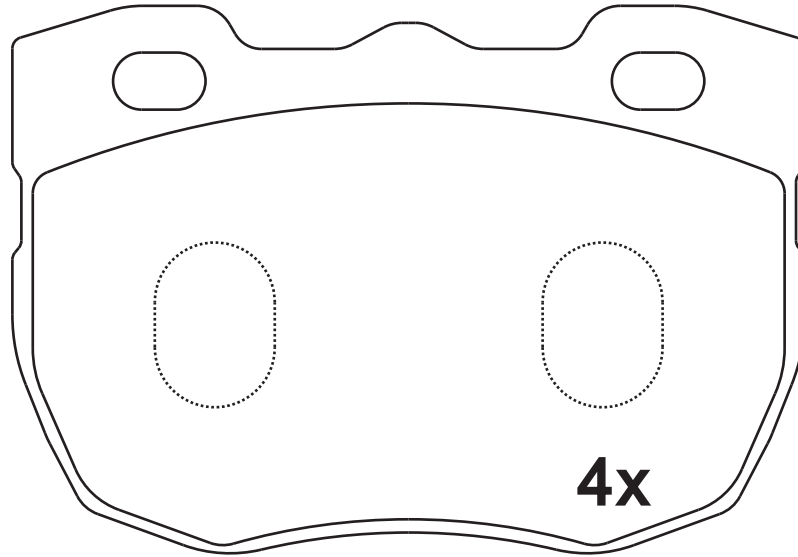
**Dimension
(mm)**

**Thickness
(mm)**



NOTE

4 identical;



21459

Apply for:

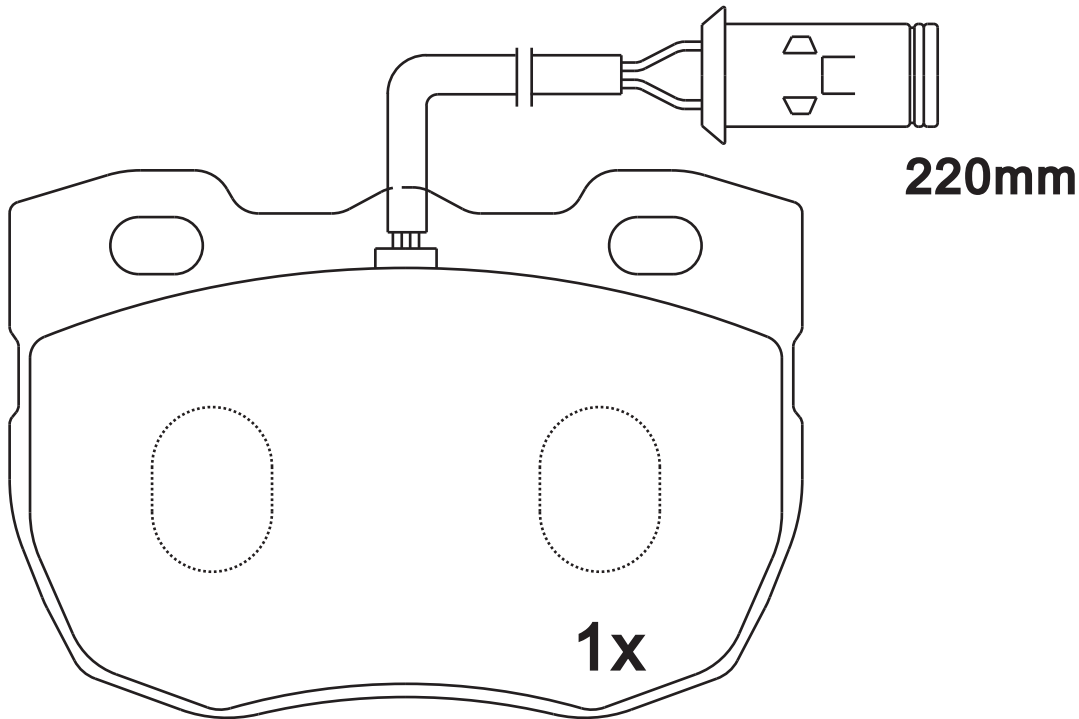
Land Rover Discovery
Land Rover Range Rover

1994-1999
1990-1994

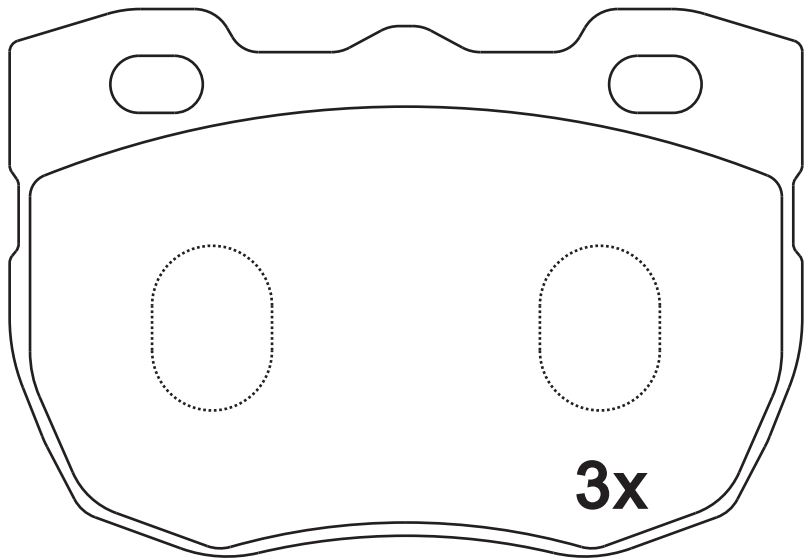
SR0237.03

Dimension (mm)	Thickness (mm)	
104.8×72.4	18.5	

NOTE
4 identical, 1 with wear indicator: 220mm.



21897



21459

Apply for:

- Land Rover Discovery I Closed off-Road 09.93-10.98
- Land Rover Range Rover Closed off-Road 11.88-07.94

SR0238.01

**Dimension
(mm)**

158.6×55.9

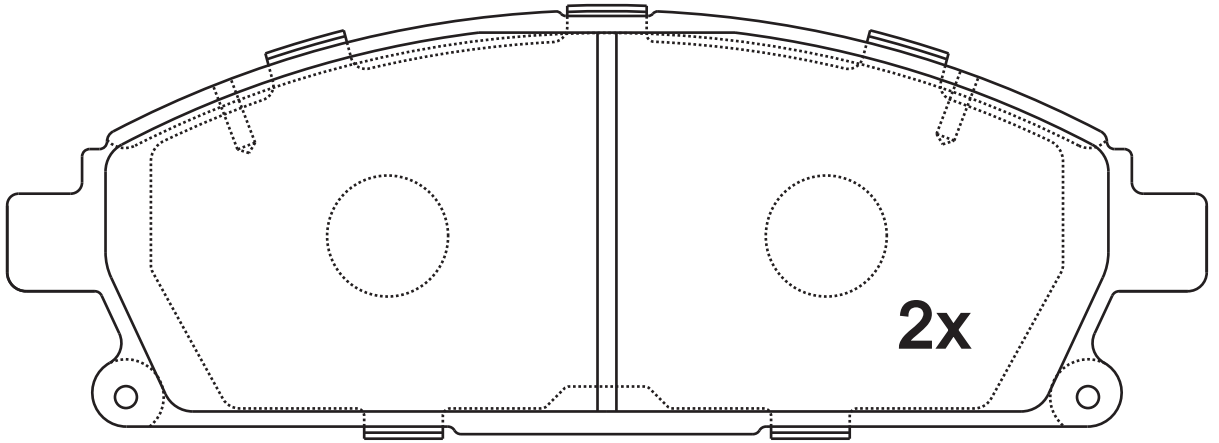
**Thickness
(mm)**

17



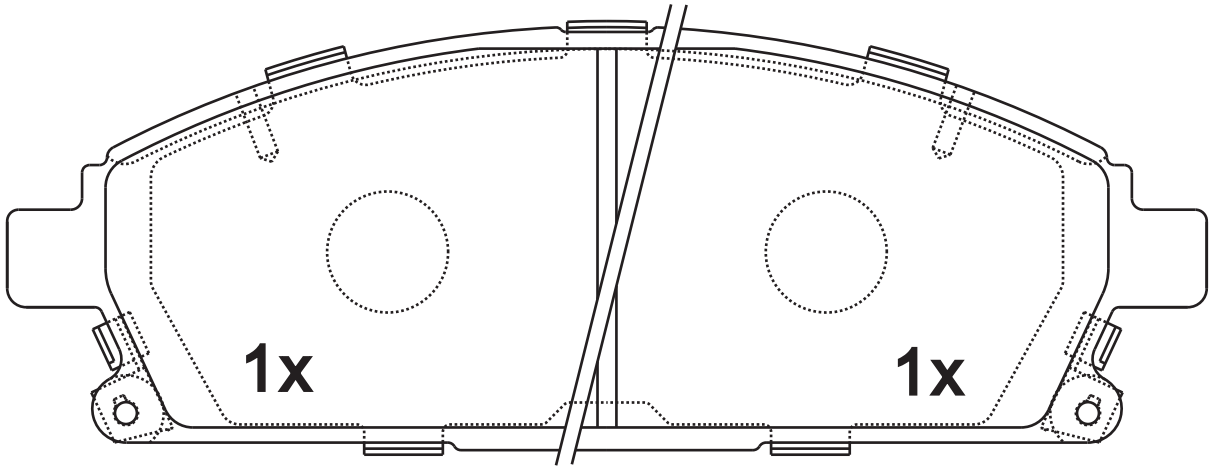
NOTE

4 identical, 1 with acoustic indicator (left), 1 with acoustic indicator (right).



2x

23420



1x

1x

23421

23422

Apply for:

Nissan X-trail
Nissan Bassara

Closed off-Road
MPV

07.01-
11.99-08.03

SR0238.02

**Dimension
(mm)**

158.6×55.9

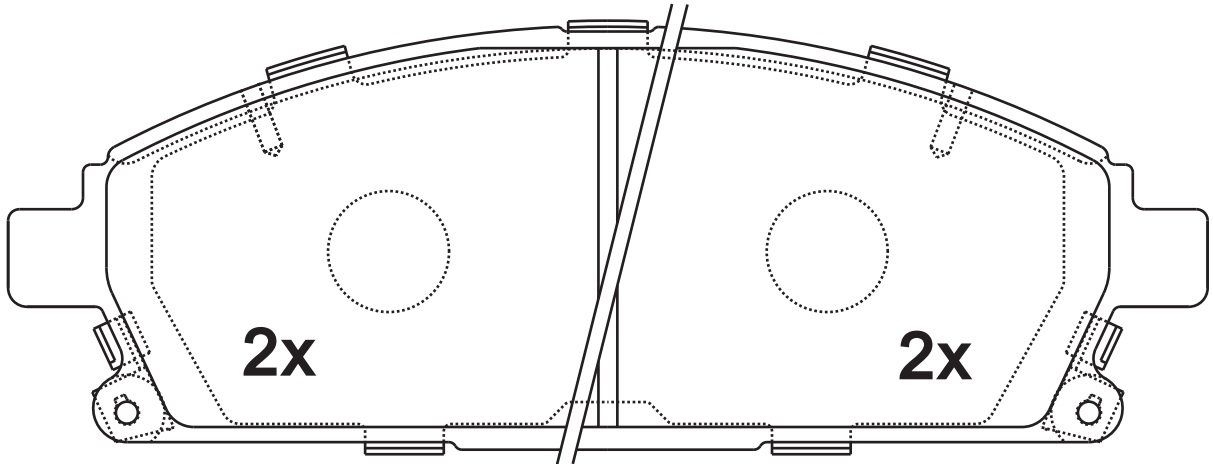
**Thickness
(mm)**

17



NOTE

4 identical, 2 with acoustic indicator(left), 2 with acoustic indicator(right).



23421

23422

Apply for:

Acura MDX	2003-2006
Infiniti Q45	1997-1999
Infiniti QX4	1997-2001
Nissan Pathfinder	1996-2001
Nissan Quest	2004-2009
Nissan X-Trail (Latin America)	2001-2004

SR0238.03

**Dimension
(mm)**

158.6×55.9

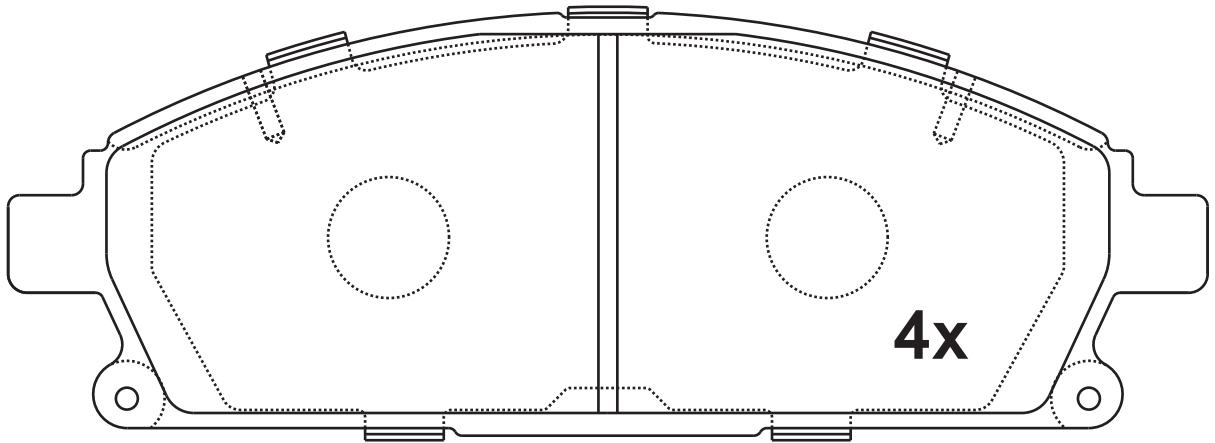
**Thickness
(mm)**

17



NOTE

4 identical;



23420

Apply for:

Acura MDX	2003-2006
Infiniti Q45	1997-1999
Infiniti QX4	1997-2001
Nissan Pathfinder	1996-2001
Nissan Quest	2004-2009
Nissan X-Trail (Latin America)	2001-2004

SR0239.01

**Dimension
(mm)**

154×56.2

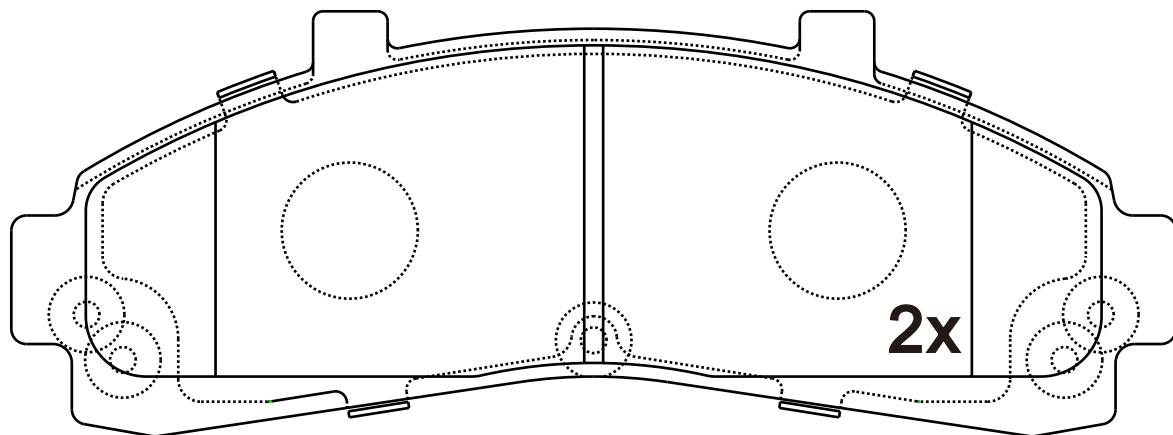
**Thickness
(mm)**

17

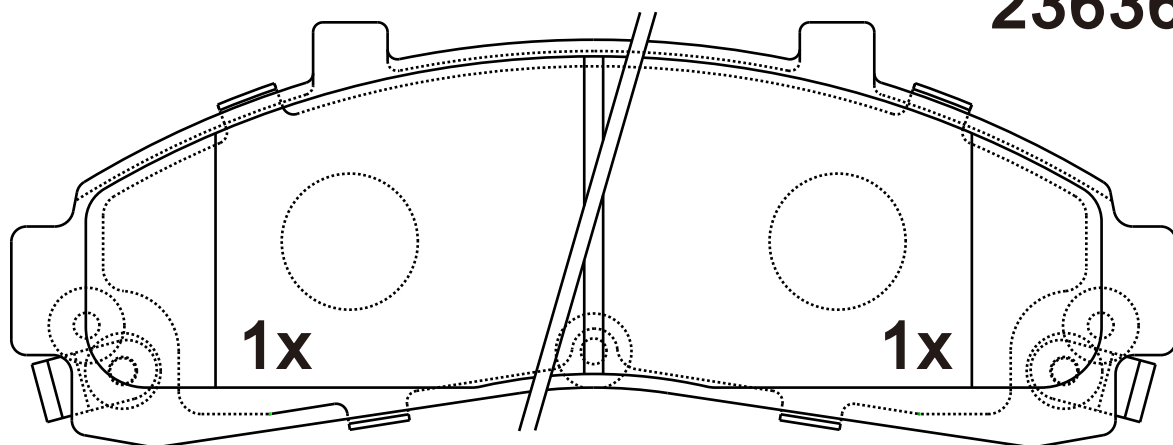


NOTE

4 identical, 1 with acoustic indicator (left), 1 with acoustic indicator (right).



23636



23472

23473

Apply for:

Ford Explorer
Ford Ranger

Closed off-Road
Pickup

01.93-
10.90-12.98

SR0240.01

**Dimension
(mm)**

83.8×60.1

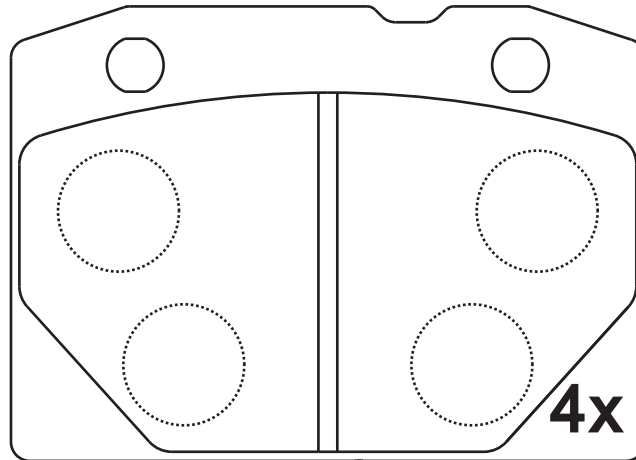
**Thickness
(mm)**

16



NOTE

4 identical;



20166

Apply for:

Lada 1200-1500

Lada 1200-1600

Lada Riva

Lada Riva

Lada Toscana

Estate

Saloon

Saloon

Estate

Saloon

09.73-06.85

01.70-02.93

05.81-

09.85-

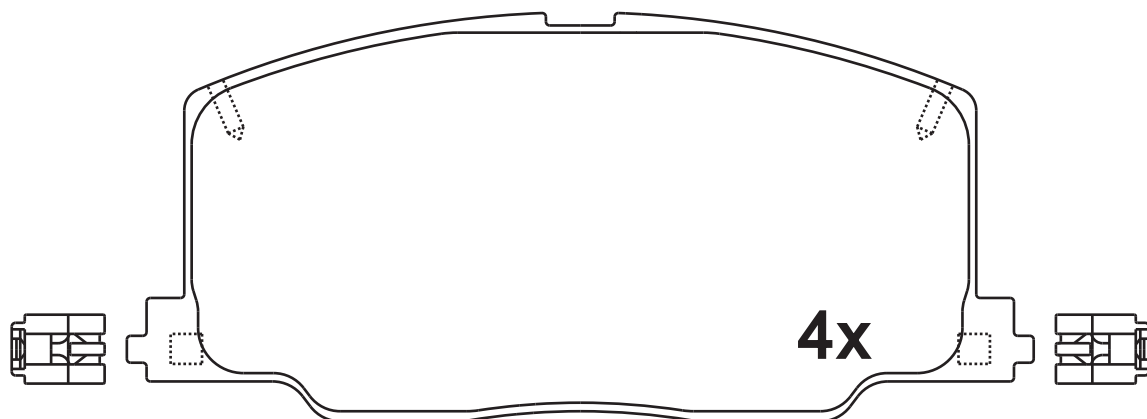
09.83-

SR0241.01**Dimension
(mm)**

119.9×54

**Thickness
(mm)**

15

**NOTE****4 identical;****无模具****21372****Apply for:**

Toyota Camry	Saloon	11.86-05.91
Toyota Camry	Estate	11.86-05.91
Toyota Carina II	Hatchback	12.87-03.92
Toyota Carina II	Estate	12.87-04.92
Toyota Carina II	Saloon	12.87-03.92
Toyota Celica	Saloon	01.87-08.90
Toyota Celica	Convertible	10.86-08.90
Toyota Celica	Coupe	10.89-01.94
Toyota Celica	Hatchback	08.85-08.89

SR0242.01

**Dimension
(mm)**

104.3×53.5

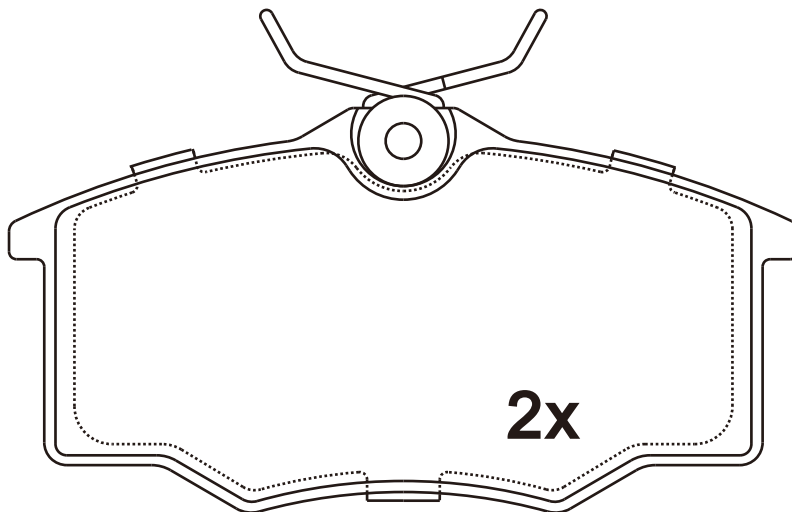
**Thickness
(mm)**

16.3

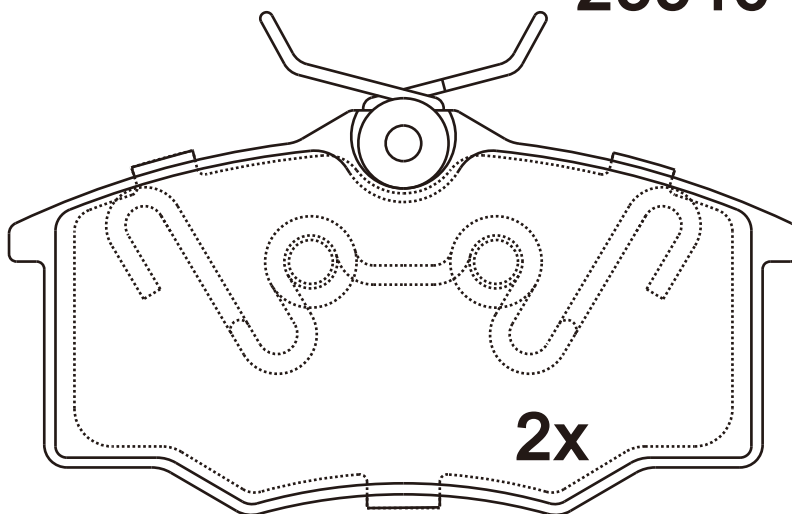


NOTE

2 identical;2 identical;



23546



23547

Apply for:

Volkswagan Parati
Volkswagan Saveiro

Estate
Platform

08.02-
08.90-

SR0243.01

**Dimension
(mm)**

102.6×46.7
108×46.7

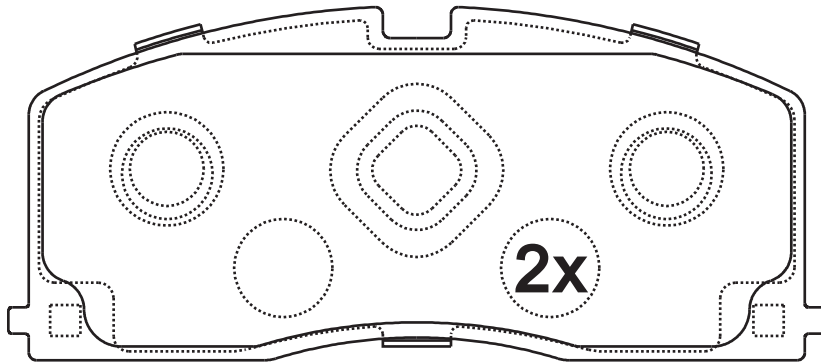
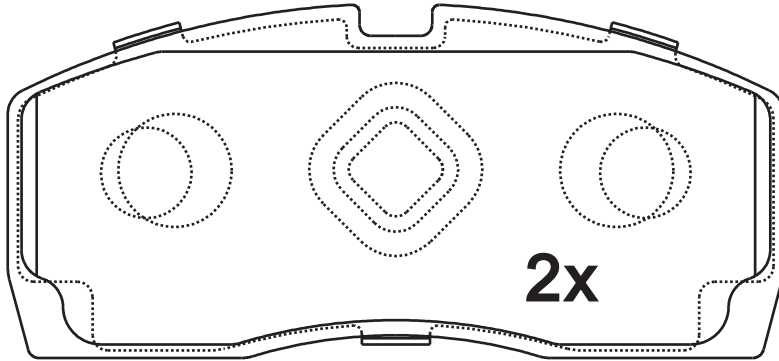
**Thickness
(mm)**

14

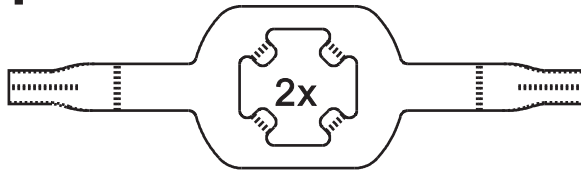


NOTE

2 identical; 2 identical;

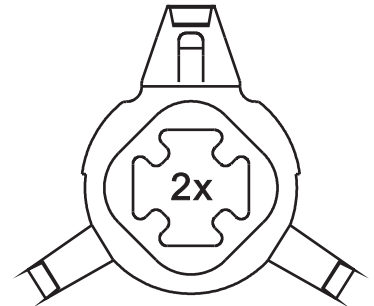
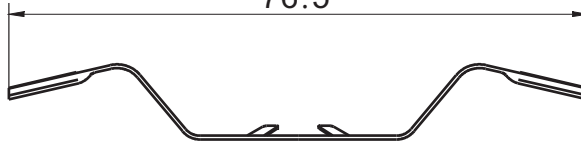


D1511



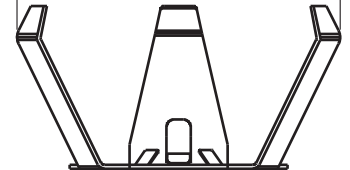
K0018

76.5



K0378

42.7



B0099

Apply for:

FAW F1

Saloon

2008-2009

SR0244.01

**Dimension
(mm)**

154×58.8

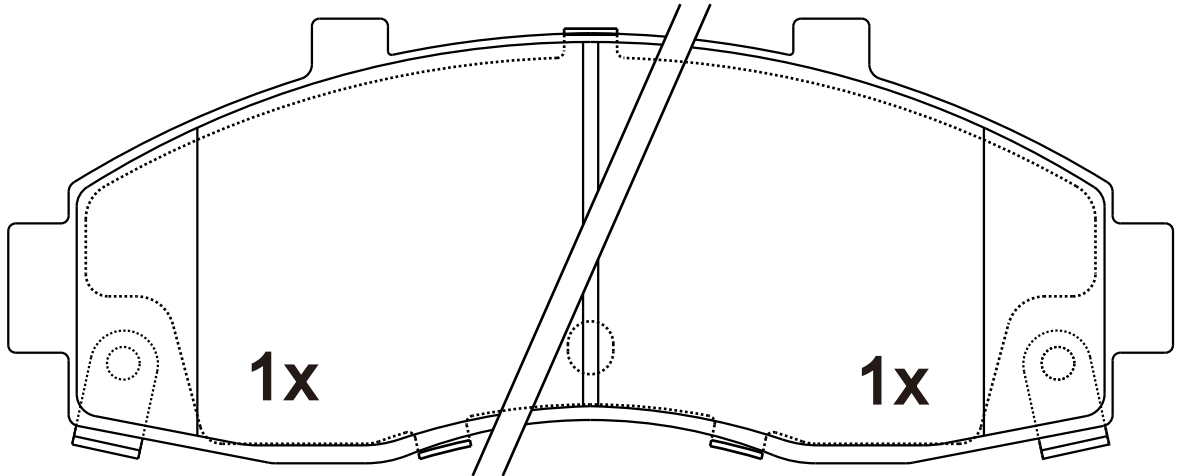
**Thickness
(mm)**

17



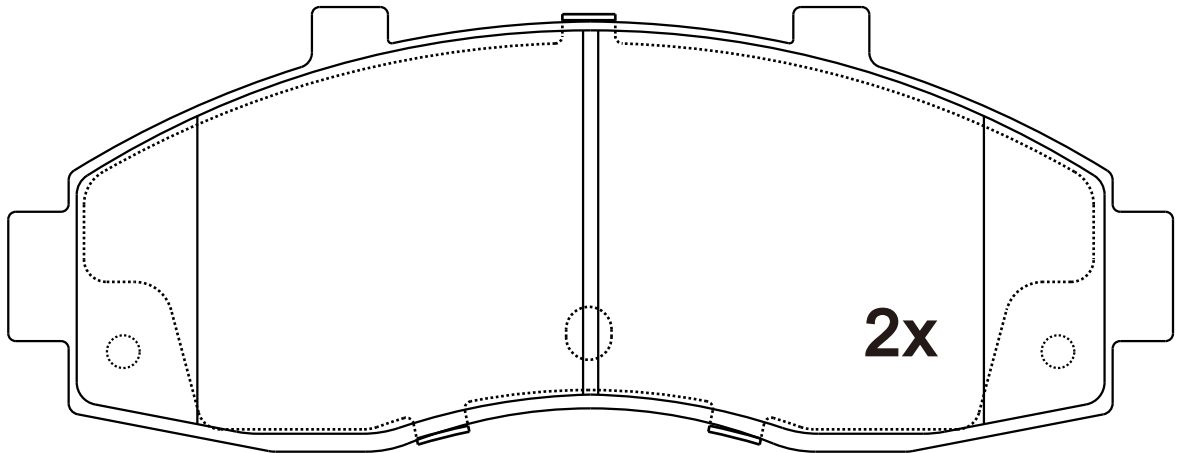
NOTE

4 identical, 1 with acoustic indicator (left), 1 with acoustic indicator (right).



23485

23486



23484

Apply for:

Kia Pregio
Kia Besta Kasten

Bus
Box

08.95-09.04
08.90-

SR0245.01

**Dimension
(mm)**

122.8×51.5

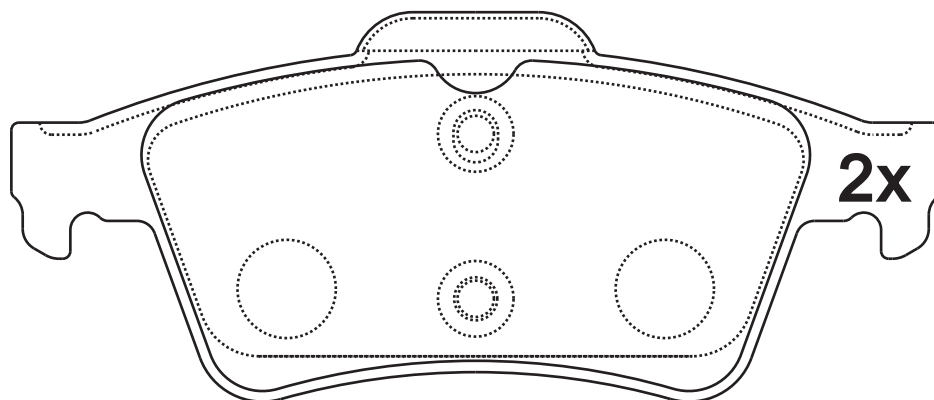
**Thickness
(mm)**

15.8

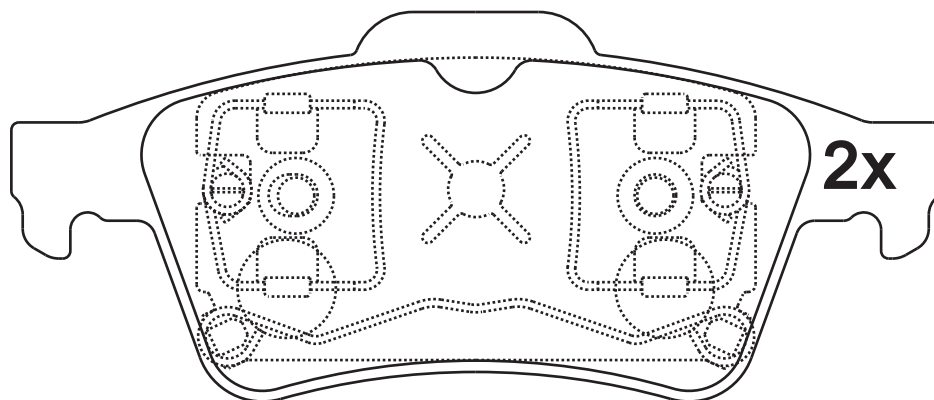


NOTE

2 identical;2 identical;



23482



23483

Apply for:

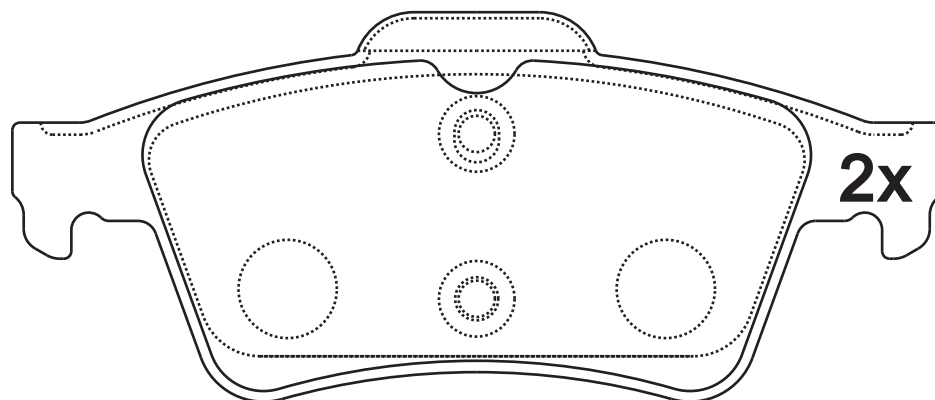
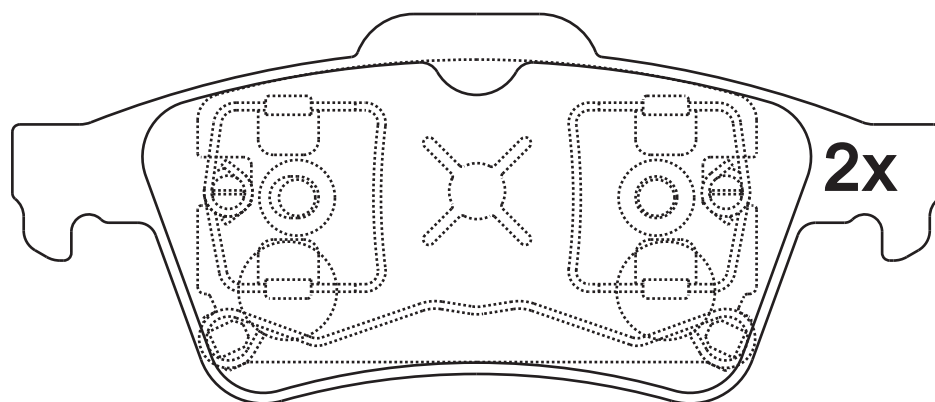
Nissan Primera	Hatchback	07.02-
Nissan Primera	Saloon	01.02-
Nissan Primera	Estate	01.02-
Renault Laguna II	Hatchback	04.01-
Renault Laguna II	Estate	03.01-
Renault Megane II	Hatchback	11.02-
Renault Megane II	Saloon	09.03-
Renault Megane II	MPV	06.02-

SR0245.02**Dimension
(mm)**

122.8×51.5

**Thickness
(mm)**

16.6

**NOTE****2 identical;2 identical;****23482****23483****Apply for:**

Nissan Primera	Hatchback	07.02-
Nissan Primera	Saloon	01.02-
Nissan Primera	Estate	01.02-
Renault Laguna II	Hatchback	04.01-
Renault Laguna II	Estate	03.01-
Renault Megane II	Hatchback	11.02-
Renault Megane II	Saloon	09.03-
Renault Megane II	MPV	06.02-

SR0246.01

**Dimension
(mm)**

156.1×67.5
154.8×70.2

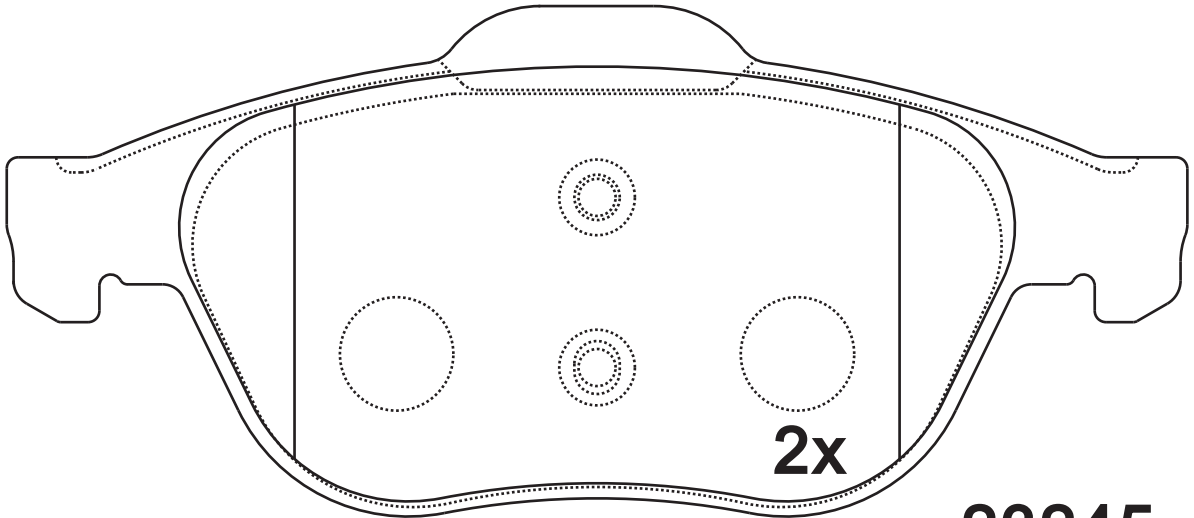
**Thickness
(mm)**

18.3

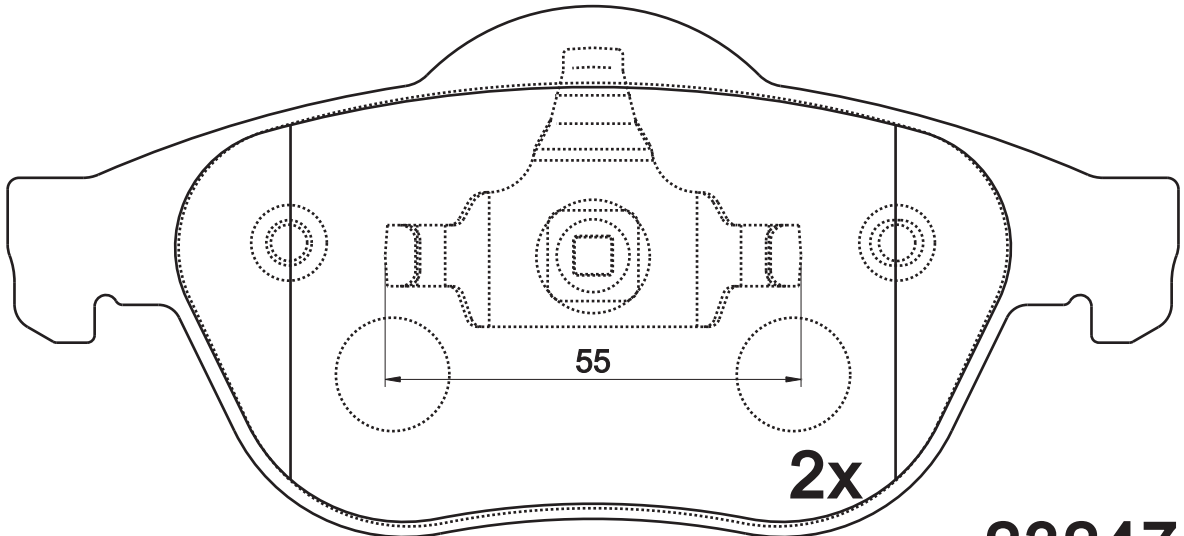


NOTE

**2 identical; 2 identical
with spring.**



23245



23247

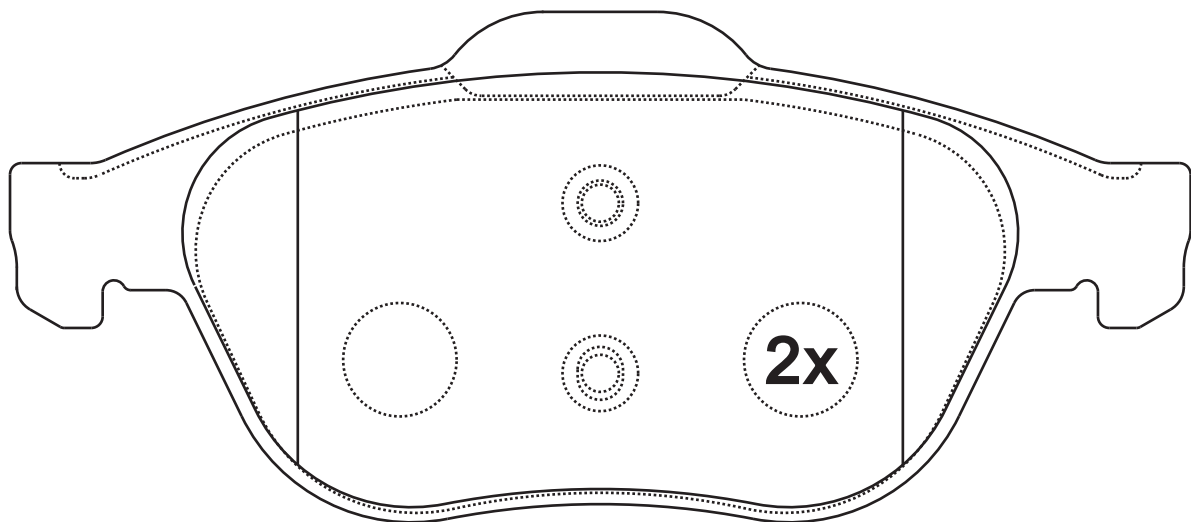
Apply for:

Renault Scenic II	MPV	06.03-
Renault Grand Scenic II	MPV	04.04-
Renault Laguna II	Hatchback	03.01-
Renault Laguna II	Estate	03.01-

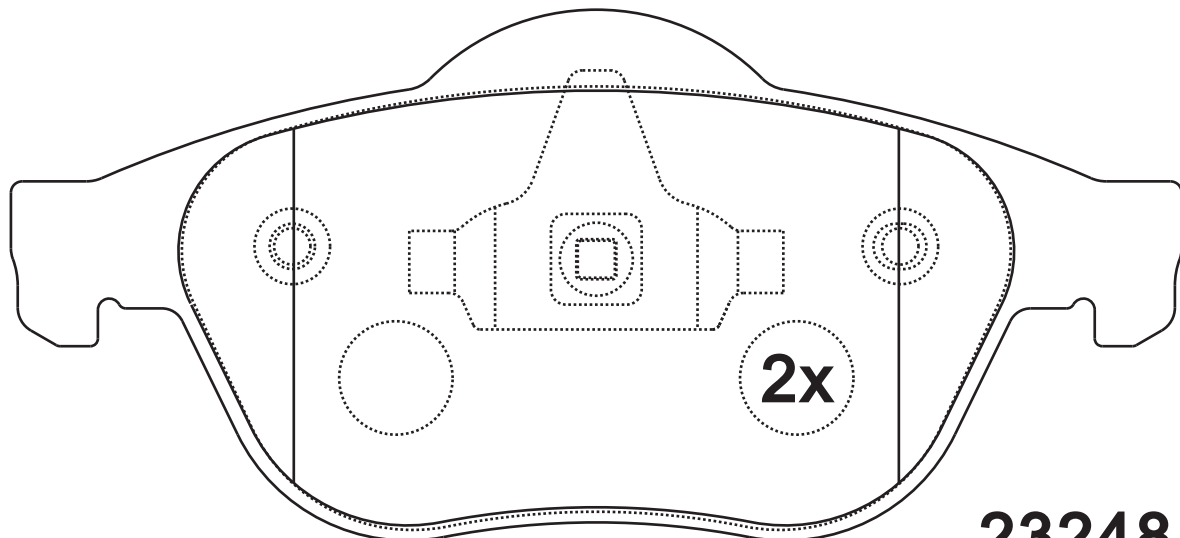
SR0246.02

Dimension (mm)	Thickness (mm)	
155.1/156.3×70.8/68.3	18.3	

NOTE
2 identical; 2 identical with spring.



23245



23248

Apply for:

Renault Scenic II	MPV	06.03-
Renault Grand Scenic II	MPV	04.04-
Renault Laguna II	Hatchback	03.01-
Renault Laguna II	Estate	03.01-

SR0246

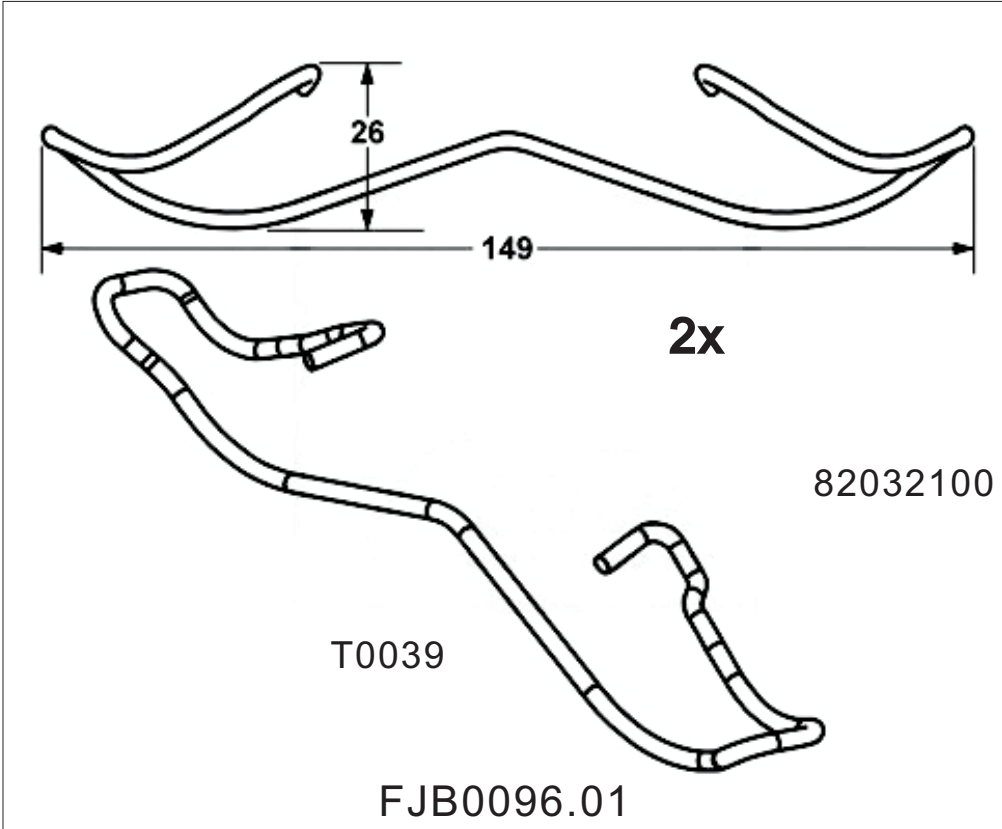
**Dimension
(mm)**

**Thickness
(mm)**



NOTE

附件包
Accessory bag



SR0247.01

**Dimension
(mm)**

122.6×54.2

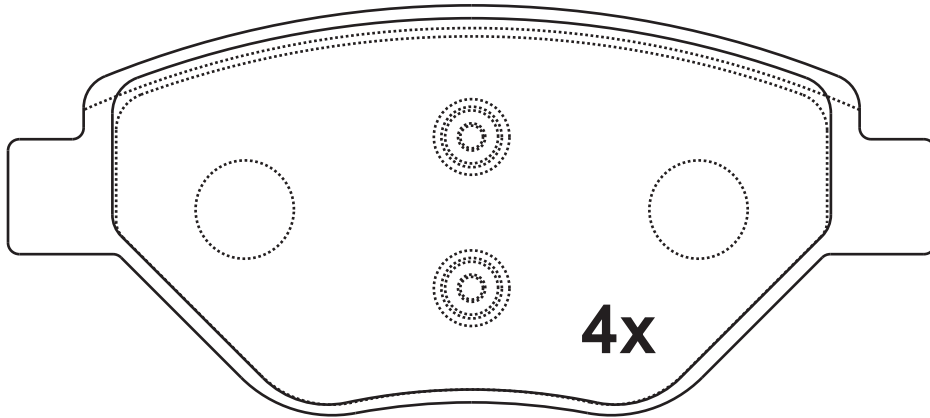
**Thickness
(mm)**

18.3



NOTE

4 identical;



23934

Apply for:

Renault Megane II
Renault Megane II

Hatchback
Saloon

11.02-
09.03-

SR0247

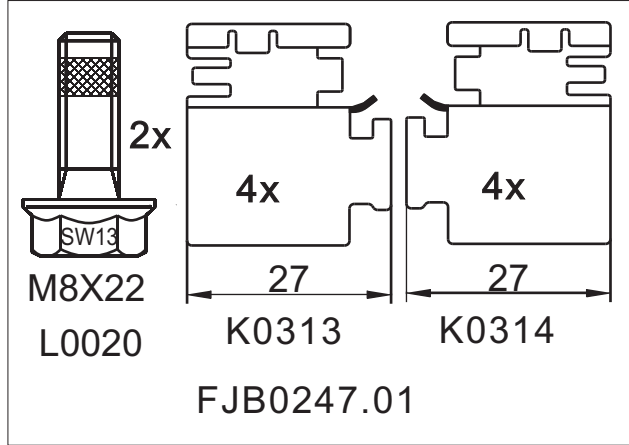
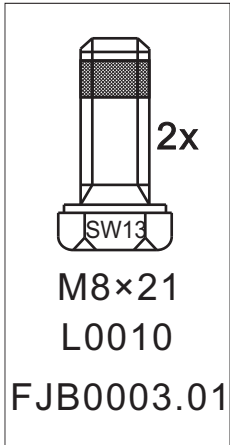
**Dimension
(mm)**

**Thickness
(mm)**



NOTE

**附件包
Accessory bag**



SR0248.01

**Dimension
(mm)**

139.9×54.8

**Thickness
(mm)**

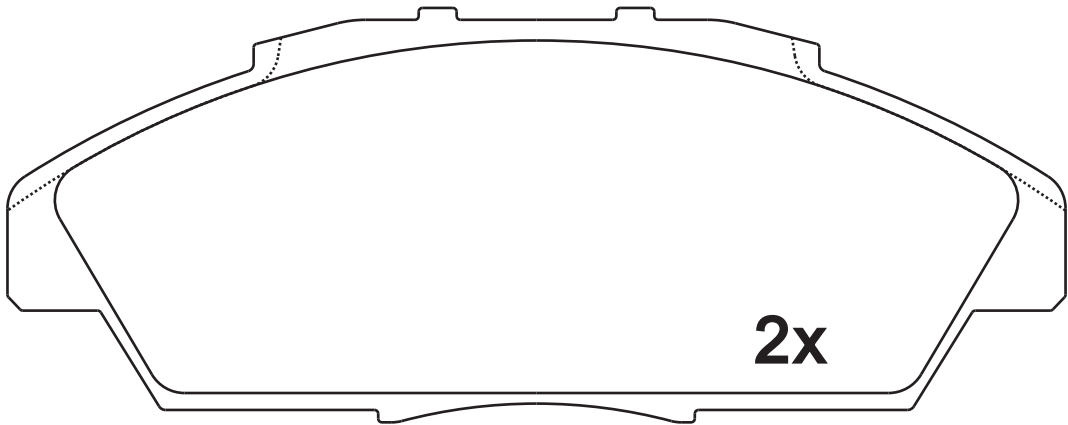
18.5



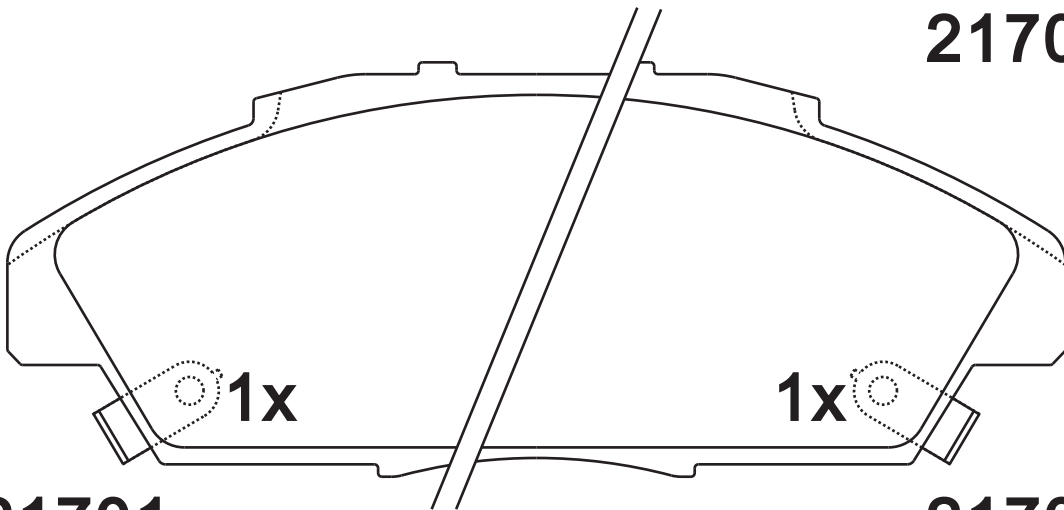
NOTE

4 identical, 1 with
acoustic indicator(left),
1 with acoustic indicator
(right).

无模具



21700



21701

21702

Apply for:

Honda Accord Mk IV	Saloon	11.89-10.93
Honda Accord Mk VI	Saloon	02.96-10.98
Honda Accord V	Coupe	09.93-02.97
Honda NSX	Convertible	01.97-09.05
Honda NSX	Coupe	01.97-09.05

SR0249.01

**Dimension
(mm)**

129×54.8

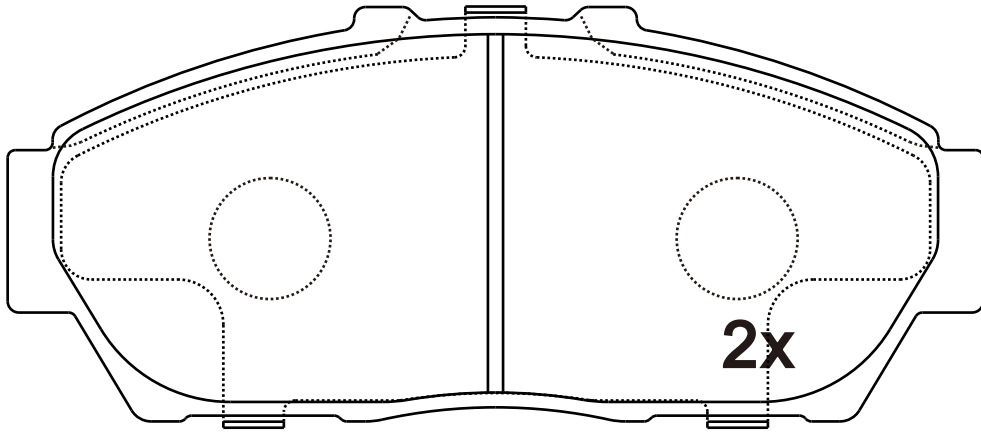
**Thickness
(mm)**

17.2

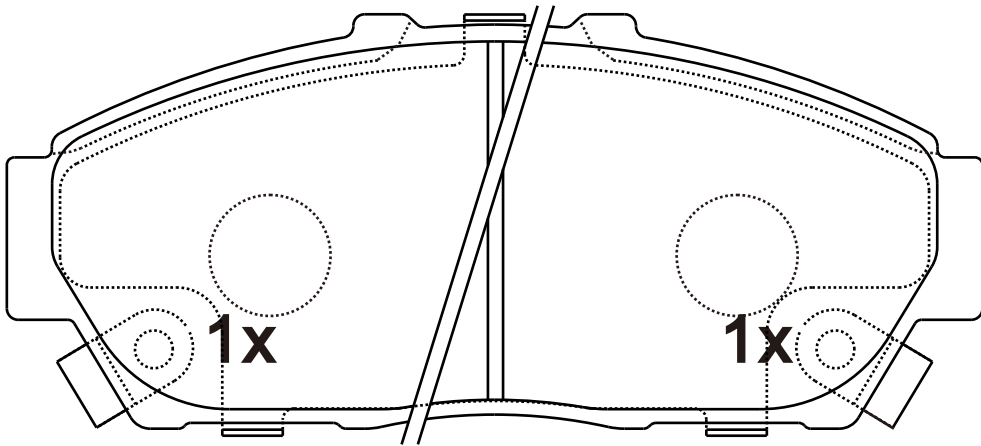


NOTE

4 identical, 1 with acoustic indicator (left), 1 with acoustic indicator (right).



23566



23567

23568

Apply for:

Honda Integra
Honda Orthia

Coupe
Saloon

07.93-11.01
01.96-12.02

SR0250.01**Dimension
(mm)**

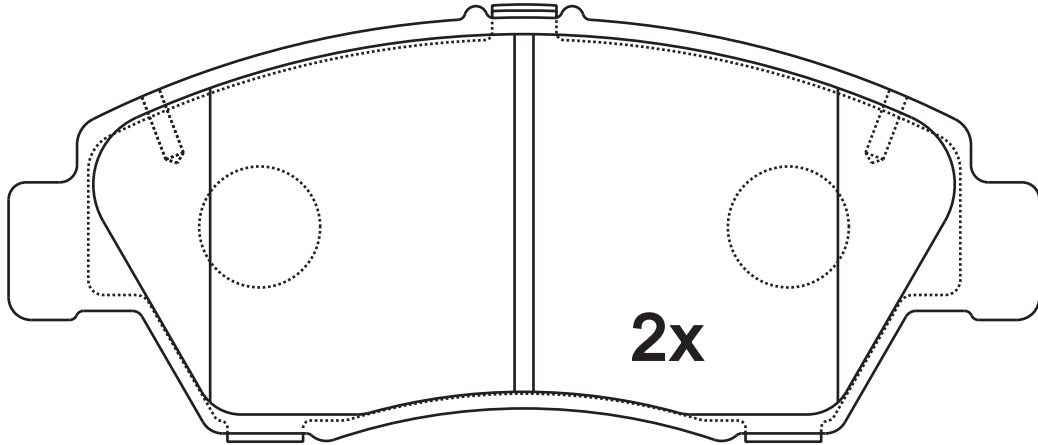
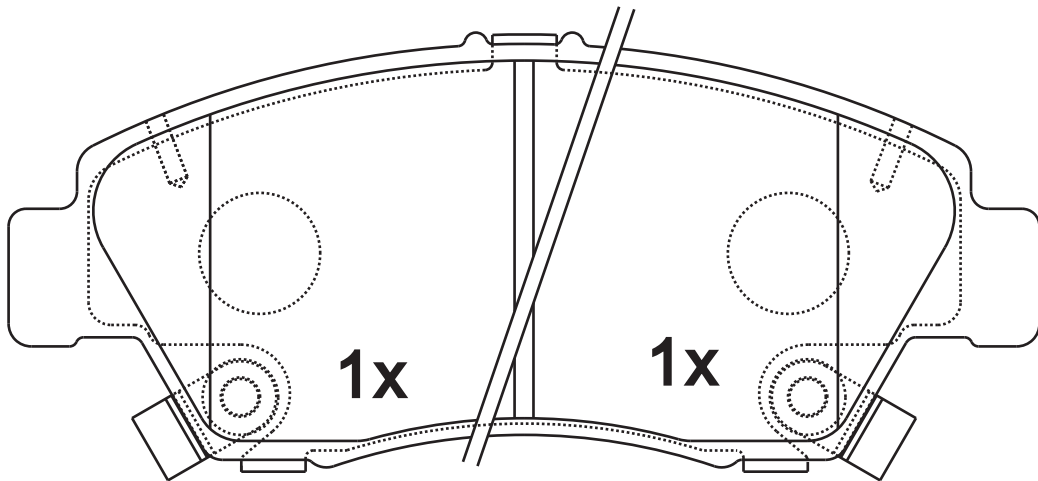
136.3×56

**Thickness
(mm)**

16.3

**NOTE**

4 identical, 1 with
acoustic indicator(left),
1 with acoustic indicator
(right).

**21694****21696****21695****Apply for:**

Honda Civic IV	Saloon	10.91-11.95
Honda Civic IV	Coupe	01.94-03.96
Honda Civic V	Hatchback	10.91-11.95
Honda Civic V	Saloon	10.91-11.95
Honda Civic V	Coupe	01.94-03.96
Honda Civic VI	Hatchback	10.91-11.95
Honda Civic VI	Coupe	03.96-12.00
Honda Civic VII	Hatchback	02.01-09.05
Honda Civic VII	Saloon	01.06-
Honda CRX III	Targa	03.92-12.98

SR0251.01

**Dimension
(mm)**

129×53

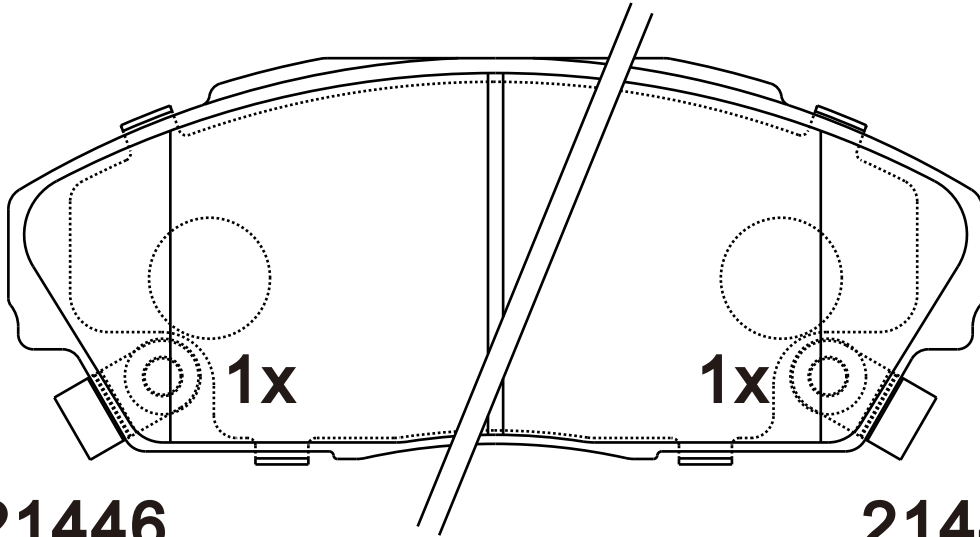
**Thickness
(mm)**

17.5



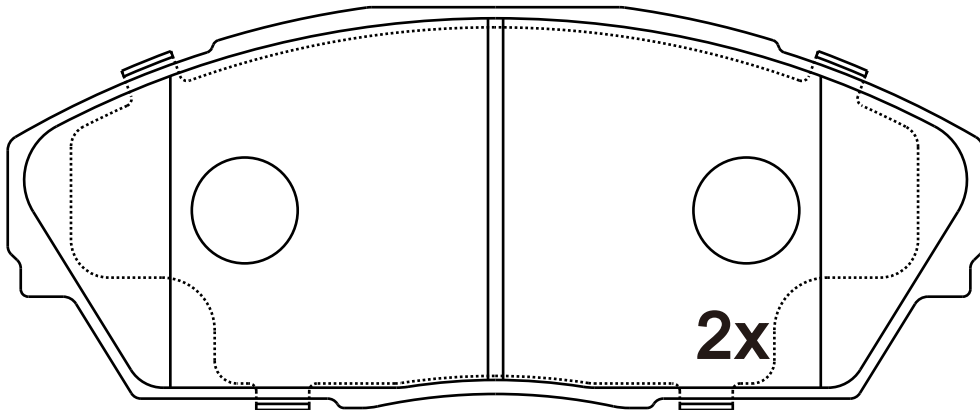
NOTE

4 identical, 1 with
acoustic indicator (left),
1 with acoustic indicator
(right).



21446

21447



21448

Apply for:

Honda Accord III	Saloon	11.85-12.89
Honda Integra	Saloon	10.85-08.93
Honda Legend I	Saloon	01.86-03.91
Honda Legend I	Coupe	10.87-03.91
Honda Prelude III	Saloon	04.86-01.92

SR0252.01

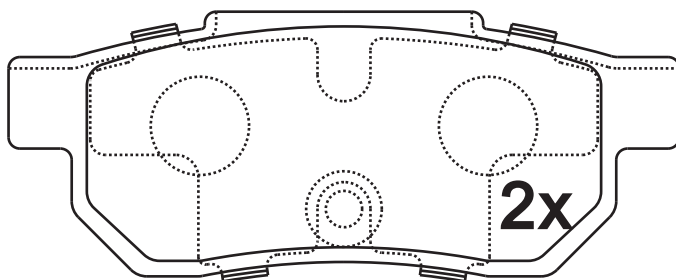
**Dimension
(mm)**

**Thickness
(mm)**

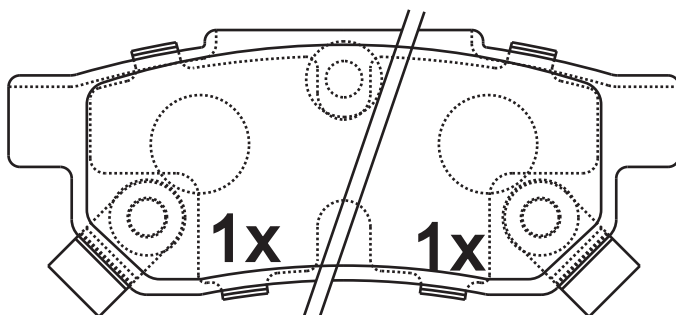


NOTE

4 identical, 1 with acoustic indicator(left), 1 with acoustic indicator(right).



21312



21313

21314

Apply for:

Honda Accord	Saloon	11.85-12.89
Honda Accord	Estate	11.85-12.89
Honda Civic III	Hatchback	09.87-09.91
Honda Civic III	Saloon	09.87-09.91
Honda Civic IV	Hatchback	09.87-09.91
Honda Civic V	Hatchback	10.91-11.95
Honda Civic V	Saloon	10.91-11.95
Honda Civic VI	Hatchback	09.94-02.01
Honda CRX II	Coupe	10.87-02.92

SR0252.02

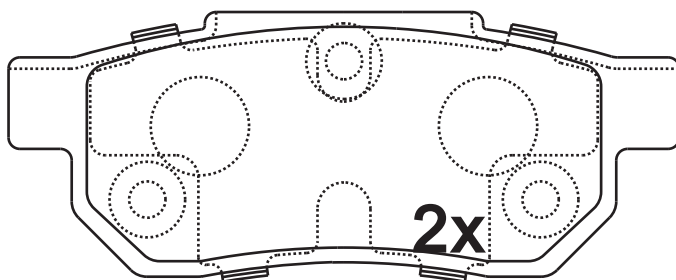
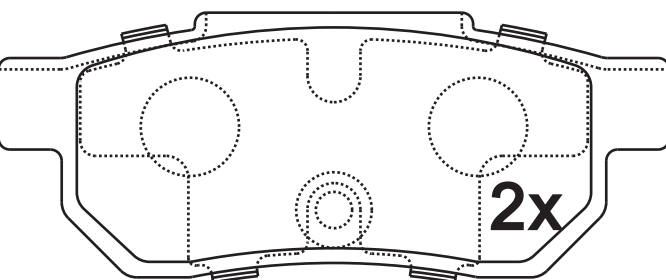
**Dimension
(mm)**

**Thickness
(mm)**



NOTE

2identical,2identical



21312

Apply for:

ACURA INTEGRA Coupe 1.5	1985-1990
ACURA INTEGRA Saloon 1.6	1985-1990
HONDA ACCORD IV (CB) 2.2 i 16V (CB7)	1990-1993
HONDA INTEGRA Hatchback (DA) 1.5 (DA4)	1985-1989

SR0253.01

**Dimension
(mm)**

**Thickness
(mm)**

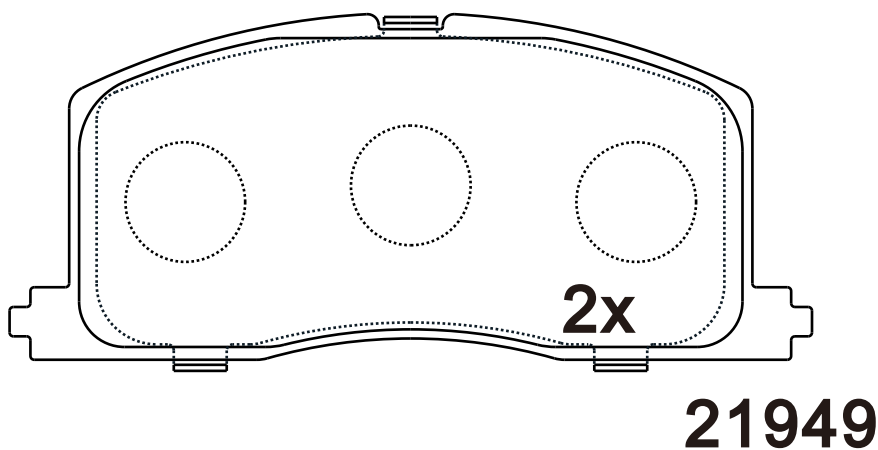
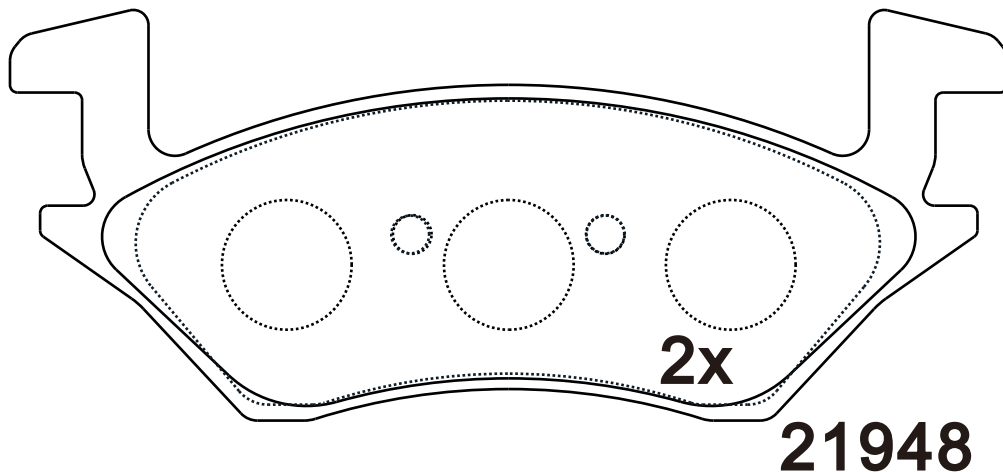


NOTE

2 identical;2 identical;

131.9/106.1×54.3/45.7

13.5



Apply for:

Toyota Starlet

Saloon

12.89-03.96

SR0254.01

**Dimension
(mm)**

107.7×43.1

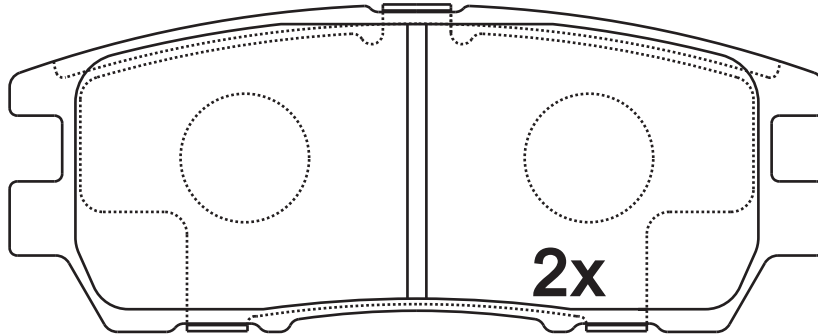
**Thickness
(mm)**

14.4

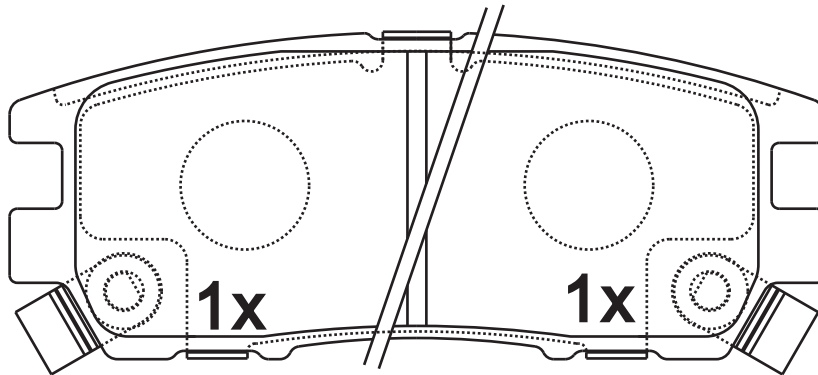


NOTE

4 identical, 1 with acoustic indicator(left), 1 with acoustic indicator(right).



21840



21841

21842

Apply for:

Mitsubishi Pajero II
Mitsubishi Pajero II

Closed off-Road
Open off-Road

12.90-10.99
12.90-04.00

SR0255.01

**Dimension
(mm)**

106×38.2

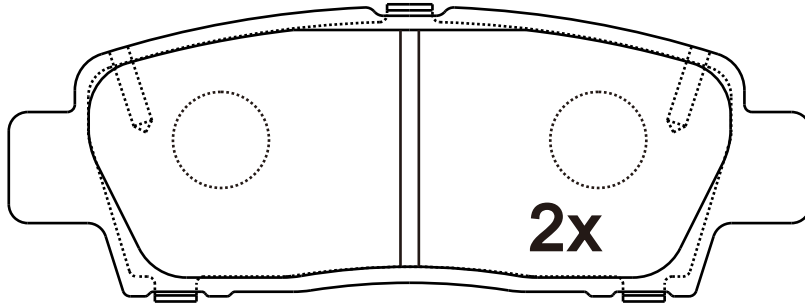
**Thickness
(mm)**

17.9

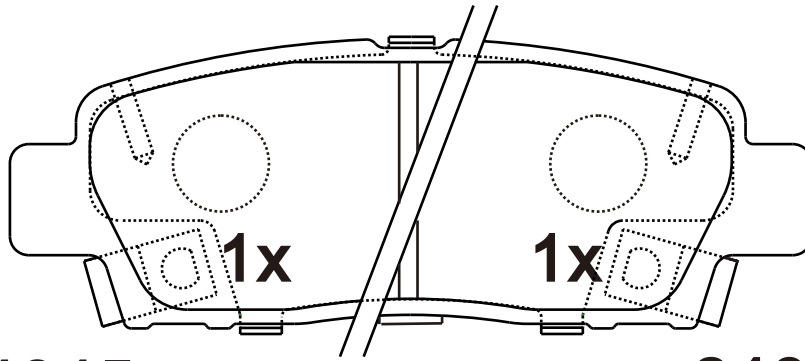


NOTE

4 identical, 1 with acoustic indicator(left), 1 with acoustic indicator(right).



24844



24845

24846

Apply for:

Toyota Avalon

Saloon

1995-1999

SR0256.01

**Dimension
(mm)**

128.3×51.9
136.6×54.9

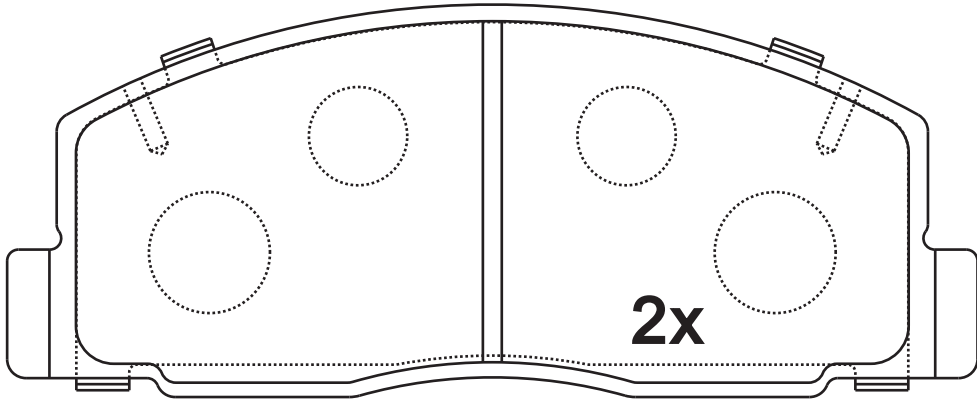
**Thickness
(mm)**

15.5

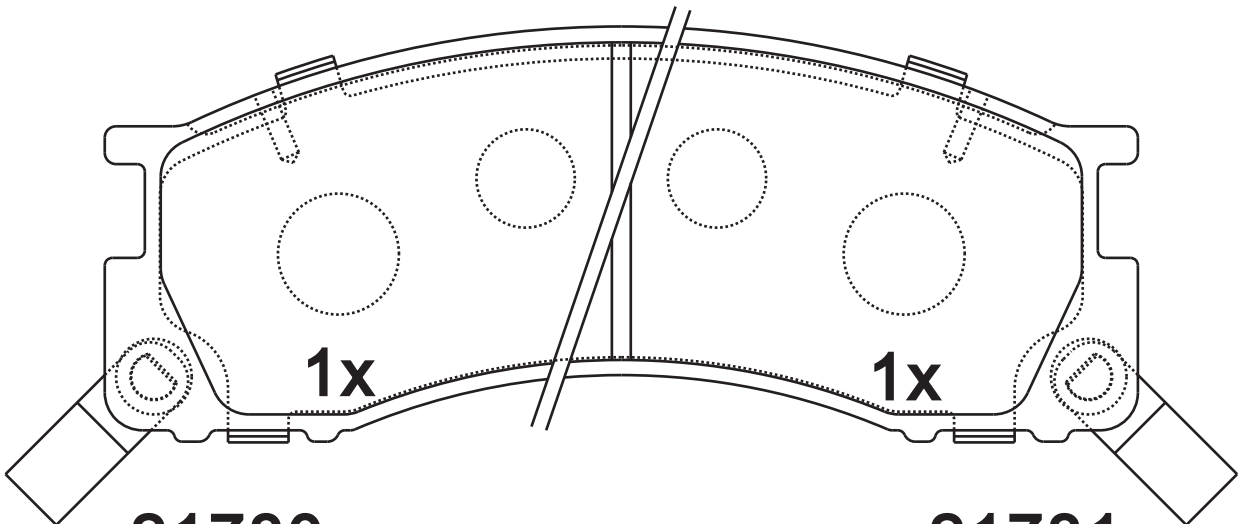


NOTE

2 identical; 2 identical, 1 with acoustic indicator (left), 1 with acoustic indicator (right).



21369



21780

21781

Apply for:

Toyota Previa
Toyota Liteace
Toyota Liteace

MPV
Bus
Box

05.90-08.00
07.89-01.92
10.85-08.88

SR0257.01

**Dimension
(mm)**

144.3×53

**Thickness
(mm)**

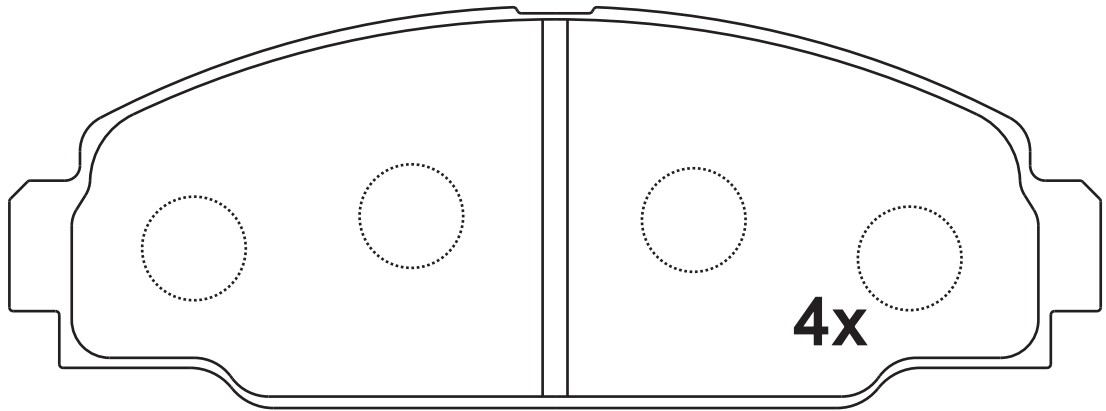
15.5



NOTE

4 identical;

无模具



21783

Apply for:

Toyota Dyna
Toyota Hiace III
Toyota Hiace III

MPV
Box
Bus

08.77-08.87
08.89-08.04
08.89-08.04

SR0258.01

**Dimension
(mm)**

105.1×54.6

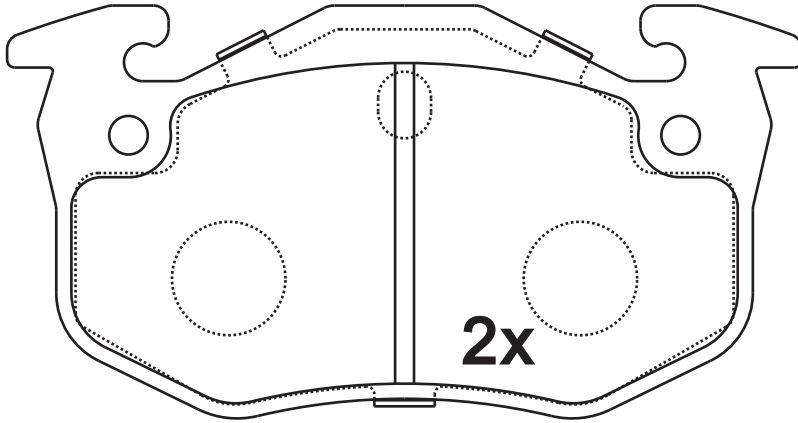
**Thickness
(mm)**

11

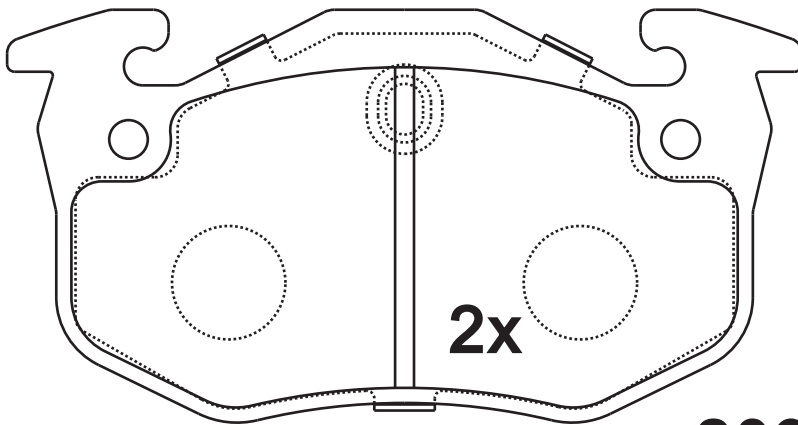


NOTE

2 identical;2 identical;



20973



20974

Apply for:

Peugeot 205,206,306,309
Citroen Xsara

01.90-01.06
01.97-01.03

SR0258.02

**Dimension
(mm)**

105.1×54.6

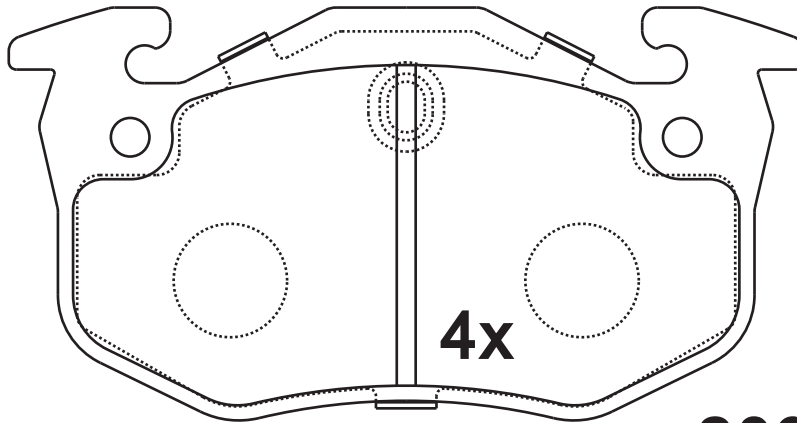
**Thickness
(mm)**

11



NOTE

2 identical;2 identical;



20974

Apply for:

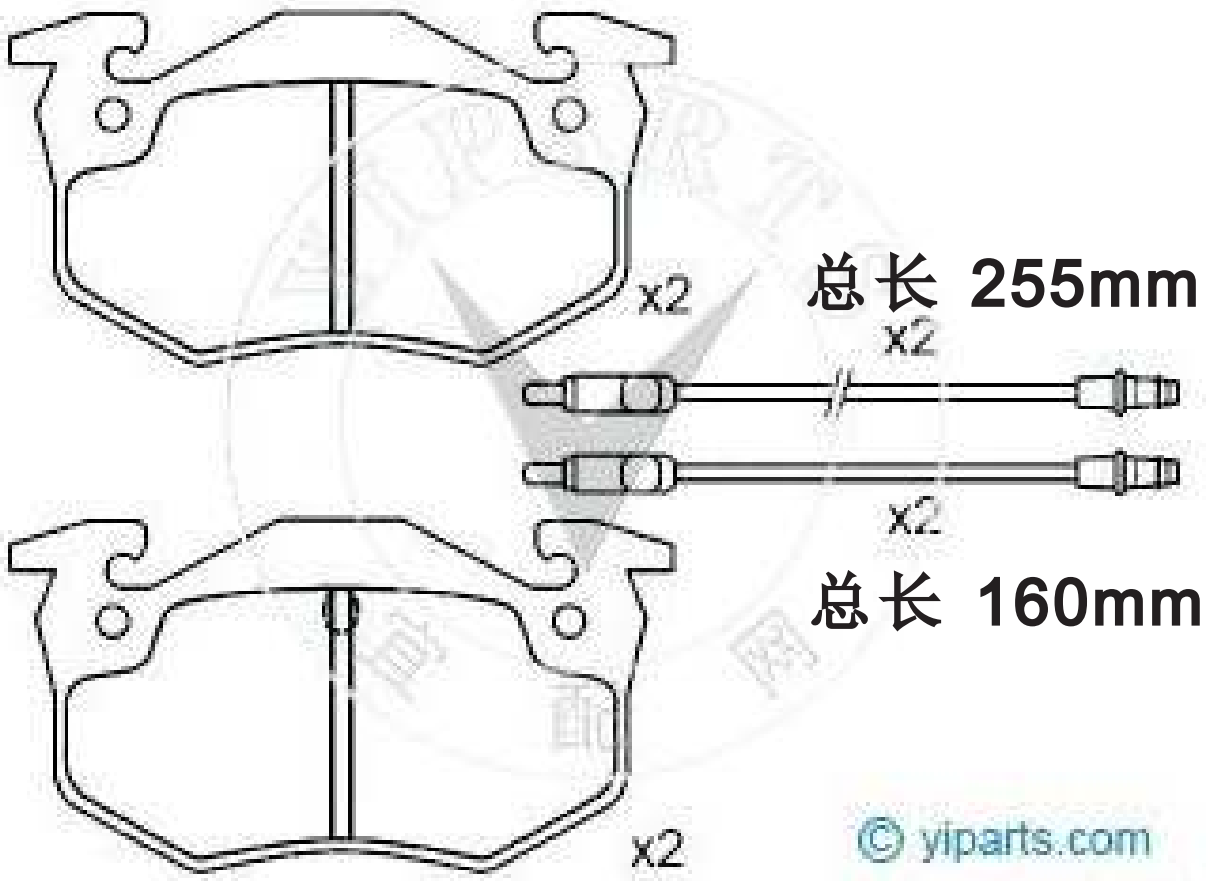
Peugeot 205,206,306,309
Citroen Xsara

01.90-01.06
01.97-01.03

SR0258.03

Dimension (mm)	Thickness (mm)	
105.1×54.6	18	

NOTE
2 identical;2 identical;



20859 20860

Apply for:

- Alpine A310
- Alpine V6
- Citroen Bx
- Citroen Bx Break

- 1971/01-1984/12
- 1985/01-1992/03
- 1982/10-1994/12
- 1983/04-1994/12

SR0258.04

**Dimension
(mm)**

105.1×54.6

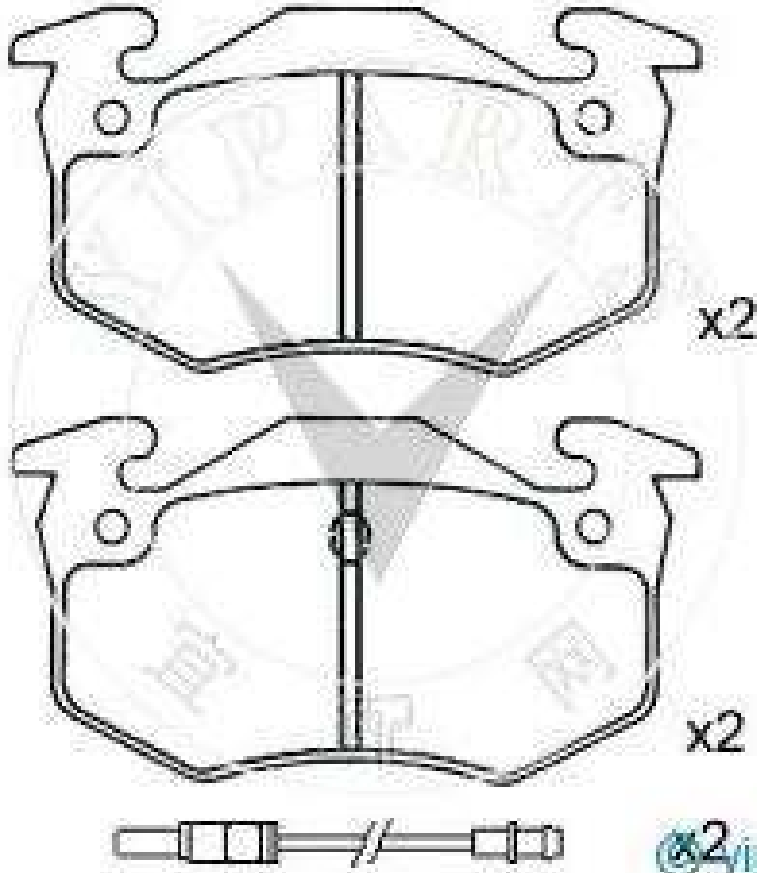
**Thickness
(mm)**

15



NOTE

2 identical;2 identical;



20315 20634

**Apply for:
Renault Safrane I**

1992/04-1997/10

SR0258

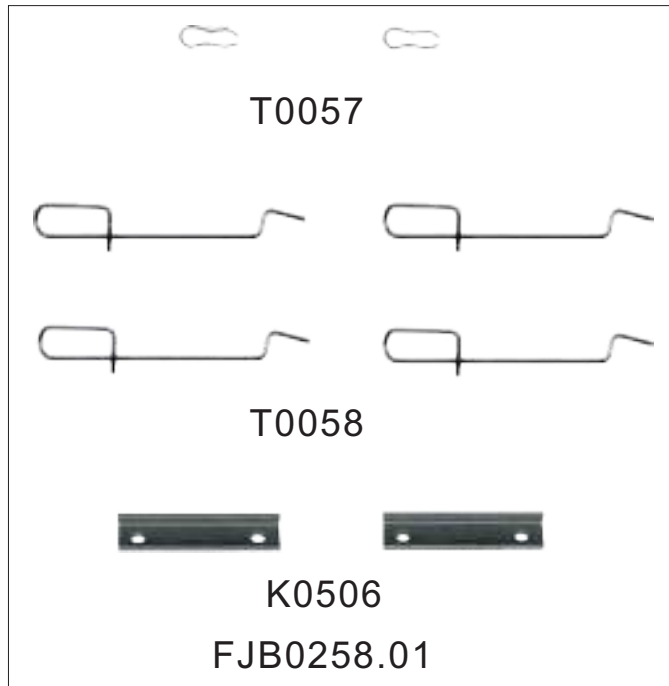
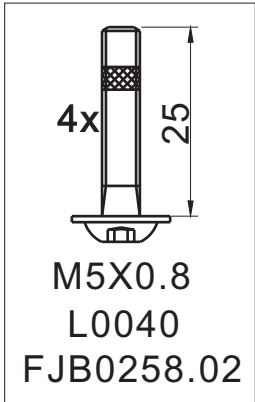
**Dimension
(mm)**

**Thickness
(mm)**



NOTE

**附件包
Accessory bag**



SR0259.01

**Dimension
(mm)**

**Thickness
(mm)**



NOTE

**2 identical; 2 identical
with spring and warn
indicator;**

156.5/155.3×72.9

20.3

无模具

2x

23801

2x

23763

Apply for:

Audi A4	Convertible	01.06-03.09
Audi A4	Saloon	11.04-06.08
Audi A4	Estate	11.04-06.08
Audi A6	Saloon	05.04-03.11
Audi A6	Estate	03.05-08.11
Audi A8	Saloon	07.03-07.10

SR0260.01

**Dimension
(mm)**

**Thickness
(mm)**

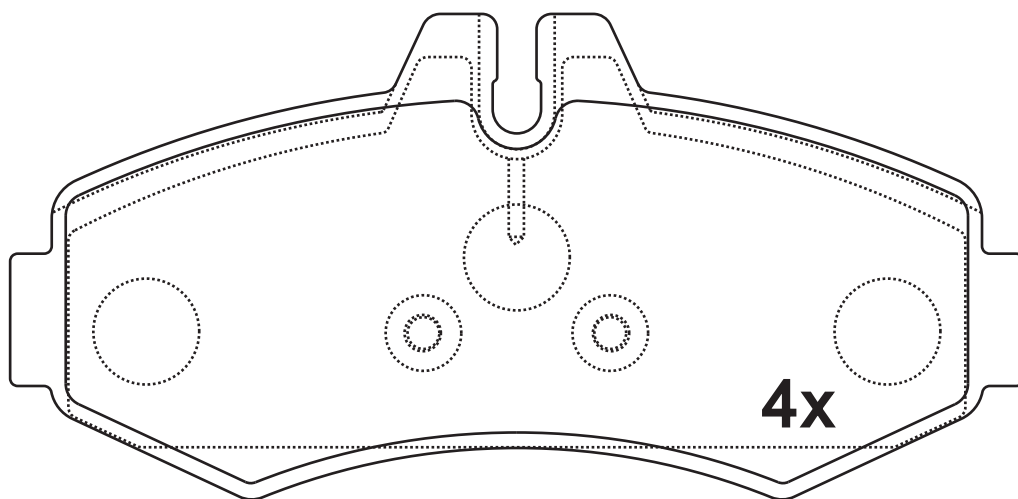


NOTE

4 identical;

134×64.2

20.9



23022

Apply for:

Mercedes V-class
Mercedes Vito
Mercedes Vito

Saloon
Box
Bus

02.96-07.03
03.97-07.03
02.96-07.03

SR0261.01

**Dimension
(mm)**

**Thickness
(mm)**

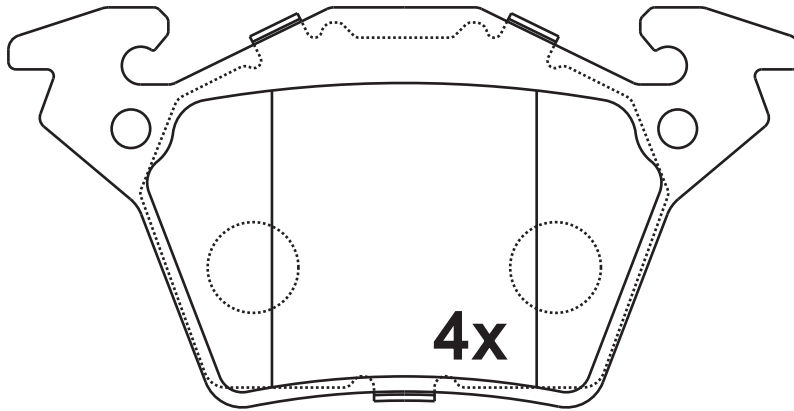


NOTE

4 identical;

104.7×52.9

17.9



23020

Apply for:

Mercedes V-class
Mercedes Vito
Mercedes Vito

Saloon
Box
Bus

02.96-07.03
03.97-07.03
02.96-07.03

SR0262.01

**Dimension
(mm)**

140.5×49.3

**Thickness
(mm)**

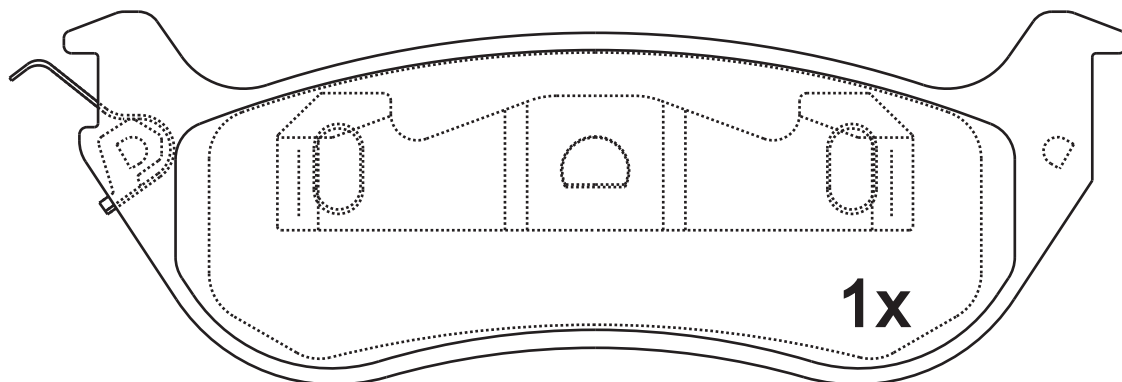
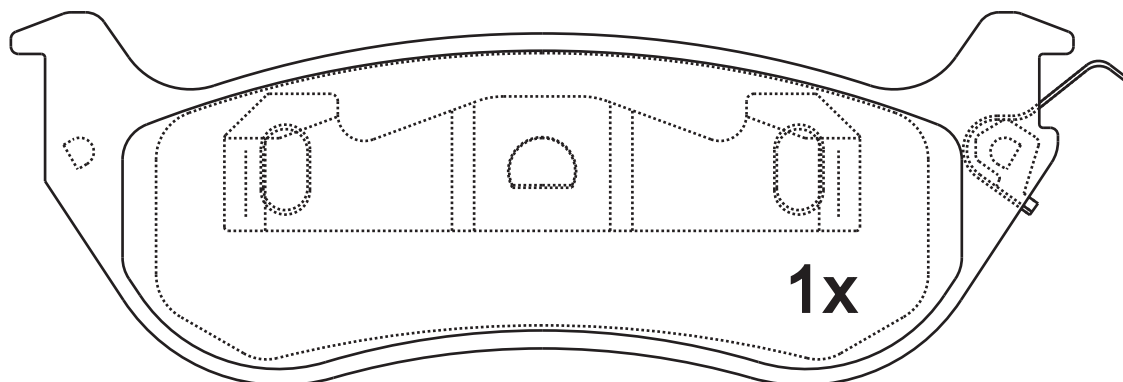
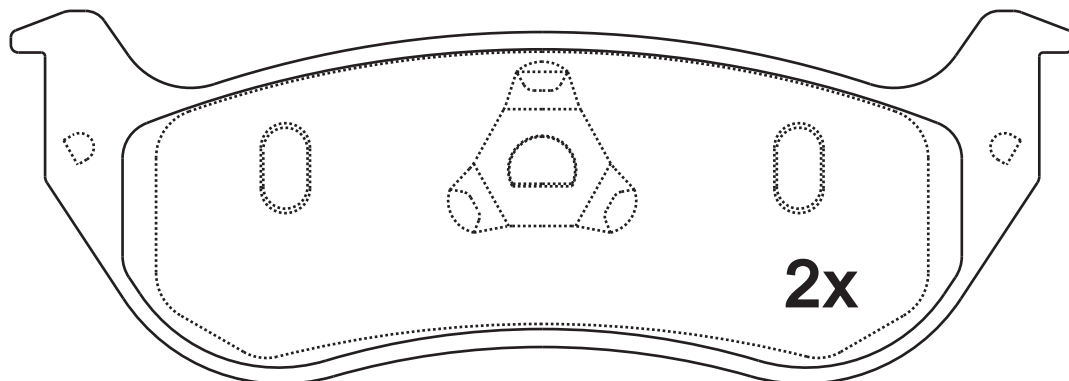
14



NOTE

2 identical with spring;
2 identical with spring,
1 with acoustic indicator
(left),1 with acoustic
indicator(right).

无模具



Apply for:

Jeep Cherokee
Jeep Wrangler

Closed off-Road
Open off-Road

09.01-01.08
11.02-04.07

SR0262.02

**Dimension
(mm)**

140.5×49.3

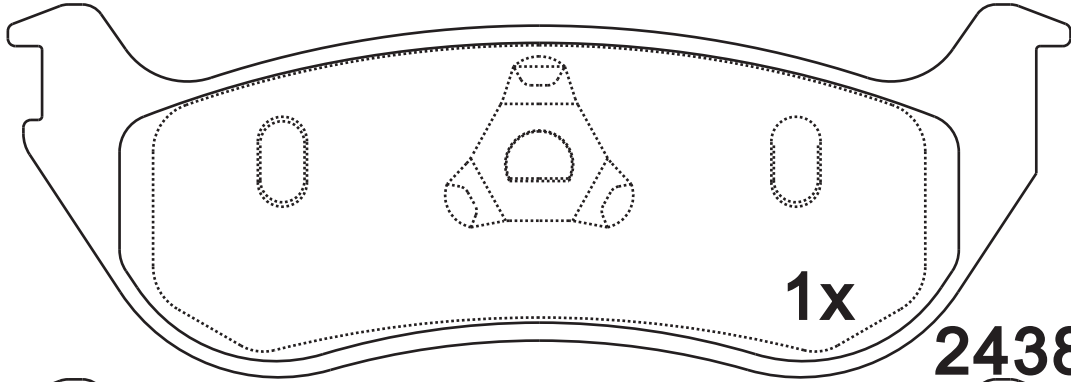
**Thickness
(mm)**

14.6

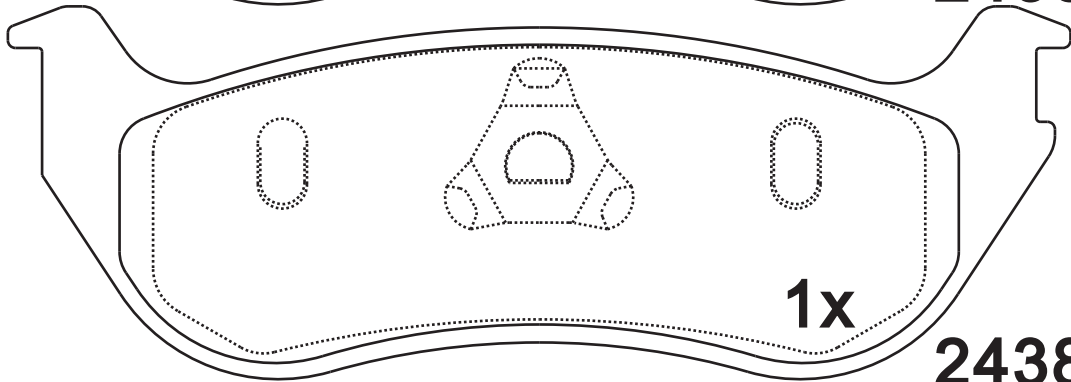


NOTE

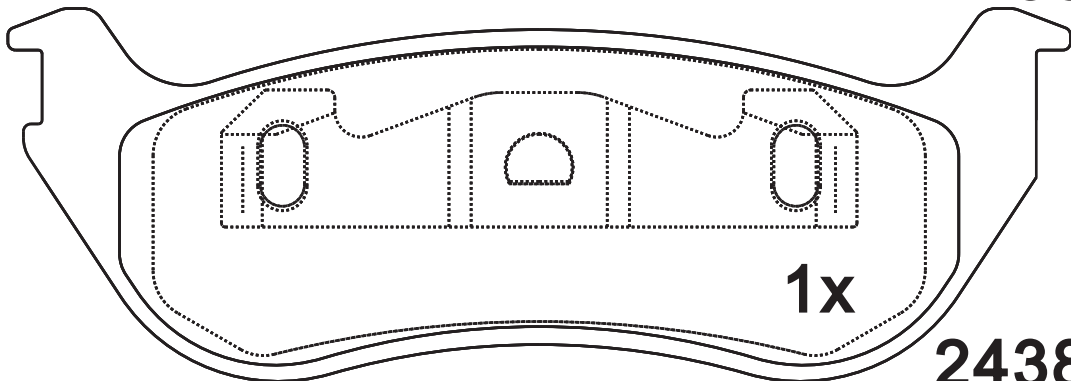
**2 identical with spring;
2 identical with spring;**



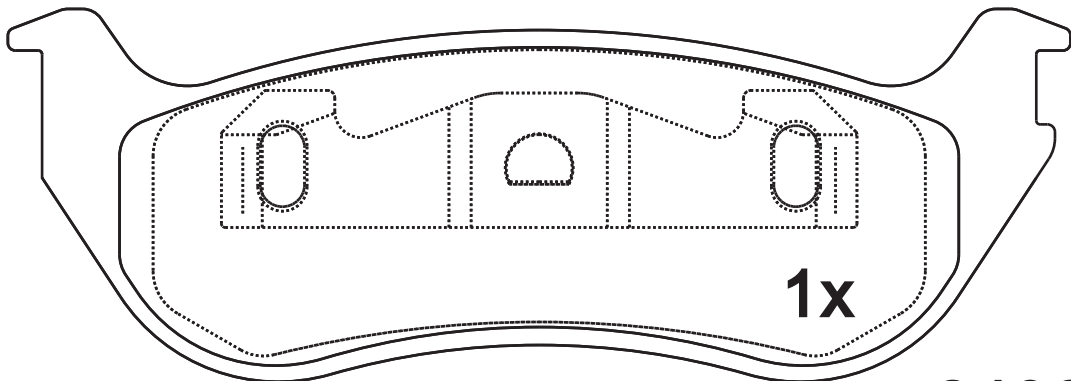
24381



24382



24383



24384

Apply for:

福特(美国) 探险家越野车(U2)

1994/09-2001/12

SR0262.03

**Dimension
(mm)**

140.5×49.3

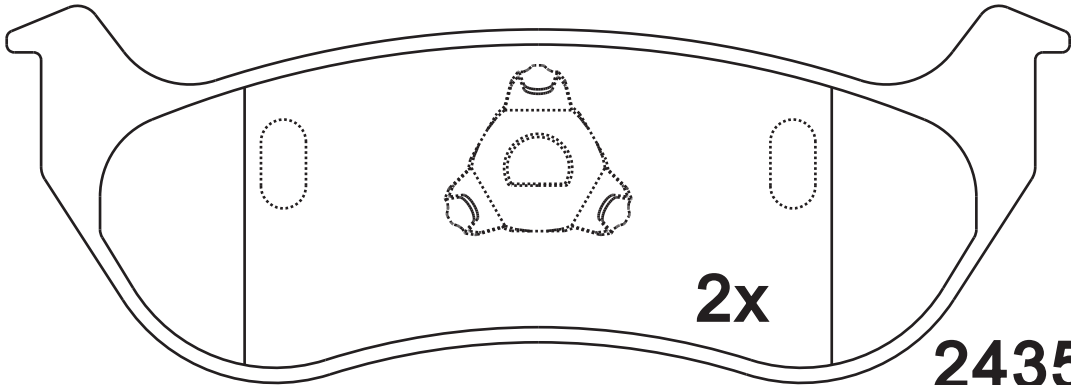
**Thickness
(mm)**

14

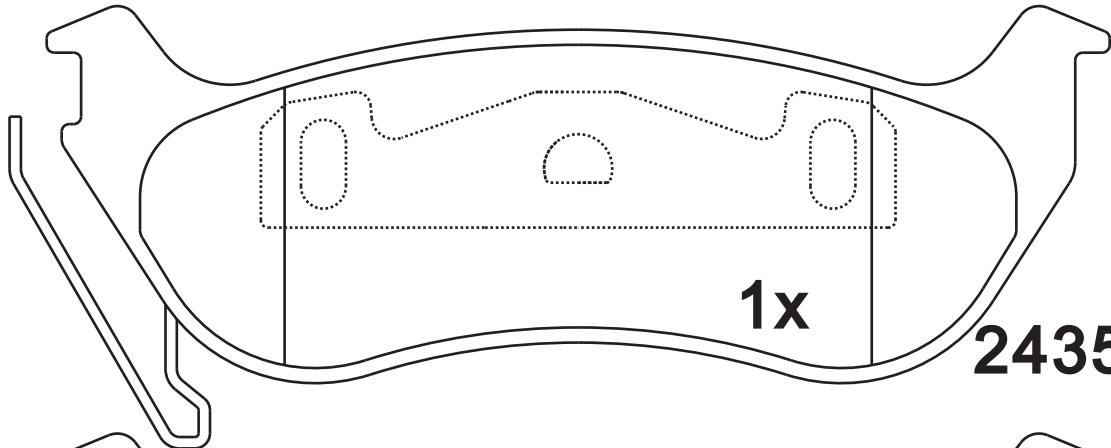


NOTE

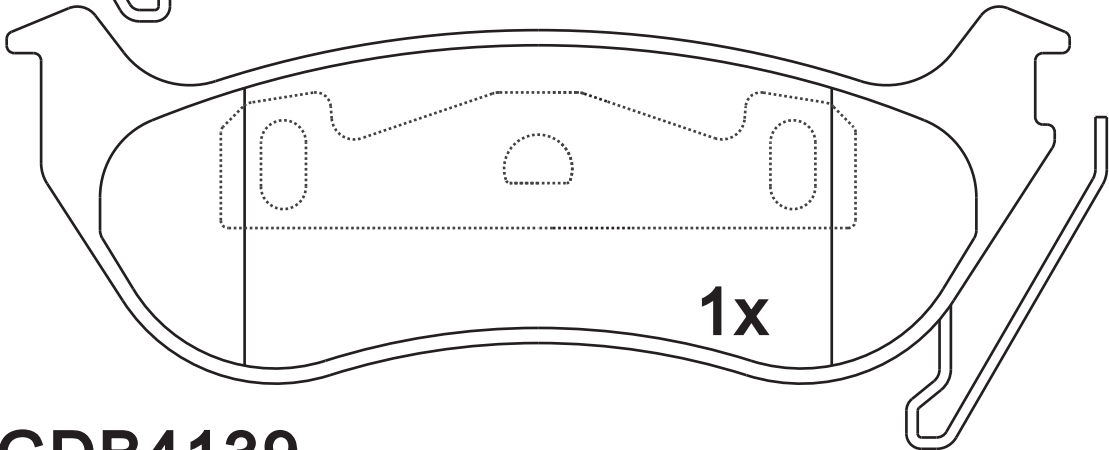
2 identical with spring;
2 identical with spring;



24355



24356



24357

GDB4139

Apply for:

Jeep Liberty
Jeep Wrangler
Jeep Wrangler Unlimited

2004-2007
2005-2006
2004

SR0262.04

**Dimension
(mm)**

140.5×49.3

**Thickness
(mm)**

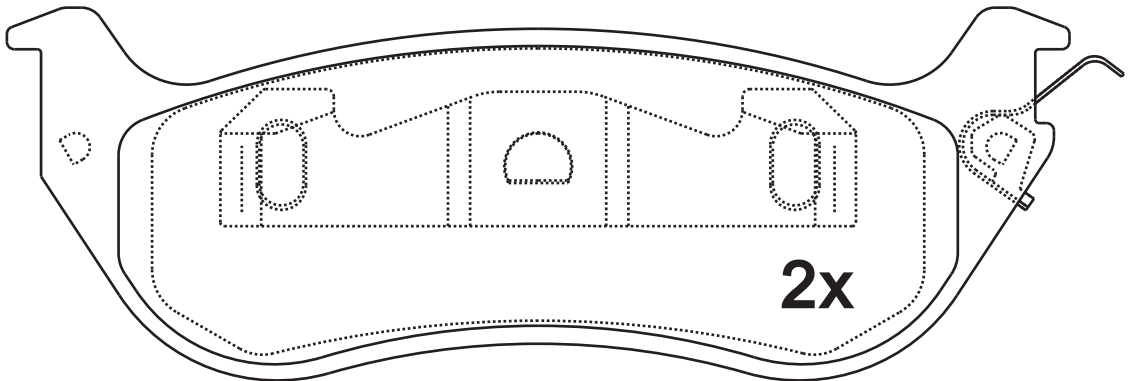
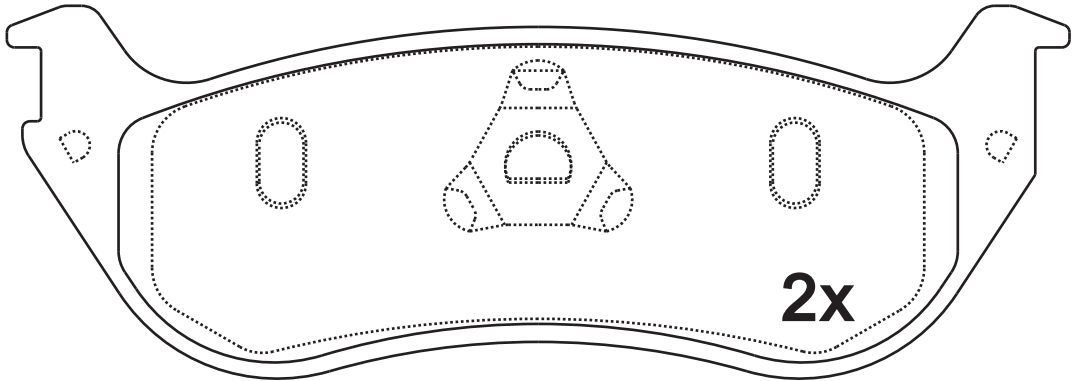
16.9



NOTE

2 identical with spring;
2 identical with spring,

无模具



D674

Apply for:

福特(美国) CROWN VICTORIA 4.6 1997-2006
水星 GRAND MARQUIS 4.6 1991-1997

SR0263.01

**Dimension
(mm)**

185.1×61.7

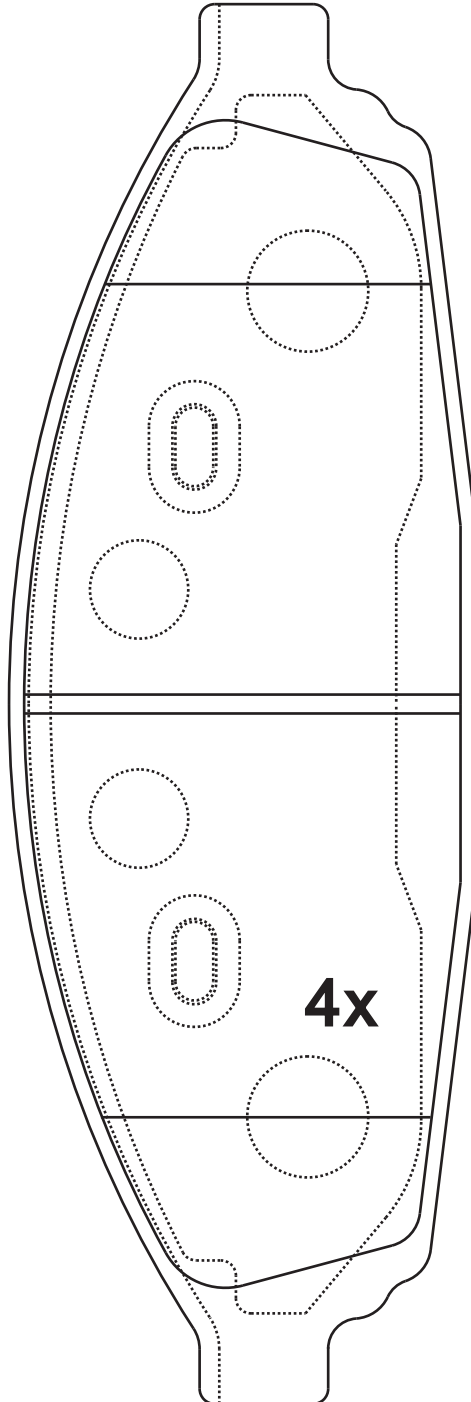
**Thickness
(mm)**

16.6



NOTE

4 identical ;



D931

4x

Apply for:

Ford

SR0264.01

**Dimension
(mm)**

123.2×51.6

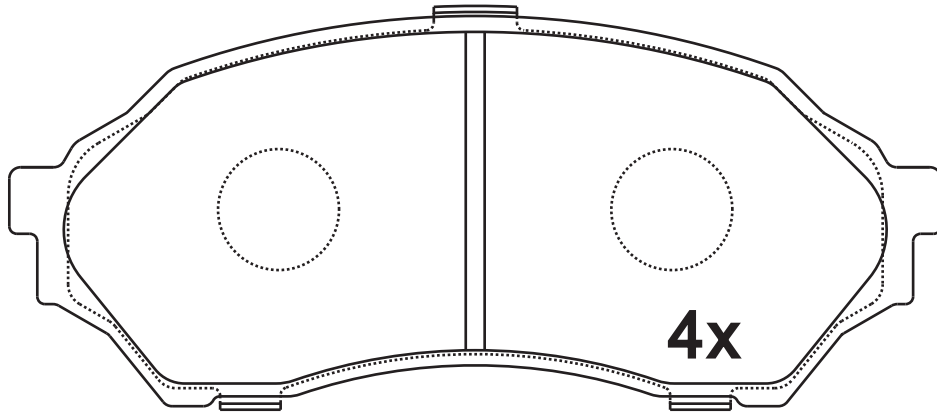
**Thickness
(mm)**

15.4



NOTE

4 identical;



23490

Apply for:

Mazda 323 S VI
Mazda 323 F VI

Saloon
Hatchback

09.98-05.04
09.98-05.04

SR0264

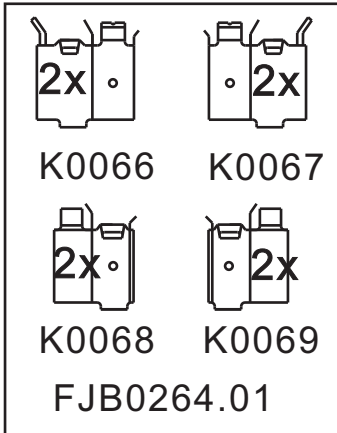
**Dimension
(mm)**

**Thickness
(mm)**



NOTE

**附件包
Accessory bag**

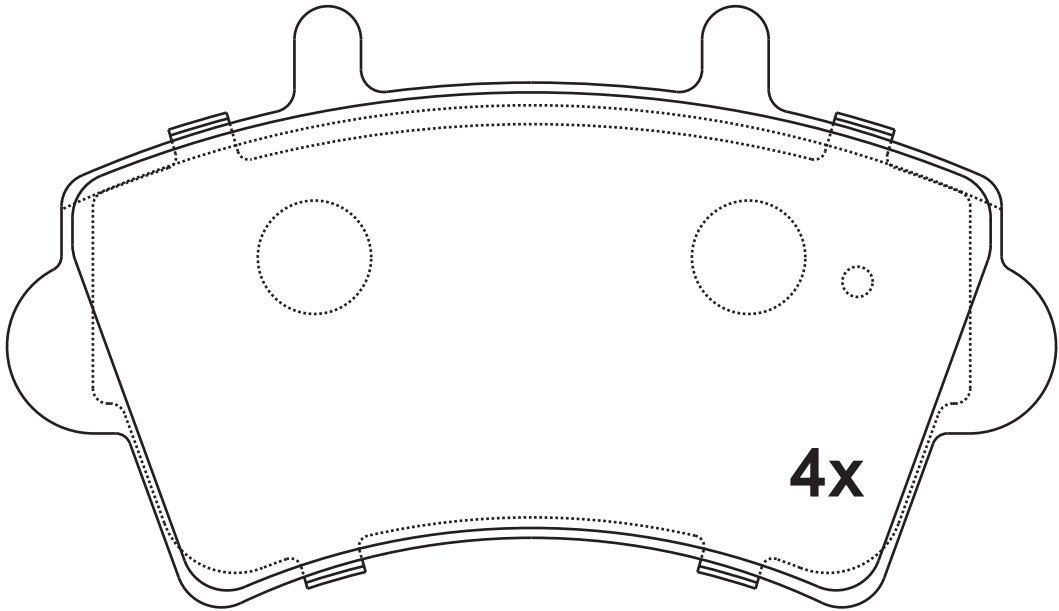


SR0265.01**Dimension
(mm)**

138.7×79.5

**Thickness
(mm)**

17.7

**NOTE****4 identical;****23613****Apply for:**

Nissan Interstar	Bus	07.02-
Nissan Interstar	Box	07.02-
Nissan Interstar	Platform	08.03-
Opel Movano	Bus	07.98-
Opel Movano	Box	01.99-
Opel Movano	Dumptruck	01.99-
Opel Movano	Platform	07.98-
Renault Master II	Bus	07.98-
Renault Master II	Box	07.98-
Renault Master II	Platform	09.00-
Renault Master III	Bus	10.03-
Renault Master III	Box	10.03-
Renault Master III	Platform	10.03-

SR0265

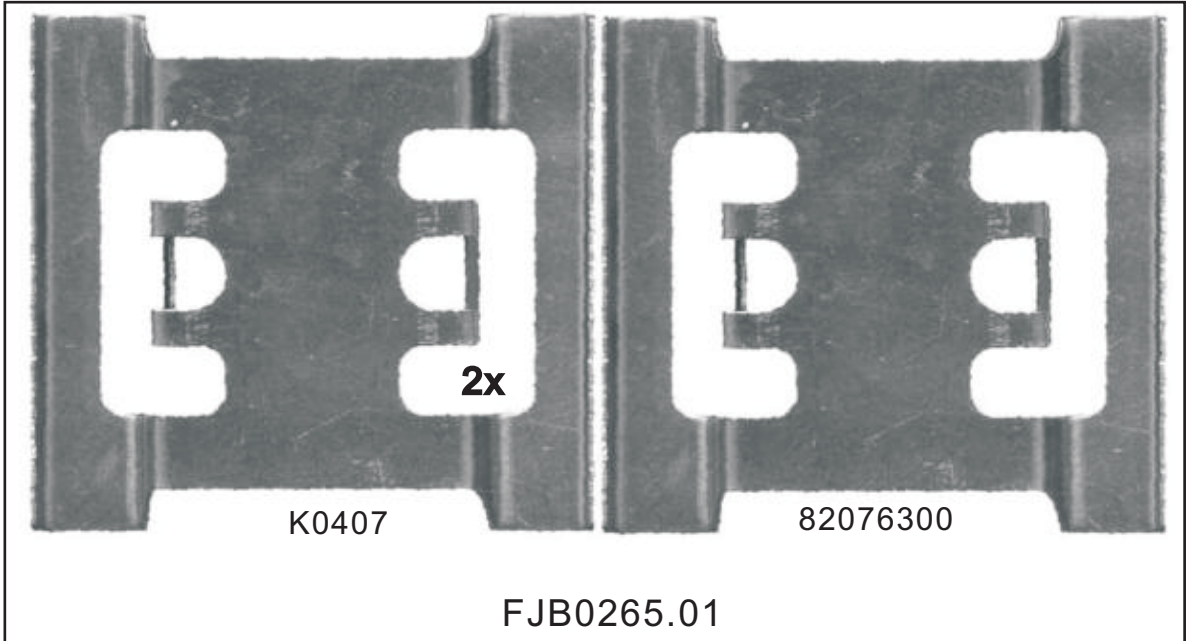
**Dimension
(mm)**

**Thickness
(mm)**



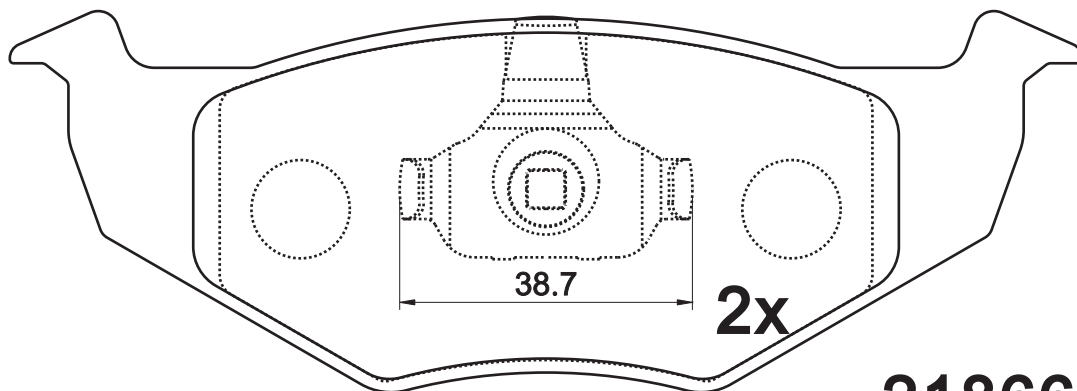
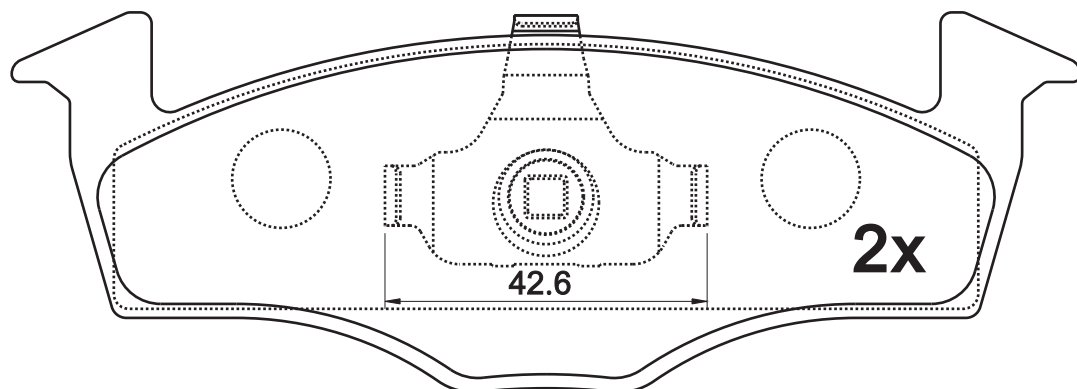
NOTE

**附件包
Accessory bag**



SR0266.01**Dimension
(mm)**141.8×50.4
141.8×50.2**Thickness
(mm)**

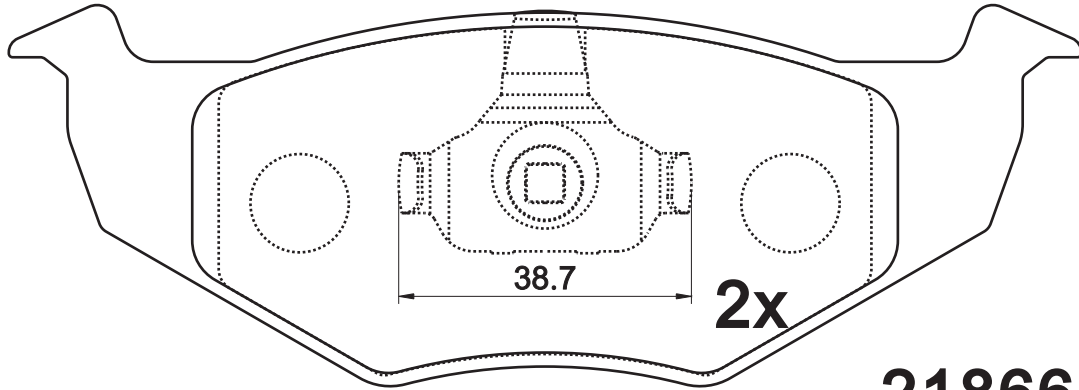
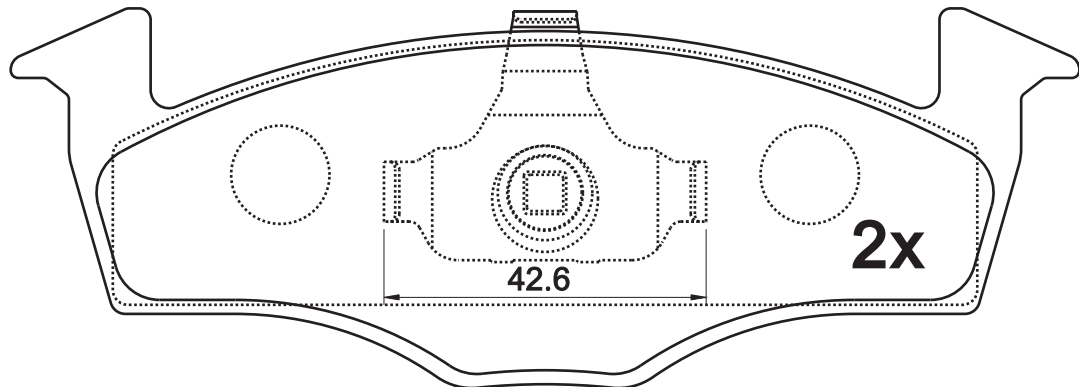
15.3

**NOTE****2 identical with spring;
2 identical with spring.****21866****21868****Apply for:**

Seat Cordoba	Saloon	02.93-06.99
Seat Toledo I	Hatchback	05.91-12.96
Seat Ibiza II	Hatchback	09.96-08.99
Volkswagan Polo	Saloon	11.95-09.01
Volkswagan Polo	Box	07.96-12.99
Volkswagan Polo	Estate	05.97-09.01
Volkswagan Vento	Saloon	11.91-09.98
Volkswagan Golf III	Hatchback	11.91-08.97
Volkswagan Golf III	Estate	07.93-04.99

SR0266.02**Dimension
(mm)**141.8×50.4
141.8×50.2**Thickness
(mm)**

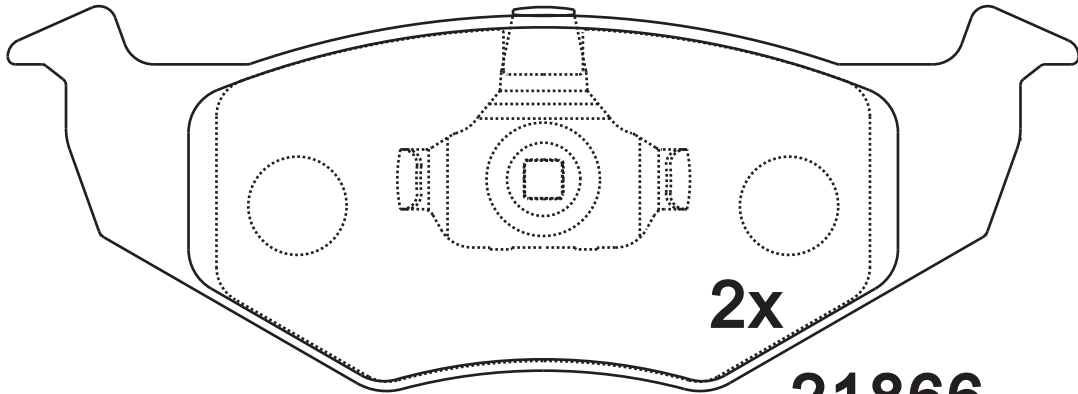
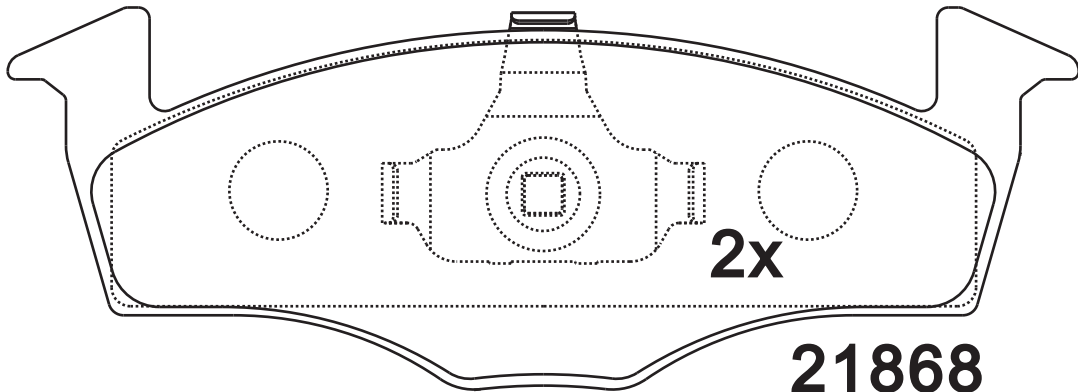
17.2

**NOTE****2 identical with spring;
2 identical with spring.****21866****21868****Apply for:**

Seat Cordoba	Saloon	02.93-06.99
Seat Toledo I	Hatchback	05.91-12.96
Seat Ibiza II	Hatchback	09.96-08.99
Volkswagan Polo	Saloon	11.95-09.01
Volkswagan Polo	Box	07.96-12.99
Volkswagan Polo	Estate	05.97-09.01
Volkswagan Vento	Saloon	11.91-09.98
Volkswagan Golf III	Hatchback	11.91-08.97
Volkswagan Golf III	Estate	07.93-04.99

SR0266.03**Dimension
(mm)**141.8×50.4
141.8×50.2**Thickness
(mm)**

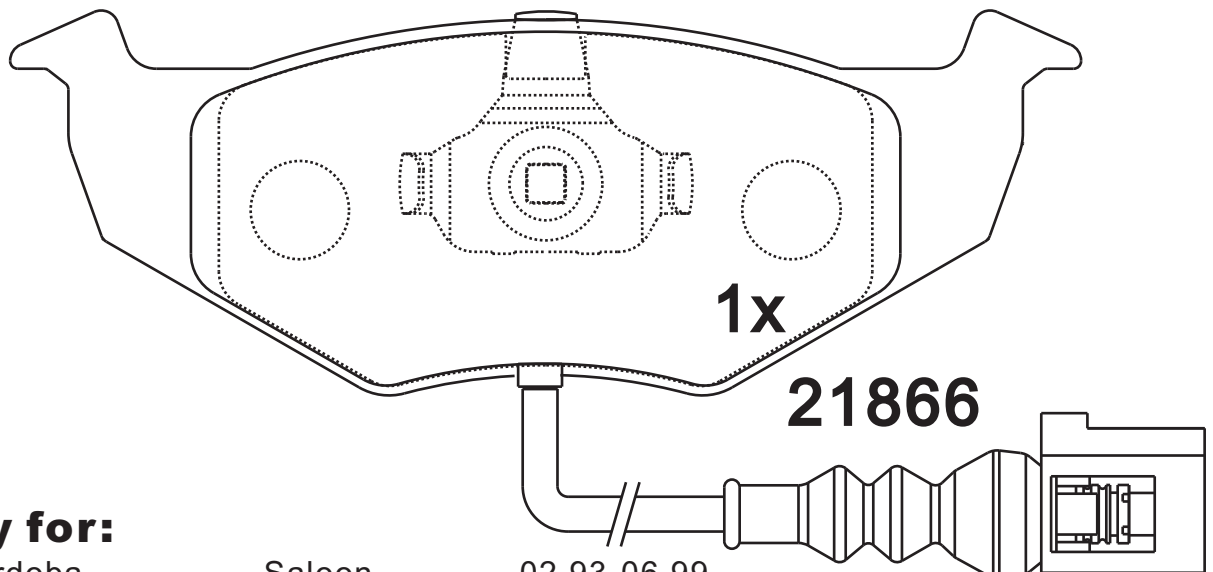
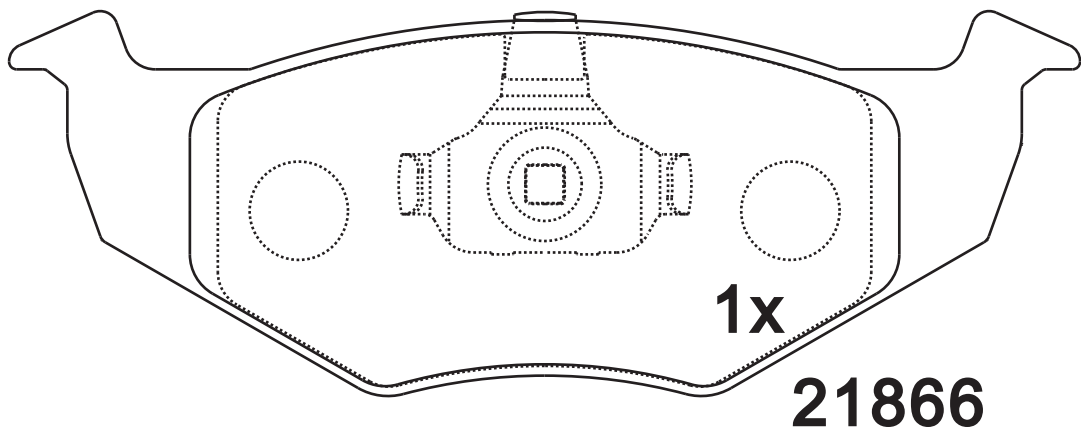
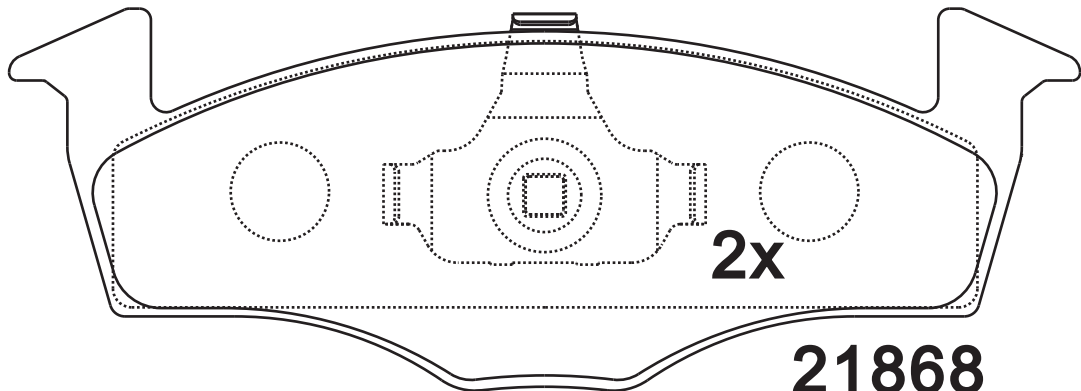
19.7

**NOTE****2 identical with spring;
2 identical with spring.****21866****21868****Apply for:**

Seat Cordoba	Saloon	02.93-06.99
Seat Toledo I	Hatchback	05.91-12.96
Seat Ibiza II	Hatchback	09.96-08.99
Volkswagan Polo	Saloon	11.95-09.01
Volkswagan Polo	Box	07.96-12.99
Volkswagan Polo	Estate	05.97-09.01
Volkswagan Vento	Saloon	11.91-09.98
Volkswagan Golf III	Hatchback	11.91-08.97
Volkswagan Golf III	Estate	07.93-04.99

SR0266.04**Dimension
(mm)**141.8×50.4
141.8×50.2**Thickness
(mm)**

17.2

**NOTE**2 identical with spring;
2 identical with spring.**Apply for:**

Seat Cordoba	Saloon	02.93-06.99
Seat Toledo I	Hatchback	05.91-12.96
Seat Ibiza II	Hatchback	09.96-08.99
Volkswagan Polo	Saloon	11.95-09.01
Volkswagan Polo	Box	07.96-12.99
Volkswagan Polo	Estate	05.97-09.01
Volkswagan Vento	Saloon	11.91-09.98
Volkswagan Golf III	Hatchback	11.91-08.97
Volkswagan Golf III	Estate	07.93-04.99

SR0266.05

**Dimension
(mm)**

141.5×48.2/50

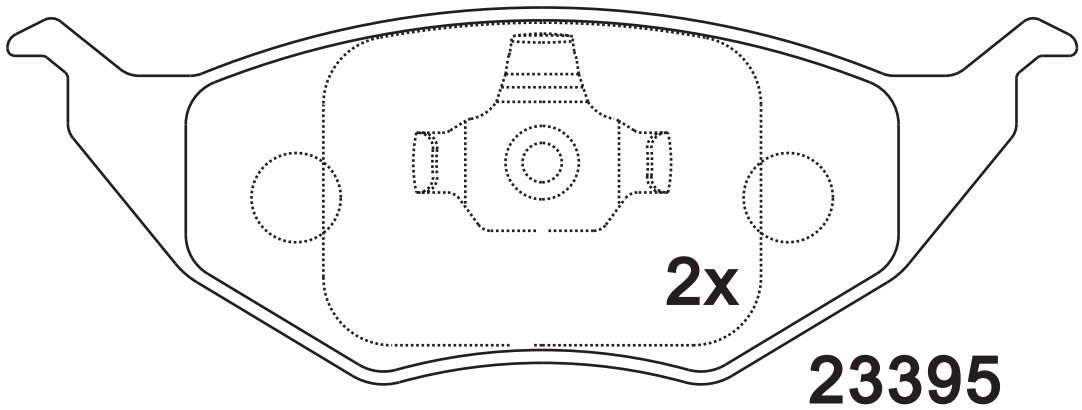
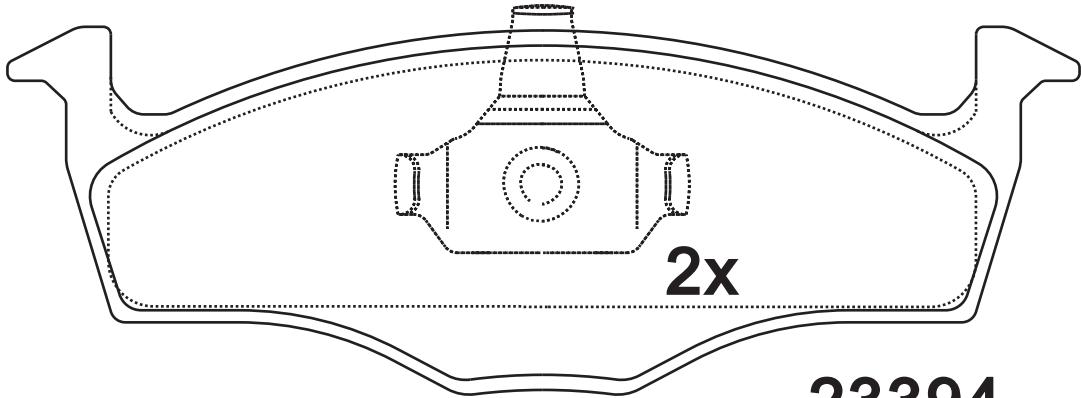
**Thickness
(mm)**

14.5



NOTE

2 identical;2 identical;



Apply for:
Volkswagen Lupo

1998/09-2005/07

SR0266.06

**Dimension
(mm)**

141.6×48/49.9

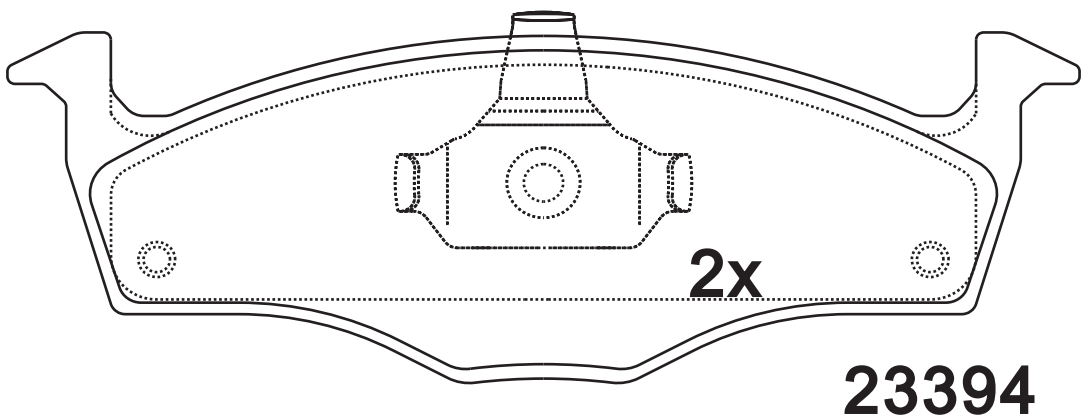
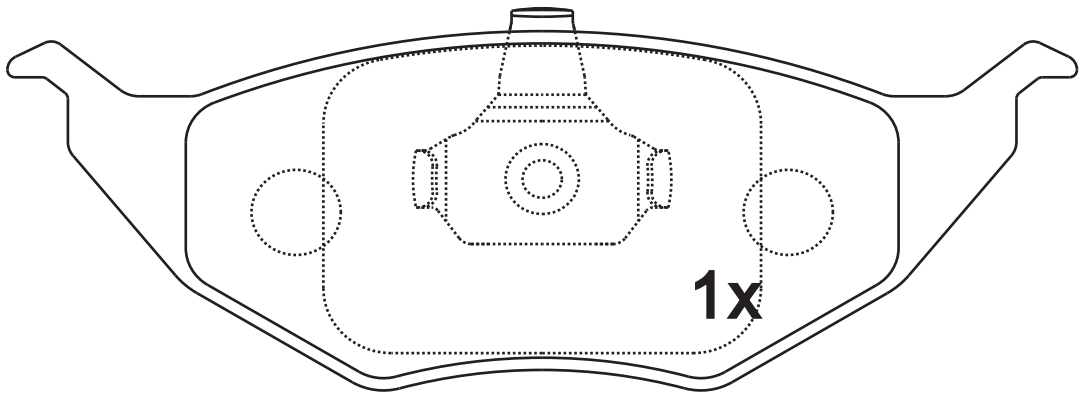
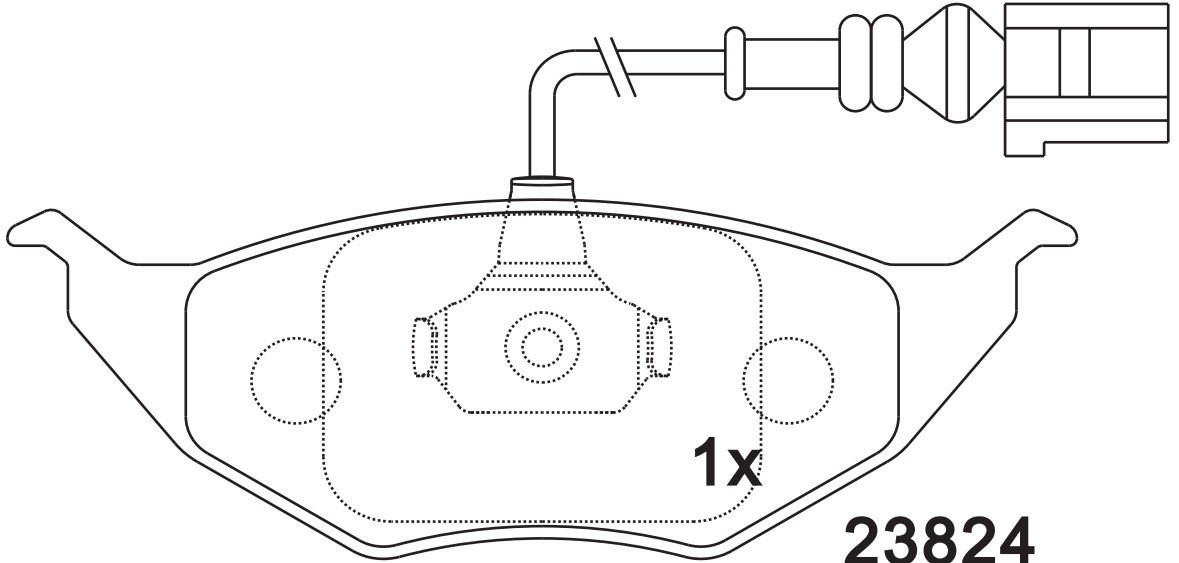
**Thickness
(mm)**

14.5



NOTE

2 identical; 2 identical, 1 with spring.



Apply for:

Audi A2

2000/02-2005/08

SR0267.01

**Dimension
(mm)**

**Thickness
(mm)**

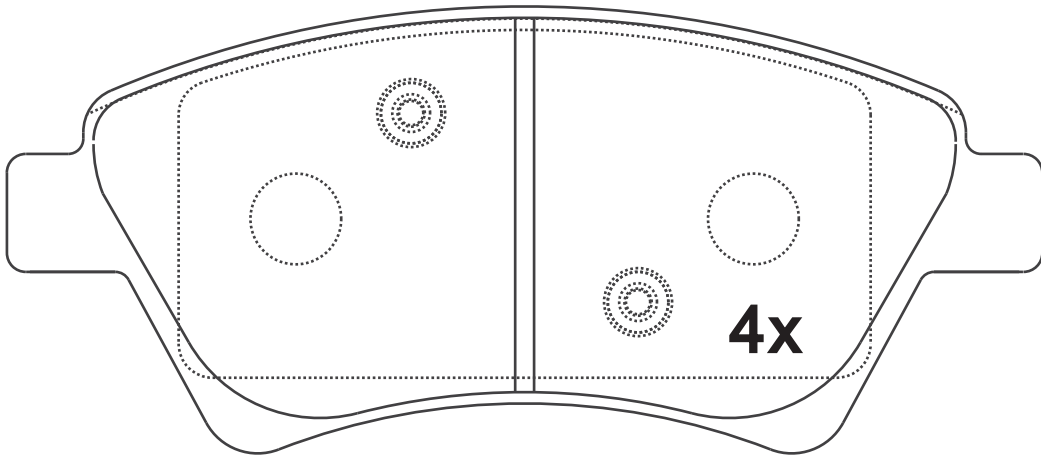


NOTE

4 identical;

136.8×59.5

18.2



23930

Apply for:

Renault Kangoo	MPV	10.01-
Renault Kangoo	Box	10.01-
Renault Megane II	Hatchback	11.02-
Renault Megane II	Saloon	09.03-
Renault Megane II	Convertible	09.03-
Renault Scenic II	MPV	06.03-
Renault Grand Scenic II	MPV	04.04-

SR0267.02

**Dimension
(mm)**

**Thickness
(mm)**

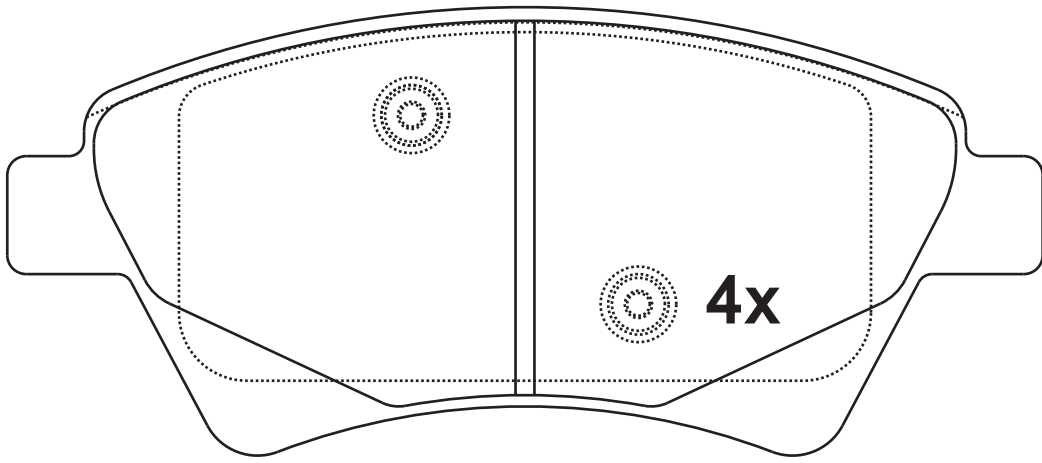


NOTE

4 identical;

136.9×59.3

18.2



23930

Apply for:

Renault Kangoo	MPV	10.01-
Renault Kangoo	Box	10.01-
Renault Megane II	Hatchback	11.02-
Renault Megane II	Saloon	09.03-
Renault Megane II	Convertible	09.03-
Renault Scenic II	MPV	06.03-
Renault Grand Scenic II	MPV	04.04-

SR0267

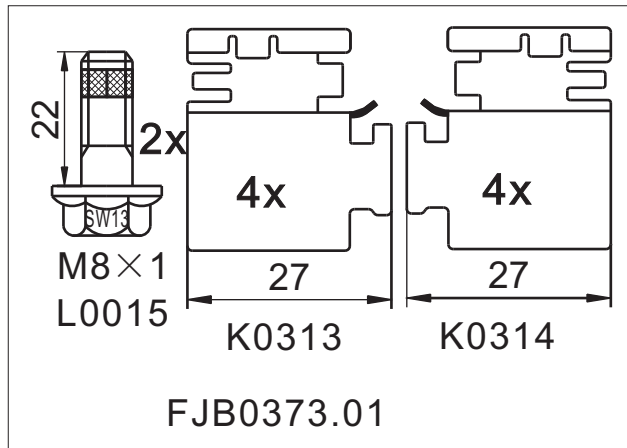
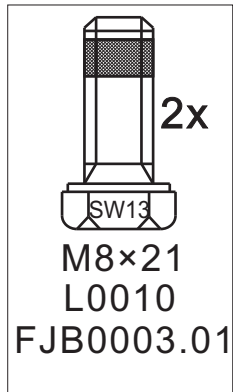
**Dimension
(mm)**

**Thickness
(mm)**



NOTE

**附件包
Accessory bag**

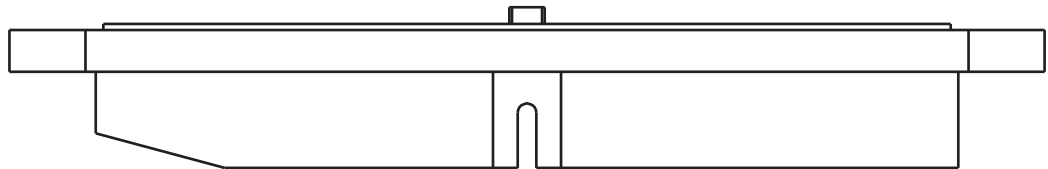
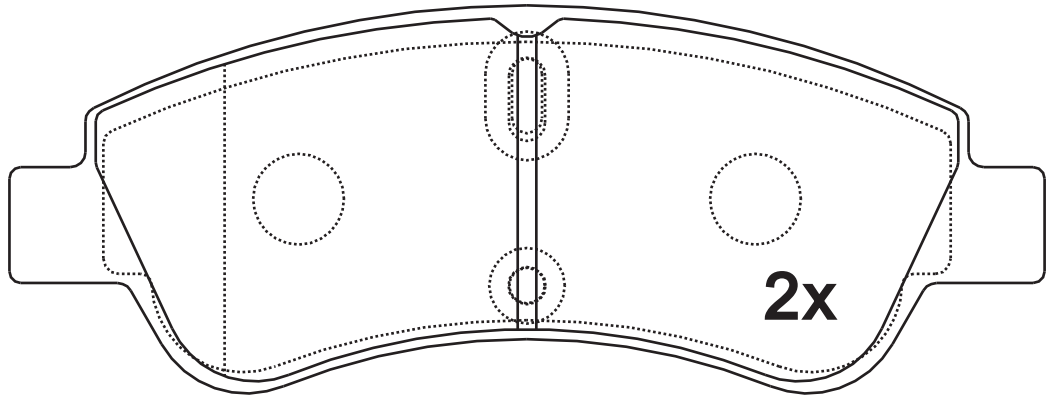
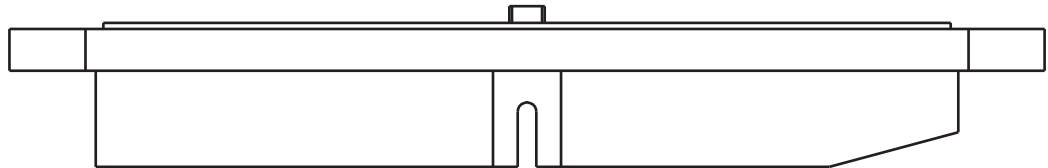
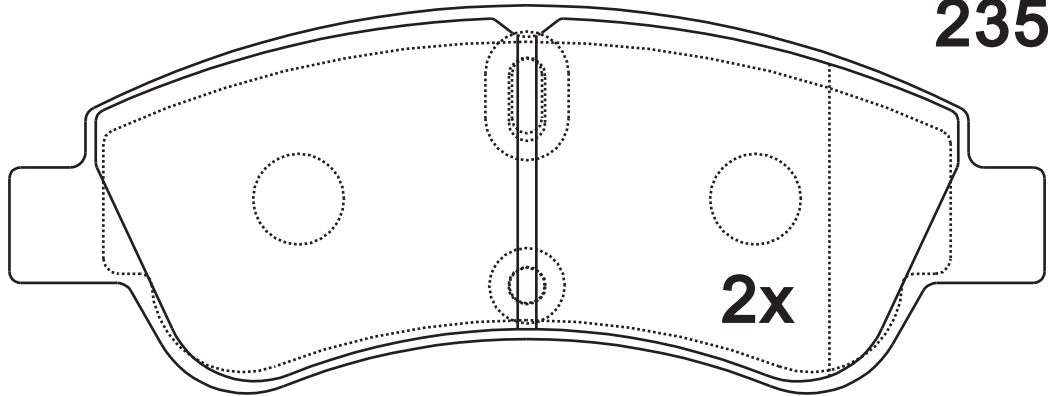


SR0268.01**Dimension
(mm)**

137×52.2

**Thickness
(mm)**

19

**NOTE****4 identical;****23599****Apply for:**

Citroen C2	Hatchback	09.03-
Citroen C3 I	Hatchback	02.02-
Citroen C4 I	Hatchback	11.04-
Citroen C4	Coupe	11.04-
Citroen Xsara Picasso	MPV	12.99-
Citroen Berlingo	MPV	07.96-
Citroen Berlingo	Box	07.96-
Peugeot Partner	MPV	06.96-
Peugeot 206	Hatchback	06.99-
Peugeot 207	Hatchback	02.06-
Peugeot 1007	Hatchback	04.05-

SR0269.01

**Dimension
(mm)**

63.7×57.1

**Thickness
(mm)**

16.9

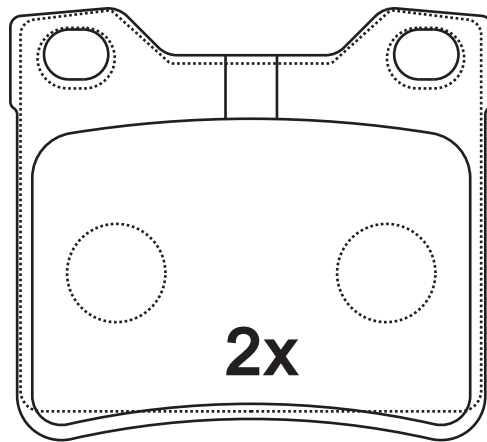
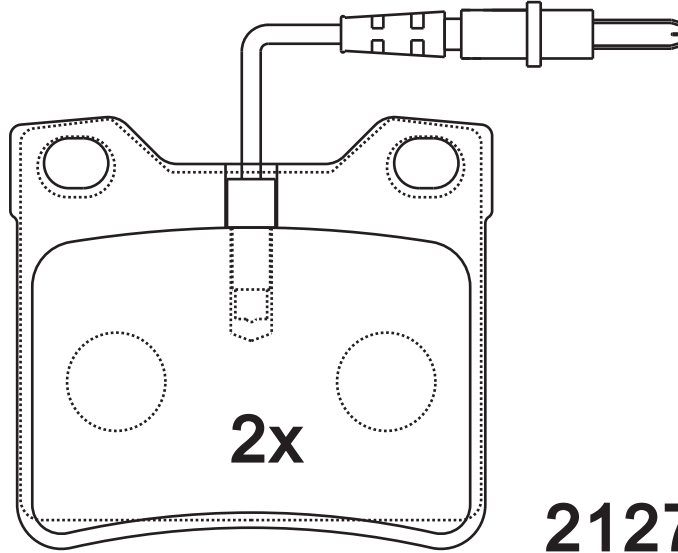


NOTE

4 identical, 2 with wear indicator.



X00328A 总长123mm



Apply for:

Mercedes V-class	Saloon	02.96-07.03
Mercedes Vito	Box	03.97-07.03
Mercedes Vito	Bus	02.96-07.03

SR0269.02

**Dimension
(mm)**

**Thickness
(mm)**

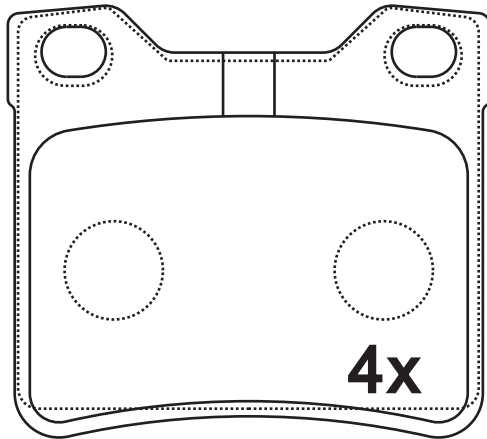


NOTE

4 identical;

63.7×57.1

16.4



21278

Apply for:

Mercedes V-class	Saloon	02.96-07.03
Mercedes Vito	Box	03.97-07.03
Mercedes Vito	Bus	02.96-07.03

SR0269.03

**Dimension
(mm)**

63.7×57.4

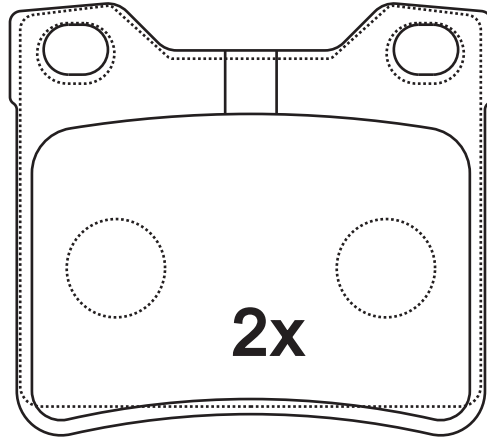
**Thickness
(mm)**

16.4

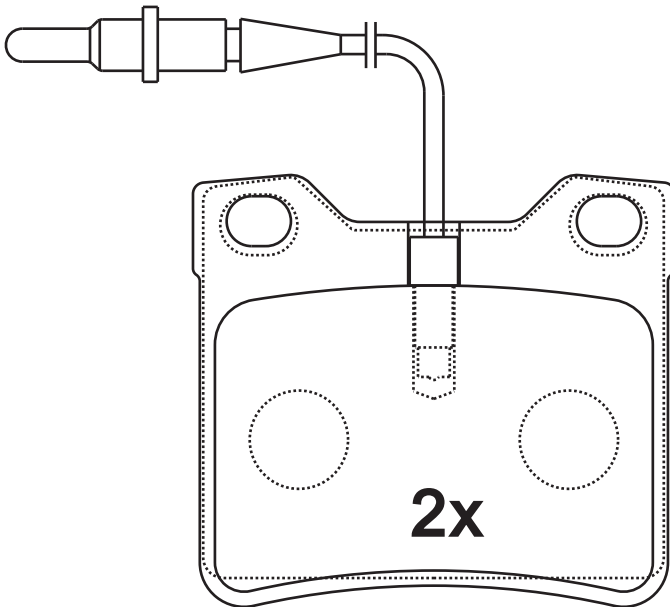


NOTE

4 identical;



21278



21279

Apply for:

Mercedes V-class
Mercedes Vito
Mercedes Vito

Saloon
Box
Bus

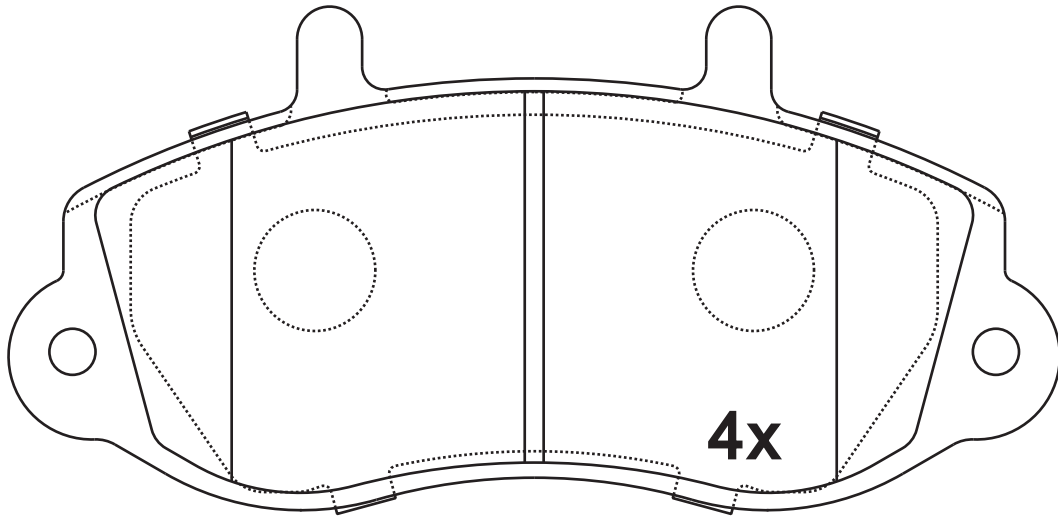
02.96-07.03
03.97-07.03
02.96-07.03

SR0270.01**Dimension
(mm)**

139×66.6

**Thickness
(mm)**

18

**NOTE****4 identical;****23302****Apply for:**

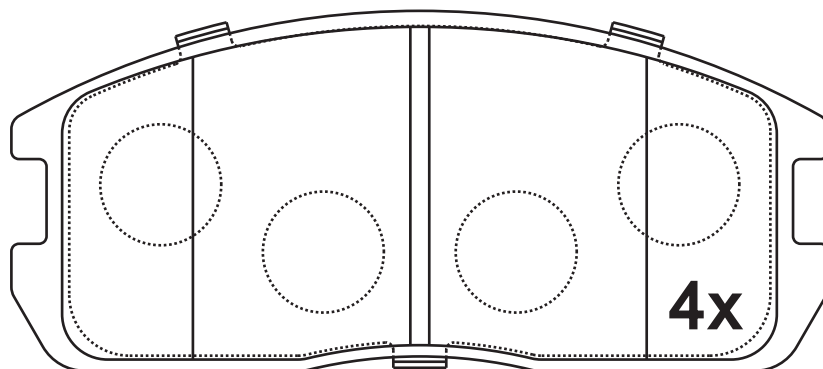
Opel Movano	Box	01.99-
Opel Movano	Combi	07.98-
Opel Movano	Dumptruck	01.99-
Opel Movano	Platform	07.98-
Renault Master II	Bus	03.98-
Renault Master II	Platform	07.98-
Renault Master II	Van	07.98-
Vauhall Movano Mk I	Platform	10.98-
Vauhall Movano Mk I	Combi	10.98-
Vauhall Movano Mk I	Van	10.98-

SR0271.01**Dimension
(mm)**

109×47.6

**Thickness
(mm)**

15

**NOTE****4 identical;****21126****Apply for:**

Mitsubishi	Colt Mk II	Hatchback	10.82-04.88
Mitsubishi	Colt Mk III	Hatchback	10.86-05.92
Mitsubishi	Lancer Mk III	Saloon	11.83-06.90
Mitsubishi	Lancer Mk III	Estate	09.85-06.92
Mitsubishi	Lancer Mk IV	Hatchback	04.88-05.94
Mitsubishi	Lancer Mk IV	Saloon	04.88-09.92

SR0272.01

**Dimension
(mm)**

**Thickness
(mm)**

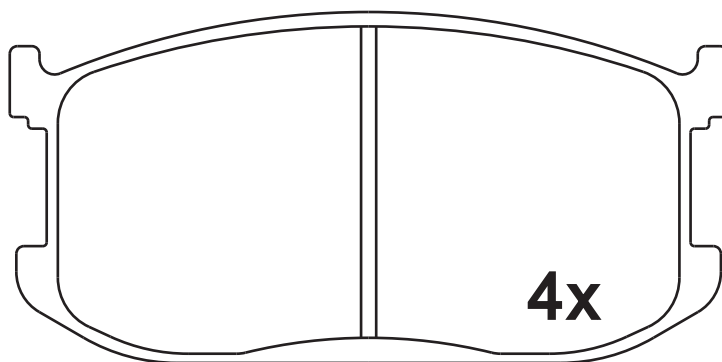


NOTE

4 identical;

94.9×46.4

14.3



20760

Apply for:

Mazda 323 Mk II

Saloon

10.80-10.89

Mazda 323 Mk II

Hatchback

06.80-10.89

SR0273.01

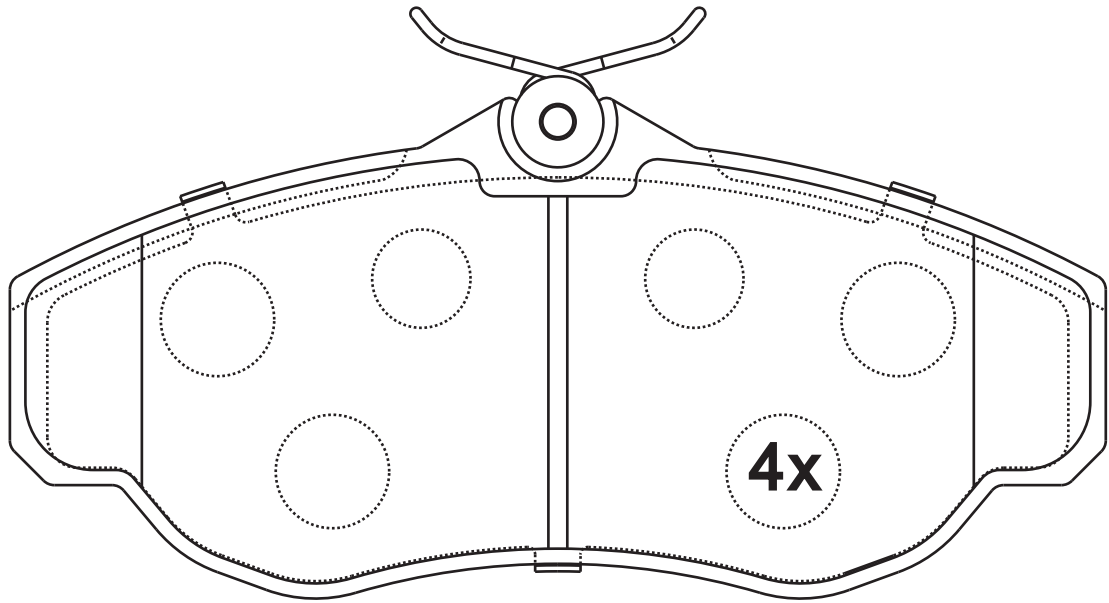
**Dimension
(mm)**

**Thickness
(mm)**



NOTE

4 identical;



23452

Apply for:

Land Rover Discovery II	Closed off-Road	11.98-06.04
Land Rover Range Rover II	Closed off-Road	07.94-03.02

SR0273

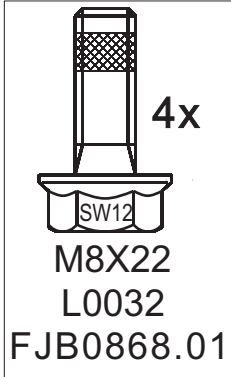
**Dimension
(mm)**

**Thickness
(mm)**



NOTE

**附件包
Accessory bag**



SR0274.01

**Dimension
(mm)**

147.2×54.2

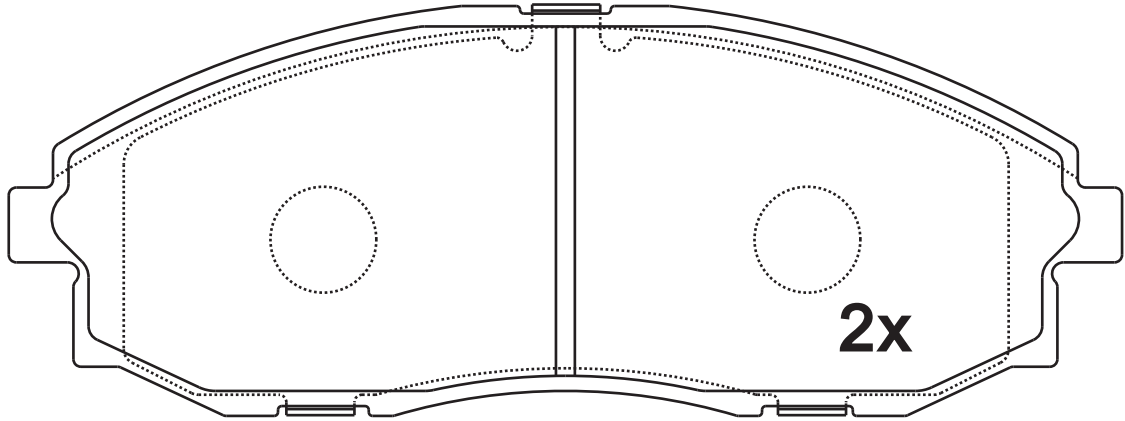
**Thickness
(mm)**

17.6

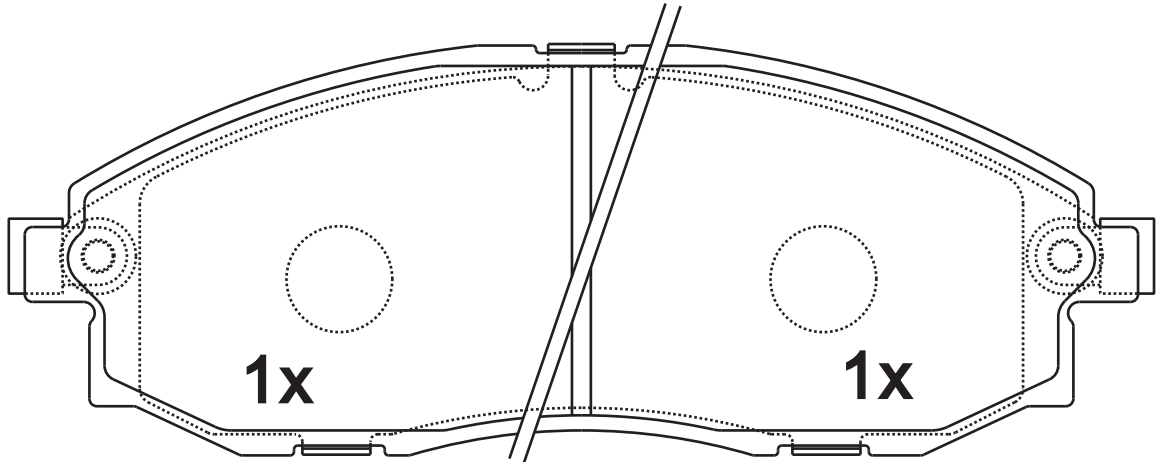


NOTE

4 identical, 1 with
acoustic indicator (left),
1 with acoustic indicator
(right).



23536



23537

23538

Apply for:

Hyundai H-1
Hyundai Starex

Box
MPV

03.00-
06.97-

SR0274

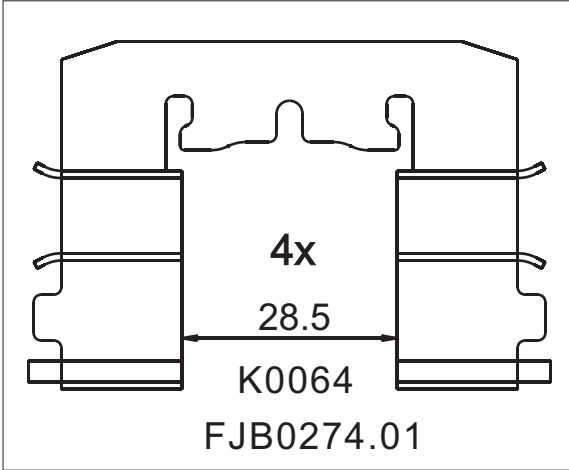
**Dimension
(mm)**

**Thickness
(mm)**



NOTE

**附件包
Accessory bag**

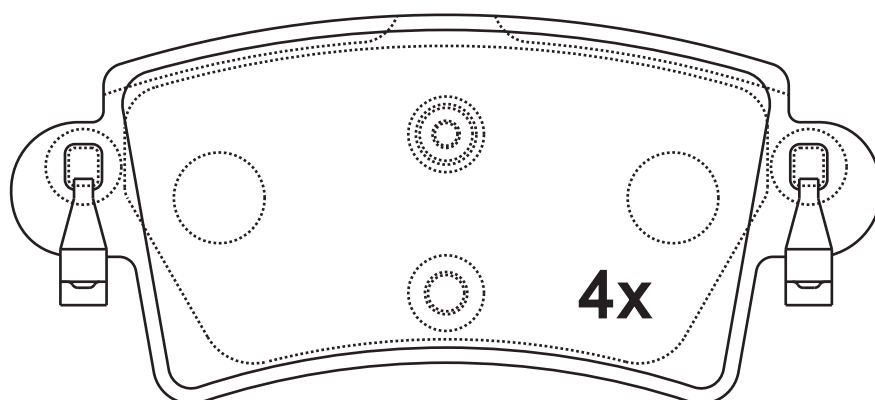


SR0275.01**Dimension
(mm)**

115.6×51.4

**Thickness
(mm)**

16.8

**NOTE****4 identical;****23669****Apply for:**

Nissan Interstar	Bus	07.02-
Nissan Interstar	Box	07.02-
Nissan Interstar	Platform	08.03-
Opel Movano	Bus	07.98-
Opel Movano	Box	01.99-
Opel Movano	Dumptruck	01.99-
Opel Movano	Platform	07.98-
Renault Master II	Bus	07.98-
Renault Master II	Box	07.98-
Renault Master II	Platform	07.98-
Renault Master III	Bus	10.03-
Renault Master III	Box	10.03-
Renault Master III	Platform	10.03-

SR0275

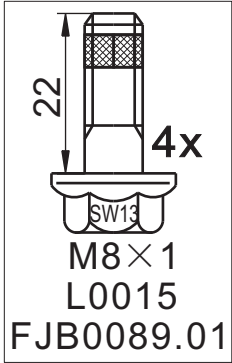
**Dimension
(mm)**

**Thickness
(mm)**



NOTE

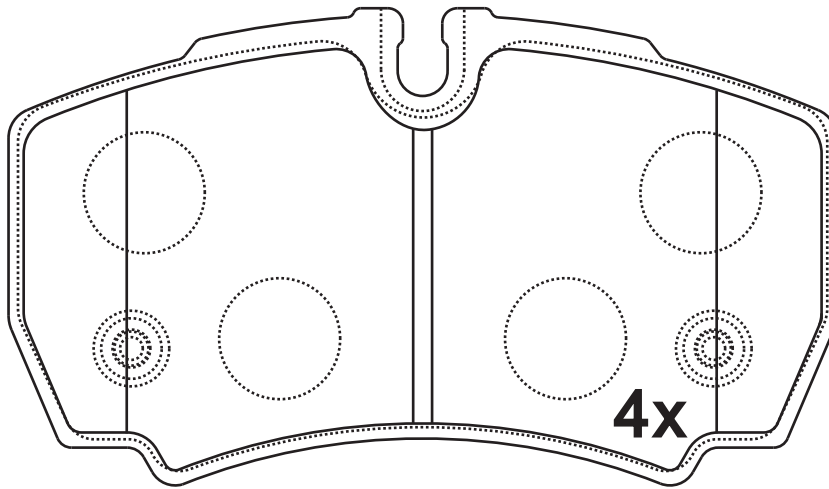
**附件包
Accessory bag**



SR0276.01**Dimension
(mm)****Thickness
(mm)****NOTE****4 identical;**

109.5×63.1

20.3

**29123****Apply for:**

Iveco Daily	Box	03.14-
Iveco Daily III	Box	05.99-
Iveco Daily III	Platform	05.99-
Iveco Daily IV	Box	05.06-
Iveco Daily IV	Bus	05.06-
Iveco Daily IV	Dumptruck	05.06-
Iveco Daily IV	Platform	05.06-
Iveco Daily	Platform	03.04-
Iveco Daily V	Box	09.11-
Iveco Daily V	Dumptruck	09.11-
Iveco Daily V	Platform	09.11-

SR0276

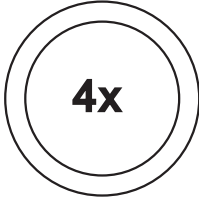
**Dimension
(mm)**

**Thickness
(mm)**

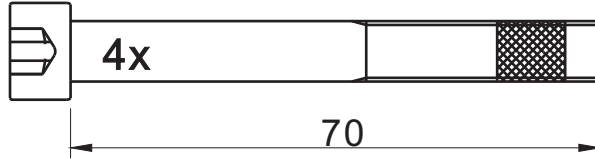


NOTE

附件包
Accessory bag



XJ003



M8X1.25X70

L0019

FJB0002.02



FJB1X0386A

SR0277.01

**Dimension
(mm)**

141.5×50.3

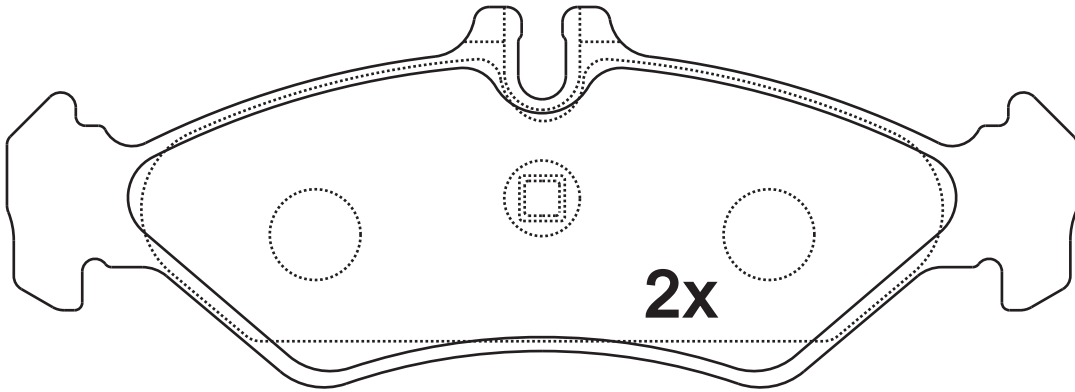
**Thickness
(mm)**

17.3

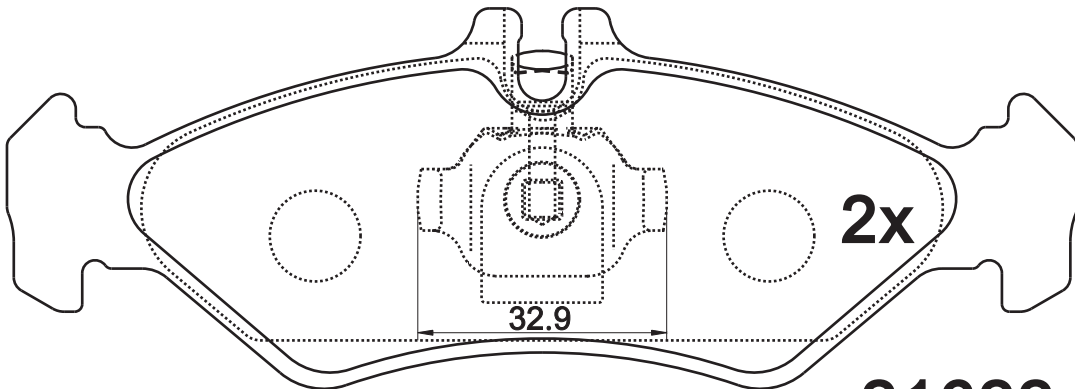


NOTE

4 identical, 2 with spring.



21621



21622

Apply for:

Mercedes Sprinter	Box	01.95-05.06
Mercedes Sprinter	Bus	01.95-05.06
Volkswagan LT28 II	Box	04.96-07.06
Volkswagan LT28 II	Bus	04.96-07.06

SR0277

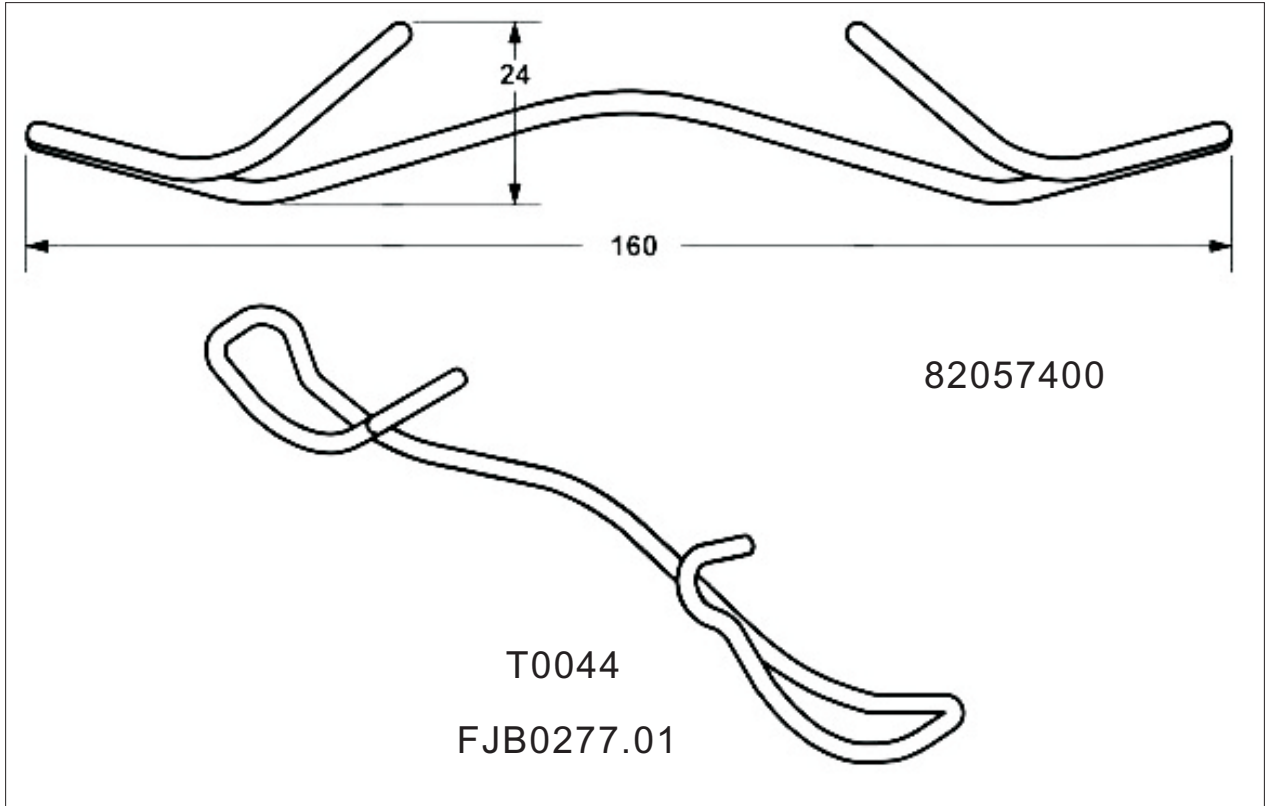
**Dimension
(mm)**

**Thickness
(mm)**



NOTE

附件包
Accessory kit



SR0278.01

**Dimension
(mm)**

**Thickness
(mm)**

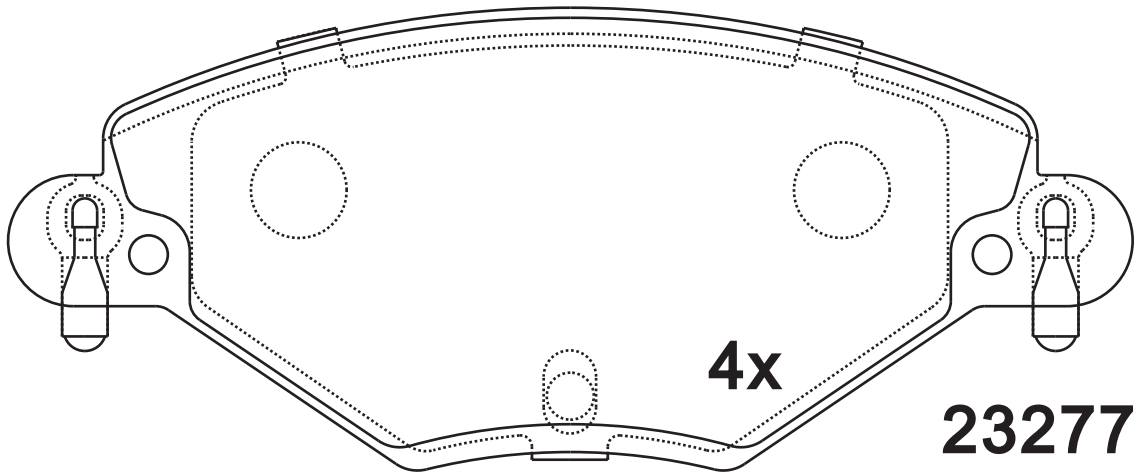


NOTE

4 identical;

148.7×61.2

17.7



Apply for:

Citroen C5 I	Hatchback	03.01-08.04
Citroen C5 I	Estate	06.01-08.04
Citroen C5 II	Hatchback	09.04-
Citroen C5 II	Estate	09.04-

SR0278

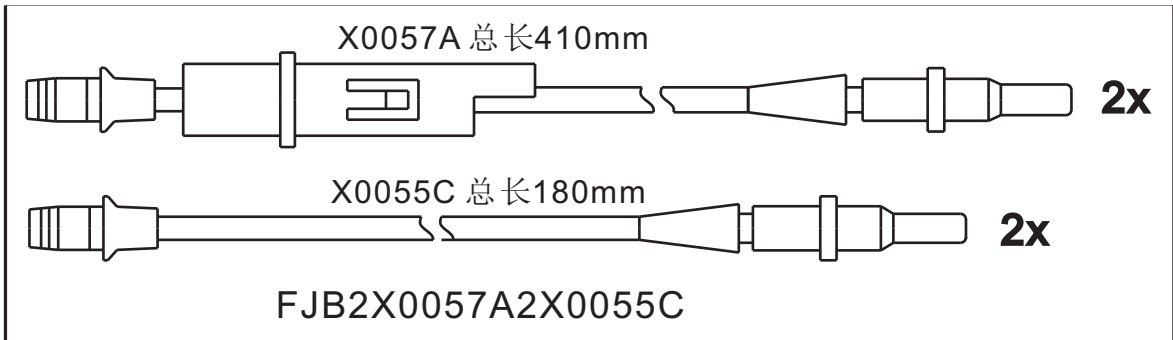
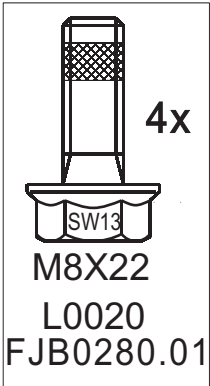
**Dimension
(mm)**

**Thickness
(mm)**



NOTE

附件包
Accessory kit



SR0279.01

**Dimension
(mm)**

156.3×64.6

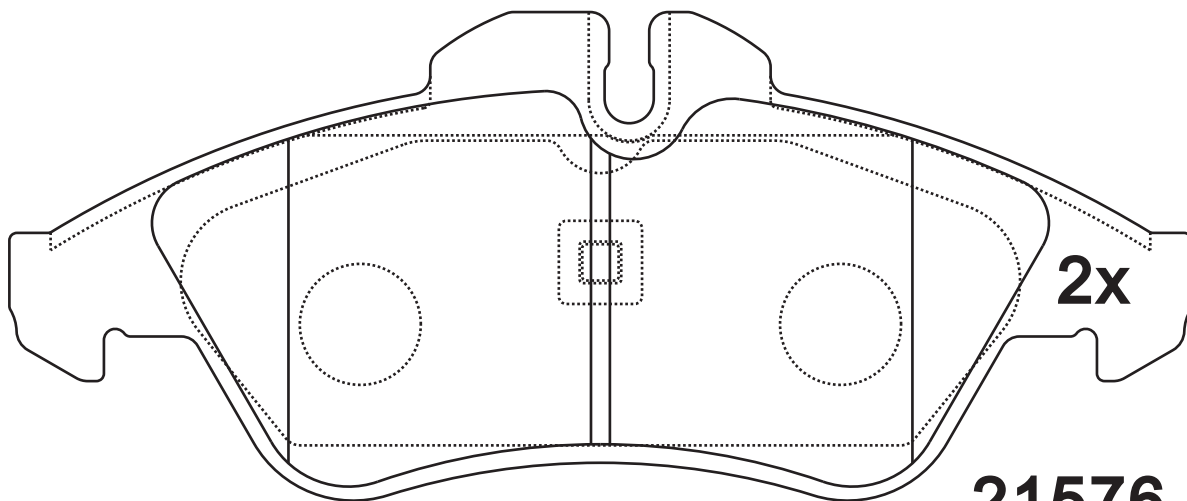
**Thickness
(mm)**

20.5

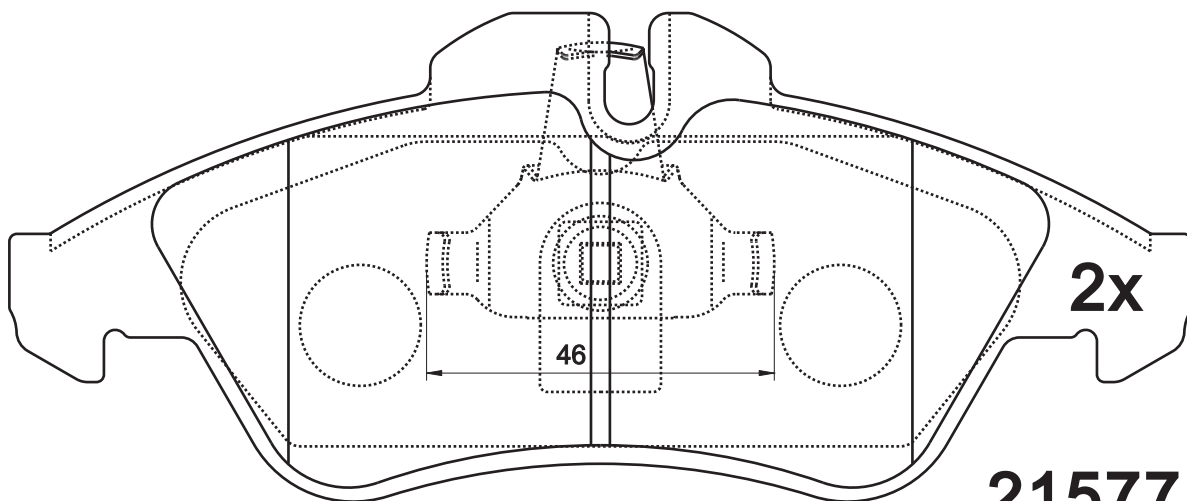


NOTE

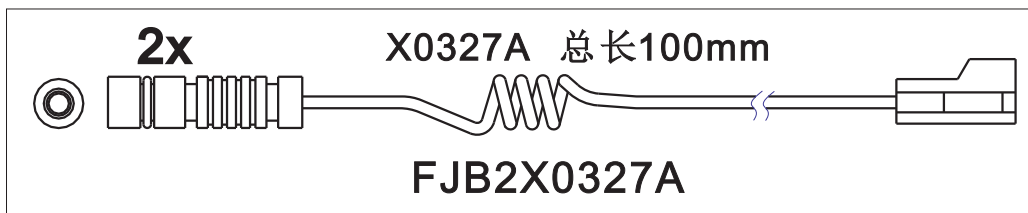
**2 identical; 2 identical
with spring.**



21576



21577



Apply for:

Mercedes Sprinter

Bus

01.95-05.06

Mercedes V-class

MPV

02.96-07.03

Volkswagan LT28 II

Box

04.96-07.06

Volkswagan LT28 II

Bus

04.96-07.06

SR0279.02

**Dimension
(mm)**

156.3×64.6

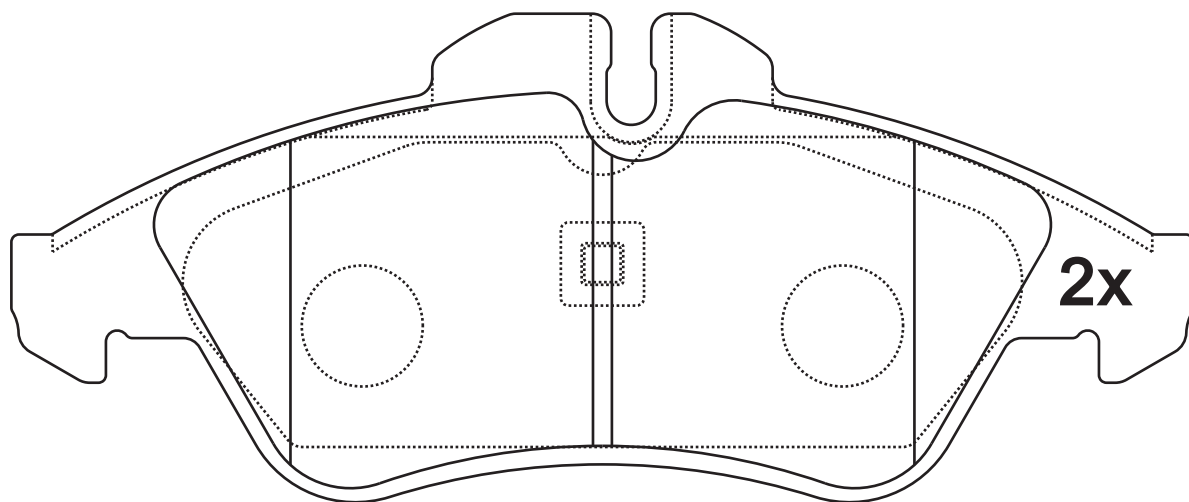
**Thickness
(mm)**

20.5

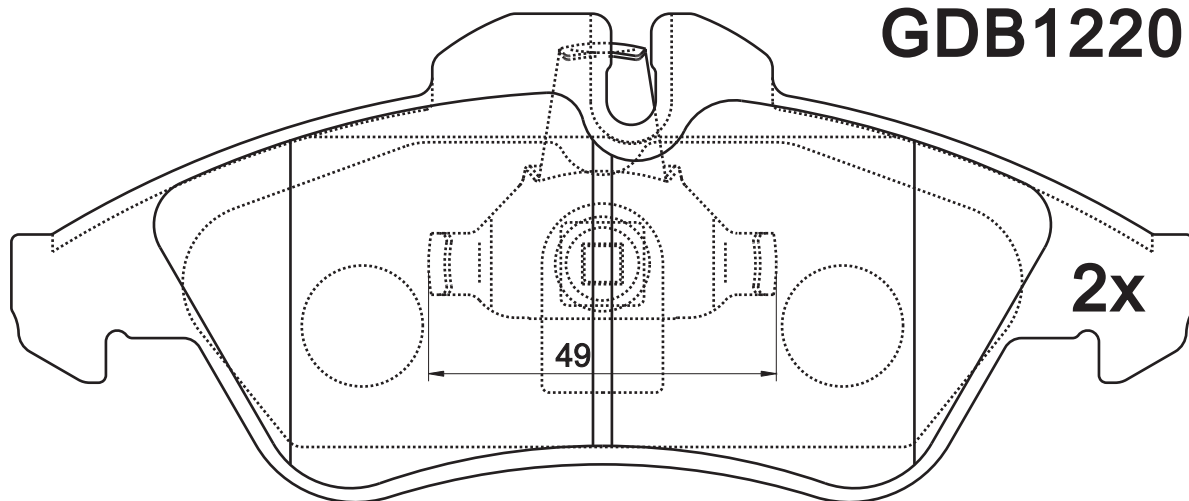


NOTE

**2 identical; 2 identical
with spring.**



GDB1220



Apply for:

Mercedes Sprinter

Mercedes V-class

Volkswagan LT28 II

Volkswagan LT28 II

Bus

MPV

Box


Bus

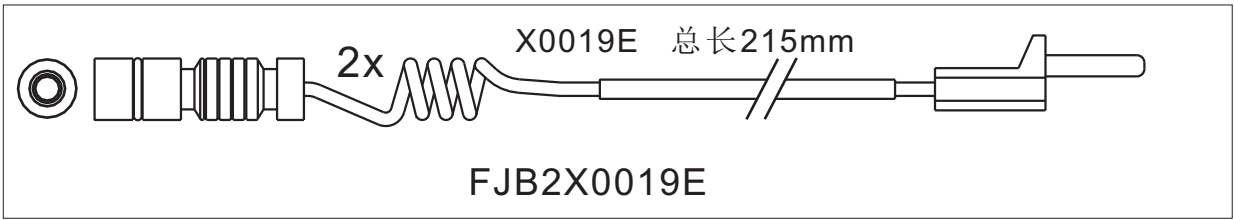
01.95-05.06

02.96-07.03

04.96-07.06

04.96-07.06

Sr0279	Dimension (mm)	Thickness (mm)		NOTE



SR0280.01

**Dimension
(mm)**

**Thickness
(mm)**

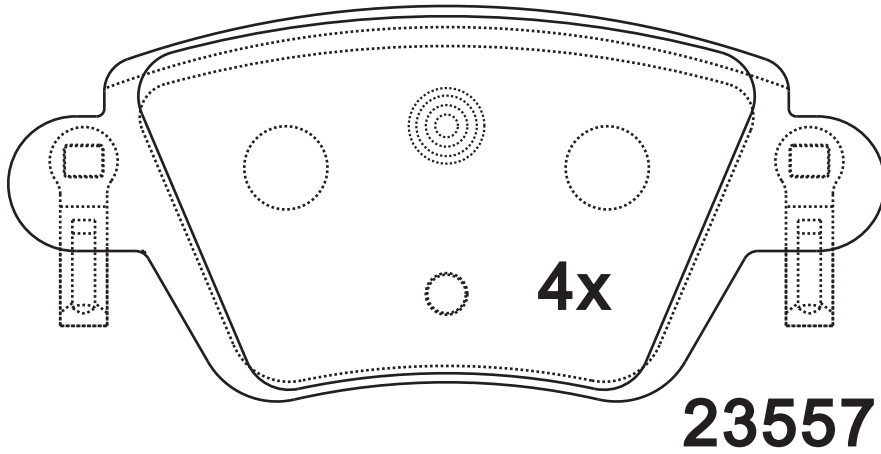


NOTE

4 identical;

115.7×52

17.2




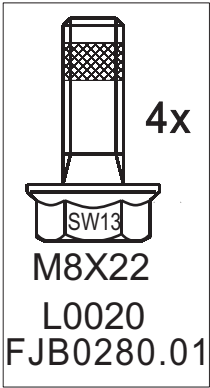
Apply for:

Ford Mondeo III
Ford Mondeo III
Ford Mondeo III

Hatchback
Saloon
Estate

11.00-08.07
11.00-08.07
11.00-08.07

SR0280	Dimension (mm)	Thickness (mm)		NOTE



SR0281.01

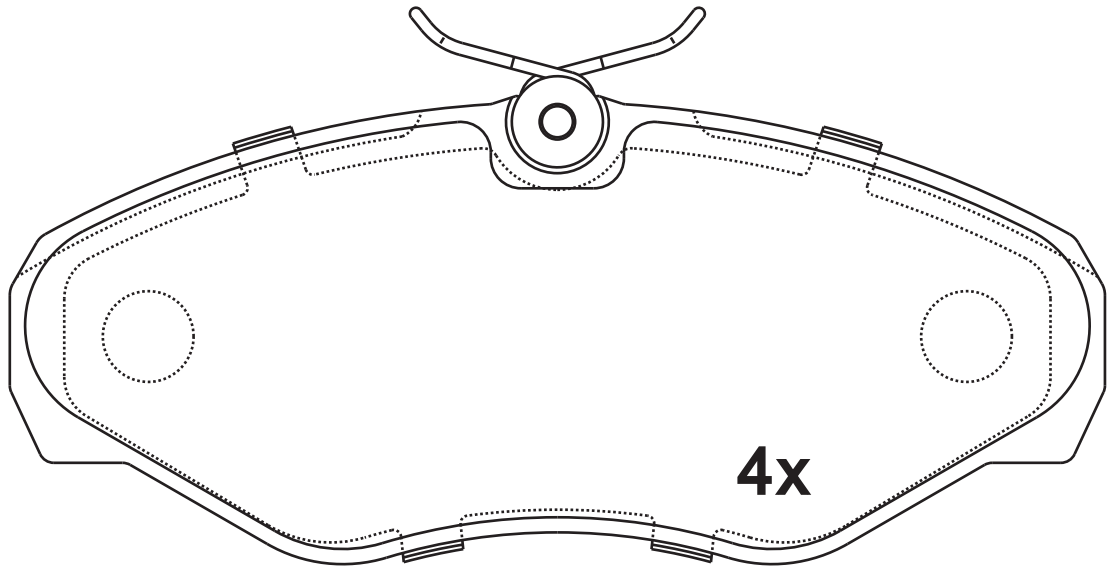
**Dimension
(mm)**

**Thickness
(mm)**



NOTE

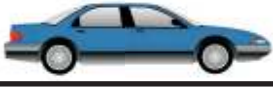
4 identical;



23099

Apply for:

Nissan Primastar	Bus	03.01-
Nissan Primastar	Box	02.03-
Renault Clio III	Hatchback	02.06-
Renault Megane III	Hatchback	05.04-

SR0281.02	Dimension (mm)	Thickness (mm)		NOTE

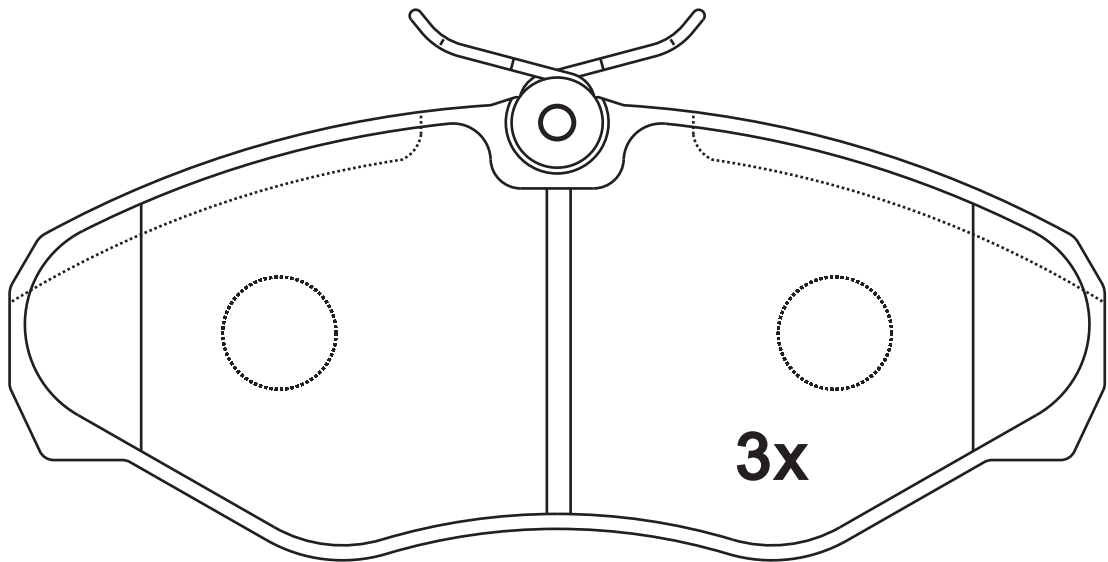
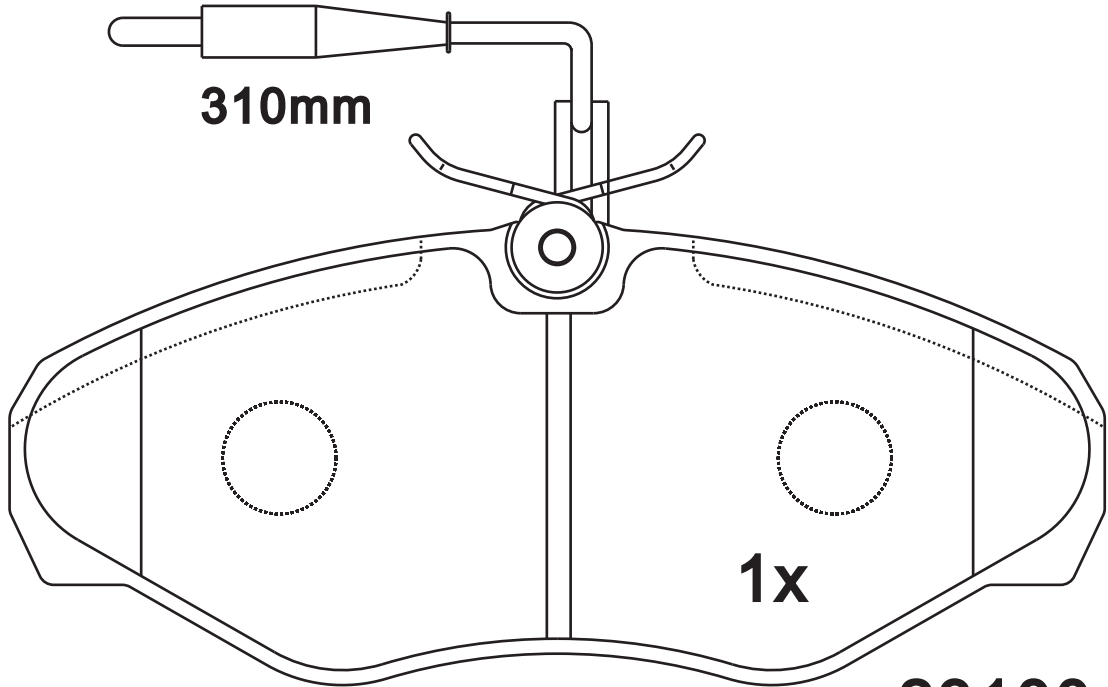
取消 SR0281.02=SR0281.01+FJB0025.01

SR0281.03**Dimension
(mm)**

144.8×62.4

**Thickness
(mm)**

18.4

**NOTE****4 identical;****Apply for:**

Nissan Primastar

Bus

03.01-

Nissan Primastar

Box

02.03-

Renault Clio III

Hatchback

02.06-

Renault Megane III

Hatchback

05.04-

SR0281

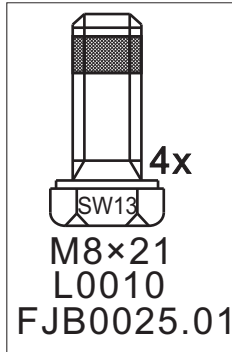
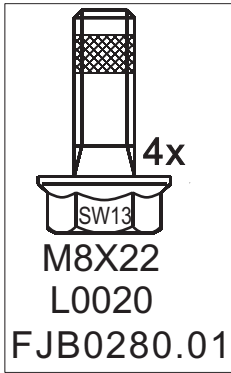
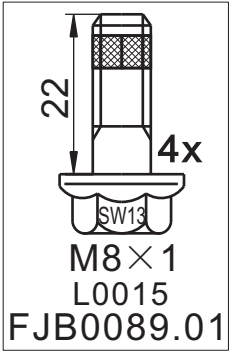
**Dimension
(mm)**

**Thickness
(mm)**



NOTE

附件包
Accessory bag



SR0282.01

**Dimension
(mm)**

164.9×69.1

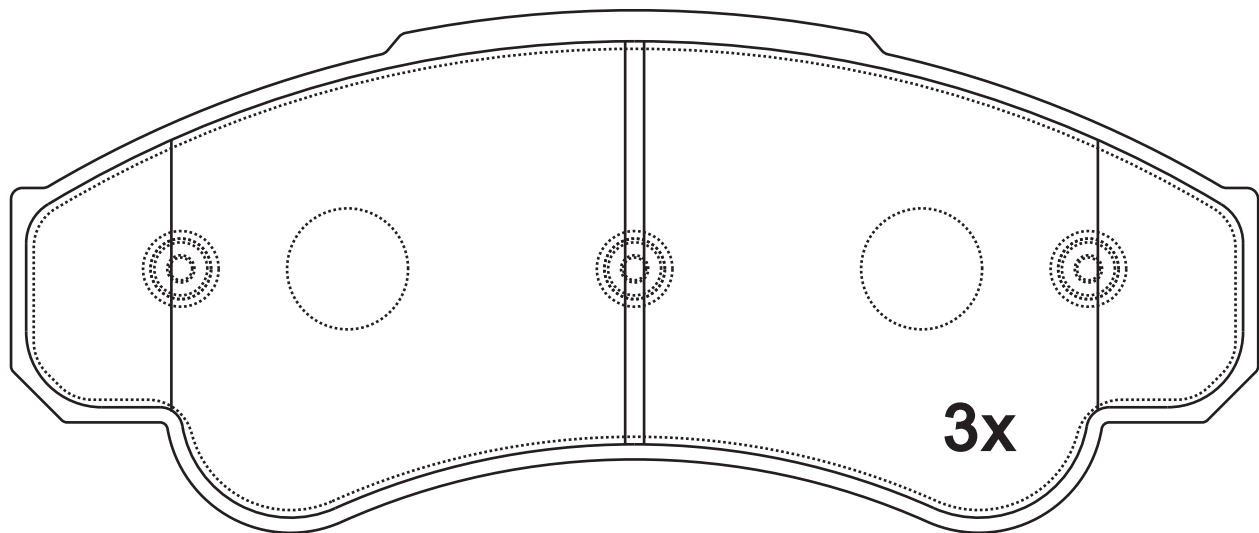
**Thickness
(mm)**

19.3

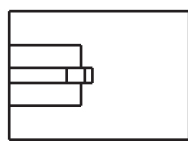
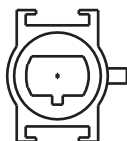


NOTE

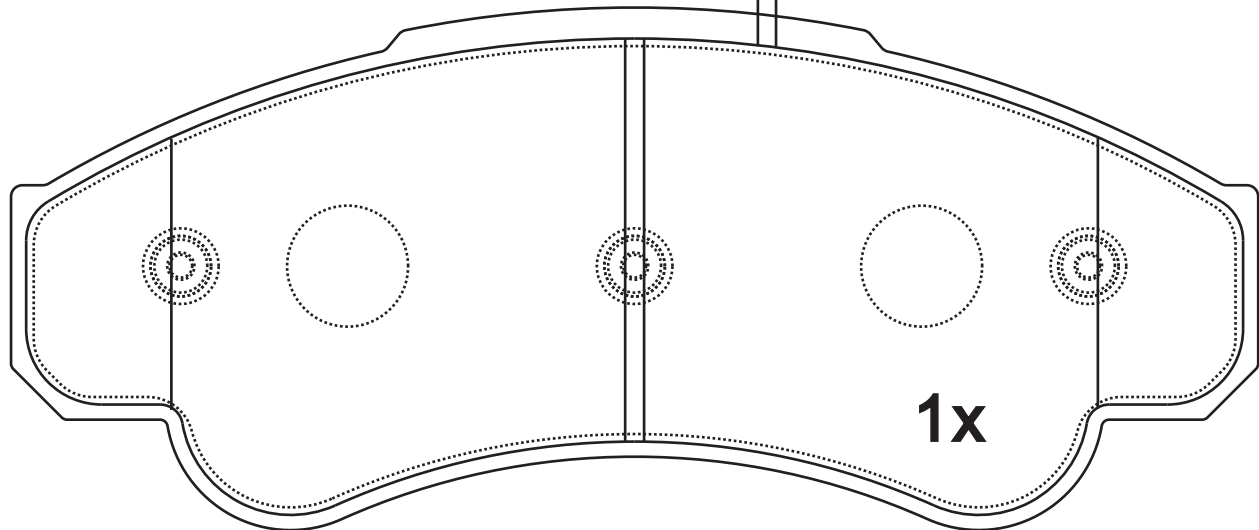
4 identical, 1 with warn indicator: 165mm.



23919



X0013C 总长165mm



23920

Apply for:

Fiat Ducato
Fiat Ducato
Fiat Ducato
Peugeot Boxer

Bus
Box
Platform
Platform

03.94-
03.94-
12.98-07.06
12.01-04.02

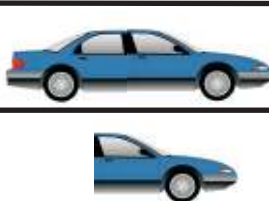
SR0282.02

**Dimension
(mm)**

164.9×69.1

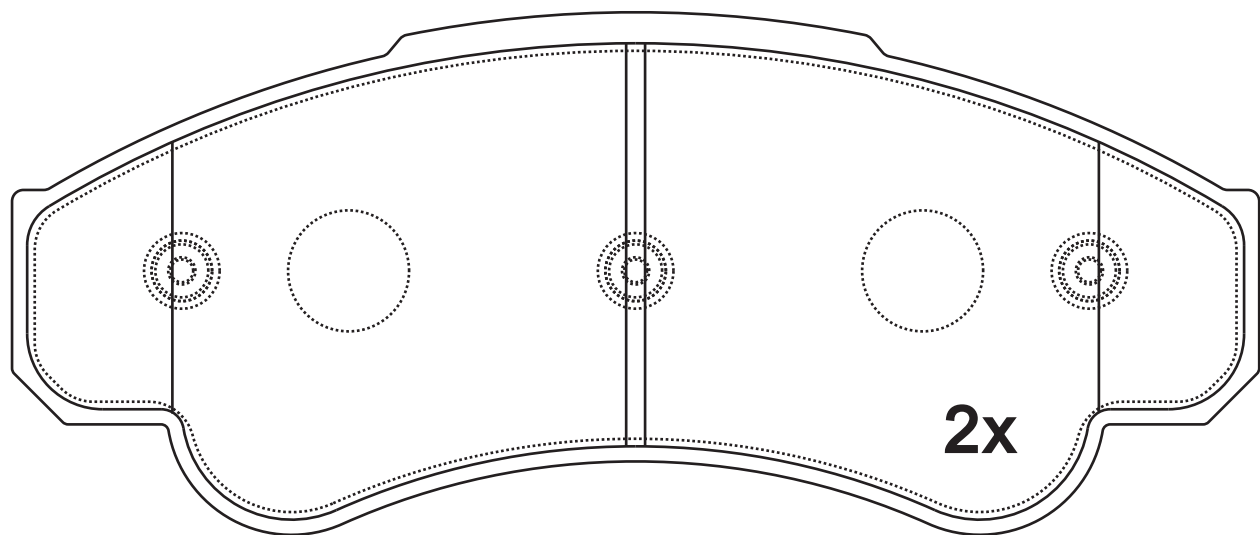
**Thickness
(mm)**

19.3

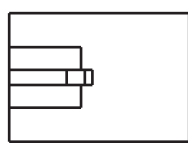
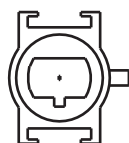


NOTE

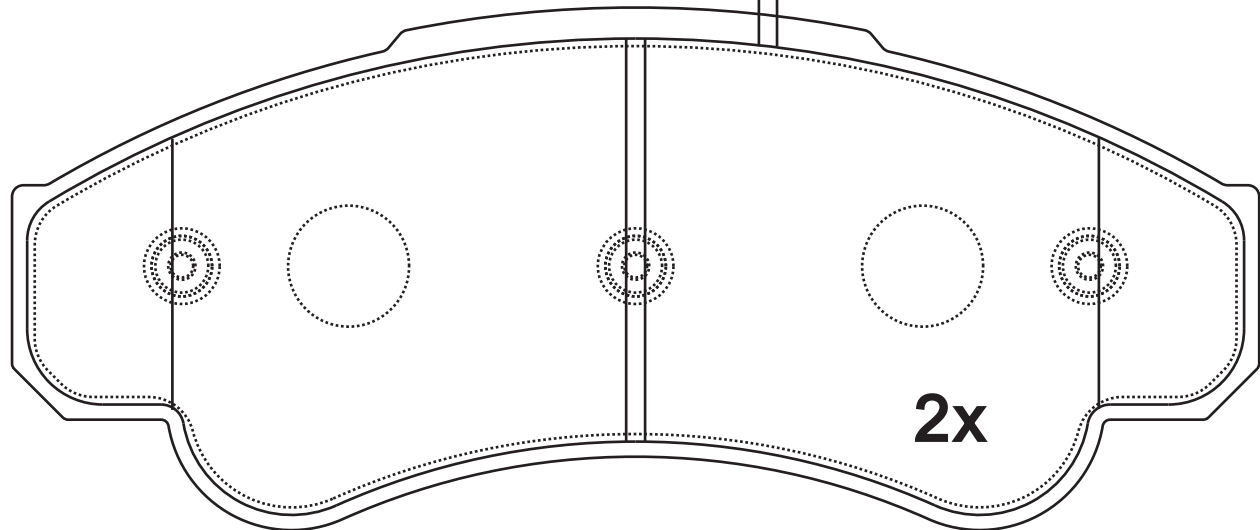
4 identical, 2 with warn indicator: 155mm.



23919



X0013C 总长165mm



23920

Apply for:

Fiat Ducato
Fiat Ducato
Fiat Ducato
Peugeot Boxer

Bus
Box
Platform
Platform

03.94-
03.94-
12.98-07.06
12.01-04.02

SR0282

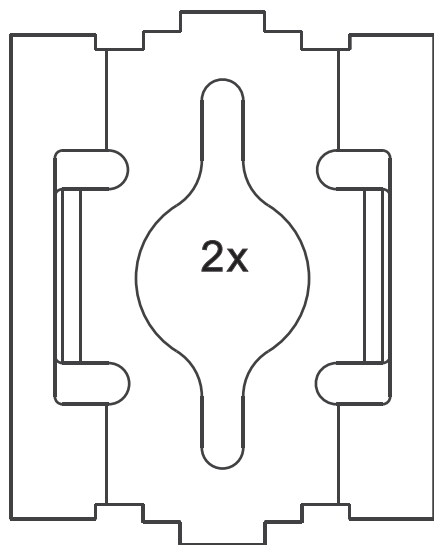
**Dimension
(mm)**

**Thickness
(mm)**

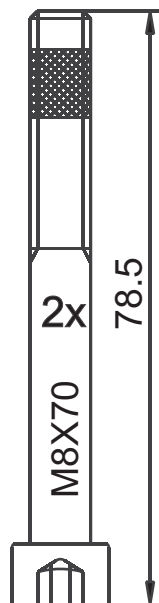


NOTE

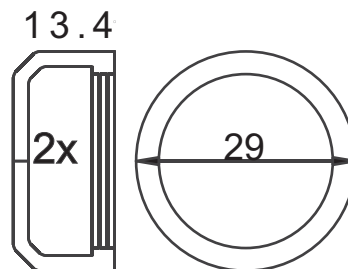
附件包
Accessory bag



K0348





6
L0019



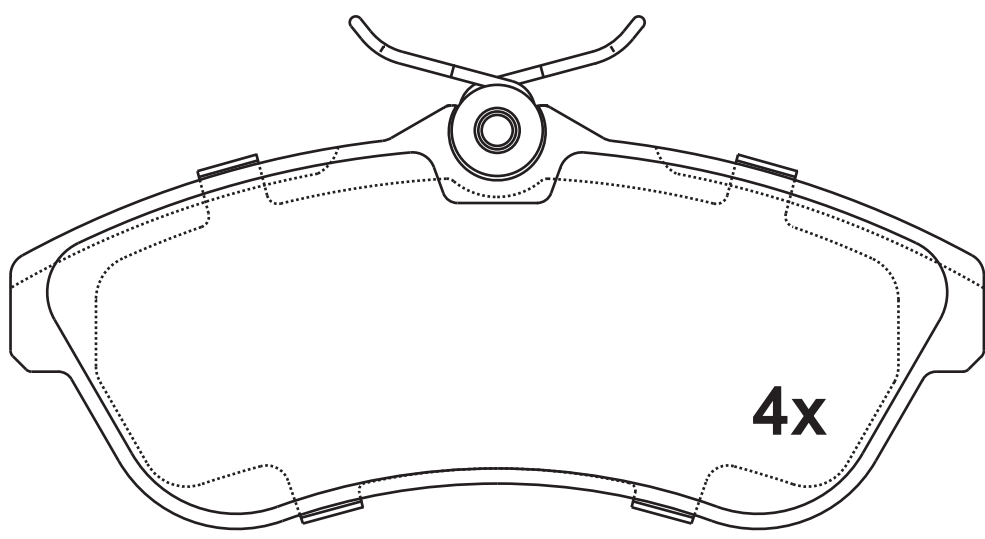
XJ003

FJB0282.01

SR0283.01

Dimension (mm)	Thickness (mm)	
128.7×56	19.3	

NOTE
4 identical;



23409

Apply for:

Citroen C2	Hatchback	09.03-
Citroen C3 I	Hatchback	02.02-
Citroen C3	Convertible	05.03-

SR0283

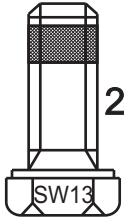
**Dimension
(mm)**

**Thickness
(mm)**



NOTE

**附件包
Accessory bag**



2x

SW13

M8×21

L0010

FJB0003.01

SR0284.01

**Dimension
(mm)**

146.6×60

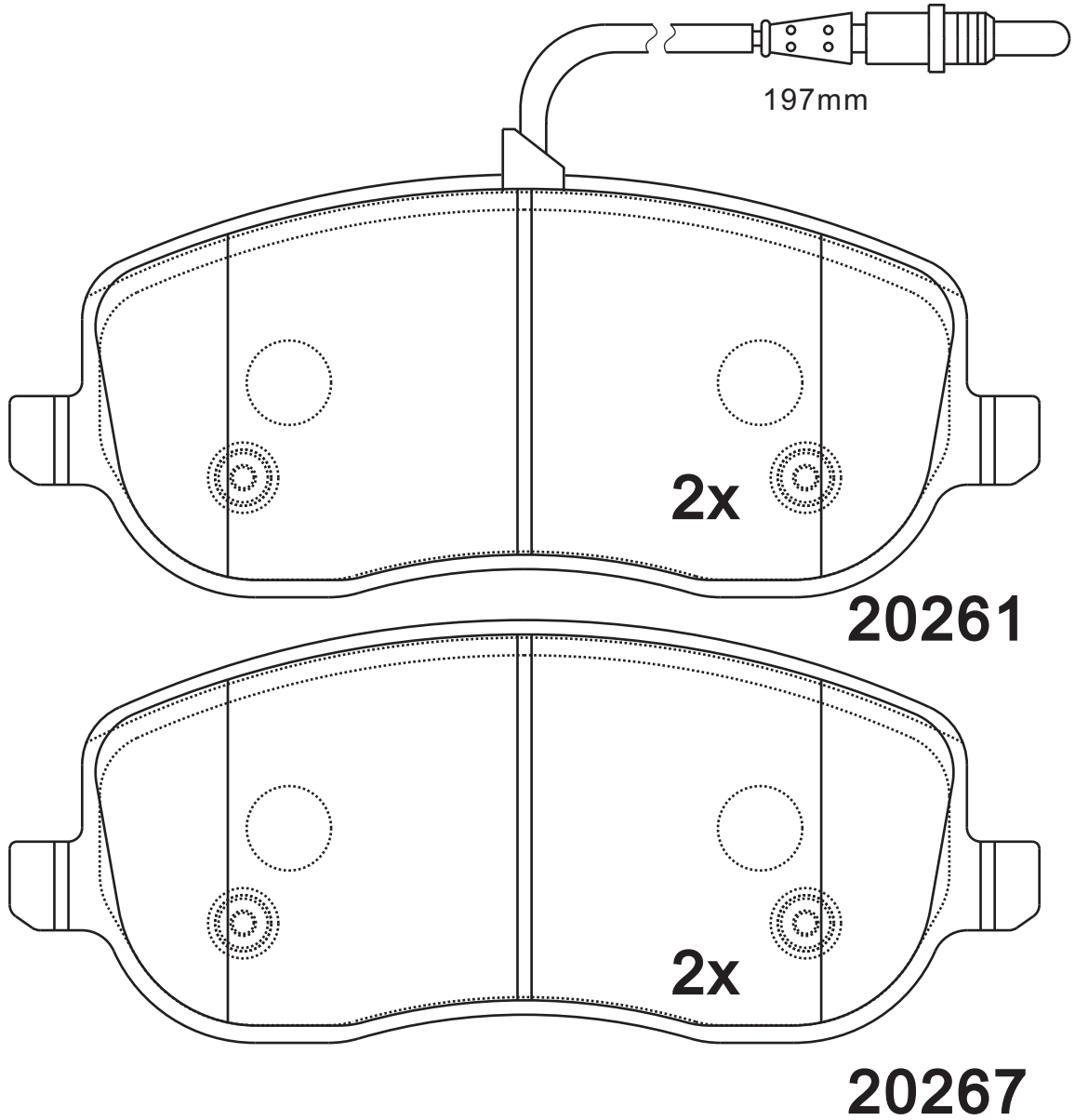
**Thickness
(mm)**

19



NOTE

4 identical, 2 with warn indicator: 197mm.



Apply for:

Peugeot 807

MPV

06.02-

SR0284.02

**Dimension
(mm)**

146.5×59.7

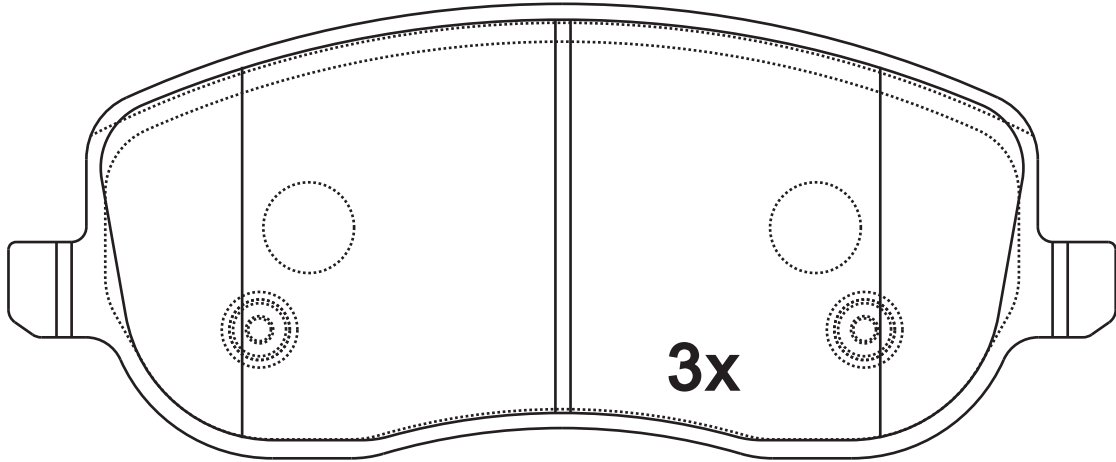
**Thickness
(mm)**

19

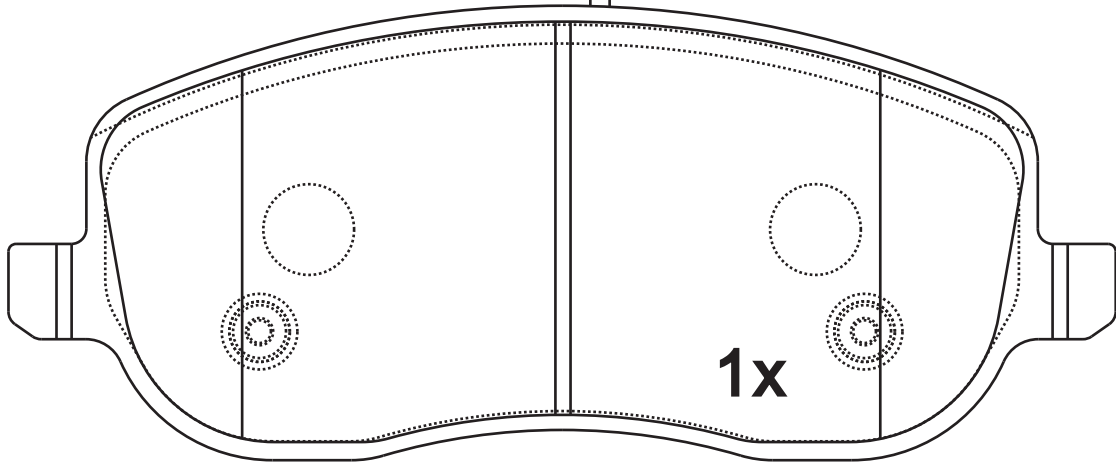
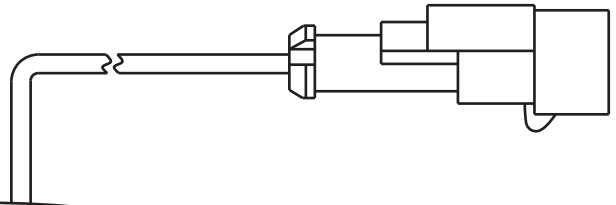


NOTE

**4 identical, 2 with warn
indicator.**



20261



24294

Apply for:
Fiat Croma

2005/06-

SR0284

**Dimension
(mm)**

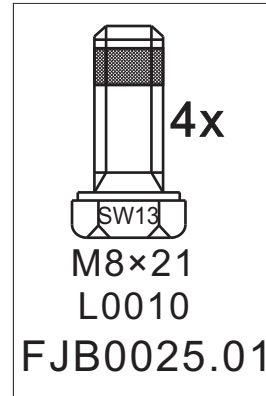
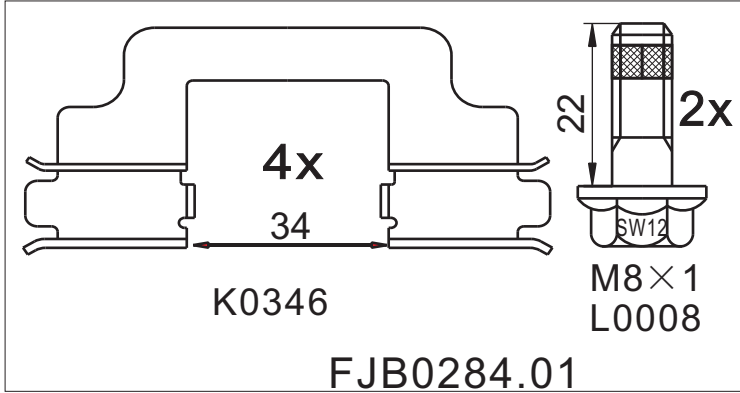
**Thickness
(mm)**



NOTE

附件包

Accessory bag



SR0285.01

**Dimension
(mm)**

**Thickness
(mm)**

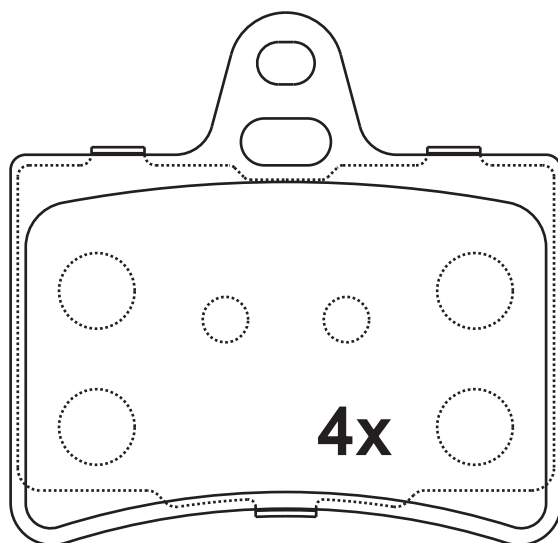


NOTE

4 identical;

72.8×70.4

15.2



23305

Apply for:

Citroen C5 I

Hatchback

03.01-08.04

Citroen C5 I

Estate

06.01-08.04

Citroen C5 II

Hatchback

09.04-

Citroen C5 II

Estate

09.04-

SR0286.01

**Dimension
(mm)**

140.2×65.6

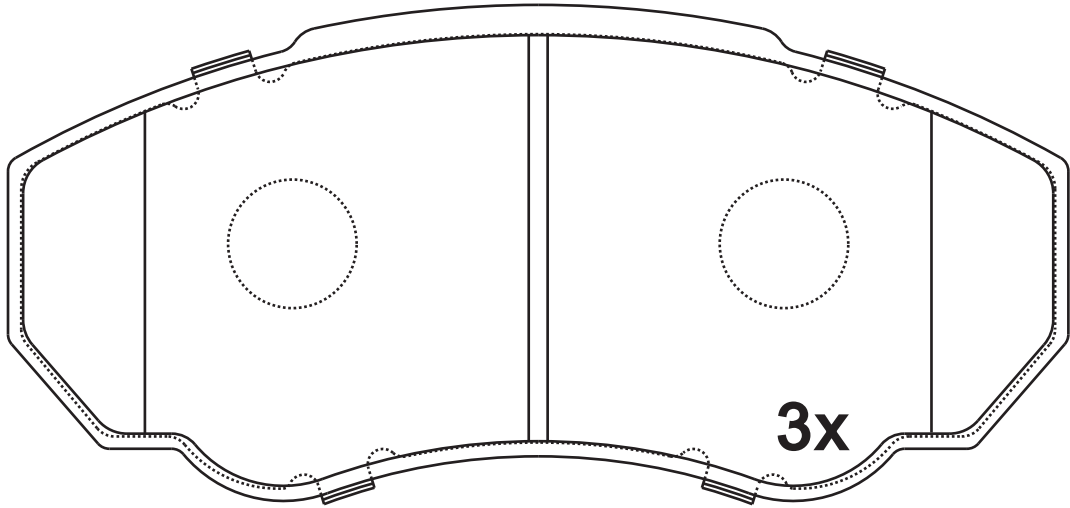
**Thickness
(mm)**

19.3

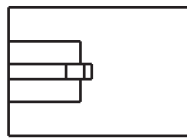
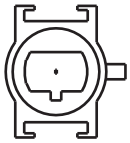


NOTE

4 identical, 2 identical with
warn indicator: 155mm.

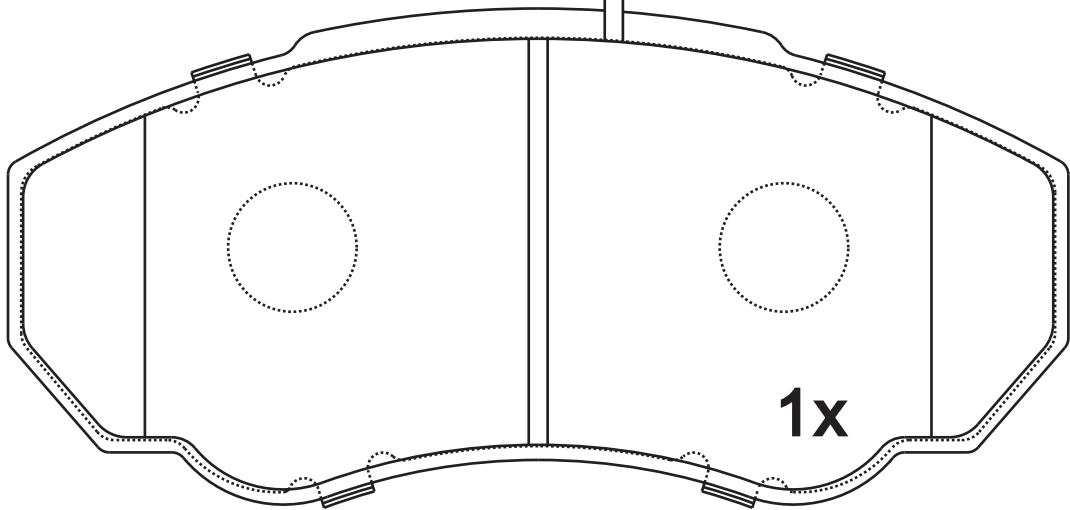


3x



X0013C 总长165mm

23917



1x

23918

Apply for:

Fiat Ducato	Bus	03.94-
Fiat Ducato	Box	03.94-
Fiat Ducato	Platform	12.98-07.06
Peugeot Boxer	Box	03.96-09.98
Peugeot Boxer	Platform	12.01-04.02

SR0286

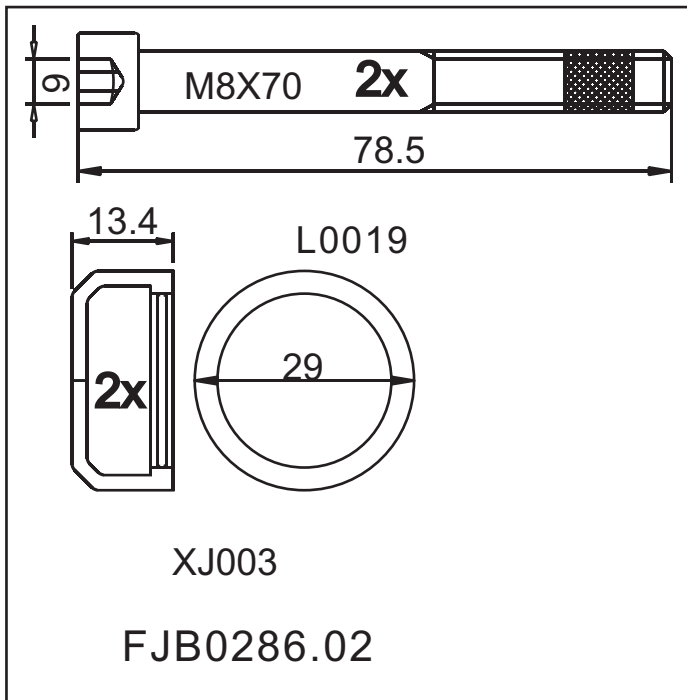
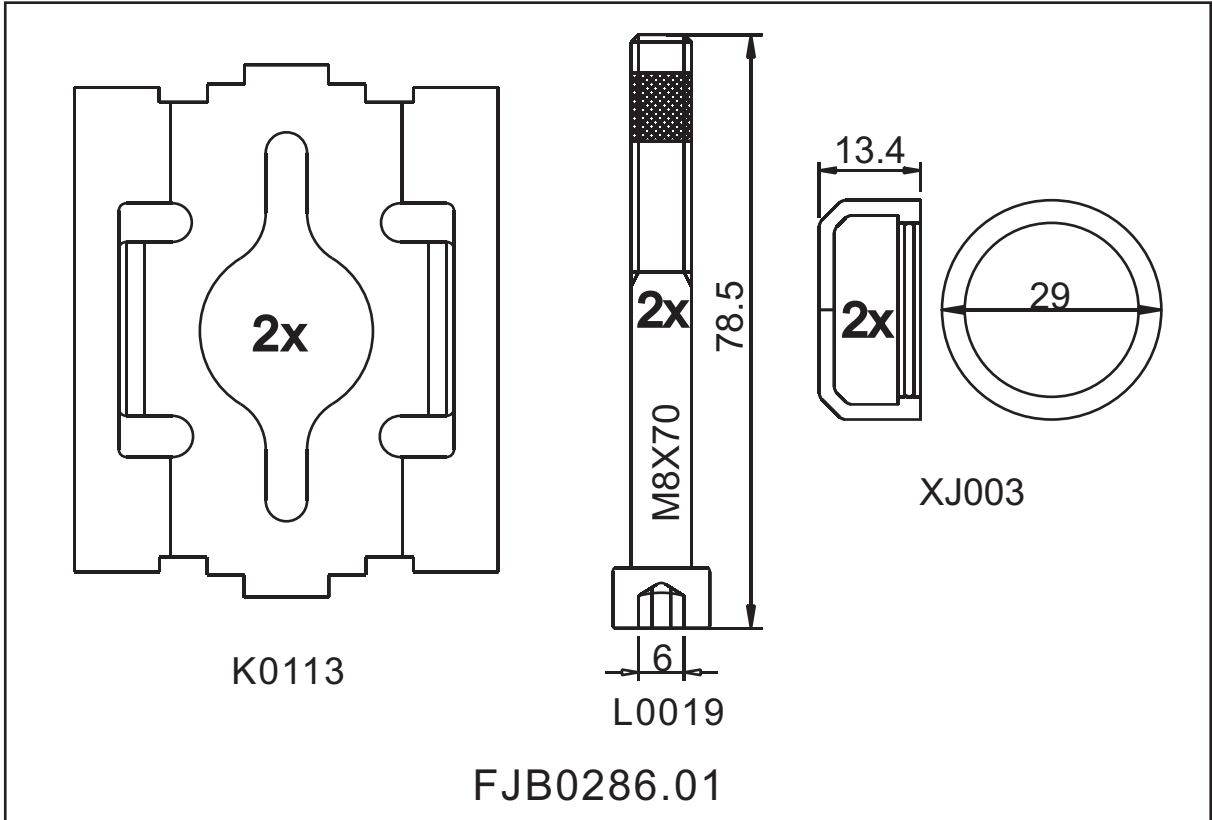
**Dimension
(mm)**

**Thickness
(mm)**



NOTE

**附件包
Accessory bag**



SR0287.01

**Dimension
(mm)**

119.7×71

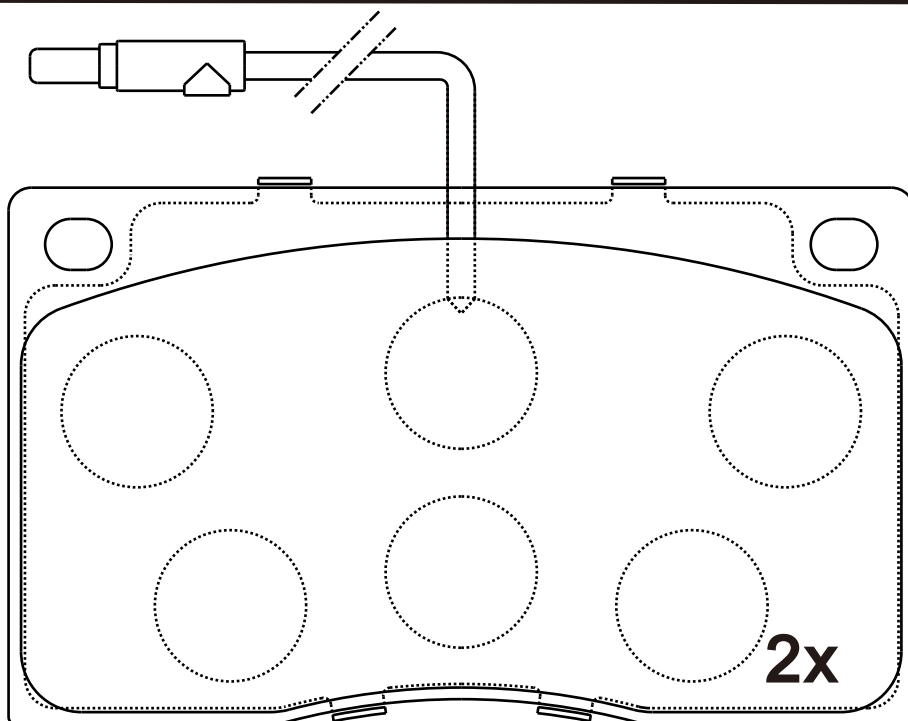
**Thickness
(mm)**

15.6

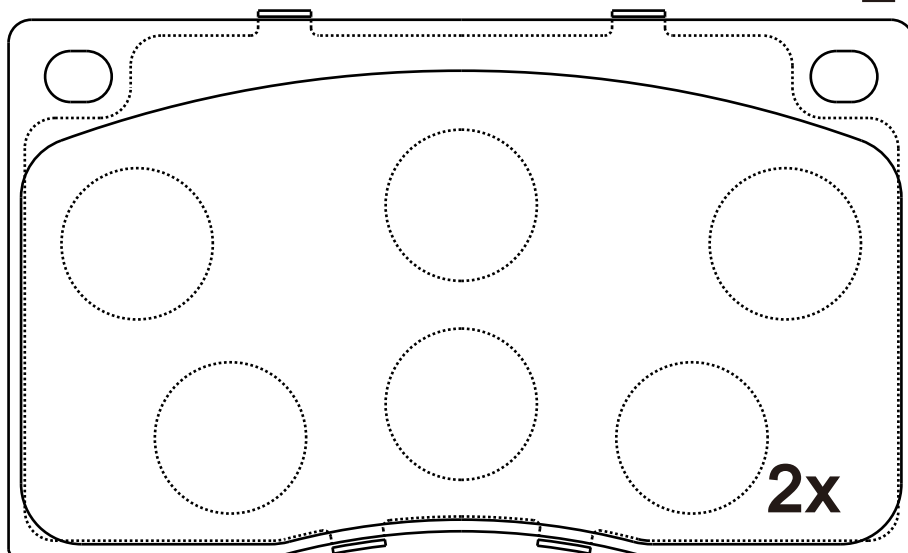


NOTE

4 identical, 2 identical
with warn indicator.



21110



20380

Apply for:

Renault Master I

Bus

08.89-07.98

SR0287.02

**Dimension
(mm)**

**Thickness
(mm)**

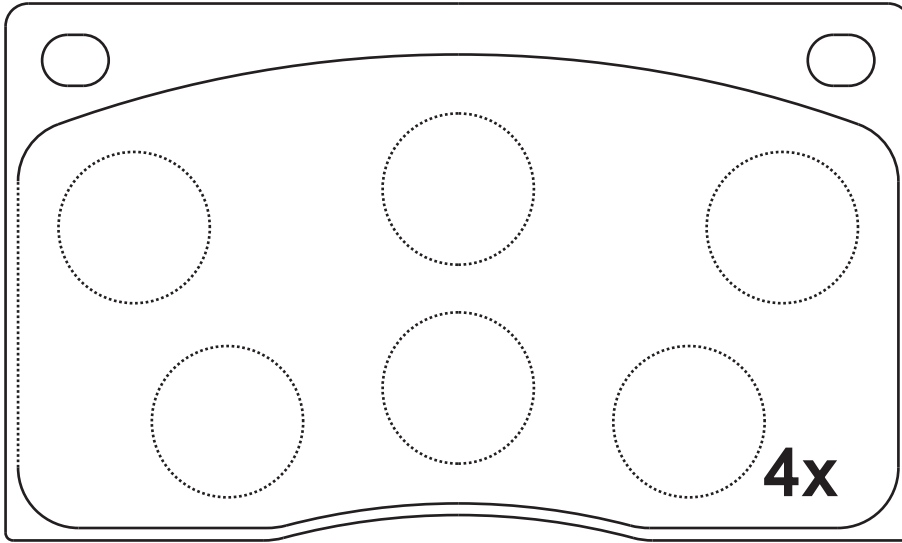


NOTE

**4 identical, 2 identical
with warn indicator.**

119.7×71

15.6



20380

Apply for:

Renault Master I

Bus

08.89-07.98

SR0288.01

**Dimension
(mm)**

131.3×66.6

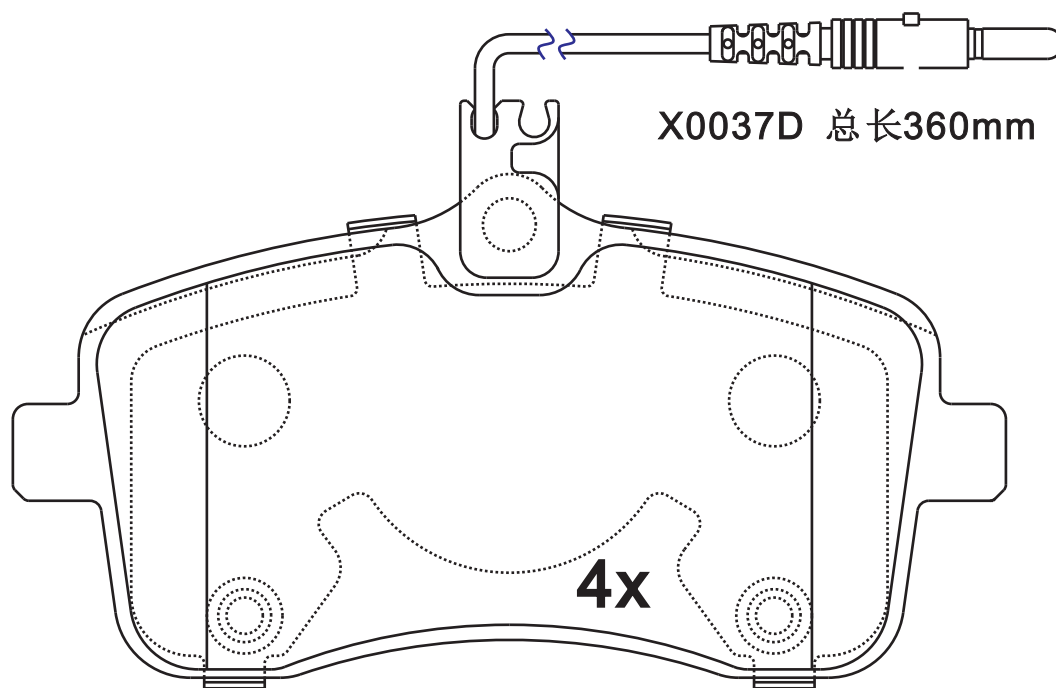
**Thickness
(mm)**

19.6



NOTE

**4 identical with indicator:
360mm.**



24134

Apply for:

Peugeot 407

Saloon

05.04-

SR0288.02

**Dimension
(mm)**

131.3×66.6

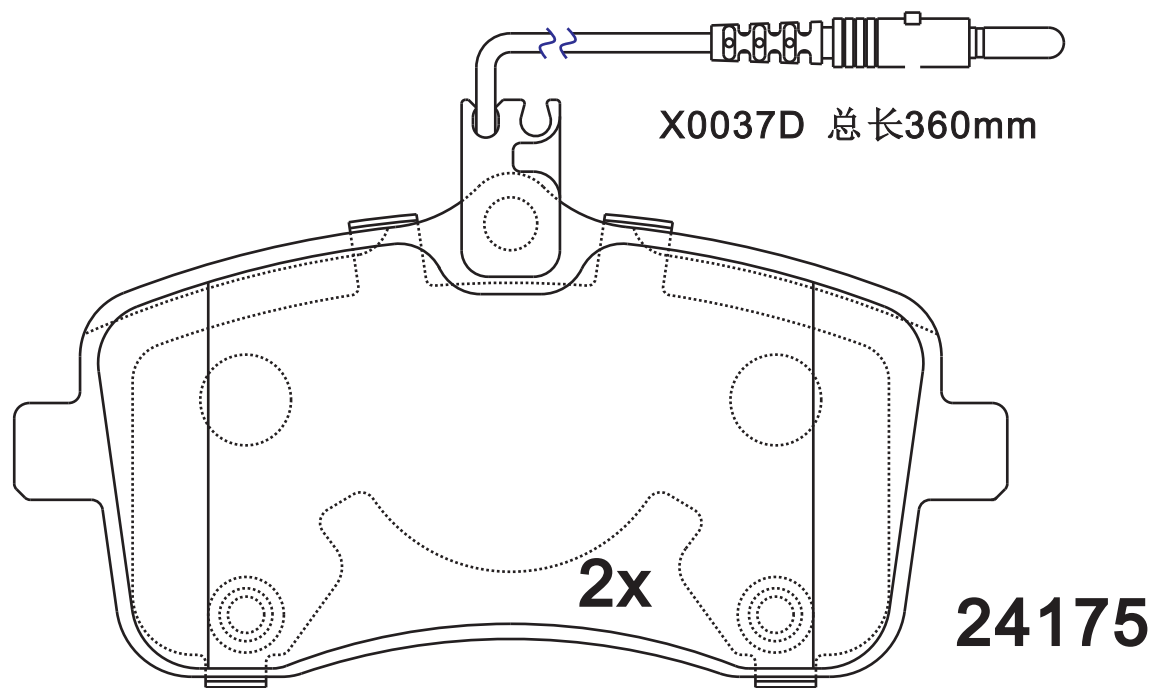
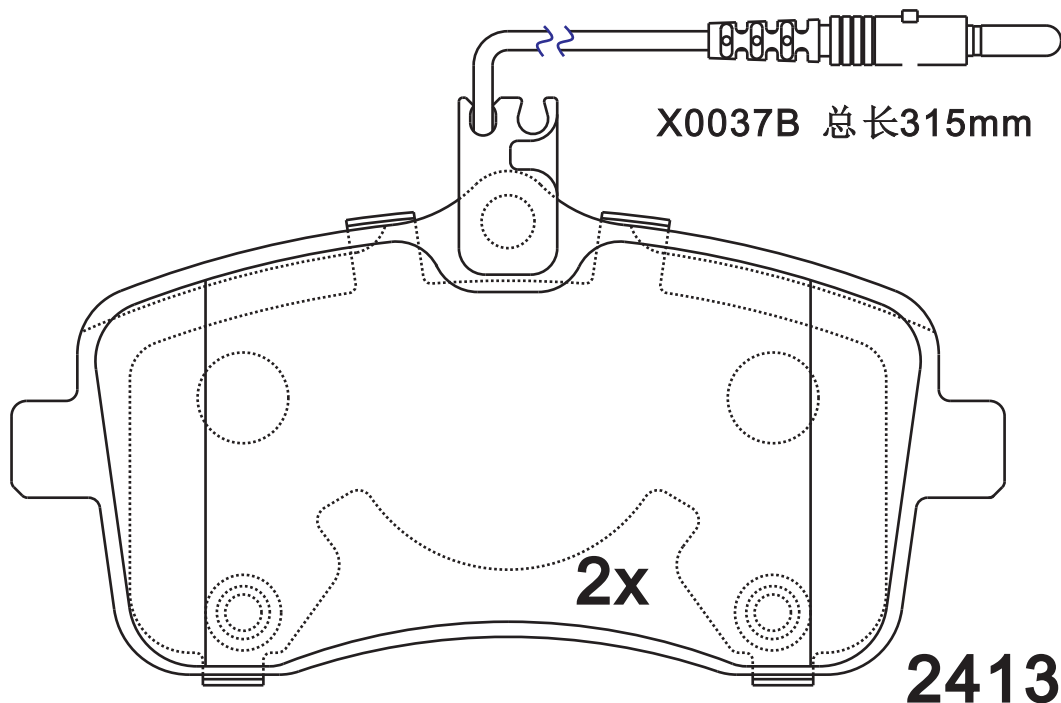
**Thickness
(mm)**

19.6



NOTE

2 identical with indicator:
315mm, 2 identical with
indicator:360mm.



Apply for:

Peugeot 407

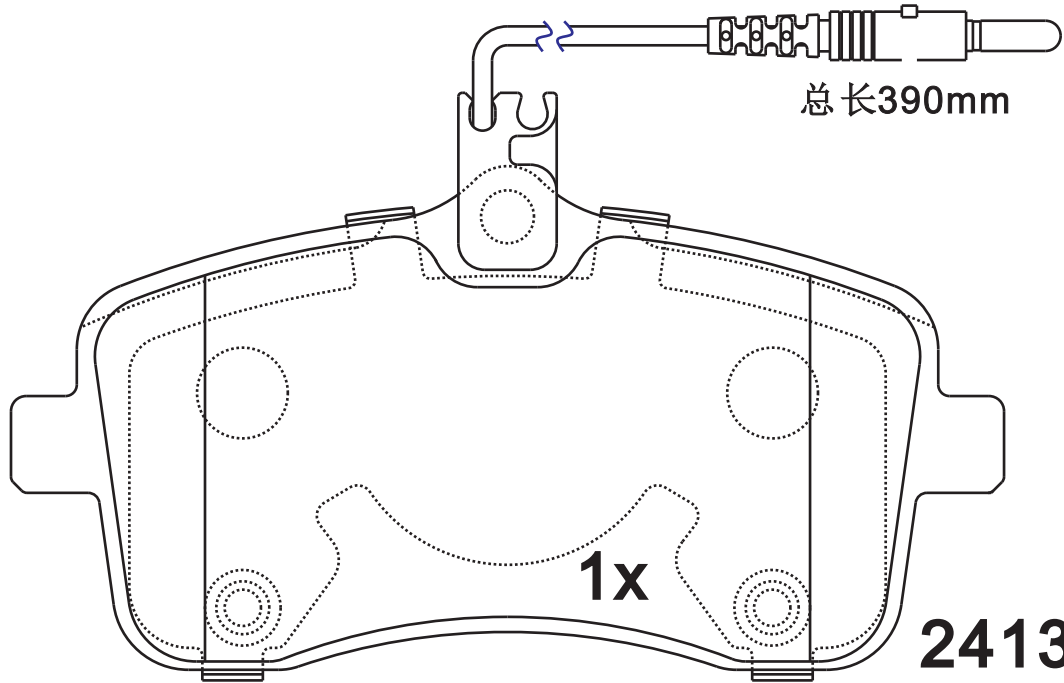
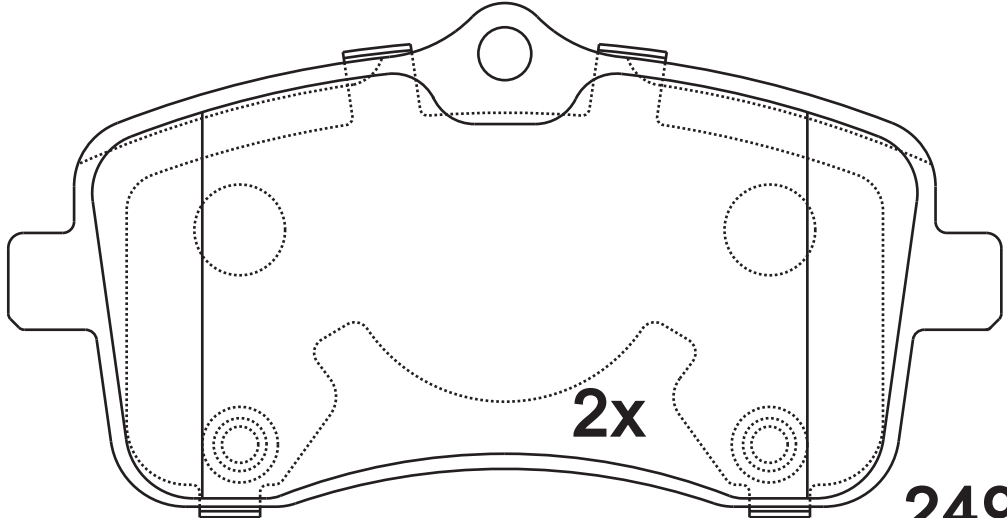
Saloon

05.04-

SR0288.03

Dimension (mm)	Thickness (mm)	
131.2×66.6	18.7	

NOTE
4 identical, 1 with warn indicator: 390mm. 1 with warn indicator: 360mm.



... ..Next

SR0288.03

**Dimension
(mm)**

131.2×66.6

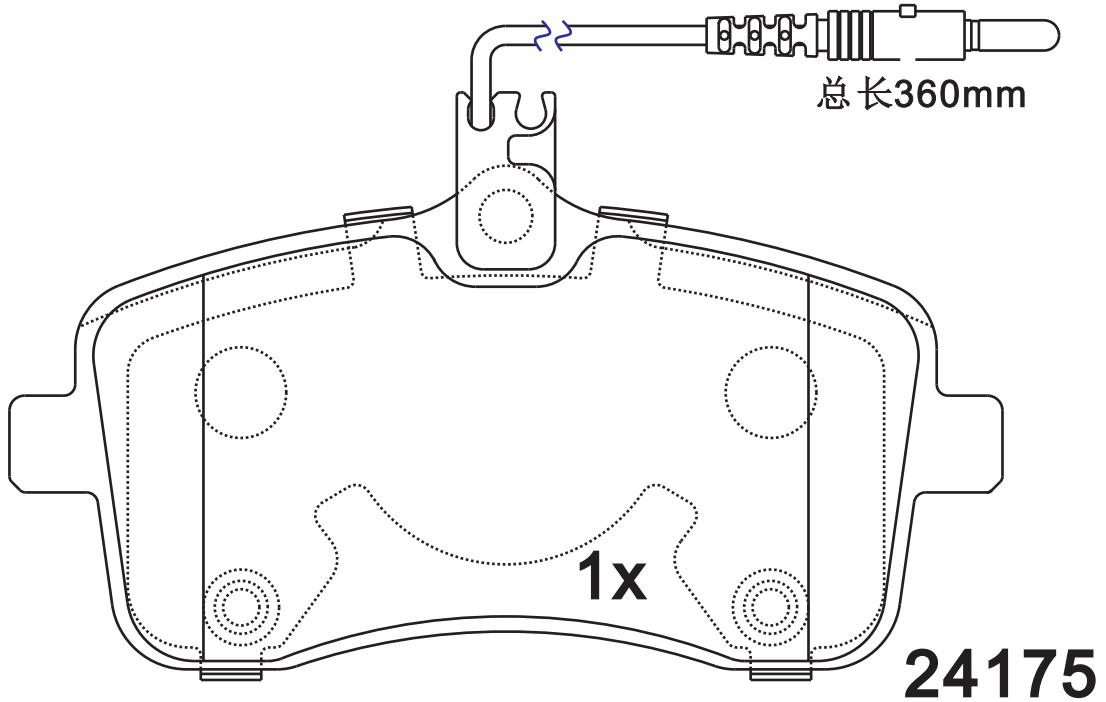
**Thickness
(mm)**

18.7



NOTE

4 identical, 1 with warn indicator: 365mm. 1 with warn indicator: 360mm.



Apply for:

Peugeot 407
Peugeot 407 Sw

2004/03-
2004/05-

SR0288

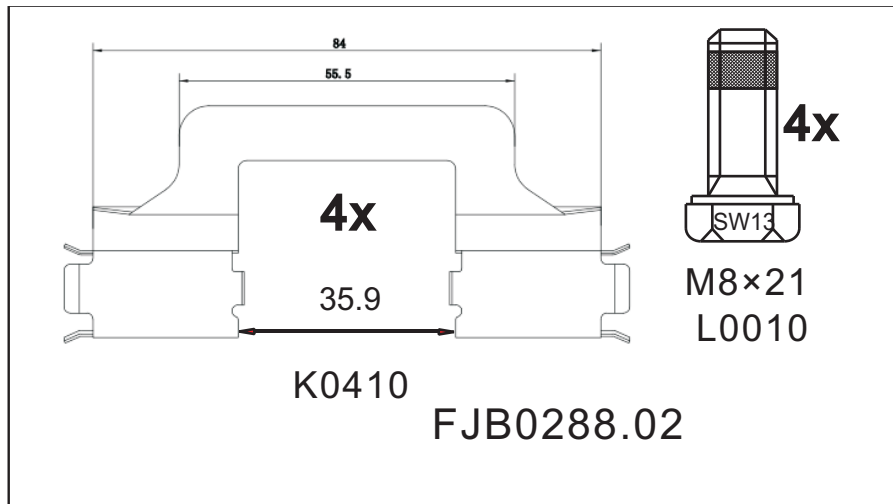
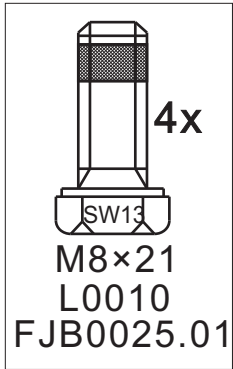
**Dimension
(mm)**

**Thickness
(mm)**





NOTE

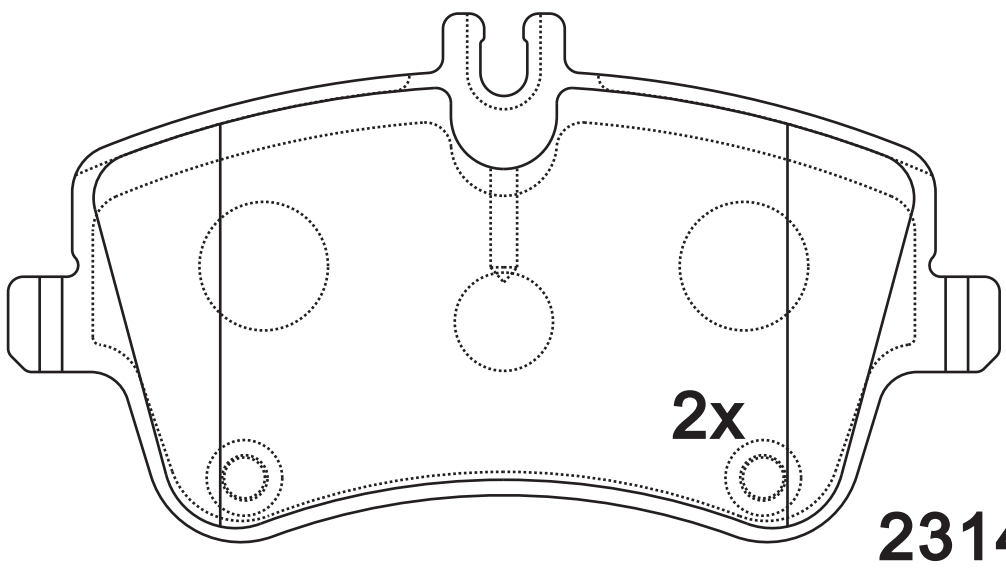
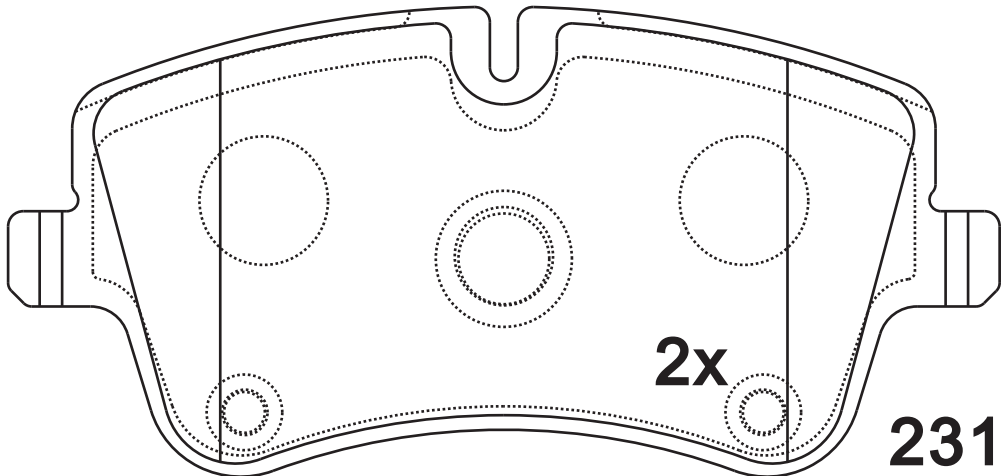
**附件包
Accessory bag**



SR0289.01


Dimension (mm)	Thickness (mm)	
131.1×62.1 131.1×69.9	19.8	

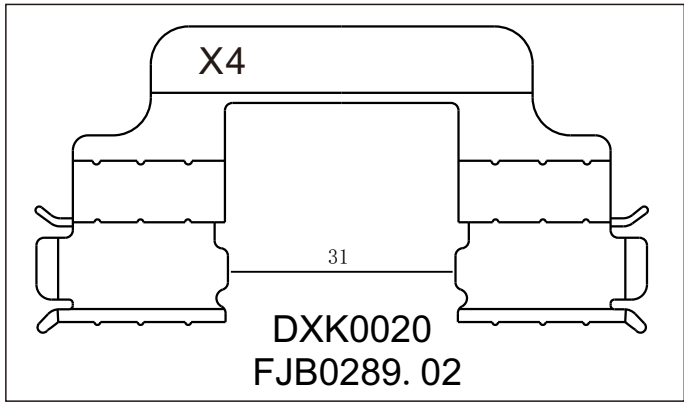
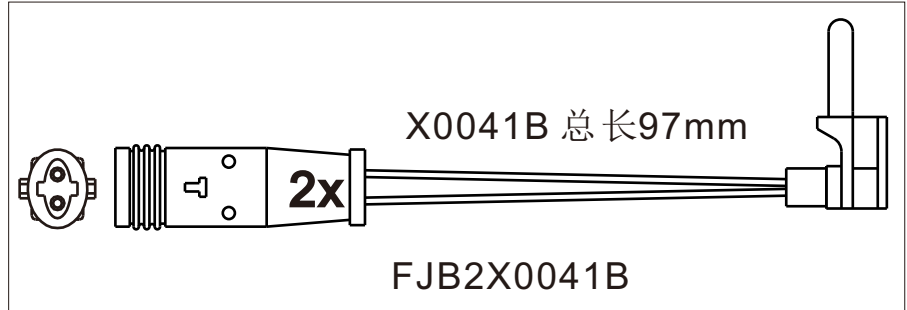
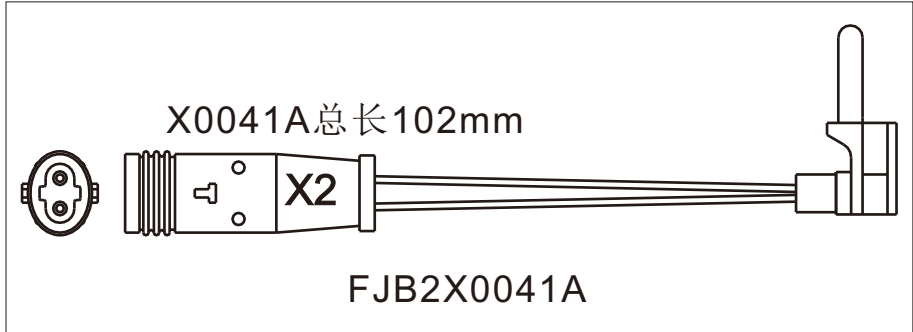
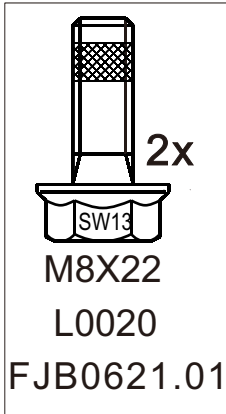
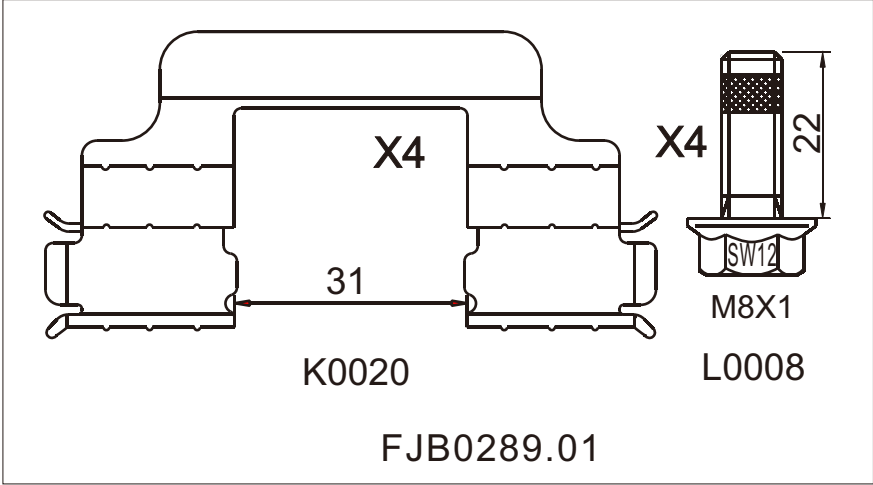
NOTE
2 identical;2 identical;





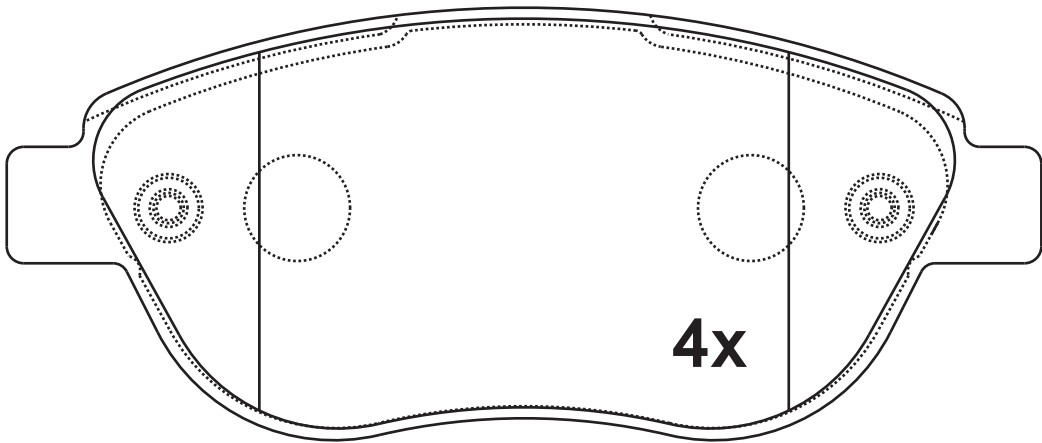
Apply for:

Mercedes	CLC-class	Coupe	05.08-06.11
Mercedes	CLK	Coupe	09.02-05.09
Mercedes	CLK	Convertible	07.03-03.10
Mercedes	SLK	Convertible	03.04-02.11

SR0289	Dimension (mm)	Thickness (mm)		NOTE



SR0290.01	Dimension (mm)	Thickness (mm)		NOTE 4 identical;
	136.8×57.2	19		



23600

Apply for:

Citroen C-triomphe	Saloon	05.06-
Citroen C-quatre	Hatchback	10.08-
Citroen C-quatre	Saloon	06.09-
Citroen Xsara	Saloon	05.03-12.05
Citroen Xsara Picasso	MPV	04.02-03.07

SR0290

**Dimension
(mm)**

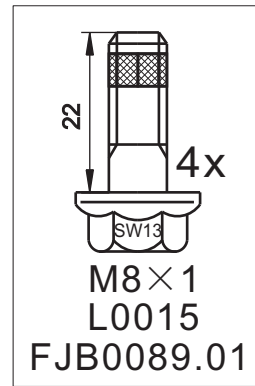
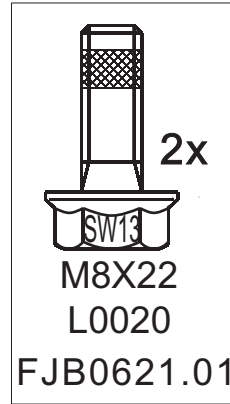
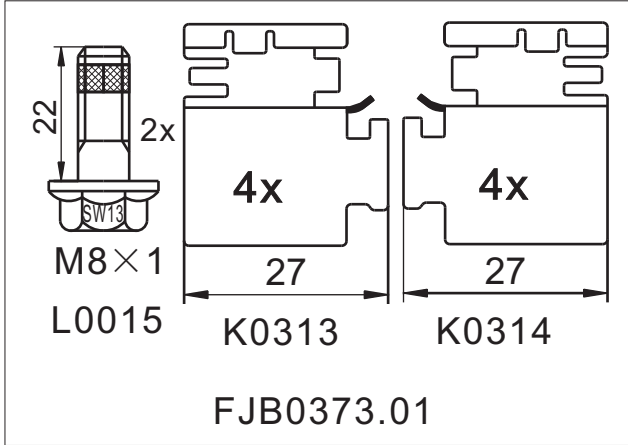
**Thickness
(mm)**



NOTE

附件包

Accessory bag



SR0291.01

**Dimension
(mm)**

125.9×58.4

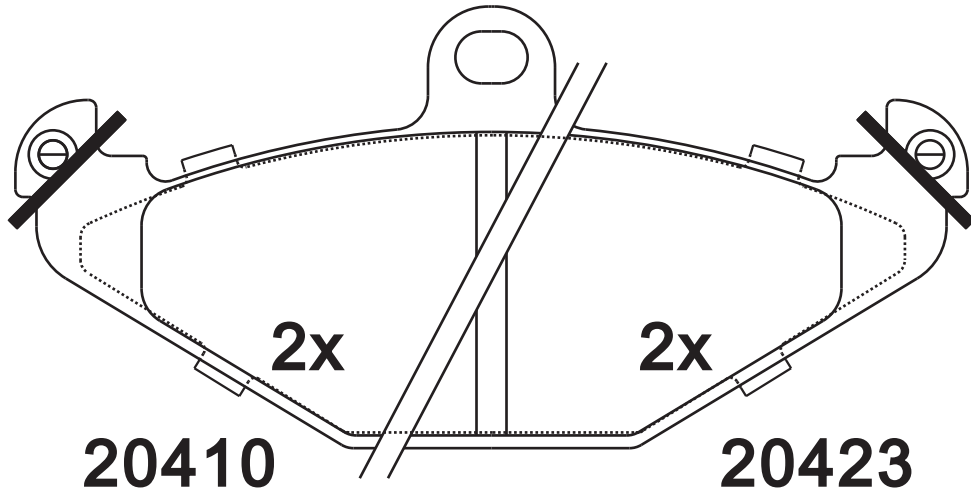
**Thickness
(mm)**

15



NOTE

2 identical with acoustic indicator(left),2 identical with acoustic indicator (right).



Apply for:

Renault Laguna I

Hatchback

11.93-03.01

SR0291.02

**Dimension
(mm)**

125.9×58.4

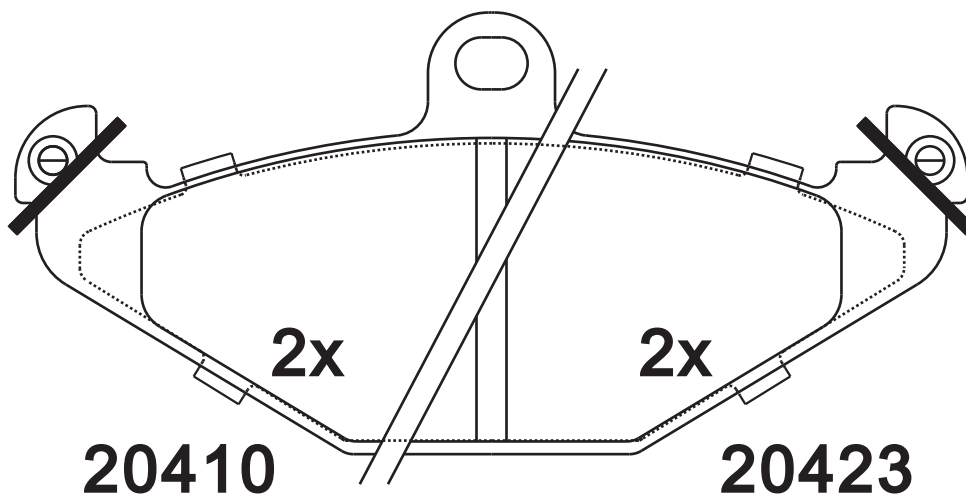
**Thickness
(mm)**

13



NOTE

2 identical with acoustic indicator(left),2 identical with acoustic indicator (right).



Apply for:

Renault Laguna I

Hatchback

11.93-03.01

SR0292.01

**Dimension
(mm)**

127×49.5

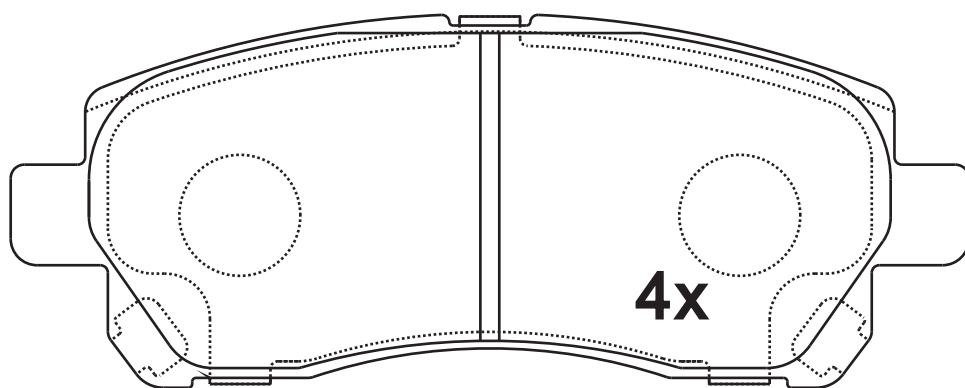
**Thickness
(mm)**

15.3



NOTE

4 identical;



D1471

Apply for:

Daihatsu Xenia

Hatchback

05.07-

SR0292.02

**Dimension
(mm)**

127×49.5

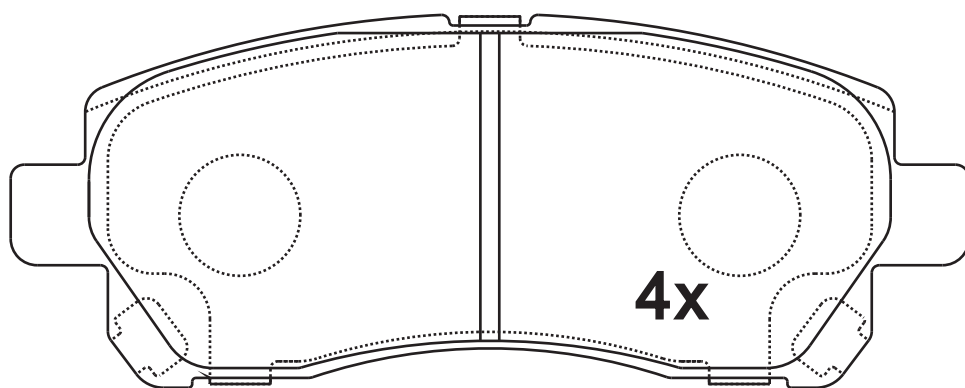
**Thickness
(mm)**

14.5



NOTE

4 identical;



D1471

Apply for:

Daihatsu Xenia

Hatchback

05.07-

SR0293.01

**Dimension
(mm)**

146.8×53.2

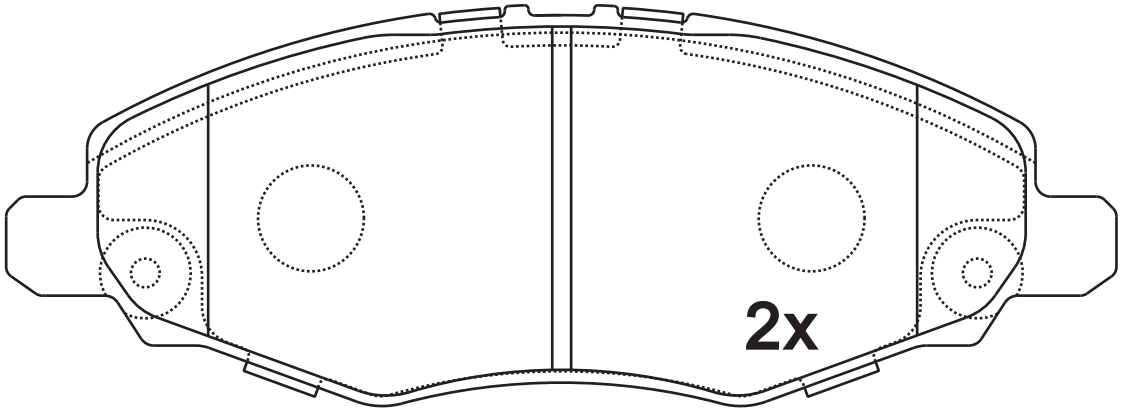
**Thickness
(mm)**

16.5

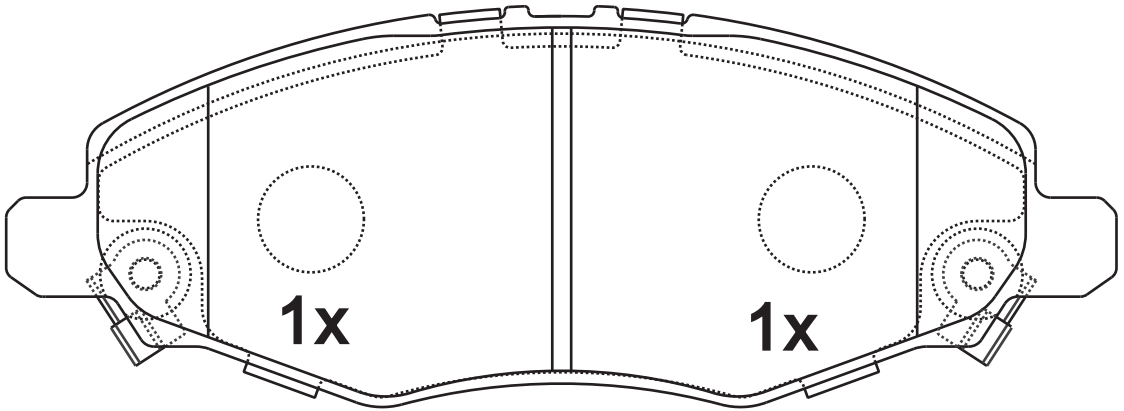


NOTE

4 identical, 1 with
acoustic indicator (left),
1 with acoustic indicator
(right).



24523



24634

1x

1x

24633

Apply for:

Toyota Hilux III

Pickup

08.05-

SR0294.01

**Dimension
(mm)**

137×52.2

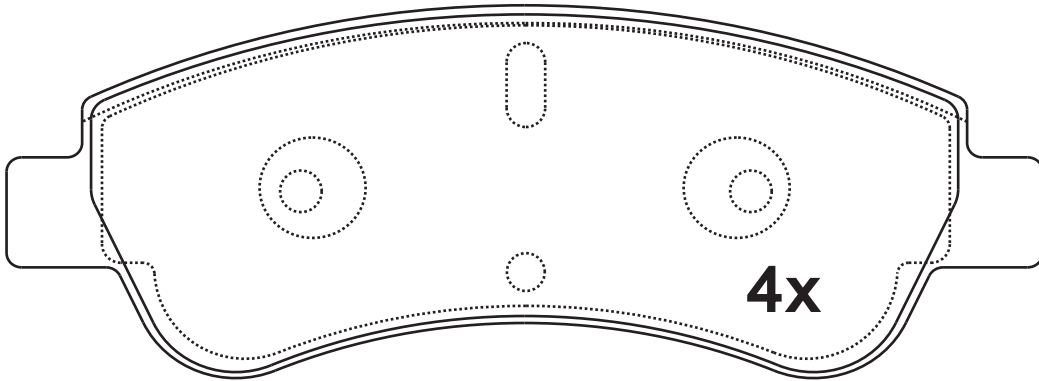
**Thickness
(mm)**

19



NOTE

4 identical;



23599

Apply for:

Citroen C2	Hatchback	09.03-
Citroen C3 I	Hatchback	02.02-
Citroen C4 I	Hatchback	11.04-
Citroen C4	Coupe	11.04-
Citroen Xsara Picasso	MPV	12.99-
Peugeot 206	Hatchback	06.00-
Peugeot 206	Saloon	03.07-
Peugeot 207	Hatchback	02.06-
Peugeot 207	Estate	06.07-
Peugeot 1007	Hatchback	04.05-

SR0294

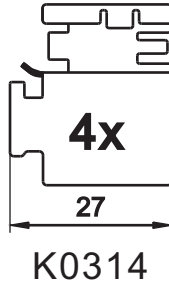
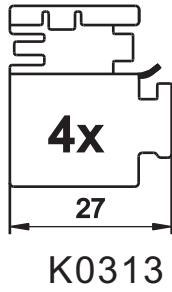
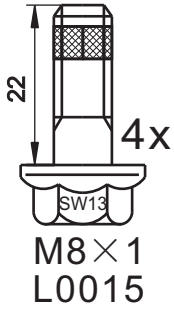
**Dimension
(mm)**

**Thickness
(mm)**



NOTE

**附件包
Accessory bag**



FJB0373.01

SR0295.01

**Dimension
(mm)**

104.3×62.1

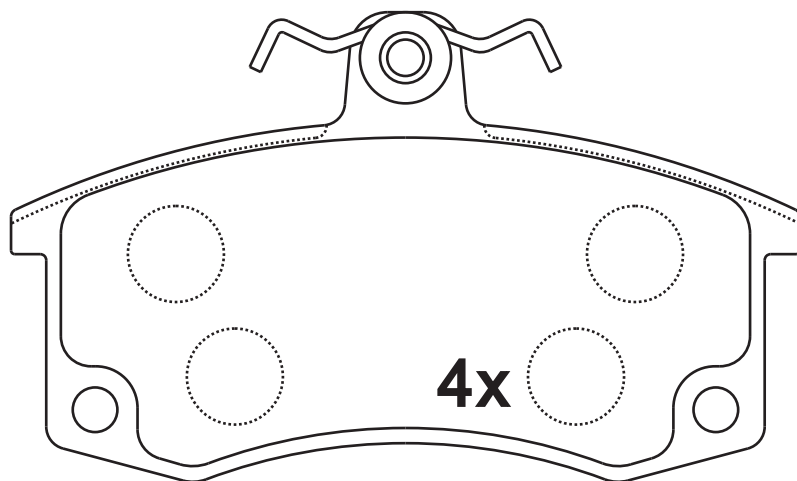
**Thickness
(mm)**

17.5

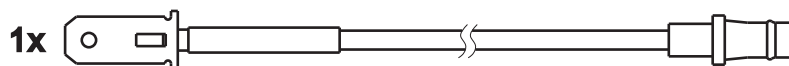
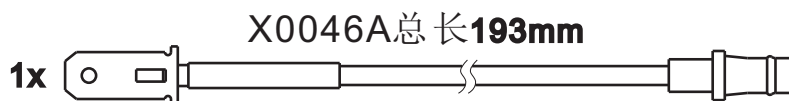


NOTE

4 identical;



23671



Apply for:

Lada 110	Saloon	01.95-
Lada 111	Saloon	01.95-
Lada 112	Saloon	01.95-
Lada Samara	Saloon	01.86-

SR0296.01

**Dimension
(mm)**

104×67

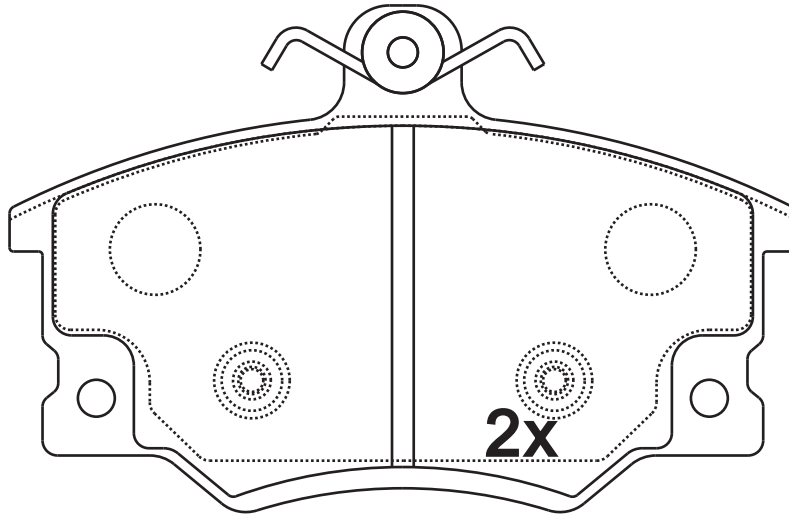
**Thickness
(mm)**

17

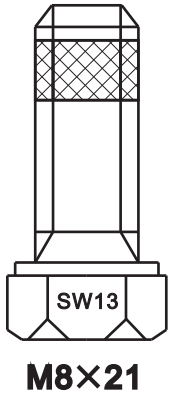


NOTE

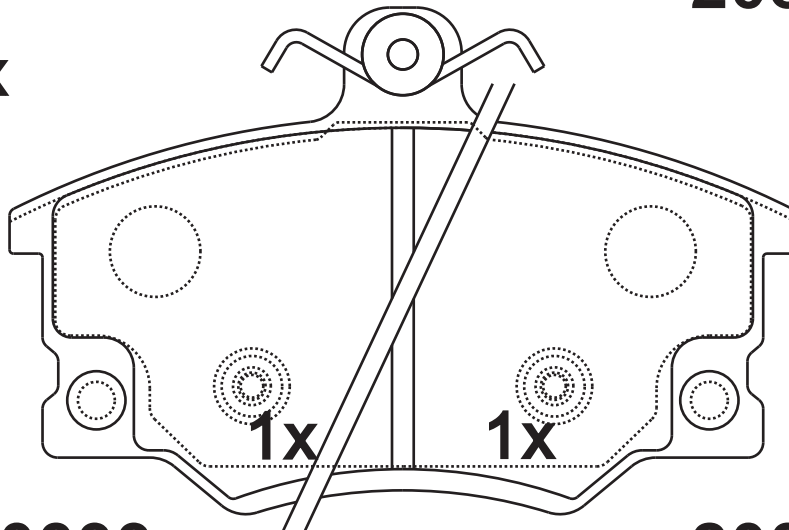
**4 identical, 1 with screw
(left), 1 with screw (right).**



20838



2x



20833

20834

Apply for:

Fiat Tempra
Fiat Tempra

Saloon
Estate

04.90-08.96
10.90-08.96

SR0296.02

**Dimension
(mm)**

104×67

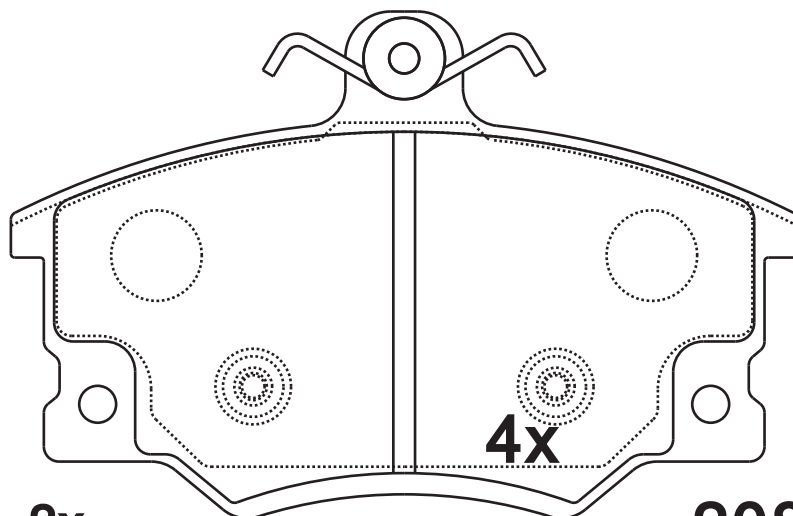
**Thickness
(mm)**

17



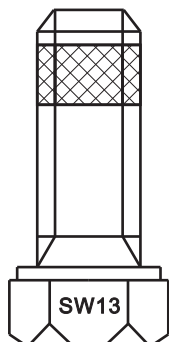
NOTE

4 identical;



20838

2x



M8×21

Apply for:

Fiat Tempra
Fiat Tempra

Saloon
Estate

04.90-08.96
10.90-08.96

SR0296.03

**Dimension
(mm)**

**Thickness
(mm)**

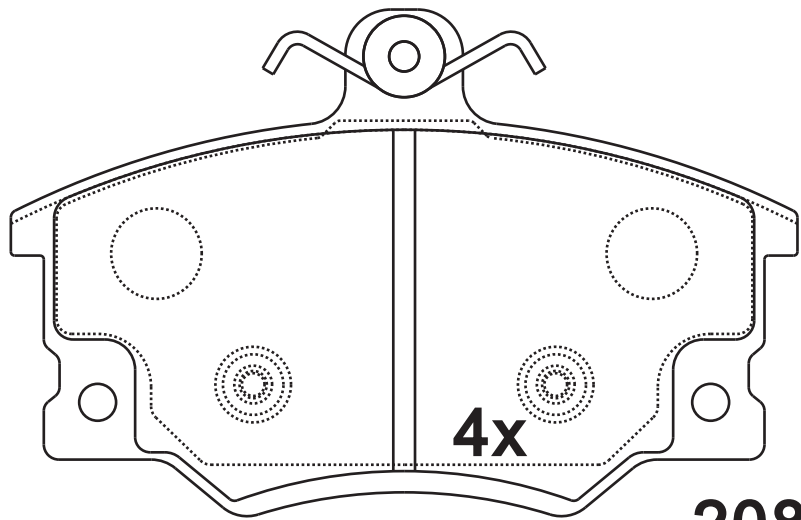


NOTE

**4 identical, 1 with screw
(left), 1 with screw (right).**

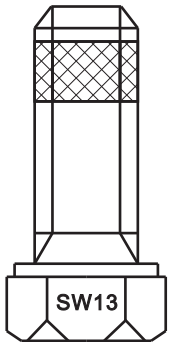
104×67

17



20838

2x



M8×21





B0206

Apply for:

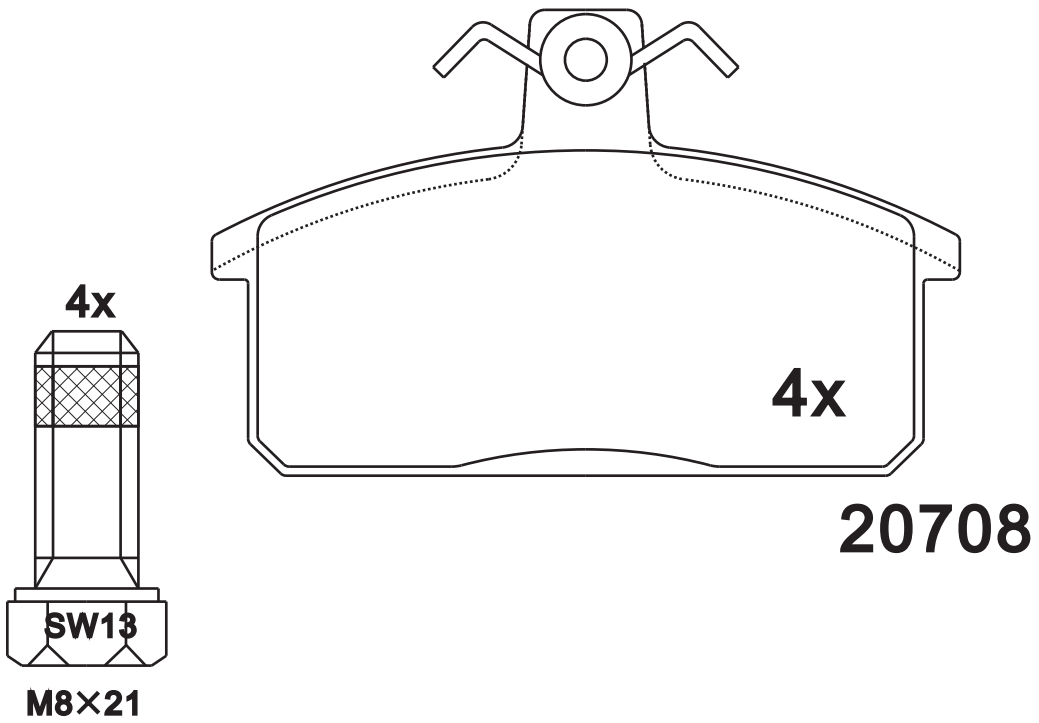
Fiat Tempra
Fiat Tempra

Saloon
Estate

04.90-08.96
10.90-08.96

SR0297.01	Dimension (mm)	Thickness (mm)		NOTE
	98.9×61.6	15.8		4 identical;

无模具



Apply for:

Lancia Delta
Seat Fura

Saloon
Saloon

09.79-01.94
01.82-12.86

SR0297.02

**Dimension
(mm)**

98.9×61.6

**Thickness
(mm)**

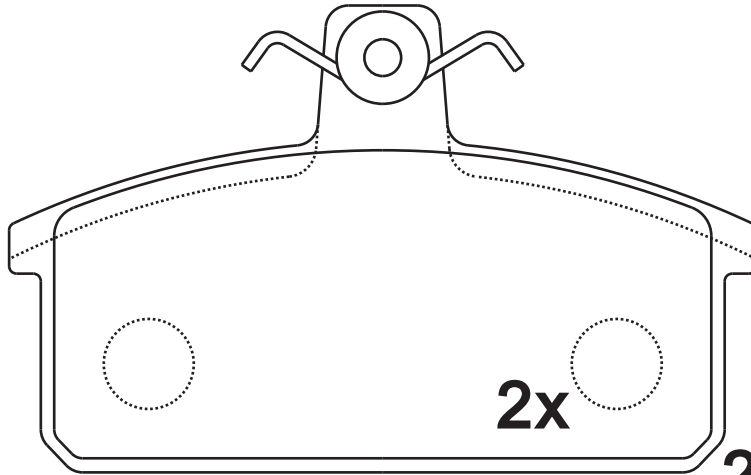
16.4



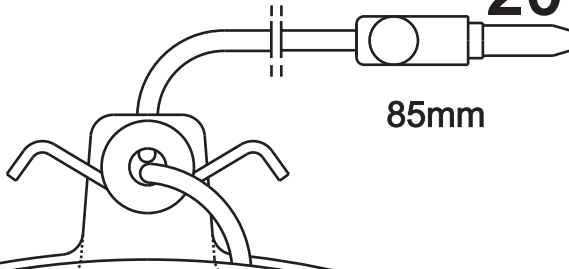
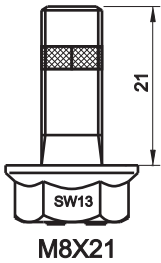
NOTE

4 identical, 2 with indicator.

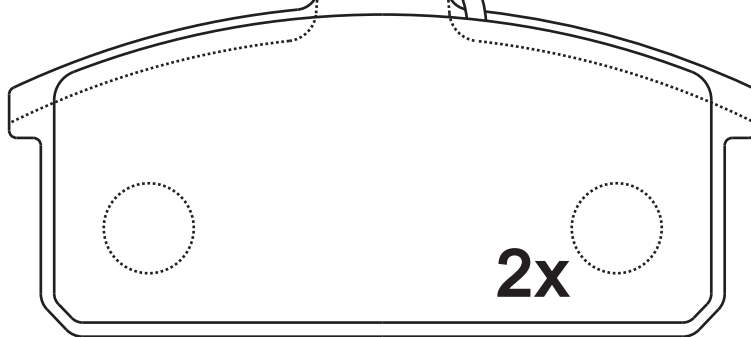
无模具



20708



85mm



20946

Apply for:
Seat Malaga

1984/11-1993/12

SR0298.01

**Dimension
(mm)**

108.2×42.2

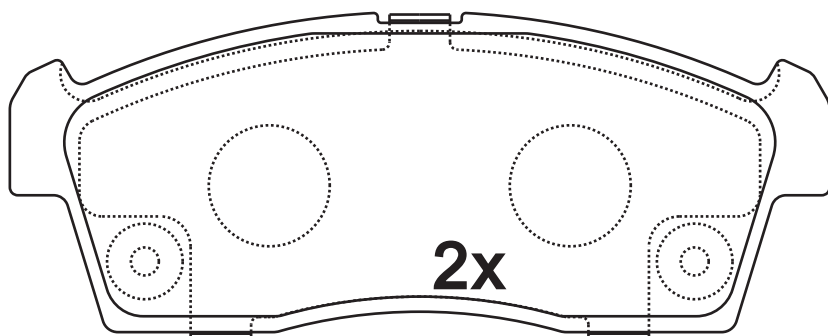
**Thickness
(mm)**

15

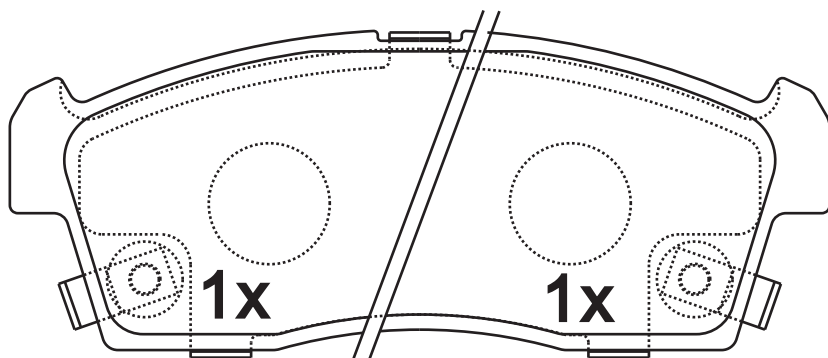


NOTE

4 identical, 1 with
acoustic indicator(left),
1 with acoustic indicator
(right).



24423



25231

25230

Apply for:

Mitsubishi I

Hatchback

07.09-

SR0298.02

**Dimension
(mm)**

108.4×42.2

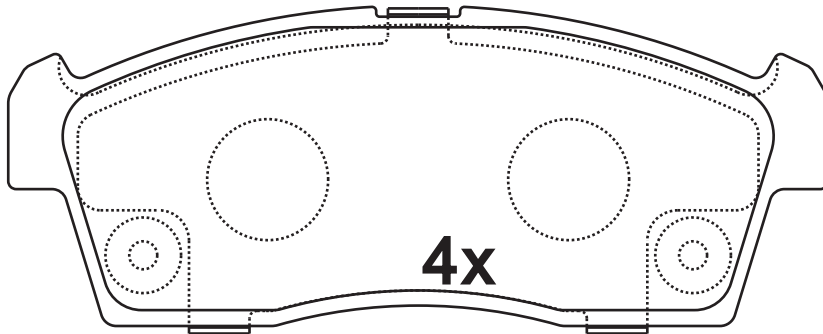
**Thickness
(mm)**

15



NOTE

4 identical;



24423

Apply for:

Mitsubishi I

Hatchback

07.09-

SR0299.01

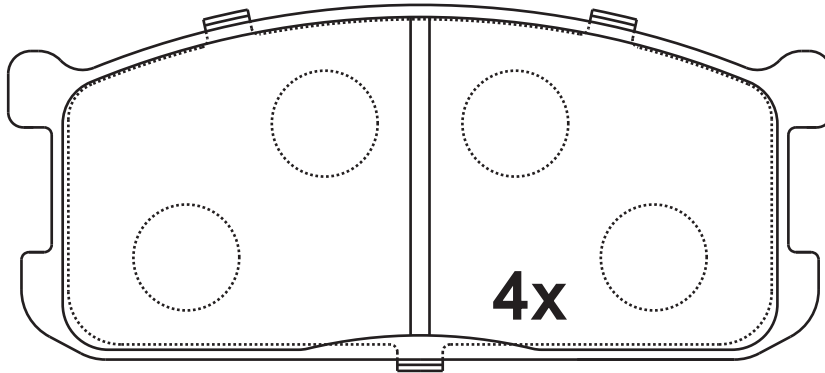
**Dimension
(mm)**

**Thickness
(mm)**



NOTE

4 identical;





20724

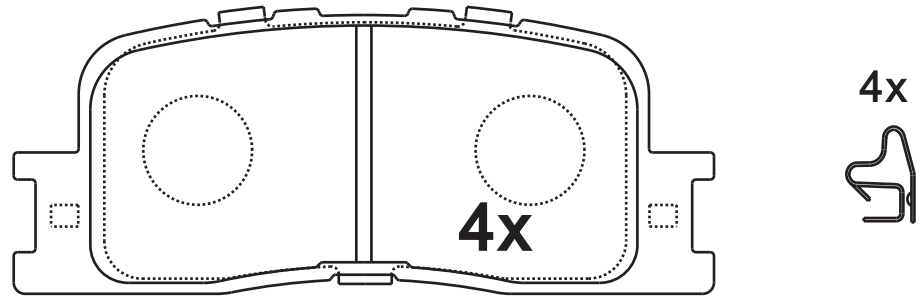
Apply for:

Mitsubishi Lancer IV
Mitsubishi Lancer IV

Hatchback
Saloon

05.88-05.90
05.88-05.90

SR0300.01	Dimension (mm)	Thickness (mm)		NOTE
	92.6×37.7	15.7		4 identical;



23702

Apply for:

Lexus ES
Toyota Wish

Saloon
MPV

08.01-10.06
04.03-

SR0301.01

**Dimension
(mm)**

**Thickness
(mm)**

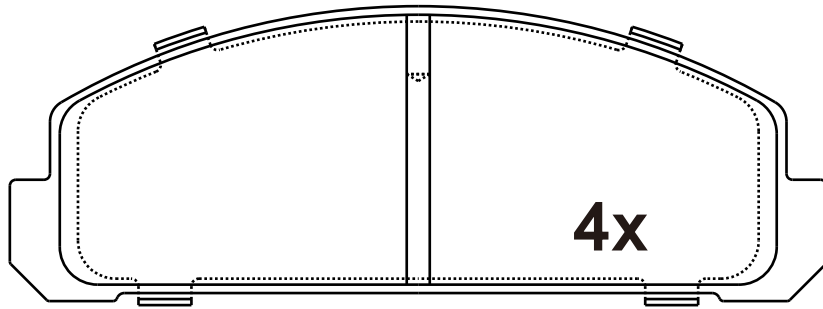


NOTE

4 identical;

108×39

14



20564

Apply for:

Mazda 323 I

Saloon

01.77-11.82

Mazda 323 I

Station Wagon

05.78-05.86

Mazda 323 II

Saloon

10.80-10.89

SR0302.01

**Dimension
(mm)**

**Thickness
(mm)**



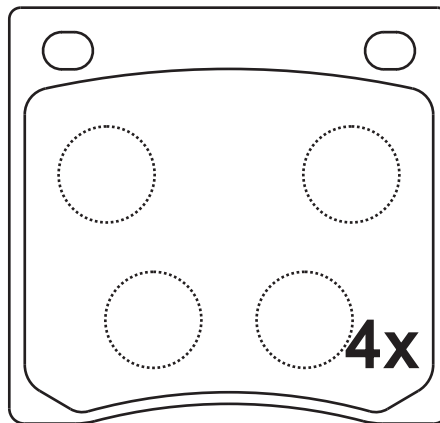
NOTE

4 identical;

58.1×55

14.5

无模具



20128

Apply for:

Honda Civic	Hatchback	07.72-09.83
Nissan Cherry	Saloon	09.70-09.78
Nissan Cherry	Coupe	08.78-12.82
Nissan Cherry	Hatchback	08.78-06.83
Nissan Cherry	Estate	08.78-12.83

SR0303.01

**Dimension
(mm)**

156.1×71.5
155×66.2

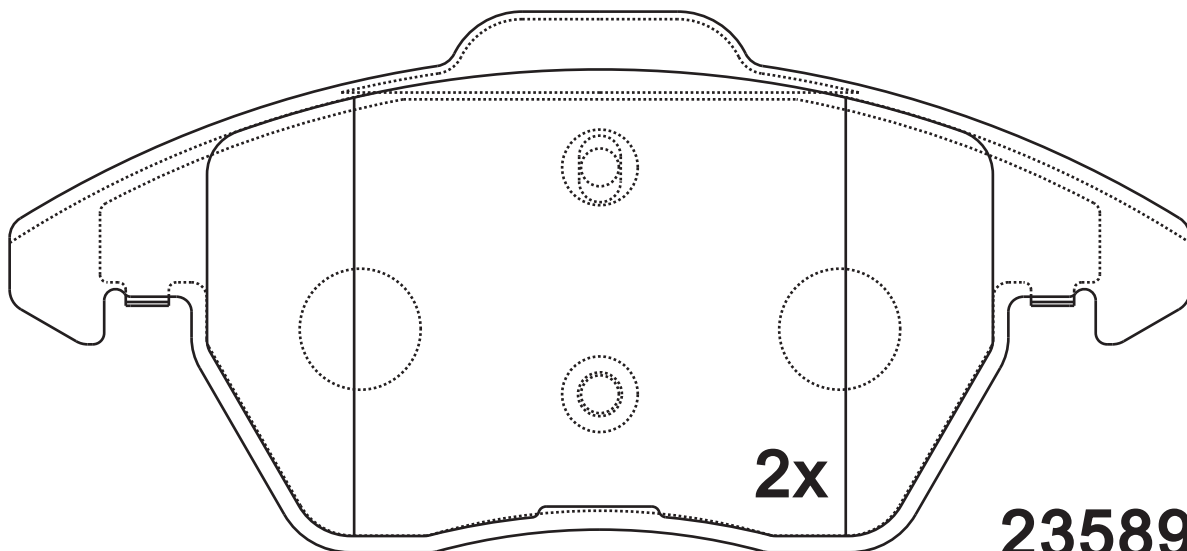
**Thickness
(mm)**

20.6

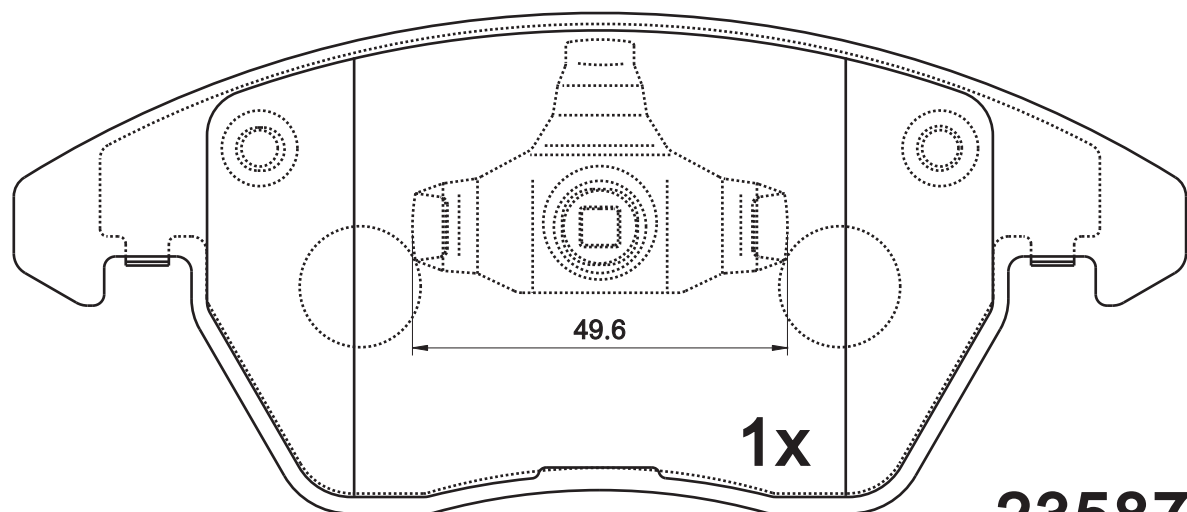


NOTE

2 identical; 2 identical,
1 with warn indicator:
155mm.



23589

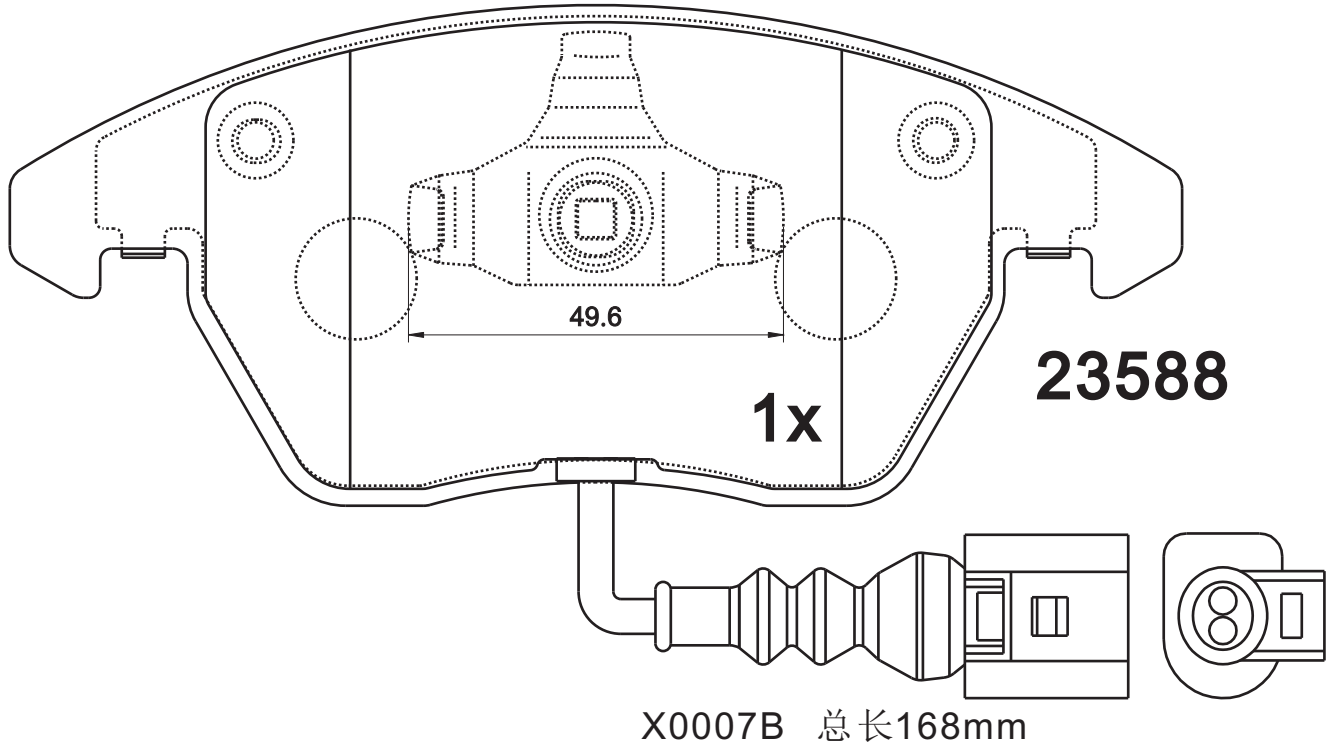


23587

Next Page.....

SR0303.01**Dimension
(mm)**156.1×71.5
155×66.2**Thickness
(mm)**

20.6

**NOTE****2 identical; 2 identical,
1 with warn indicator:
155mm.****Apply for:**

Audi A1	Hatchback	05.10-
Audi A3	Hatchback	09.04-03.13
Audi A3	Convertible	04.08-05.13
Seat Altea XL	MPV	10.06-
Seat Ibiza V	Hatchback	06.09-
Seat Leon	Hatchback	05.05-
Volkswagan Beetle	Hatchback	04.11-
Volkswagan EOS	Convertible	03.06-
Volkswagan Golf V	Hatchback	10.03-02.09
Volkswagan Golf V	Estate	06.07-07.09
Volkswagan Golf VI	Hatchback	10.08-11.12
Volkswagan Golf VI	Estate	07.08-07.13
Volkswagan Golf Plus	Hatchback	01.05-
Volkswagan Passat	Saloon	03.05-07.10
Volkswagan Passat	Estate	08.05-10.11
Volkswagan Passat	Coupe	06.08-01.12
Volkswagan Scirocco	Coupe	05.08-
Volkswagan Touran	MPV	02.03-05.10

SR0303.02

**Dimension
(mm)**

156.1×71.5
155×66.2

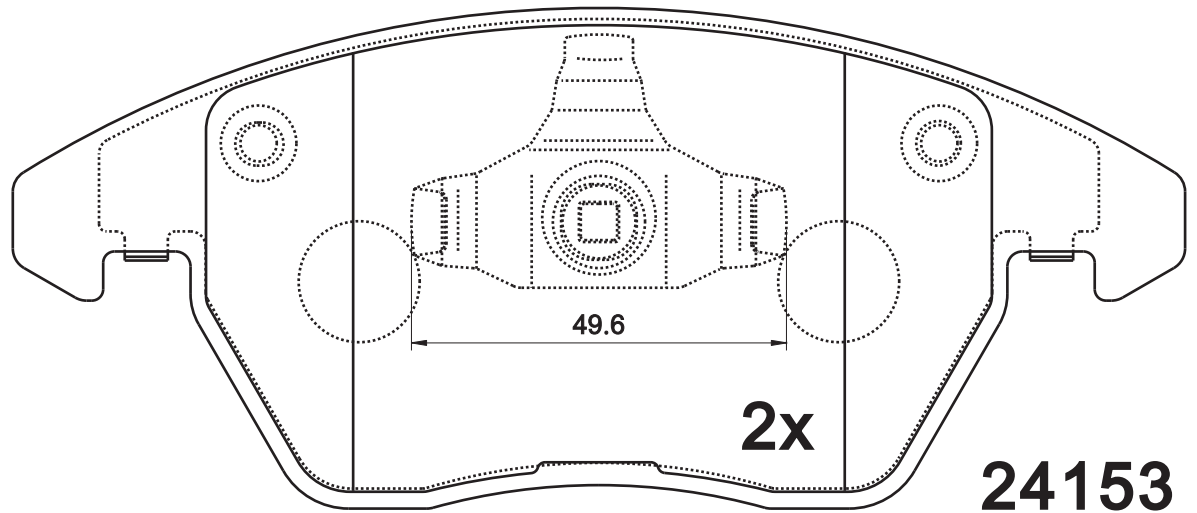
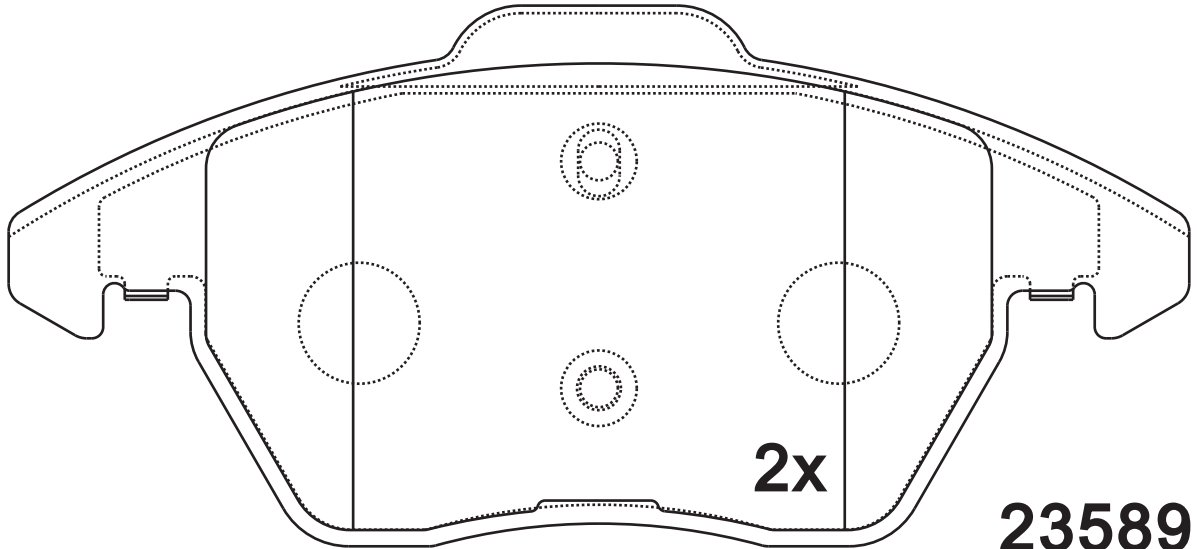
**Thickness
(mm)**

19



NOTE

2 identical;2 identical;



Apply for:

PEUGEOT 207 (Latin America)
PEUGEOT 308 (Latin America)

2007-2011
2009-2010

SR0303

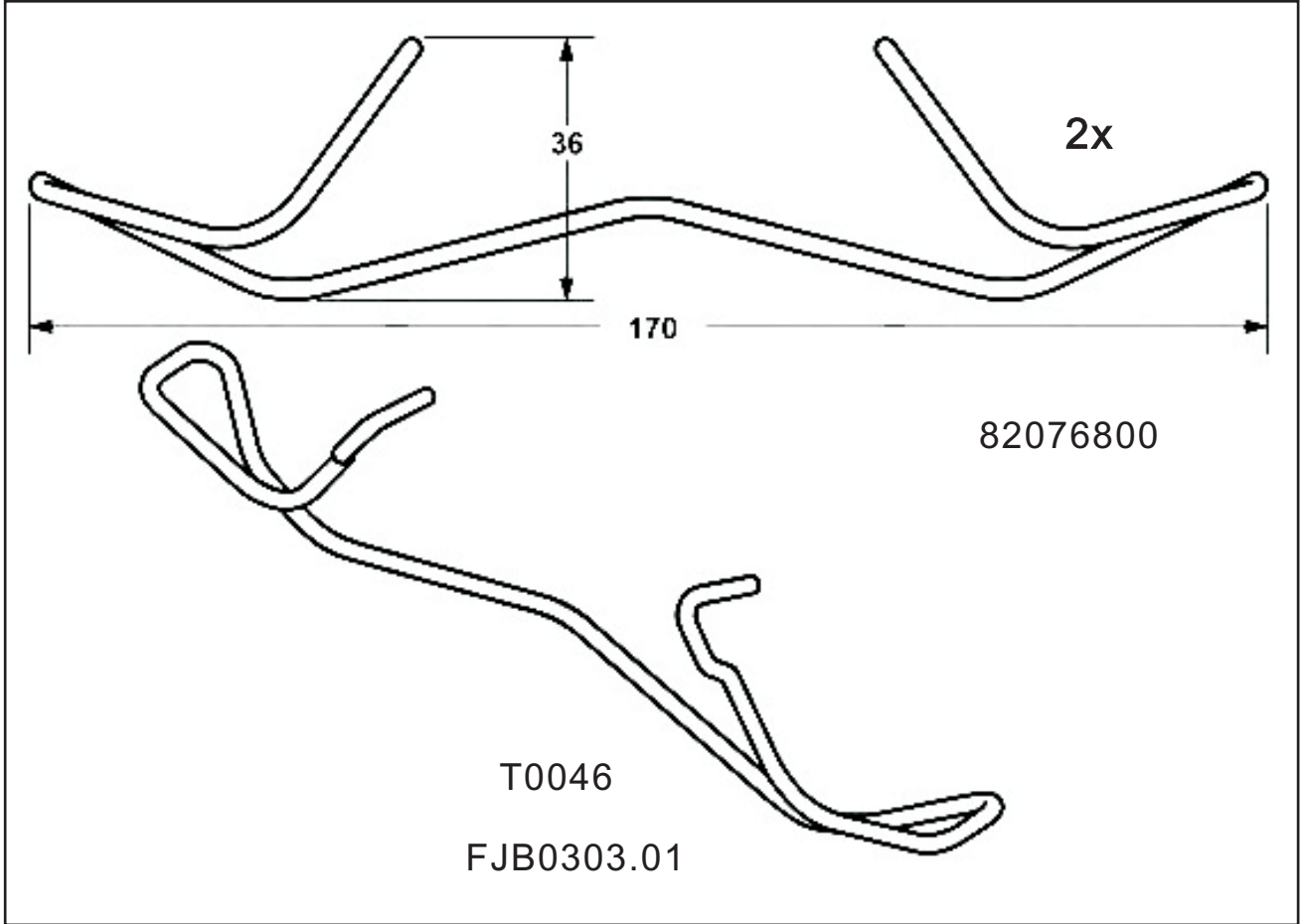
**Dimension
(mm)**

**Thickness
(mm)**



NOTE

附件包
Accessory kit



SR0304.01

**Dimension
(mm)**

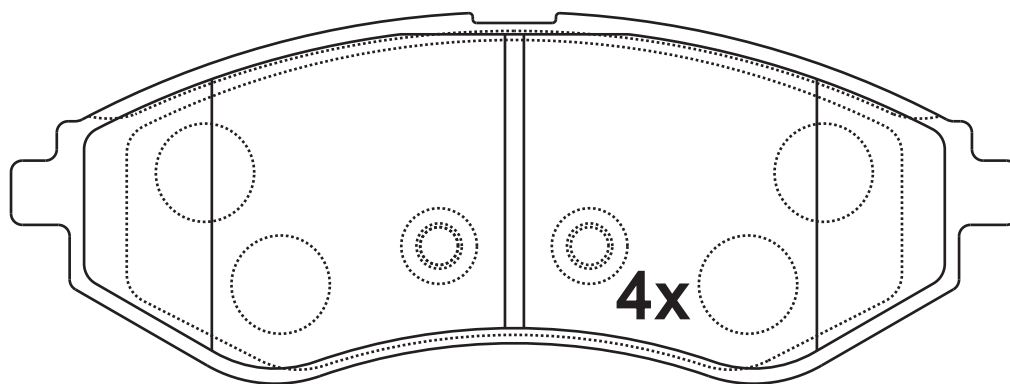
133.1×49

**Thickness
(mm)**

17.6



NOTE
4 identical;



23974

Apply for:

Daewoo Kalos

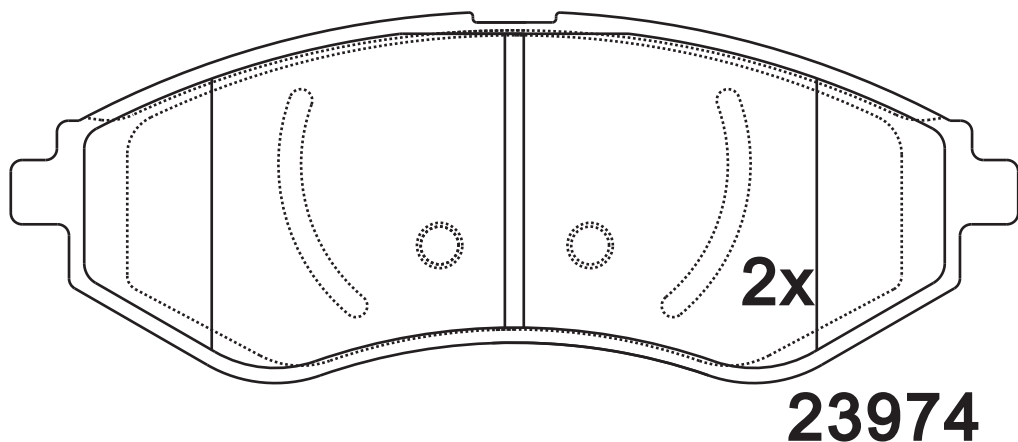
Saloon

11.02-12.04

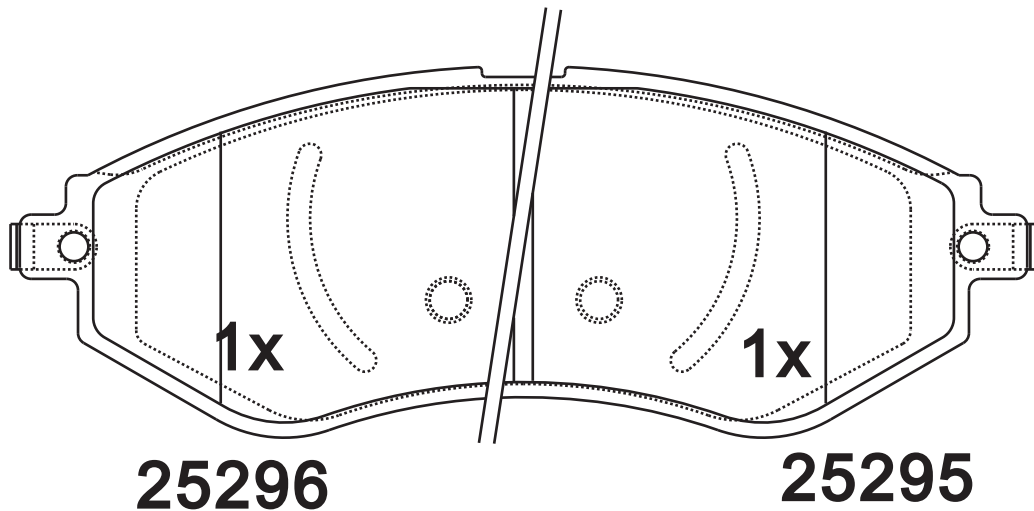
SR0304.02

Dimension (mm)	Thickness (mm)	
133.3×49	17.8	

NOTE
4 identical, 1 with acoustic indicator (left), 1 with acoustic indicator (right).



23974



25296

25295

Apply for:

- 雪佛兰 AVEO / KALOS Hatchback (T200) 1.2 2004-2008
- 雪佛兰 AVEO / KALOS Hatchback (T200) 1.4 2005-2008
- 雪佛兰 AVEO / KALOS Hatchback (T200) 1.4 16V 2005-2008
- 雪佛兰 AVEO / KALOS Hatchback (T200) 1.5 2005-2008

SR0304

**Dimension
(mm)**

**Thickness
(mm)**



NOTE

**附件包
Accessory bag**



82508400
K0411
FJB0304.01

SR0305.01

**Dimension
(mm)**

104.6×47

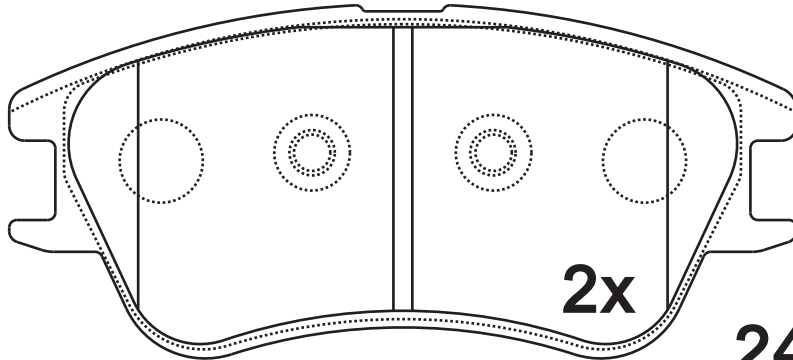
**Thickness
(mm)**

16

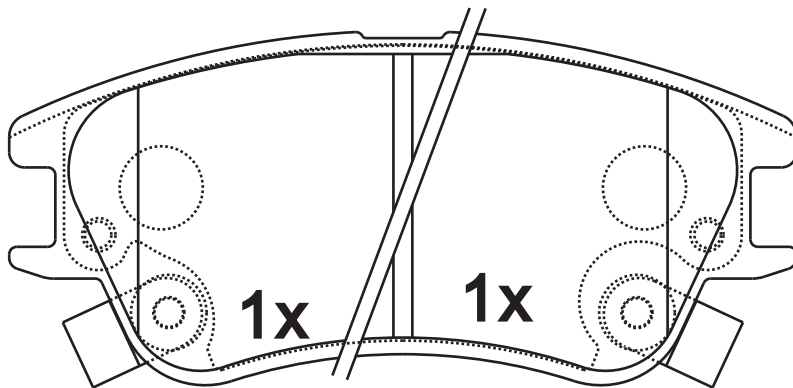


NOTE

4 identical, 1 with acoustic indicator(left), 1 with acoustic indicator(right).



24277



24398

24397

Apply for:

Hyundai Atos

Hatchback

02.98-

Hyundai Atos Prime

Hatchback

08.99-

SR0305

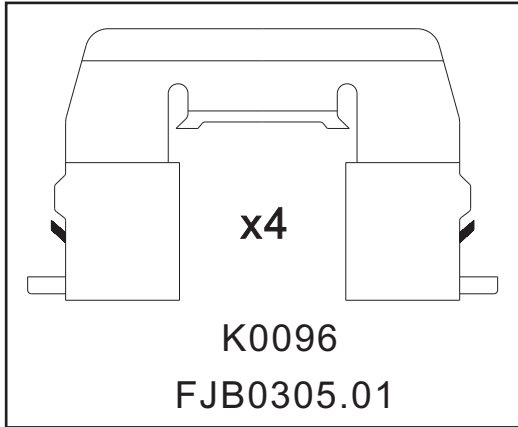
**Dimension
(mm)**

**Thickness
(mm)**



NOTE

**附件包
Accessory bag**



SR0306.01

**Dimension
(mm)**

151.1×48.9

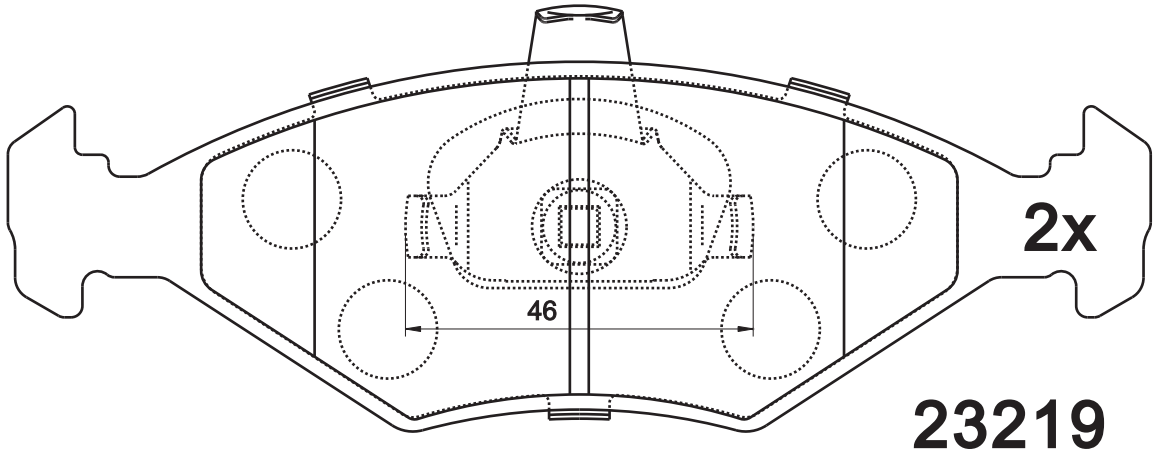
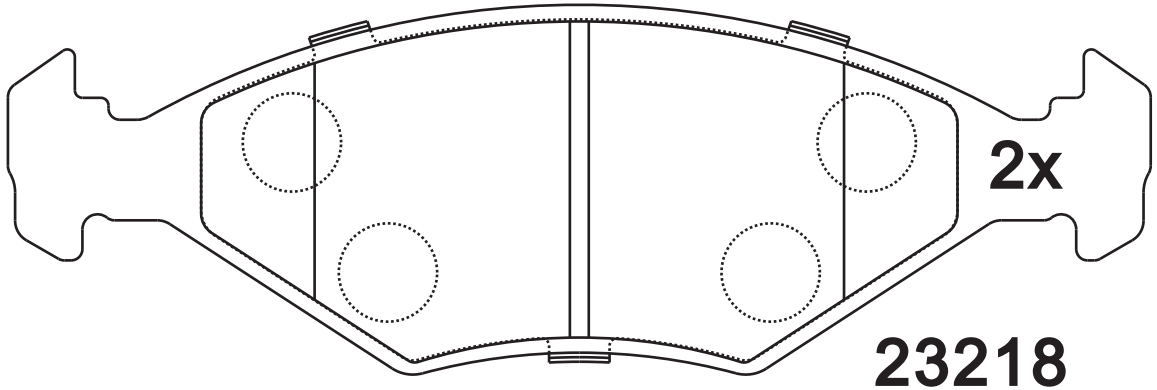
**Thickness
(mm)**

17.5



NOTE

4 identical, 2 with spring.



Apply for:

Fiat Palio
Fiat Siena

Hatchback
Saloon

04.96-
04.96-

SR0306.02

**Dimension
(mm)**

151.1×48.9

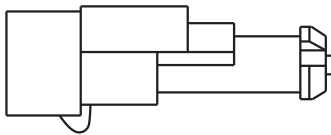
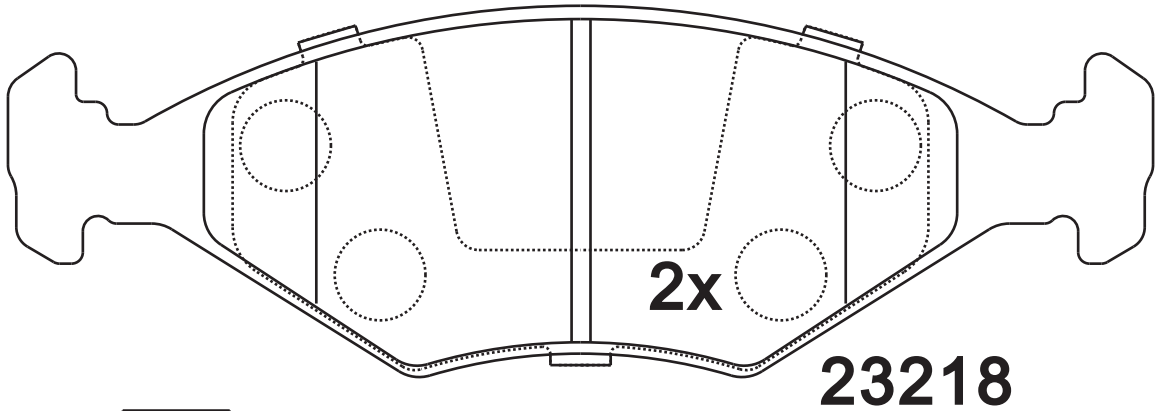
**Thickness
(mm)**

17.5

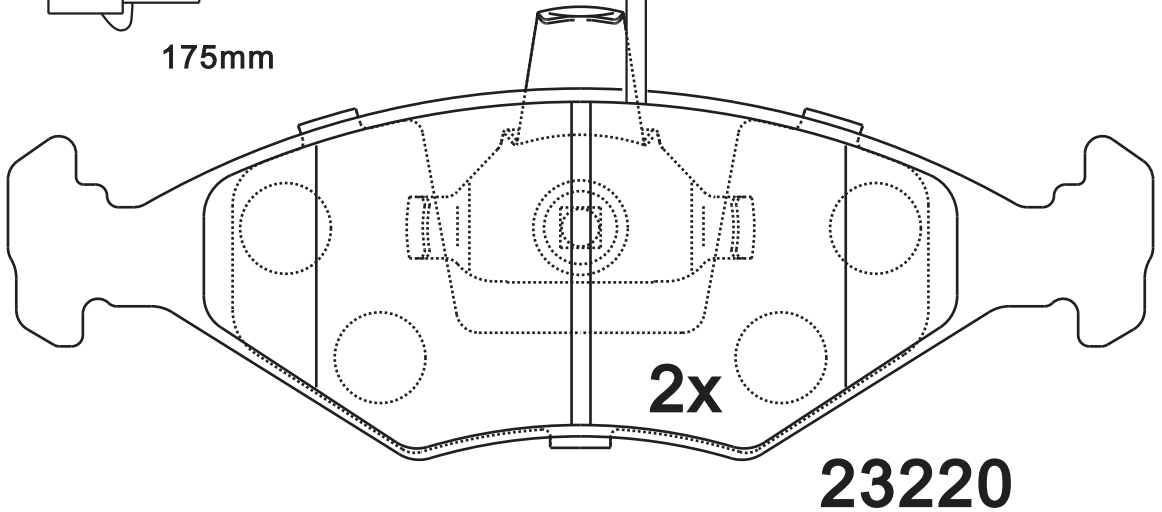


NOTE

4 identical, 2 with spring
and warn indicator:
175mm.



175mm



Apply for:

Fiat Palio
Fiat Siena

Hatchback
Saloon

04.96-
04.96-

SR0306.03

**Dimension
(mm)**

151.1×48.9

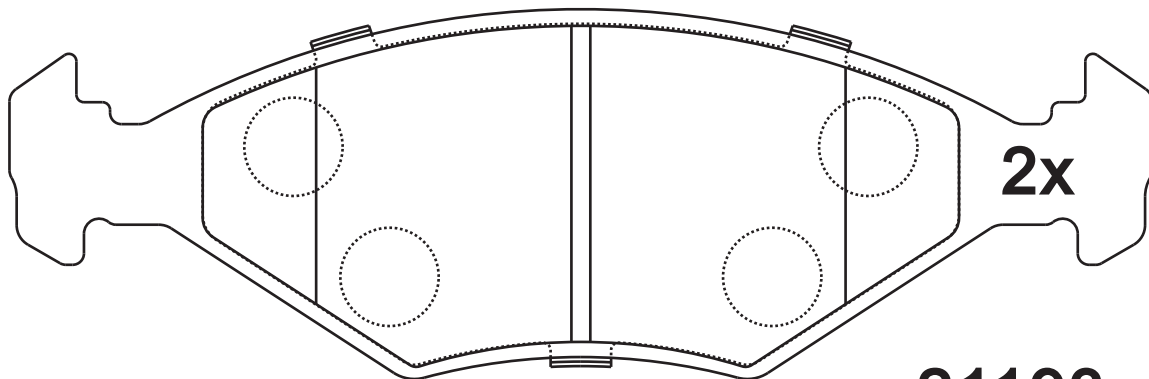
**Thickness
(mm)**

17.5

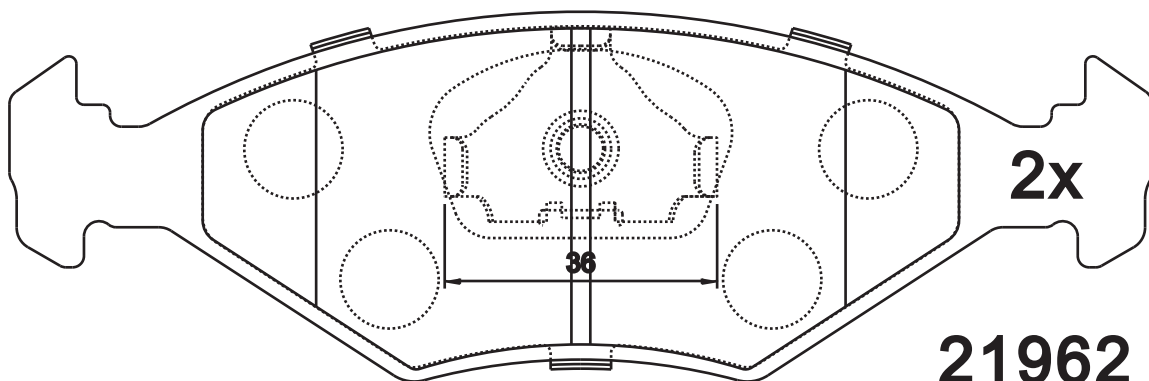


NOTE

4 identical, 2 with spring and warn indicator.



21193



21962

Apply for:

Volkswagen Fox
Volkswagen Fox Station Wagon

1987-1993
1987-1993

SR0306.04

**Dimension
(mm)**

151.1×48.9

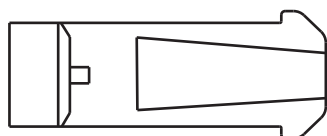
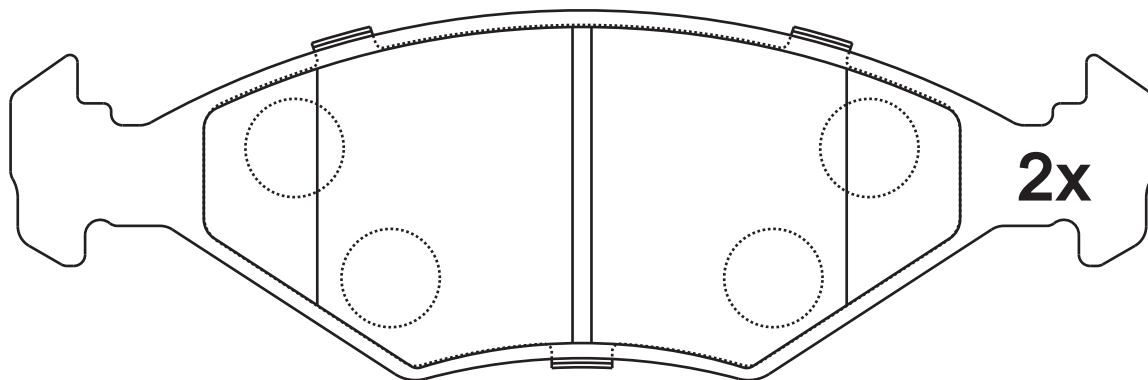
**Thickness
(mm)**

18

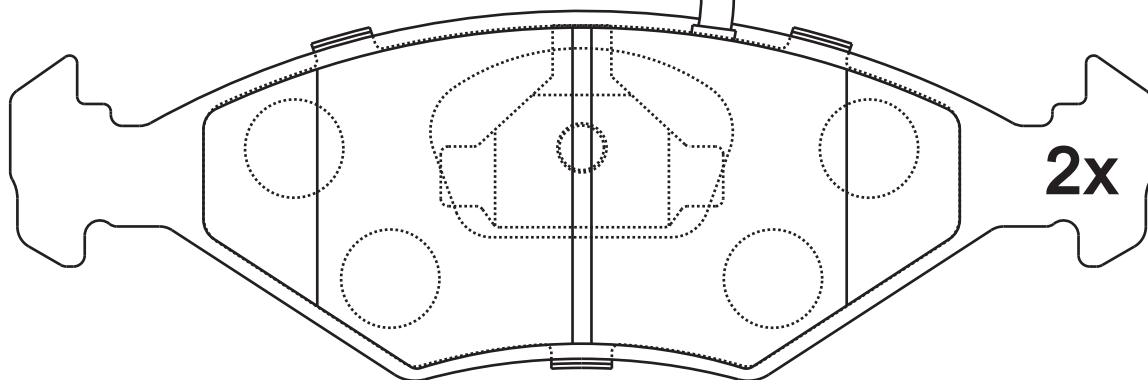


NOTE

4 identical, 2 with spring and warn indicator.



36855



Apply for:

Volkswagen Fox
Volkswagen Fox Station Wagon

1987-1993
1987-1993

SR0306.05

**Dimension
(mm)**

151.1×48.9

**Thickness
(mm)**

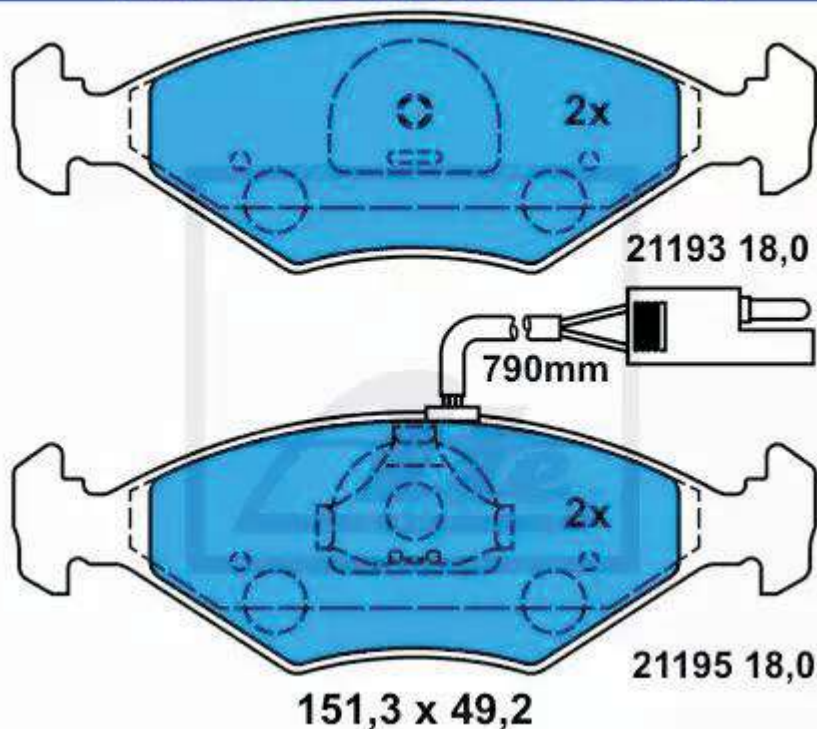
18



NOTE

4 identical, 2 with spring and warn indicator.

13.0460-5410.2 605410



21193 21195

Apply for:

菲亚特 杜纳四门轿车(146 B)

1987-1991

SR0307.01

**Dimension
(mm)**

121.1×45.6

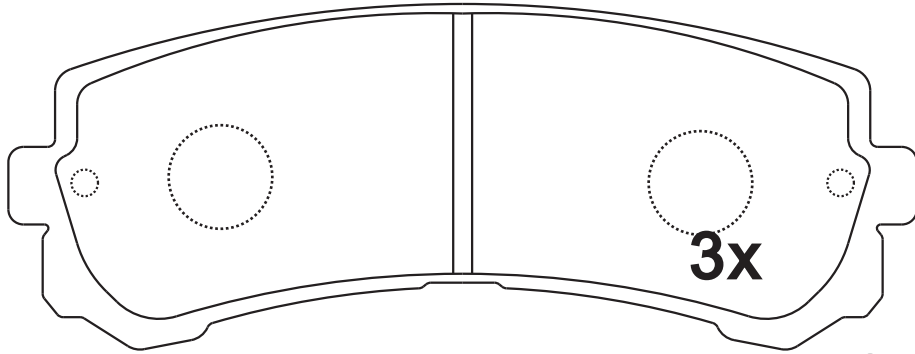
**Thickness
(mm)**

17

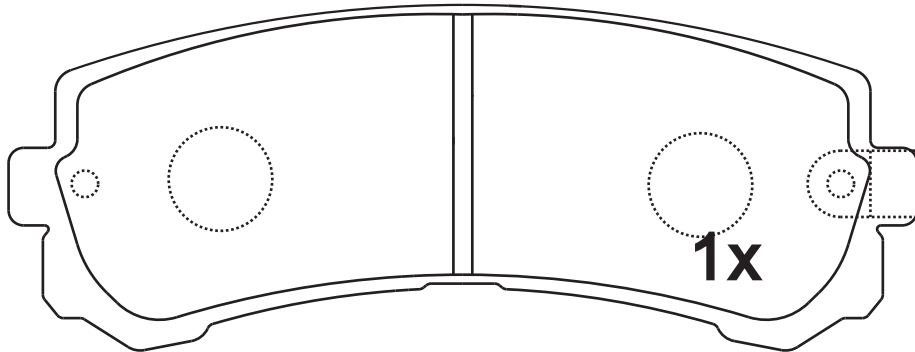


NOTE

4 identical, 1 with acoustic indicator(right).



24366



Apply for:

Nissan Patrol GR II

Wagon

03.00-

SR0308.01

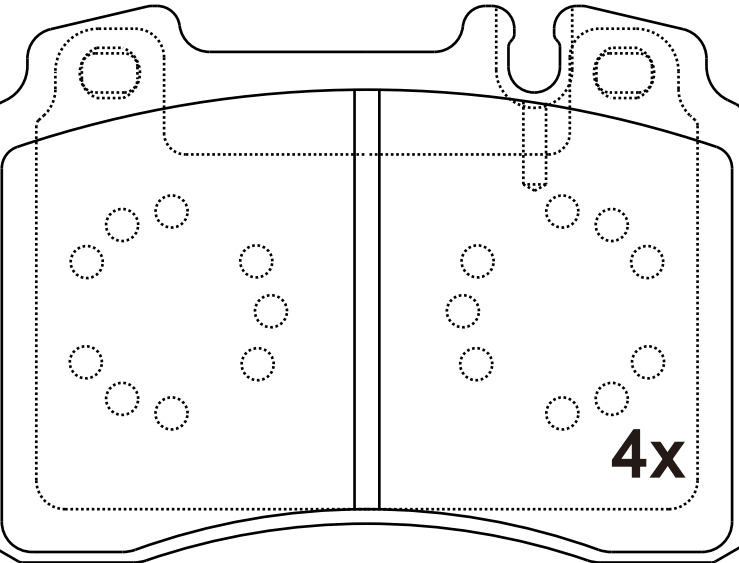
**Dimension
(mm)**

**Thickness
(mm)**

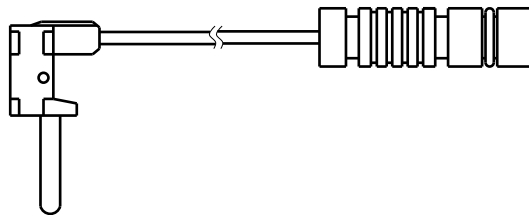


NOTE

4 identical;



21153



2x

Apply for:

Mercedes Cabriolet	Saloon	09.91-06.93
Mercedes E-class	Convertible	05.93-03.98
Mercedes E-class	Saloon	06.93-06.95
Mercedes E-class	Coupe	06.93-06.97
Mercedes E-class	Estate	06.93-06.96
Mercedes Kombi	Estate	09.85-06.93

SR0309.01

**Dimension
(mm)**

**Thickness
(mm)**

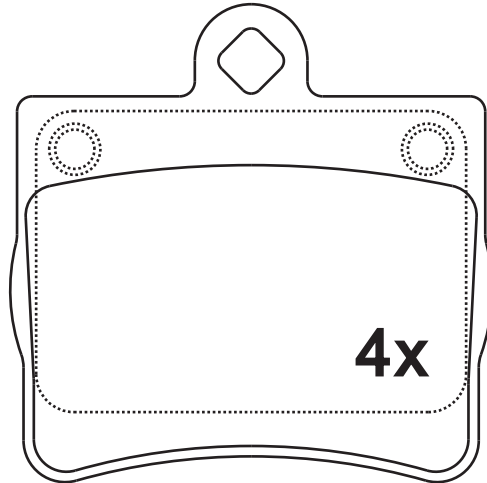


NOTE

4 identical;

63.7×63.2

15



21900



Apply for:

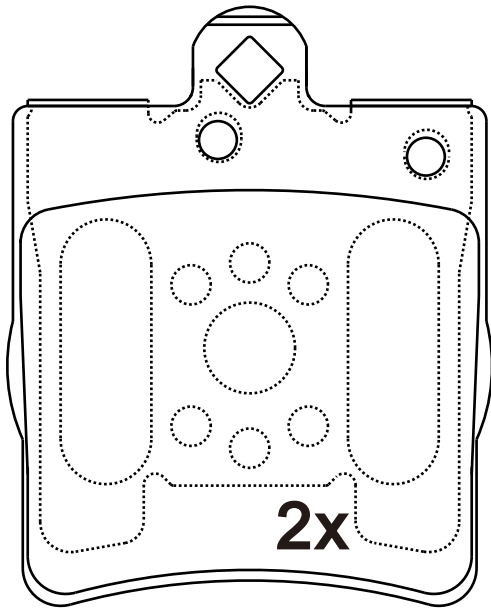
Mercedes C-class
Mercedes E-class

Saloon
Coupe

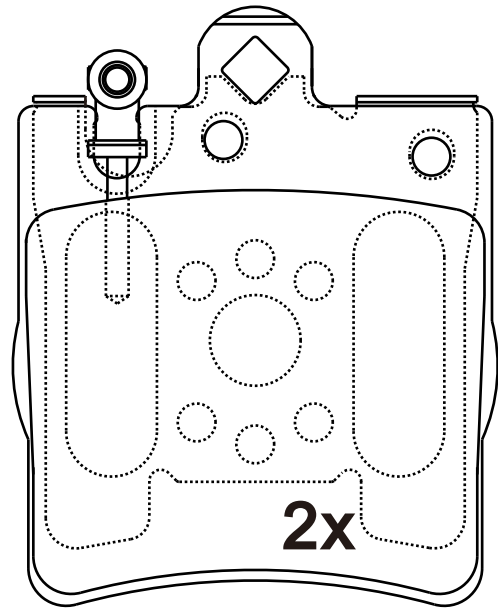
03.93-05.00
06.93-06.97

SR0310.01

Dimension (mm)	Thickness (mm)		NOTE 2 identical;2 identical;
63.9×78.6	15.3		



21898



21899

Apply for:

Mercedes	CLC-class	Coupe	05.08-06.11
Mercedes	CLK	Coupe	06.97-05.09
Mercedes	CLK	Convertible	02.03-03.10
Mercedes	SLK	Convertible	03.04-02.11

SR0310.02

**Dimension
(mm)**

**Thickness
(mm)**

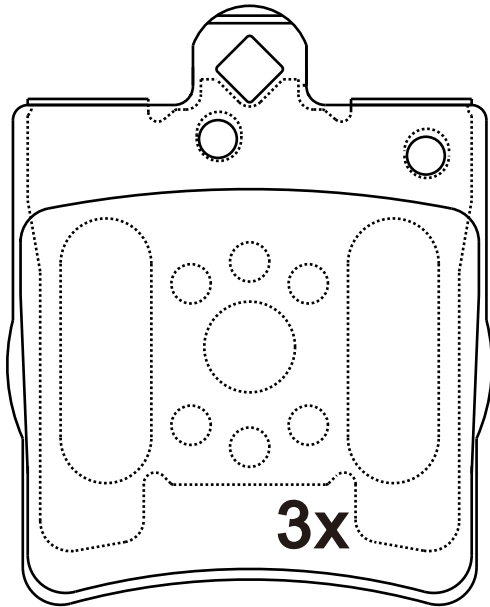


NOTE

**3 identical; 1 with warn
indicator;**

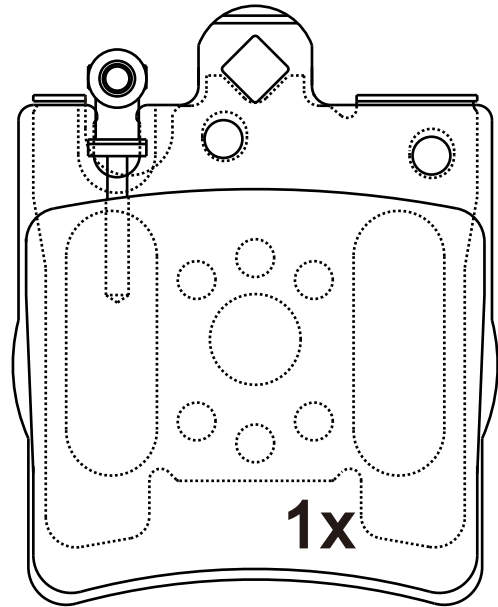
63.9×78.6

15.3



3x

21898



1x

21899

Apply for:

Mercedes	CLC-class	Coupe	05.08-06.11
Mercedes	CLK	Coupe	06.97-05.09
Mercedes	CLK	Convertible	02.03-03.10
Mercedes	SLK	Convertible	03.04-02.11

SR0310.03

**Dimension
(mm)**

**Thickness
(mm)**

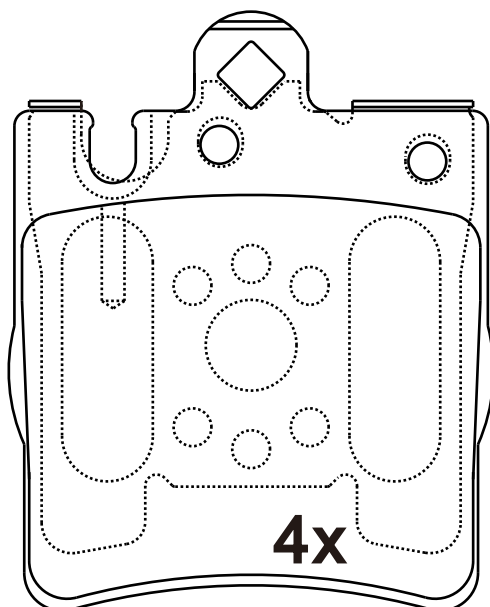


NOTE

4 identical;

63.9×78.6

15.3



21898

Apply for:

Mercedes	CLC-class	Coupe	05.08-06.11
Mercedes	CLK	Coupe	06.97-05.09
Mercedes	CLK	Convertible	02.03-03.10
Mercedes	SLK	Convertible	03.04-02.11

SR0310.04

**Dimension
(mm)**

**Thickness
(mm)**

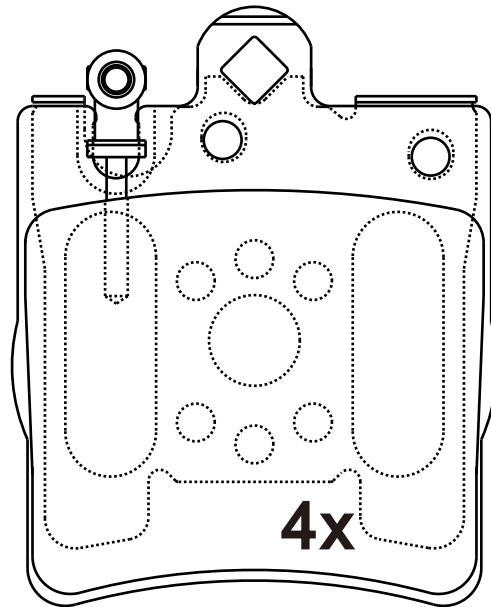


NOTE

4 identical;

63.9×78.6

15.3



21899

Apply for:

Mercedes	CLC-class	Coupe	05.08-06.11
Mercedes	CLK	Coupe	06.97-05.09
Mercedes	CLK	Convertible	02.03-03.10
Mercedes	SLK	Convertible	03.04-02.11

SR0310.05

**Dimension
(mm)**

63.9×78.6

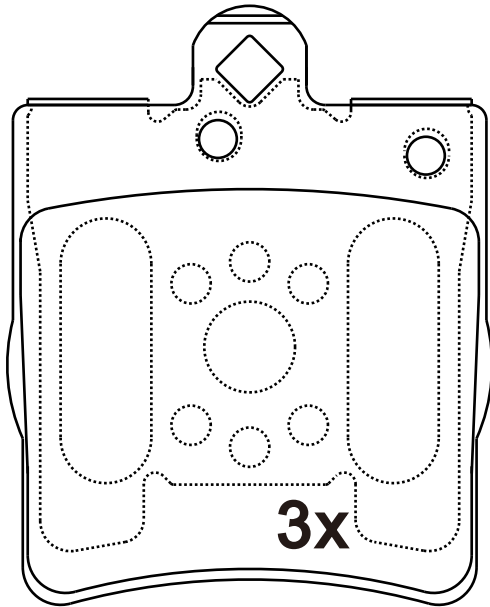
**Thickness
(mm)**

15.3



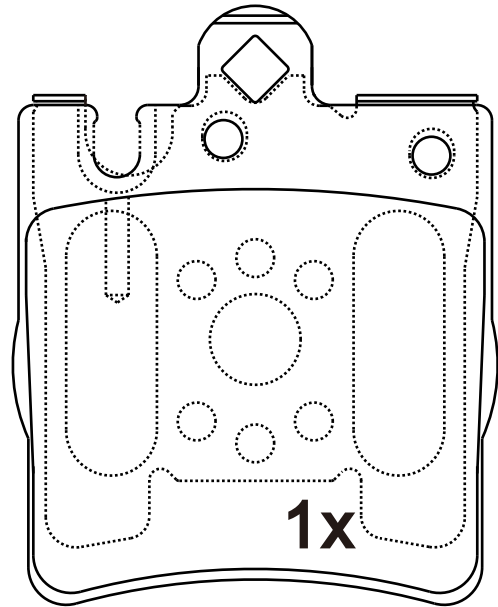
NOTE

**3 identical;1 with warn
indicator;**



3x

21898





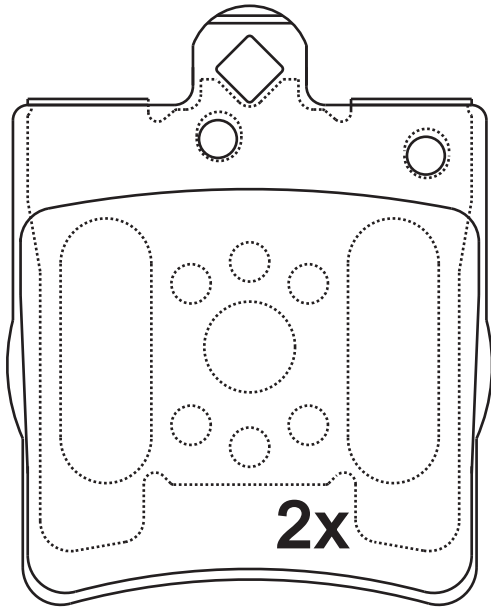
1x

21899

Apply for:

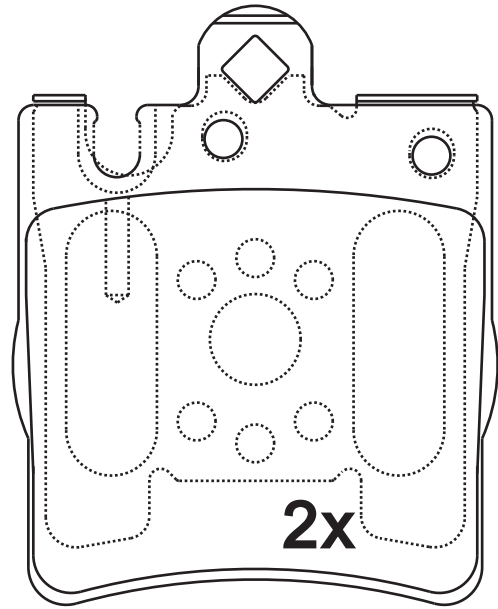
Mercedes	CLC-class	Coupe	05.08-06.11
Mercedes	CLK	Coupe	06.97-05.09
Mercedes	CLK	Convertible	02.03-03.10
Mercedes	SLK	Convertible	03.04-02.11

SR0310.06	Dimension (mm)	Thickness (mm)		NOTE 2 identical;2 identical;
	63.9×78.6	15.3		



2x

21898



2x

21899

Apply for:

Mercedes	CLC-class	Coupe	05.08-06.11
Mercedes	CLK	Coupe	06.97-05.09
Mercedes	CLK	Convertible	02.03-03.10
Mercedes	SLK	Convertible	03.04-02.11

SR0311.01

**Dimension
(mm)**

206.2×74.6

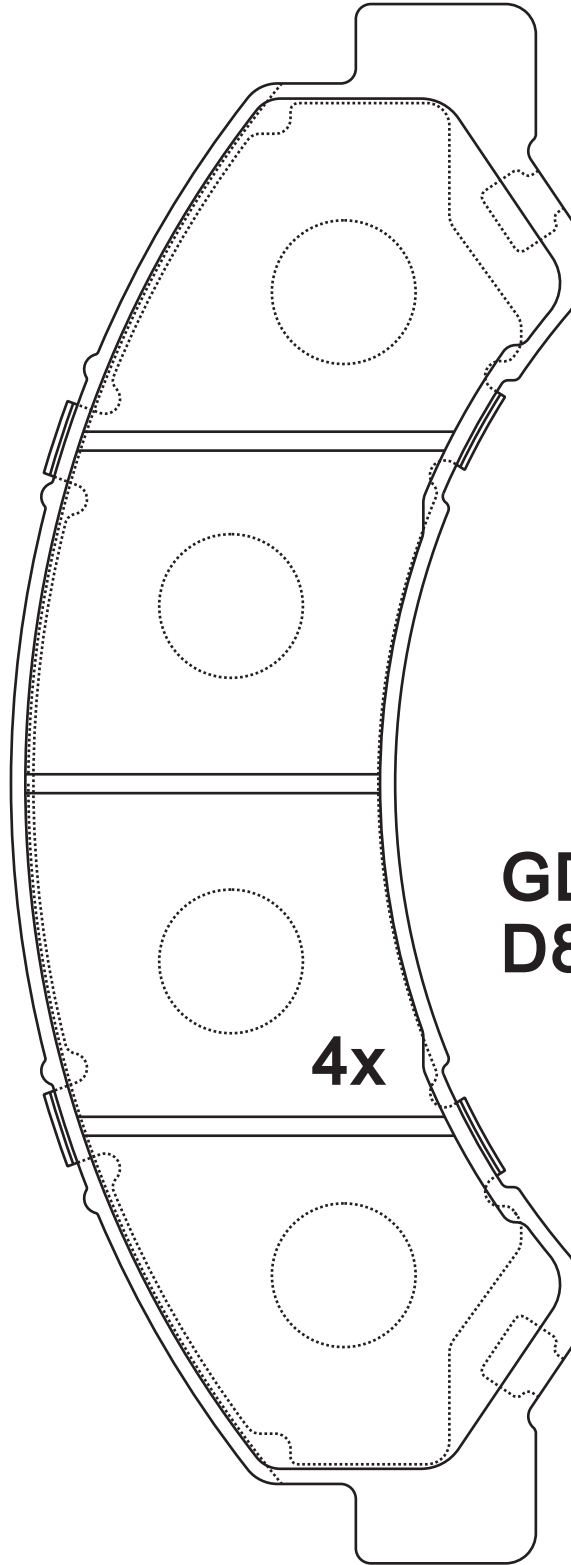
**Thickness
(mm)**

20



NOTE

4 identical;



**GDB7233
D825/D1732**

4x



2x

Apply for:

Isuzu N-serie

Truck

09.93-

SR0312.01

**Dimension
(mm)**

122.7×48.2

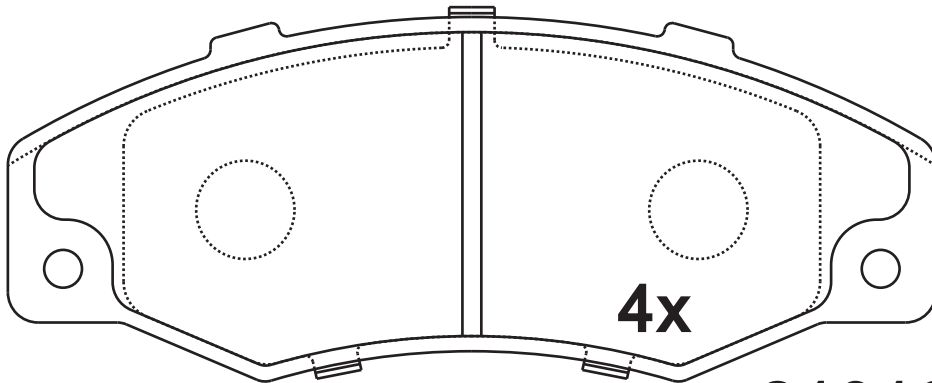
**Thickness
(mm)**

17



NOTE

4 identical;



21016

(21086)
(21087)

Apply for:

Renault 21
Renault 21
Renault 21

Hatchback
Saloon
Estate

09.89-06.94
03.86-06.94
03.86-06.94

SR0312

**Dimension
(mm)**

**Thickness
(mm)**

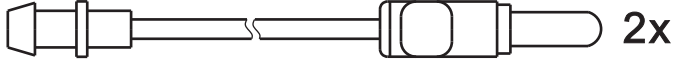


NOTE

**附件包
Accessory bag**



X0189A 总长380mm



FJB2X0189A

SR0313.01

**Dimension
(mm)**

126.1×63

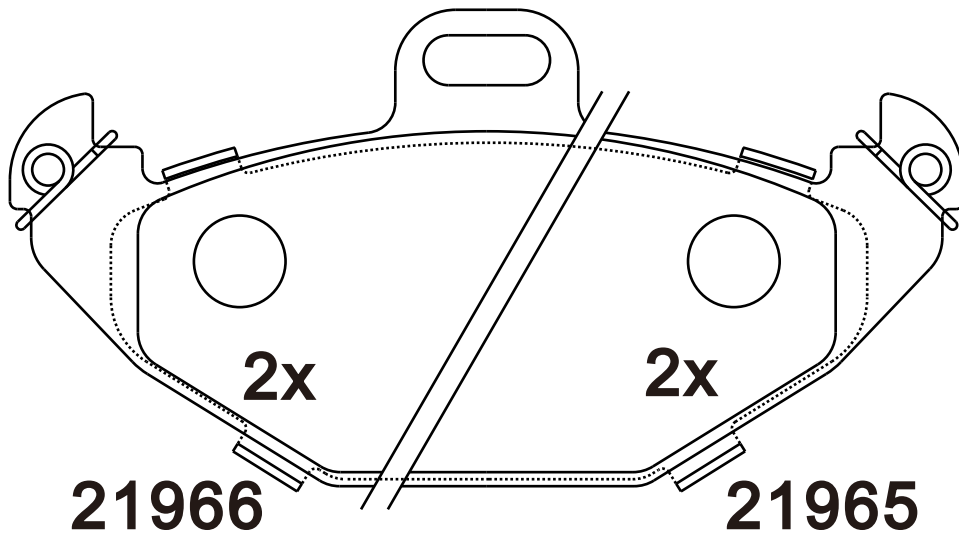
**Thickness
(mm)**

15



NOTE

4 identical, 2 with acoustic indicator (left), 2 with acoustic indicator (right).



Apply for:

Renault Laguna I

Hatchback

11.93-03.01

SR0314.01

**Dimension
(mm)**

108.9×57.5

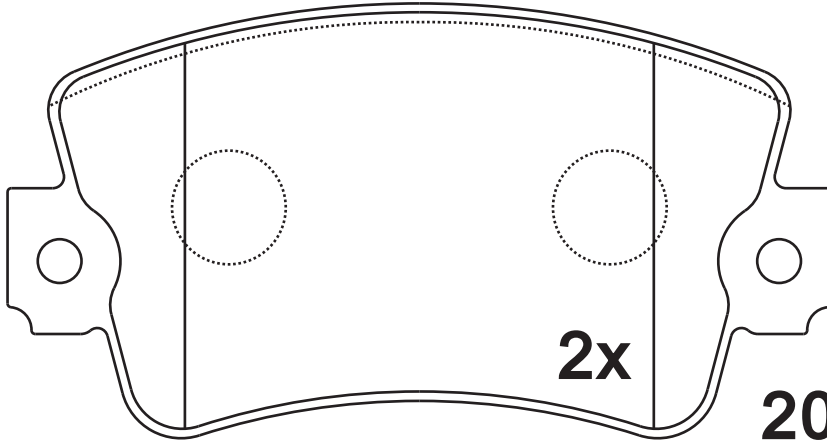
**Thickness
(mm)**

18.5

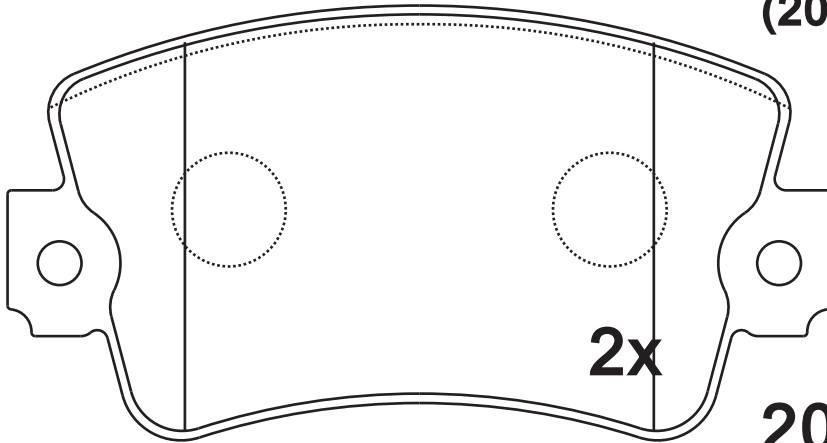


NOTE

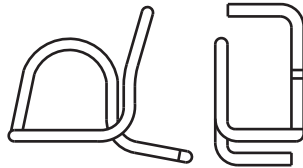
**4 identical, 1 with screw
(left), 1 with screw (right)**



**20488
(20570)**



**20489
(20571)**



4x

Apply for:

Renault 20	Hatchback	10.75-12.83
Renault Trafic	Bus	03.80-03.01
Renault Trafic	Platform	03.89-03.01
Renault Trafic	Van	03.89-03.01

SR0315.01

**Dimension
(mm)**

159.8×64.1

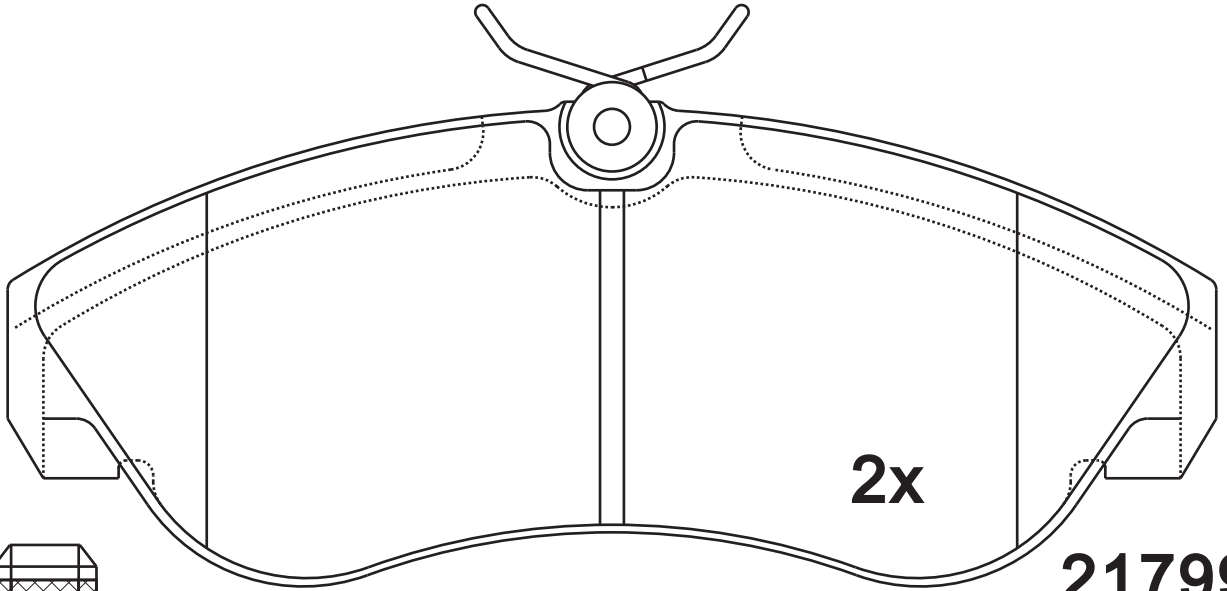
**Thickness
(mm)**

19.7

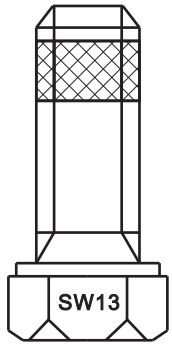


NOTE

4 identical, 2 with warn indicator: 300mm.

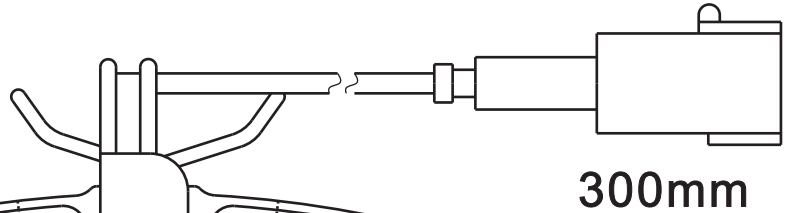


21799

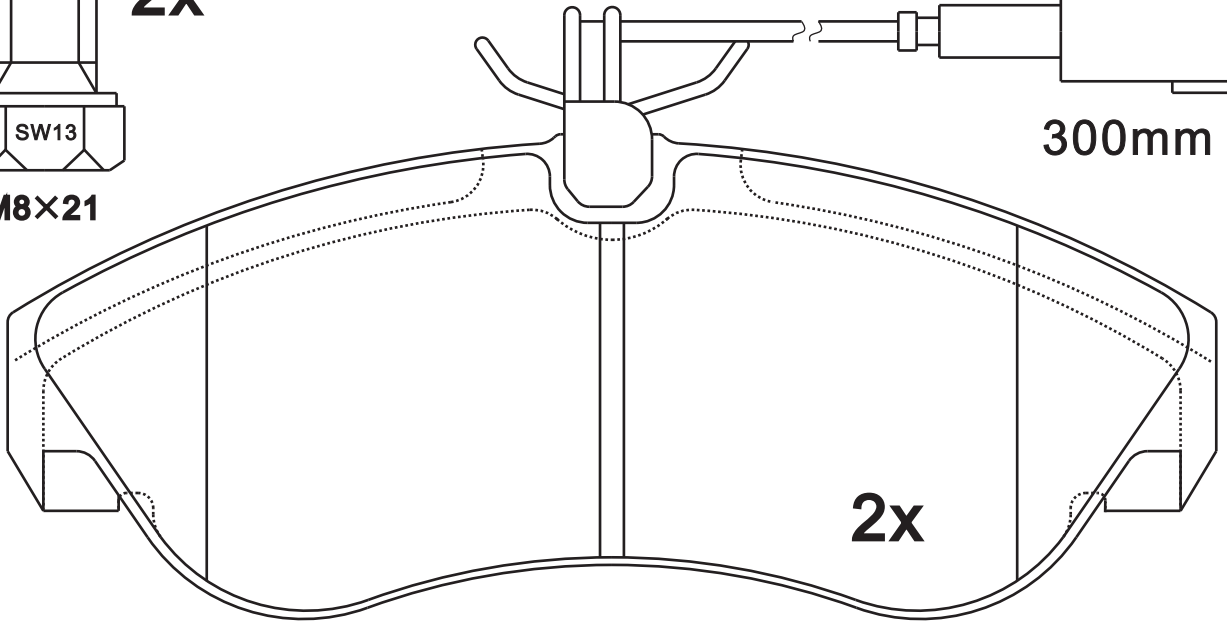


2x

M8x21



300mm



23603

Apply for:

Fiat Ducato
Fiat Ducato
Fiat Ducato

Bus
Box
Platform

03.94-04.02
03.94-04.02
12.98-04.02

SR0315.02

**Dimension
(mm)**

159.8×64.1

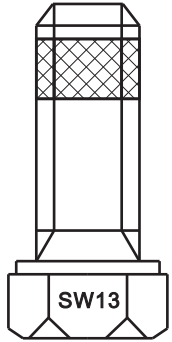
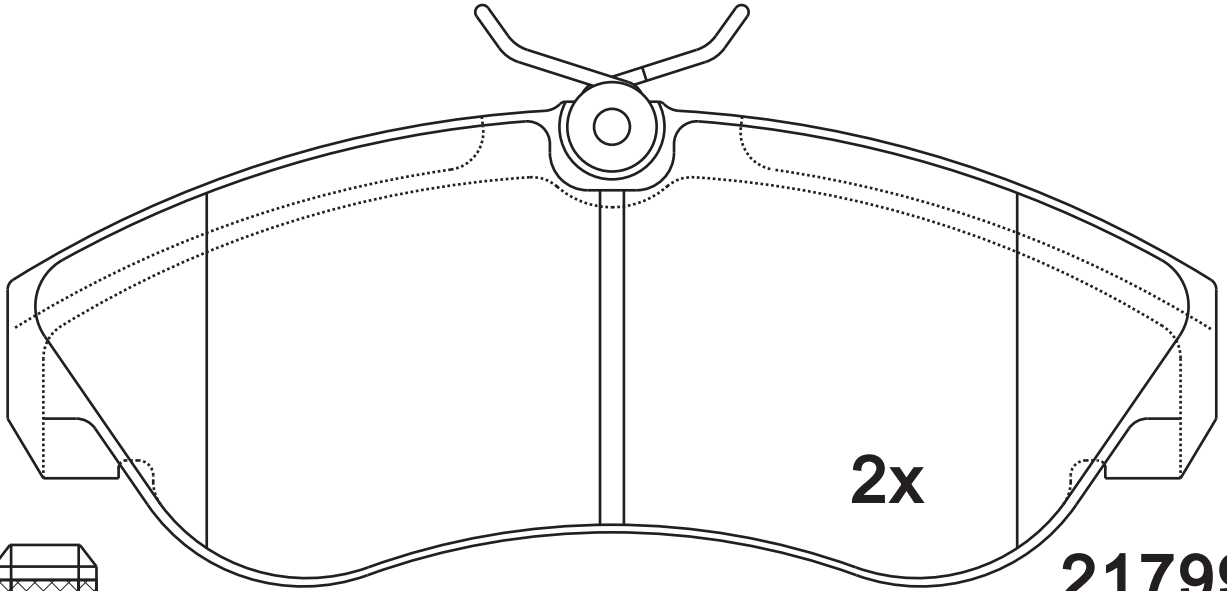
**Thickness
(mm)**

19.7



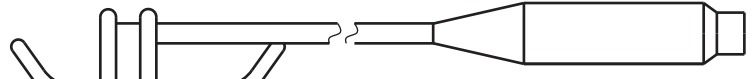
NOTE

4 identical, 2 with warn indicator: 201mm.

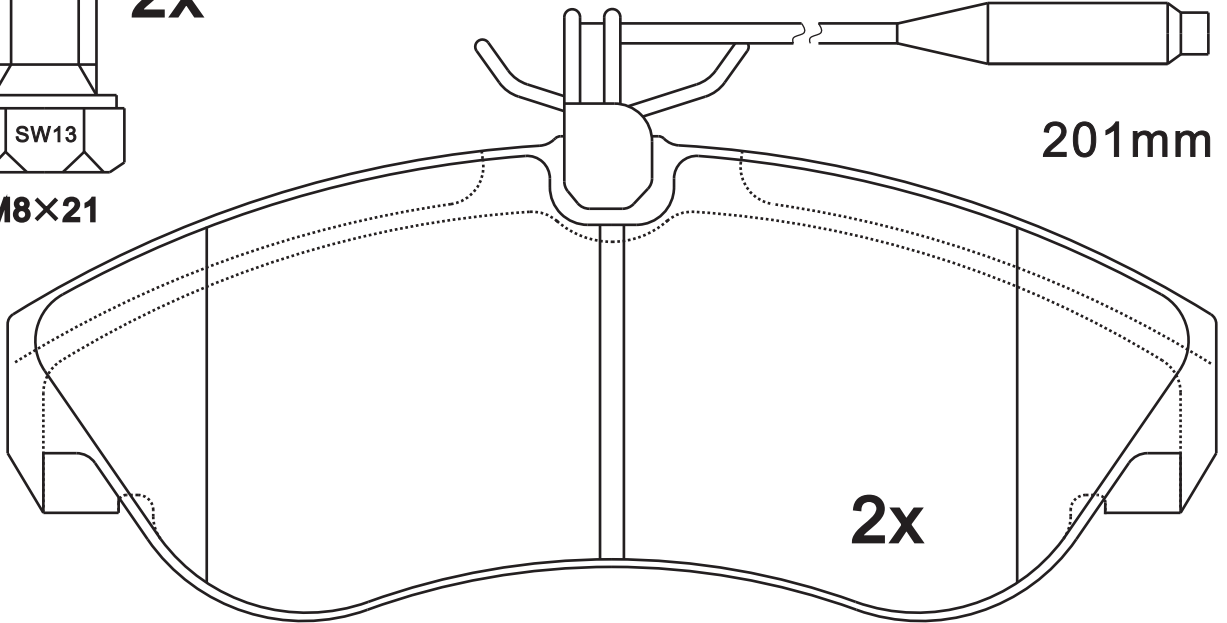


2x

M8×21



201mm



21800

Apply for:

Fiat Ducato
Fiat Ducato
Fiat Ducato

Bus
Box
Platform

03.94-04.02
03.94-04.02
12.98-04.02

SR0315.03

**Dimension
(mm)**

159.8×64.1

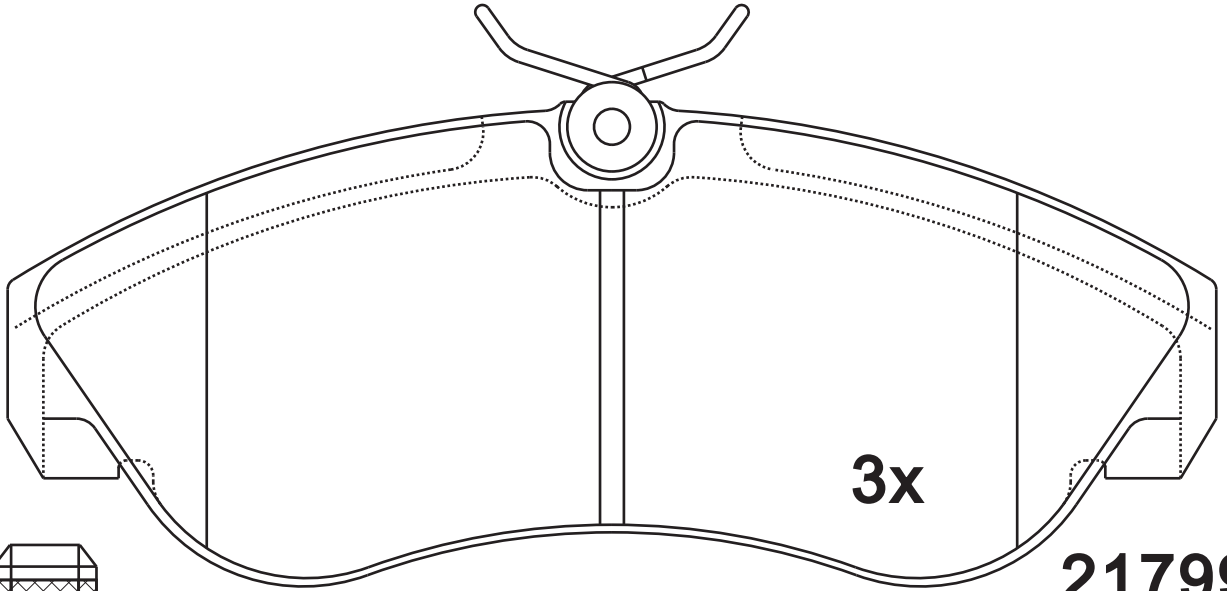
**Thickness
(mm)**

19.7

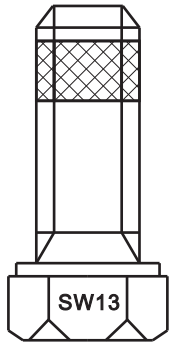


NOTE

4 identical, 2 with warn indicator: 300mm.

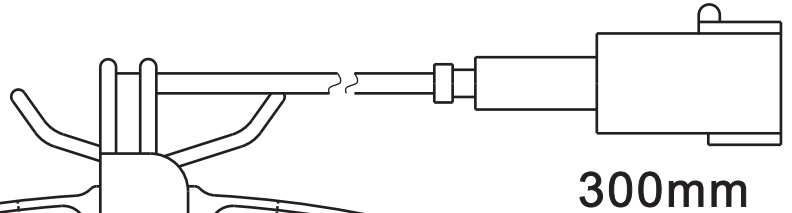


21799

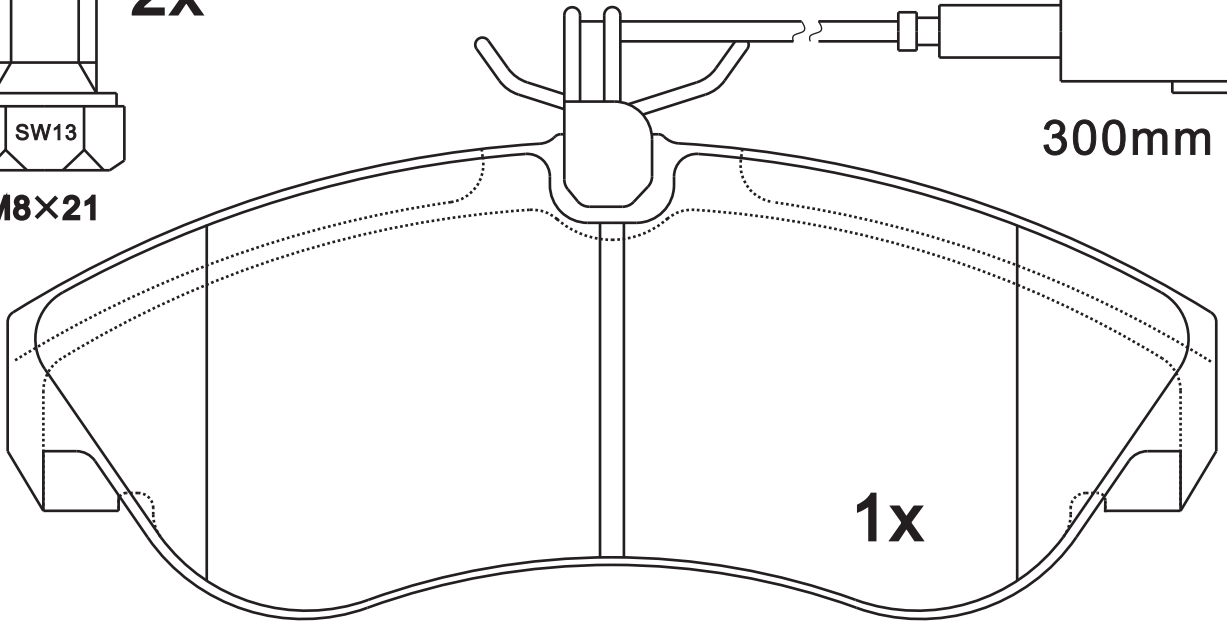


2x

M8×21



300mm



1x

23603

Apply for:

Fiat Ducato
Fiat Ducato
Fiat Ducato

Bus
Box
Platform

03.94-04.02
03.94-04.02
12.98-04.02

SR0315

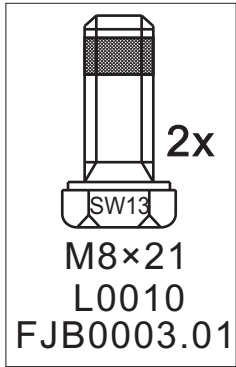
**Dimension
(mm)**

**Thickness
(mm)**



NOTE

**附件包
Accessory bag**



SR0316.01

**Dimension
(mm)**

**Thickness
(mm)**

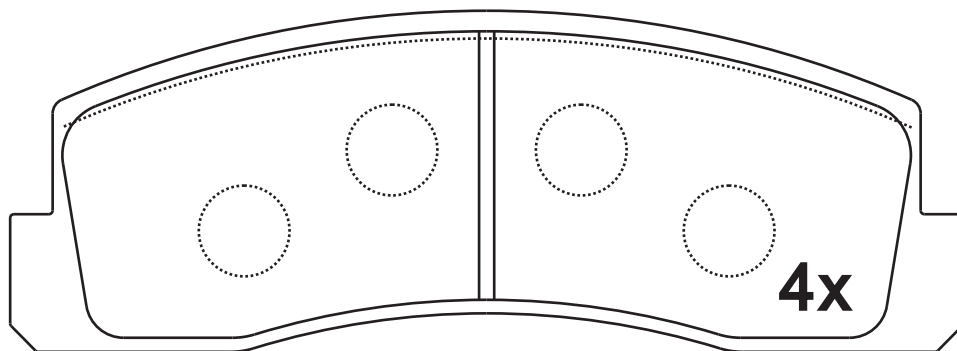


NOTE

4 identical;

126×45.1

15.7



20660

Apply for:

Lada Nadeschda
Lada Niva

Saloon
Closed off-Road

12.97-
12.76-

SR0317.01

**Dimension
(mm)**

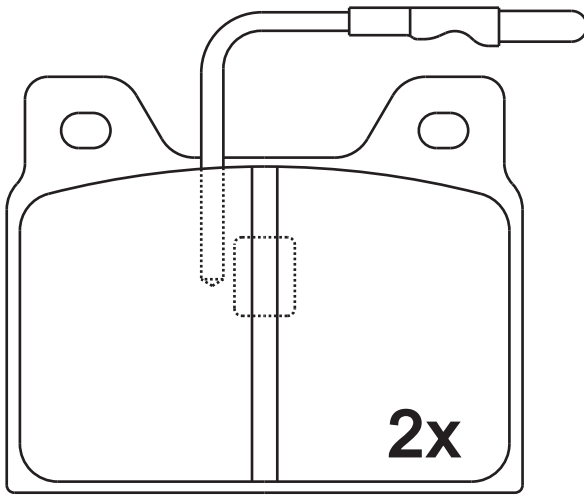
**Thickness
(mm)**



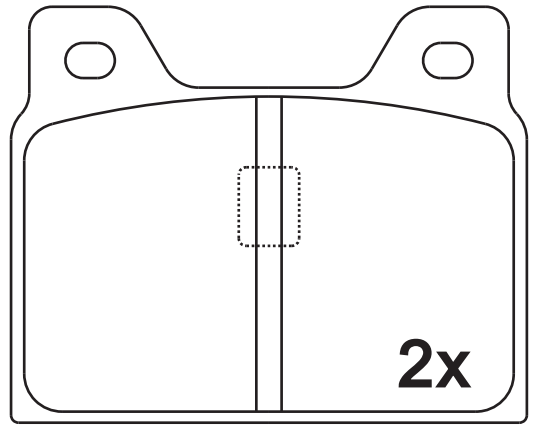
NOTE
4 identical, 2 with warn
indicator: 128mm.

68.2×55

16.4



20271



20253

Apply for:

Peugeot 505	Saloon	08.03-12.93
Peugeot 504	Saloon	07.68-07.86
Peugeot 504	Convertible	10.74-08.84
Peugeot 504	Coupe	10.74-08.84
Peugeot 604	Saloon	08.77-07.87

SR0318.01

**Dimension
(mm)**

151.3×52

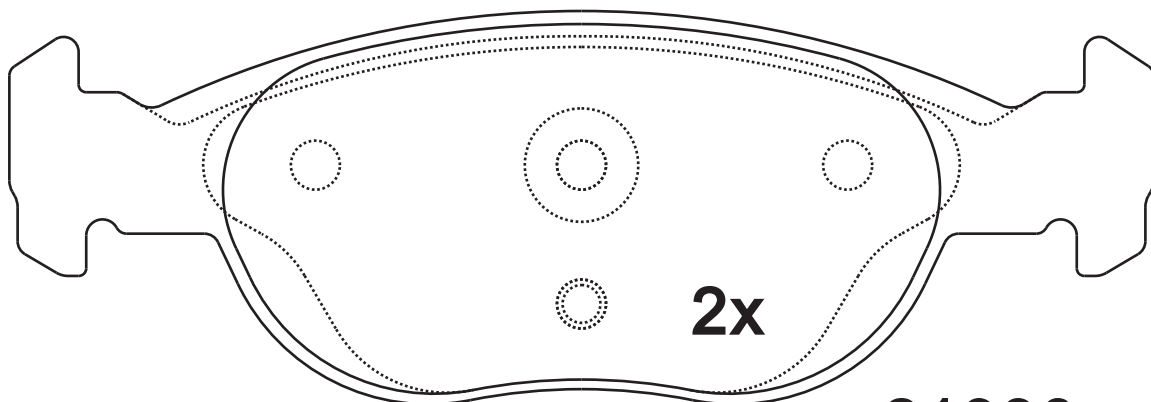
**Thickness
(mm)**

17.9

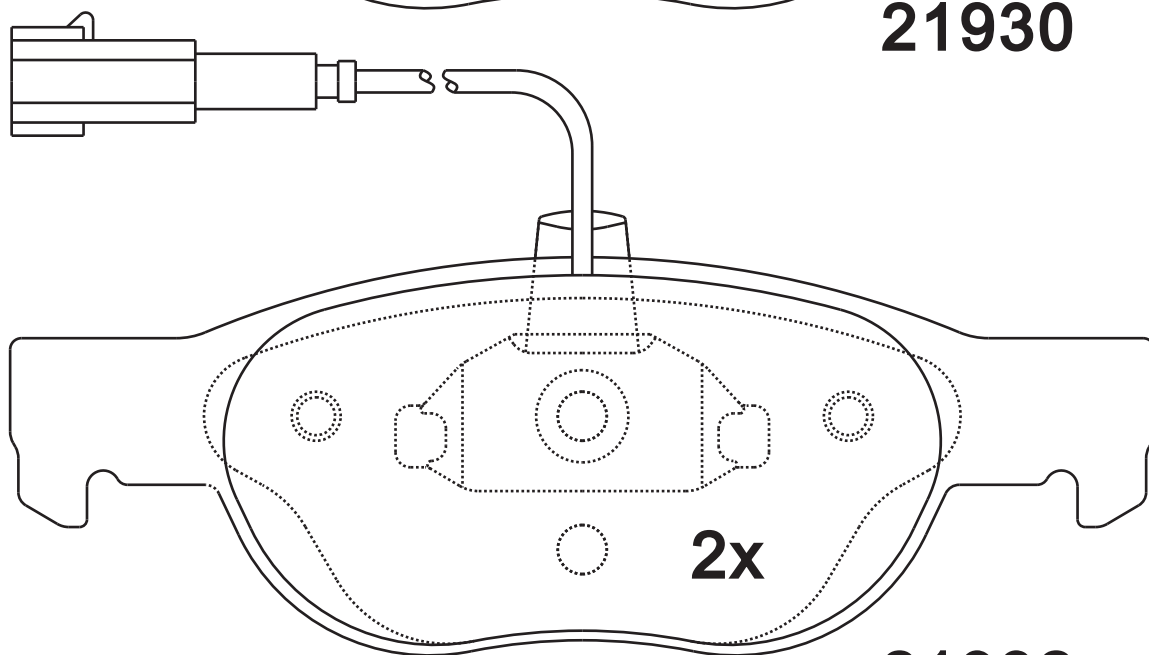


NOTE

**2 identical; 2 identical
with warn indicator:
201 mm.**



21930



21932

Apply for:

Fiat Marea

Saloon

09.96-05.02

SR0318.02

**Dimension
(mm)**

151.3×52

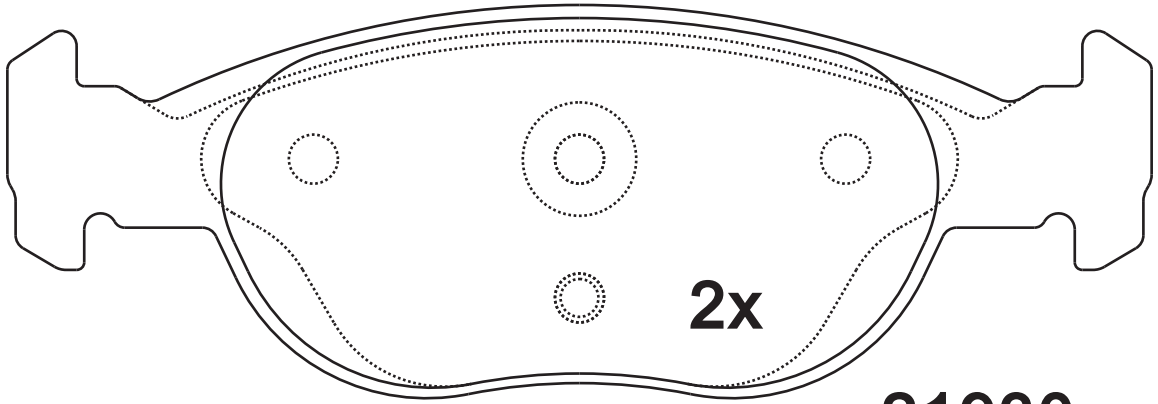
**Thickness
(mm)**

17.9

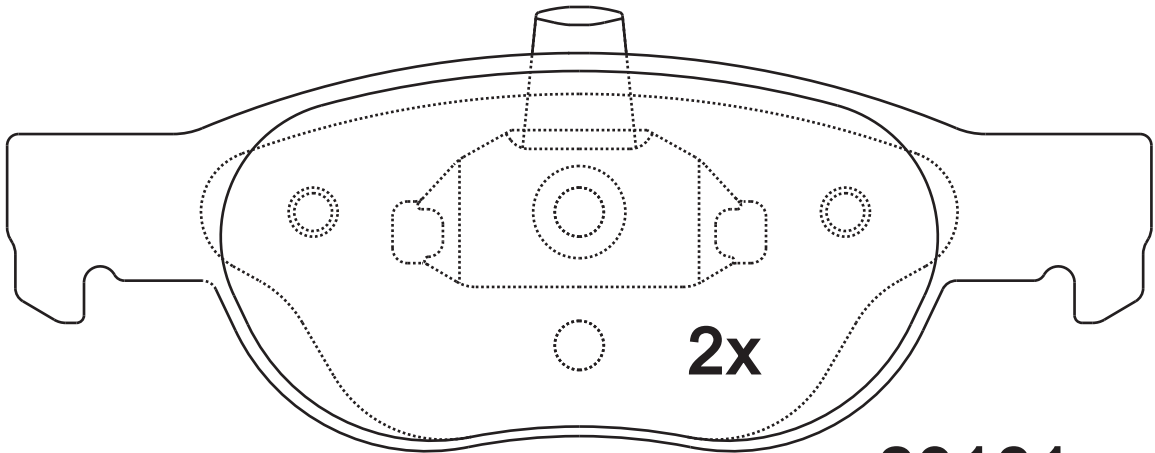


NOTE

2 identical;2 identical ;



21930



23181

Apply for:

Fiat Marea

Saloon

09.96-05.02

SR0318.03

**Dimension
(mm)**

151.3×52

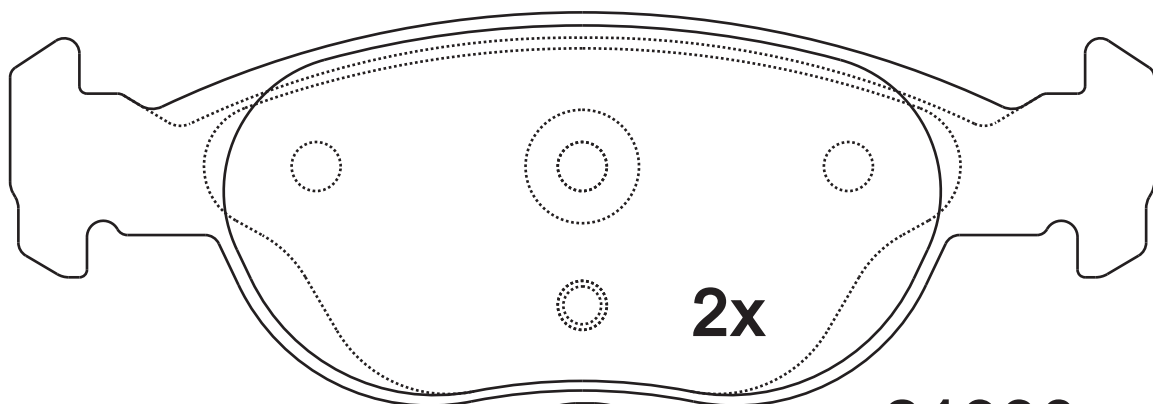
**Thickness
(mm)**

17.9

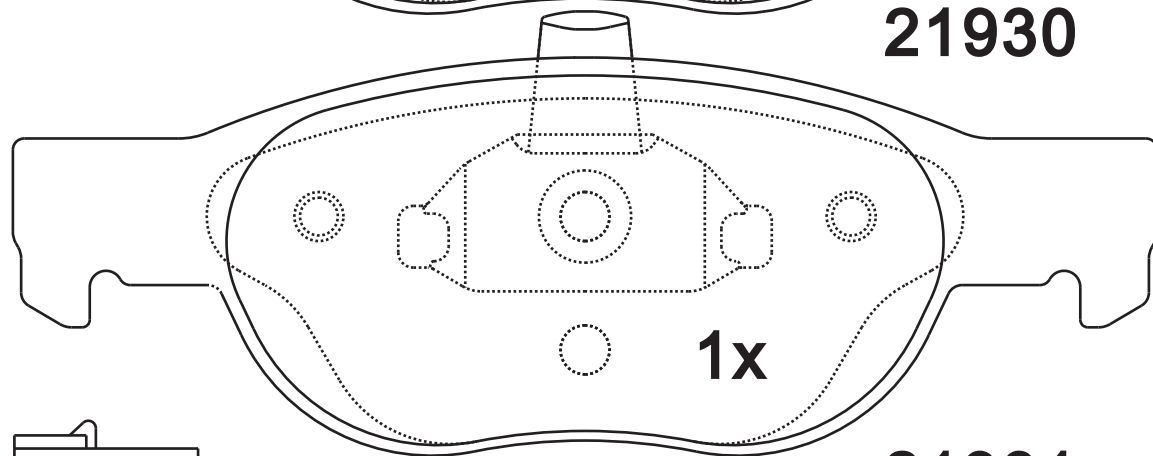


NOTE

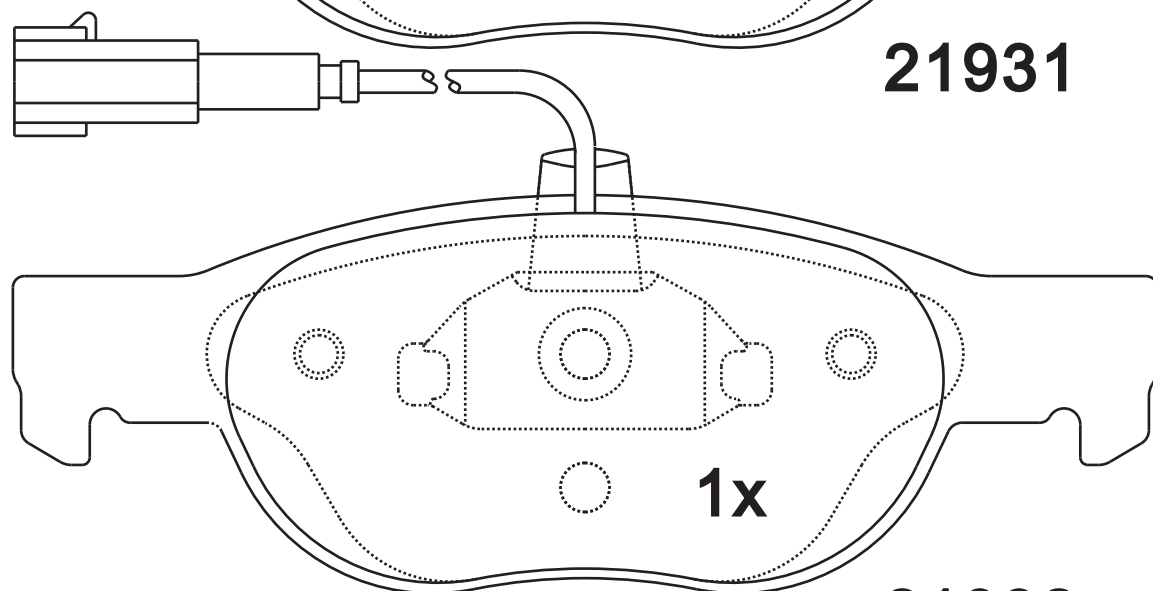
2 identical; 2 identical, 1 with warn indicator: 201mm.



21930



21931



21932

Apply for:

Fiat Marea

Saloon

09.96-05.02

SR0318

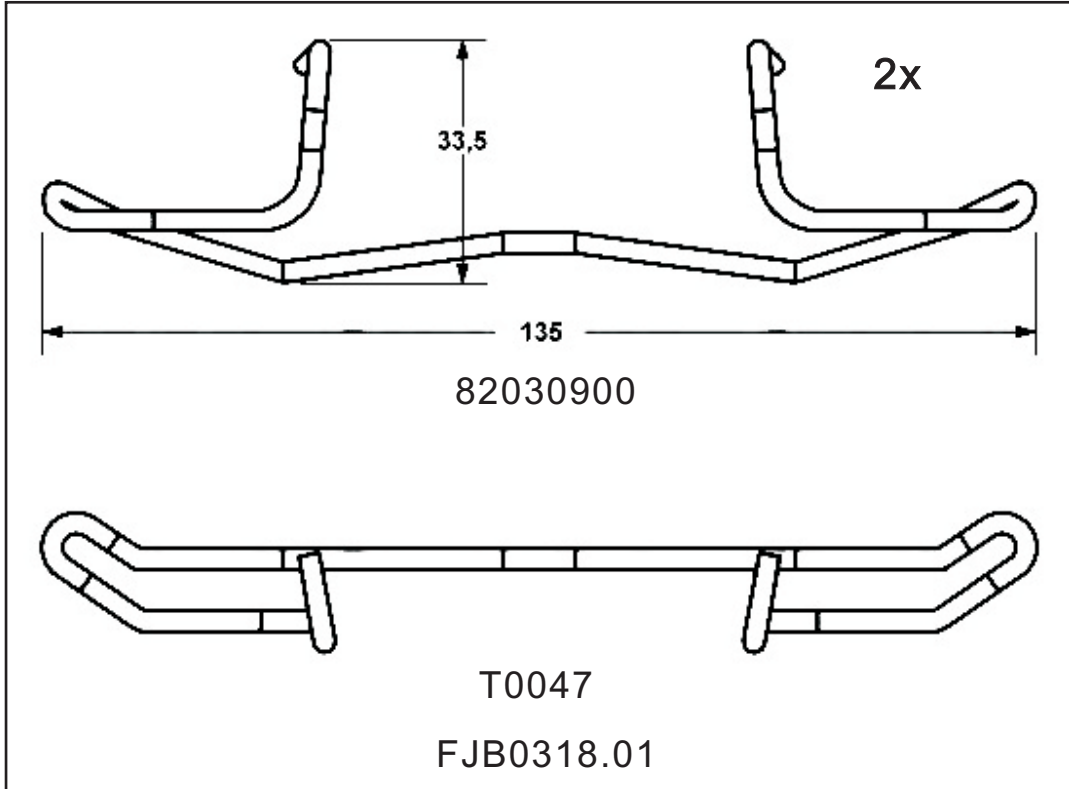
**Dimension
(mm)**

**Thickness
(mm)**



NOTE

附件包
Accessory bag



SR0319.01

**Dimension
(mm)**

**Thickness
(mm)**

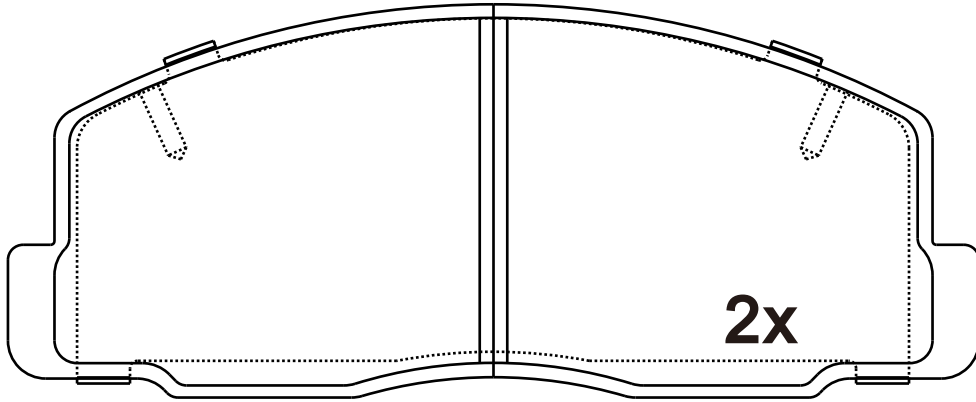


NOTE

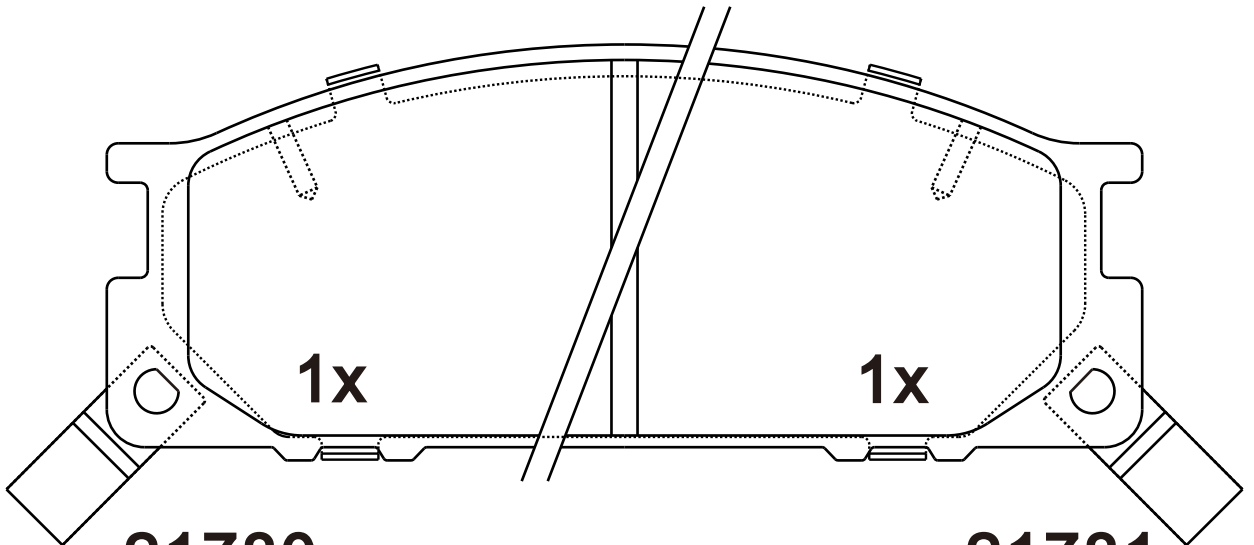
**2 identical; 2 identical,
1 with acoustic indicator
(left), 1 with acoustic
indicator (right).**

136.9/128.4×55/52

15.5



21369



21780

21781

Apply for:

Toyota Liteace
Toyota Liteace

Bus
Box

07.89-01.92
10.85-08.91

SR0320.01

**Dimension
(mm)**

114.7×47.5

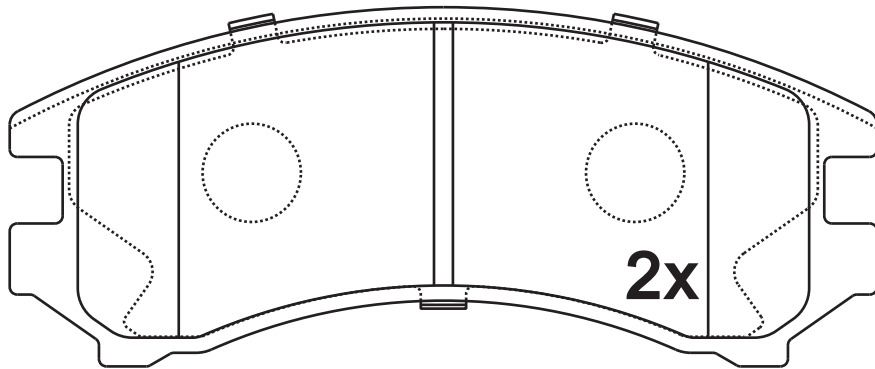
**Thickness
(mm)**

16

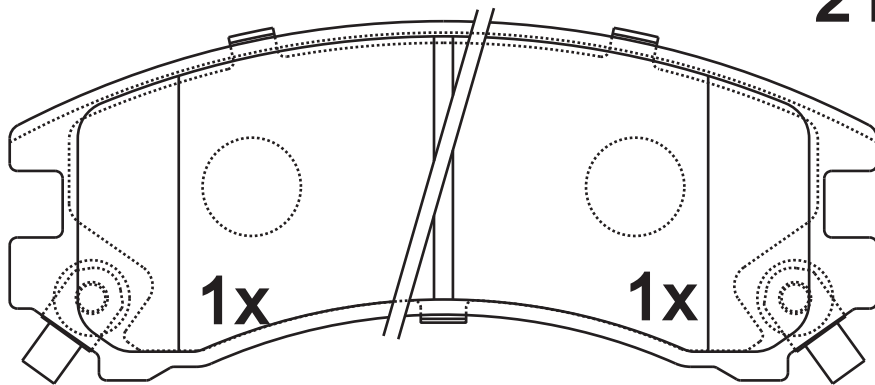


NOTE

4 identical, 1 with acoustic indicator (left), 1 with acoustic indicator (right).



21344



21346



21345

Apply for:

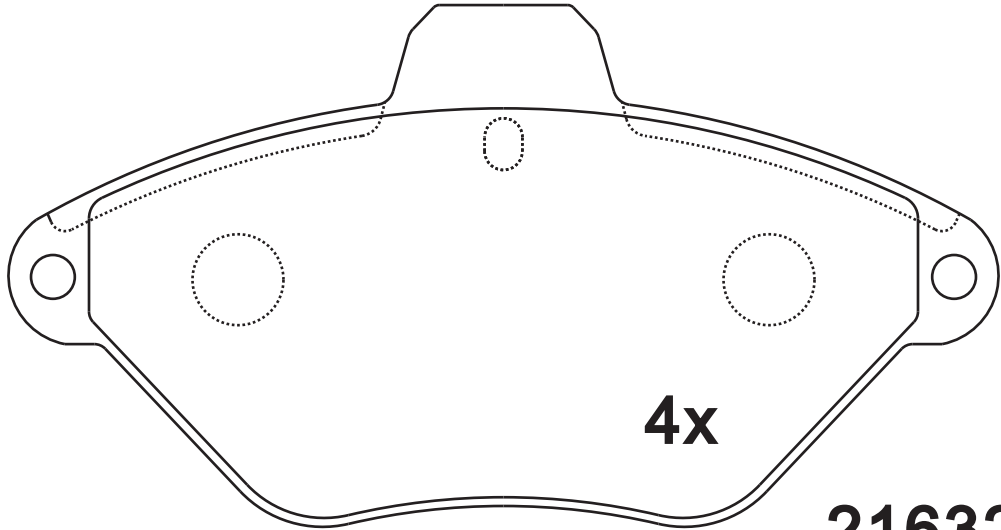
Nissan Sunny II

Saloon

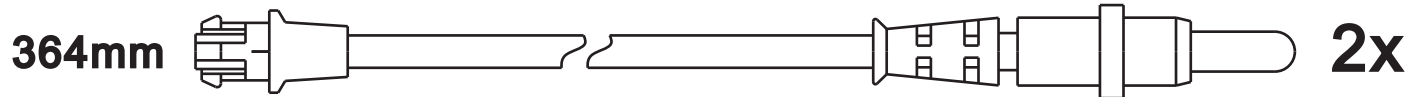
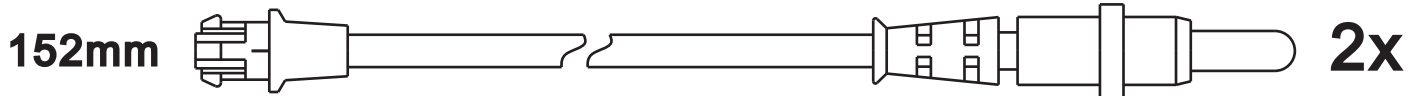
06.86-10.90

SR0321.01	Dimension (mm)	Thickness (mm)		NOTE
	130.9×69	16.3		4 identical;

无模具



21632



Apply for:

Citroen Xantia
Citroen Xantia

Hatchback
Break

03.93-04.03
06.96-04.03

SR0322.01

**Dimension
(mm)**

**Thickness
(mm)**

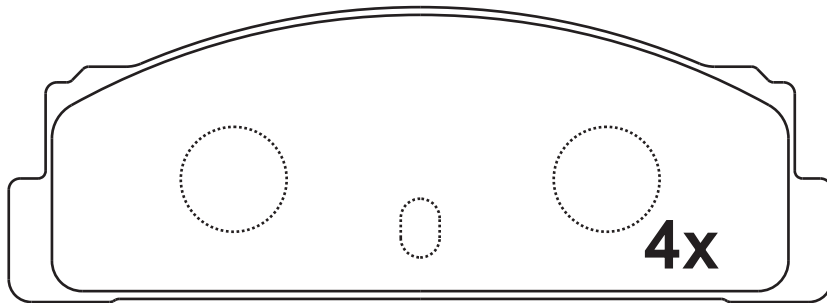


NOTE

4 identical;

108.8×39

10



20074

Apply for:

Fiat 124

Convertible

01.65-11.85

SR0323.01

**Dimension
(mm)**

150×50.3

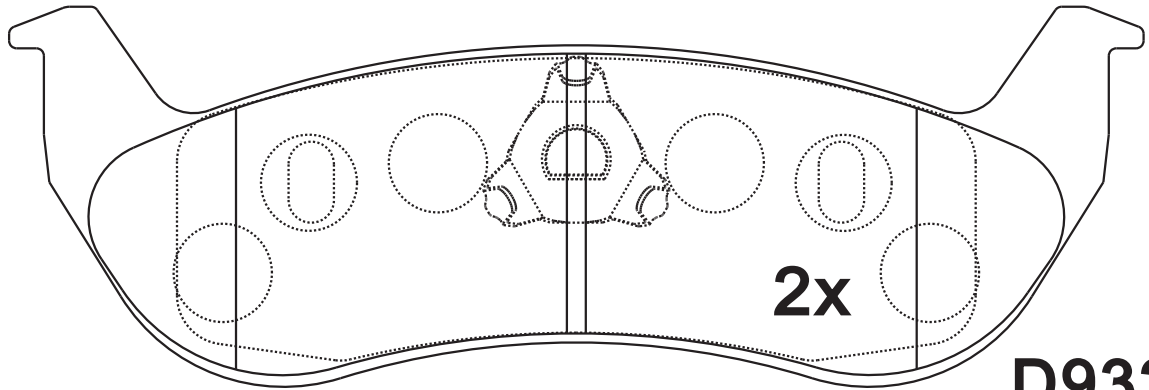
**Thickness
(mm)**

15.6

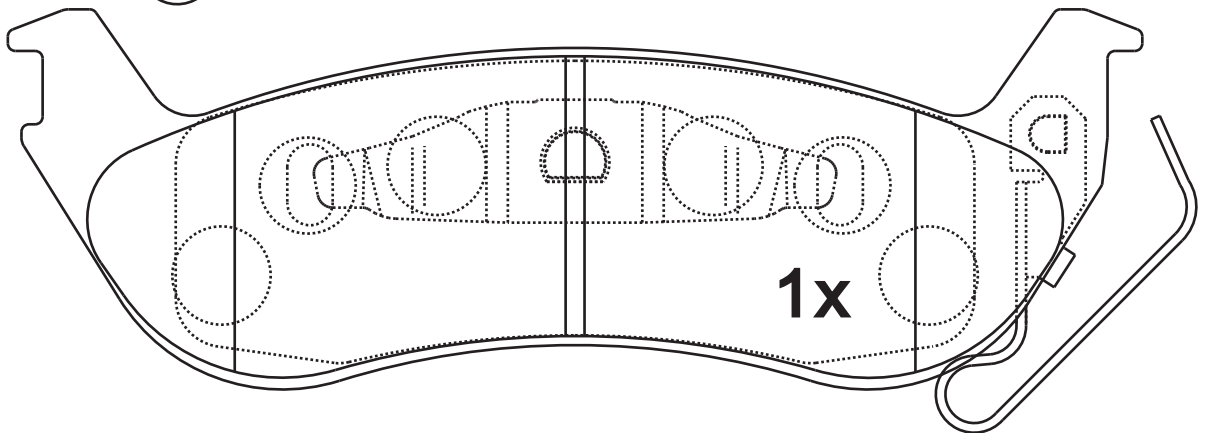
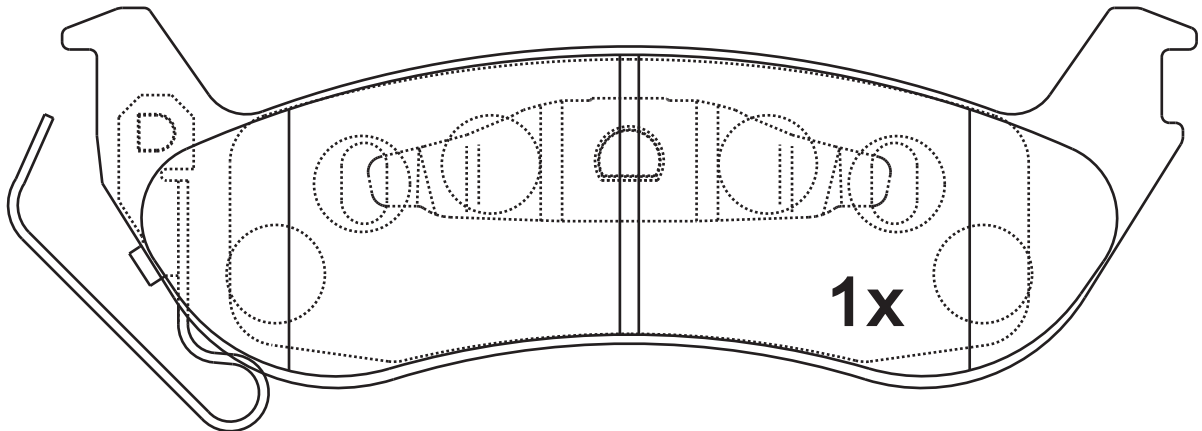


NOTE

4 identical, 1 with acoustic indicator (left), 1 with acoustic indicator (right).



D932



Apply for:

Ford Grown Victoria
Ford Truck Ranger
Ford Truck Ranger 4WD
Lincoln Town Car
Mercury Grand Marquis
Mercury Marauder

2003-2011
2010-2011
2011-
2003-2004
2003-2011
2003-2004

SR0324.01

**Dimension
(mm)**

122.9×59.6

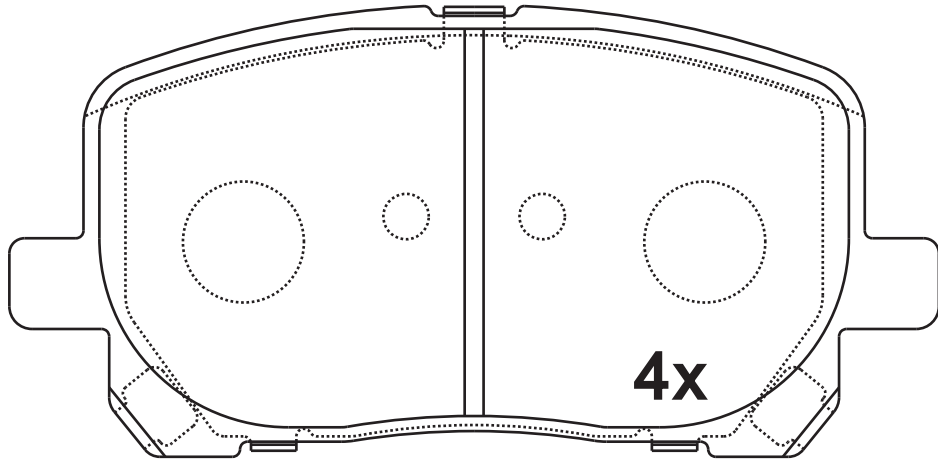
**Thickness
(mm)**

17



NOTE

4 identical;



23836

Apply for:

Toyota Avensis Verso

MPV

08.01-

SR0325.01

**Dimension
(mm)**

**Thickness
(mm)**

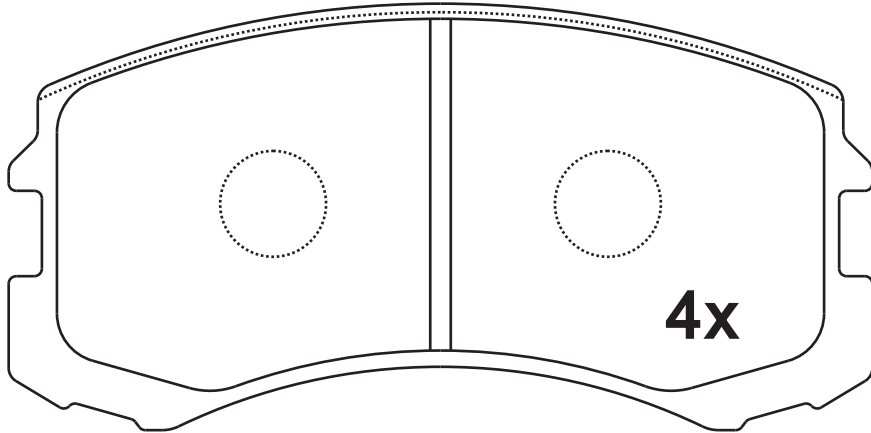


NOTE

4 identical;

114.2×56.4

16



24291

Apply for:

Mitsubishi Lancer
Mitsubishi Lancer

Saloon
Estate

09.03
09.03-10.08

SR0326.01

**Dimension
(mm)**

**Thickness
(mm)**



NOTE

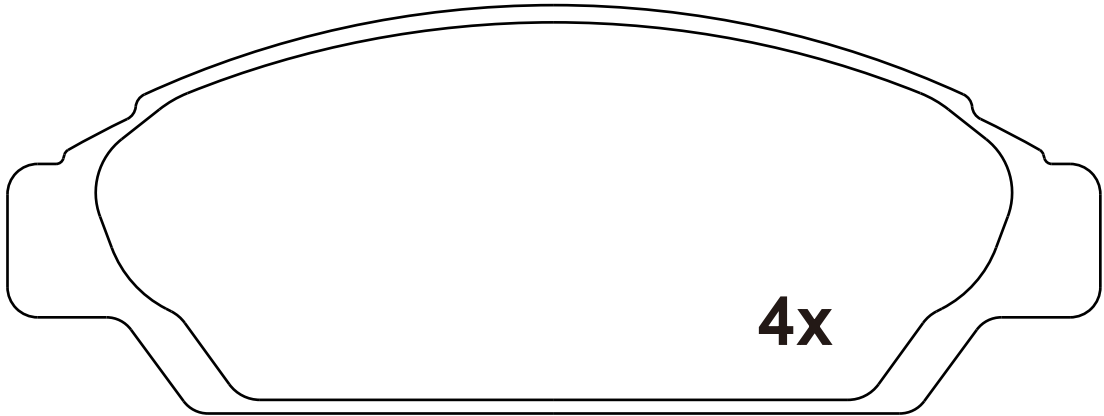
4 identical;

144.5×54

15.5



无模具



Apply for:

Honda

SR0327.01**Dimension
(mm)**

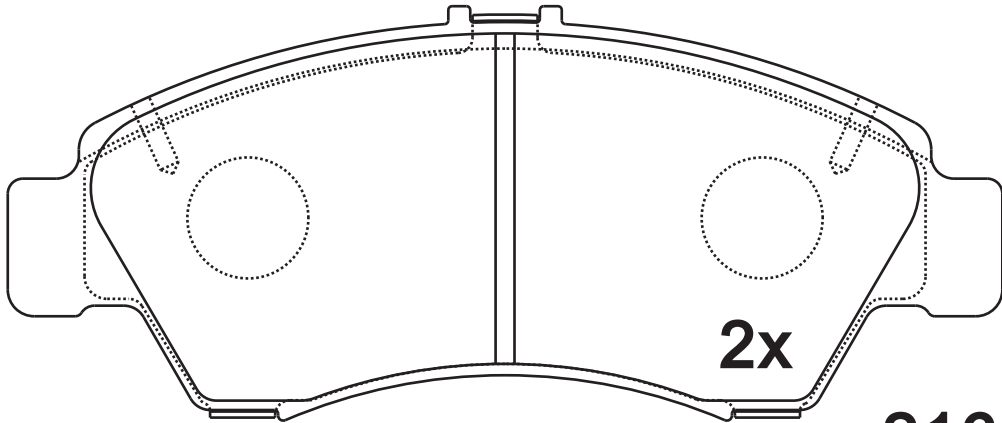
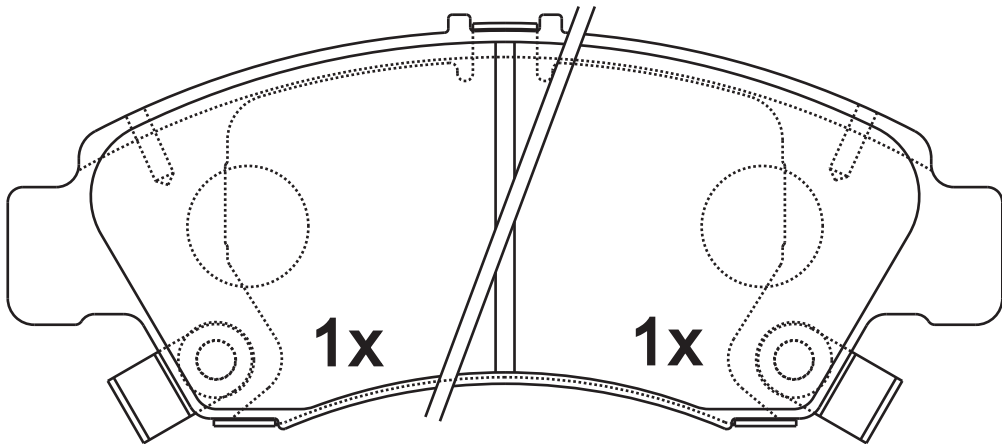
131.3×54.6

**Thickness
(mm)**

15

**NOTE**

4 identical, 1 with
acoustic indicator (left),
1 with acoustic indicator
(right).

**2x****21697****1x****1x****21698****21699****Apply for:**

Honda Civic V	Hatchback	10.91-11.95
Honda Civic V	Saloon	10.91-11.95
Honda Civic V	Coupe	08.93-11.95
Honda Civic VI	Coupe	03.96-03.00
Honda Jazz II	Hatchback	03.02-07.08
Honda Jazz III	Hatchback	07.08-
Honda Logo	Hatchback	03.99-03.02

SR0328.01

**Dimension
(mm)**

83.3×60.1

**Thickness
(mm)**

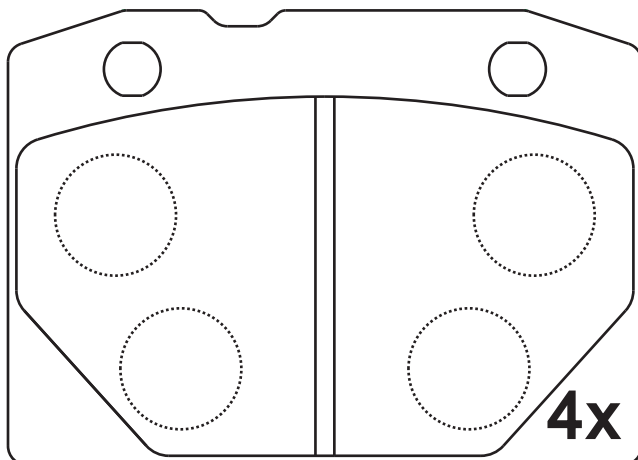
16



NOTE

4 identical;

无模具



Apply for:

Lada 1200/1300

01.70-01.87

Lada 1500/1600

01.72-01.86

SR0329.01

**Dimension
(mm)**

78.8×58.2

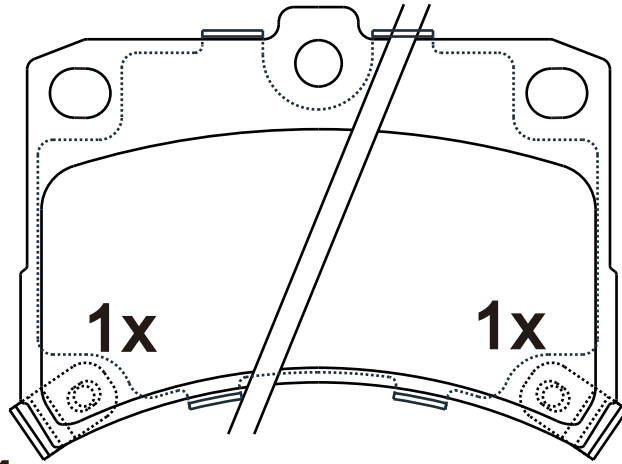
**Thickness
(mm)**

14



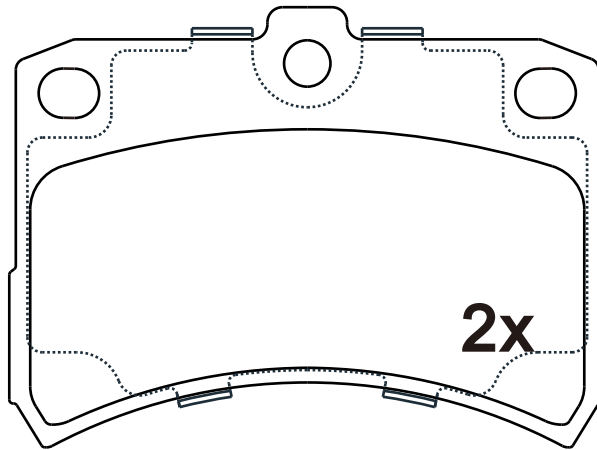
NOTE

4 identical, 1 with acoustic indicator (left), 1 with acoustic indicator (right).



23494

23495



23496

Apply for:

Daihatsu Cuore VI

Hatchback

10.98-05.03

SR0330.01

**Dimension
(mm)**

101.8×50.2

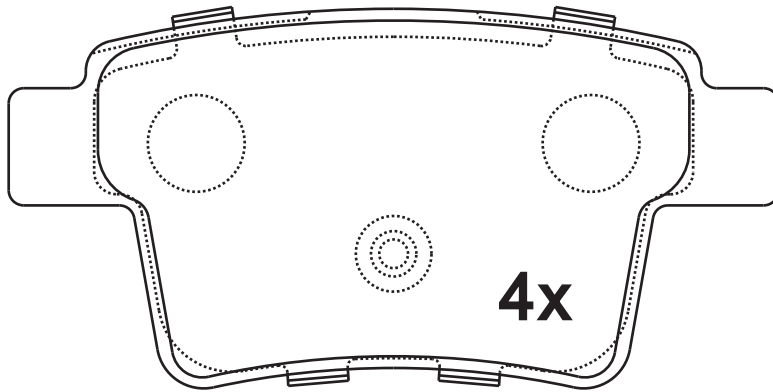
**Thickness
(mm)**

17.5



NOTE

4 identical, 1 with acoustic indicator (left), 1 with acoustic indicator (right).



24260

Apply for:

Proton GEN 2

Saloon

06.04-

SR0330.02

**Dimension
(mm)**

**Thickness
(mm)**

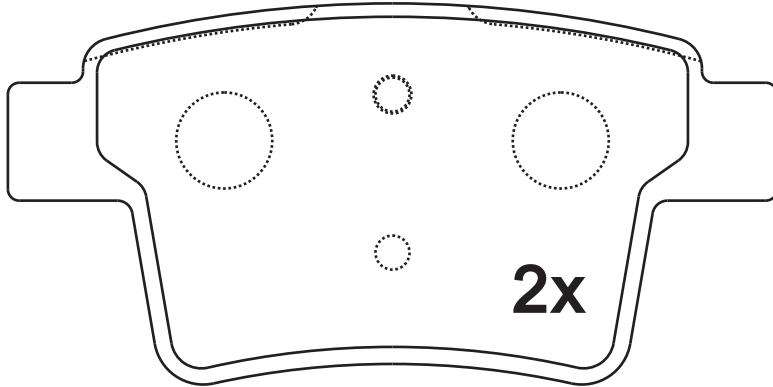


NOTE

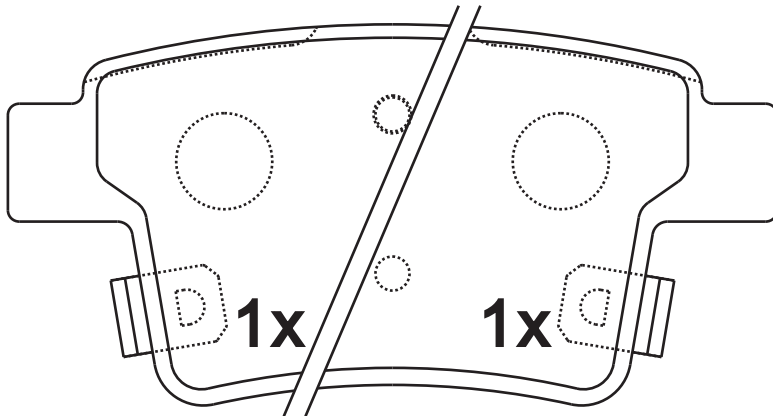
**4 identical, 1 with
acoustic indicator (left),
1 with acoustic indicator
(right).**

101.7×50.4

16.3



24260



25336

25335

Apply for:

Proton GEN 2

Saloon

06.04-

SR0330

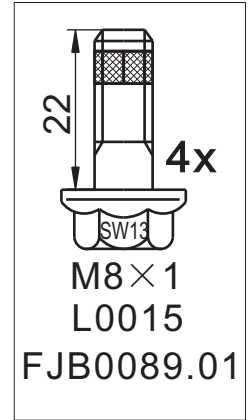
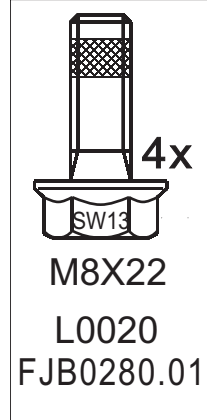
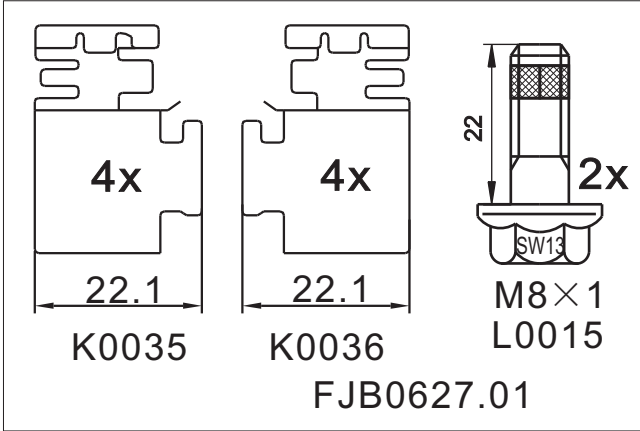
**Dimension
(mm)**

**Thickness
(mm)**



NOTE

**附件包
Accessory bag**



SR0331.01

**Dimension
(mm)**

**Thickness
(mm)**

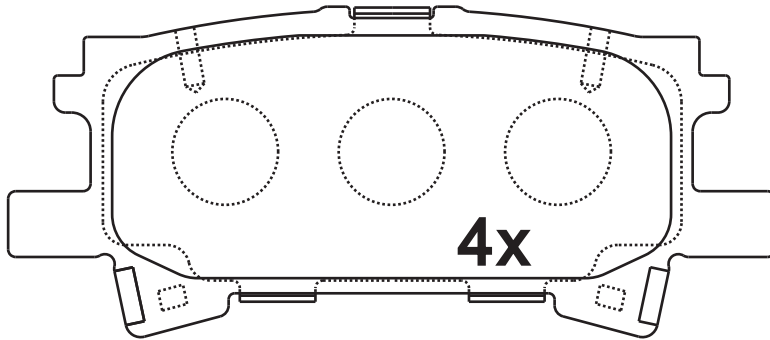


NOTE

4 identical;

101.4×43.1

15.1



23967

Apply for:

Lexus RX
Toyota Kluger

Closed off-Road
MPV

05.03-12.08
10.03-05.07

SR0331.02

**Dimension
(mm)**

101.9X44

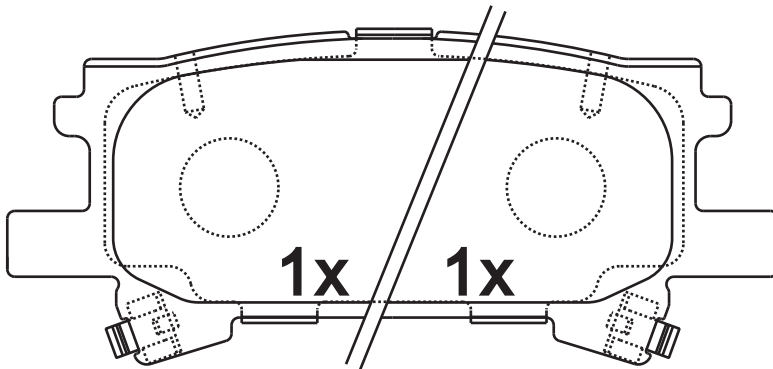
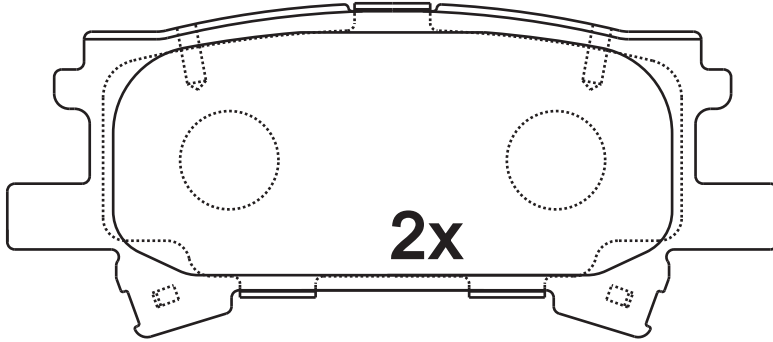
**Thickness
(mm)**

15.1



NOTE

4 identical;



QW13235

Apply for:

长丰猎豹CS10 2015-

SR0332.01

**Dimension
(mm)**

141×59.1

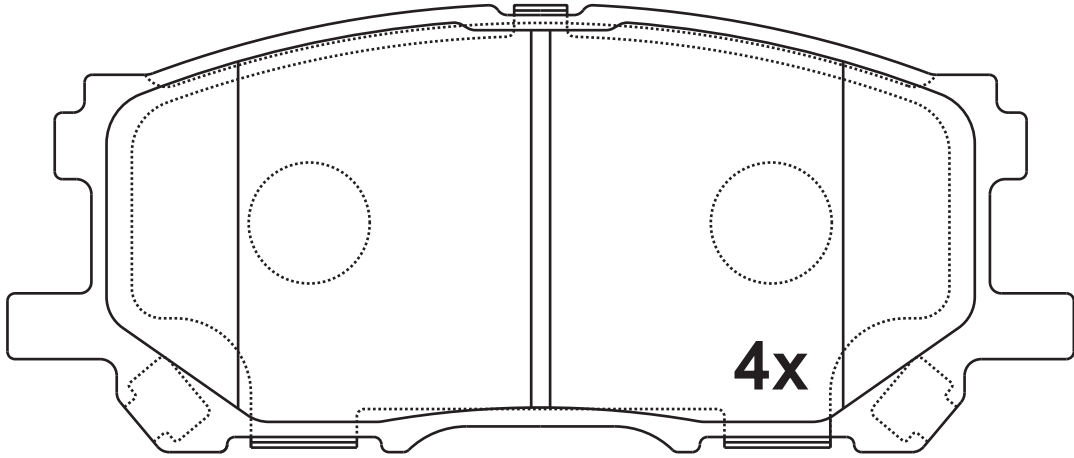
**Thickness
(mm)**

16.8



NOTE

4 identical;



23734



2x

Apply for:

Lexus RX

Closed off-Road

05.03-12.08

SR0332.02

**Dimension
(mm)**

141×59

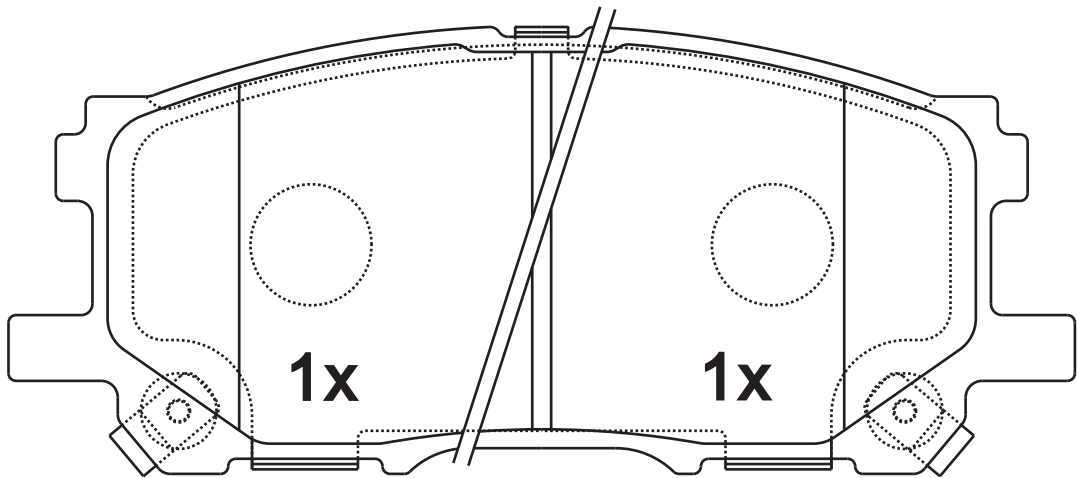
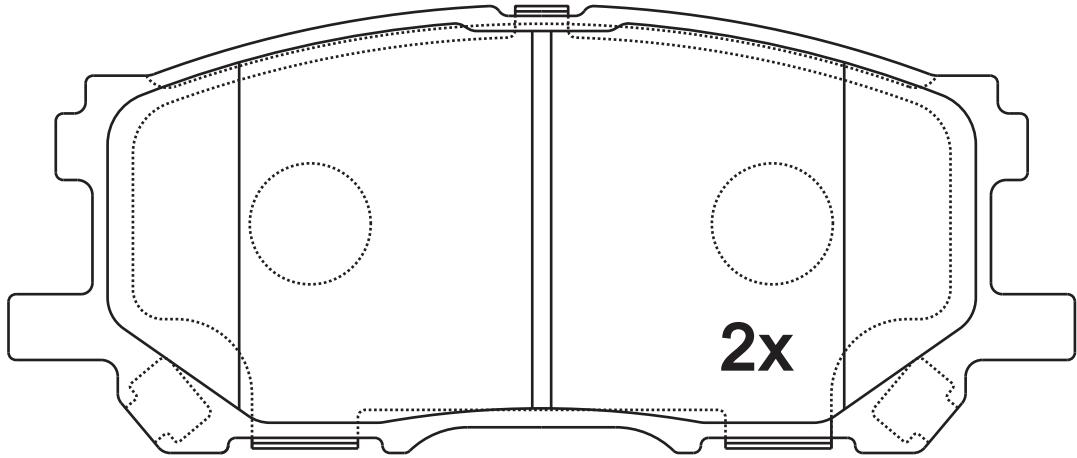
**Thickness
(mm)**

17.1



NOTE

4 identical;



Apply for:

猎豹cs10

2015-

SR0333.01

**Dimension
(mm)**

**Thickness
(mm)**

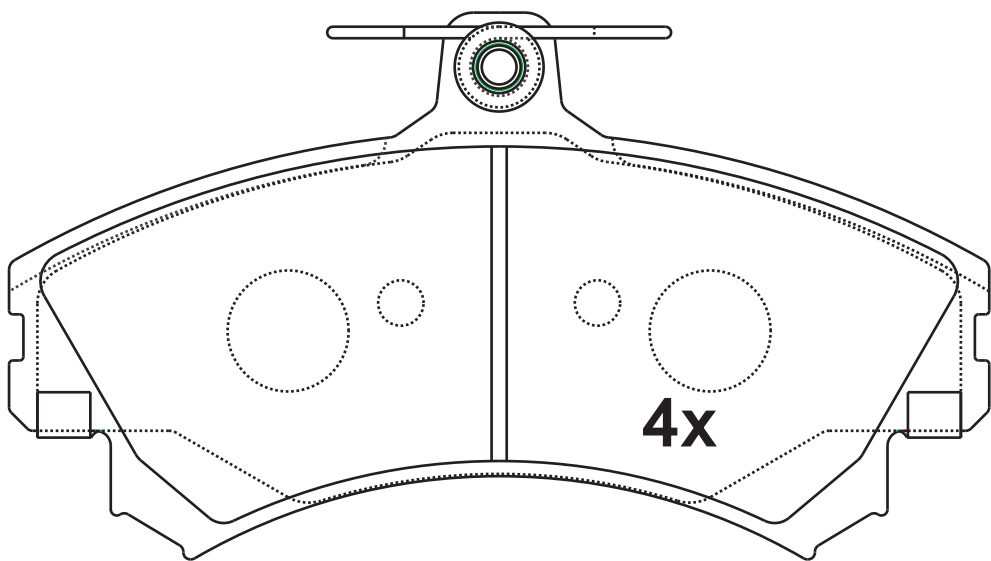
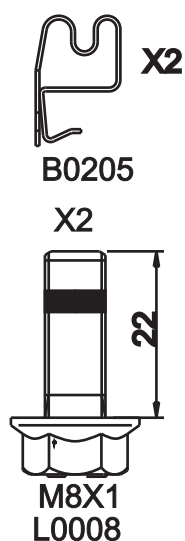


NOTE

4 identical;

130×72.8

15.1



21920

Apply for:

Mitsubishi Carisma
Mitsubishi Carisma

Hatchback
Saloon

07.95-06.06
05.97-06.06

SR0333.02

**Dimension
(mm)**

**Thickness
(mm)**

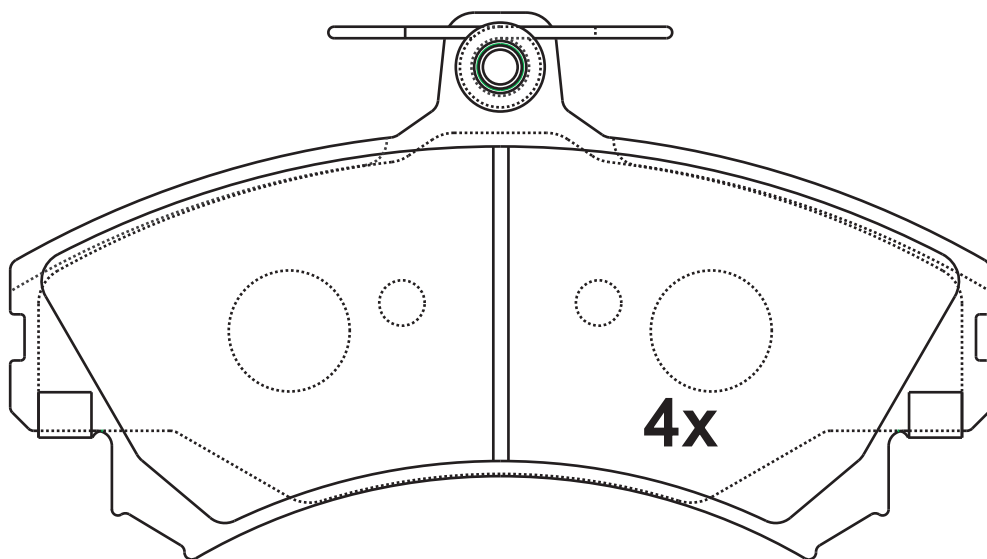
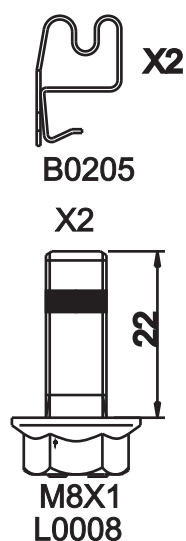


NOTE

4 identical;

130×72.8

17.1




21920

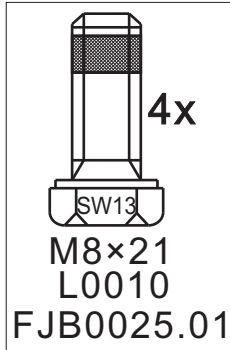
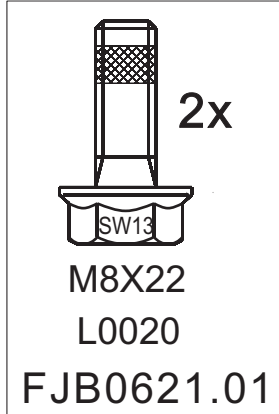
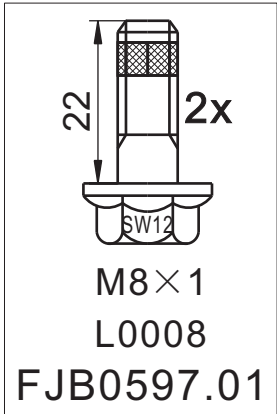
Apply for:

Mitsubishi Carisma
Mitsubishi Carisma

Hatchback
Saloon

07.95-06.06
05.97-06.06

SR0333	Dimension (mm)	Thickness (mm)		NOTE
				附件包 Accessory bag



SR0334.01

**Dimension
(mm)**

122.8×53.4

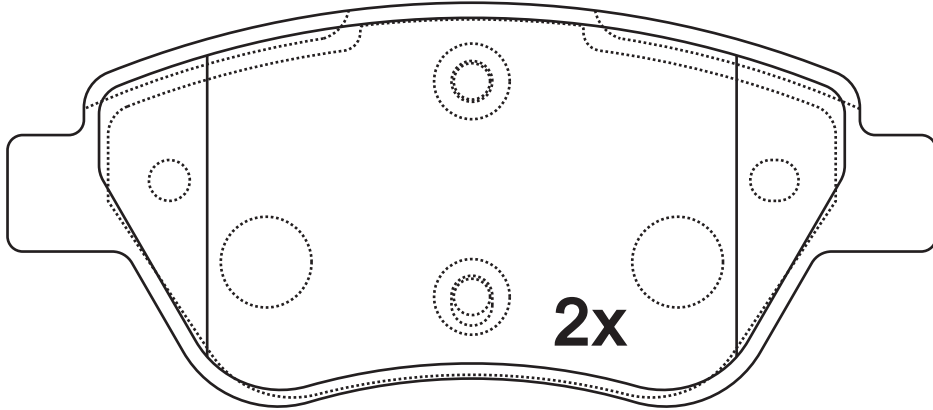
**Thickness
(mm)**

17

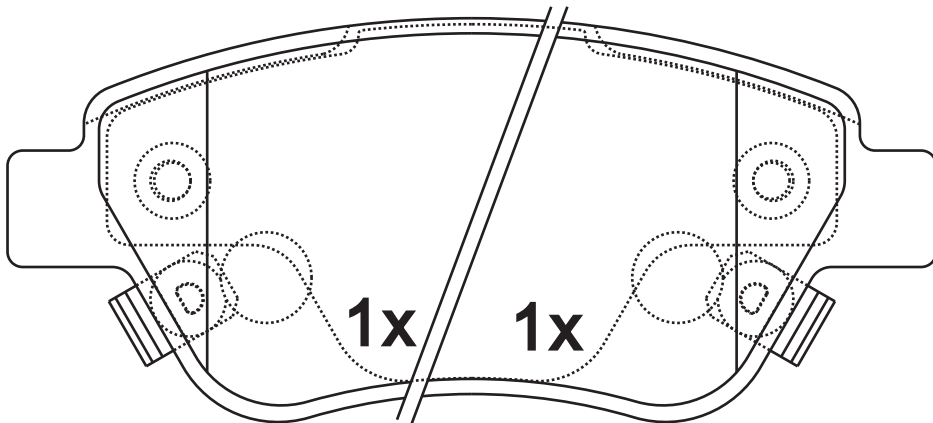


NOTE

4 identical, 1 with
acoustic indicator(left),
1 with acoustic indicator
(right).



23982



25095

24288

Apply for:

Proton GEN 2

Saloon

06.04-

SR0334.02

**Dimension
(mm)**

122.8×53.4

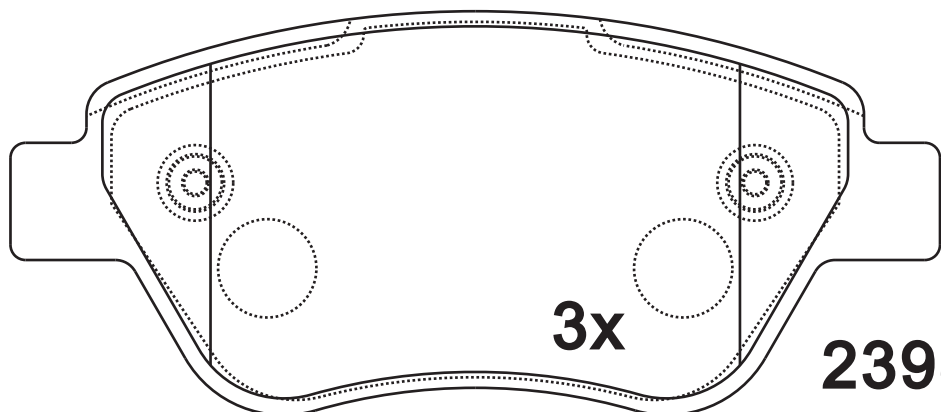
**Thickness
(mm)**

17.9



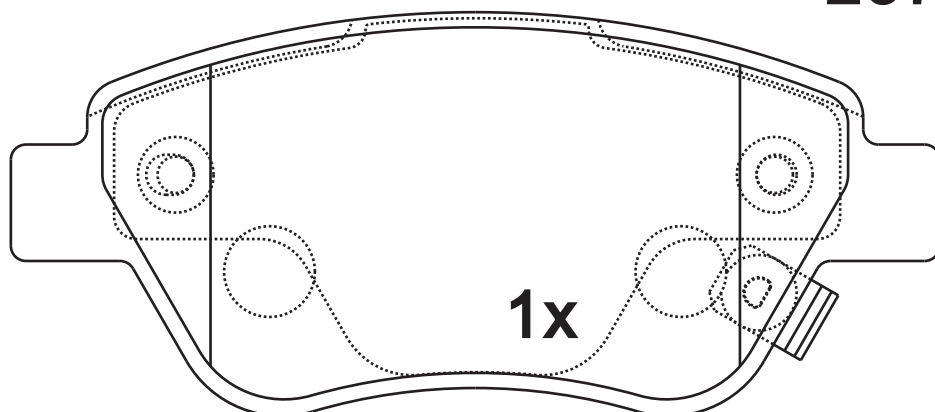
NOTE

**3 identical, 1 with
acoustic indicator(right).**



23982

23707



24288

Apply for:

Fiat's MPV (119)

2001/03-

Opel ADAM

2012/10-

Waxman hall ADAM

2012/10-

SR0334.03

**Dimension
(mm)**

122.8×53.4

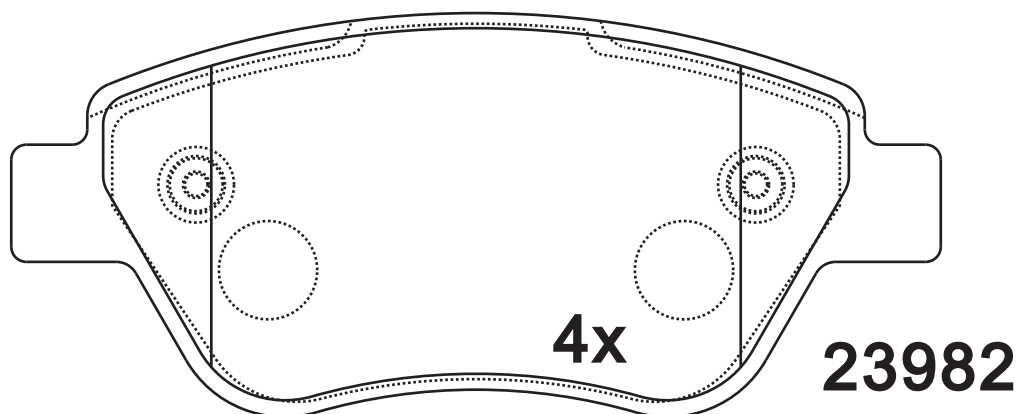
**Thickness
(mm)**

17.9



NOTE

4 identical;



Apply for:

Fiat 500 (Latin America)
Fiat Grande Punto (Latin America)

2008-2011
2007-2010

SR0334.05

**Dimension
(mm)**

122.8×53.4

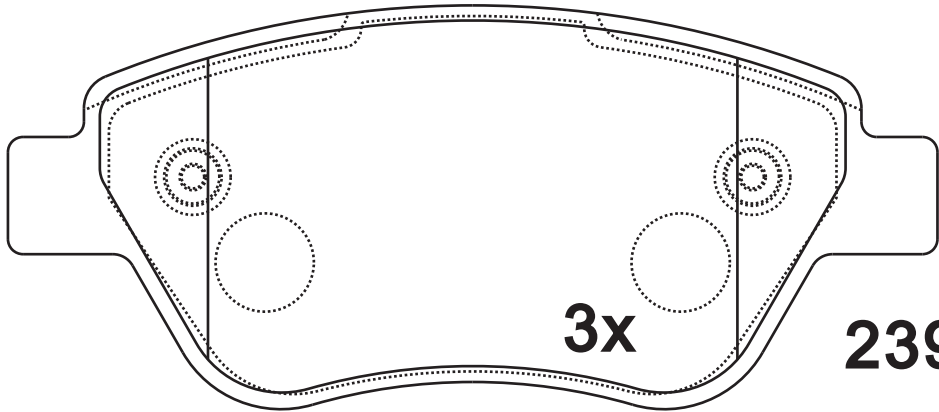
**Thickness
(mm)**

17.9



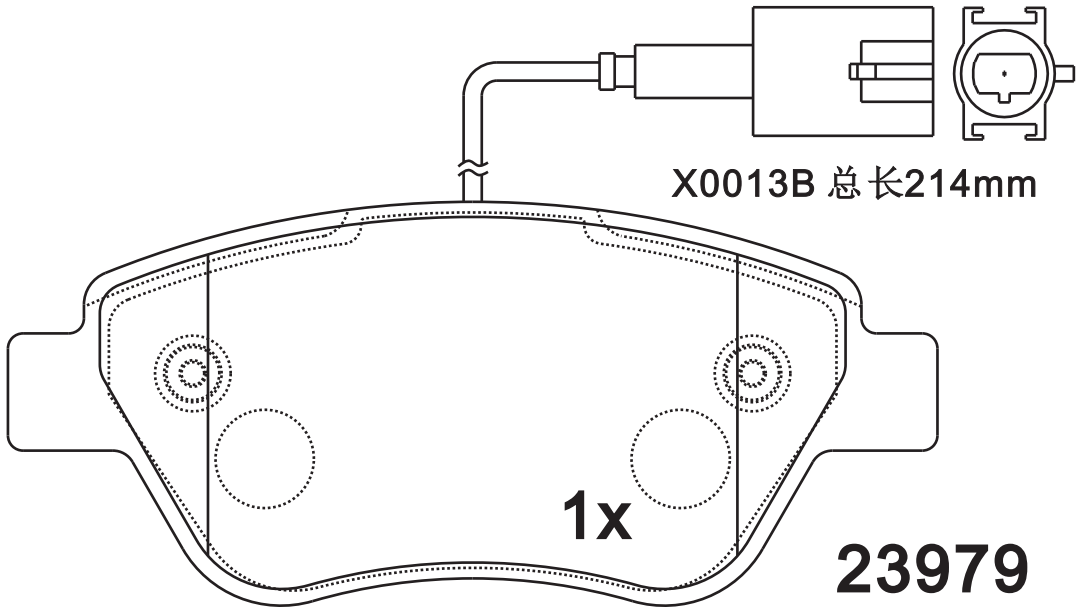
NOTE

4 identical, 1 with warn
indicator: 200mm.



3x

23982



1x

23979

X0013B 总长214mm

Apply for:

Fiat 500 (Latin America)

2008-2011

Fiat Grande Punto (Latin America)

2007-2010

SR0334.06

**Dimension
(mm)**

122.8×53.4

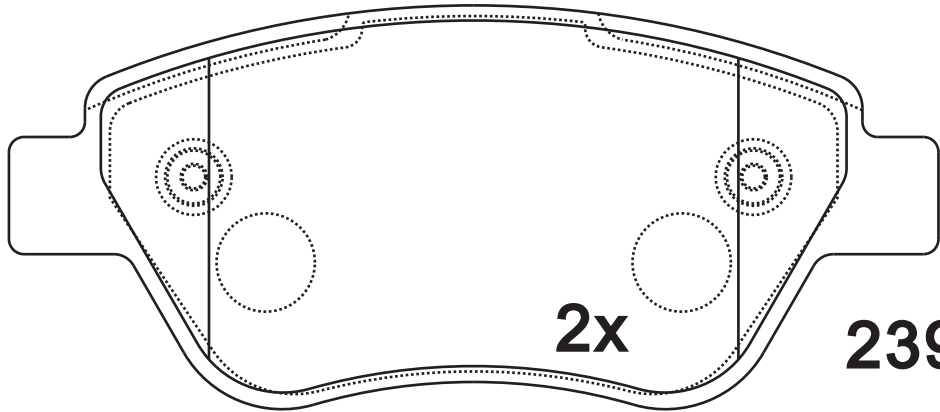
**Thickness
(mm)**

17.9



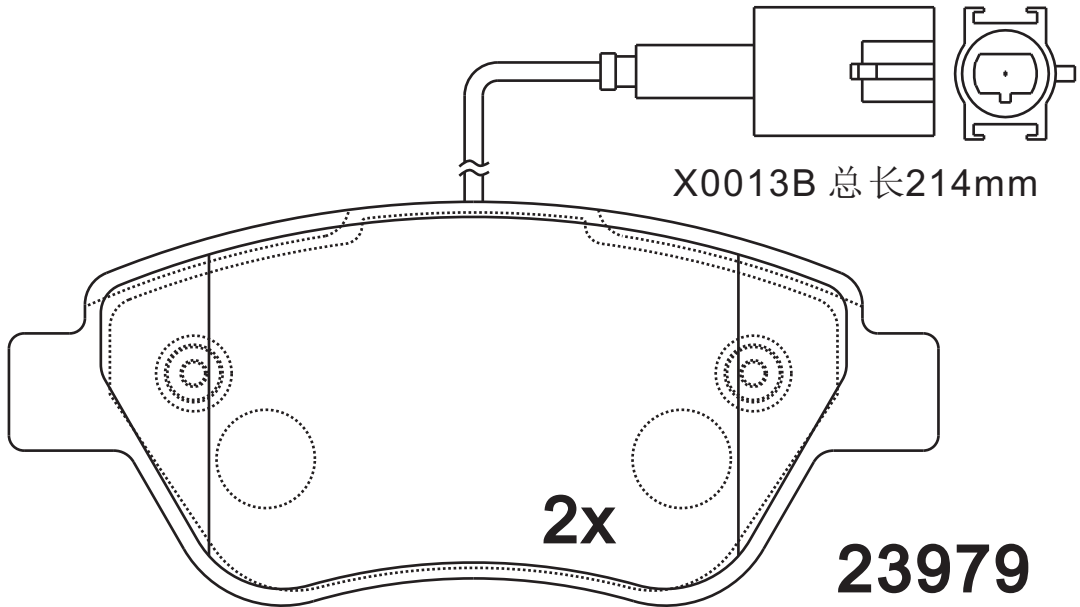
NOTE

**4 identical, 2 with warn
indicator: 200mm.**



2x

23982



X0013B 总长214mm

2x

23979



Apply for:

Fiat 500 (Latin America)

2008-2011

Fiat Grande Punto (Latin America)



2007-2010

SR0334.07	Dimension (mm)	Thickness (mm)		NOTE 4 identical, 1 with warn indicator: 200mm.
				

取消 SR0334.07=SR0334.05+FJB0621.01

Apply for:

Fiat 500 (Latin America)	2008-2011
Fiat Grande Punto (Latin America)	2007-2010

SR0334.08	Dimension (mm)	Thickness (mm)		NOTE
				

取消 SR0334.08=SR0334.02+FJB0621.01

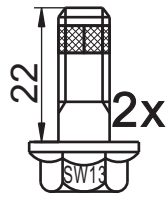
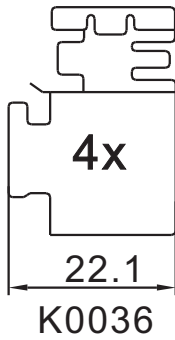
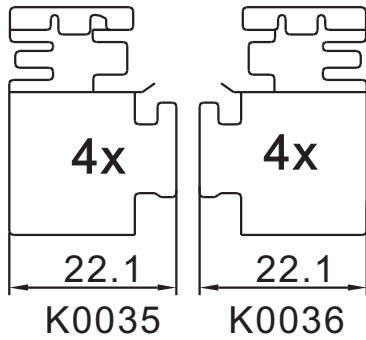
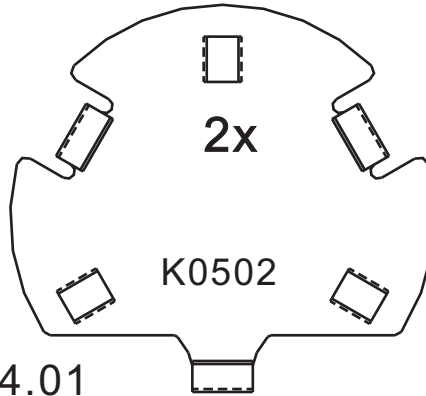
Apply for:

Fiat's MPV (119)	2001/03-
Opel ADAM	2012/10-
Waxman hall ADAM	2012/10-

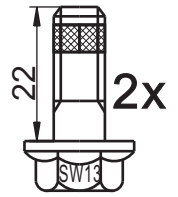
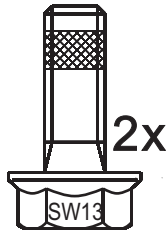
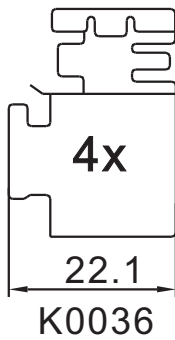
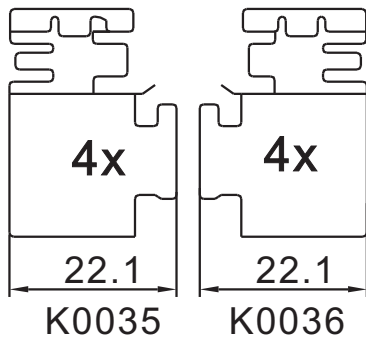
SR0334Dimension
(mm)Thickness
(mm)**NOTE**

附件包

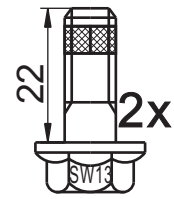
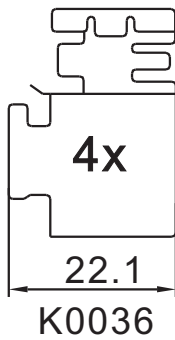
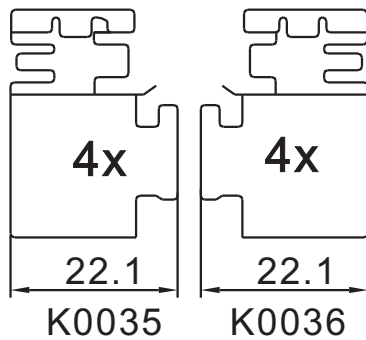
Accessory bag

M8×1
L0015

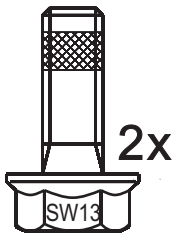
FJB0334.01

M8×1
L0015
FJB334.03M8X22
L0020

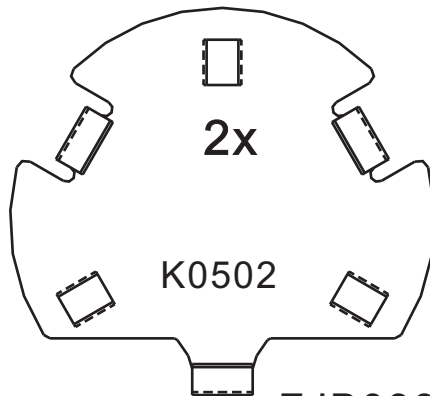
FJB0334.02

M8×1
L0015

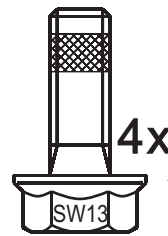
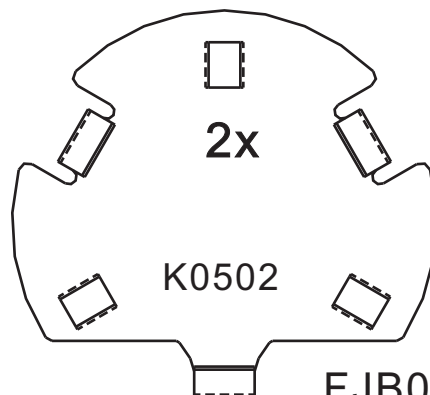
FJB0627.01

M8X22
L0020

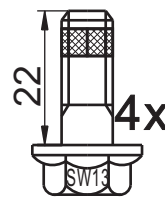
FJB0621.01



FJB0334.04

M8X22
L0020

FJB0334.05

M8×1
L0015

SR0335.01

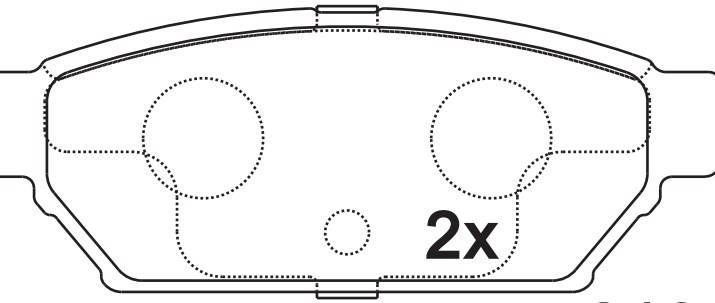
**Dimension
(mm)**

**Thickness
(mm)**

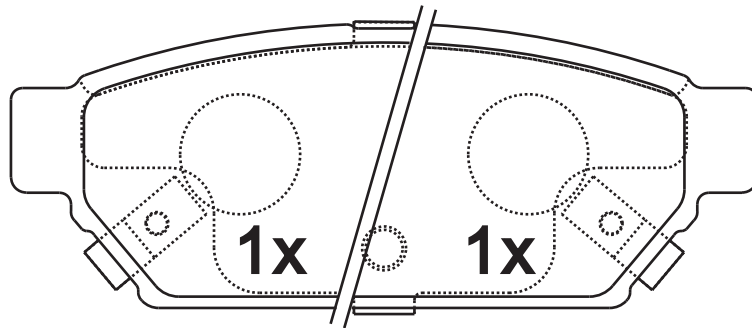


NOTE

4 identical, 1 with acoustic indicator (left), 1 with acoustic indicator (right).



21872



21873

21874

Apply for:

Mitsubishi Carisma
Mitsubishi Carisma

Hatchback
Saloon

07.95-06.06
05.97-06.06

SR0336.01

**Dimension
(mm)**

87.1×47.2

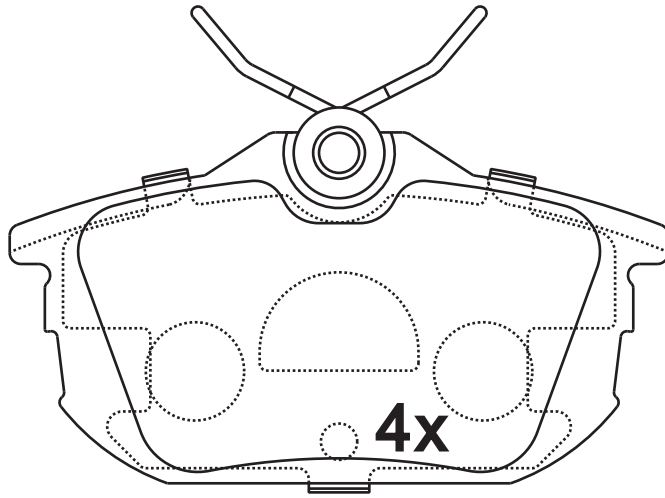
**Thickness
(mm)**

15.2



NOTE

4 identical;



21861

2x



Apply for:

Mitsubishi Colt VI

Hatchback

06.04-06.12

SR0336

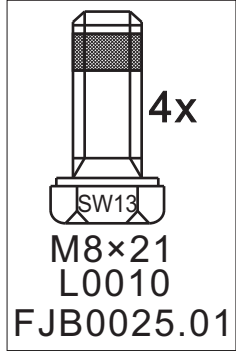
**Dimension
(mm)**

**Thickness
(mm)**



NOTE

**附件包
Accessory bag**



SR0337.01

**Dimension
(mm)**

119.5×71.7

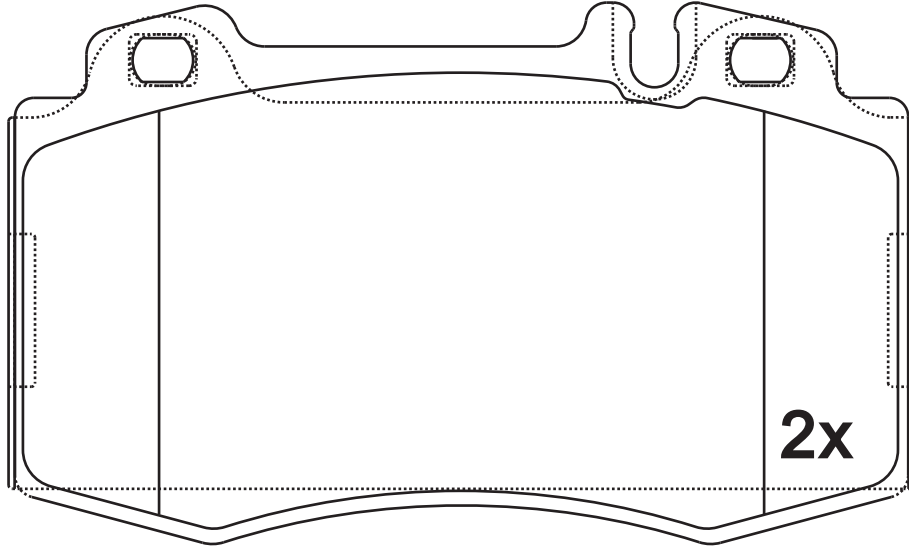
**Thickness
(mm)**

17.4

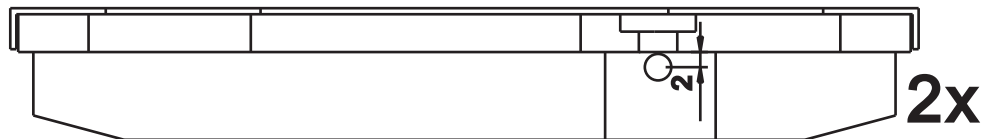
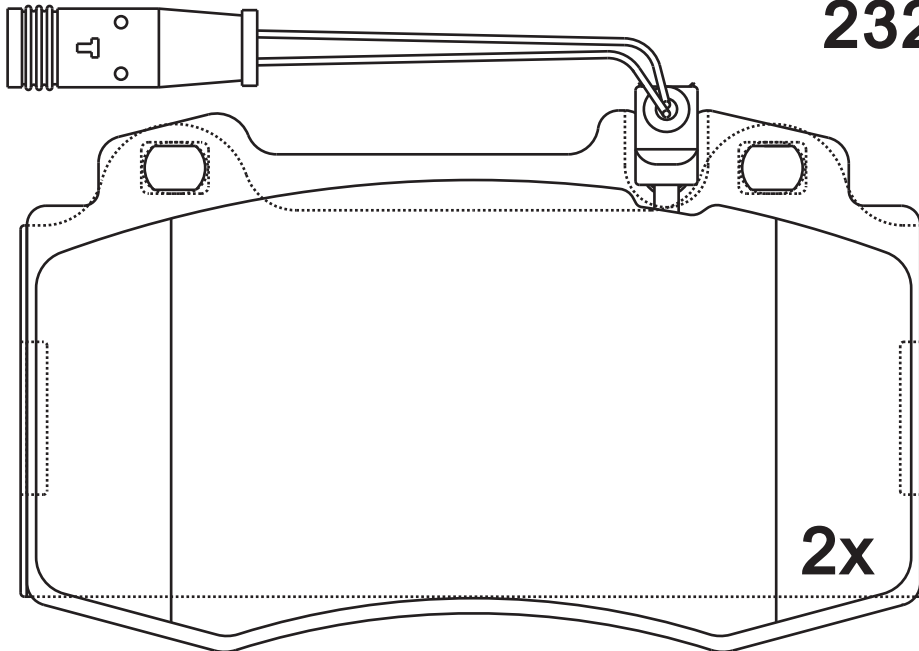


NOTE

4 identical, 2 with warn indicator;



23271



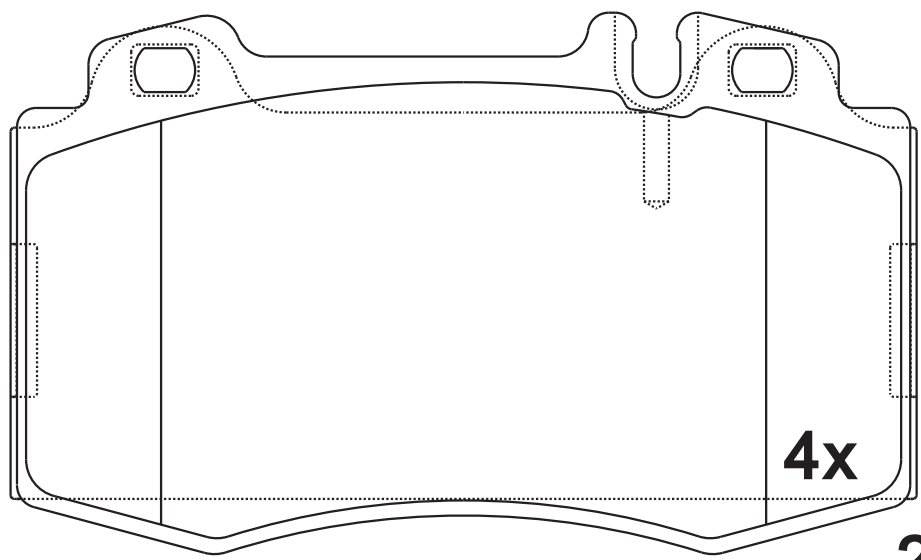
Apply for:

Mercedes S-class	Saloon	10.98-08.05
Mercedes SL	Convertible	10.01-01.12
Mercedes SLK	Convertible	06.04-02.11
Mercedes CLK	Coupe	01.05-05.09
Mercedes CLK	Convertible	02.03-03.10
Mercedes CLS	Coupe	10.04-12.10
Mercedes E-class	Saloon	03.02-12.08

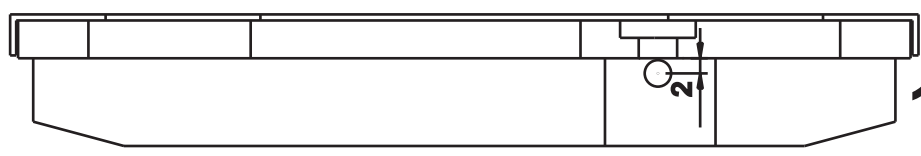
SR0337.02

Dimension (mm)	Thickness (mm)	
119.5×71.7	17.4	

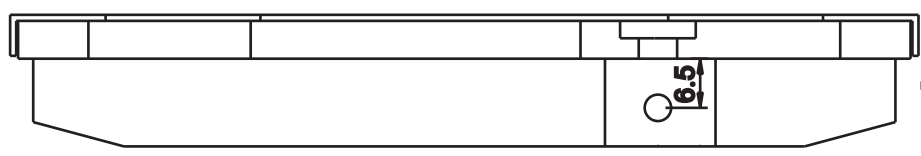
NOTE
4 identical;



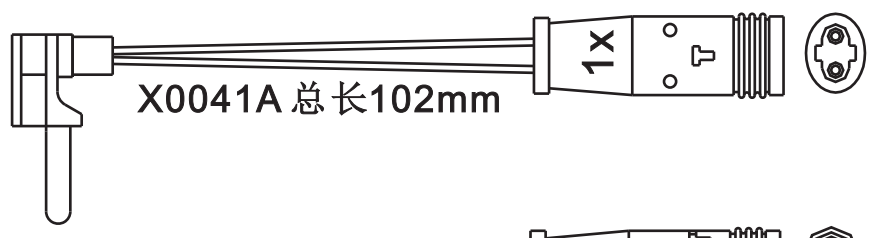
23271



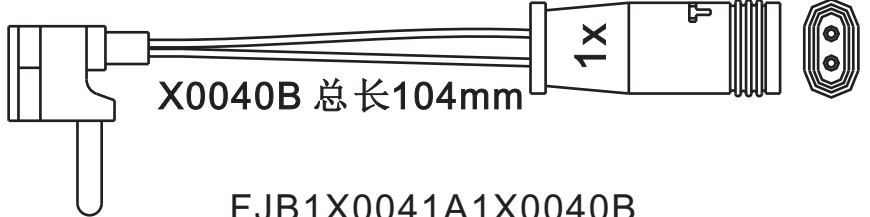
1x



1x



X0041A 总长102mm



X0040B 总长104mm

FJB1X0041A1X0040B

Apply for:

Mercedes S-class	Saloon	10.98-08.05
Mercedes SL	Convertible	10.01-01.12
Mercedes SLK	Convertible	06.04-02.11
Mercedes CLK	Coupe	01.05-05.09
Mercedes CLK	Convertible	02.03-03.10
Mercedes CLS	Coupe	10.04-12.10

SR0337.03

**Dimension
(mm)**

119.5×71.7

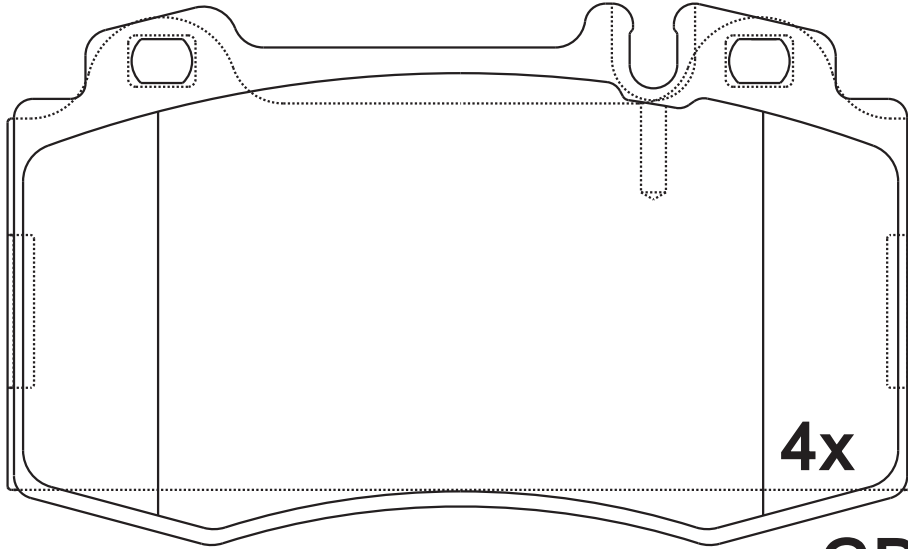
**Thickness
(mm)**

17.4

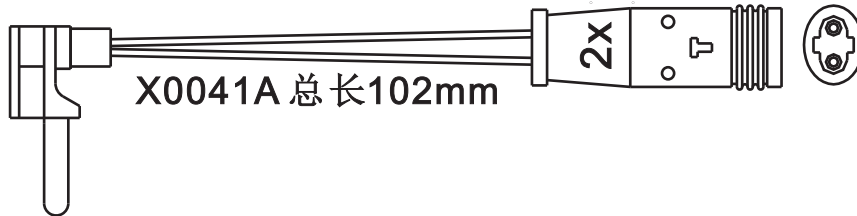
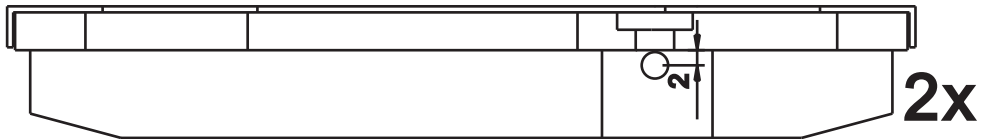


NOTE

4 identical;



GDB1454



Apply for:

Mercedes S-class
Mercedes SL
Mercedes SLK
Mercedes CLK
Mercedes CLK
Mercedes CLS

Saloon
Convertible
Convertible
Coupe
Convertible
Coupe

10.98-08.05
10.01-01.12
06.04-02.11
01.05-05.09
02.03-03.10
10.04-12.10

SR0338.01

**Dimension
(mm)**

**Thickness
(mm)**

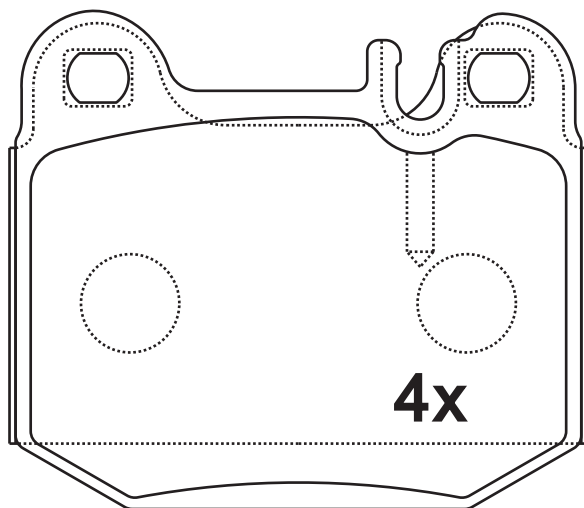


NOTE

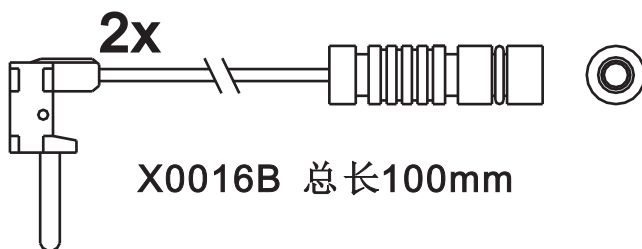
4 identical, 2 with warn indicator.

76.4×65.5

15.3



23157



Apply for:

Mercedes M-class

Closed off-Road

02.98-06.05

SR0338.02

**Dimension
(mm)**

**Thickness
(mm)**

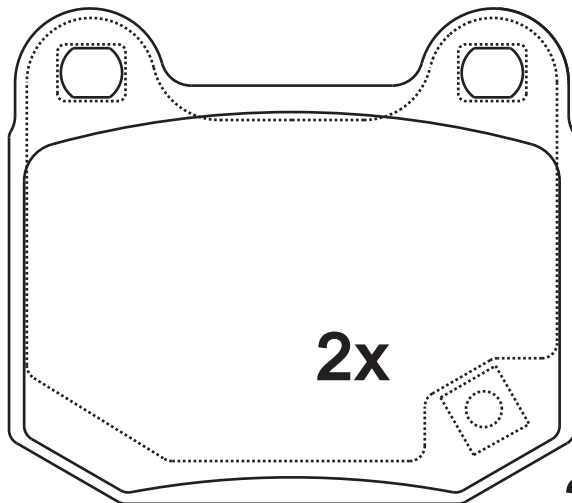


NOTE

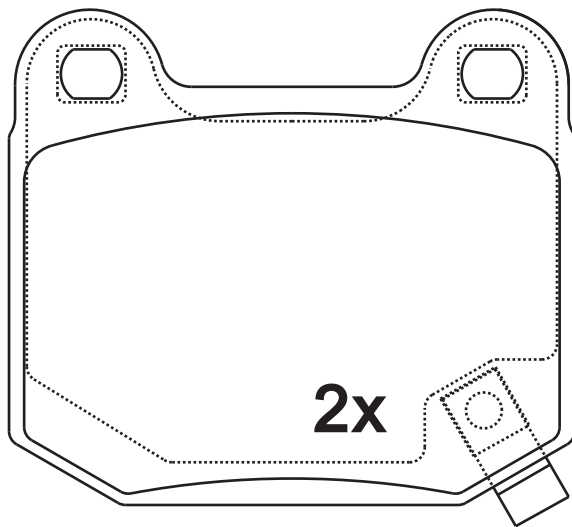
**4 identical, 1 with
acoustic indicator(right).**

76.5×65.5

14.6



21580



21581

Apply for:

- 三菱 LANCER VII (CS_A, CT_A) 2.0 4WD 2005-2006
- 三菱 LANCER VII (CS_A, CT_A) EVO IX (CT9A) 2005-2006
- 三菱 LANCER VII (CS_A, CT_A) EVO VII (CT9A) 2001-2003

SR0338.03

**Dimension
(mm)**

76.7×65

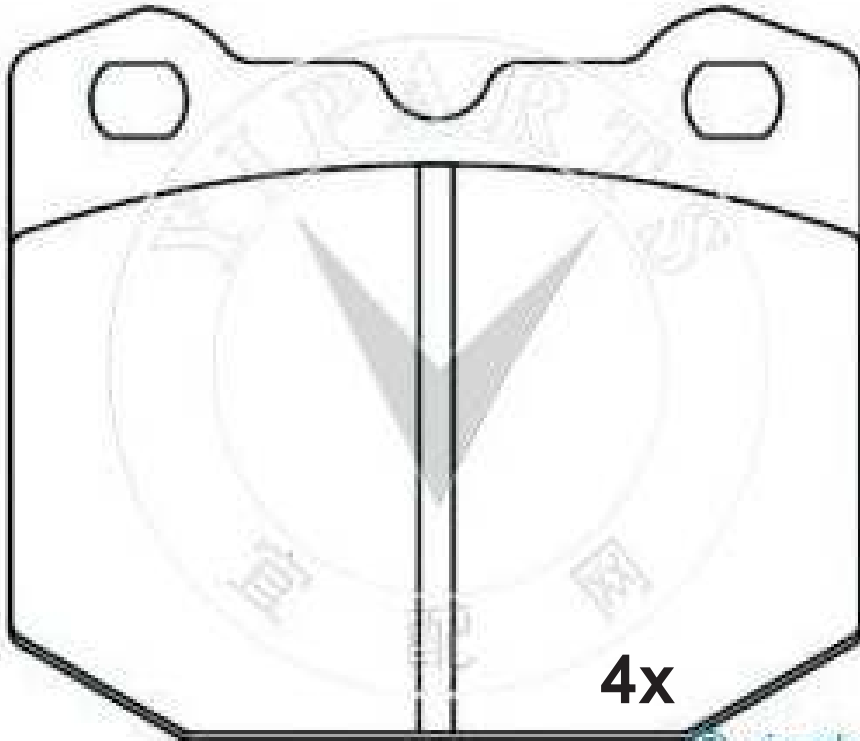
**Thickness
(mm)**

16.5



NOTE

4 identical,



© yiparts.com

D513-7043

Apply for:

BMW 318i	1984-1985
BMW 325	1987-1988
BMW 325e	1984-1987
BMW 325es	1985-1987

SR0339.01

**Dimension
(mm)**

**Thickness
(mm)**

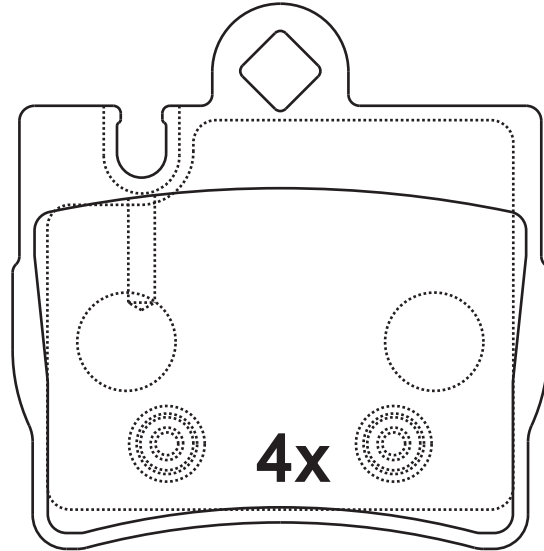


NOTE

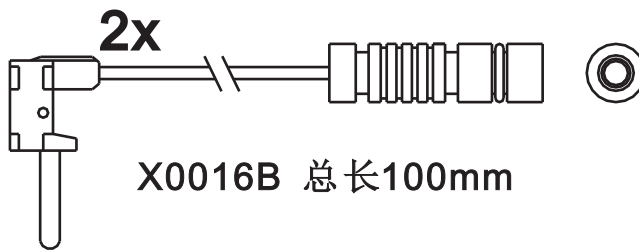
**4 identical, 2 with warn
indicator.**

70.9×72.1

15.9



23078



Apply for:

Mercedes S-class

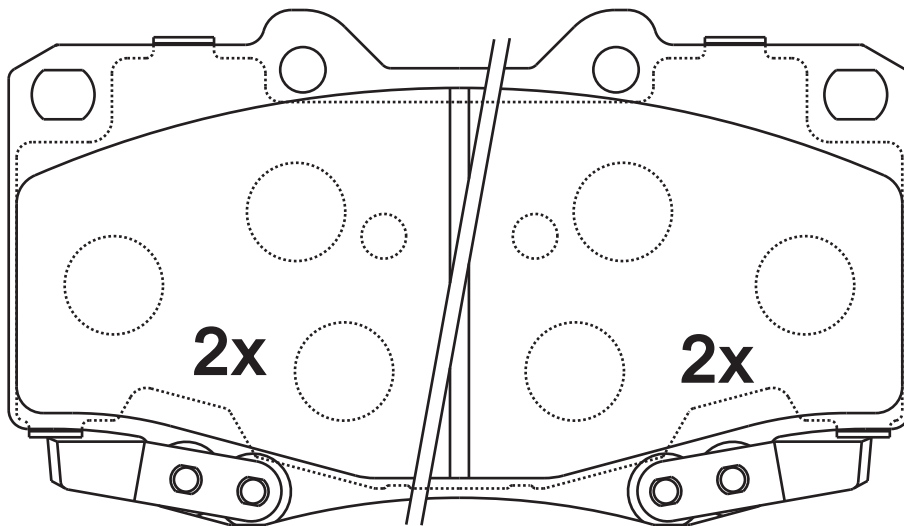
Saloon

10.98-08.05

SR0340.01

Dimension (mm)	Thickness (mm)	
119.2×68.1	15	

NOTE
2 identical;2 identical;



21679

21680

Apply for:

Toyota Hilux III

Pickup

08.05-

SR0340.02

**Dimension
(mm)**

119.2×68.1

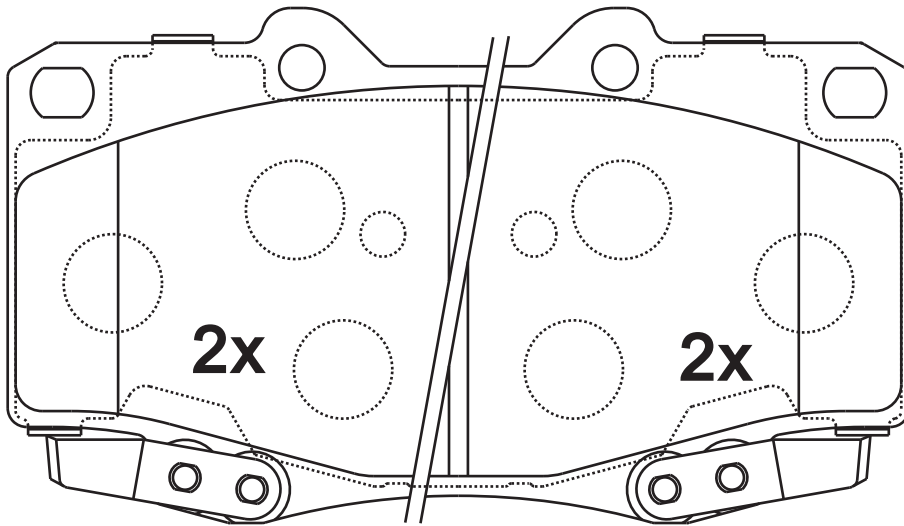
**Thickness
(mm)**

17



NOTE

2 identical;2 identical;



21679

21680

Apply for:

Toyota Hilux III

Pickup

08.05-

SR0341.01

**Dimension
(mm)**

140.1×51.9

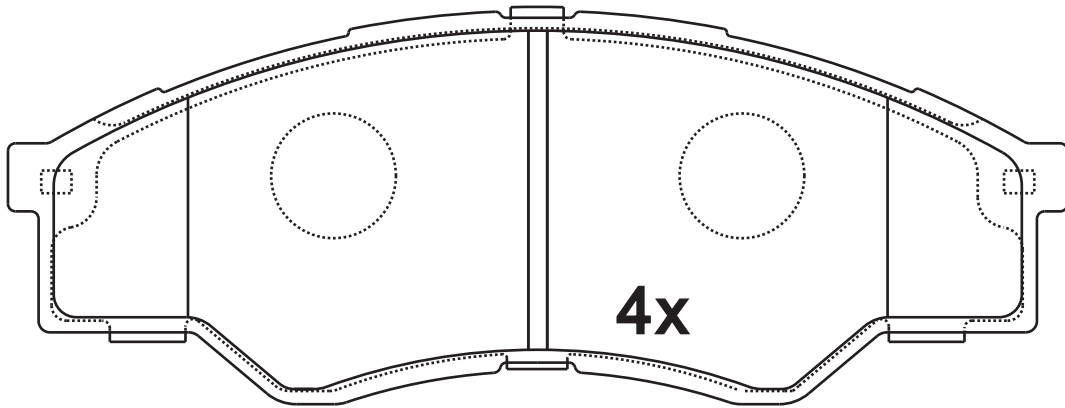
**Thickness
(mm)**

16



NOTE

4 identical;



24567

Apply for:

Toyota Hilux III

Pickup

08.05-

SR0342.01

**Dimension
(mm)**

**Thickness
(mm)**

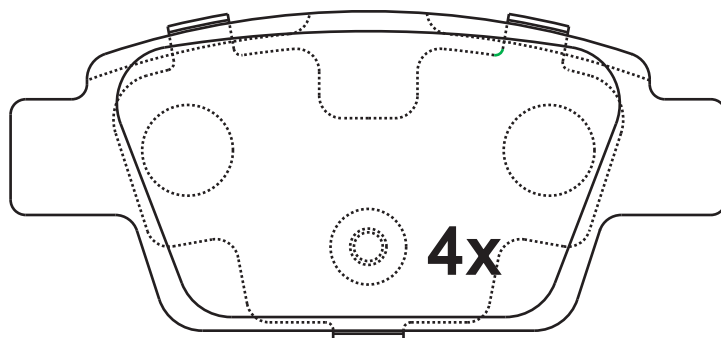


NOTE

4 identical;

94.6×42.2

17.6





23714

Apply for:

Fiat Bravo II
Fiat Stilo
Fiat Stilo

Hatchback
Hatchback
Estate

04.07-
10.01-11.06
01.03-08.08

SR0342.02	Dimension (mm)	Thickness (mm)		NOTE
	94.8×42.9	16.6		4 identical;



取消 SR032.02=SR0342.01+FJB0621.01

Apply for:

Fiat Bravo II	Hatchback	04.07-
Fiat Stilo	Hatchback	10.01-11.06
Fiat Stilo	Estate	01.03-08.08

SR0342.03

**Dimension
(mm)**

**Thickness
(mm)**

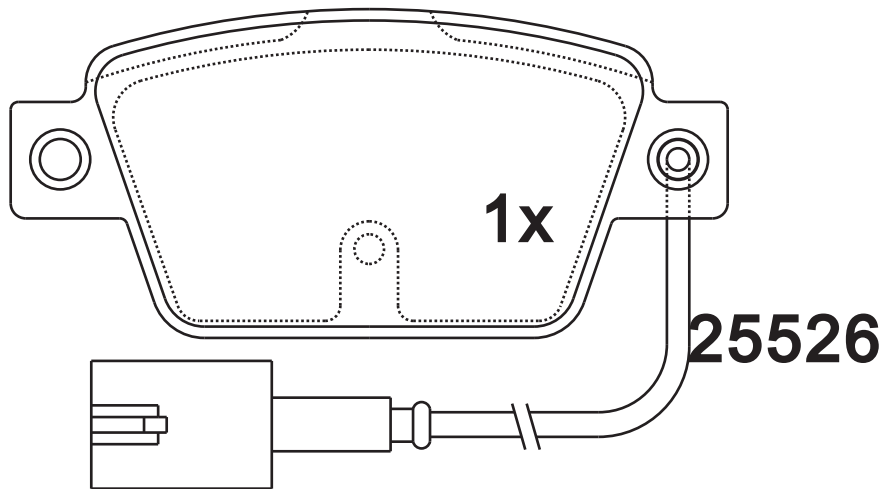
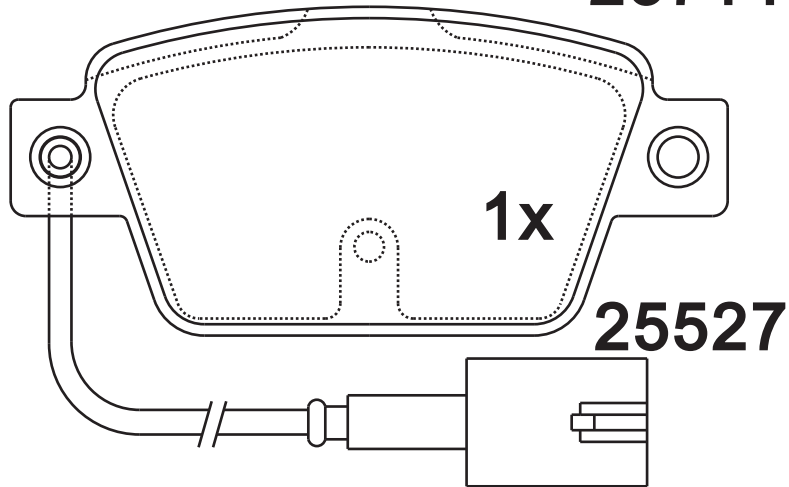
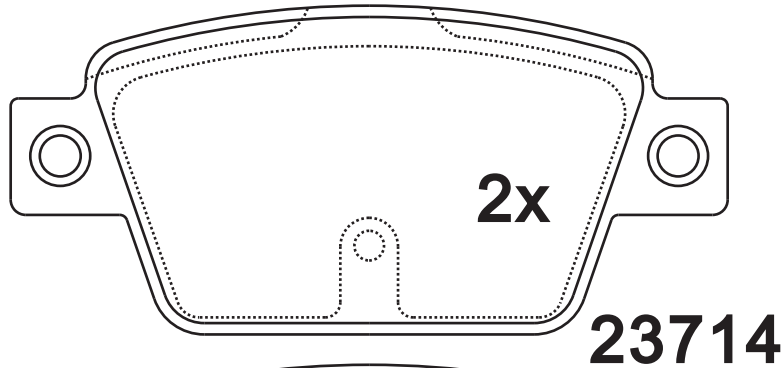


NOTE

4 identical,

94.8×42.9

17.6



Apply for:

阿尔法-罗蜜欧	MITO (955_)	0.9	2013-
阿尔法-罗蜜欧	MITO (955_)	1.4	2008-
阿尔法-罗蜜欧	MITO (955_)	1.3 MultiJet	2009-
阿尔法-罗蜜欧	MITO (955_)	0.9 TwinAir	2011-

SR0342

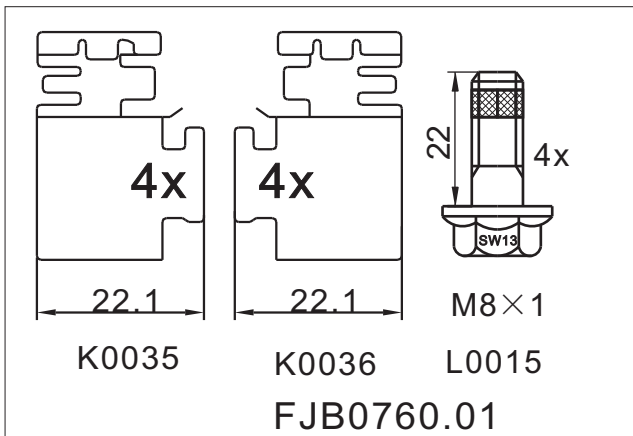
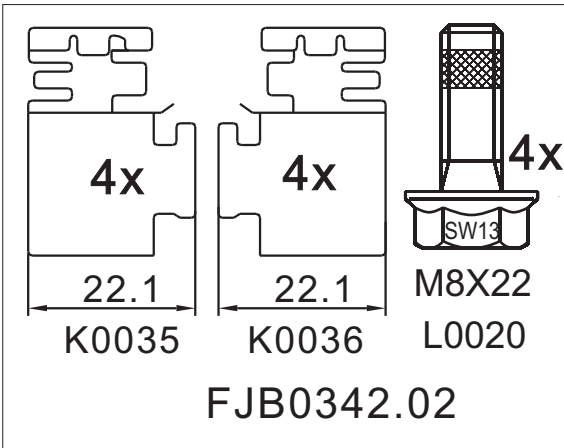
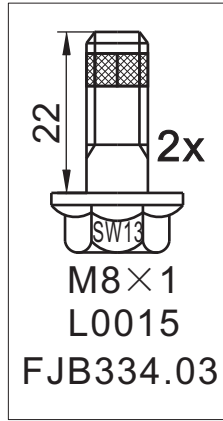
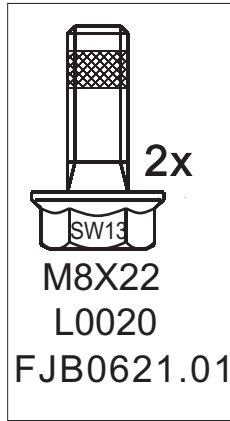
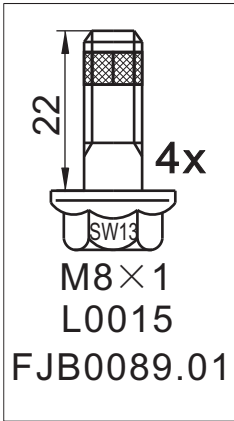
Dimension
(mm)

Thickness
(mm)



NOTE

附件包
Accessory bag



SR0343.01

**Dimension
(mm)**

136.5×52.3

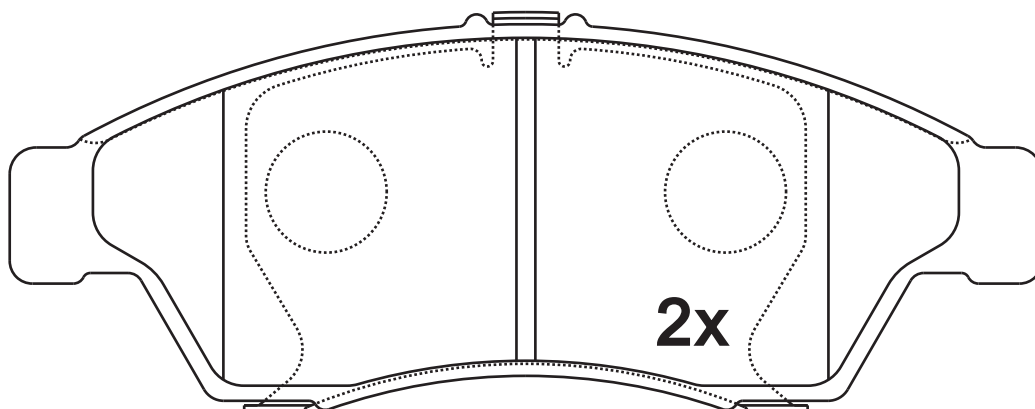
**Thickness
(mm)**

16.6

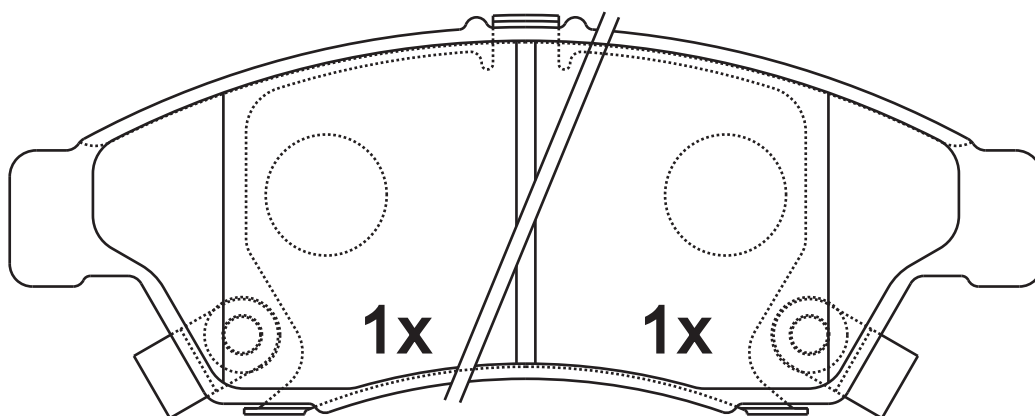


NOTE

4 identical, 1 with acoustic indicator (left), 1 with acoustic indicator (right).



23817



24034

24035

Apply for:

Suzuki Liana
Suzuki Liana

Saloon
Estate

10.01-
07.01-

SR0344.01

**Dimension
(mm)**

**Thickness
(mm)**

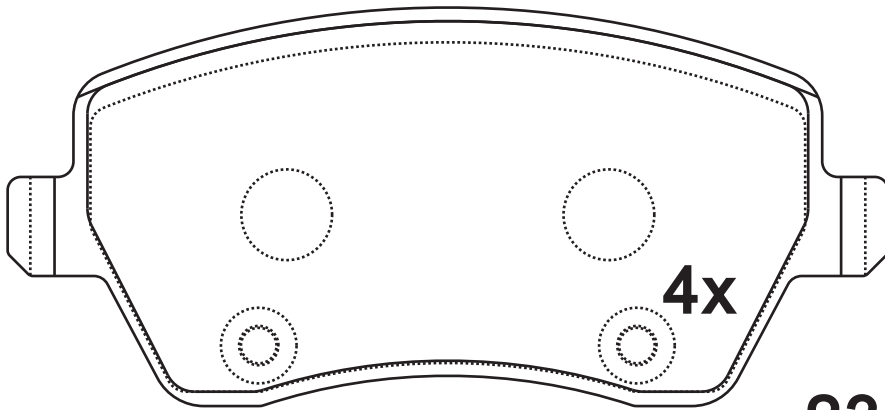


NOTE

4 identical;

116.4×52.7

17.4



23973

Apply for:

Nissan Note
Renault Clio III
Renault Modus

MPV
Hatchback
Hatchback

03.06-
06.05-
12.04-

SR0344.02

**Dimension
(mm)**

116.4×52.7

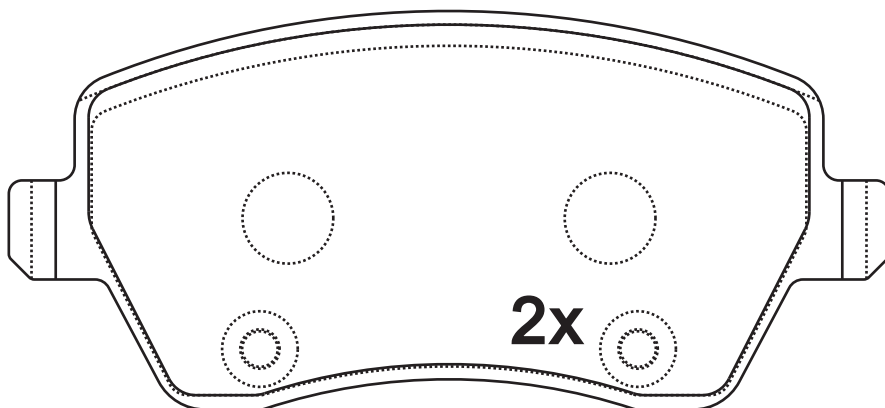
**Thickness
(mm)**

17.4

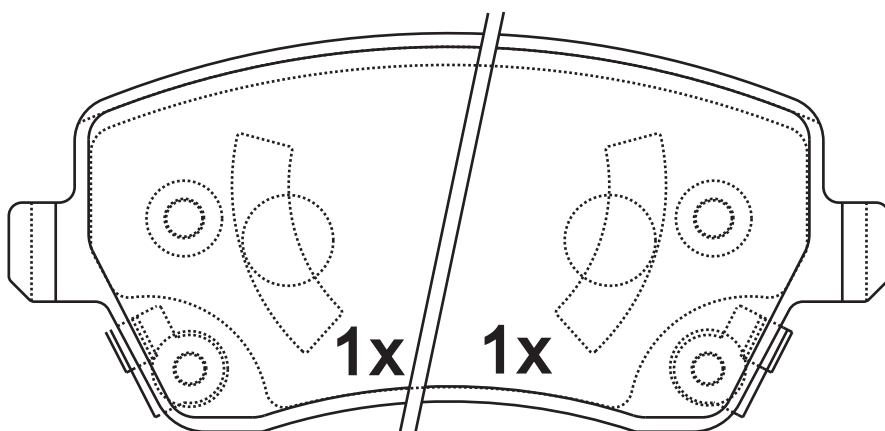


NOTE

4 identical, 1 with acoustic indicator (left), 1 with acoustic indicator (right).



23973



24403

24403

Apply for:

Nissan Micra IV
Nissan Note

Hatchback
Hatchback

05.10-
06.13-

SR0344.03

**Dimension
(mm)**

116.1×52.6

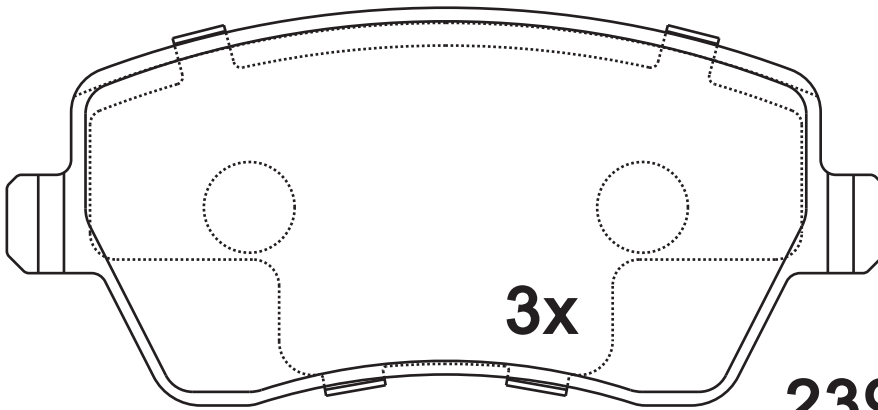
**Thickness
(mm)**

17.3

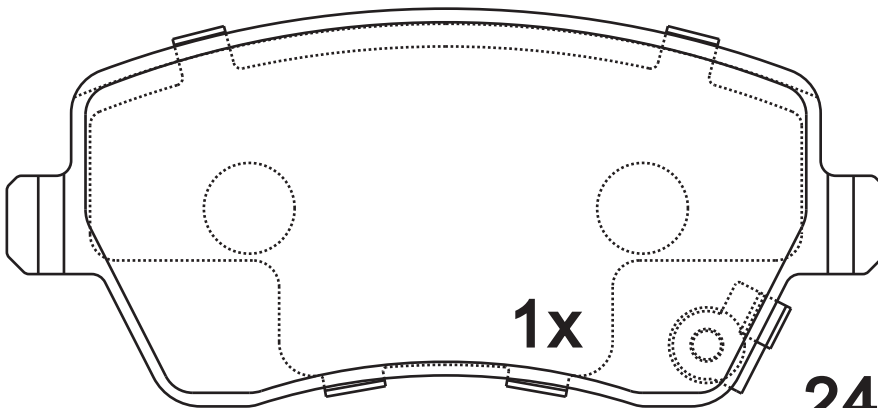


NOTE

**4 identical, 1 with
acoustic indicator(left).**



23973



24403

Apply for:

Suzuki Swift (Latin America)

2007-2010

SR0344

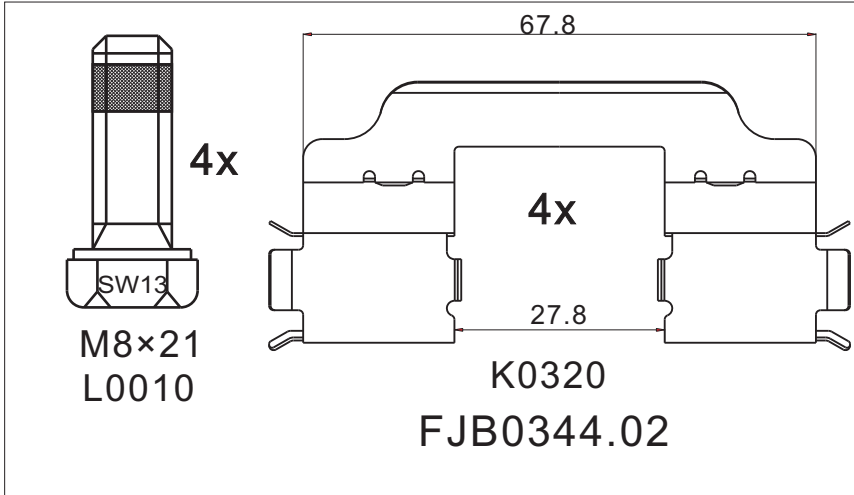
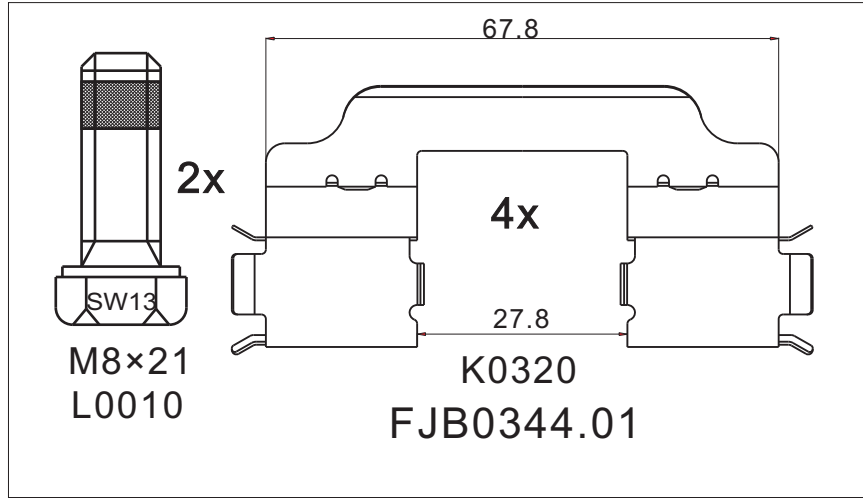
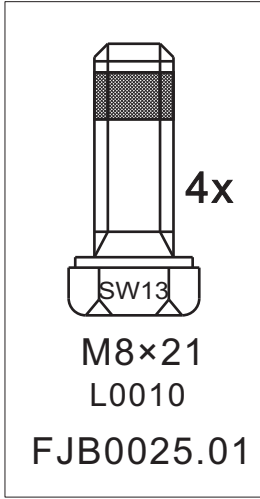
**Dimension
(mm)**

**Thickness
(mm)**



NOTE

附件包
Accessory bag



SR0345.01

**Dimension
(mm)**

157.6×56.9

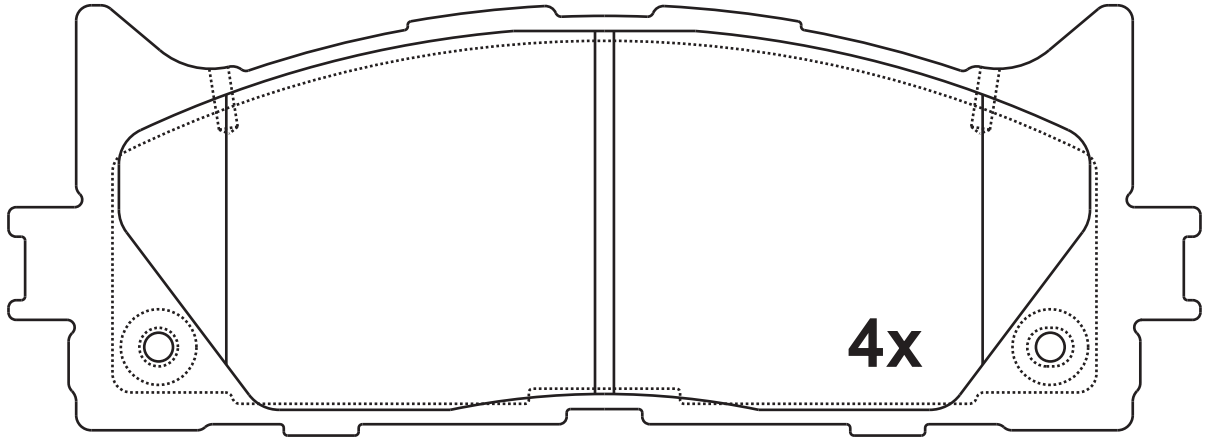
**Thickness
(mm)**

17.3



NOTE

4 identical;



24350

Apply for:

Lexus ES
Toyota Camry

Saloon
Saloon

06.12-
09.11-

SR0345

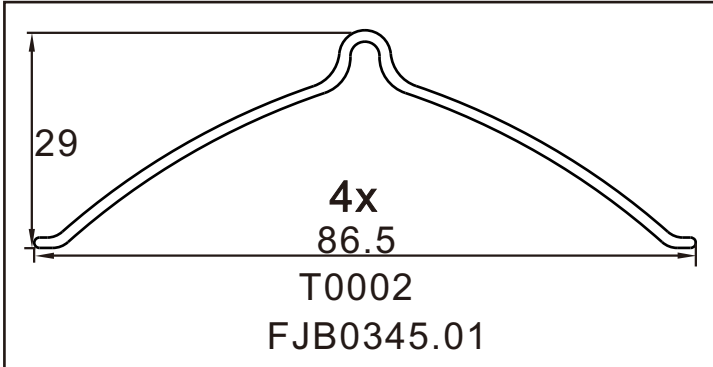
**Dimension
(mm)**

**Thickness
(mm)**



NOTE

**附件包
Accessory bag**



SR0346.01

**Dimension
(mm)**

**Thickness
(mm)**

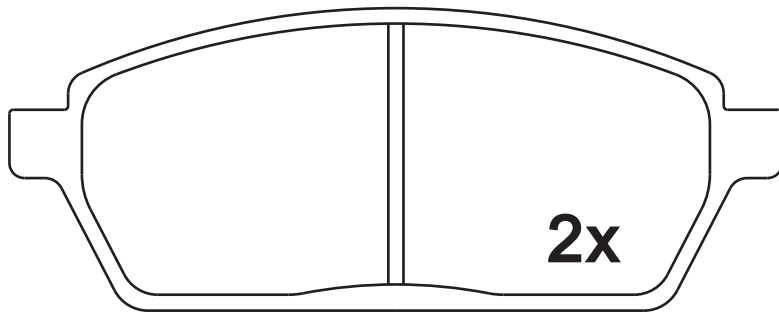


NOTE

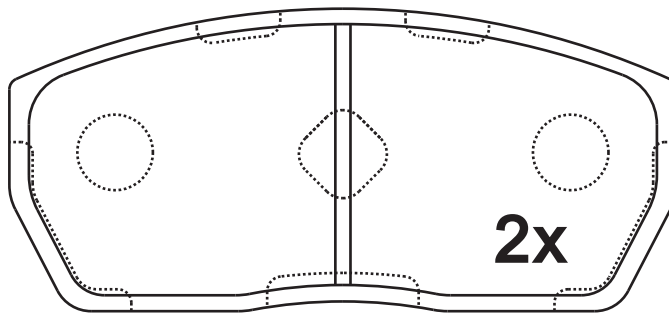
2 identical;2 identical;

102.2/88.2×40

15.2



23303



23304

Apply for:

Suzuki Super Carry

Bus

07.85-03.99

SR0347.01

**Dimension
(mm)**

72.9×60.6

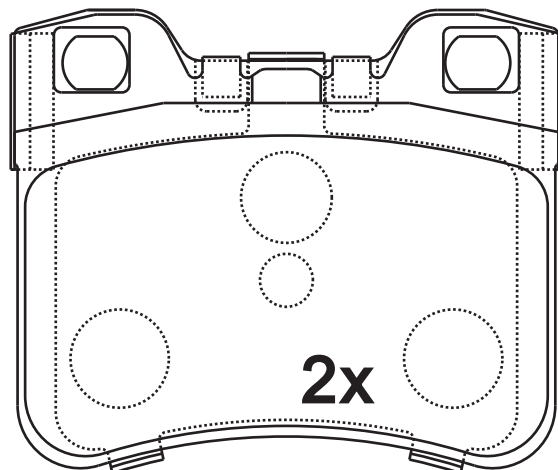
**Thickness
(mm)**

16.8

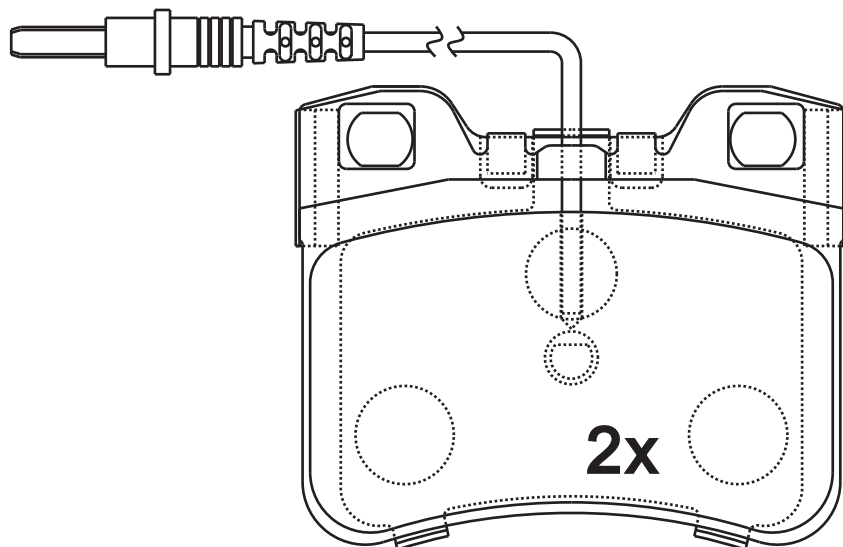


NOTE

**2 identical; 2 identical
with warn indicator :
214mm;**



X0318B 总长214mm



21289

Apply for:

Citroen AX

Hatchback

09.86-04.97

SR0347.02

**Dimension
(mm)**

72.9×60.6

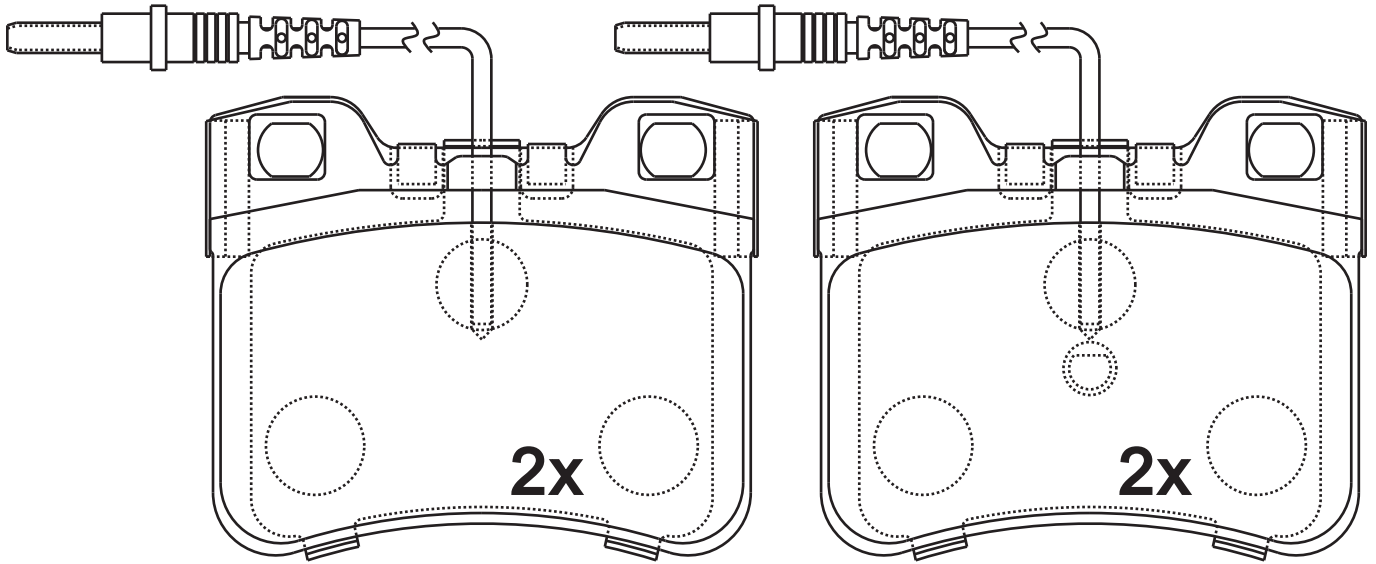
**Thickness
(mm)**

16.8



NOTE

**2 identical; 2 identical
with warn indicator :
200mm;**



21289

Apply for:

Citroen AX

Hatchback

09.86-04.97

SR0347.03

**Dimension
(mm)**

**Thickness
(mm)**

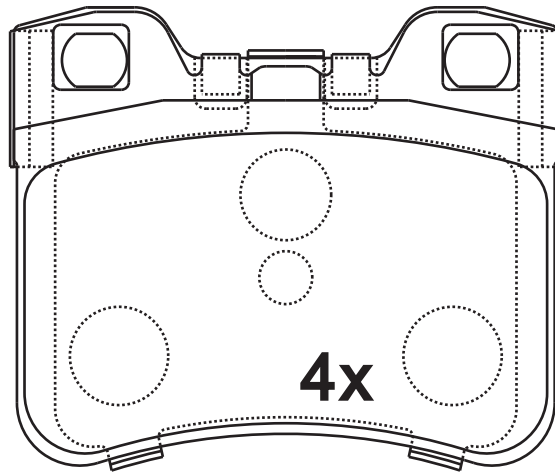


NOTE

**2 identical; 2 identical
with warn indicator :
214mm;**

72.9×60.6

16.8



21857

Apply for:

Citroen AX

Hatchback

09.86-04.97

SR0347

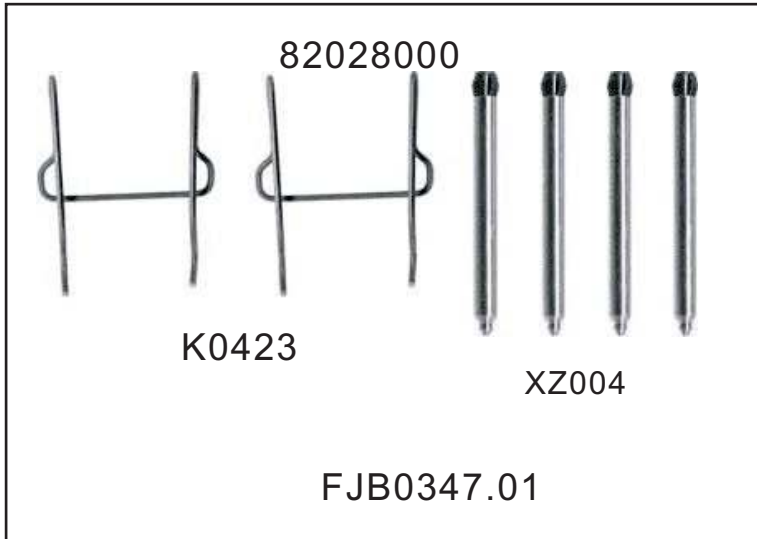
**Dimension
(mm)**

**Thickness
(mm)**



NOTE

**附件包
Accessory bag**



SR0348.01

**Dimension
(mm)**

110×67.5

**Thickness
(mm)**

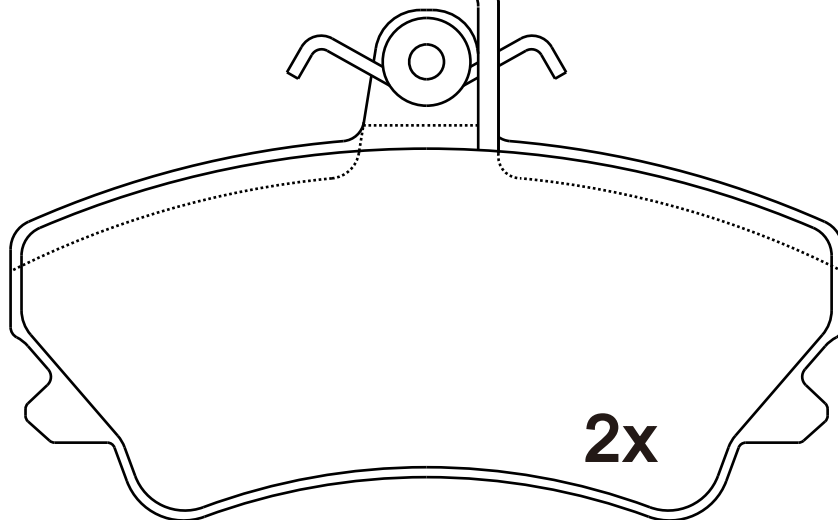
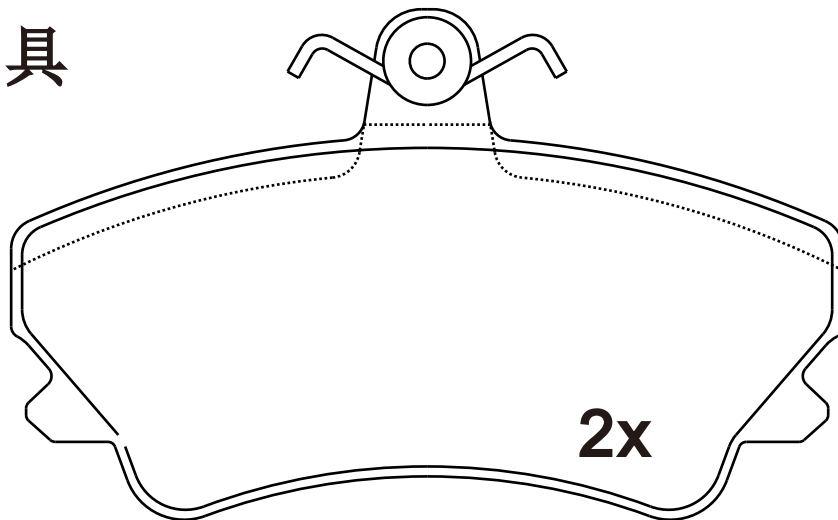
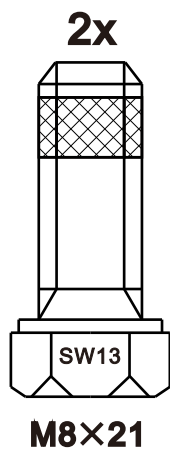
18



NOTE

4 identical, 2 with warn indicator: 290mm.

无模具





20238
(20247)

Apply for:

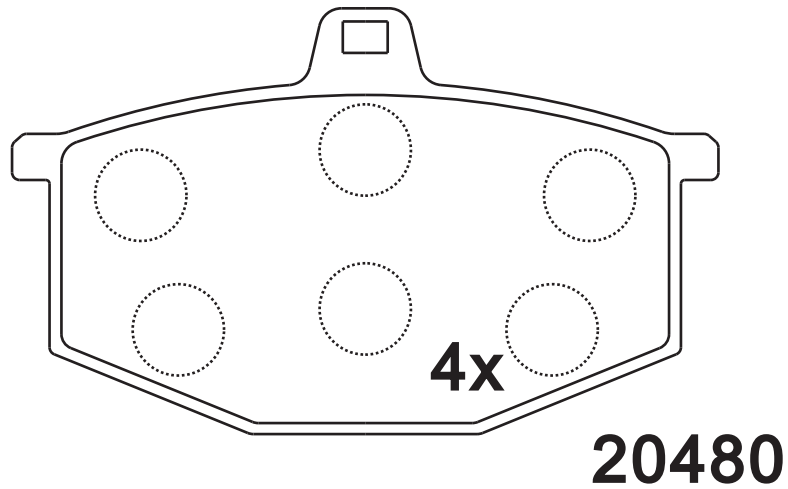
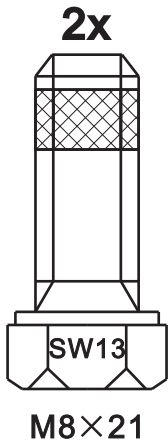
Renault Espace II

MPV

01.91-05.92



SR0349.01	Dimension (mm)	Thickness (mm)		NOTE
	93.4×56.3	15.5		4 identical;

无模具

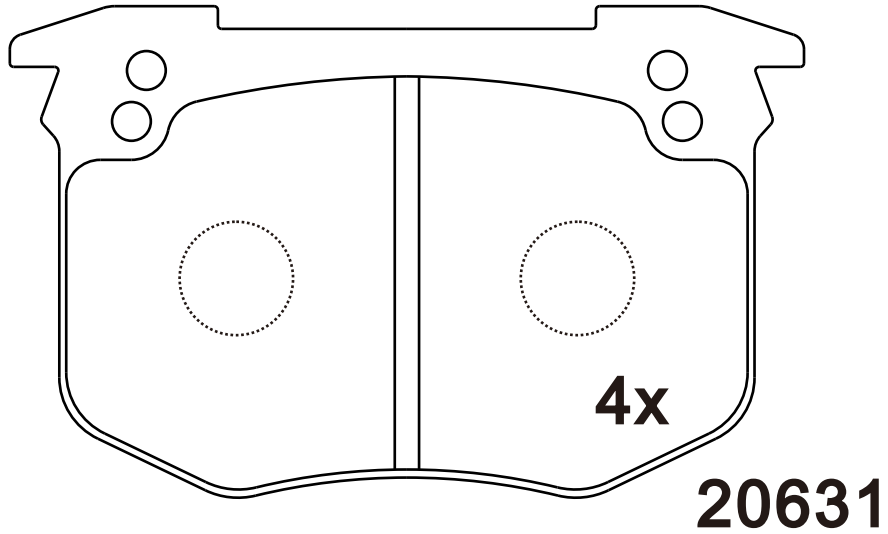


Apply for:

Renault 4	Estate	04.62-12.93
Renault 4	Box	09.66-12.93
Renault 5	Hatchback	01.72-12.85



SR0350.01	Dimension (mm)	Thickness (mm)		NOTE
	105×65	18		4 identical;

无模具

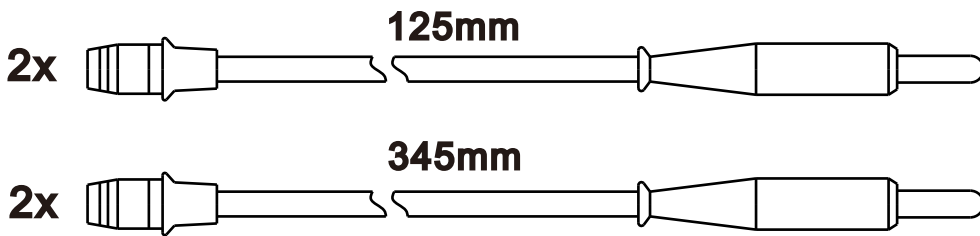
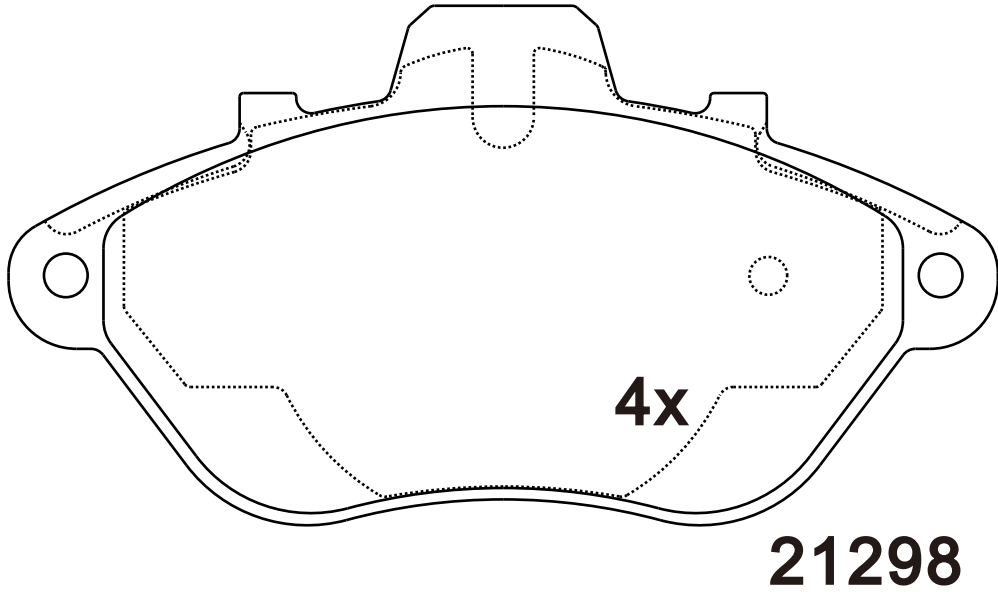


Apply for:

Peugeot 505	Saloon	05.79-12.93
Peugeot 505	Break	04.82-12.93
Peugeot 604	Saloon	08.77-07.87

SR0351.01	Dimension (mm)	Thickness (mm)		NOTE
	130.8×68.7	17		4 identical;

无模具



Apply for:

Peugeot 605

Saloon

06.89-09.99

SR0352.01

**Dimension
(mm)**

**Thickness
(mm)**

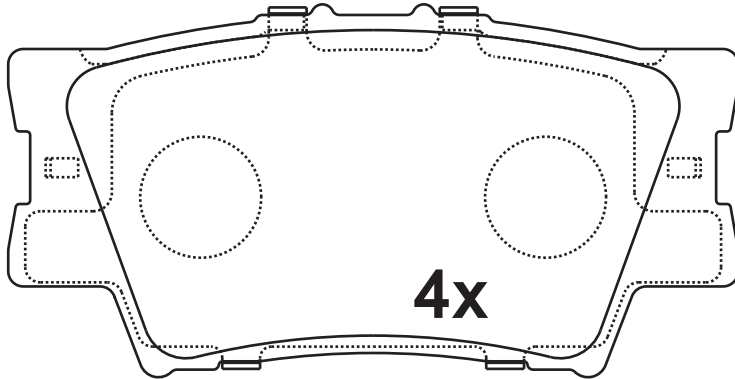


NOTE

4 identical;

96.5×49.3

15.5



24338

Apply for:

Lexus ES	Saloon	06.12-
Toyota Camry	Saloon	09.11-
Toyota Rav 4 III	Closed off-Road	03.06-

SR0353.01

**Dimension
(mm)**

156.4×54.9

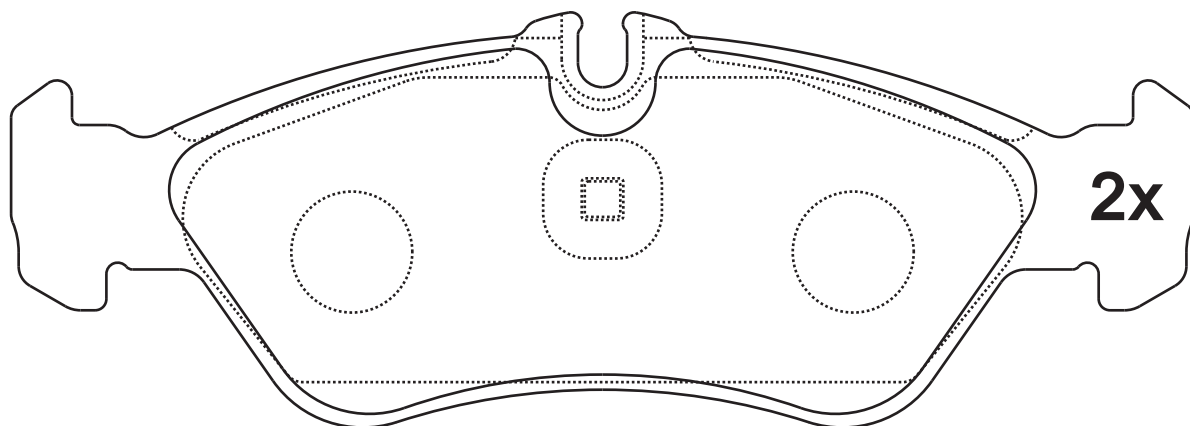
**Thickness
(mm)**

18.8

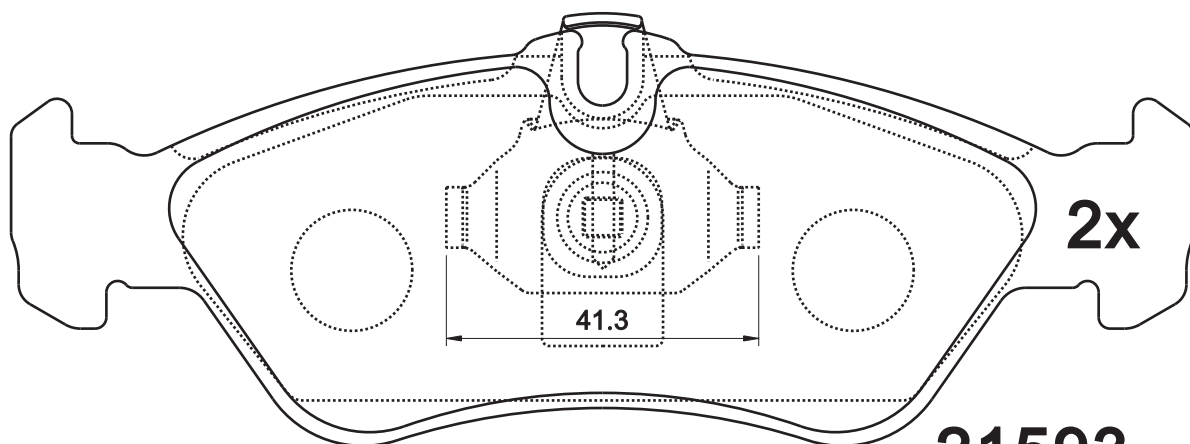


NOTE

**2 identical; 2 identical
with spring.**



21592



21593

Apply for:

Mercedes Sprinter	Box	01.95-05.06
Mercedes Sprinter	Bus	01.95-05.06
Volkswagan LT II	Box	04.96-07.06
Volkswagan LT II	Bus	04.96-07.06

SR0353

**Dimension
(mm)**

**Thickness
(mm)**



NOTE

**附件包
Accessory bag**



Powered by HighRoad 118116-0200.1 390505

82058400

K0414
FJB0353.01

SR0354.01

**Dimension
(mm)**

164.4×72.7

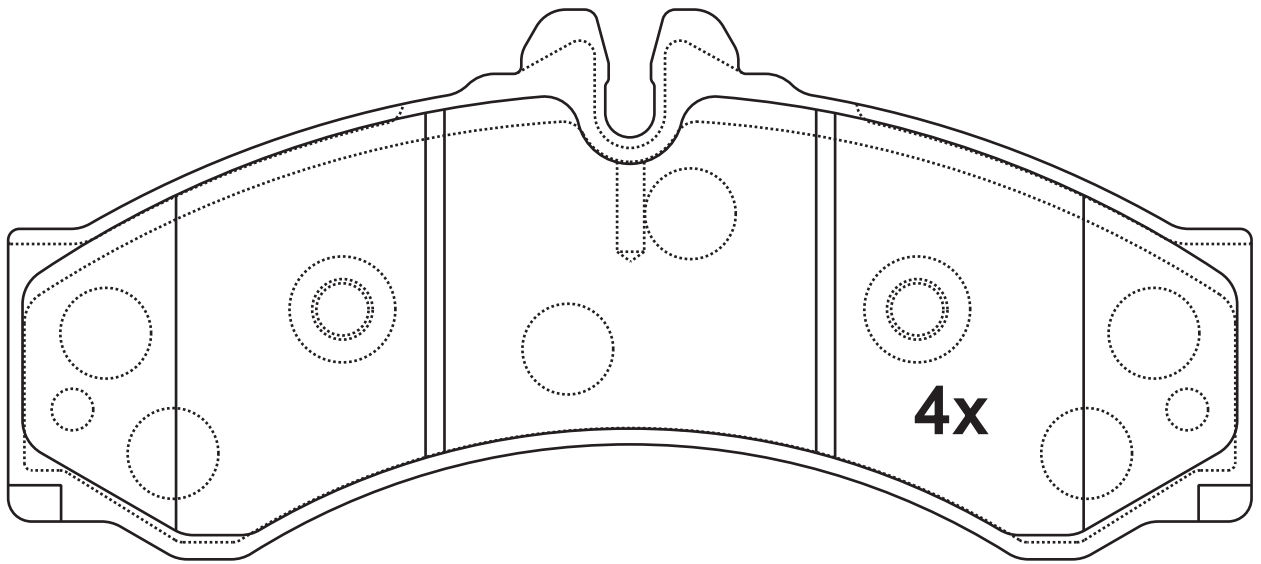
**Thickness
(mm)**

20



NOTE

4 identical;



29153

Apply for:

Mercedes Sprinter	Box	01.95-05.06
Mercedes Sprinter	Bus	01.95-05.06
Volkswagan LT II	Box	04.96-07.06
Volkswagan LT II	Bus	04.96-07.06

SR0354

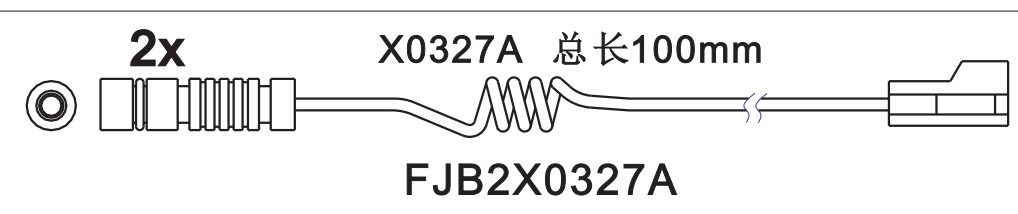
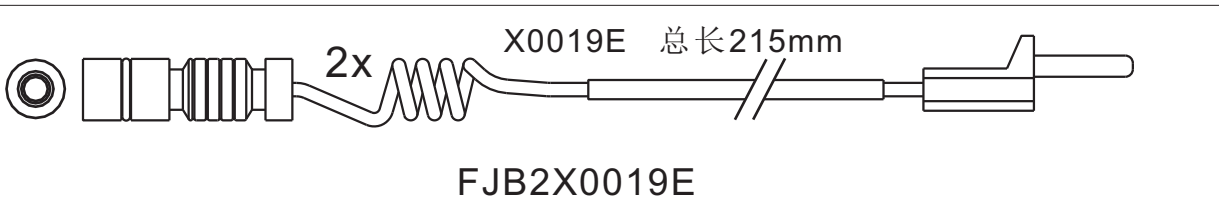
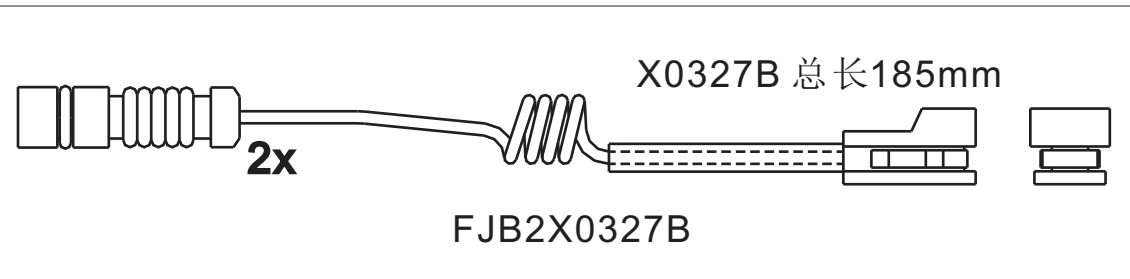
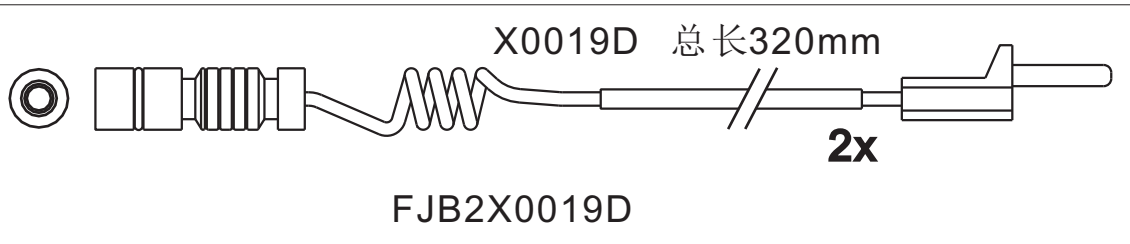
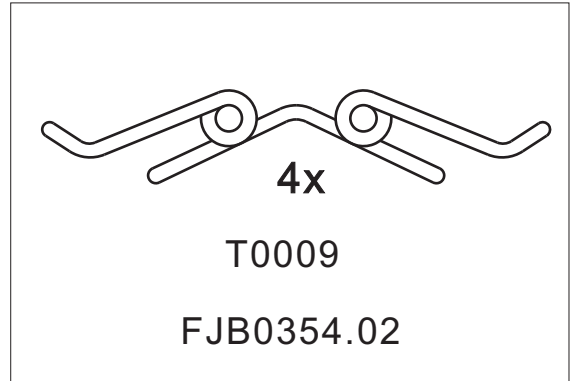
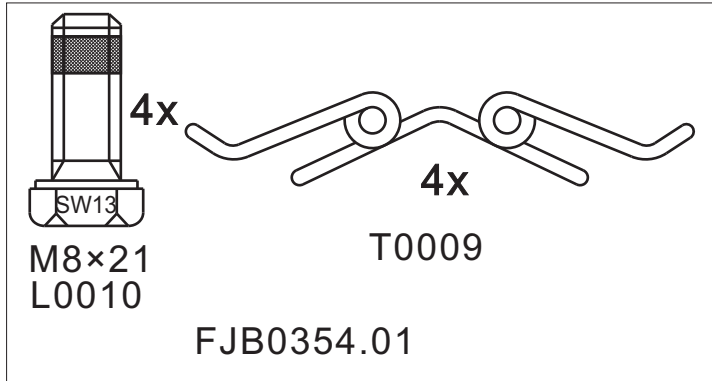
**Dimension
(mm)**

**Thickness
(mm)**



NOTE

**附件包
Accessory bag**



SR0355.01

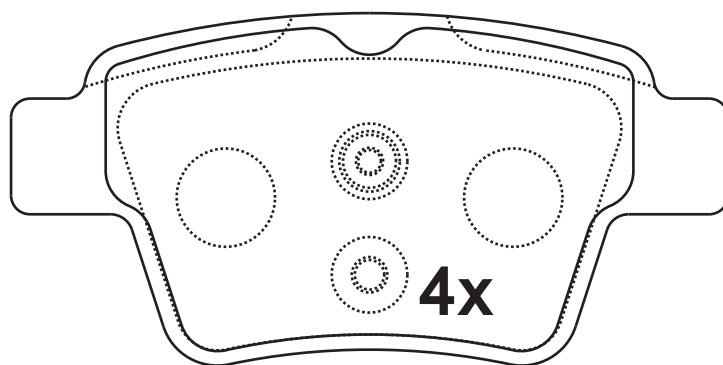
**Dimension
(mm)**

**Thickness
(mm)**



NOTE

4 identical;



24150

Apply for:

Citroen C4 I	Hatchback	11.04-
Citroen C4	Saloon	07.06-
Citroen C4	Coupe	11.04-
Peugeot 207	Hatchback	02.06-
Peugeot 307	Estate	03.05-
Peugeot 307	Convertible	03.05-

SR0355

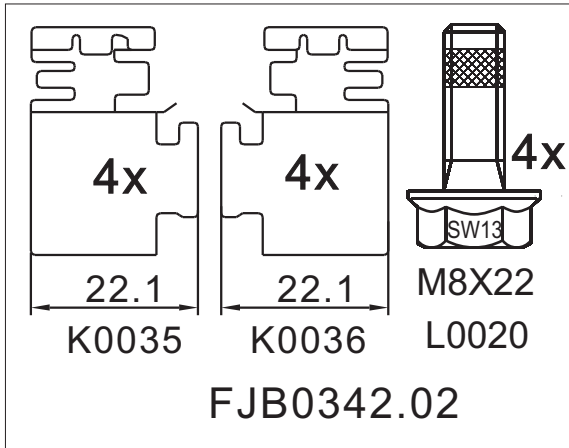
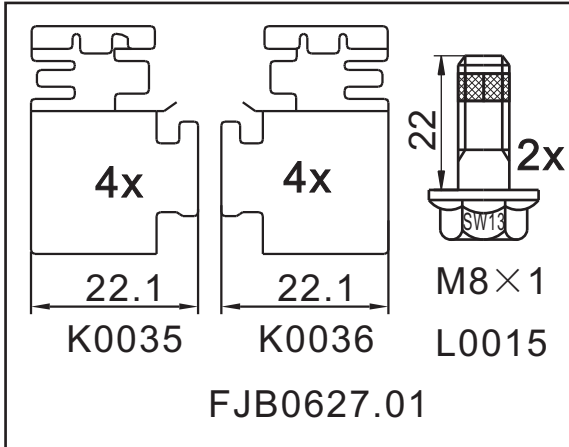
**Dimension
(mm)**

**Thickness
(mm)**



NOTE

**附件包
Accessory bag**



SR0356.01

**Dimension
(mm)**

220×58.4

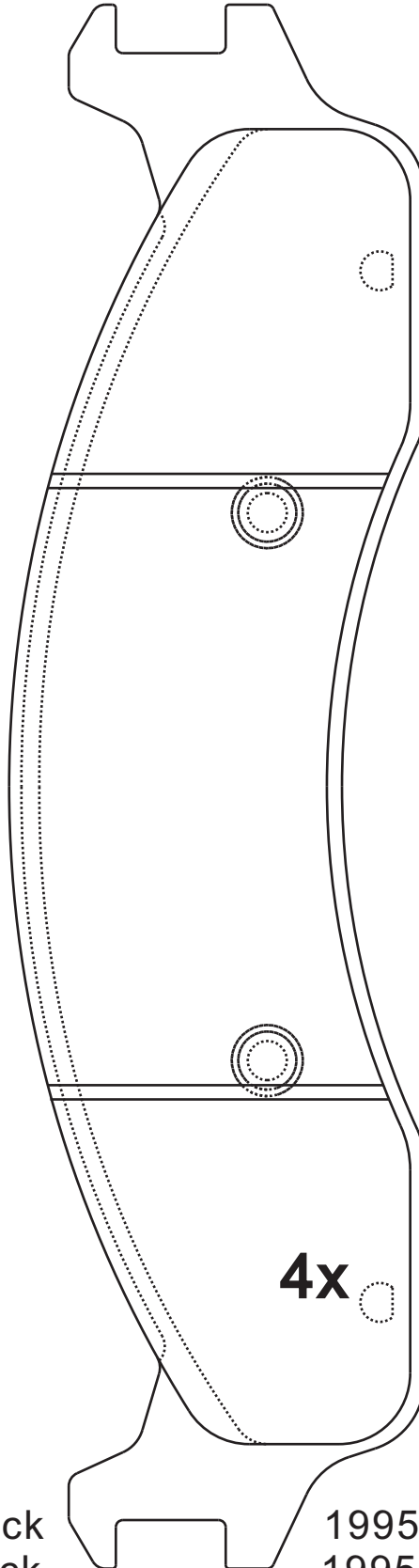
**Thickness
(mm)**

18.7



NOTE

4 identical;



D655

4x

Apply for:

Ford E-250

Ford E-350

Truck

Truck

1995-2005

1995-2005

SR0357.01

**Dimension
(mm)**

88.8×37.6

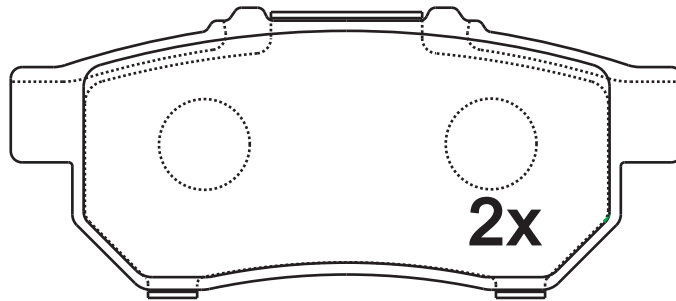
**Thickness
(mm)**

13.5

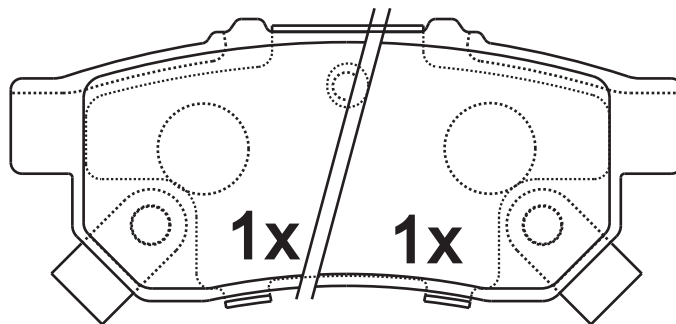


NOTE

4 identical, 1 with acoustic indicator (left), 1 with acoustic indicator (right).



21738



23344

23343

Apply for:

Honda Civic VI
Honda Jazz II
Honda Jazz II

Coupe
Hatchback
Hatchback

04.99-12.00
03.02-07.08
07.08-

SR0358.01

**Dimension
(mm)**

**Thickness
(mm)**

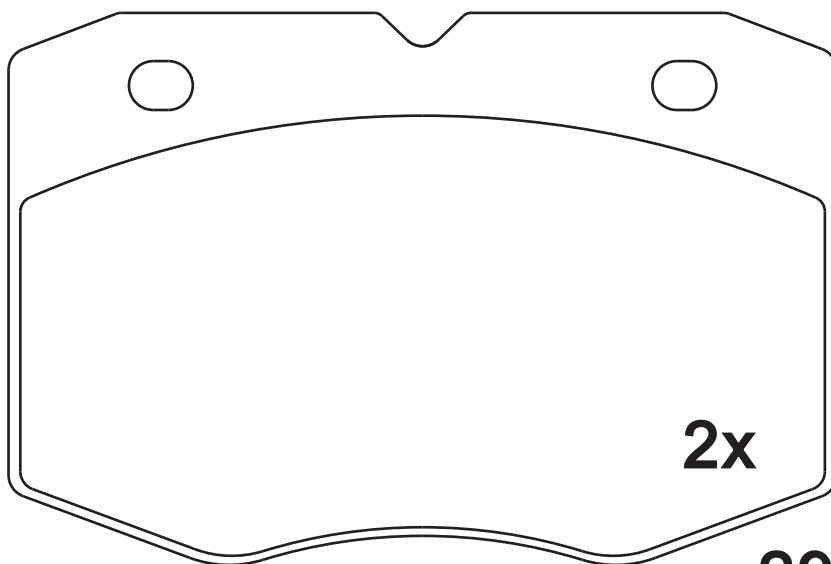


NOTE

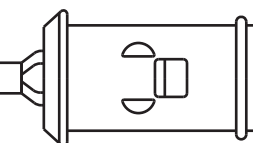
**4 identical, 2 with warn
indicator: 150mm.**

109.5×73

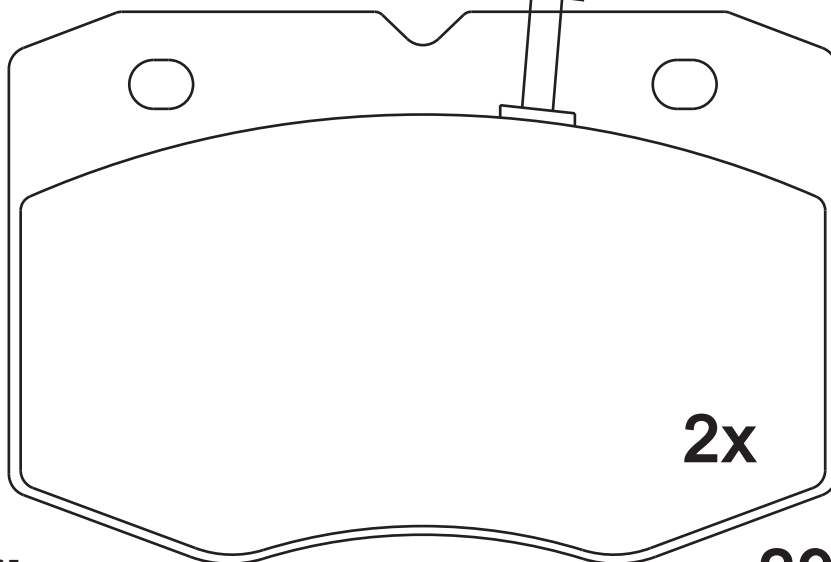
18.3



29037



215mm



Apply for:

29038

Iveco Daily II
Iveco Daily II

Estate
Platform

01.89-05.99
01.89-05.99

SR0358.02

**Dimension
(mm)**

109.5×73

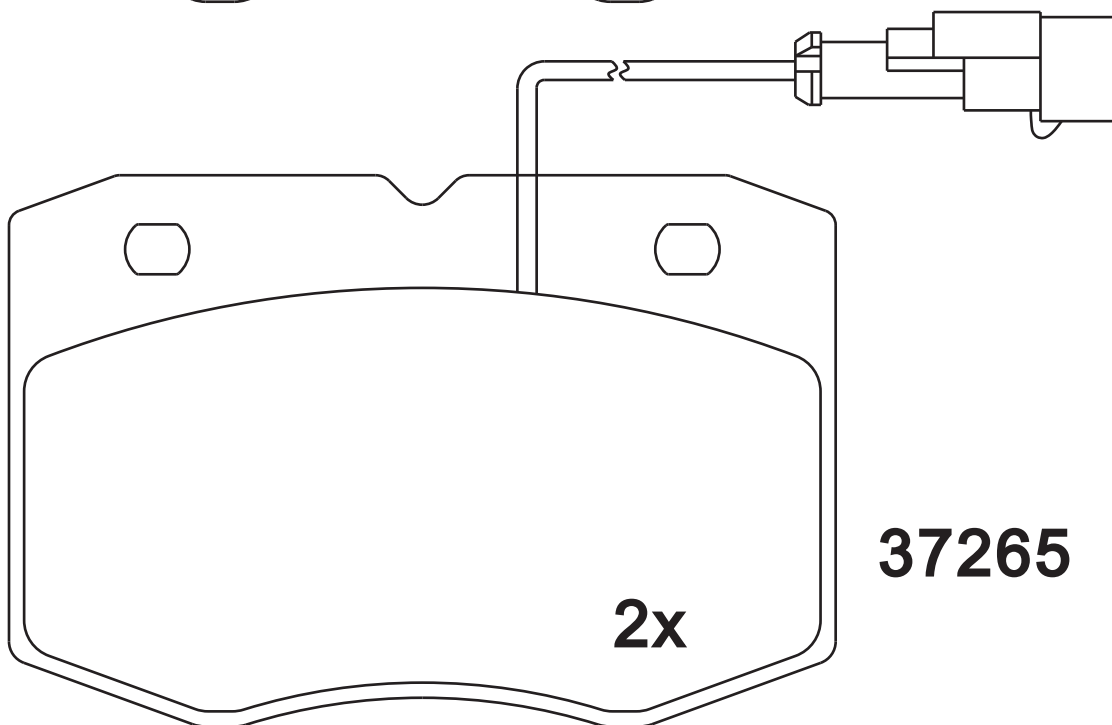
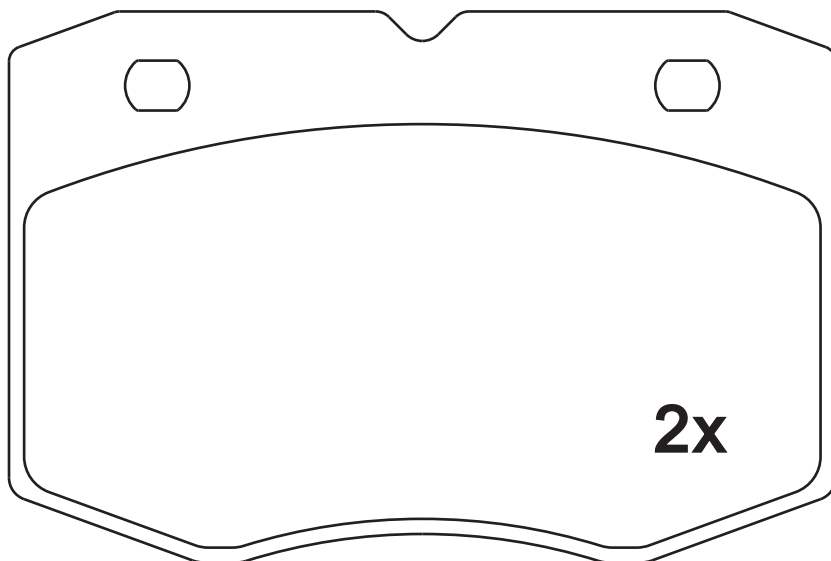
**Thickness
(mm)**

18.3



NOTE

4 identical, 2 with warn indicator: 150mm.



Apply for:

Iveco Daily II
Iveco Daily II

Estate
Platform

01.89-05.99
01.89-05.99

SR0359.01

**Dimension
(mm)**

140.1/141.3×57.5/59.4

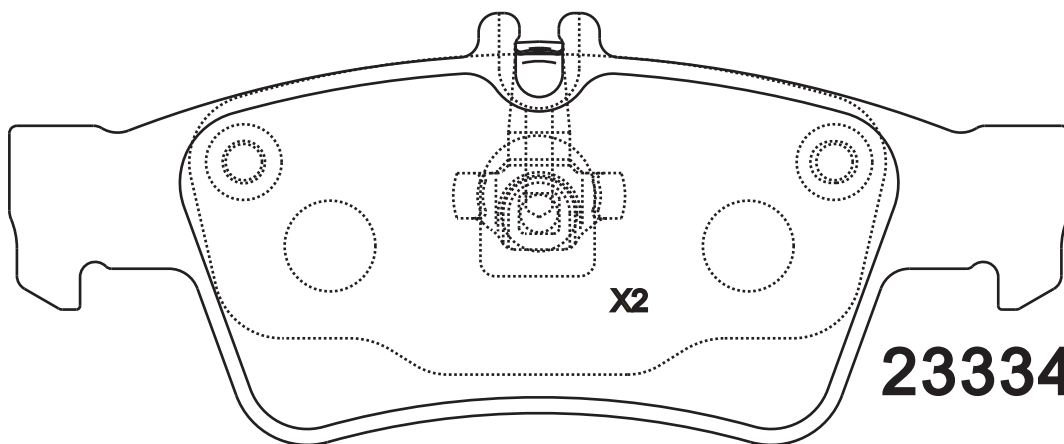
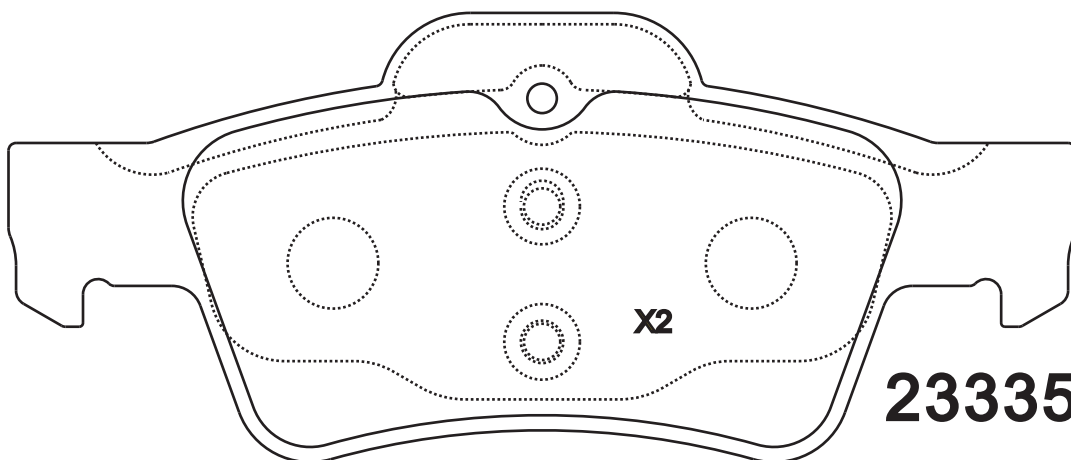
**Thickness
(mm)**

16.7



NOTE

**2 identical; 2 identical
with spring.**



Apply for:

Mercedes CLS	Coupe	10.04-12.10
Mercedes E-Class	Saloon	03.12-12.08
Mercedes E-Class	Estate	03.03-07.09
Mercedes S-Class	Saloon	01.00-
Mercedes S-Class	Coupe	06.06-
Mercedes SL	Convertible	10.01-01.12

SR0359.02

**Dimension
(mm)**

140.1/141.3×57.5/59.4

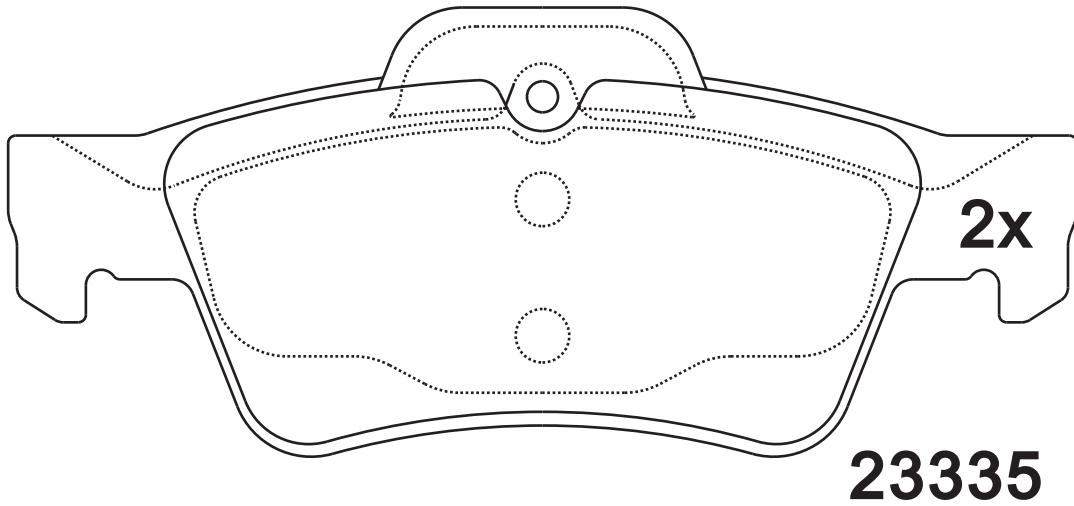
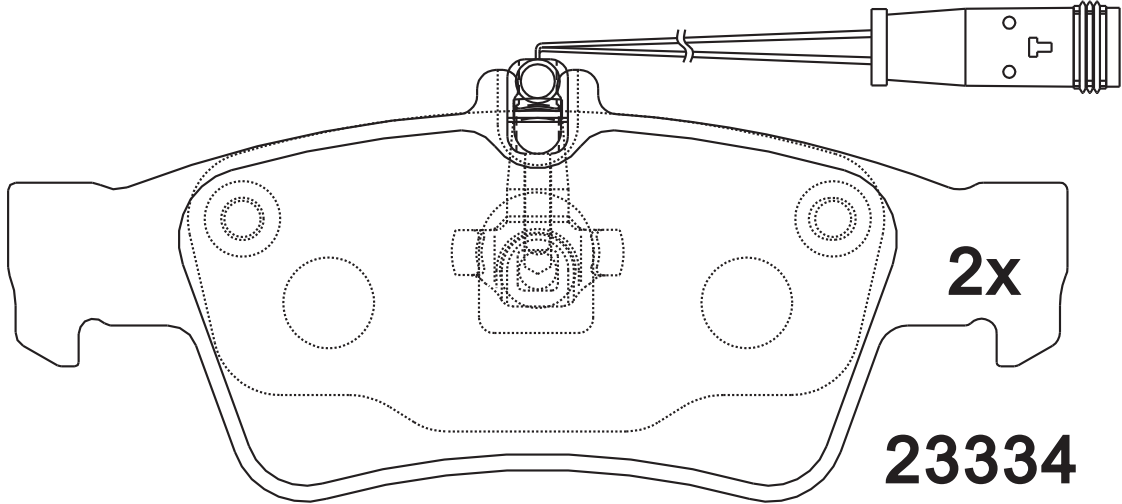
**Thickness
(mm)**

16.7



NOTE

**2 identical; 2 identical
with spring.**



Apply for:

Mercedes CLS	Coupe	10.04-12.10
Mercedes E-Class	Saloon	03.12-12.08
Mercedes E-Class	Estate	03.03-07.09
Mercedes S-Class	Saloon	01.00-
Mercedes S-Class	Coupe	06.06-
Mercedes SL	Convertible	10.01-01.12

SR0359

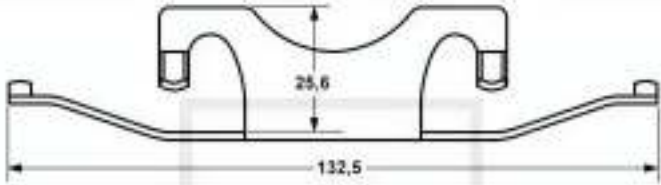
**Dimension
(mm)**

**Thickness
(mm)**



NOTE

**附件包
Accessory bag**



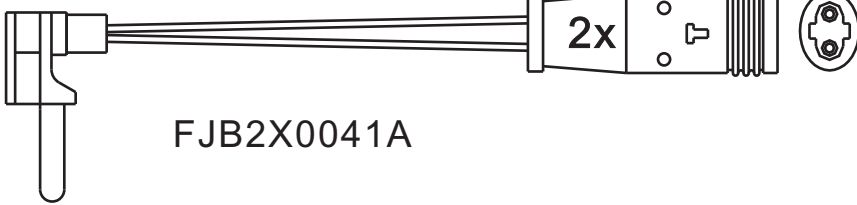
2x

82076400

K0415

FJB0359.01

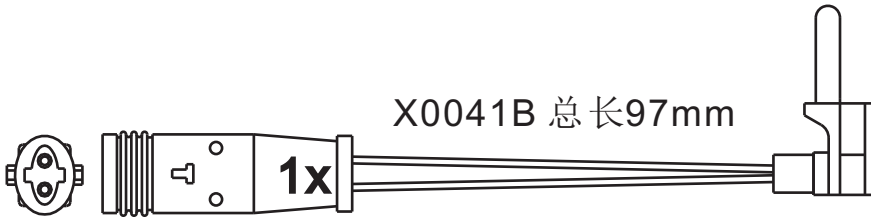
X0041A 总长102mm



2x

FJB2X0041A

X0041B 总长97mm



1x

FJB1X0041B

X0041B 总长97mm



2x

2115401717

FJB2X0041B

SR0360.01

**Dimension
(mm)**

123×58.2

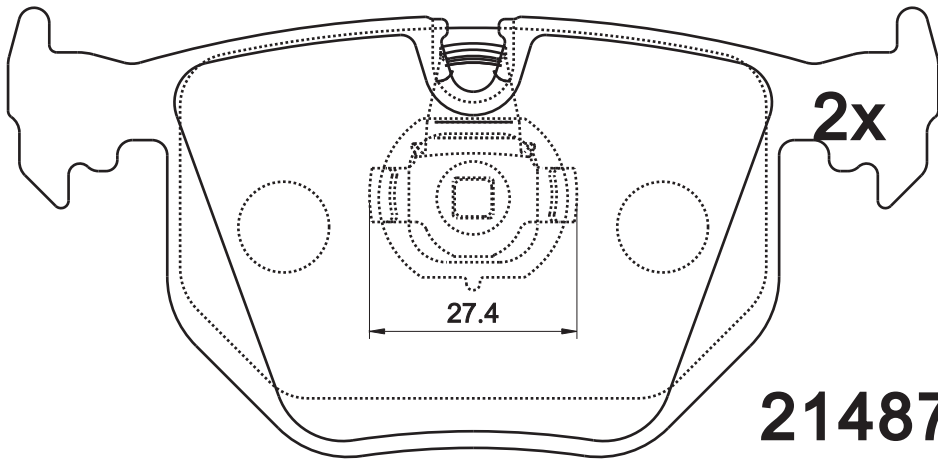
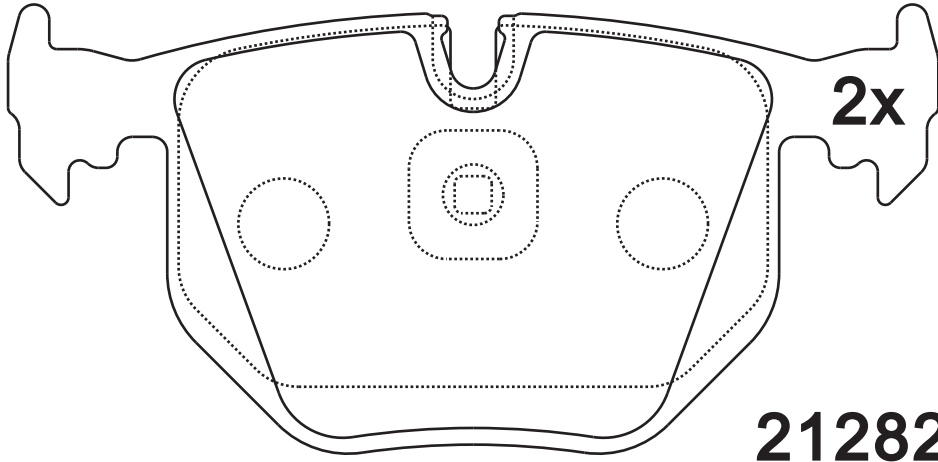
**Thickness
(mm)**

17.3



NOTE

**2 identical; 2 identical
with spring.**



Apply for:

BMW X5
BMW X6

Closed off-Road
Closed off-Road

02.07-
05.08-

SR0360.02

**Dimension
(mm)**

**Thickness
(mm)**

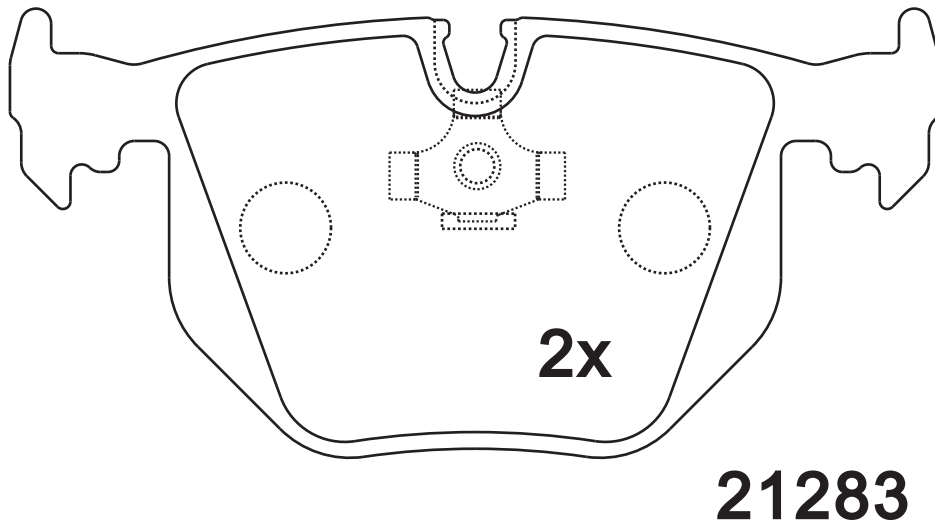
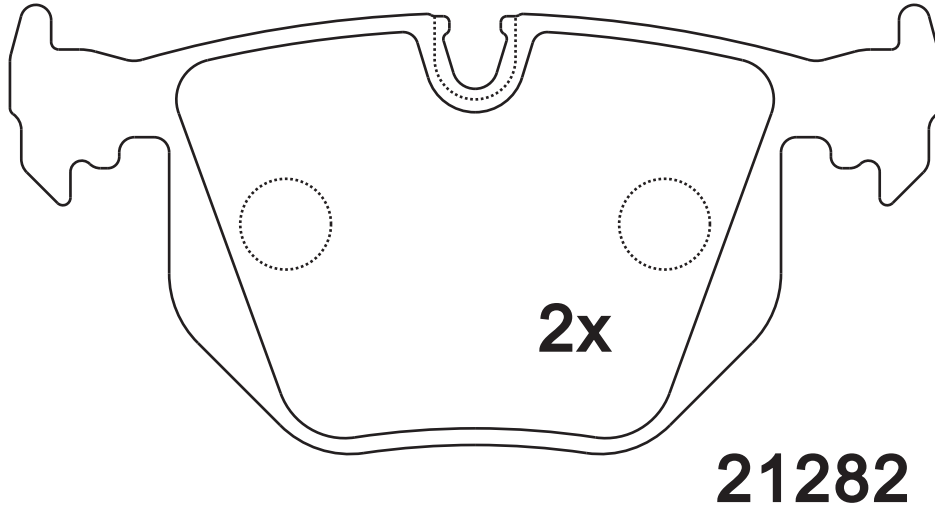


NOTE

**2 identical; 2 identical
with spring.**

123×58

17.3



Apply for:

BMW 840Ci	1994-1997
BMW 850Ci	1993-
BMW 850Ci	1995-1997
BMW 850Ci 1 Piston Caliper Front	1994-
BMW 850Ci 2 Piston Caliper Front	1994-
BMW 850CSi	1994-1995
BMW 850i	1991-1992

SR0360.03

**Dimension
(mm)**

**Thickness
(mm)**

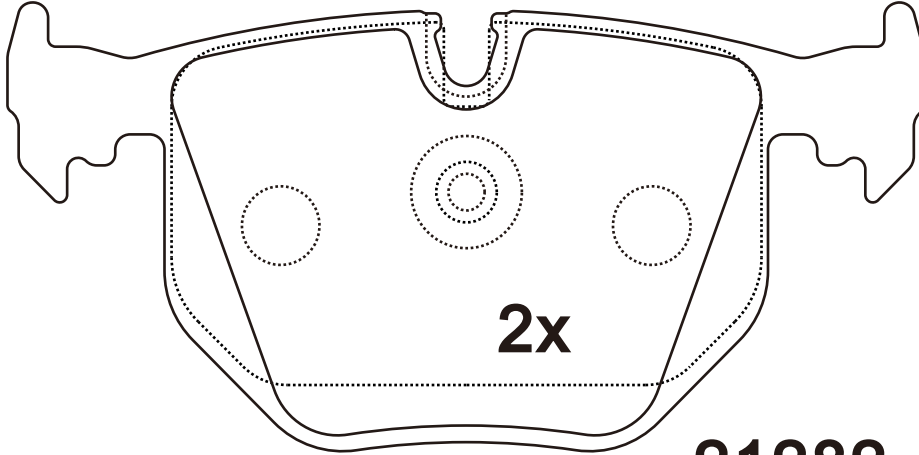


NOTE

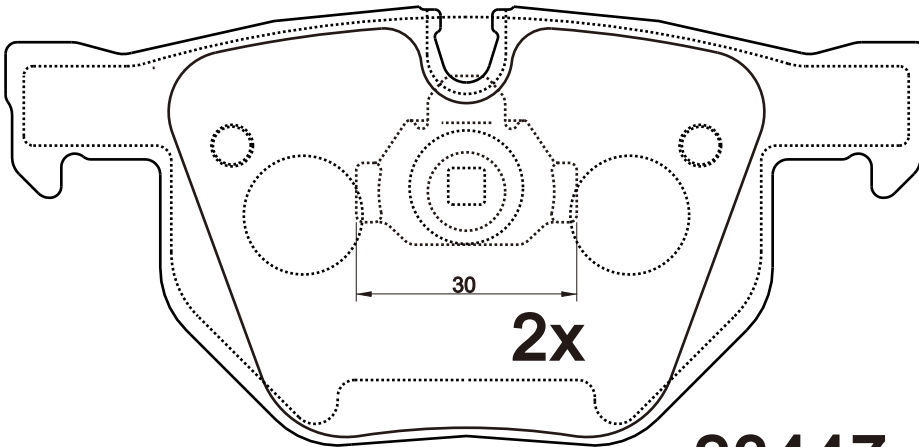
**2 identical;2 identical
with spring.**

123/121.8×58

17.3



21282



23447

Apply for:

宝马 7系四门轿车 (E65,E66)

2001/11-

SR0360

**Dimension
(mm)**

**Thickness
(mm)**



NOTE

附件包

Accessory bag

1x

**98019900
34351182065**

X0129A总长620mm
FJB1X0129A

1x

**98030700
34353411757**

X0265A总长1055mm
FJB1X0265A

1x

34351165580

FJB1X0264A

X0264A总长720mm

SR0361.01

**Dimension
(mm)**

147.4×56.6

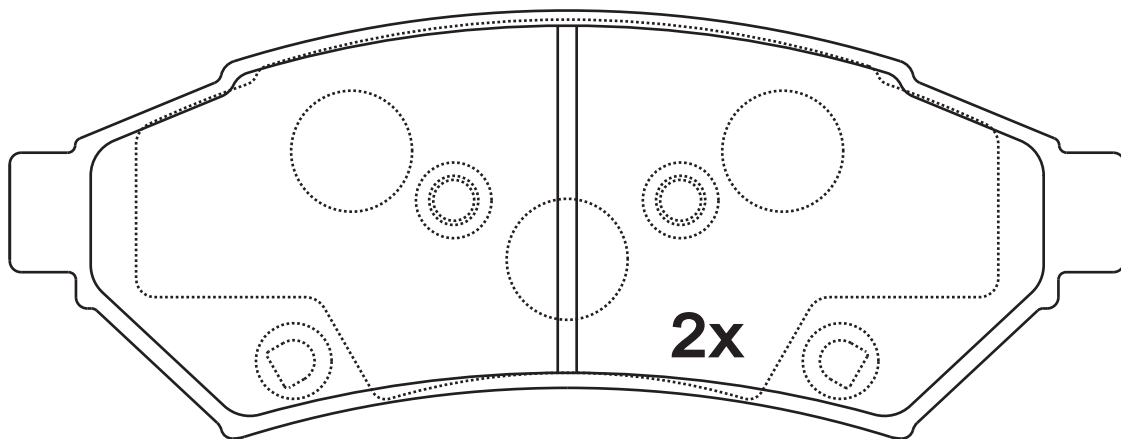
**Thickness
(mm)**

18

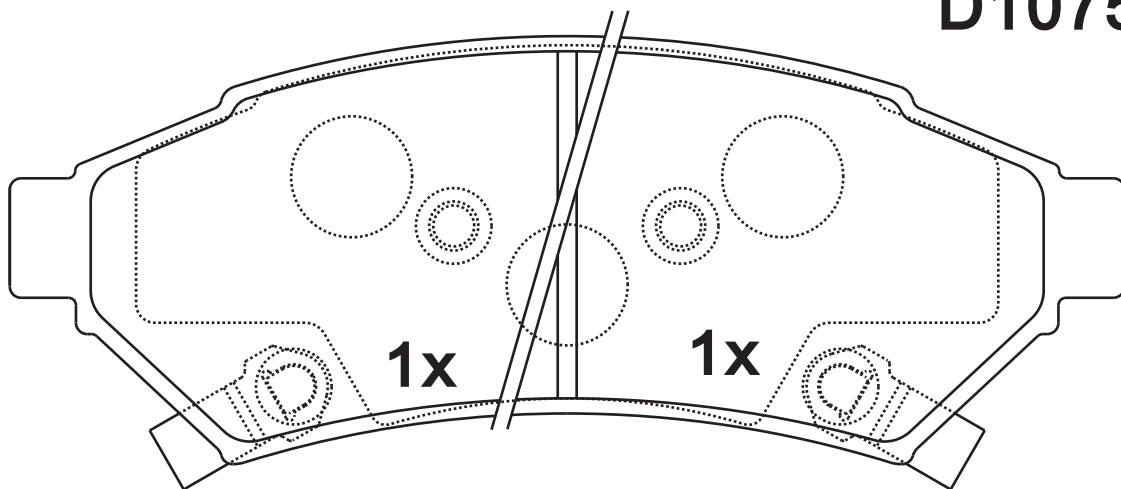


NOTE

4 identical, 1 with acoustic indicator (left), 1 with acoustic indicator (right).



D1075



Apply for:

Buick Gl8
Buick Park Avenue
Buick Regal

MPV
Saloon
Saloon

05.00-
10.96
10.91-12.08

SR0361.02

**Dimension
(mm)**

147.4×56.6

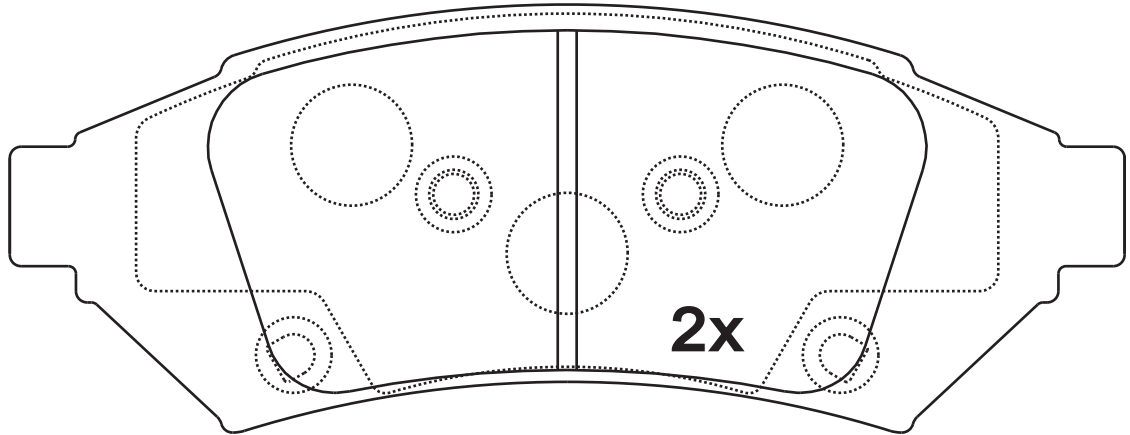
**Thickness
(mm)**

18

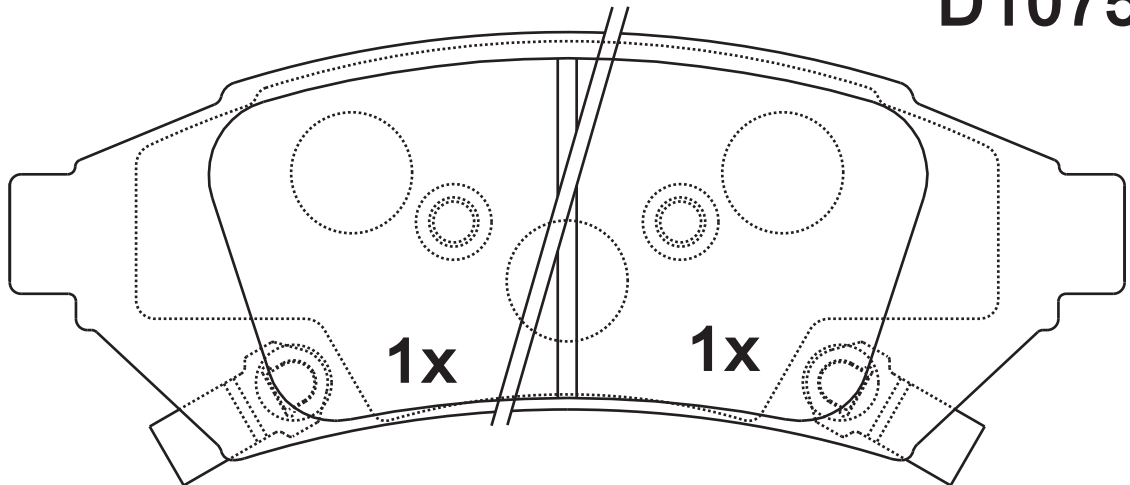


NOTE

4 identical, 1 with acoustic indicator (left), 1 with acoustic indicator (right).



D1075



Apply for:

Buick Gl8
Buick Park Avenue
Buick Regal

MPV
Saloon
Saloon

05.00-
10.96
10.91-12.08

SR0362.01

**Dimension
(mm)**

130.6×51.9

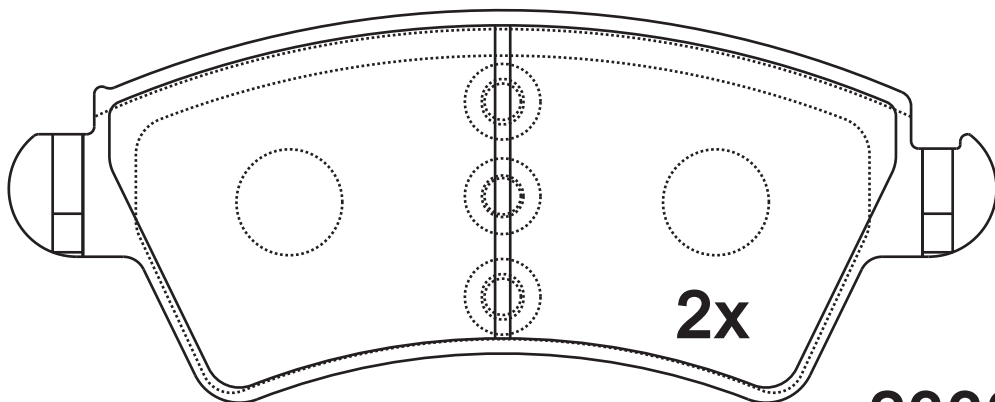
**Thickness
(mm)**

18

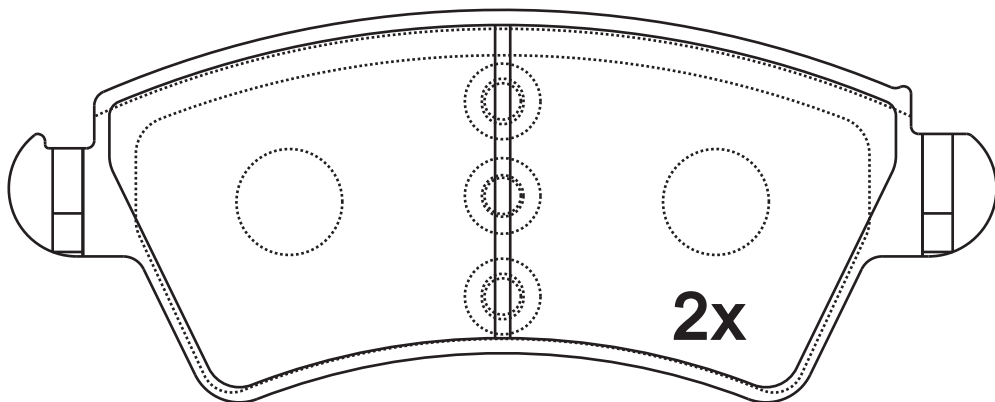


NOTE

2 identical;2 identical;



23332



23333



Apply for:

Peugeot 206
Peugeot 206

Hatchback
Saloon

06.99-
03.07-

SR0362.02

**Dimension
(mm)**

**Thickness
(mm)**

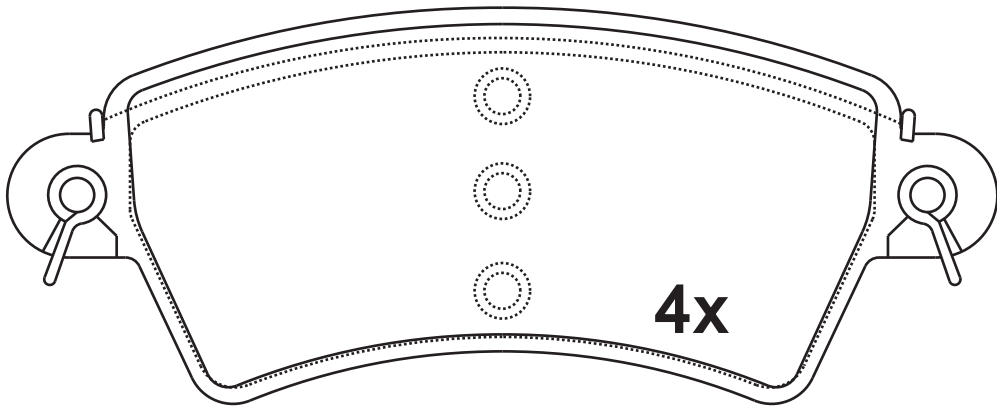


NOTE

4 identical;

130.9×52.5

17.8



GDB1385



Apply for:

Peugeot 206 (Latin America)

1997-2001

SR0362

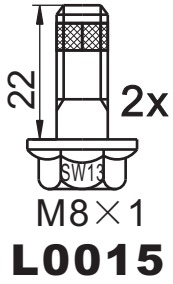
**Dimension
(mm)**

**Thickness
(mm)**



NOTE

**附件包
Accessory bag**



SR0363.01

**Dimension
(mm)**

158.3×56.7

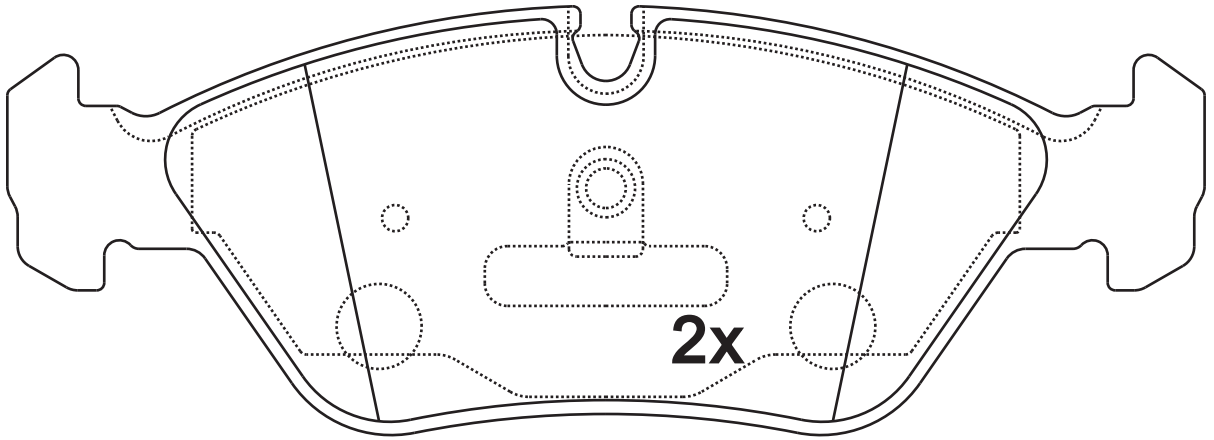
**Thickness
(mm)**

20.3

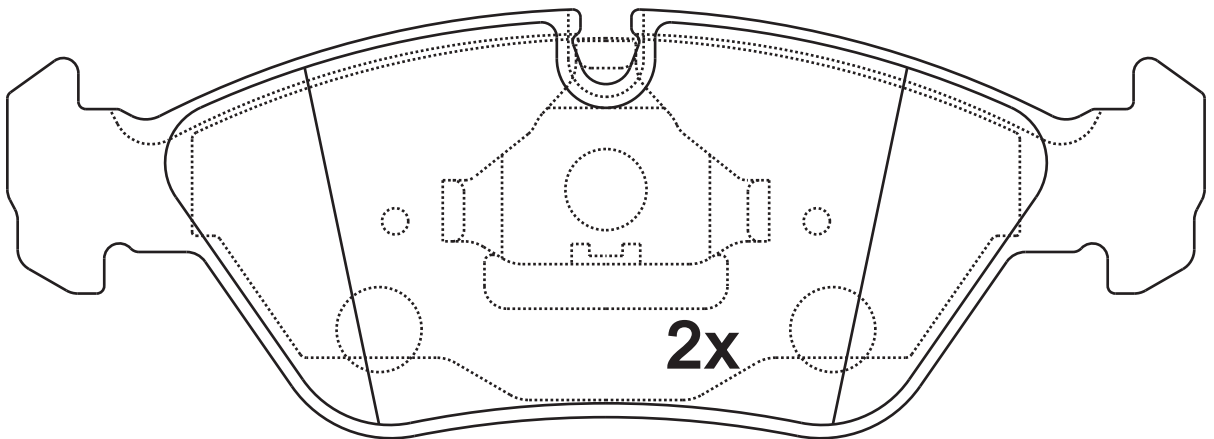


NOTE

4 identical, 2 with spring.



20629



20757

Apply for:

BMW 3	Saloon	09.82-03.92
BMW 3	Convertible	12.85-10.93
BMW 5	Saloon	06.80-06.90
BMW 6	Coupe	04.76-09.90

SR0364.01

**Dimension
(mm)**

156.2×73.2

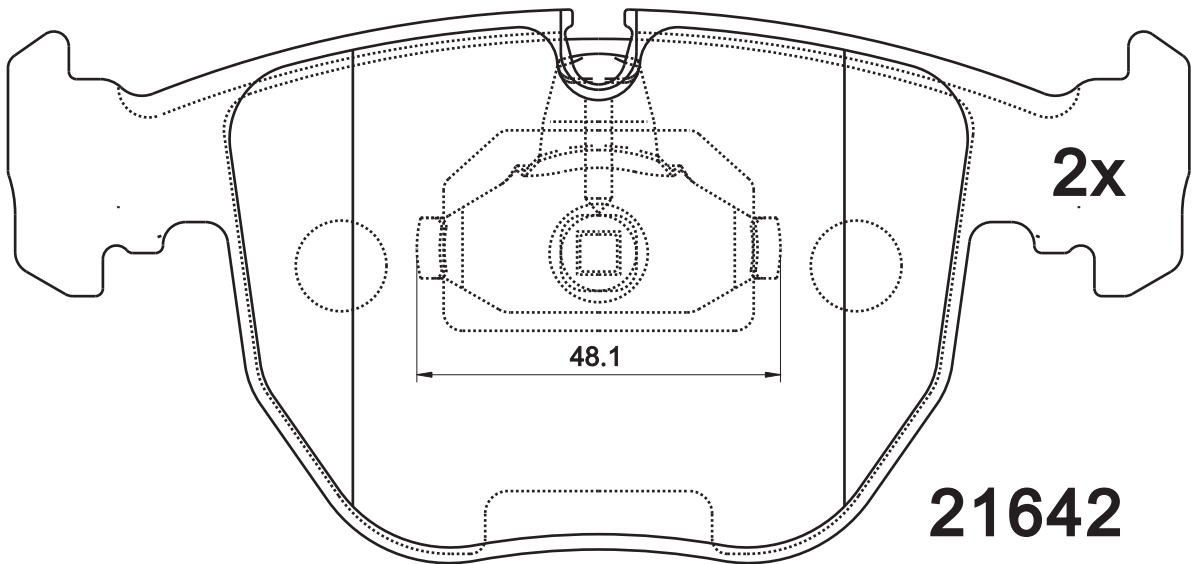
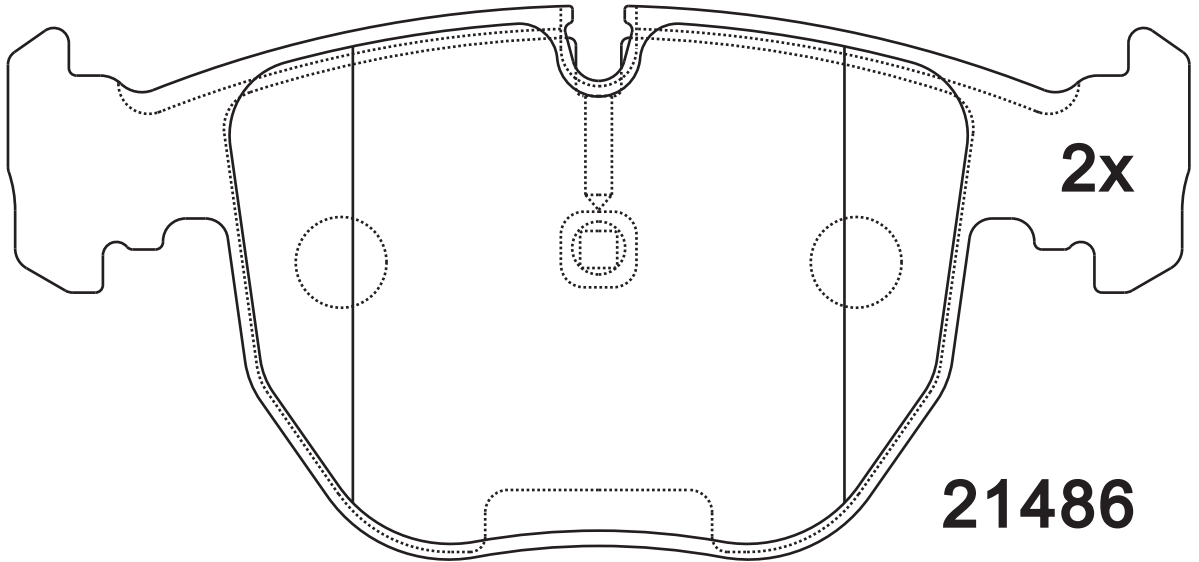
**Thickness
(mm)**

19.3



NOTE

4 identical, 2 with spring.



Apply for:

BMW 5 touring
BMW 7
BMW X5

Estate
Saloon
Closed off-Road

09.00-05.04
10.94-11.01
12.03-

SR0364

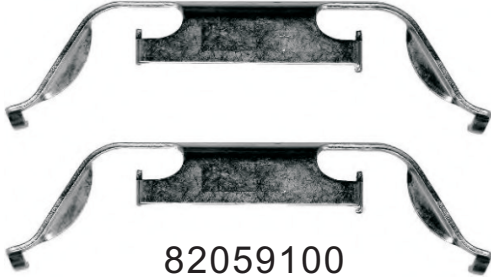
**Dimension
(mm)**

**Thickness
(mm)**



NOTE

**附件包
Accessory bag**



82059100
K0479
FJB0364.01

SR0365.01

**Dimension
(mm)**

92×44
122.1×44.1

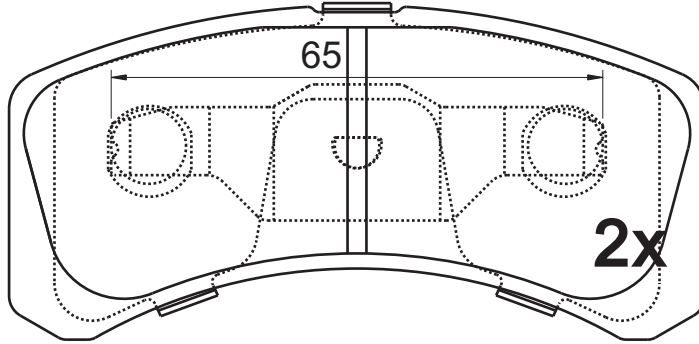
**Thickness
(mm)**

15.3

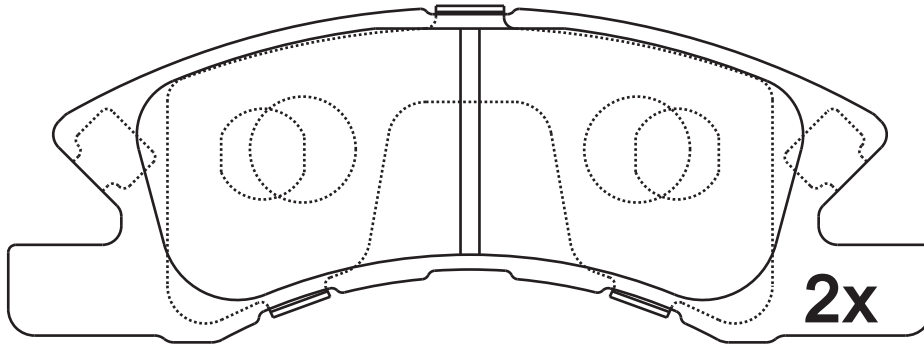


NOTE

**2 identical; 2 identical
with spring.**



24229



24230

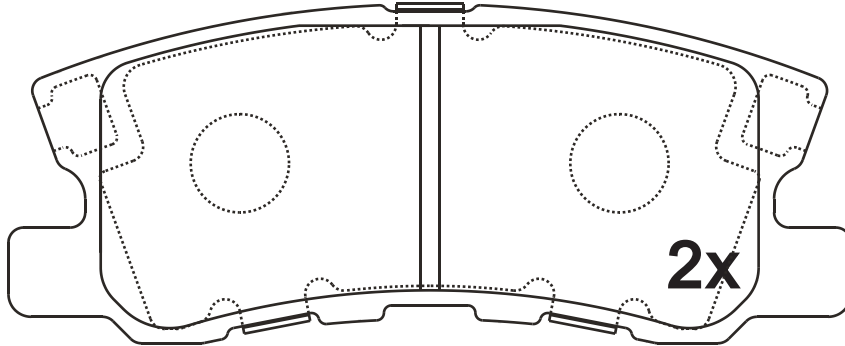
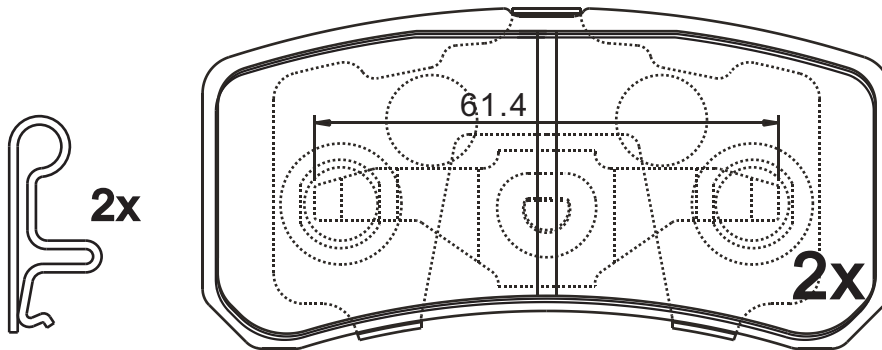


Apply for:

Daihatsu Charade	Hatchback	03.03-
Daihatsu Cuore VII	Hatchback	03.03-
Daihatsu Cuore VIII	Hatchback	04.07-
Daihatsu Trevis	Hatchback	06.06-
Mitsubishi Space Star	Hatchback	05.12-

SR0365.02**Dimension
(mm)****Thickness
(mm)****NOTE****2 identical; 2 identical
with spring.**111.3×44.7
91×45

16

**23582****23583****Apply for:**

Chrysler 200 BR1	2013-2014
Chrysler 200 BRG	2011-2014
Chrysler Sebring Convertible	2010
Dodge Avenger BR1	2013-2014
Dodge Avenger BRG	2008-2014
Jeep Compass	2007-2014
Mitsubishi Endeavor	2004-2008
Mitsubishi Endeavor	2010-2011
Mitsubishi Lancer GTS	2008-2013
Mitsubishi Lancer Ralliart	2009-2011
Mitsubishi Lancer Ralliart	2014
Mitsubishi Outlander	2007-2012
Mitsubishi Outlander 7 Passenger	2009-2011

SR0365

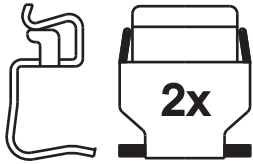
**Dimension
(mm)**

**Thickness
(mm)**

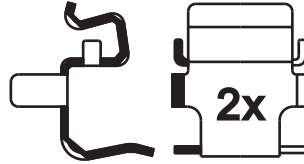


NOTE

**附件包
Accessory bag**



K0429



K0430

FJB0365.01

SR0366.01

**Dimension
(mm)**

122.8×49.5

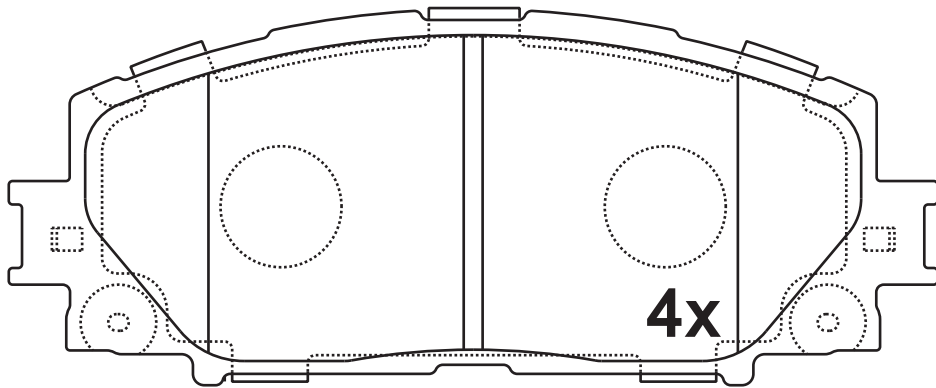
**Thickness
(mm)**

17.5



NOTE

4 identical;



24451



Apply for:

Toyota Prius
Toyota Prius Plus

Hatchback
MPV

01.09-
05.11-

SR0366.02

**Dimension
(mm)**

122.8×49.5

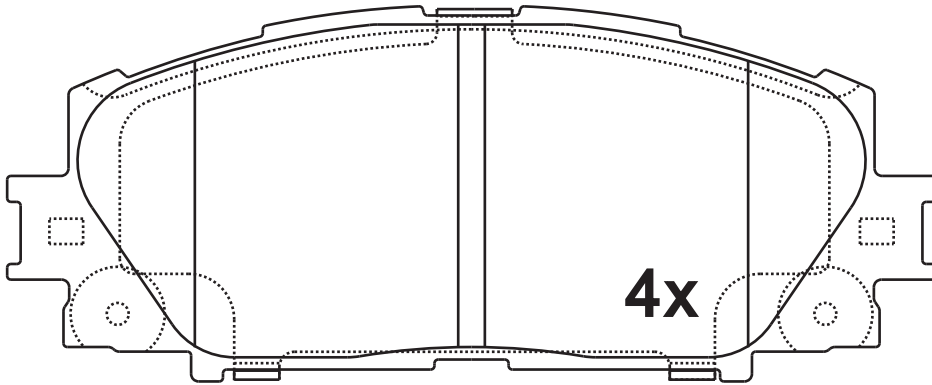
**Thickness
(mm)**

16



NOTE

4 identical;



24451



Apply for:

Toyota Prius
Toyota Prius Plus

Hatchback
MPV

01.09-
05.11-

SR0366.03

**Dimension
(mm)**

122.8×49.5

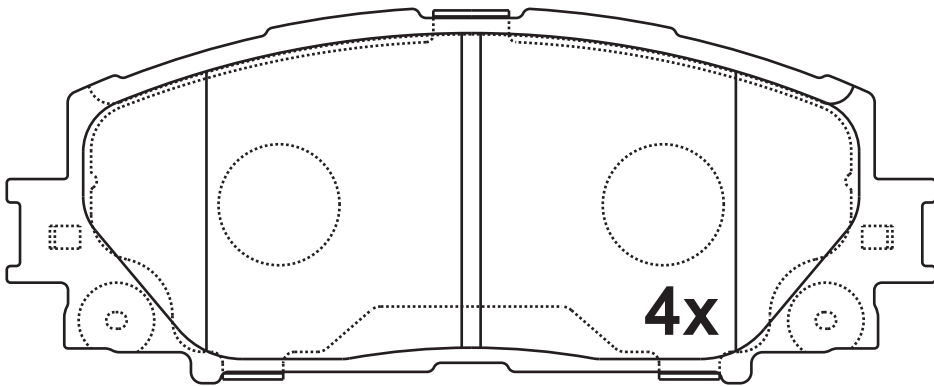
**Thickness
(mm)**

18



NOTE

4 identical;



24451




Apply for:

Toyota Prius
Toyota Prius Plus

Hatchback
MPV

01.09-
05.11-

SR0366	Dimension (mm)	Thickness (mm)		NOTE
				附件包 Accessory bag



SR0367.01

**Dimension
(mm)**

110.2×41.5

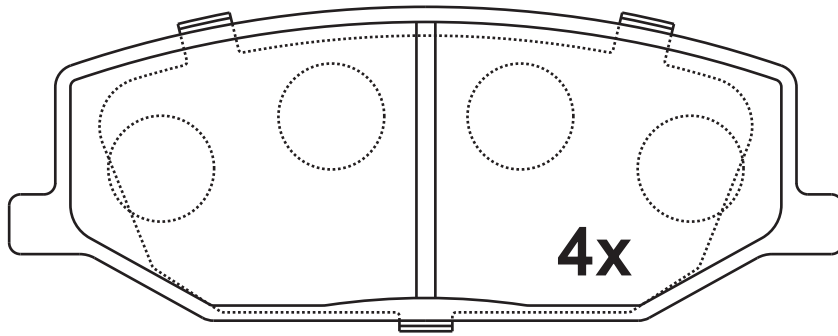
**Thickness
(mm)**

15



NOTE

4 identical;



21142

Apply for:

Suzuki Jimny

Closed off-Road

09.98-

SR0368.01

**Dimension
(mm)**

**Thickness
(mm)**

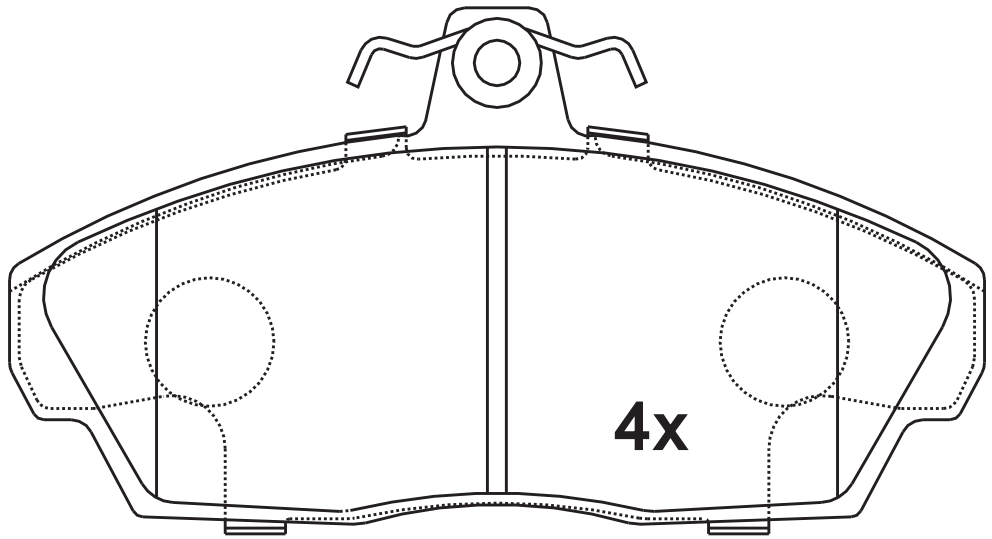


NOTE

4 identical;

129.1×68.8

17.5



21515

Apply for:

Land Rover Freelander
Land Rover Freelander

Closed off-Road
Open off-Road

02.98-10.06
02.98-10.06

SR0368.02

**Dimension
(mm)**

**Thickness
(mm)**

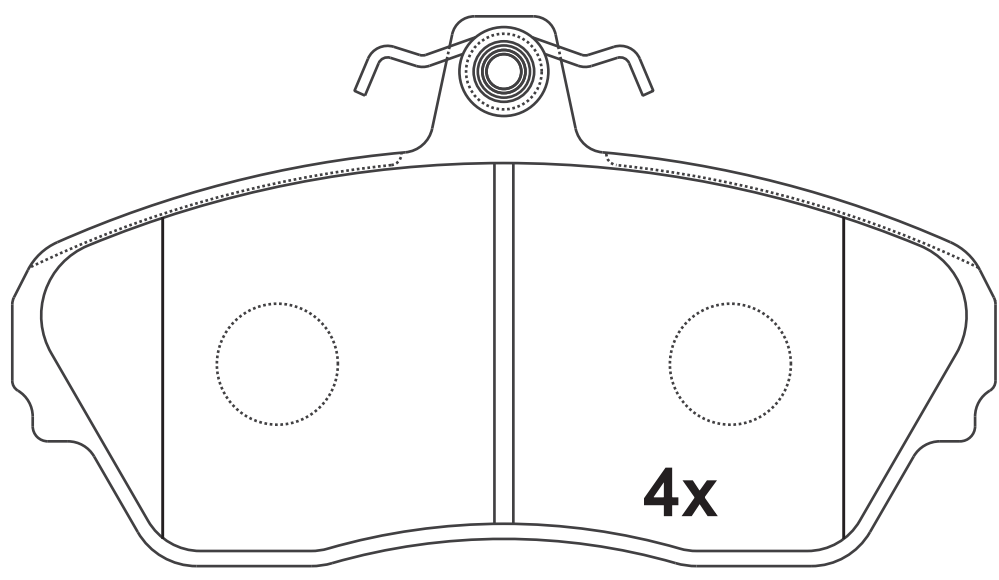


NOTE

4 identical;

130×72.7

17.5



21245

Apply for:

Tata Telcoline 2X4,4X4

04-

SR0368.03

**Dimension
(mm)**

129.1×68.8

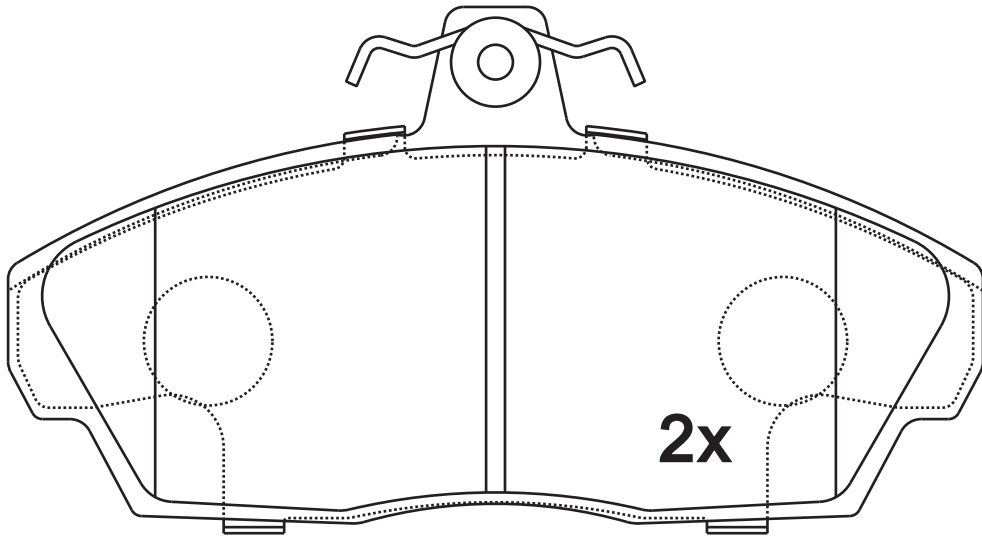
**Thickness
(mm)**

17.5

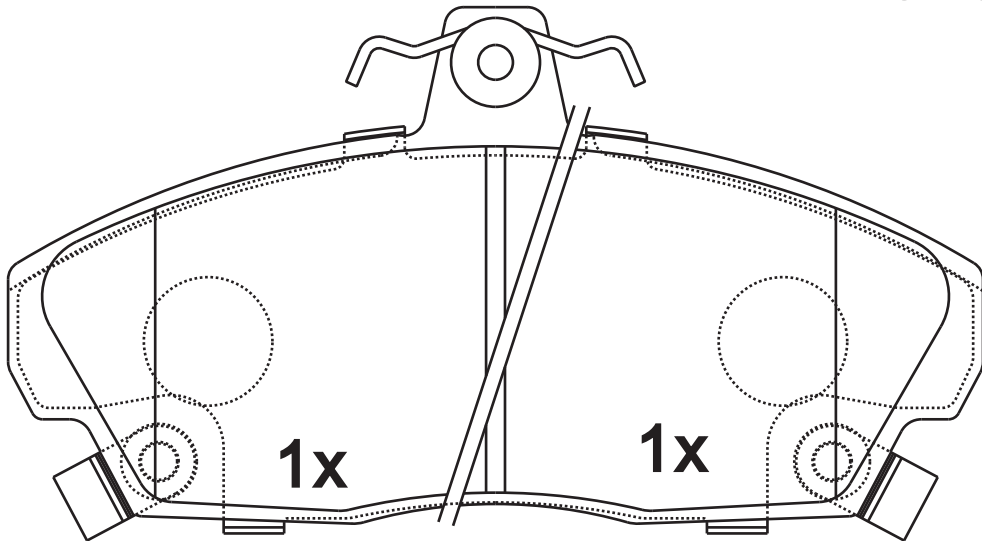


NOTE

4 identical, 1 with
acoustic indicator (left),
1 with acoustic indicator
(right).



21515



21516

21517

Apply for:

Honda Civic VI

Hatchback

09.94-02.01

SR0368.04

**Dimension
(mm)**

**Thickness
(mm)**



NOTE

**4 identical, 1 with
acoustic indicator (left),
1 with acoustic indicator
(right).**

129.1×68.8

17.5



取消 SR0368. 04=SR0368. 03+FJB0003.01

Apply for:

Honda Civic VI

Hatchback

09.94-02.01

SR0368.05

**Dimension
(mm)**

129.1×68.8

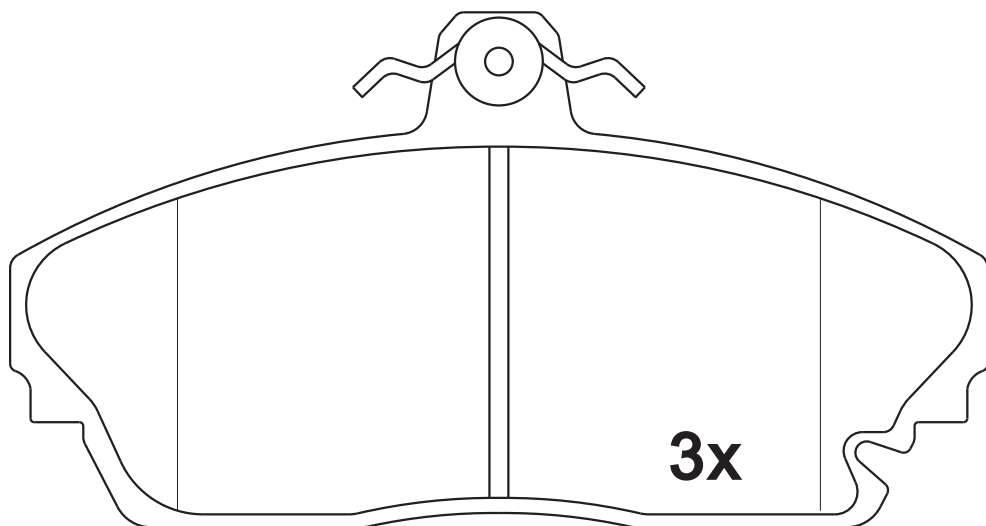
**Thickness
(mm)**

17.4

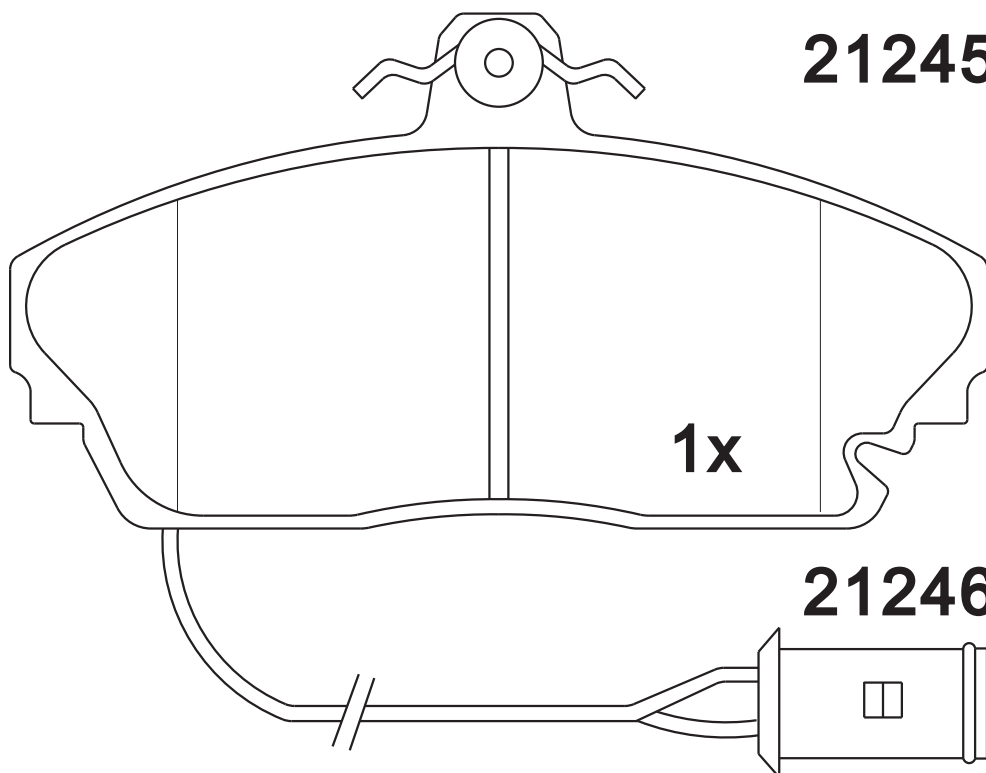


NOTE

4 identical, 1 with
acoustic indicator (left).



21245



21246

Apply for:

本田 里程四门轿车 (HS,KA)
罗孚 800四门轿车
罗孚 800抛背/两厢车

1986/01-1991/03
1986/10-1999/02
1986/10-1999/02

SR0368

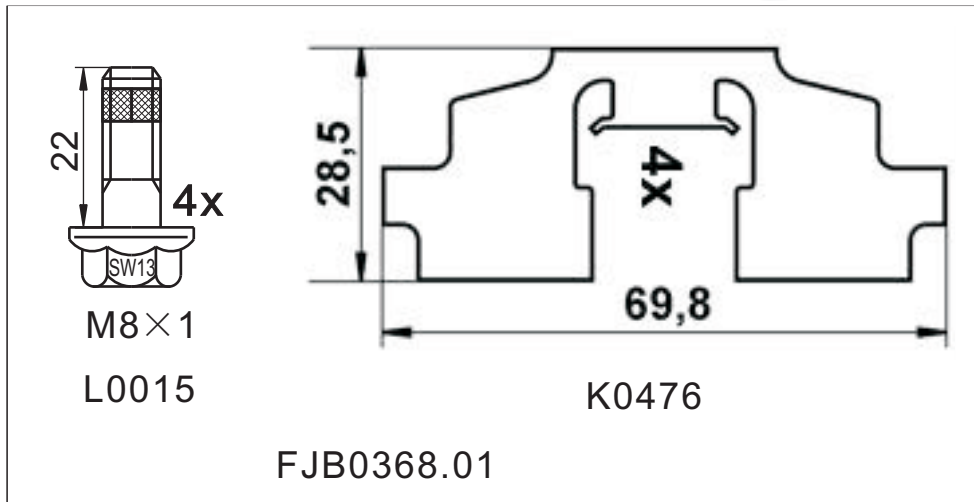
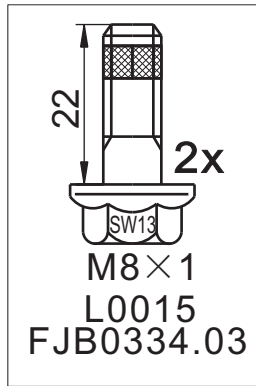
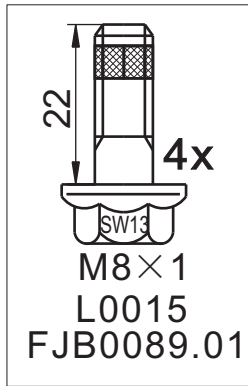
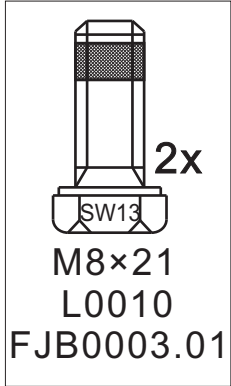
**Dimension
(mm)**

**Thickness
(mm)**



NOTE

**附件包
Accessory bag**



SR0369.01

**Dimension
(mm)**

**Thickness
(mm)**

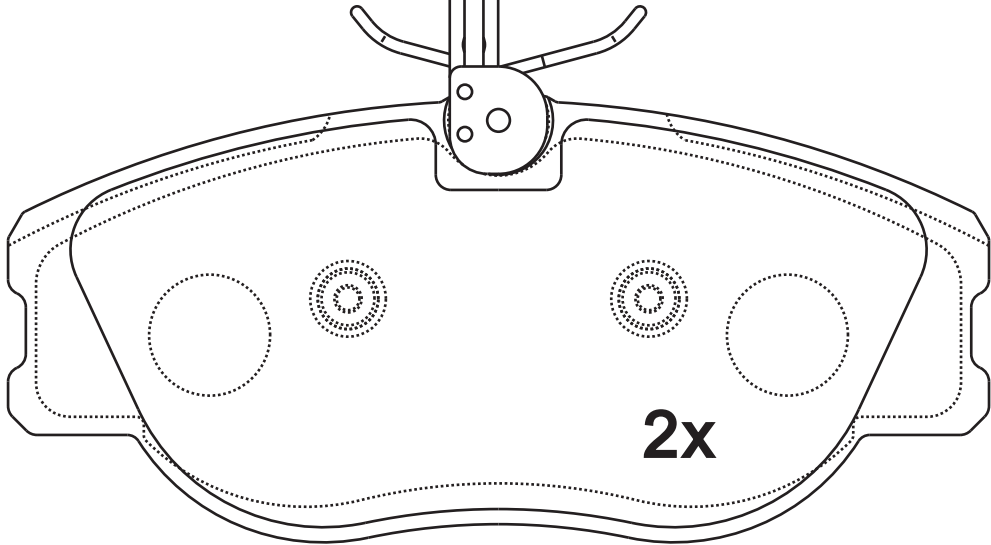


NOTE

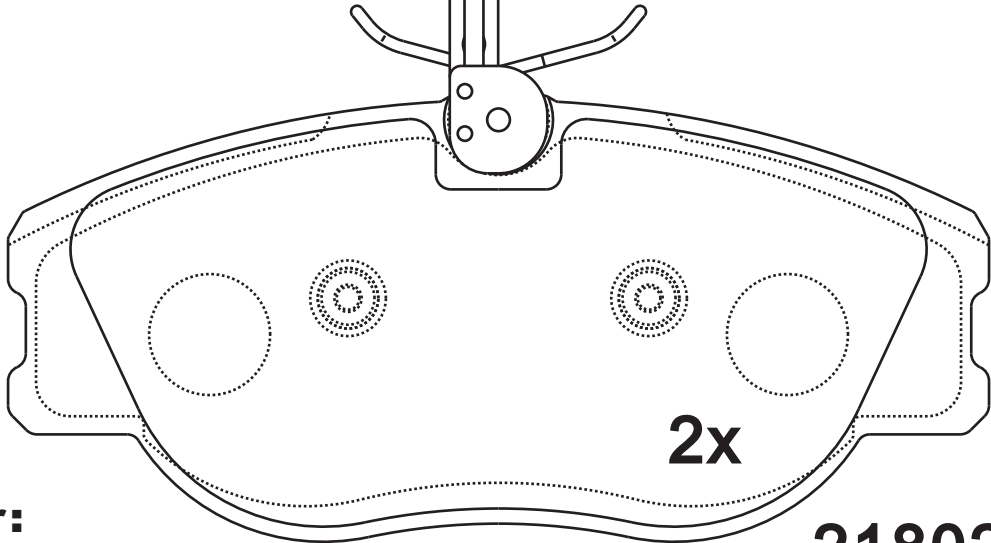
2 identical with warn indicator:244mm;
2 identical with warn indicator:194mm;



X0011G 总长220mm



X0011F 总长270mm



21801

21802

Apply for:

Citroen Jumpy
Citroen Jumpy
Citroen Jumpy
Fiat Scudo
Fiat Ulysse
Peugeot 806
Peugeot Expert
Peugeot Expert
Peugeot Expert

Saloon
Box
Platform
Box
Saloon
MPV
MPV
Box
Platform

06.94-
06.94-
10.99-
02.96-
06.94-08.02
06.94-08.02
12.95-
07.95-
12.95-

SR0369

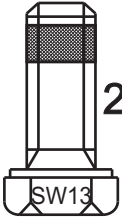
**Dimension
(mm)**

**Thickness
(mm)**



NOTE

**附件包
Accessory bag**



2x

SW13

M8×21

L0010

FJB0003.01

SR0370.01

**Dimension
(mm)**

116×47.6

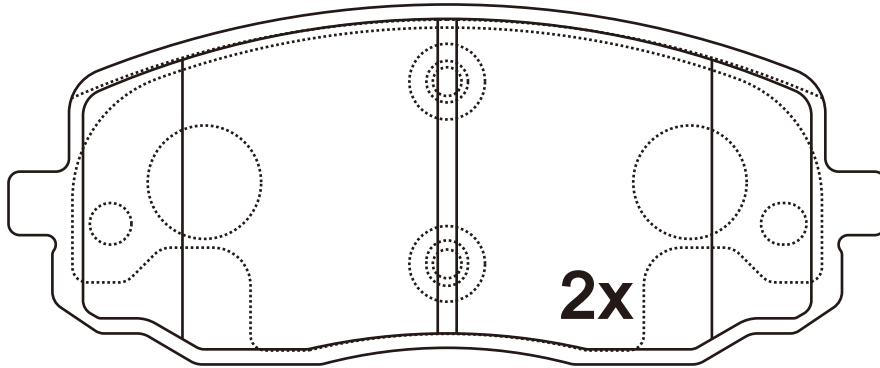
**Thickness
(mm)**

16.6

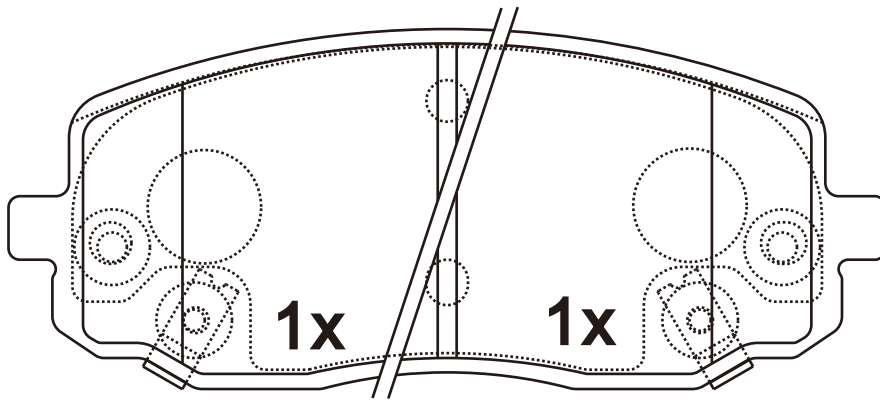


NOTE

4 identical, 1 with acoustic indicator (left), 1 with acoustic indicator (right).



24275



24410



24411

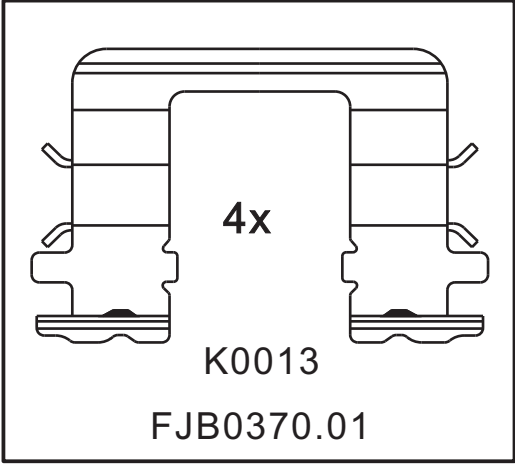
Apply for:

Hyundai i 10
Hyundai i 20
Kia Picanto

Hatchback
Hatchback
Hatchback

01.08-
09.08-
04.04-

SR0370	Dimension (mm)	Thickness (mm)		NOTE 附件包 Accessory bag
				

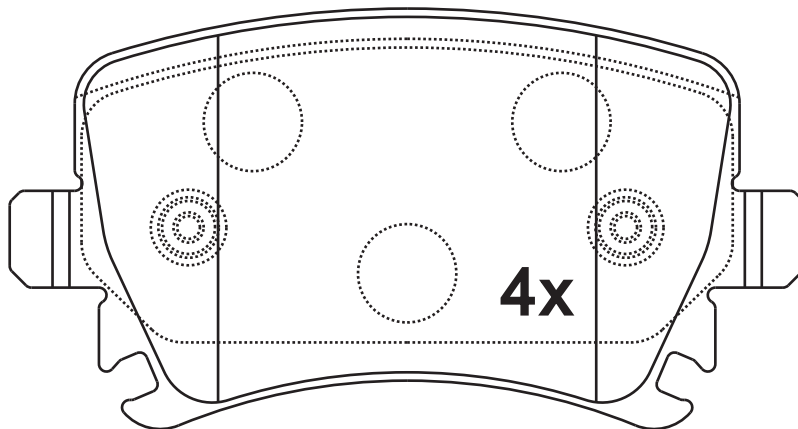


SR0371.01**Dimension
(mm)**


105.1×55.6

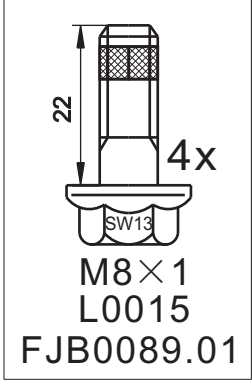
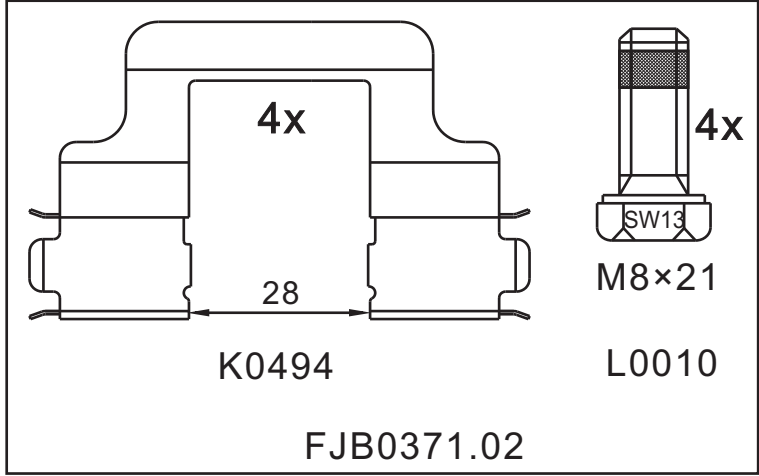
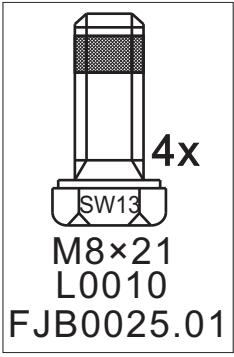
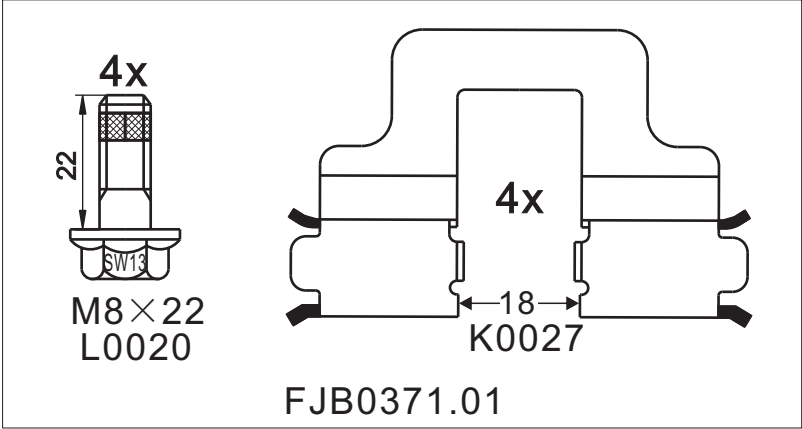
**Thickness
(mm)**

17.1

**NOTE****4 identical;****23914****Apply for:**

Audi A3	Hatchback	09.04-03.13
Audi A4	Convertible	07.02-05.13
Audi A4	Saloon	11.04-06.08
Audi A4	Estate	11.04-06.08
Audi A6	Saloon	05.04-03.11
Audi A6	Estate	03.05-08.11
Audi TT	Coupe	08.06-
Audi TT	Convertible	05.08-
Volkswagan EOS	Convertible	03.06-
Volkswagan Golf V	Hatchback	10.03-11.10
Volkswagan Golf V	Estate	06.07-07.09
Volkswagan Golf VI	Hatchback	03.09-11.12
Volkswagan Golf VI	Estate	07.09-07.13
Volkswagan Golf Plus	Hatchback	01.05-
Volkswagan Scirocco	Coupe	05.08-
Volkswagan Touran	MPV	02.03-05.10

SR0371	Dimension (mm)	Thickness (mm)		NOTE 附件包 Accessory bag

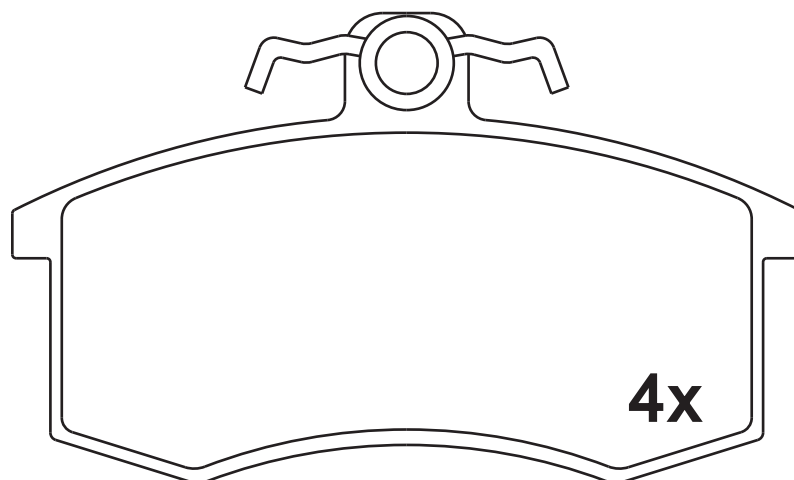


SR0372.01**Dimension
(mm)**

104.3×62.1

**Thickness
(mm)**

17.2

**NOTE****4 identical;****21170****Apply for:**

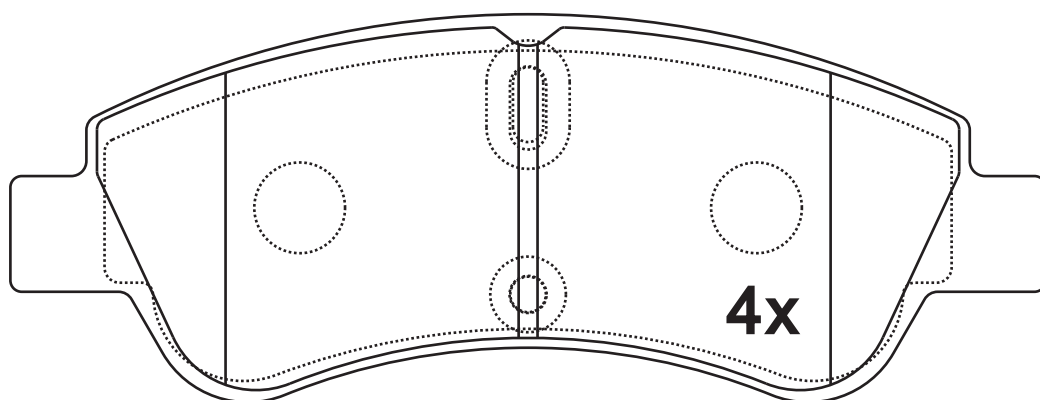
Lada 110	Saloon	01.95-
Lada 111	Estate	01.95-
Lada 112	Hatchback	01.95-
Lada Kalina	Estate	10.04-
Lada Kalina	Hatchback	10.04-
Lada Kalina	Saloon	10.04-
Lada Priora	Estate	10.09-
Lada Priora	Hatchback	12.08-
Lada Priora	Saloon	12.08-
Lada Samara	Hatchback	01.86-
Lada Samara Forma	Saloon	09.87-

SR0373.01**Dimension
(mm)**


136.9×51.3

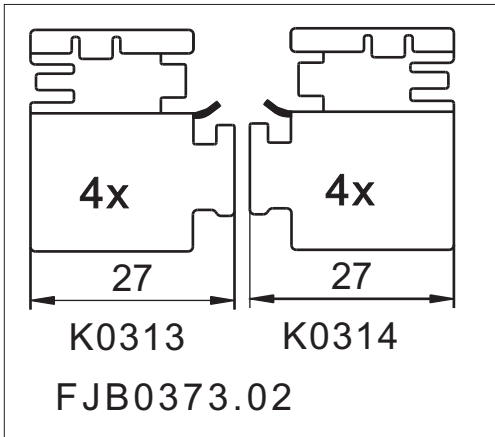
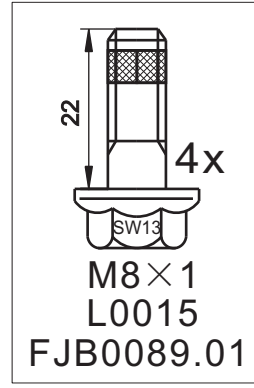
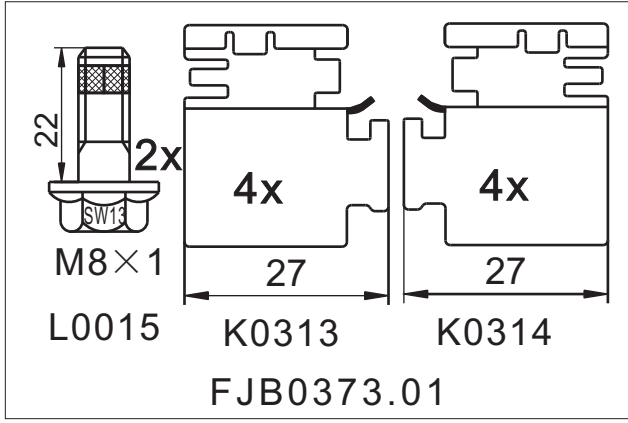
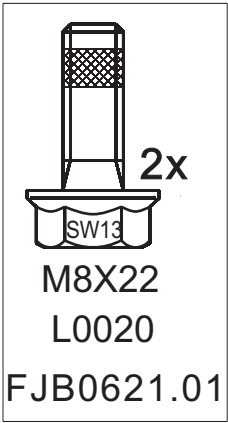
**Thickness
(mm)**

19

**NOTE****4 identical;****23599****Apply for:**

Citroen C2	Hatchback	09.03-
Citroen C3 I	Hatchback	02.02-
Citroen C4 I	Hatchback	11.04-
Citroen C4	Coupe	11.04-
Citroen Xsara Picasso	MPV	12.99-
Peugeot 206	Hatchback	12.00-
Peugeot 206	Saloon	03.07-
Peugeot 207	Hatchback	02.06-
Peugeot 207	Estate	06.07-
Peugeot 1007	Hatchback	04.05-

SR0373	Dimension (mm)	Thickness (mm)		NOTE



SR0374.01**Dimension
(mm)**

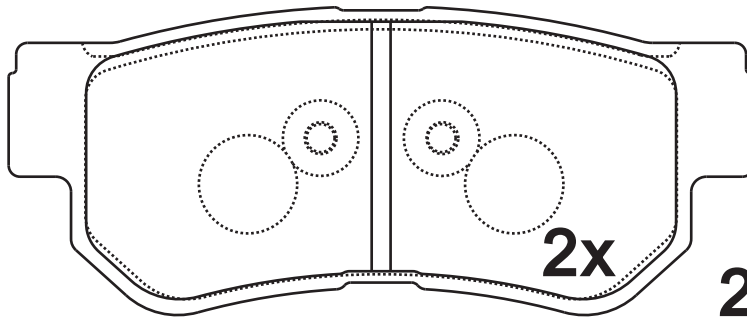
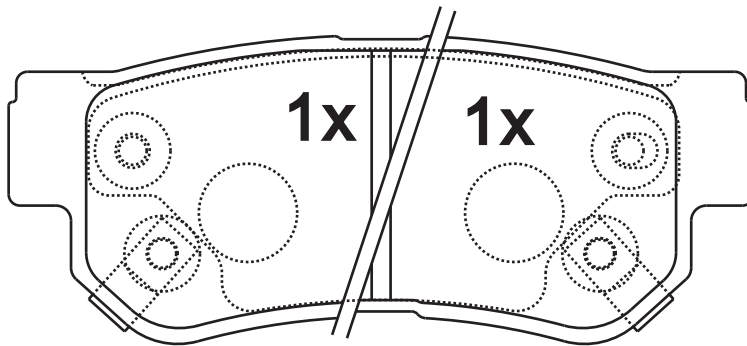
98.5×40.7

**Thickness
(mm)**

15

**NOTE**

4 identical, 1 with acoustic indicator (left), 1 with acoustic indicator (right).

**23543****23544****23545****Apply for:**

Hyundai Getz	Hatchback	08.05-06.09
Hyundai XG	Saloon	12.98-12.05
Hyundai Grandeur	Saloon	04.05-
Hyundai Matrix	MPV	06.01-08.10
Hyundai Santa Fe I	Closed off-Road	02.01-03.06
Hyundai Santa IV	Saloon	06.98-11.04
Hyundai Santa V	Saloon	01.05-
Hyundai Trajet	MPV	03.00-07.08
Hyundai Tucson	Closed off-Road	08.04-03.10
Kia Magentis	Saloon	05.01-
Kia Sportage	Closed off-Road	09.04-

SR0374

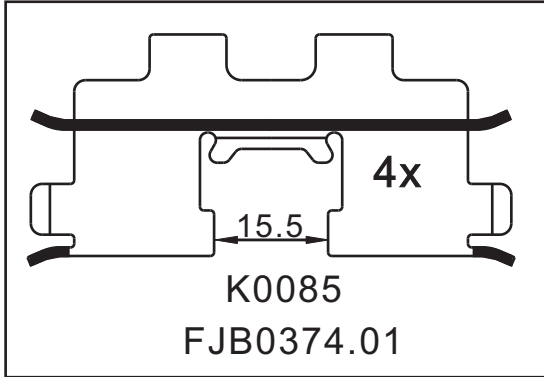
**Dimension
(mm)**

**Thickness
(mm)**



NOTE

**附件包
Accessory bag**



SR0375.01

**Dimension
(mm)**

124.8×51

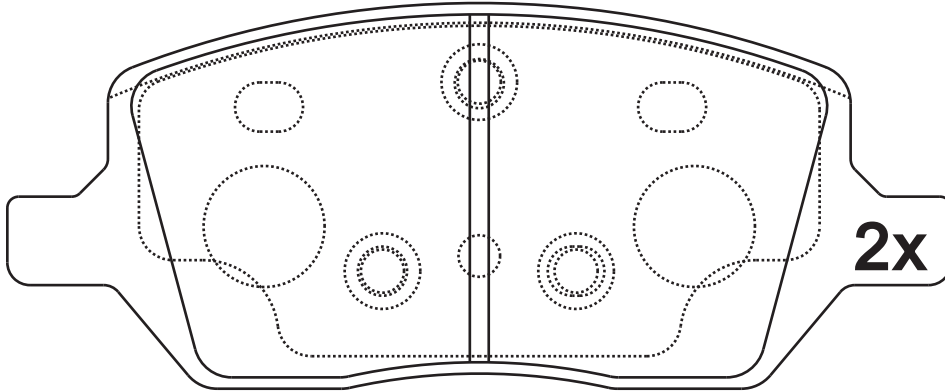
**Thickness
(mm)**

14.1

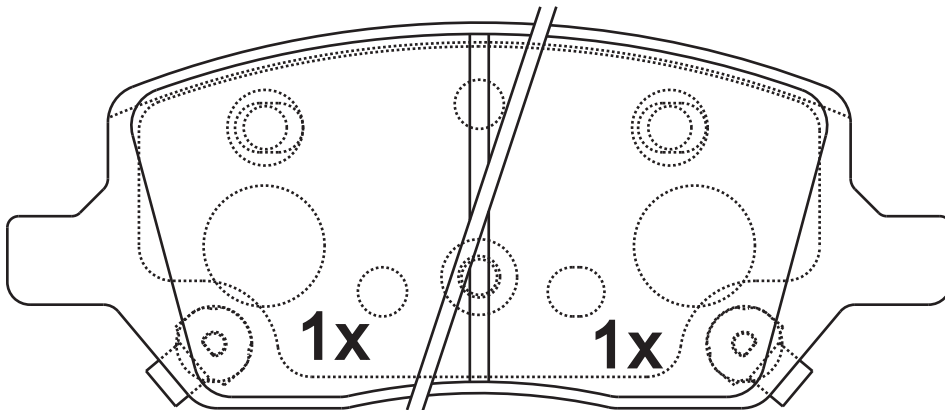


NOTE

4 identical, 1 with acoustic indicator (left), 1 with acoustic indicator (right).



D1093



Apply for:

Buick GL8 II

MPV

10.04-

SR0376.01

**Dimension
(mm)**

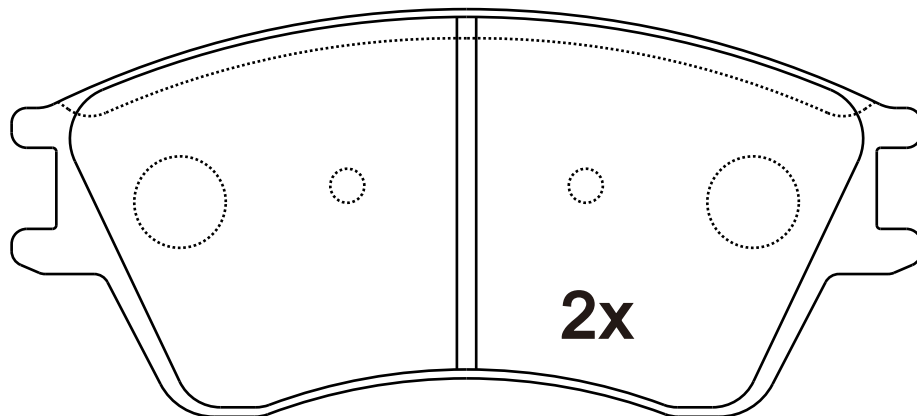
**Thickness
(mm)**



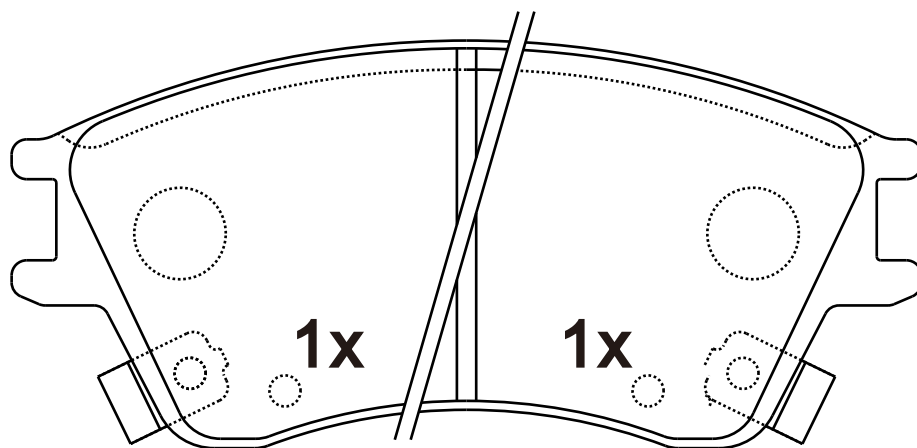
NOTE

**4 identical, 1 with
acoustic indicator(left),
1 with acoustic indicator
(right).**

无模具



58101-2DA10



Apply for:

Hyundai Elentra

Hatchback

06.00-07.06

SR0377.01**Dimension
(mm)**

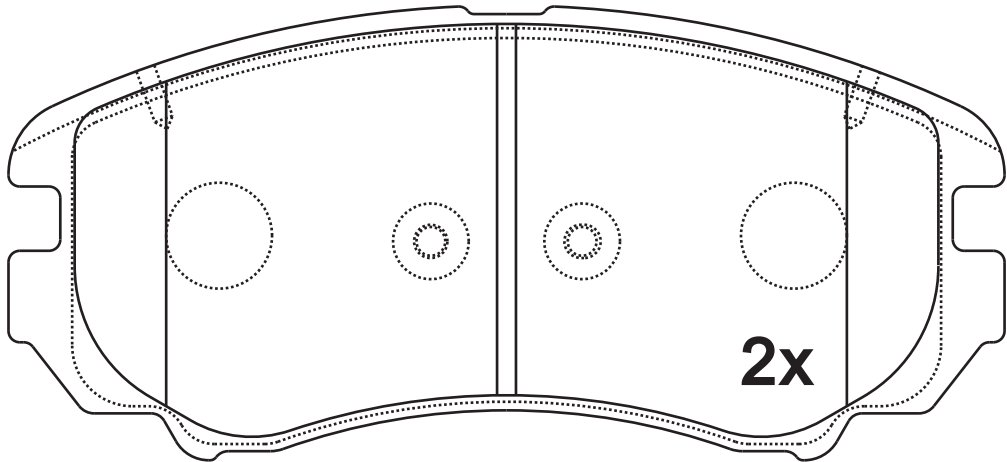
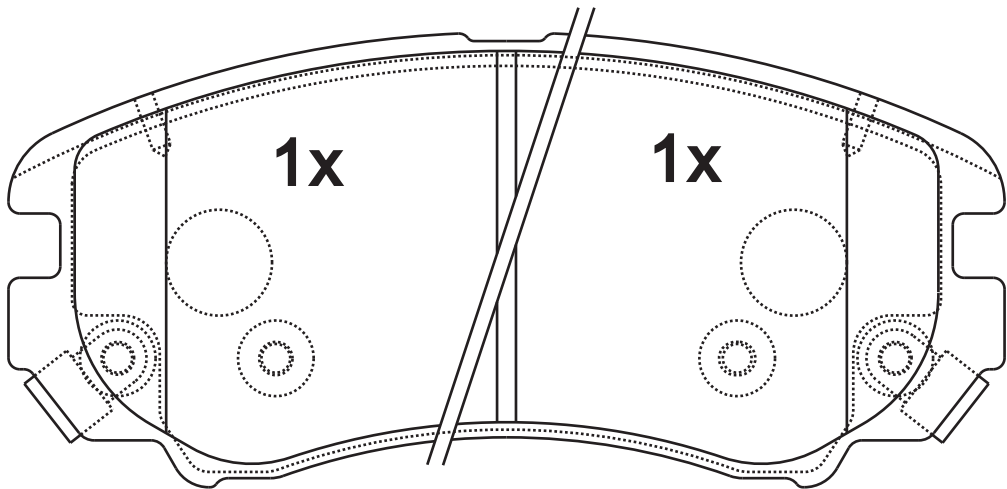
131.7×60

**Thickness
(mm)**

16.9

**NOTE**

4 identical, 1 with
acoustic indicator(left),
1 with acoustic
indicator(right).

**23891****23893****23892****Apply for:**

Hyundai Coupe	Coupe	08.01-08.09
Hyundai Sonata IV	Saloon	10.01-11.04
Hyundai Tucson	Closed off-Road	08.04-03.10
Kia Magentis	Saloon	05.01-
Kia Soul	Hatchback	02.09-
Kia Sportage	Closed off-Road	09.04-

SR0378.01

**Dimension
(mm)**

104.3×38.9

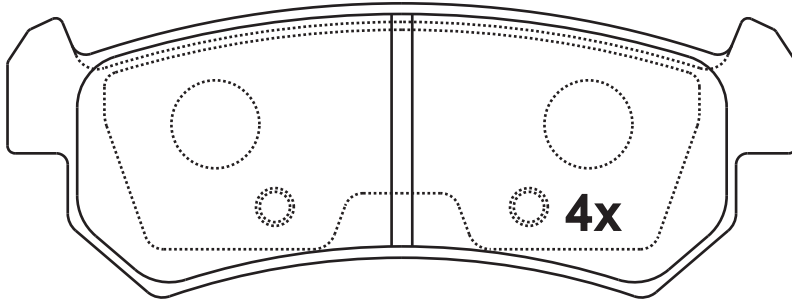
**Thickness
(mm)**

14.6



NOTE

4 identical;



24071

Apply for:

Daewoo Nubira
Daewoo Nubira

Saloon
Estate

07.03-
07.03-

SR0379.01

**Dimension
(mm)**

156.3×66.4
155×68.7

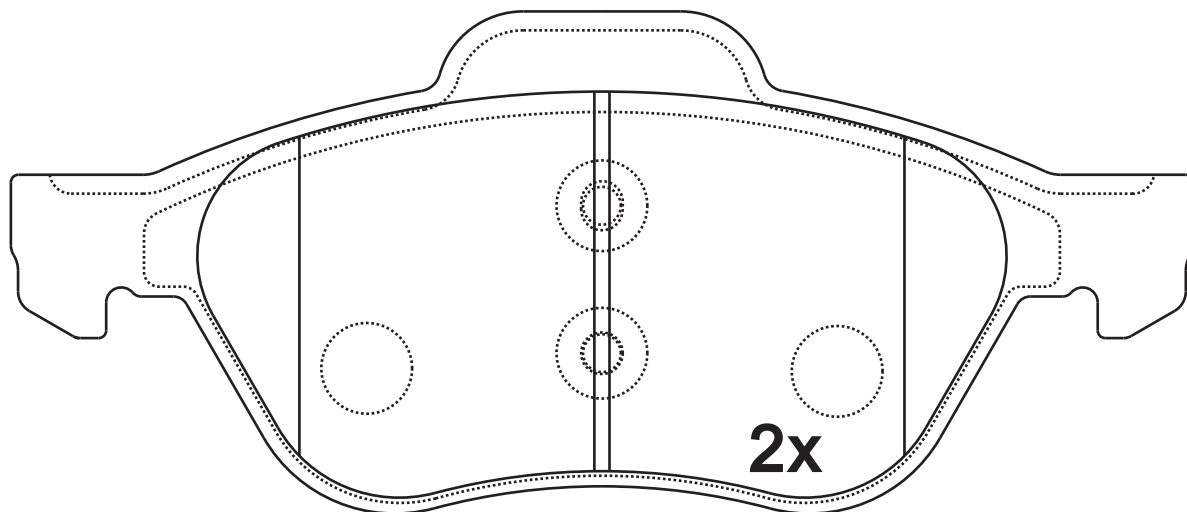
**Thickness
(mm)**

17.5

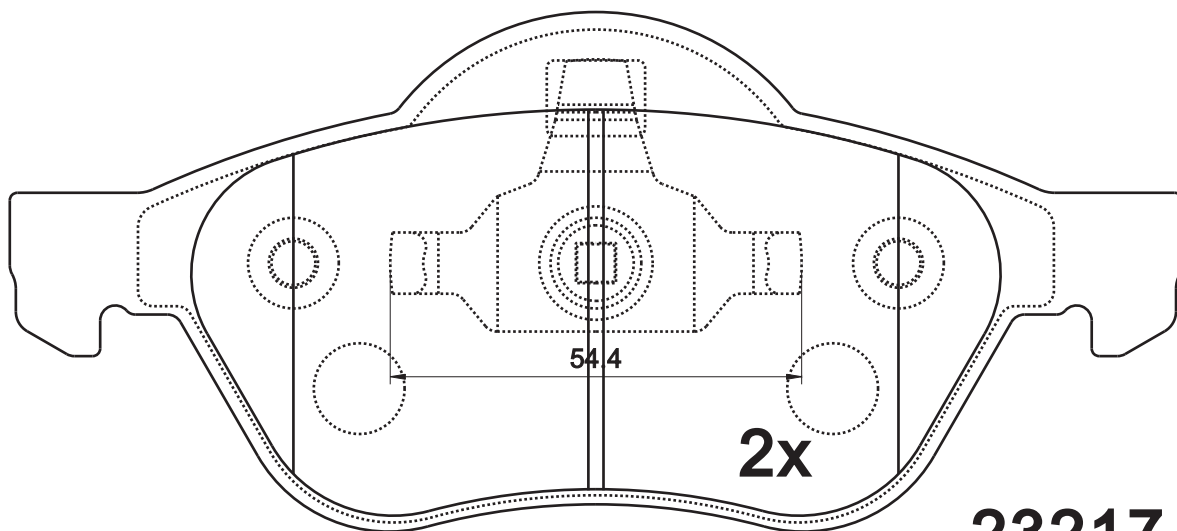


NOTE

**2 identical; 2 identical
with spring.**



23215



23217

Apply for:

Renault Laguna III

Hatchback

10.07-

SR0379.02

**Dimension
(mm)**

156.3×66.4
155×68.7

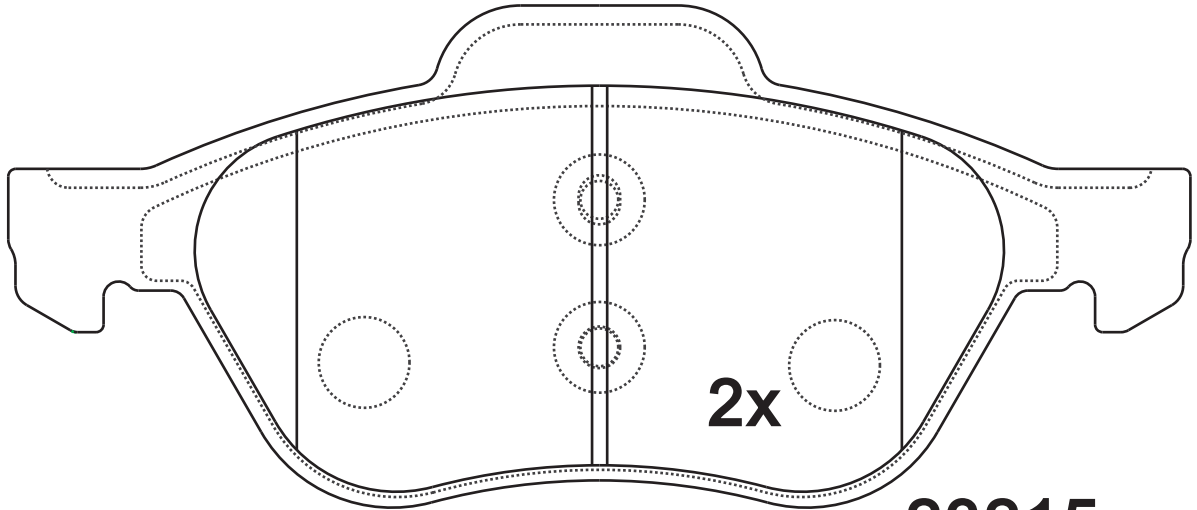
**Thickness
(mm)**

17.5

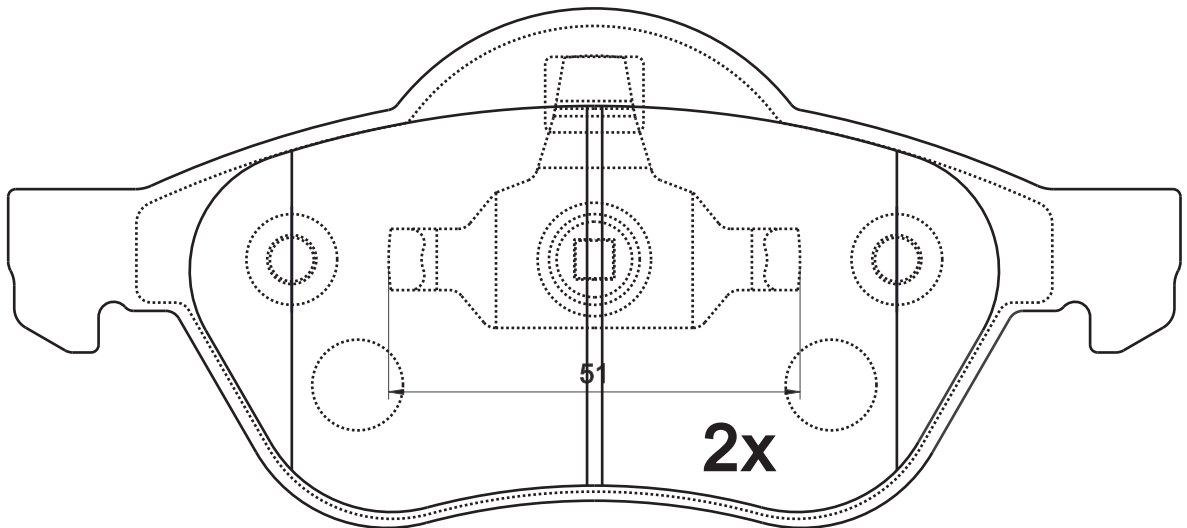


NOTE

**2 identical; 2 identical
with spring.**



23215



23217

Apply for:

Renault Laguna III

Hatchback

10.07-

SR0379.03

**Dimension
(mm)**

**Thickness
(mm)**

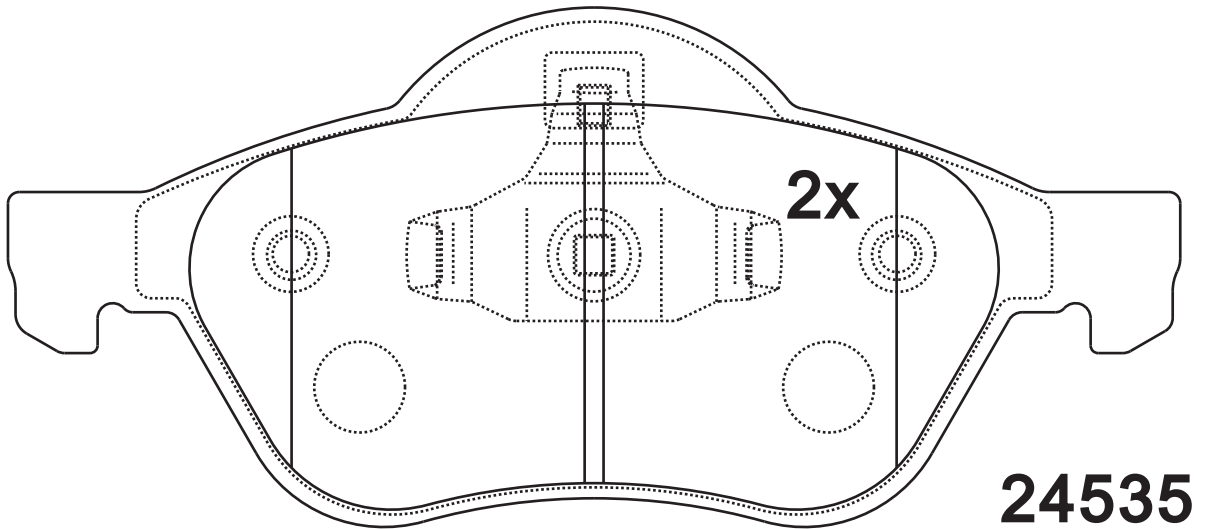
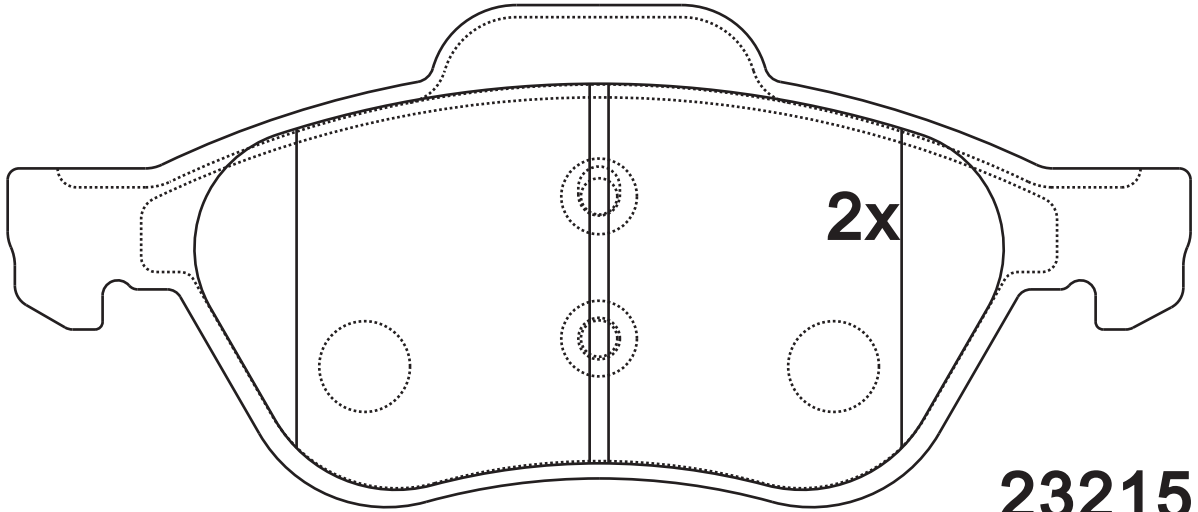


NOTE

**2 identical; 2 identical
with spring.**

155.2/156.3×69/67

17.5




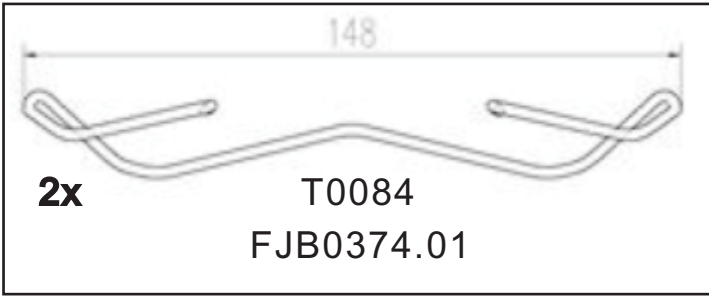
Apply for:

Renault Laguna III

Hatchback

10.07-

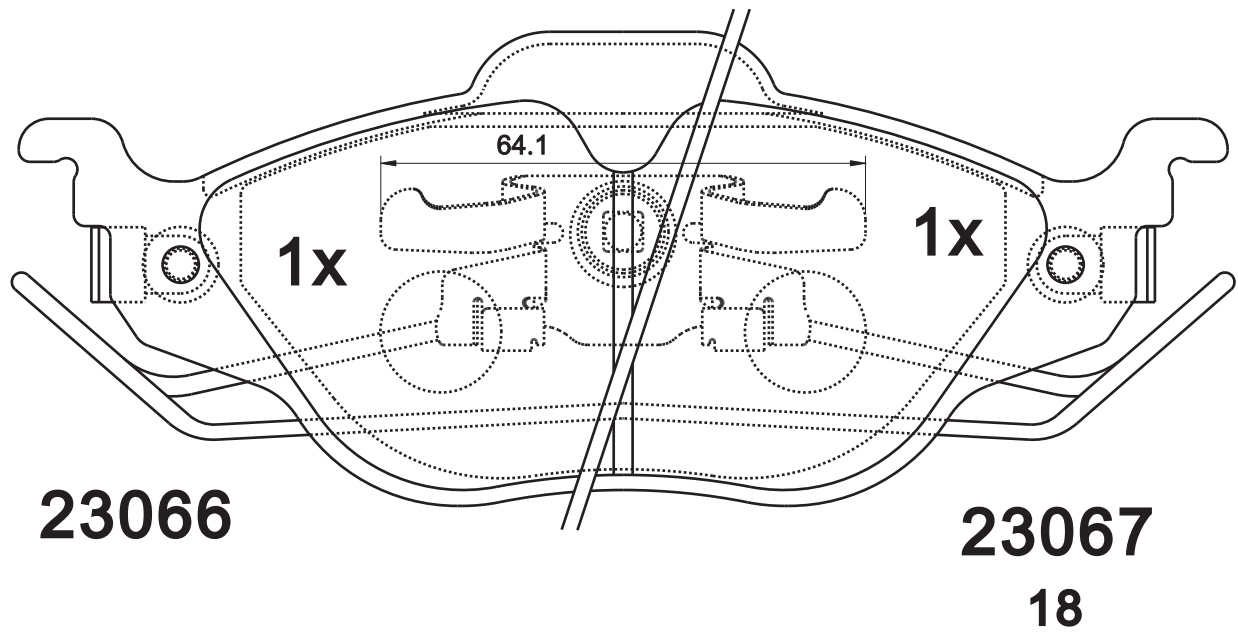
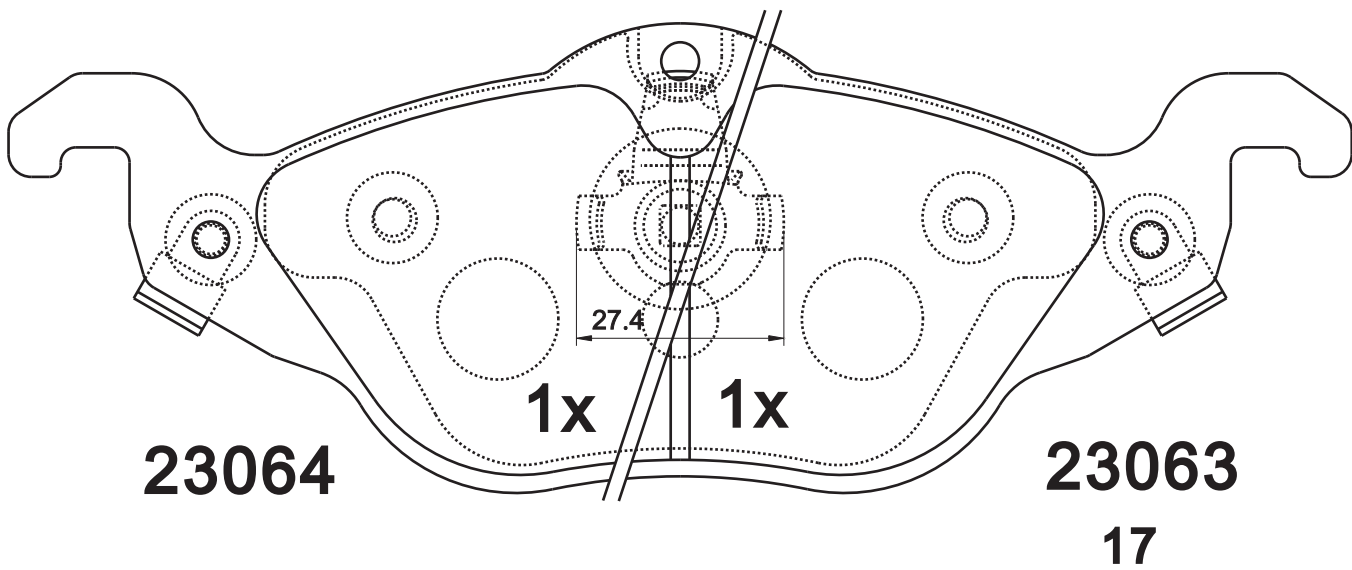
SR0379	Dimension (mm)	Thickness (mm)		NOTE
				附件包 Accessory bag



SR0380.01

Dimension (mm)	Thickness (mm)	
159.8×62.7 177.6×62.1	17/18	

NOTE
2 identical with spring;
2 identical with spring;



Apply for:

Opel Astra G
Opel Zafira A

Hatchback
MPV

02.98-12.09
04.99-06.05

SR0381.01

**Dimension
(mm)**

155.2×71.5
156.4×78.4

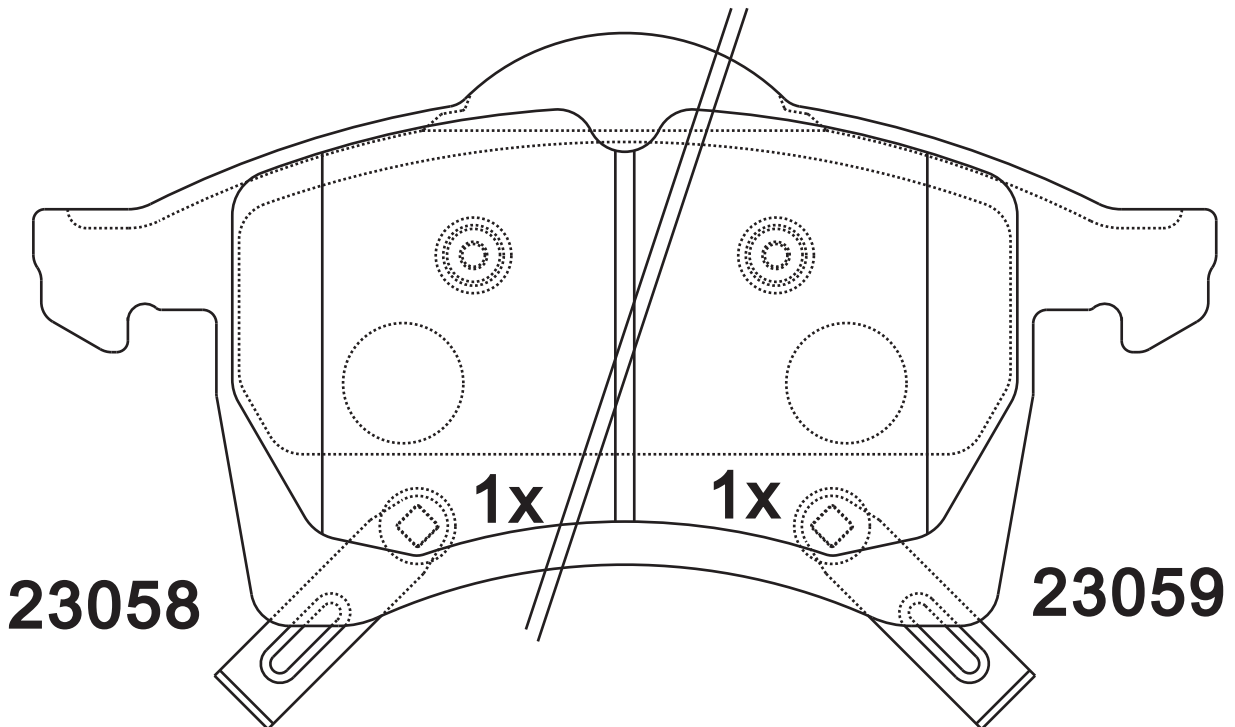
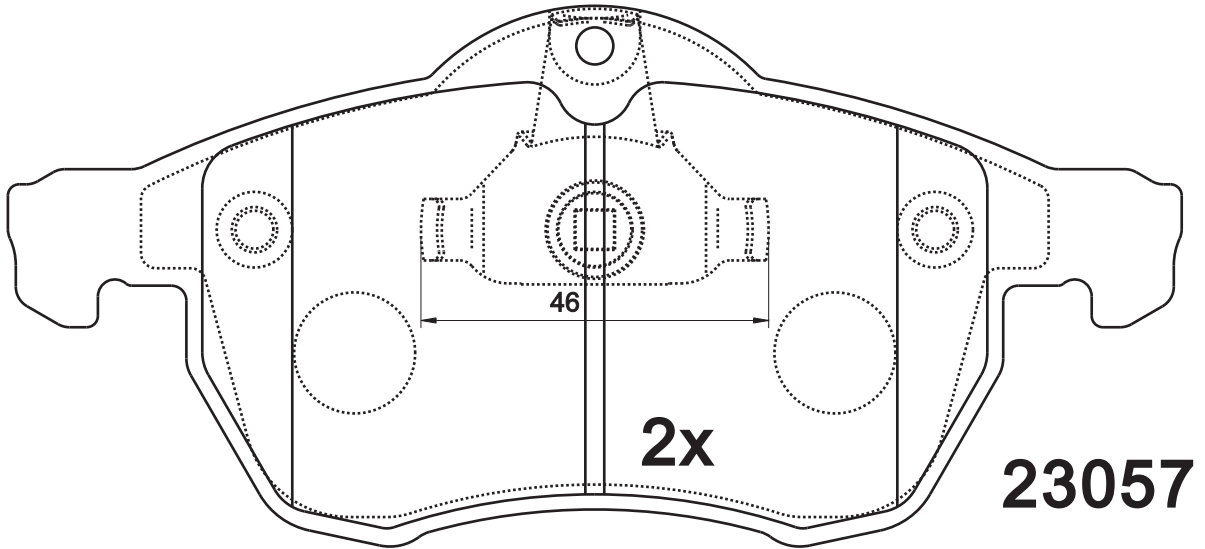
**Thickness
(mm)**

19.6



NOTE

2 Identical with spring;
2 identical 1 with
acoustic indicator(left),
1 with acoustic indicator
(right) .



Apply for:

Opel Astra G
Opel Zafira A

Hatchback
MPV

02.98-01.05
04.99-06.05

SR0381

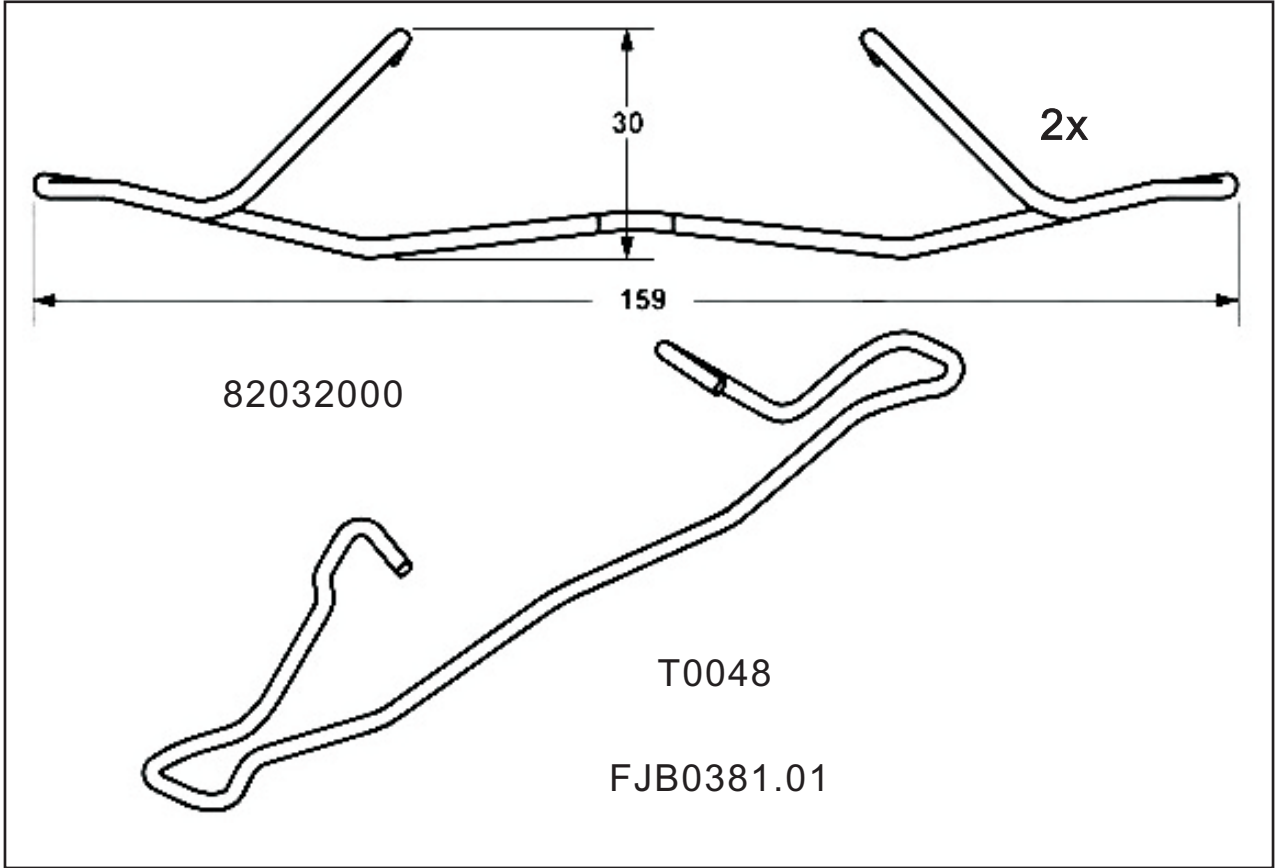
**Dimension
(mm)**

**Thickness
(mm)**



NOTE

附件包
Accessory bag



SR0382.01

**Dimension
(mm)**

156.3×52.7

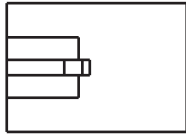
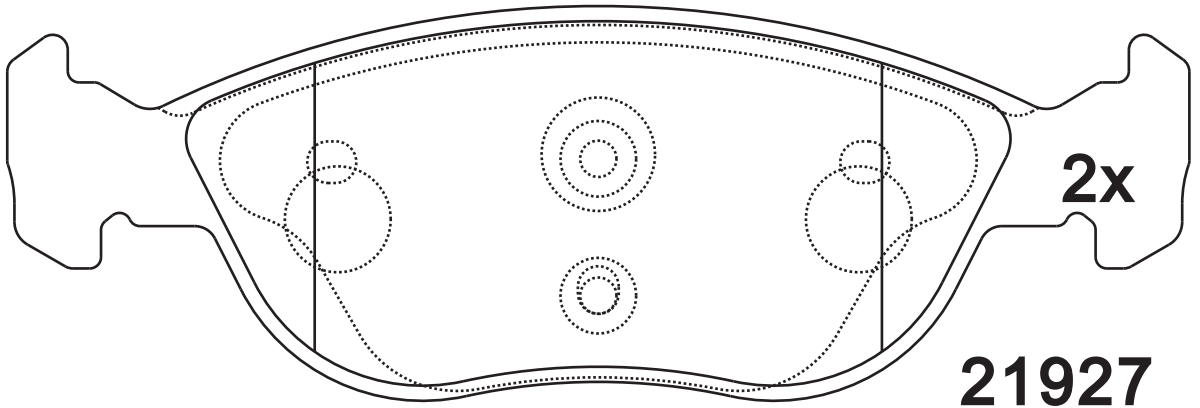
**Thickness
(mm)**

17.9

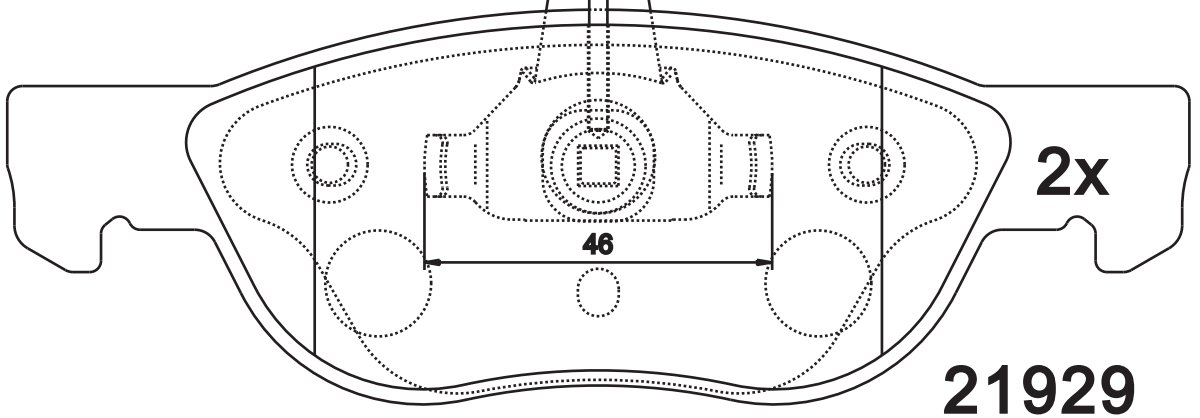


NOTE

**2 identical; 2 identical
with spring and warn
indicator: 198mm.**



X0013B 总长214mm



Apply for:

Fiat Punto
Fiat Punto

Saloon
Van

09.99-
02.00-

SR0382.02

**Dimension
(mm)**

156.3×52.7

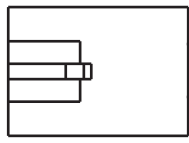
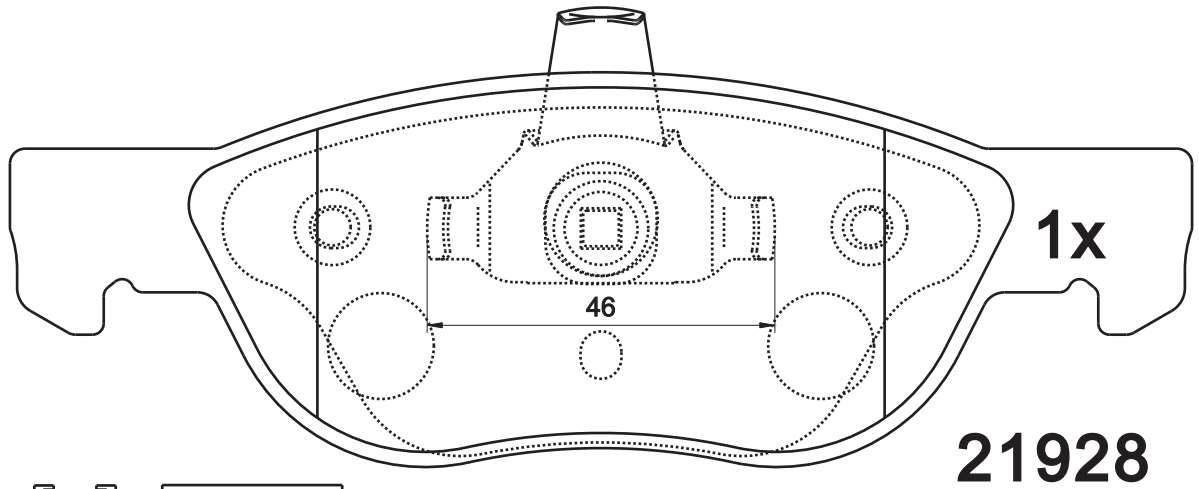
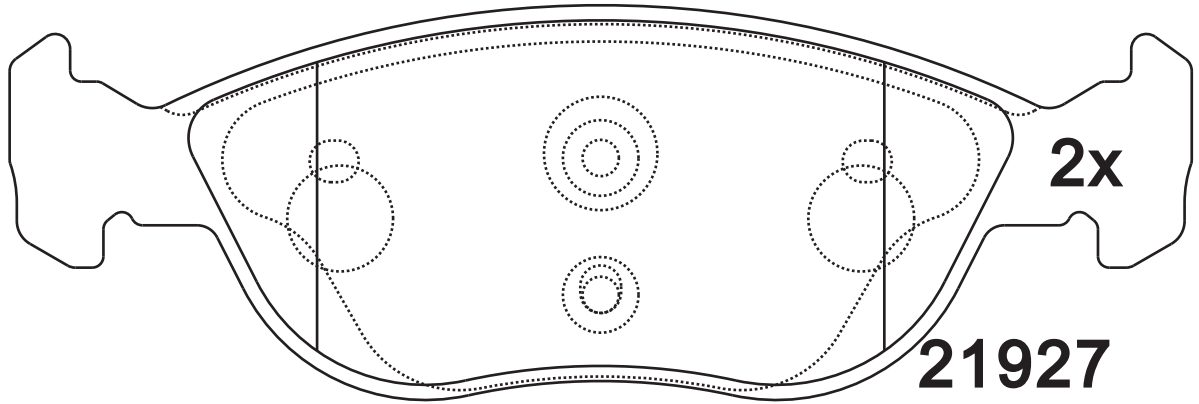
**Thickness
(mm)**

17.9

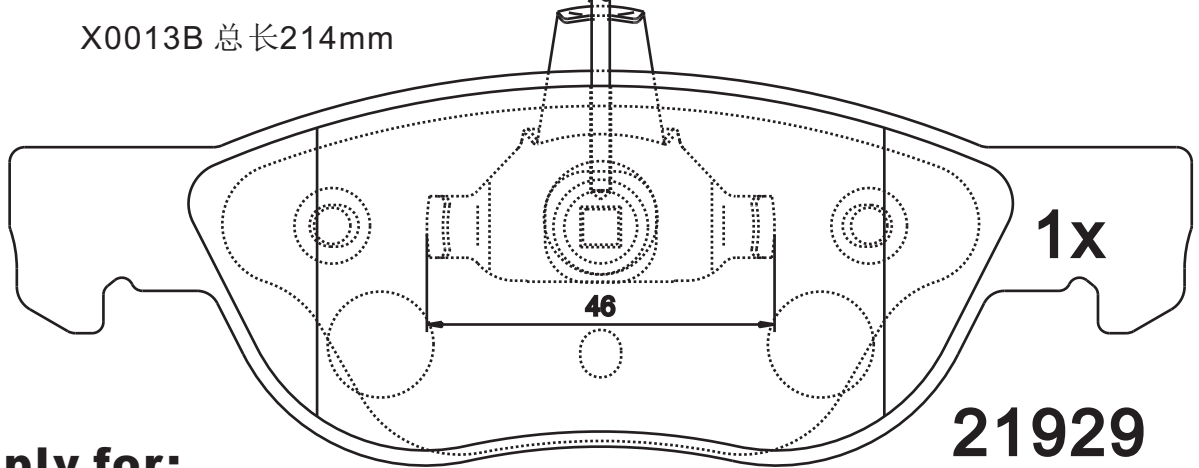


NOTE

2 identical; 2 identical with spring and warn indicator: 198mm.



X0013B 总长214mm



Apply for:

Fiat Punto
Fiat Punto

Saloon
Van

09.99-
02.00-

SR0382.03

**Dimension
(mm)**

156.3×52.7

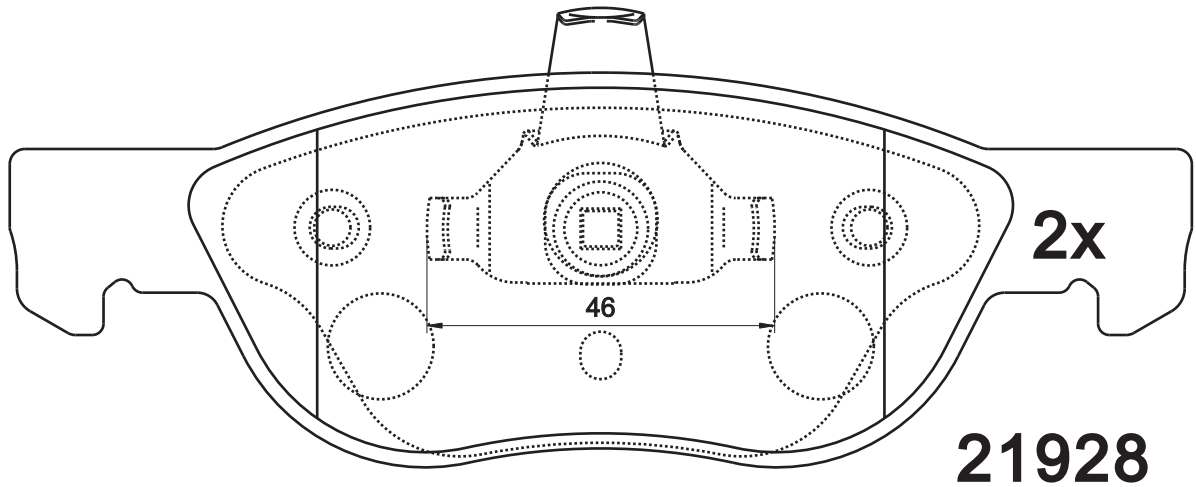
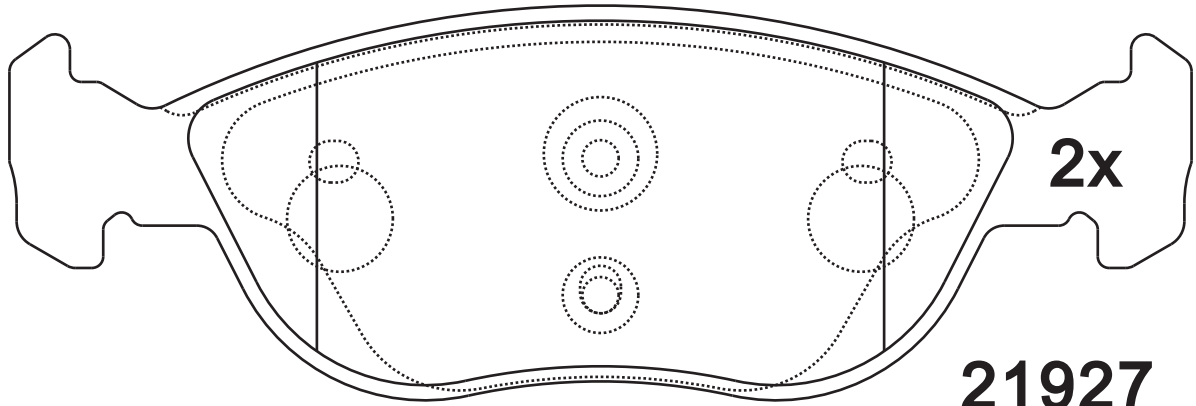
**Thickness
(mm)**

17.9



NOTE

**2 identical; 2 identical
with spring and warn
indicator: 198mm.**



Apply for:

Fiat Punto
Fiat Punto

Saloon
Van

09.99-
02.00-

SR0382

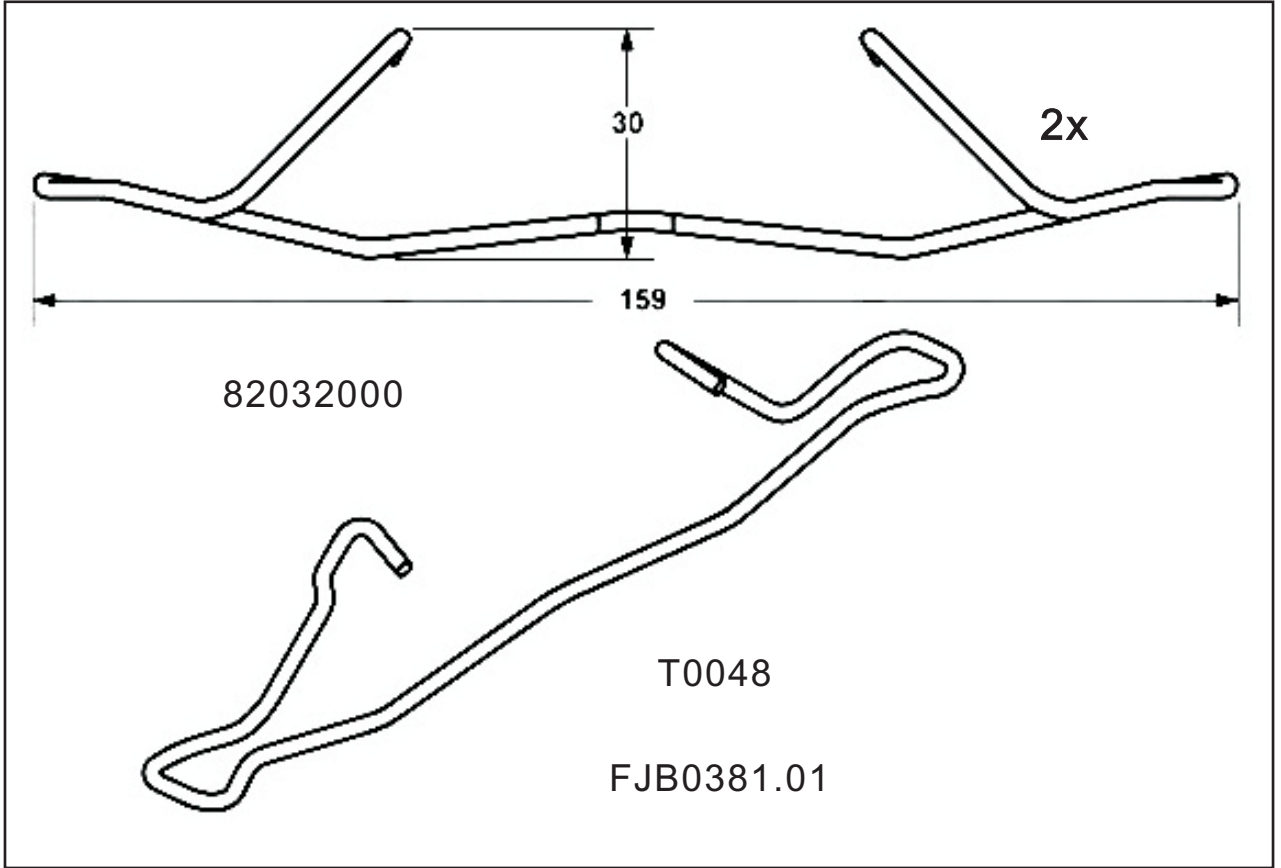
**Dimension
(mm)**

**Thickness
(mm)**



NOTE

附件包
Accessory bag



SR0383.01**Dimension
(mm)**

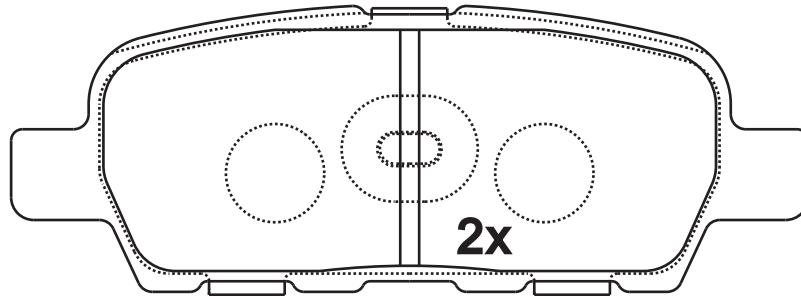
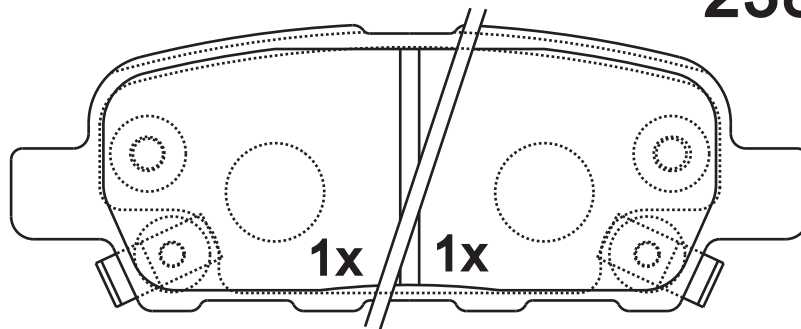
105.3×37.8

**Thickness
(mm)**

14.5

**NOTE**

4 identical, 1 with acoustic indicator (left),
1 with acoustic indicator (right).

**23871****23872****23872****Apply for:**

Nissan Cube	Hatchback	03.10-
Nissan Murano	Closed off-Road	08.03-
Nissan Qashqai	Closed off-Road	02.07-
Nissan Tiida	Hatchback	09.07-
Nissan Tiida	Saloon	09.07-
Nissan X-trail	Closed off-Road	11.02-
Renault Koleos	Closed off-Road	09.08-
Suzuki Kizashi	Saloon	10.10-
Infiniti FX	Hatchback	09.02-

SR0383.02

**Dimension
(mm)**

**Thickness
(mm)**

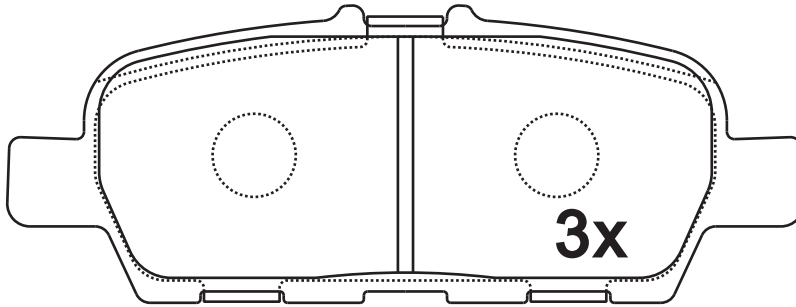


NOTE

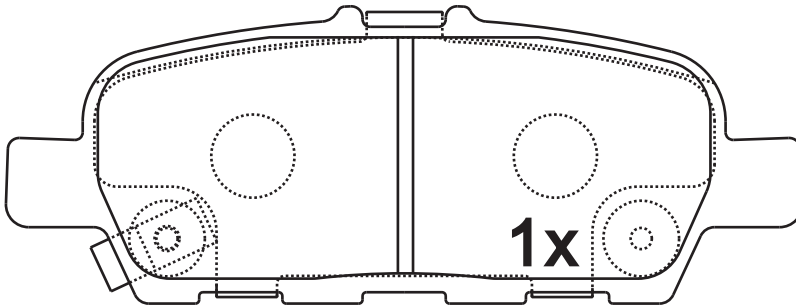
4 identical, 1 with acoustic indicator (left), 1 with acoustic indicator (right).

105.3×39.4

14.5



24871



24872

Apply for:

Nissan CUBE (Z12)

Nissan JUKE (F15)

Nissan MURANO II (Z51)

Nissan MURANO III (Z52_)

Nissan PATHFINDER IV (R52)

SUZUKI GRAND VITARA II (JT, TE, TD)

09/07 -

06/10 -

10/07 - 09/14

10/14 -

09/12 -

04/05 -

SR0384.01

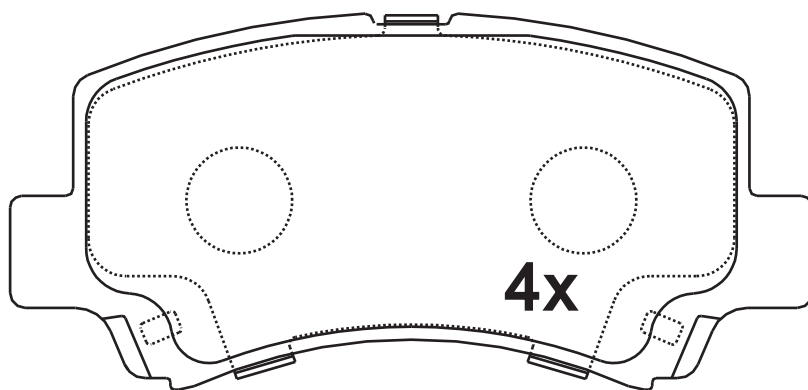
**Dimension
(mm)**

**Thickness
(mm)**



NOTE

4 identical;



23662



Apply for:

Changan ZHIXING

SR0385.01

**Dimension
(mm)**

102.9×41.7
107.9×41.7

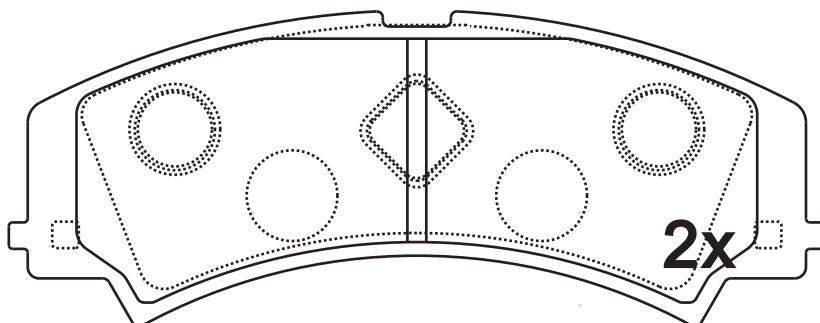
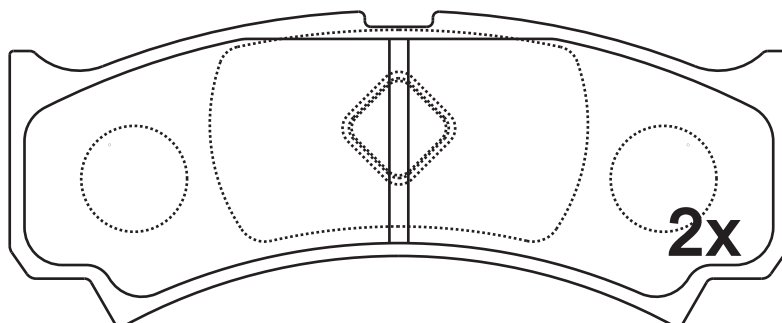
**Thickness
(mm)**

15



NOTE

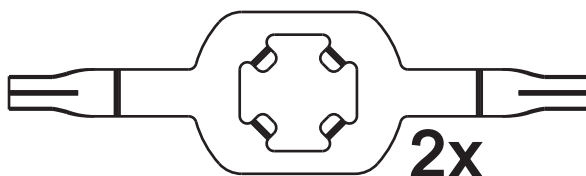
2 identical; 2 identical;



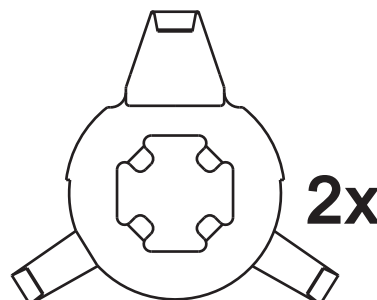
D1512



B0099



K0018A



K0372

Apply for:

Daihatsu Charade/Aura G100S

1987-1993

SR0386.01

**Dimension
(mm)**

194.4×69.9
193.2×69.7

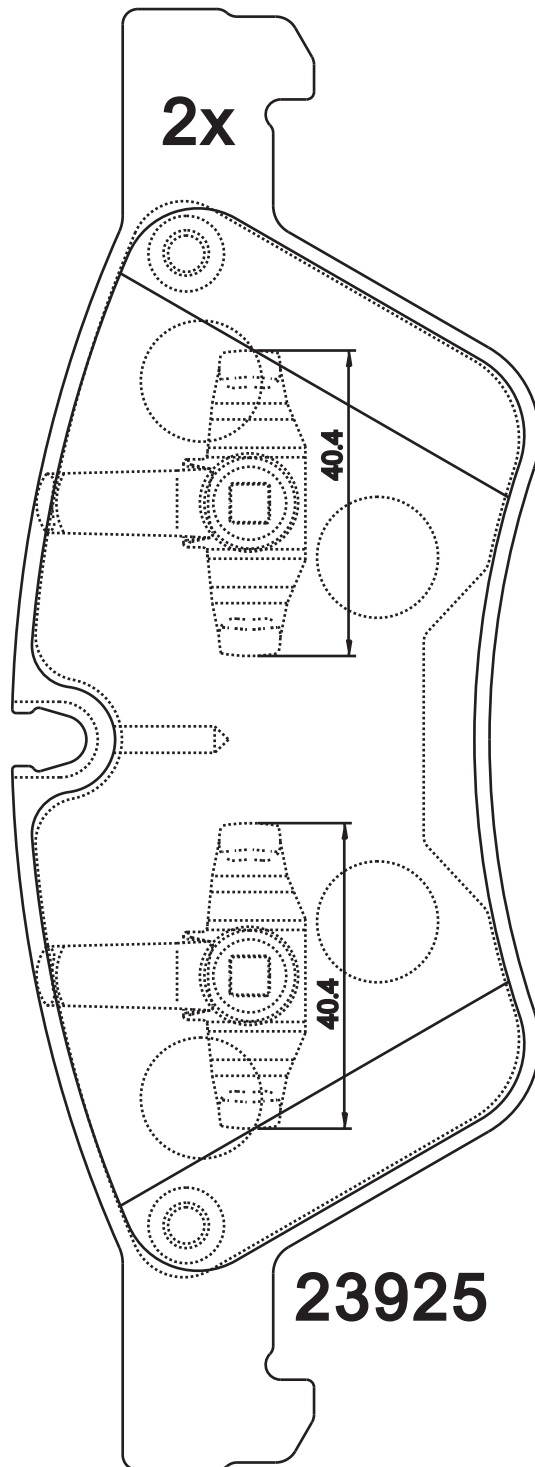
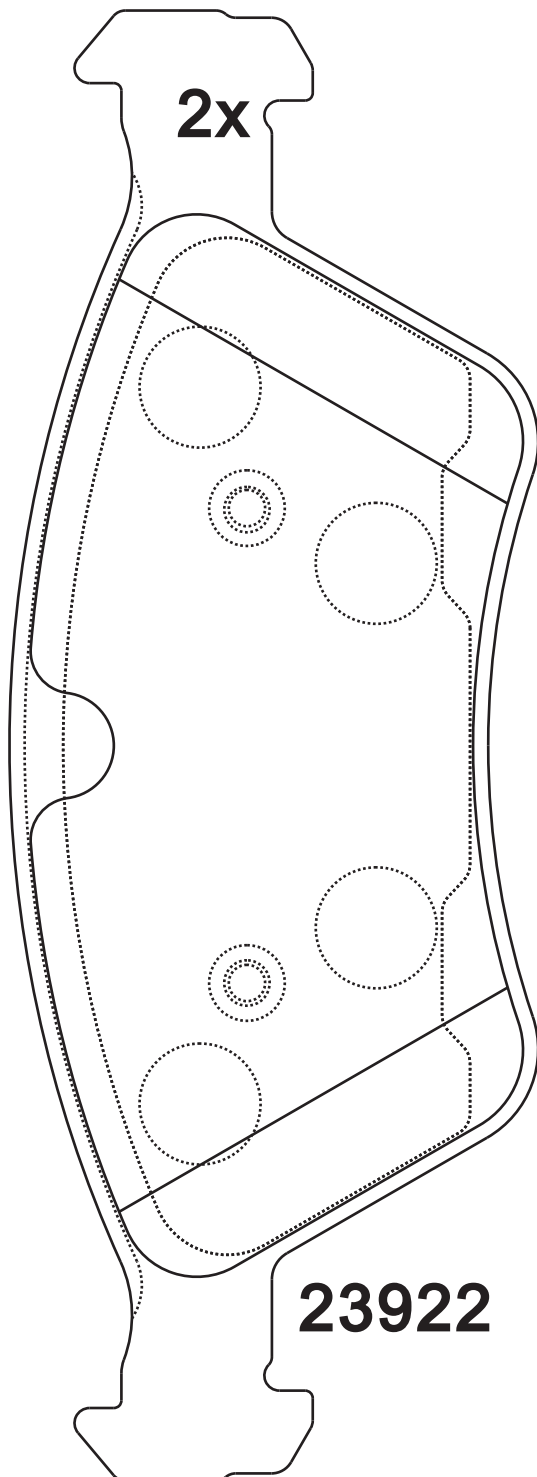
**Thickness
(mm)**

20.5



NOTE

**2 identical; 2 identical
with spring.**



Apply for:

Mercedes E-class
Mercedes E-class
Mercedes M-class
Mercedes R-class
Mercedes GL-class

Saloon
Estate
Closed off-Road
MPV
Closed off-Road

10.03-12.08
10.03-07.09
07.05-
01.06-
09.06-

SR0386

**Dimension
(mm)**

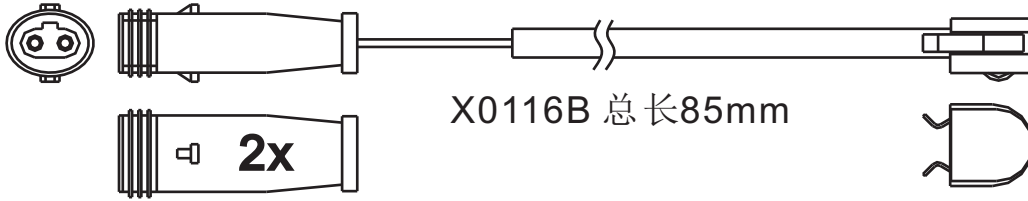
**Thickness
(mm)**



NOTE

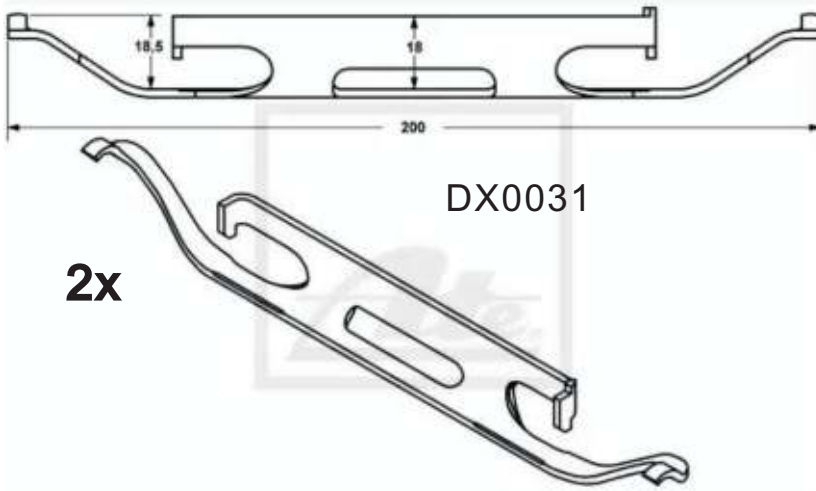
附件包

Accessory bag



X0116B 总长85mm

FJB2X0116B

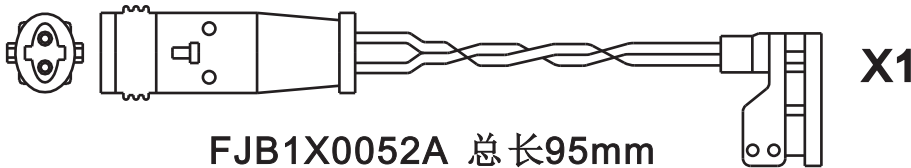


DX0031

2x

FJB0386.01

82059200



FJB1X0052A 总长95mm

SR0387.01

**Dimension
(mm)**

**Thickness
(mm)**

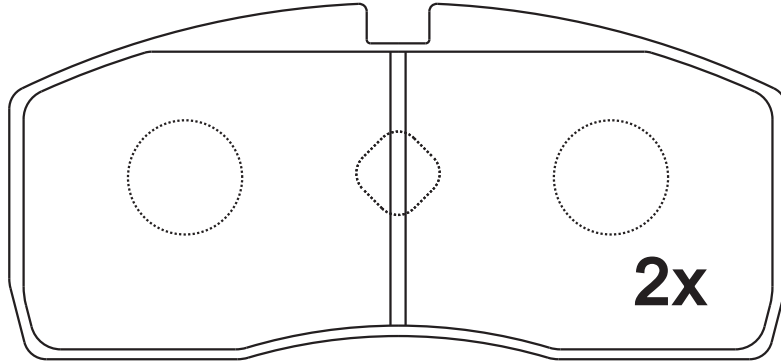


NOTE

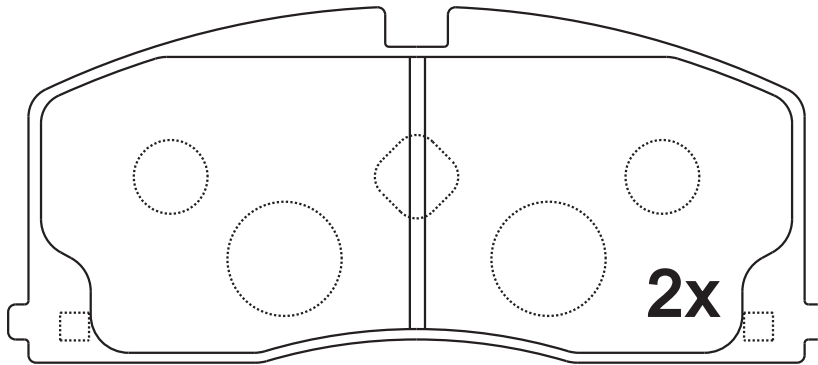
2 identical;2 identical;

108/102.8×47

14



GDB7020



GDB7020



B0099

Apply for:

Daihatsu Charade III

Hatchback

06.88-12.92

SR0388.01

**Dimension
(mm)**

**Thickness
(mm)**

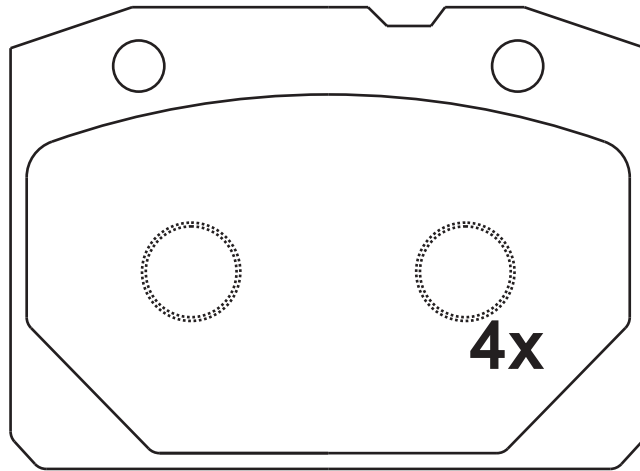


NOTE

4 identical;

84×60.3

16



Apply for:

Lada 1200/1300

01.70-01.87

Lada 1500/1600

01.72-01.86

SR0389.01

**Dimension
(mm)**

173×58

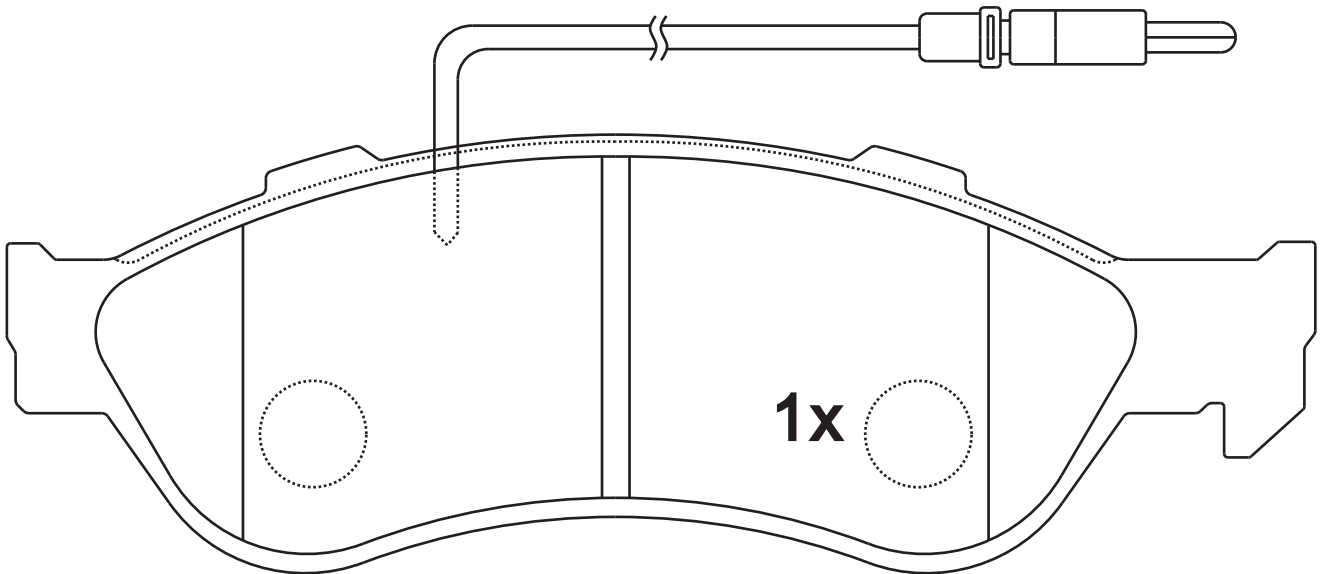
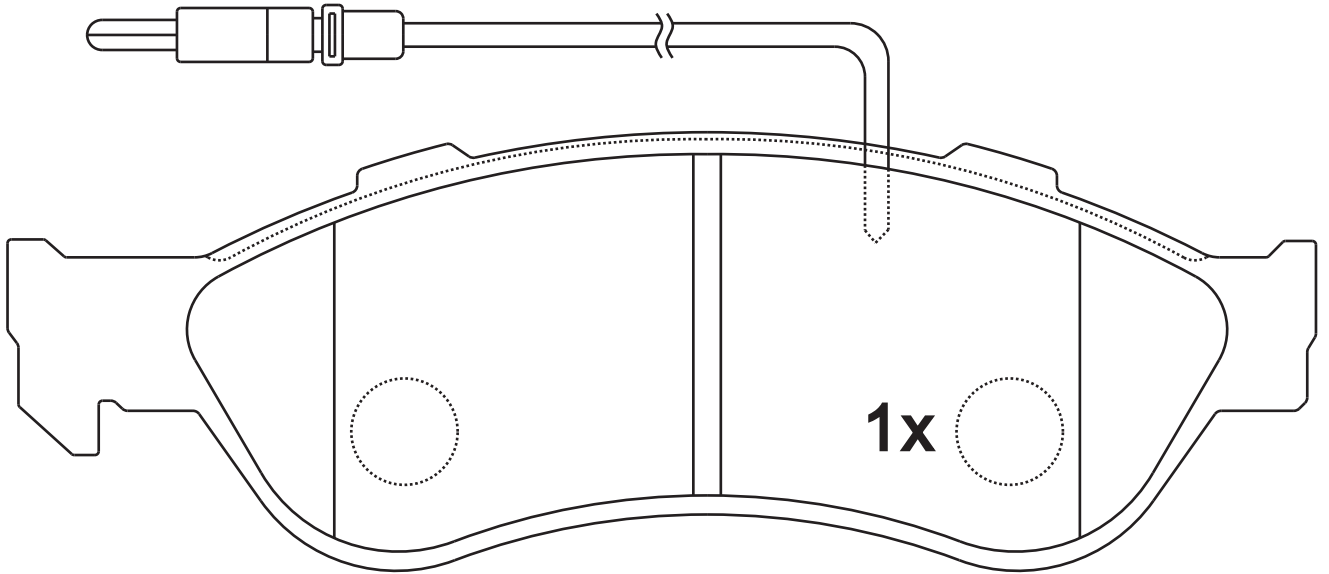
**Thickness
(mm)**

18.5



NOTE

4 identical, 2 with warn indicators.



.....Next Page

SR0389.01

**Dimension
(mm)**

173×58

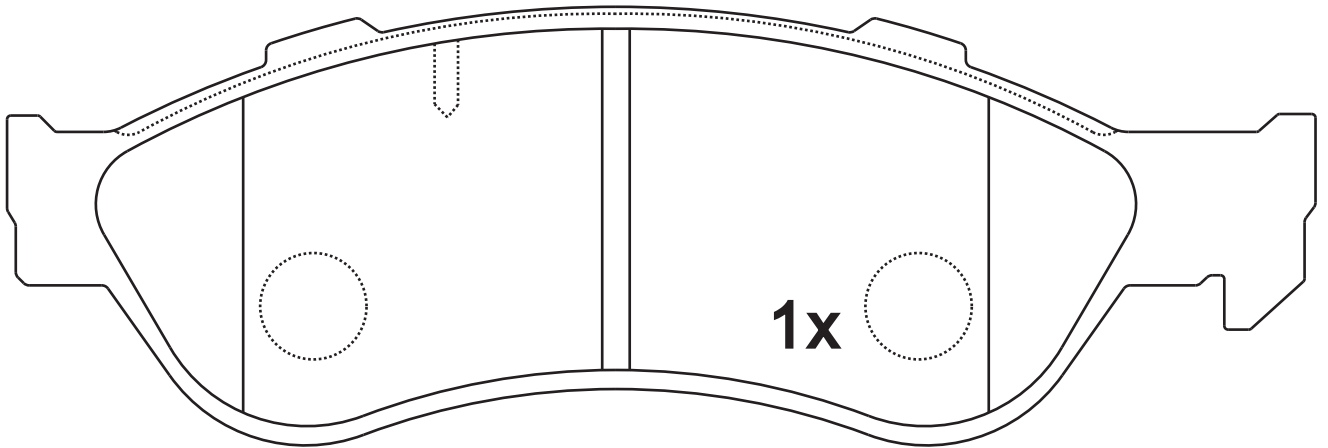
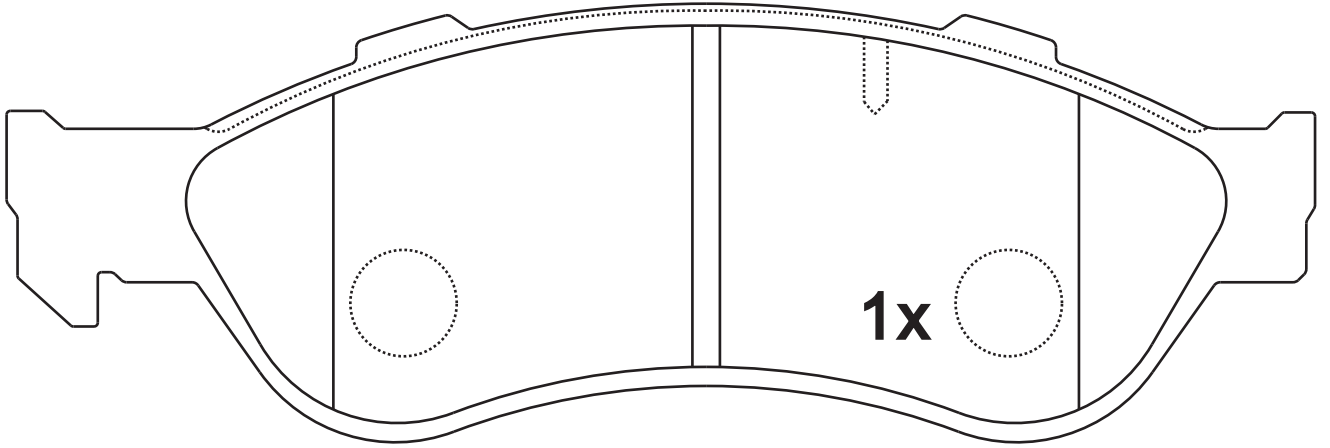
**Thickness
(mm)**

18.5



NOTE

4 identical, 2 with warn indicators.



Apply for:

Peugeot J9

SR0390.01

**Dimension
(mm)**

137.8×50.5

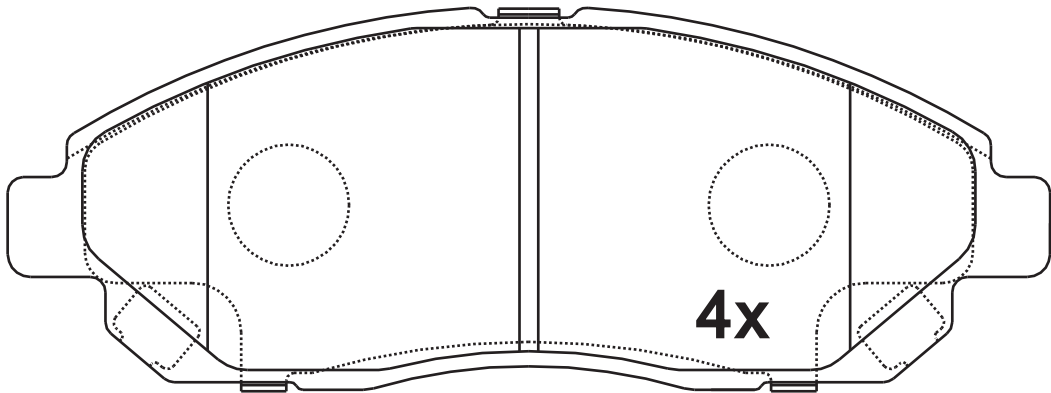
**Thickness
(mm)**

15.5



NOTE

4 identical;





GDB7166

Apply for:

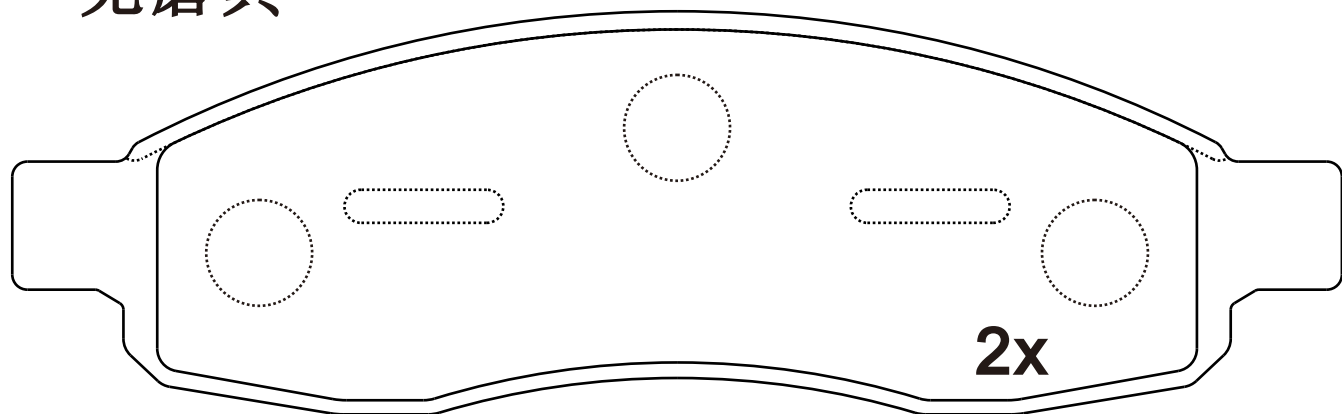
Dongnan Freeca

MPV

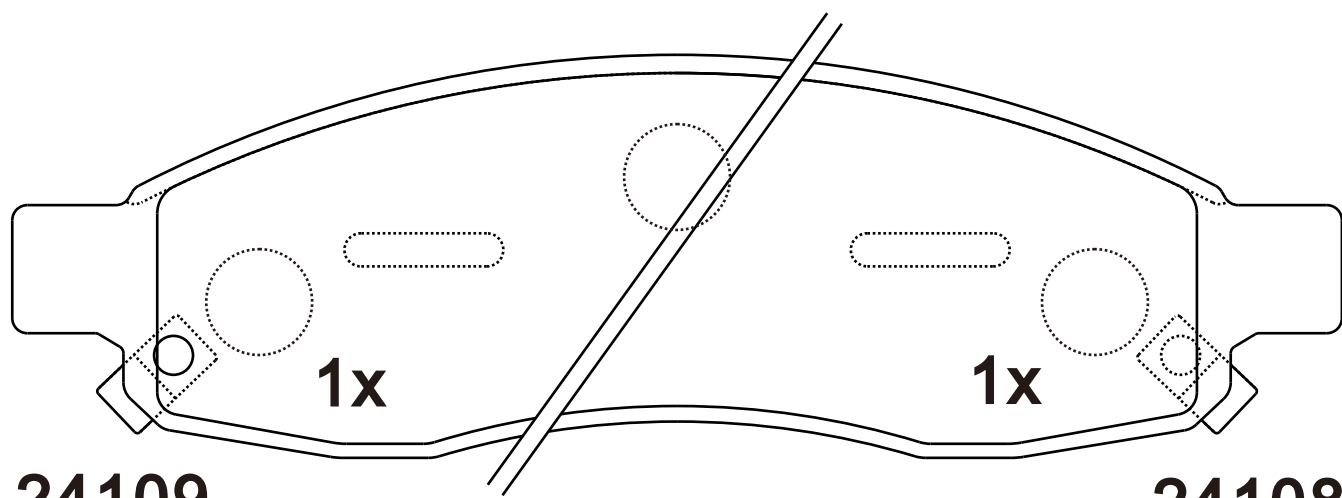
03.00-09.04

SR0391.01	Dimension (mm)	Thickness (mm)		NOTE 4 identical, 1 with acoustic indicator (left), 1 with acoustic indicator (right).
	175.8×53.3	18		

无磨具



24106



24109

24108

Apply for:

Nissan Armada

Closed off-Road

08.03-12.06

SR0392.01

**Dimension
(mm)**

144.5×49.1

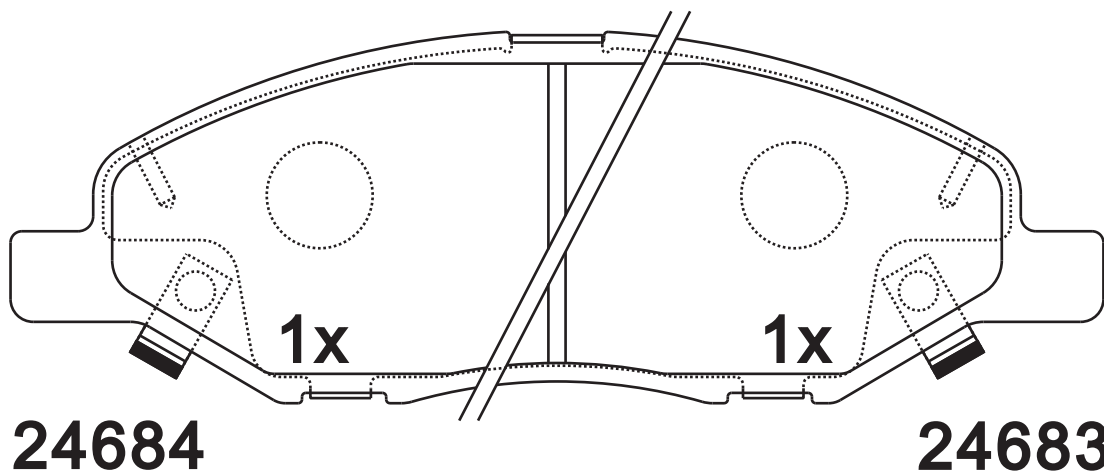
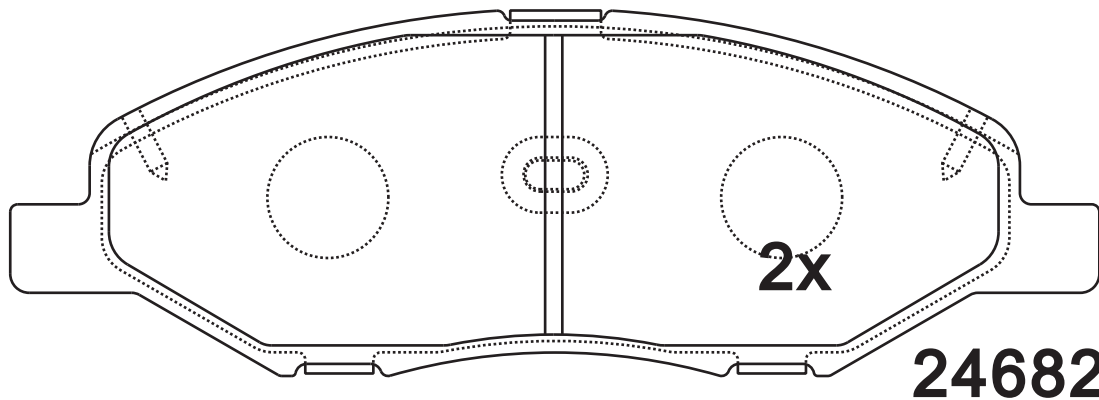
**Thickness
(mm)**

15



NOTE

4 identical, 1 with acoustic indicator (left), 1 with acoustic indicator (right).



Apply for:

Nissan March III
Nissan Note
Nissan Tiida
Nissan Tiida

Hatchback
MPV
Hatchback
Saloon

01.03-06.10
03.06-
09.07-
09.07-

SR0393.01

**Dimension
(mm)**

146.6×59.7

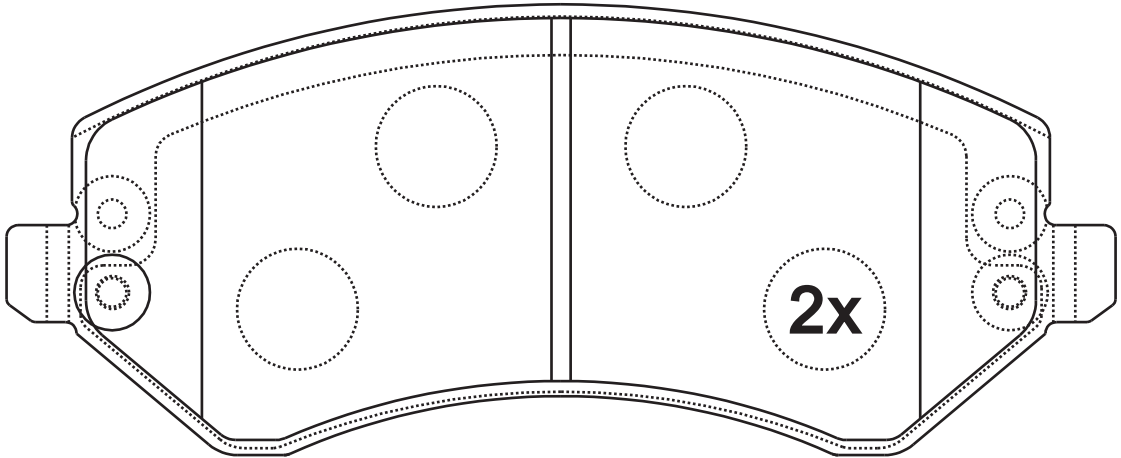
**Thickness
(mm)**

17.5

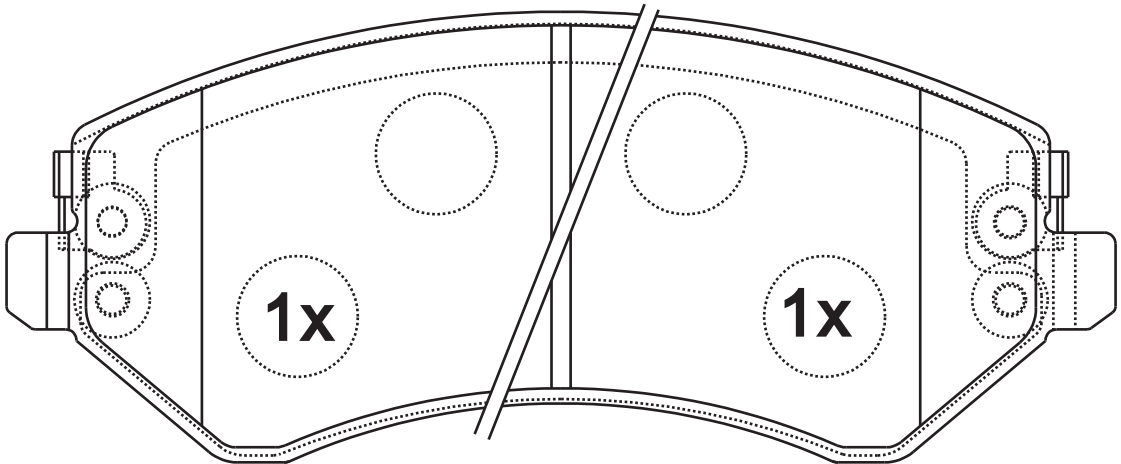


NOTE

4 identical;



23638



23638

Apply for:

Chrysler Voyager IV
Dodge Caravan
Jeep Cherokee

MPV
MPV
Closed off-Road

02.00-12.08
02.00-12.07
09.01-09.04

SR0394.01

**Dimension
(mm)**

156.4×75

**Thickness
(mm)**

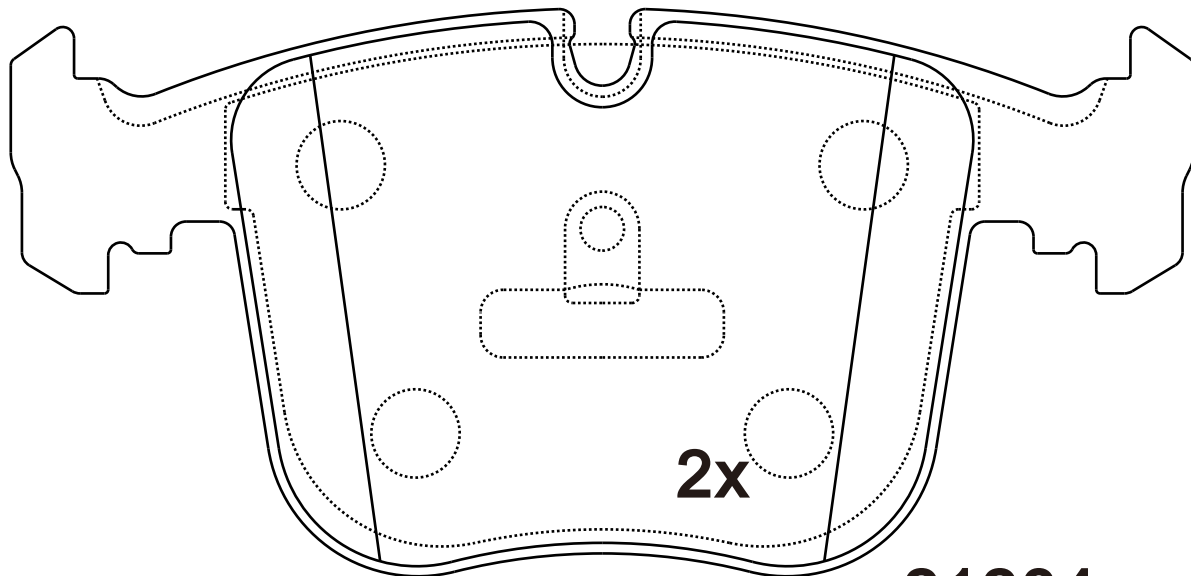
19.1



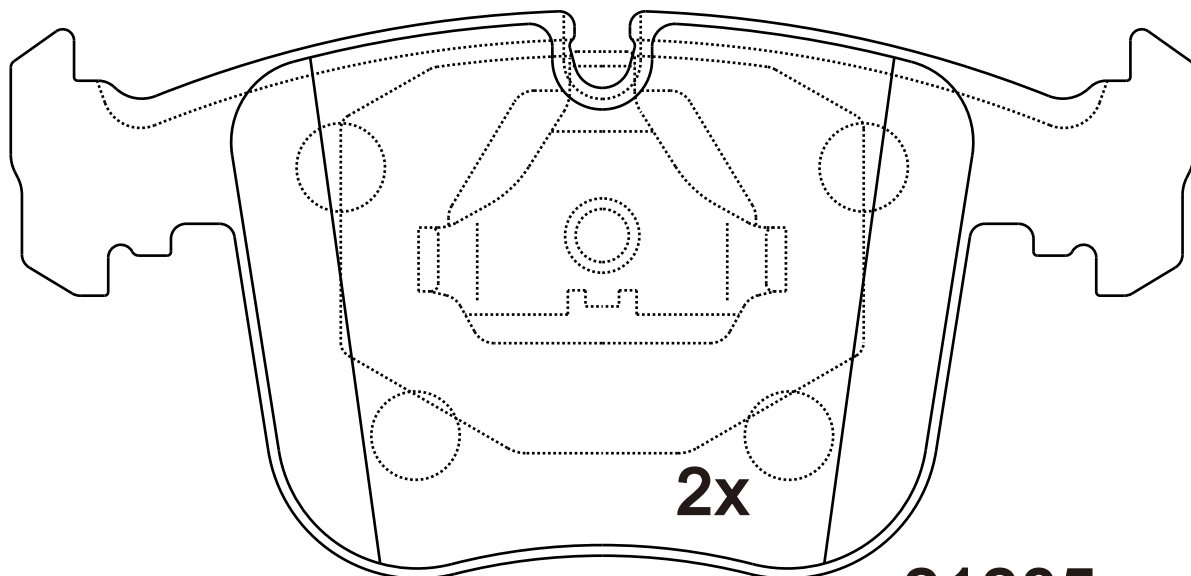
NOTE

**2 identical; 2 identical
with spring.**

无磨具



21284



21285

Apply for:

BMW 8

Saloon

04.90-12.99

SR0395.01

**Dimension
(mm)**

154.7×59.9

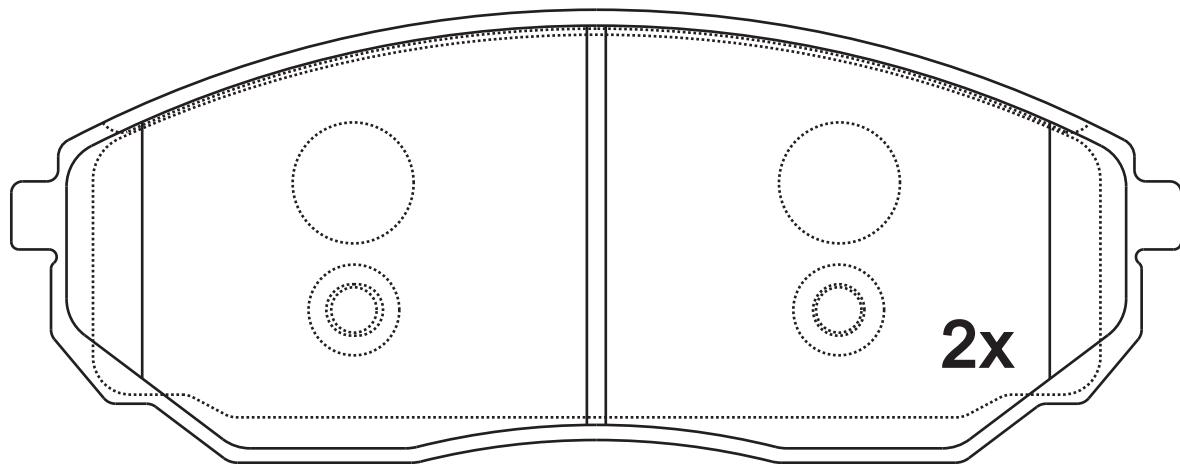
**Thickness
(mm)**

17.1

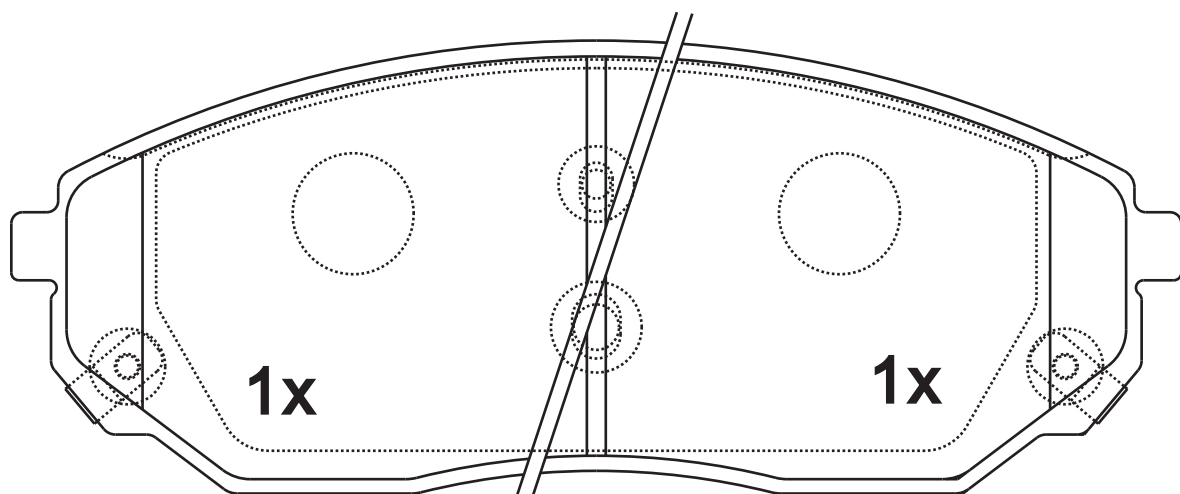


NOTE

4 identical, 1 with acoustic indicator (left), 1 with acoustic indicator (right).



24092



24179

24178

Apply for:

Kia Sorento

Closed off-Road

08.02-

SR0395

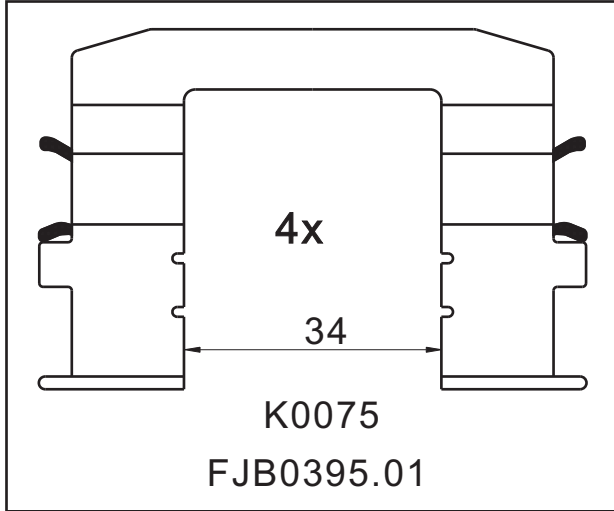
**Dimension
(mm)**

**Thickness
(mm)**



NOTE

**附件包
Accessory bag**



SR0396.01

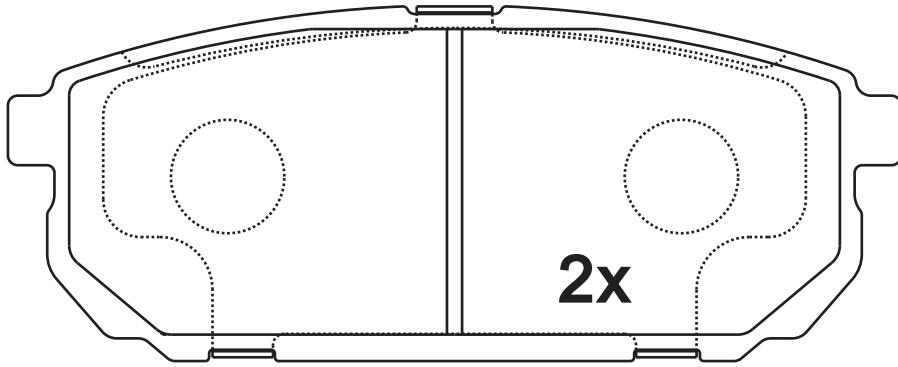
**Dimension
(mm)**

**Thickness
(mm)**

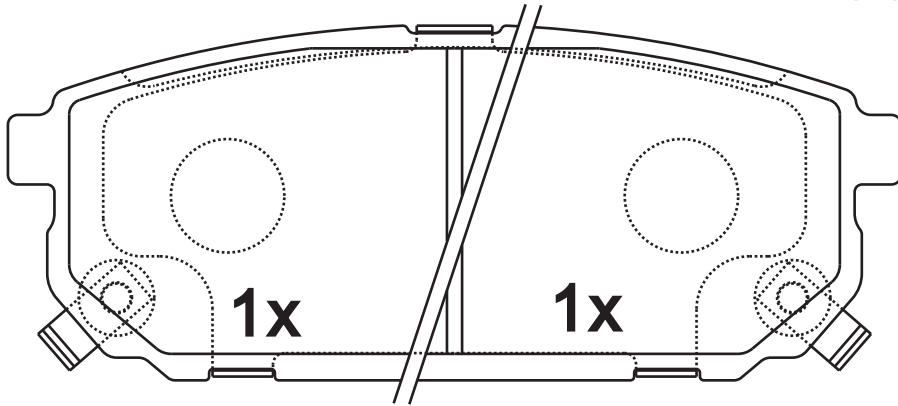


NOTE

**4 identical, 1 with
acoustic indicator (left),
1 with acoustic indicator
(right).**



24058



23997

23993

Apply for:

Kia Sorento I

Closed off-Road

08.02-

SR0396

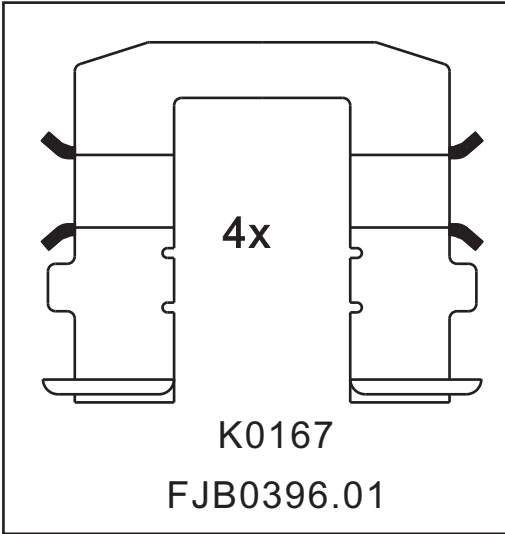
**Dimension
(mm)**

**Thickness
(mm)**



NOTE

**附件包
Accessory bag**



SR0397.01

**Dimension
(mm)**

135.5×65.9

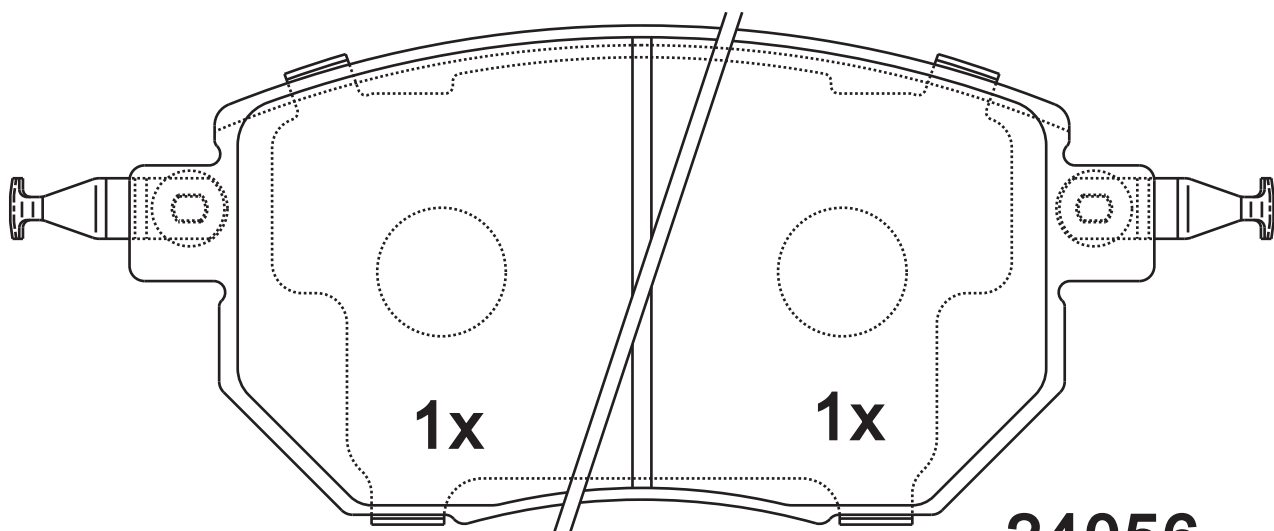
**Thickness
(mm)**

15.5



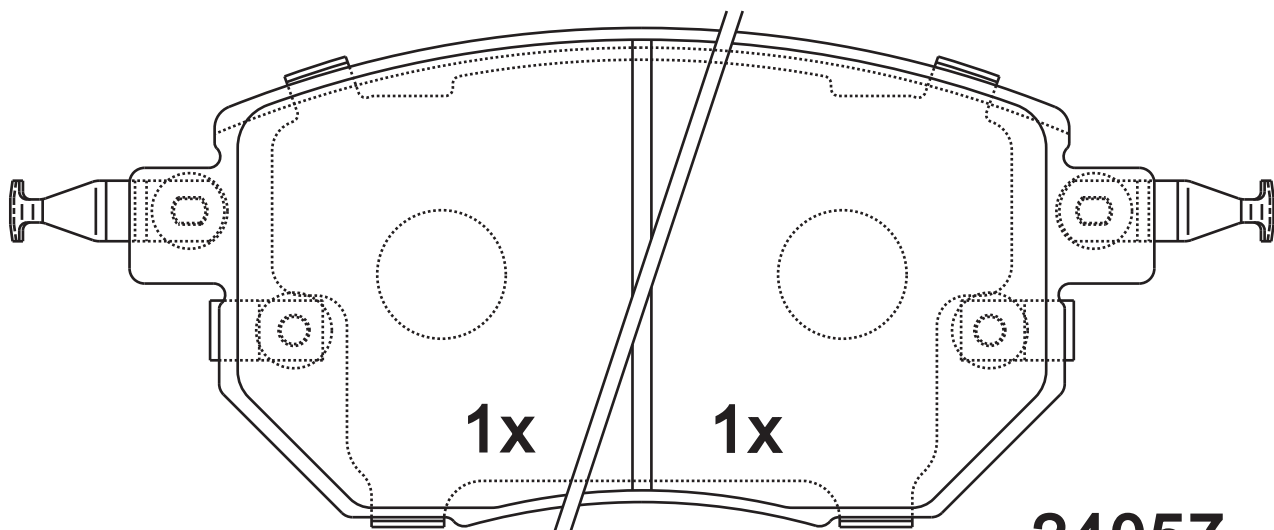
NOTE

4 identical, 1 with
acoustic indicator (left),
1 with acoustic indicator
(right).



24667

24056



24057

Apply for:

Infiniti FX
Nissan Maxima
Nissan Murano

Closed off-Road 01.03-12.08
Estate 10.97-
Closed off-Road 08.03-

SR0397.02

**Dimension
(mm)**

135.5×65.9

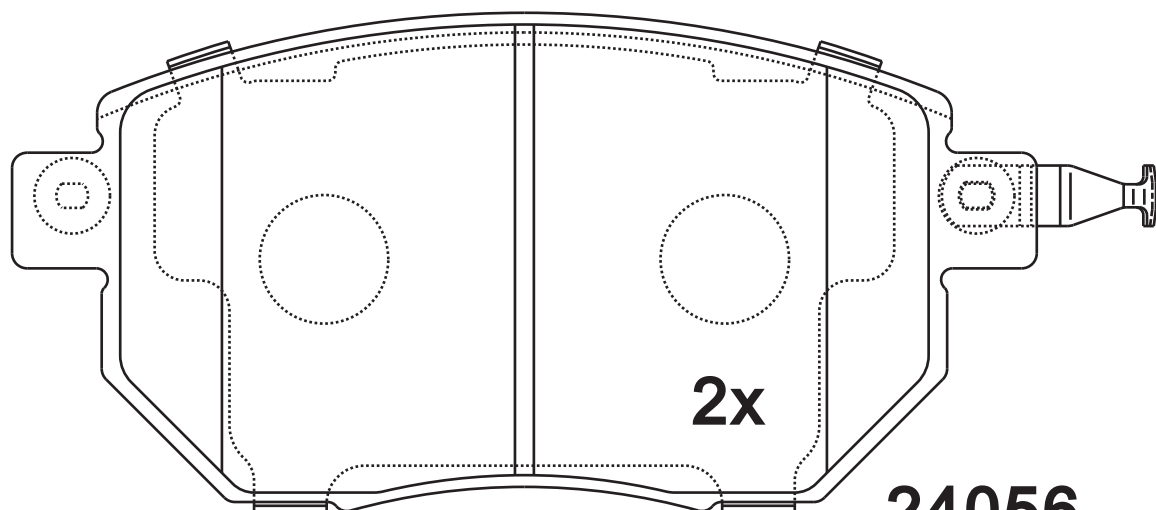
**Thickness
(mm)**

15.5

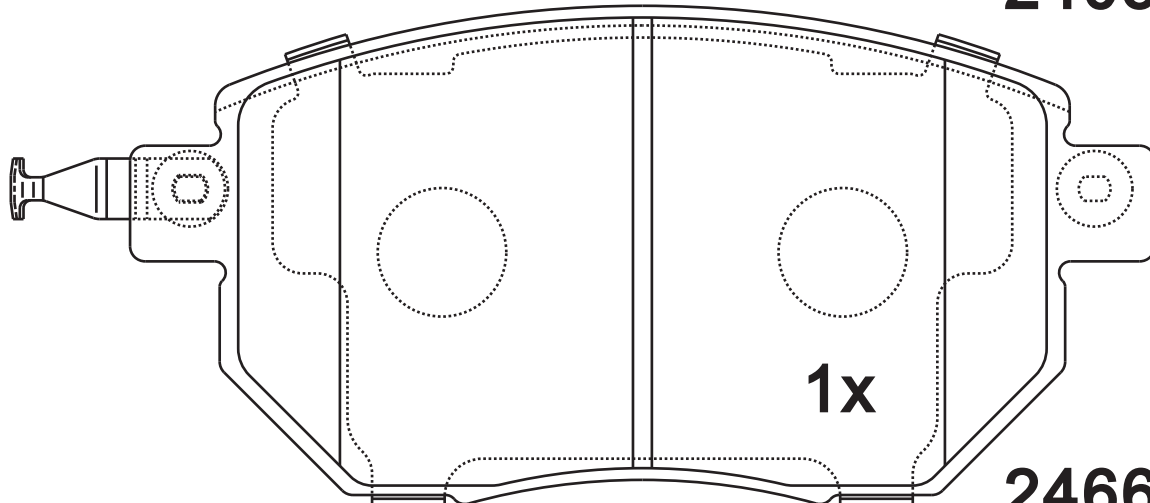


NOTE

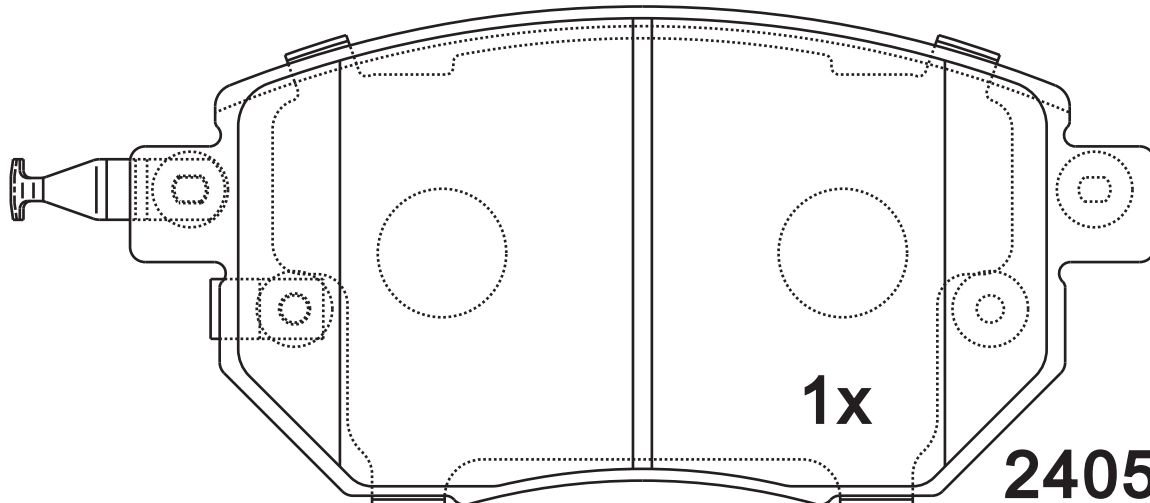
4 identical,
1 with acoustic indicator
(right).



24056



24667



24057

Apply for:

Infinitt FX
Nissan Maxima
Nissan Murano

Closed off-Road	01.03-12.08
Estate	10.97-
Closed off-Road	08.03-

SR0398.01

**Dimension
(mm)**

160×62.5
170.18×62.6

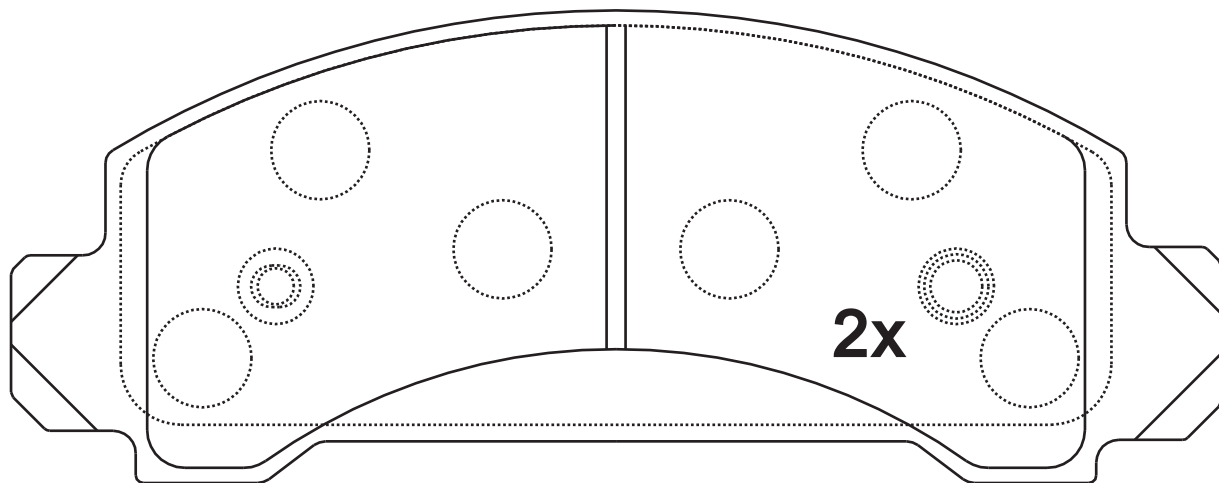
**Thickness
(mm)**

15.7

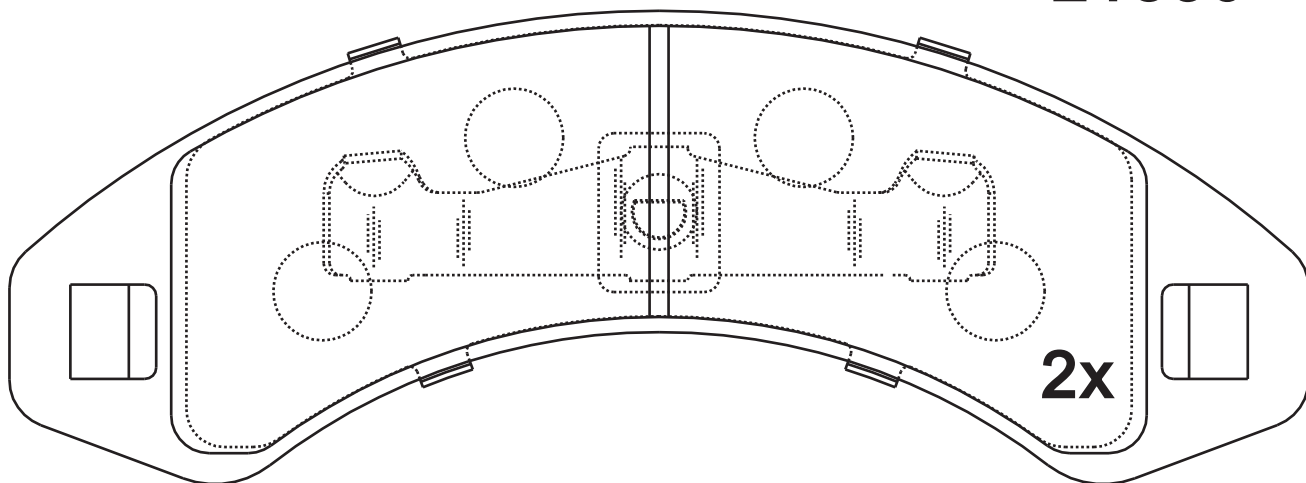


NOTE

2 identical; 2 identical;



21830



21831



Apply for:

Ford Explorer
Ford Ranger

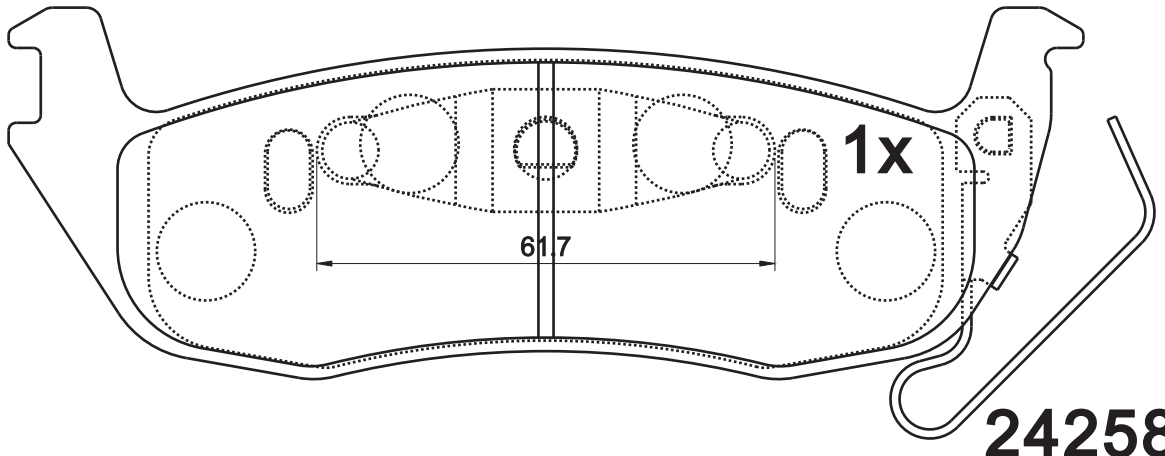
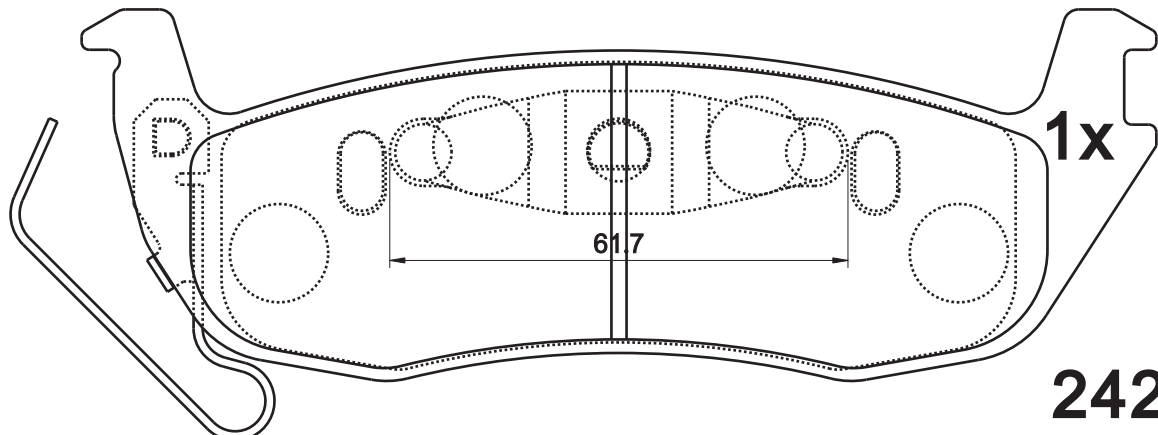
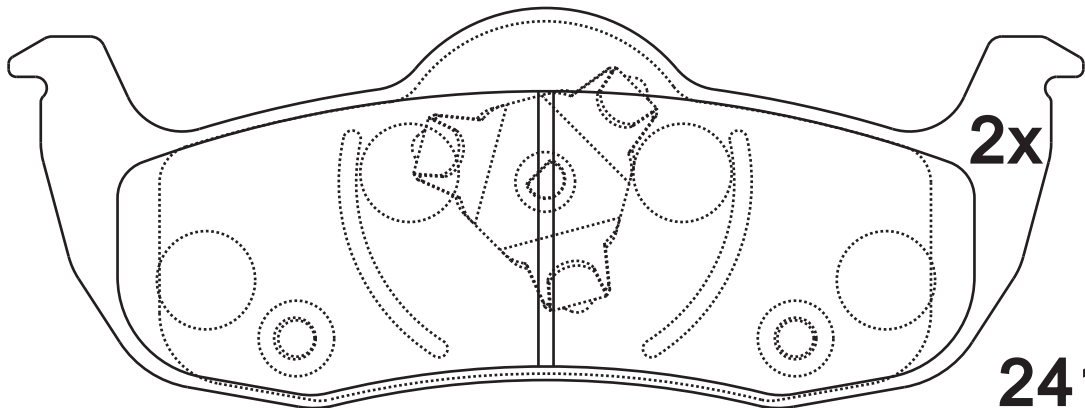
Closed off-Road
Pick up

01.93-
10.90-12.98

SR0399.01

Dimension (mm)	Thickness (mm)	
142.2×49.3/52.9	18	

NOTE
2 Identical with spring;
2 identical 1 with
acoustic indicator(left),
1 with acoustic indicator
(right) .

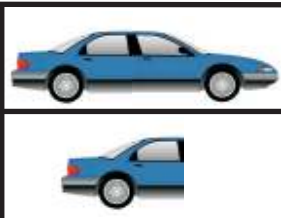


Apply for:

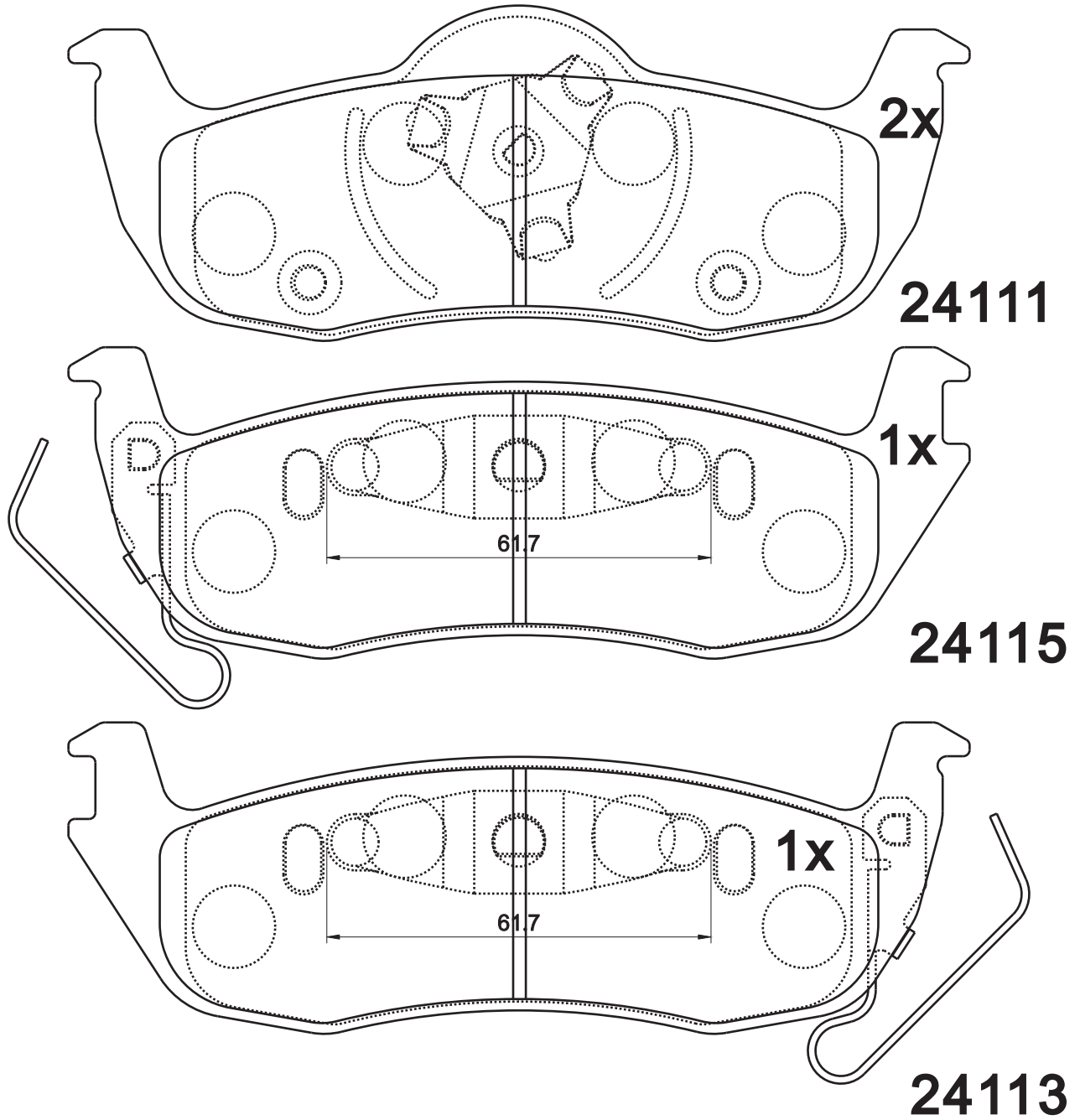
- | | | |
|------------------------|-----------------|-------------|
| Jeep Commander | Closed off-Road | 09.05-12.10 |
| Jeep Gand Cherokee III | Closed off-Road | 06.05-12.10 |

SR0399.02

Dimension (mm)	Thickness (mm)
142.2×49.3/52.9	18



NOTE
2 Identical with spring;
2 identical 1 with
acoustic indicator(left),
1 with acoustic indicator
(right) .



Apply for:

- | | | |
|------------------------|-----------------|-------------|
| Jeep Commander | Closed off-Road | 09.05-12.10 |
| Jeep Gand Cherokee III | Closed off-Road | 06.05-12.10 |

SR0400.01**Dimension
(mm)**

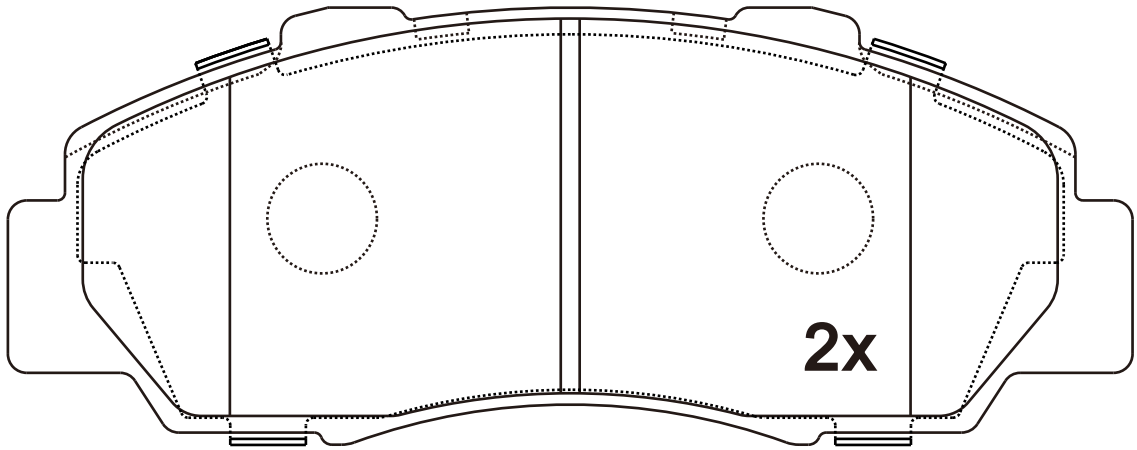
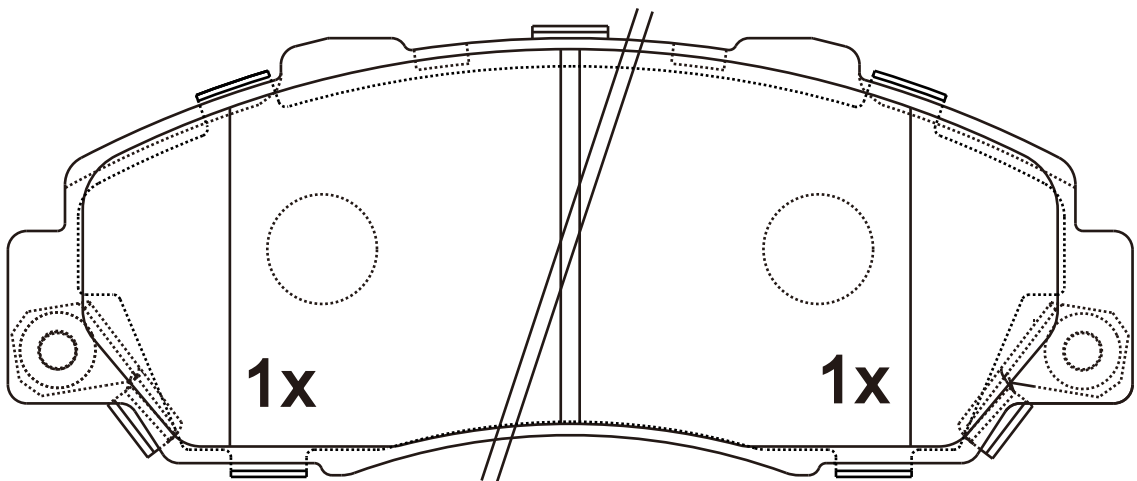
148.7×57.8

**Thickness
(mm)**

17.5

**NOTE**

4 identical, 1 with acoustic indicator(left), 1 with acoustic indicator(right).

**21651****21652****21653****Apply for:**

Honda Accord VI	Saloon	10.98-12.02
Honda Civic VI	Hatchback	11.98-10.00
Honda CR-VI	Closed off-Road	10.95-02.02
Honda HR-VI	Closed off-Road	03.99-
Honda Integra	Coupe	02.02-
Honda Legend II	Coupe	01.91-02.96
Honda Legend III	Saloon	02.96-
Honda NSX	Coupe	06.90-09.05
Honda Prelude IV	Coupe	02.93-09.96
Honda Prelude V	Coupe	10.96-10.00

SR0401.01

**Dimension
(mm)**

138.6×48.6

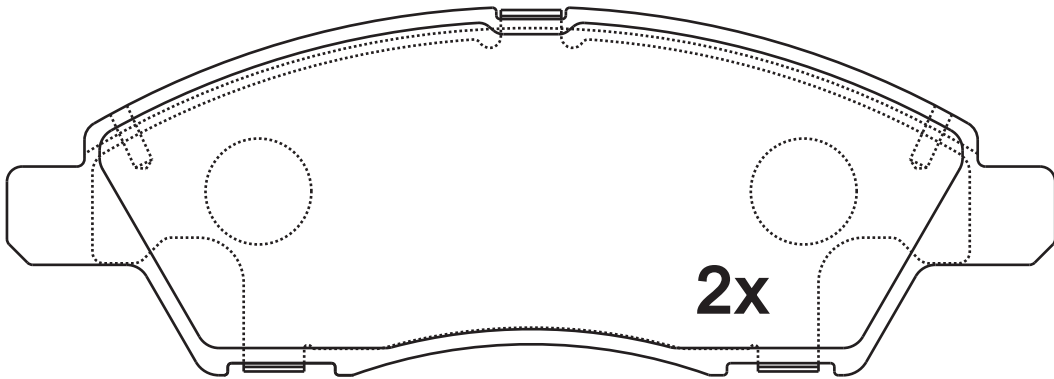
**Thickness
(mm)**

14.5

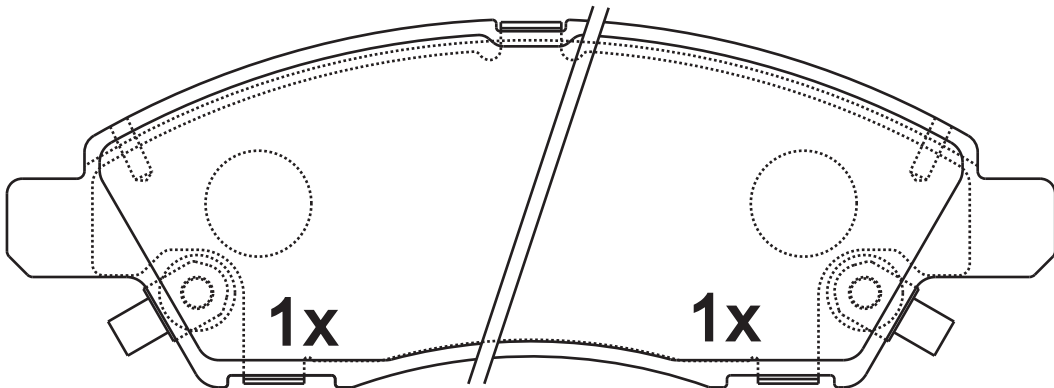


NOTE

4 identical, 1 with acoustic indicator(left), 1 with acoustic indicator(right).



24724



24725

24726

Apply for:

Nissan Bluebird Sylphy	Saloon	01.07-
Nissan Livina	Hatchback	04.07-
Nissan Tiida Qida	Hatchback	07.05-
Nissan Tiida Yida	Saloon	04.05-
Nissan Tiida	Hatchback	05.11-

SR0402.01**Dimension
(mm)**

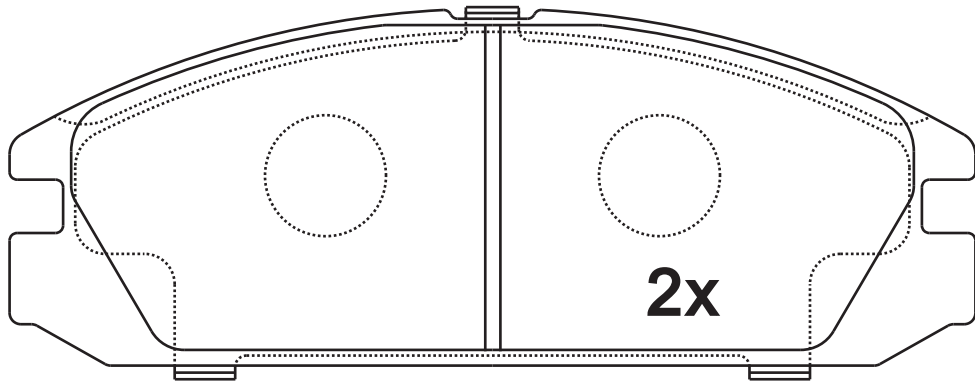
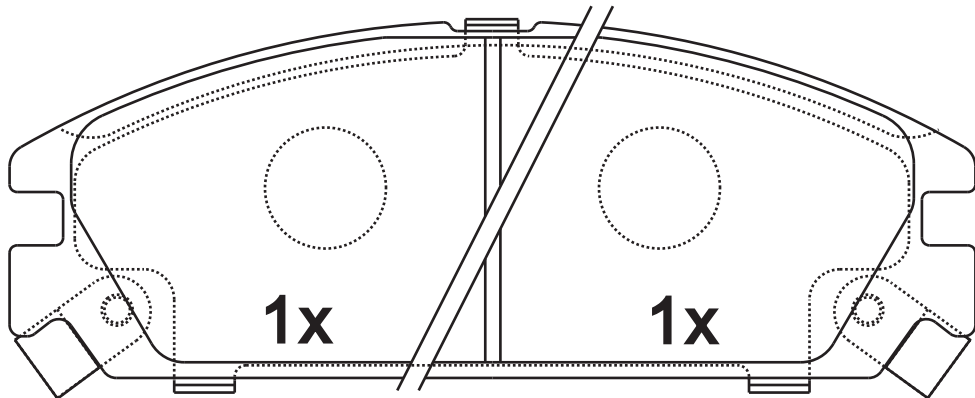
127.7×48.7

**Thickness
(mm)**

15

**NOTE**

4 identical, 1 with acoustic indicator(left), 1 with acoustic indicator(right).

**20099****20104****20105****Apply for:**

Honda Accord III

Saloon

11.85-12.89

Honda Accord III

Estate

11.85-12.89

Honda CRX I

Coupe

10.83-10.87

Honda Integra

Hatchback

10.85-08.93

SR0403.01

**Dimension
(mm)**

188×55.7

**Thickness
(mm)**

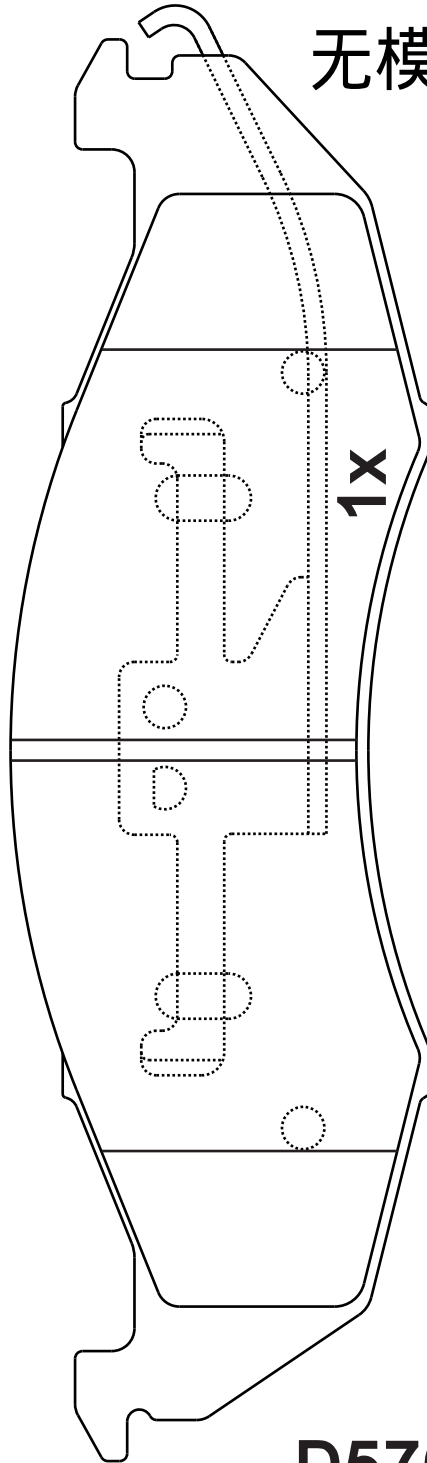
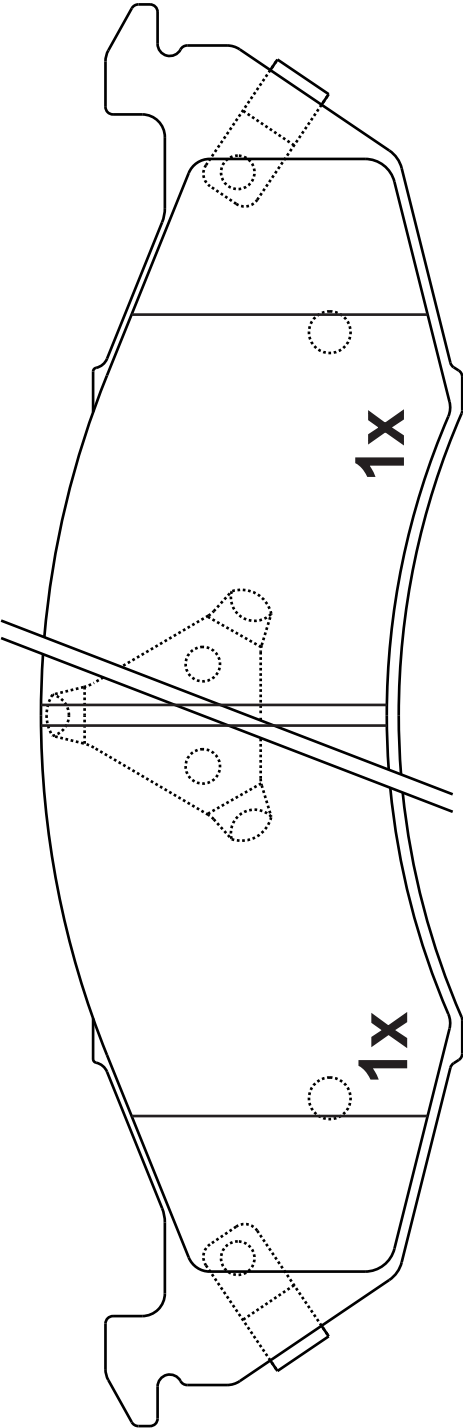
16.5



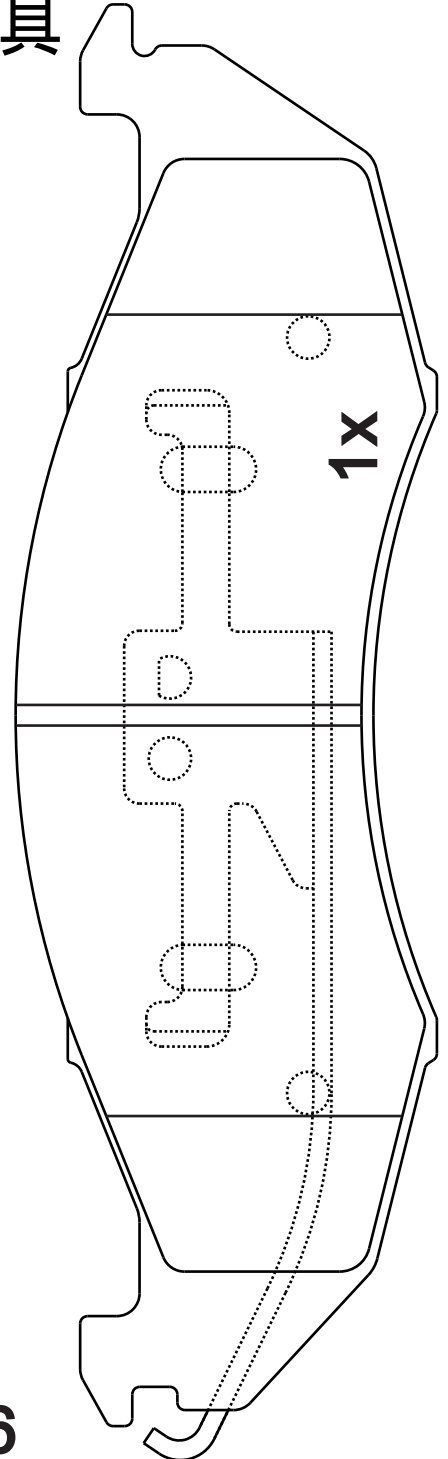
NOTE

2 identical, 1 with acoustic indicator(left), 1 with acoustic indicator(right); 1 with warn indicator(right), 1 with warn indicator(left).

无模具



D576



Apply for:

Nissan Quest

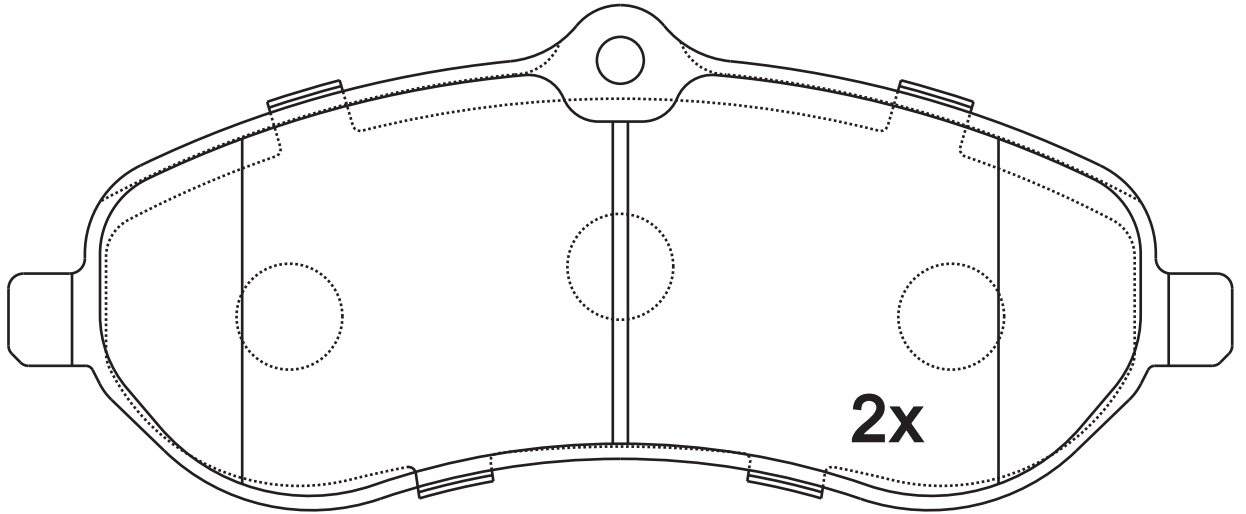
Saloon

1993-2002

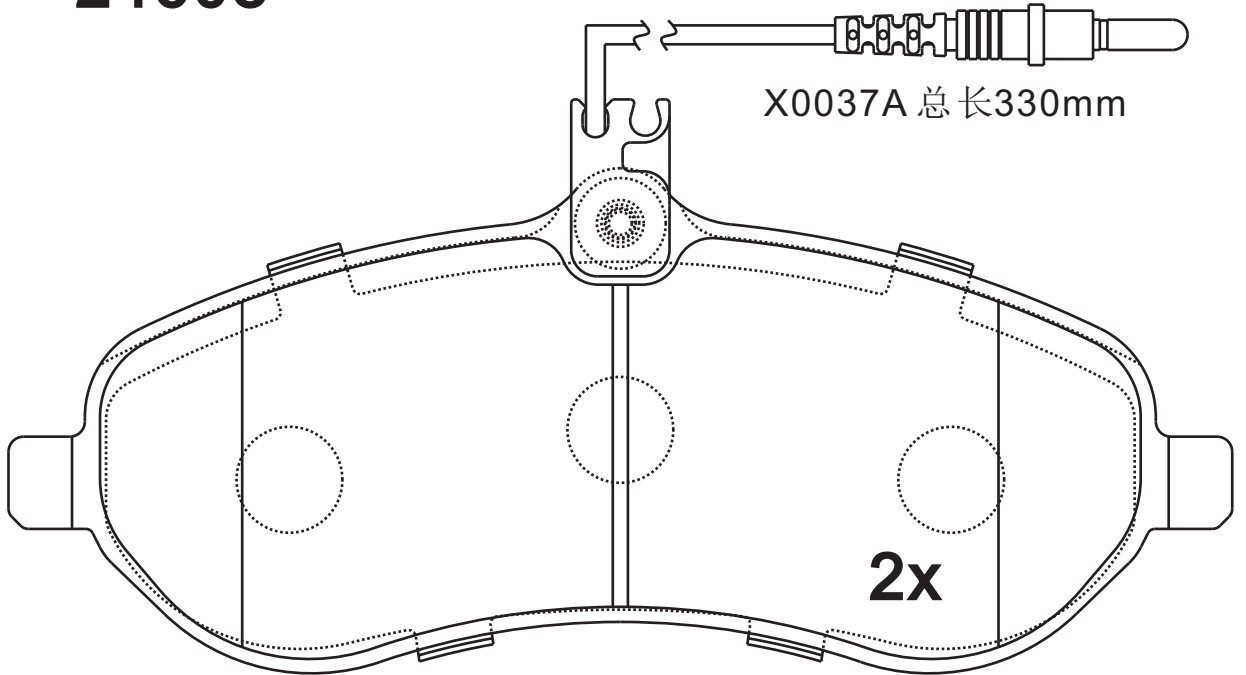
SR0404.01

Dimension (mm)	Thickness (mm)	
161.8×66.8	18.5	

NOTE
2 identical; 2 identical with warn indicator: 300mm.



24608





24595

Apply for:

Peugeot Expert
Peugeot Expert

MPV
Box

01.07-
01.07-

SR0404.02	Dimension (mm)	Thickness (mm)		NOTE 2 identical;2 identical with warn indicator: 300mm.
	161.8×66.8	18.5		



取消 SR0404. 02=SR0404. 01=FJB0025. 01

Apply for:

Peugeot Expert	MPV	01.07-
Peugeot Expert	Box	01.07-

SR0404.03

**Dimension
(mm)**

161.8×66.8

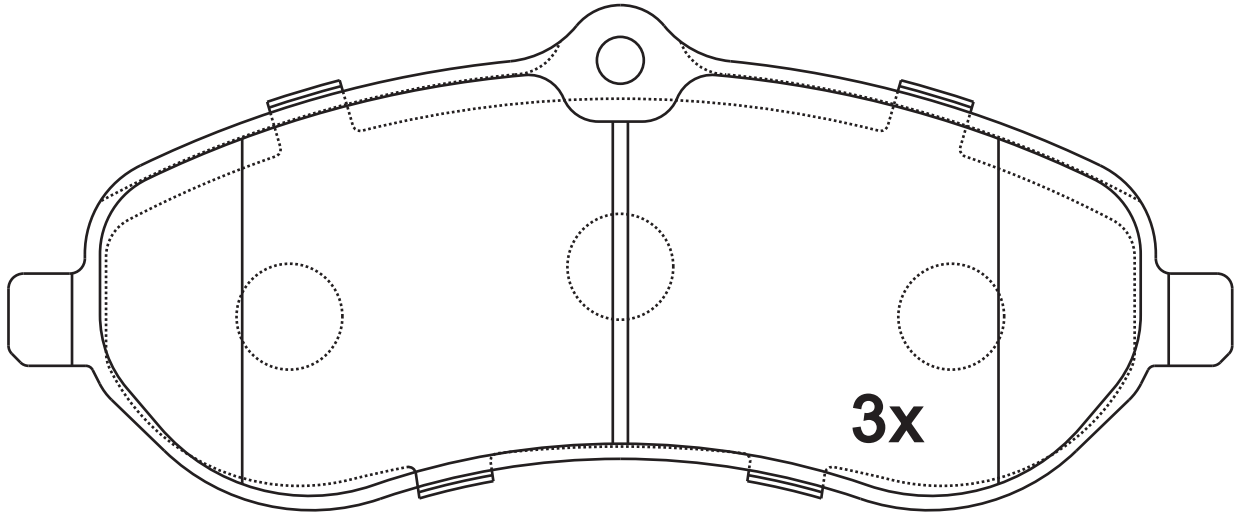
**Thickness
(mm)**

18.5

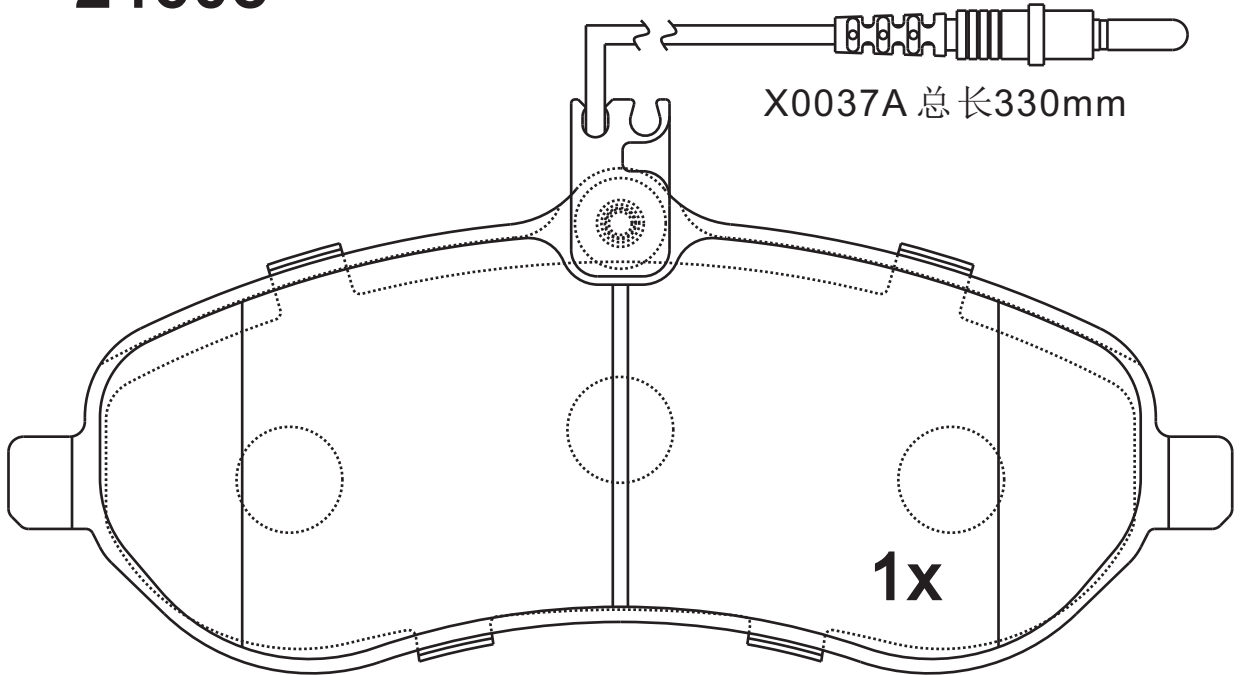


NOTE

**2 identical; 2 identical
with warn indicator:
300mm.**



24608



24595

Apply for:

Peugeot Expert
Peugeot Expert

MPV
Box

01.07-
01.07-

SR0404

**Dimension
(mm)**

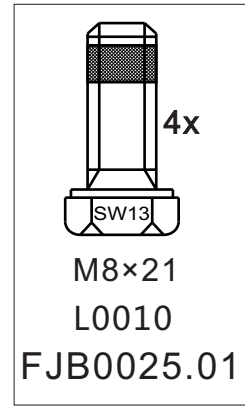
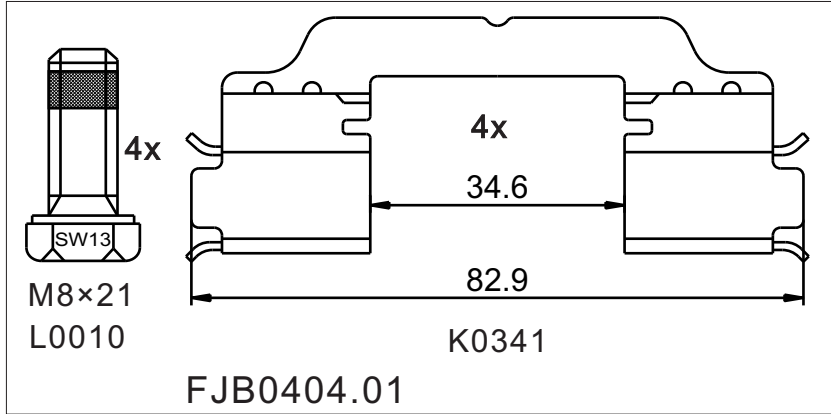
**Thickness
(mm)**





NOTE

附件包

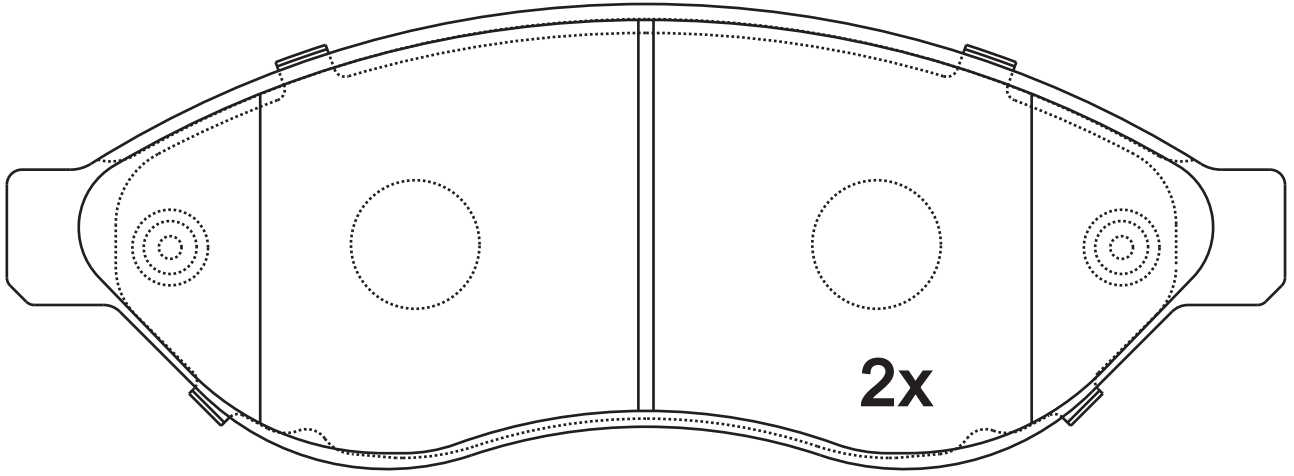
Accessory kit



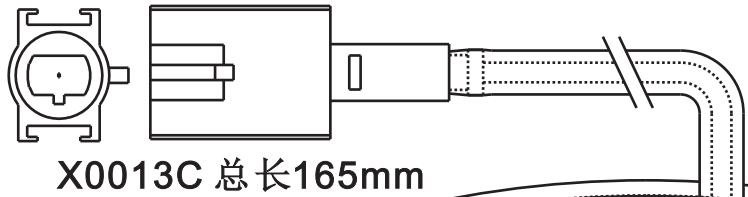
SR0405.01

Dimension (mm)	Thickness (mm)	
169×61.5	19.1	

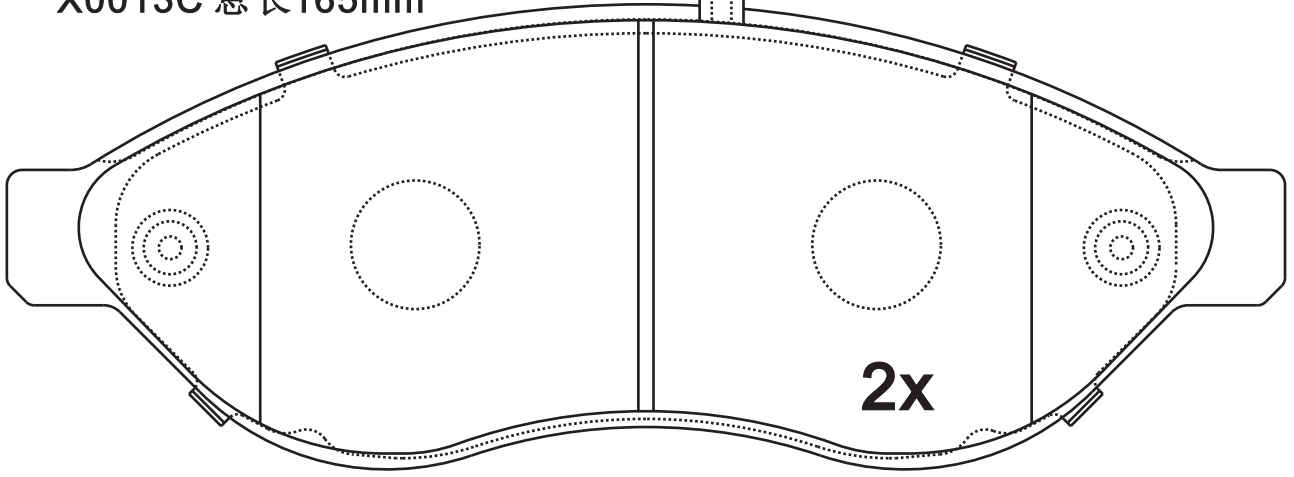
NOTE
2 identical; 2 identical with warn indicator: 155mm.



24468



X0013C 总长165mm



24469

Apply for:

Citroen Jumper	Box	04.06-
Citroen Jumper	Bus	04.06-
Citroen Jumper	Platform	04.06-
Fiat Ducato	Box	07.06-
Fiat Ducato	Bus	07.06-
Fiat Ducato	Platform	07.06-
Peugeot Boxer	Box	04.06-
Peugeot Boxer	Bus	04.06-
Peugeot Boxer	Platform	04.06-

SR0405.02**Dimension
(mm)****Thickness
(mm)****NOTE****2 identical;2 identical
with warn indicator:
155mm.**

169×61.5

19.1



取消 SR0405. 02=SR0405. 01+FJB0405. 02

Apply for:

Citroen Jumper	Box	04.06-
Citroen Jumper	Bus	04.06-
Citroen Jumper	Platform	04.06-
Fiat Ducato	Box	07.06-
Fiat Ducato	Bus	07.06-
Fiat Ducato	Platform	07.06-
Peugeot Boxer	Box	04.06-
Peugeot Boxer	Bus	04.06-
Peugeot Boxer	Platform	04.06-

SR0405.03

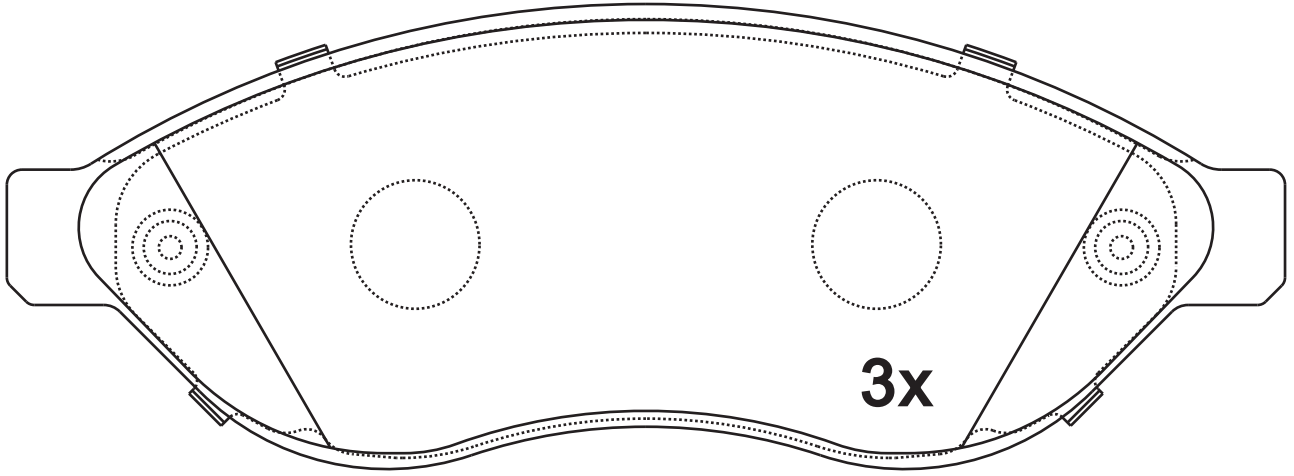
**Dimension
(mm)**

169×61.5

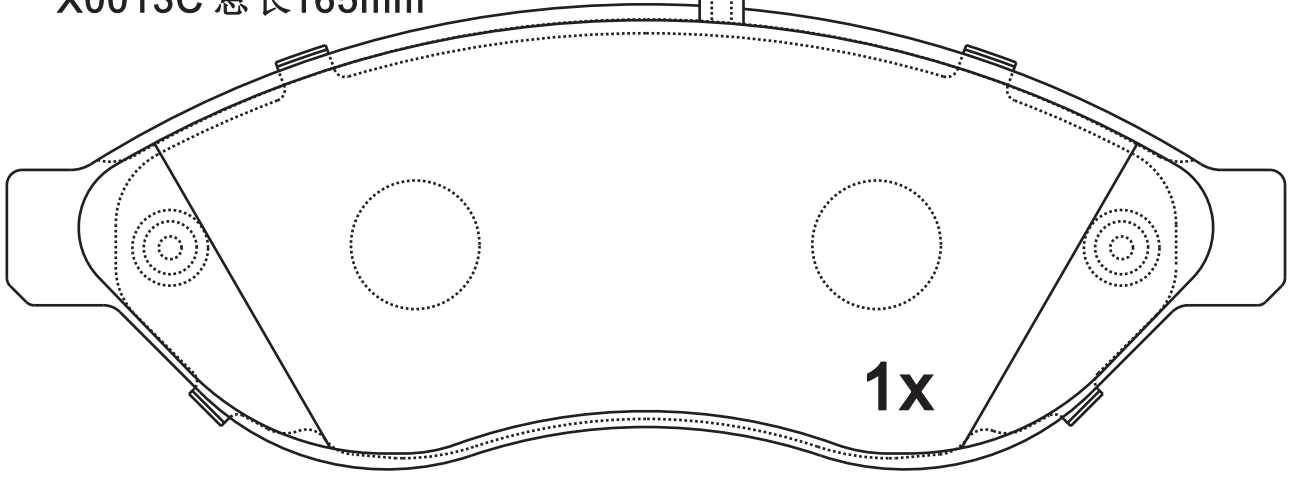
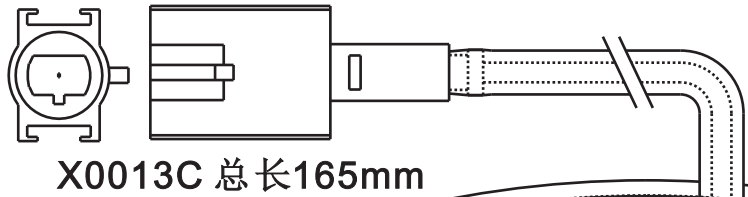
**Thickness
(mm)**



NOTE
2 identical;2 identical
with warn indicator:
155mm.



24468



24469

Apply for:

Citroen Jumper	Box	04.06-
Citroen Jumper	Bus	04.06-
Citroen Jumper	Platform	04.06-
Fiat Ducato	Box	07.06-
Fiat Ducato	Bus	07.06-
Fiat Ducato	Platform	07.06-
Peugeot Boxer	Box	04.06-
Peugeot Boxer	Bus	04.06-
Peugeot Boxer	Platform	04.06-

SR0405

**Dimension
(mm)**

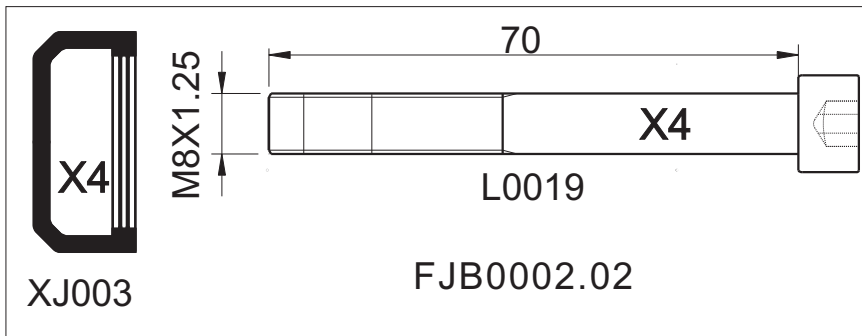
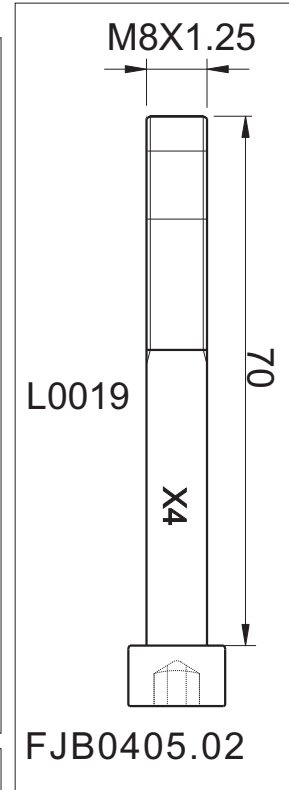
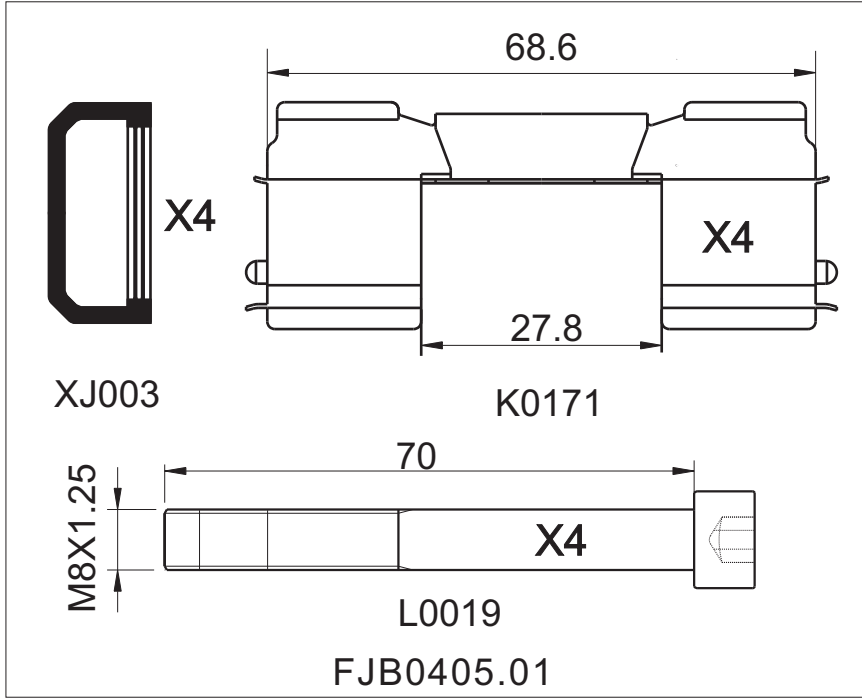
**Thickness
(mm)**





NOTE

附件包

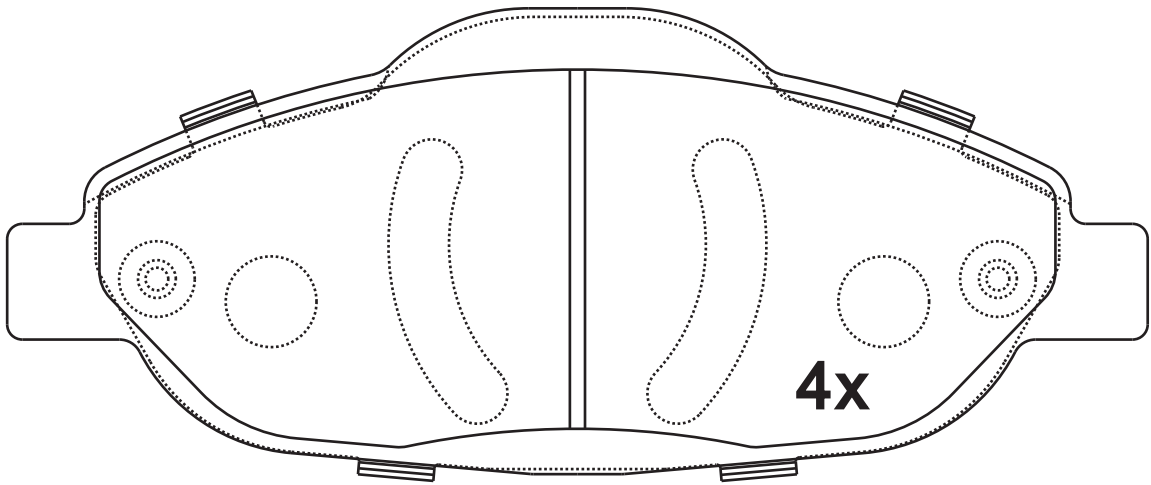
Accessory bag



SR0406.01

Dimension (mm)	Thickness (mm)	
150.8×61.6	17.8	



NOTE
4 identical;



24660

Apply for:

Peugeot 308	Hatchback	09.07-
Peugeot 308	Estate	09.07-
Peugeot 308	Convertible	06.09-
Peugeot 308	MPV	06.09-

SR0406.02	Dimension (mm)	Thickness (mm)		NOTE
	150.8×61.6	17.8		4 identical;



取消 SR0406. 02=SR0406. 01+FJB0621. 01

SR0406

**Dimension
(mm)**

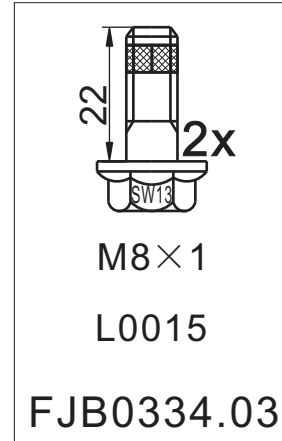
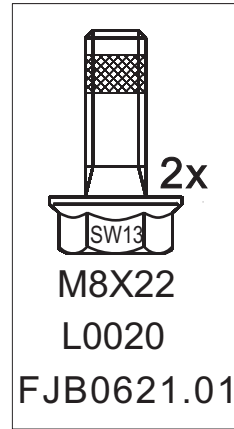
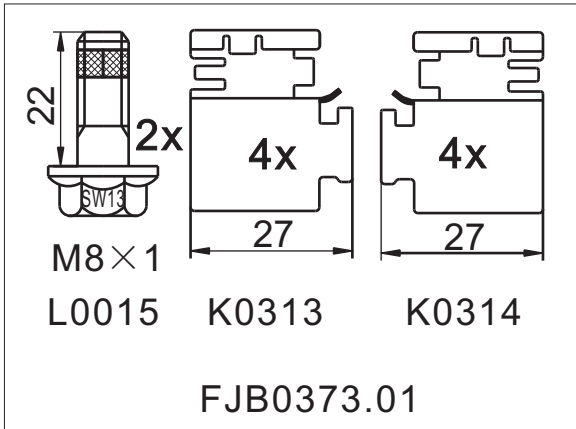
**Thickness
(mm)**



NOTE

附件包

Accessory bag



SR0407.01

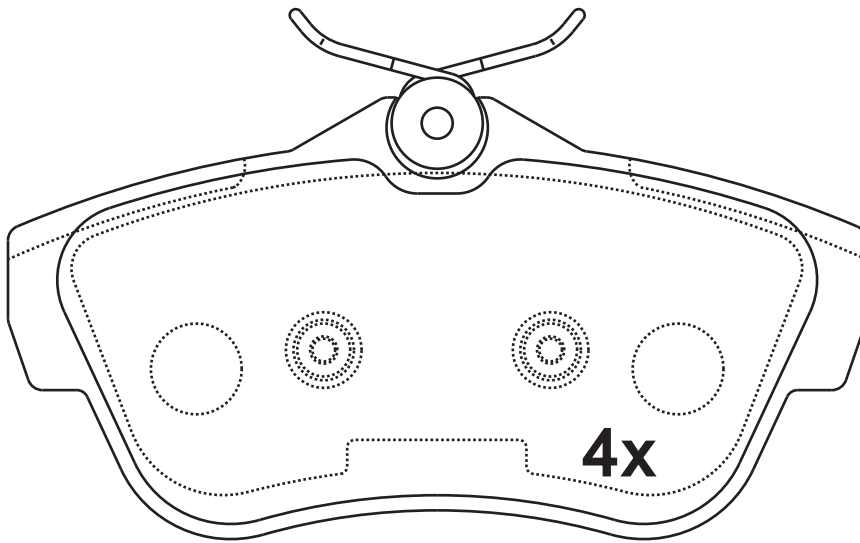
**Dimension
(mm)**

**Thickness
(mm)**



NOTE

4 identical;





24578

Apply for:

Peugeot Expert
Peugeot Expert

MPV
Box

01.07-
01.07-

SR0407.02	Dimension (mm)	Thickness (mm)		NOTE 4 identical;
	113.5×58.4	16.5		

取消 SR0407.02=SR0407.01+FJB0025.01

Apply for:

Peugeot Expert	MPV	01.07-
Peugeot Expert	Box	01.07-

SR0407

**Dimension
(mm)**

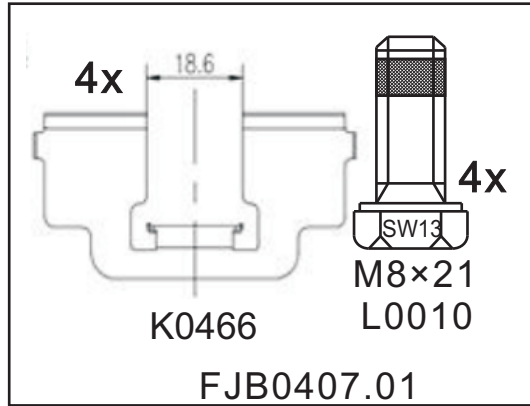
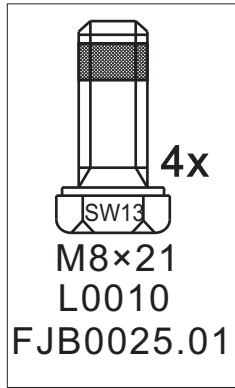
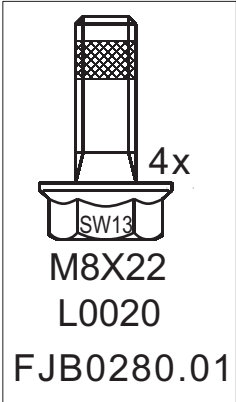
**Thickness
(mm)**



NOTE

附件包

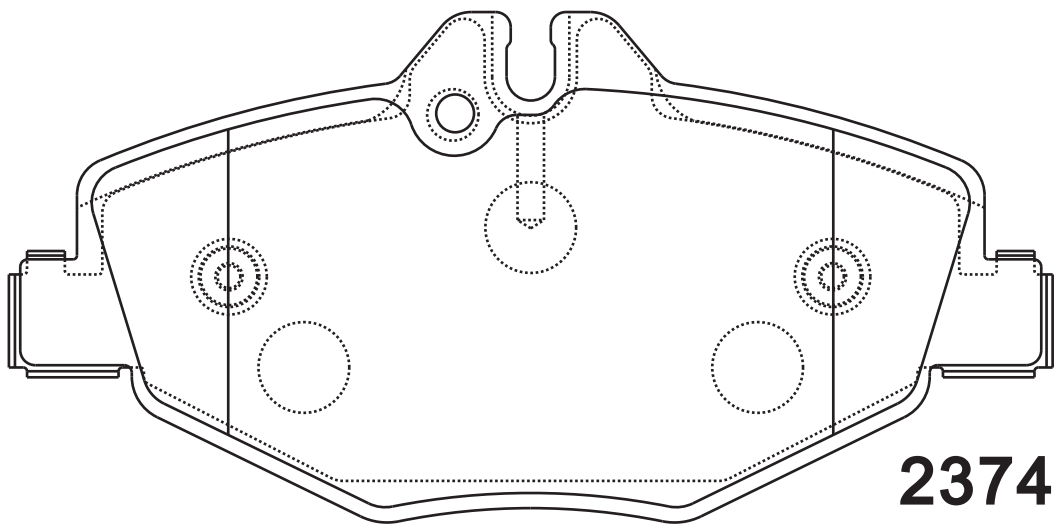
Accessory bag



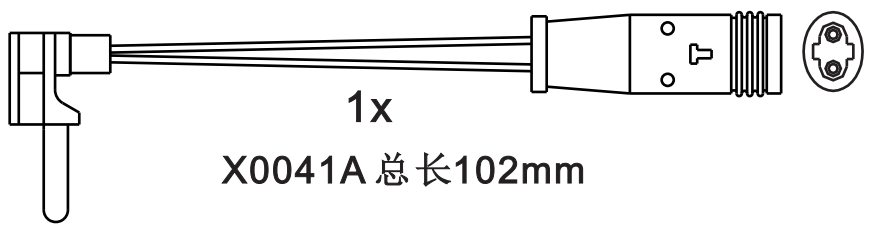
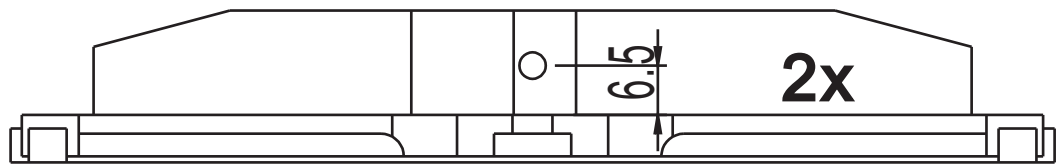
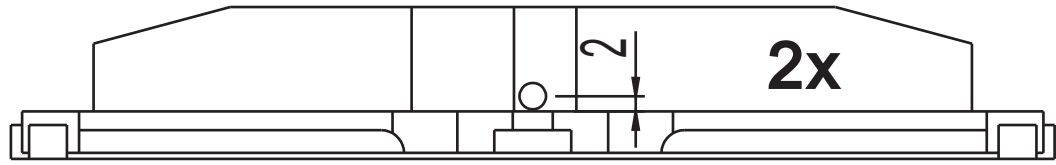
SR0408.01

Dimension (mm)	Thickness (mm)	
135×67.5	20.1	

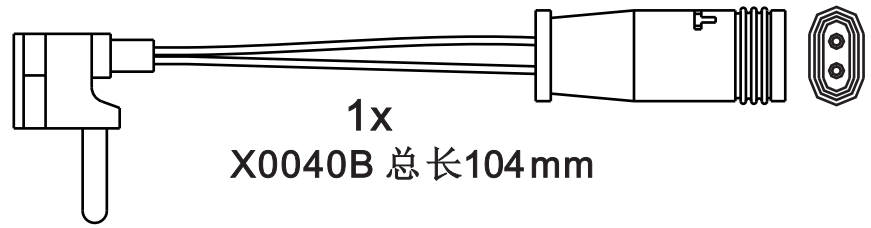
NOTE
4 identical;



23743



1x
X0041A 总长102mm




1x
X0040B 总长104mm

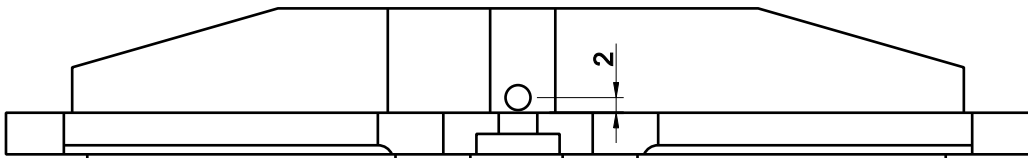
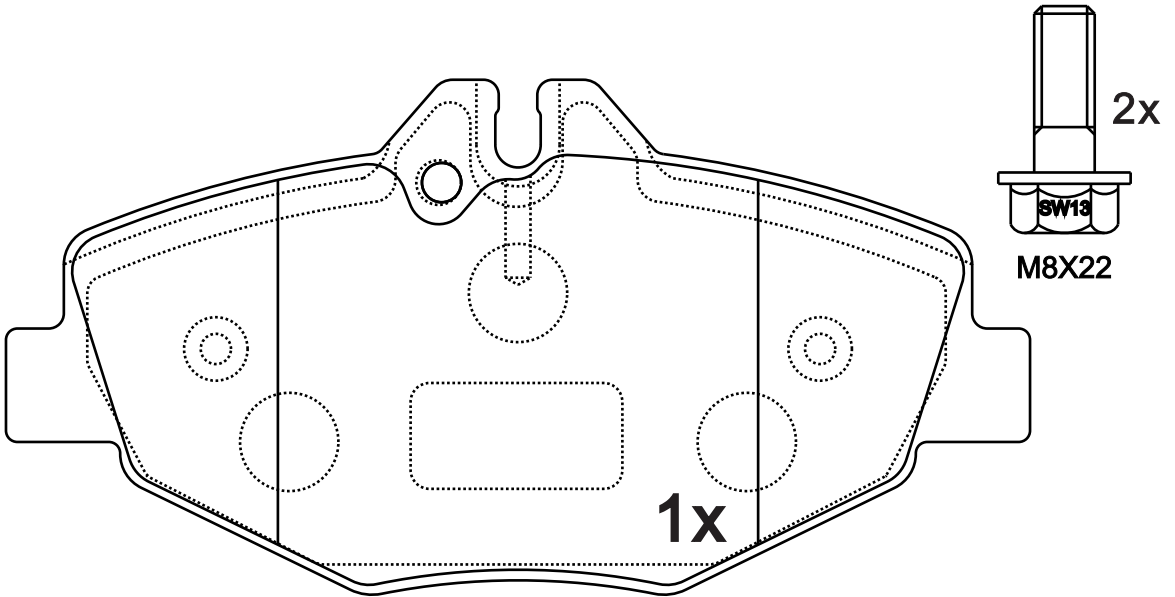
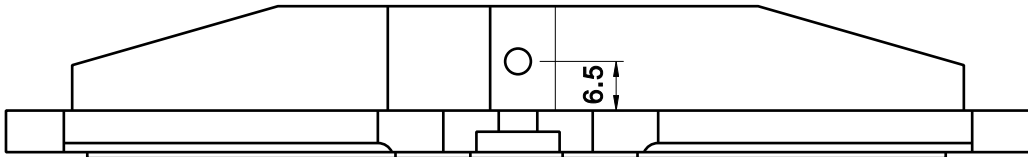
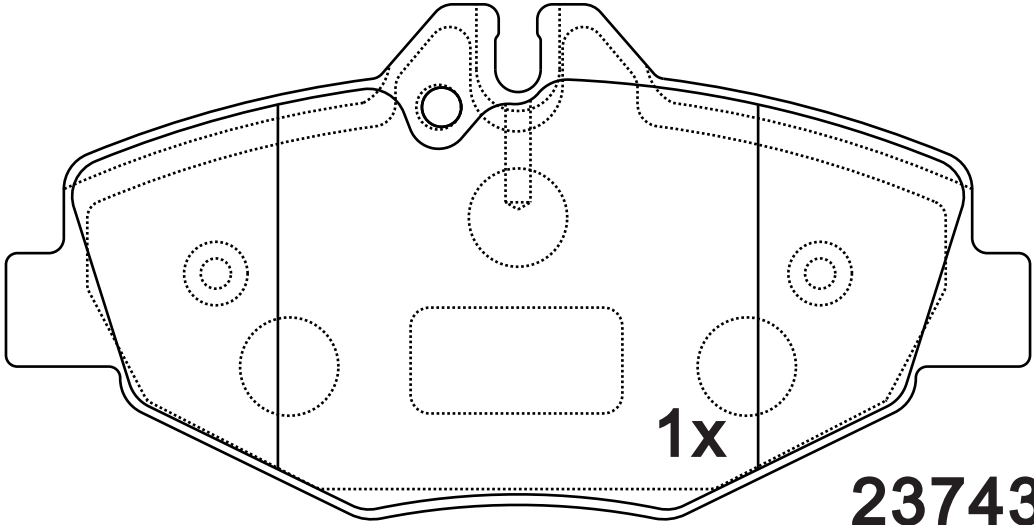
Apply for:

Mercedes E-class	Saloon	03.02-12.08
Mercedes E-class T-model	Estate	03.03-07.09

SR0408.02

Dimension (mm)	Thickness (mm)	
135.4×68.1	20.1	

NOTE
2 identical, one with warn indicator; 2 identical, one with warn indicator.

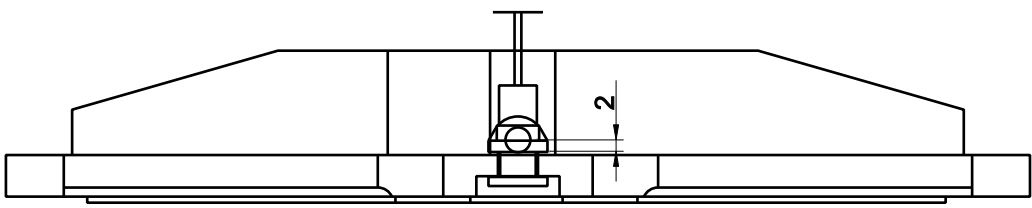
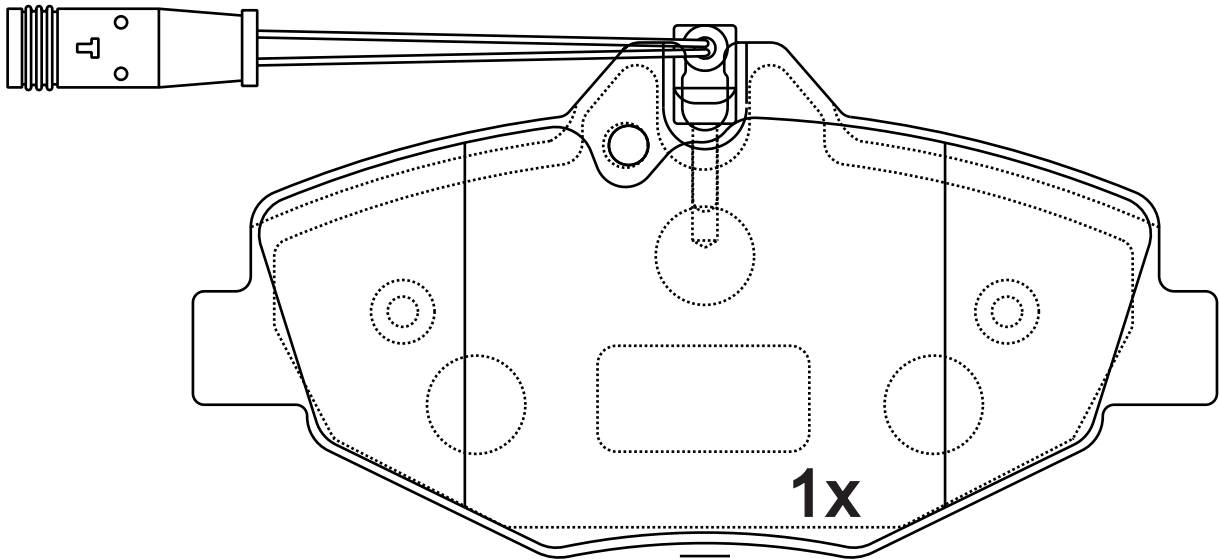
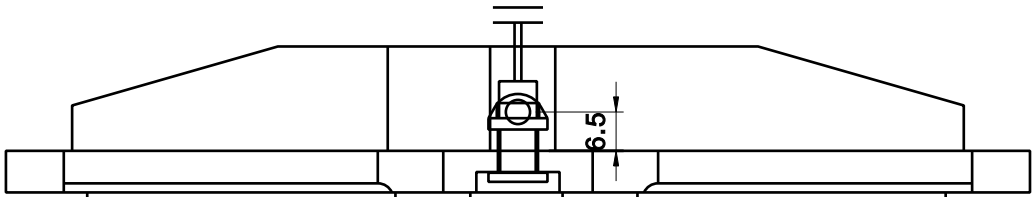
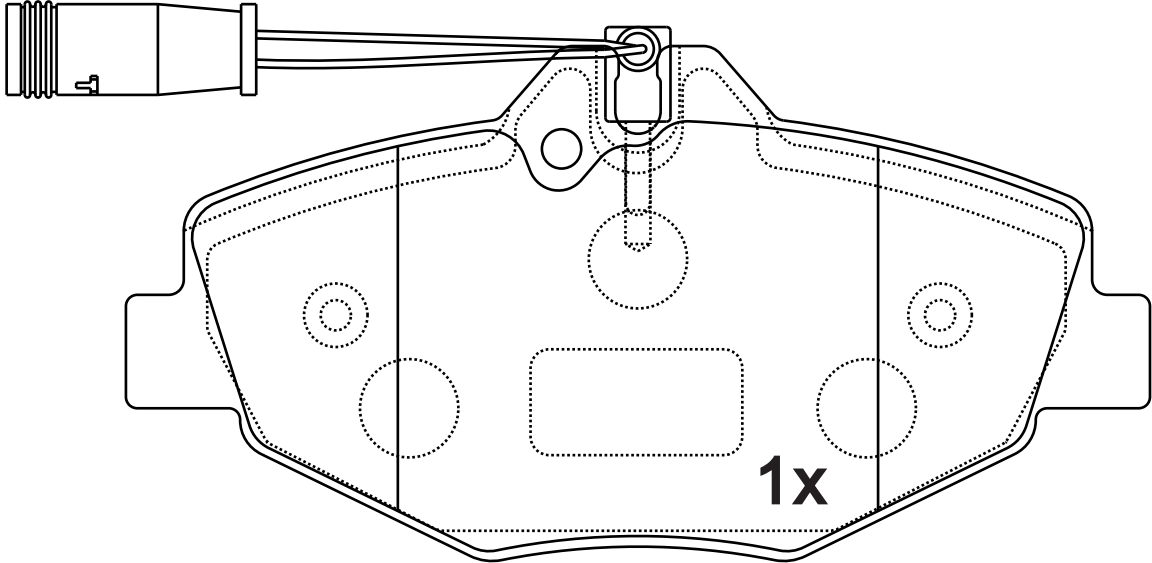


.....Next Page

SR0408.02

Dimension (mm)	Thickness (mm)	
135.4×68.1	20.1	

NOTE
2 identical, one with warn indicator;2 identical, one with warn indicator.



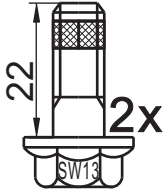
Apply for:

Mercedes E-class	Saloon	03.02-12.08
Mercedes E-class T-model	Estate	03.03-07.09

SR0408.01

Dimension (mm)	Thickness (mm)	
135.4×68.1	20.1	

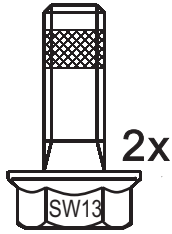
NOTE
4 identical;



M8×1

L0015

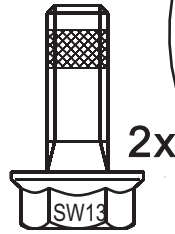
FJB0334.03



M8X22

L0020

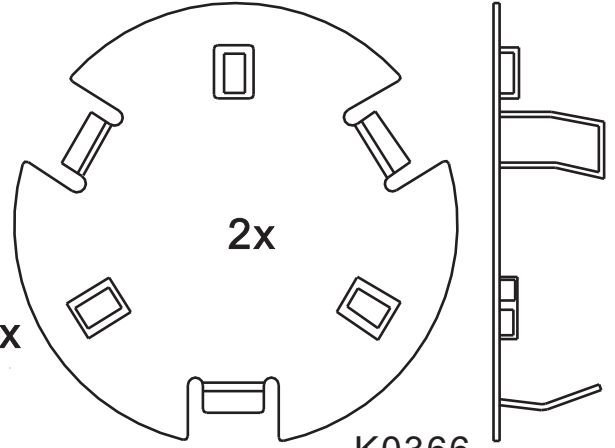
FJB0621.01



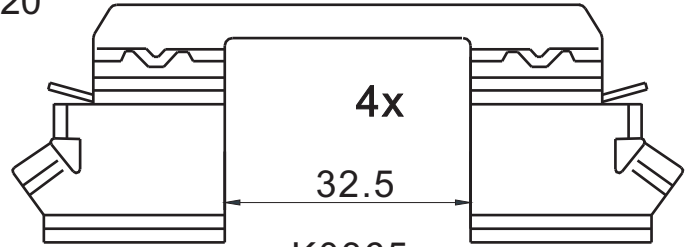
M8X22

L0020

FJB0408.01



K0366

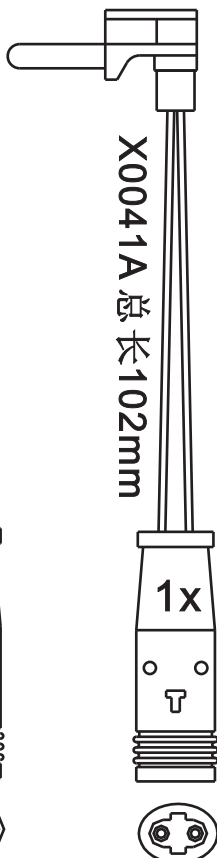


K0365



X0040B 总长104mm

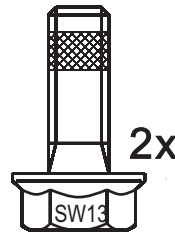
1x



X0041A 总长102mm

1x

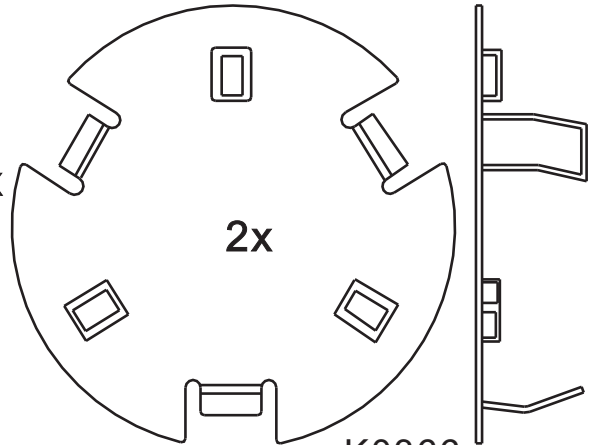
FJB1X0041A1X0040B



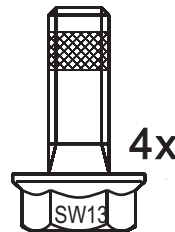
M8X22

L0020

FJB0408.02



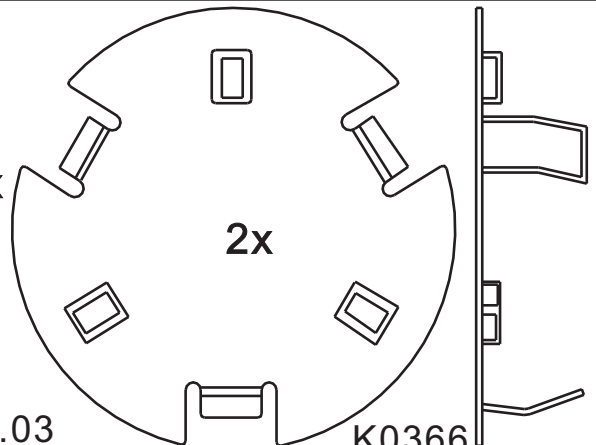
K0366



M8X22

L0020

FJB0408.03



K0366

SR0409.01

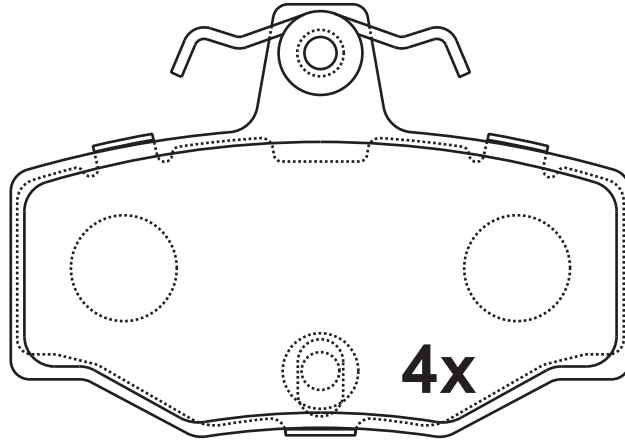
**Dimension
(mm)**

**Thickness
(mm)**



NOTE

4 identical;



21545

Apply for:

Nissan Almera II
Nissan Almera II
Nissan Primera

Hatchback
Saloon
Saloon

01.00-
07.00-
06.90-06.96

SR0409

**Dimension
(mm)**

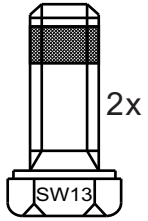
**Thickness
(mm)**



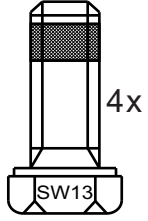
NOTE

附件包

Accessory kit



M8×21
L0010
FJB0003.01

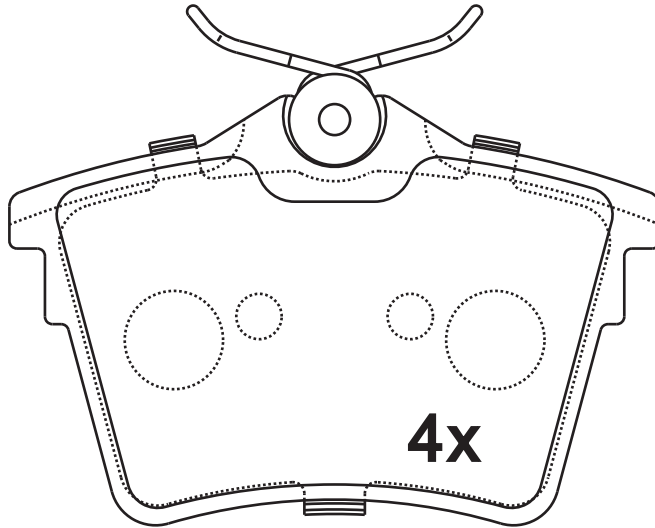


M8×21
L0010
FJB0025.01

SR0410.01

Dimension (mm)	Thickness (mm)	
86×56.8	17.7	

NOTE
4 identical;



24135

Apply for:

Citroen C5 III	Saloon	02.08-
Citroen C5 III	Estate	02.08-
Peugeot 407	Saloon	05.04-
Peugeot 407	Estate	05.04-
Peugeot 407	Coupe	10.05-
Peugeot 607	Saloon	02.00-

SR0410

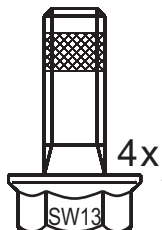
**Dimension
(mm)**

**Thickness
(mm)**

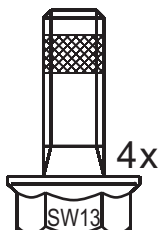


NOTE

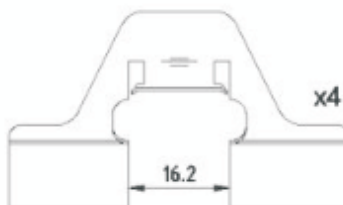
**附件包
Accessory bag**



M8X22
L0020
FJB0280.01



M8X22
L0020

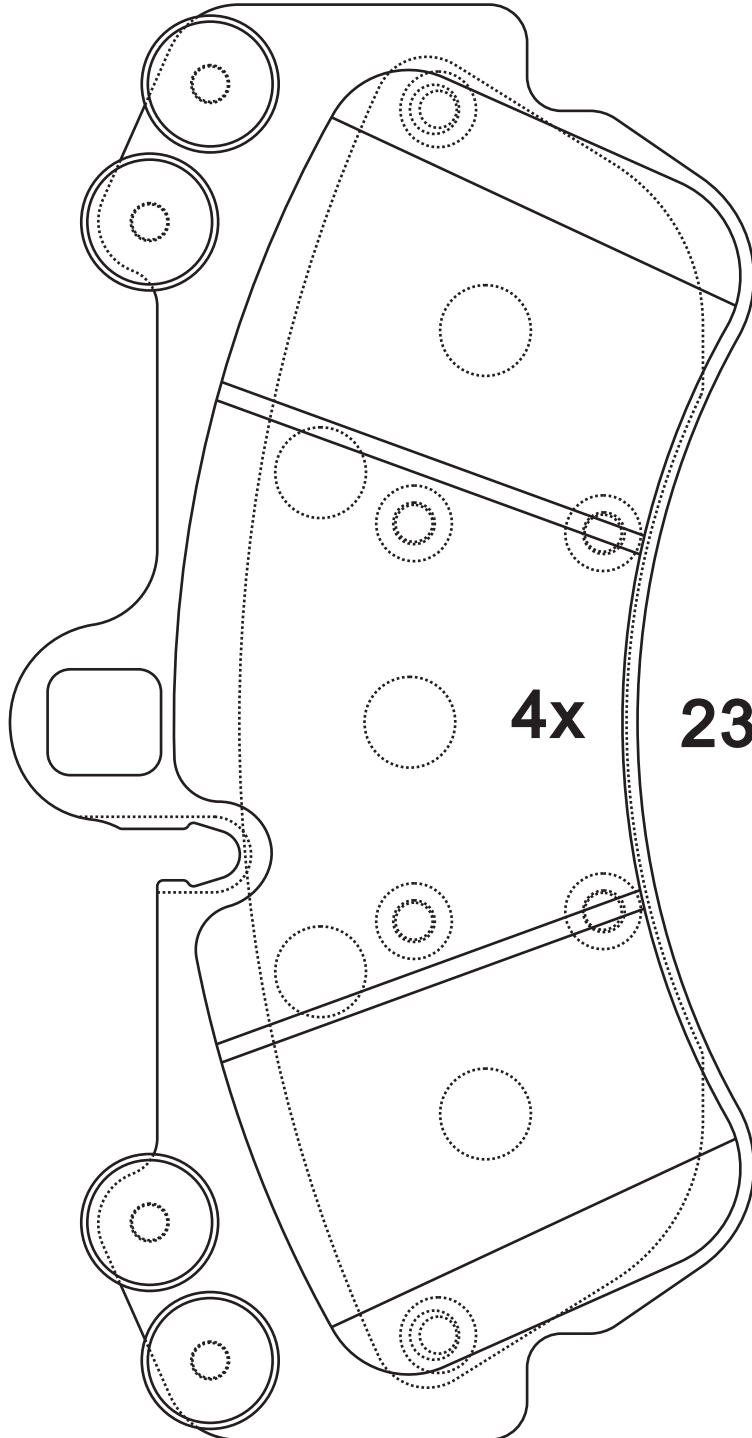


K0353 (取消K0503)
FJB0773.01
(取消FJB0410.01)

SR0411.01

Dimension (mm)	Thickness (mm)	
189.9×98.7	16.6	

NOTE
4 identical;



Apply for:

Porsche Cayenne
Volkswagan Touareg

Closed off-Road
Closed off-Road

09.02-09.10
12.02-11.06

SR0411

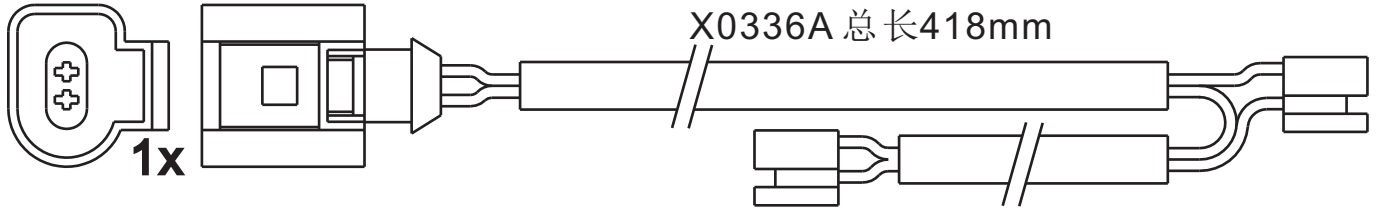
**Dimension
(mm)**

**Thickness
(mm)**



NOTE

**附件包
Accessory bag**



FJB1X0336A

SR0412.01

**Dimension
(mm)**

**Thickness
(mm)**

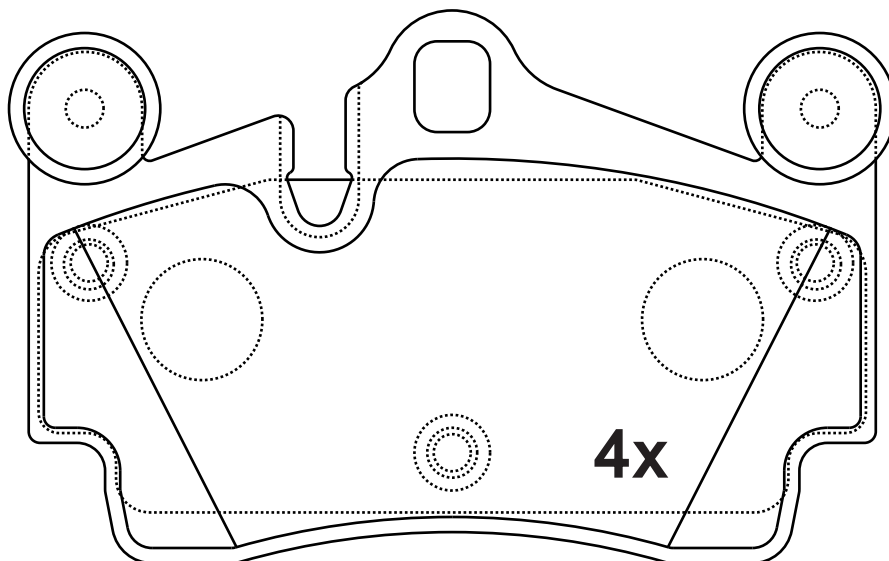


NOTE

4 identical;

112×73.1

16.7



23694

Apply for:

Audi Q7

Closed off-Road

03.06-

Porsche Cayenne

Closed off-Road

09.02-09.10

Volkswagan Touareg

Closed off-Road

12.02-11.06

SR0412.02

**Dimension
(mm)**

**Thickness
(mm)**

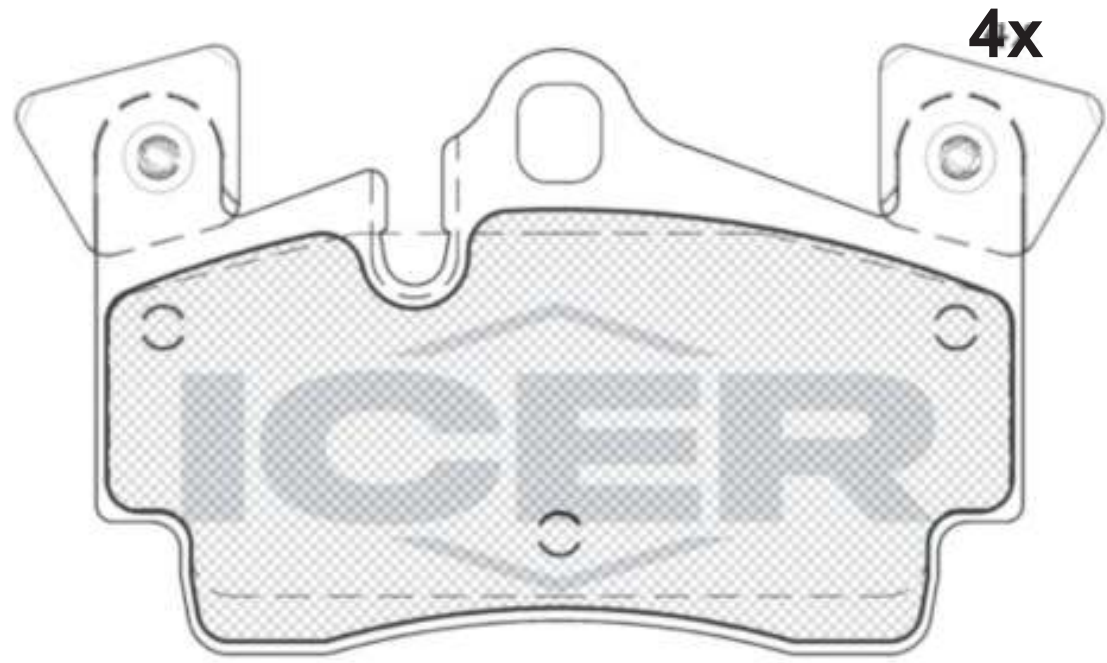


NOTE

4 identical;

112×73.1

16.7



24010

Apply for:

Audi Q7
Porsche Cayenne

2006/03-2016/01
2002/09-2010/09

SR0412

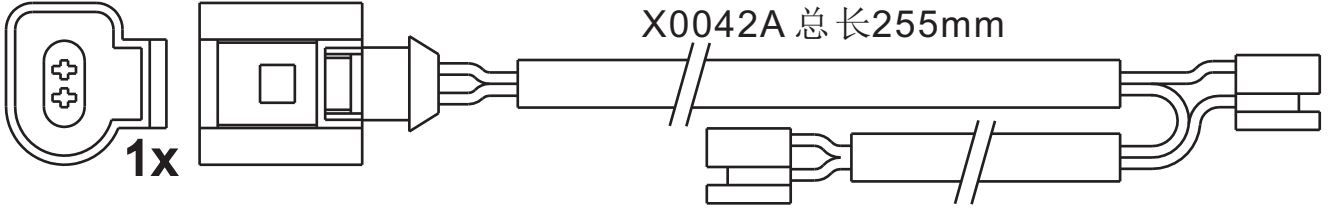
**Dimension
(mm)**

**Thickness
(mm)**

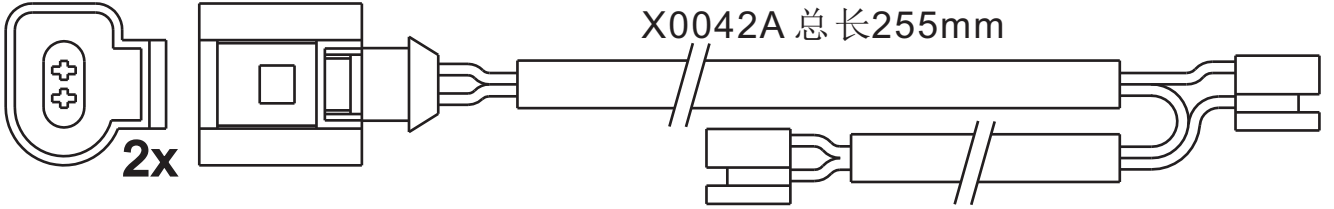


NOTE

**附件包
Accessory bag**



FJB1X0042A



FJB2X0042A

SR0413.01

**Dimension
(mm)**

155.4×51

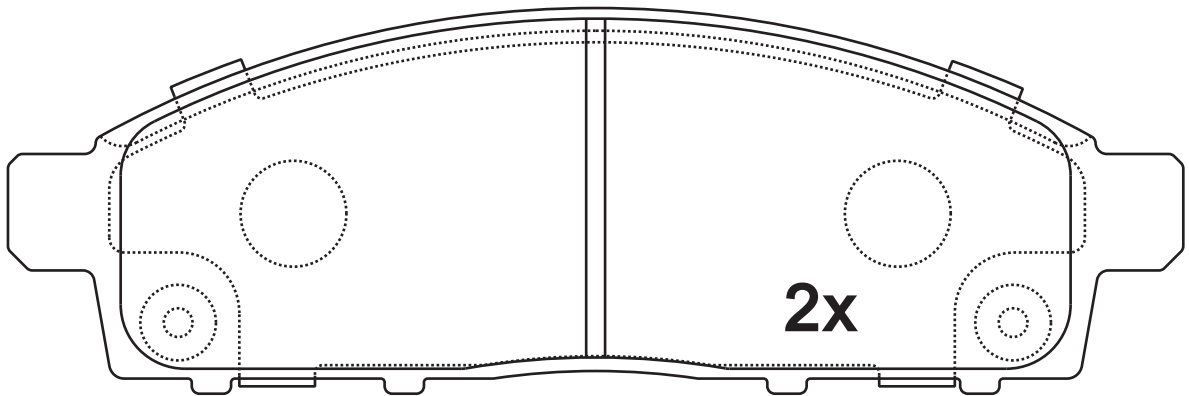
**Thickness
(mm)**

16

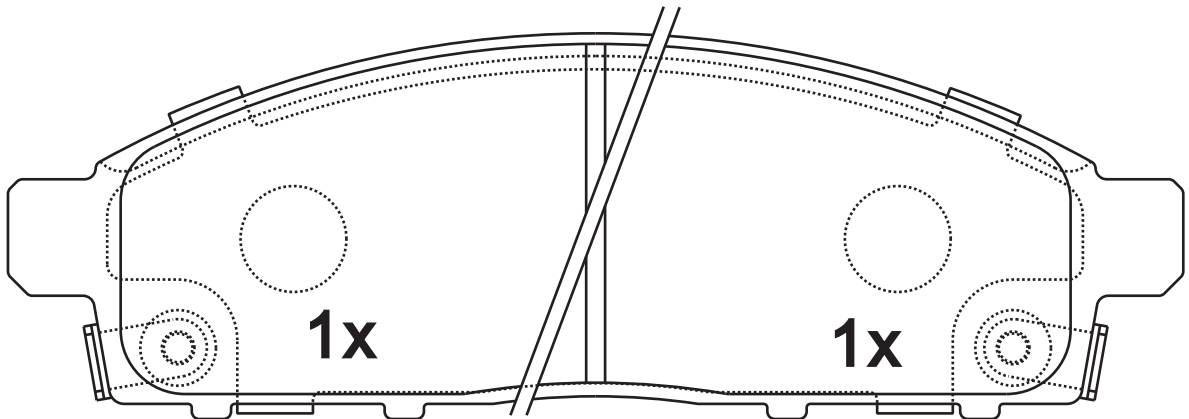


NOTE

**4 identical, 1 with
acoustic indicator (right).**



24529



25004

24530

Apply for:

Mitsubishi L200

Pickup

11.05-

SR0413.02

**Dimension
(mm)**

155.4×51

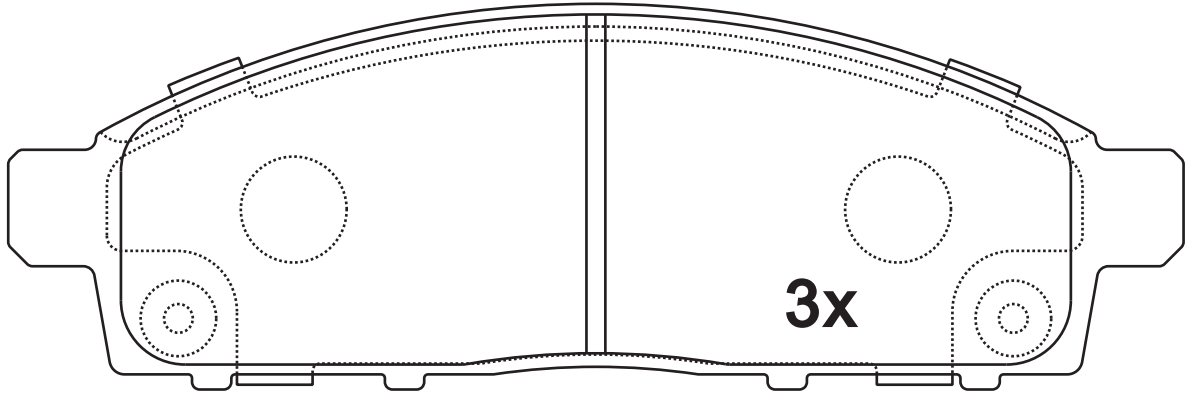
**Thickness
(mm)**

16

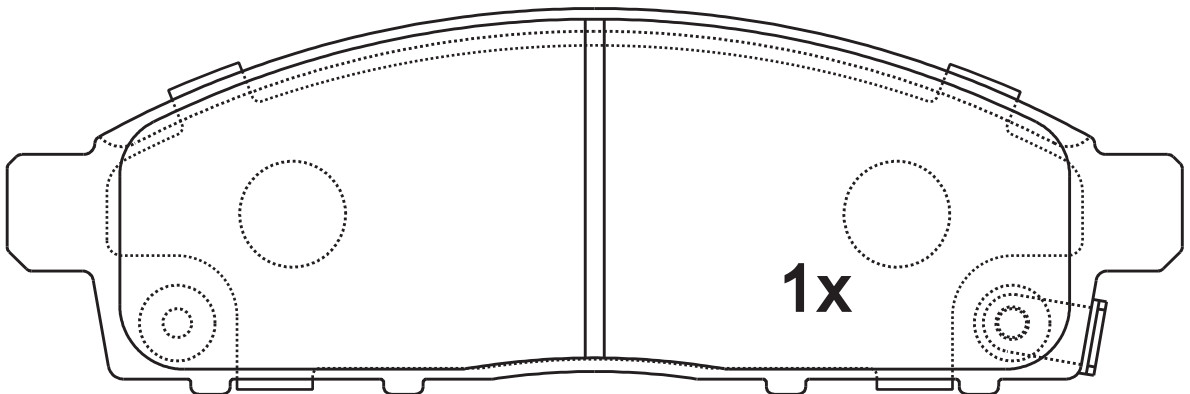


NOTE

**4 identical, 1 with
acoustic indicator (right).**



24529



24530

Apply for:

Mitsubishi L200

Pickup

11.05-

SR0413.03

**Dimension
(mm)**

155.4×51

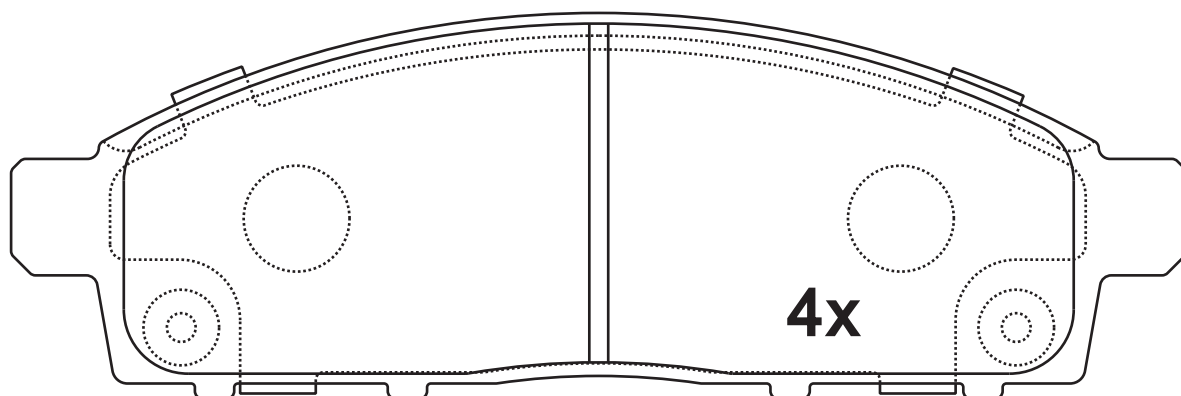
**Thickness
(mm)**

16



NOTE

4 identical;



24529

Apply for:

Mitsubishi L200

Pickup

11.05-

SR0414.01

**Dimension
(mm)**

141.9×54.3

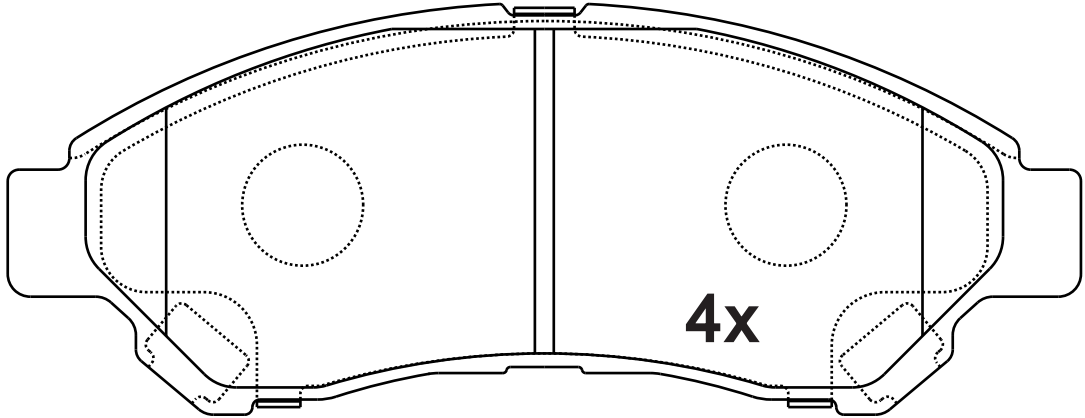
**Thickness
(mm)**

16



NOTE

4 Identical ;



**D1725
04465-BZ130**

Apply for:

Daihatsu Grandmax

Saloon

2012-

SR0414

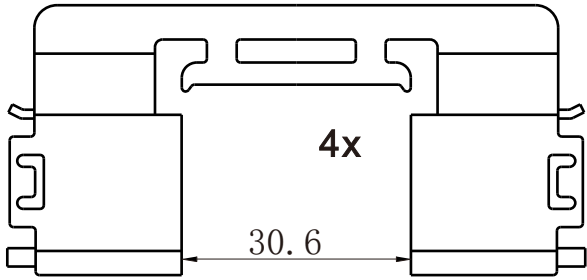
**Dimension
(mm)**

**Thickness
(mm)**



NOTE

**附件包
Accessory bag**



K0356
FJB0558.01

SR0415.01

**Dimension
(mm)**

116.1×59.5

**Thickness
(mm)**

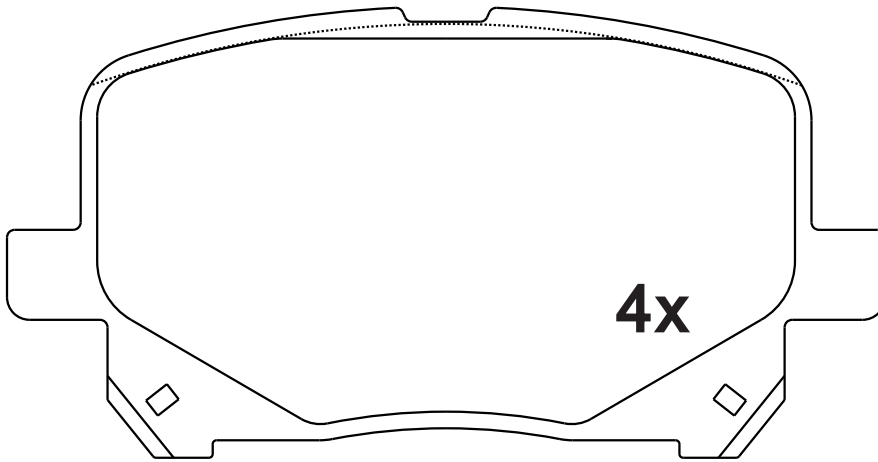
16.9



NOTE

4 identical;

无模具



24522



Apply for:

Toyota Previa

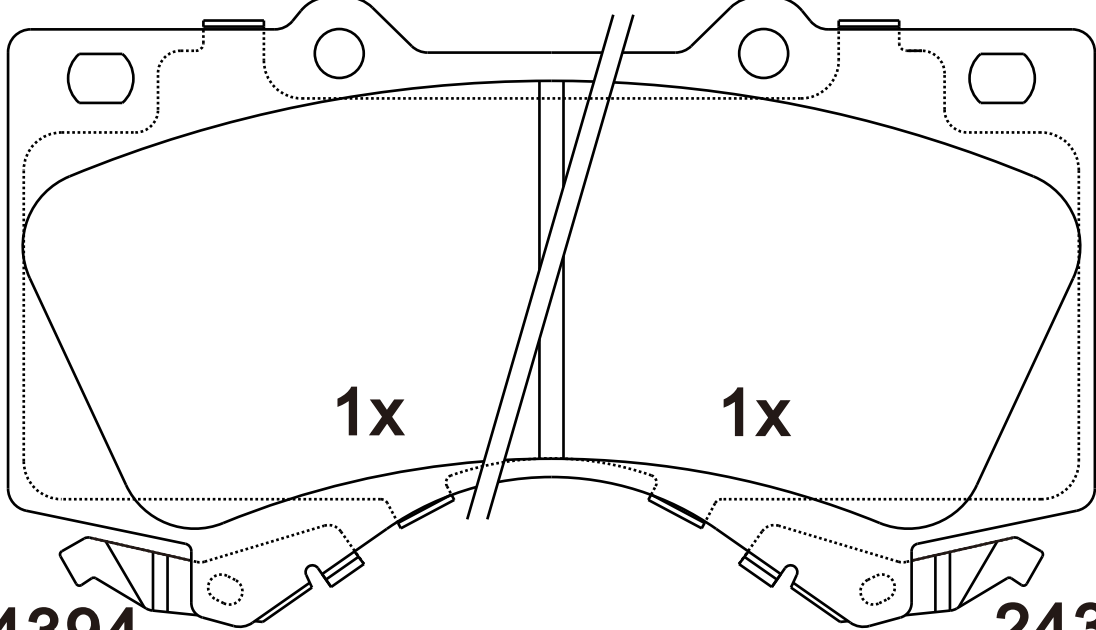
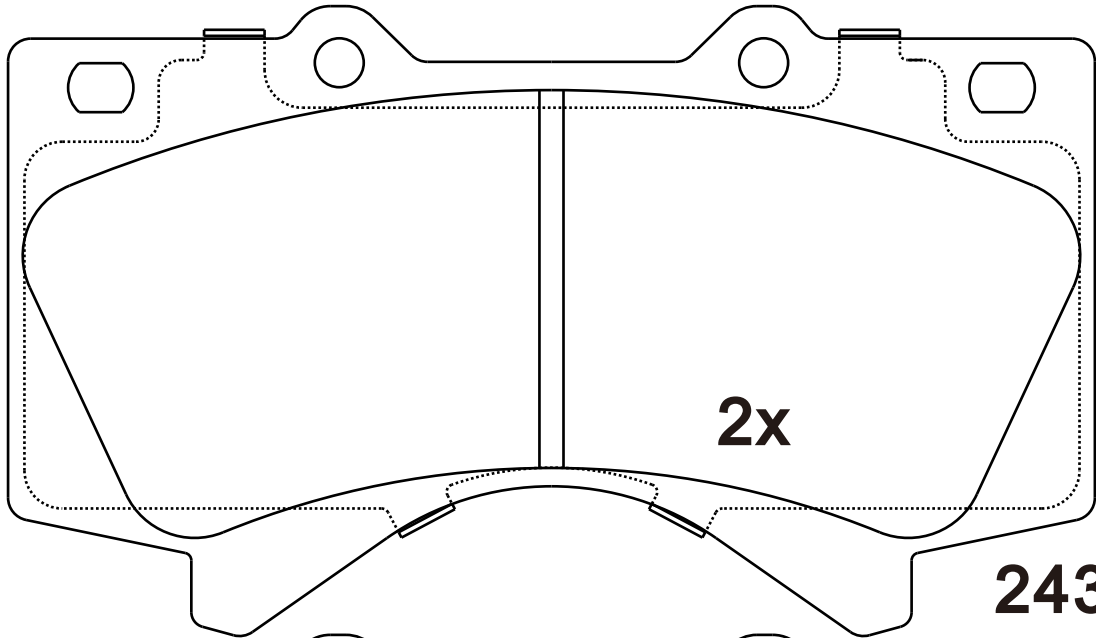
MPV

08.00-01.06

SR0416.01

Dimension (mm)	Thickness (mm)	
143.7×83.3	18.5	 

NOTE
4 identical, 1 with acoustic indicator (left), 1 with acoustic indicator (right).




Apply for:

Toyota Land Cruiser

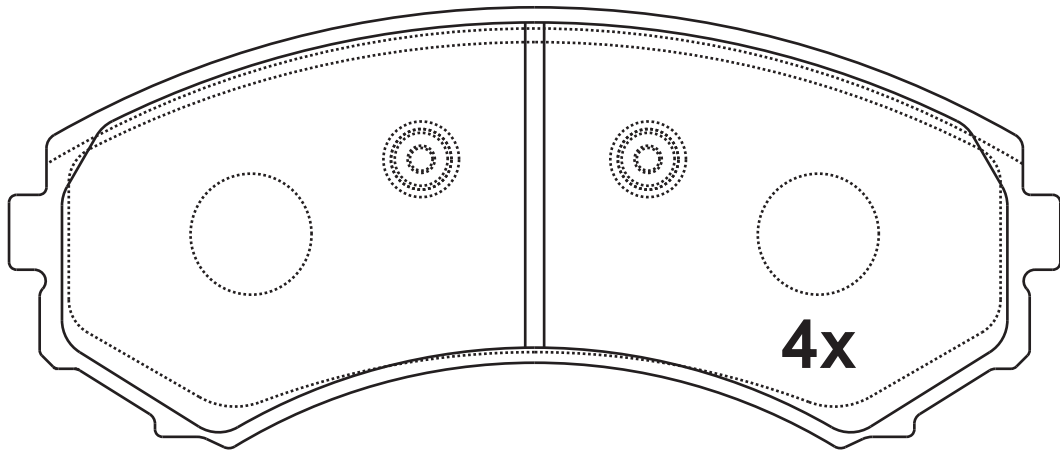
Closed off-Road

01.08-

SR0417.01

Dimension (mm)	Thickness (mm)	
139×58.3	15.4	

NOTE
4 identical;



23488



Apply for:

Mitsubishi Grandis	MPV	04.04-
Mitsubishi Pajero III	Open off-Road	09.01-12.06
Mitsubishi Pajero IV	Closed off-Road	02.07-
Mitsubishi Pajero Classic	Closed off-Road	07.02-

SR0418.01

**Dimension
(mm)**

168.6×58.16

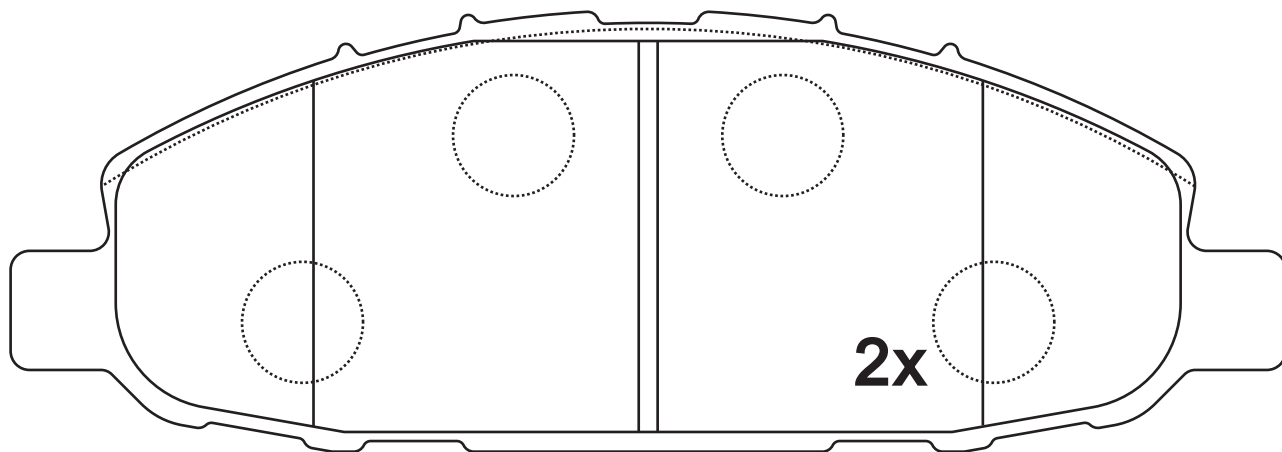
**Thickness
(mm)**

17

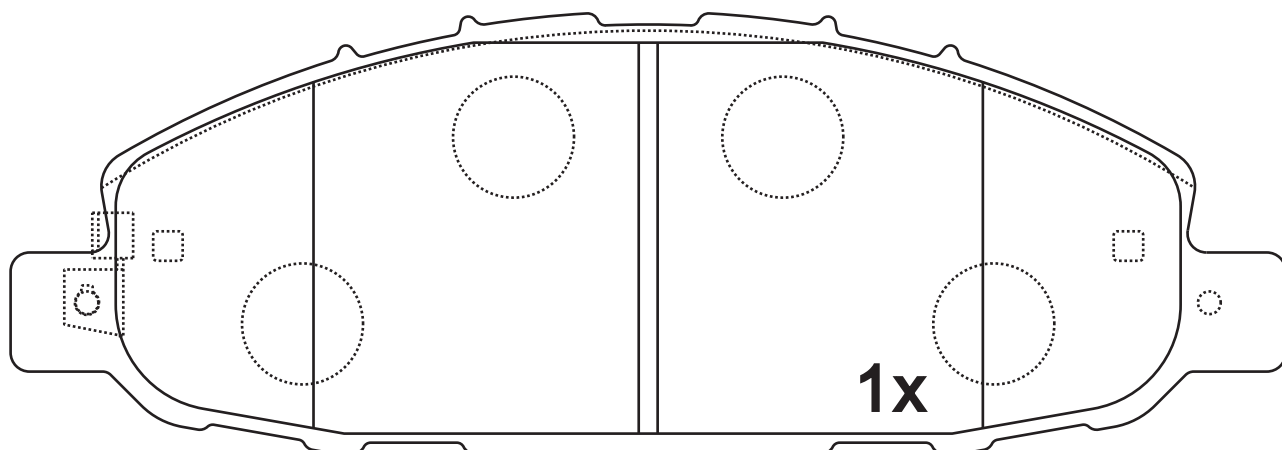
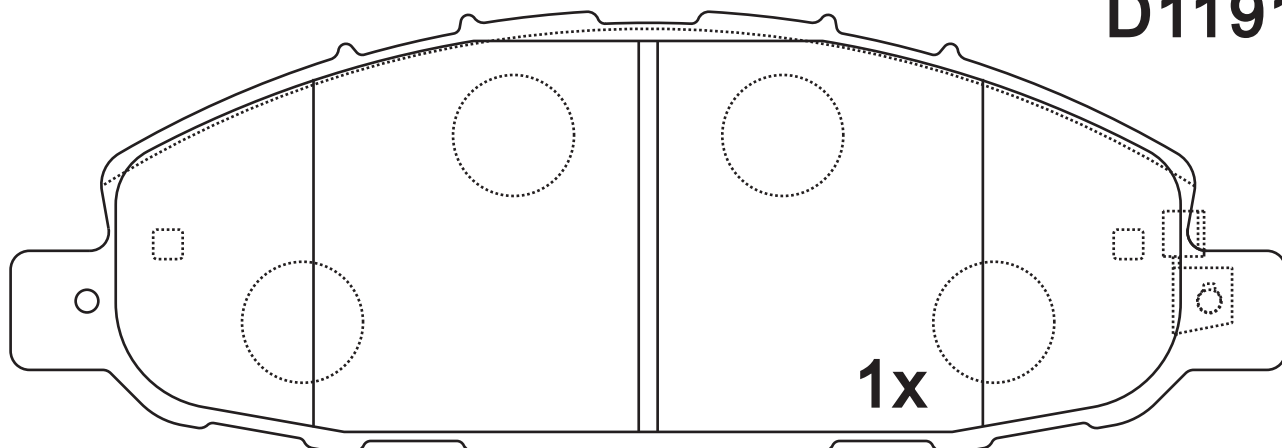


NOTE

4 identical, 1 with
acoustic indicator (left),
1 with acoustic indicator
(right).



D1191



Apply for:

Nissan Urvan

Box

10.00-01.12

SR0418.02

**Dimension
(mm)**

168.6×58.16

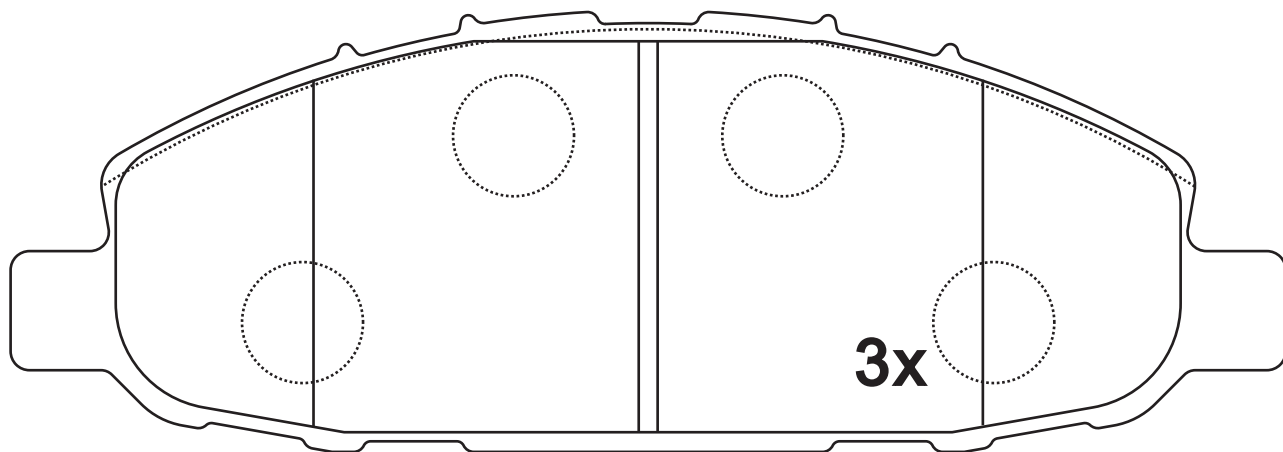
**Thickness
(mm)**

17

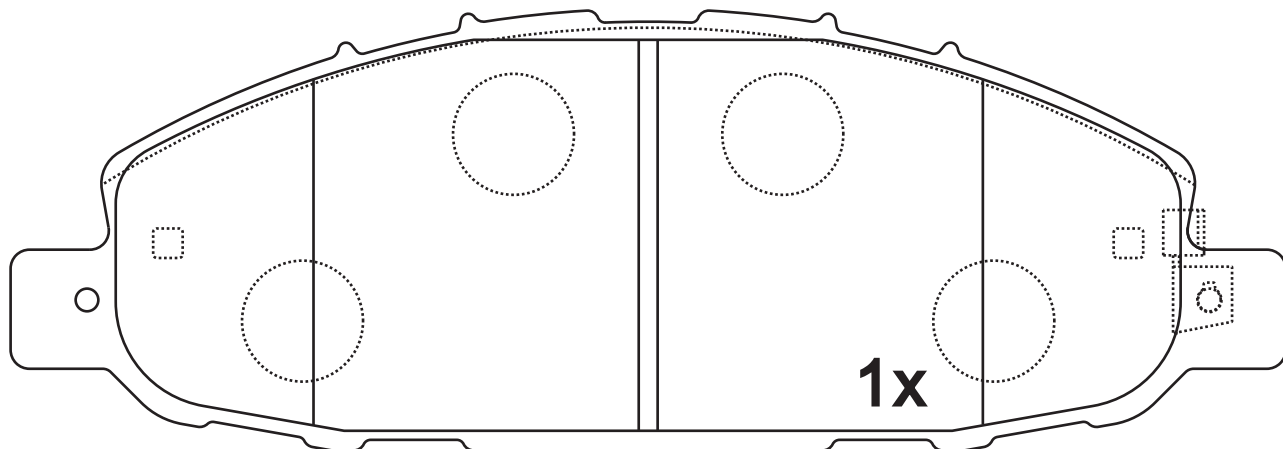


NOTE

**4 identical, 1 with
acoustic indicator(left).**



D1191



Apply for:

Nissan Urvan

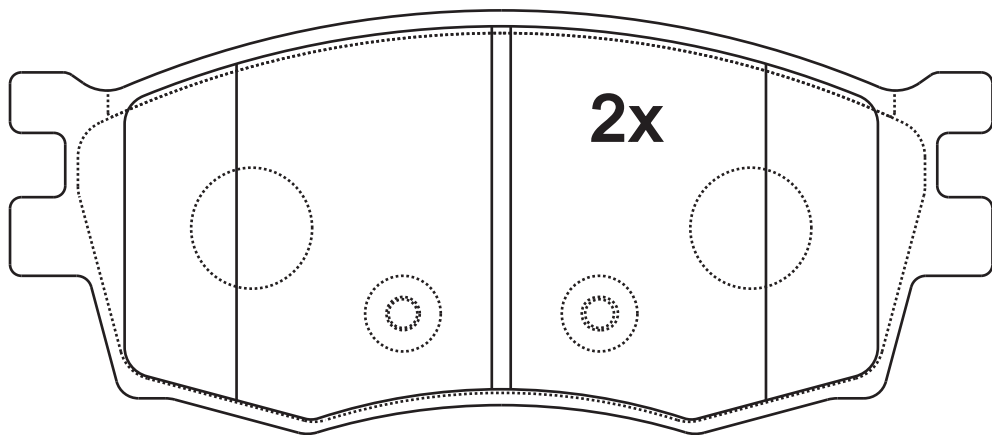
Box

10.00-01.12

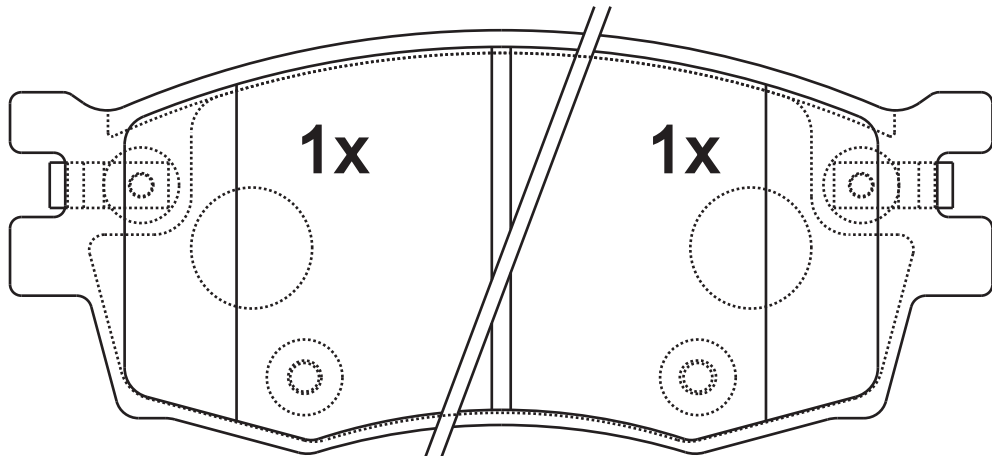
SR0419.01

Dimension (mm)	Thickness (mm)	
129.9×56	17.6	

NOTE
4 identical, 1 with acoustic indicator (left), 1 with acoustic indicator (right).



24317



24318

24319

Apply for:

Hyundai Accent III	Hatchback	11.05-11.10
Hyundai Accent III	Saloon	11.05-11.10
Hyundai i20	Hatchback	09.08-

SR0419

**Dimension
(mm)**

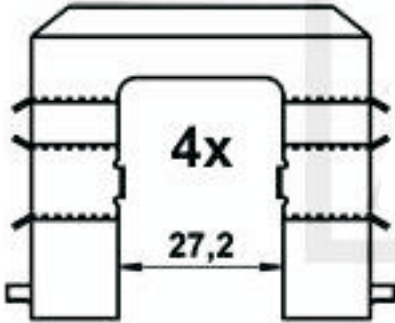
**Thickness
(mm)**



NOTE

附件包

Accessory kit



K0382

FJB0419.01

SR0420.01

**Dimension
(mm)**

**Thickness
(mm)**



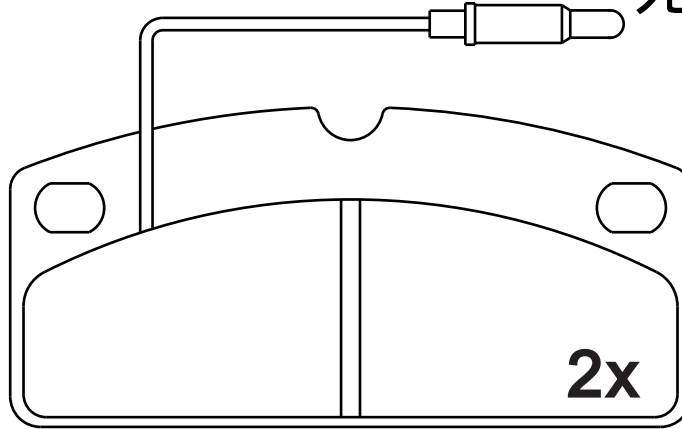
NOTE

2 identical;2 identical;

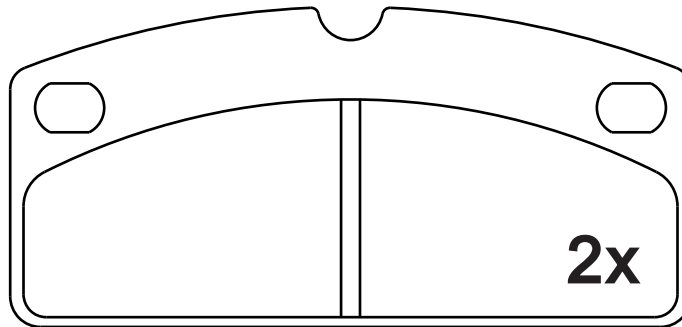
89.6×42.2

10

无模具



24730



GDB1679

Apply for:

AIXAM 400 0.05	2000/01 -
AIXAM 500 0.5 D	1997/12 -
AIXAM A.721 0.4 D	2005/01 -
AIXAM A.741 0.4 D	2005/01 -
AIXAM A.751 0.5 D	2005/01 -
LIGIER AMBRA 0.5	1996/12 -
LIGIER BE UP 0.5	2002/08 -
LIGIER NOVA 400	2002/08 -
LIGIER NOVA 500	2002/08 -
LIGIER NOVA 650	2002/08 -
PIAGGIO M500 0.5 D	2004/01 -

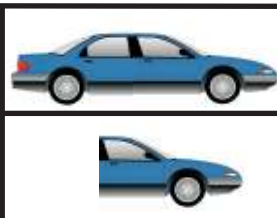
SR0421.01

**Dimension
(mm)**

141.6×56.6

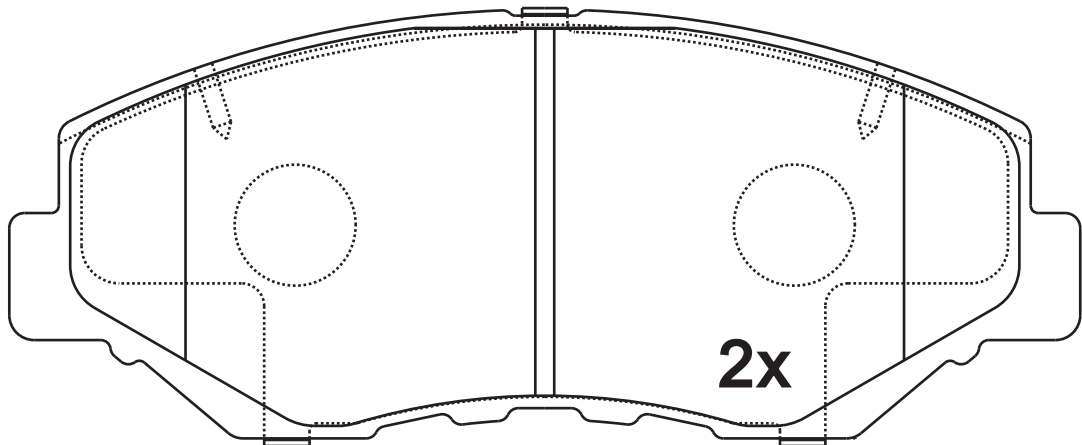
**Thickness
(mm)**

17.1

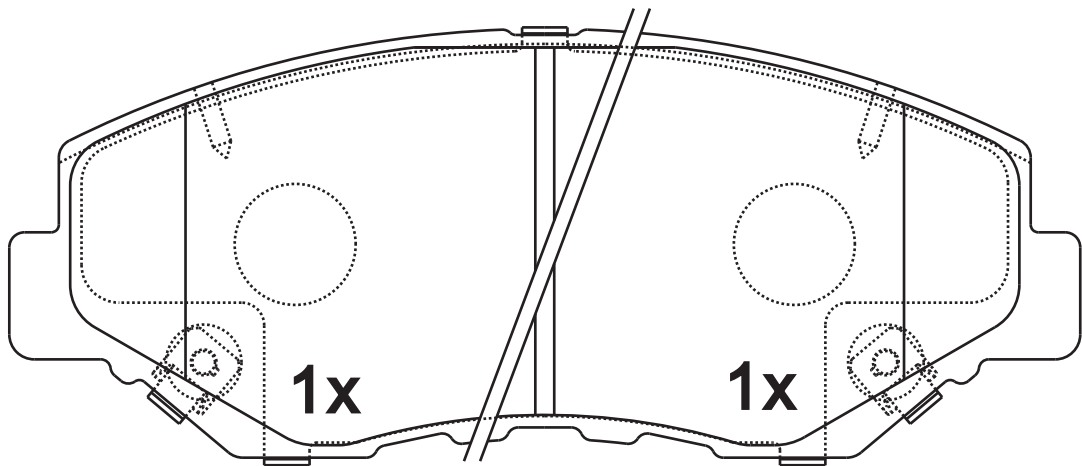


NOTE

4 identical, 1 with acoustic indicator (left), 1 with acoustic indicator (right).



23868



23870

23869

Apply for:

Honda CR-V II

Closed off-Road

09.01-09.06

SR0422.01

**Dimension
(mm)**

131.4×58.5

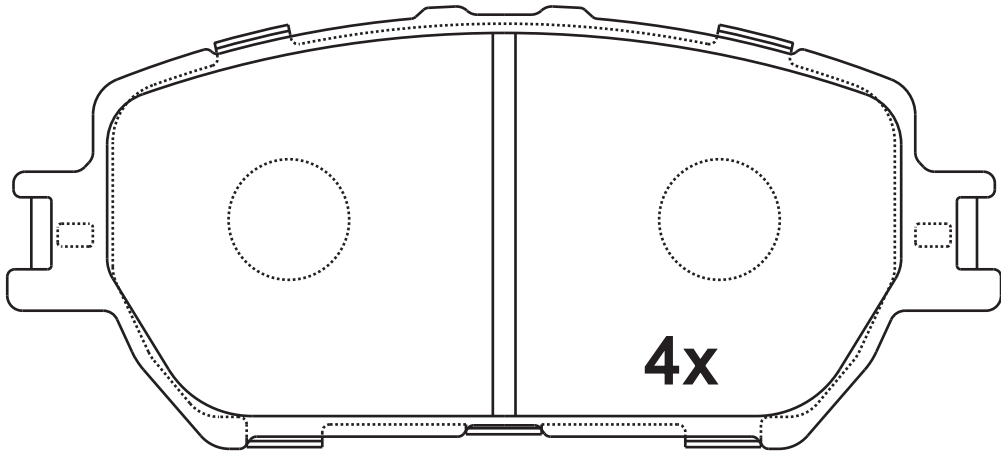
**Thickness
(mm)**

17.3



NOTE

4 identical;



23928

Apply for:

Toyota Camry

Saloon

08.01-

SR0423.01

**Dimension
(mm)**

95.4×37.5

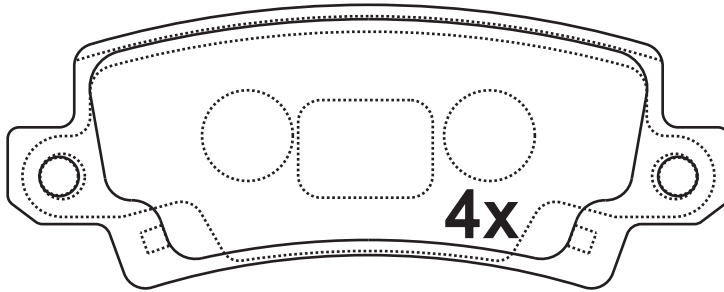
**Thickness
(mm)**

16

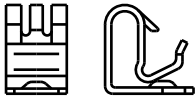


NOTE

4 identical;



23816



2x

Apply for:

Toyota Corolla

Saloon

08.02-07.07

SR0424.01

**Dimension
(mm)**

131.4×57.2

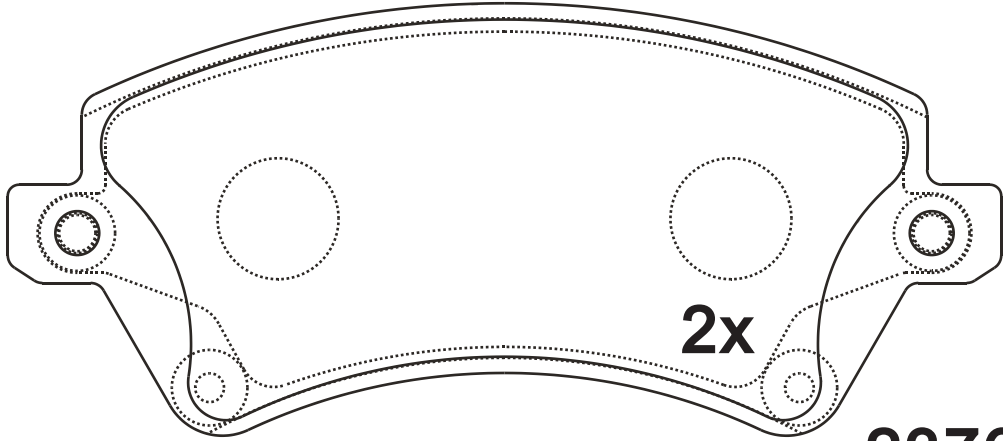
**Thickness
(mm)**

17.8

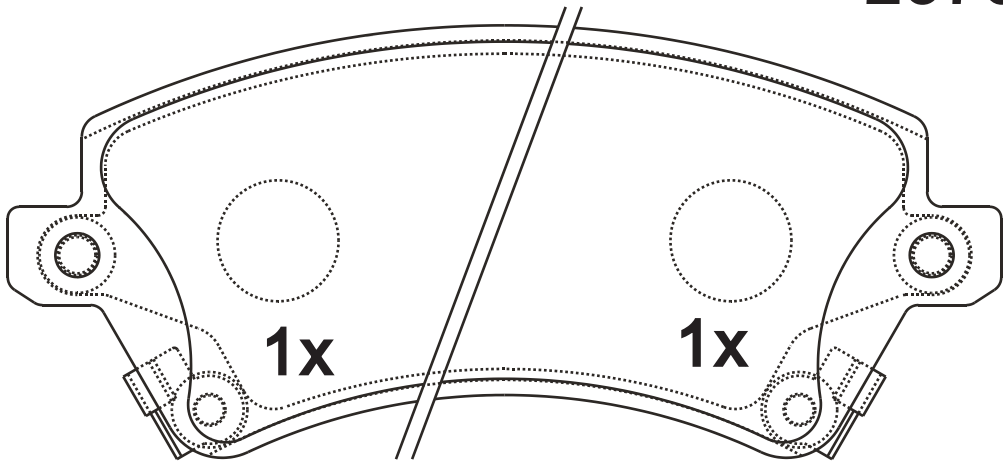


NOTE

4 identical, 1 with acoustic indicator (left), 1 with acoustic indicator (right).



23766



23818

23819

Apply for:

Toyota Corolla

Saloon

08.02-07.07

SR0424.02

**Dimension
(mm)**

**Thickness
(mm)**

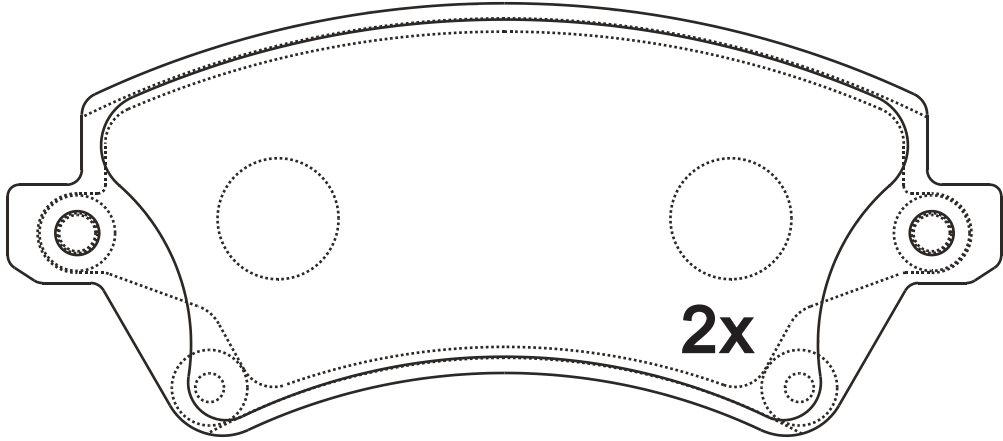


NOTE

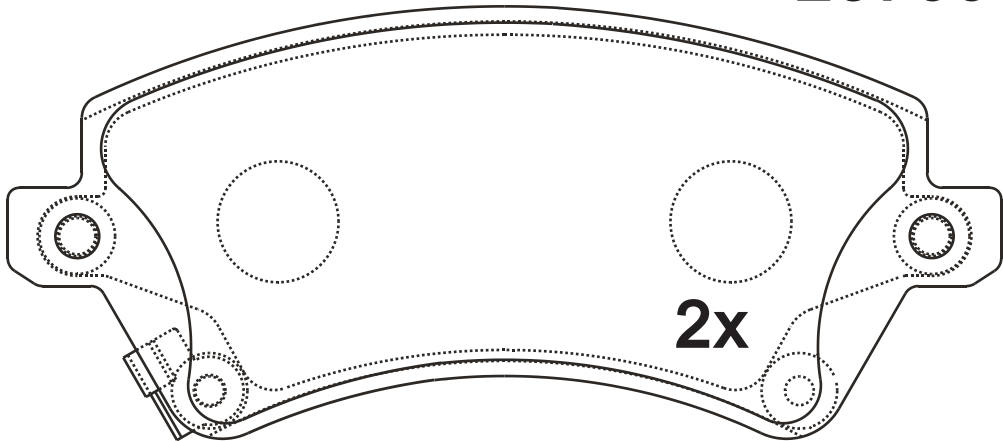
**4 identical,
2 with acoustic indicator
(right).**

131.4×57.2

17.8



23766



23767

Apply for:

TOYOTA COROLLA (_E11_)
TOYOTA COROLLA Verso (_E12_)
TOYOTA COROLLA Estate (_E12_)

1997/04-2002/06
2001/07-2004/07
2001/03-2008/12

SR0424

**Dimension
(mm)**

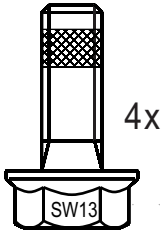
**Thickness
(mm)**



NOTE

附件包

Accessory kit



M8X22

L0020

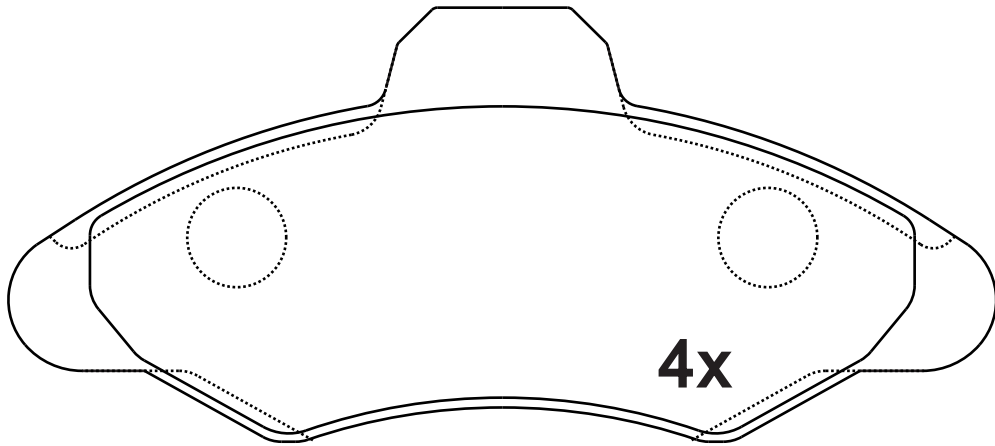
FJB0280.01

SR0425.01**Dimension
(mm)**

130.6×57.4

**Thickness
(mm)**

18.5

**NOTE****4 identical;****21171****Apply for:**

Ford Escort	Hatchback	07.90-12.94
Ford Escort	Box	01.95-
Ford Escort V	Hatchback	07.90-12.92
Ford Escort V	Convertible	07.90-12.92
Ford Escort V	Estate	07.90-12.92
Ford Escort VI	Hatchback	09.92-01.95
Ford Escort VI	Convertible	12.92-01.95
Ford Escort VI	Estate	09.92-01.95
Ford Escort VI	Saloon	08.93-01.95
Ford Escort VII	Hatchback	01.95-08.02
Ford Escort VII	Convertible	02.95-08.00
Ford Escort VII	Estate	01.95-02.99
Ford Escort VII	Saloon	01.95-02.99
Ford Orion III	Saloon	07.92-10.94

SR0425.02

**Dimension
(mm)**

130.6×57.4

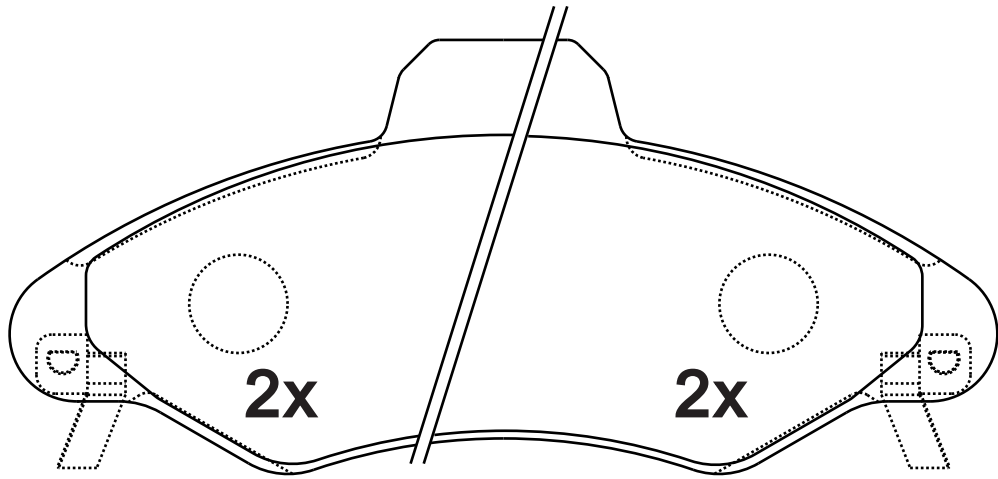
**Thickness
(mm)**

18.5



NOTE

4 identical, 2 with acoustic indicator(right),2 with acoustic indicator(left).





23300

23301

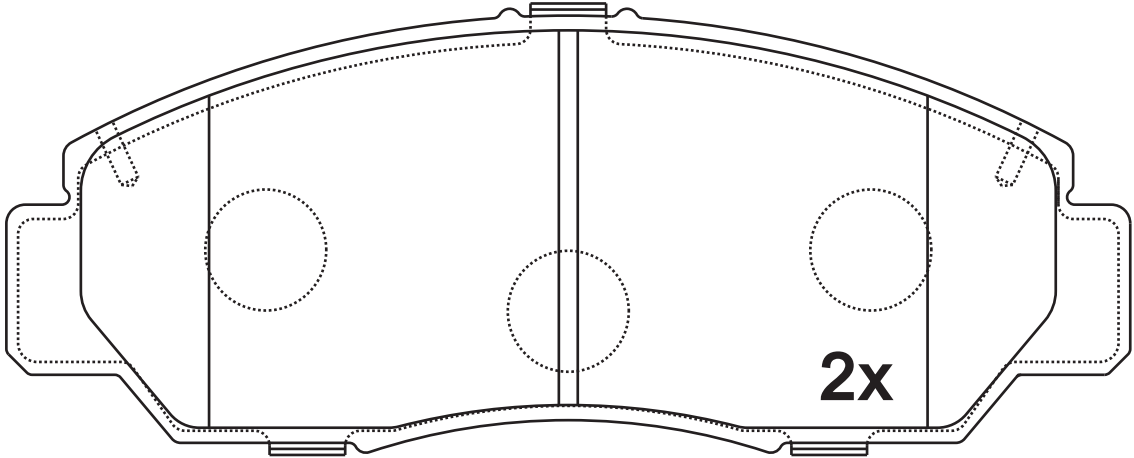
Apply for:

Ford Escort VI	Hatchback	09.92-01.95
Ford Escort VII	Hatchback	01.95-10.98
Ford Escort VII	Convertible	02.95-09.99
Ford Escort VII	Estate	01.95-02.99
Ford Escort VII	Saloon	01.95-02.99
Ford Escort Classic	Estate	02.99-07.00
Ford Escort Classic	Hatchback	10.98-07.00
Ford Escort '95 BOX	BOX	01.95-

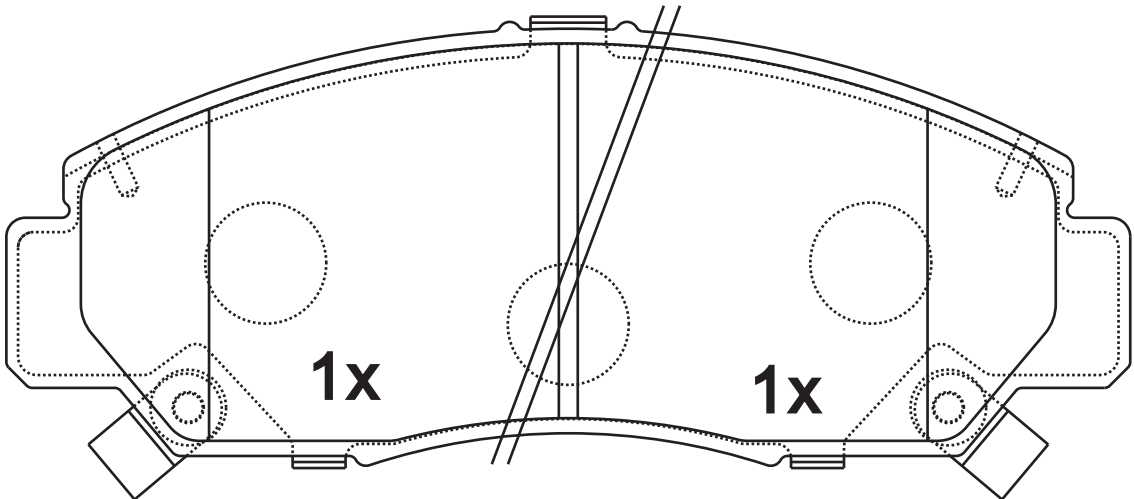
SR0426.01

Dimension (mm)	Thickness (mm)	
148.6×58.7	16.9	

NOTE
4 identical, 1 with acoustic indicator (left), 1 with acoustic indicator (right).



23729



24054

24055

Apply for:

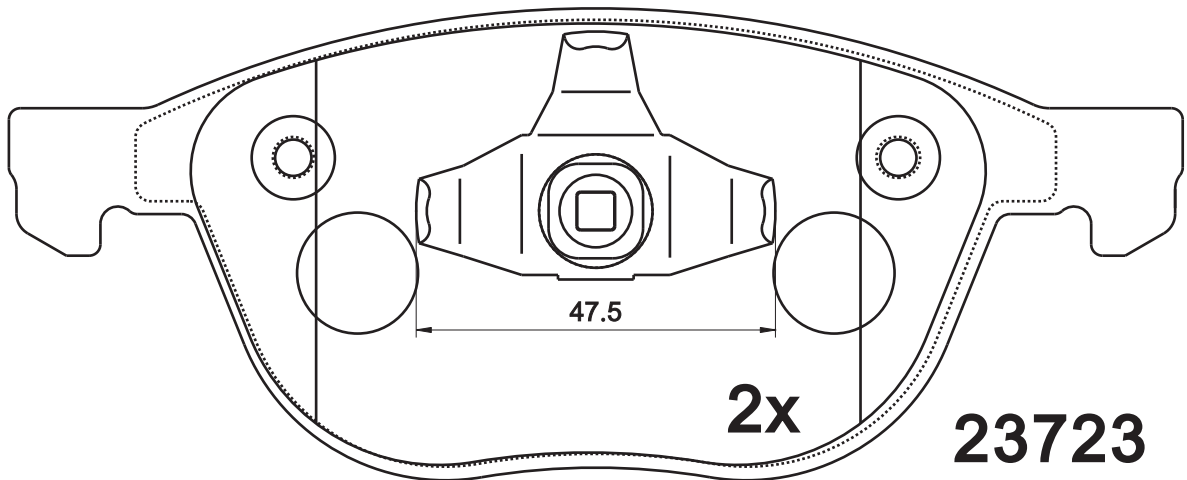
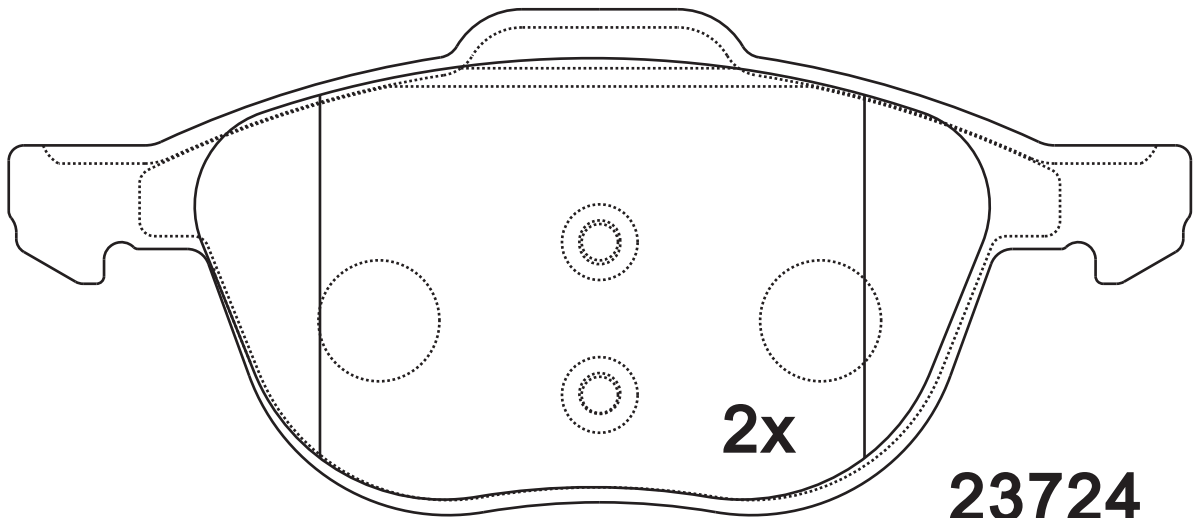
Honda FR-V

Hatchback

08.04-

SR0427.01**Dimension
(mm)**156.3×66.9
155.2×62.4**Thickness
(mm)**

18.1

**NOTE****2 identical; 2 identical
with spring.****Apply for:**

Ford C-MAX	MPV	02.07-
Ford Focus C-MAX	MPV	10.03-03.07
Ford Focus II	Saloon	04.05-
Ford Focus II	Estate	11.04-
Ford Focus II	Convertible	10.06-
Ford Kuga I	Closed off-Road	03.08-
Mazda 3	Hatchback	10.03-06.09
Mazda 3	Saloon	02.04-
Mazda 5	MPV	03.05-

SR0427.02

**Dimension
(mm)**

155.2X67
155.2×62.2

**Thickness
(mm)**

18

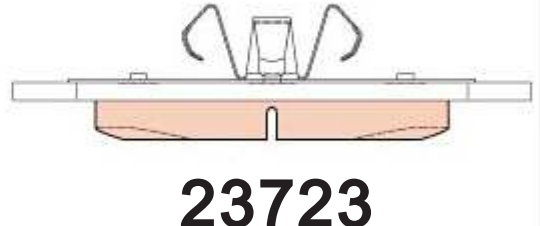
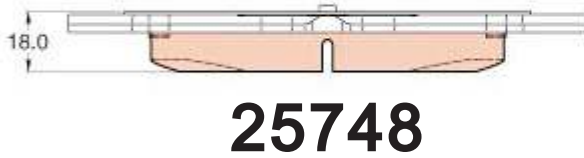
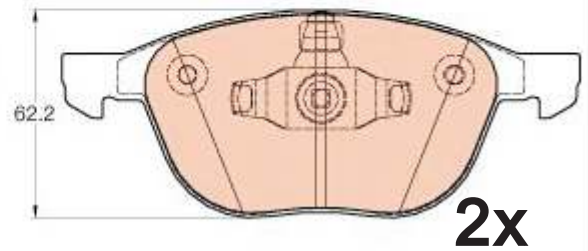
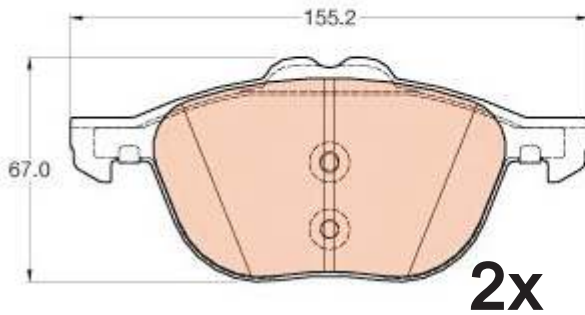


NOTE

**2 identical; 2 identical
with spring.**



无模具



GDB2043

Apply for

Ford C-Max
Ford (Changan) Focus Hatchback
Haima 3 Saloon
Mazda 3

2007/02-2010/09
2005/09-2011/12
2006/08-
2003/10-2009/12

SR0428.01

**Dimension
(mm)**

103.6×38.8

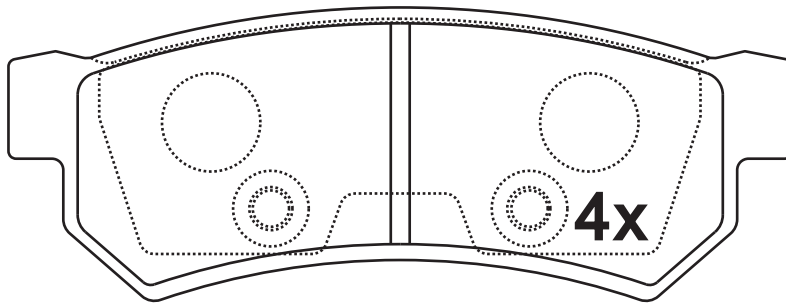
**Thickness
(mm)**

14.4



NOTE

4 identical;



25232

Apply for:

Chevrolet Lacetti	Hatchback	03.05-
Chevrolet Nubira	Estate	01.05-
Chevrolet Nubira	Saloon	01.05-

SR0428

**Dimension
(mm)**

**Thickness
(mm)**



NOTE

**附件包
Accessory bag**



4x



**DX0034
FJB0428.01**

SR0429.01

**Dimension
(mm)**

131×62.6

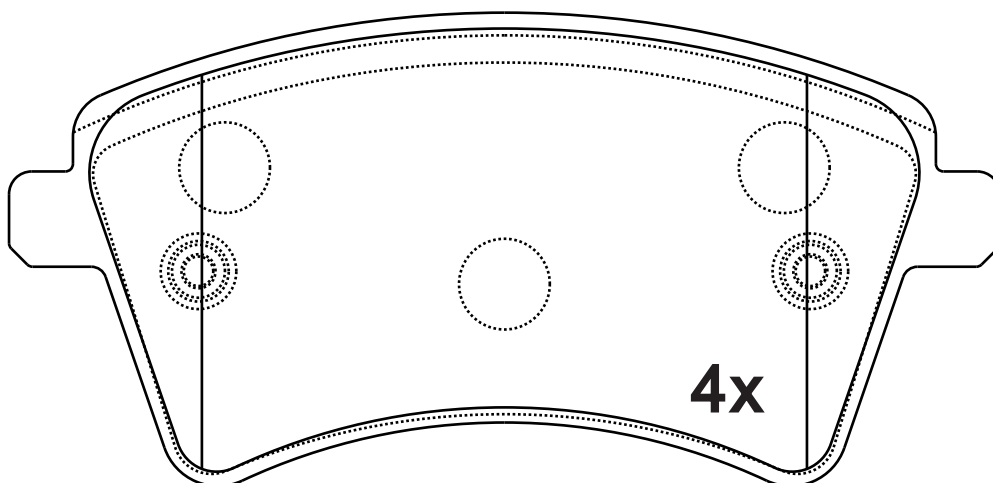
**Thickness
(mm)**

17.5



NOTE

4 identical;



24693

Apply for:

Mercedes CITAN Box (415)	2012/11
Mercedes CITAN Tila - Auto (415)	2012/11
Renault KANGOO MPV	2008/02
Renault KANGOO BE BOP (KW0/1 _)	2009/02
Renault KANGOO box car	2008/02

SR0429.02

**Dimension
(mm)**

131.7×56.9

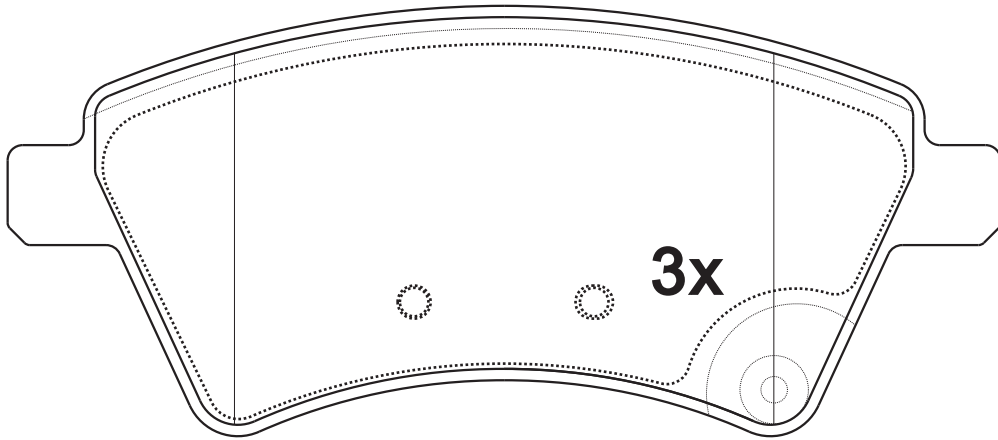
**Thickness
(mm)**

16.6

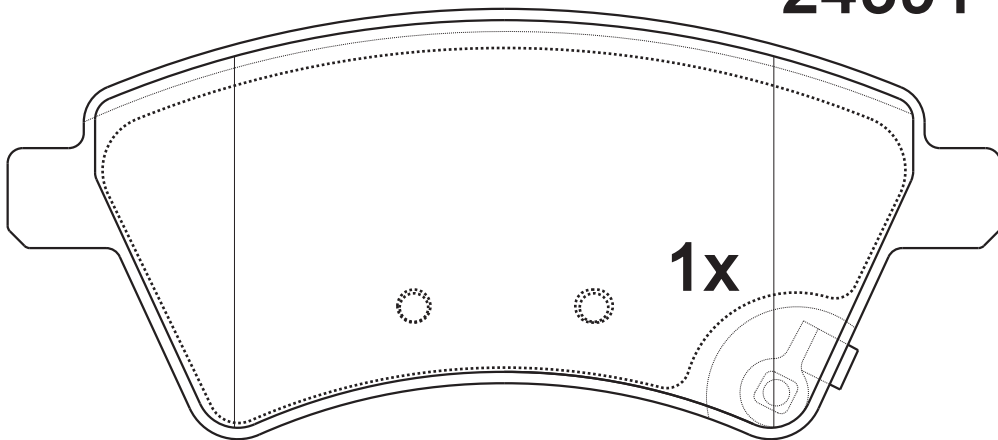


NOTE

2 identical;2 identical;



24391



24392

Apply for:

Fiat Sedici

Suzuki Sx4

Suzuki (Changan) Sx4 Hatchback

2006/06-2014/10

2006/06-

2007/04-2015/12

SR0429.03

**Dimension
(mm)**

131×62.3

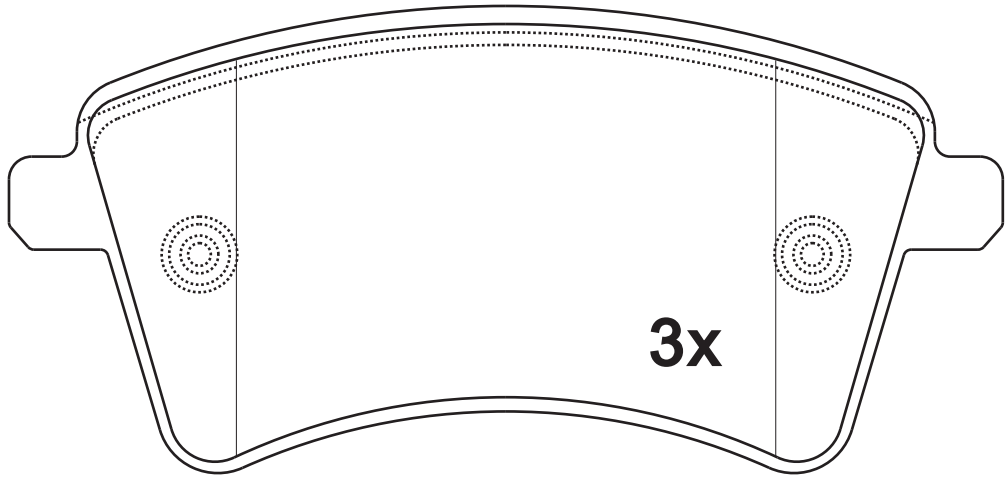
**Thickness
(mm)**

17.5

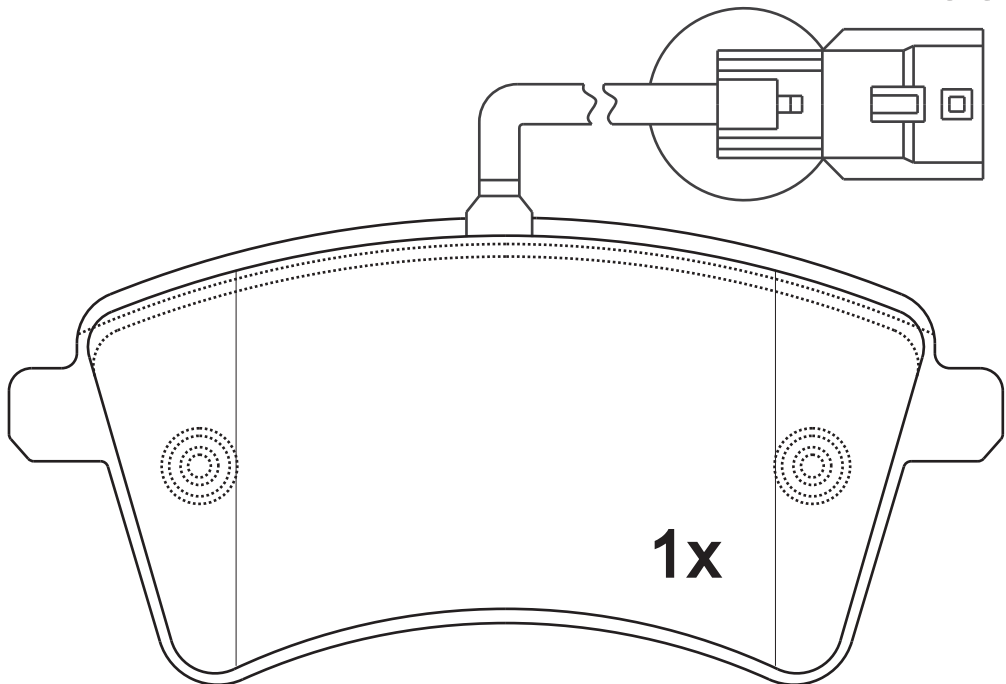


NOTE

4 identical, 1 with warn indicator.



24693



25291

Apply for:

- | | |
|----------------------------------|----------|
| Mercedes CITAN Box (415) | 2012/11- |
| Mercedes CITAN Tila - Auto (415) | 2012/11- |
| Renault KANGOO MPV | 2008/02- |
| Renault KANGOO BE BOP (KW0/1 _) | 2009/02- |
| Renault KANGOO box car | 2008/02- |

SR0429.04**Dimension
(mm)**

131.7x56.9

**Thickness
(mm)**


15

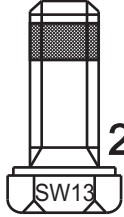
**NOTE**

4 identical, 1 with acoustic indicator (left),
1 with acoustic indicator (right).


**2x****1x****1x****GDB1673****Apply for:**

FIAT SEDICI (189_) 1.6 16V	2006-2014
SUZUKI SX4 (EY, GY) 1.5 (RW 415)	2006-2010
SUZUKI SX4 (EY, GY) 1.6 VVT (RW 416)	2009-

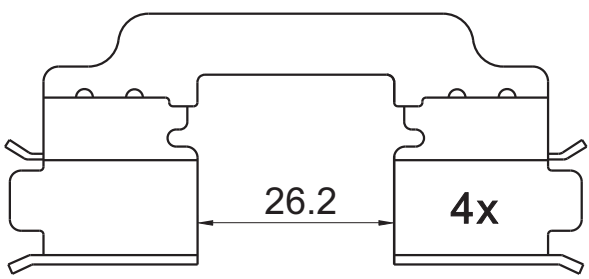
SR0429	Dimension (mm)	Thickness (mm)		NOTE


2x
M8×21
L0010
FJB0003.01



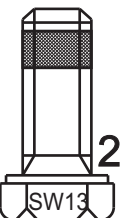
4x
M8×21
L0010
FJB0025.01



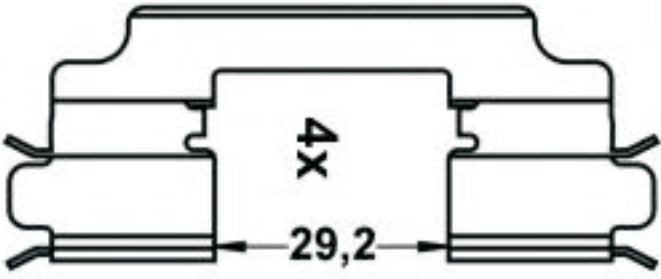
26.2
4x
K0079(取消K0202)
FJB0622.01 (FJB0429.01取消)



4x
M8×21
L0010



2x
M8×21
L0010



4x
29,2
DXK0049*4
FJB0429.02

SR0430.01

**Dimension
(mm)**

155.1×64.5/57.8

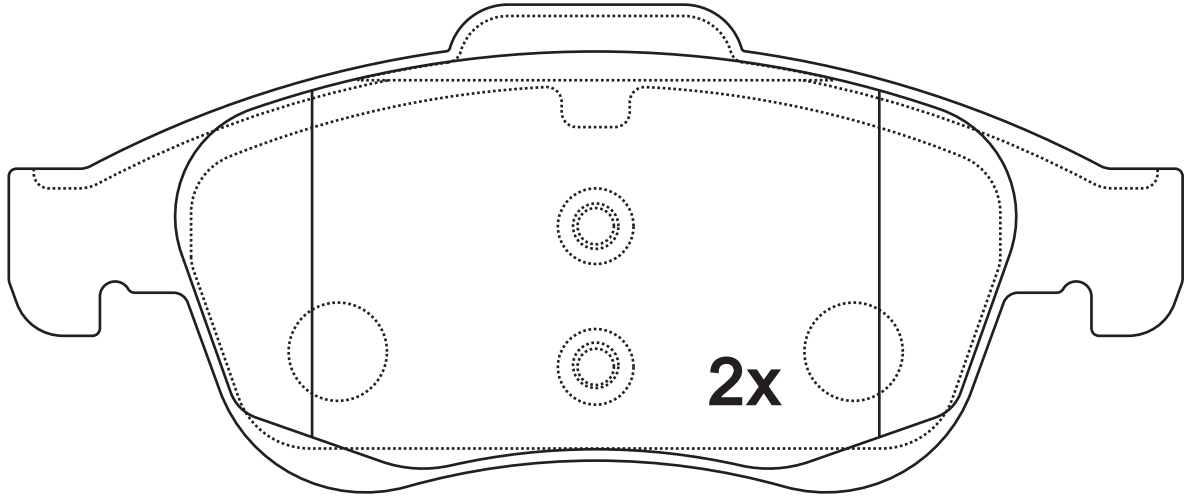
**Thickness
(mm)**

18.5

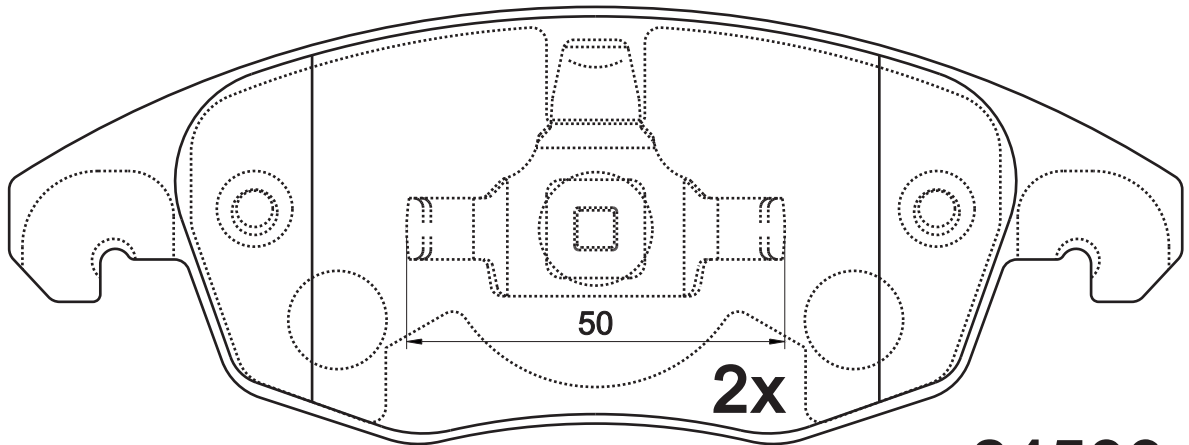


NOTE

**2 identical; 2 identical
with spring.**



24538



24539

Apply for:

Citroen C4 Picasso

MPV

02.07-

Citroen C4 Grand Picasso I

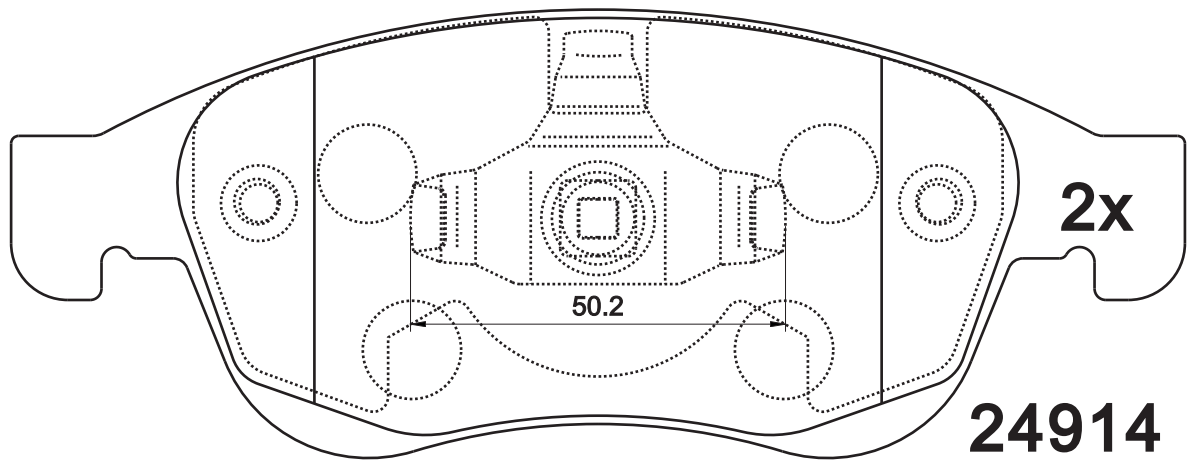
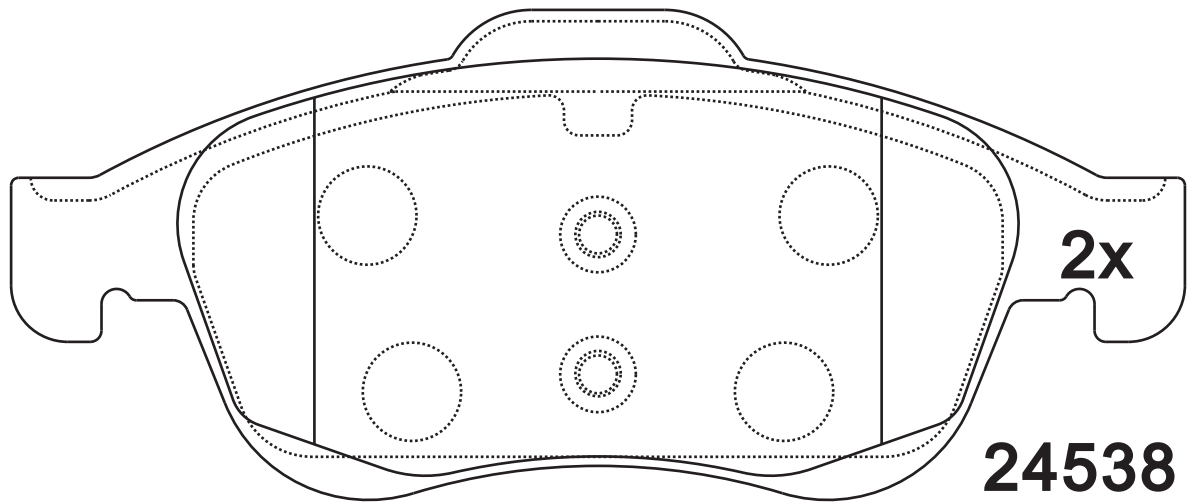
MPV

10.06-

SR0430.02

Dimension (mm)	Thickness (mm)	
155.1×64.8/59.3	17.7	

NOTE
2 identical; 2 identical with spring.



Apply for:

RENAULT Fluence (Latin America) 2011-2012

SR0430.03

**Dimension
(mm)**

155.1×64.7/59.4

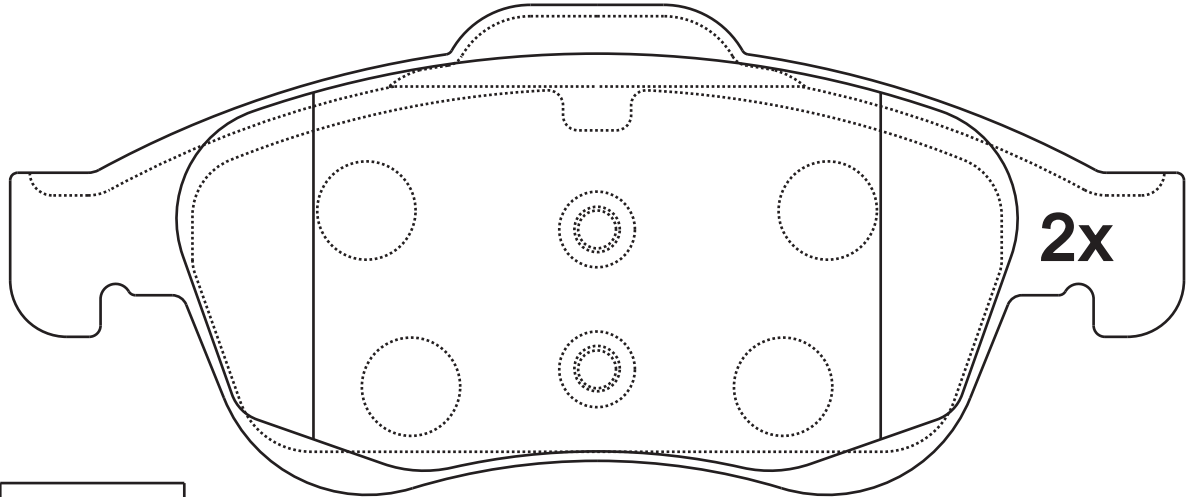
**Thickness
(mm)**

17.7



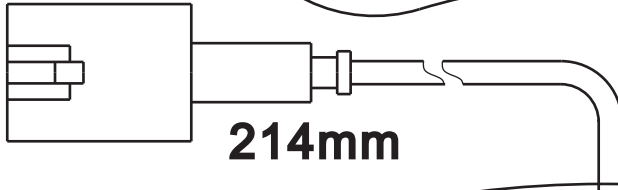
NOTE

**2 identical; 2 identical
with spring.**

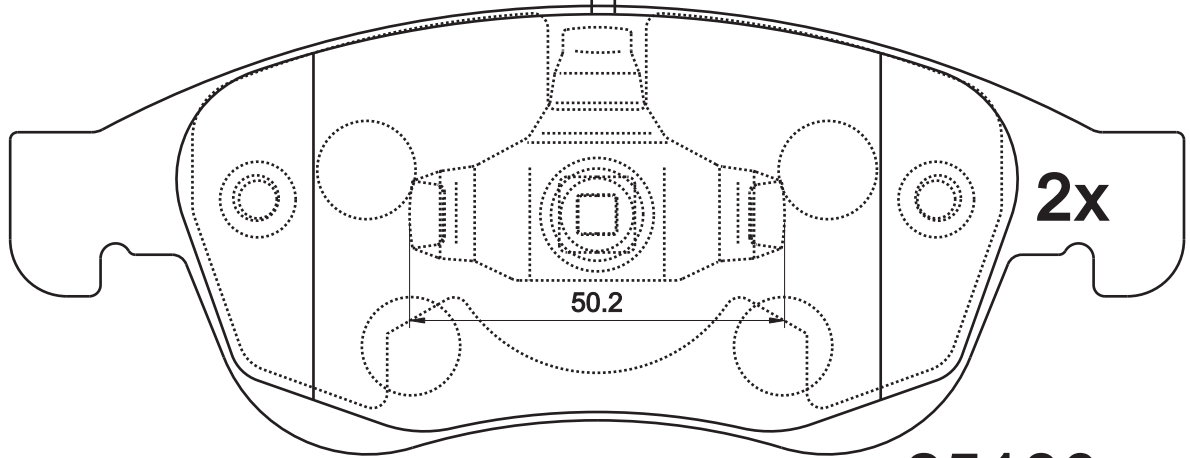


2x

24538



214mm



2x

50.2

25180

Apply for:

Citroen C4 Picasso

MPV

02.07-

Citroen C4 Grand Picasso I

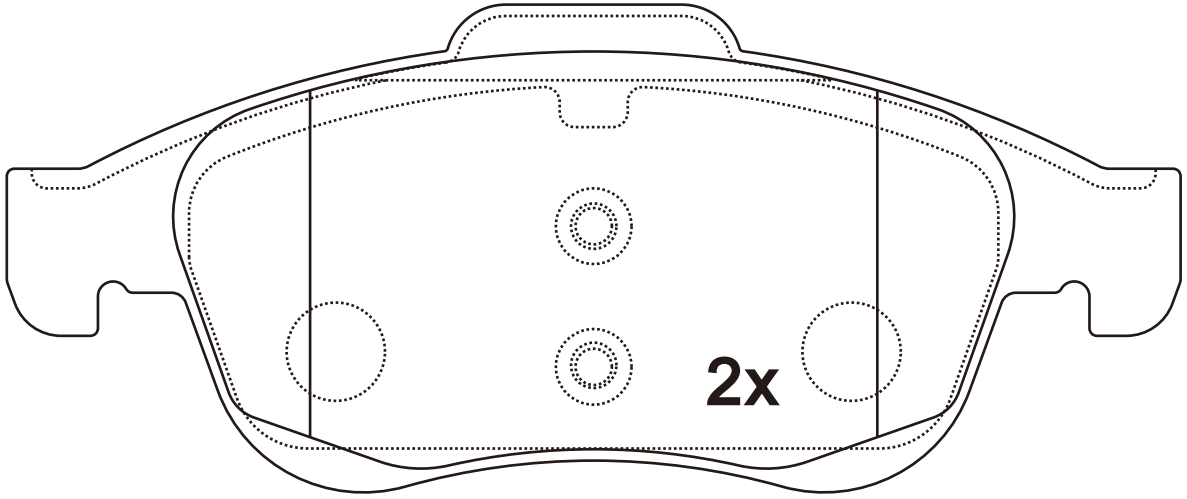
MPV

10.06-

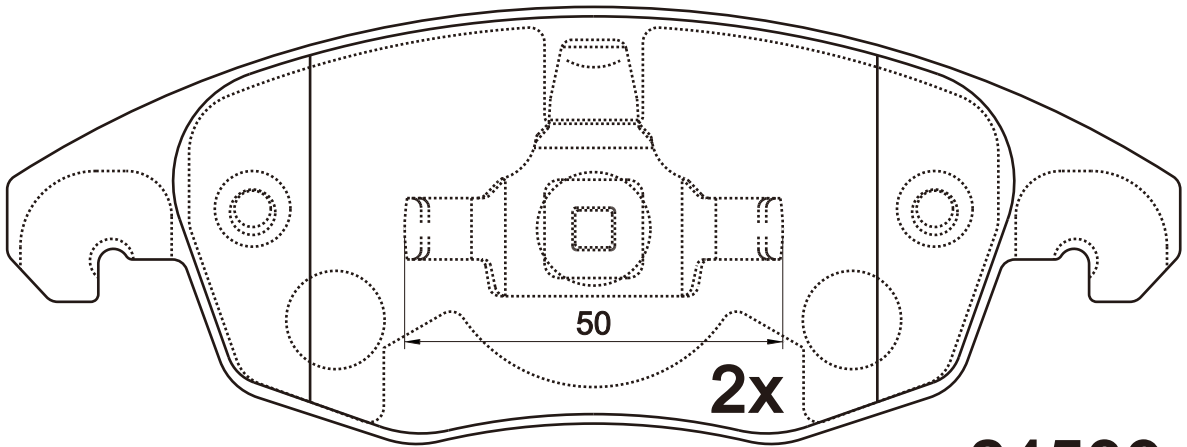
SR0430.04

Dimension (mm)	Thickness (mm)	
155.1×64.7/59.4	19/18.5	

NOTE
2 identical; 2 identical with spring.



24538



24539

Apply for:

Citroen C4 Picasso	MPV	02.07-
Citroen C4 Grand Picasso I	MPV	10.06-

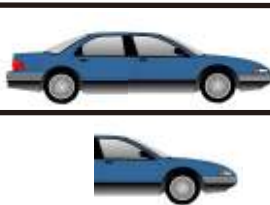
SR0430.05

**Dimension
(mm)**

155.1×64.8/59.3

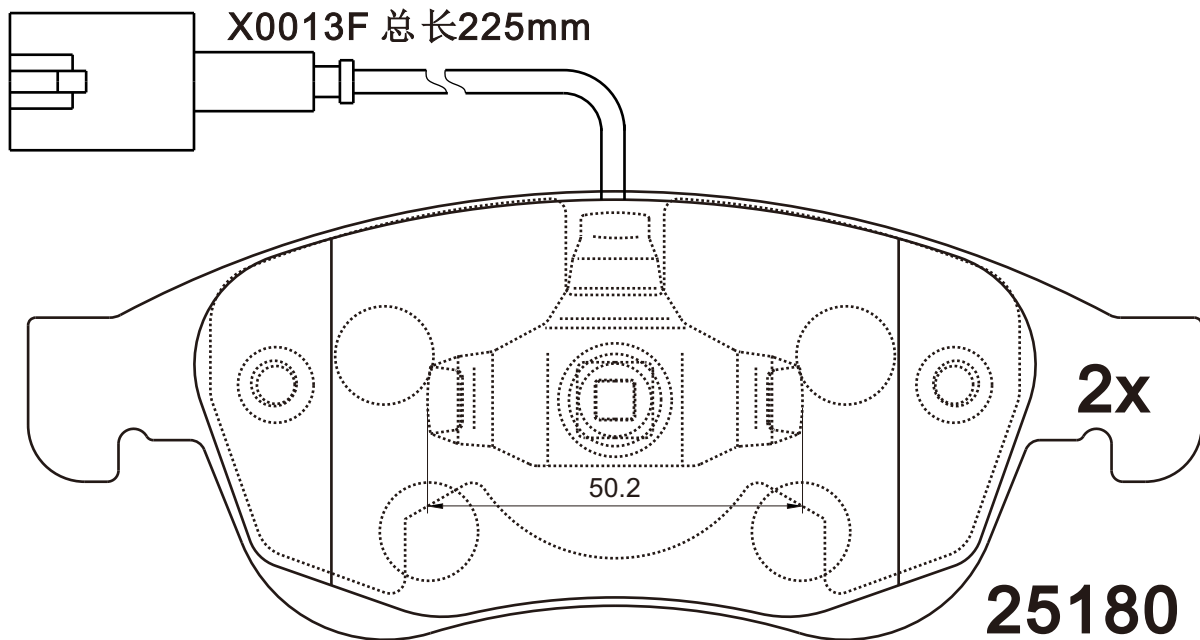
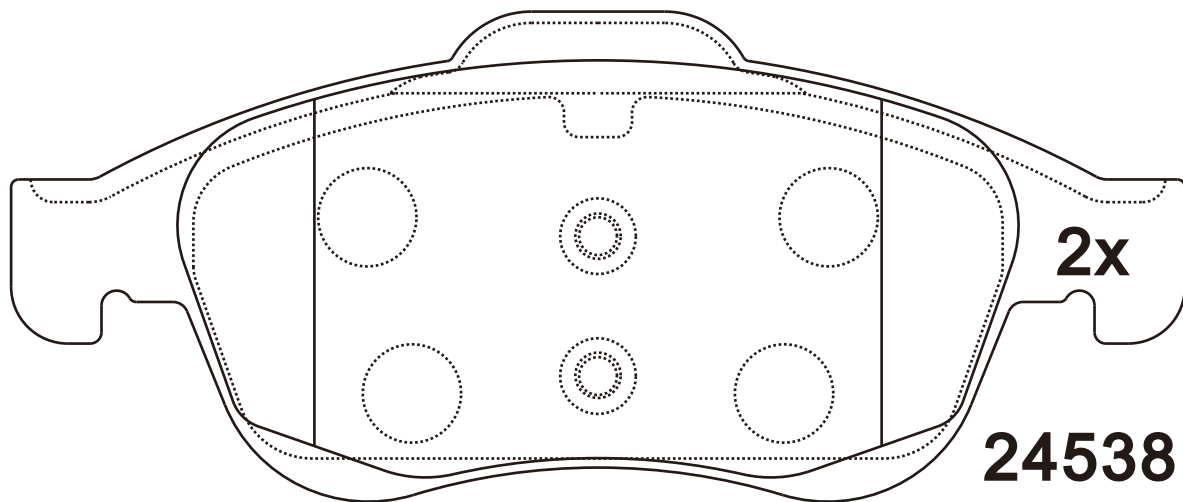
**Thickness
(mm)**

19



NOTE

**2 identical; 2 identical
with spring.**



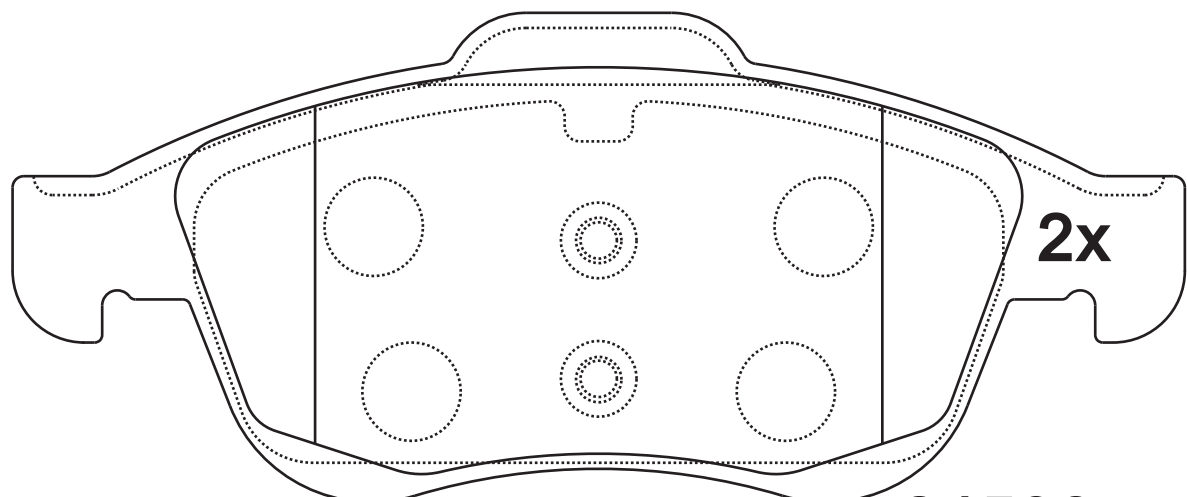
Apply for:

RENAULT Fluence (Latin America) 2011-2012

SR0430.06

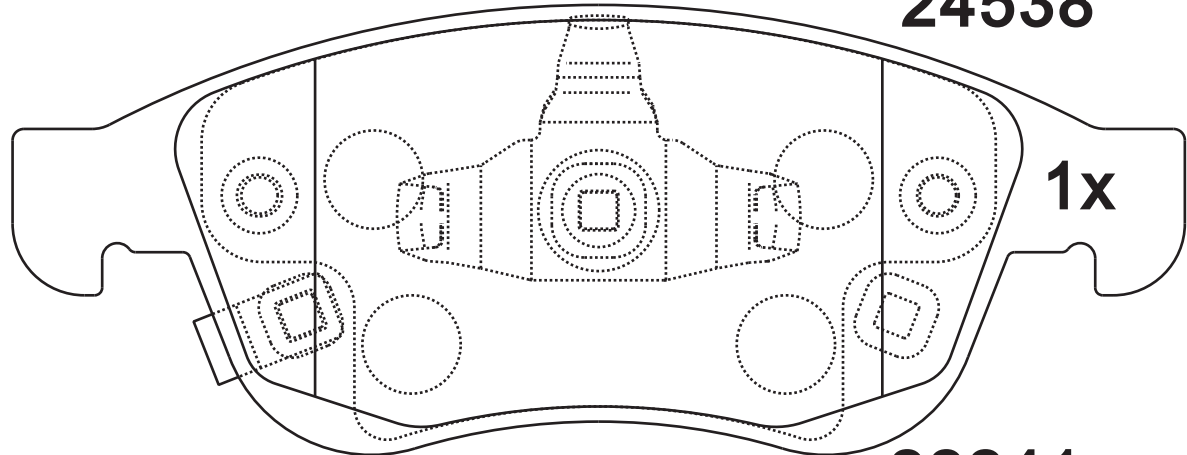
Dimension (mm)	Thickness (mm)	
155.1×64.7 155.1×59.4	19	

NOTE
2 identical; 2 identical, 1 with acoustic indicator (left), 1 with acoustic indicator (right).



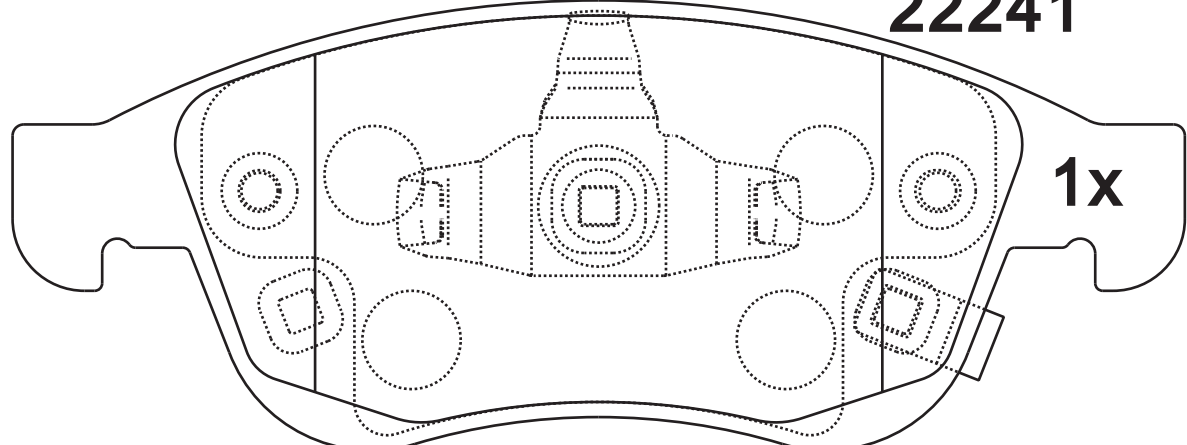
2x

24538



1x

22241



1x

22240

Apply for:

Fiat 500X

Jeep Renegade Closed Off-Road Vehicle

2014/09-

2014/07-

SR0430

**Dimension
(mm)**

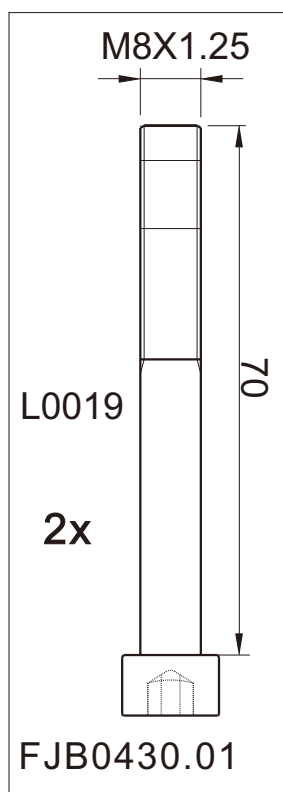
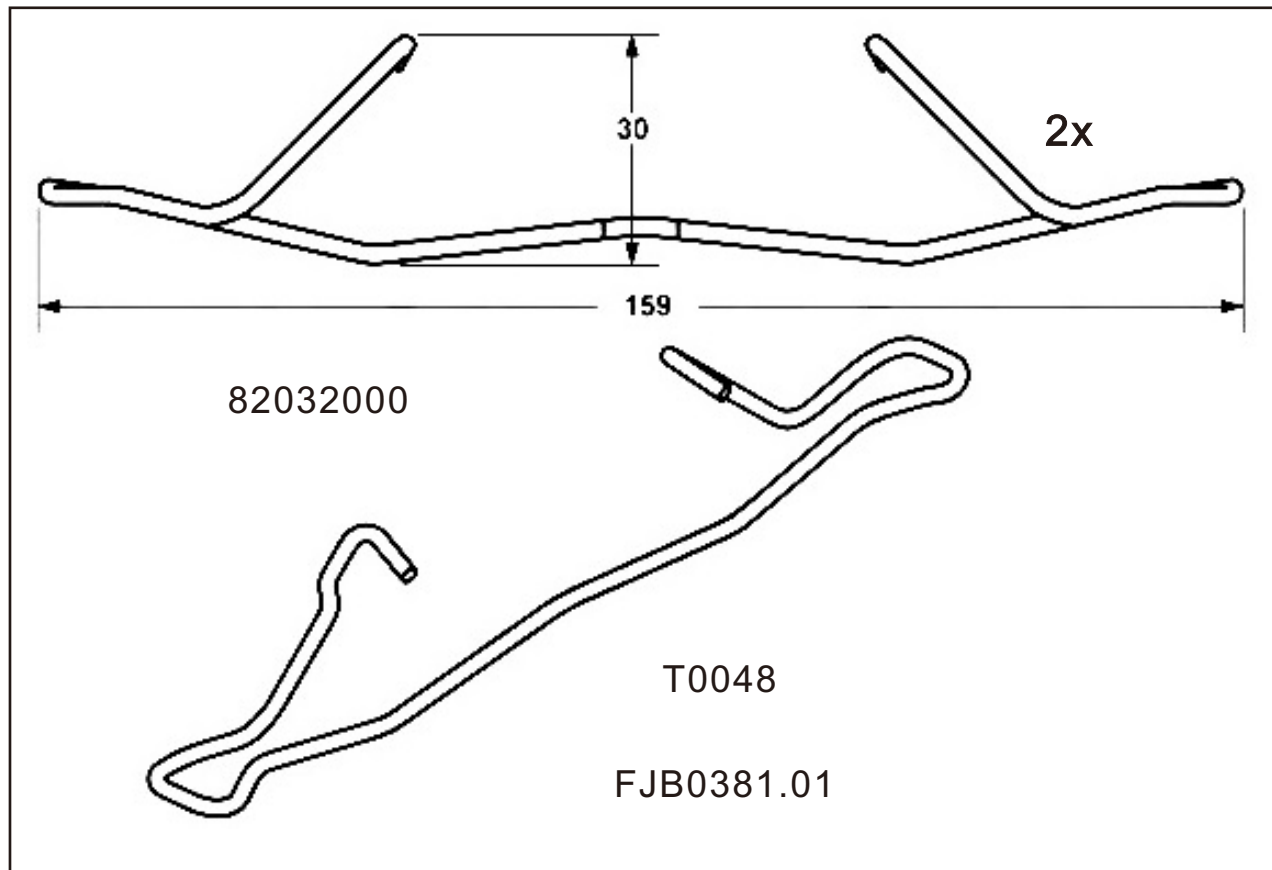
**Thickness
(mm)**





NOTE

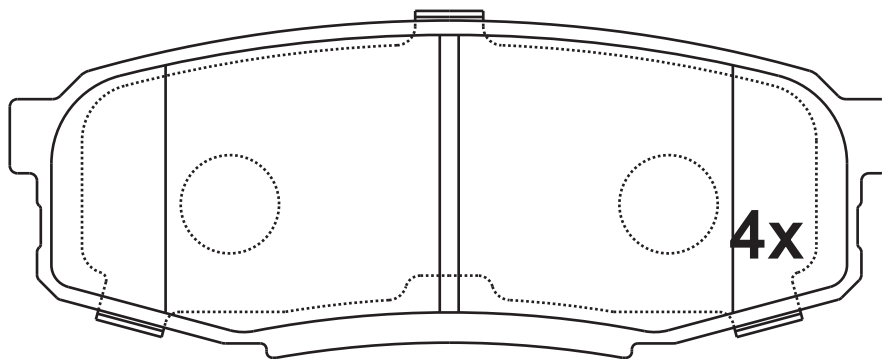
附件包

Accessory bag



SR0431.01

Dimension (mm)	Thickness (mm)		NOTE
116.2×44.6	17.3		4 identical;



24653

Apply for:

Lexus LX
Toyota Land Cruiser

Closed off-Road
Closed off-Road

11.07-
01.08-

SR0432.01

**Dimension
(mm)**

165×62.2

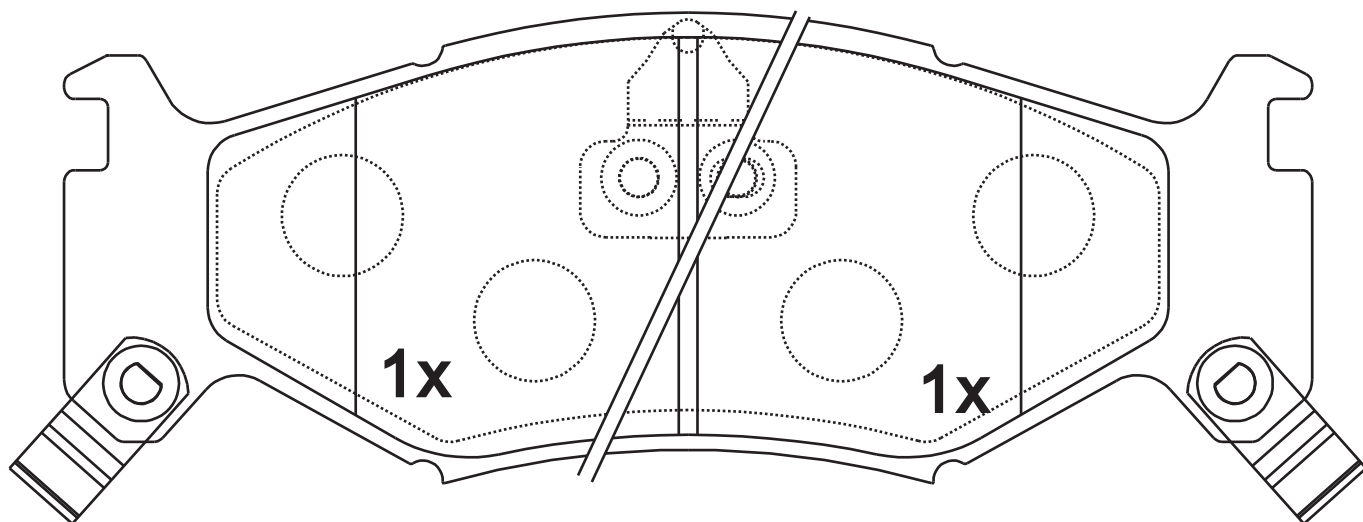
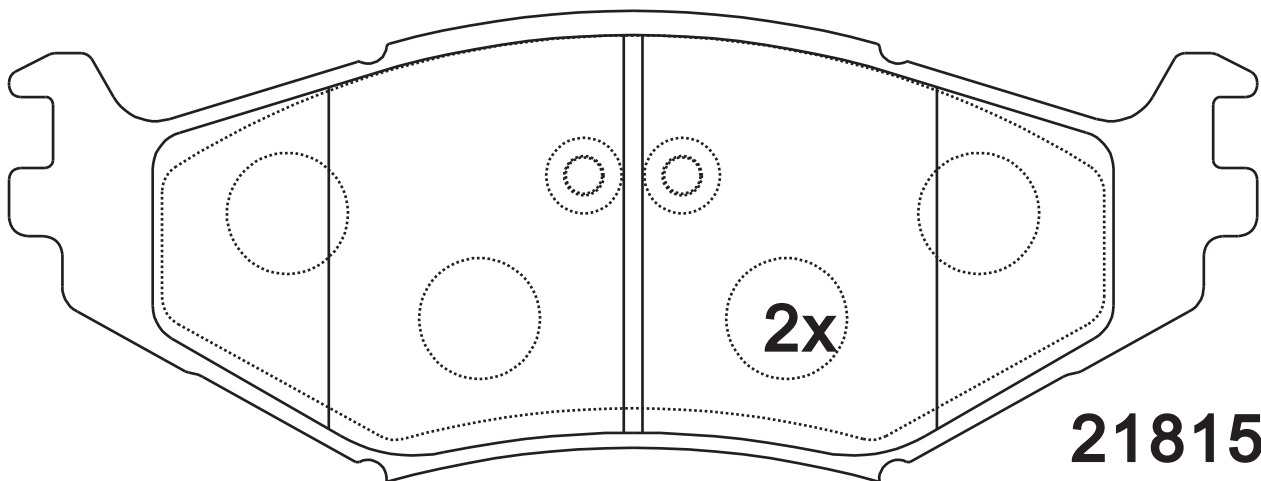
**Thickness
(mm)**

18.8/16.8



NOTE

4 identical, 1 with
acoustic indicator (left),
1 with acoustic indicator
(right).



21817

Apply for:

Chrysler Voyager II

MPV

08.90-09.95

SR0433.01

**Dimension
(mm)**

138×54.5

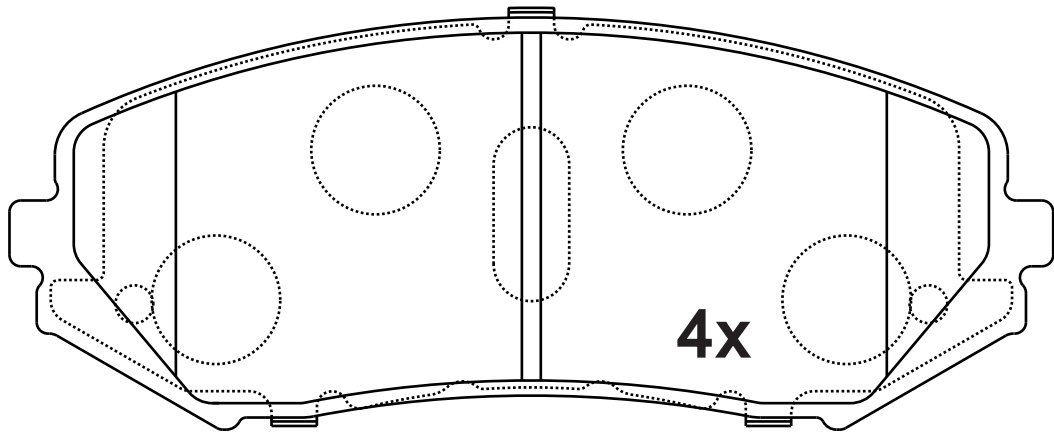
**Thickness
(mm)**

17



NOTE

4 identical;



24346

Apply for:

Suzuki Grand Vitara II Closed off-Road 04.05-

SR0434.01

**Dimension
(mm)**

156.6×60.9

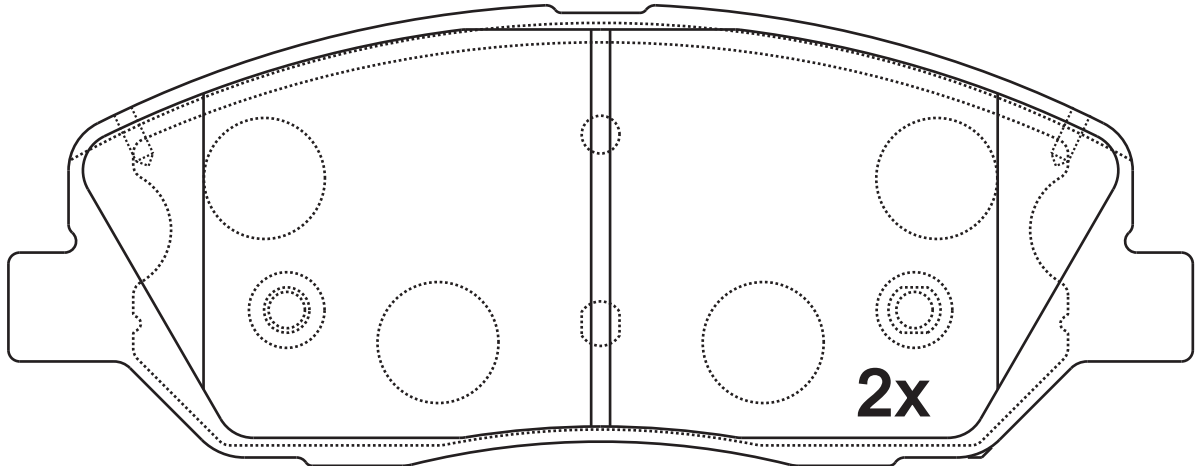
**Thickness
(mm)**

17

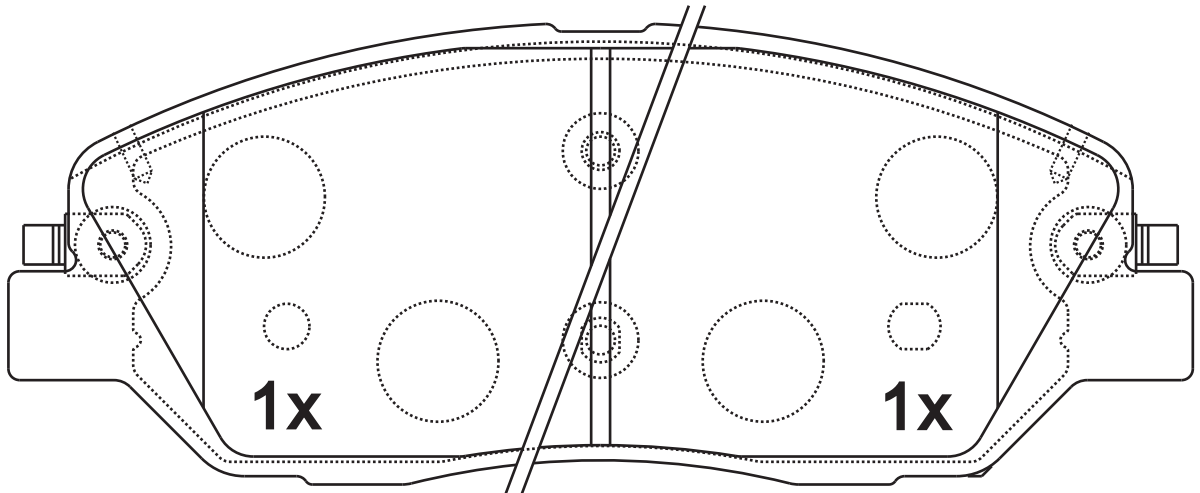


NOTE

2 identical; 2 identical,
1 with acoustic indicator
(left), 1 with acoustic
indicator (right).



24351



24568

24569

Apply for:

Hyundai Santa Fe II	Closed off-Road	03.06-
Hyundai Santa Fe III	Closed off-Road	09.12-
Hyundai Grand Santa Fe	Closed off-Road	06.13-
Kia Sorento II	Closed off-Road	11.09-

SR0434

**Dimension
(mm)**

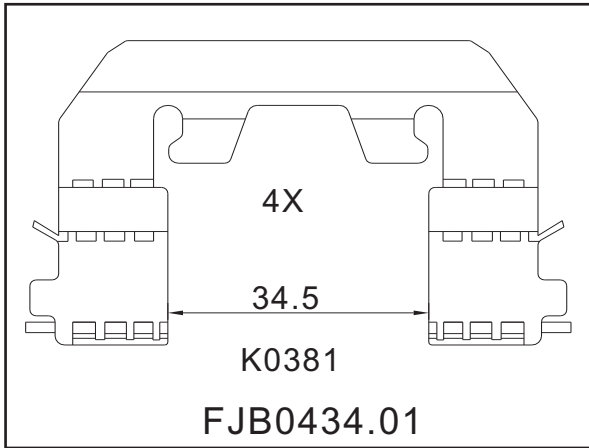
**Thickness
(mm)**



NOTE

附件包

Accessory kit



SR0435.01

**Dimension
(mm)**

139×56.4

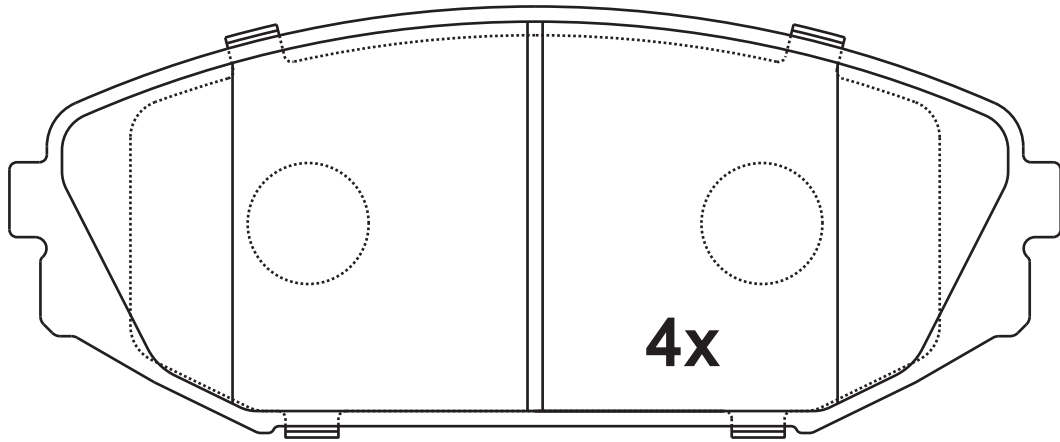
**Thickness
(mm)**

18



NOTE

4 identical;



24805

Apply for:

Honda Odyssey

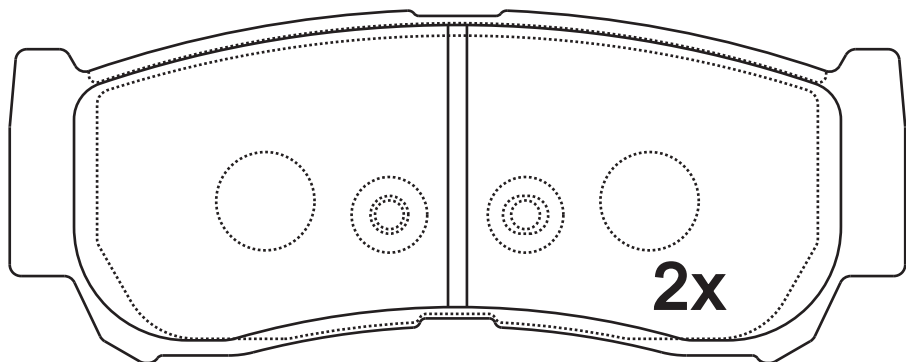
MPV

10.97-12.99

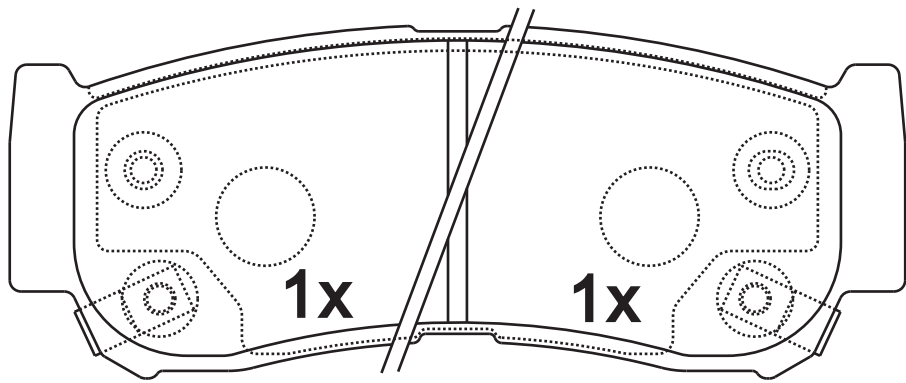
SR0436.01

Dimension (mm)	Thickness (mm)	
118.4×46.6	15.5	

NOTE
4 identical, 1 with acoustic indicator (left), 1 with acoustic indicator (right).



24488



24489

24490

Apply for:

Hyundai Santa Fe II

Closed off-Road

03.06-

SR0436

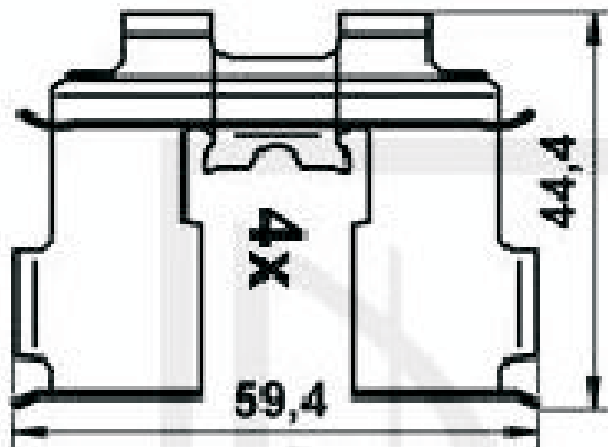
**Dimension
(mm)**

**Thickness
(mm)**




NOTE

**附件包
Accessory bag**

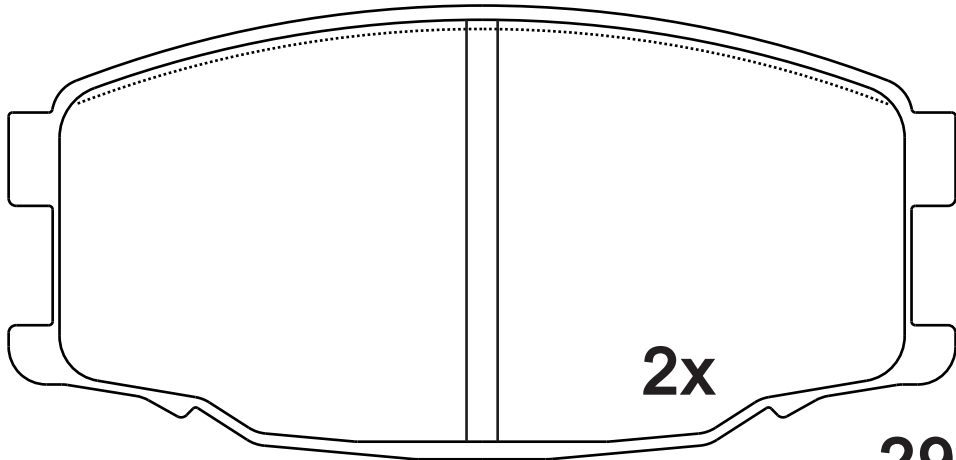


K0108
FJB0436.01

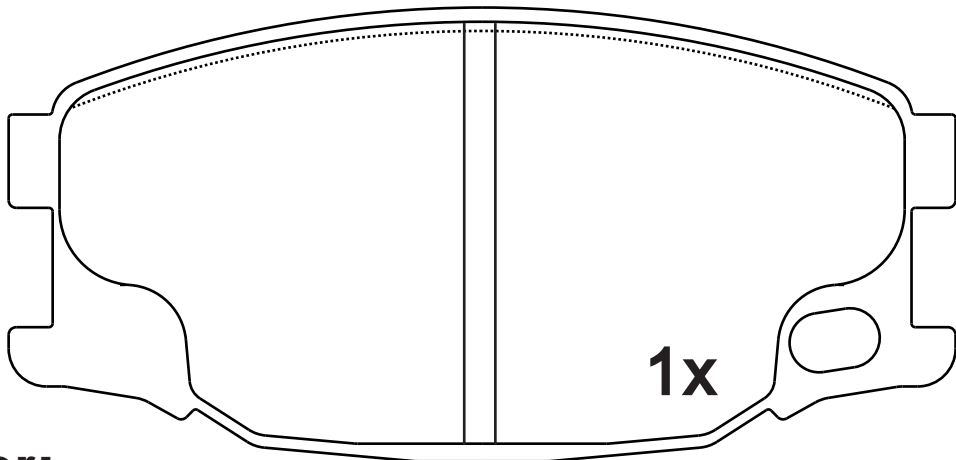
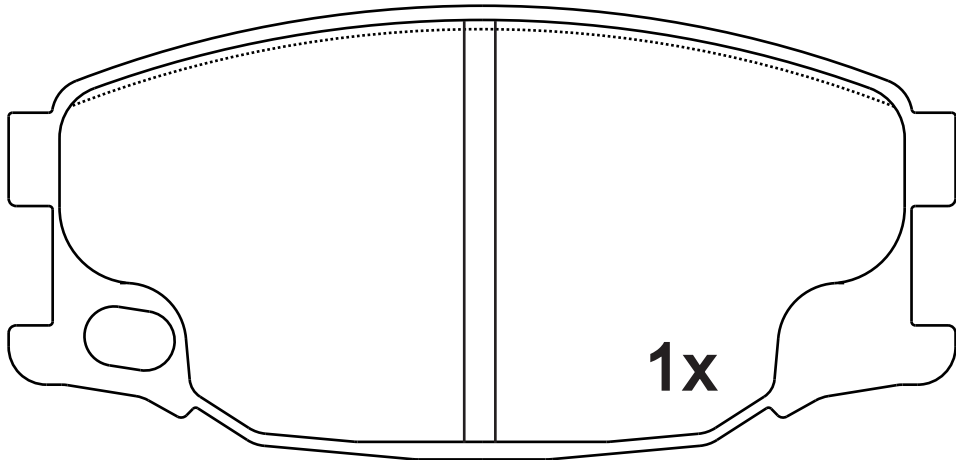
SR0437.01

Dimension (mm)	Thickness (mm)	
125×60	19.4	

NOTE
4 identical, 1 with hole
(right), 1 with hole (left).



29242



Apply for:

Mitsubishi Canter
Mitsubishi Canter

Platform
Dump Truck

08.96-
08.96-

SR0438.01

**Dimension
(mm)**

**Thickness
(mm)**



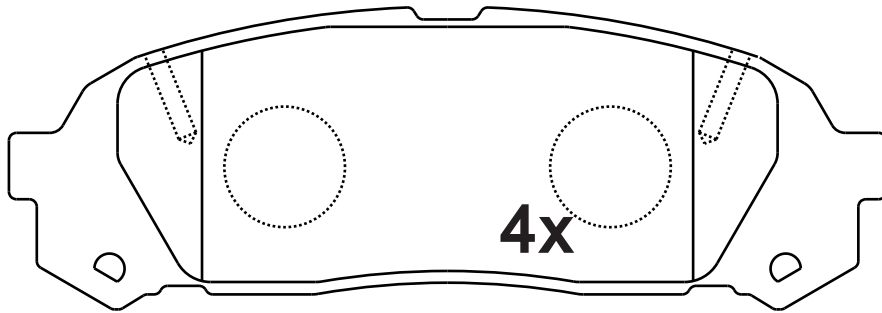
NOTE

4 identical;

116×40

17.5

无模具




D2163

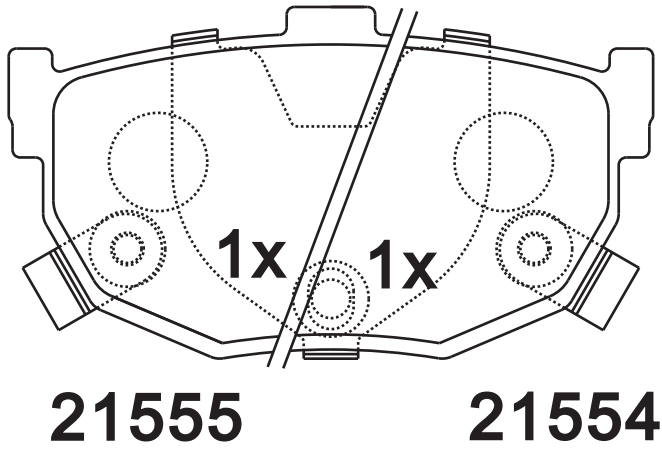
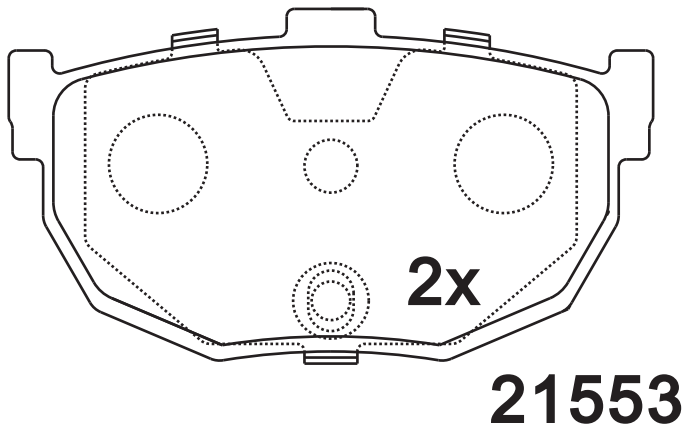
Apply for:

Toyota Cresta	Saloon	08.98-06.01
Toyota Crown	Saloon	08.98-08.01
Toyota Mark II	Saloon	09.96-00.10
Toyota Chaser	Saloon	09.96-06.01

SR0439.01

Dimension (mm)	Thickness (mm)	
85.2×46.5	14.2	

NOTE
4 identical, 1 with acoustic indicator (left), 1 with acoustic indicator (right).



Apply for:

Hyundai Coupe	Coupe	08.01-08.09
Hyundai Elentra	Hatchback	06.00-07.06
Hyundai Elentra	Saloon	05.03-07.06
Hyundai Lantra II	Saloon	11.95-09.00
Hyundai Lantra II	Estate	02.96-10.00
Kia Cerato	Saloon	04.04-
Kia Cerato	Hatchback	04.04-

SR0439

**Dimension
(mm)**

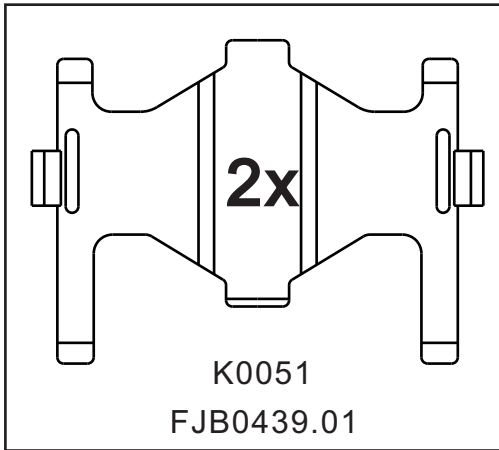
**Thickness
(mm)**



NOTE

附件包

Accessory kit



SR0440.01

**Dimension
(mm)**

137.4×63.5

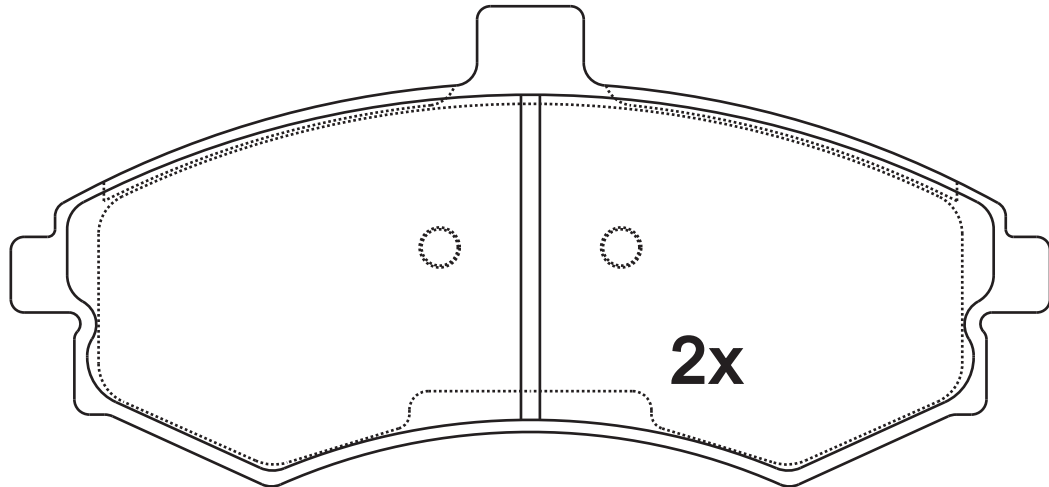
**Thickness
(mm)**

17.4

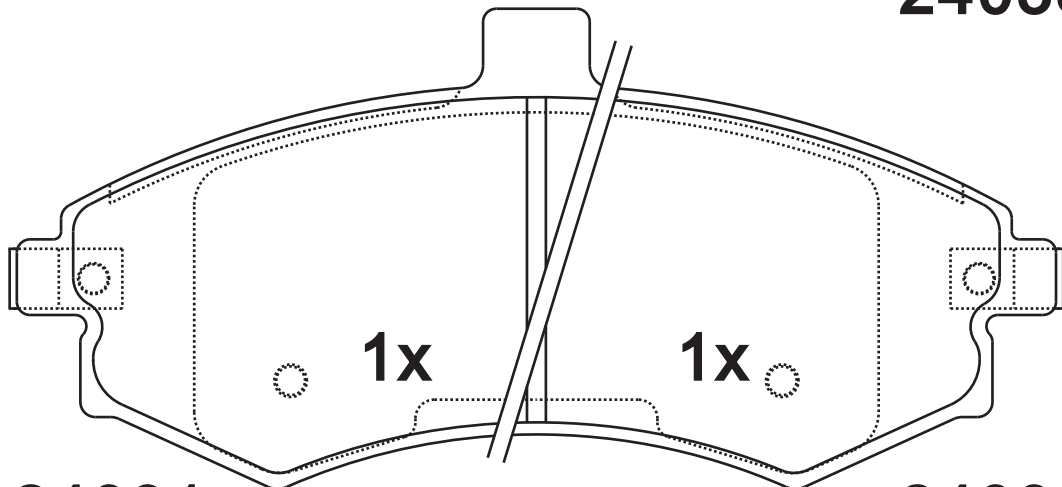


NOTE

4 identical, 1 with acoustic indicator (left), 1 with acoustic indicator (right).



24033



24031

24032

Apply for:

Hyundai Elentra
Hyundai Elentra
Hyundai Matrix

Hatchback
Saloon
MPV

06.00-07.06
06.00-07.06
06.01-08.10

SR0441.01

**Dimension
(mm)**

131.5×56.2

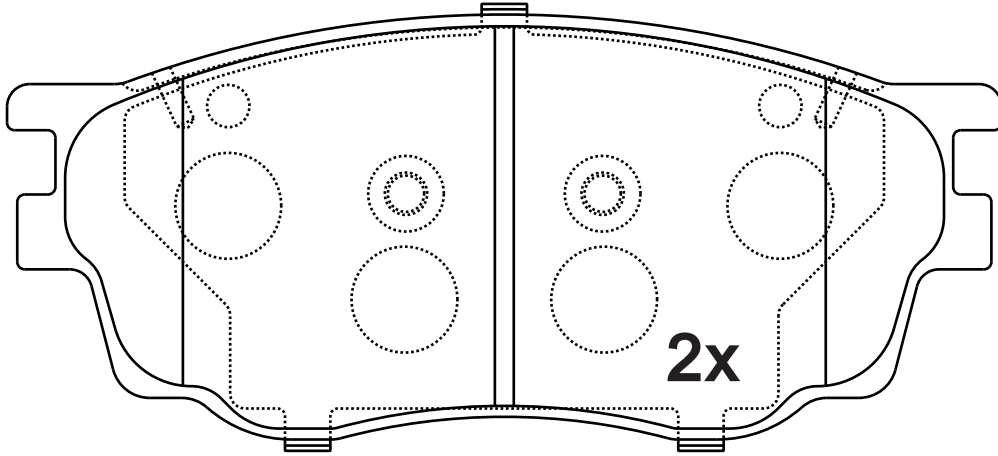
**Thickness
(mm)**

16.8

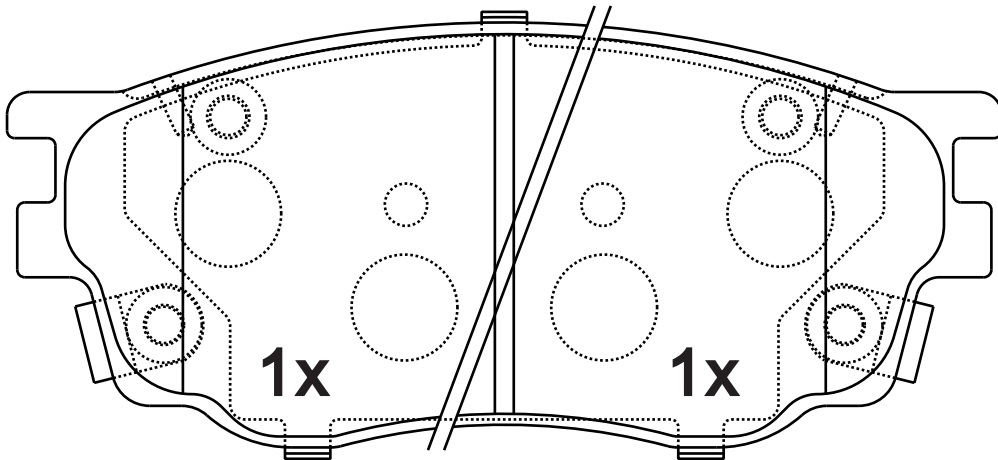


NOTE

4 identical, 1 with acoustic indicator (left), 1 with acoustic indicator (right).



24246



24249

24248

Apply for:

Mazda 6
Mazda 6

Hatchback
Saloon

08.02-08.07
08.02-08.07

SR0442.01

**Dimension
(mm)**

**Thickness
(mm)**

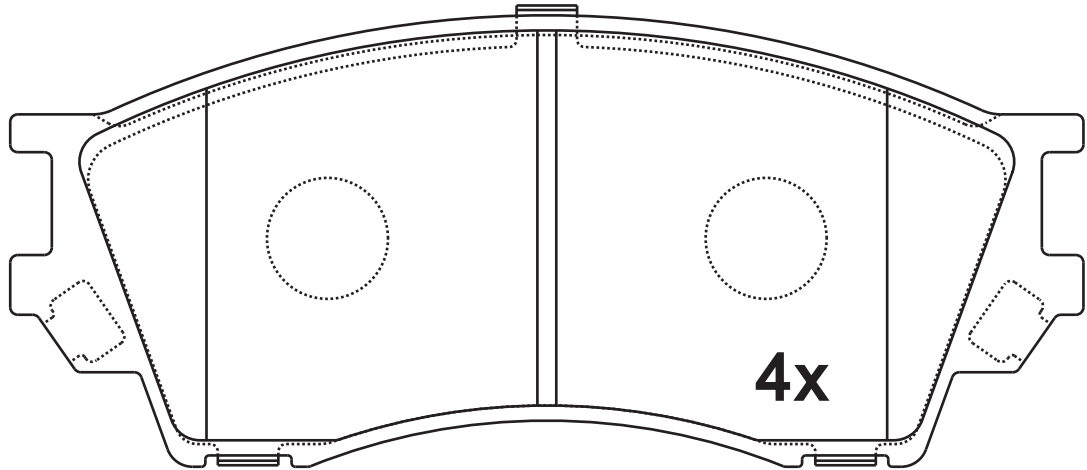


NOTE

4 identical;

141.9×59.7

16.8



21571



Apply for:

Mazda Xedos 9

Saloon

07.93-

SR0443.01

**Dimension
(mm)**

139×55.2

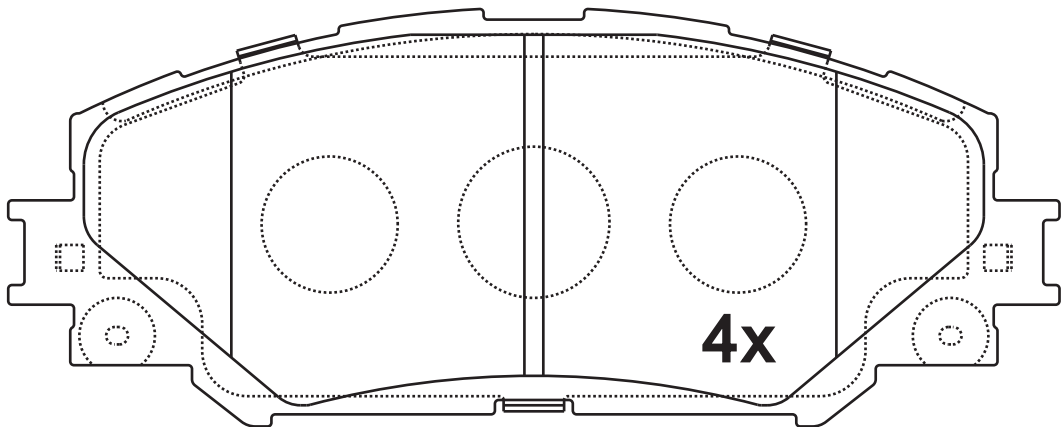
**Thickness
(mm)**

17.5



NOTE

4 identical;



24336



Apply for:

Toyota Auris

Hatchback



05.09-

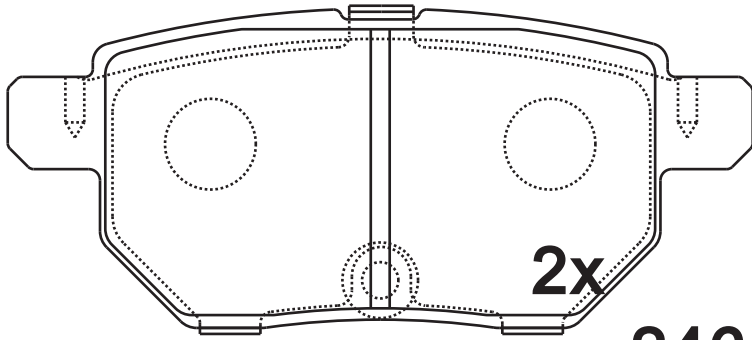
Toyota Urban Cruiser

Hatchback

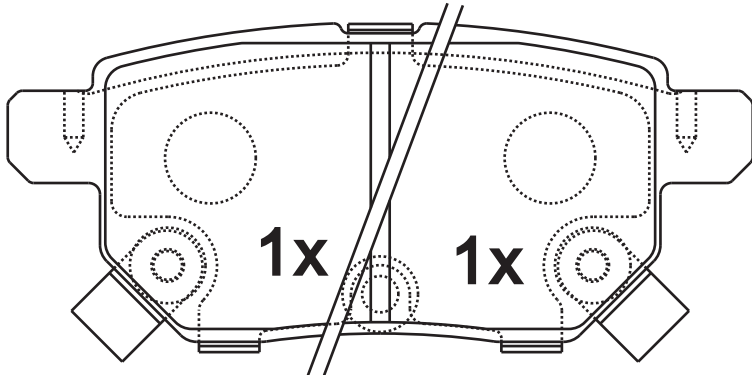
04.09-

SR0444.01

Dimension (mm)	Thickness (mm)		NOTE
98.5×42.1	15		4 identical, 1 with acoustic indicator (left), 1 with acoustic indicator (right).



24612



24610

24611

Apply for:

Lexus CT	Hatchback	12.10-
Toyota Auris	Hatchback	03.07-
Toyota Urban Cruiser	Hatchback	04.09-

SR0444.02

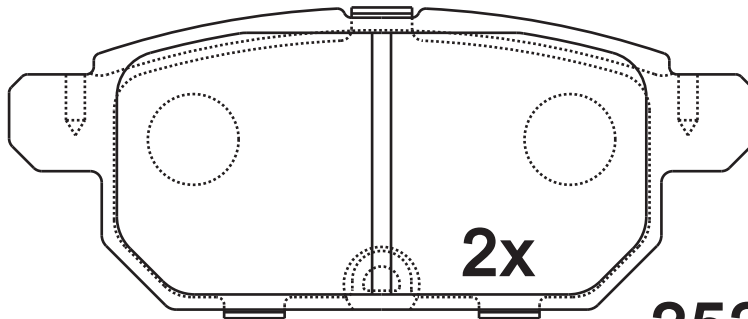
**Dimension
(mm)**

**Thickness
(mm)**

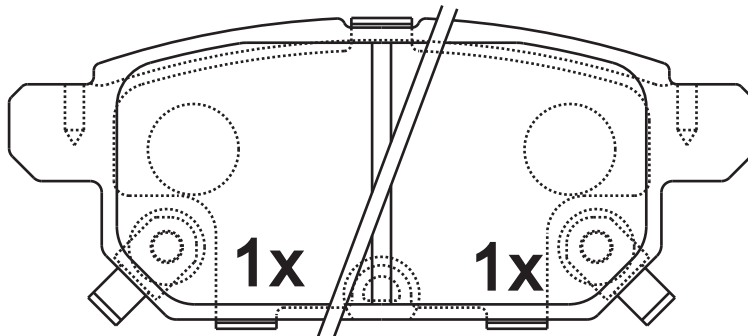


NOTE

**4 identical, 1 with
acoustic indicator (left),
1 with acoustic indicator
(right).**



25258



25260

25259

Apply for:

Nissan (Dongfeng) Sunny

Suzuki Swift Iv

Suzuki (Changan) Sx4 S-Cross

2010/12-

2010/10-

2013/11-

SR0444

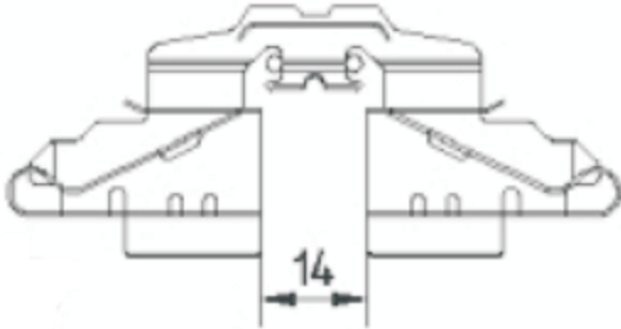
**Dimension
(mm)**

**Thickness
(mm)**



NOTE

**附件包
Accessory bag**



x4

DX0061

FJB0444.01

SR0445.01

**Dimension
(mm)**

138.6×59.1

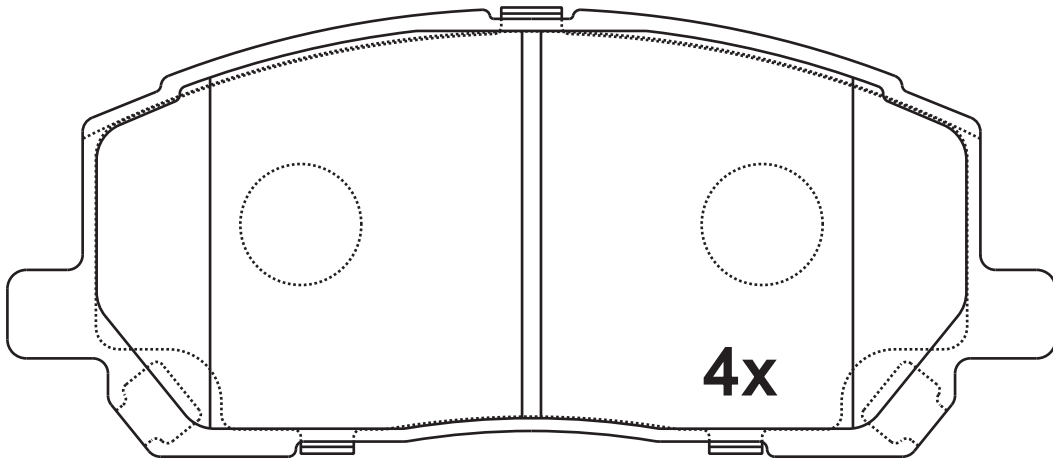
**Thickness
(mm)**

17.9



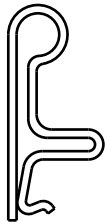
NOTE

4 identical;



4x

23703



2x

Apply for:

Lexus RX

Closed off-Road

10.00-05.03

SR0446.01

**Dimension
(mm)**

156.2×54.2

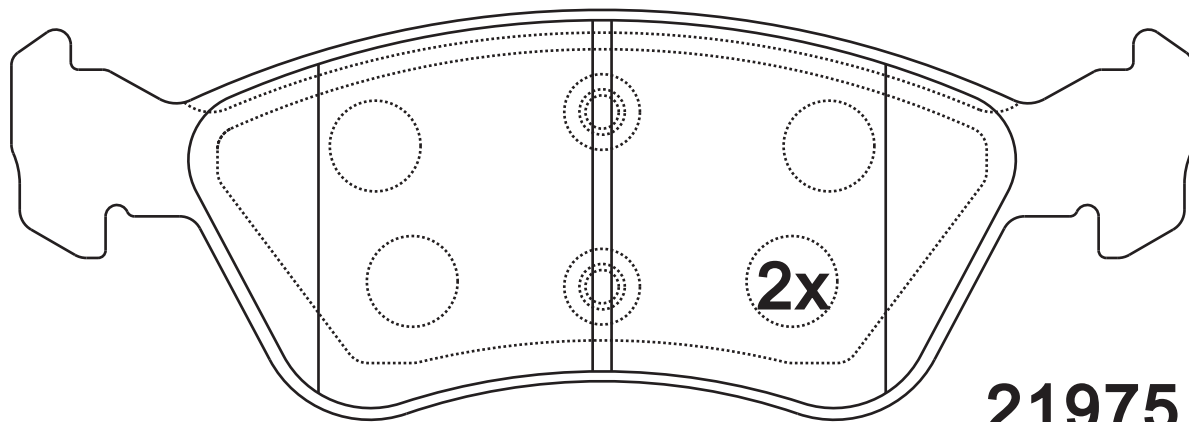
**Thickness
(mm)**

18.2

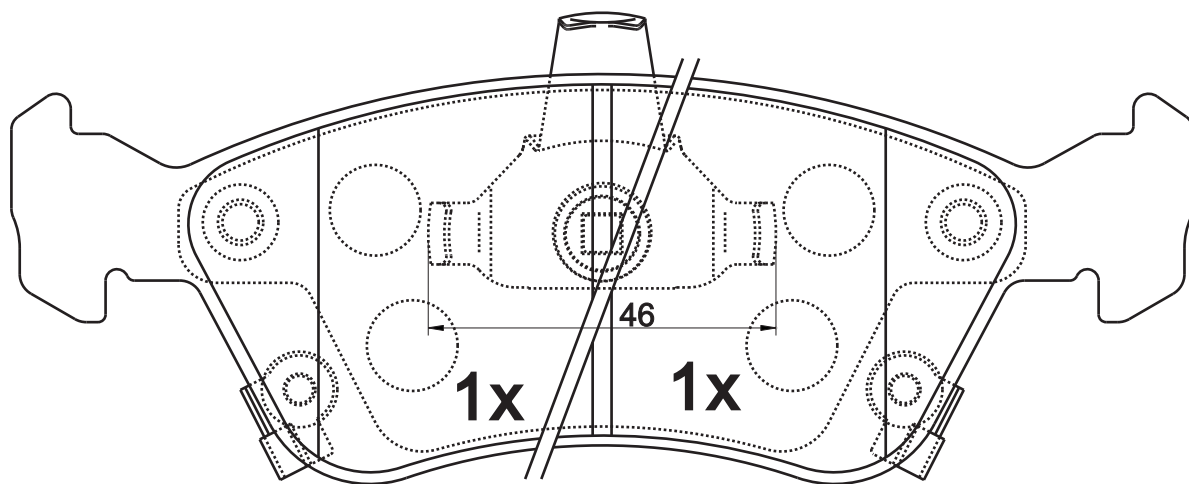


NOTE

4 identical, 2 with spring



21975



21976

21977

Apply for:

Toyota Avensis
Toyota Avensis
Toyota Avensis

Saloon
Hatchback
Estate

09.97-02.03
09.97-02.03
09.97-02.03

SR0446

**Dimension
(mm)**

**Thickness
(mm)**

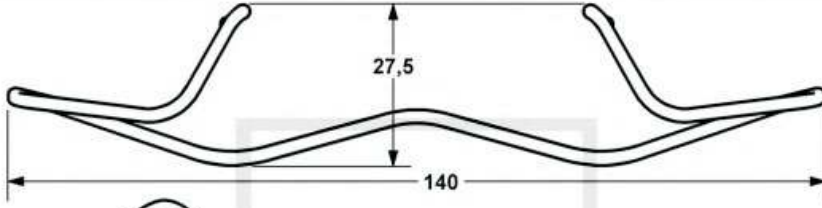


NOTE

附件包

Accessory bag

11.8116-0340.1 390595



82503500

T0050

FJB0446.01

SR0447.01

**Dimension
(mm)**

117.4×58.6

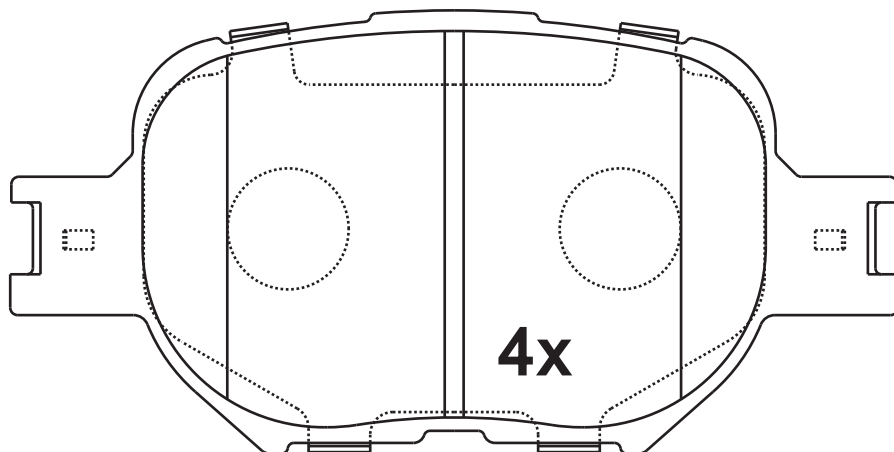
**Thickness
(mm)**

17.5



NOTE

4 identical;



23526



B0277

Apply for:

Toyota Corolla

Saloon

08.02-07.07

SR0447.02

**Dimension
(mm)**

117.4×58.6

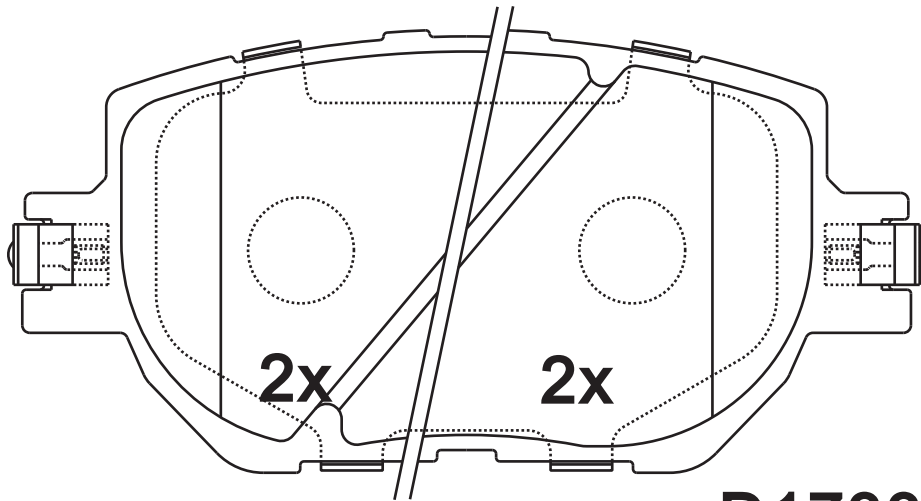
**Thickness
(mm)**

18



NOTE

4 identical;




D1733

Apply for:

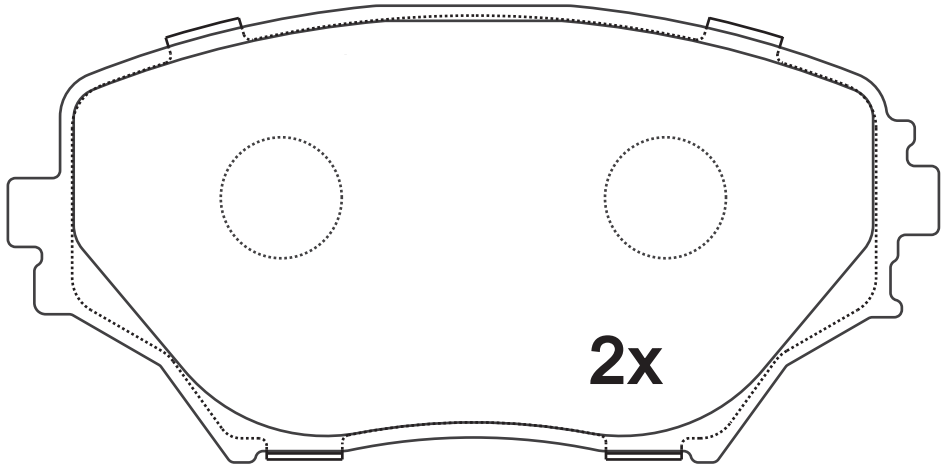
Lexus Is lii
Toyota Crown Saloon
Toyota (Faw) Crown Royal (S180)

2013/04-
2003/09-2008/12
2005/02-2010/12

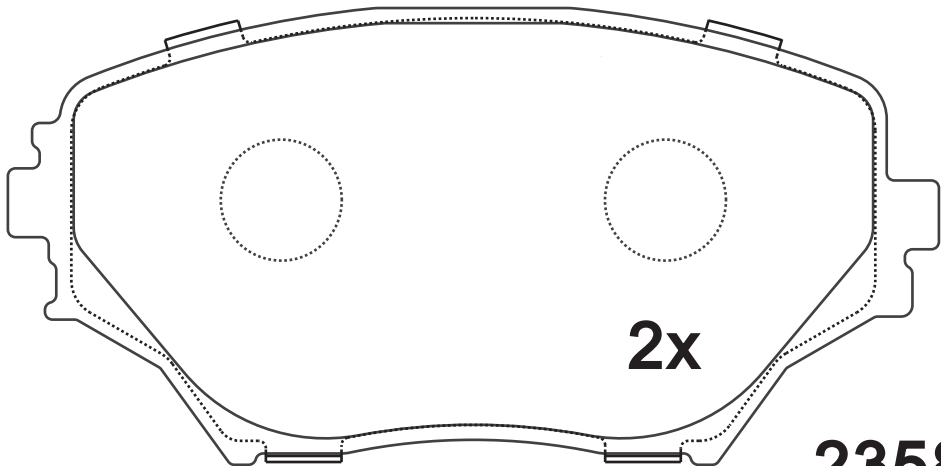
SR0448.01

Dimension (mm)	Thickness (mm)	
123.1×60.4	17.4	

NOTE
2 identical;2 identical;



23585



23586



Apply for:

Toyota RAV 4 II

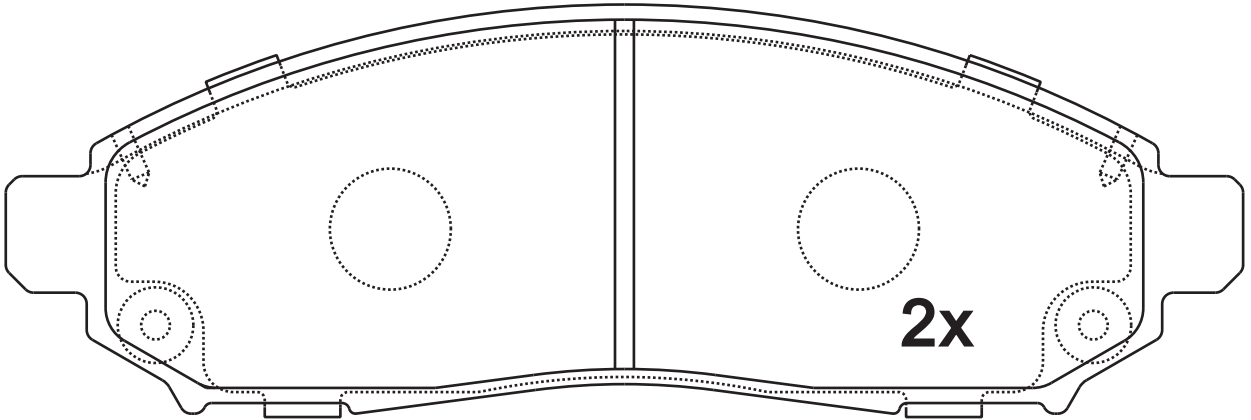
Closed off-Road

06.00-11.05

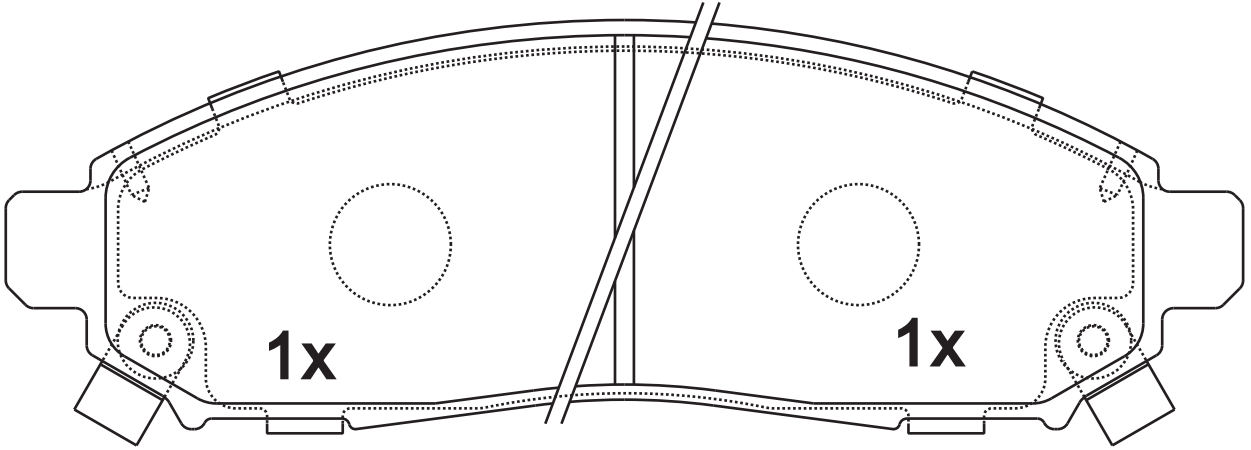
SR0449.01

Dimension (mm)	Thickness (mm)	
163.6×54.1	16.7	

NOTE
4 identical. 1 with acoustic indicator (left), 1 with acoustic indicator (right) .



24227




24228

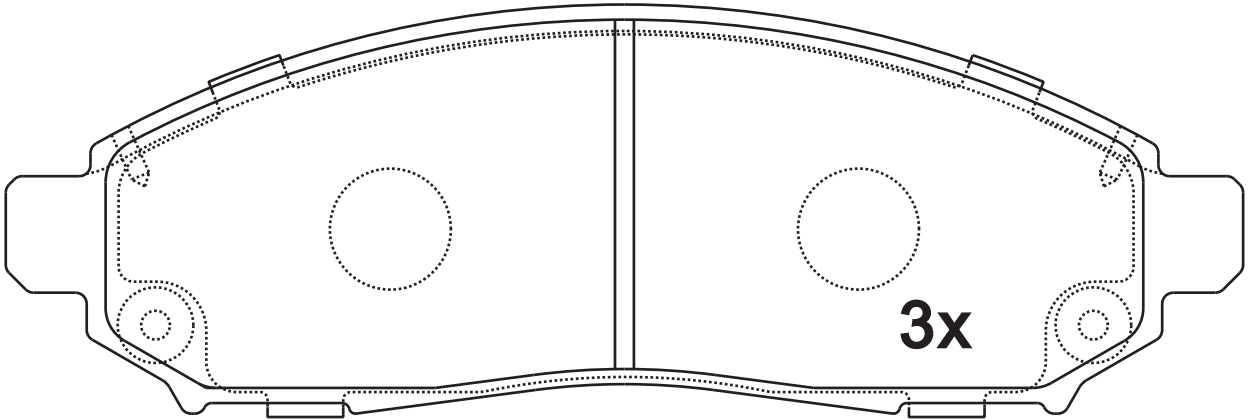
Apply for:

Nissan Navara	Pickup	07.05-
Nissan Pathfinder	Closed off-Road	03.05-

SR0449.02

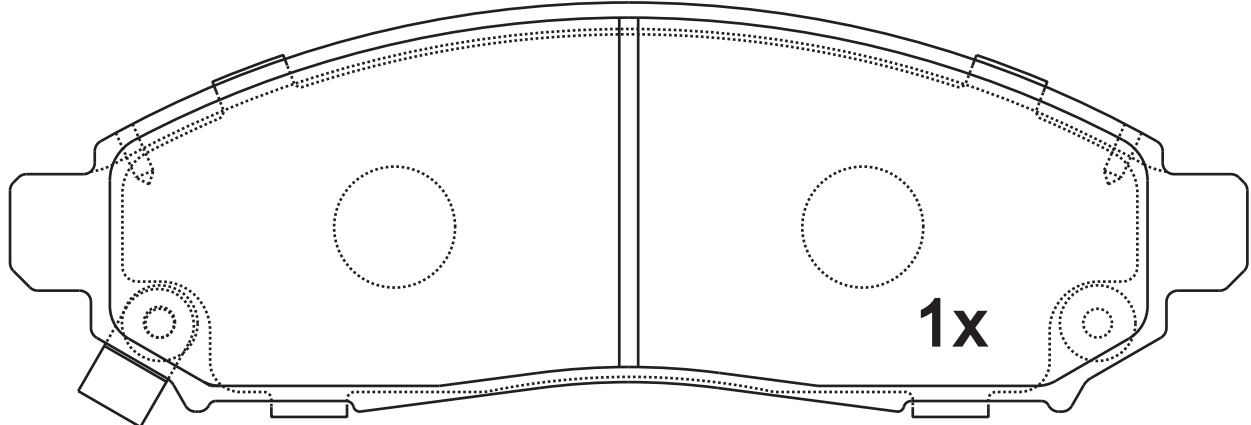
Dimension (mm)	Thickness (mm)	
163.6×54.1	16.7	

NOTE
4 identical. 1 with acoustic indicator (left), 1 with acoustic indicator (right).



3x

24227



1x

24228

Apply for:

Nissan Navara	Pickup	07.05-
Nissan Pathfinder	Closed off-Road	03.05-

SR0450.01

**Dimension
(mm)**

154.7×58.4

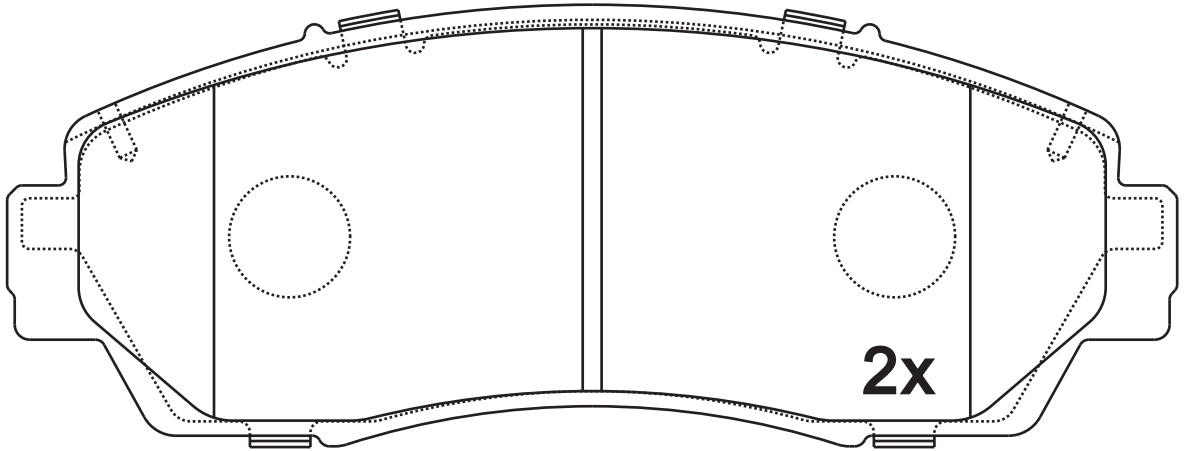
**Thickness
(mm)**

18

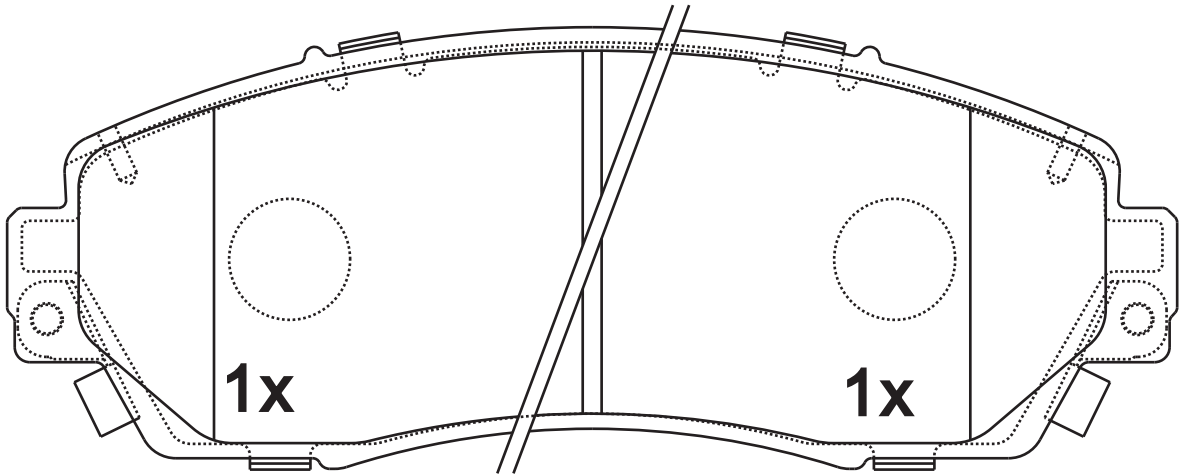


NOTE

4 identical, 1 with acoustic indicator (left), 1 with acoustic indicator (right).



24342



25352

25351



Apply for:

Honda CR-V III
Honda CR-V IV

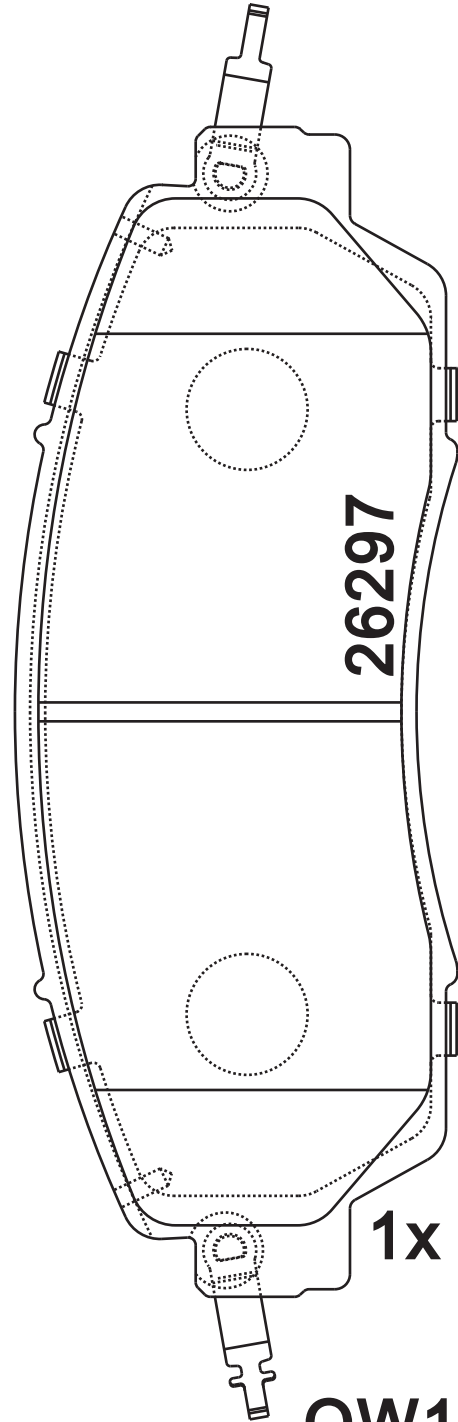
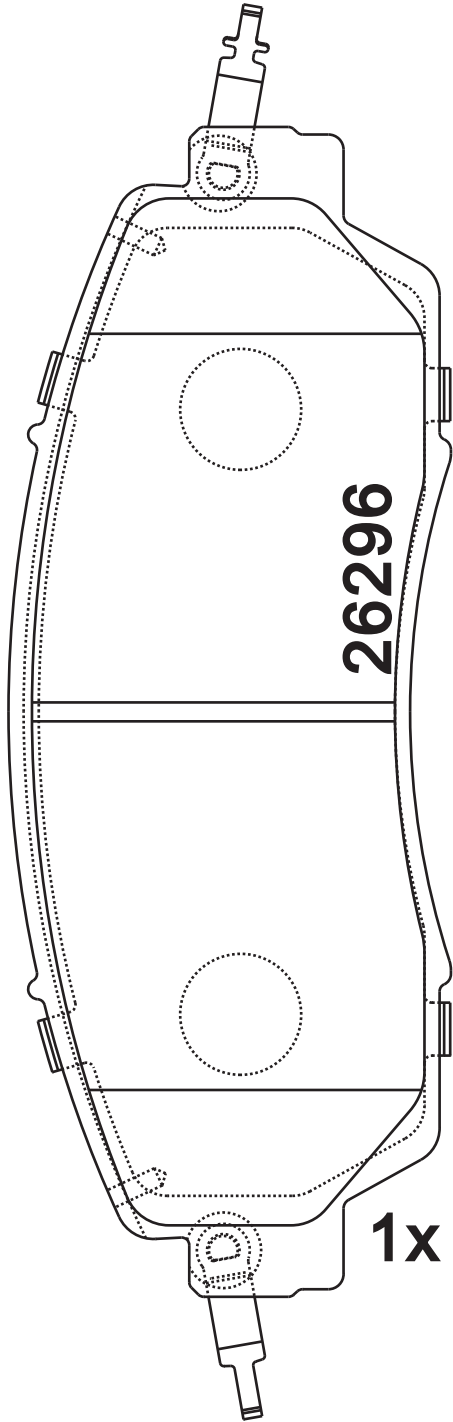
Closed off-Road
Closed off-Road

01.07-
10.12-

SR0450.02

Dimension (mm)	Thickness (mm)	
154.7×58.4	18	

NOTE
4 identical, 1 with
acoustic indicator (left),
1 with acoustic indicator
(right).



QW13303

Apply for:

本田冠道-2017

SR0450.02

**Dimension
(mm)**

154.7×58.4

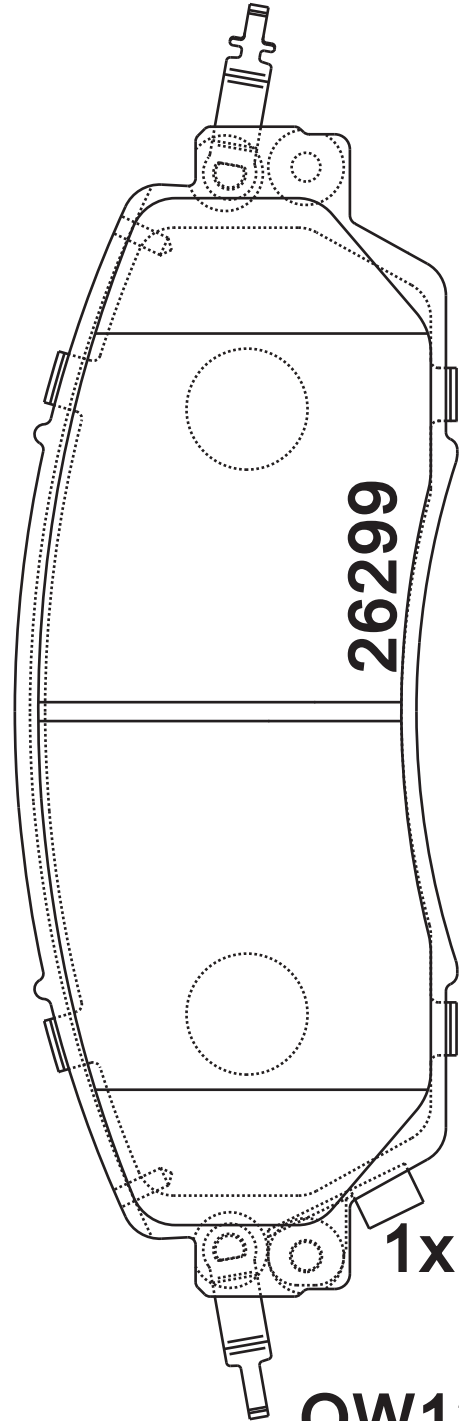
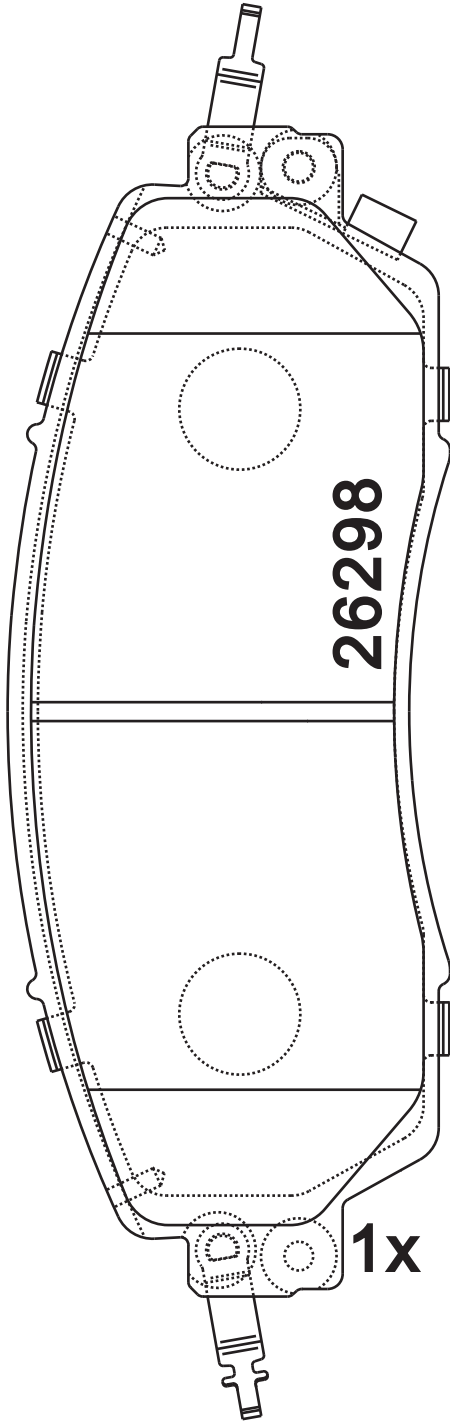
**Thickness
(mm)**

18



NOTE

4 identical, 1 with
acoustic indicator (left),
1 with acoustic indicator
(right).



QW13303

Apply for:

本田冠道-2017

SR0451.01

**Dimension
(mm)**

**Thickness
(mm)**



NOTE

4 identical;

126.8×49.1

14



取消跟292.01一样

Apply for:

Toyota Avanza

MPV

2007-2010

SR0452.01

**Dimension
(mm)**

143.3×58.4

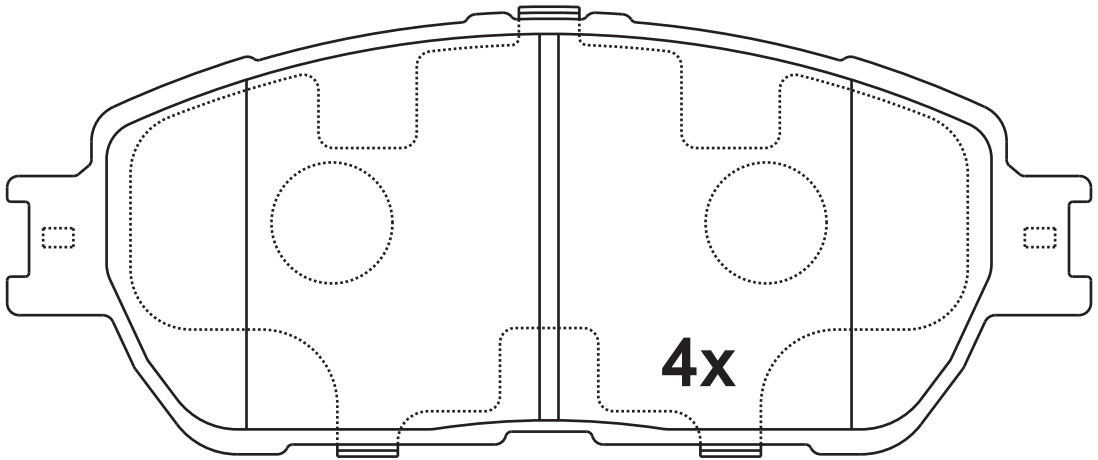
**Thickness
(mm)**

16



NOTE

4 identical;



23855

Apply for:

Lexus ES	Saloon	08.01-10.06
Toyota Camry	Saloon	08.01-
Toyota Previa	Saloon	06.00-

SR0453.01

**Dimension
(mm)**

145×58.3

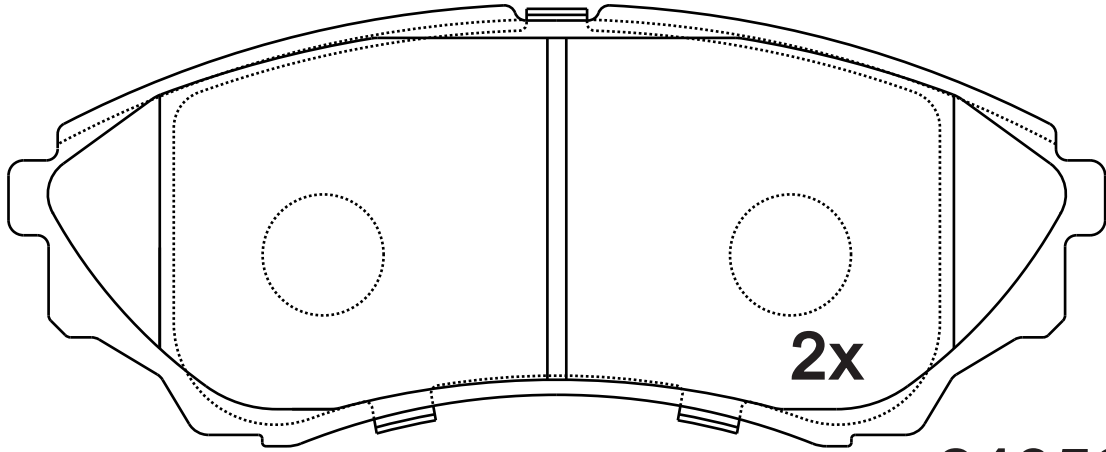
**Thickness
(mm)**

16



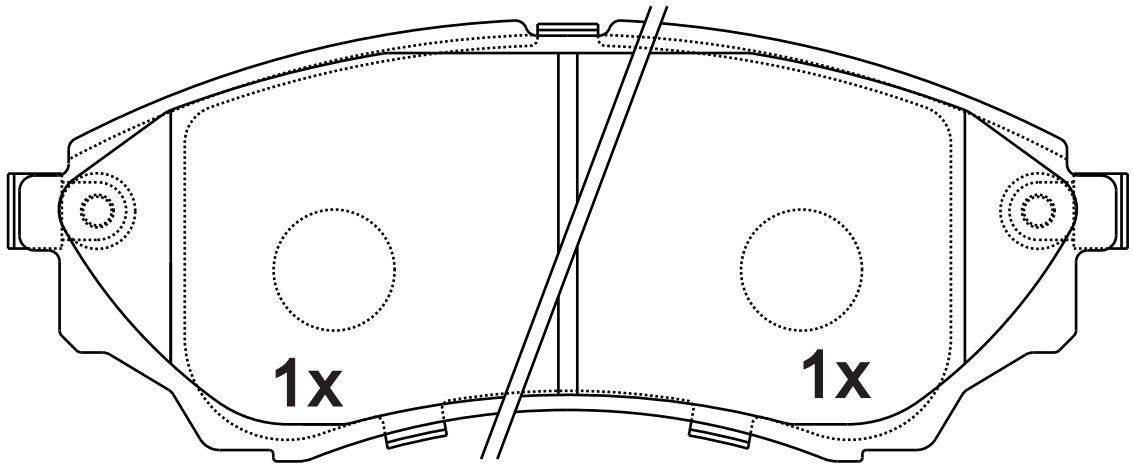
NOTE

4 identical, 1 with acoustic indicator (left), 1 with acoustic indicator (right).



2x

24353



1x

1x

24672

Apply for:

Mazda BT-50
Ford Ranger

Pickup
Pickup

12.06-
10.99-06.06

SR0453.02

**Dimension
(mm)**

145×58.3

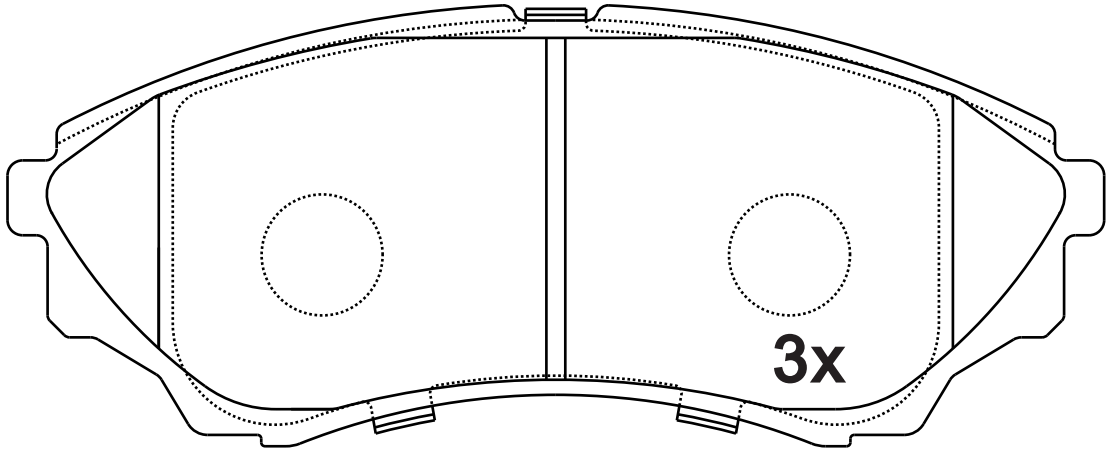
**Thickness
(mm)**

16

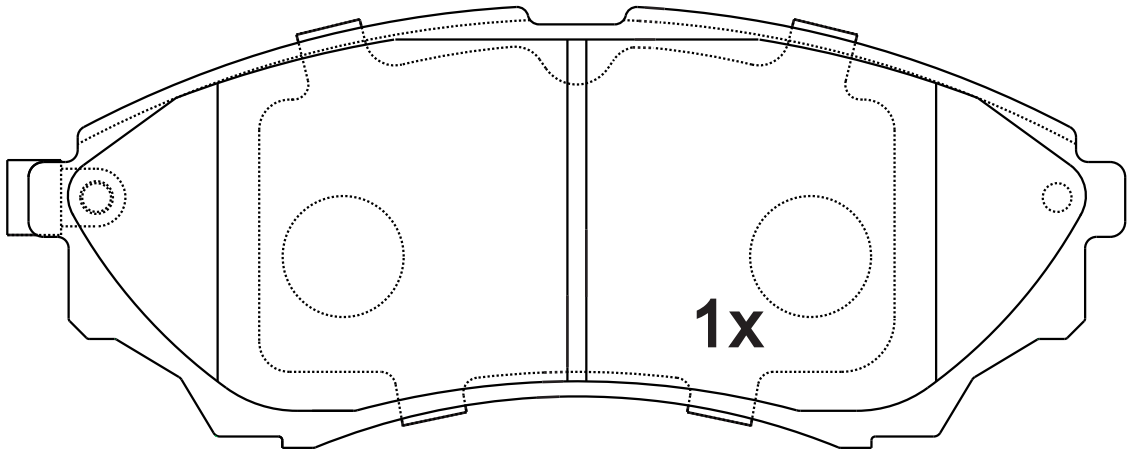


NOTE

4 identical, 1 with
acoustic indicator(left);



24353



24672

Apply for:

Mazda BT-50
Ford Ranger

Pickup
Pickup

12.06-
10.99-06.06

SR0453

**Dimension
(mm)**

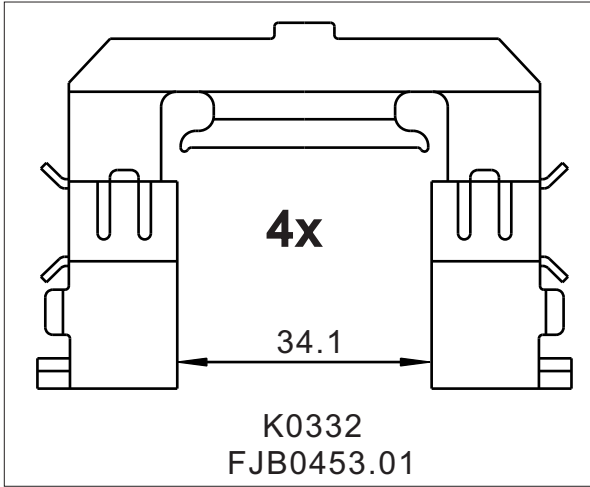
**Thickness
(mm)**



NOTE

附件包

Accessory kit



SR0454.01

**Dimension
(mm)**

164.2×56.8

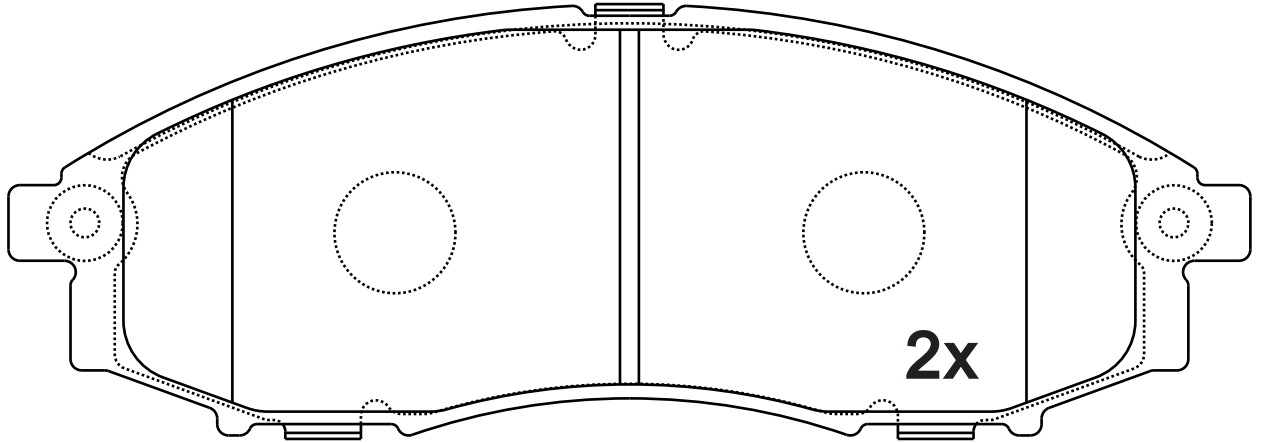
**Thickness
(mm)**

16.9

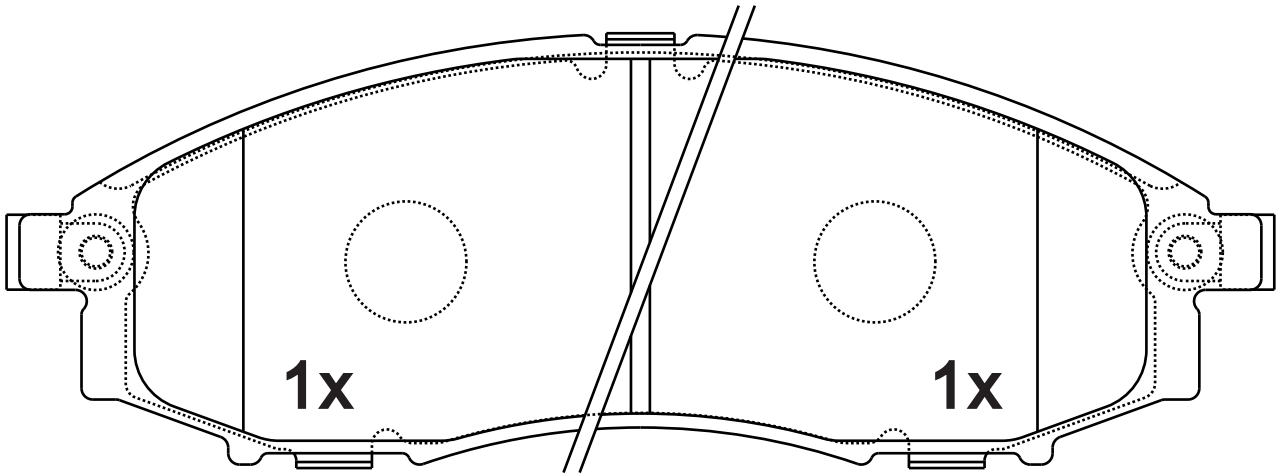


NOTE

4 identical, 1 with acoustic indicator (left), 1 with acoustic indicator (right).



23970



23971

23972



Apply for:

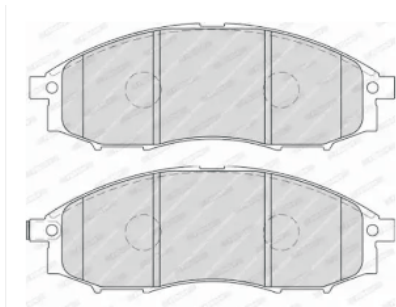
Nissan Pickup

Pickup

03.02-

SR0454.02

Dimension (mm)	Thickness (mm)		NOTE 4 identical, 1 with acoustic indicator(left),
164.2×56.8	16.9		



3x 23970

1x 23971

Apply for:

NISSAN NAVARA 2001-
NISSAN PICK UP (D22) 3.0 1997-2001

SR0455.01

**Dimension
(mm)**

136.7×58
136.7×61.3

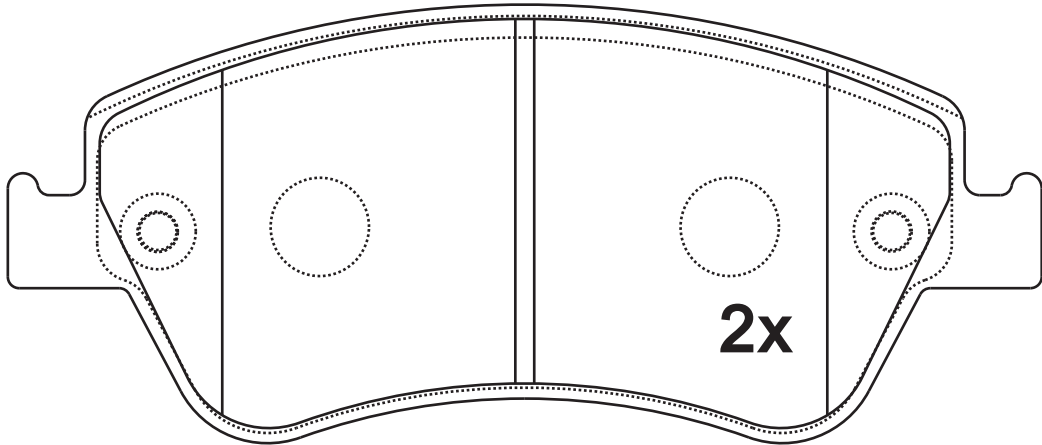
**Thickness
(mm)**

18.5

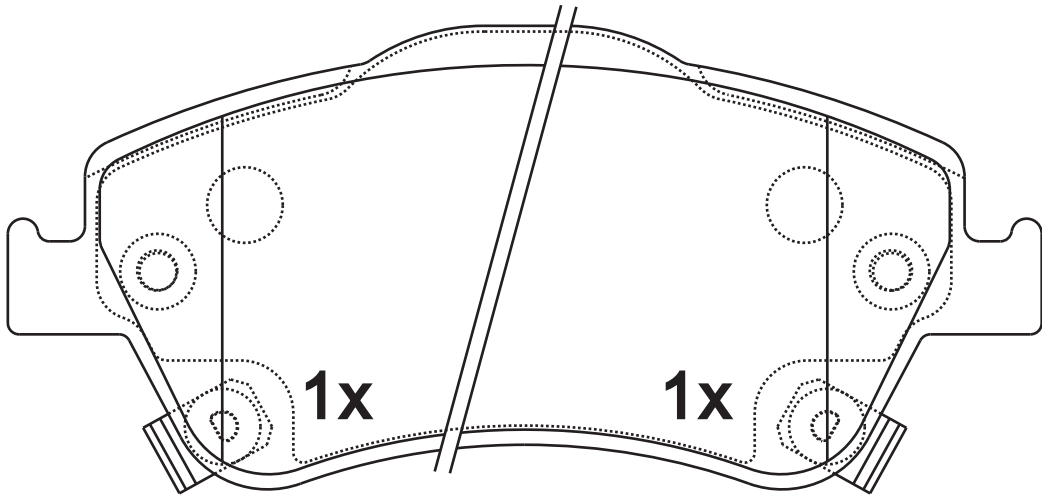


NOTE

2 identical, 1 with acoustic indicator (left), 1 with acoustic indicator (right); 2 identical.



24122



24591

24590

Apply for:

Toyota Auris

Hatchback

03.07-

SR0455

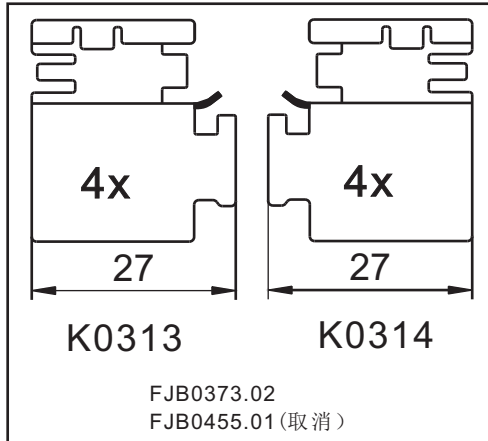
**Dimension
(mm)**

**Thickness
(mm)**





NOTE

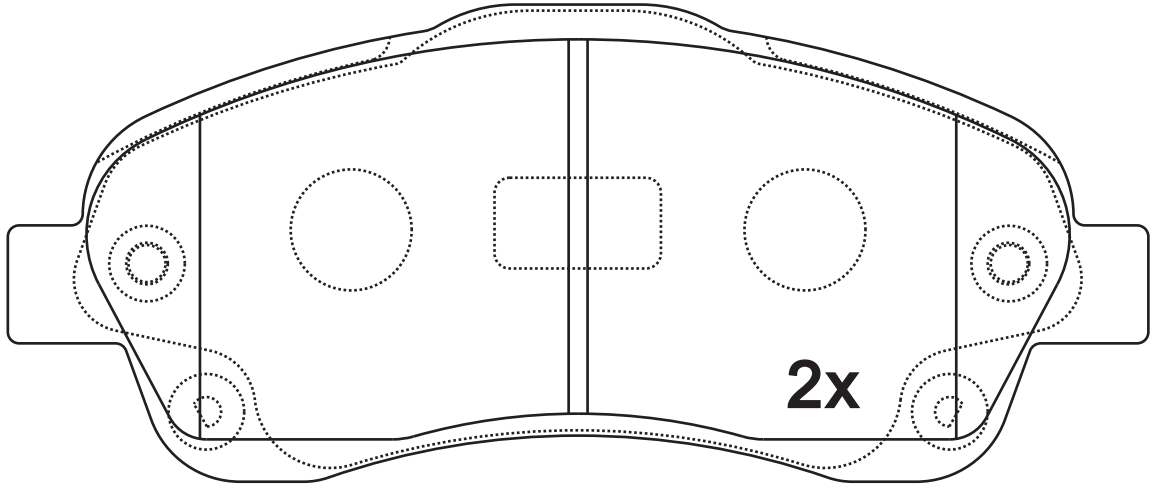
**附件包
Accessory bag**



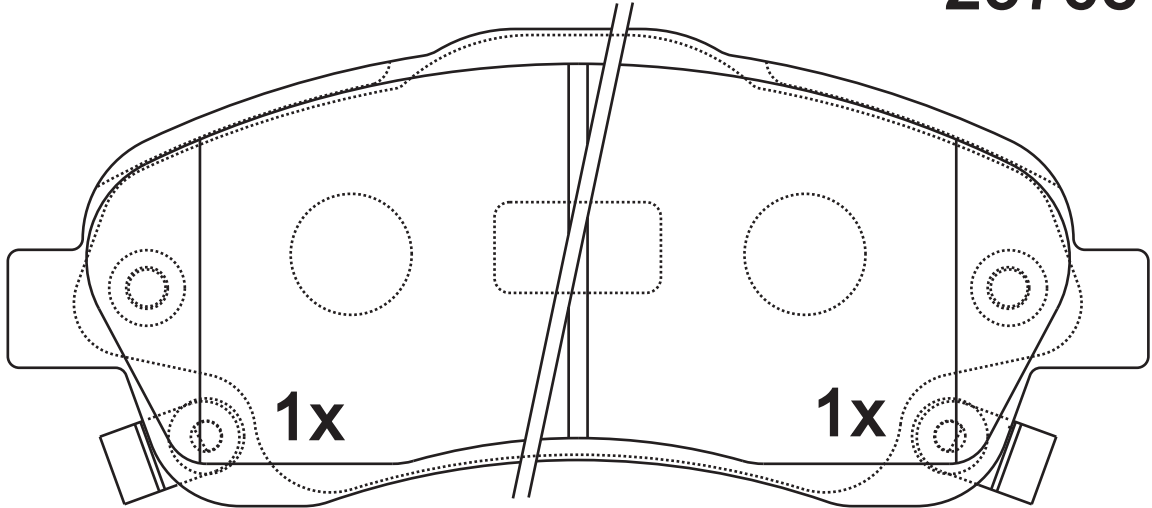
SR0456.01

Dimension (mm)	Thickness (mm)	
150.8×63.1	19.3	

NOTE
4 identical, 1 with acoustic indicator (left), 1 with acoustic indicator (right).



23768




23481

23480

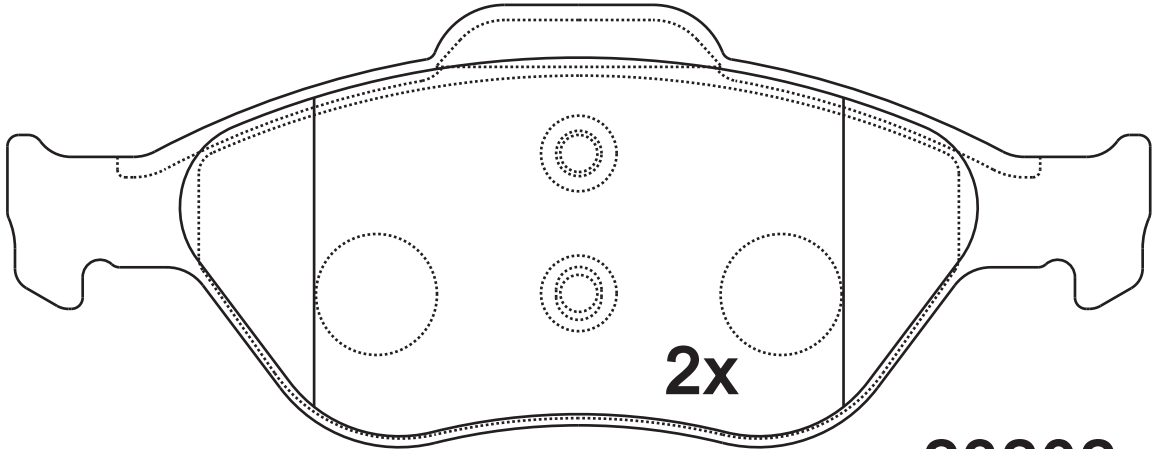
Apply for:

Toyota Avensis	Hatchback	04.03-
Toyota Avensis	Estate	04.03-
Toyota Avensis	Saloon	04.03-
Toyota Corolla Verso	MPV	09.01-03.09

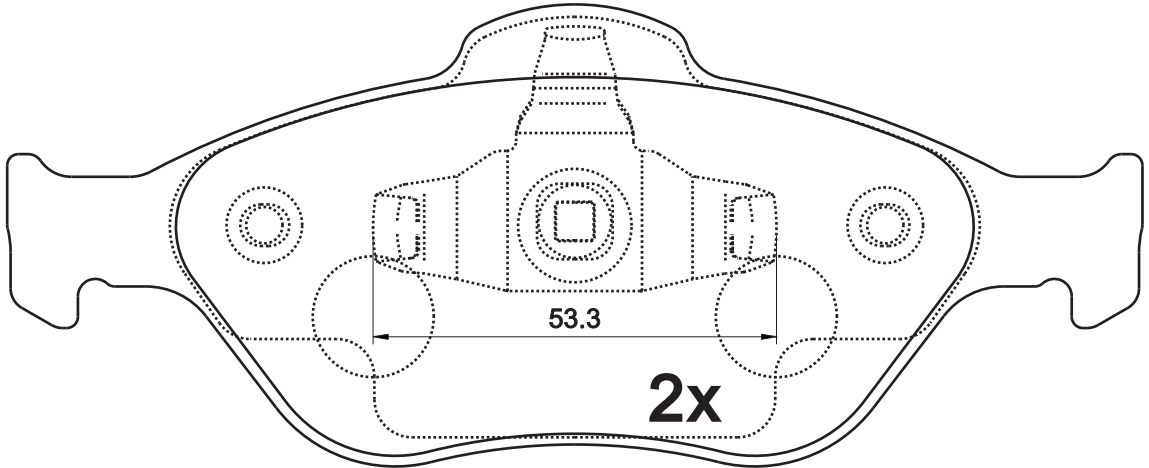
SR0457.01

Dimension (mm)	Thickness (mm)	
151.1×58.5 150.1×61.1	17.8	

NOTE
2 identical with spring;
2 identical;



23202



23604

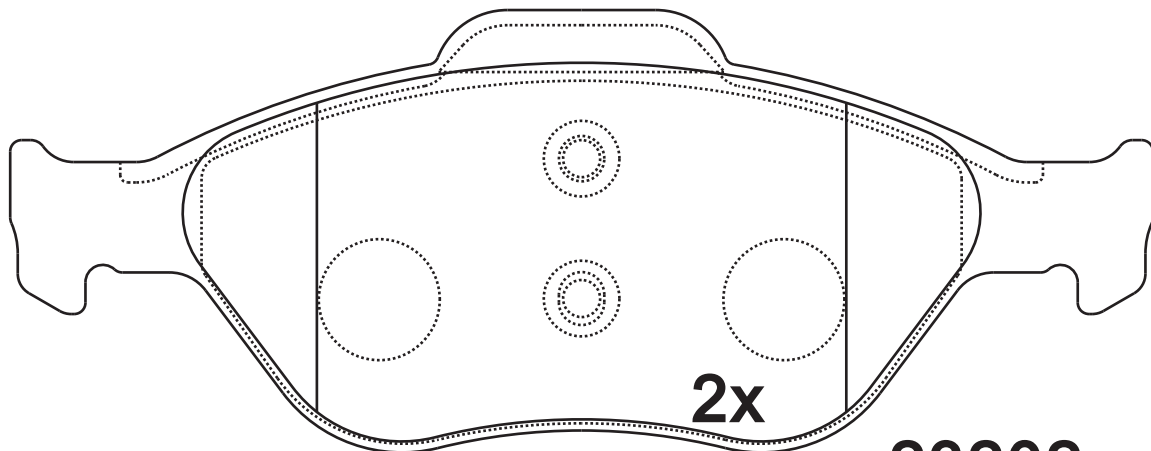
Apply for:

Ford Fiesta V	Hatchback	11.01-06.08
Ford Fiesta	Box	02.96-
Ford Fusion	Estate	08.02-
Ford Puma	Coupe	06.97-06.02
Mazda 2	Hatchback	04.03-
Mazda Verisa	Hatchback	07.04-

SR0457.02

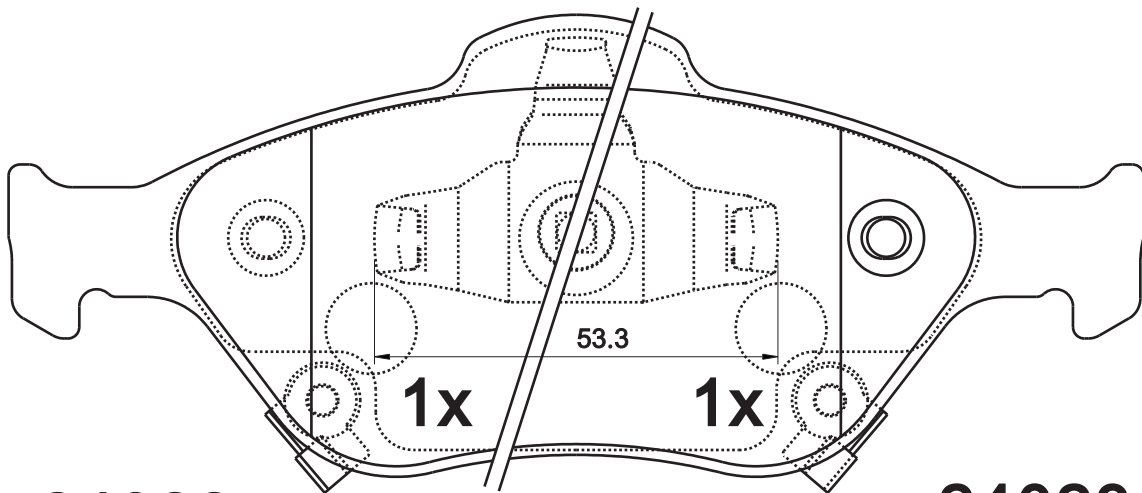
Dimension (mm)	Thickness (mm)	
151.1×58.5 150.1×61.1	17.8	

NOTE
2 identical with spring;
2 identical;



2x

23202



1x

1x

53.3

24022

24023

Apply for:

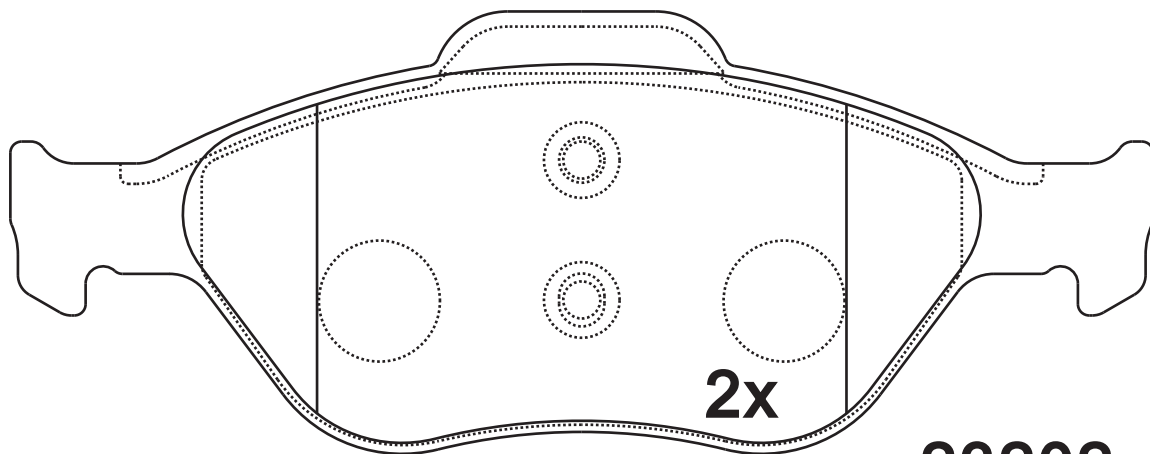
Ford Fiesta V	Hatchback	11.01-06.08
Ford Fiesta	Box	02.96-
Ford Fusion	Estate	08.02-
Ford Puma	Coupe	06.97-06.02
Mazda 2	Hatchback	04.03-
Mazda Verisa	Hatchback	07.04-

SR0457.03

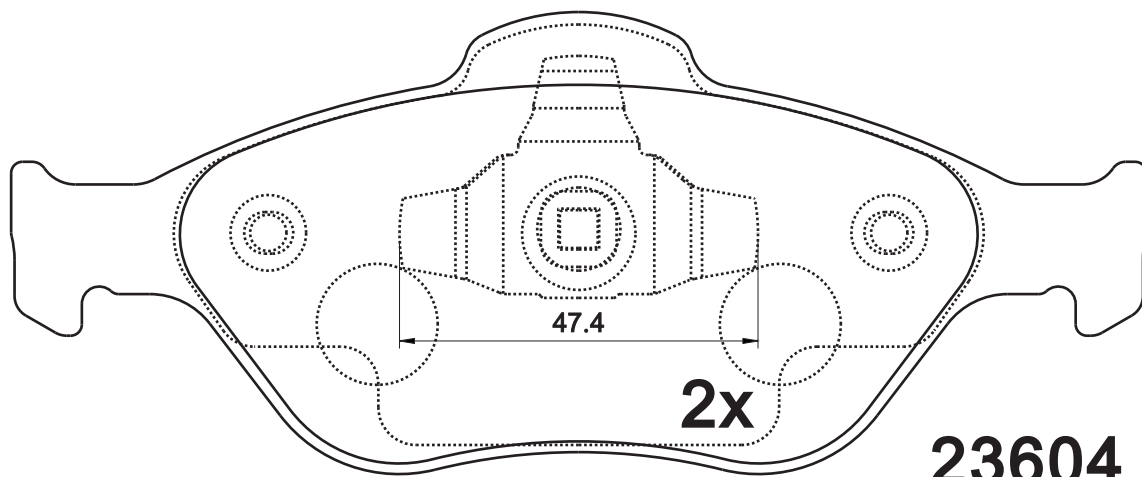
Dimension (mm)	Thickness (mm)	
151.1×58.5 150.1×61.1	17.8	 

NOTE

**2 identical with spring;
2 identical;**



23202





23604

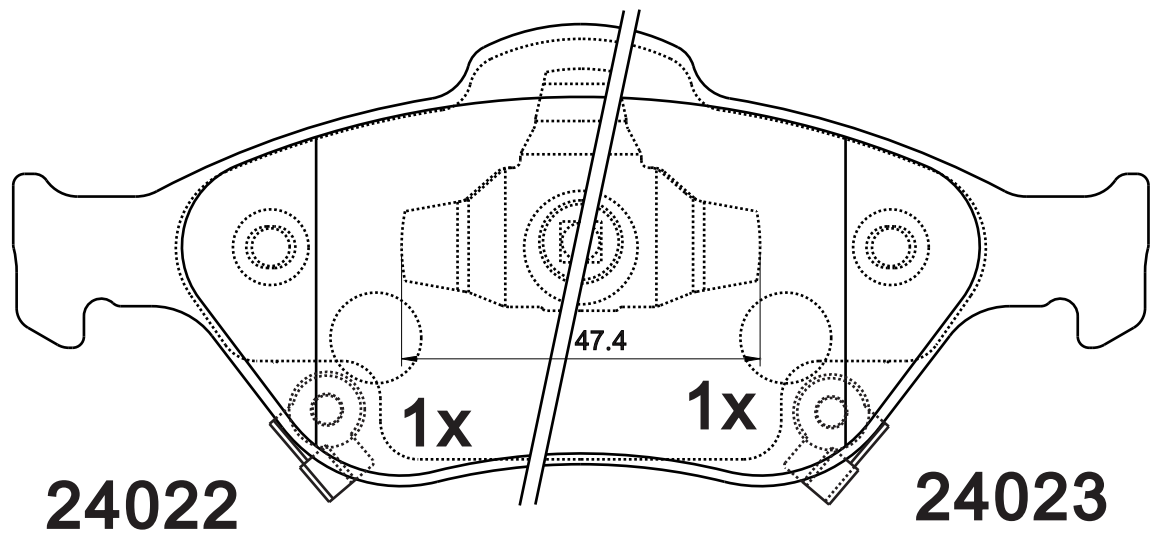
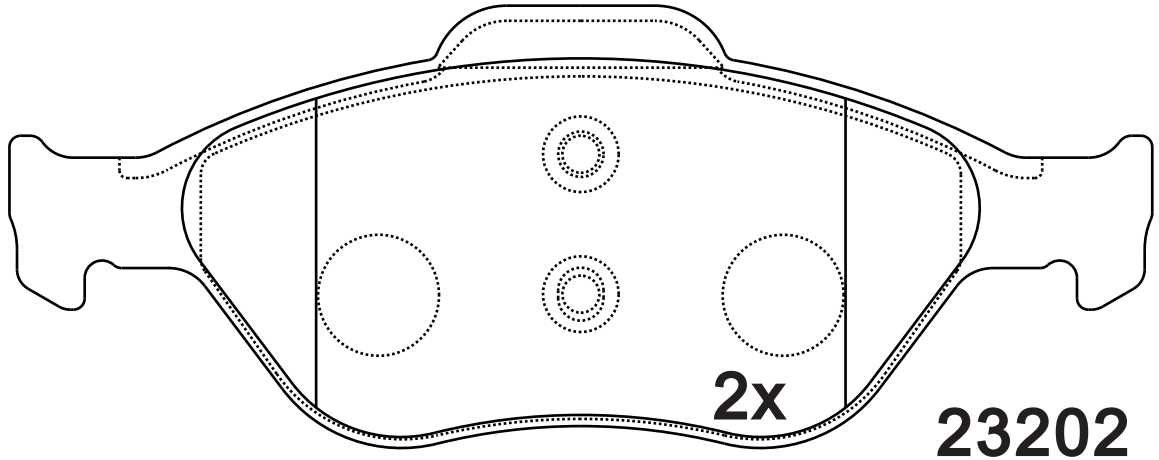
Apply for:

Ford Fiesta V	Hatchback	11.01-06.08
Ford Fiesta	Box	02.96-
Ford Fusion	Estate	08.02-
Ford Puma	Coupe	06.97-06.02
Mazda 2	Hatchback	04.03-
Mazda Verisa	Hatchback	07.04-

SR0457.04

Dimension (mm)	Thickness (mm)	
151.1×58.5 150.1×61.1	17.8	

NOTE
2 identical with spring;
2 identical;



Apply for:

Ford Fiesta V	Hatchback	11.01-06.08
Ford Fiesta	Box	02.96-
Ford Fusion	Estate	08.02-
Ford Puma	Coupe	06.97-06.02
Mazda 2	Hatchback	04.03-
Mazda Verisa	Hatchback	07.04-

SR0457.05

**Dimension
(mm)**

151.1×58.5
150.1×61.1

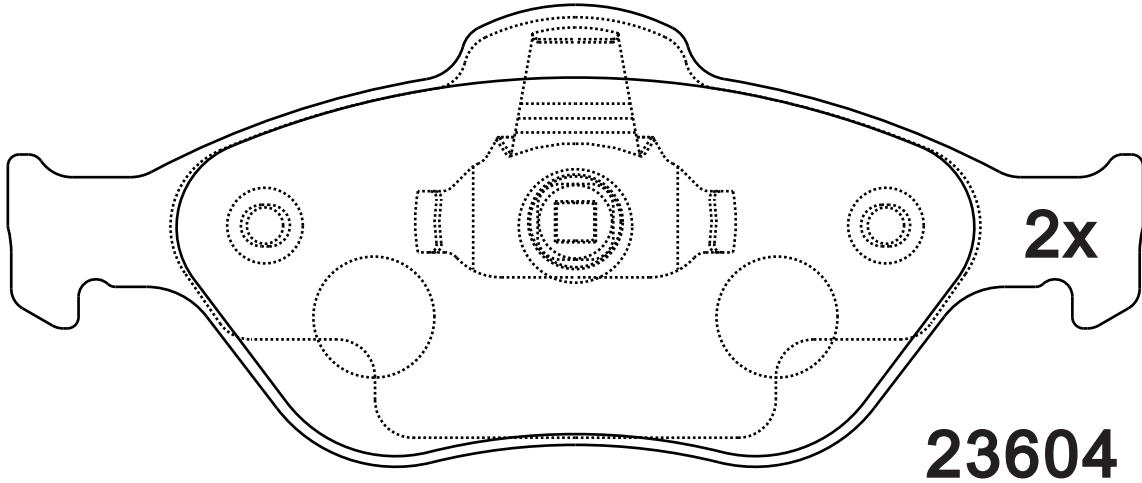
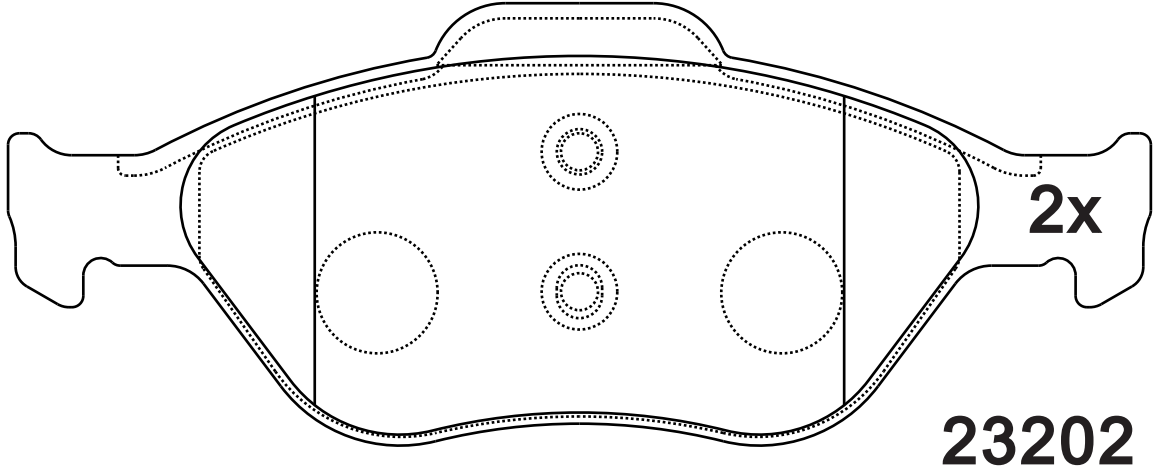
**Thickness
(mm)**

17.8



NOTE

**2 identical with spring;
2 identical;**



Apply for:

Ford Fiesta V	Hatchback	11.01-06.08
Ford Fiesta	Box	02.96-
Ford Fusion	Estate	08.02-
Ford Puma	Coupe	06.97-06.02
Mazda 2	Hatchback	04.03-
Mazda Verisa	Hatchback	07.04-

SR0457

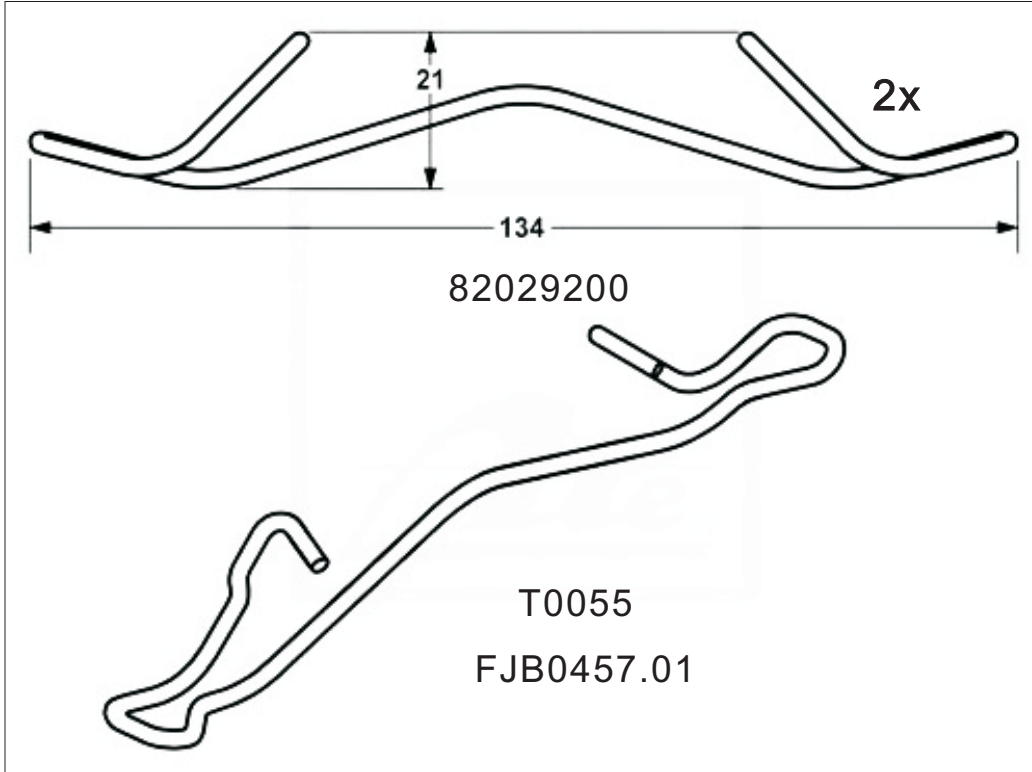
**Dimension
(mm)**

**Thickness
(mm)**




NOTE

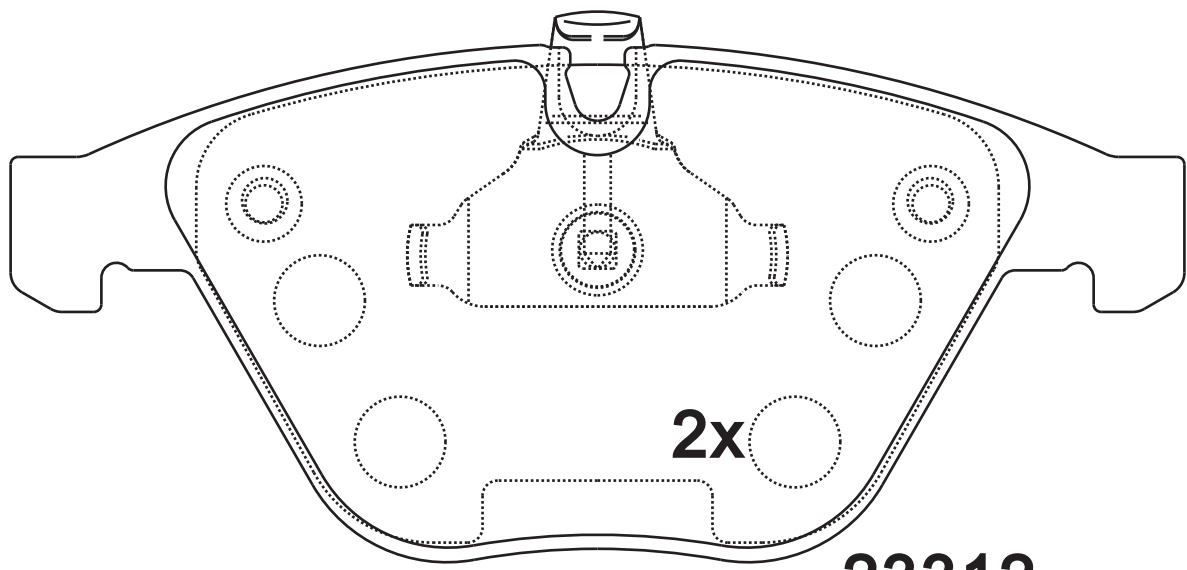
**附件包
Accessory kit**



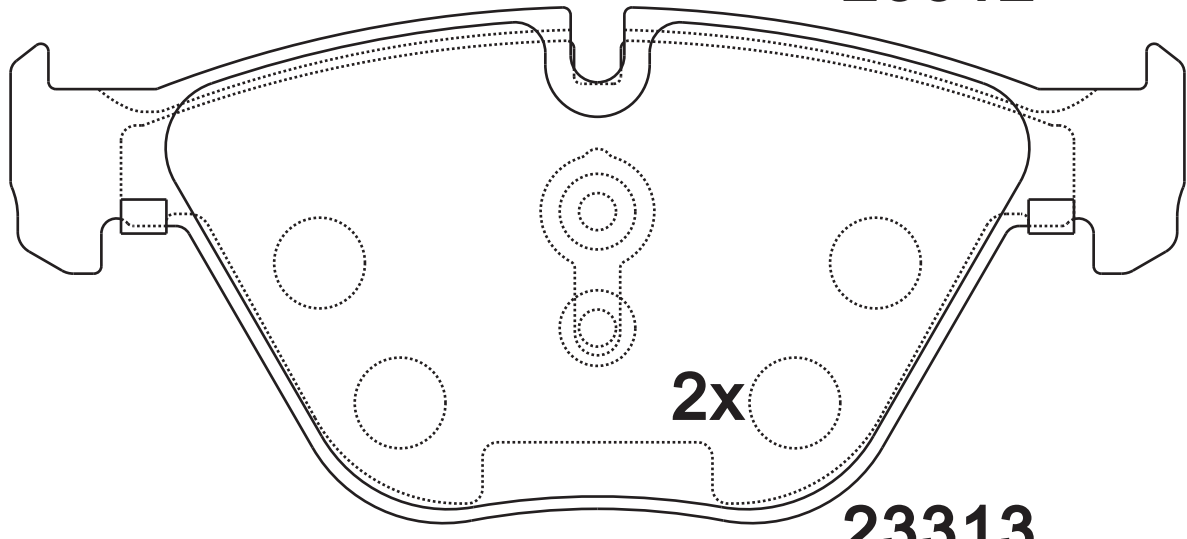
SR0458.01

Dimension (mm)	Thickness (mm)	
155.1×68.3	20.3	

NOTE
2 identical with spring;
2 identical with spring;



23312



23313

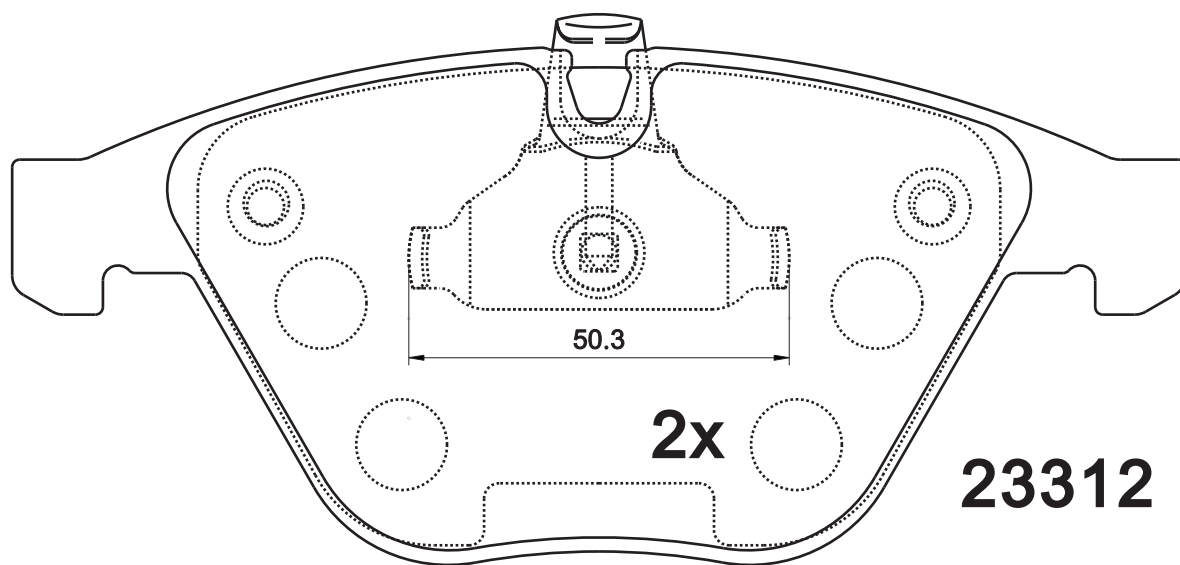
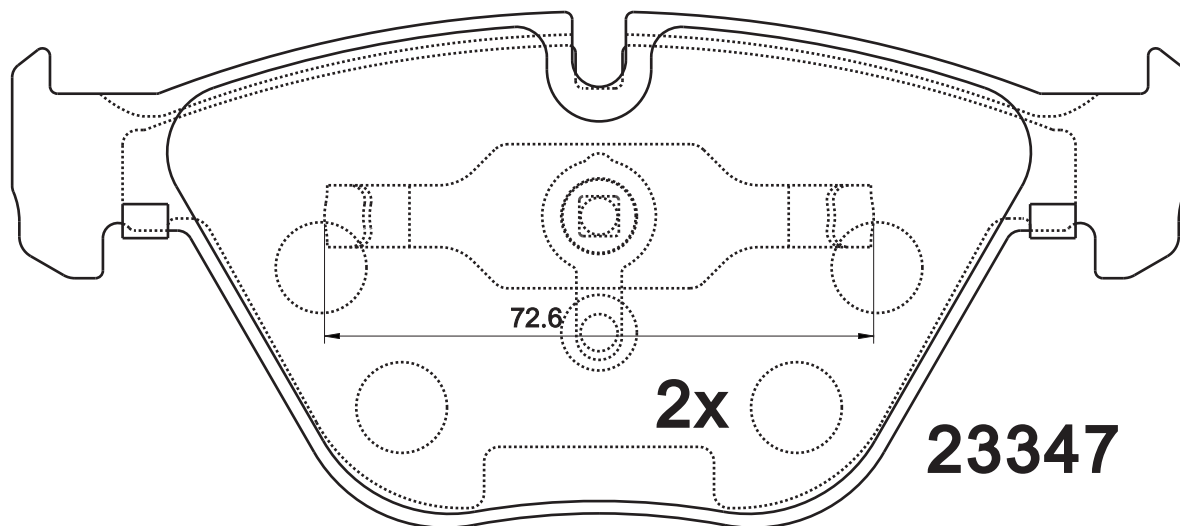
Apply for:

BMW 3	Saloon	03.07-12.11
BMW 4	Coupe	03.07-
BMW 5	Convertible	03.07-
BMW 5	Saloon	07.03-03.10
BMW 5	Estate	06.04-
BMW 6	Coupe	01.04-
BMW 6	Convertible	04.04-
BMW 7	Saloon	01.03-
BMW X5	Closed off-Road	02.07-
BMW X6	Closed off-Road	05.08-

SR0458.02

Dimension (mm)	Thickness (mm)	
155.2×68.2 155.2×68.4	20.3	

NOTE
2 identical with spring;
2 identical with spring;



Apply for:

BMW 3	Saloon	03.07-12.11
BMW 4	Coupe	03.07-
BMW 5	Convertible	03.07-
BMW 5	Saloon	07.03-03.10
BMW 5	Estate	06.04-
BMW 6	Coupe	01.04-
BMW 6	Convertible	04.04-
BMW 7	Saloon	01.03-
BMW X5	Closed off-Road	02.07-
BMW X6	Closed off-Road	05.08-

SR0458.03**Dimension
(mm)**

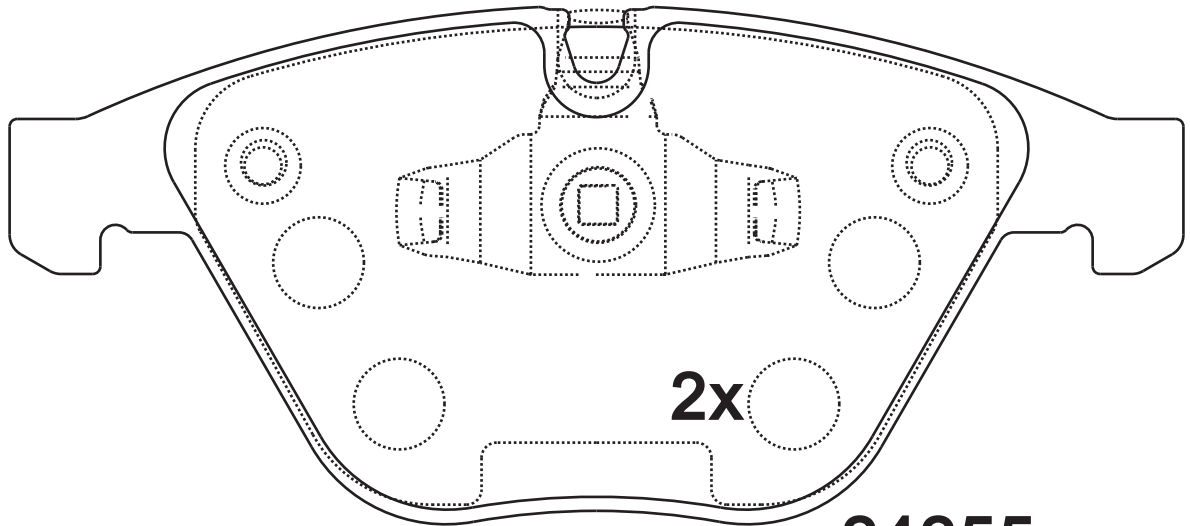
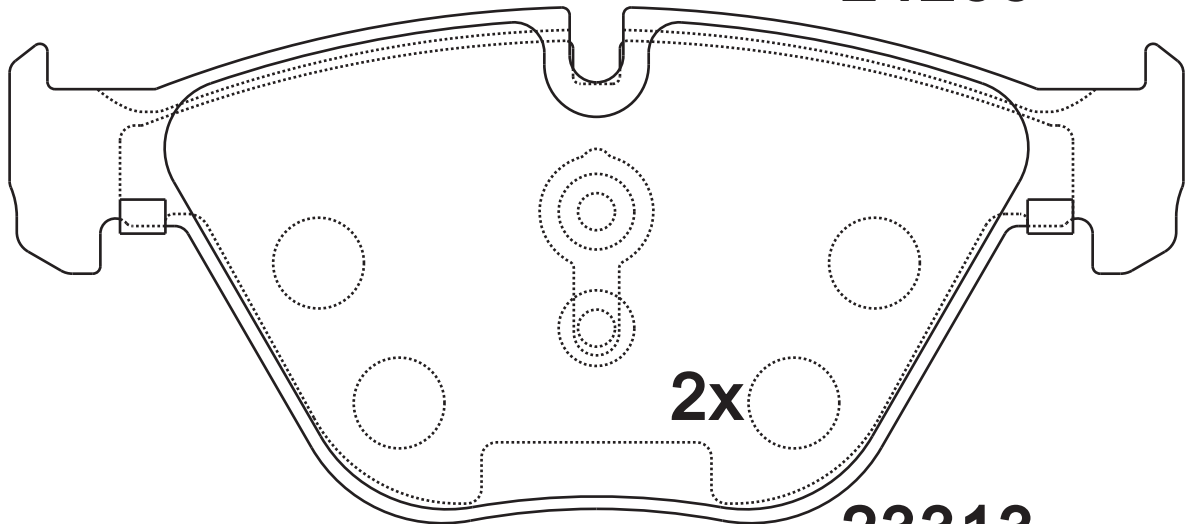
155.1×68.3

**Thickness
(mm)**

20.3

**NOTE**

2 identical with spring;
2 identical with spring;

**24255****23313****Apply for:**

BMW 3	Saloon	03.07-12.11
BMW 4	Coupe	03.07-
BMW 5	Convertible	03.07-
BMW 5	Saloon	07.03-03.10
BMW 5	Estate	06.04-
BMW 6	Coupe	01.04-
BMW 6	Convertible	04.04-
BMW 7	Saloon	01.03-
BMW X5	Closed off-Road	02.07-
BMW X6	Closed off-Road	05.08-

SR0458

**Dimension
(mm)**

**Thickness
(mm)**



NOTE

附件包

Accessory kit

1x



**98047500
34356792289**

X197A总长675mm
FJB1X197A

2x



X0201A
总长1110mm

FJB2X0201A

1x



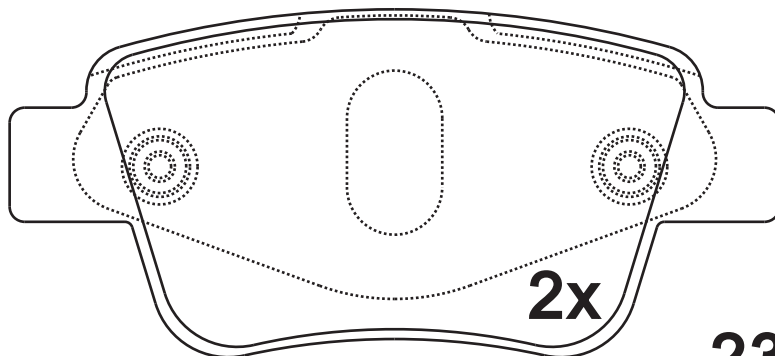
X103A总长680mm
FJB1X103A

34356792562

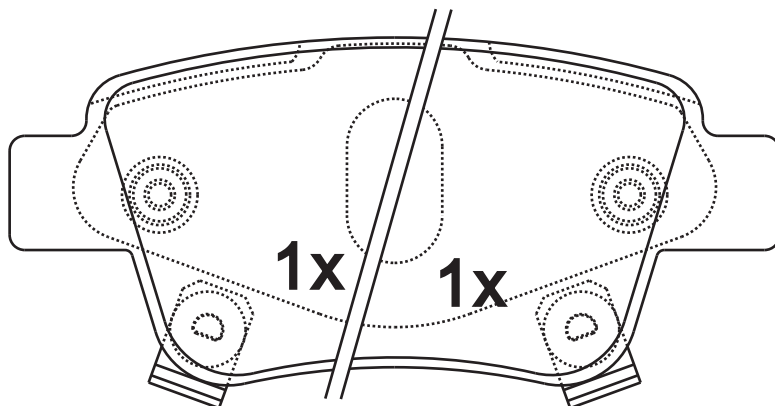
SR0459.01

Dimension (mm)	Thickness (mm)	
101.8×46	16.4	

NOTE
4 identical, 1 with acoustic indicator (left), 1 with acoustic indicator (right).



23620



23621

23622

Apply for:

Toyota Avensis	Hatchback	04.03-
Toyota Avensis	Estate	04.03-
Toyota Avensis	Saloon	04.03-
Toyota Corolla Verso	MPV	09.01-05.04
Toyota Previa	Saloon	06.00-

SR0459

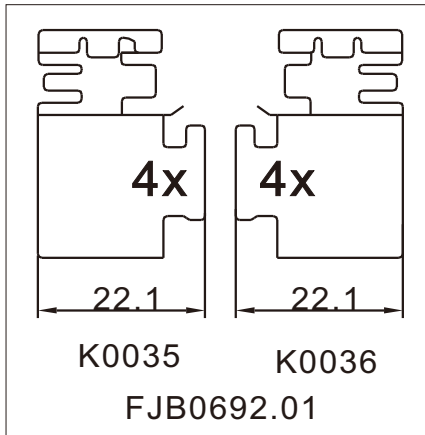
**Dimension
(mm)**

**Thickness
(mm)**



NOTE

**附件包
Accessory kit**



SR0460.01

**Dimension
(mm)**

131.8×77.2

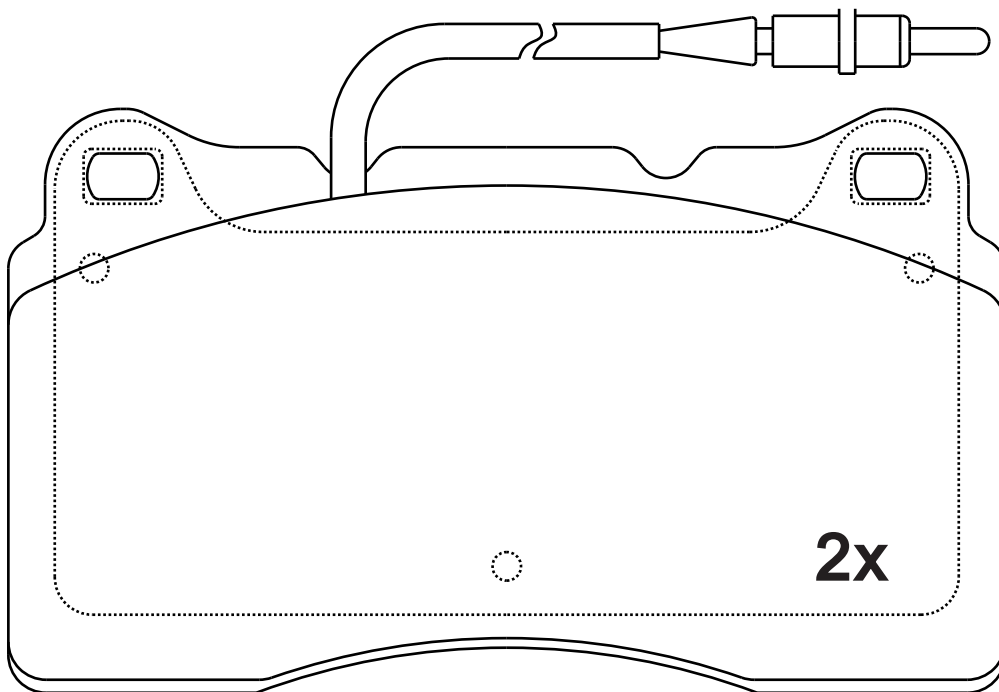
**Thickness
(mm)**

16



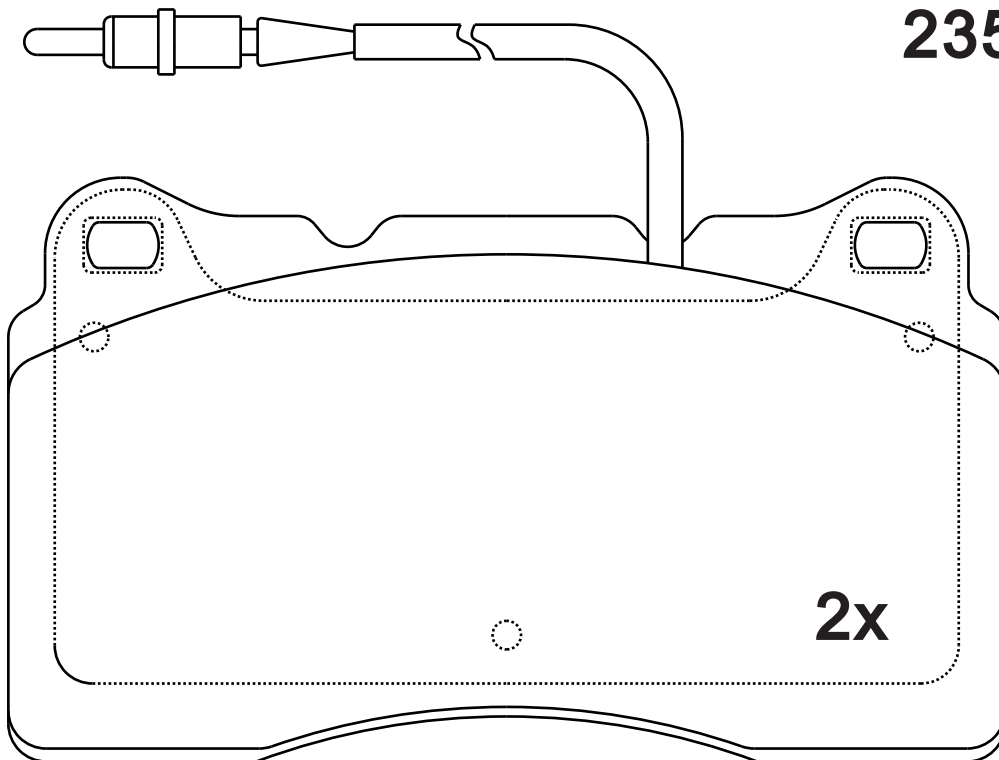
NOTE

2 identical with warn indicator:276mm;
2 identical with warn indicator:276mm.



2x

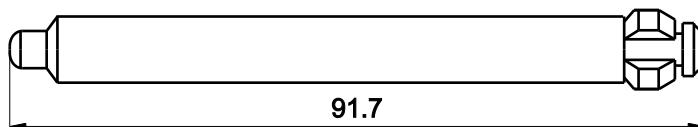
23576



2x

23575

4x



91.7

Apply for:
Peugeot 607

Saloon

02.00-

版次: A/3

SR0460.02

**Dimension
(mm)**

**Thickness
(mm)**

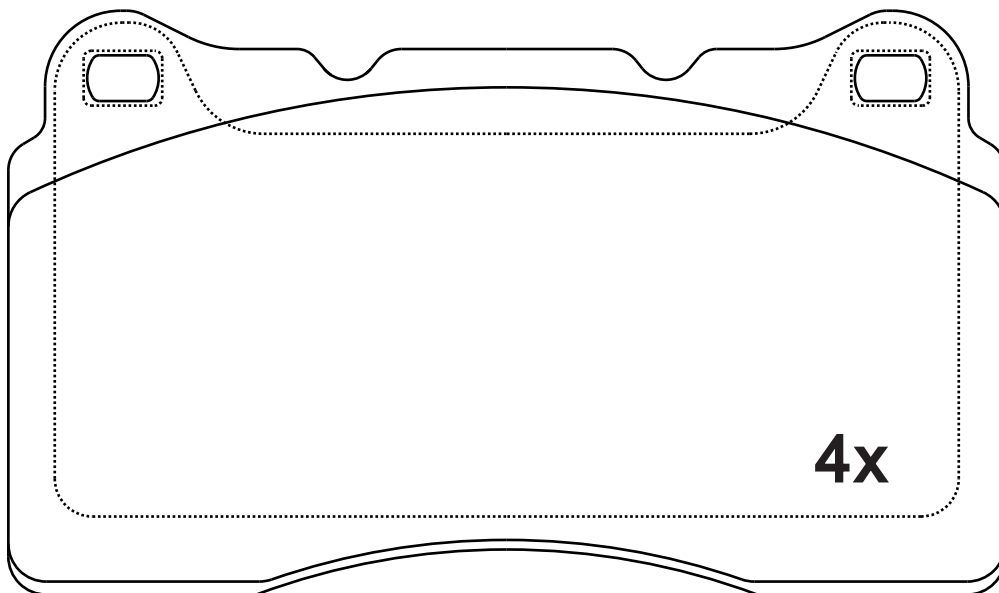


NOTE

4 identical ;

131.8×77.2

15.6



23092

Apply for:

Volvo S60 R
Volvo V70 R

2004-2007
2004-2007

SR0460.03

**Dimension
(mm)**

131.8×77.2

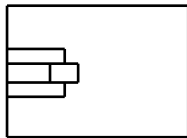
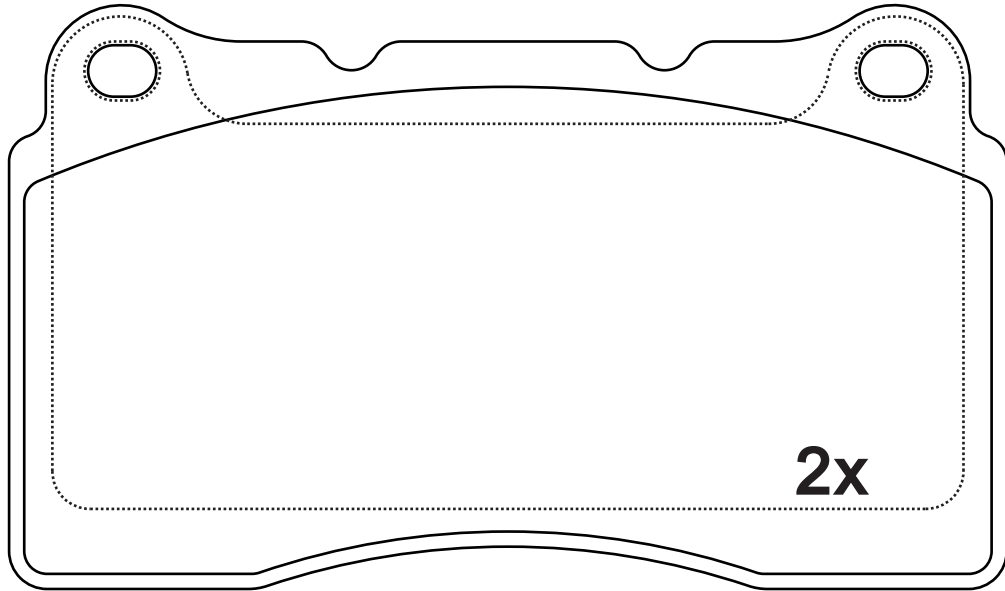
**Thickness
(mm)**

16

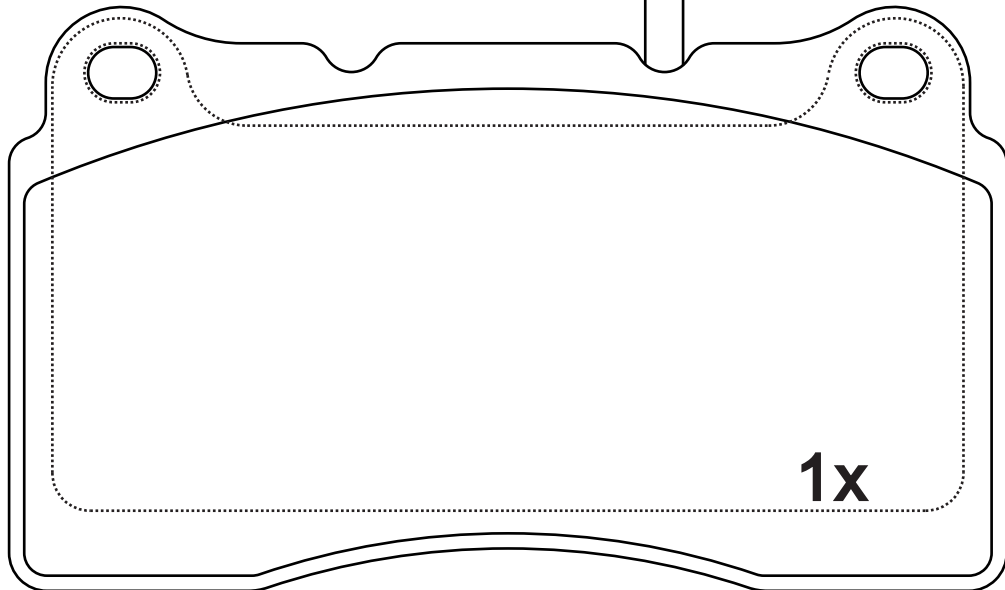


NOTE

**4 identical ,2with warn
indicator;**



23092



23110

Next Page... ..

SR0460.03

**Dimension
(mm)**

**Thickness
(mm)**

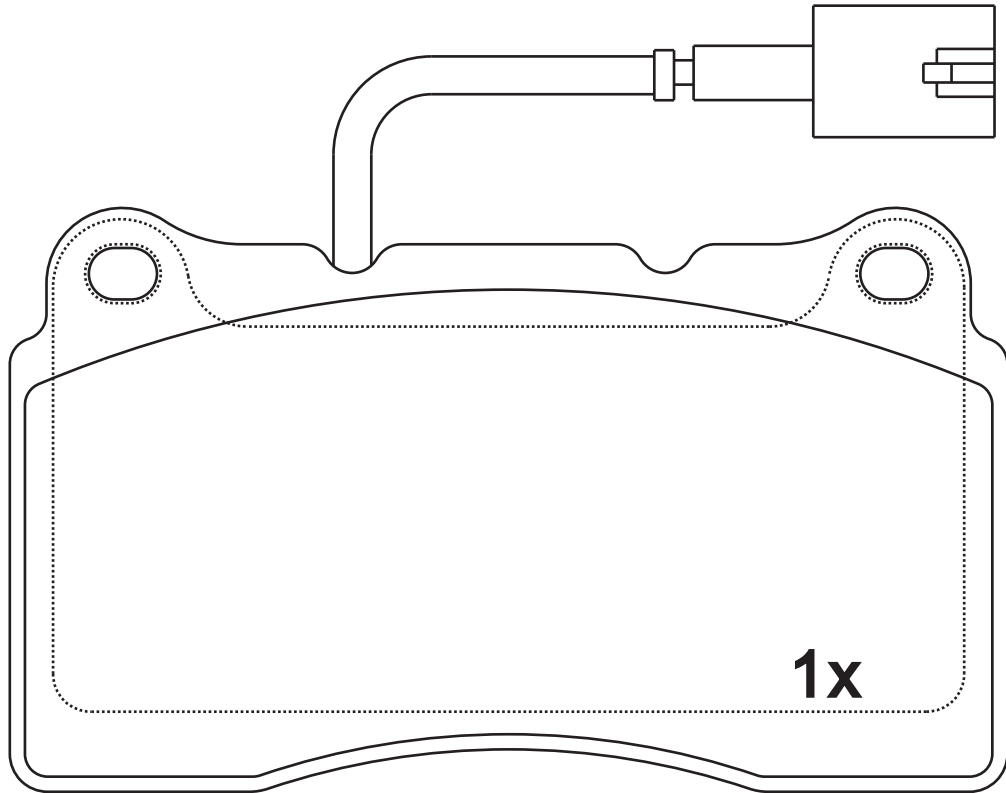


NOTE

**4 identical ,2with warn
indicator;**

131.8×77.2

16



23111

Apply for:

Alfa Romeo 159 (939_)

2005/06-2012/12

Alfa Romeo 159 Sportwagon (939_)

2005/06-2012/12

SR0460.04

**Dimension
(mm)**

**Thickness
(mm)**

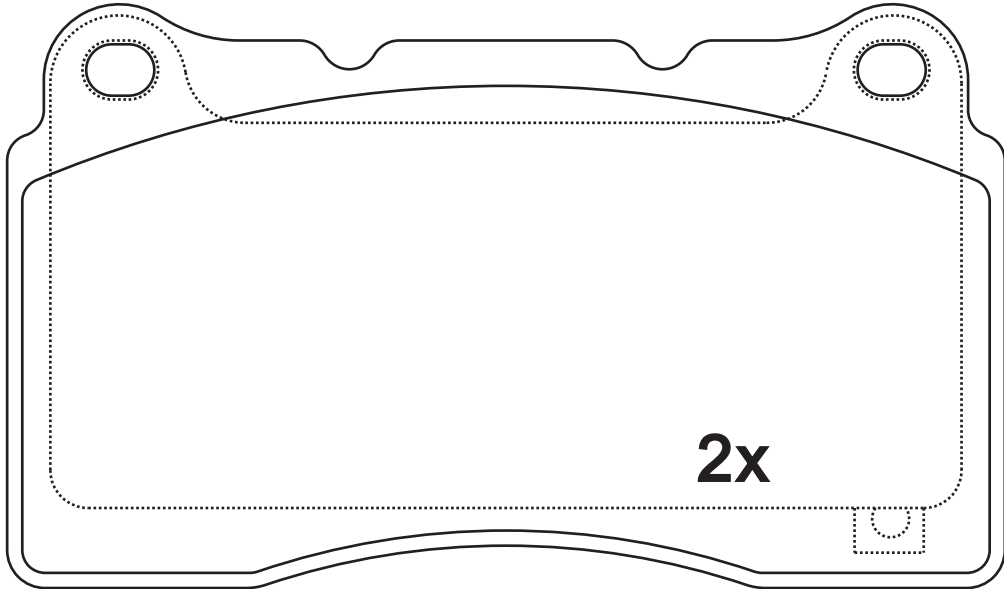


NOTE

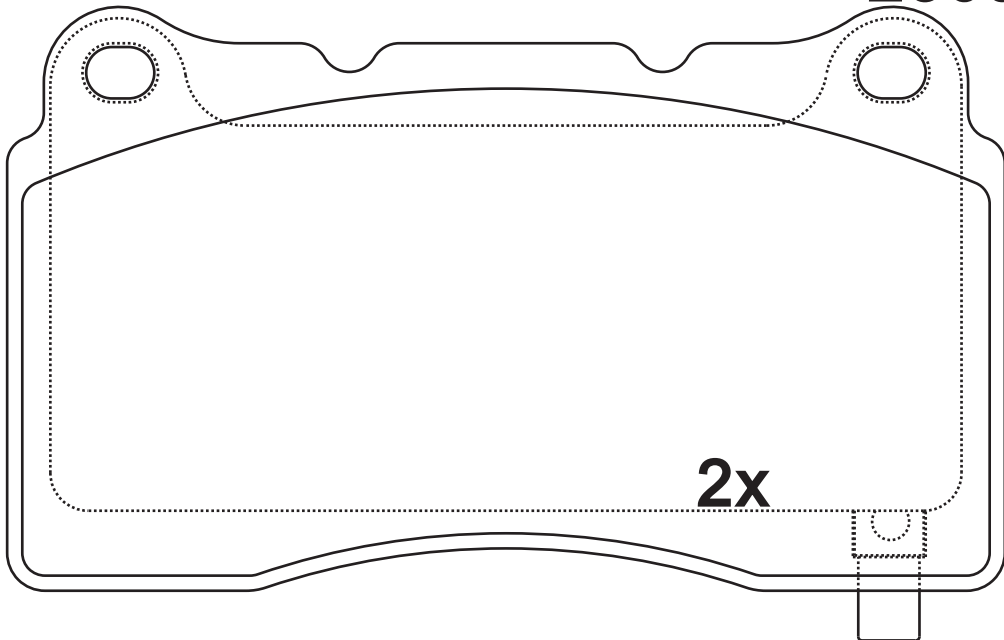
**4 identical ,2with warn
indicator;**

131.8×77.2

16



23092



23325

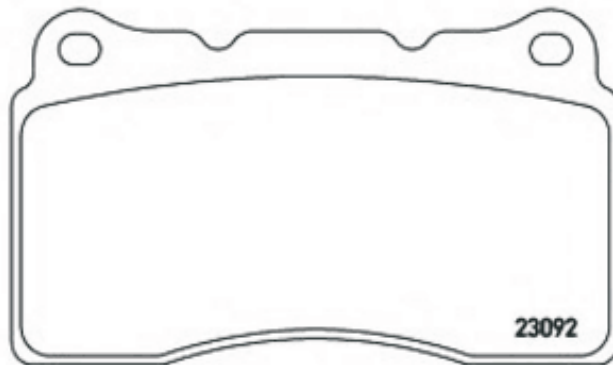
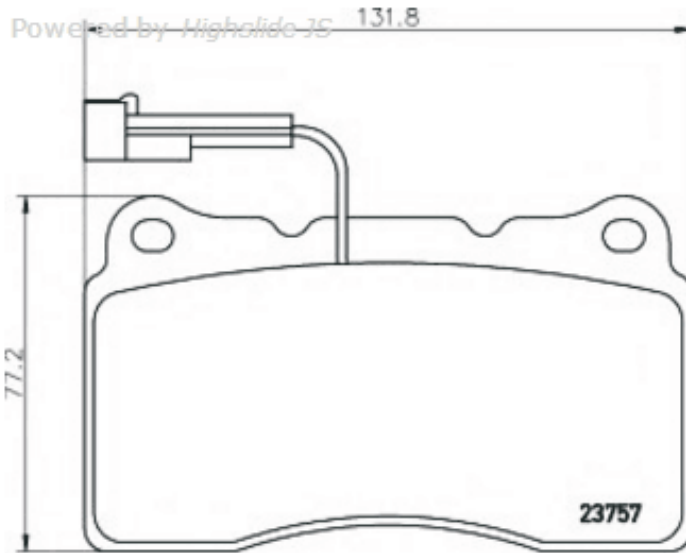
Apply for:

- | | |
|---------------------------------|-----------|
| Cadillac ats Brembo Front Brake | 2013-2014 |
| Cadillac ATS Performance | 2013- |
| Cadillac CTS V | 2004-2007 |
| Cadillac STS Heavy Duty | 2005-2011 |
| Cadillac XTS Performance | 2013- |
| Mitsubishi Lancer Evolution | 2003-2006 |
| Mitsubishi Lancer Evolution | 2008-2011 |
| Mitsubishi Lancer Evolution | 2013-2014 |
| Subaru Impreza WRX STi | 2004-2014 |

SR0460.05**Dimension
(mm)****Thickness
(mm)****NOTE****4 identical ,2with warn
indicator;**

131.8×77.2

16

**23757/23092****Apply for:**

Buick Regal GS	2012-2013
Cadillac ats Brembo Front Brake	2013-2014
Cadillac ATS Performance	2013-
Cadillac CTS V	2004-2007
Cadillac STS Heavy Duty	2005-2011
Cadillac XTS Performance	2013-
Ford GT	2005-2006
Mitsubishi Lancer Evolution	2003-2006
Mitsubishi Lancer Evolution	2008-2011
Mitsubishi Lancer Evolution	2013-2014
Pontiac G8 GXP	2009-
Subaru Impreza WRX STi	2004-2014

SR0460.06

**Dimension
(mm)**

**Thickness
(mm)**

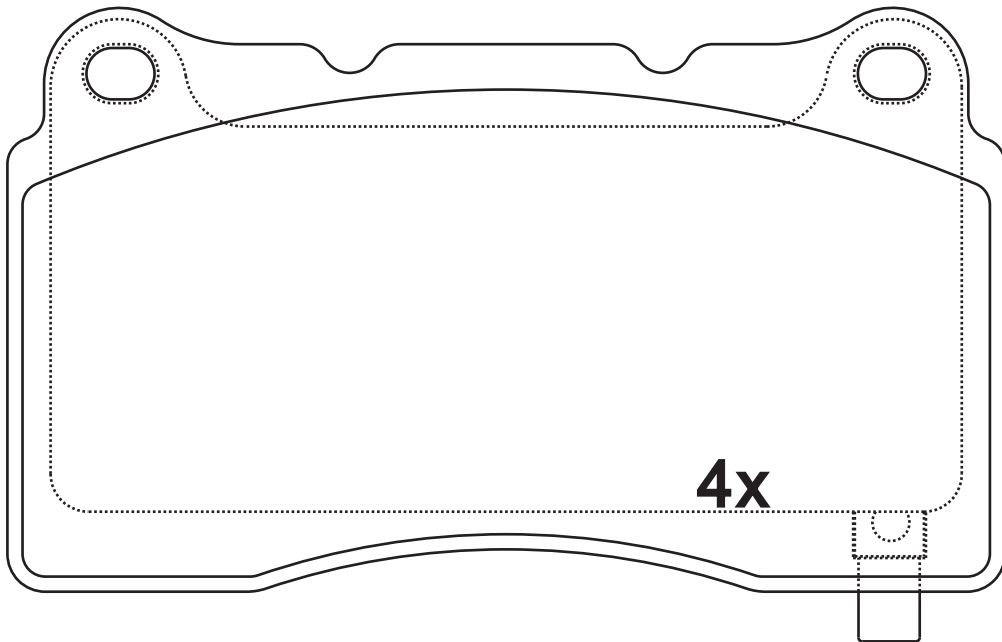


NOTE

4 identical ;

131.8×77.2

16



23325

Apply for:

Cadillac Ats
Opel Insignia A (G09)
Saab 9-5 (Ys3G)
Tesla Roadster

2013/02-
2008/07-2017/03
2010/01-2012/01
2008/03-

SR0460.07

**Dimension
(mm)**

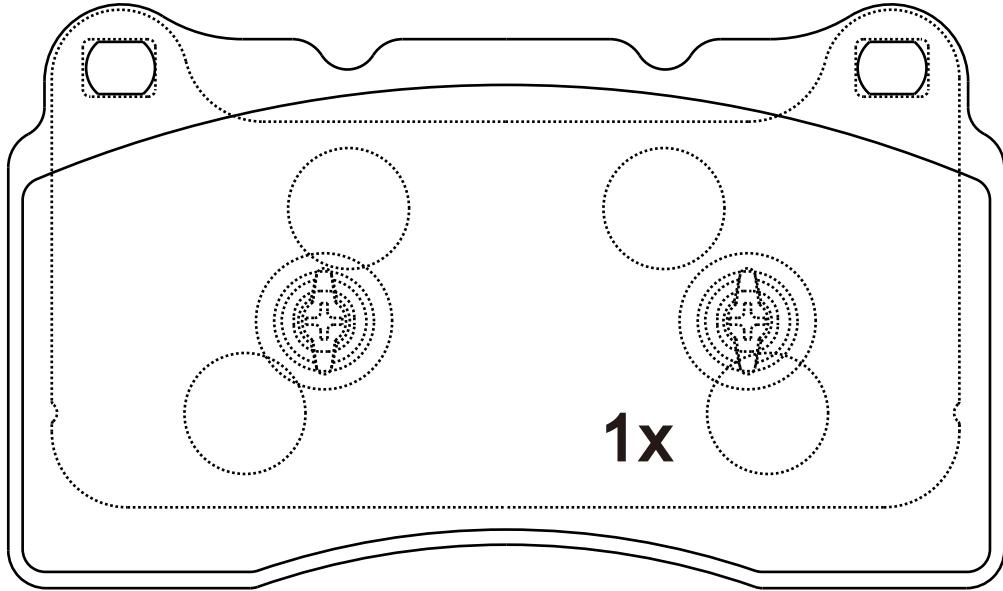
131.8×77.2

**Thickness
(mm)**

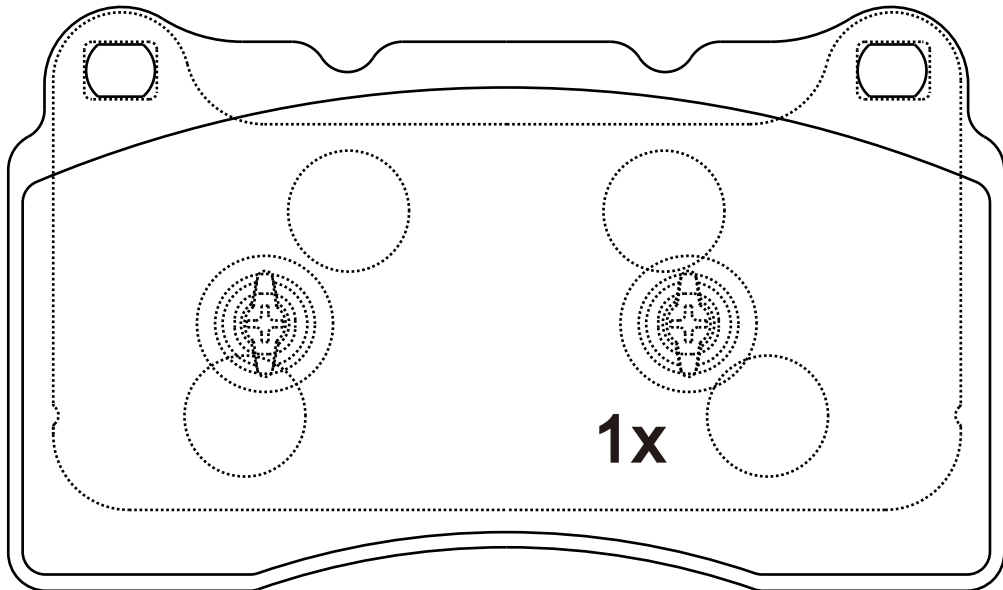
16



NOTE
2 identical ; 2 identical ;



23092



23092

.....Next

SR0460.07

**Dimension
(mm)**

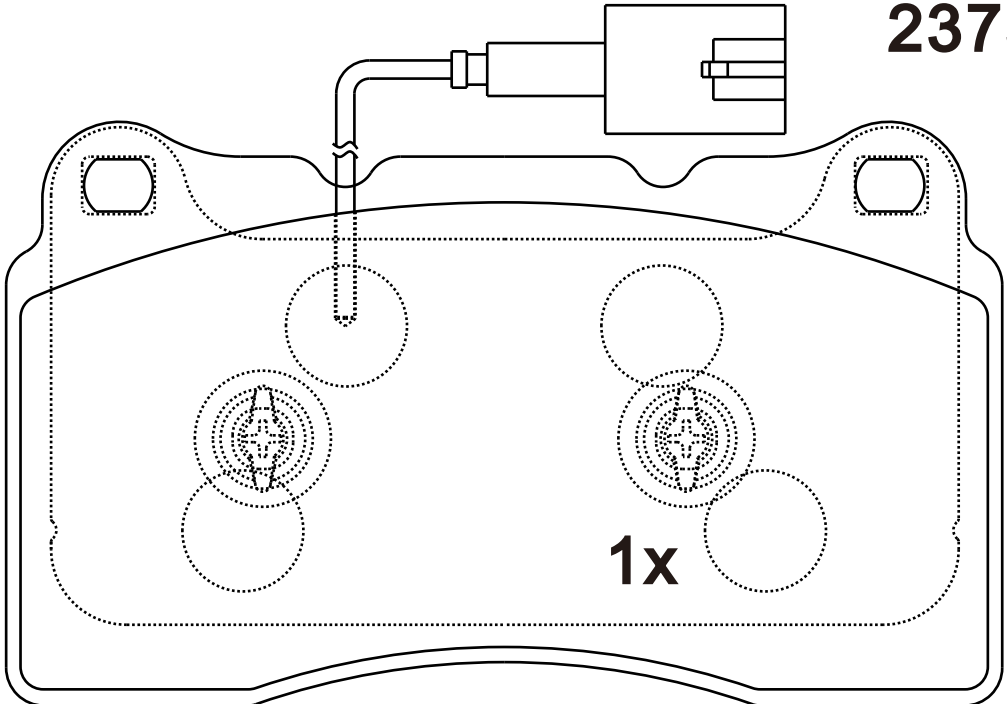
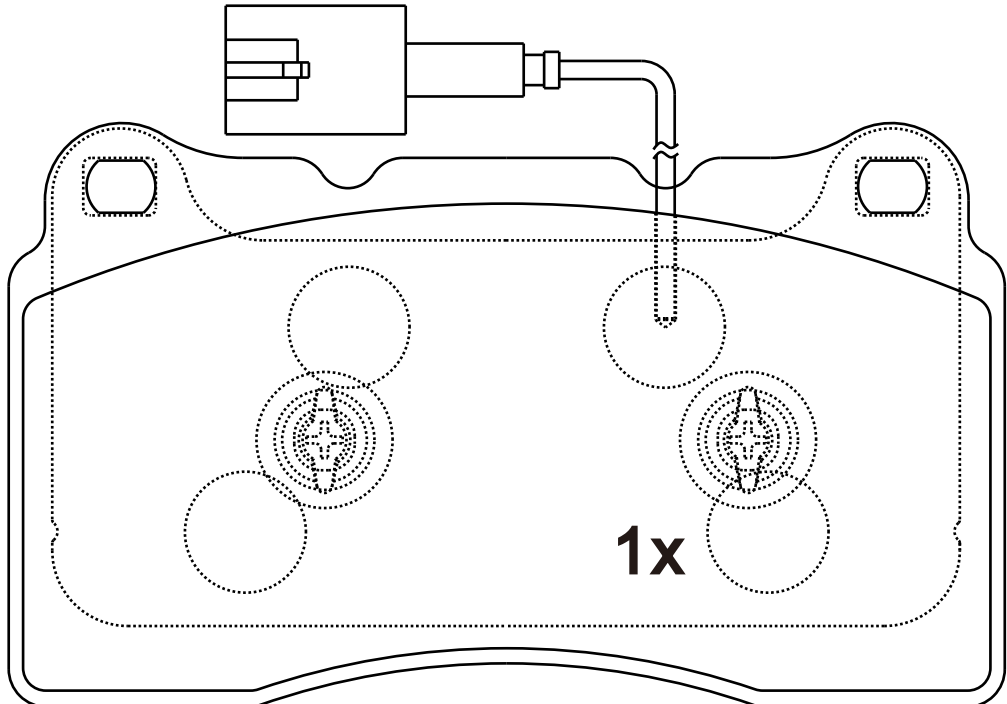
131.8×77.2

**Thickness
(mm)**

16



NOTE
2 identical ; 2 identical ;



23756

23757

Apply for:

ALFA ROMEO GIULIETTA 2011-2017

SR0461.01

**Dimension
(mm)**

157.6×60.1

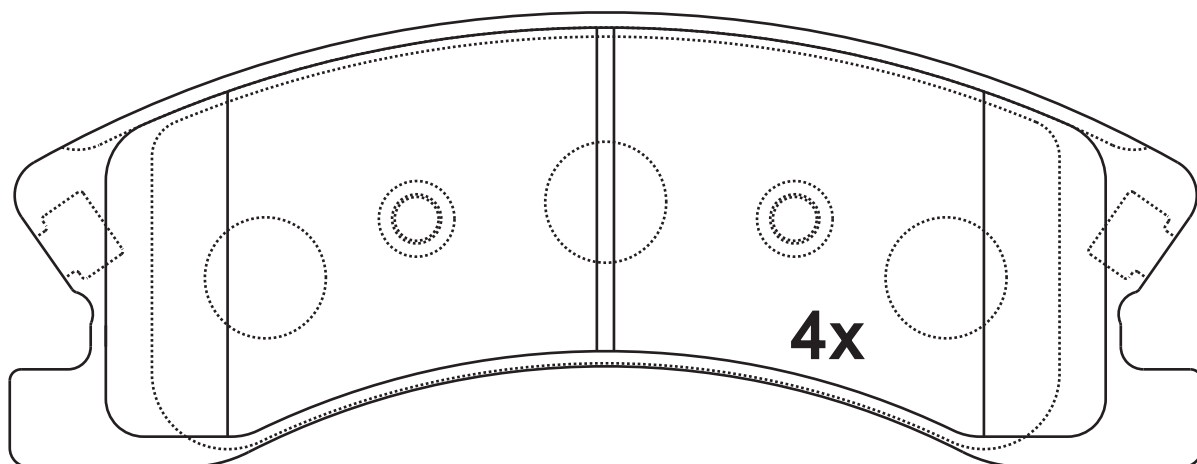
**Thickness
(mm)**

19.3



NOTE

4 identical ;



24083



2x

B0319

Apply for:

Jeep Grand Cherokee II

Closed off-Road

04.99-09.05

SR0462.01

**Dimension
(mm)**

122.8×53.9

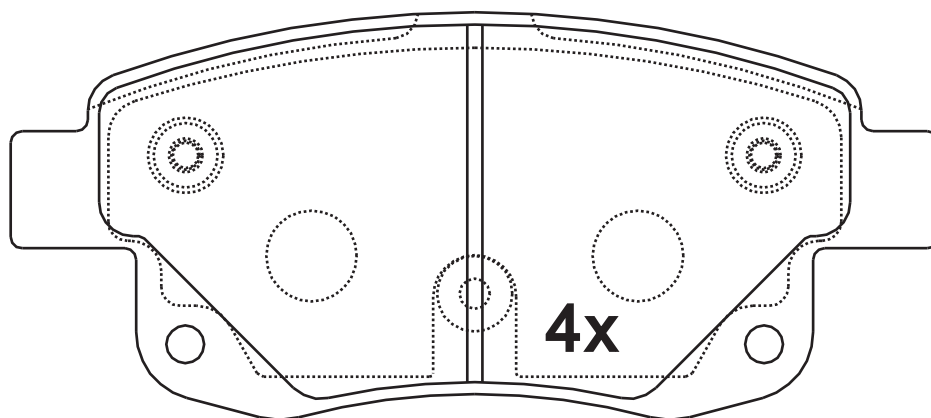
**Thickness
(mm)**

17.9



NOTE

4 identical, 1 identical with wear warning contact:475mm, 1 identical with wear warning contact:100mm.



24486

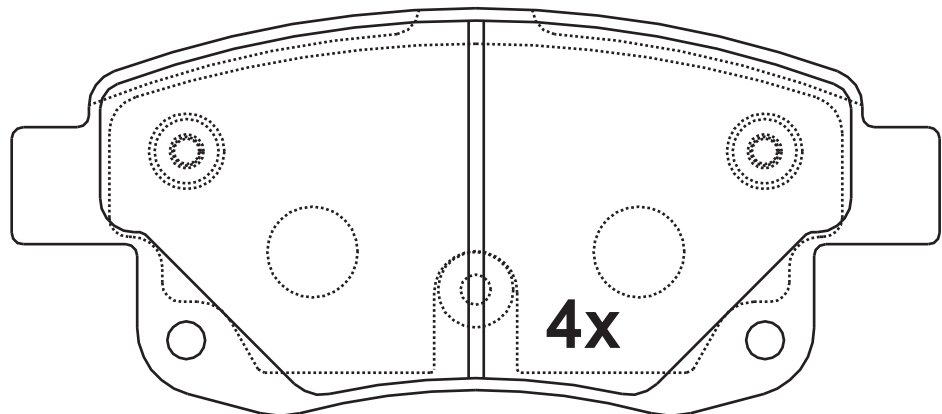
Apply for:

Ford Transit	Bus	04.06-
Ford Transit Tourneo	Bus	07.06-
Ford Transit	Box	04.06-
Ford Transit	Platform	04.06-

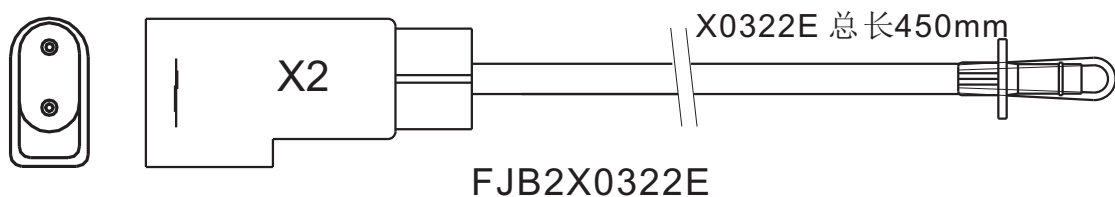
SR0462.02

Dimension (mm)	Thickness (mm)	
122.8×53.9	17.9	

NOTE
4 identical ,2 identical with wear warning contact:450mm





24486



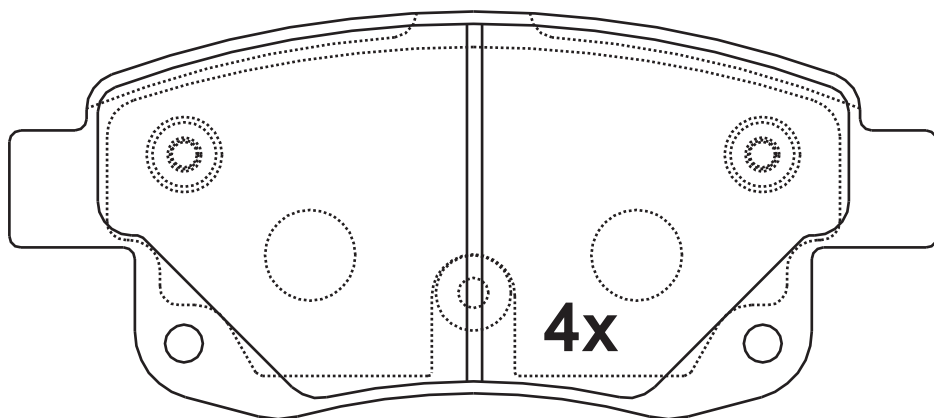
Apply for:

Ford Transit	Bus	04.06-
Ford Transit Tourneo	Bus	07.06-
Ford Transit	Box	04.06-
Ford Transit	Platform	04.06-

SR0462.03

Dimension (mm)	Thickness (mm)	
122.8×53.9	17.9	

NOTE
4 identical;



24486

Apply for:

Ford Transit	Bus	04.06-
Ford Transit Tourneo	Bus	07.06-
Ford Transit	Box	04.06-
Ford Transit	Platform	04.06-

SR0462.04

**Dimension
(mm)**

**Thickness
(mm)**

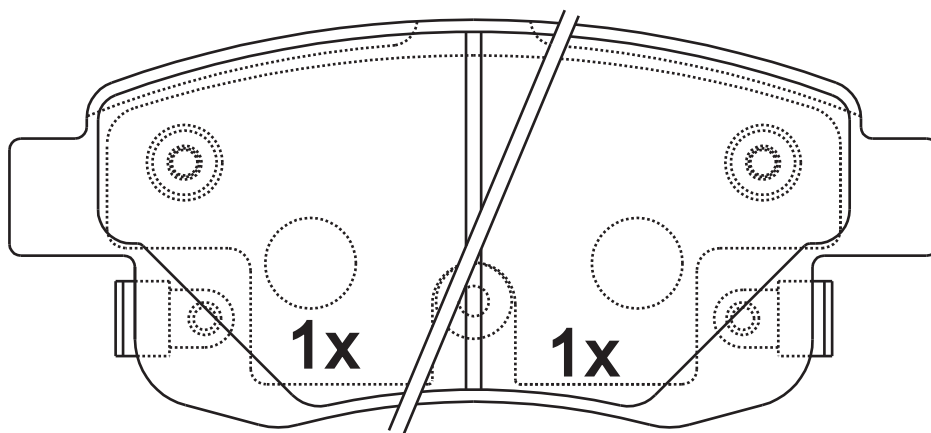
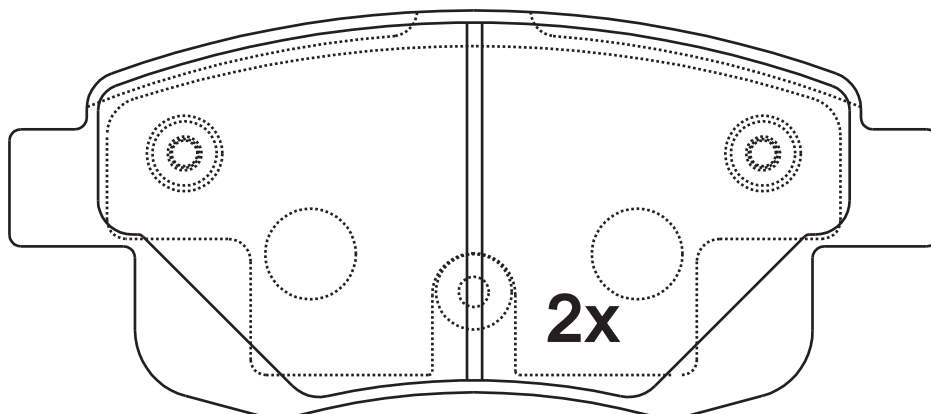


NOTE

4 identical;

122.8×53.9

17.9



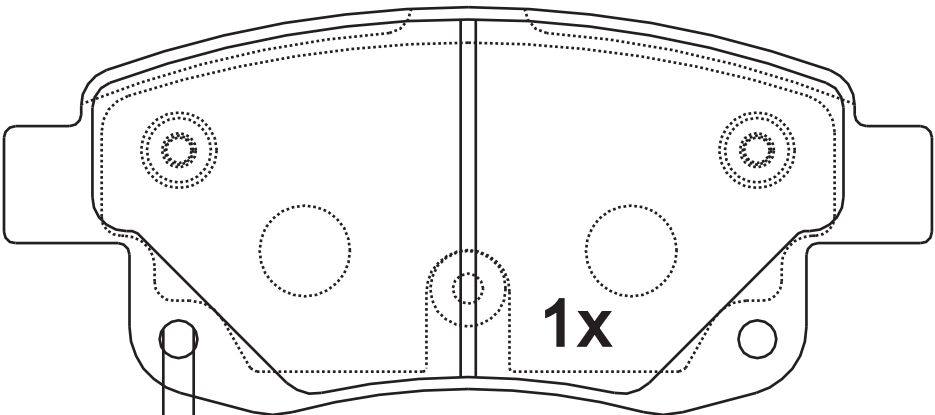
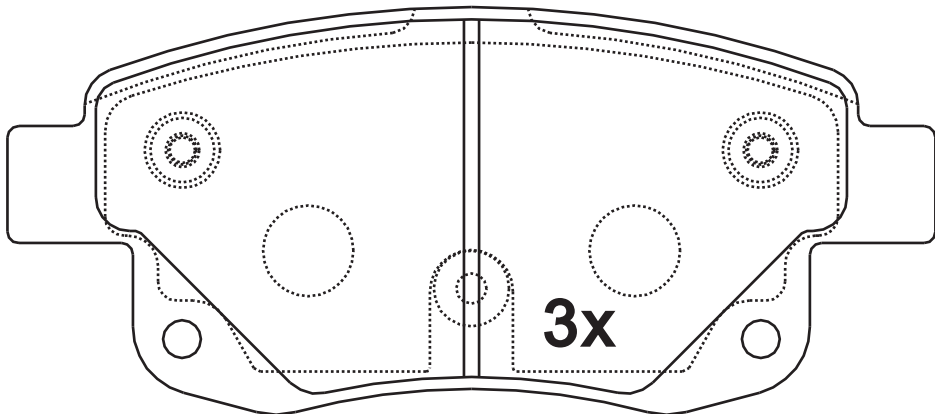
Apply for:

福田 图雅诺

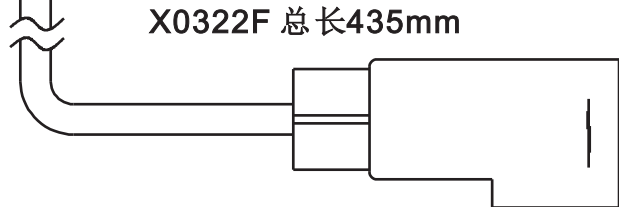
SR0462.05

Dimension (mm)	Thickness (mm)	
122.8×53.9	17.9	

NOTE
4 identical;



24486



Apply for:

Ford Transit	Bus	04.06-
Ford Transit Tourneo	Bus	07.06-
Ford Transit	Box	04.06-
Ford Transit	Platform	04.06-

SR0462

**Dimension
(mm)**

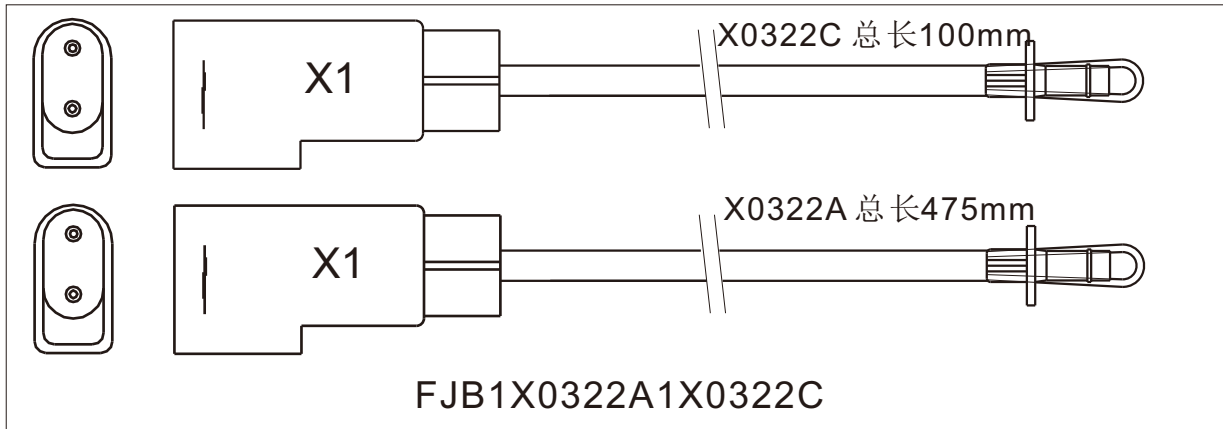
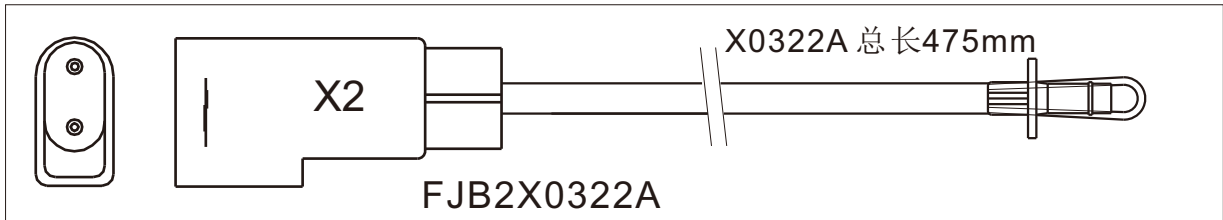
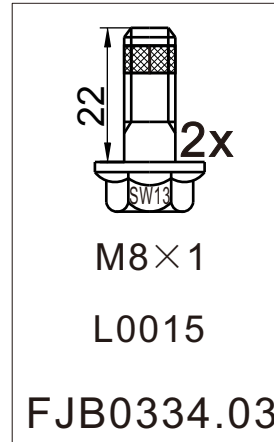
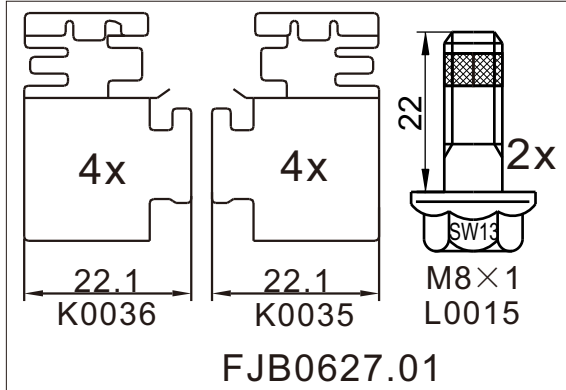
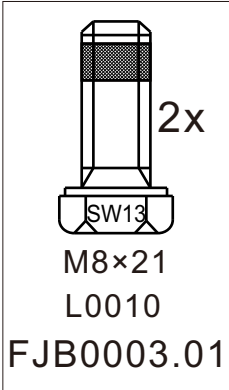
**Thickness
(mm)**



NOTE

附件包

Accessory bag



SR0463.01

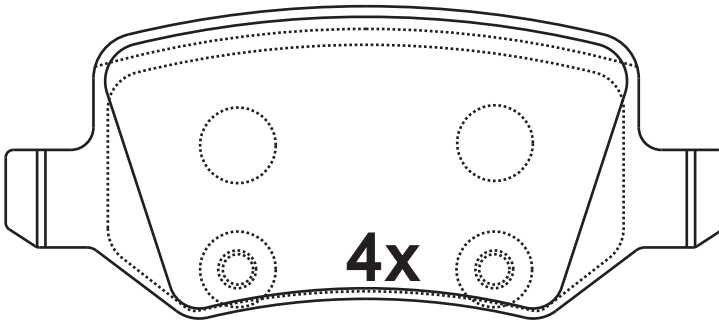
**Dimension
(mm)**

**Thickness
(mm)**



NOTE

4 identical ;





23138

Apply for:

Mercedes A-class
Mercedes Vaneo

Hatchback
MPV

07.97-08.04
02.02-07.05

SR0463.02	Dimension (mm)	Thickness (mm)		NOTE
	95.5×41.2	14.6		4 identical ;



取消 SR0463. 02=SR0463.01+FJB0621.01

SR0463

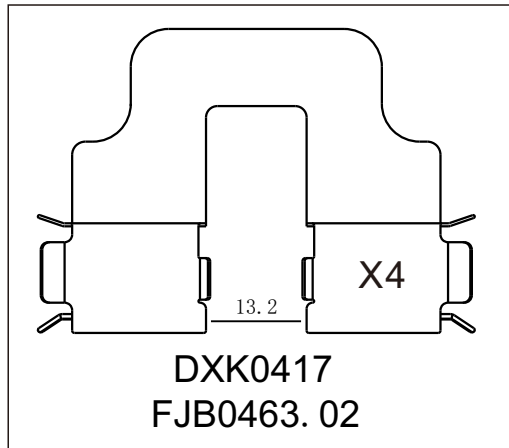
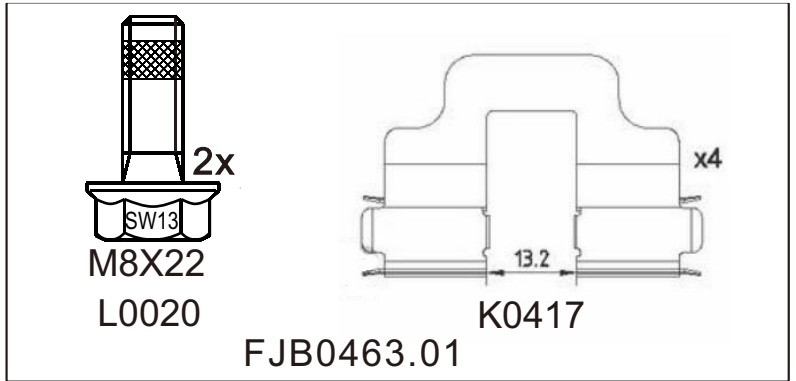
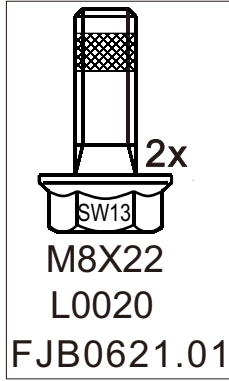
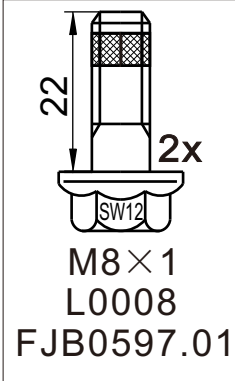
**Dimension
(mm)**

**Thickness
(mm)**





NOTE

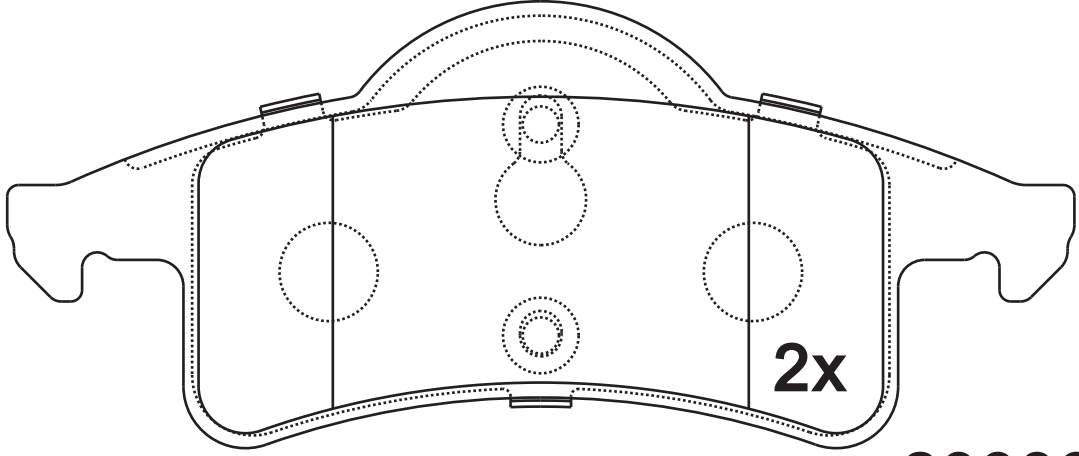
**附件包
Accessory bag**



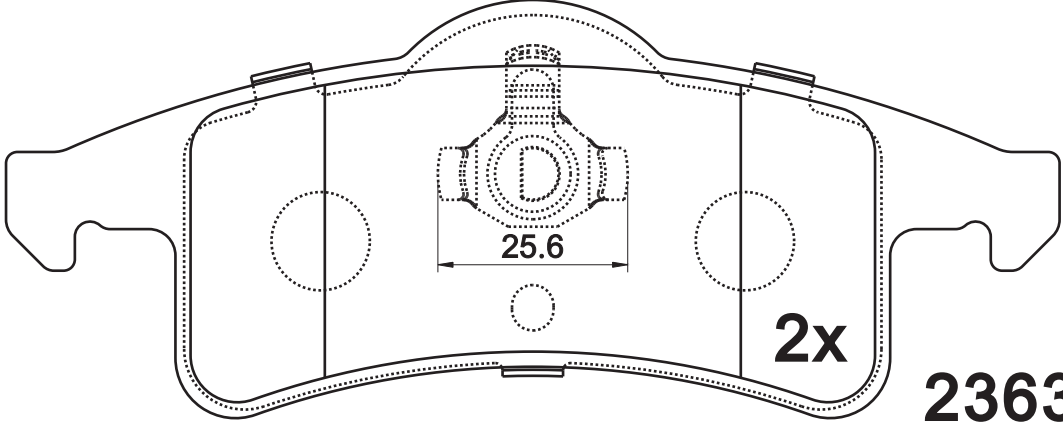
SR0464.01

Dimension (mm)	Thickness (mm)	
141.1×59.1 139.3×55.3	17.5	

NOTE
2 identical; 2 identical with spring.



23339



23634

Apply for:

Jeep Grand Cherokee II Closed off-Road 04.99-12.01

SR0464

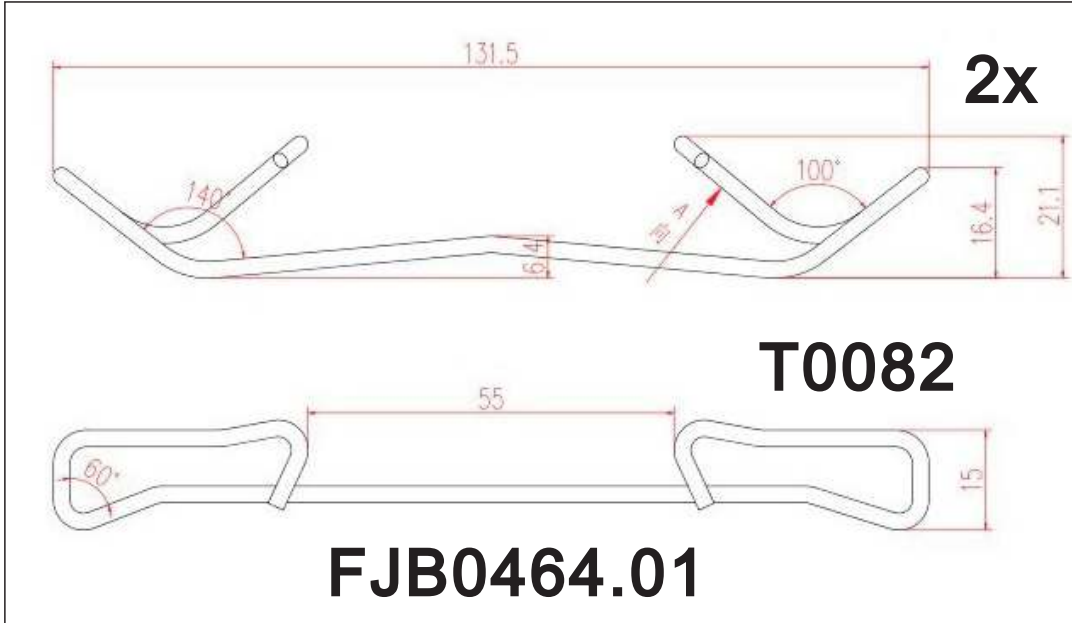
**Dimension
(mm)**



**Thickness
(mm)**

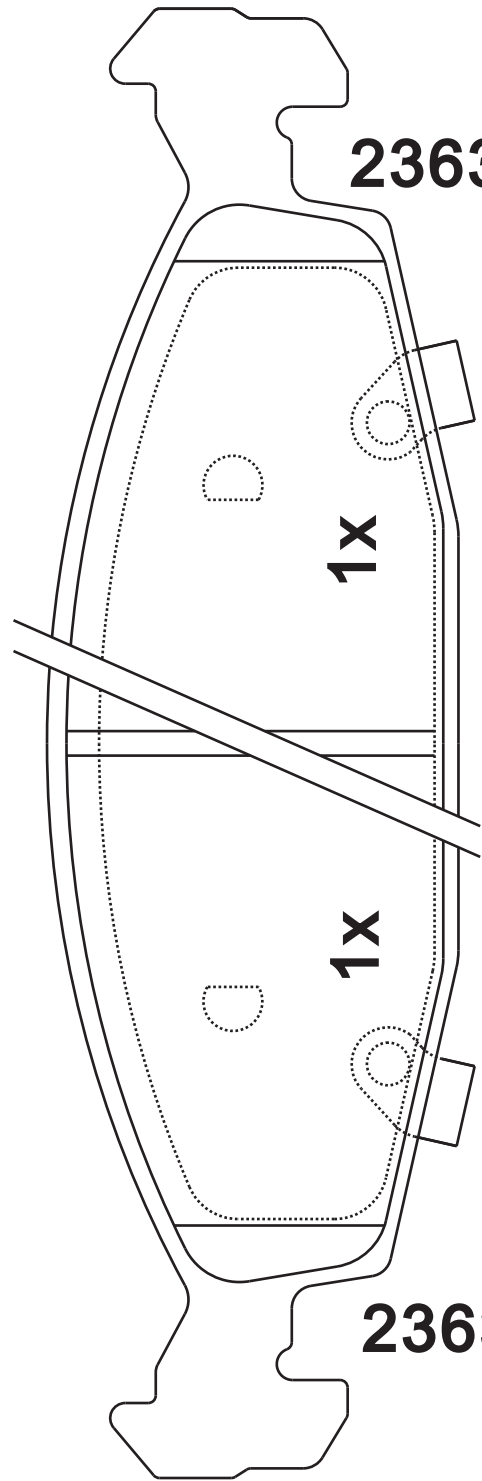
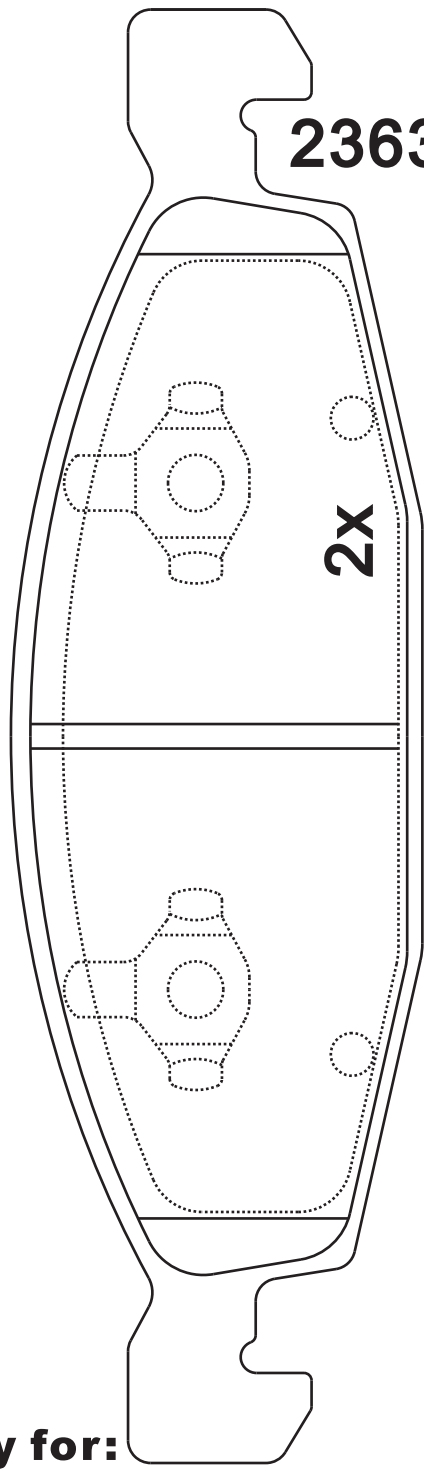


NOTE

**附件包
Accessory bag**



SR0465.01	Dimension (mm)	Thickness (mm)		NOTE
	192.2/194.3×54.4	18.6		2 identical; 2 identical, 1 with acoustic indicator (left), 1 with acoustic indicator (right).



Apply for:

Jeep Grand Cherokee II

Closed off-Road

04.99-09.05

SR0466.01

**Dimension
(mm)**

184.2×59.7
184.2×63.5

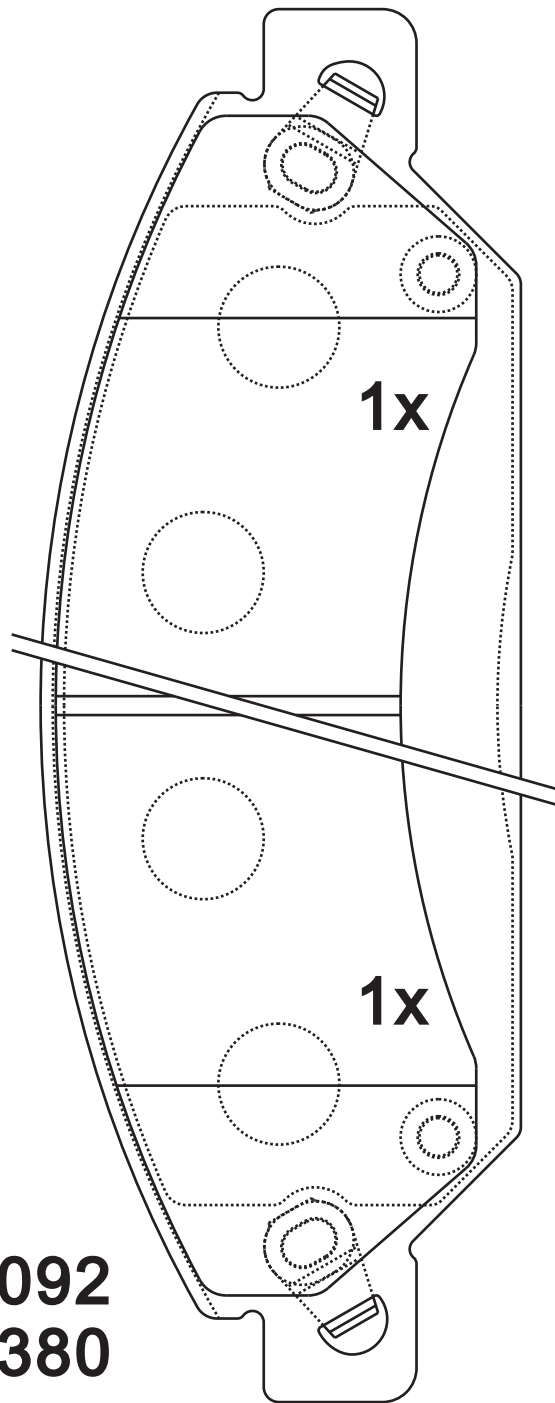
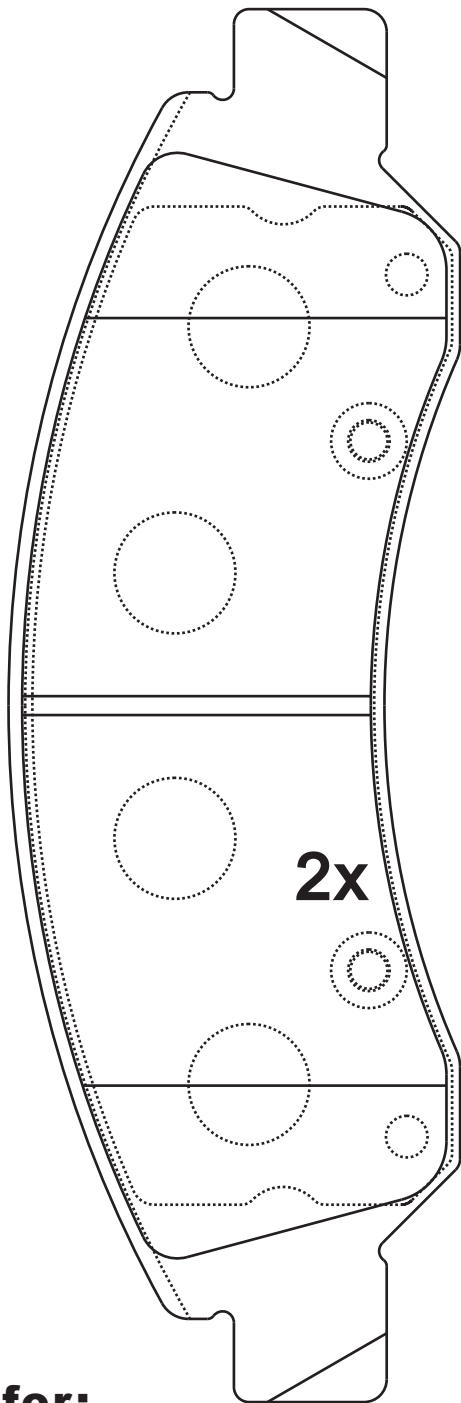
**Thickness
(mm)**

18



NOTE

2 identical; 2 identical,
1 with acoustic indicator
(left), 1 with acoustic
indicator (right).



D1092
D1380

Apply for:

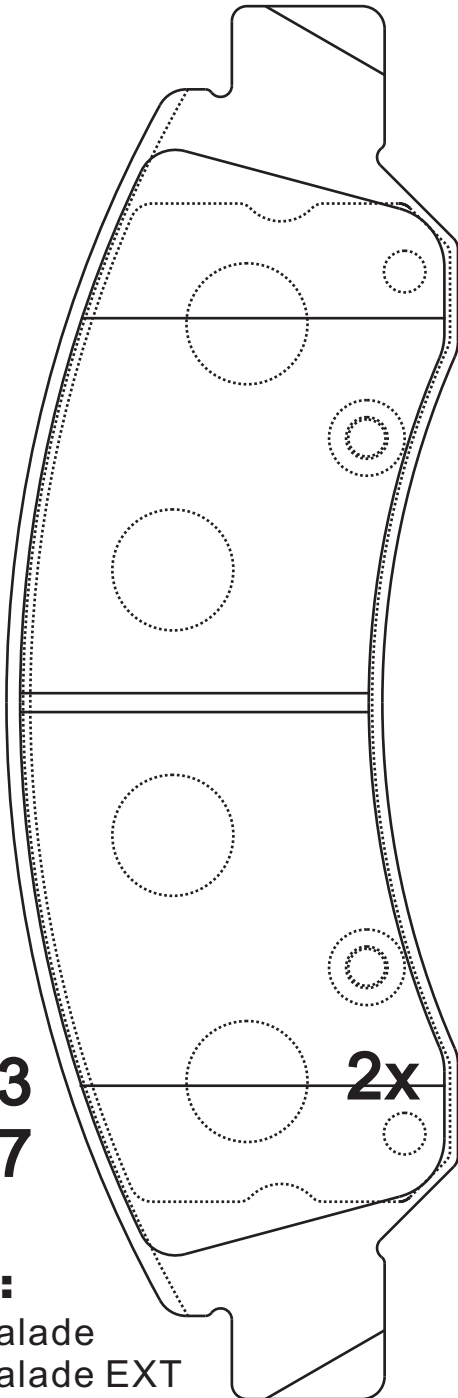
- Cadillac Escalade
- Chevrolet Truck Avalanche
- Silverado
- GMC Truck Sierra 1500
- Sierra Denali
- Yukon
- Yukon XI1500

- 2007-
- 2007-
- 2007-
- 2005-
- 2007-
- 2007-
- 2007-

SR0466.02

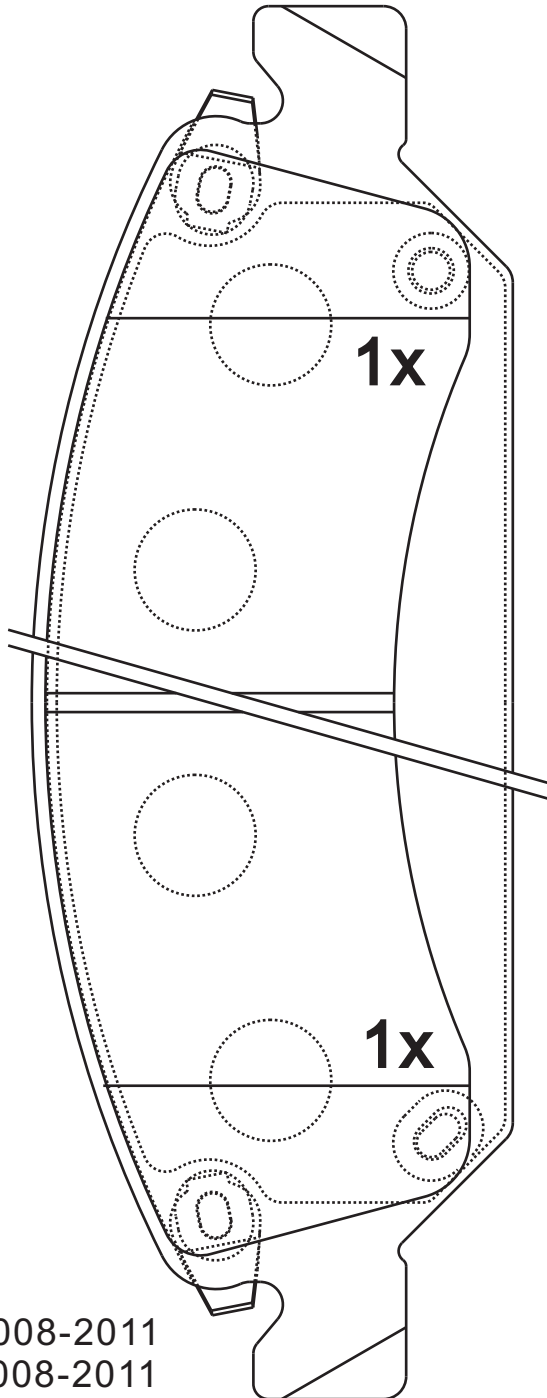
Dimension (mm)	Thickness (mm)	
184.2×59.7 184.2×63.6	18	

NOTE
 2 identical; 2 identical,
 1 with acoustic indicator
 (left), 1 with acoustic
 indicator (right).



D1363
D1367

2x



1x


1x

Apply for:

- Cadillac Escalade
- Cadillac Escalade EXT
- Chevrolet Truck Avalanche
- Chevrolet Truck Express 1500
- Chevrolet Truck Silverado 1500 Hybrid
- Chevrolet Truck Tahoe Police
- GMC Truck Savana 1500
- GMC Truck Sierra 1500 Hybrid
- GMC Truck Sierra Denali
- GMC Truck Yukon XL 1500

- 2008-2011
- 2008-2011
- 2008-2011
- 2009-2011
- 2009-2011
- 2008-2013
- 2009-2011
- 2009-2011
- 2008-2010
- 2008-2011

SR0467.01

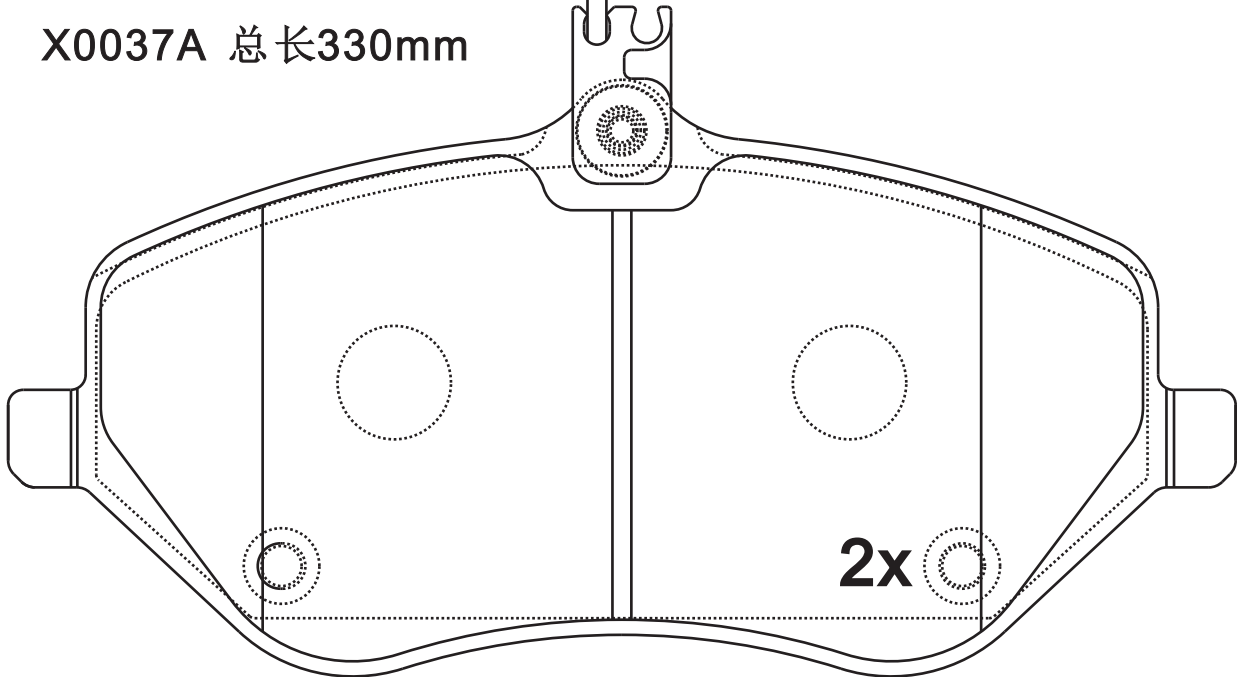
Dimension (mm)	Thickness (mm)	
162.3×78.9	18.5	

NOTE

2 identical with warn indicator:300mm;
2 identical with warn indicator:340mm;



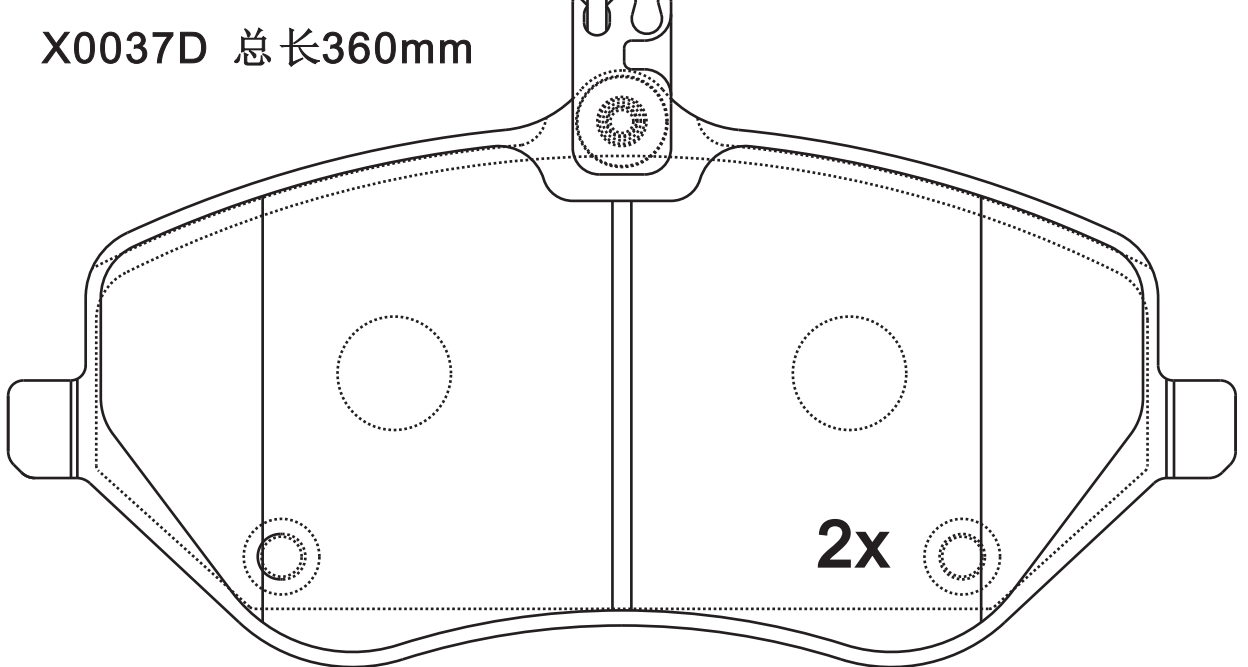
X0037A 总长330mm



24174



X0037D 总长360mm



24133

Apply for:

Citroen C5 III
Citroen C5 III
Citroen C6

Saloon
Estate
Saloon

02.08-
02.08-
06.06-

SR0467.02

**Dimension
(mm)**

162.3×78.9

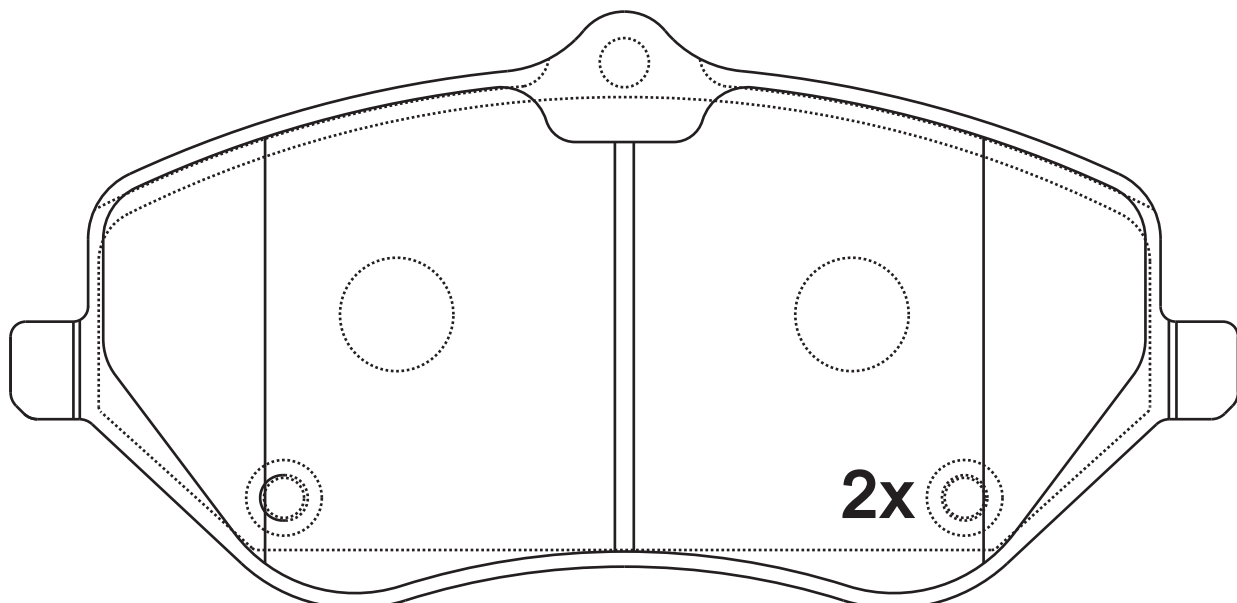
**Thickness
(mm)**

18.5



NOTE

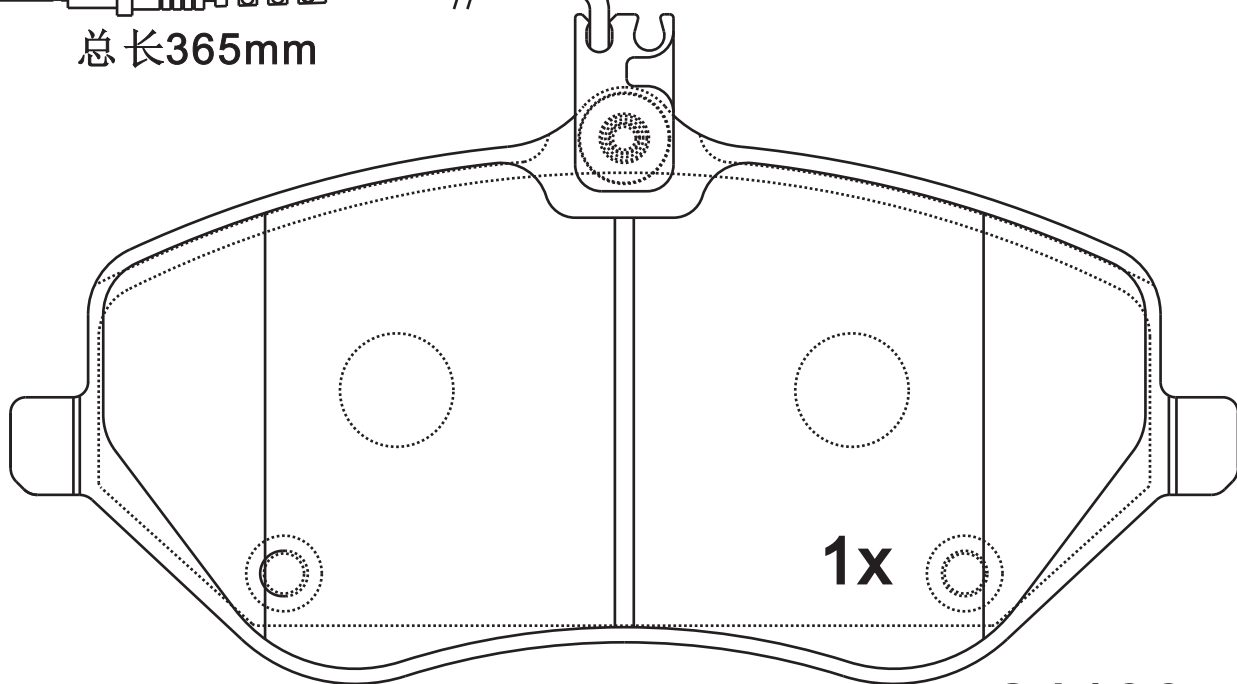
4 identical, 1 with warn indicator: 365mm. 1 with warn indicator: 330mm.



25182



总长365mm



24133

... ..Next

SR0467.02

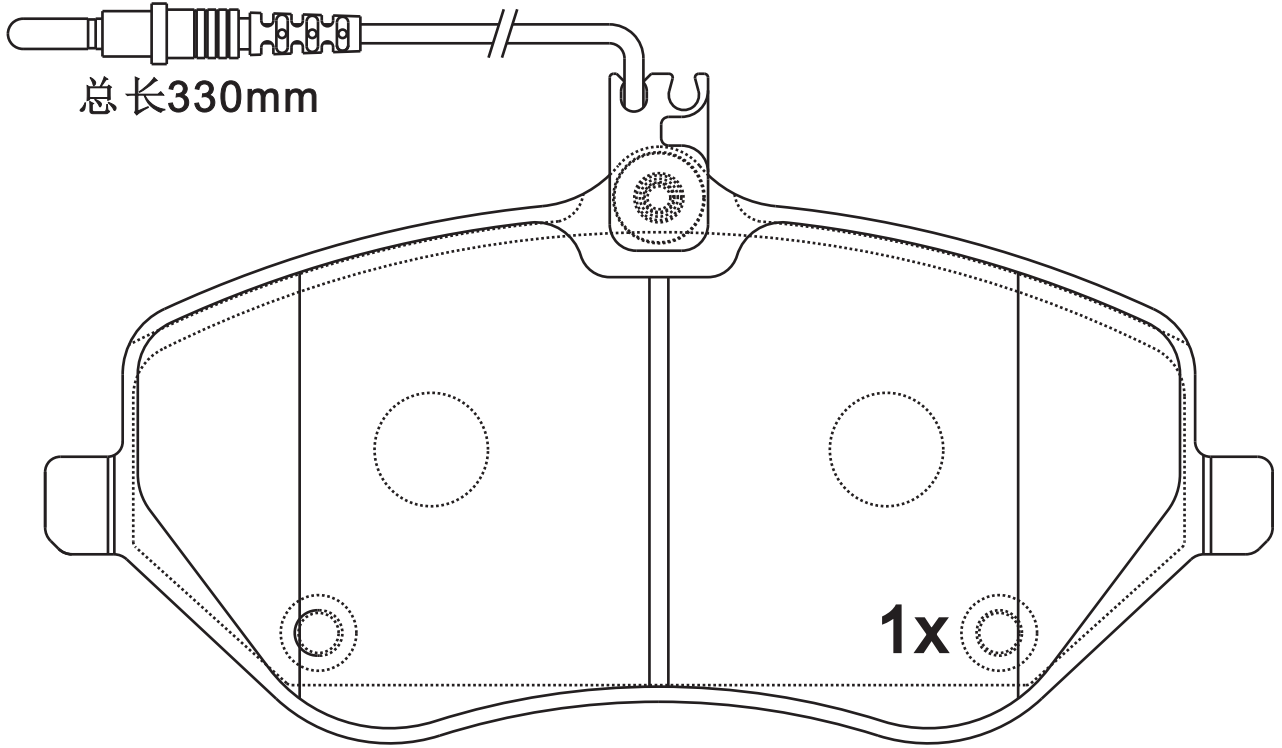
**Dimension
(mm)**

**Thickness
(mm)**



NOTE

4 identical, 1 with warn indicator: 365mm. 1 with warn indicator: 330mm.



24174

Apply for:

Citroen C6 (Td_)
Peugeot 407 (6D_)

2005/09-2012/12
2004/03-

SR0467

**Dimension
(mm)**

**Thickness
(mm)**



NOTE

**附件包
Accessory bag**



M8 x 21



SR0468.01

**Dimension
(mm)**

193.1×80.5

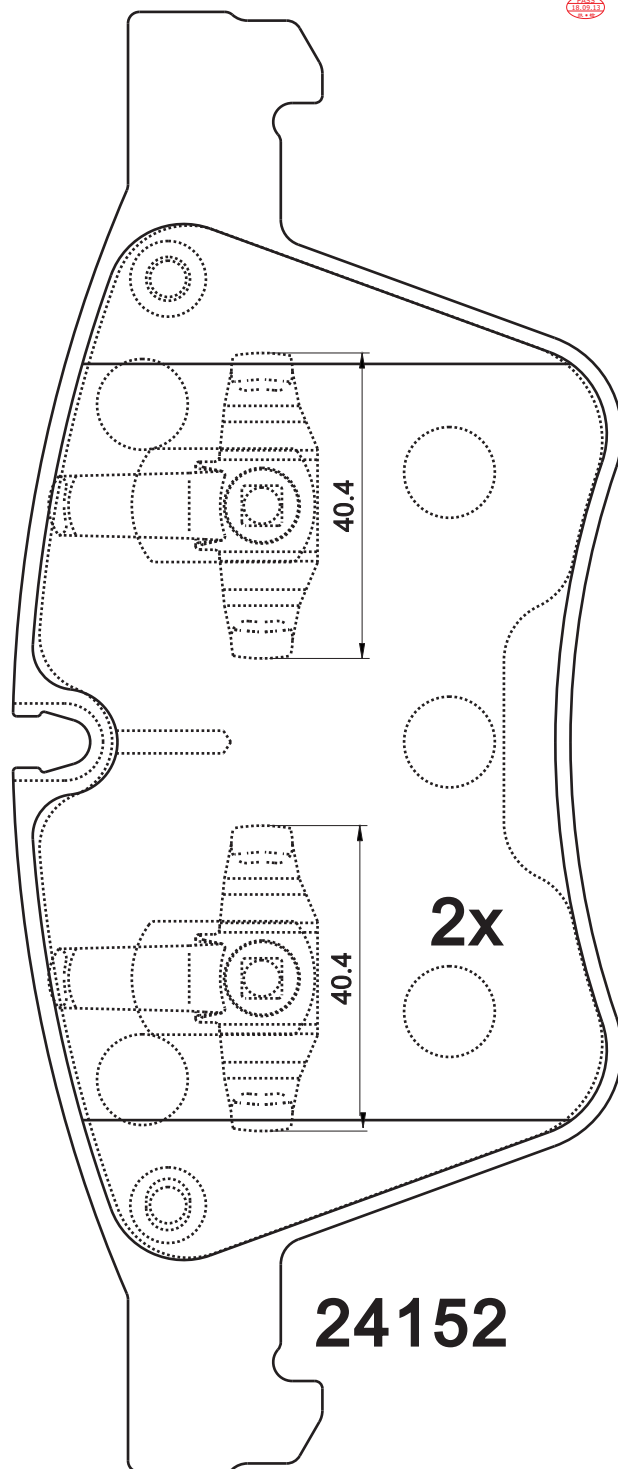
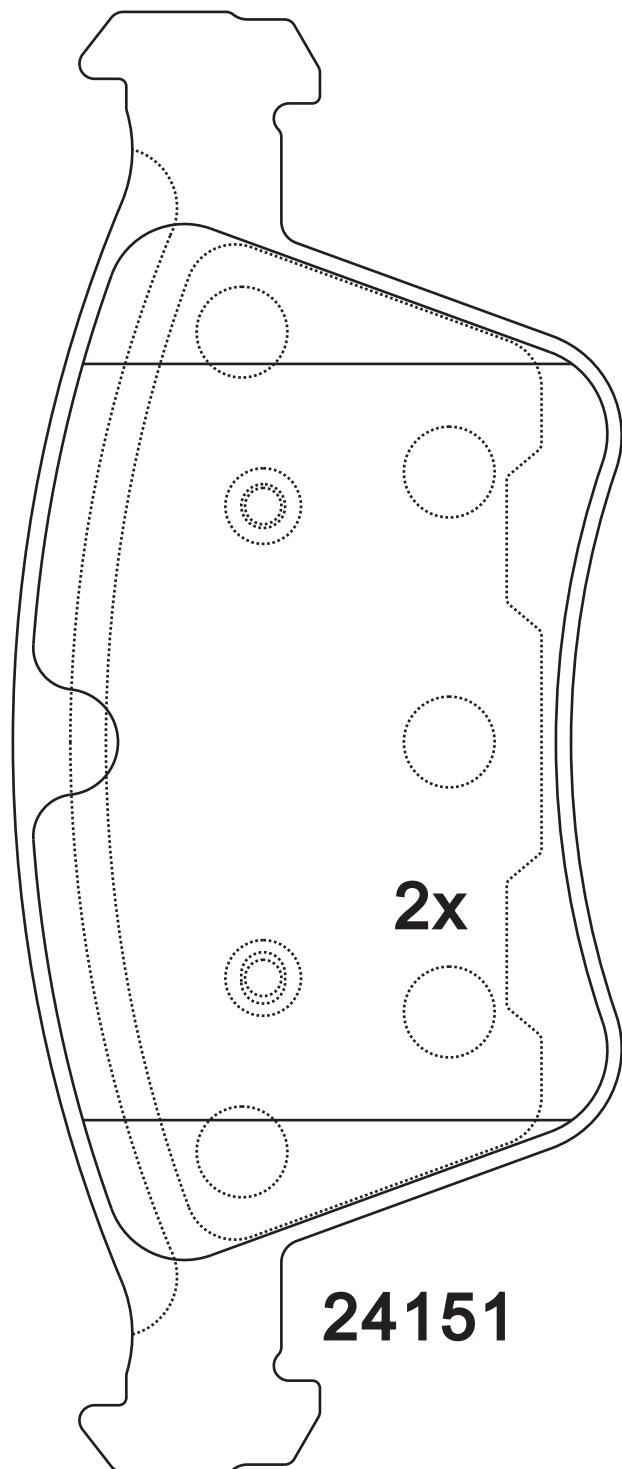
**Thickness
(mm)**

20.3



NOTE

**2 identical, 2 identical
with spring.**




Apply for:

Mercedes GL-class

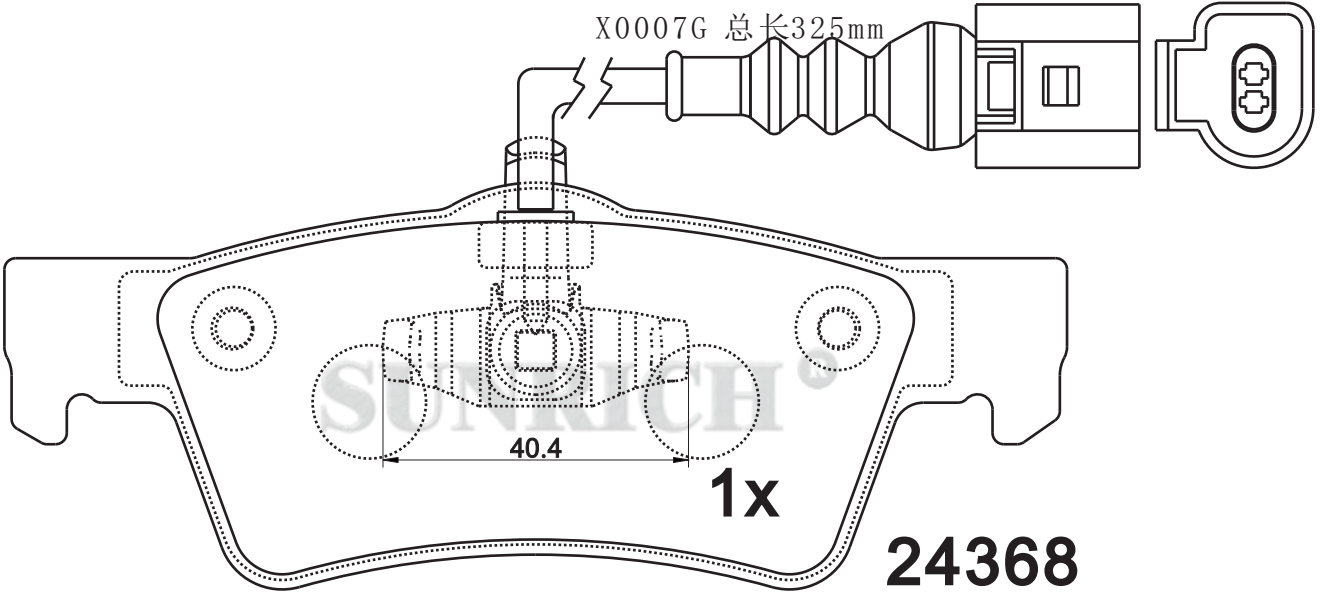
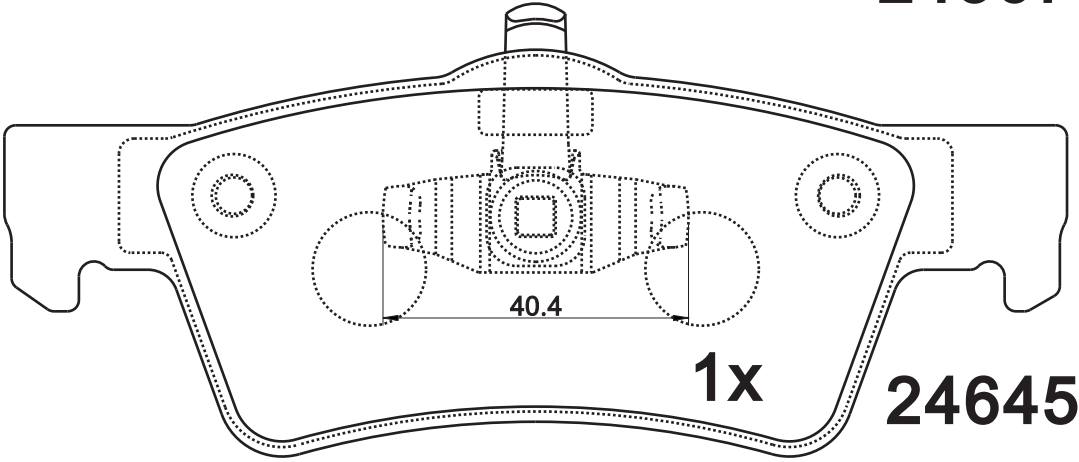
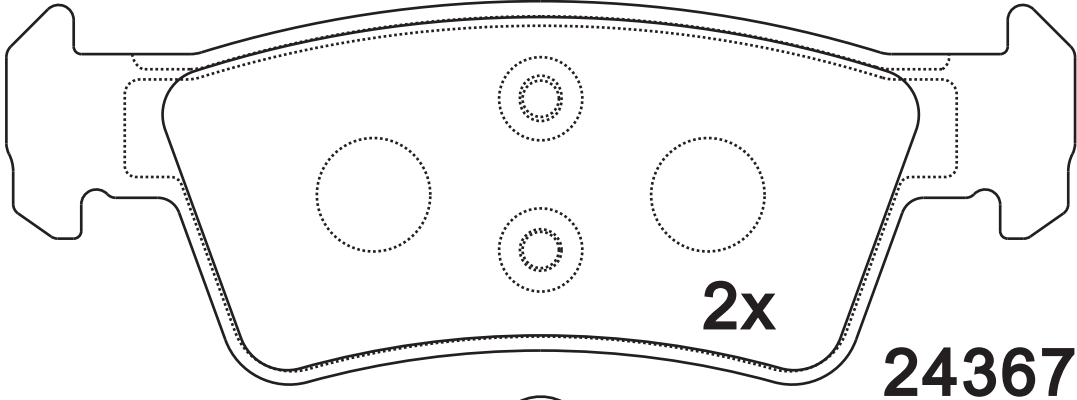
Closed off-Road

09.06-

SR0469.01

Dimension (mm)	Thickness (mm)	
141.3×50.7 140.5×53.8	19.2	

NOTE
2 identical; 2 identical,
1 with warn indicator:
240mm.





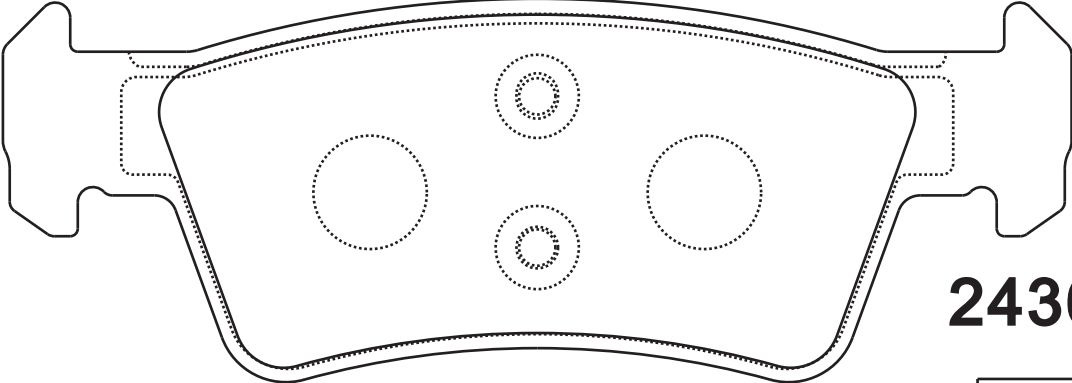
Apply for:

Volkswagen Touareg

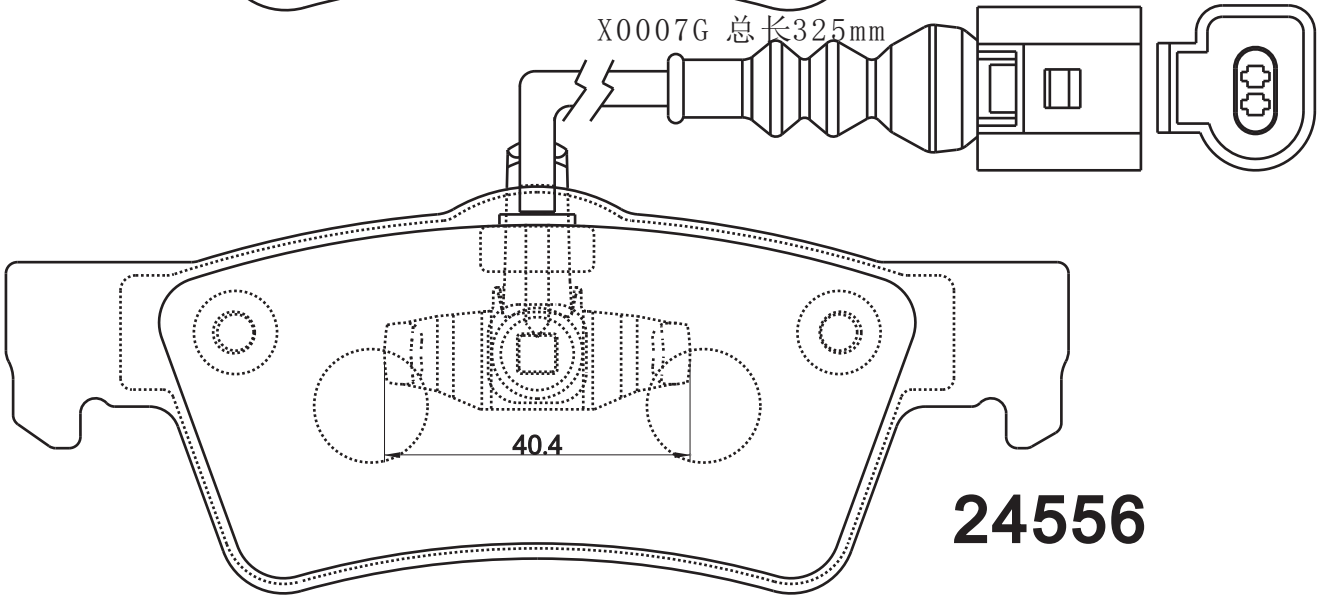
Closed off-Road

12.02-11.06

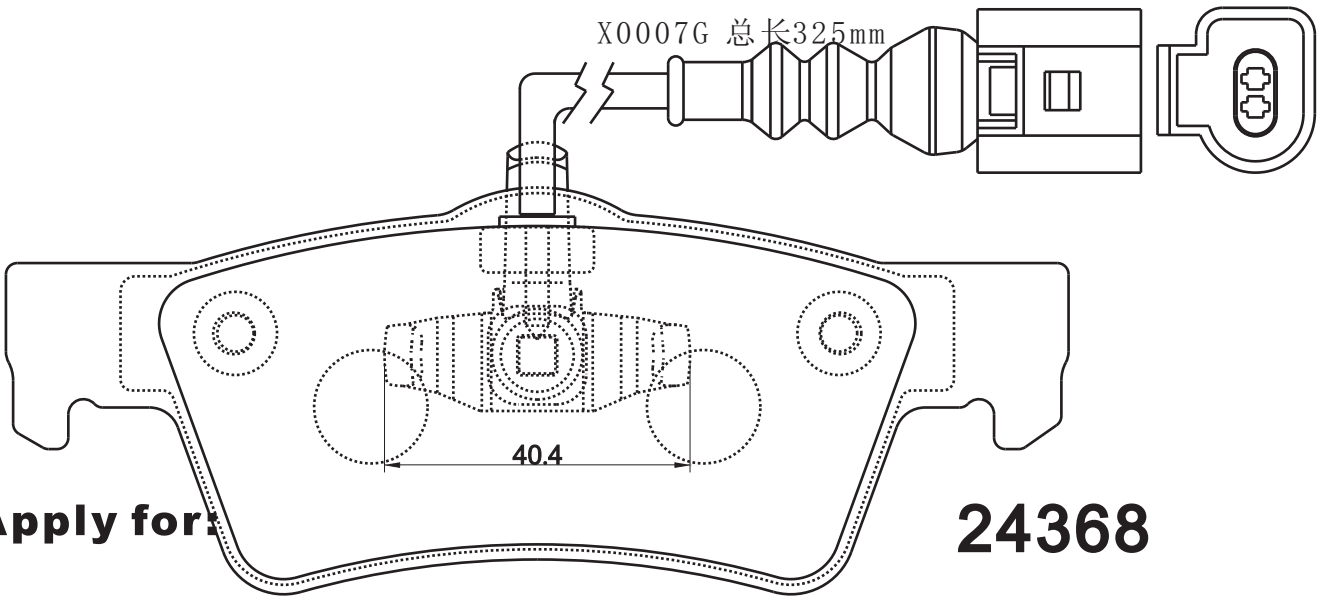
SR0469.02	Dimension (mm)	Thickness (mm)		NOTE 2 identical; 2 identical with warn indicator.
	141.3×50.7 140.5×53.8	19.2		



24367



24556



24368

Apply for:

Volkswagan Touareg Closed off-Road 12.02-11.06

SR0470.01

**Dimension
(mm)**

131.3×59.9

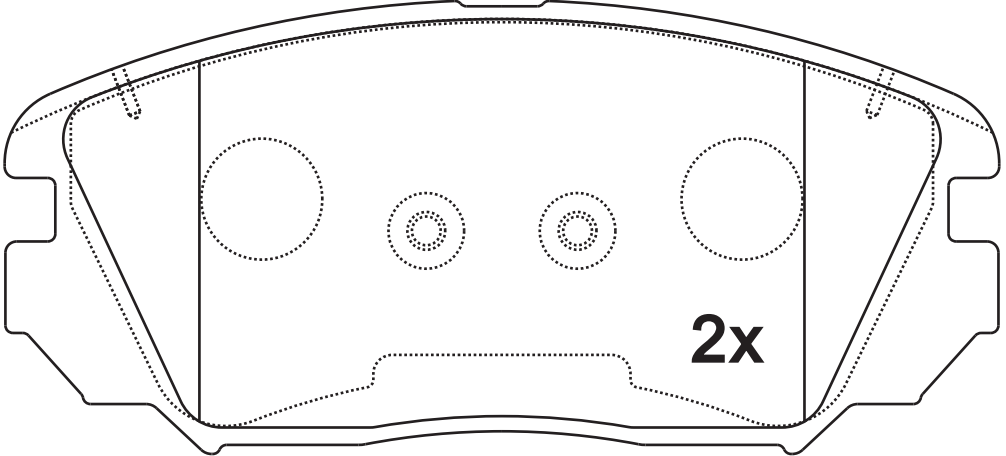
**Thickness
(mm)**

17.5

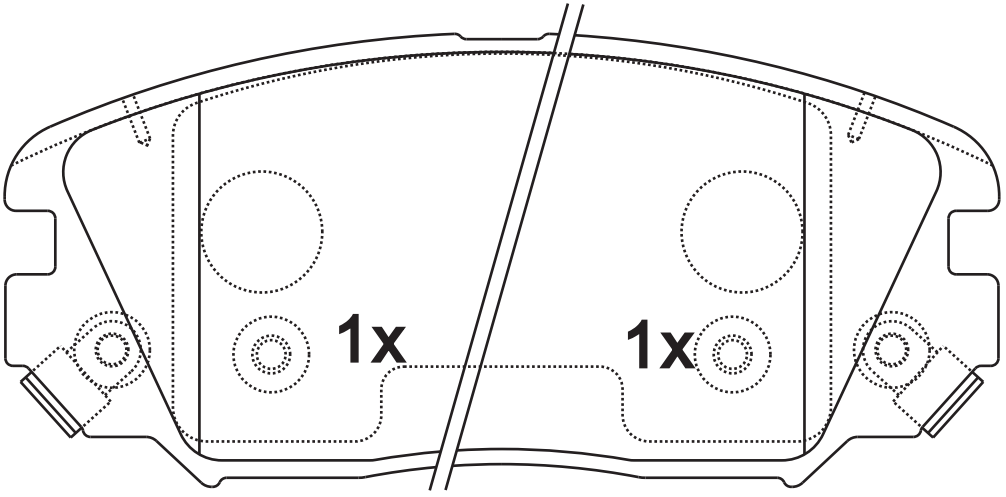


NOTE

4 identical, 1 with acoustic indicator (left), 1 with acoustic indicator (right).



24618



24619

1x

24620

Apply for:

Hyundai Grandeur
Hyundai Sonata V

Saloon
Saloon

04.05-
01.05-

SR0471.01

**Dimension
(mm)**

119.7×47.5

**Thickness
(mm)**

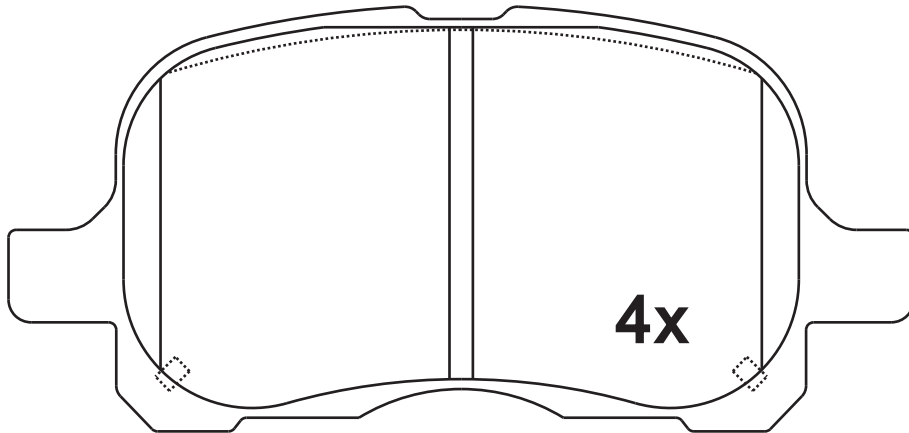
16.5



NOTE

4 identical;

无模具



23294

Apply for:

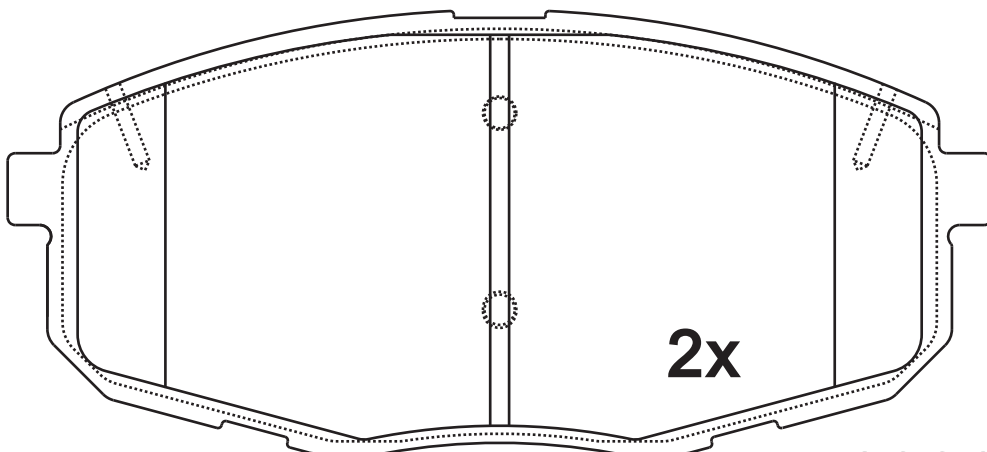
Toyota Corolla
Toyota Corolla
Toyota Corolla

Saloon 04.97-01.02
Hatchback 04.97-01.02
Estate 04.97-01.02

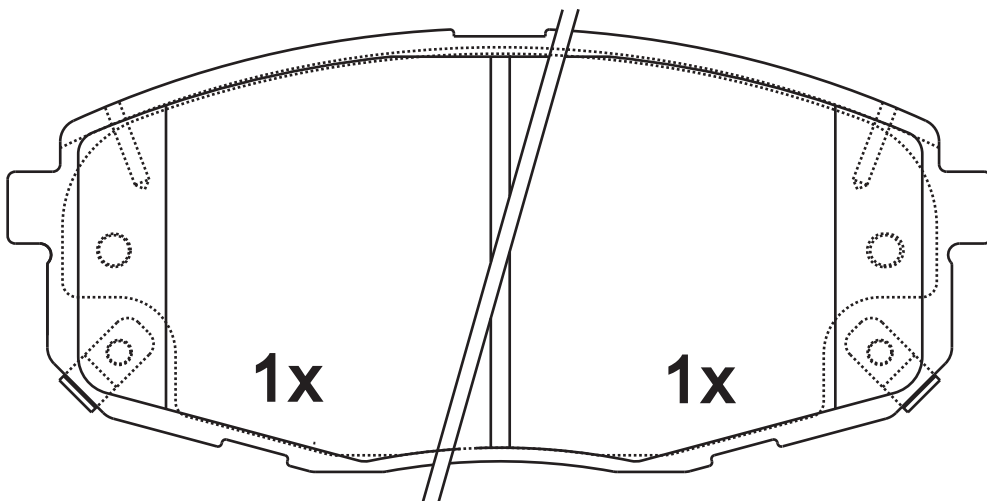
SR0472.01

Dimension (mm)	Thickness (mm)	
129.7×57.7	17	

NOTE
4 identical, 1 with acoustic indicator (left), 1 with acoustic indicator (right).



23966



23987

23988

Apply for:

Hyundai i30	Hatchback	10.07-11.11
Hyundai i30	Estate	02.08-06.12
Kia Carens II	MPV	07.02-
Kia CEE'D	Hatchback	12.06-
Kia CEE'D	Estate	09.07-
Kia Pro CEE'D	Hatchback	02.08-

SR0472.02

**Dimension
(mm)**

129.7×57.7

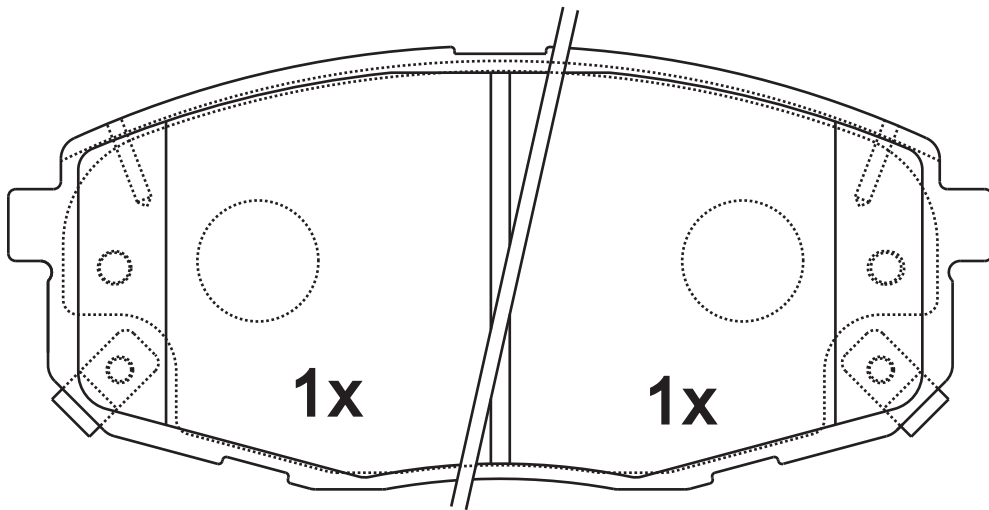
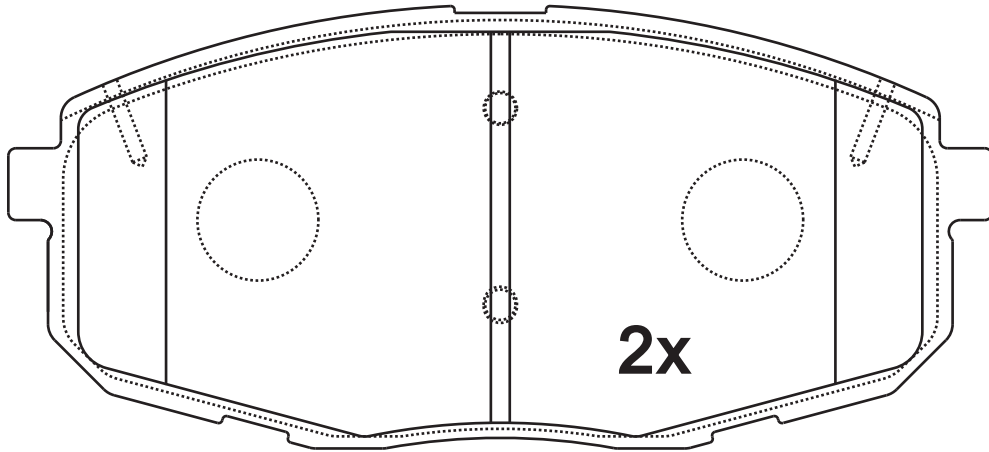
**Thickness
(mm)**

17



NOTE

4 identical, 1 with
acoustic indicator (left),
1 with acoustic indicator
(right).



Apply for:

Changan (Chana) Eado Hatchback	2013/08-
Hyundai I30 (Fd)	2007/10-2011/11
Hyundai (Beijing) Elantra	2008/04-
Kia Carens Ii Mpv (Fj)	2002/07-
Kia (Dyk) Forte	2009/06-2017/11

SR0472

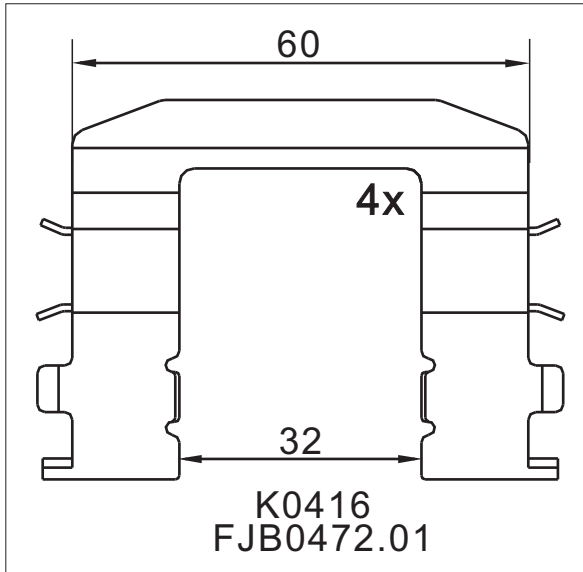
**Dimension
(mm)**

**Thickness
(mm)**



NOTE

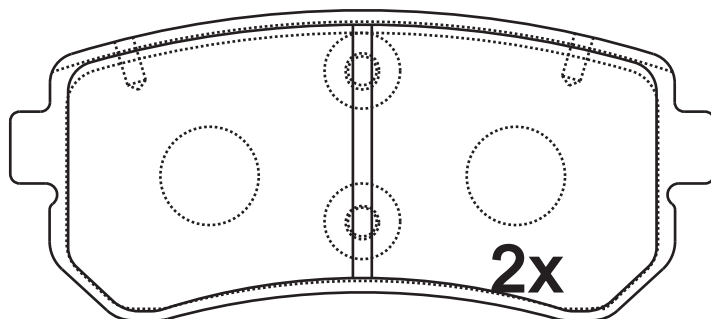
**附件包
Accessory bag**



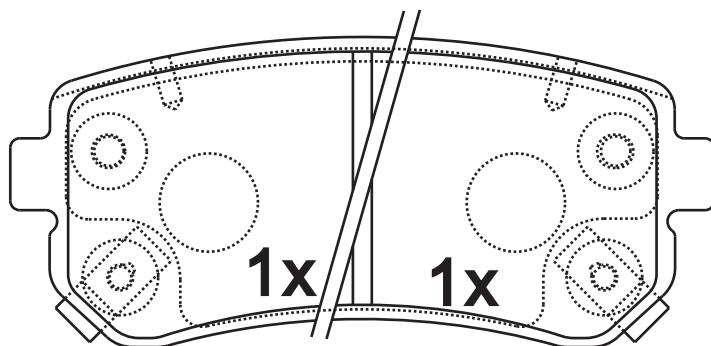
SR0473.01

Dimension (mm)	Thickness (mm)	
93.1×41	16	

NOTE
4 identical, 1 with acoustic indicator (left), 1 with acoustic indicator (right).



24320





24322

24321

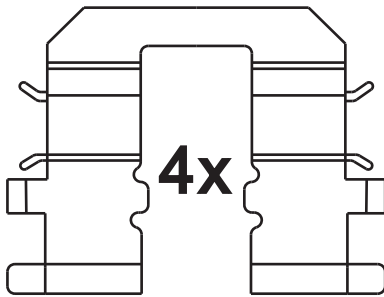
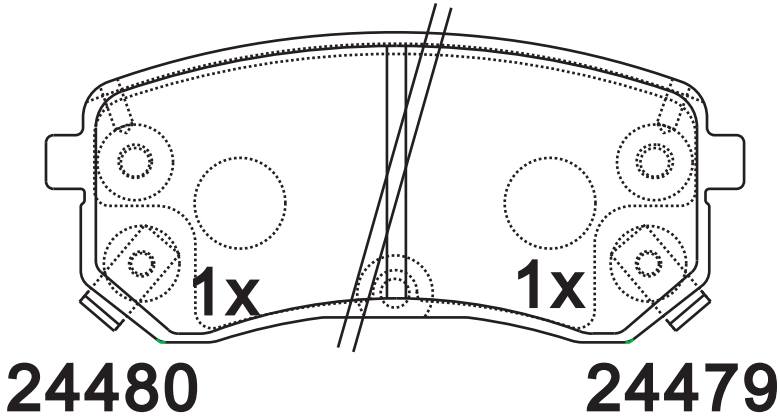
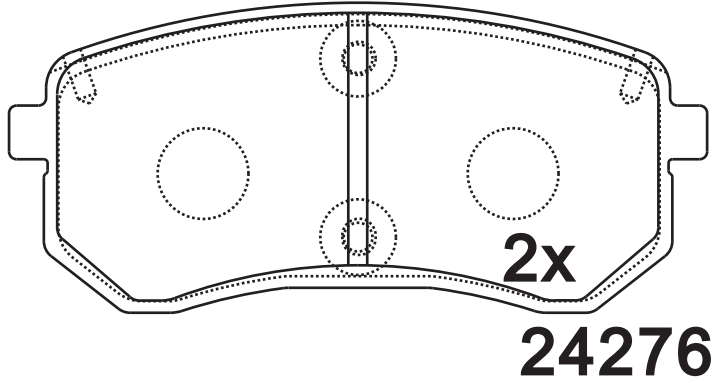
Apply for:

Hyundai Accent III	Hatchback	11.05-11.10
Hyundai Accent	Saloon	11.05-11.10
Hyundai i20	Hatchback	09.08-
Hyundai i30	Hatchback	10.07-11.11
Hyundai i30	Estate	02.08-06.12
Hyundai ix35	Closed off-Road	01.10-
Hyundai Sonata V	Saloon	01.08-

SR0473.02

Dimension (mm)	Thickness (mm)	
92.4×41	14.8	

NOTE
4 identical, 1 with
acoustic indicator (left),
1 with acoustic indicator
(right).



Apply for:

Hyundai ix35 (China)

2010-2013

SR0473.03**Dimension
(mm)**

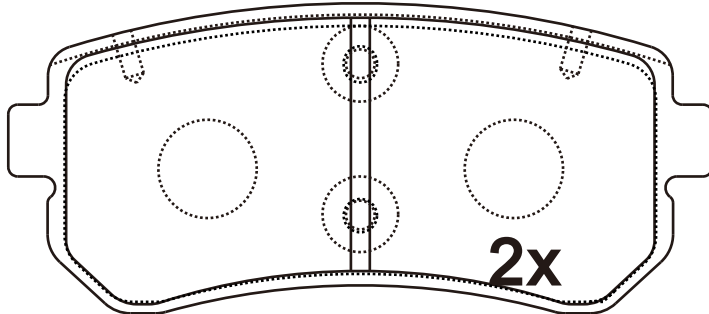
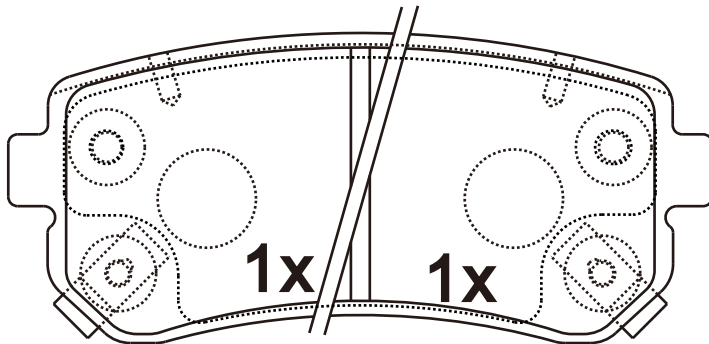
93.1×41

**Thickness
(mm)**

16.1/15.6

**NOTE**

4 identical, 1 with acoustic indicator (left),
1 with acoustic indicator (right).

**24320****24322****24321****Apply for:**

Hyundai Accent III	Hatchback	11.05-11.10
Hyundai Accent	Saloon	11.05-11.10
Hyundai i20	Hatchback	09.08-
Hyundai i30	Hatchback	10.07-11.11
Hyundai i30	Estate	02.08-06.12
Hyundai ix35	Closed off-Road	01.10-
Hyundai Sonata V	Saloon	01.08-

SR0473

**Dimension
(mm)**

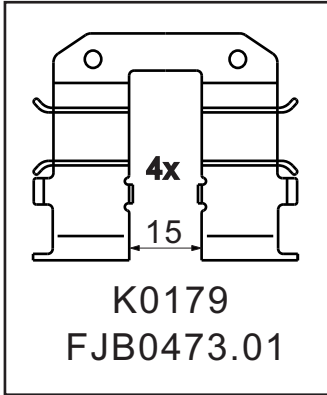
**Thickness
(mm)**



NOTE

附件包

Accessory kit



SR0474.01

**Dimension
(mm)**

129.8×56.1

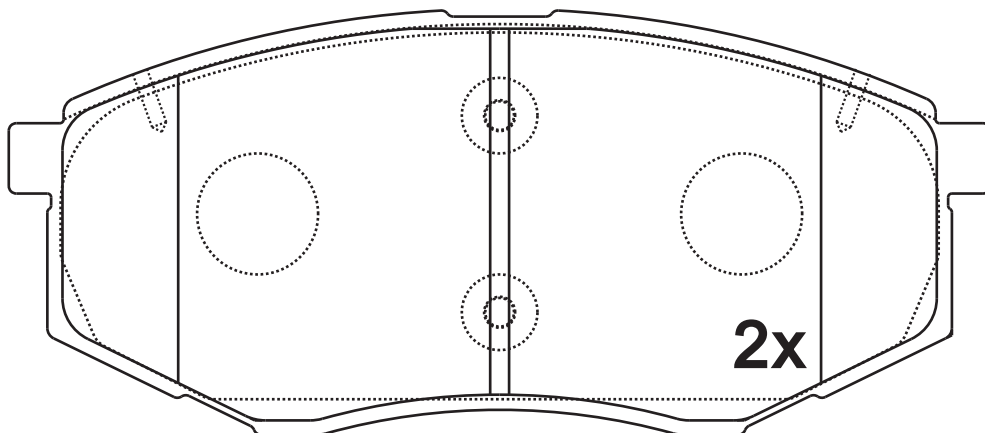
**Thickness
(mm)**

17.8

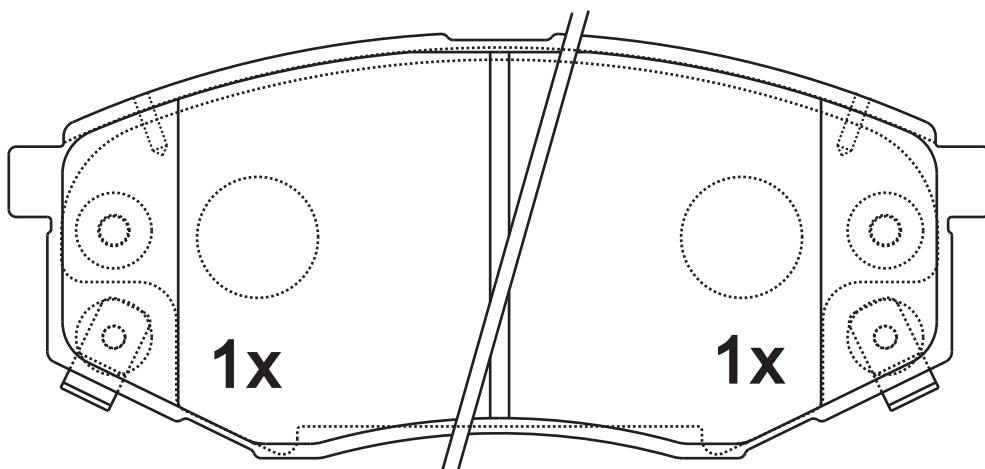


NOTE

4 identical, 1 with acoustic indicator (left), 1 with acoustic indicator (right).



25187



25189

25188

Apply for:

Hyundai i20

Hatchback

2010-

SR0474

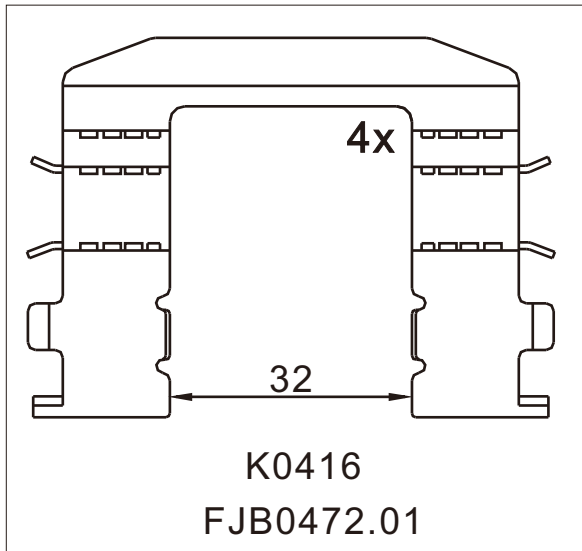
**Dimension
(mm)**

**Thickness
(mm)**



NOTE

**附件包
Accessory bag**



SR0475.01

**Dimension
(mm)**

133.2×48.5

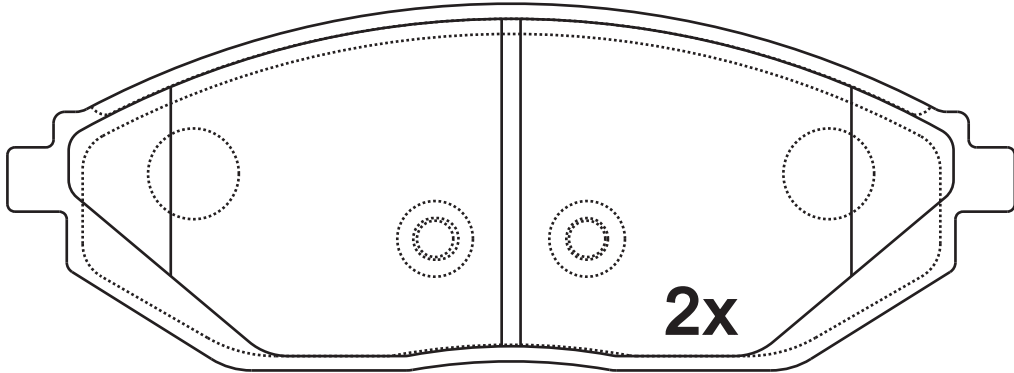
**Thickness
(mm)**

17.5

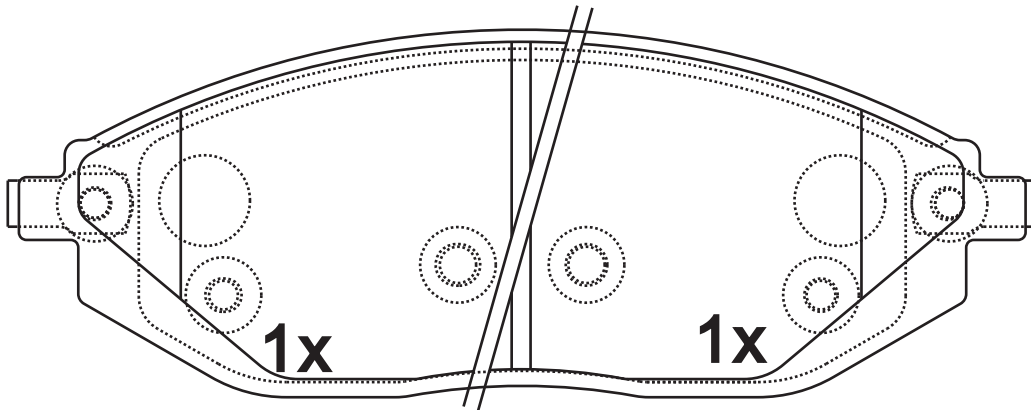


NOTE

4 identical, 1 with acoustic indicator (left), 1 with acoustic indicator (right).



25268



25269

25270

Apply for:

Chevrolet Spark

Hatchback

03.10-

SR0476.01

**Dimension
(mm)**

**Thickness
(mm)**

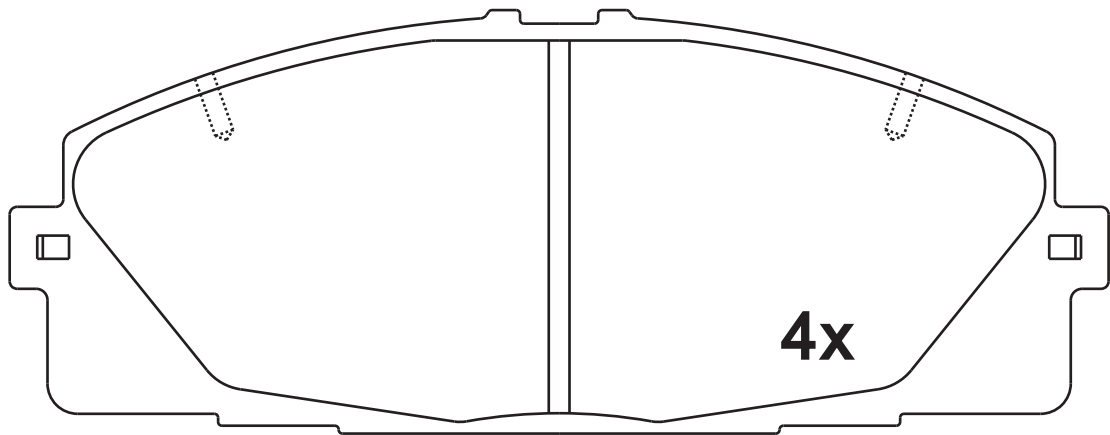


NOTE

4 identical;

145.5×56

15.5



24680

Apply for:

Toyota Hiace
Toyota Hiace

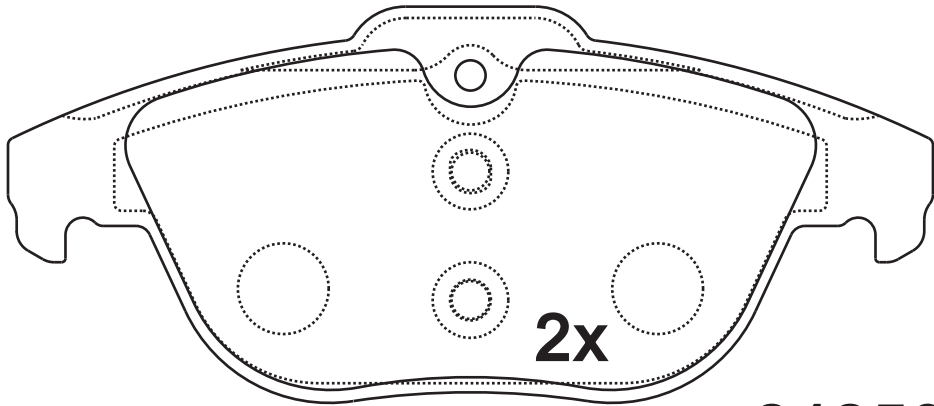
Box
Bus

08.95-
08.95-08.06

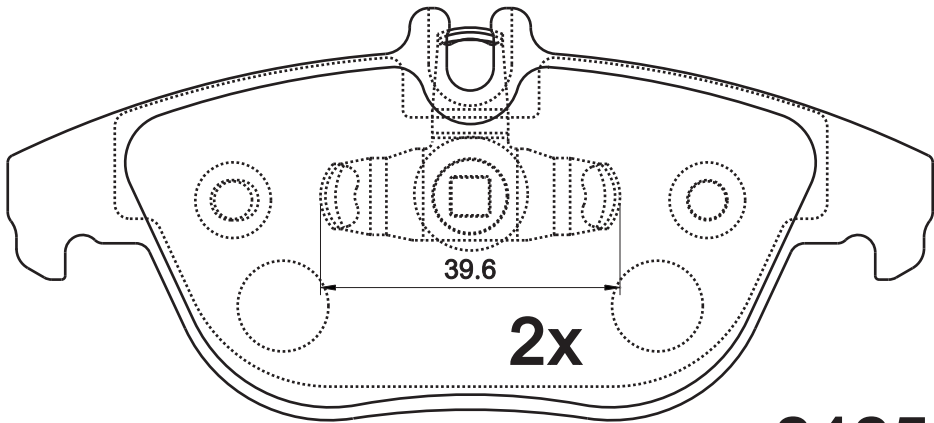
SR0477.01

Dimension (mm)	Thickness (mm)	
122.3×52.4 122.3×54.5	18	

NOTE
2 identical; 2 identical with spring.



24253



24254

Apply for:

Mercedes C-class	Saloon	01.07-
Mercedes C-class	Estate	08.07-
Mercedes E-class	Coupe	01.09-
Mercedes E-class	Convertible	01.10-
Mercedes GLK-class	Closed off-Road	06.08-

SR0477

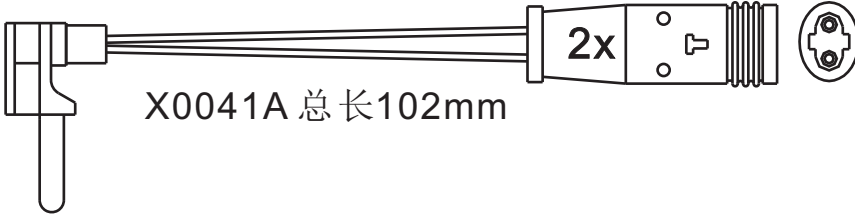
**Dimension
(mm)**

**Thickness
(mm)**



NOTE

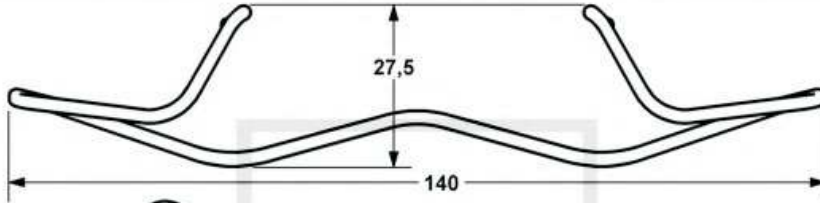
附件包
Accessory bag



X0041A 总长102mm

FJB2X0041A

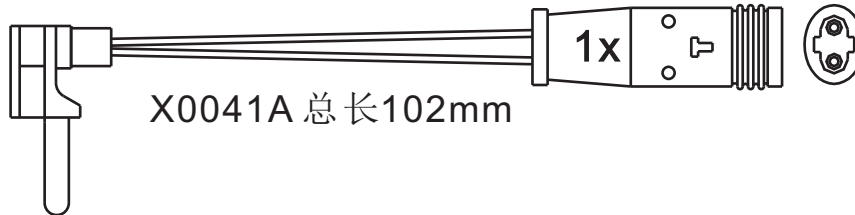
11.8116-0340.1 390595



82503500

T0050

FJB0446.01



X0041A 总长102mm

FJB1X0041A



X0041B 总长97mm

2115401717

FJB2X0041B

SR0478.01

**Dimension
(mm)**

**Thickness
(mm)**

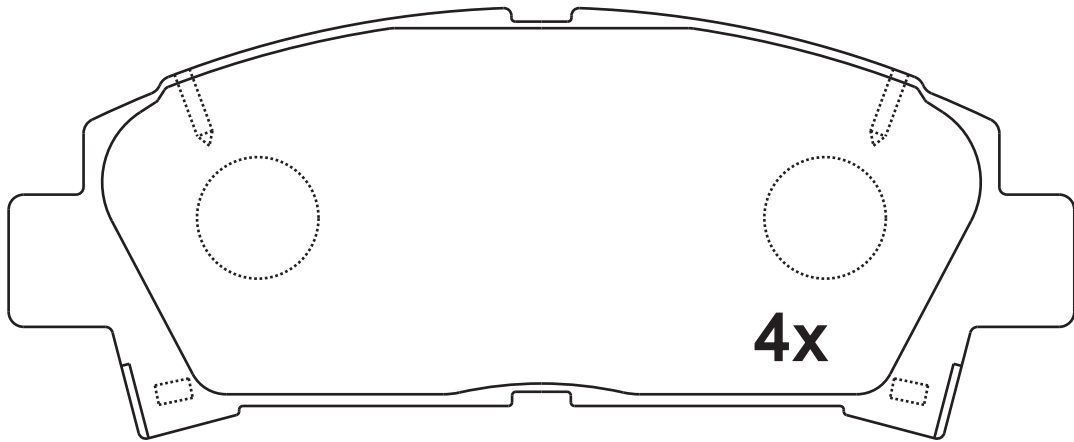


NOTE

4 identical;

140.9×56

15.5



21961



4x

Apply for:

Toyota Avensis	Hatchback	09.97-02.03
Toyota Avensis	Saloon	09.97-02.03
Toyota Avensis	Estate	09.97-02.03
Toyota Carina E	Hatchback	04.92-09.97
Toyota Carina E	Saloon	04.92-09.97
Toyota MR 2 II	Coupe	12.89-05.00

SR0479.01

**Dimension
(mm)**

145.8×71.4

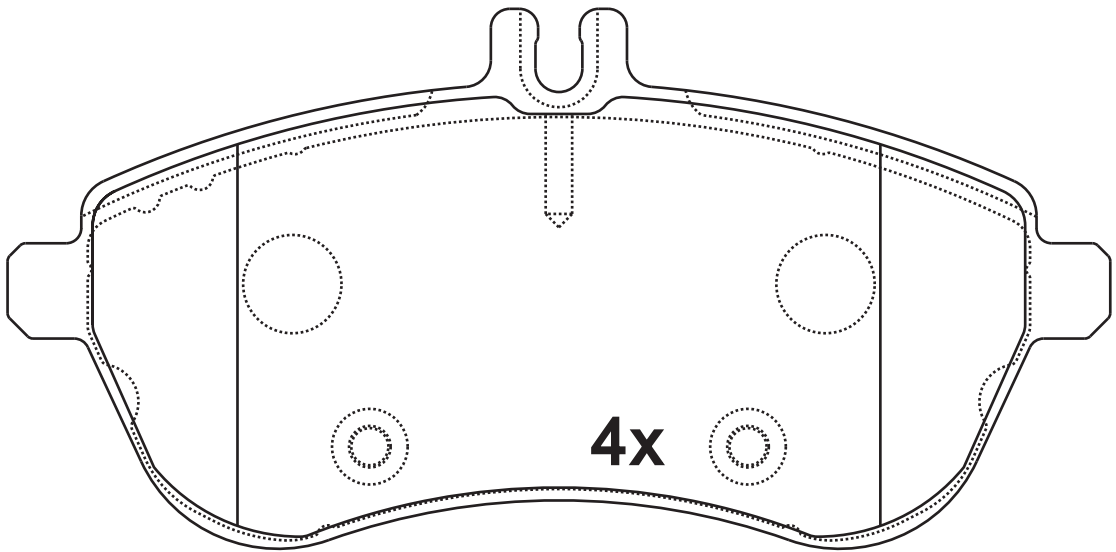
**Thickness
(mm)**

20.3



NOTE

4 identical;



24306

Apply for:

Mercedes C-class	Saloon	01.07-
Mercedes C-class	Estate	08.07-
Mercedes C-class	Coupe	06.11-

SR0479

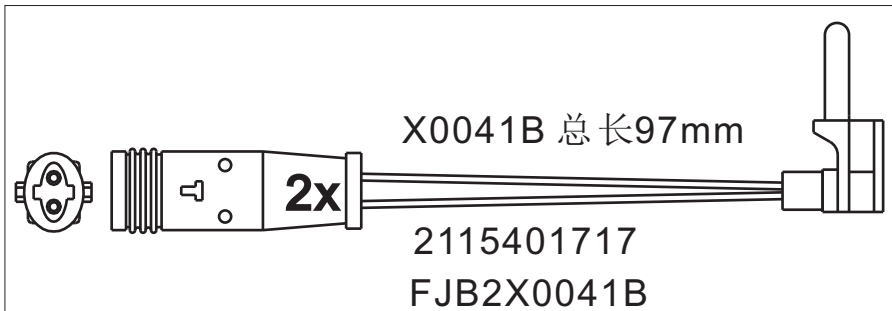
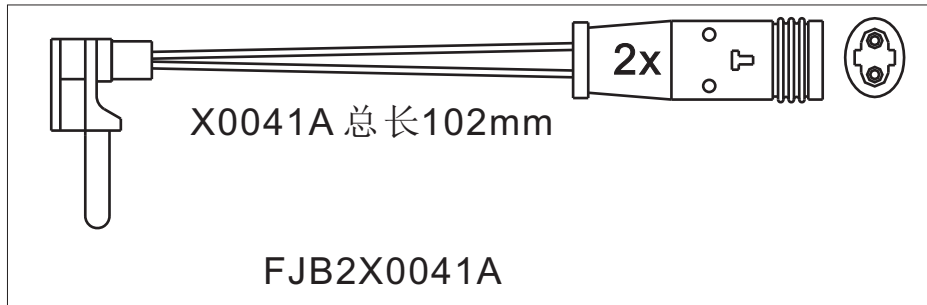
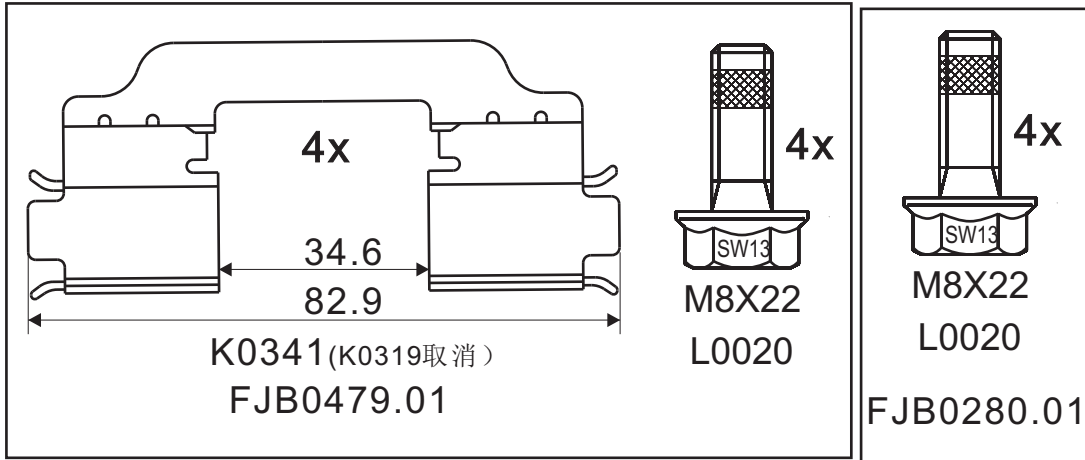
**Dimension
(mm)**

**Thickness
(mm)**



NOTE

**附件包
Accessory bag**



SR0480.01

**Dimension
(mm)**

151.2×53.2

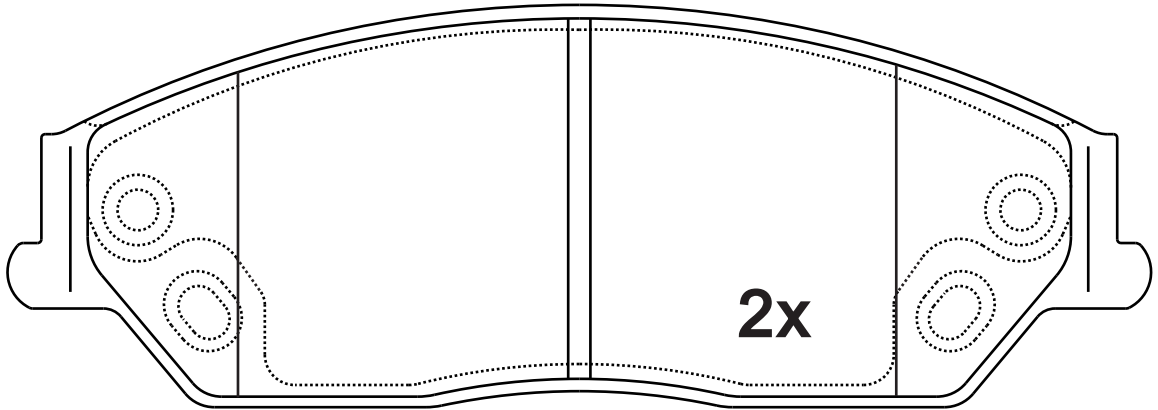
**Thickness
(mm)**

18.8

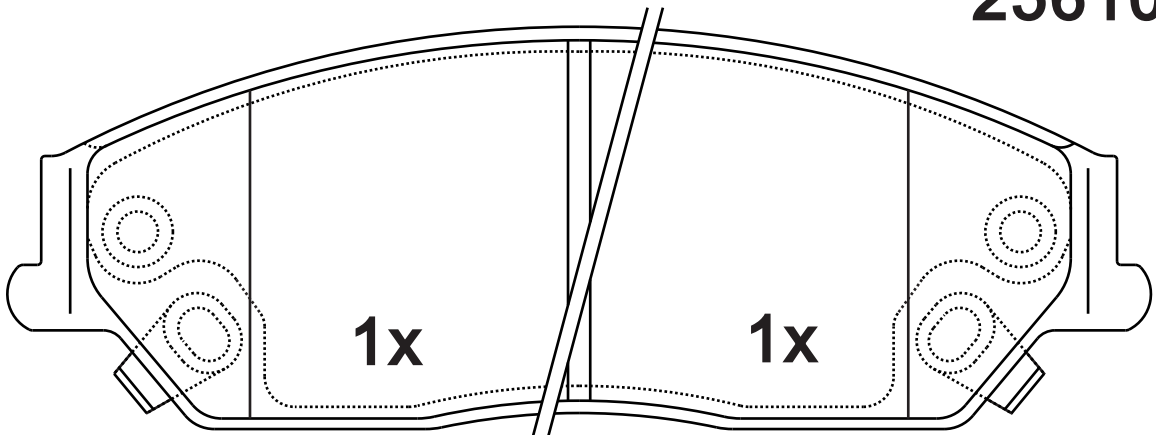


NOTE

4 identical, 1 with acoustic indicator (left), 1 with acoustic indicator (right).



25610



25611

25612

Apply for:

Toyota Camry

Saloon

09.11-

SR0481.01

**Dimension
(mm)**

131.6×55.4

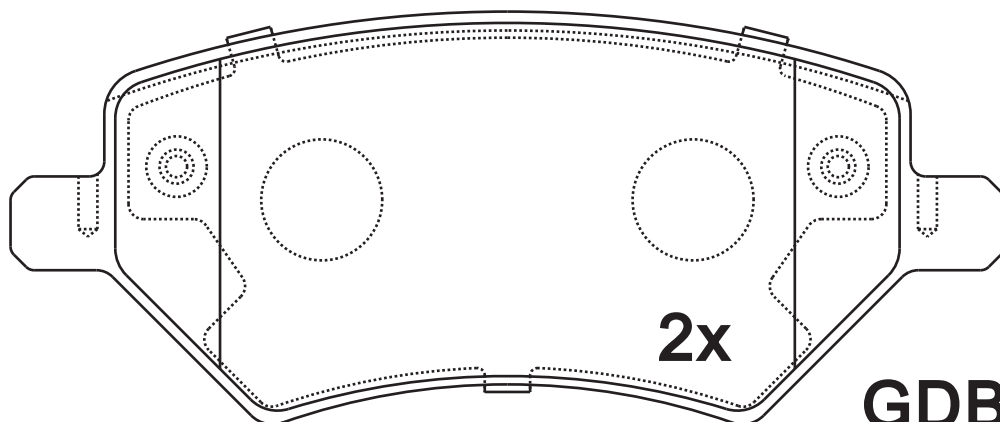
**Thickness
(mm)**

17

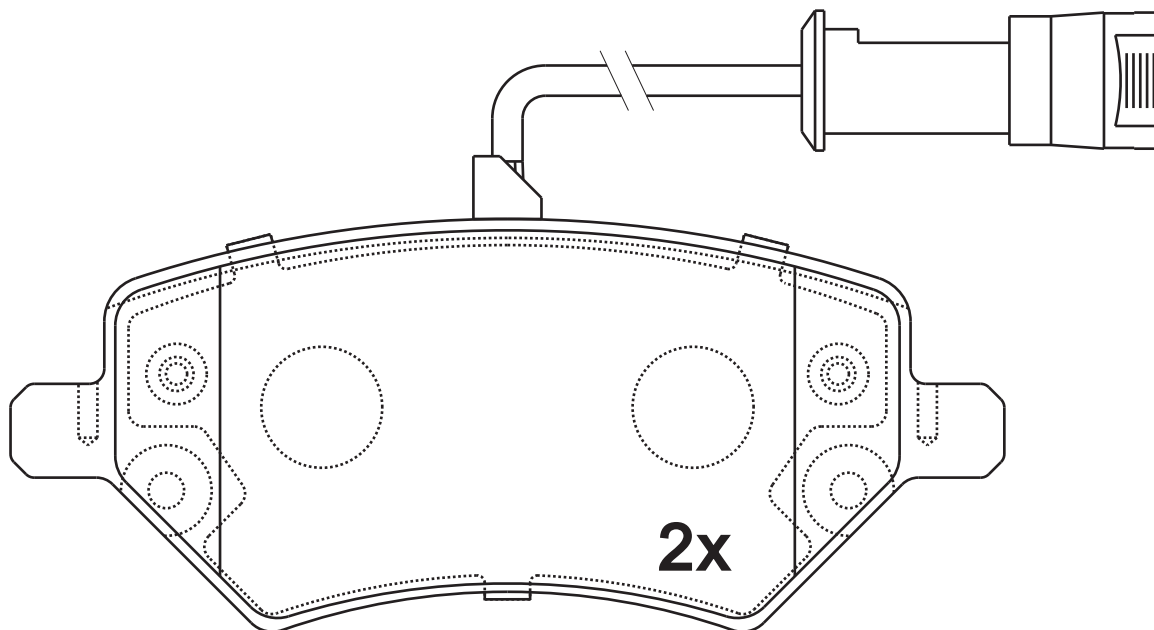


NOTE

**2 identical; 2 identical
with warn indicator.**



GDB7814



Apply for:

Chery A5
Chery E5
Chery Qiyun 3

Saloon
Saloon
Saloon

01.06-
07.11-
05.10-

SR0481.02

**Dimension
(mm)**

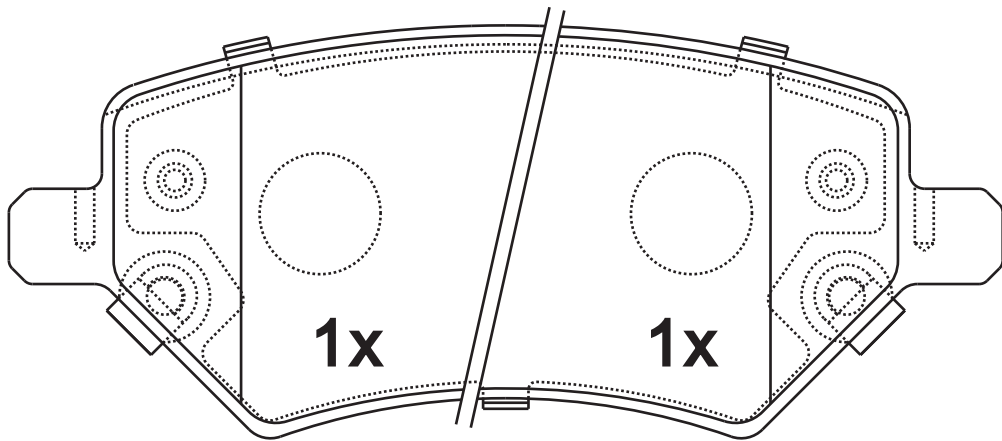
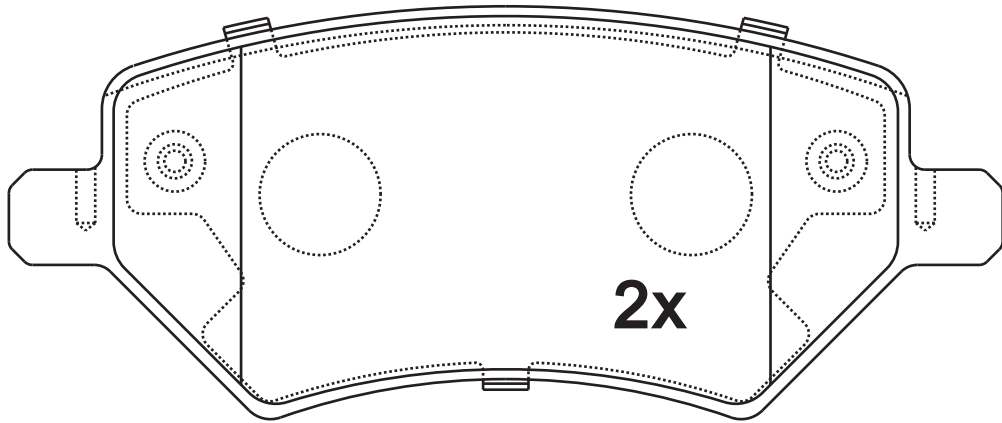
131.6×54.8

**Thickness
(mm)**

17.6



NOTE



L0326

Apply for:

Chery A5
Chery Cowin 3
Chery Tiggo 2

2004/06-
2010/05-
2022--

SR0481.03

**Dimension
(mm)**

131.6×54.8

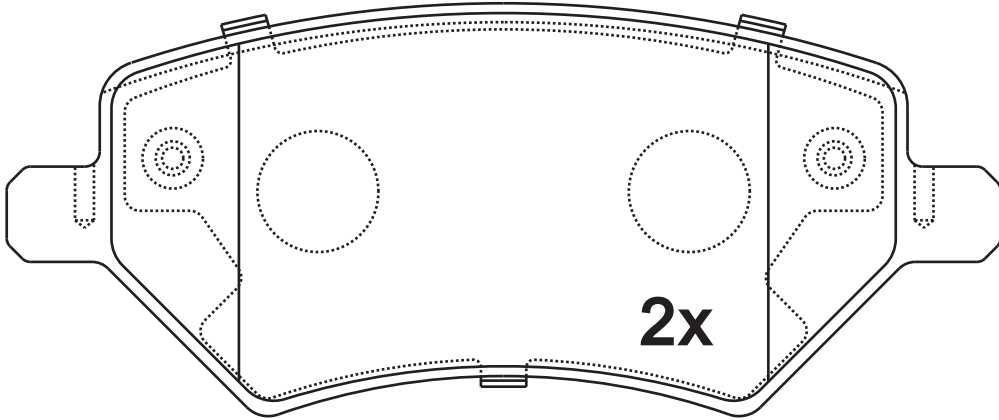
**Thickness
(mm)**

17.6

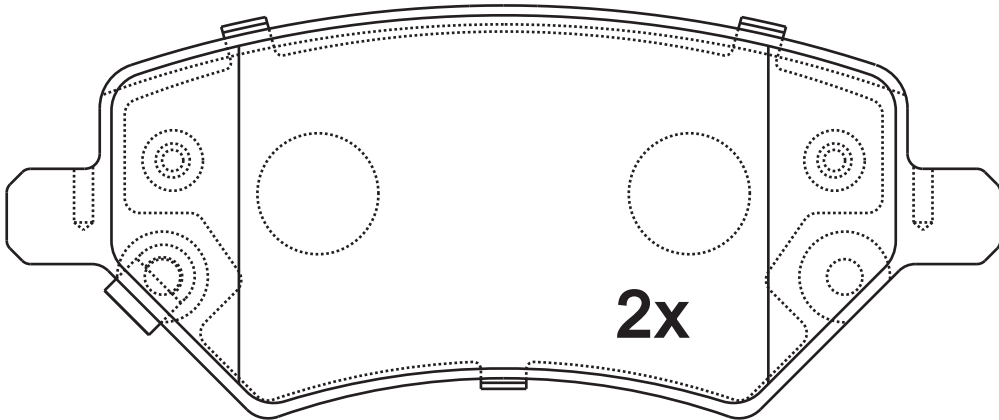


NOTE

**2 identical;2 identical
with warn indicator.**



A12762



Apply for:

Chery E5

2011/07-

SR0481.04

**Dimension
(mm)**

131.6×54.8

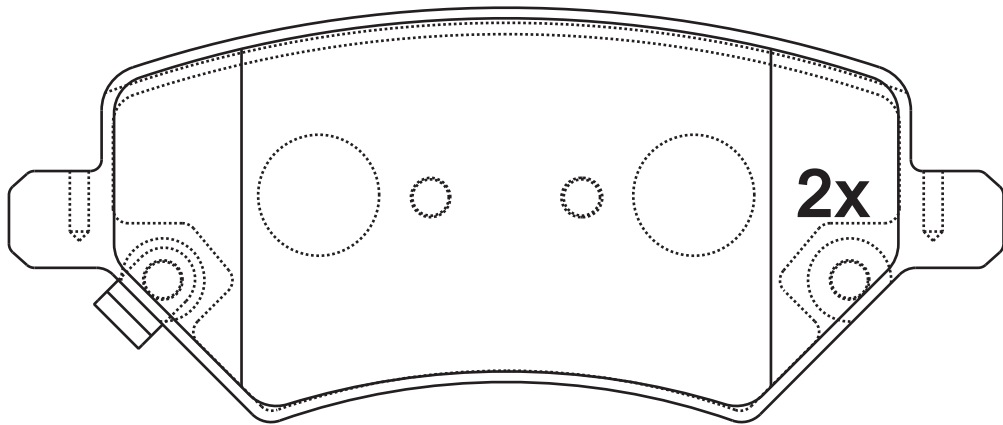
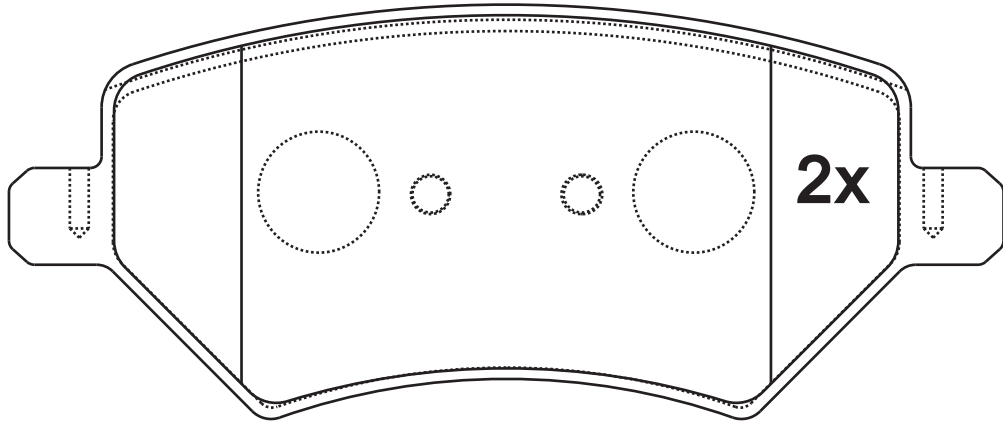
**Thickness
(mm)**

17.4





NOTE

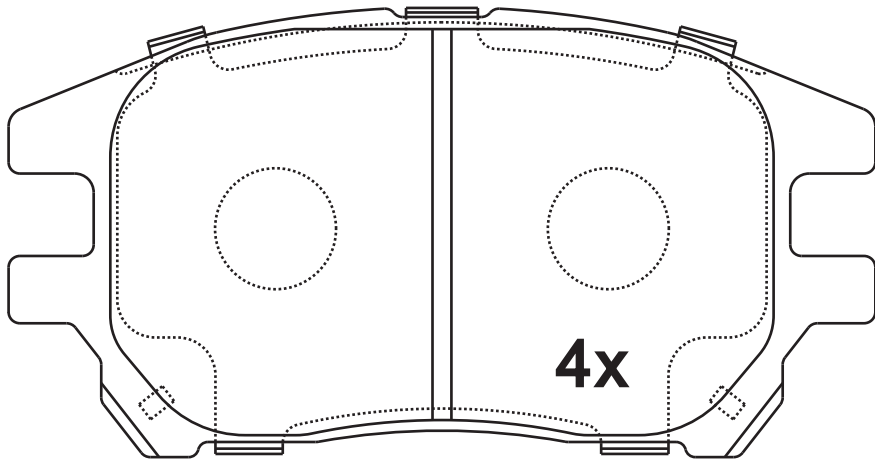
**2 identical; 2 identical
with warn indicator.**



Apply for:

奇瑞	A3两厢	2008/09-2014/12
威麟	X5	2009/09-2014/12
瑞麒	G5	2009/12-

SR0482.01	Dimension (mm)	Thickness (mm)		NOTE 4 identical;
	114.6×59.3	17		



23929

Apply for:

Lexus RX

Closed off-Road

05.03-12.08

SR0483.01

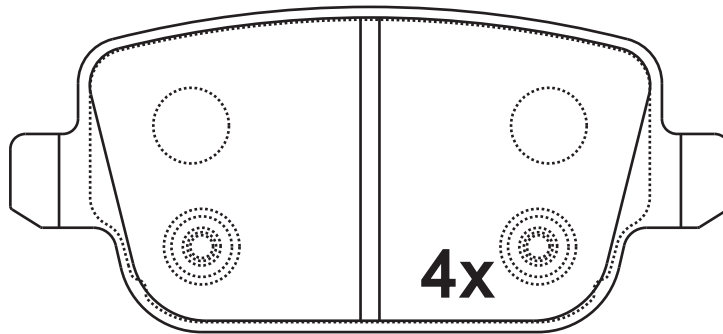
**Dimension
(mm)**

**Thickness
(mm)**



NOTE



4 identical;



24537

Apply for:

Ford Kuga I	Closed off-Road	03.08-
Ford Mondeo IV	Hatchback	03.07-
Ford Mondeo IV	Saloon	03.07-
Ford Mondeo IV	Estate	03.07-
Volvo S80 II	Saloon	03.06-

SR0483.02	Dimension (mm)	Thickness (mm)		NOTE 4 identical;
	95.1×43.2	15.8		



取消 SR0483. 02=SR0483. 01+FJB0025. 01

Apply for:

Ford Kuga I	Closed off-Road	03.08-
Ford Mondeo IV	Hatchback	03.07-
Ford Mondeo IV	Saloon	03.07-
Ford Mondeo IV	Estate	03.07-
Volvo S80 II	Saloon	03.06-

SR0483

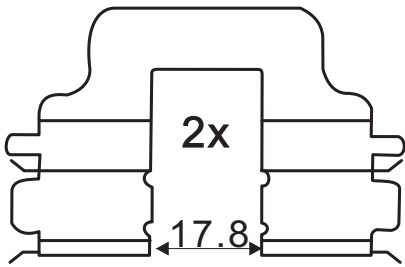
**Dimension
(mm)**

**Thickness
(mm)**

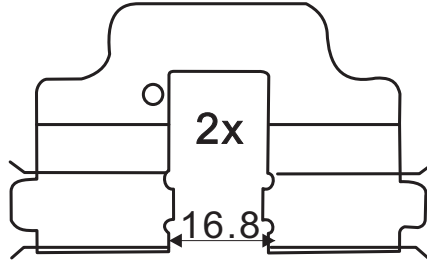


NOTE

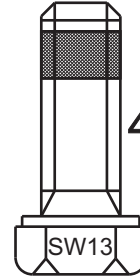
**附件包
Accessory bag**



K0433



K0435

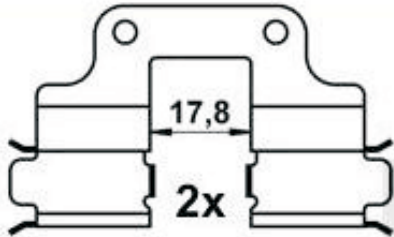


4x

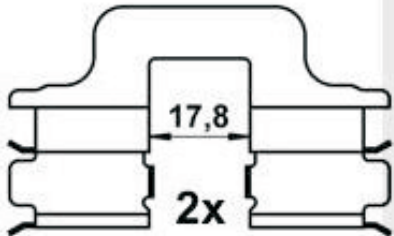
SW13

M8×21
L0010

FJB0483.02



K0131



K0132(用K0433代替)

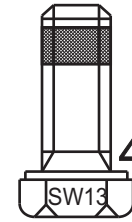


4x

L0010

M8×21

FJB0483.01



4x

SW13

M8×21
L0010

FJB0025.01

SR0484.01

**Dimension
(mm)**

145×55.3

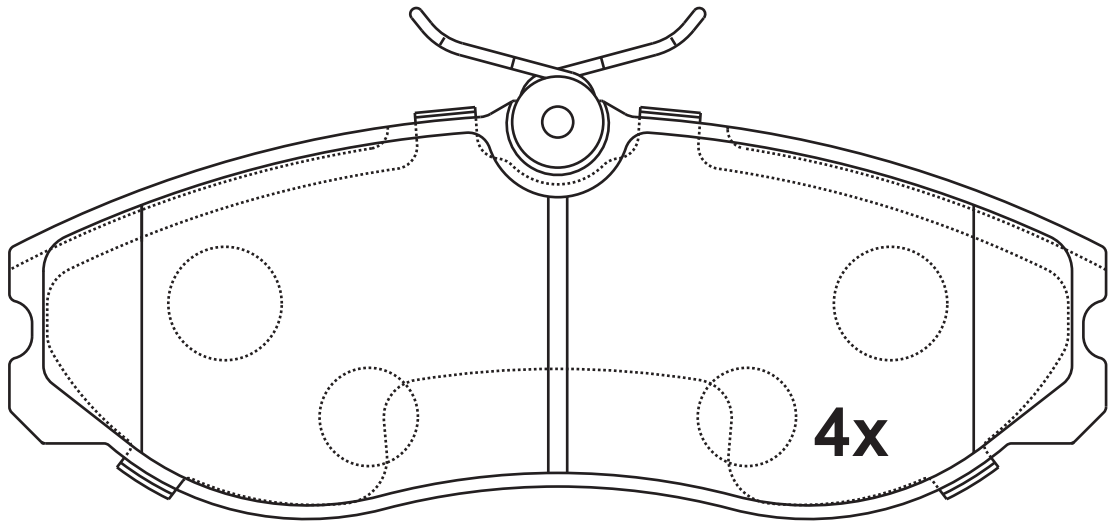
**Thickness
(mm)**

15.5



NOTE


4 identical;





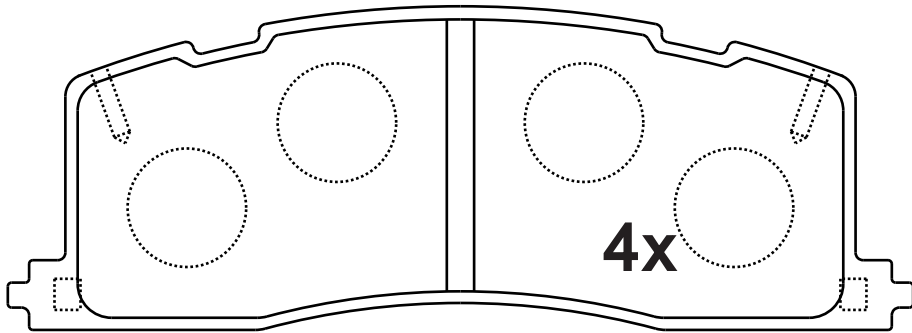
21481

Apply for:

Ford Maverick	Closed off-Road	02.93-04.98
Nissan Serena	MPV	07.92-09.01
Nissan Terrano II	Closed off-Road	10.92-
Nissan Vanette Cargo	Box	09.94-
Nissan Vanette Cargo	Bus	09.94-

SR0485.01	Dimension (mm)	Thickness (mm)		NOTE

SR0486.01	Dimension (mm)	Thickness (mm)		NOTE
	119.7×42.8	15.3		4 identical;



21688

Apply for:

Toyota Previa

MPV

05.90-08.00

SR0487.01

**Dimension
(mm)**

99.9×40.7

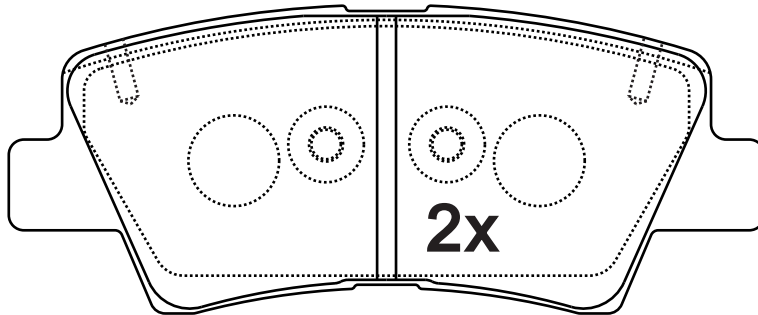
**Thickness
(mm)**

15.6

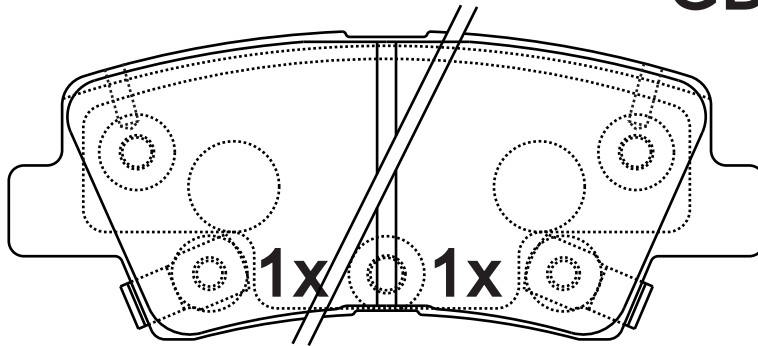


NOTE

4 identical, 1 with acoustic indicator (left), 1 with acoustic indicator (right).





GDB7842

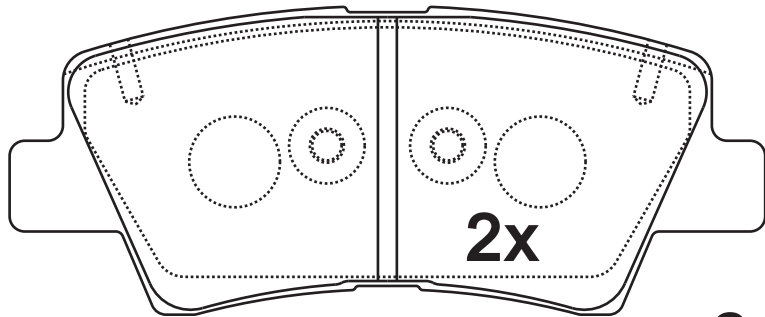


Apply for:

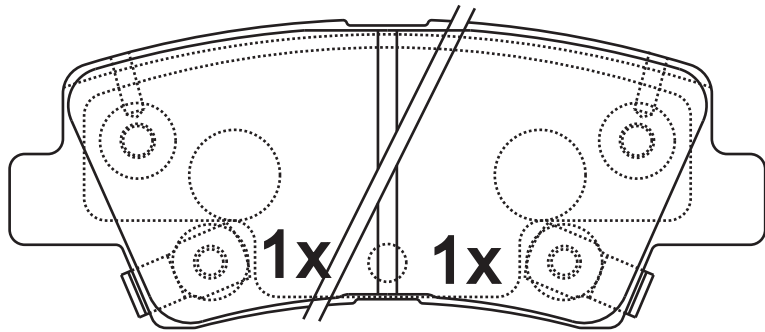
Hyundai Veloster	Coupe	10.11-
Hyundai(Beijing) Sonata	Saloon	12.12-
Hyundai(Beijing) Verna	Hatchback	12.10-
Hyundai(Beijing) Verna	Saloon	08.10-

SR0487.02

Dimension (mm)	Thickness (mm)		NOTE 4 identical, 1 with acoustic indicator (left), 1 with acoustic indicator (right).
99.9×40.7	15.5		



24934



24936

24935

Apply for:

Hyundai Accent IV
Hyundai Sonata
Hyundai Tucson

Saloon
Saloon
Closed off-Road

11.10-
02.06-
08.04-03.10

SR0487

**Dimension
(mm)**

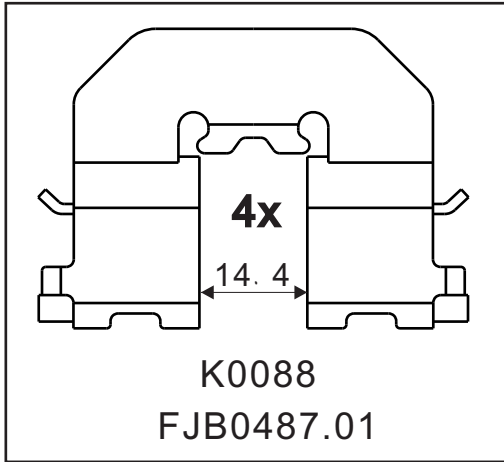
**Thickness
(mm)**



NOTE

附件包

Accessory kit



SR0488.01

**Dimension
(mm)**

**Thickness
(mm)**

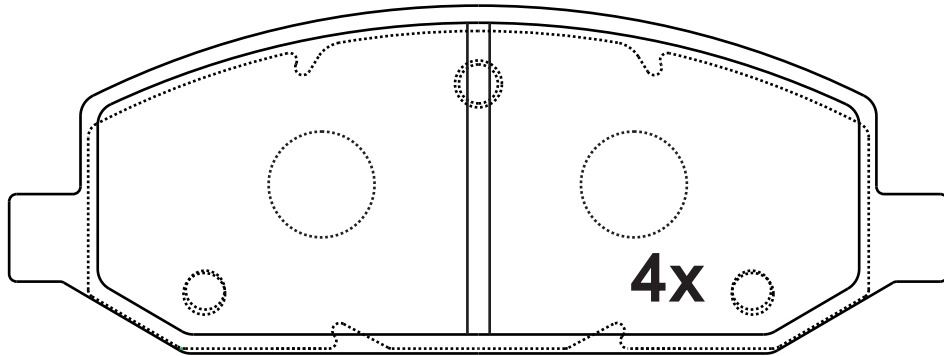


NOTE

4 identical;

124.1×46

18



D1661



Apply for:

Chevrolet New Sail

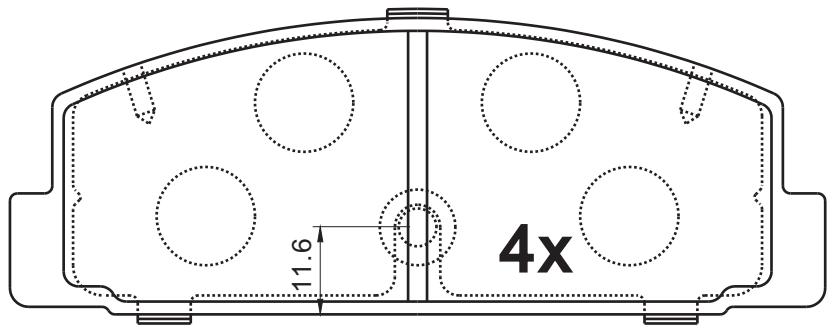
Hatchback

06.10-

SR0489.01

Dimension (mm)	Thickness (mm)	
107.8×39.2	13.7	

NOTE
4 identical;





D482

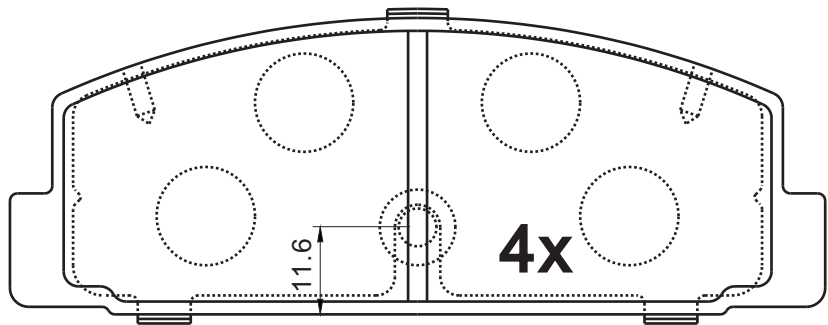
Apply for:

Mazda 323 S VI	Saloon	09.08-05.04
Mazda 6	Hatchback	08.02-08.07
Mazda 6	Saloon	06.02-08.07
Mazda 6 Station Wagon	Estate	08.02-08.07
Mazda 6	Hatchback	08.07-
Mazda 6	Saloon	08.07-
Mazda 6	Estate	02.08-

SR0489.02

Dimension (mm)	Thickness (mm)	
107.8×39.2	13.7	

NOTE
4 identical;



D482

Apply for:

Mazda 323 S VI	Saloon	09.08-05.04
Mazda 6	Hatchback	08.02-08.07
Mazda 6	Saloon	06.02-08.07
Mazda 6 Station Wagon	Estate	08.02-08.07
Mazda 6	Hatchback	08.07-
Mazda 6	Saloon	08.07-
Mazda 6	Estate	02.08-

SR0489

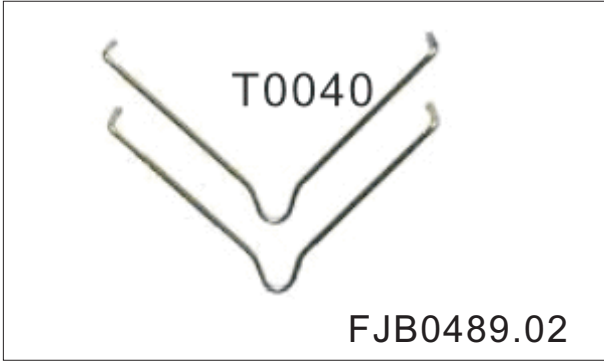
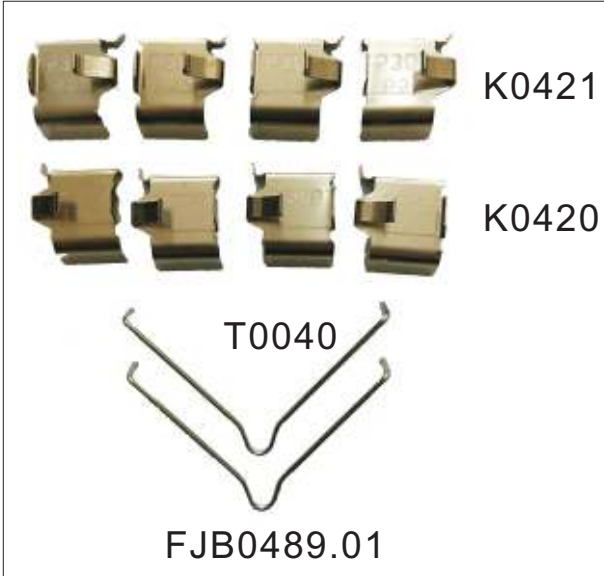
**Dimension
(mm)**

**Thickness
(mm)**



NOTE

**附件包
Accessory bag**



SR0490.01

**Dimension
(mm)**

150.8×57.4

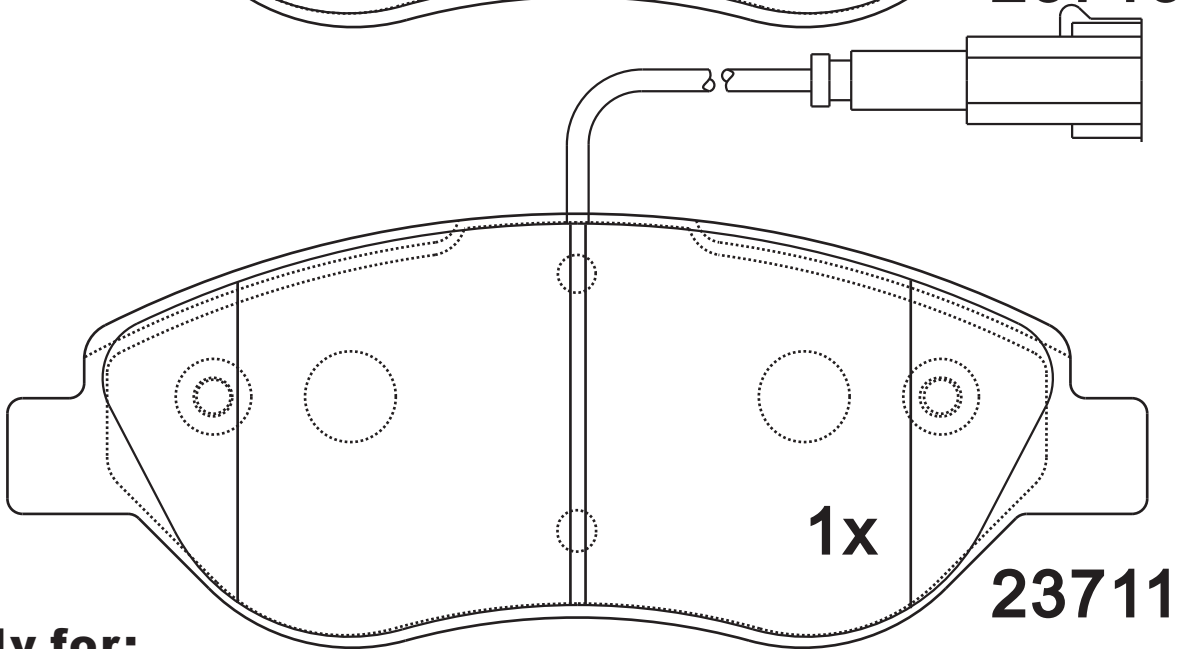
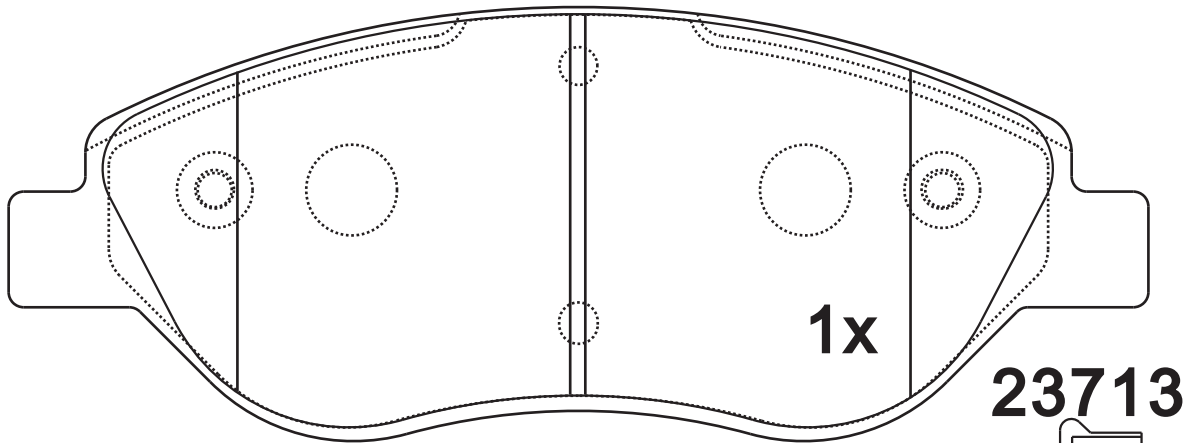
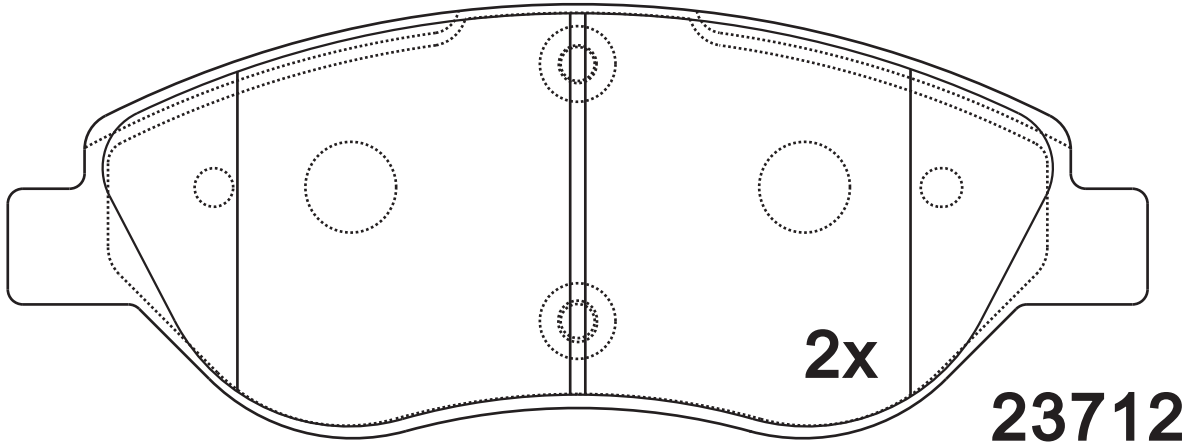
**Thickness
(mm)**

19



NOTE

4 identical, 1 with warn indicator.





Apply for:

Fiat Bravo II
Fiat Stilo
Fiat Stilo

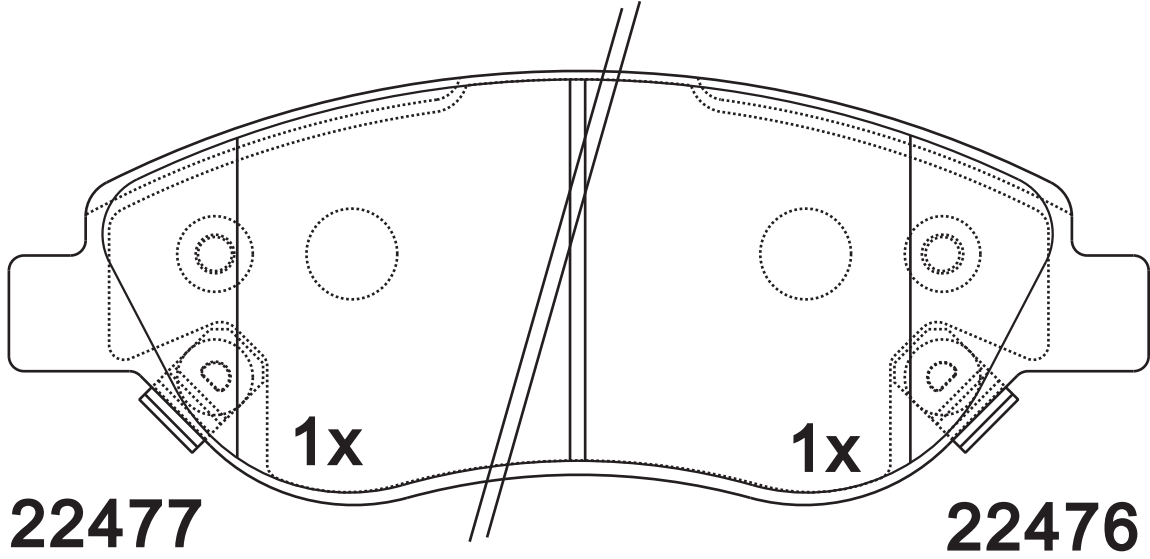
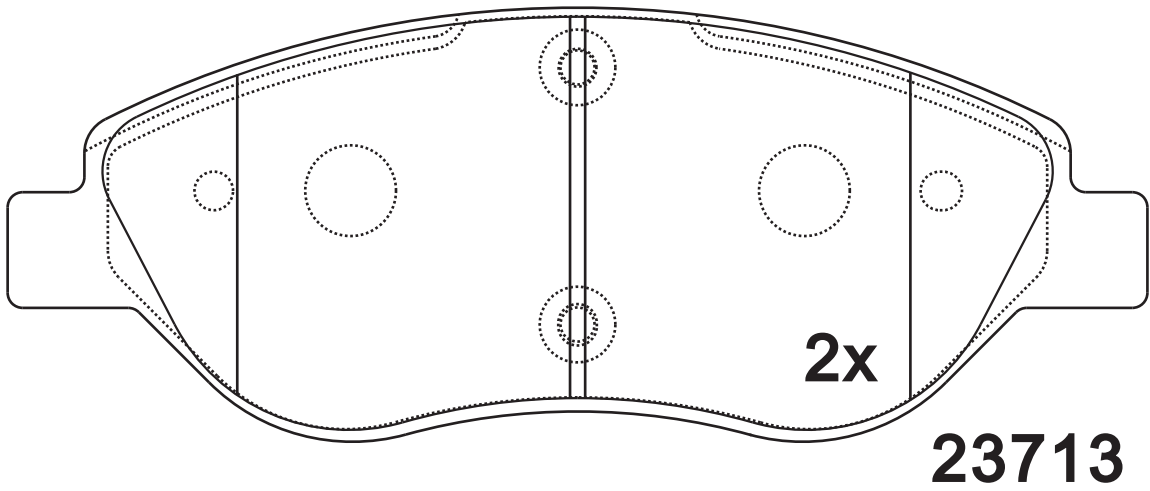
Hatchback
Hatchback
Estate

04.07-
10.01-11.06
01.04-08.08

SR0490.02

Dimension (mm)	Thickness (mm)	
150.8×57.4	19.4	

NOTE
4 identical, 1 with acoustic indicator (left), 1 with acoustic indicator (right).



Apply for:

Fiat Bravo II	Hatchback	04.07-
Fiat Stilo	Hatchback	10.01-11.06
Fiat Stilo	Estate	01.04-08.08

SR0490.03

**Dimension
(mm)**

150.8×57.4

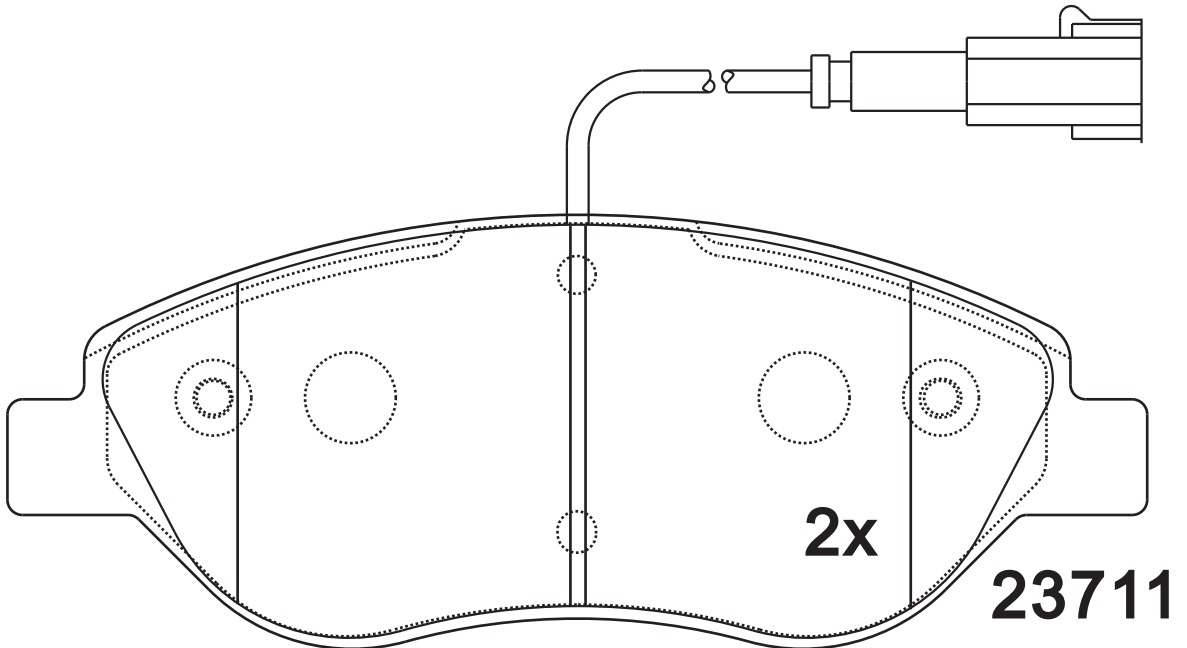
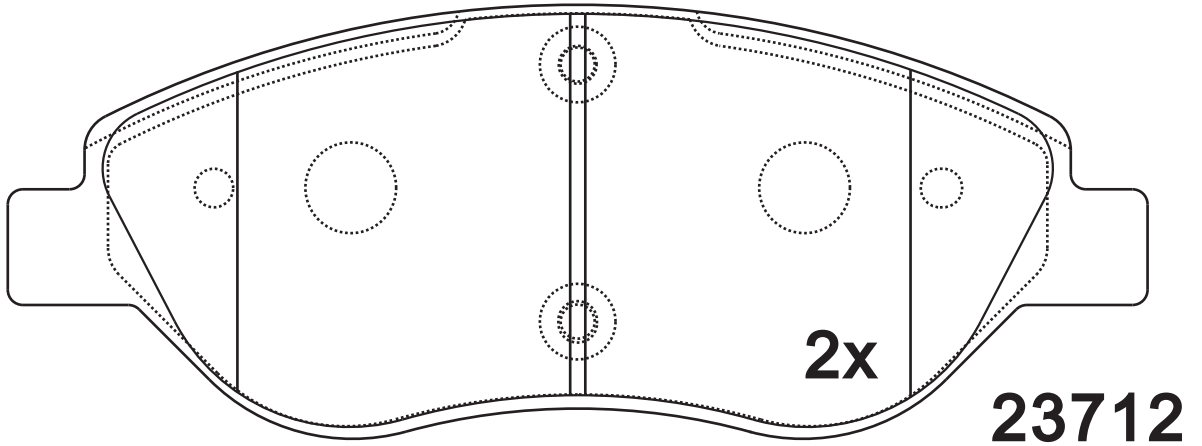
**Thickness
(mm)**

19



NOTE

**4 identical, 2 with warn
indicator.**



Apply for:

Fiat Bravo II
Fiat Stilo
Fiat Stilo

Hatchback
Hatchback
Estate

04.07-
10.01-11.06
01.04-08.08

SR0490

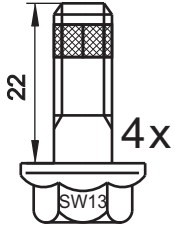
**Dimension
(mm)**

**Thickness
(mm)**



NOTE

**附件包
Accessory bag**



M8×1
L0015
FJB0089.01

SR0491.01**Dimension
(mm)**

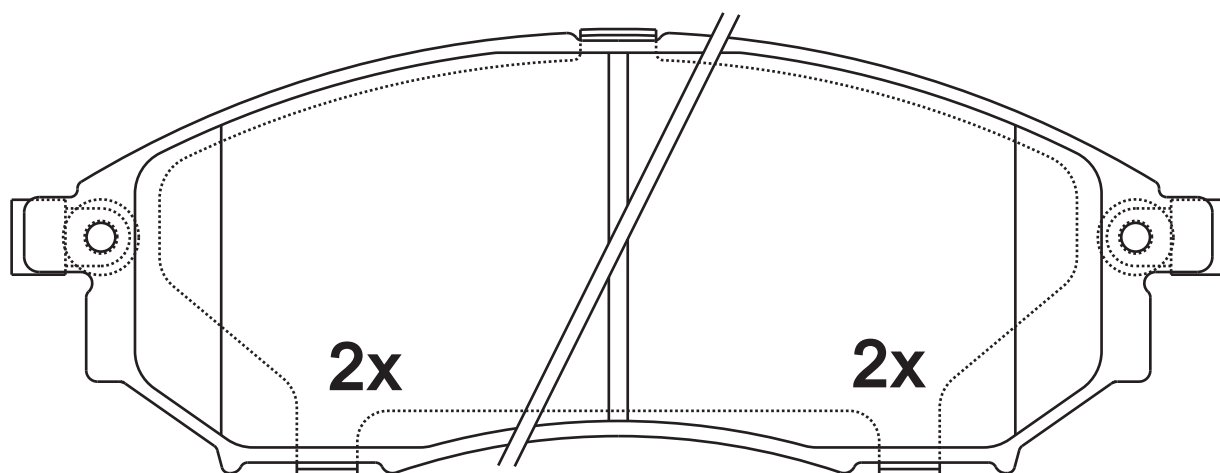
157.1×58.2

**Thickness
(mm)**

16.8

**NOTE**

4 identical, 2 with acoustic indicator(left), 2 with acoustic indicator(right).

**23699****23698****Apply for:**

Infiniti EX	Hatchback	04.10-
Infiniti G Coupe	Coupe	09.07-
Infiniti G Convertible	Convertible	09.10-
Infiniti M	Saloon	03.10-
Nissan Murano	Closed off-Road	08.03-
Nissan Navara	Pickup	07.05-
Nissan Pathfinder	Closed off-Road	03.05-
Nissan Qashqai	Closed off-Road	02.07-
Renault Koleos	Closed off-Road	09.08-

SR0492.01

**Dimension
(mm)**

108.5×45.5

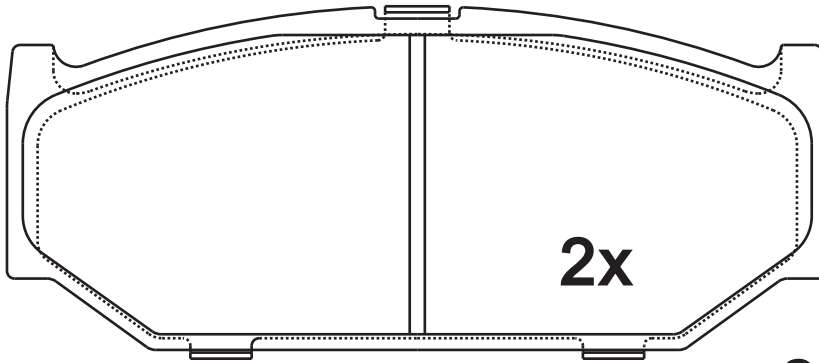
**Thickness
(mm)**

15

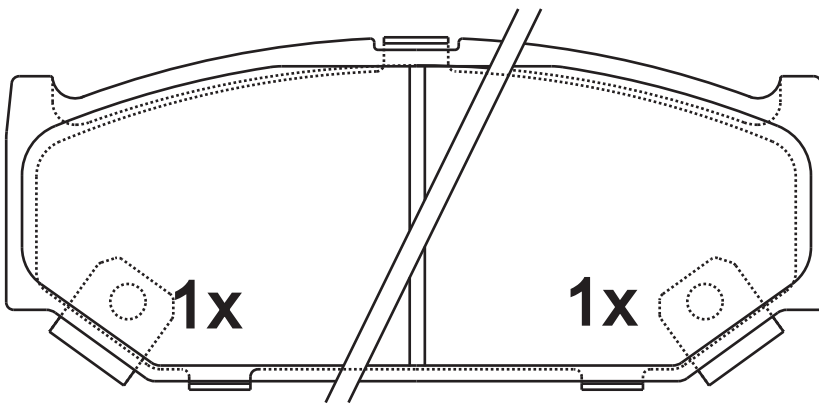


NOTE

4 identical, 1 with
acoustic indicator(left),
1 with acoustic indicator
(right).



23962



25181

25511



Apply for:

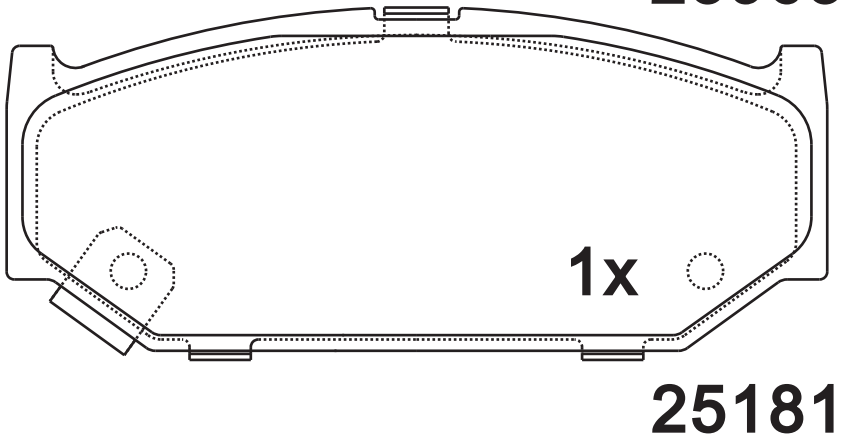
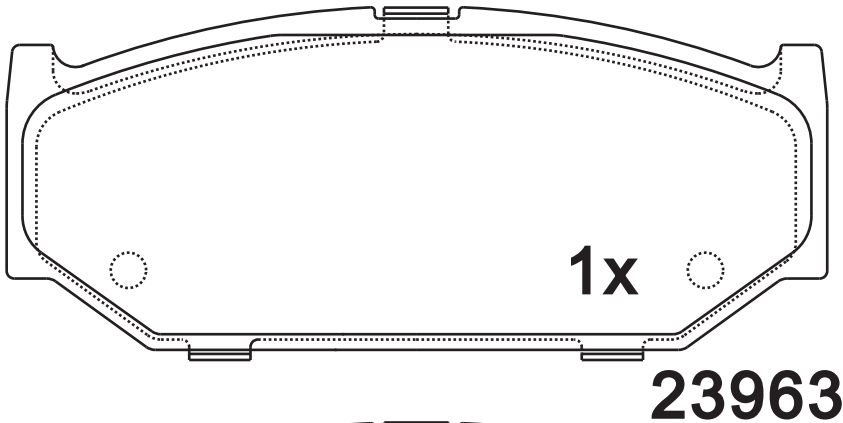
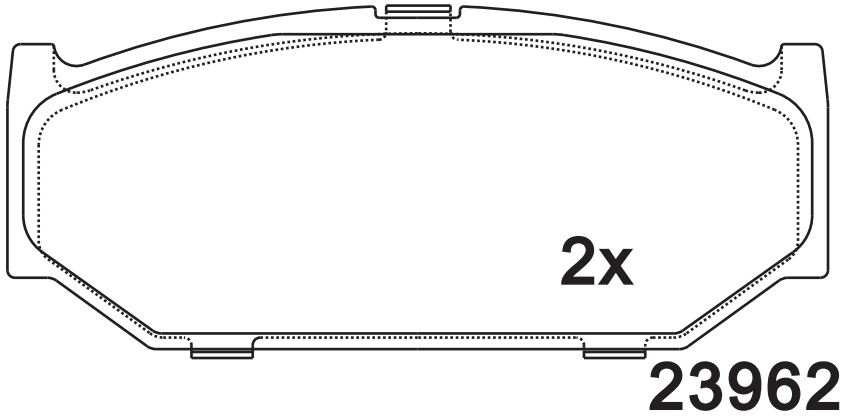
Suzuki Swift

Hatchback

10.10-

SR0492.02

Dimension (mm)	Thickness (mm)		NOTE
108.5×45.5	15		2 identical; 2 identical 1 with acoustic indicator (left).





Apply for:

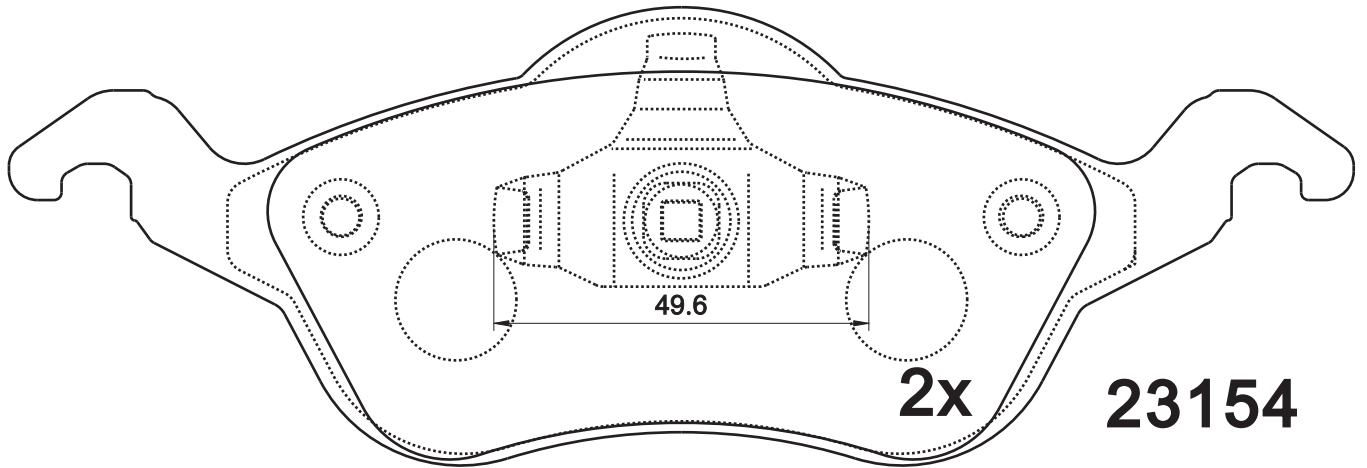
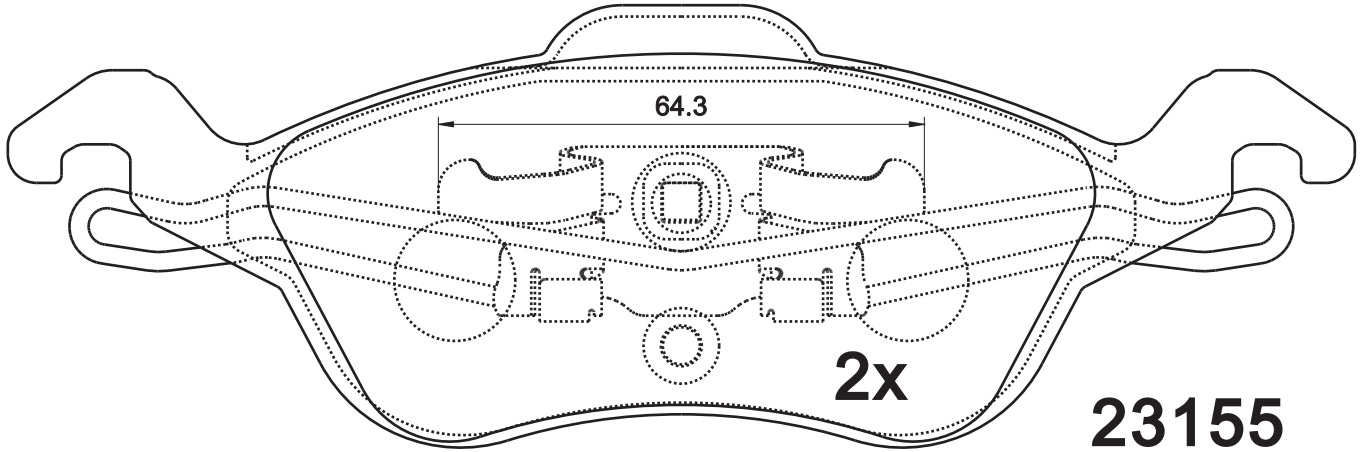
Changan (Chana) Cx20 Hatchback
Suzuki Swift Iii
Suzuki (Changan) Swift

2010/10-
2005/02-
2005/05-

SR0493.01

Dimension (mm)	Thickness (mm)	
178.1×58.5 177.8×60.6	19	

NOTE
2 identical with spring;
2 identical with spring.



Apply for:

Ford Focus
Ford Focus
Ford Focus

Hatchback
Estate
Saloon

10.98-11.04
02.09-11.04
02.99-03.05

SR0494.01

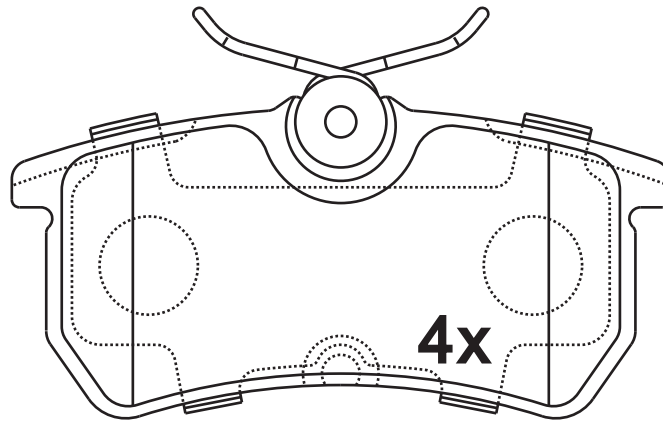
**Dimension
(mm)**

**Thickness
(mm)**



NOTE

4 identical ;



23353

Apply for:

Ford Fiesta V
Ford Fiesta VI

Hatchback
Hatchback

03.05-06.08
03.13-

SR0494

**Dimension
(mm)**

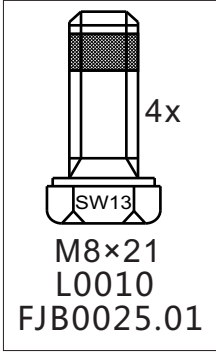
**Thickness
(mm)**



NOTE

附件包

Accessory kit



SR0495.01

**Dimension
(mm)**

131.5×51.3
131.5×55.2

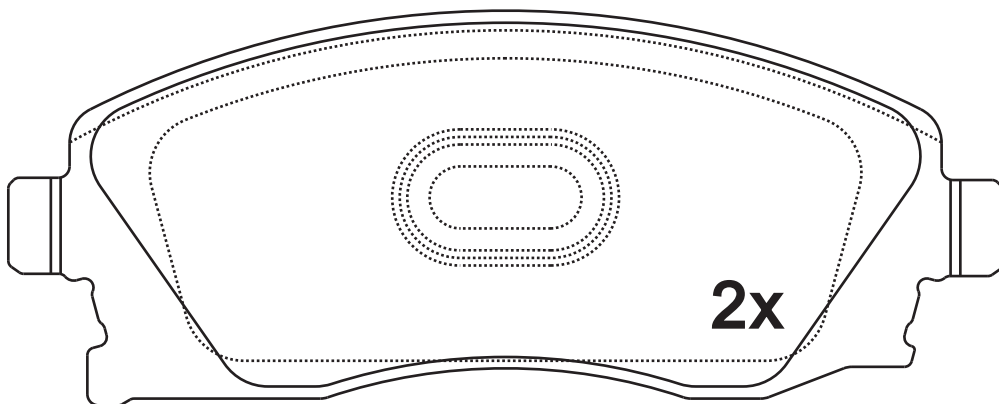
**Thickness
(mm)**

17

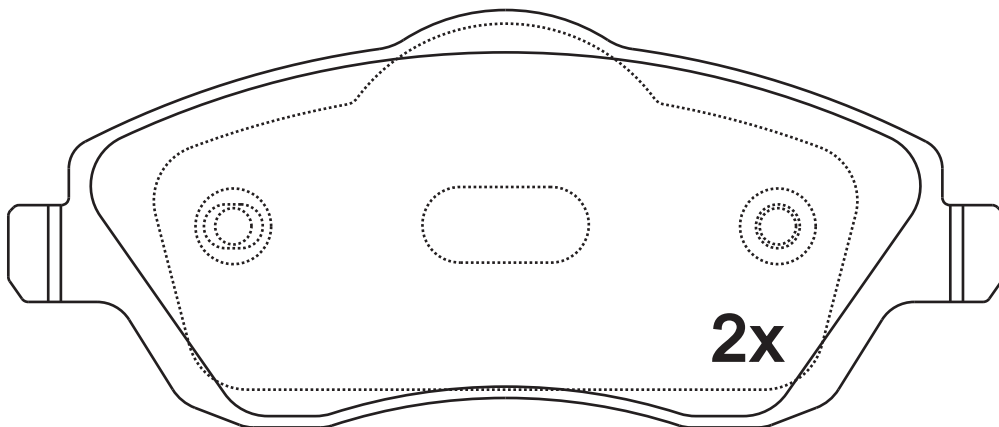


NOTE

2 identical;2 identical;



23225



23226



2x

Apply for:

Opel Corsa C

Opel Tiger Twin Top

Box

Convertible

09.00-

06.04-

SR0495.02**Dimension
(mm)**131.5×51.3
131.5×55.2**Thickness
(mm)**

17

**NOTE****2 identical;2 identical;**

取消 SR0495. 02=SR0495. 01+FJB0280.01

Apply for:

Opel Corsa C	Box	09.00-
Opel Tiger Twin Top	Convertible	06.04-

SR0495

**Dimension
(mm)**

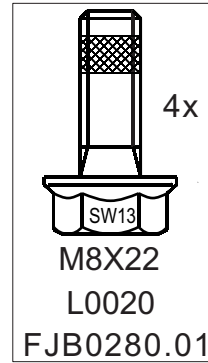
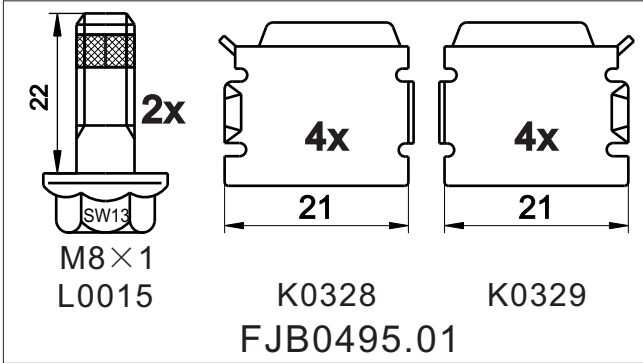
**Thickness
(mm)**



NOTE

附件包

Accessory kit



SR0496.01

**Dimension
(mm)**

114.8×54.8

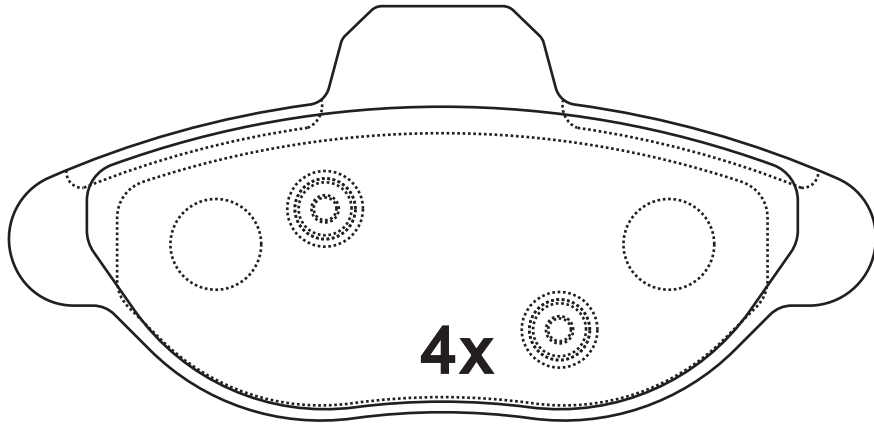
**Thickness
(mm)**

17



NOTE

4 identical;



21365

Apply for:

Fiat Cinquecento

Hatchback

07.91-07.99

SR0497.01

**Dimension
(mm)**

136.8×57.2

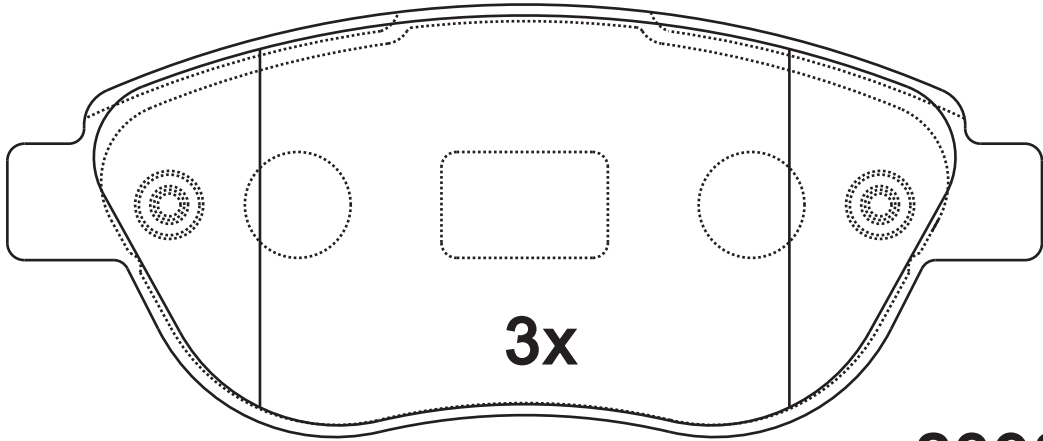
**Thickness
(mm)**

19.6



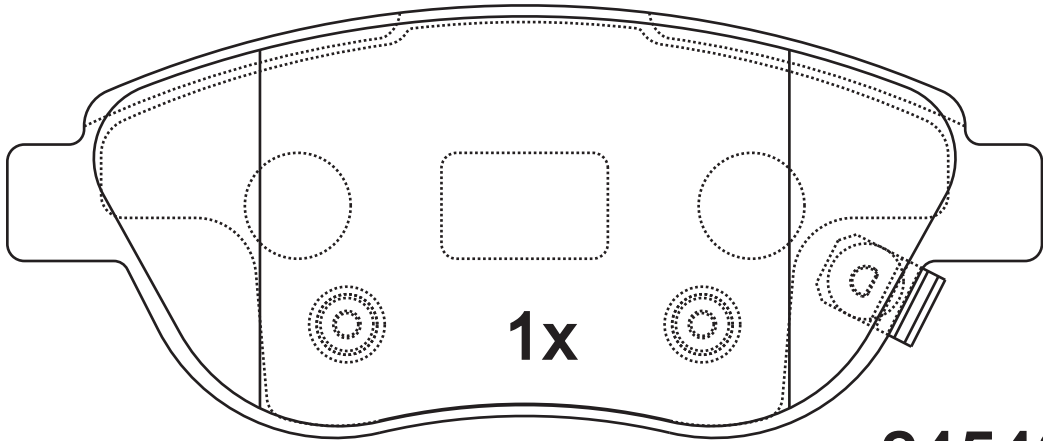
NOTE

4 identical, 1 with
acoustic indicator(right).



3x

23981



1x



24549

Apply for:

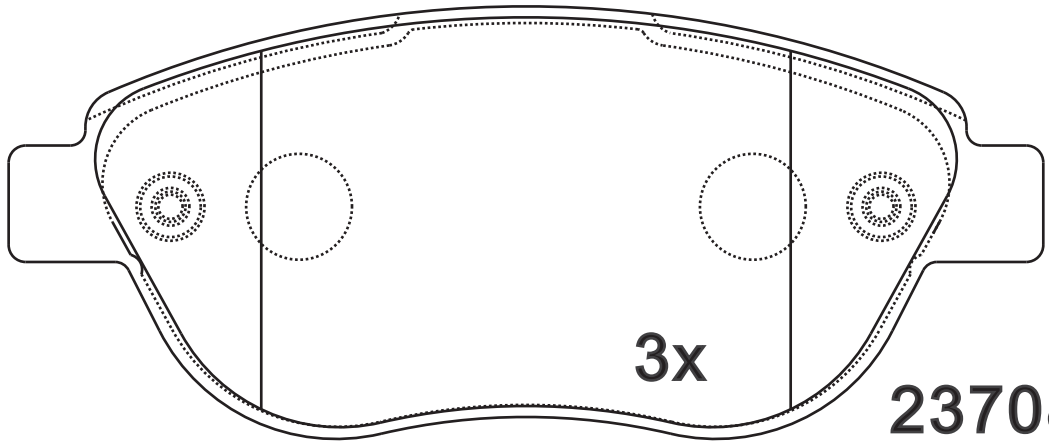
Fiat 500 Abarth Cabrio

2014

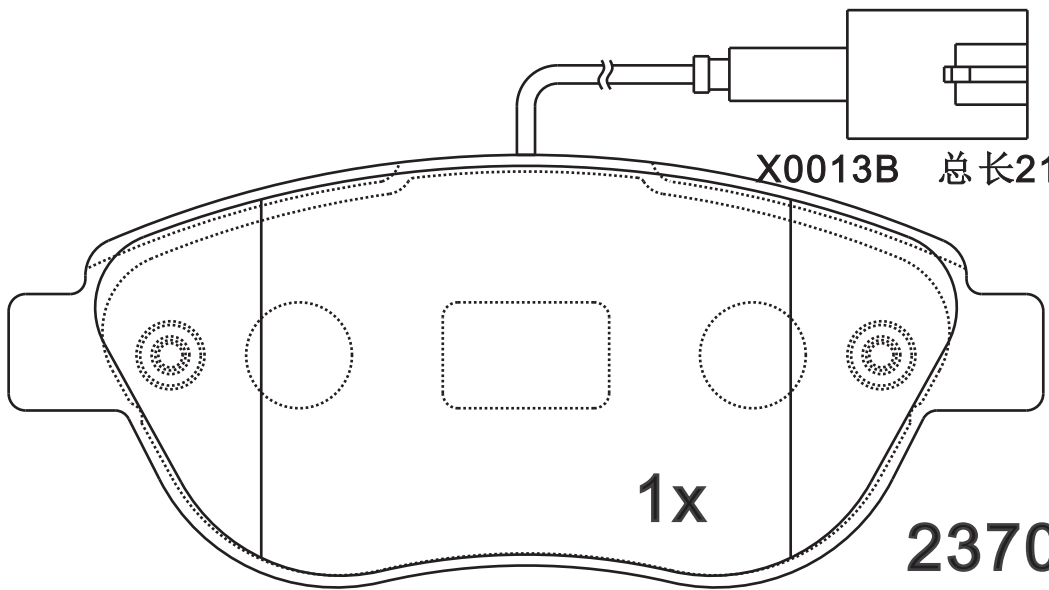
SR0497.02

Dimension (mm)	Thickness (mm)	
136.8×57.2	19.6	

NOTE
4 identical, 1 with warn indicator.



23708





X0013B 总长214mm

23709

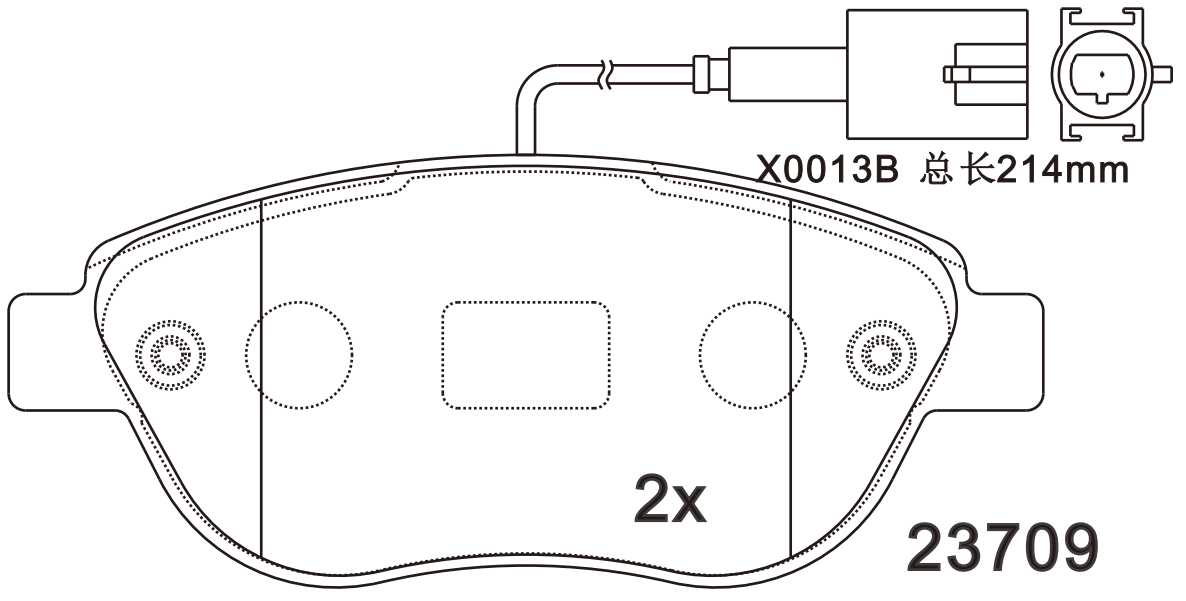
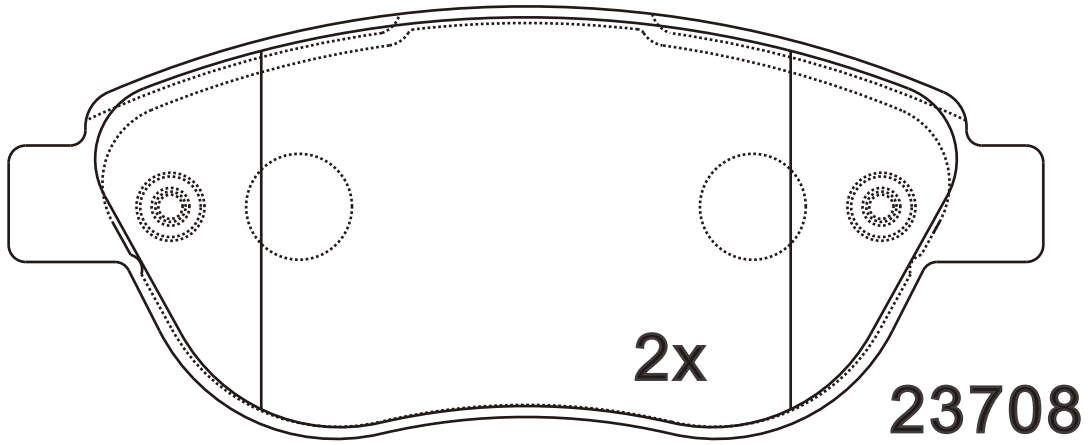
Apply for:

Fiat Bravo II	Hatchback	09.07-
Fiat Linea	Saloon	09.07-
Fiat Punto	Hatchback	10.05-
Fiat Stilo	Hatchback	10.01-11.06
Fiat Stilo	Estate	01.03-08.08

SR0497.03

Dimension (mm)	Thickness (mm)	
137×57.4	19.6	

NOTE
4 identical, 1 with warn indicator.



Apply for:

Fiat Bravo II	Hatchback	09.07-
Fiat Linea	Saloon	09.07-
Fiat Punto	Hatchback	10.05-
Fiat Stilo	Hatchback	10.01-11.06
Fiat Stilo	Estate	01.03-08.08

SR0497.04

Dimension (mm)	Thickness (mm)	
136.8×57.2	19.6	

NOTE
4 identical, 1 with warn indicator.





取消， SR0497. 04=SR0497. 02=FJB0621. 01

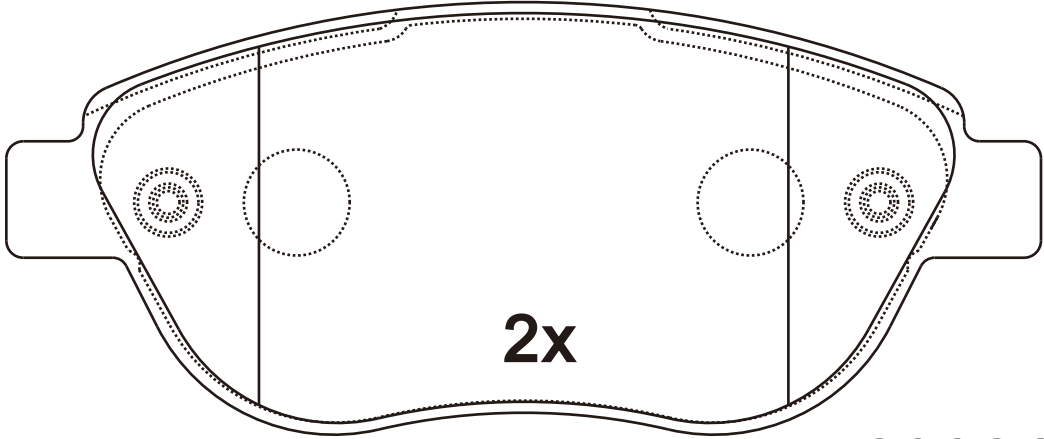
Apply for:

Fiat Bravo II	Hatchback	09.07-
Fiat Linea	Saloon	09.07-
Fiat Punto	Hatchback	10.05-
Fiat Stilo	Hatchback	10.01-11.06
Fiat Stilo	Estate	01.03-08.08

SR0497.05

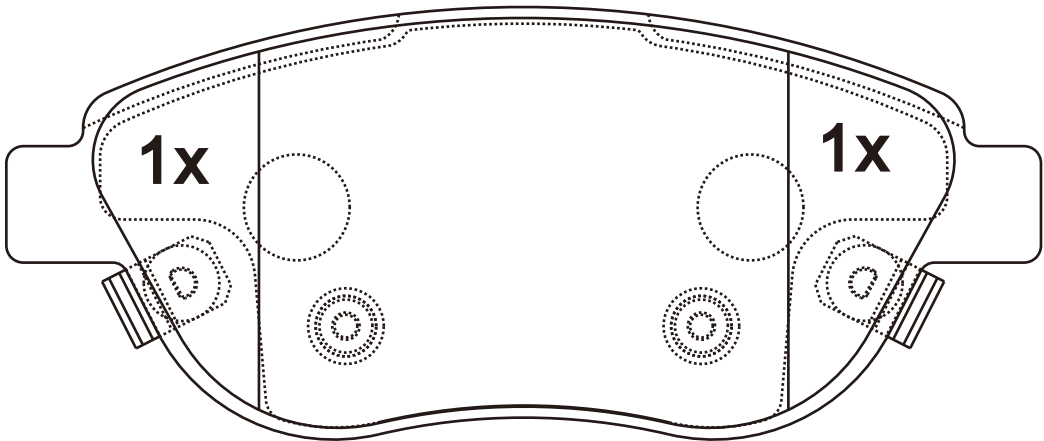
Dimension (mm)	Thickness (mm)	
136.8×57.2	19.6	

NOTE
4 identical, 1 with acoustic indicator (left), 1 with acoustic indicator (right).



2x

23981



1x

1x

25802

24549

Apply for:

Emgrand (Geely) Ec 7 Rv Hatchback
Emgrand (Geely) Ec 7 Saloon

2009/07-
2009/07-

SR0497

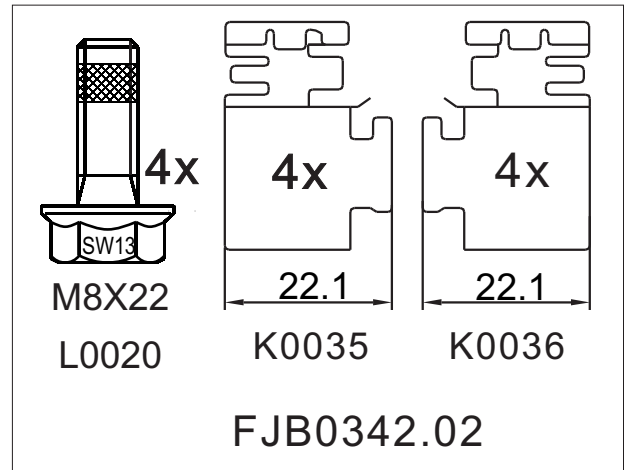
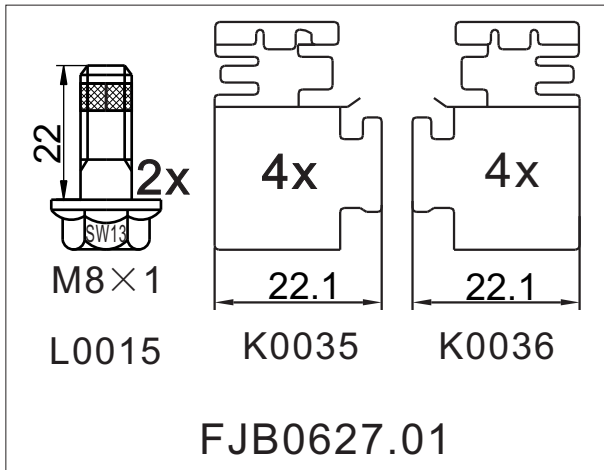
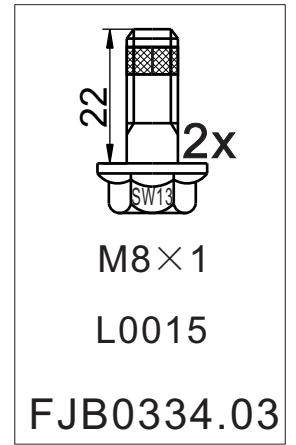
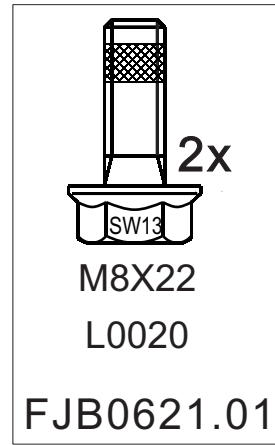
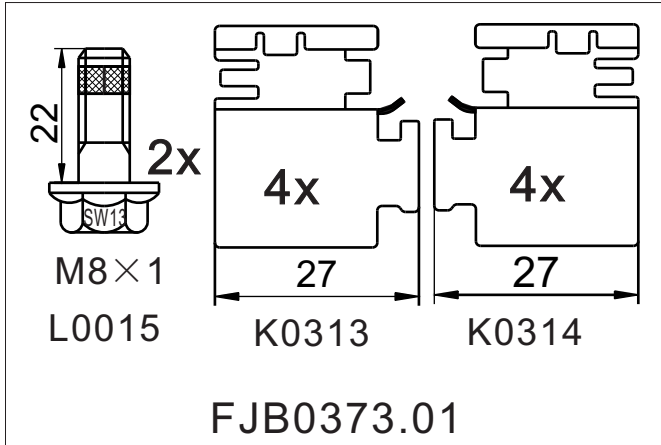
**Dimension
(mm)**

**Thickness
(mm)**



NOTE

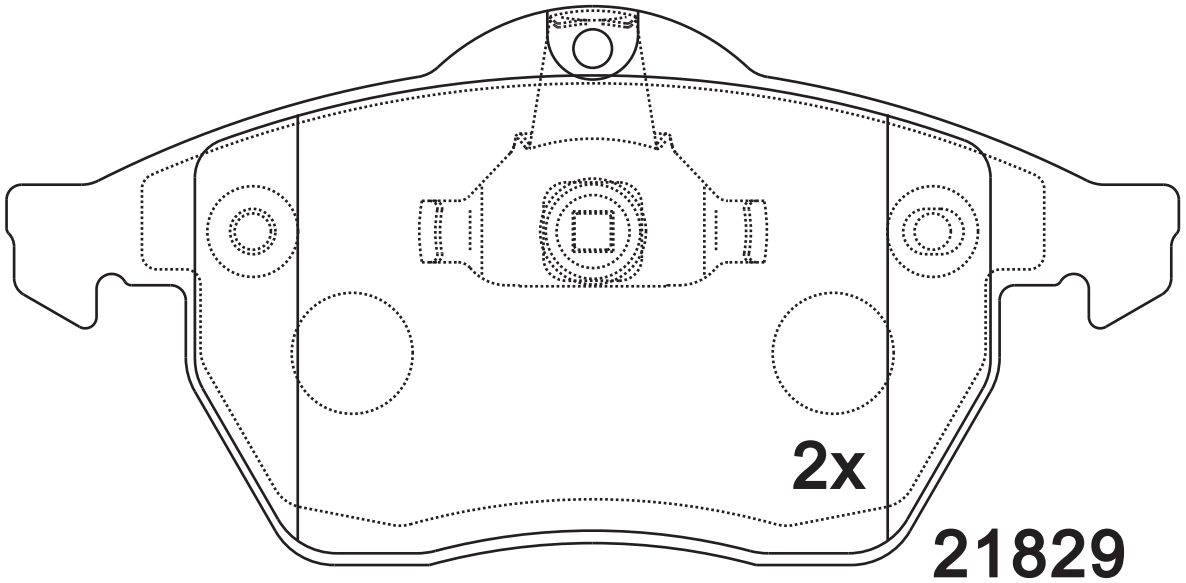
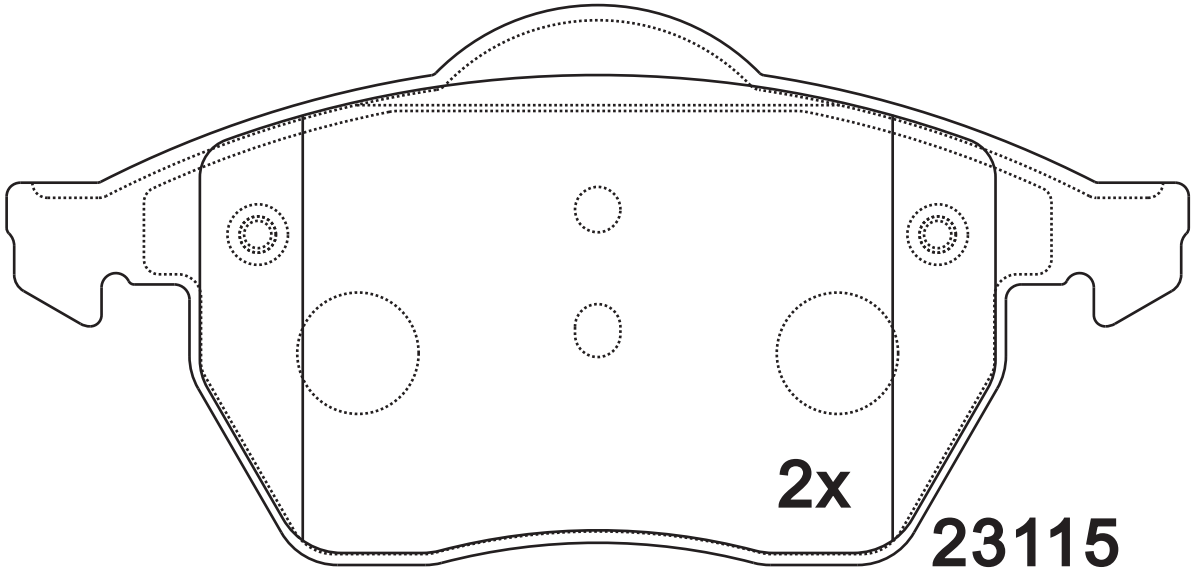
**附件包
Accessory bag**



SR0498.01

Dimension (mm)	Thickness (mm)	
156.3/155.1×74	20.3	

NOTE
2 identical; 2 identical with spring.



Apply for:

Opel Calibra A	Coupe	06.90-07.97
Opel Vectra B	Saloon	09.95-04.02
Opel Vectra B	Estate	11.96-07.03
Opel Vectra B	Hatchback	10.95-07.03

SR0498.02

**Dimension
(mm)**

156.5/155.2×74

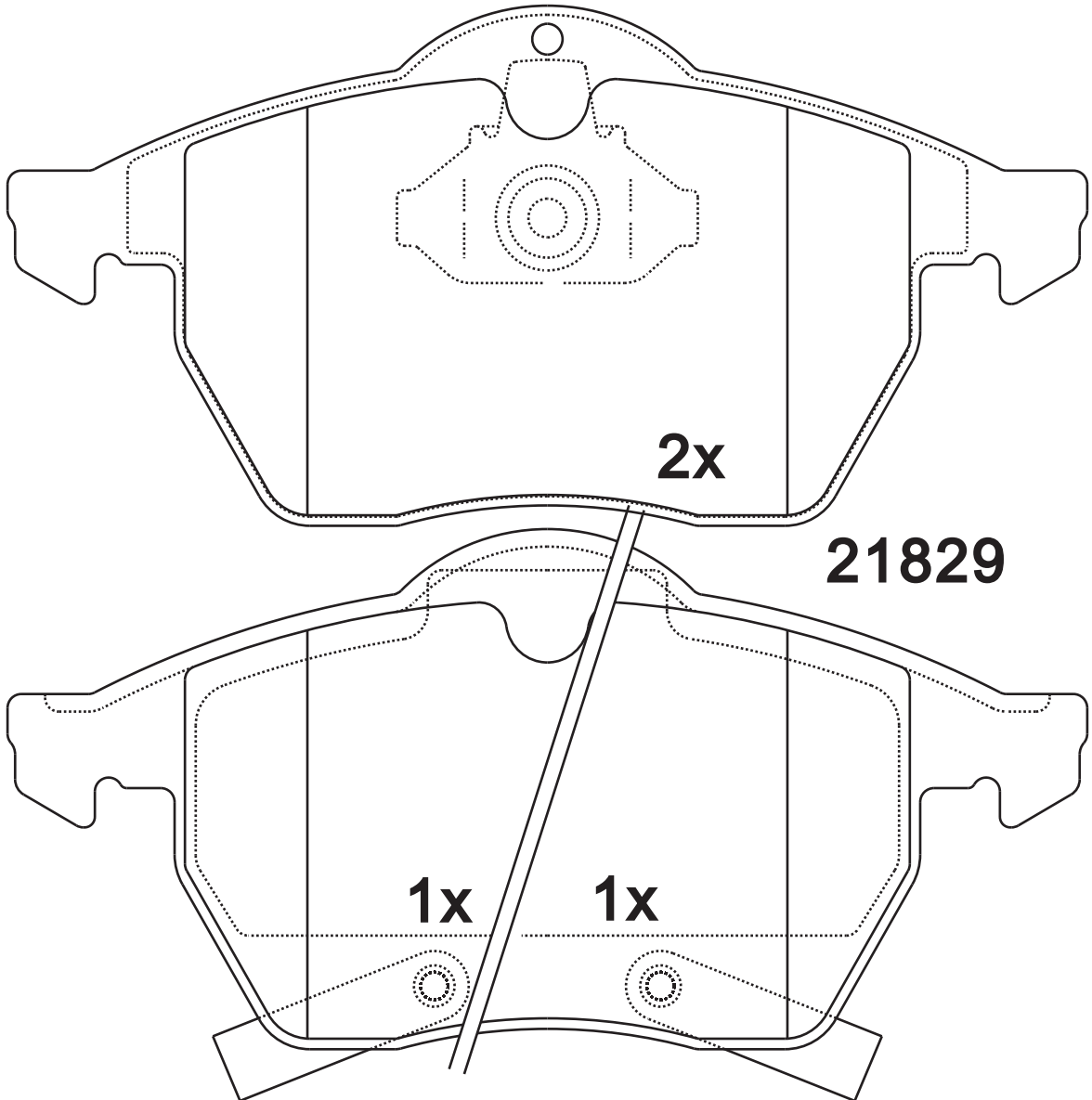
**Thickness
(mm)**

19.6/20.3



NOTE

2 identical with spring;
2 identical, 1 with acoustic
indicator(right), 1 with
acoustic indicator(left).



Apply for 23117

- SAAB 9-3
- SAAB 9-5
- SAAB 9-5 288mm Rotor
- SATURN L100
- SATURN L200 V6
- SATURN L
- SATURN L300-3
- SATURN L300
- SATURN LS1
- SATURN LW2
- SATURN LW300

- 1999-2002
- 2003-2005
- 2006-2009
- 2001-2002
- 2001-2003
- 300-1 2004
- 2004
- 2001-2005
- 2000
- 2000
- 2001-2003

23116

SR0499.01

**Dimension
(mm)**

**Thickness
(mm)**



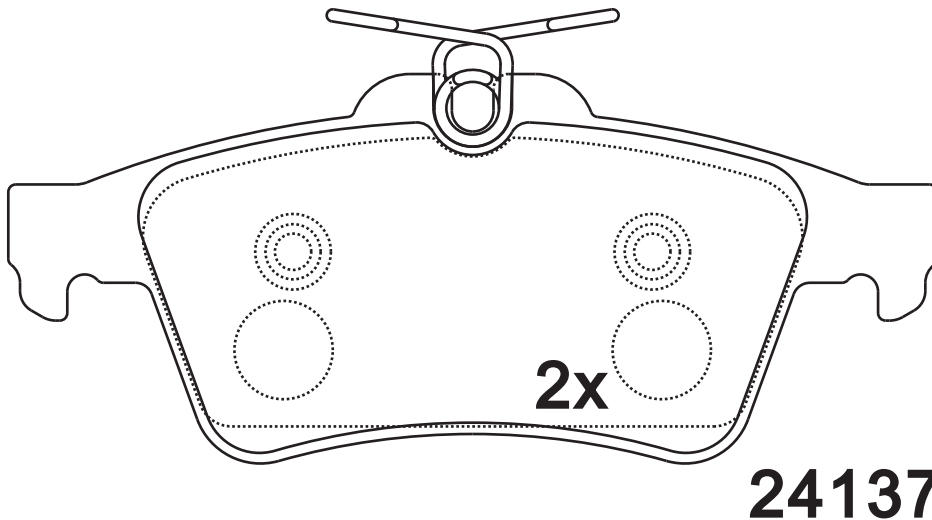
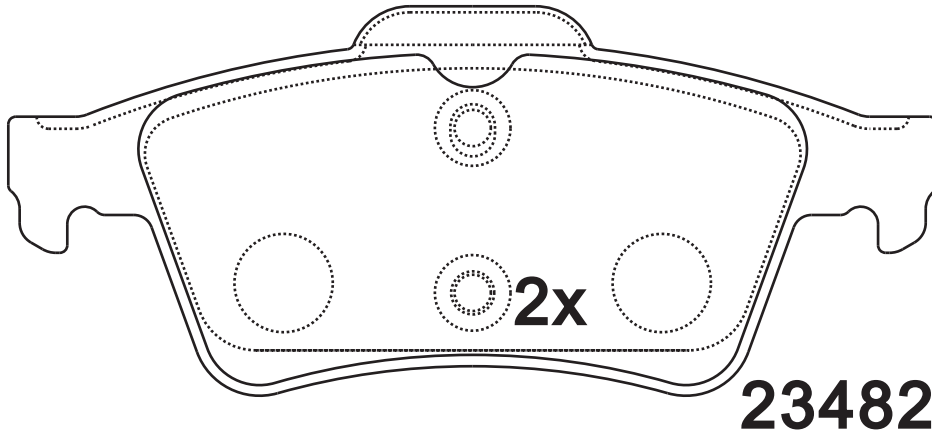
NOTE

SR0500.01**Dimension
(mm)**

122.8×51.5

**Thickness
(mm)**

16.4

**NOTE****2 identical;2 identical;****Apply for:**

Citroen C5 III	Saloon	02.08-
Citroen C5 III	Estate	02.08-
Ford C-max	MPV	02.07-
Ford Focus C-max	MPV	10.03-03.07
Ford Focus II	Saloon	04.05-
Ford Focus II	Estate	11.04-
Ford Focus II	Convertible	10.06-
Ford Focus III	Hatchback	07.12-
Mazda 3	Hatchback	10.03-
Mazda 3	Saloon	02.04-
Mazda 5	MPV	03.05-
Opel Vectra C GTS	Hatchback	08.02-
Opel Vectra C	Saloon	04.02-
Opel Vectra C	Estate	10.03-

SR0500

**Dimension
(mm)**

**Thickness
(mm)**

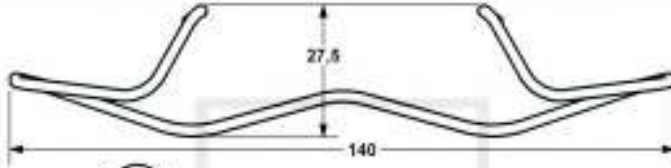


NOTE

**附件包
Accessory bag**



11.8116-0340.1 390595



82503500

T0050
FJB0446.01

SR0501.01

**Dimension
(mm)**

146.4×56.7

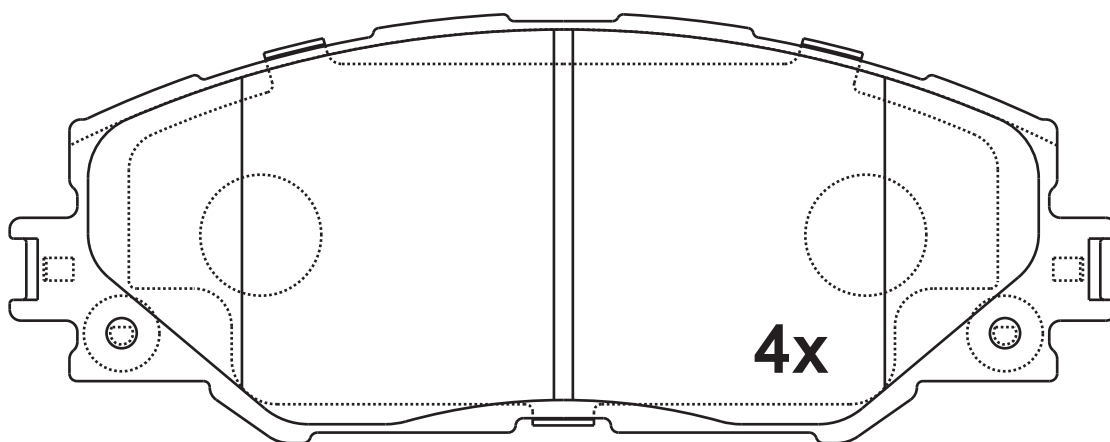
**Thickness
(mm)**

18.3



NOTE

4 identical;



24337

Apply for:

Toyota Auris
Toyota RAV 4 III

Hatchback
Closed off-Road

09.10-
03.06-

SR0502.01

**Dimension
(mm)**

140×55.1

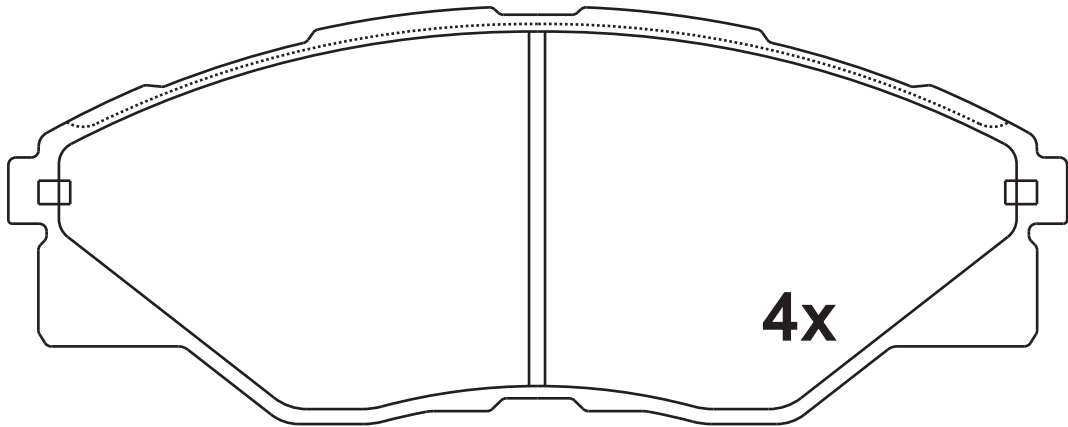
**Thickness
(mm)**

15.6



NOTE

4 identical;



25246

Apply for:

Toyota Hilux III

Pickup

08.05-

SR0503.01

**Dimension
(mm)**

116.1×42.6

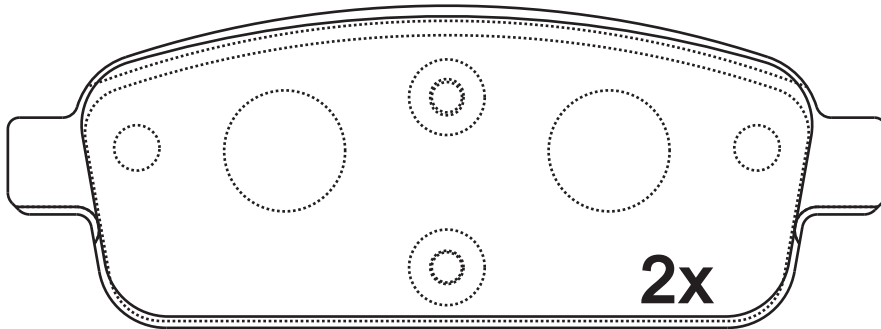
**Thickness
(mm)**

17

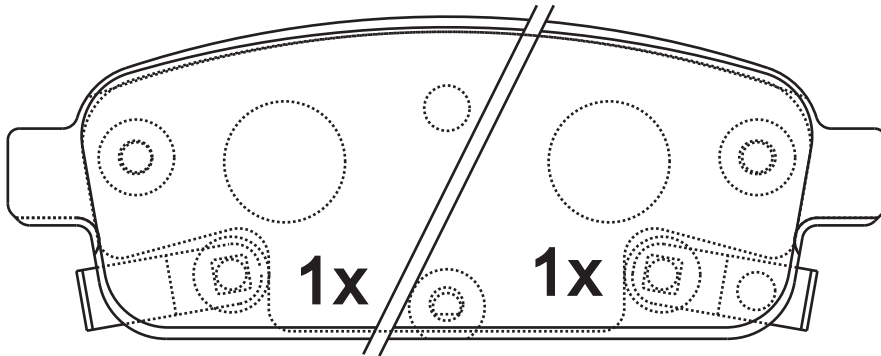


NOTE

4 identical, 1 with acoustic indicator (left), 1 with acoustic indicator (right).



25096



25098

25097

Apply for:

Chevrolet Cruze	Saloon	12.12-
Chevrolet Cruze	Hatchback	12.12-
Chevrolet Cruze	Estate	12.12-
Chevrolet Volt	Hatchback	11.11-
Opel Astra J	Hatchback	12.09-
Opel Zafira Tourer C	MPV	10.11-
Buick Excelle GT	Saloon	06.10-

SR0503

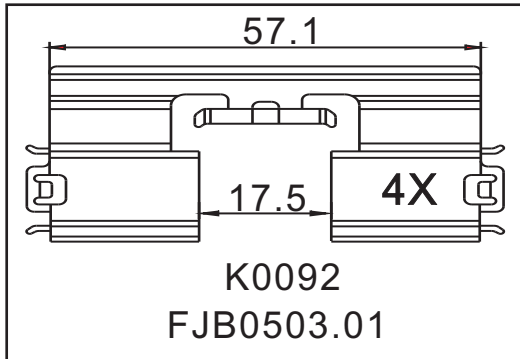
**Dimension
(mm)**

**Thickness
(mm)**



NOTE

**附件包
Accessory bag**



SR0504.01

**Dimension
(mm)**

141.9×66.7

**Thickness
(mm)**

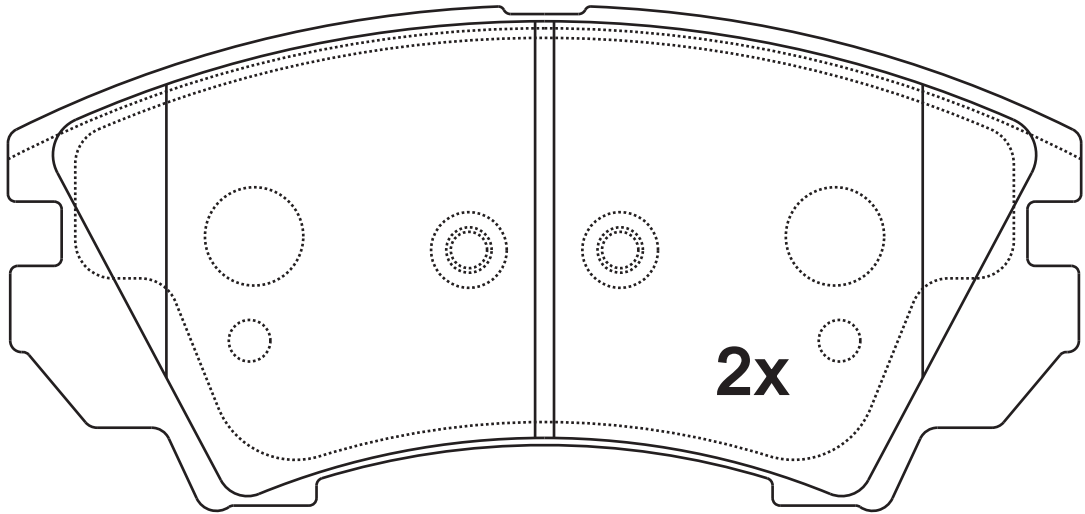
19



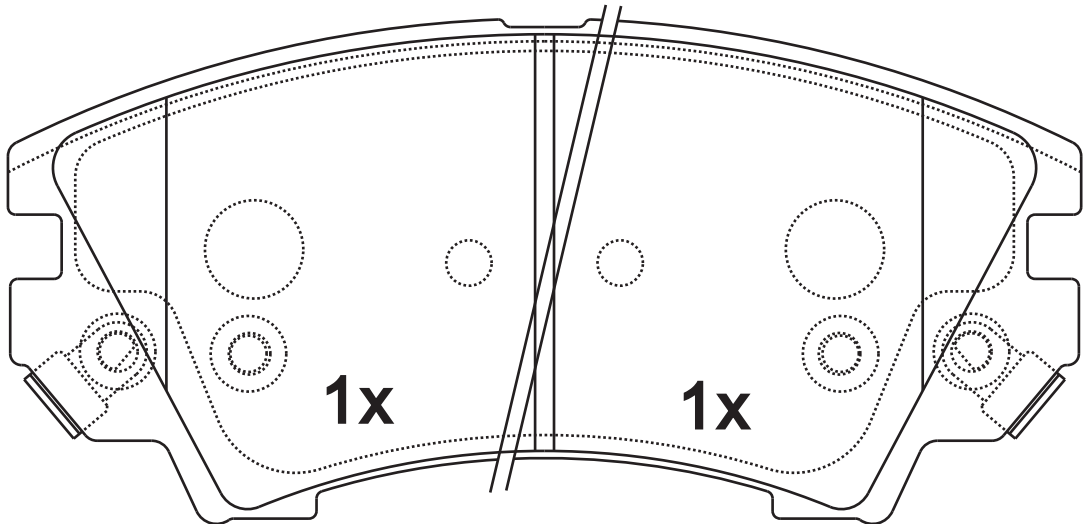
NOTE

4 identical, 1 with
acoustic indicator (left),
1 with acoustic indicator
(right).

02523



24412



24413

24414

Apply for:

Opel Astra J
Opel Insignia
Opel Zafira

Hatchback
Estate
MPV

12.09-
09.11-
10.11-

SR0504

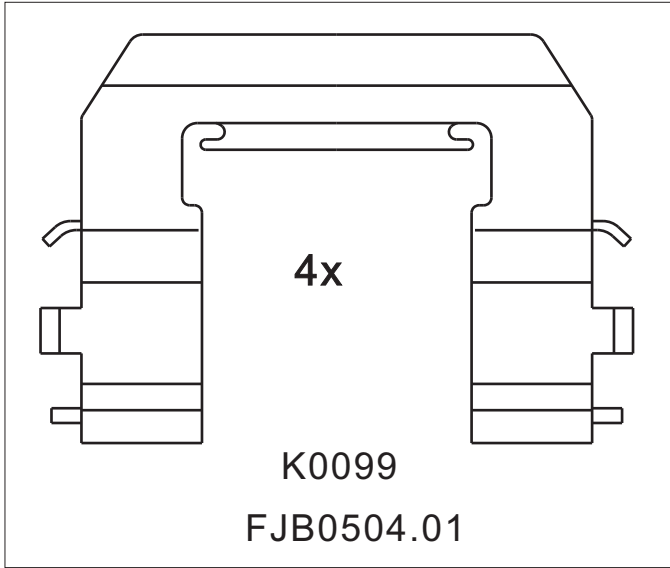
**Dimension
(mm)**

**Thickness
(mm)**



NOTE

**附件包
Accessory bag**



SR0505.01

**Dimension
(mm)**

131×59.7

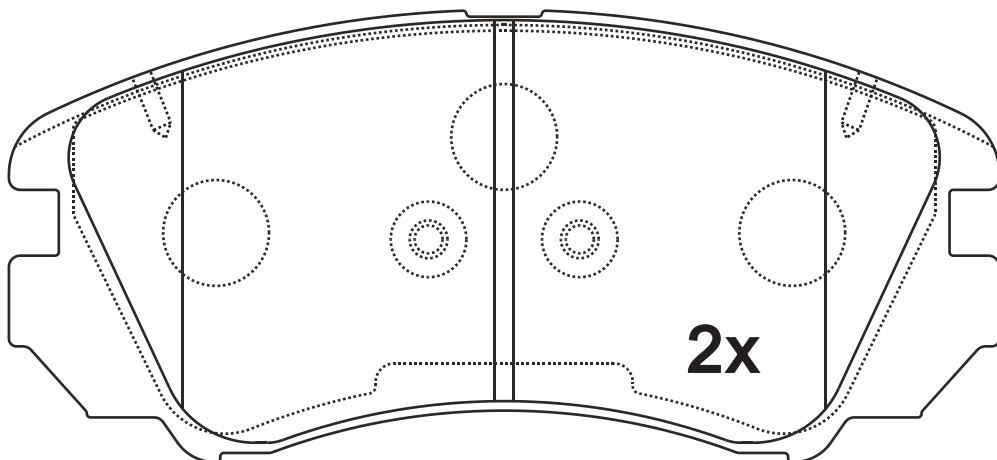
**Thickness
(mm)**

19

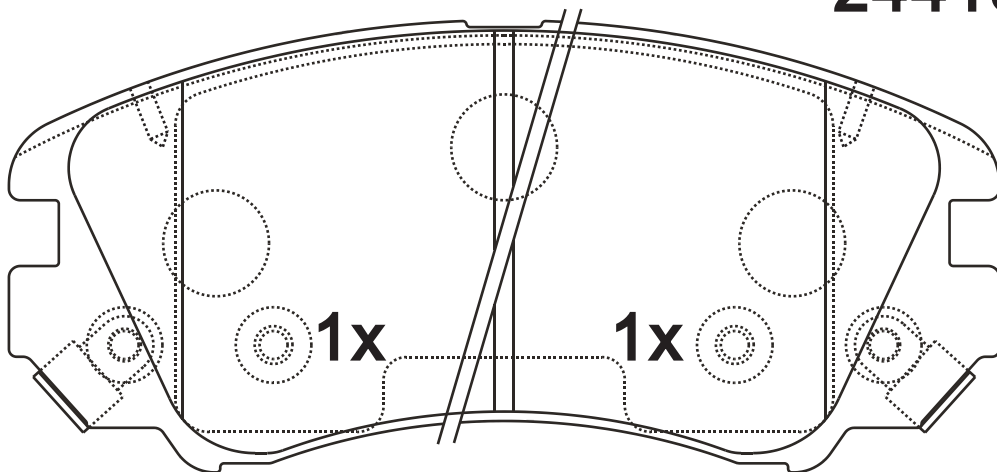


NOTE

4 identical, 1 with acoustic indicator (left), 1 with acoustic indicator (right).



24415



24416

24417

Apply for:

Opel Insignia

Estate

09.11-

SR0505

**Dimension
(mm)**

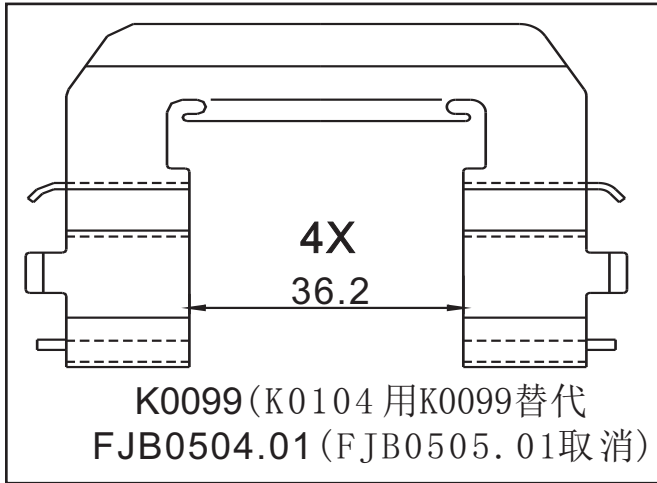
**Thickness
(mm)**



NOTE

**附件包
Accessory bag**

CS223



SR0506.01

**Dimension
(mm)**

**Thickness
(mm)**

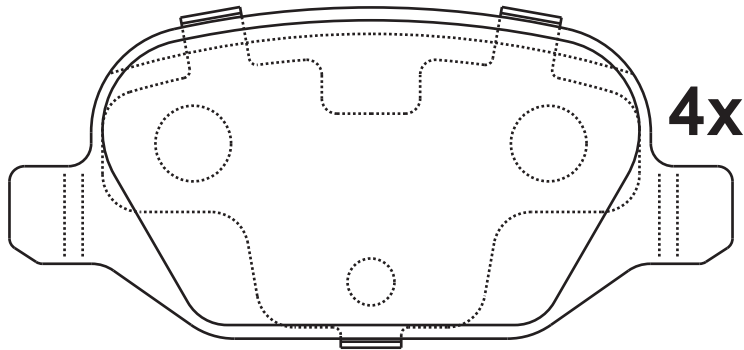


NOTE

4 identical;

95.6×43.9

17.2



23517

Apply for:

Fiat Linea

Saloon

09.07-

SR0506.02

**Dimension
(mm)**

**Thickness
(mm)**

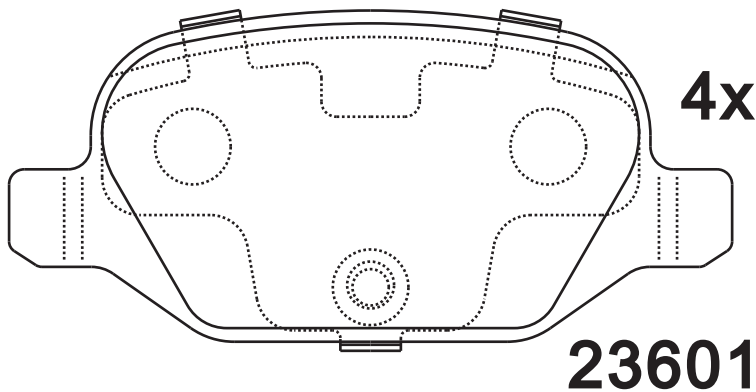


NOTE

4 identical;

95.6×43.9

14.5



Apply for:

Fiat 500 (Latin America)

2008-2011

SR0506.03

**Dimension
(mm)**

95.6×43.9

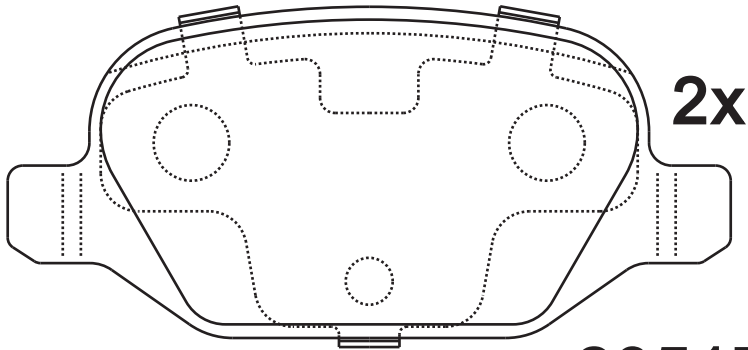
**Thickness
(mm)**

17.2

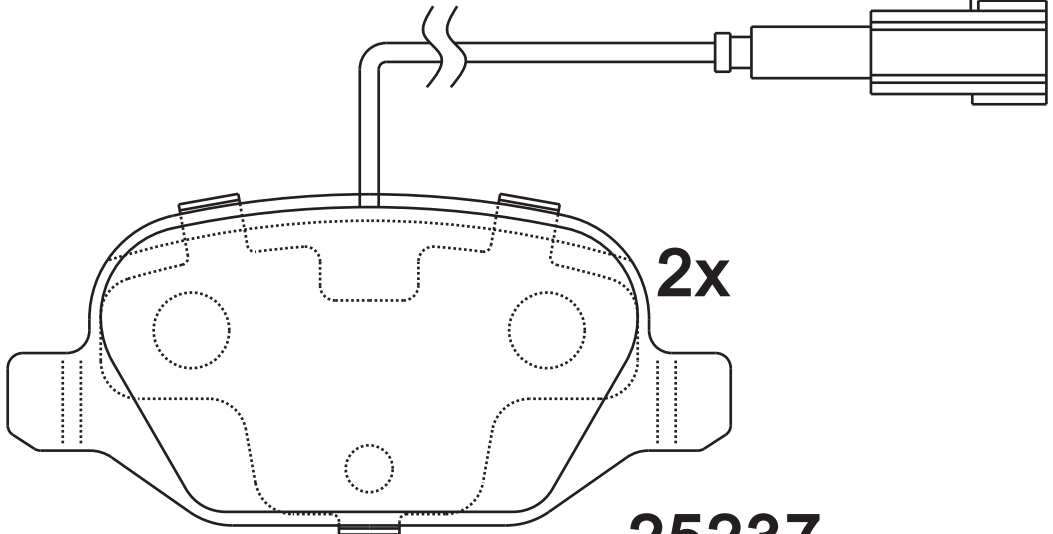


NOTE

**2 identical; 2 identical
with warn indicator.**



23517



25237

Apply for:

Fiat 500 (Latin America)

2008-2011

SR0506.04

**Dimension
(mm)**

**Thickness
(mm)**

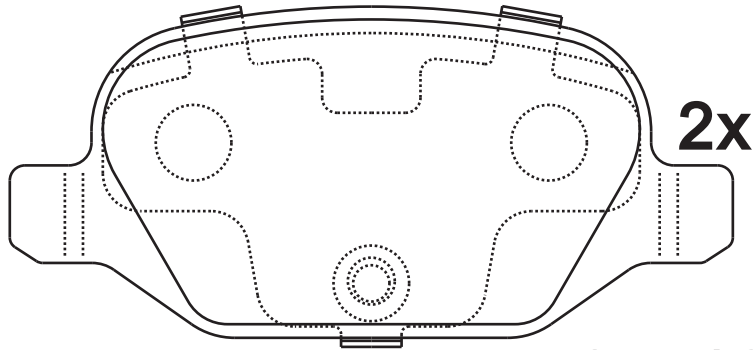


NOTE

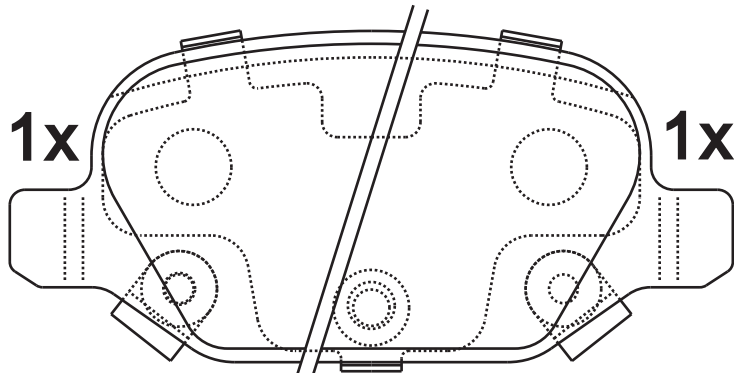
4 identical;

95.6×43.9

14.5



25410



25412

25411

Apply for:

Fiat 500

2012-2014

Fiat 500 Abarth

2013

Fiat 500 Abarth Cabrio

2014

Fiat 500 c

2014

Fiat 500 E

2013

SR0506.05

**Dimension
(mm)**

95.6×43.9

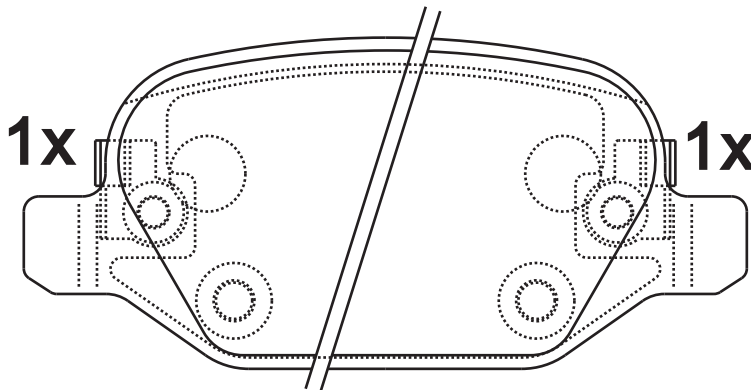
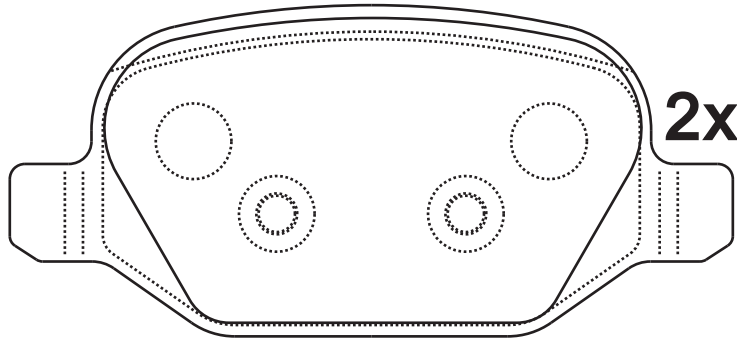
**Thickness
(mm)**

17



NOTE

4 identical, 1 with acoustic indicator (left), 1 with acoustic indicator (right).



GDB2002

Apply for:

Fiat 500L

2012/09-

SR0506.06

**Dimension
(mm)**

**Thickness
(mm)**

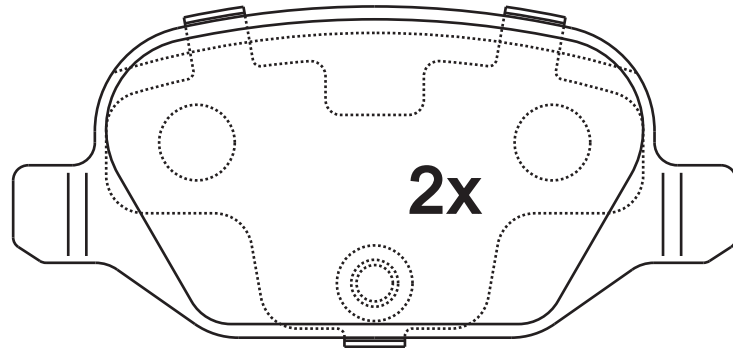


NOTE

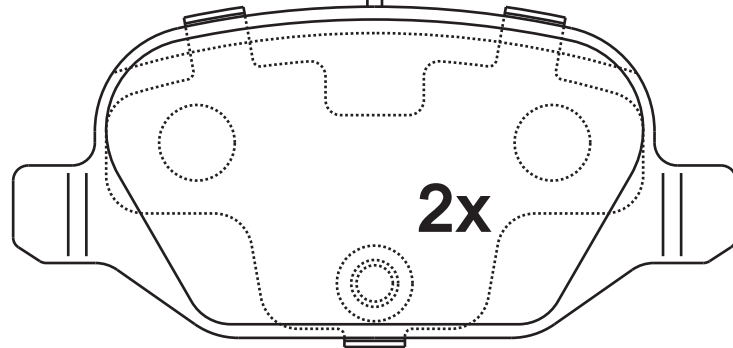
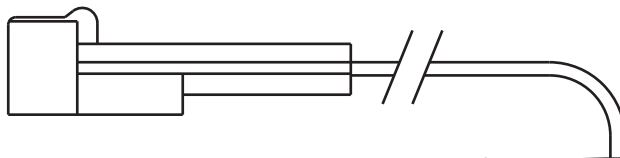
**4 identical, 2 with warn
indicator: 400mm.**

95.8×43.9

14.5



23601



25347

Apply for:

Fiat 500 (312_)
Fiat Panda (169)

2007/07-
2003/09-

SR0506

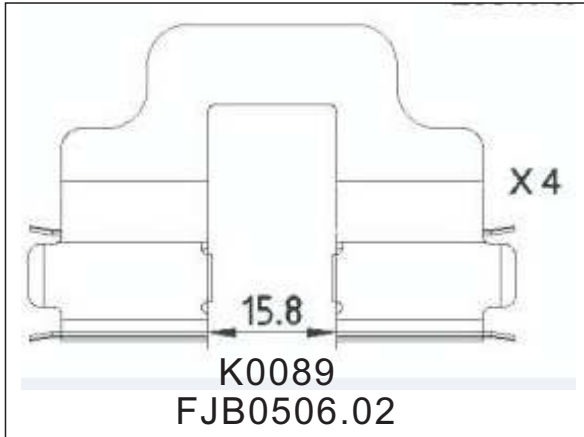
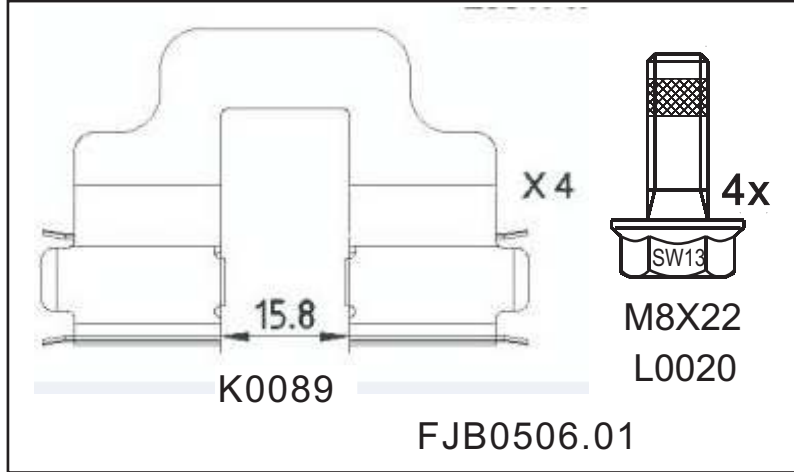
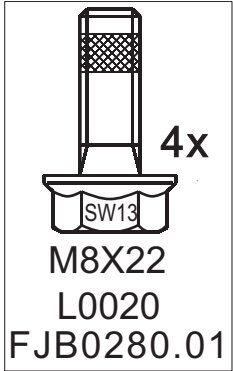
**Dimension
(mm)**

**Thickness
(mm)**



NOTE

**附件包
Accessory bag**



SR0507.01

**Dimension
(mm)**

**Thickness
(mm)**



NOTE

取消 同SR0629.01



SR0508.01

**Dimension
(mm)**

95.3×42.8

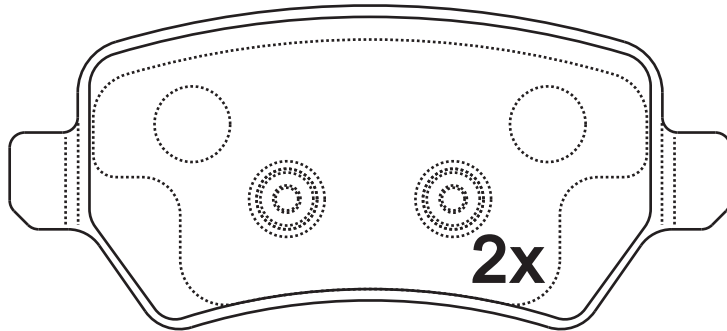
**Thickness
(mm)**

15.3

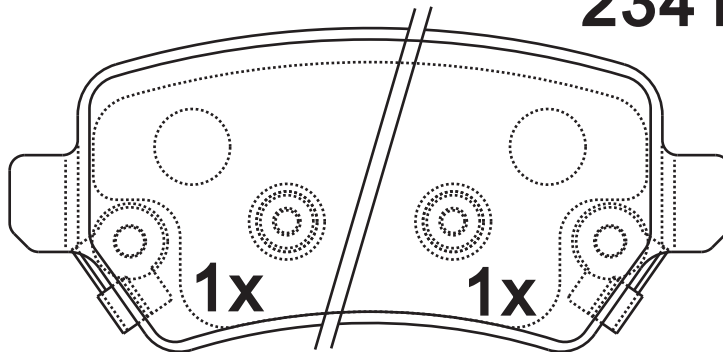


NOTE

4 identical, 1 with acoustic indicator (left), 1 with acoustic indicator (right).



23417



23655

23654

Apply for:

Kia Venga	Hatchback	02.10-
Opel Astra G	Hatchback	12.98-12.09
Opel Astra H	Hatchback	03.04-
Opel Astra H	Estate	08.04-
Opel Astra H	Convertible	09.05-
Opel Zafira A	MPV	09.00-06.05
Opel Zafira B	MPV	07.05-

SR0508.02

**Dimension
(mm)**

95.3×42.8

**Thickness
(mm)**

15.3



NOTE

**4 identical, 1 with
acoustic indicator(left),
1 with acoustic indicator
(right).**



取消 SR0508.02=SR0508.01+FJB0280.01

SR0508.03

**Dimension
(mm)**

95.3×42.8

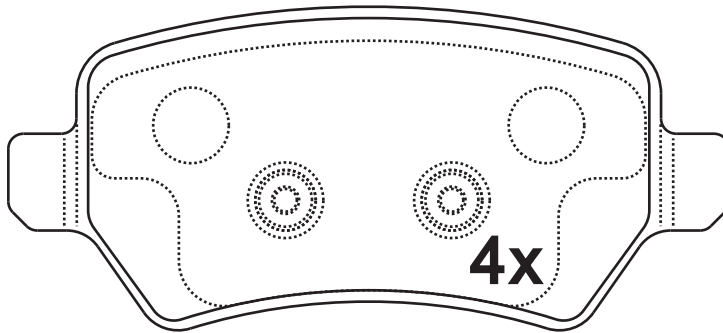
**Thickness
(mm)**

15.3



NOTE

4 identical;



23417

Apply for:

Opel Zafira B (A05)

Vauxhall Zafira Mk li (B) (A05)

2005/07-2015/04

2005/04-2014/11

SR0508

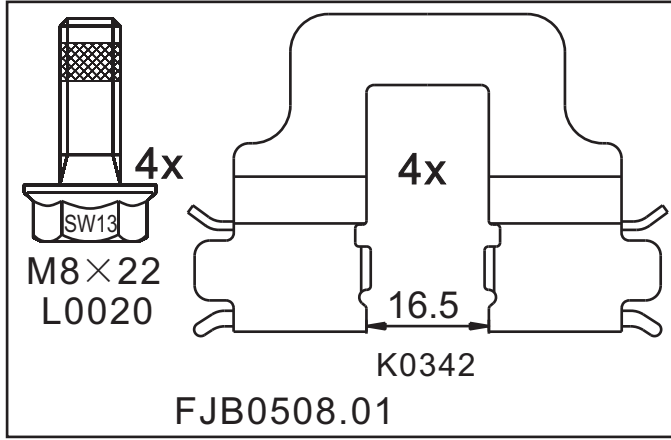
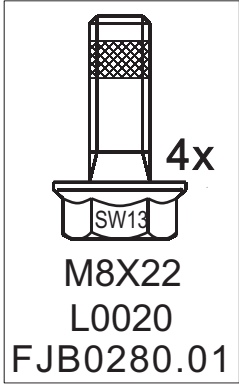
**Dimension
(mm)**

**Thickness
(mm)**



NOTE

**附件包
Accessory bag**



SR0509.01

**Dimension
(mm)**

**Thickness
(mm)**

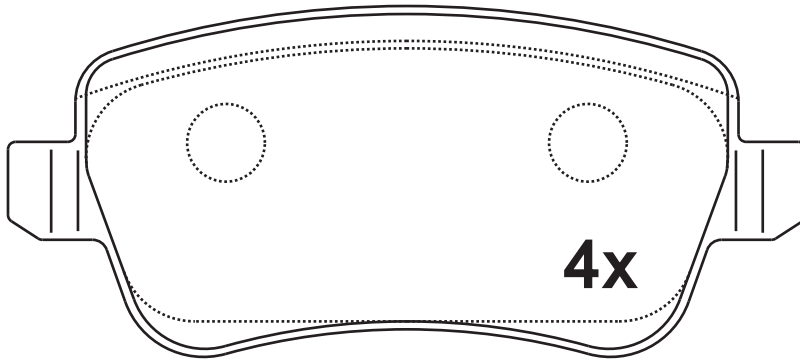


NOTE

4 identical;

105.5×46.4

17.1



24348

Apply for:

Fiat Croma

Estate

06.05-

SR0509

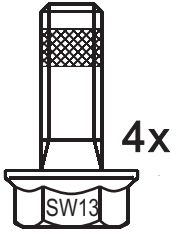
**Dimension
(mm)**

**Thickness
(mm)**

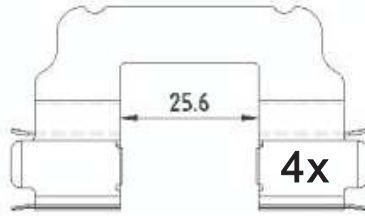


NOTE

**附件包
Accessory bag**

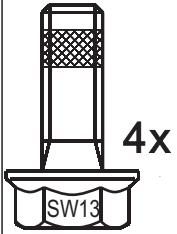


M8X22
L0020

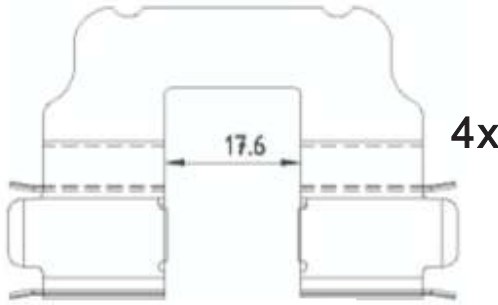


DX0052

FJB0509.01



M8X22
L0020



FJB0509.02 Dx0072

SR0510.01

**Dimension
(mm)**

106.1×47

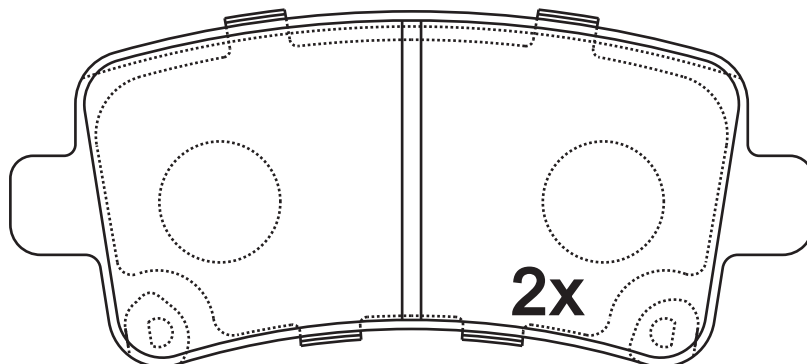
**Thickness
(mm)**

17.2

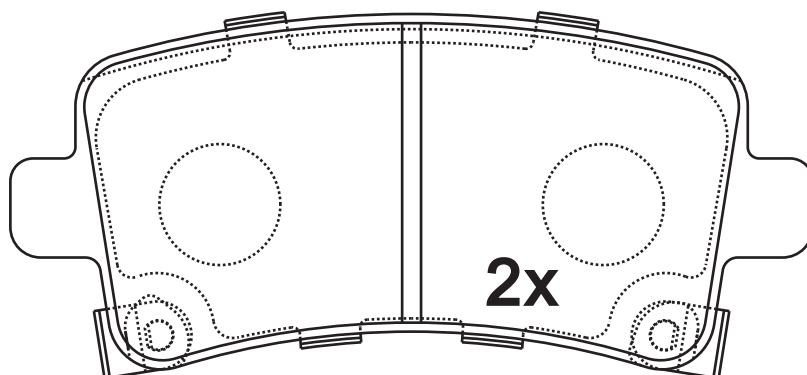


NOTE

4 identical, 1 with acoustic indicator(left), 1 with acoustic indicator(right).



24421



24422

Apply for:

Opel Insignia

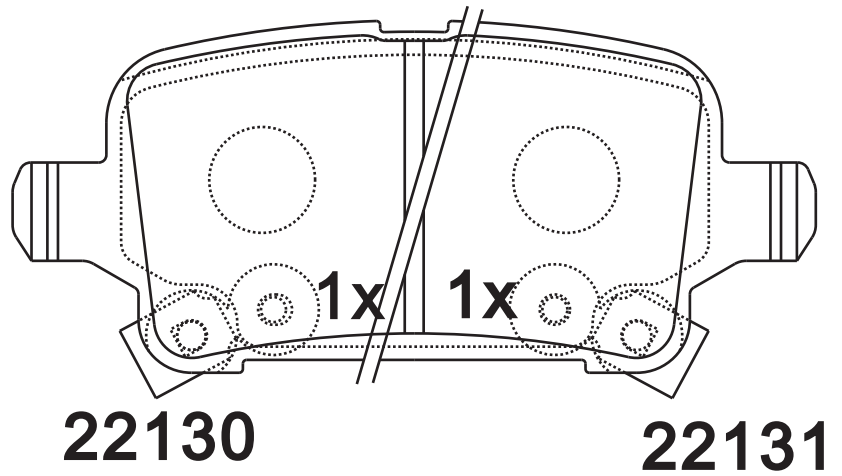
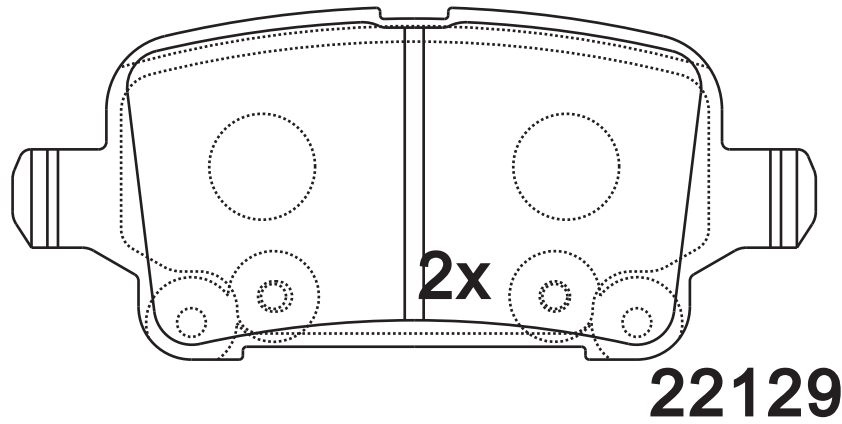
Estate

09.11-

SR0510.02

Dimension (mm)	Thickness (mm)	
106.2×46.6	16.6	

NOTE
4 identical, 1 with acoustic indicator(left), 1 with acoustic indicator(right).



Apply for:

15款科鲁兹

SR0510

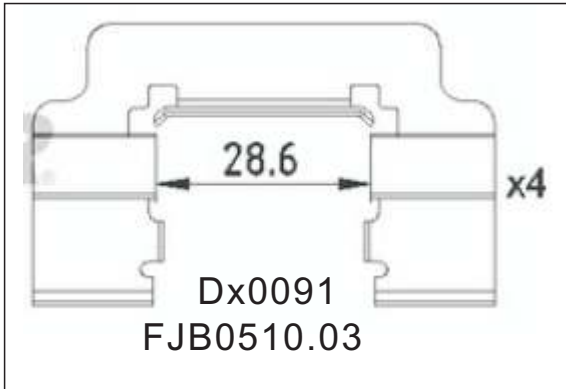
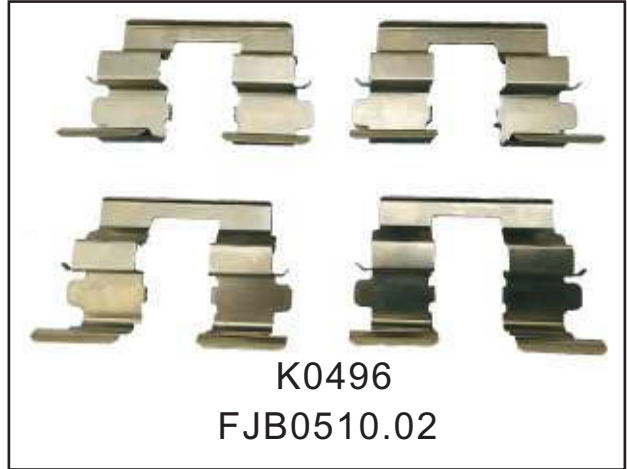
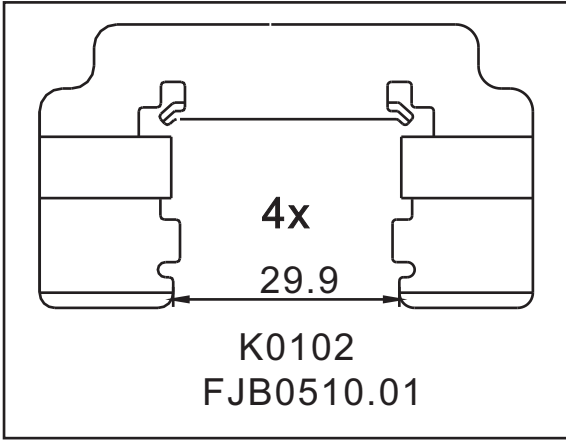
**Dimension
(mm)**

**Thickness
(mm)**



NOTE

**附件包
Accessory kit**



SR0511.01

**Dimension
(mm)**

**Thickness
(mm)**

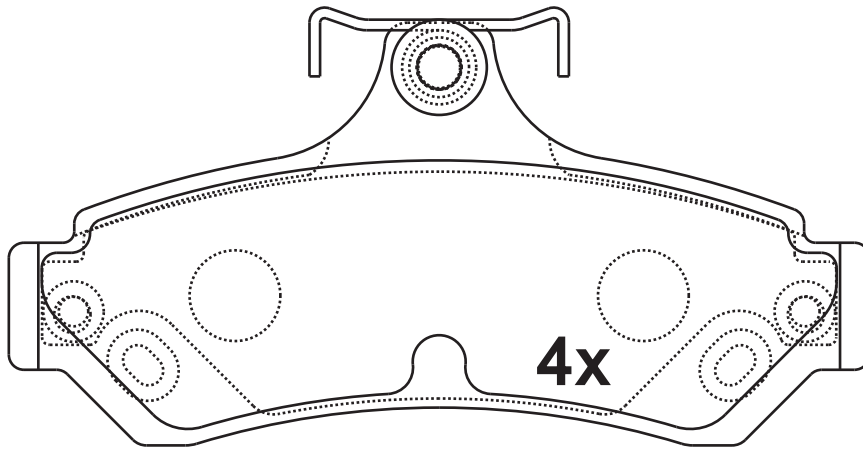


NOTE

4 identical;

113.8×55.9

16



25599

Apply for:

Toyota Camry

Saloon

09.11-

SR0511.02

**Dimension
(mm)**

113.8×55.9

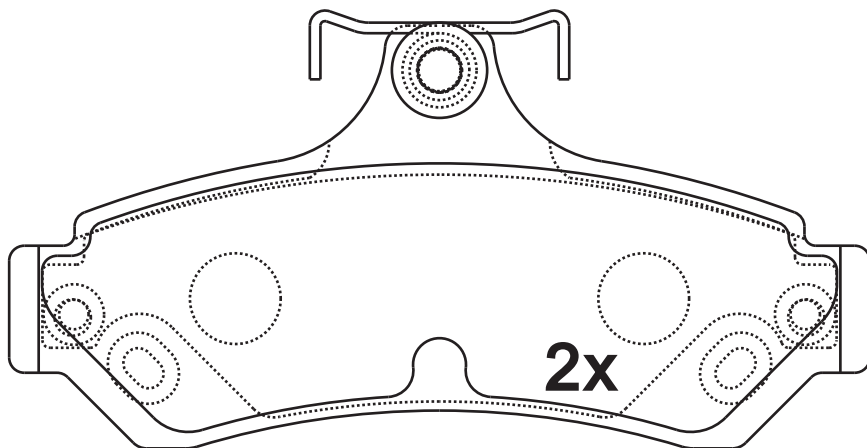
**Thickness
(mm)**

16

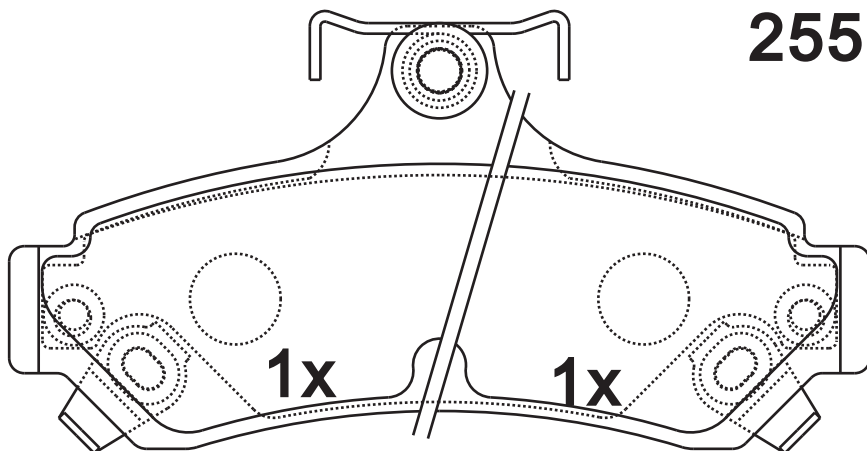


NOTE

4 identical, 1 with acoustic indicator (left), 1 with acoustic indicator (right).



25599



25601

25600

Apply for:

Toyota Camry

Saloon

09.11-

SR0512.01

**Dimension
(mm)**

192.3×79.3
193.1×79.3

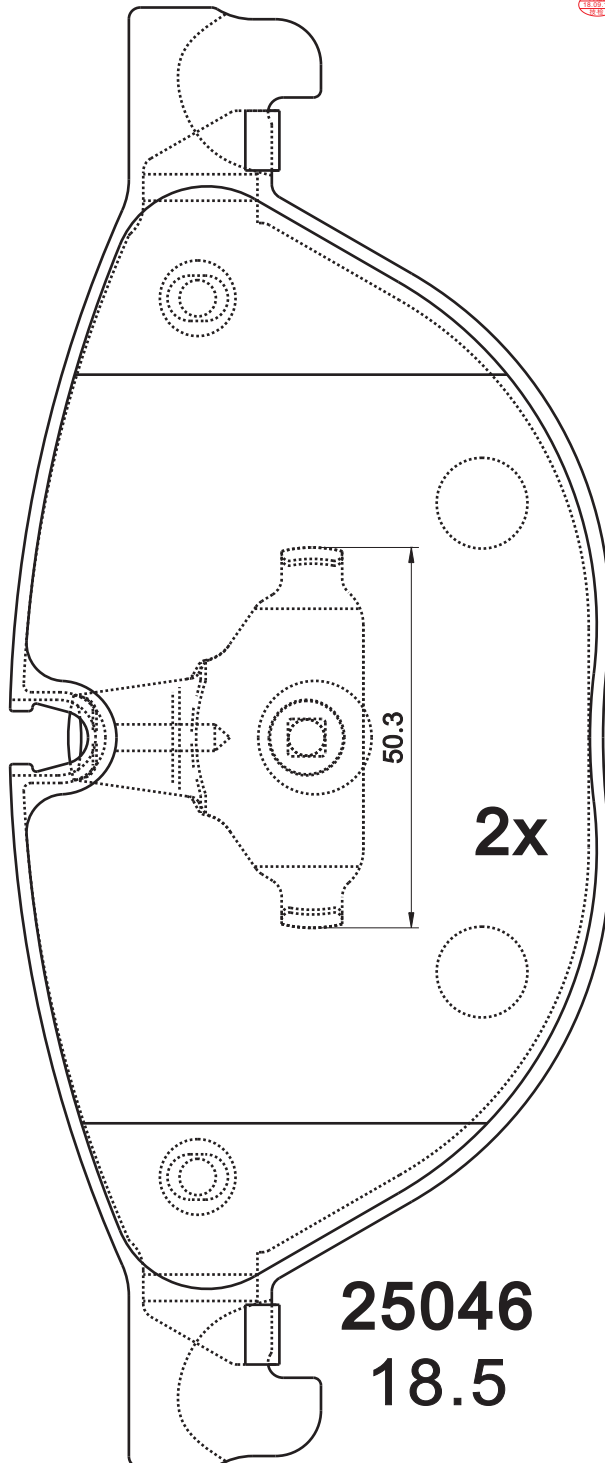
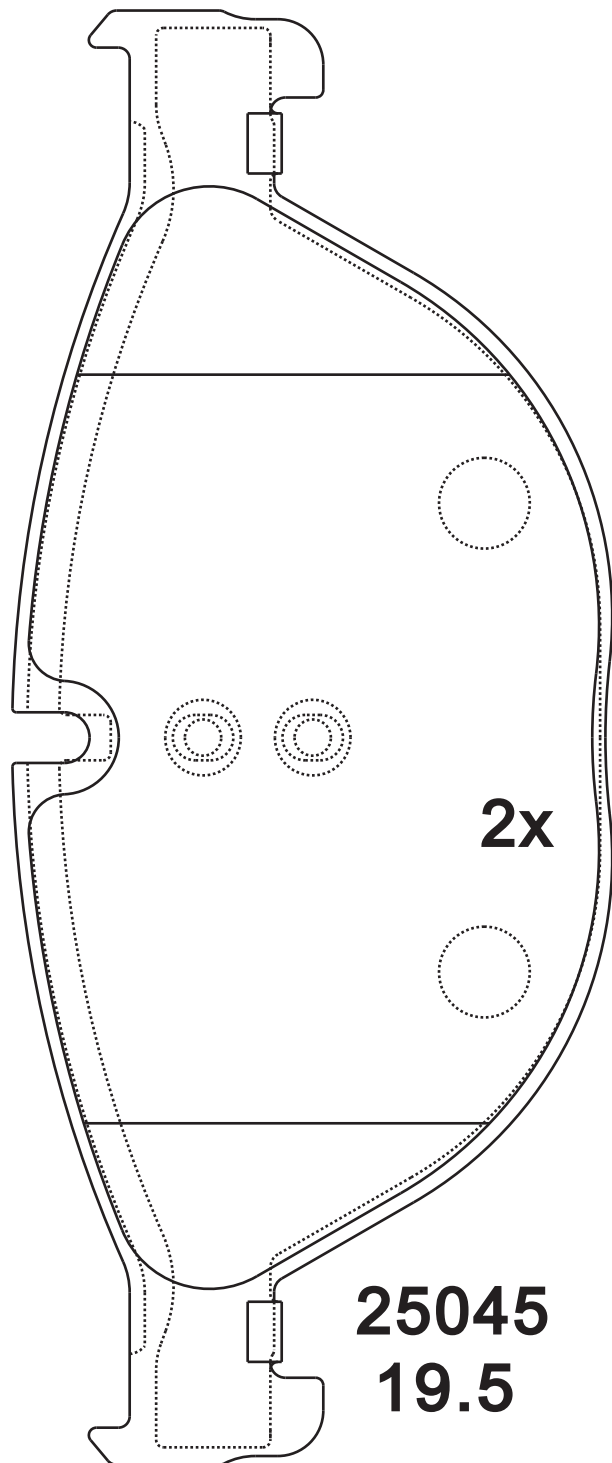
**Thickness
(mm)**

19.5/18.5



NOTE

**2 identical; 2 identical
with pring.**



Apply for:

- | | | |
|-------|-------------|--------|
| BMW 5 | Hatchback | 10.09- |
| BMW 5 | Saloon | 03.10- |
| BMW 6 | Convertible | 01.13- |
| BMW 6 | Coupe | 01.13- |
| BMW 7 | Saloon | 10.08- |

SR0512

**Dimension
(mm)**

**Thickness
(mm)**



NOTE

附件包

Accessory bag

1x

98042400

X0107A总长1087mm

FJB1X0107A

2x

34356791958

X0107A总长1087mm

FJB2X0107A

SR0513.01

**Dimension
(mm)**

141.3×59.5
140.1×51.1

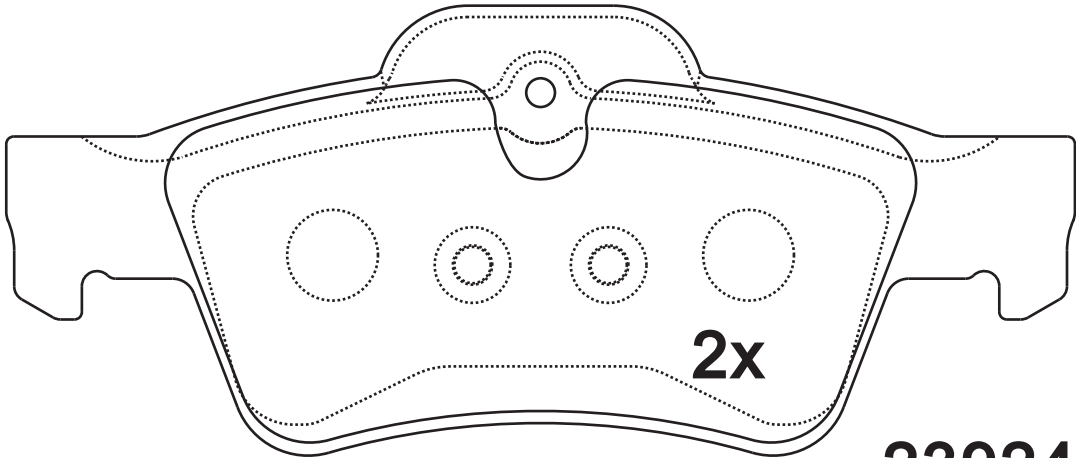
**Thickness
(mm)**

17.6

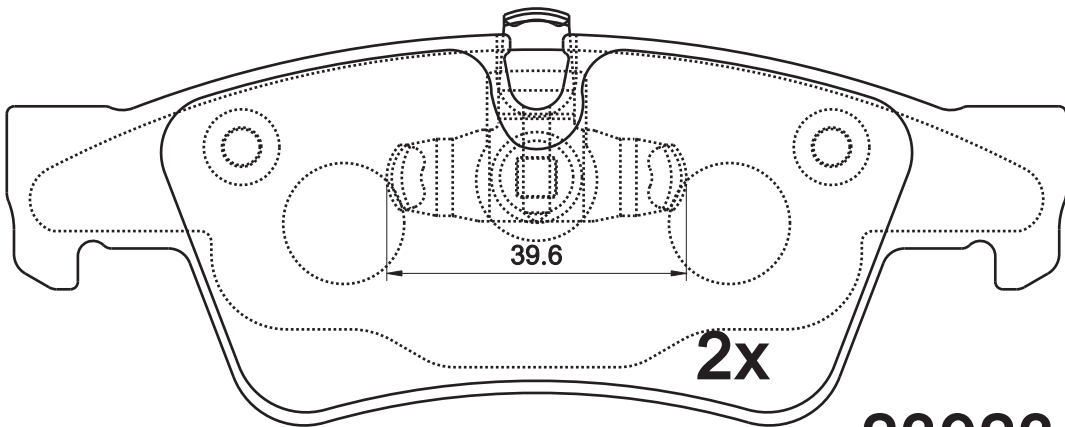


NOTE

**2 identical; 2 identical
with spring.**



23924



23923

Apply for:

Mercedes M-Class	Closed off-Road	07.05-
Mercedes R-Class	MPV	01.06-
Mercedes G-Class	Closed off-Road	05.12-
Mercedes GL-Class	Closed off-Road	09.06-

SR0513

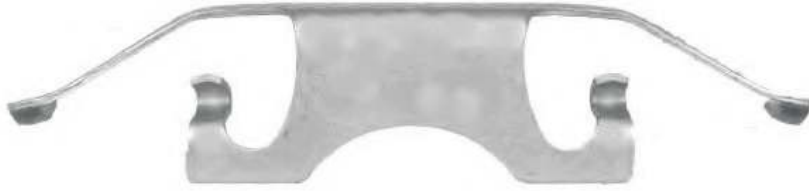
**Dimension
(mm)**

**Thickness
(mm)**



NOTE

附件包
Accessory bag



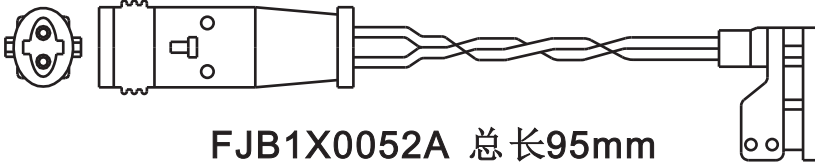
82076400



2x



K0415

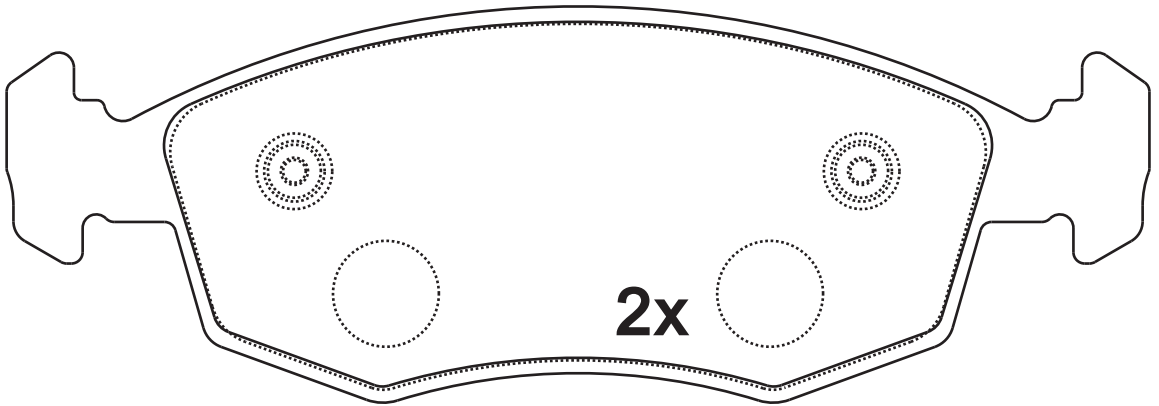
FJB0359.01(FJB0513.01编号取消)



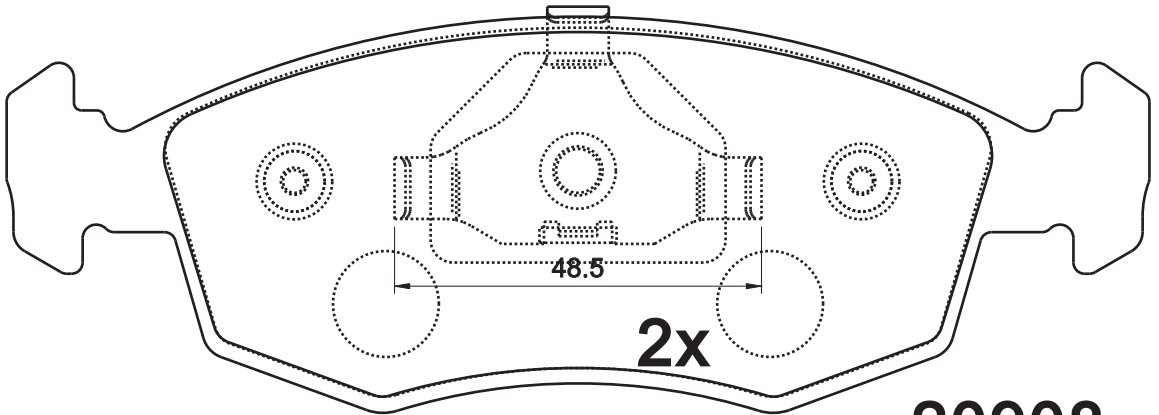
X1

FJB1X0052A 总长95mm

SR0514.01	Dimension (mm)	Thickness (mm)		NOTE 4 identical, 2 with springs
	151.1×52.4	18		



20907



20908

Apply for:

Ford Escort VI	Hatchback	08.93-01.95
Ford Escort VII	Hatchback	02.95-10.98
Ford Escort VII	Convertible	02.95-08.00

SR0514.02

**Dimension
(mm)**

151.1×52.4

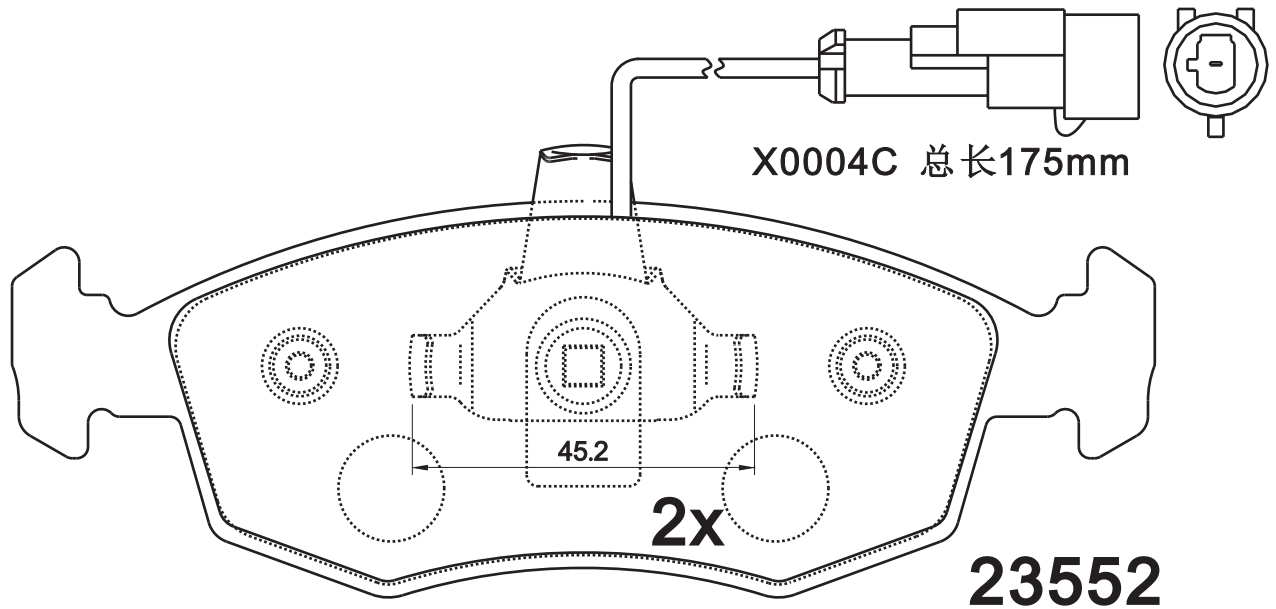
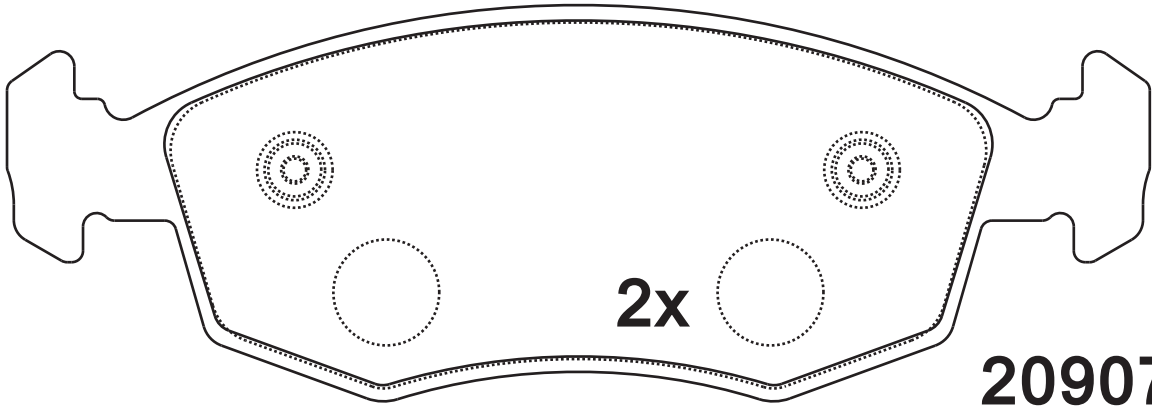
**Thickness
(mm)**

18



NOTE

4 identical, 2 with springs



Apply for:

Fiat Palio (178_)
Lancia Dedra (835)

1996/04-
1989/01-1999/07

SR0514.03

**Dimension
(mm)**

151.1×52.4

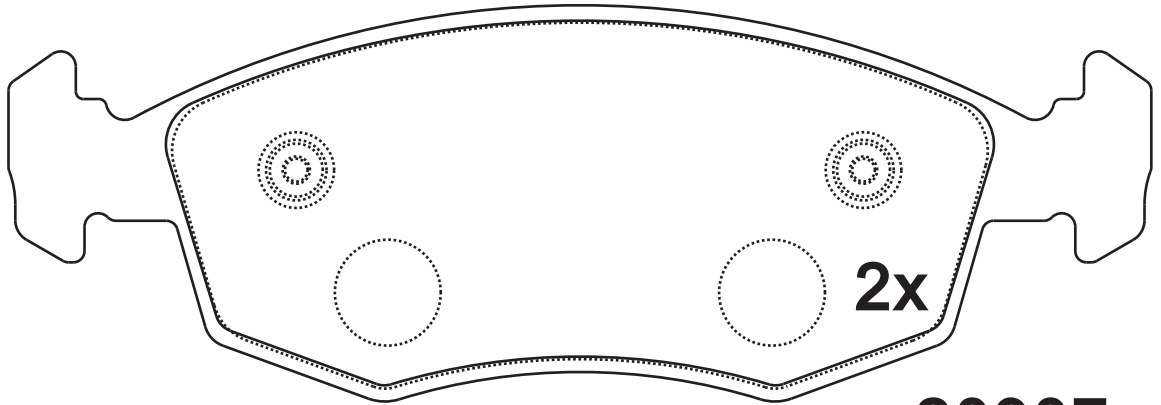
**Thickness
(mm)**

18

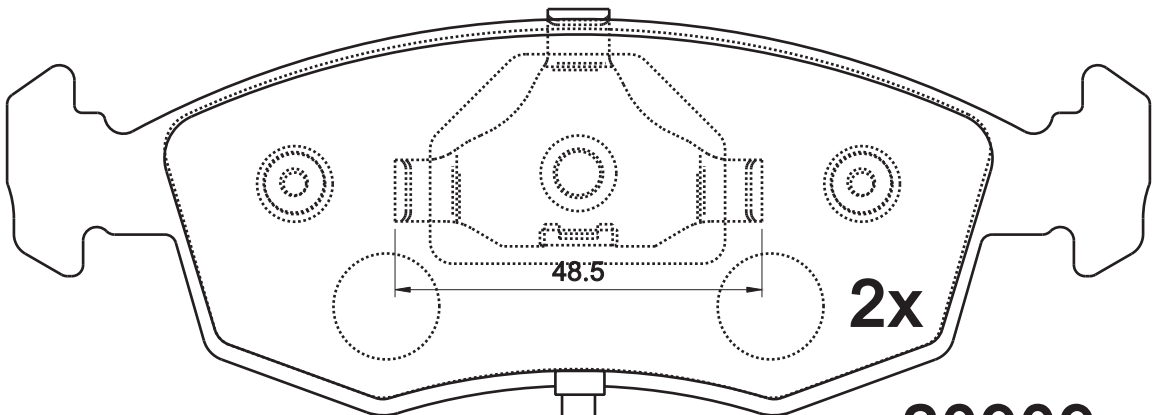


NOTE

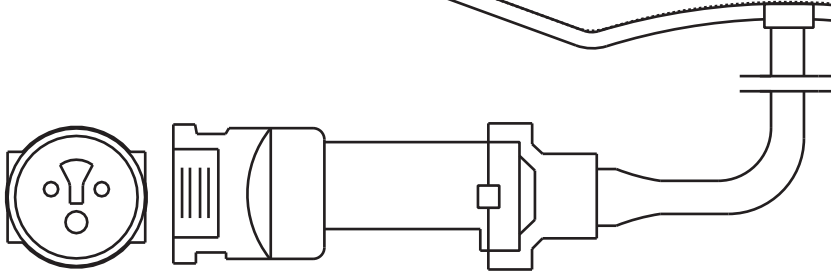
**4 identical, 2 with spring
and warn indicator.**



20907



20909



Apply for:

Fiat Palio
Fiat Palio Weekend

Hatchback
Estate

06.98-
07.97-10.03

SR0514.04

**Dimension
(mm)**

151.1×52.4

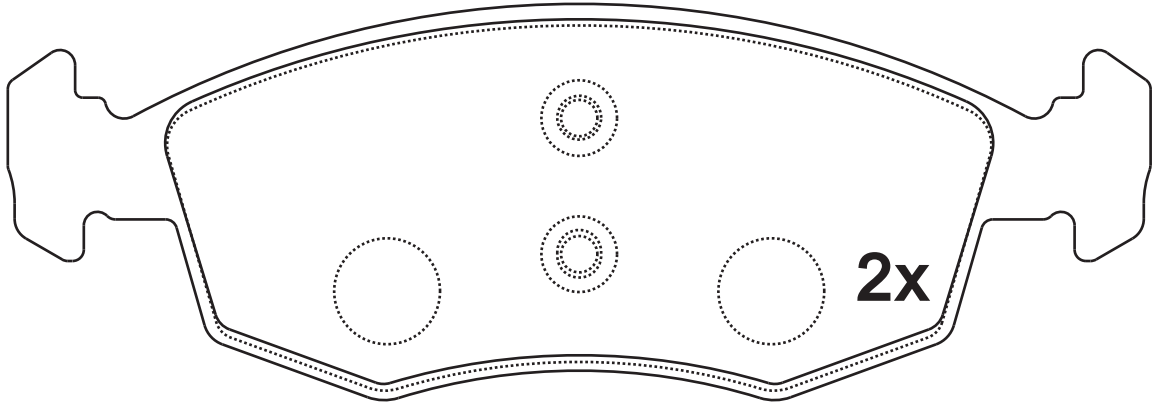
**Thickness
(mm)**

17.6

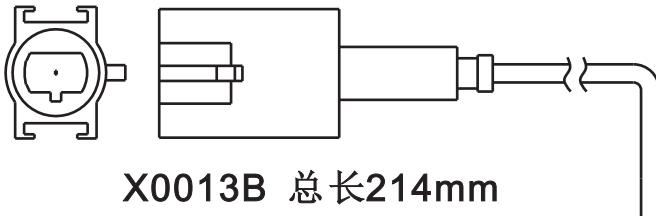


NOTE

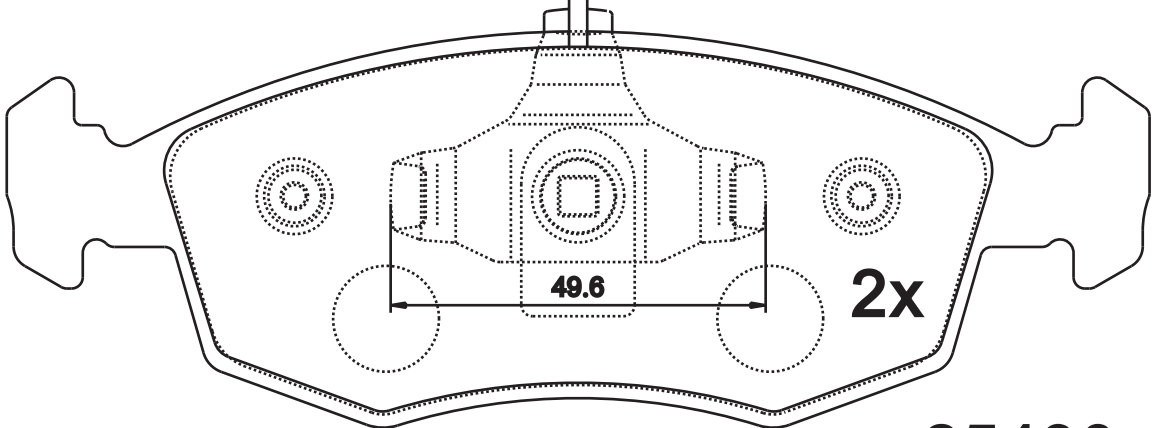
**4 identical, 2 with spring
and warn indicator.**



25429



X0013B 总长214mm



25430

Apply for:

Fiat Palio
Fiat Palio Weekend

Hatchback
Estate

06.98-
07.97-10.03

SR0514.05

**Dimension
(mm)**

151.1×52.4
150.2×52.4

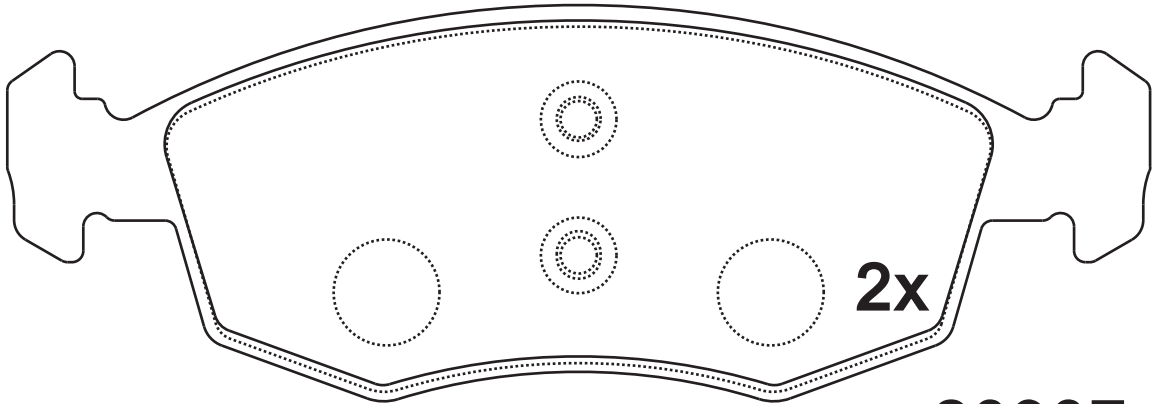
**Thickness
(mm)**

18

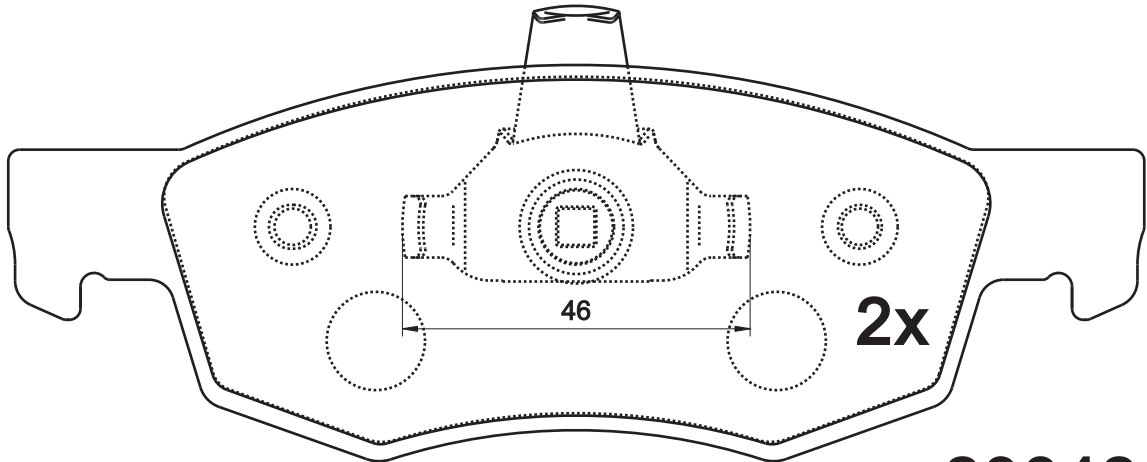


NOTE

**2 identical, 2 identical
with spring.**



20907



23842

Apply for:

Fiat Doblo

MPV

03.01-

SR0514.06

**Dimension
(mm)**

151.1×52.4
150.2×52.4

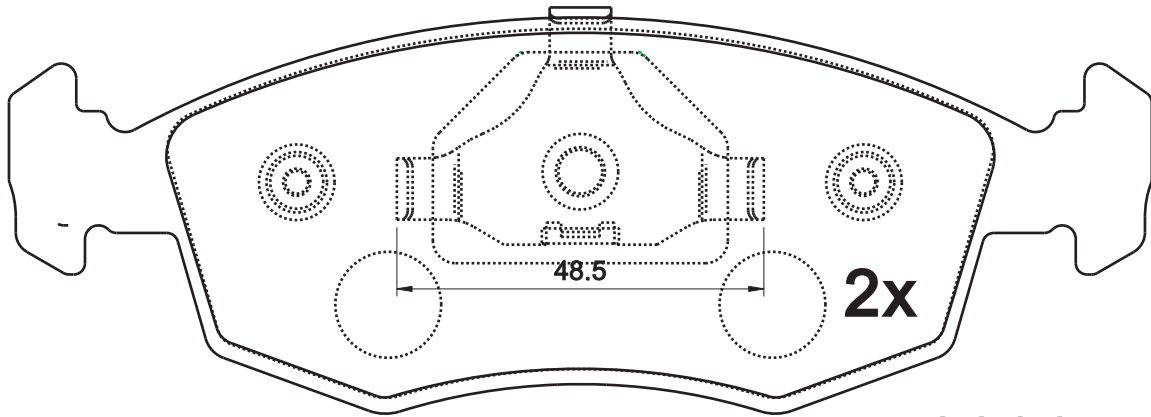
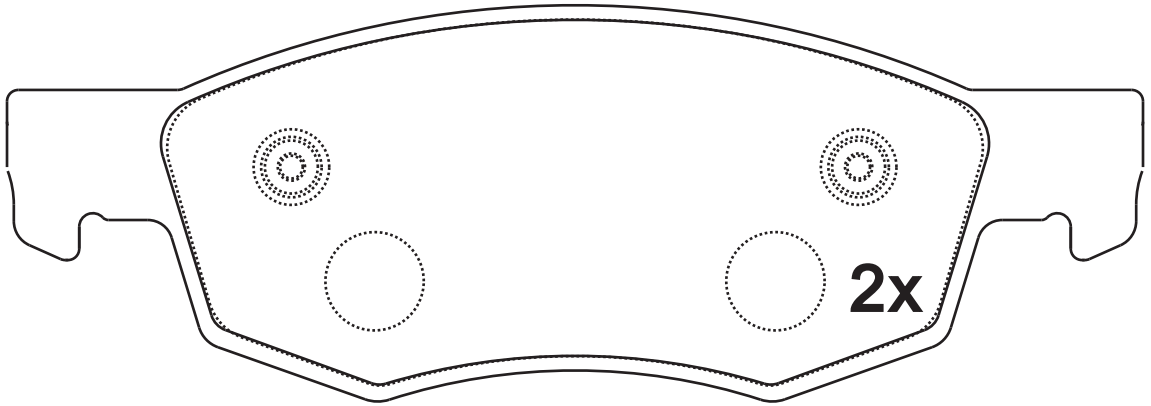
**Thickness
(mm)**

18.1



NOTE

**2 identical, 2 identical
with spring.**



20907

Apply for:

Fiat Doblo

MPV

03.01-

SR0514.07

**Dimension
(mm)**

151.3×52.5

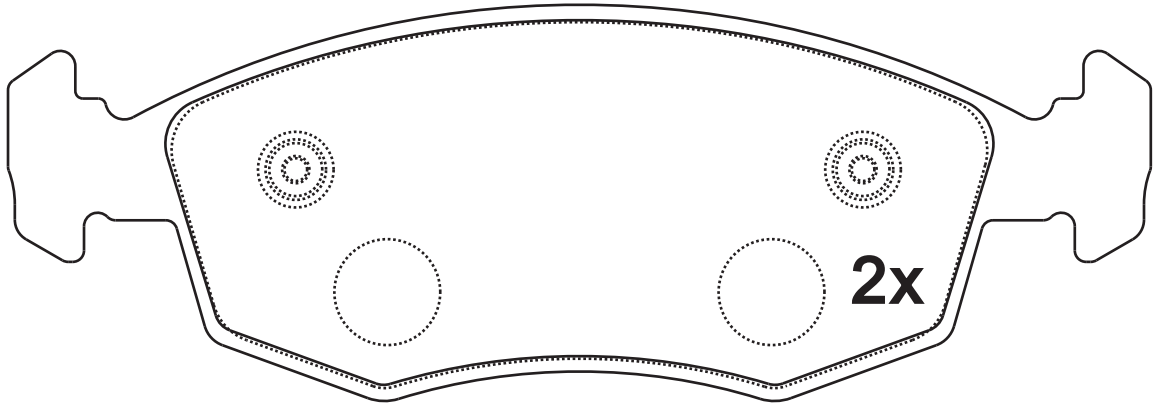
**Thickness
(mm)**

18

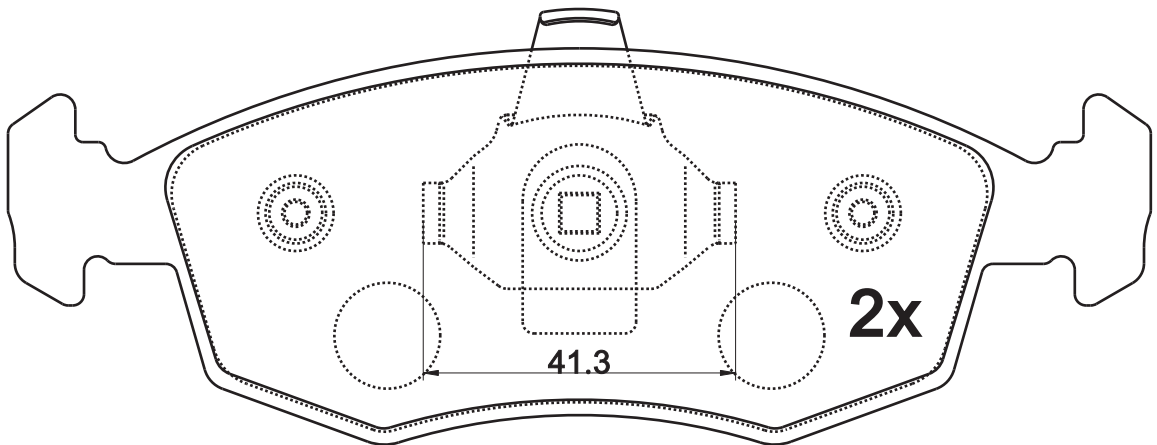


NOTE

**2 identical, 2 identical
with spring.**



20907



23552

Apply for:

Fiat Palio (Latin America)

2000-2008

SR0514.08

**Dimension
(mm)**

151.3×52.5

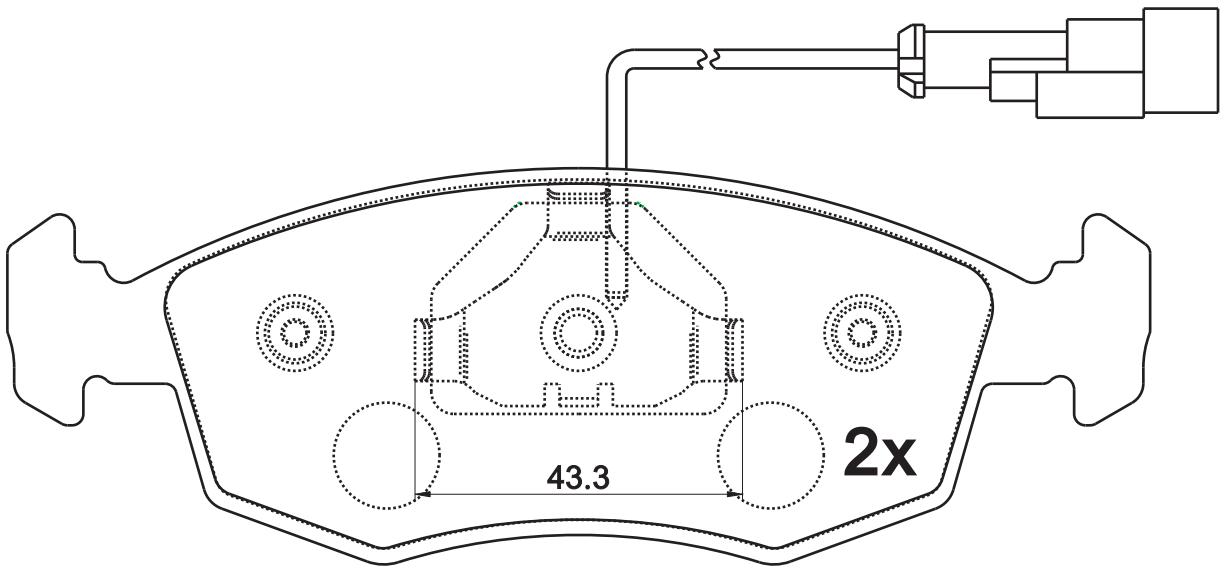
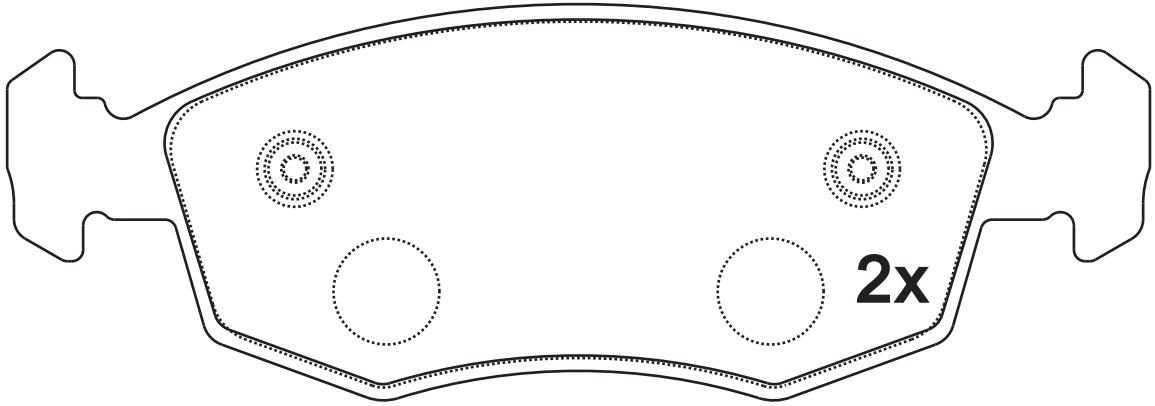
**Thickness
(mm)**

18



NOTE

2 identical, 2 identical
with spring.



GDB1341

Apply for:

Fiat Palio (Latin America)

2000-2008

SR0514.09

**Dimension
(mm)**

151.3×52.5

**Thickness
(mm)**

18



NOTE

**2 identical, 2 identical
with spring.**



2x

22837



2x

20907

Apply for:

Fiat Palio (Latin America)

2000-2008

SR0514

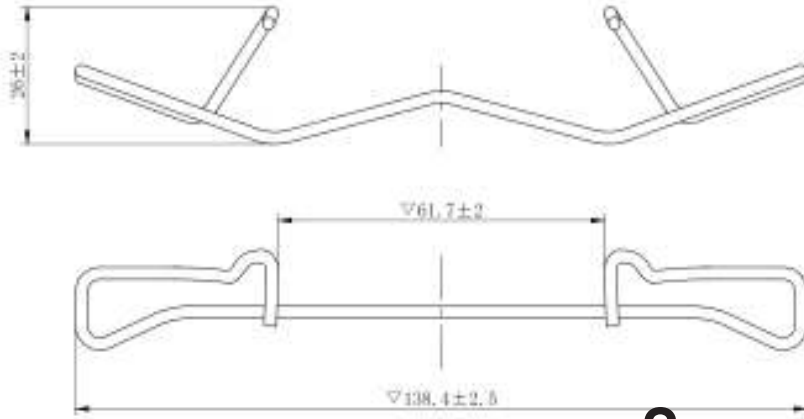
**Dimension
(mm)**

**Thickness
(mm)**



NOTE

**附件包
Accessory bag**



T0066

2x

FJB0514.01

SR0515.01

**Dimension
(mm)**

154.8×71.5
154.8×66.4

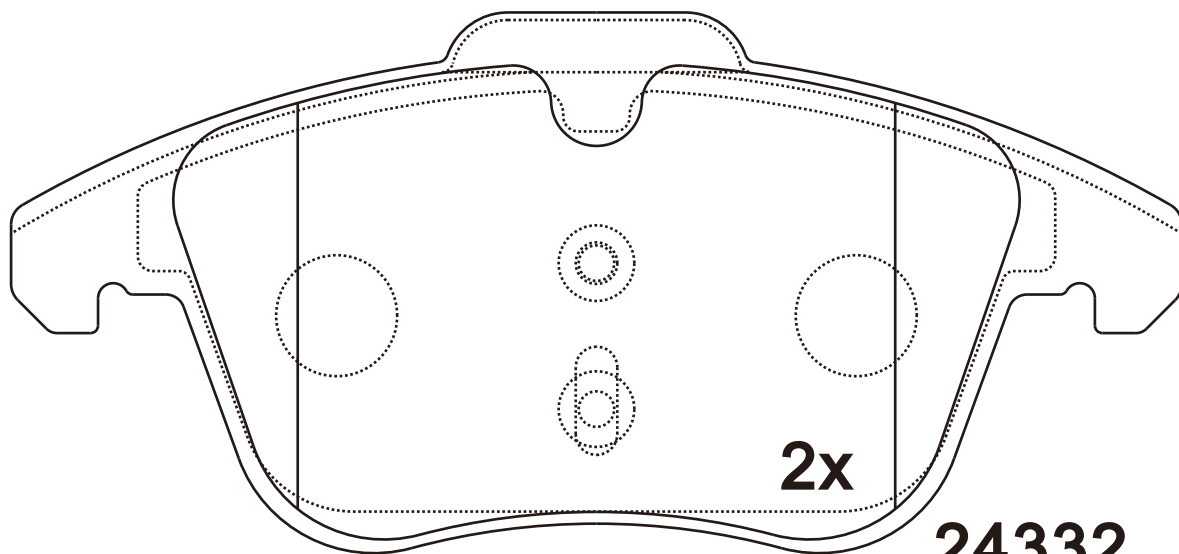
**Thickness
(mm)**

19.3
20.3

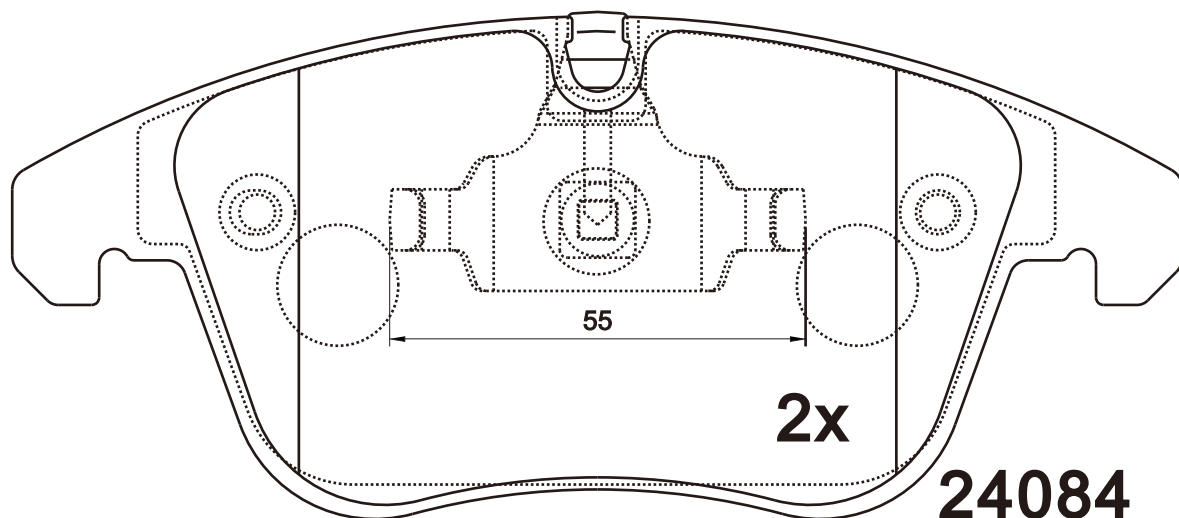


NOTE

**2 identical; 2 identical
with spring.**



24332



24084

Apply for:

Jaguar S-type	Saloon	01.99-10.07
Jaguar XF	Saloon	03.08-
Jaguar XJ	Saloon	05.03-03.09
Jaguar XK	Coupe	03.06-07.14
Jaguar XK	Convertible	03.06-07.14
Citroen C5 III	Saloon	02.08-
Citroen C5 III	Estate	02.08-

SR0515.02

**Dimension
(mm)**

154.8×71.5
154.8×66.4

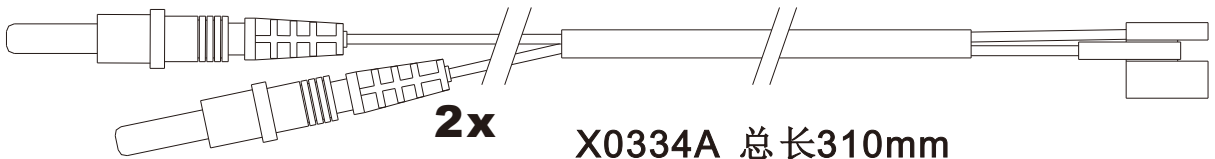
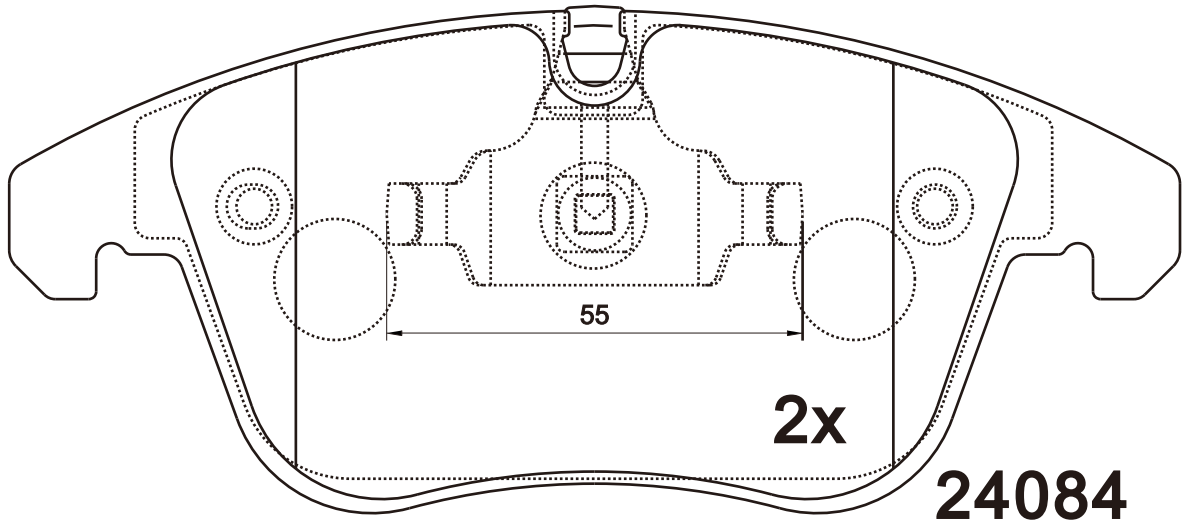
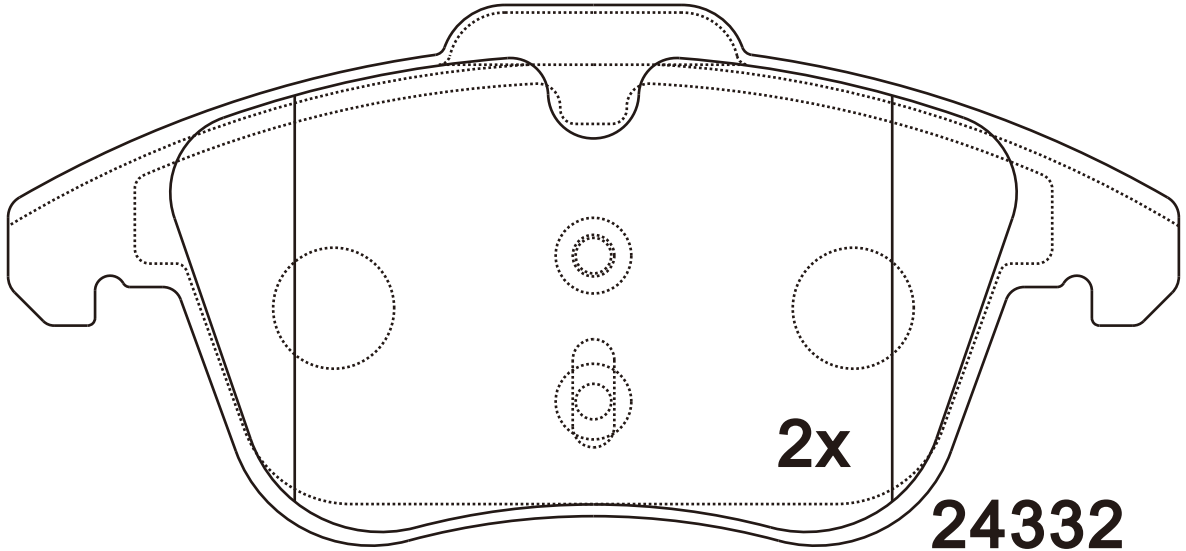
**Thickness
(mm)**

19.3
20.3



NOTE

**2 identical; 2 identical
with spring.**



Apply for:

Jaguar S-type	Saloon	01.99-10.07
Jaguar XF	Saloon	03.08-
Jaguar XJ	Saloon	05.03-03.09
Jaguar XK	Coupe	03.06-07.14
Jaguar XK	Convertible	03.06-07.14
Citroen C5 III	Saloon	02.08-
Citroen C5 III	Estate	02.08-

SR0515

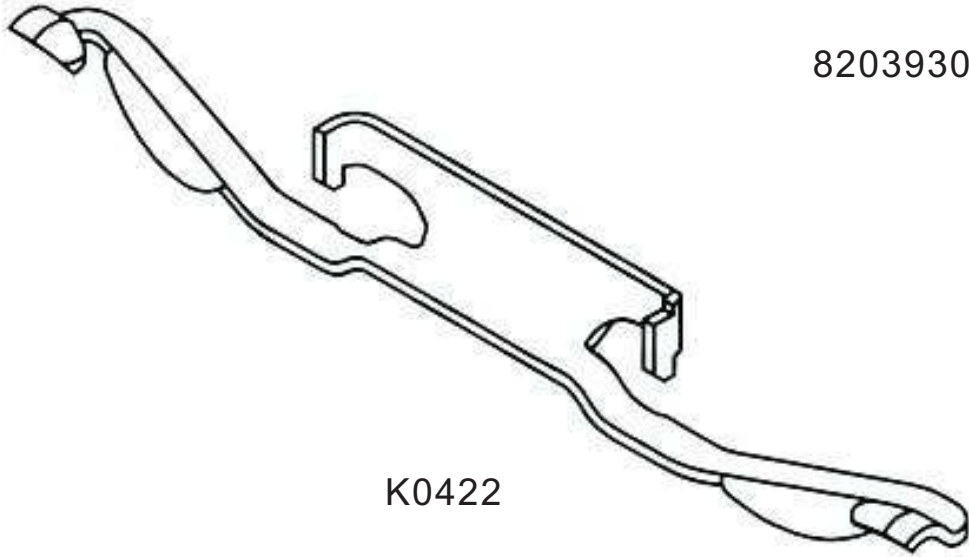
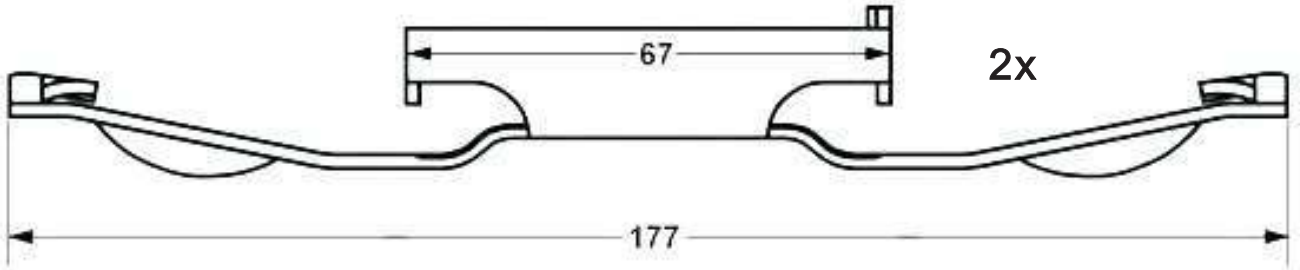
**Dimension
(mm)**

**Thickness
(mm)**



NOTE

附件包
Accessory bag



FJB0515.01

SR0516.01

**Dimension
(mm)**

**Thickness
(mm)**



NOTE

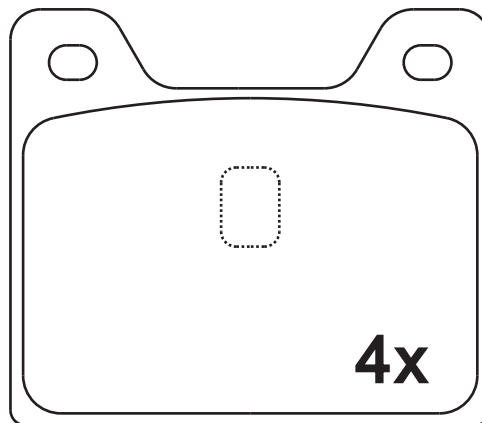
4 identical;

63.5×55.4

14.3



无模具



Apply for:

Peugeot 504	Saloon	1968-1986
Peugeot 504	Estate	1971-1986
Peugeot 504	Convertible	1974-1984
Peugeot 504	Coupe	1974-1984
Peugeot 504	Pickup	1980-1989

SR0516.02

**Dimension
(mm)**

**Thickness
(mm)**

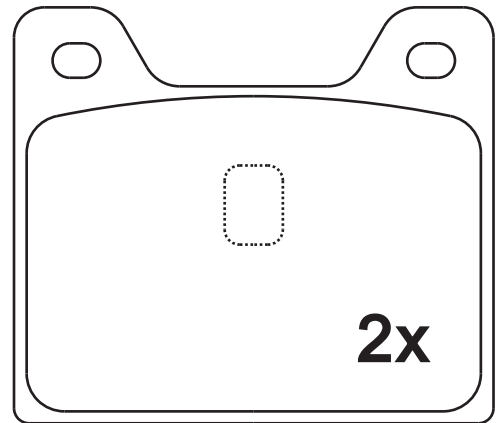
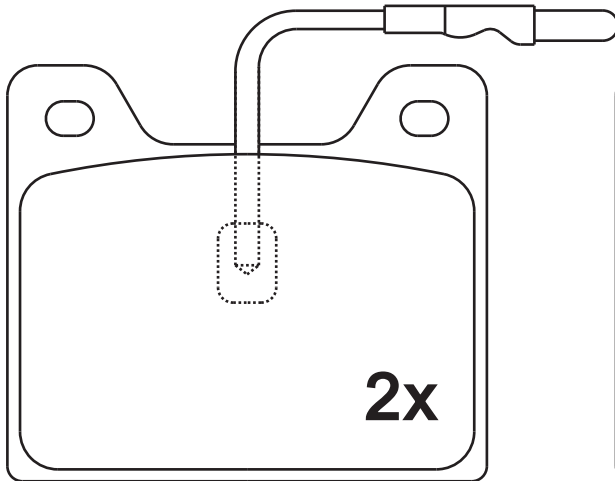


NOTE

**4 identical, 2 with warn
indicator**

63.4×55

14.5



2068.12

Apply for:

Peugeot 504	Saloon	1968-1986
Peugeot 504	Estate	1971-1986
Peugeot 504	Convertible	1974-1984
Peugeot 504	Coupe	1974-1984
Peugeot 504	Pickup	1980-1989

SR0517.01

**Dimension
(mm)**

**Thickness
(mm)**

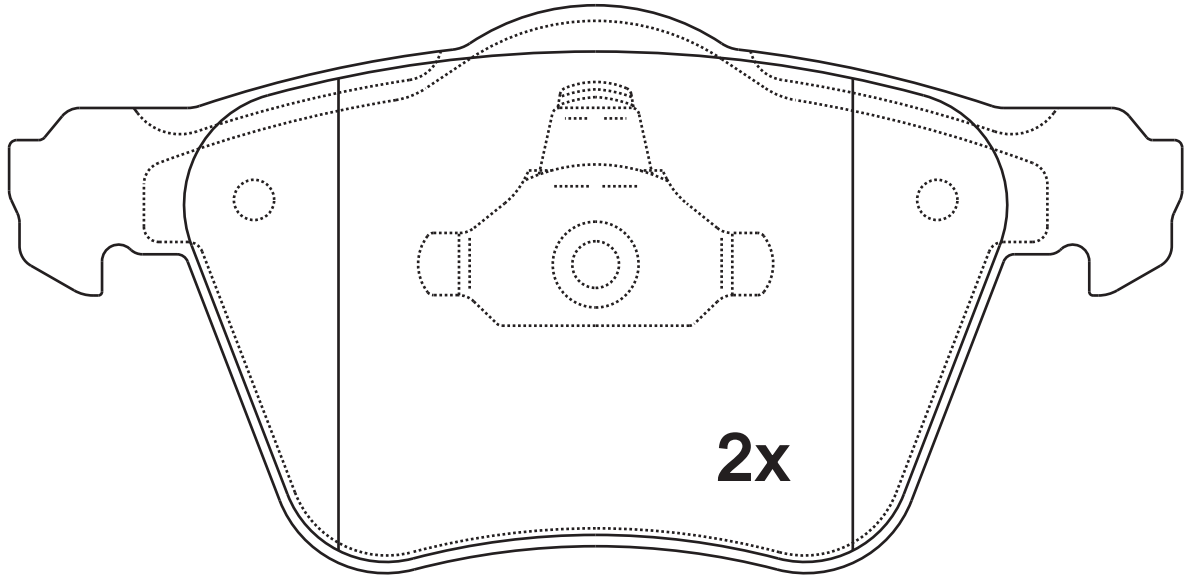


NOTE

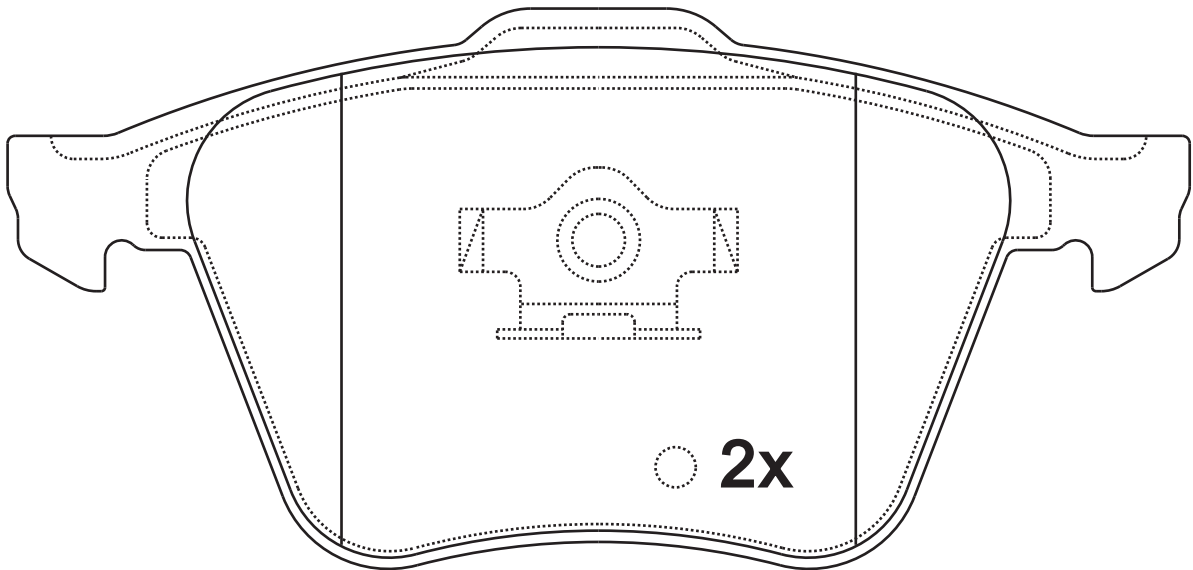
**2 identical with spring;
2 identical with spring.**

155.1/156.4×75.3/74.3

20.6/19.1



24142



24141

Apply for:

Volvo S60 II
Volvo S80 II
Volvo V60

Saloon
Saloon
Estate

04.10-
03.06-
09.10-

SR0517.02

**Dimension
(mm)**

**Thickness
(mm)**

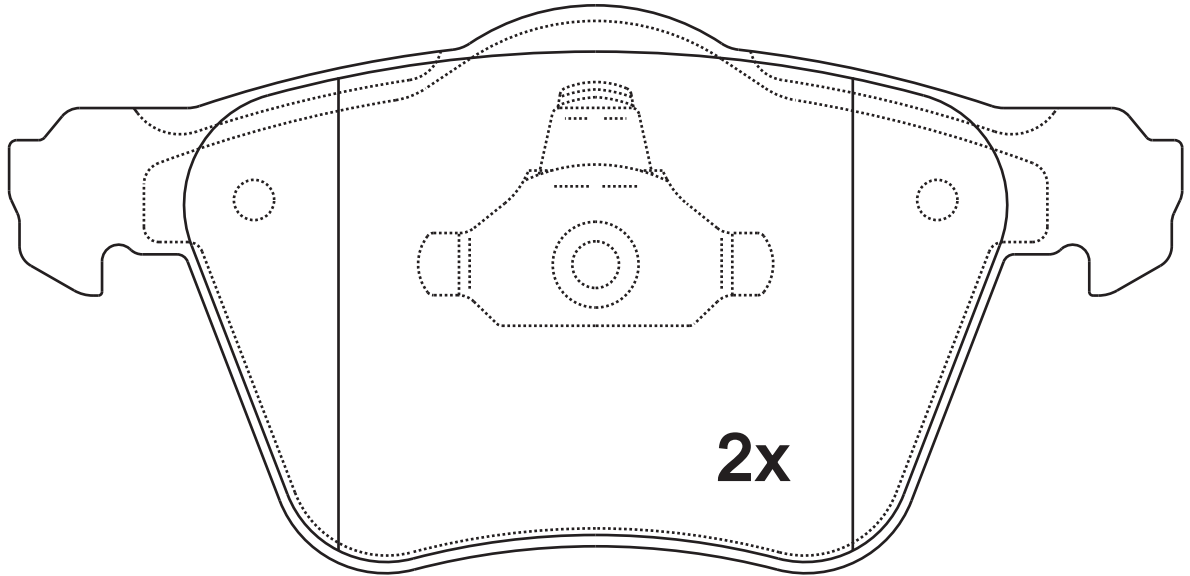


NOTE

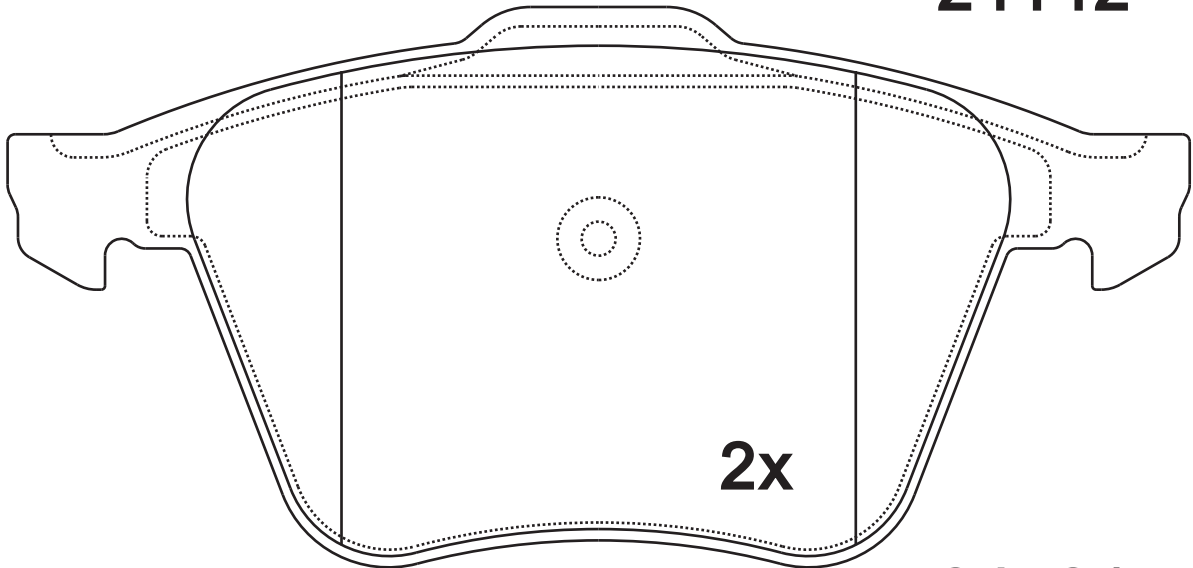
**2 identical with spring;
2 identical with spring.**

155.1/156.4×75.3/74.3

20.6/19.1



24142



24521

Apply for:

Jaguar S-Type R	2005-2008
Jaguar Super V8	2005-2009
Jaguar XF 3.0L	2014-
Jaguar XF Portfolio	2013-
Jaguar XF Supercharged	2009-
Jaguar XJ	2011-
Jaguar XJR	2005-2009
Jaguar XJ RWD	2013-2014
Jaguar XKR	2007-2009

SR0517.03

**Dimension
(mm)**

155.1/156.4×75.3/74.3

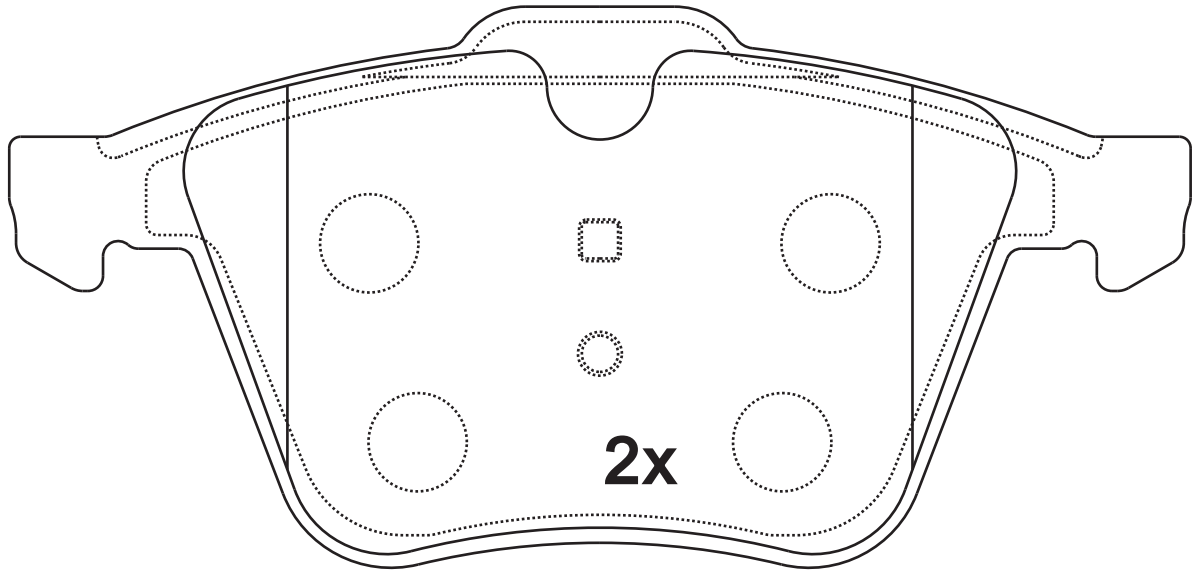
**Thickness
(mm)**

20/18.5

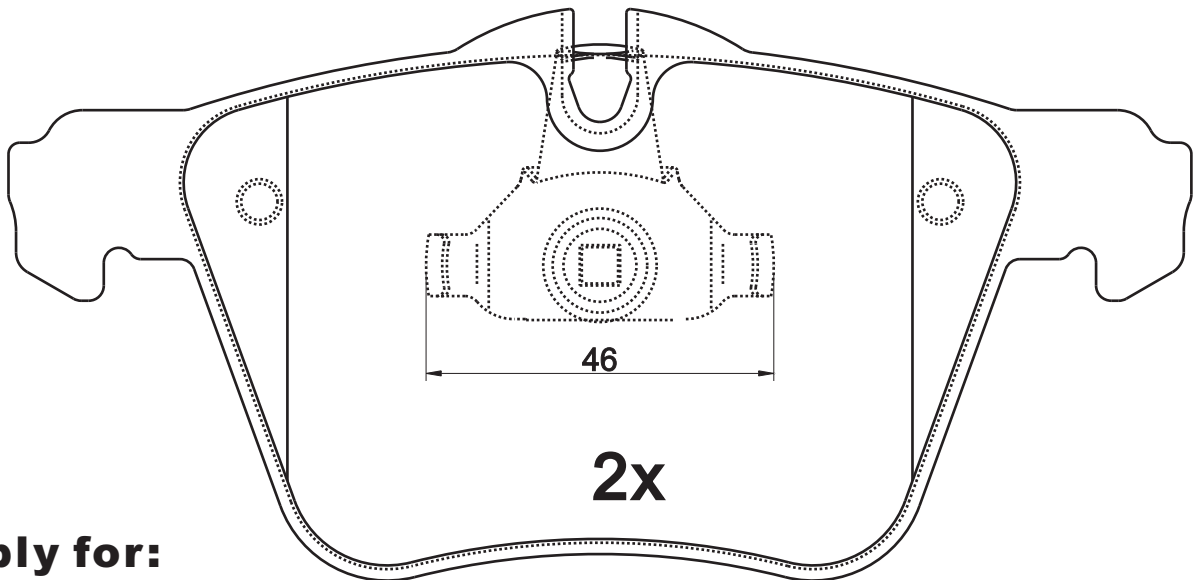


NOTE

**2 identical ,2 identical
with spring.**



D1305



Apply for:

- | | |
|------------------------------------|-----------|
| VOLVO S60 | 2014 |
| VOLVO S60 316mm Brake Rotors | 2011-2013 |
| VOLVO S80 | 2014 |
| VOLVO S80 3.2 w/316mm Brake Rotors | 2007-2009 |
| VOLVO S80 3.2 w/336mm Brake Rotors | 2007-2009 |
| VOLVO S80 316mm Brake Rotors | 2007-2013 |
| VOLVO S80 336mm Brake Rotors | 2007-2013 |
| VOLVO V70 316mm Brake Rotors | 2008-2010 |
| VOLVO XC70 | 2014 |
| VOLVO XC70 316mm Brake Rotors | 2008-2013 |
| VOLVO XC70 336mm Brake Rotors | 2008-2013 |

SR0517

**Dimension
(mm)**

**Thickness
(mm)**



NOTE

附件包
Accessory bag



2x

OE:C2D21335



X0255A总长700mm
FJB2X0255A

SR0518.01

**Dimension
(mm)**

180.7×59.2

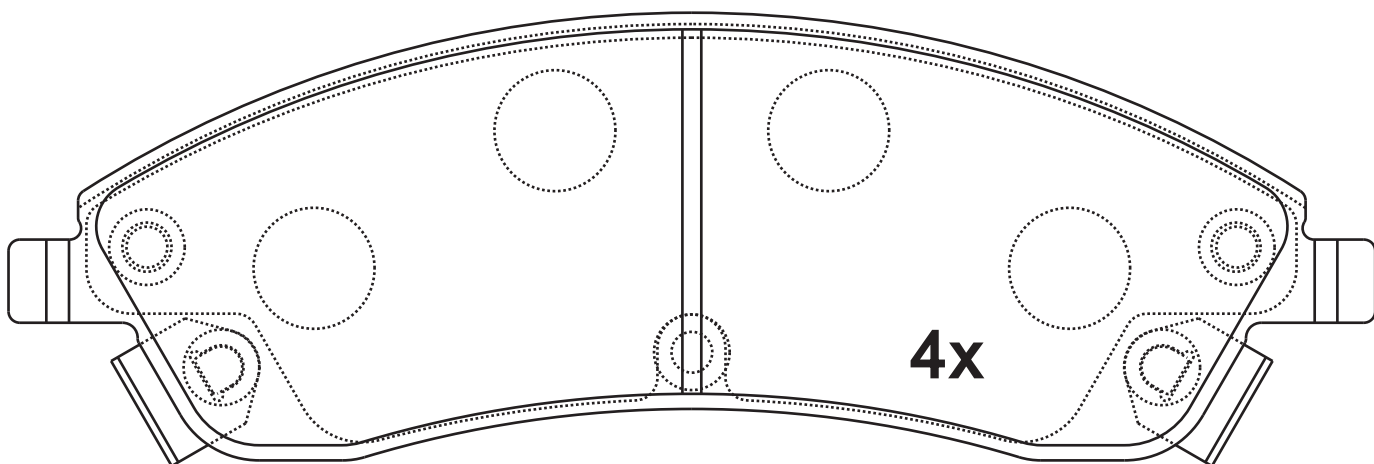
**Thickness
(mm)**

15.4



NOTE

4 identical;





24268

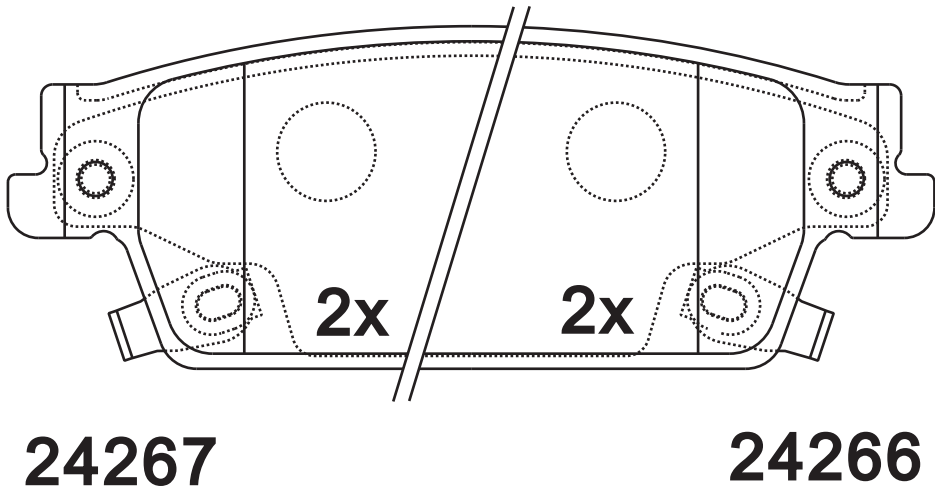
Apply for:

Cadillac SRX

Closed off-Road

01.04-12.08

SR0519.01	Dimension (mm)	Thickness (mm)		NOTE 4 identical, 2 with acoustic indicator (left), 2 with acoustic indicator (right).
	122.5×45.3	17.3		



Apply for:

Cadillac SRX

Closed off-Road

01.04-12.08

SR0520.01

**Dimension
(mm)**

150.5×56.4

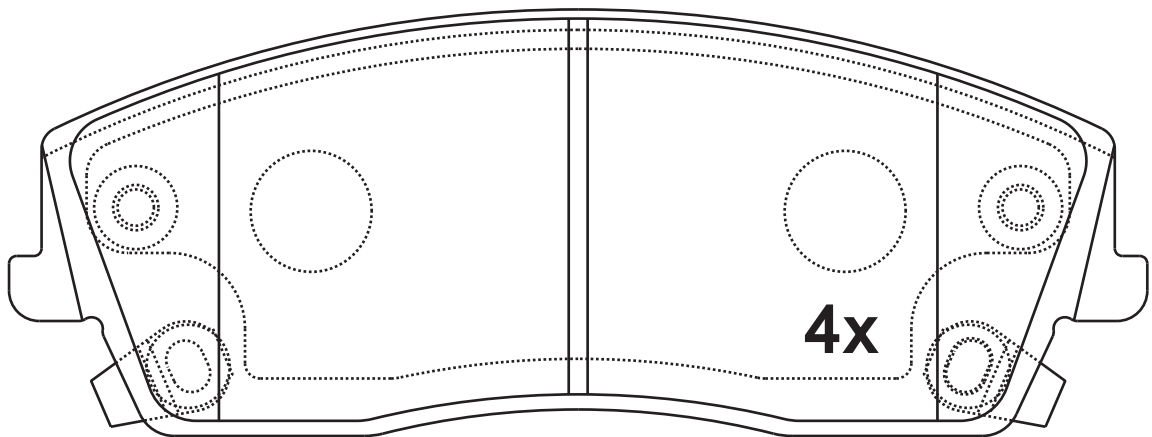
**Thickness
(mm)**

18.8



NOTE

**4 identical with 2 warn
indicators.**



24166

Apply for:

Chrysler 300 C
Chrysler 300 C

Saloon
Estate

09.04-
09.04-12.10

SR0521.01

**Dimension
(mm)**

101.2×57.3

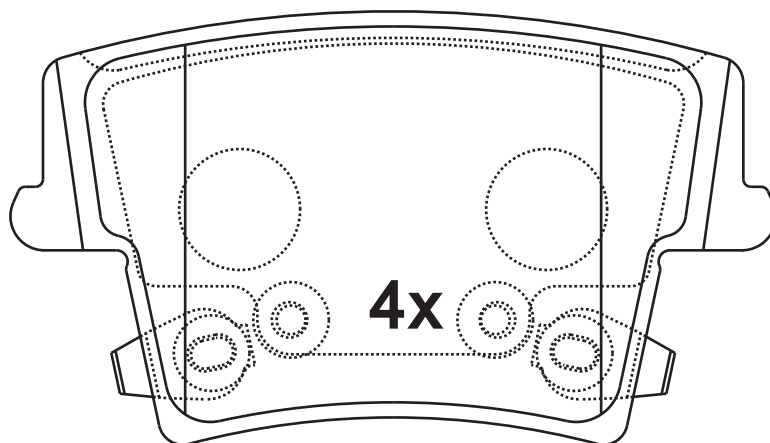
**Thickness
(mm)**

17.8



NOTE

**4 identical with 2 warn
indicators.**




24163


Apply for:

Chrysler 300 C

Saloon

10.06-01.12

SR0521	Dimension (mm)	Thickness (mm)		NOTE



Dx0071
FJB0521.01

SR0522.01

**Dimension
(mm)**

**Thickness
(mm)**

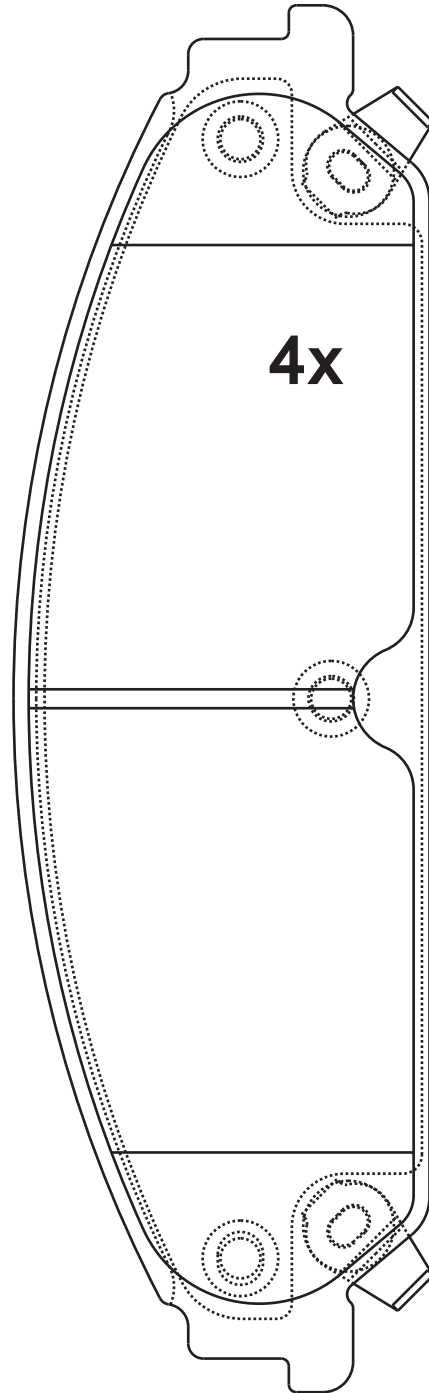


NOTE

4 identical with 2 warn indicators.

183.4×55

17.5



24164

Apply for:

Chrysler 300 C
Chrysler 300 C
Dodge Challenger
Lancia Thema

Saloon
Estate
Coupe
Saloon

09.04-12.10
09.04-
01.09-
09.11-

SR0523.01

**Dimension
(mm)**

154.6×63.3
155.1×63.4

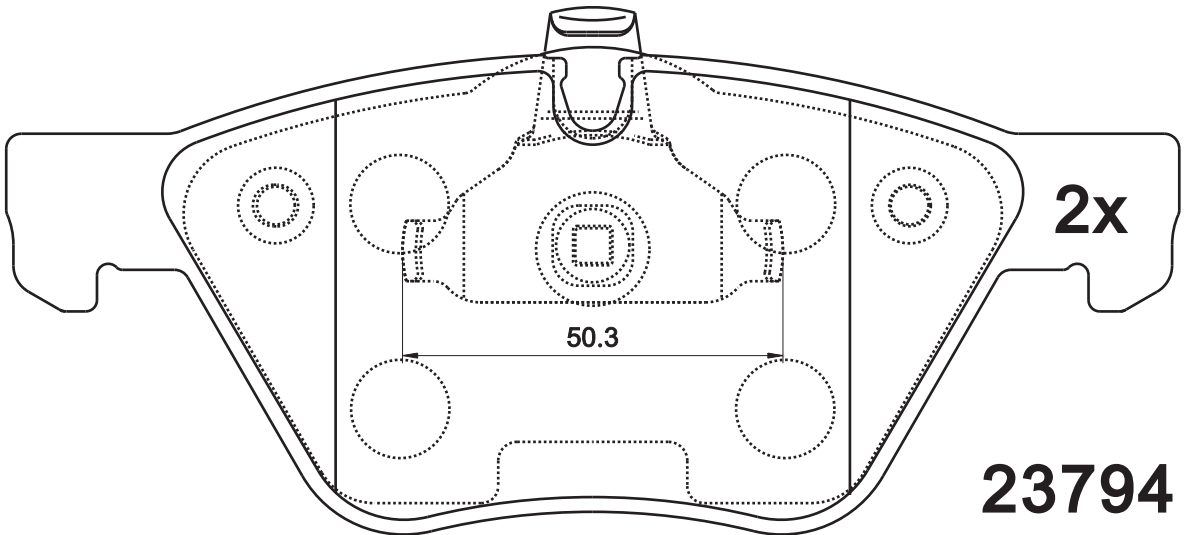
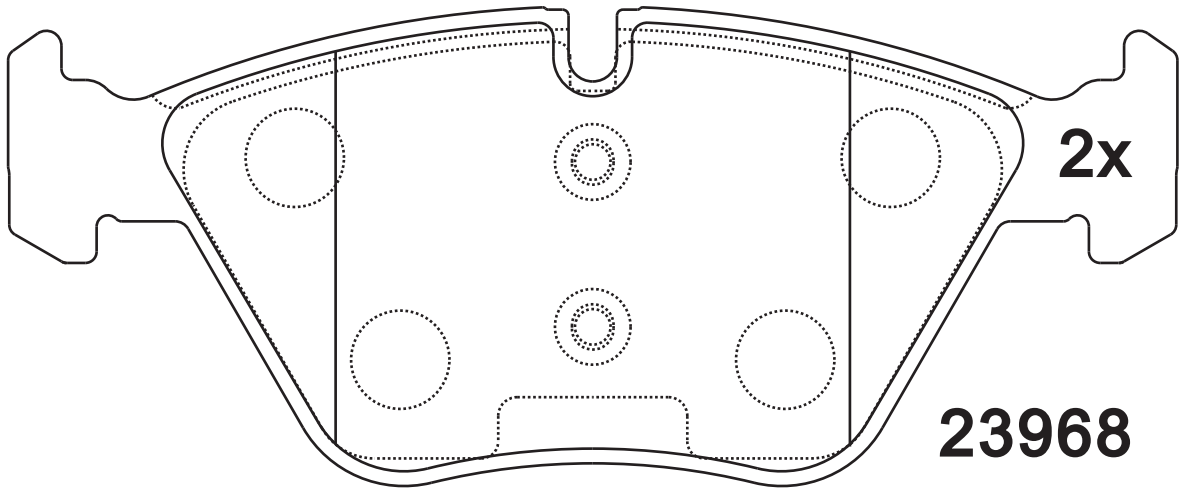
**Thickness
(mm)**

20.3



NOTE

**2 identical; 2 identical
with spring.**



Apply for:

BMW 1	Hatchback	11.03-09.12
BMW 1	Coupe	09.09-
BMW 1	Convertible	03.08-
BMW 3	Saloon	01.05-12.11
BMW 3	Estate	09.05-
BMW 3	Coupe	09.06-
BMW 3	Convertible	03.07-
BMW 3	Estate	01.10-
BMW Z4	Convertible	05.09-

SR0523.02

**Dimension
(mm)**

155.1/154.6×63.5

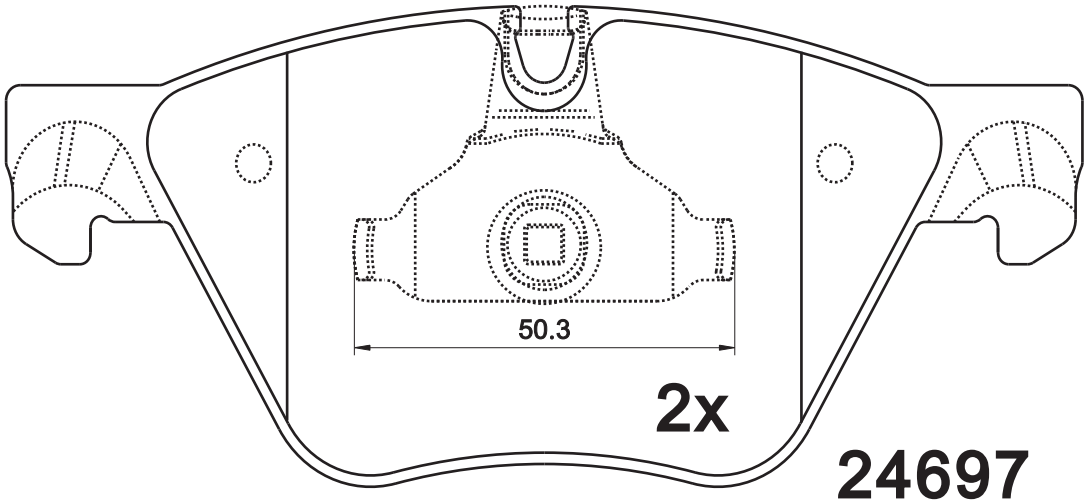
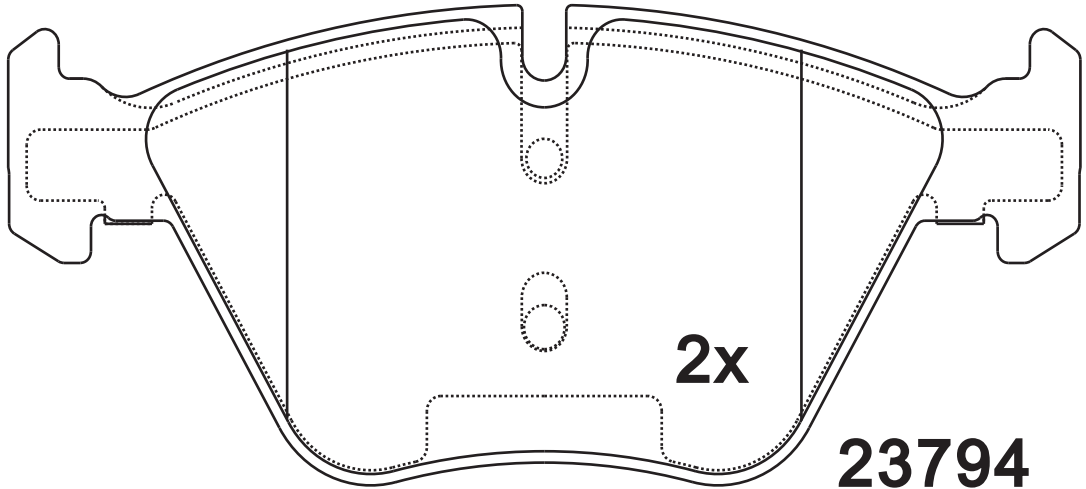
**Thickness
(mm)**

20.3



NOTE

**2 identical; 2 identical
with spring.**



Apply for:

BMW 528i
BMW 528i xDrive

2011-2015
2012-2015

SR0523.03

**Dimension
(mm)**

154.6×63.3
155.1×63.4

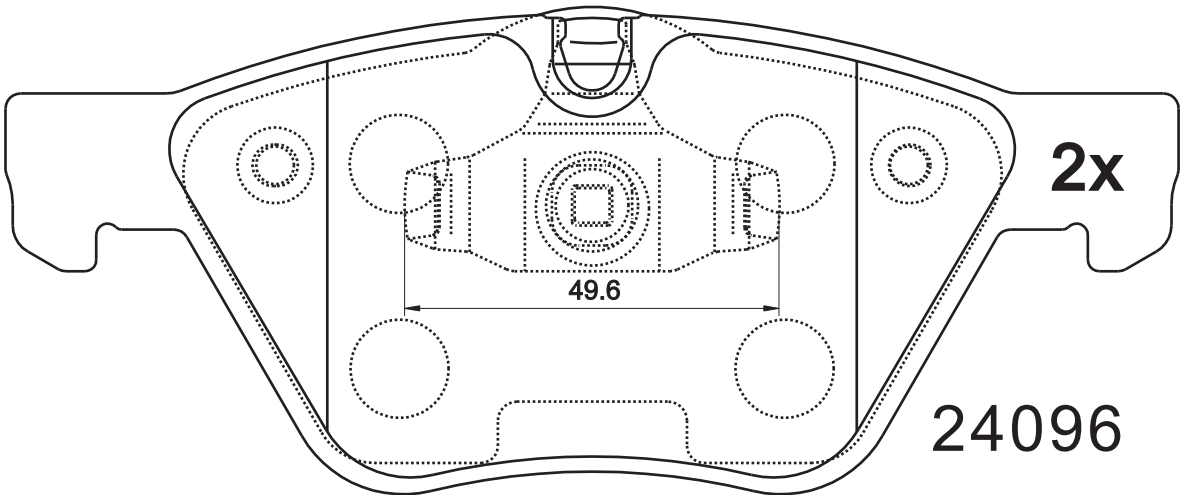
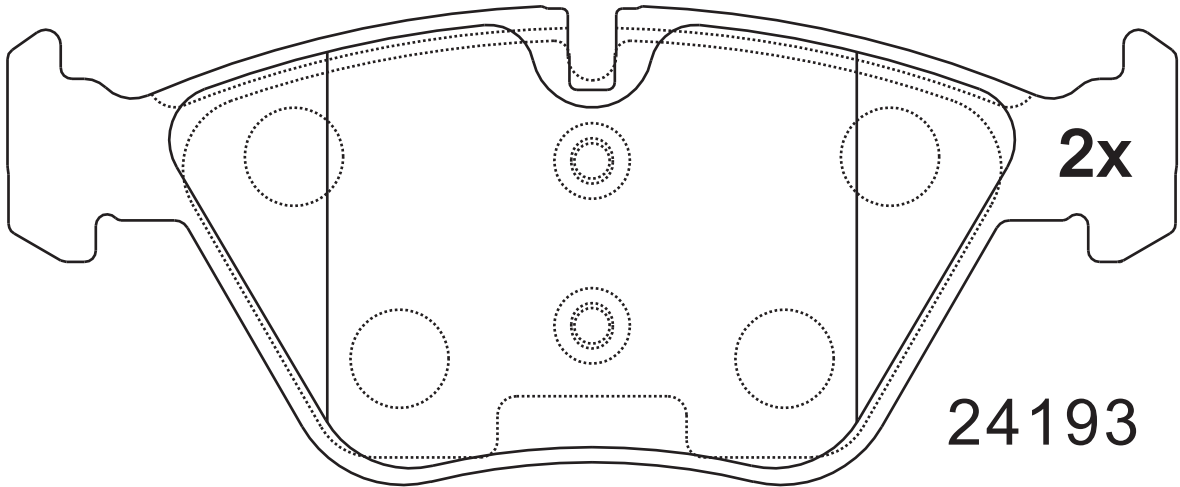
**Thickness
(mm)**

20.3



NOTE

**2 identical; 2 identical
with spring.**



Apply for:

- | | |
|-------------|-----------|
| BMW 1 (E81) | 2006-2012 |
| BMW 1 (E87) | 2003-2013 |
| BMW 1 (E88) | 2008- |
| BMW 1 (E82) | 2007- |
| BMW 3 (E90) | 2005-2011 |
| BMW 3 (E93) | 2006- |
| BMW 3 (E91) | 2005-2012 |
| BMW 3 (E92) | 2006- |
| BMW 3 (E90) | 2004-2012 |

SR0523

**Dimension
(mm)**

**Thickness
(mm)**



NOTE

附件包

Accessory bag

1x

98042400

X0107A总长1087mm

1x

98030400

X0110A总长670mm

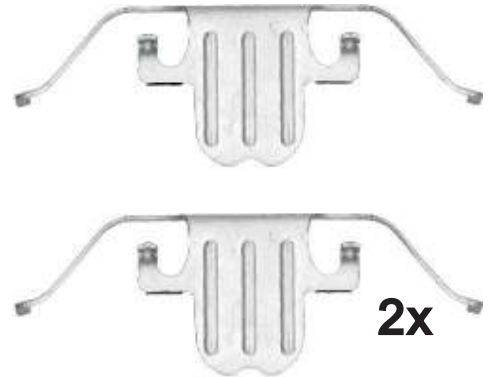
FJB1X0110A

2x

34356791958

X0107A总长1087mm

FJB2X0107A



2x

Dx0051

FJB0523.01

SR0524.01

**Dimension
(mm)**

178.2×58.6

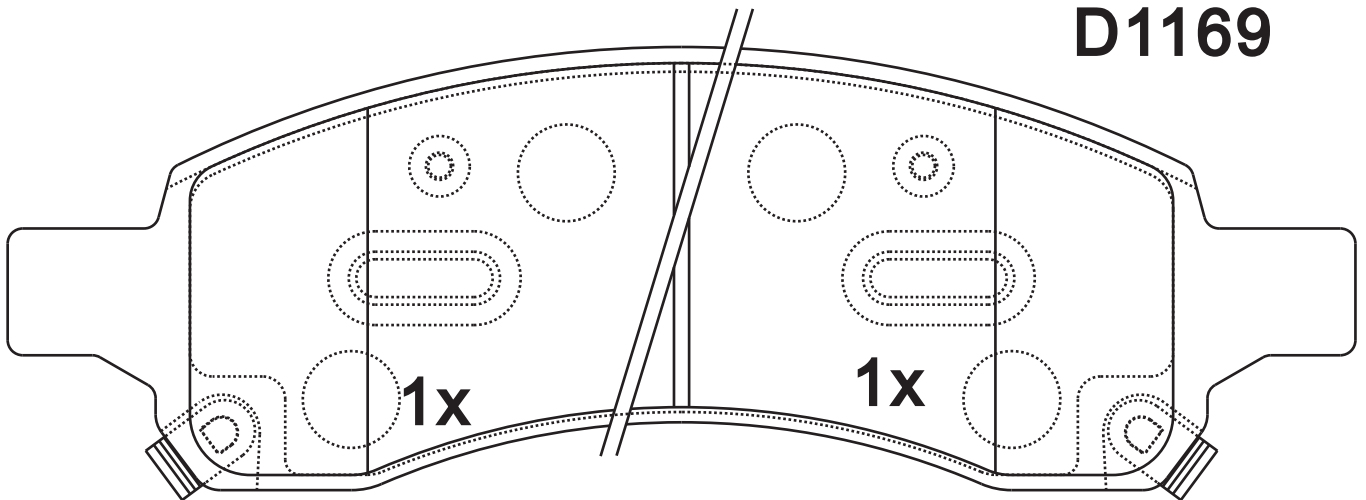
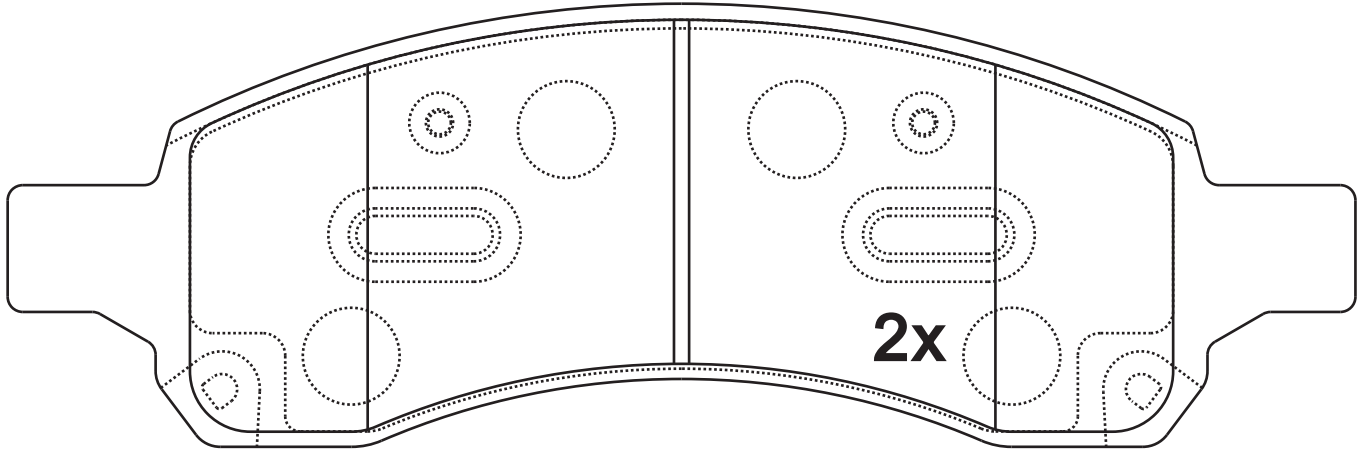
**Thickness
(mm)**

17.8



NOTE

4 identical, 1 with acoustic indicator (left), 1 with acoustic indicator (right).



Apply for:

Buick Enclave

Saloon

2008-2014

SR0525.01

**Dimension
(mm)**

123x59
123x57.9

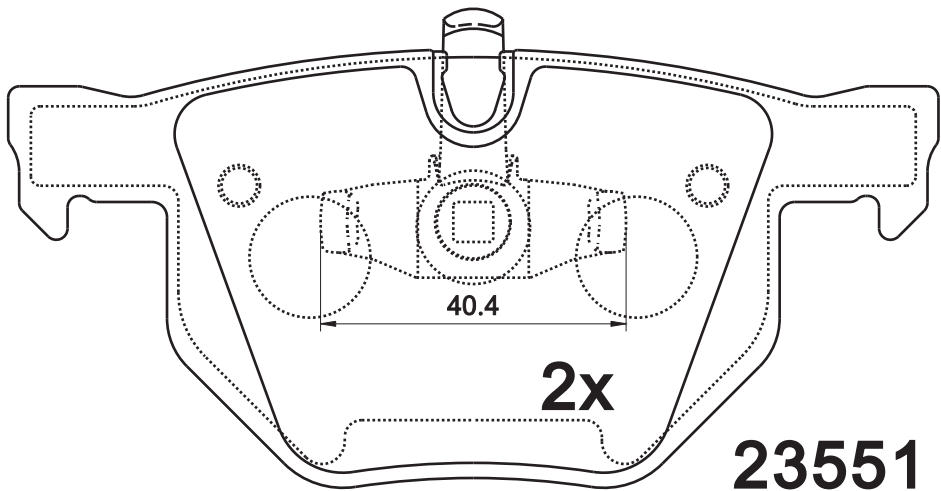
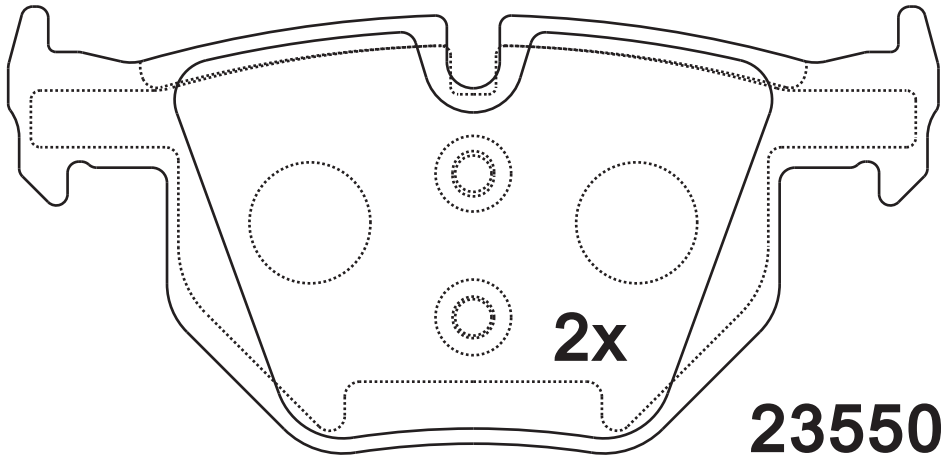
**Thickness
(mm)**

17.3



NOTE

**2 identical; 2 identical
with spring.**



Apply for:

BMW 3	Saloon	01.05-12.11
BMW 3	Estate	09.05-
BMW 3	Coupe	09.06-
BMW 3	Convertible	03.07-
BMW X1	Estate	10.09-

SR0526.01

**Dimension
(mm)**

146.5×64

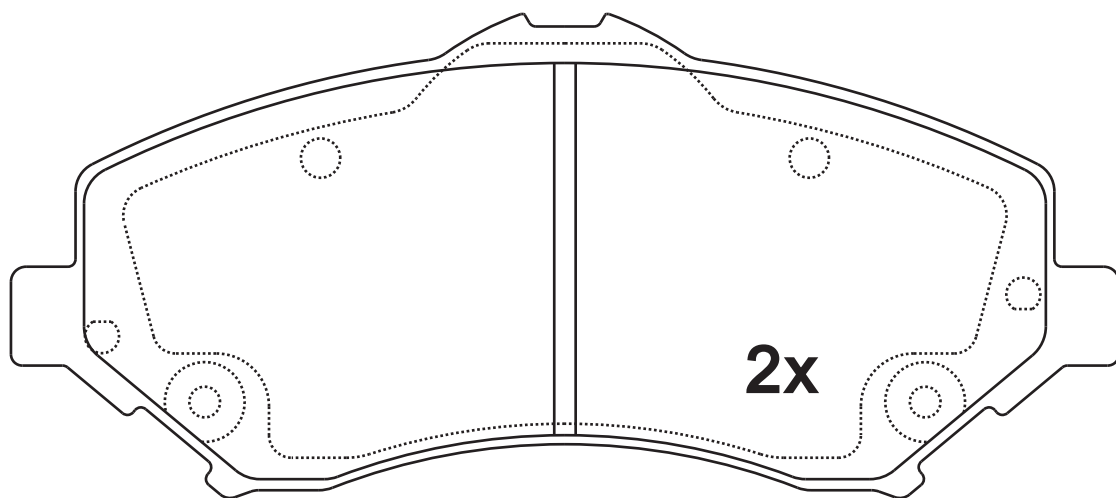
**Thickness
(mm)**

17.6

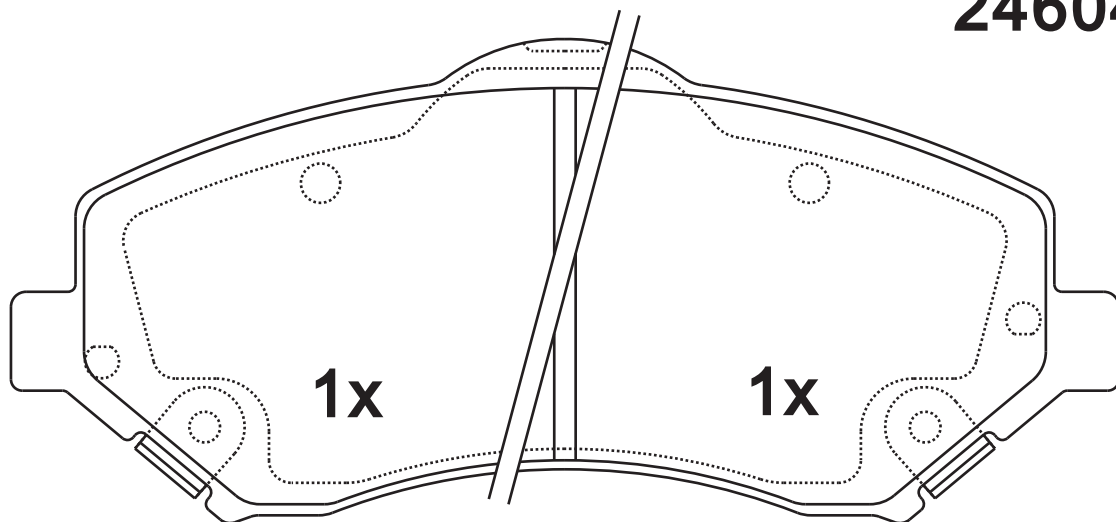


NOTE

4 identical, 1 with acoustic indicator (left), 1 with acoustic indicator (right).



24604



Apply for:

Chrysler Grand Voyager V	MPV	02.11-
Dodge Journey	MPV	06.08-
Dodge Nitro	Closed off-Road	09.06-
Fiat Freemont	Estate	08.11-
Jeep Cherokee	Closed off-Road	08.03-
Jeep Compass	Closed off-Road	08.06-
Jeep Wrangler II	Closed off-Road	02.06-12.08
Jeep Wrangler III	Closed off-Road	04.07-

SR0526

**Dimension
(mm)**

**Thickness
(mm)**



NOTE

**附件包
Accessory bag**



K0328 K0329

FJB0531.01

SR0527.01

**Dimension
(mm)**

116.6×45.4

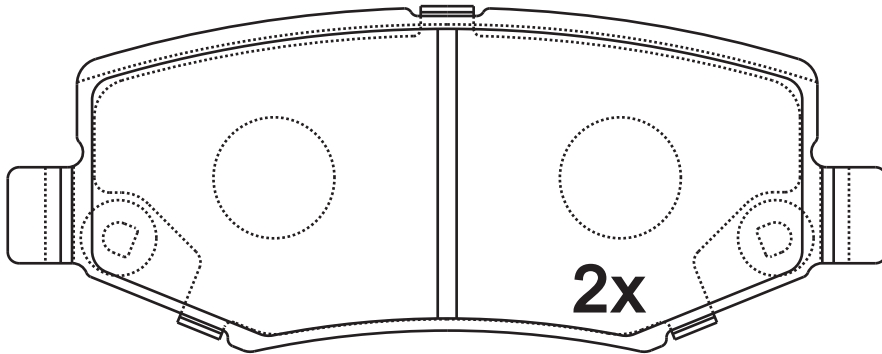
**Thickness
(mm)**

16.7

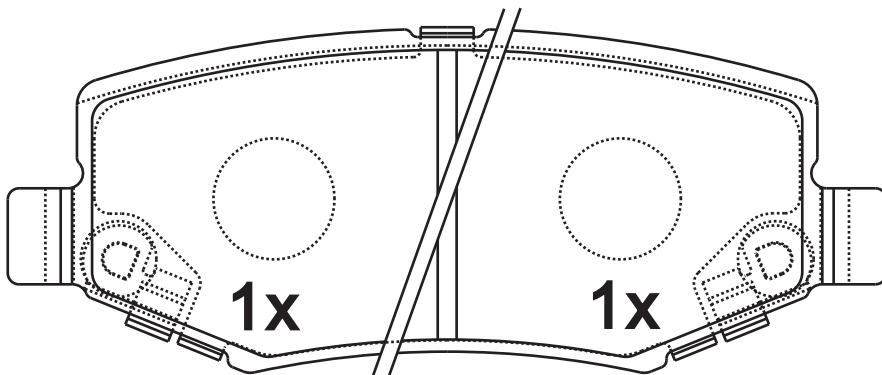


NOTE

4 identical, 1 with acoustic indicator (left), 1 with acoustic indicator (right).



24603



24602

Apply for:

Dodge Journey
Jeep Cherokee
Jeep Wrangler II
Jeep Wrangler III

MPV
Closed off-Road
Closed off-Road
Closed off-Road

06.08-
05.08-
02.06-12.08
04.07-

SR0527.02

**Dimension
(mm)**

116.6×45.4

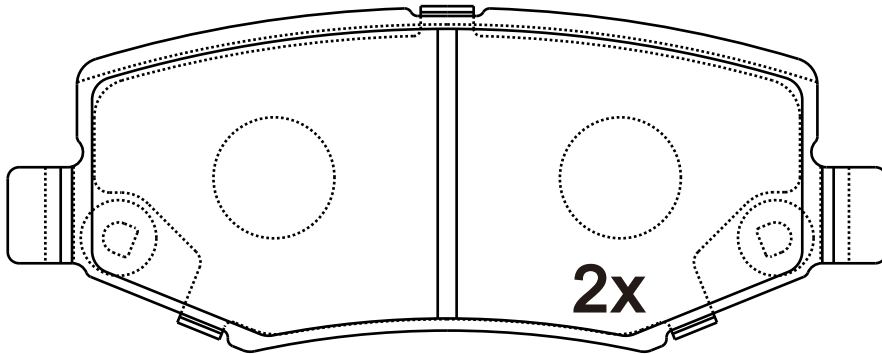
**Thickness
(mm)**

16.5

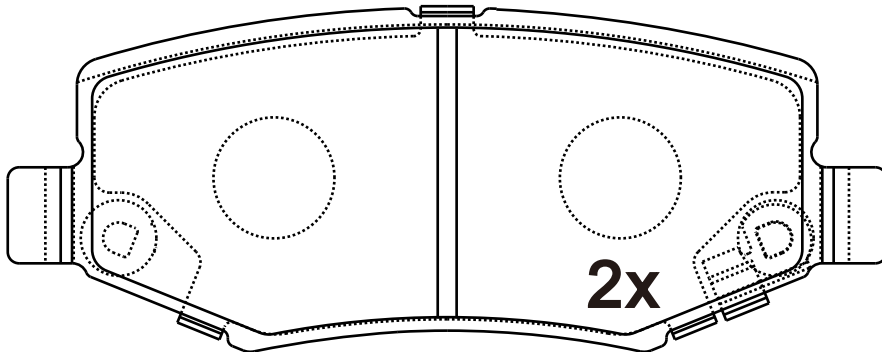


NOTE

**4 identical, 2 with
acoustic indicator(left),**



24603



24602

Apply for:

Dodge Journey
Jeep Cherokee
Jeep Wrangler II
Jeep Wrangler III

MPV
Closed off-Road
Closed off-Road
Closed off-Road

06.08-
05.08-
02.06-12.08
04.07-

SR0527

**Dimension
(mm)**

**Thickness
(mm)**



NOTE

**附件包
Accessory bag**



K0328 K0329

FJB0531.01

SR0528.01

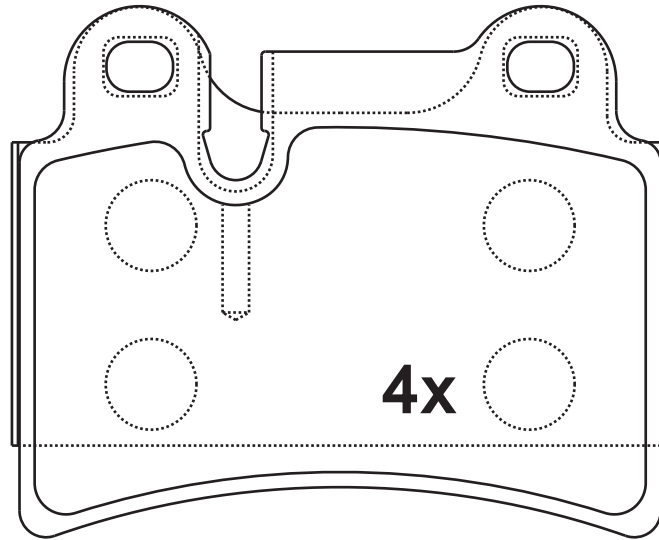
**Dimension
(mm)**

**Thickness
(mm)**



NOTE

4 identical;



24097

Apply for:

Volkswagan Touareg

Closed off-Road

12.02-11.06

SR0529.01

**Dimension
(mm)**

175.8×68.2

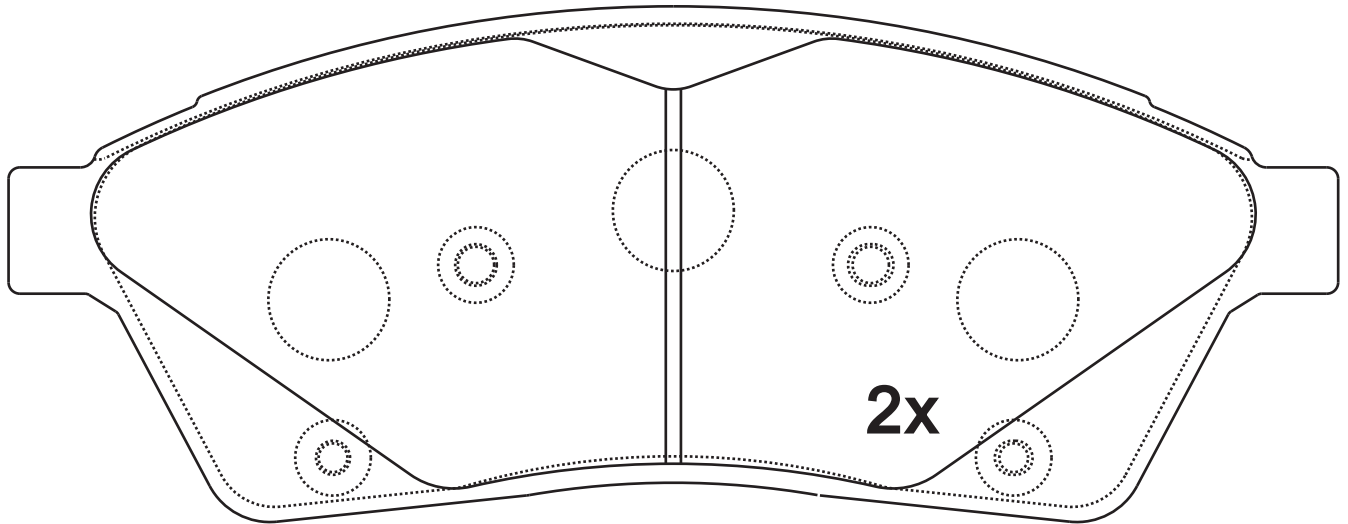
**Thickness
(mm)**

16.5

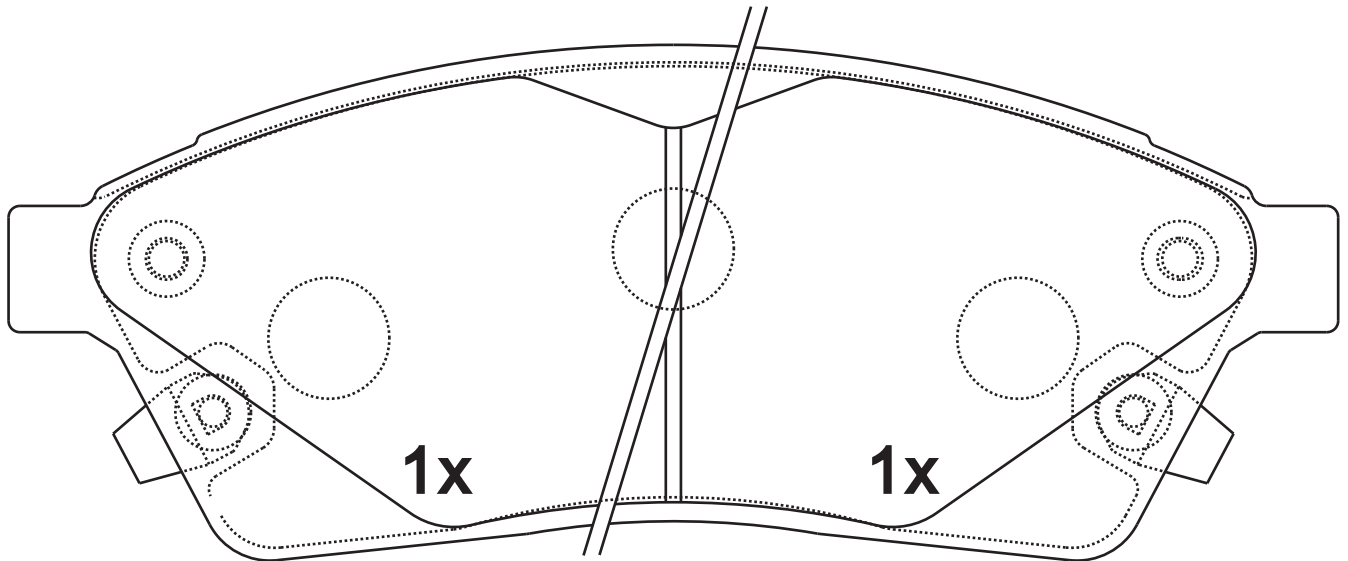


NOTE

4 identical, 1 with
acoustic indicator (left),
1 with acoustic indicator
(right)



24752



24751

24750

Apply for:

Cadillac SRX Closed off-Road

01/09-

SR0530.01

**Dimension
(mm)**

**Thickness
(mm)**

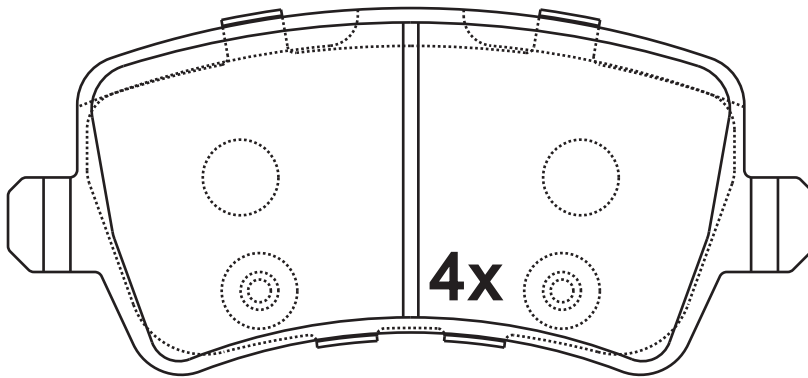


NOTE

4 identical;

106.5×48.5



17.3



24496

Apply for:

Land Rover Range Rover Evoque	Closed off-Road	06.11-
Volvo S60 II	Saloon	04.10-
Volvo S80 II	Saloon	03.06-
Volvo V60	Estate	09.10-

SR0530.02	Dimension (mm)	Thickness (mm)		NOTE
	106.5×48.5	17.3		4 identical;



取消 SR0530. 02=SR0530. 01+FJB0025. 01

Apply for:

Land Rover Range Rover Evoque	Closed off-Road	06.11-
Volvo S60 II	Saloon	04.10-
Volvo S80 II	Saloon	03.06-
Volvo V60	Estate	09.10-

SR0530

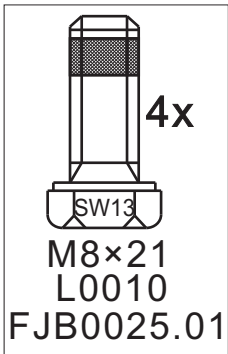
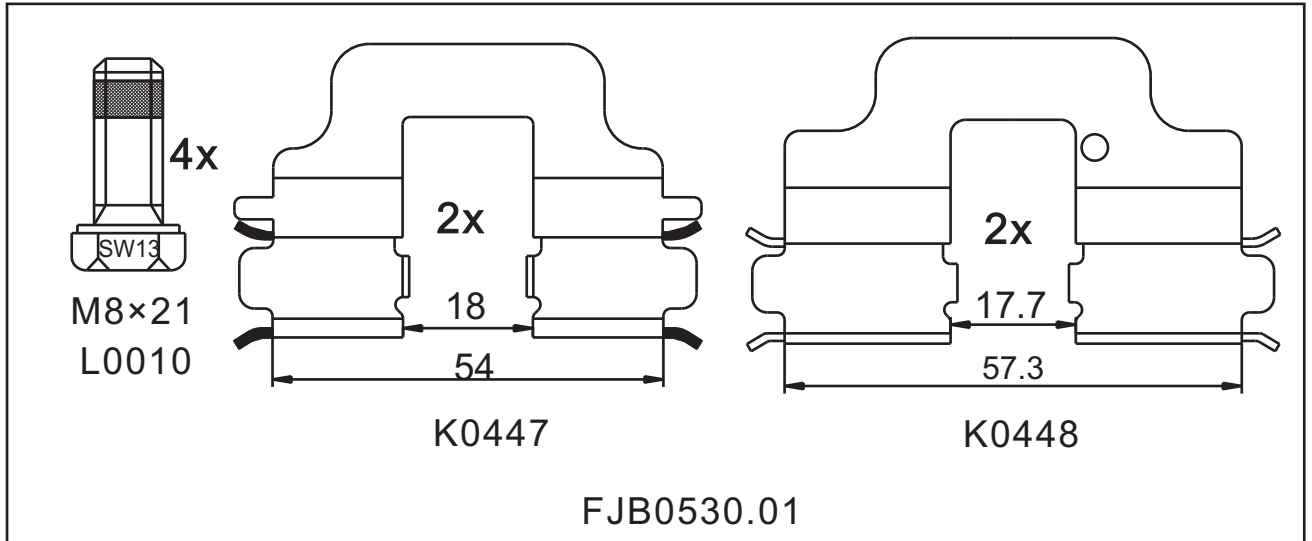
**Dimension
(mm)**

**Thickness
(mm)**



NOTE

**附件包
Accessory bag**



SR0531.01

**Dimension
(mm)**

116.5×52.6

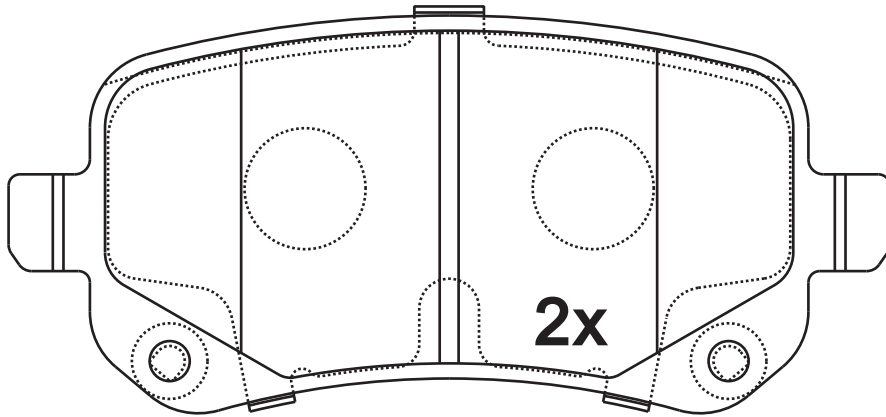
**Thickness
(mm)**

16.5

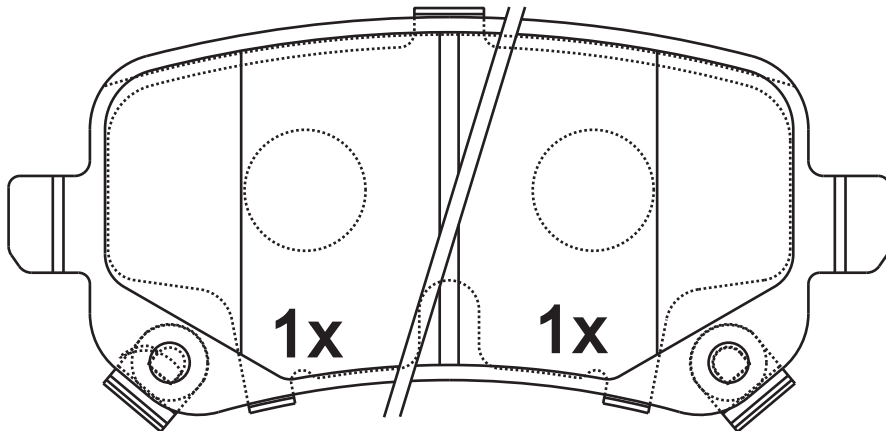


NOTE

4 identical, 1 with acoustic indicator(left), 1 with acoustic indicator(right).



24822



24823

24824

Apply for:

Chrysler Grand Voyager V
Dodge Journey
Fiat Freemont

MPV
MPV
Estate

02.11-
06.08-
08.11-

SR0531

**Dimension
(mm)**

**Thickness
(mm)**



NOTE

**附件包
Accessory bag**



K0328 K0329

FJB0531.01

SR0532.01

**Dimension
(mm)**

161.9×69.7

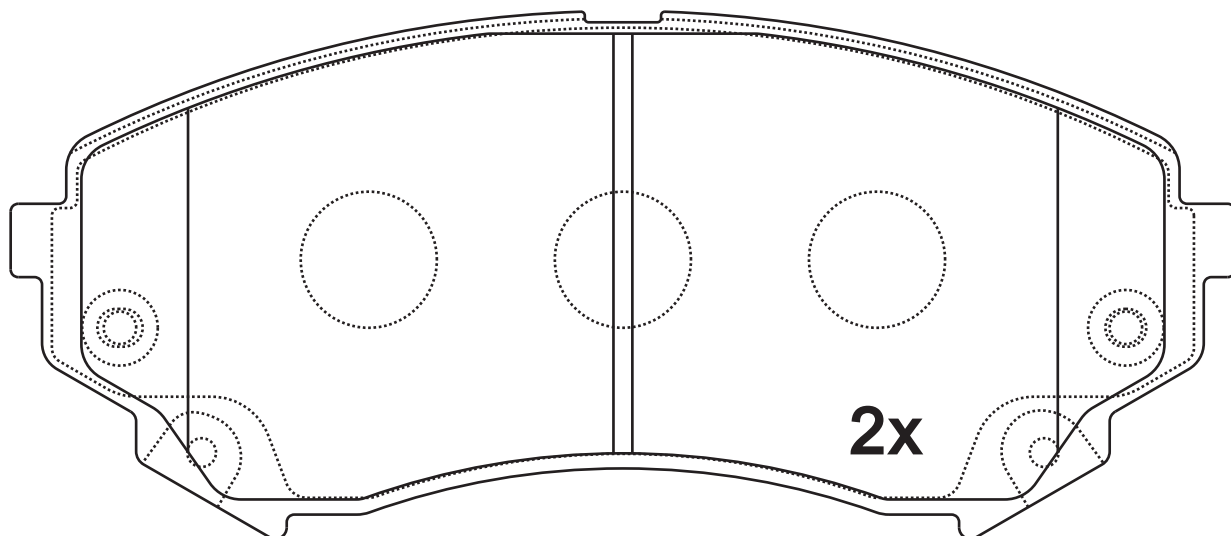
**Thickness
(mm)**

17

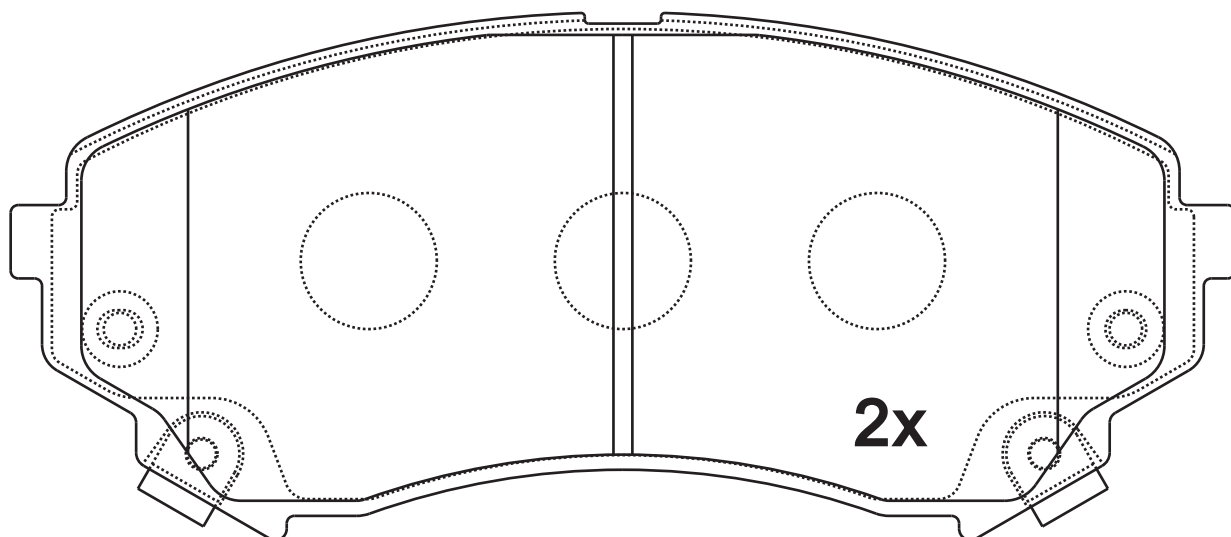


NOTE

4 identical, 1 with acoustic indicator(left), 1 with acoustic indicator(right).



24940



24941

Apply for:

Cadillac CTS
Cadillac CTS

Saloon
Coupe

01.08-
01.08-

SR0533.01

**Dimension
(mm)**

175.6×59.8

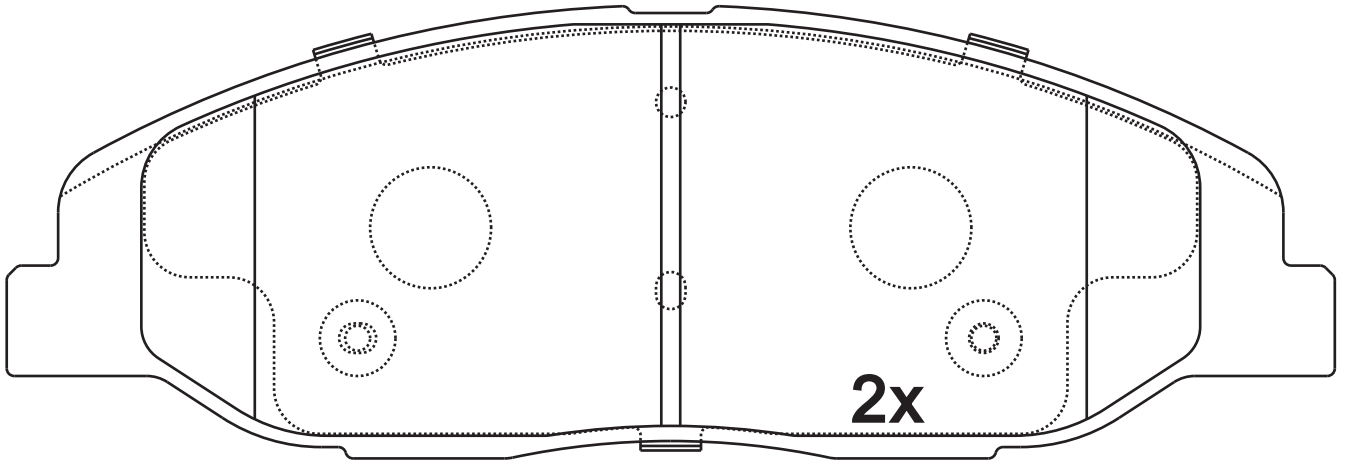
**Thickness
(mm)**

16

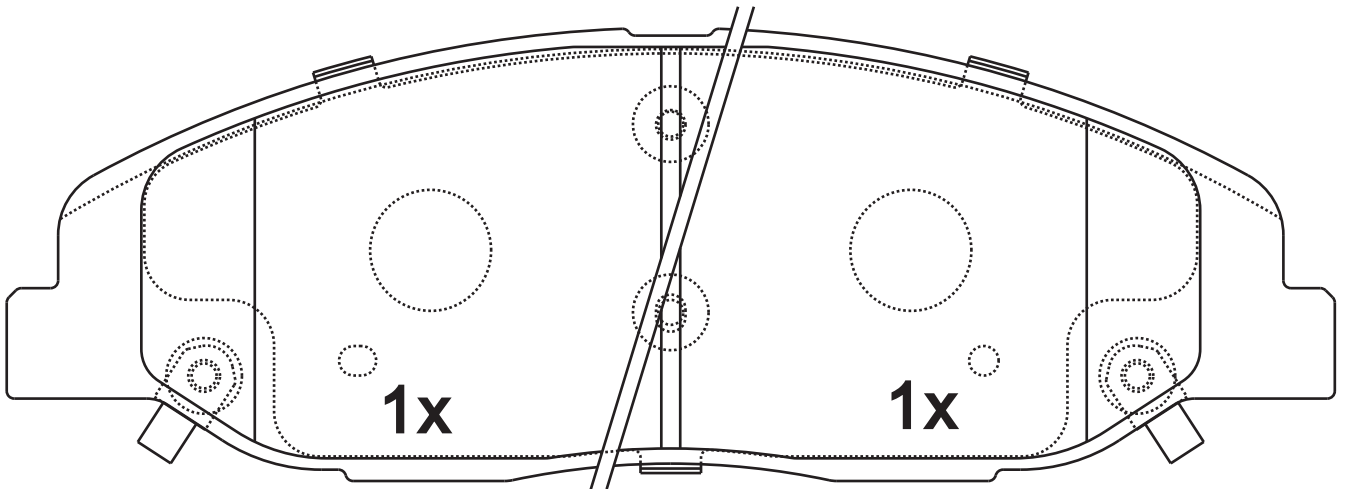


NOTE

4 identical, 1 with acoustic indicator (left), 1 with acoustic indicator (right).



24937



24939

24938

Apply for:

Cadillac CTS
Cadillac CTS
Cadillac STS

Saloon
Coupe
Saloon

01.08-
01.08-
09.07-12.12

SR0534.01

**Dimension
(mm)**

137.6×46

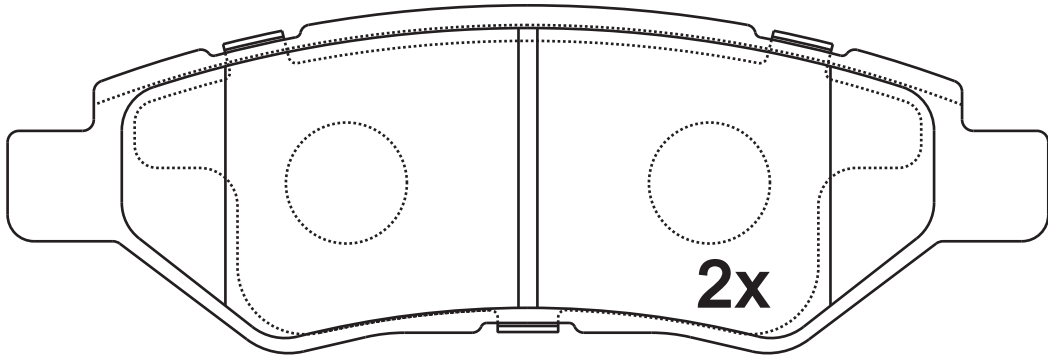
**Thickness
(mm)**

17

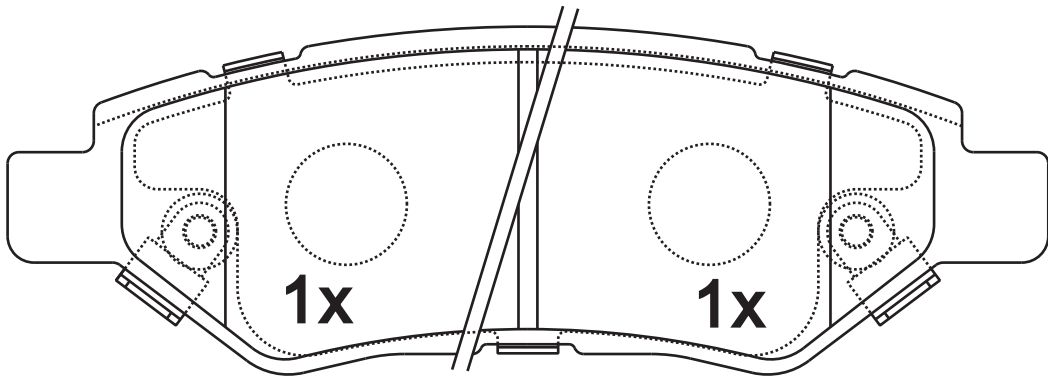


NOTE

4 identical, 1 with
acoustic indicator (left),
1 with acoustic indicator
(right).



24546



24548

24547

Apply for:

Cadillac CTS
Cadillac CTS
Cadillac SRX

Saloon
Coupe
Closed off-Road

01.08-
01.08-
01.09-

SR0535.01

**Dimension
(mm)**

**Thickness
(mm)**

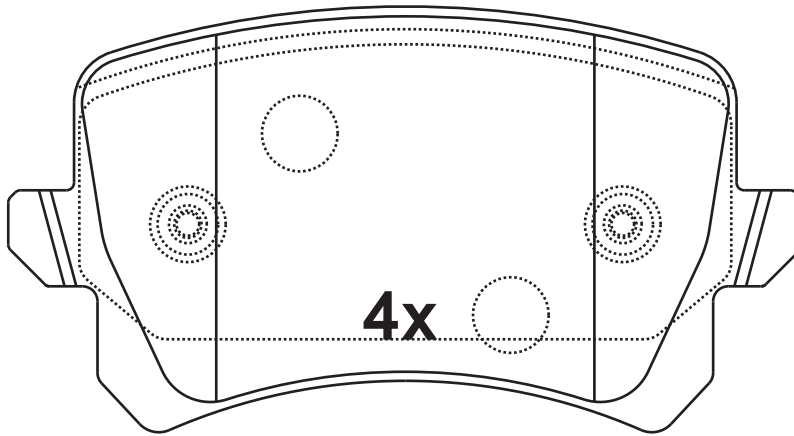


NOTE

4 identical;

105×56.3

17



24483

Apply for:

Audi Q3	Closed off-Road	06.11-
Seat Alhambra	MPV	11.10-
Volkswagan Passat	Saloon	03.05-07.10
Volkswagan Passat	Estate	08.05-10.11
Volkswagan Passat	Coupe	06.08-01.12
Volkswagan Sharan	MPV	05.10-
Volkswagan Tiguan	Closed off-Road	09.07-

SR0535.02

**Dimension
(mm)**

105.5×56.4

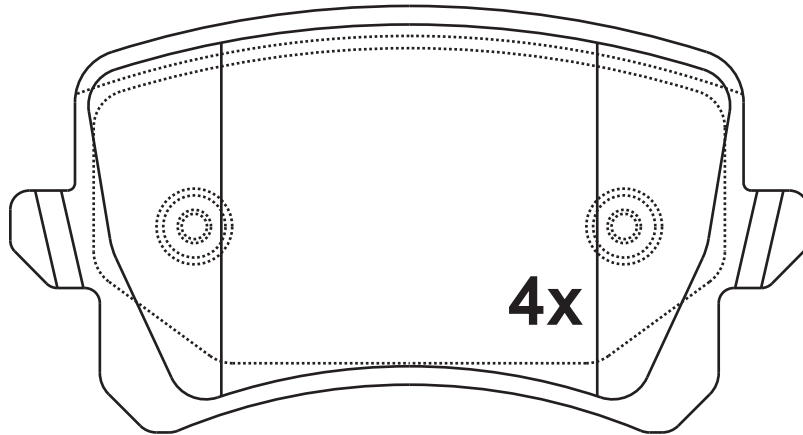
**Thickness
(mm)**

17

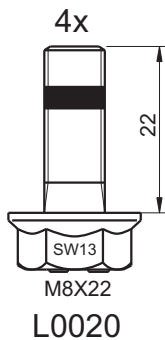


NOTE

4 identical;



24483



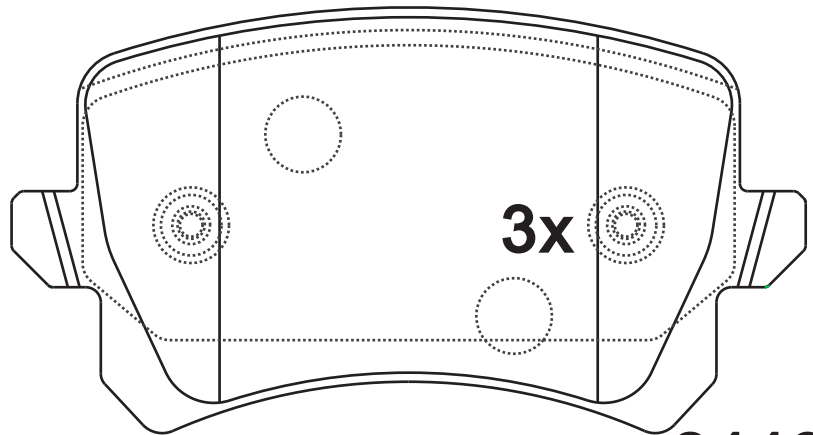
Apply for:

Audi Q3	Closed off-Road	06.11-
Seat Alhambra	MPV	11.10-
Volkswagan Passat	Saloon	03.05-07.10
Volkswagan Passat	Estate	08.05-10.11
Volkswagan Passat	Coupe	06.08-01.12
Volkswagan Sharan	MPV	05.10-
Volkswagan Tiguan	Closed off-Road	09.07-

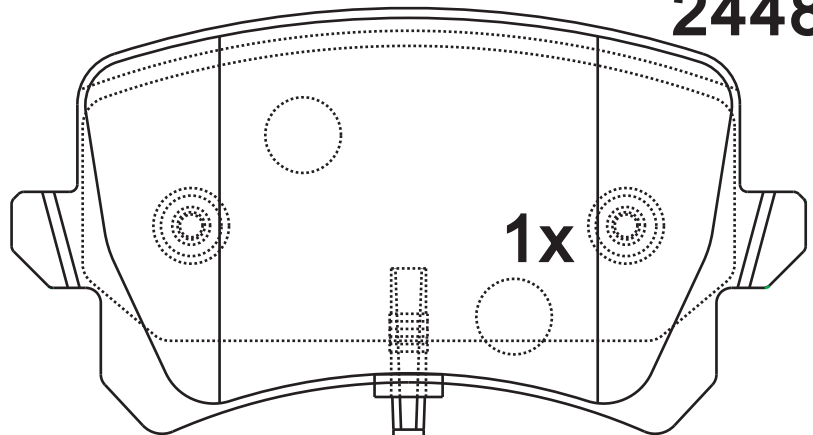
SR0535.03

Dimension (mm)	Thickness (mm)	
105.5×56.4	17.2	

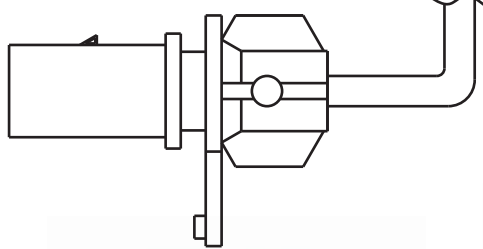
NOTE
2 identical; 2 identical with warn indicator.



24483



22186



M8 x 22



Apply for:

Audi Q3	Closed off-Road	06.11-
Seat Alhambra	MPV	11.10-
Volkswagan Passat	Saloon	03.05-07.10
Volkswagan Passat	Estate	08.05-10.11
Volkswagan Passat	Coupe	06.08-01.12
Volkswagan Sharan	MPV	05.10-
Volkswagan Tiguan	Closed off-Road	09.07-

SR0535.04

**Dimension
(mm)**

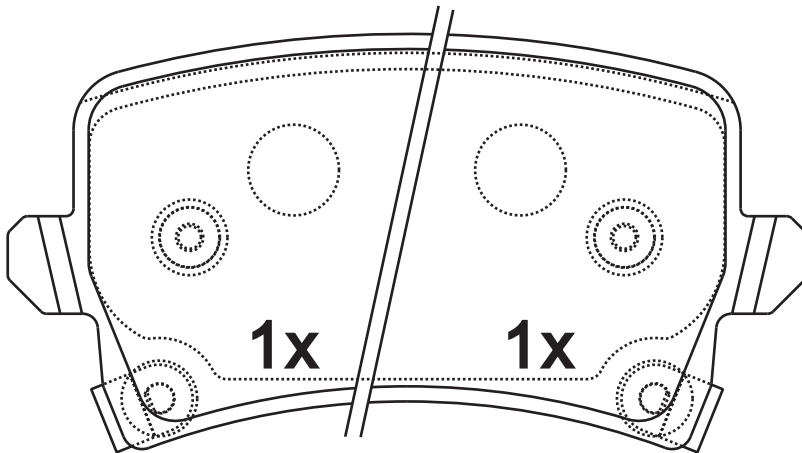
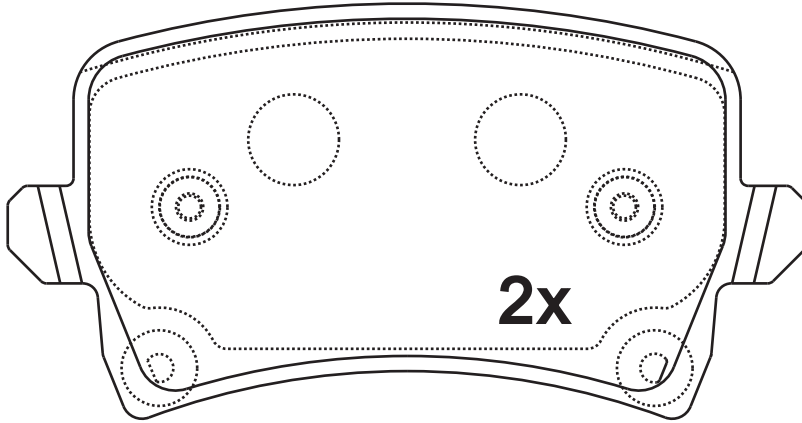
105.5×55.1

**Thickness
(mm)**

17



NOTE



**QY12995
FDB4839-D**

Apply for:
广汽GA6 2015

SR0535

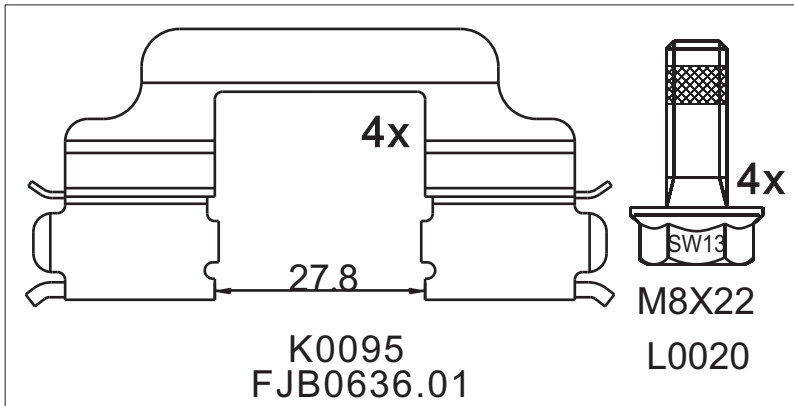
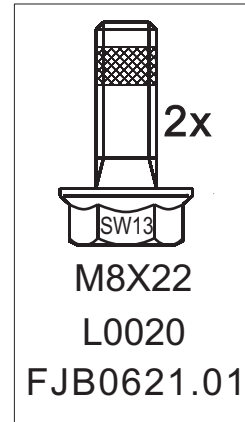
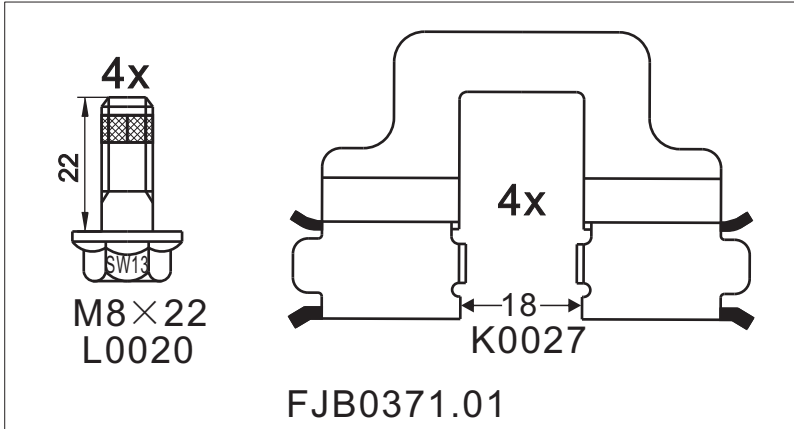
**Dimension
(mm)**

**Thickness
(mm)**



NOTE

附件包
Accessory bag



SR0536.01

**Dimension
(mm)**

156.1×72.1
154.8×66.9

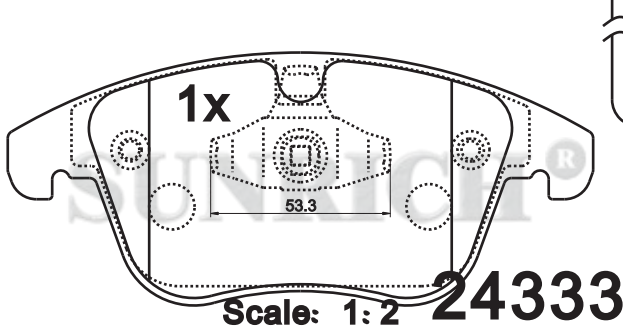
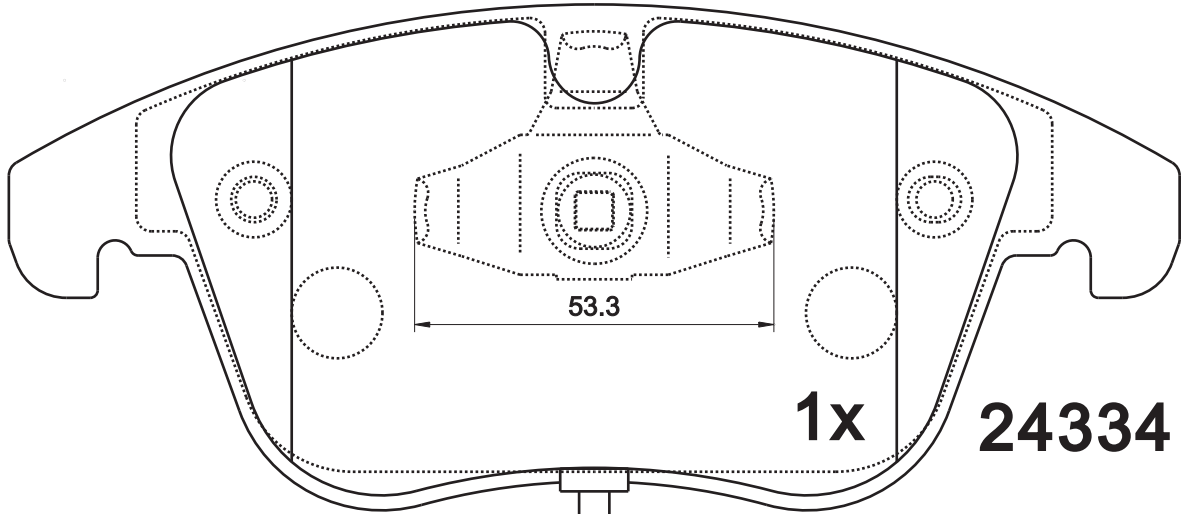
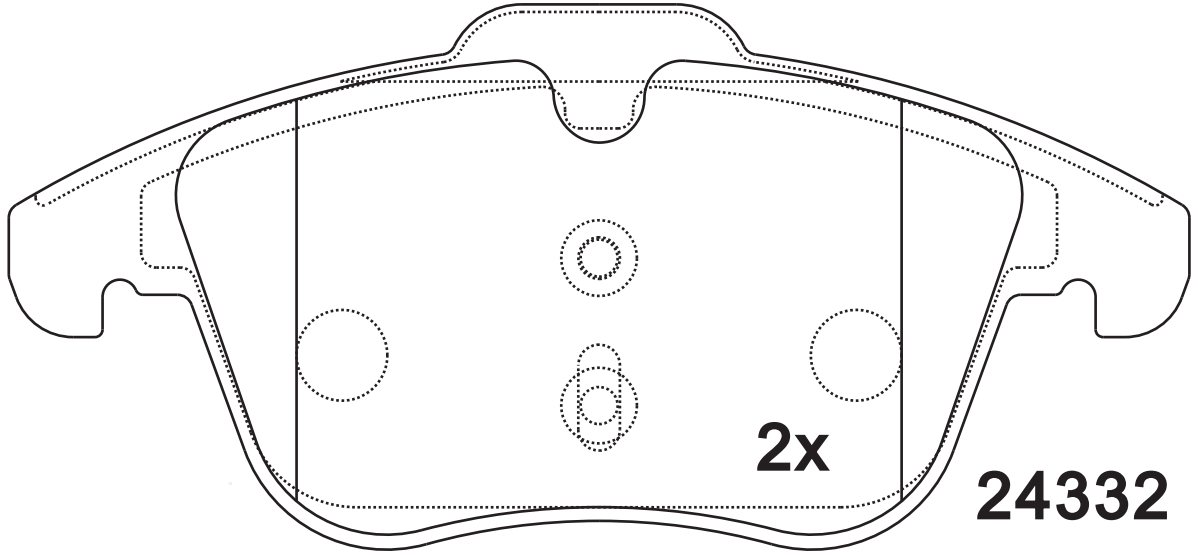
**Thickness
(mm)**

20.6

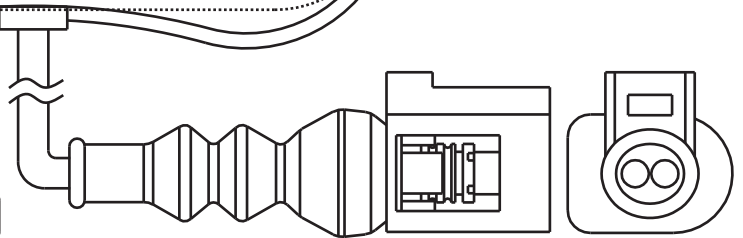


NOTE

2 identical; 2 identical with spring, 1 with warn indicator.



Scale: 1:2



Apply for:

Audi Q3	Closed off-Road	06.11-
Seat Alhambra	MPV	11.10-
Volkswagan Sharan	MPV	02.10-
Volkswagan Tiguan	Closed off-Road	09.07-

SR0536.02

**Dimension
(mm)**

156.1×72.1
154.8×66.9

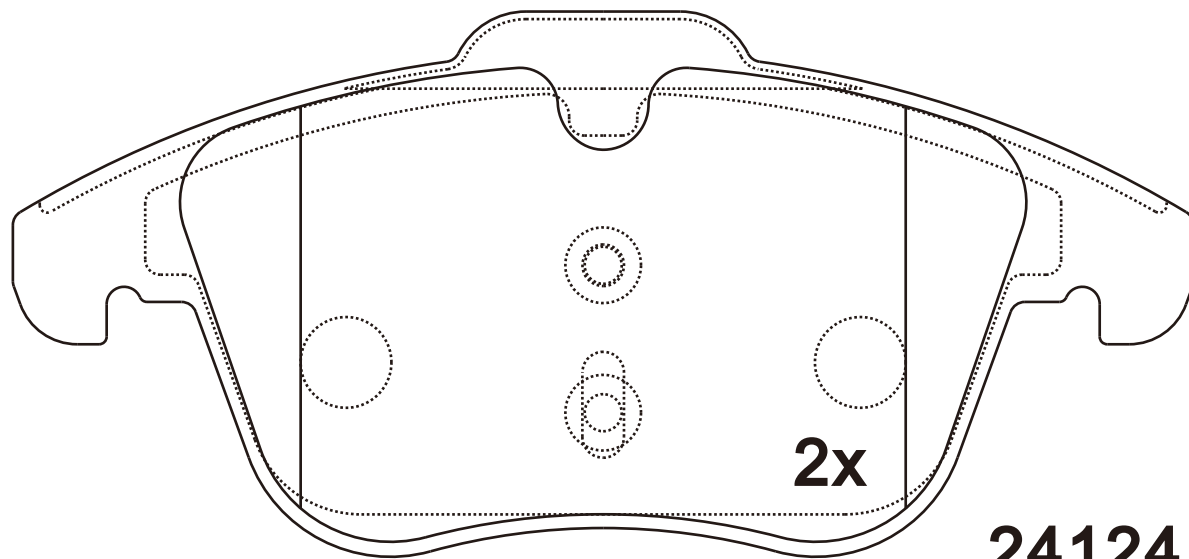
**Thickness
(mm)**

19

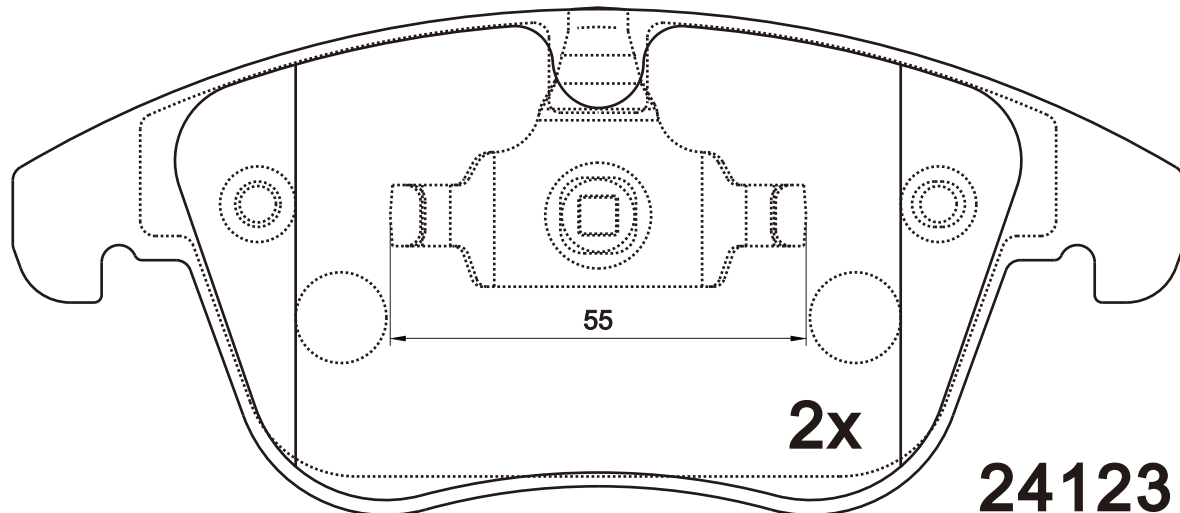


NOTE

**2 identical; 2 identical
with spring.**



24124



24123

Apply for:

Citroen C4 Grand Picasso I (Ua_)
Peugeot 5008

2006/10-2013/12
2009/06-

SR0536.03

**Dimension
(mm)**

156.1×72.1
154.8×66.9

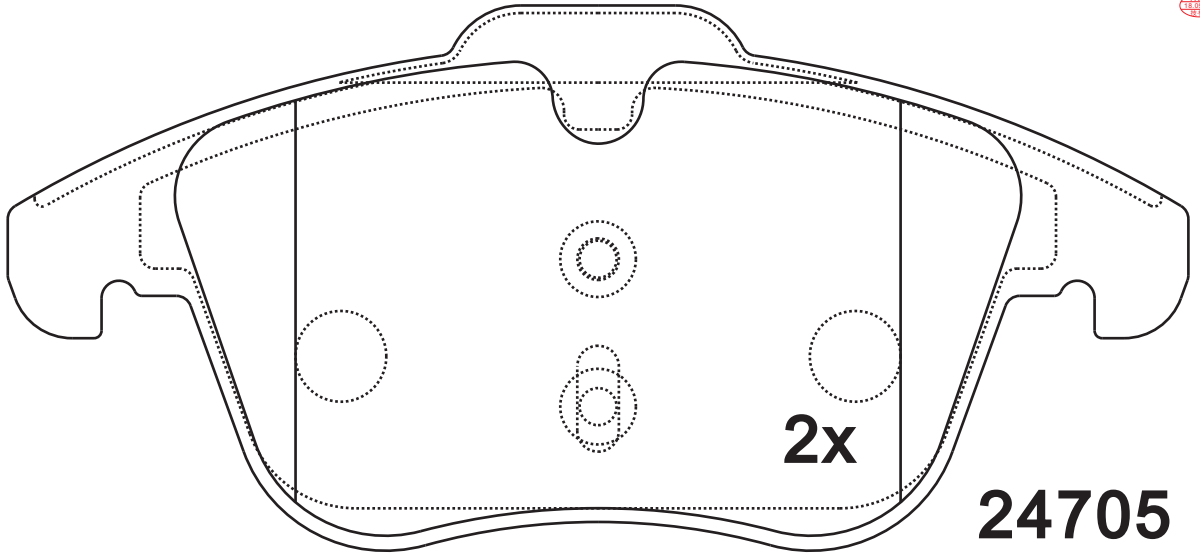
**Thickness
(mm)**

20.6

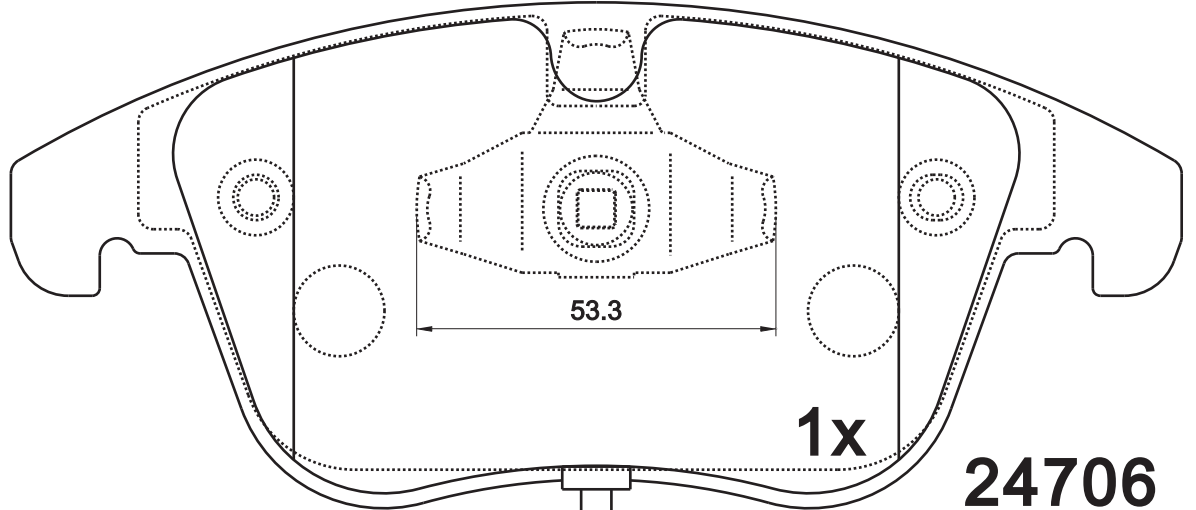


NOTE

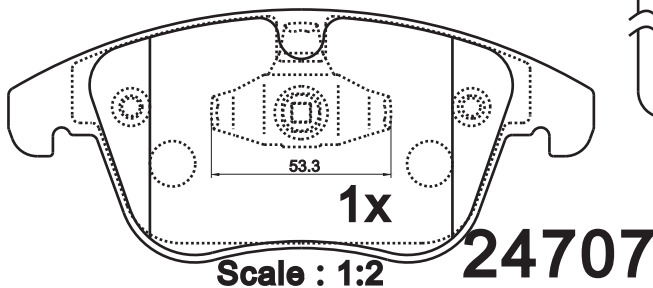
2 identical; 2 identical with spring, 1 with warn indicator.



24705

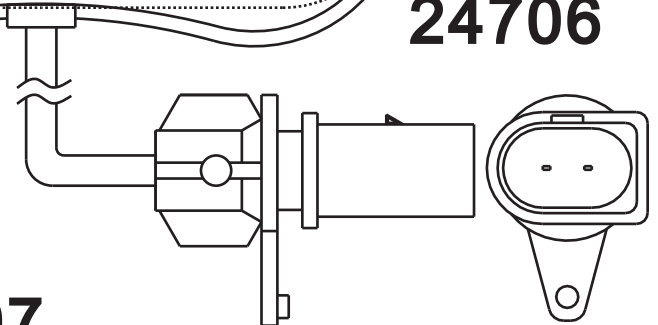


24706



Scale : 1:2

24707



X0014F 总长300mm

Apply for:

Audi A4
Audi A4 Avant
Audi (Faw) A4L Saloon

2007/08-2015/12
2007/11-2015/12
2007/12-

SR0536.04

**Dimension
(mm)**

156.1×72.1
154.8×66.9

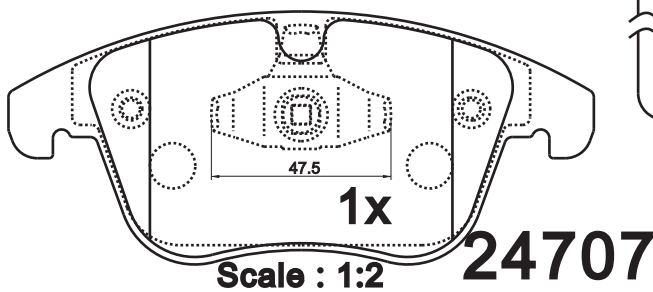
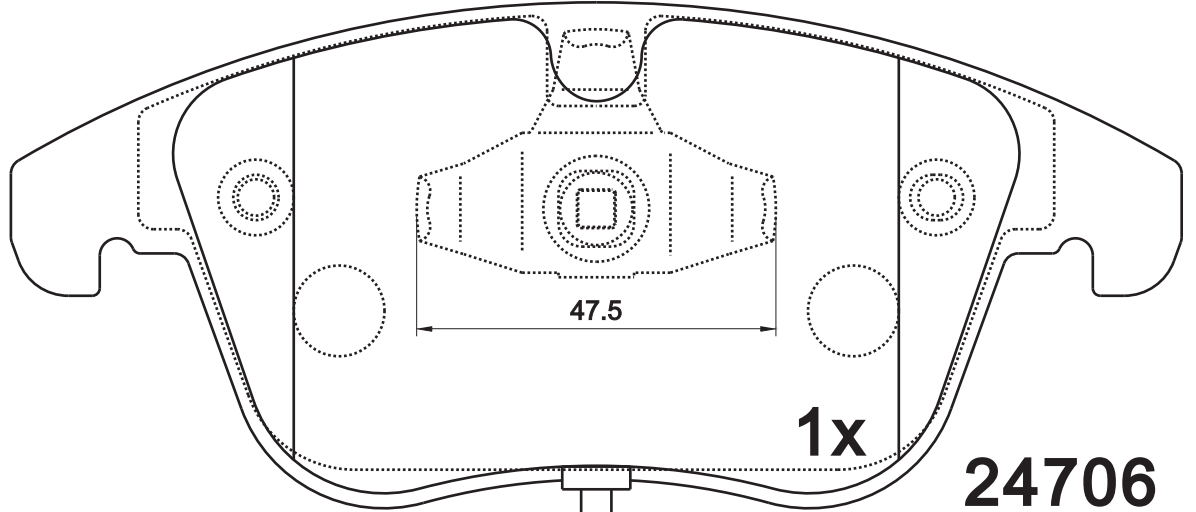
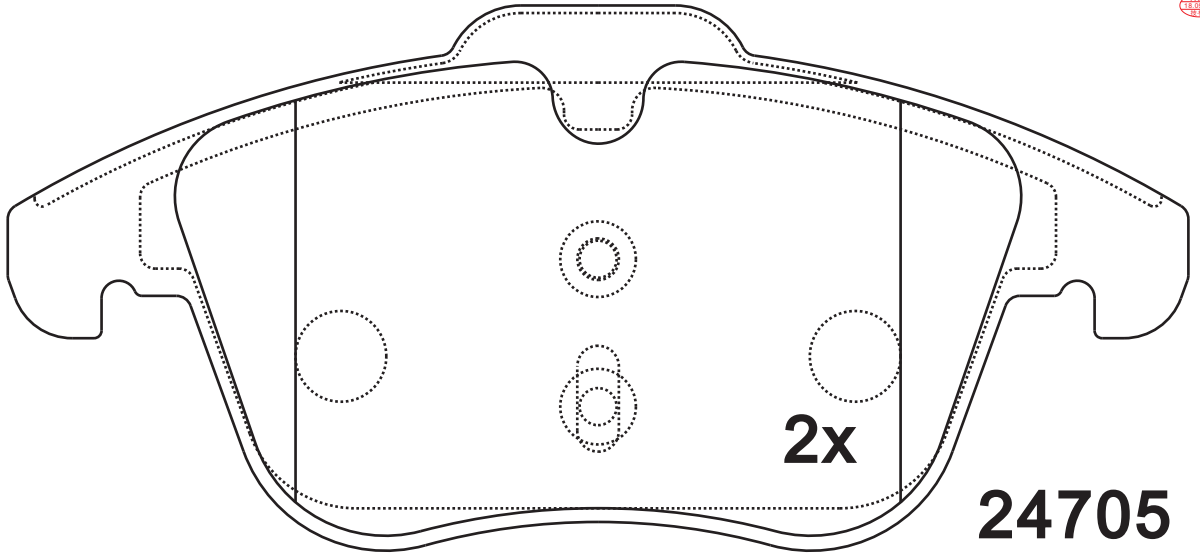
**Thickness
(mm)**

20.6

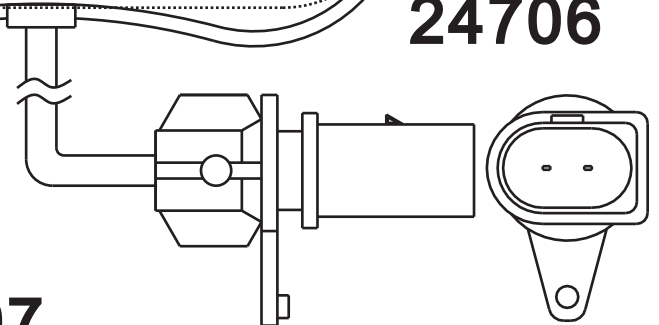


NOTE

2 identical; 2 identical with spring, 1 with warn indicator.



Scale : 1:2



Apply for:

- Audi A4
- Audi A5 (8T3)
- Audi A5 Convertible (8F7)

- 2007/08-2015/12
- 2007/06-2017/01
- 2009/02-2017/01-

SR0536.05

**Dimension
(mm)**

156.1×72.1
154.8×66.9

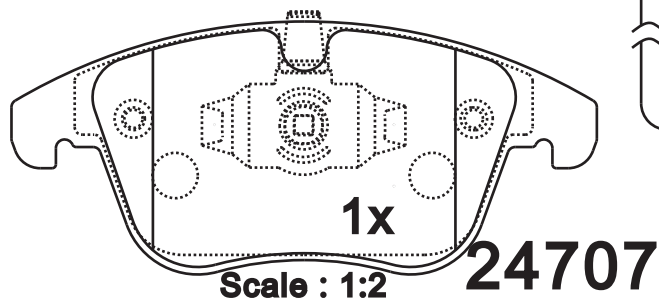
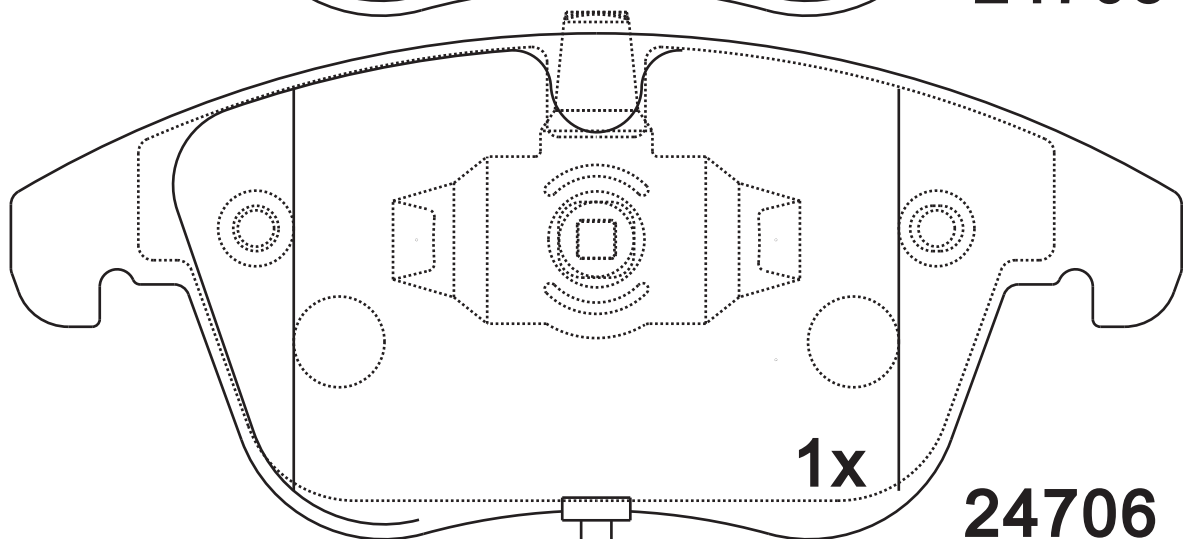
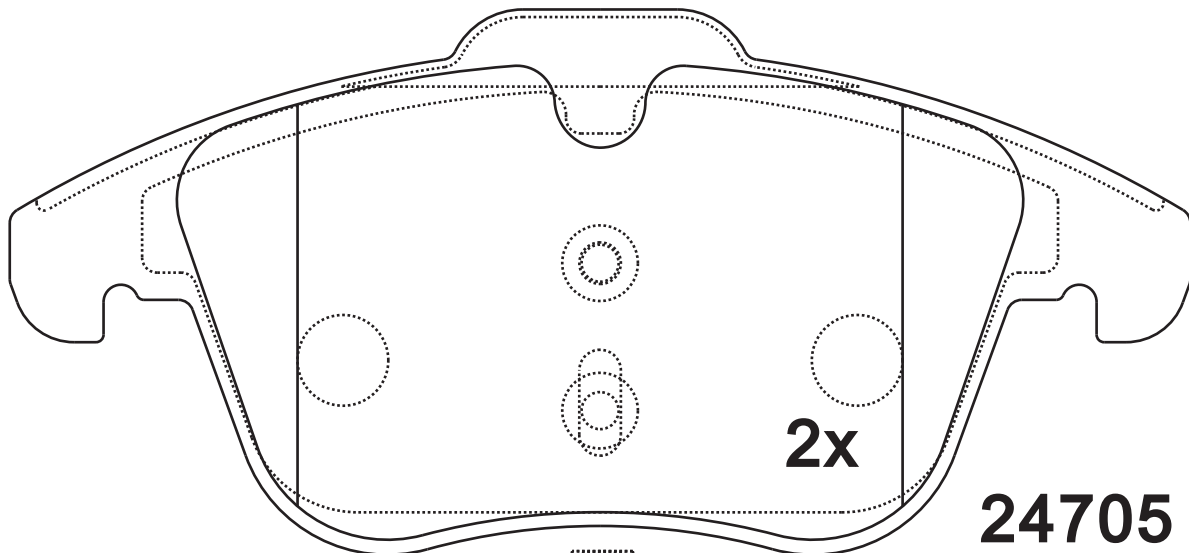
**Thickness
(mm)**

20.6

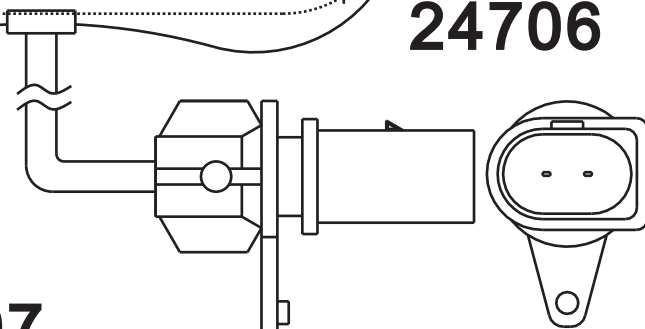


NOTE

2 identical; 2 identical with spring, 1 with warn indicator.



Scale : 1:2



X0014F 总长300mm

Apply for:

- Audi A5 (8T3)
- Audi A5 Convertible (8F7)
- Audi (Faw) A4L Saloon
- Audi (Faw) A4L Saloon

- 2007/06-2017/01
- 2009/02-2017/01
- 2007/12-
- 2007/12-

SR0536.06

**Dimension
(mm)**

155.5×71.6
155.4×66.6

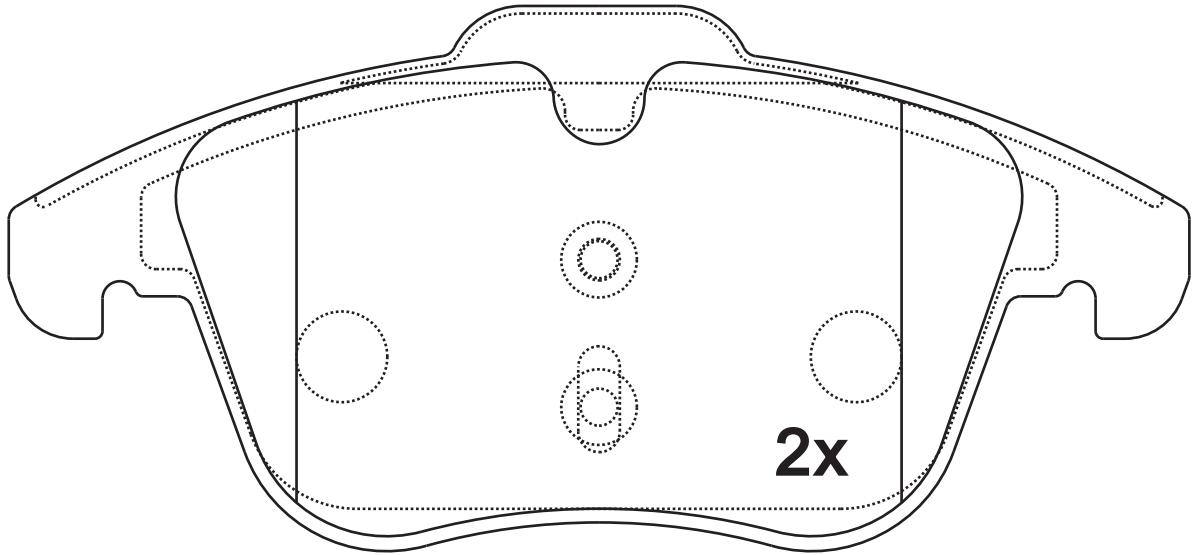
**Thickness
(mm)**

18.8
20.1

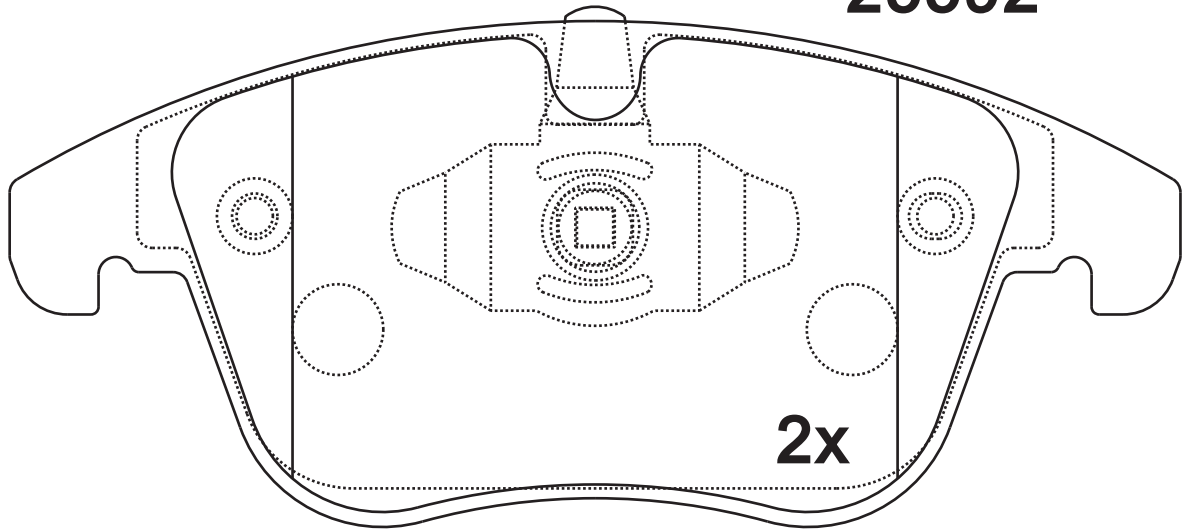


NOTE

**2 identical; 2 identical
with spring.**



25592



25593

Apply for:

福特	MONDEO V Hatchback (CE) 2.0 EcoBoost	2014-
福特	MONDEO V Hatchback (CE) 2.0 TDCi 4x4	2015-
福特	MONDEO V Saloon (CD) 2.0 EcoBoost	2015-
福特	MONDEO V Hatchback (CE) 2.0 TDCi	2014-

SR0536.07

**Dimension
(mm)**

156.1×72.1
154.8×66.9

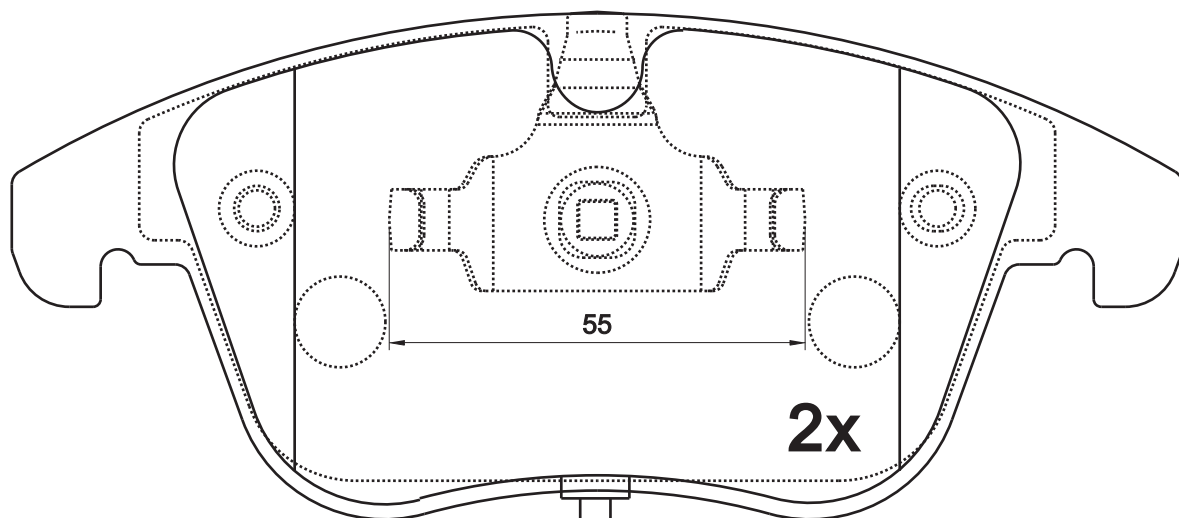
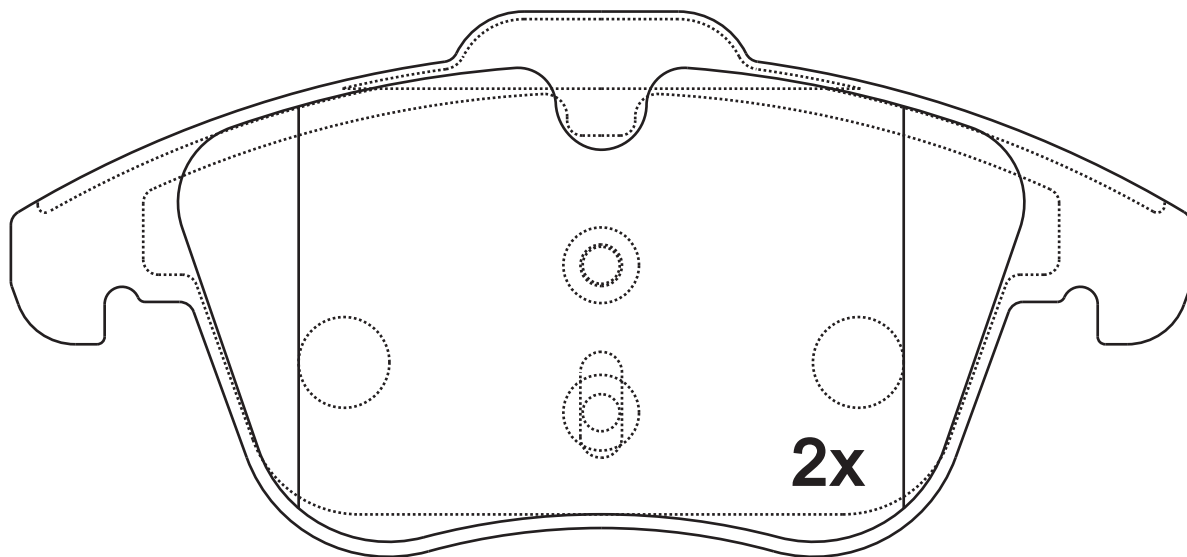
**Thickness
(mm)**

20.3

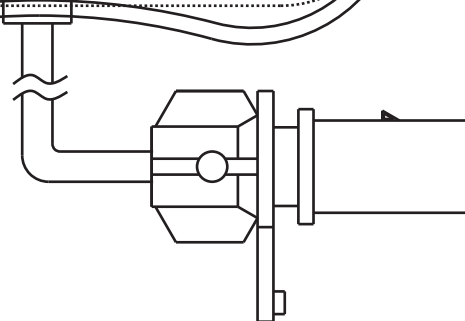


NOTE

2 identical; 2 identical with spring, 2 with warn indicator.



GDB8042



X0014F 总长300mm

Apply for:

HONGQI H7 1.8 T	2014-
HONGQI H7 2.0 T	2013-
HONGQI H7 2.5	2013-
HONGQI H7 3.0	2013-

SR0536.08

**Dimension
(mm)**

156.1×72.1
155.1×66.9

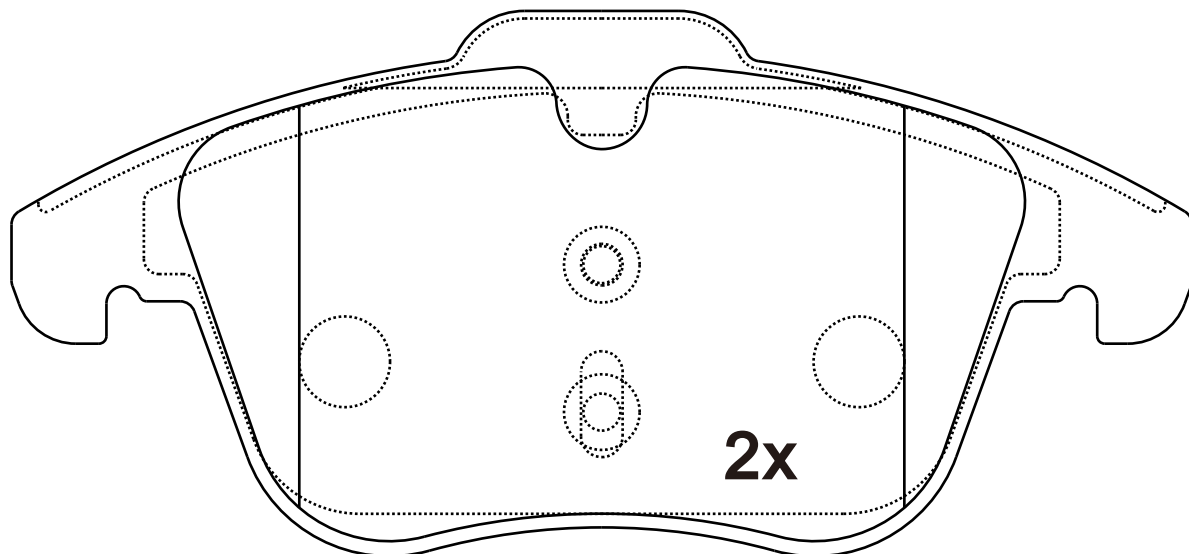
**Thickness
(mm)**

19

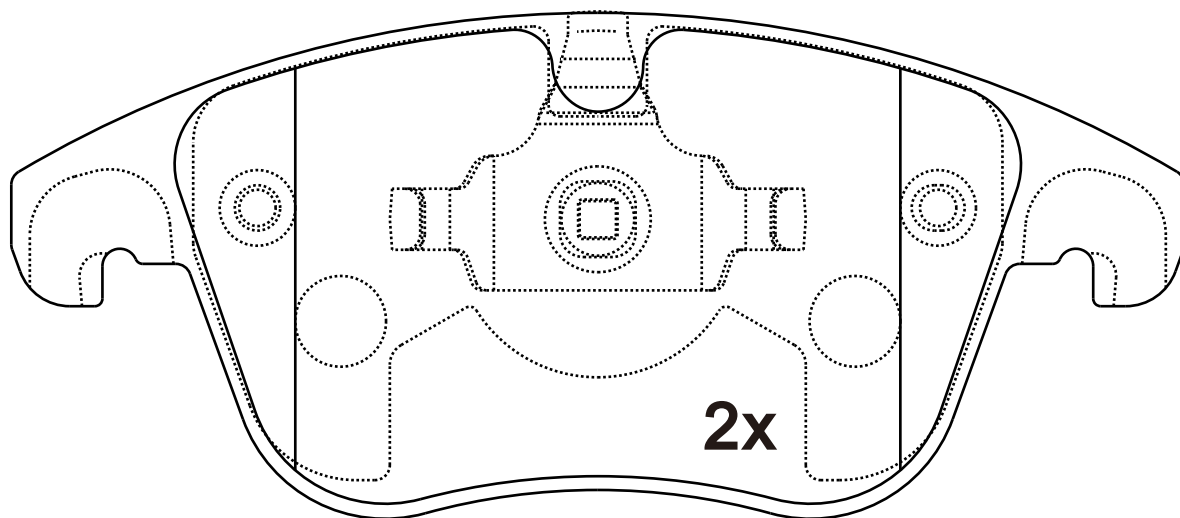


NOTE

**2 identical; 2 identical
with spring.**



24557



24558

Apply for:

Citroen C4 Grand Picasso I (Ua_)
Peugeot 5008

2006/10-2013/12
2009/06-

SR0536

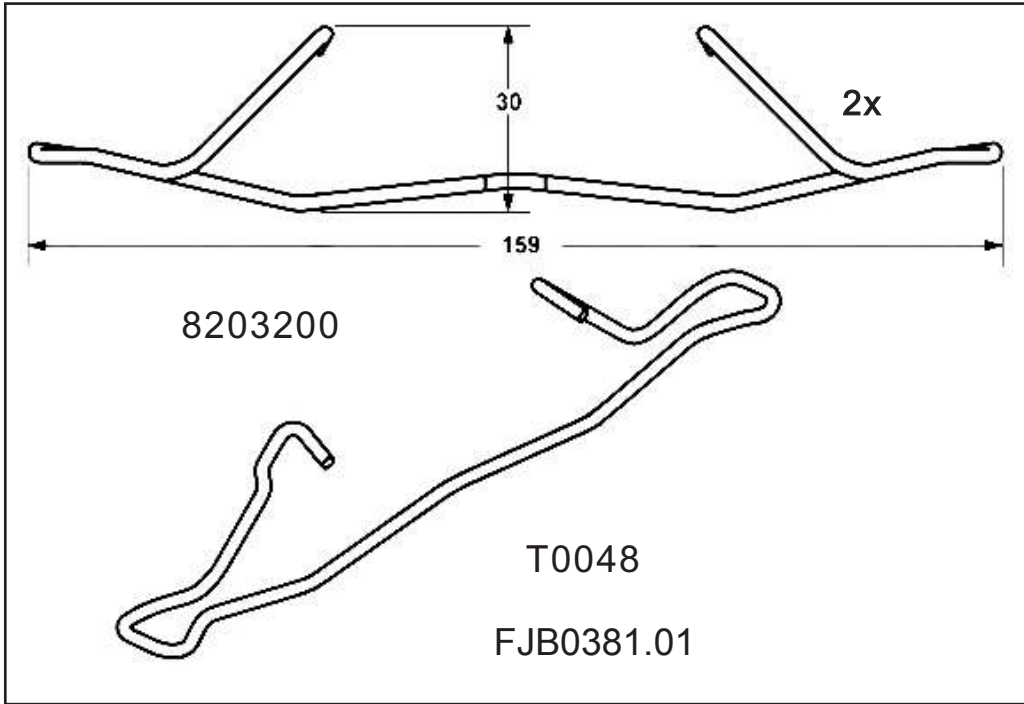
**Dimension
(mm)**

**Thickness
(mm)**



NOTE

**附件包
Accessory bag**



SR0537.01

**Dimension
(mm)**

165.1×68
165.1×63.7

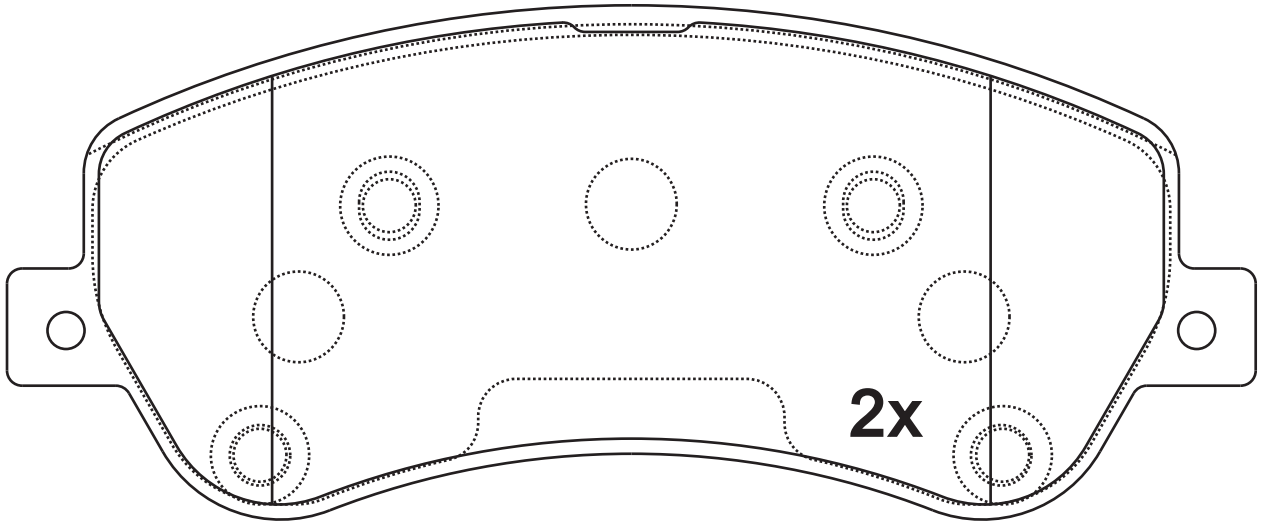
**Thickness
(mm)**

20.7

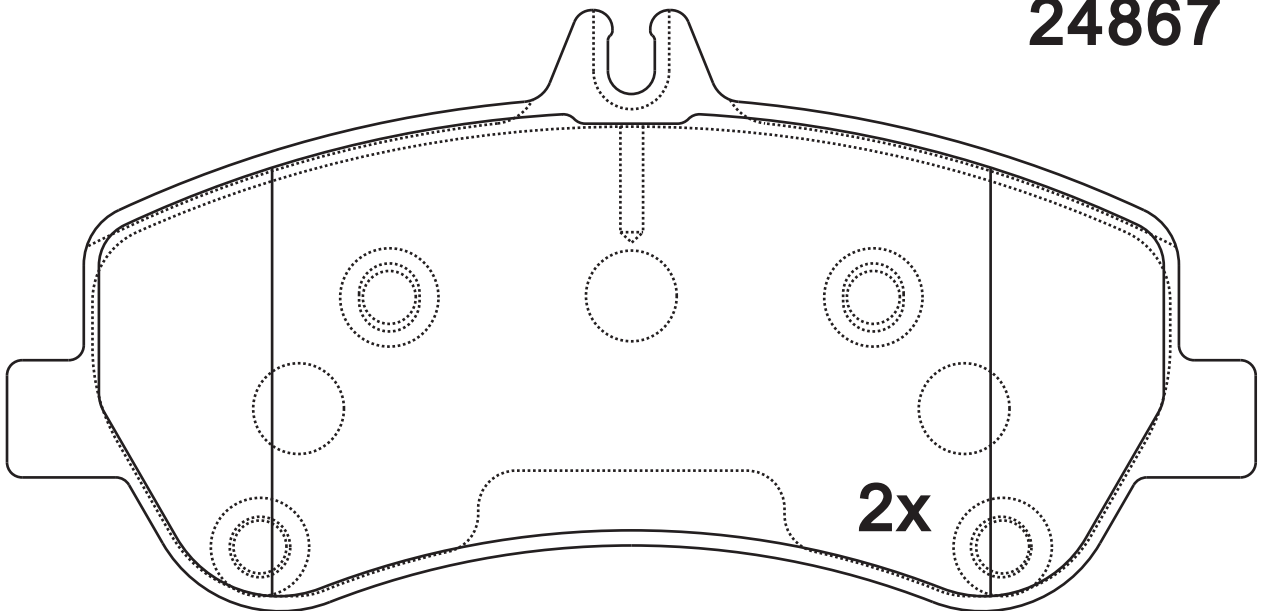


NOTE

2 identical; 2 identical ;



24867



24868

Apply for:

Mercedes GLK-class

Closed off-Road

06.08-

SR0537

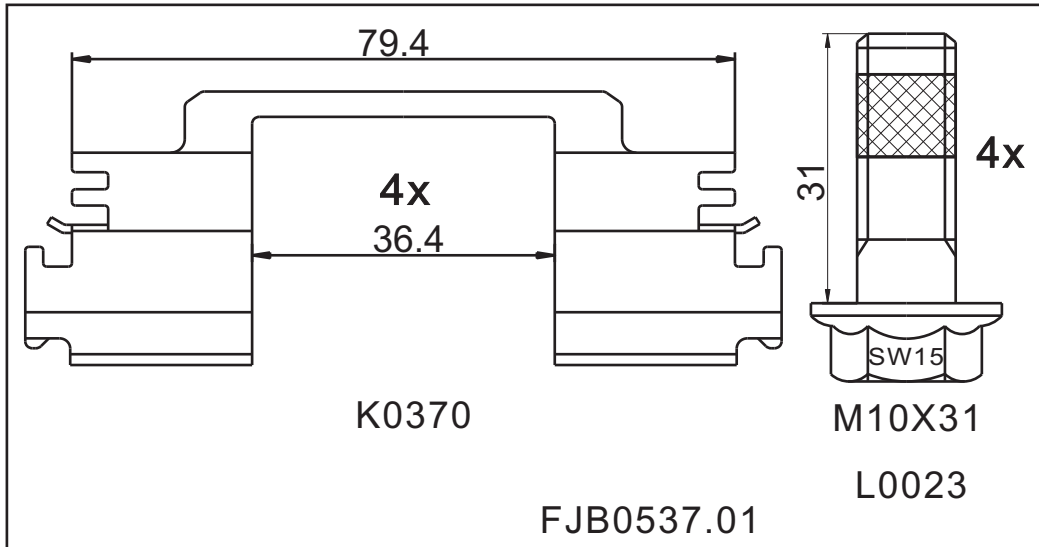
**Dimension
(mm)**

**Thickness
(mm)**



NOTE

**附件包
Accessory bag**



SR0538.01

**Dimension
(mm)**

140.6×60

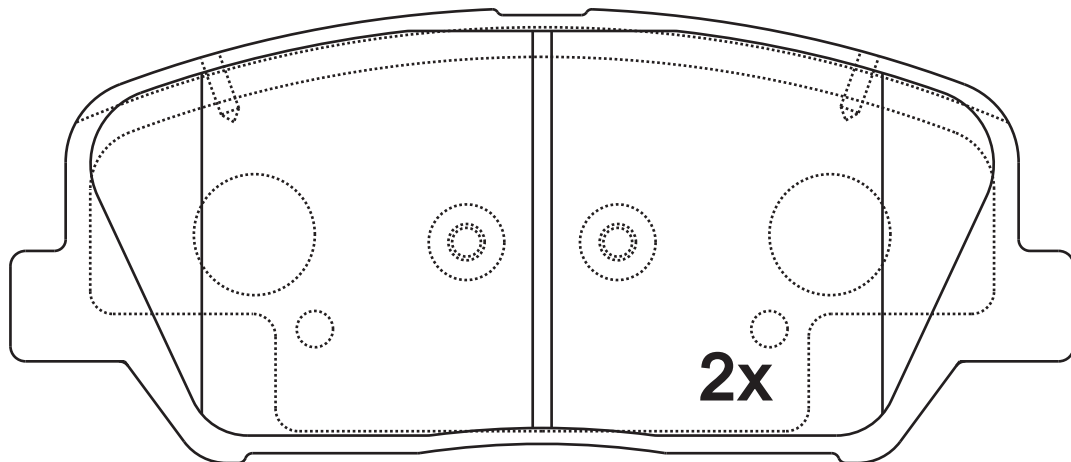
**Thickness
(mm)**

16.9

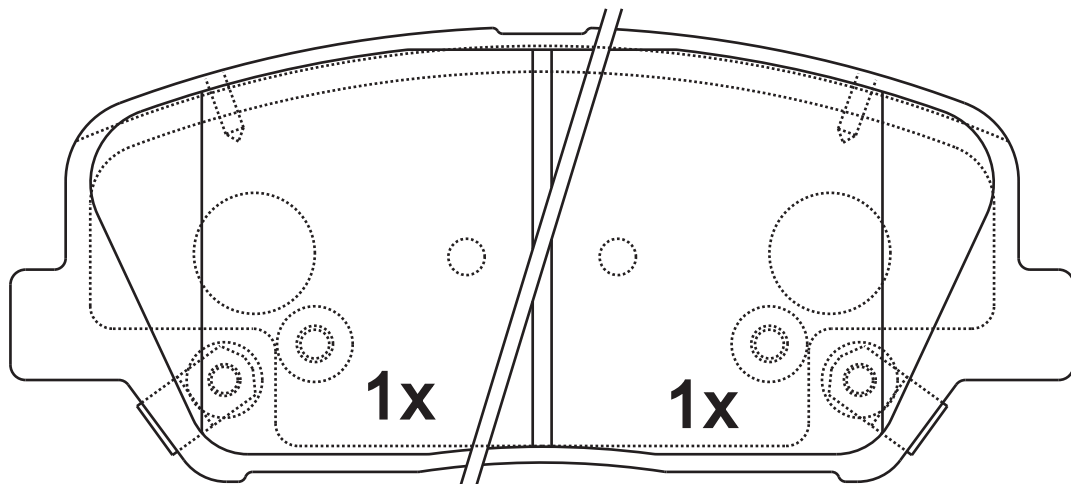


NOTE

4 identical, 1 with acoustic indicator (left), 1 with acoustic indicator (right).



24915



24917


24916

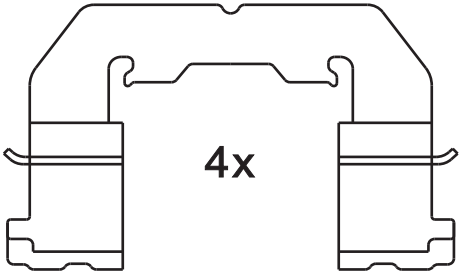
Apply for:

Hyundai Genesis

Coupe

2010-2014

SR0538	Dimension (mm)	Thickness (mm)		NOTE



SR0539.01

**Dimension
(mm)**

117×43.3

**Thickness
(mm)**

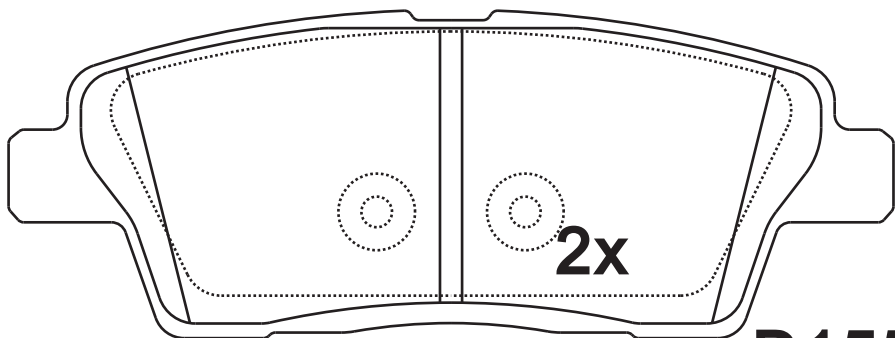
15.8



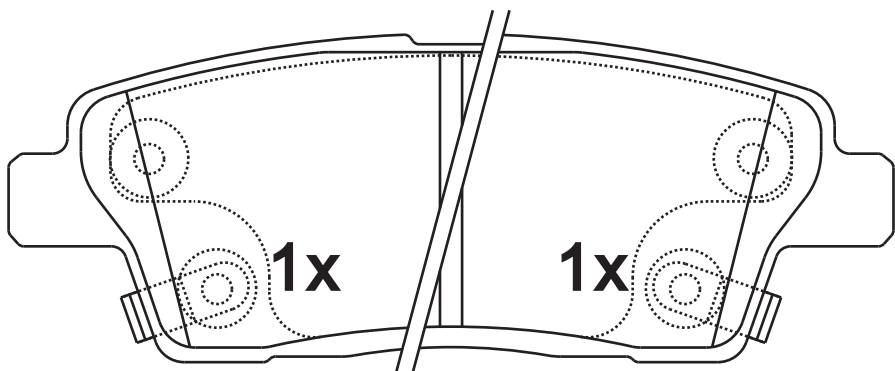
NOTE

**4 identical, 1 with
acoustic indicator(left),
1 with acoustic indicator
(right).**

无模具



D1551



Apply for:

Hyundai Genesis

Coupe

01.08-

SR0540.01

**Dimension
(mm)**

182.9×63.4

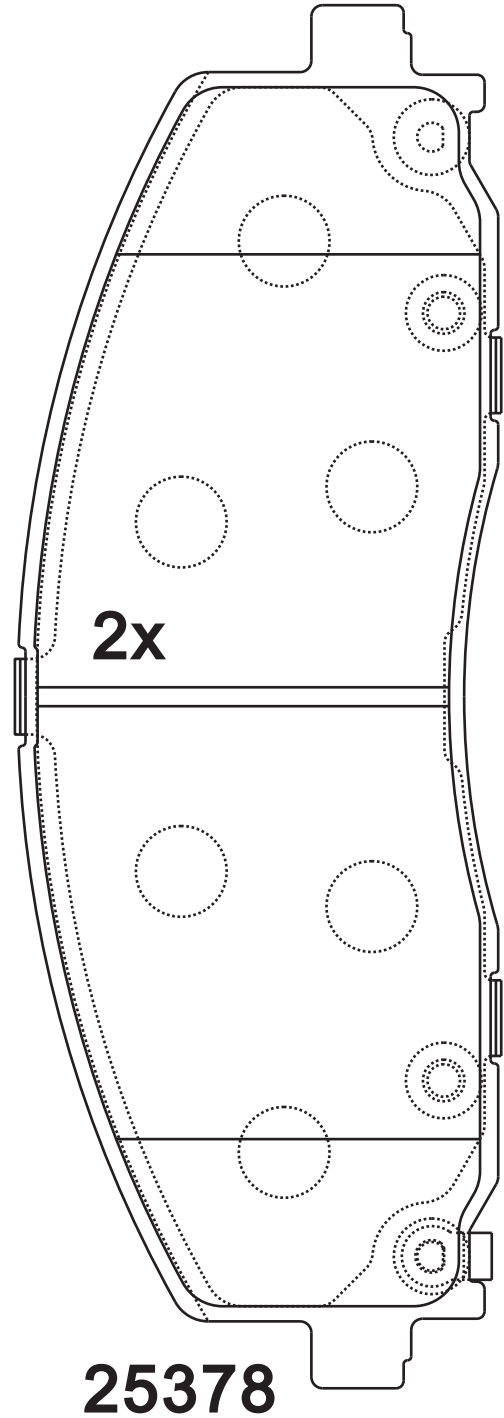
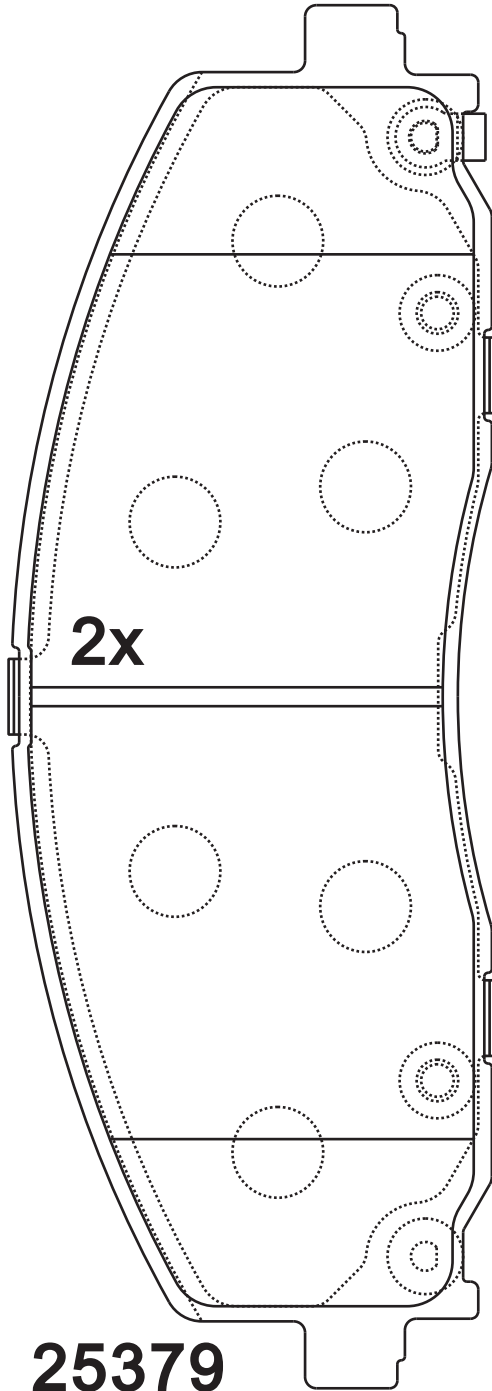
**Thickness
(mm)**

18.1



NOTE

4 identical, 2 with acoustic indicator (left), 2 with acoustic indicator (right).




Apply for:

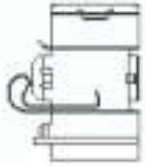
Chrysler Grand Voyager V
Fiat Freemont

MPV
Estate

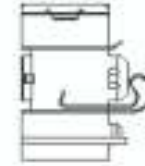
02.11-
08.11-

SR0540	Dimension (mm)	Thickness (mm)		NOTE
				附件包 Accessory bag





DX0035



DX0036

FJB0540.01

SR0541.01

**Dimension
(mm)**

130.1×55

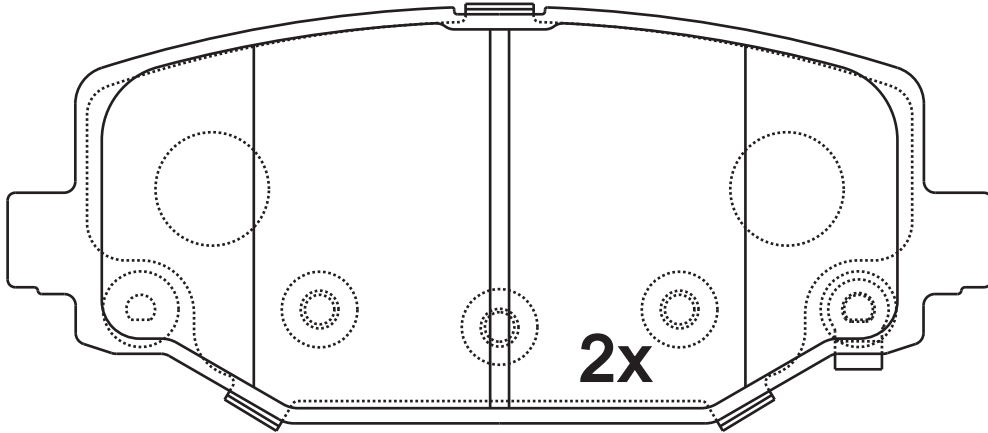
**Thickness
(mm)**

17.5

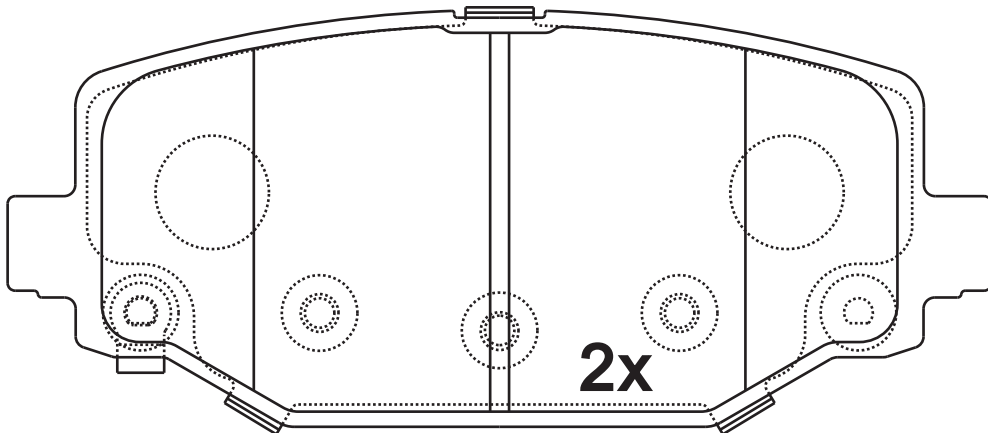


NOTE

4 identical, 2 with acoustic indicator (left), 2 with acoustic indicator (right).



25376



25377

Apply for:

Chrysler Grand Voyager V
Fiat Freemont

MPV
Estate

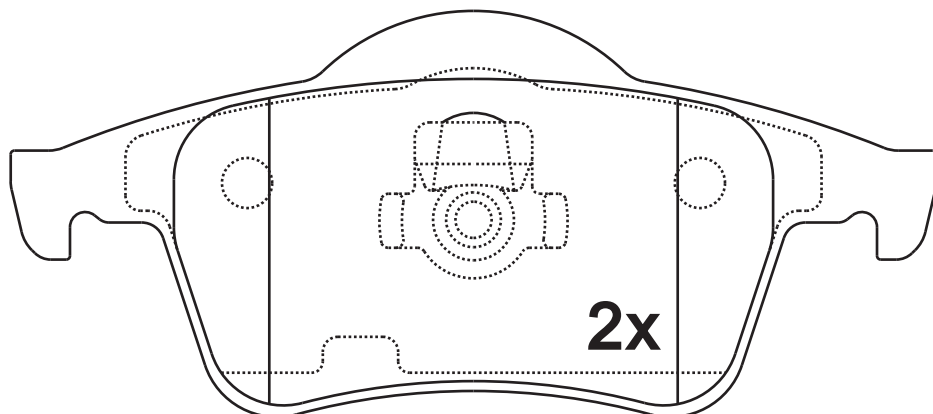
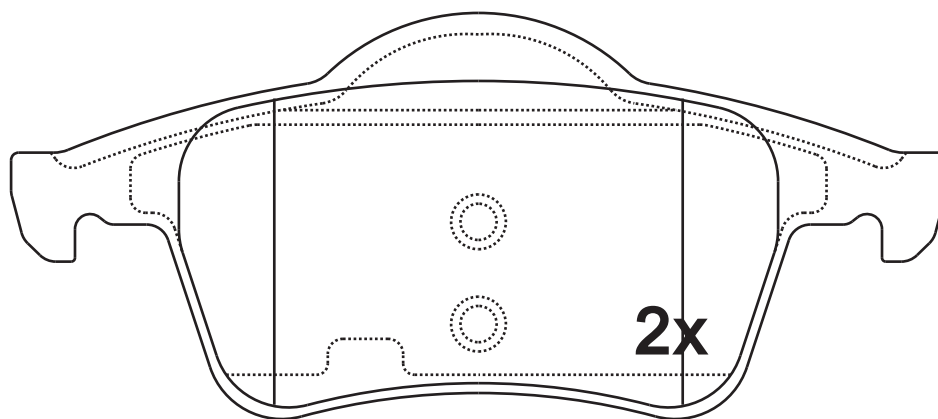
02.11-
08.11-

SR0542.01**Dimension
(mm)**

123.6/122.4×53.7

**Thickness
(mm)**

17.5

**NOTE****2 identical; 2 identical
with spring.****23076****23077****Apply for:**

Volvo S60 I	Saloon	07.00-04.10
Volvo S80 I	Saloon	05.98-07.06
Volvo V70 I	Estate	01.97-05.00
Volvo V70 II	Estate	01.97-08.07
Volvo XC70 Cross Country	Estate	09.02-08.07

SR0543.01

**Dimension
(mm)**

130×77

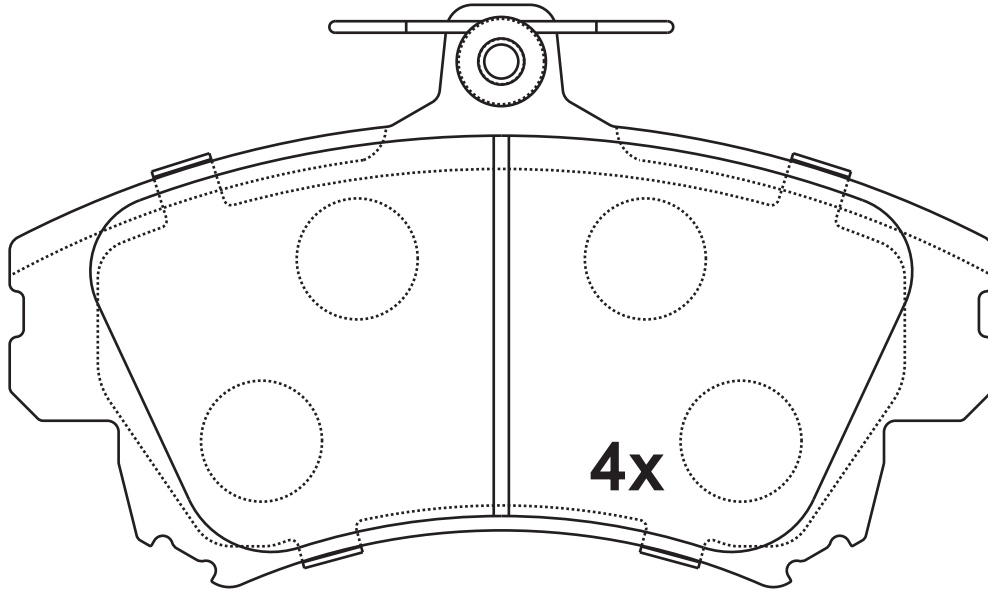
**Thickness
(mm)**

17.2

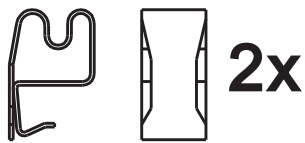


NOTE

4 identical;



21983



B0205

Apply for:

Mitsubishi Carisma	Hatchback	07.95-06.06
Mitsubishi Carisma	Saloon	09.00-06.06
Mitsubishi Colt VI	Hatchback	03.05-06.12
Mitsubishi Colt CZC	Convertible	05.06-07.09

SR0543

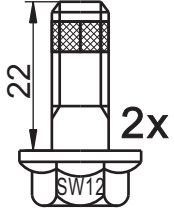
**Dimension
(mm)**

**Thickness
(mm)**

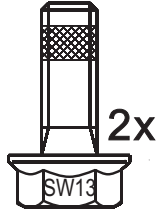


NOTE

**附件包
Accessory bag**



M8×1
L0008
FJB0597.01



M8X22
L0020
FJB0621.01

SR0544.01

**Dimension
(mm)**

172.3×65.6

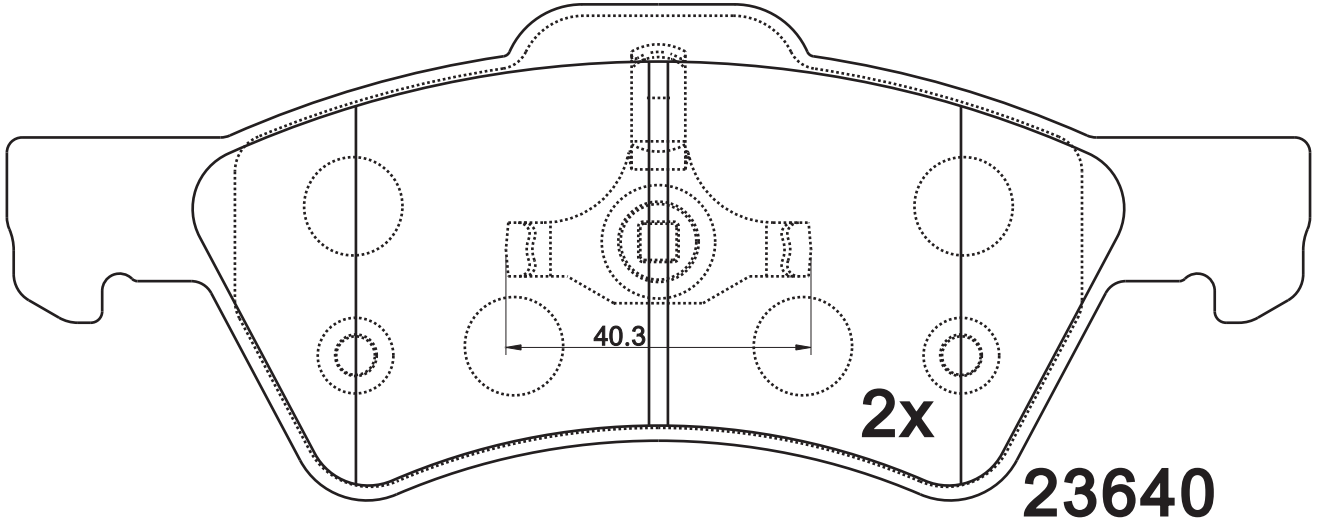
**Thickness
(mm)**

18.8

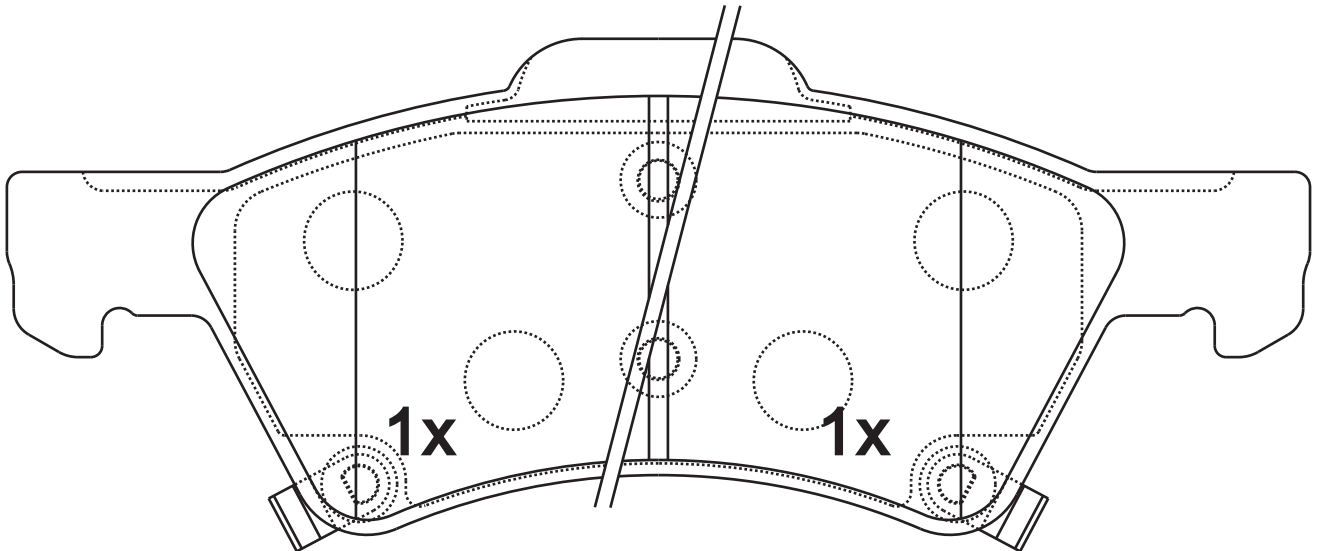


NOTE

2 identical, 1 with acoustic indicator (left), 1 with acoustic indicator (right); 2 identical with spring.



23640



23641

23642

Apply for:

Chrysler Town&Country
Chrysler Voyager IV
Dodge Caravan

MPV
MPV
MPV

10.00-08.07
02.00-12.08
02.00-12.07

SR0545.01

**Dimension
(mm)**

155.4×50.8

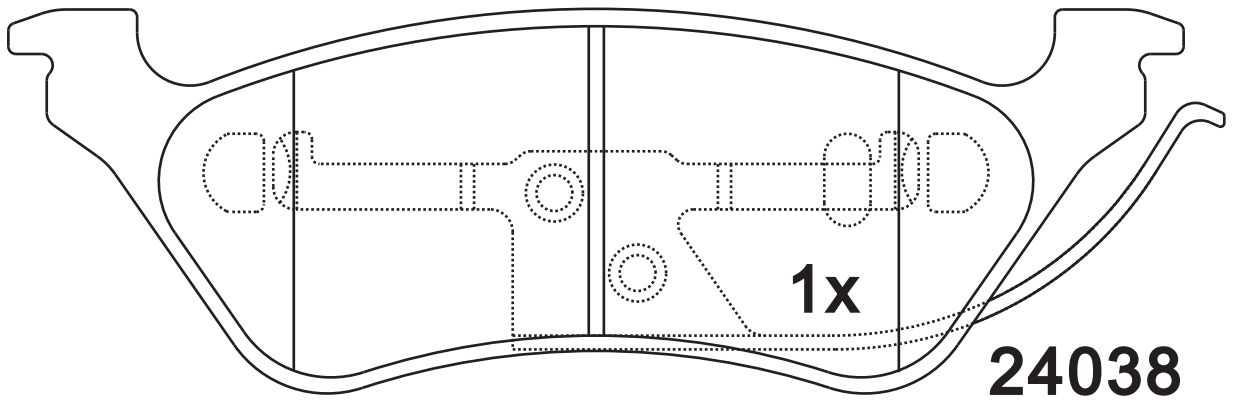
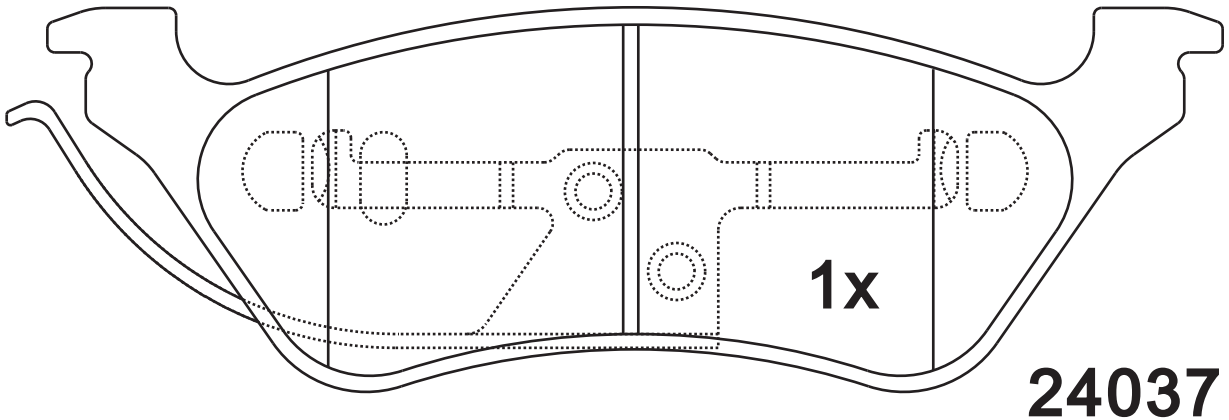
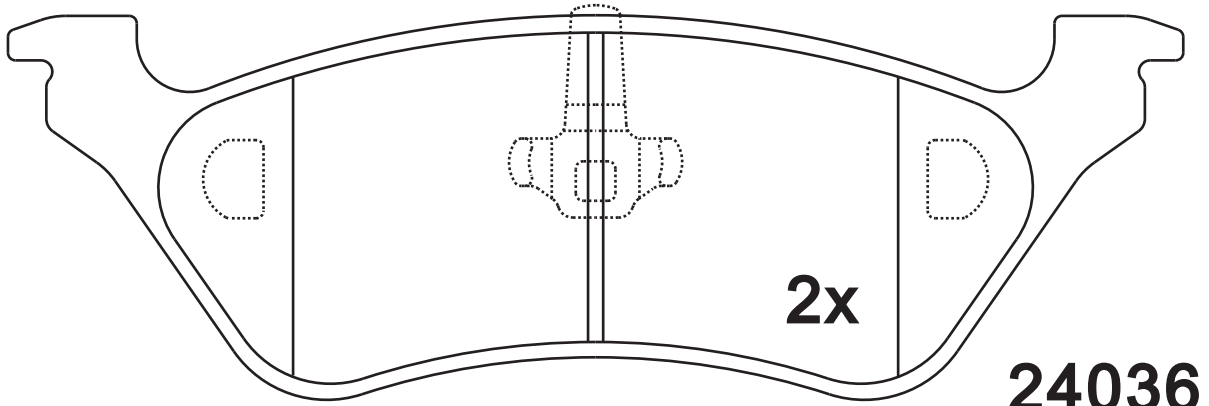
**Thickness
(mm)**

16.8



NOTE

2 identical, 1 with spring (left), 1 with spring (right); 2 identical.



Apply for:

Chrysler Town&Country

Chrysler Voyager IV

Dodge Caravan

Jeep Cherokee

MPV

MPV

MPV

Closed off-road

10.00-08.07

02.00-12.08

02.00-12.07

09.01-

SR0546.01

**Dimension
(mm)**

137.6×47

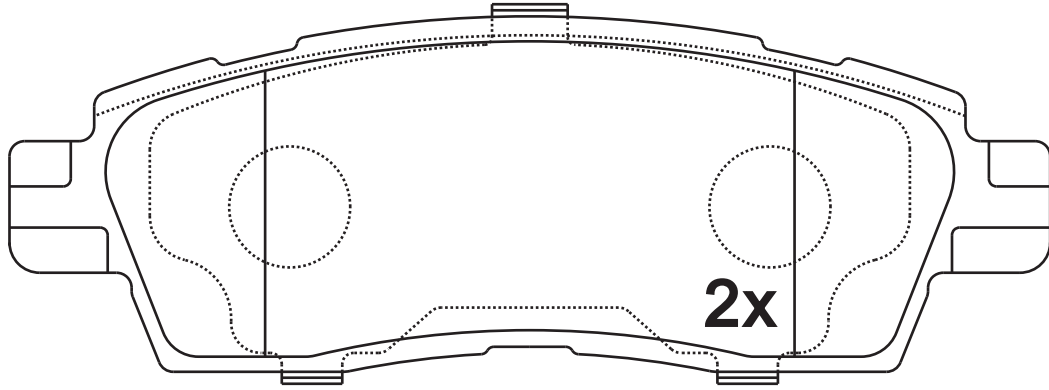
**Thickness
(mm)**

18.2

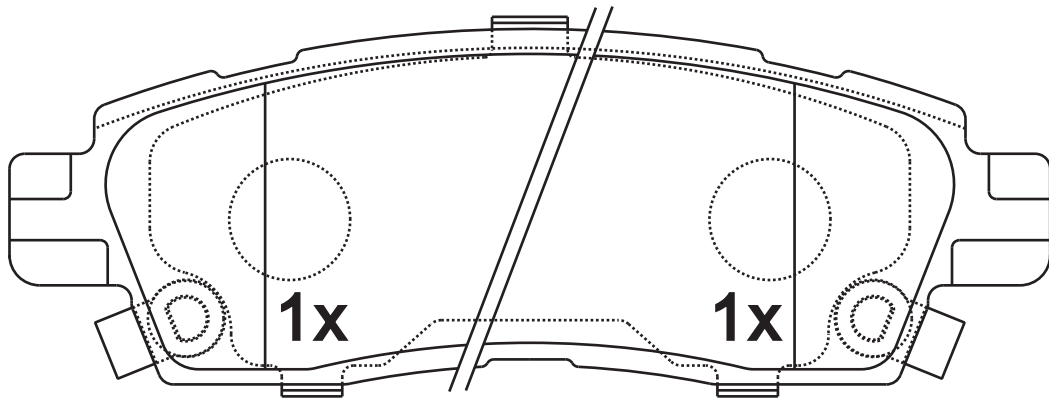


NOTE

4 identical, 1 with acoustic indicator (left), 1 with acoustic indicator (right).



24447



24446

24445

Apply for:

Buick Enclave

MPV

2008-2014

SR0546.02

**Dimension
(mm)**

137.7×47

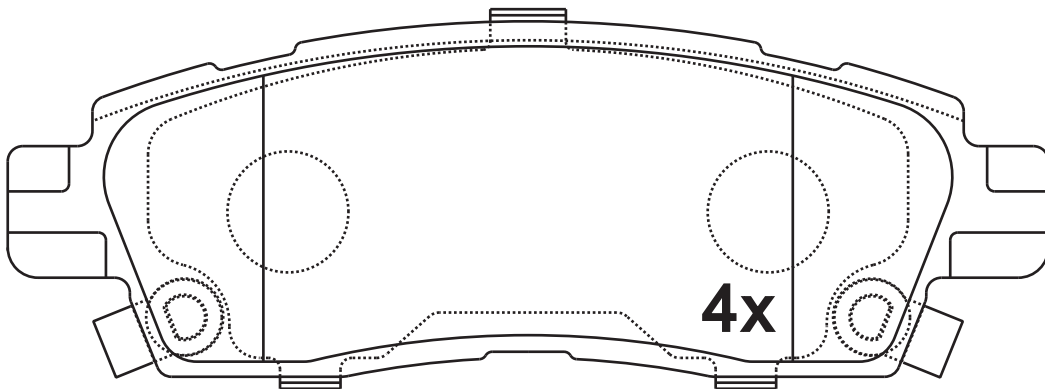
**Thickness
(mm)**

18.2



NOTE

4 identical, 1 with acoustic indicator (left), 1 with acoustic indicator (right).



24445

Apply for:

Buick Enclave

MPV

2008-2014

SR0547.01

**Dimension
(mm)**

**Thickness
(mm)**

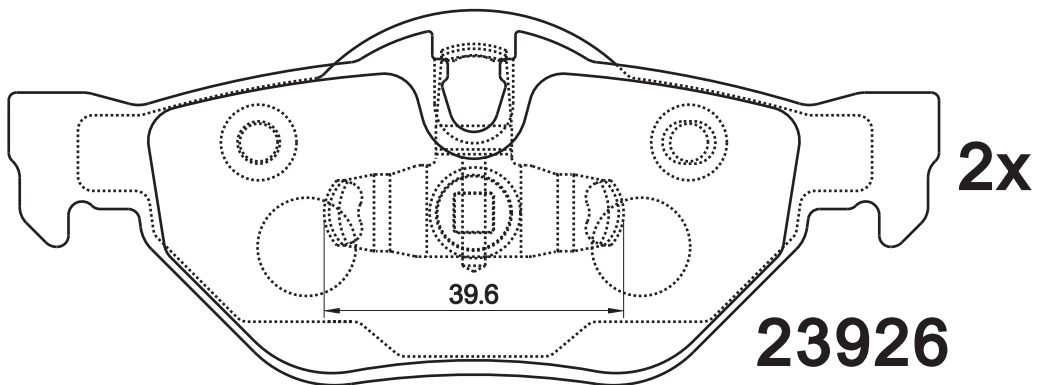
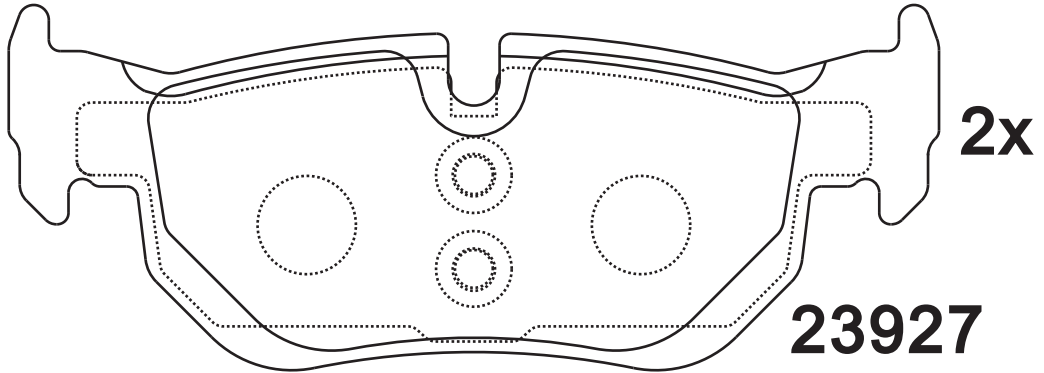


NOTE

**2 identical; 2 identical
with spring.**

123×48.3
123×46.8

17.3



Apply for:

BMW 1	Hatchback	03.05-09.12
BMW 1	Coupe	10.07-
BMW 1	Convertible	03.08-
BMW 3	Saloon	01.05-12.11
BMW 3	Estate	09.05-06.12
BMW 3	Coupe	09.06-
BMW 3	Convertible	03.07-
BMW X1	Estate	01.10-

SR0547.02

**Dimension
(mm)**

**Thickness
(mm)**

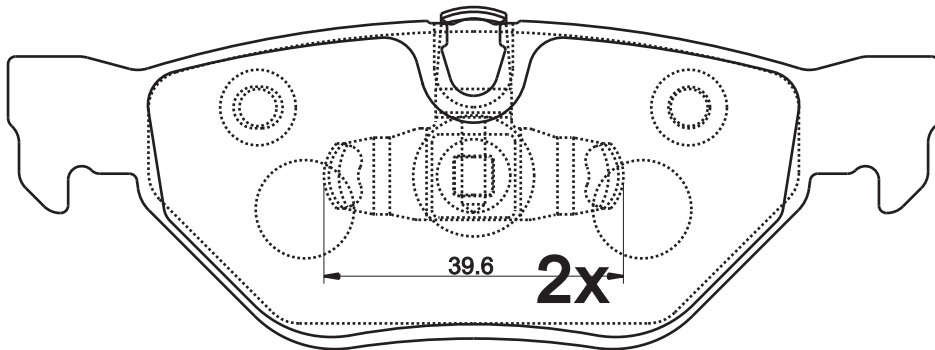
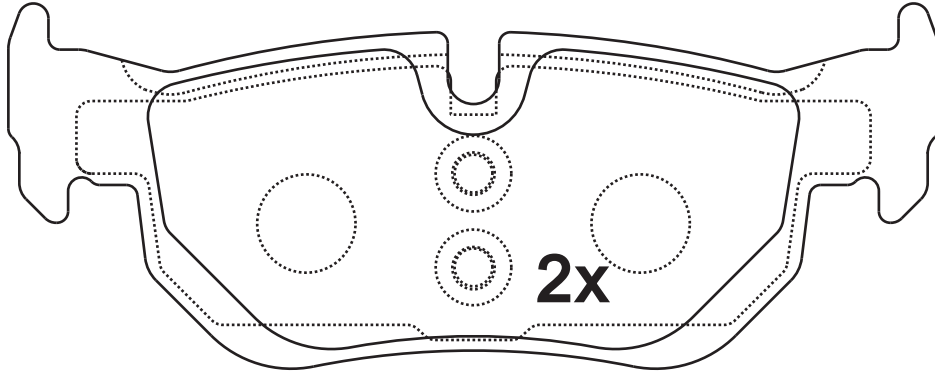


NOTE

**2 identical; 2 identical
with spring.**

123×48.1/43.5

17.1



GDB1626

Apply for:

BMW 1	Hatchback	03.05-09.12
BMW 1	Coupe	10.07-
BMW 1	Convertible	03.08-
BMW 3	Saloon	01.05-12.11
BMW 3	Estate	09.05-06.12
BMW 3	Coupe	09.06-
BMW 3	Convertible	03.07-
BMW X1	Estate	01.10-

SR0547

**Dimension
(mm)**

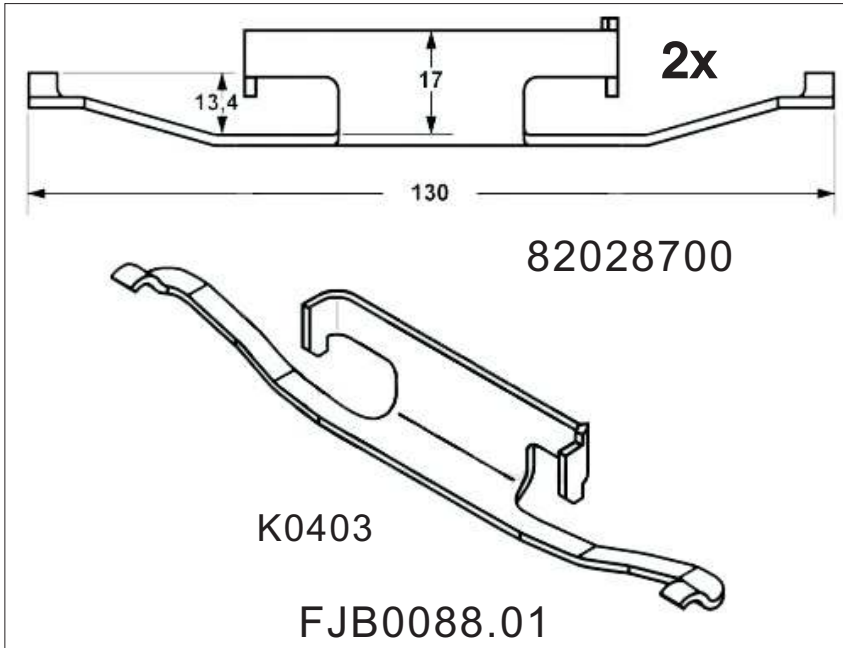
**Thickness
(mm)**



NOTE

附件包

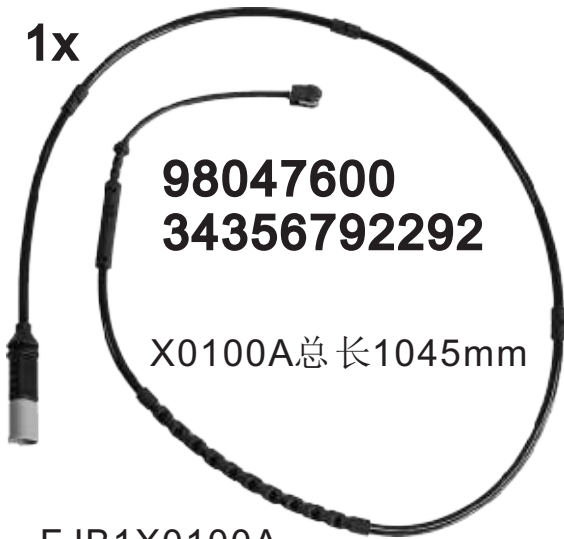
Accessory bag



1x



1x



2x



SR0548.01

**Dimension
(mm)**

139.5×67.8

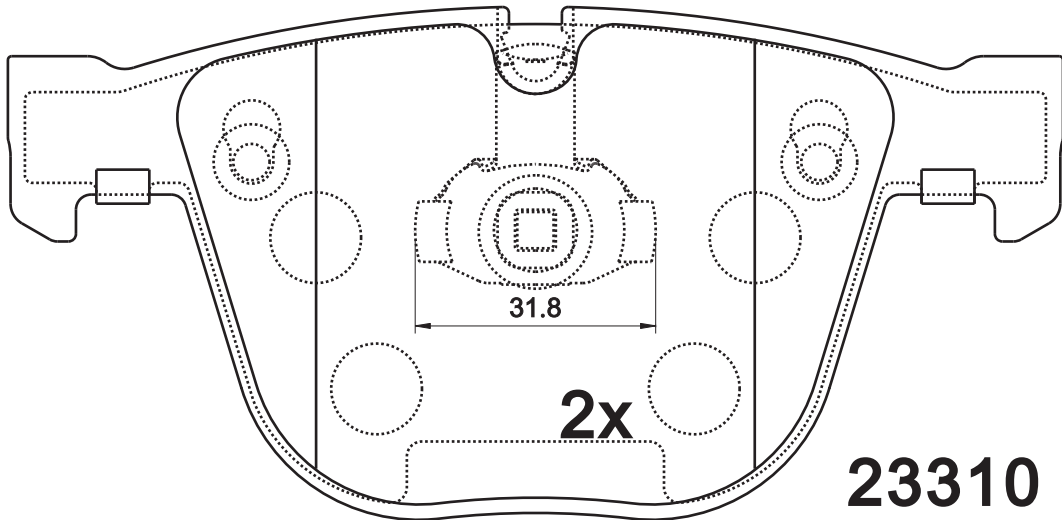
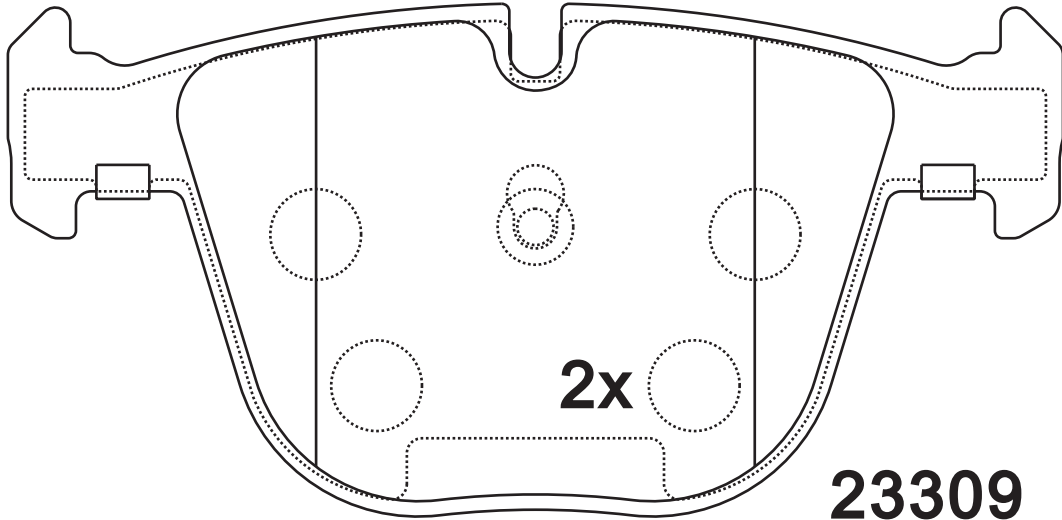
**Thickness
(mm)**

17.3



NOTE

**2 identical; 2 identical
with spring.**



Apply for:

BMW 1	Coupe	04.11-06.12
BMW 3	Saloon	03.07-12.11
BMW 3	Coupe	03.07-
BMW 5	Saloon	09.04-03.10
BMW 5	Estate	01.07-
BMW 6	Coupe	01.04-
BMW 6	Convertible	04.04-
BMW 7	Saloon	11.01-
BMW X5	Closed off-road	02.07-
BMW X6	Closed off-road	05.08-

SR0548.02

**Dimension
(mm)**

139.5×67.8

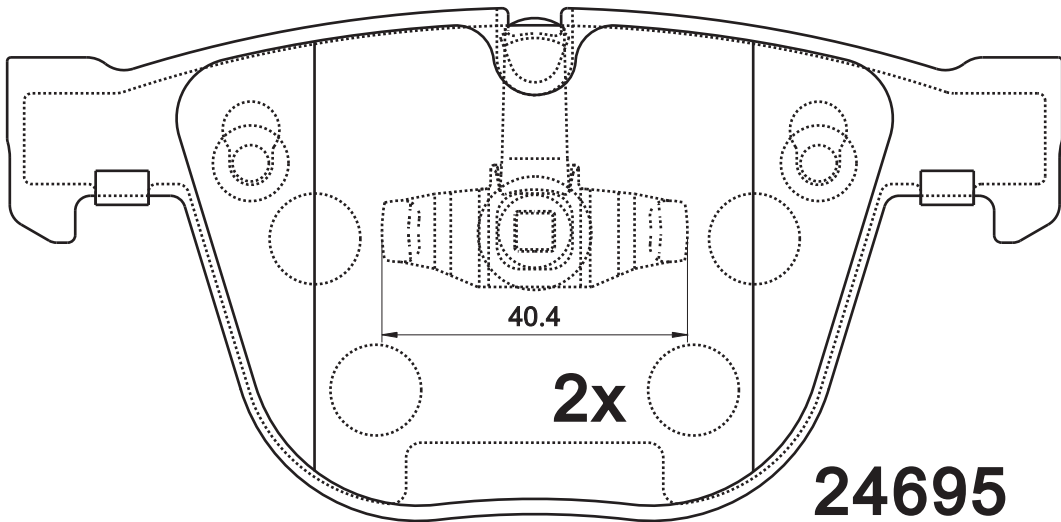
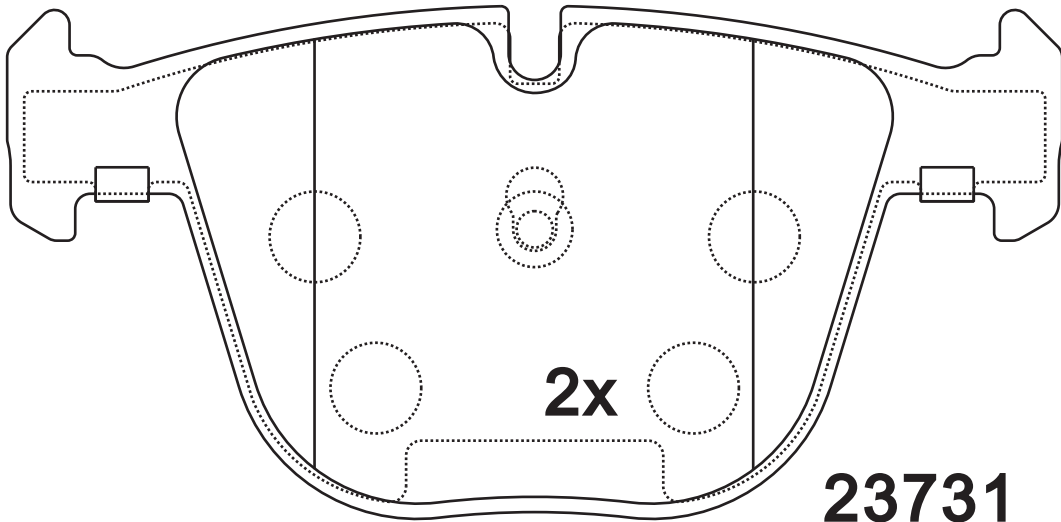
**Thickness
(mm)**

17.3



NOTE

**2 identical; 2 identical
with spring.**



Apply for:

BMW 1	Coupe	04.11-06.12
BMW 3	Saloon	03.07-12.11
BMW 3	Coupe	03.07-
BMW 5	Saloon	09.04-03.10
BMW 5	Estate	01.07-
BMW 6	Coupe	01.04-
BMW 6	Convertible	04.04-
BMW 7	Saloon	11.01-
BMW X5	Closed off-road	02.07-
BMW X6	Closed off-road	05.08-

SR0548.03

**Dimension
(mm)**

139.5×67.8

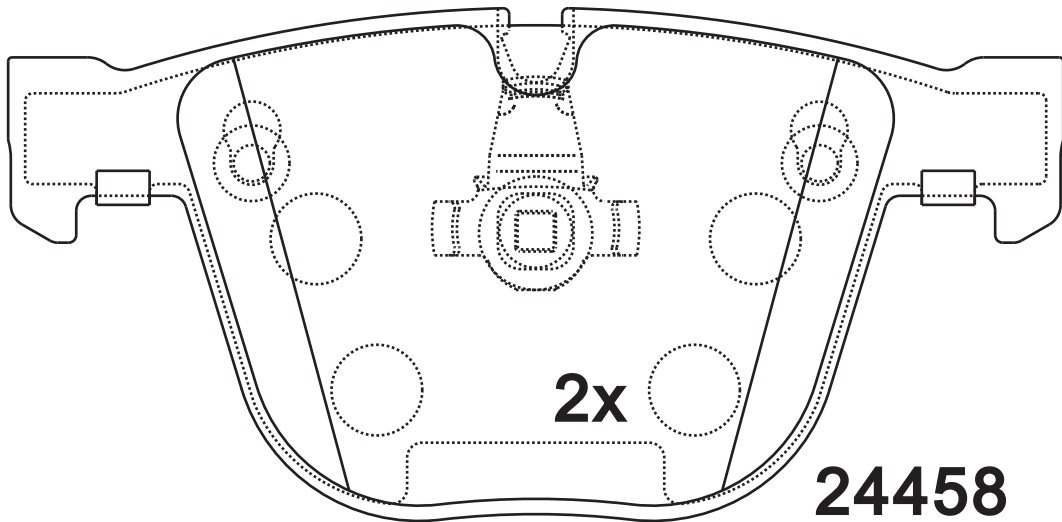
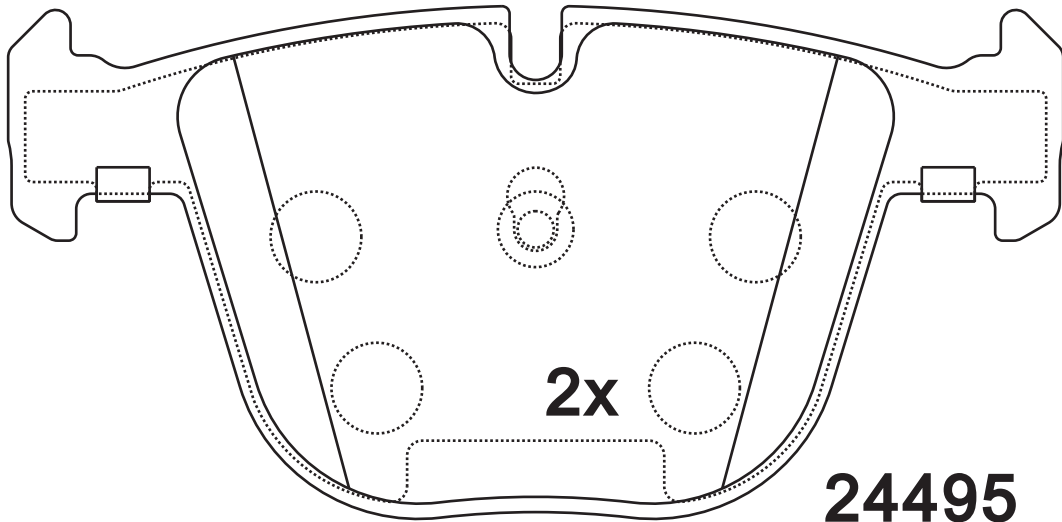
**Thickness
(mm)**

17.3



NOTE

**2 identical; 2 identical
with spring.**



Apply for:

Bentley Arnage (Rbs_)

Bmw 1 Coupe (E82)

Rolls-Royce Phantom Vii Coupe (Rr3)

1998/03-2013/12

2006/10-2013/10

2007/01-2017/07

SR0548

**Dimension
(mm)**

**Thickness
(mm)**



NOTE

附件包

Accessory bag

1x

98043200



X0211A总长1055mm

FJB1X0211A

SR0549.01

**Dimension
(mm)**

**Thickness
(mm)**

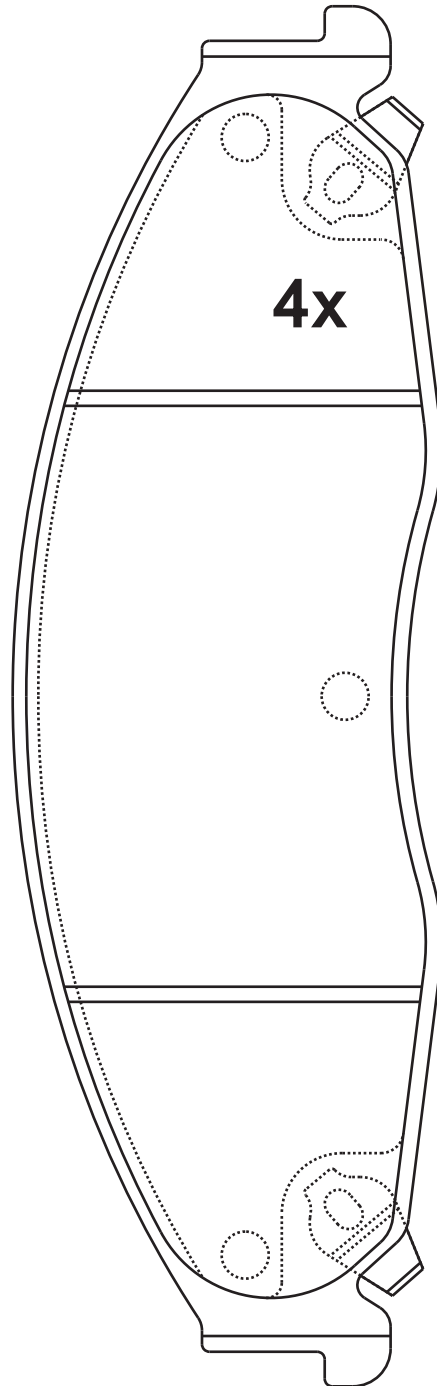


NOTE

**4 identical with 2 warn
indicators.**

182.5×56.7

15.2



**23957
24303**

Apply for:

Cadillac CTS
Cadillac STS
Cadillac XLS
Ford GT

Saloon
Saloon
Convertible
Coupe

03.02-
05.02-
03.04-09.09
06.03-

SR0550.01

**Dimension
(mm)**

122.6×38.1

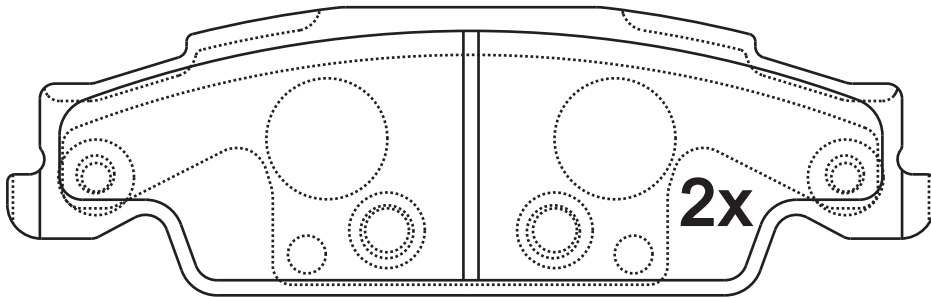
**Thickness
(mm)**

16

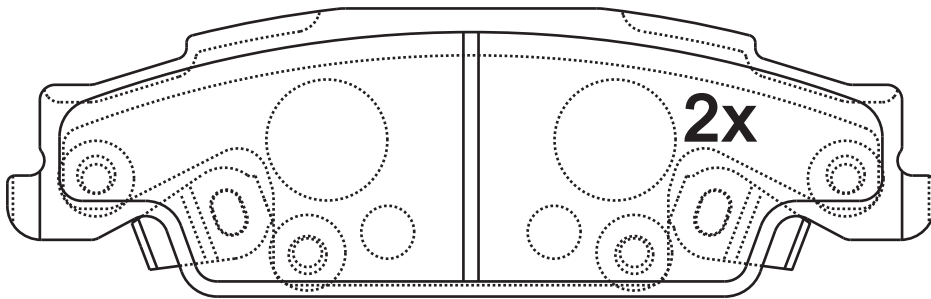


NOTE

**4 identical, 2 with
acoustic indicators.**



24304



24305

Apply for:

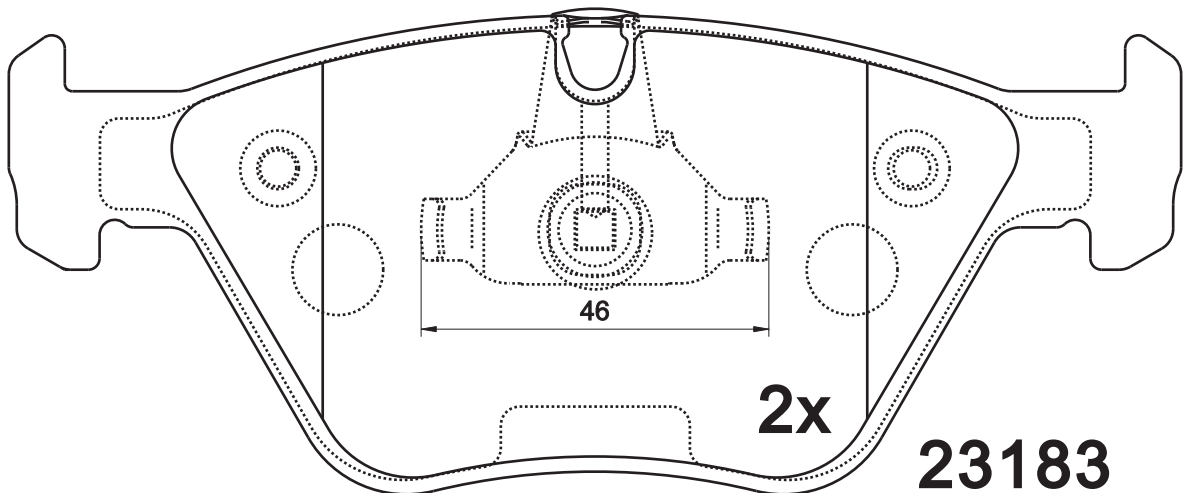
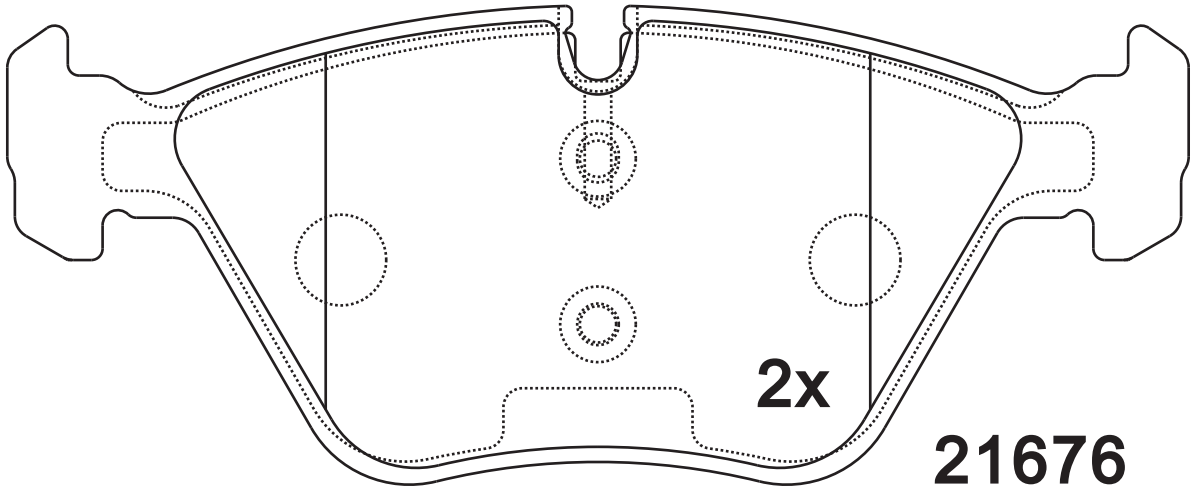
Cadillac CTS
Cadillac STS

Saloon
Saloon

03.02-
05.02-

SR0551.01**Dimension
(mm)**156.2×63.3
155×63.3**Thickness
(mm)**

20.3

**NOTE****2 identical; 2 identical
with spring.****Apply for:**

BMW 3	Saloon	06.00-02.55
BMW 3	Coupe	06.00-
BMW 3	Convertible	06.00-
BMW 3	Estate	06.00-02.05
BMW X3	Closed off-road	01.04-
BMW Z4	Convertible	01.06-
BMW Z4	Coupe	03.06-

SR0551.02

**Dimension
(mm)**

154.8/155.3×63.9

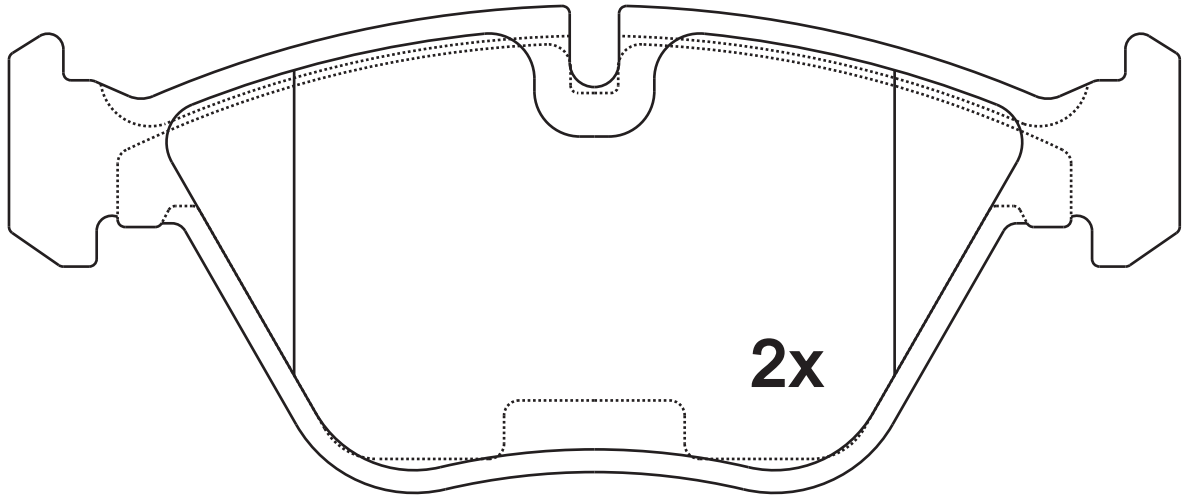
**Thickness
(mm)**

20.3

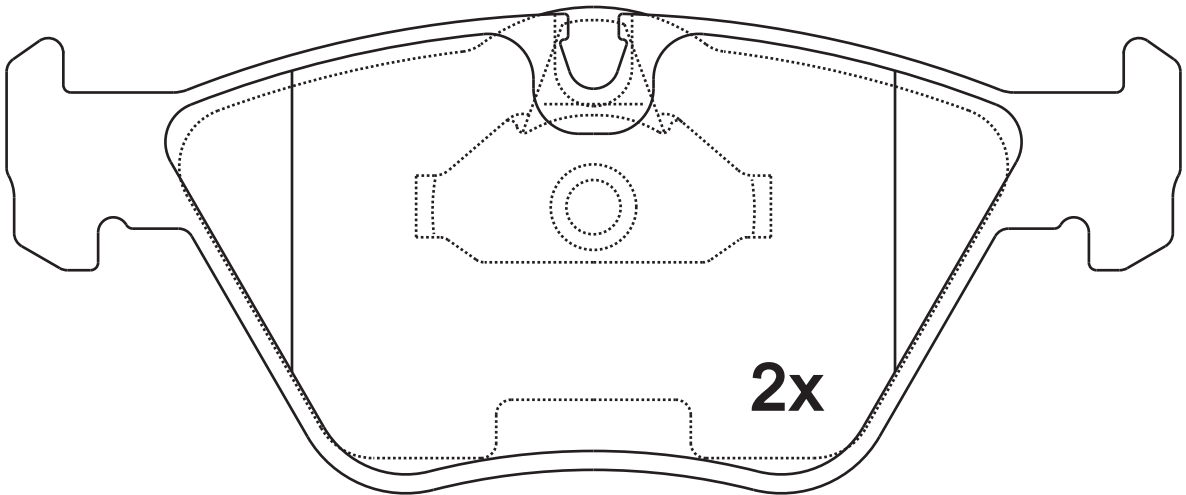


NOTE

**2 identical; 2 identical
with spring.**



21990



21677

Apply for:

BMW 525i
BMW 528i

2001-2003
1999-2000

SR0551.03

**Dimension
(mm)**

154.8/155.1×63.5

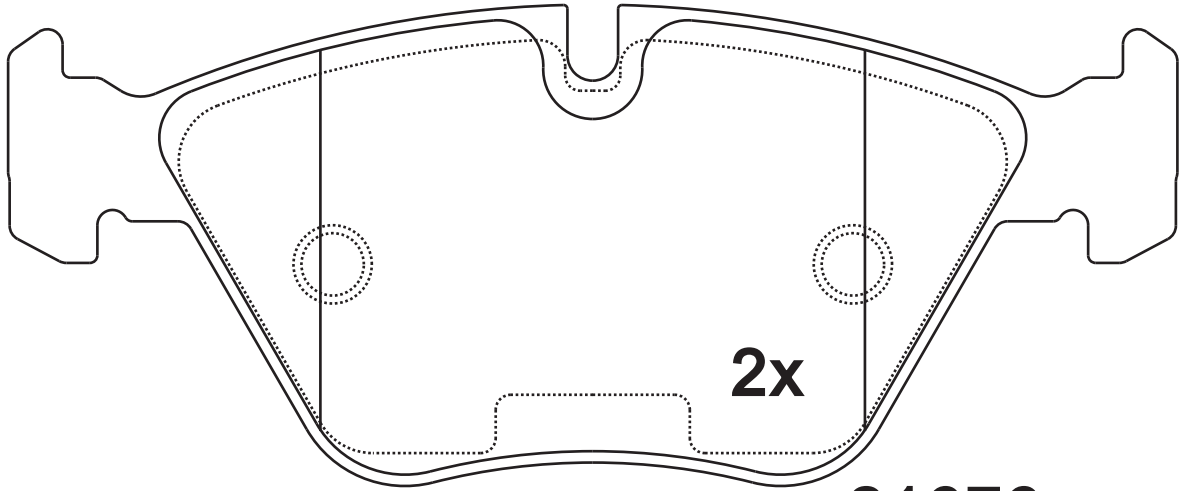
**Thickness
(mm)**

20.3

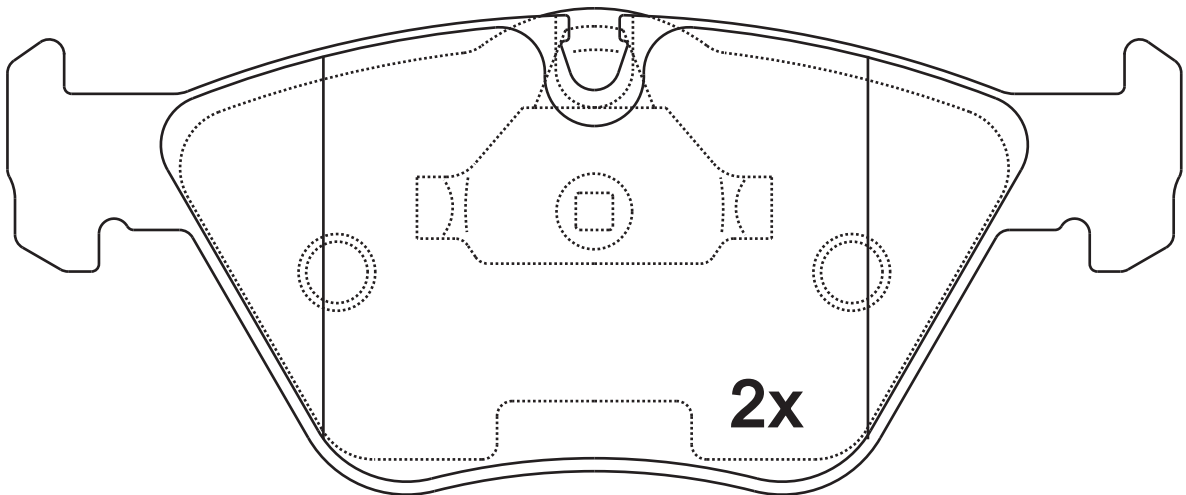


NOTE

**2 identical; 2 identical
with spring.**



21676



21677

Apply for:

BMW 330Ci	2001-2006
BMW 330i	2001-2005
BMW 330xi	2001-2005
BMW M3	2003-2006
BMW M3 Competition	2006
BMW M3 Competition	2005
BMW X3	2004-2010
BMW Z4 3.0Si	2006-2008
BMW Z4 M	2006-2008

SR0551

**Dimension
(mm)**

**Thickness
(mm)**



NOTE

附件包

Accessory bag

1x



**98035300
34357836795**

X0141A总长610mm

FJB1X0141A

SR0552.01

**Dimension
(mm)**

123.1×61.8
123×63.6

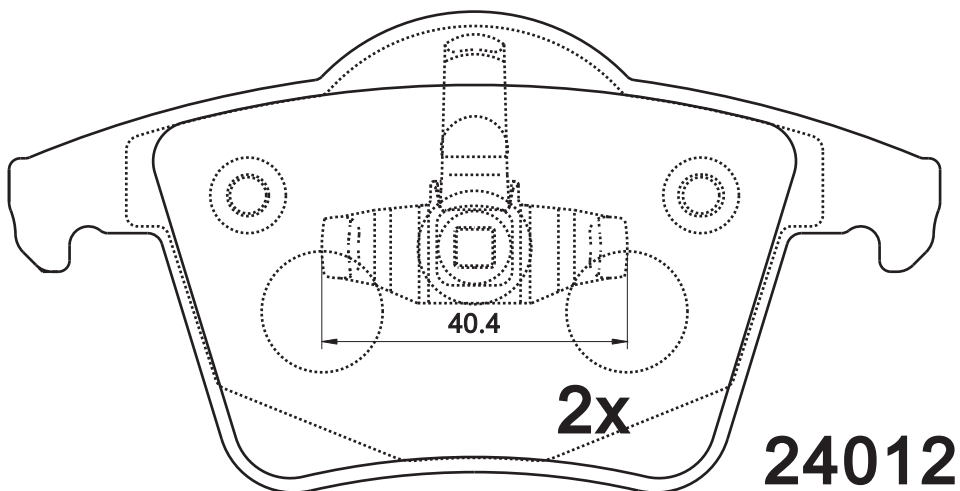
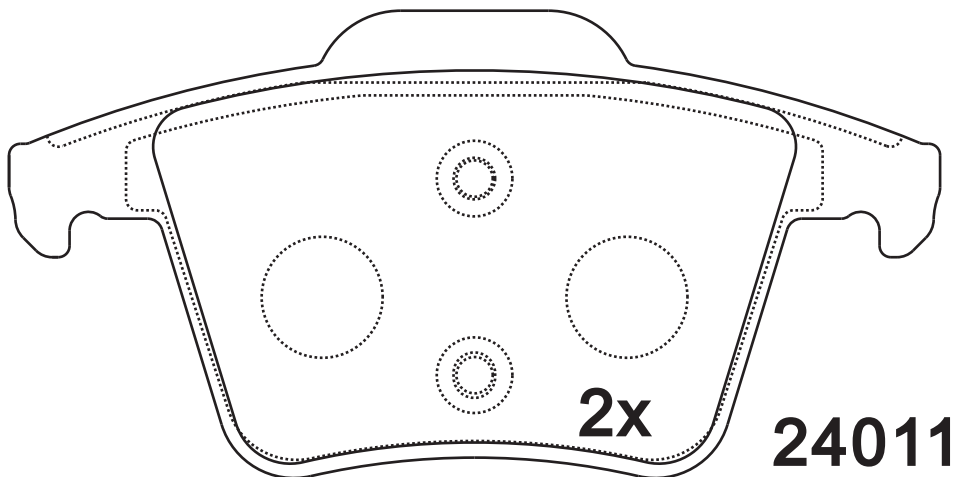
**Thickness
(mm)**

18.7



NOTE

**2 identical; 2 identical
with spring.**



Apply for:

Volvo XC90 I

Estate

10.02-

SR0553.01

**Dimension
(mm)**

**Thickness
(mm)**



NOTE

the same to SR0330

SR0554.01

**Dimension
(mm)**

121.3×51.1

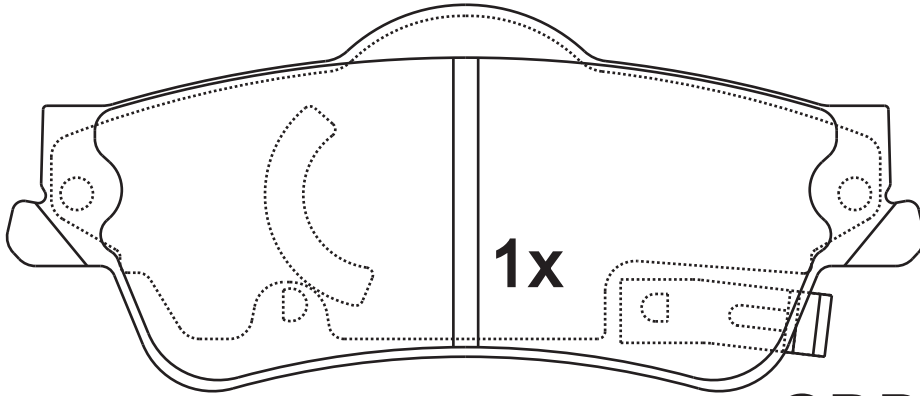
**Thickness
(mm)**

16.3



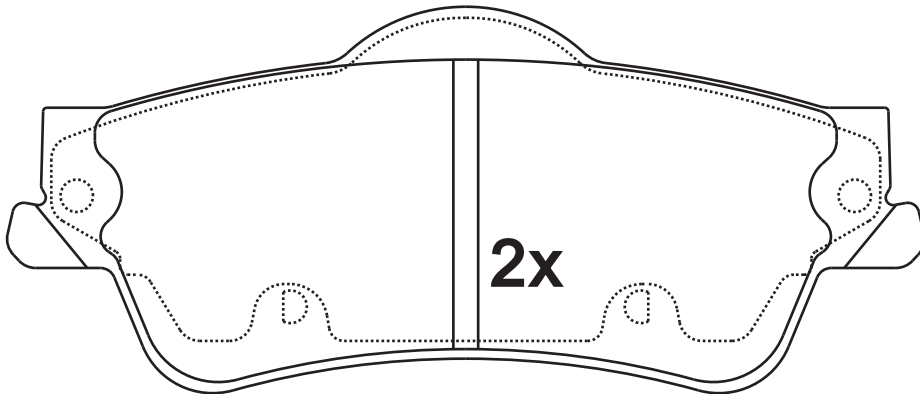
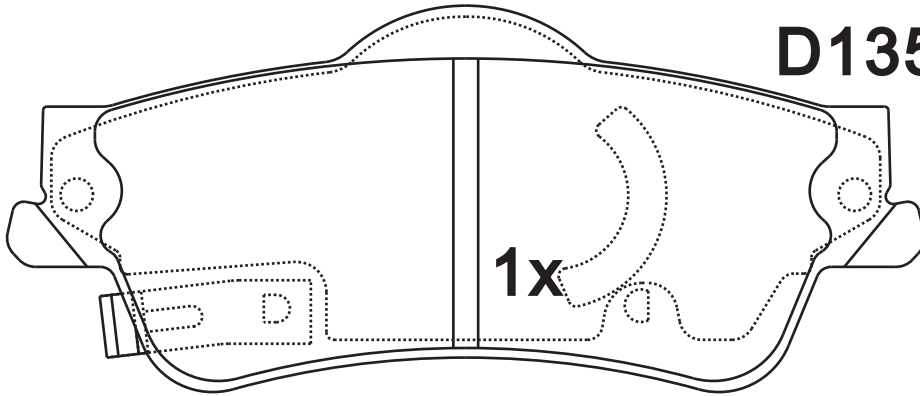
NOTE

4 identical, 1 with acoustic indicator (left), 1 with acoustic indicator (right).



GDB7716

D1352



Apply for:

Buick Park Avenue
Holden Commodore
Holden Commodore

Saloon
Saloon
Estate

04.07-10.09
2006-2014
2008-2008

SR0555.01

**Dimension
(mm)**

164.8×58.6

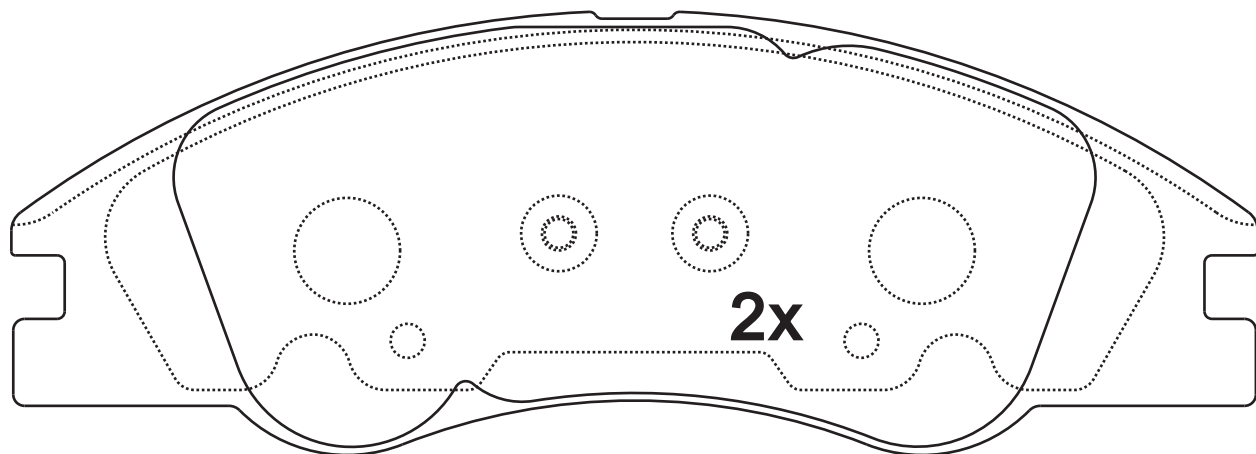
**Thickness
(mm)**

17.5

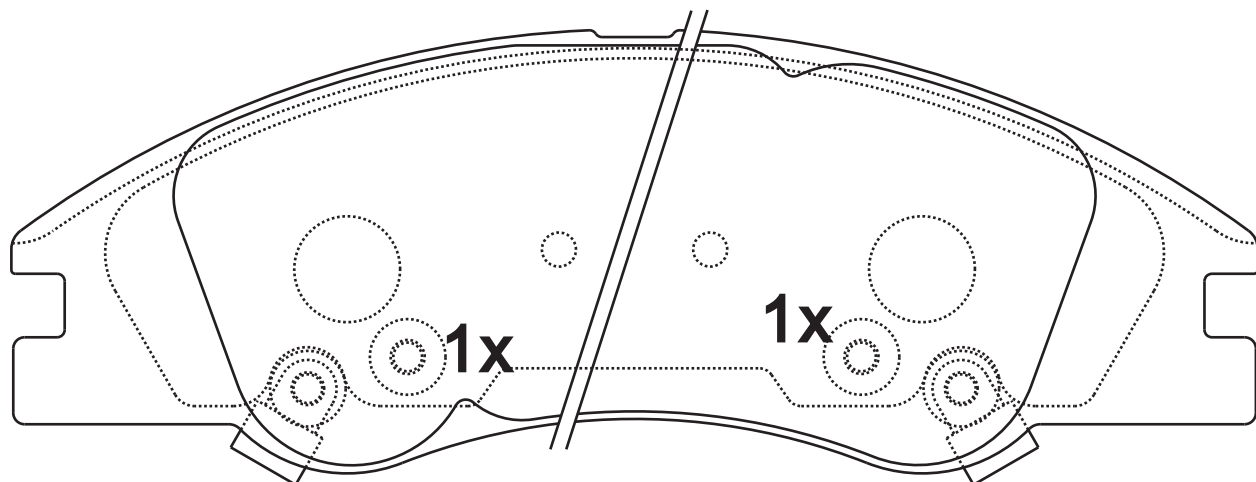


NOTE

4 identical, 1 with acoustic indicator(left), 1 with acoustic indicator(right).



24220



24218

24219

Apply for:

Kia Cerato
Kia Cerato

Saloon
Hatchback

04.04-
04.04-

SR0555

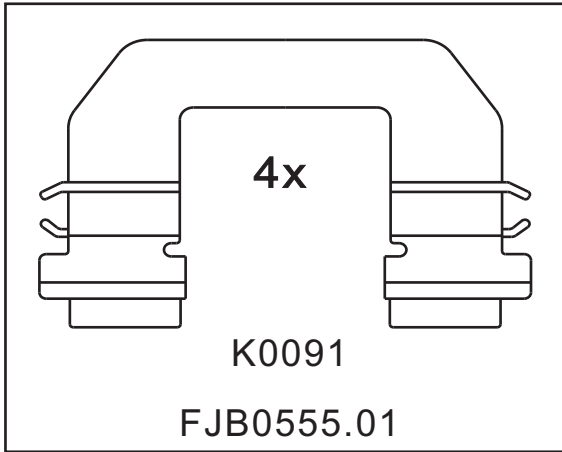
**Dimension
(mm)**

**Thickness
(mm)**



NOTE

**附件包
Accessory bag**



SR0556.01

**Dimension
(mm)**

**Thickness
(mm)**

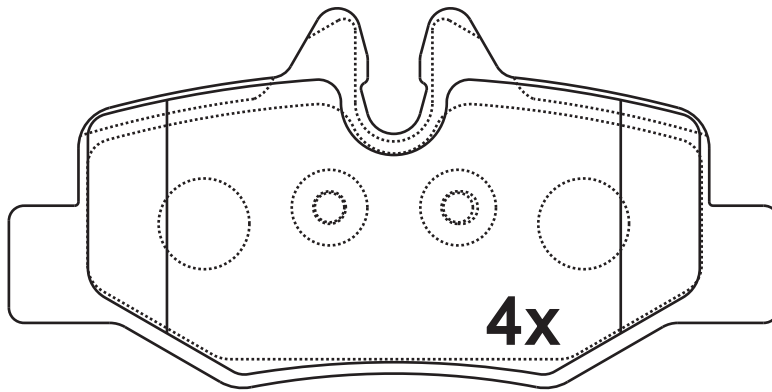


NOTE

4 identical;

101.8×50.2

18.3



24008



Apply for:

Mercedes Viano
Mercedes Vito
Mercedes Vito

MPV
Bus
Box

09.03-
09.03-
09.03-

SR0556.02

**Dimension
(mm)**

**Thickness
(mm)**

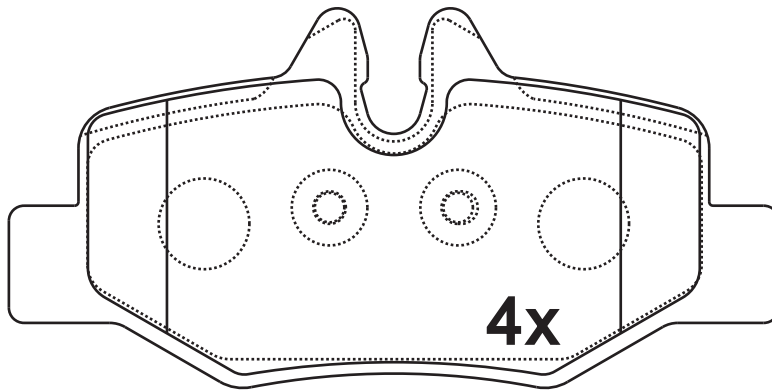


NOTE

4 identical;

101.8×50.2

18.3



24008

Apply for:

Mercedes Viano
Mercedes Vito
Mercedes Vito

MPV
Bus
Box

09.03-
09.03-
09.03-

SR0556

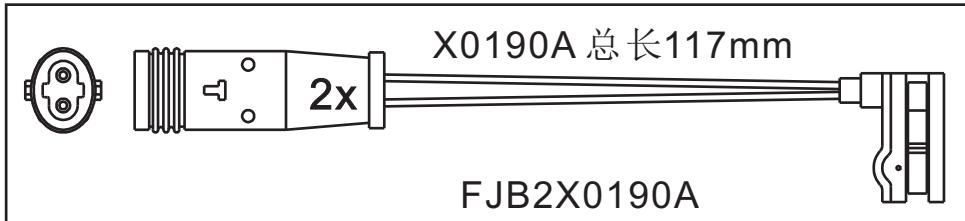
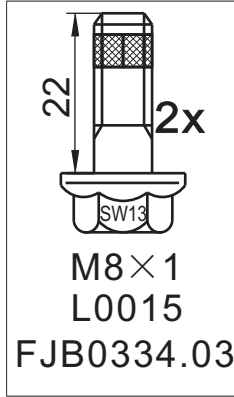
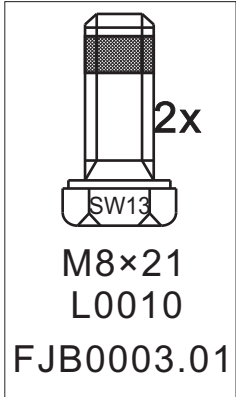
**Dimension
(mm)**

**Thickness
(mm)**



NOTE

**附件包
Accessory bag**



SR0557.01

**Dimension
(mm)**

**Thickness
(mm)**

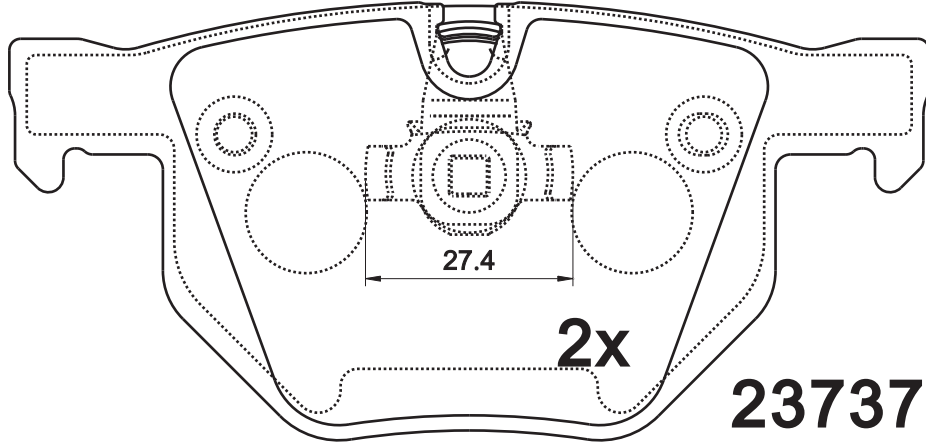
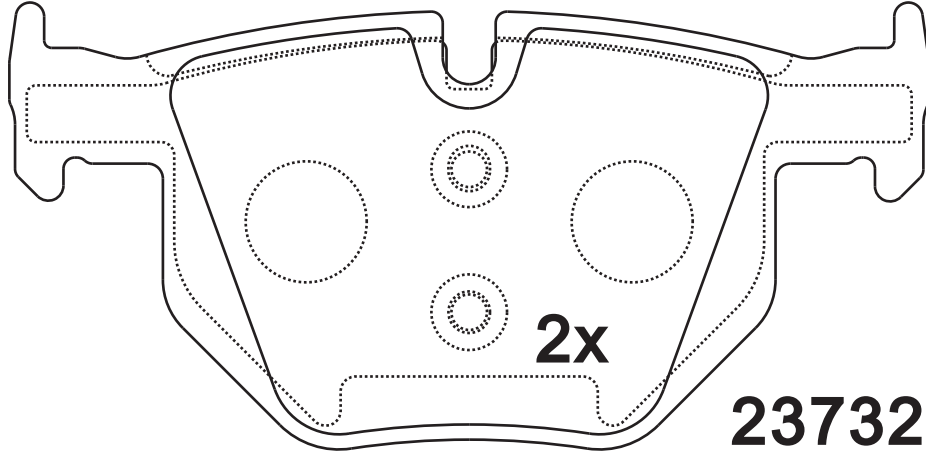


NOTE

**2 identical; 2 identical
with spring.**

121.6×57.9
121.6×59.1

17.3



Apply for:

BMW X5
BMW X6

Closed off-Road
Closed off-Road

02.07-
05.08-

SR0557.02

**Dimension
(mm)**

121.8×59.2/57.8

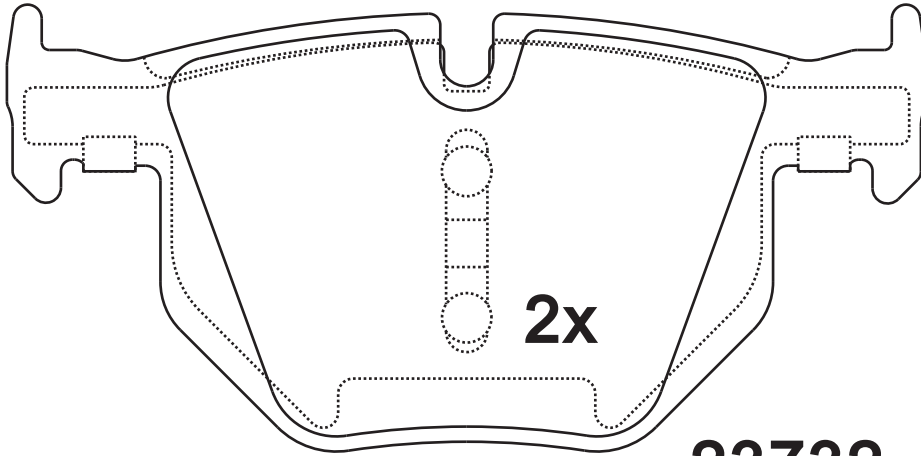
**Thickness
(mm)**

17.3

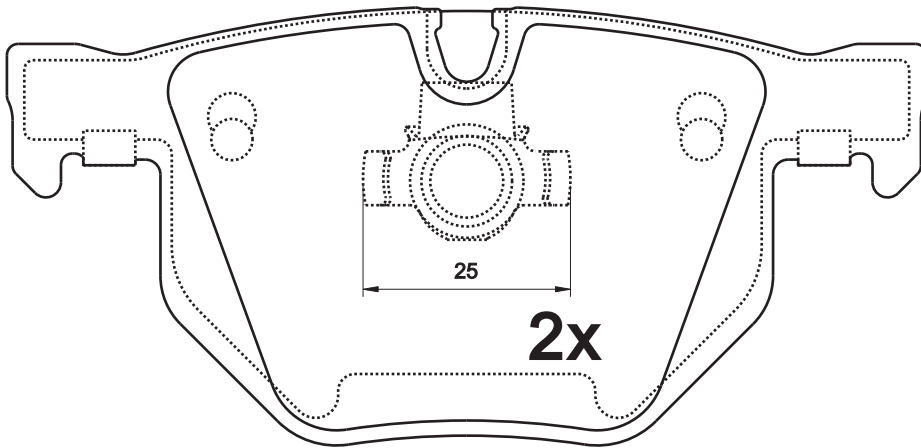


NOTE

**2 identical; 2 identical
with spring.**



23732



23737

Apply for:

BMW 525i Automatic Trans
BMW 525i Manual Trans
BMW 528i xDrive
BMW 530i
BMW 530xi
BMW 535i xDrive
BMW X5 3.0Si
BMW X5 sDrive35i
BMW X5 xDrive35d
BMW X6 xDrive35i

2004-
2004-
2009-2010
2004-2007
2006-2007
2009-2010
2007-2008
2014-
2009-2014
2009-2014

SR0557.03

**Dimension
(mm)**

121.8×59.2/57.8

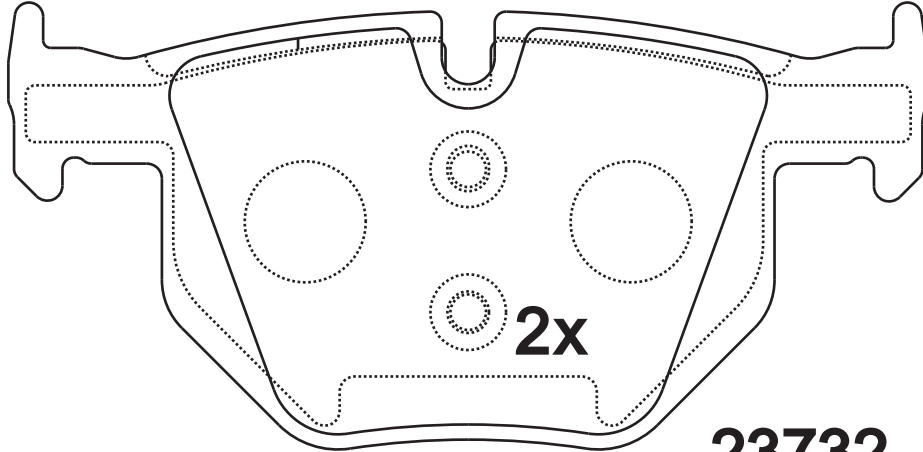
**Thickness
(mm)**

17.3

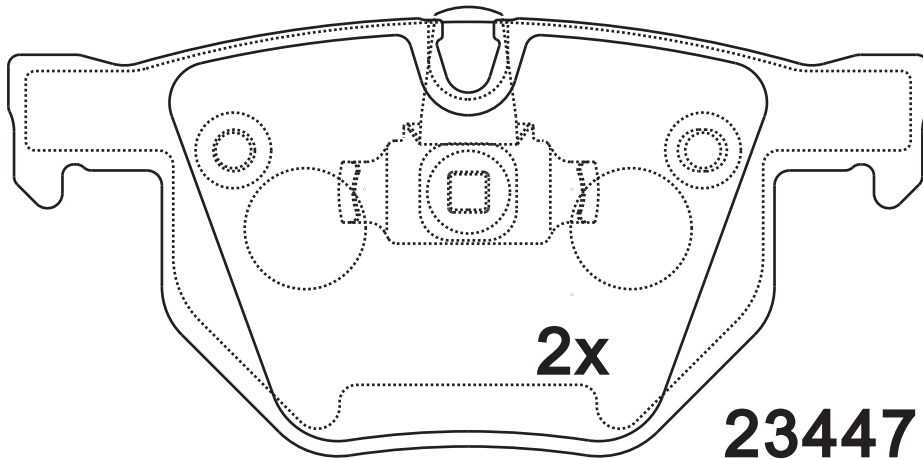


NOTE

**2 identical; 2 identical
with spring.**



23732



23447

Apply for:

BMW X5
BMW X6

Closed off-Road
Closed off-Road

02.07-
05.08-

SR0557

**Dimension
(mm)**

**Thickness
(mm)**



NOTE

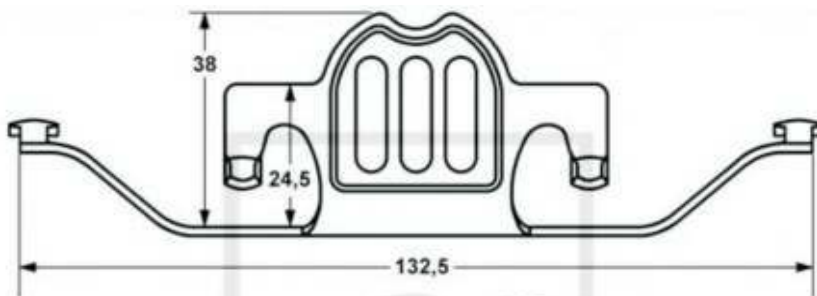
附件包
Accessory bag

1x

98030500

X0102B总长690mm

FJB1X0102B



2x

82072700

DX0063
FJB0557.01

SR0558.01

**Dimension
(mm)**

148.2×61.1

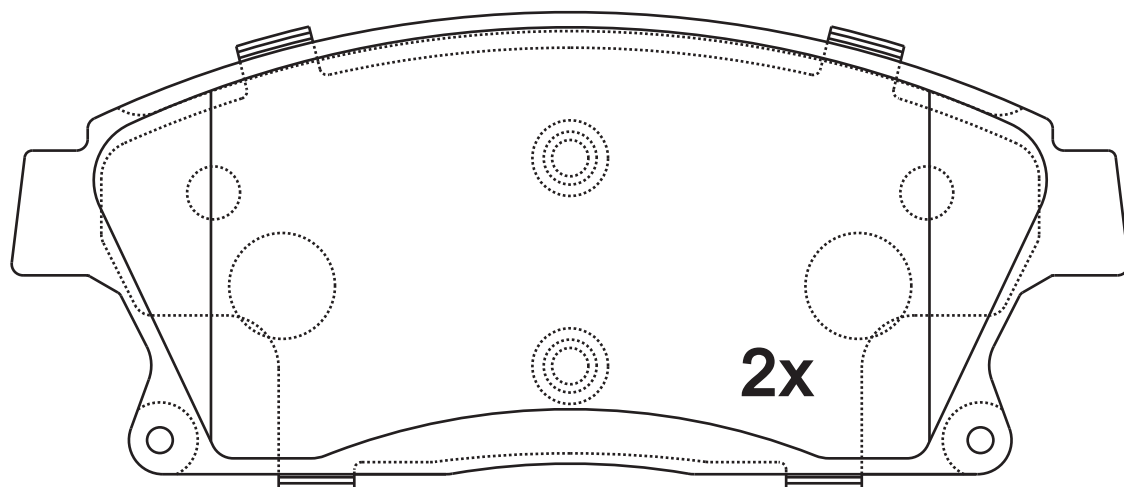
**Thickness
(mm)**

19.1

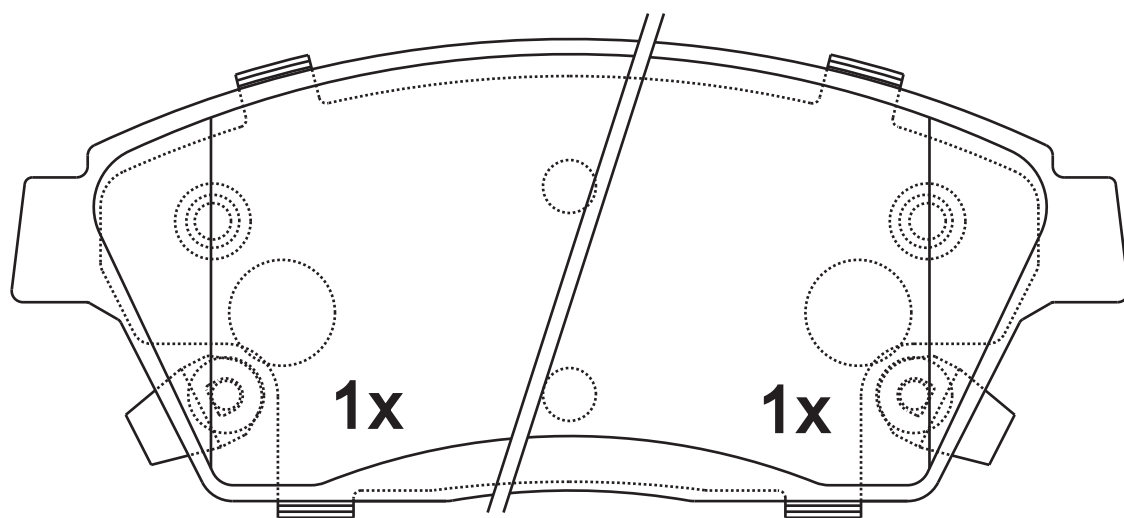


NOTE

2 identical; 2 identical,
1 with acoustic indicator
(left), 1 with acoustic
indicator (right)



25034



25036

25035

Apply for:

Chevrolet Cruze	Saloon	12.12-
Chevrolet Cruze	Hatchback	12.12-
Chevrolet Cruze	Estate	12.12-
Chevrolet Volt	Hatchback	11.11-
Opel Astra J	Hatchback	12.09-
Opel Zafira Tourer C	MPV	10.11-
Buick Excelle	Closed off-Road	10.12-

SR0558

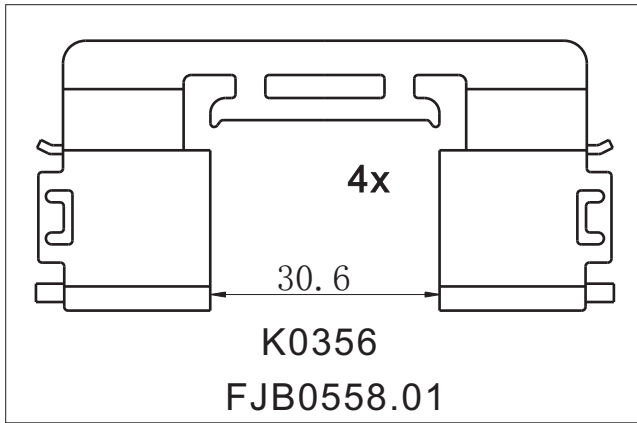
**Dimension
(mm)**

**Thickness
(mm)**





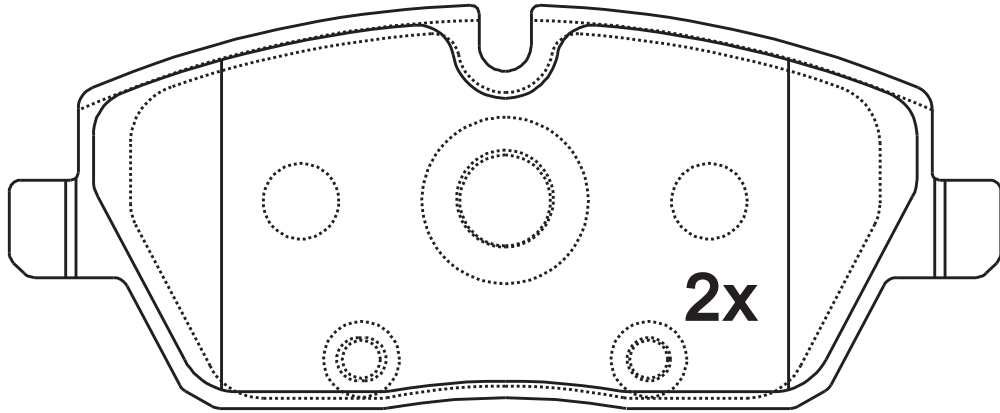
NOTE

**附件包
Accessory bag**

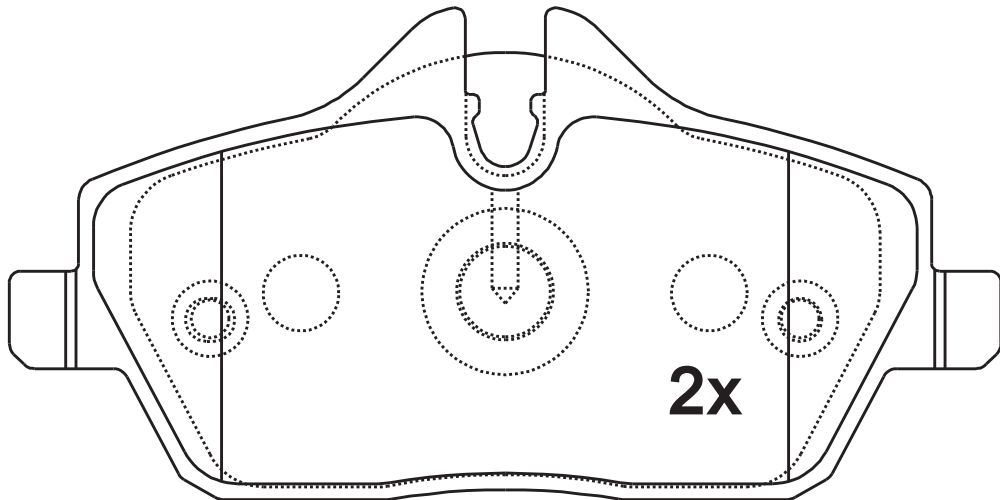


SR0559.01

Dimension (mm)	Thickness (mm)		NOTE
131.1×53.3 131.1×65	17.6		2 identical;2 identical ;



23915



23916

Apply for:

BMW 1	Hatchback	11.03-09.12
BMW 1	Coupe	09.09-
BMW 1	Convertible	03.08-
Mini Mini	Hatchback	10.06-
Mini Mini	Convertible	03.09-
Mini Mini	Estate	10.07-

SR0559.02

**Dimension
(mm)**

**Thickness
(mm)**

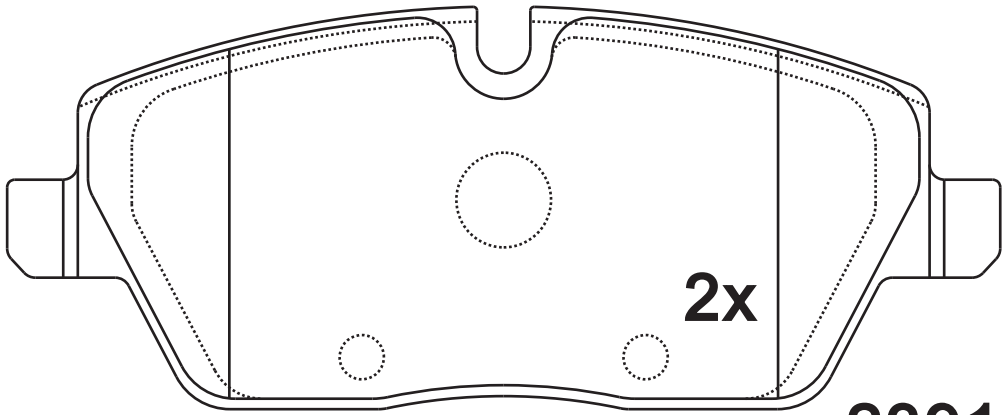


NOTE

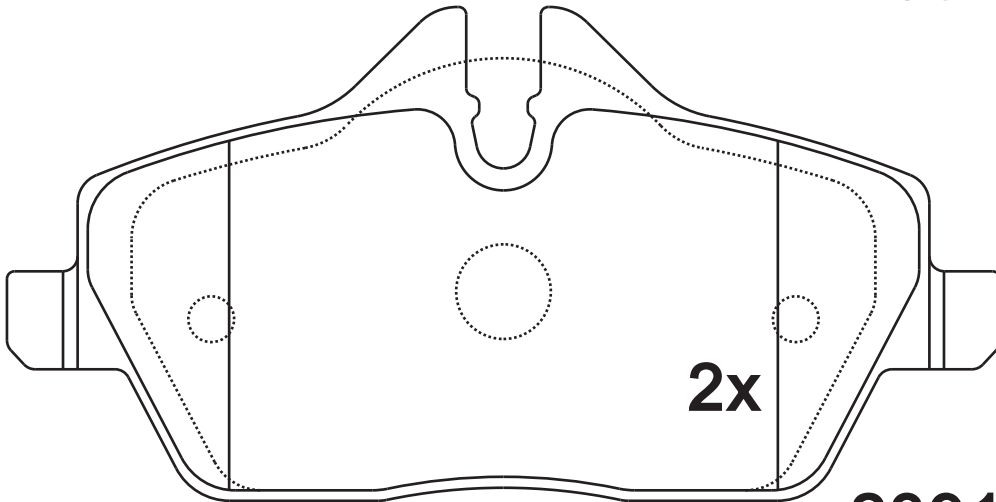
2 identical;2 identical ;

131.1×53.3
131.1×65

14.5




23915

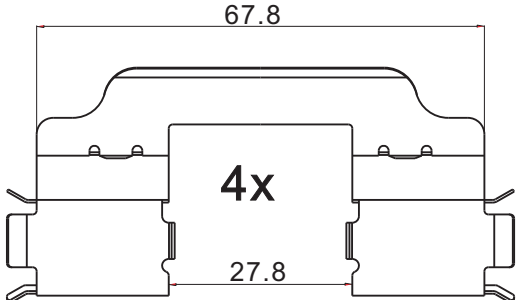


23916

Apply for:

BMW 1	Hatchback	11.03-09.12
BMW 1	Coupe	09.09-
BMW 1	Convertible	03.08-
Mini Mini	Hatchback	10.06-
Mini Mini	Convertible	03.09-
Mini Mini	Estate	10.07-

SR0559	Dimension (mm)	Thickness (mm)		NOTE


67.8

4x

27.8

K0320(同K0159)

FJB0344.01(同FJB0651.01)

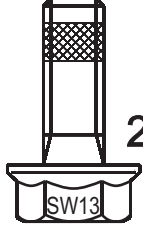


2x

SW13

M8×21

L0010



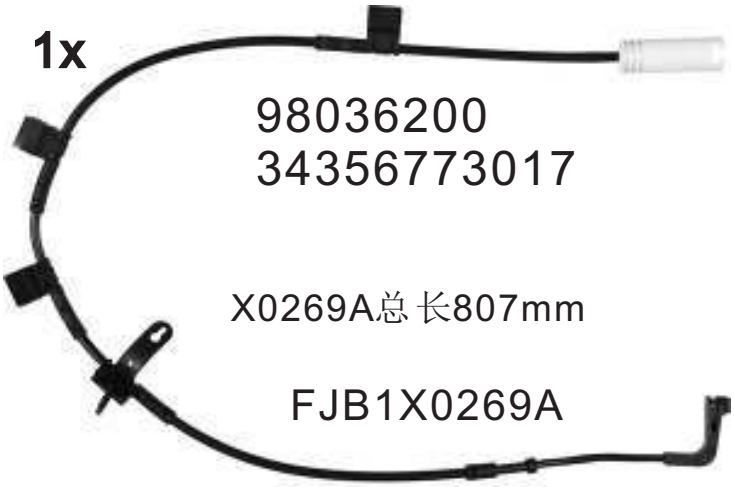
2x

SW13

M8X22

L0020

FJB0621.01



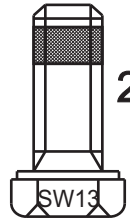
1x

98036200

34356773017

X0269A总长807mm

FJB1X0269A



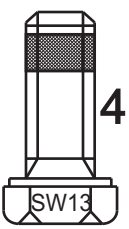
2x

SW13

M8×21

L0010

FJB0003.01



4x

SW13

M8×21

L0010

FJB0025.01



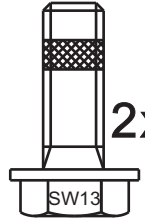
1x

X0203A总长680mm

98036200

34356799329

FJB1X0203A



2x

SW13

M8X22

L0035

L0045

M8X1.25X22

FJB0559.01



2x

X0208A总长850mm

FJB2X0208A

SR0560.01

**Dimension
(mm)**

**Thickness
(mm)**

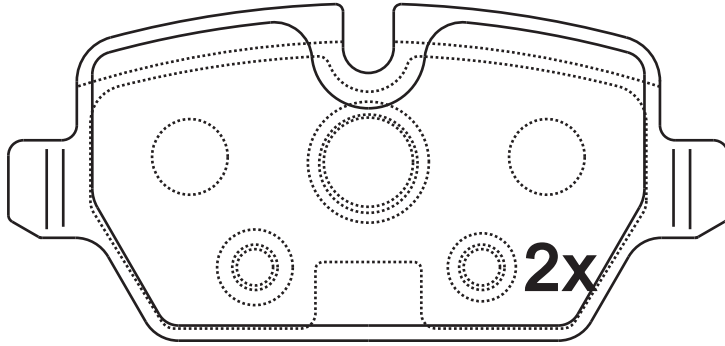


NOTE

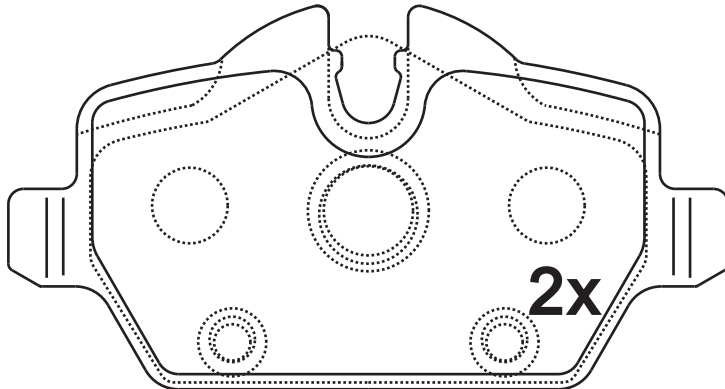
2 identical;2 identical ;

95.2×44.5
95.2×50.7

17.4



23623



23624

Apply for:

BMW 1
BMW 3

Hatchback
Saloon

11.03-09.12
01.06-12.11

SR0560.02

**Dimension
(mm)**

**Thickness
(mm)**

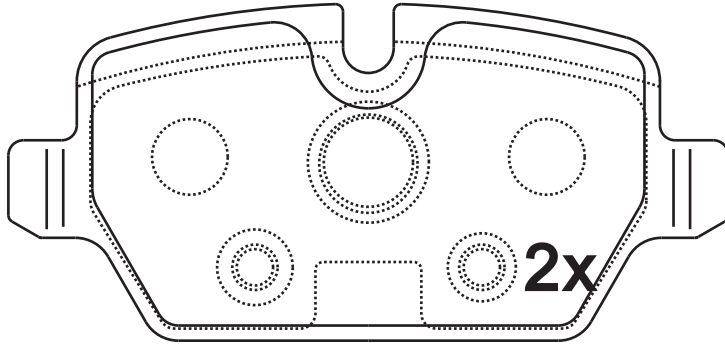


NOTE

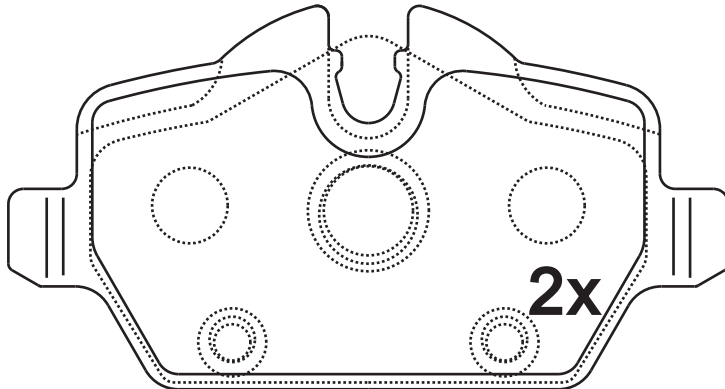
2 identical;2 identical ;

95.2×44.5
95.2×50.7

16.8



23623



23624

Apply for:

BMW 1
BMW 3

Hatchback
Saloon

11.03-09.12
01.06-12.11

SR0560

**Dimension
(mm)**

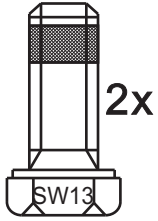
**Thickness
(mm)**



NOTE

附件包

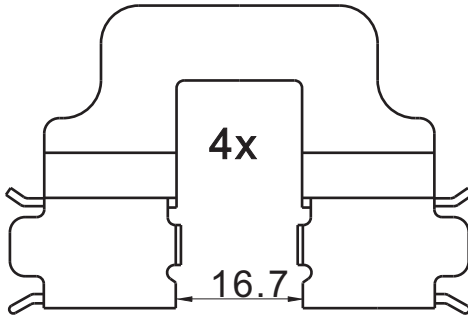
Accessory bag



2x

M8×21

L0010



DX0002

FJB0560.01

2x



34356762253

X0121A

总长1095mm

FJB2X0121A

1x



98044700

X0227A 总长960mm



FJB1X0227A



SR0561.01

**Dimension
(mm)**

106×56
106×62.2

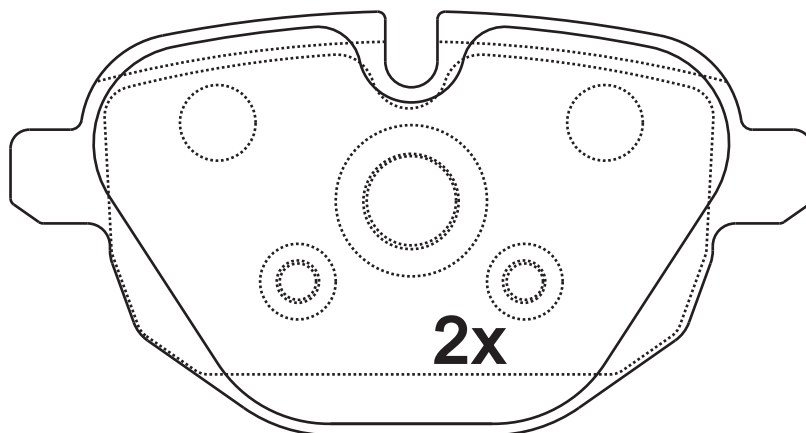
**Thickness
(mm)**

17.7

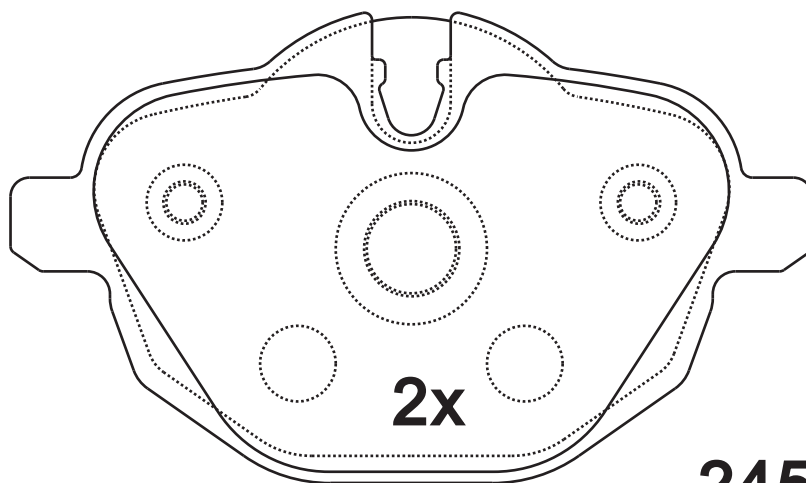


NOTE

2 identical;2 identical ;



24561



24562

Apply for:

BMW 5	Saloon	03.10-
BMW 5	Estate	09.10-
BMW i8	Coupe	03.14-
BMW X3	Closed off-Road	09.10-
BMW X4	Closed off-Road	04.14-
BMW Z3	Closed off-Road	05.09-

SR0561

**Dimension
(mm)**

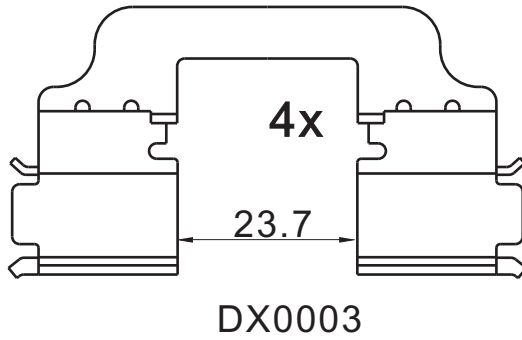
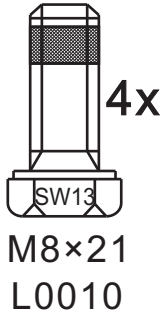
**Thickness
(mm)**



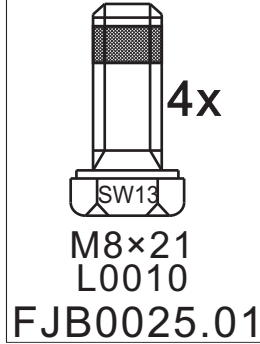
NOTE

附件包

Accessory bag



FJB0561.01



1x



FJB1X0106A

1x



FJB1X0127A

1x



FJB1X0109A

2x



FJB2X0102B

SR0562.01

**Dimension
(mm)**

120.8×38.9

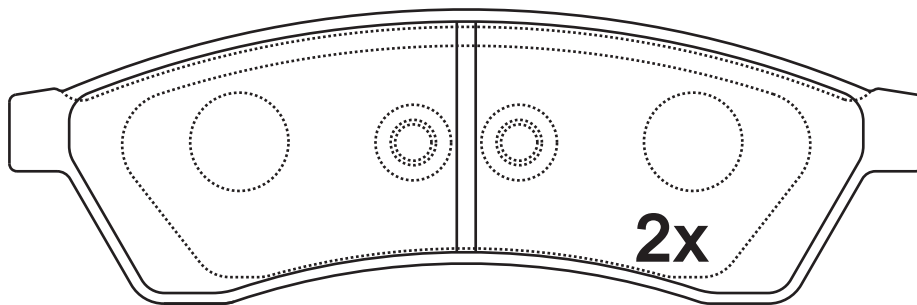
**Thickness
(mm)**

14.7

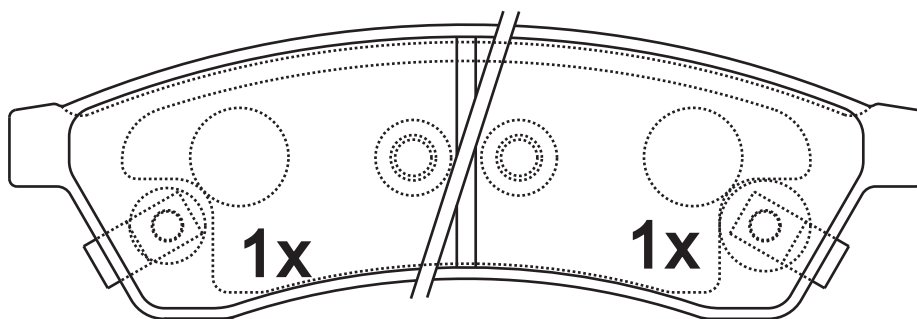


NOTE

4 identical, 1 with acoustic indicator (left), 1 with acoustic indicator (right).



24744



24746

24745

Apply for:

Chevrolet Epic

Saloon

08.06-

SR0563.01

**Dimension
(mm)**

85.1×39.4
105.4×35.1

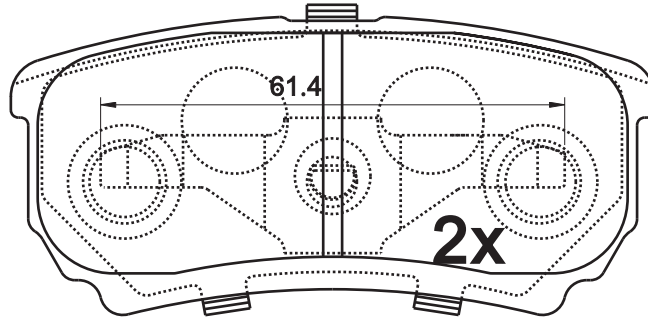
**Thickness
(mm)**

16

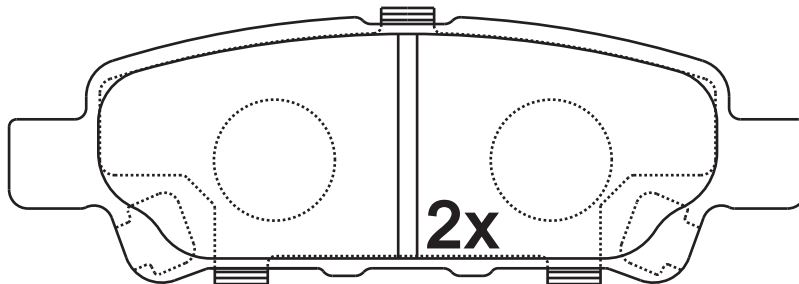


NOTE

2 identical; 2 identical ;



24014



24015

Apply for:

Chrysler Sebring	Saloon	07.07-12.10
Jeep Compass	Closed off-Road	08.06-
Mitsubishi Lancer	Saloon	09.03-
Mitsubishi Lancer	Estate	09.03-10.08
Mitsubishi Lancer	Hatchback	06.08-
Mitsubishi Outlander I	Closed off-Road	01.02-10.06
Mitsubishi Outlander II	Closed off-Road	11.06-11.12

SR0564.01

**Dimension
(mm)**

172.4×67.4
170.4×67.4

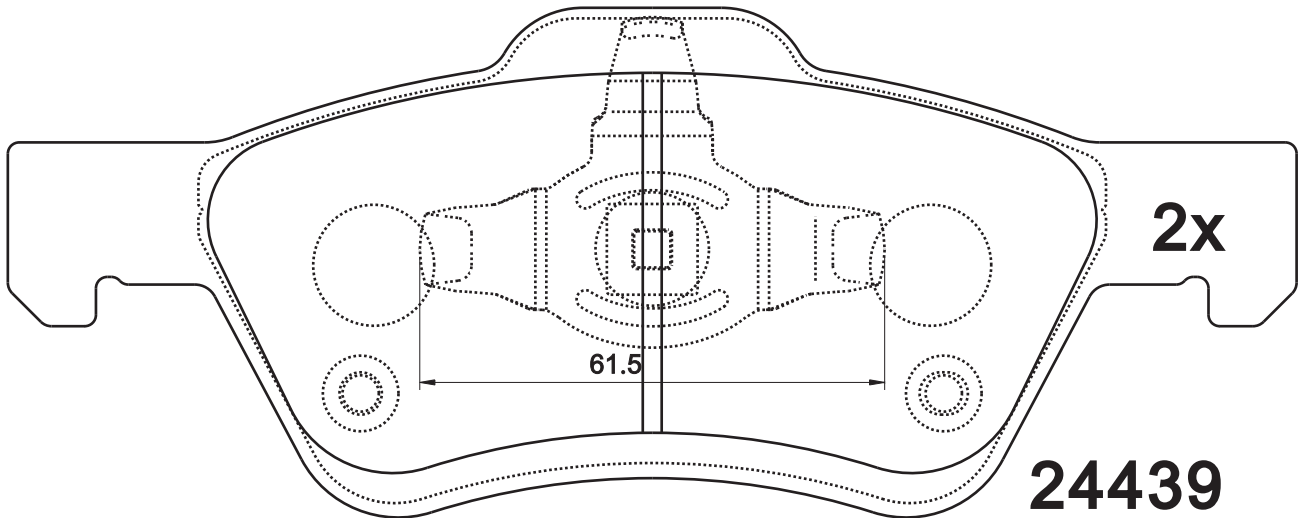
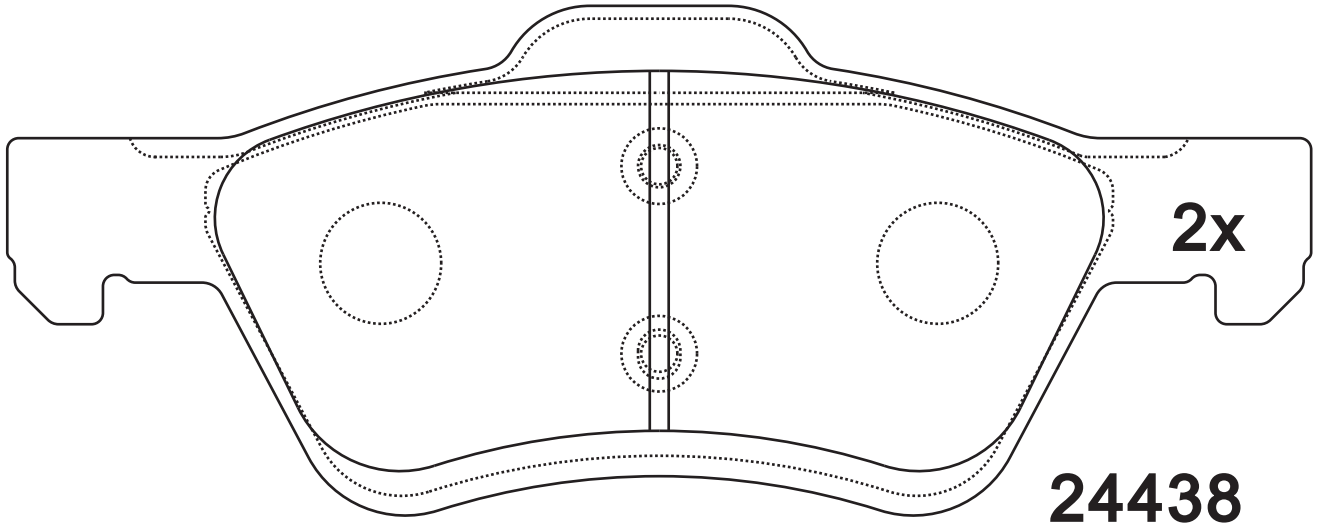
**Thickness
(mm)**

16.1



NOTE

**2 identical;2 identical
with spring.**



Apply for:

Ford Maverick
Mazda Tribute

Closed off-Road
Closed off-Road

02.01-
03.00-05.08

SR0565.01

**Dimension
(mm)**

78.3×54.1

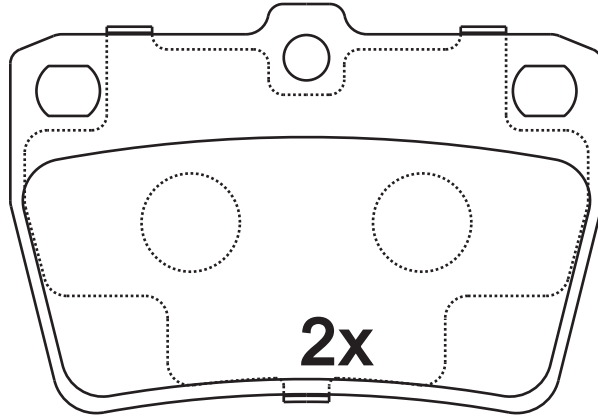
**Thickness
(mm)**

14

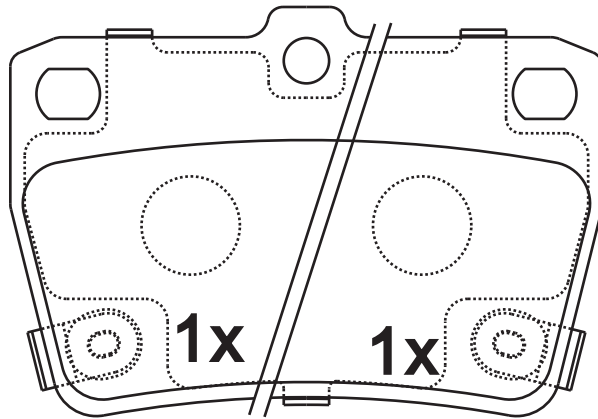


NOTE

4 identical, 1 with acoustic indicator (left), 1 with acoustic indicator (right).



23656



23657

23658

Apply for:

Toyota RAV 4 II
Ford Maverick

Closed off-Road
Closed off-Road

03.05-
02.01-

SR0566.01

**Dimension
(mm)**

145.9×54.6

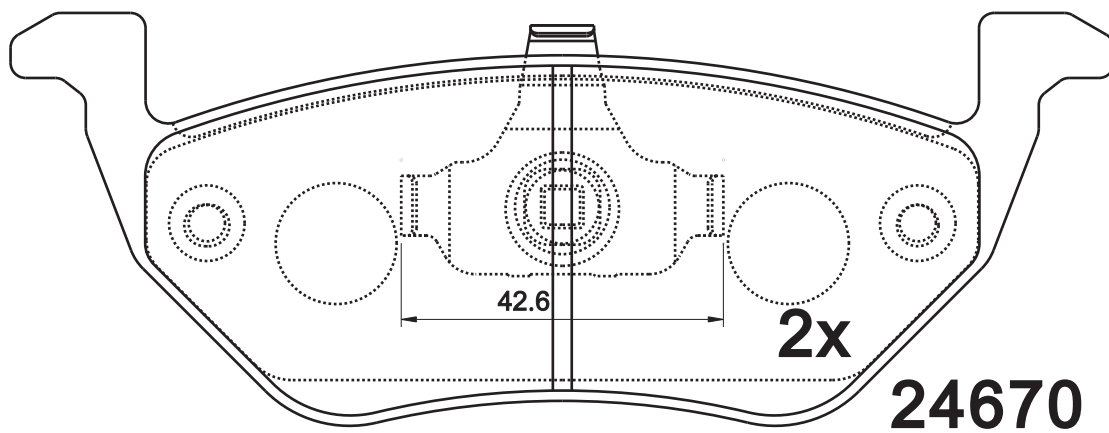
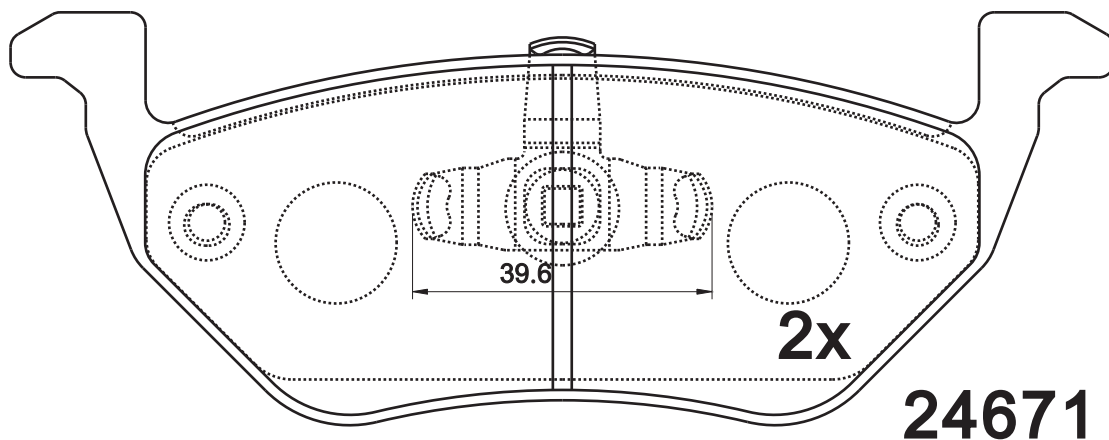
**Thickness
(mm)**

18



NOTE

**2 identical with spring;
2 identical with spring**



Apply for:

Ford Maverick
Mazda Tribute

Closed off-Road
Closed off-Road

02.01-
04.04-05.08

SR0566.02

**Dimension
(mm)**

146×52.4

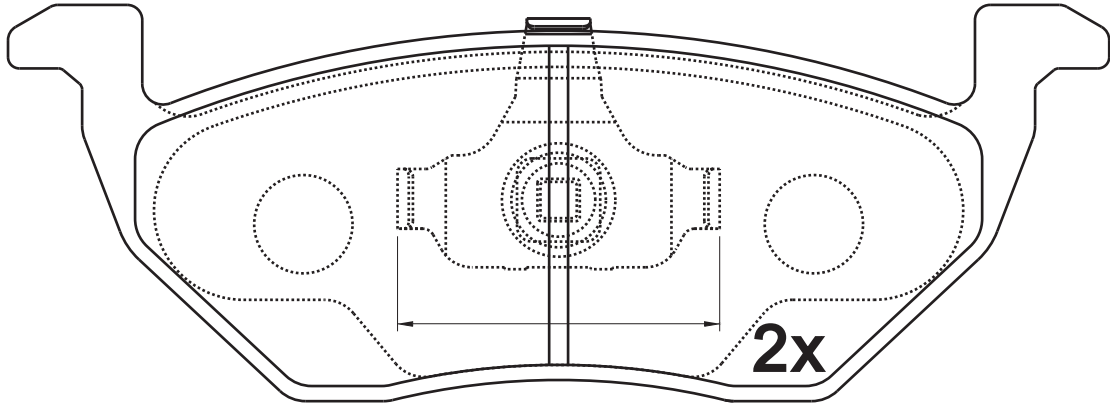
**Thickness
(mm)**

17.3

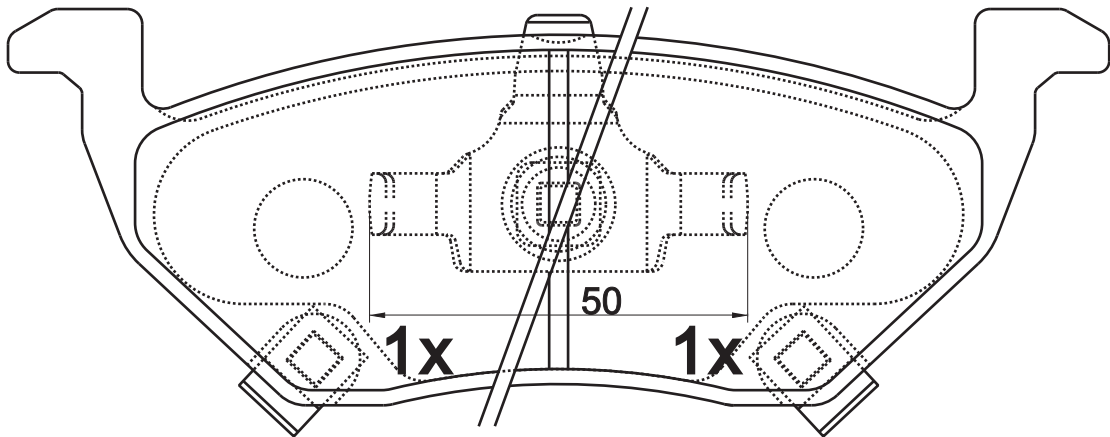


NOTE

**2 identical with spring;
2 identical with spring**



D2030



Apply for:

Mg (Saic) Gt
Roewe (Saic)

2014/11-
360 2015/09-

SR0567.01

**Dimension
(mm)**

**Thickness
(mm)**

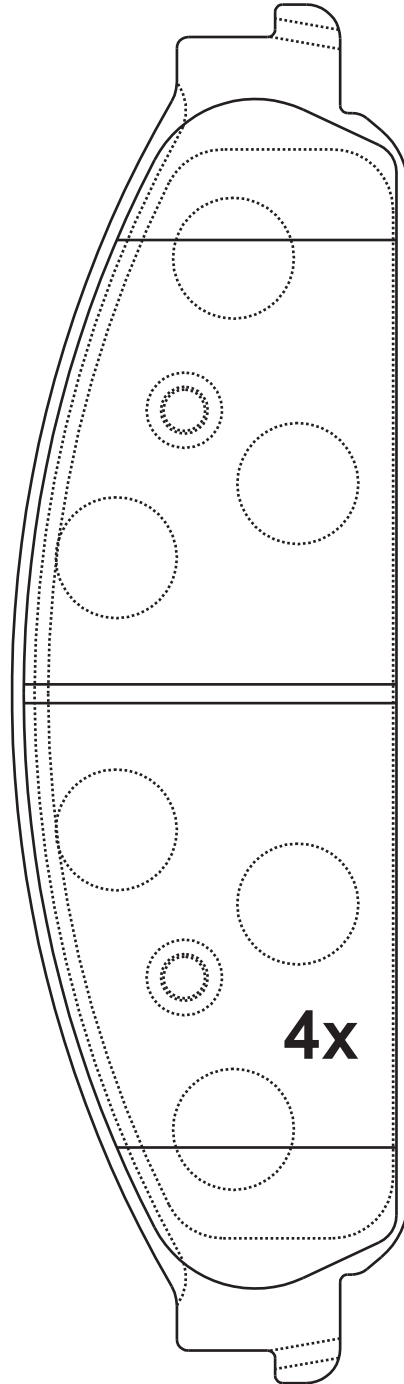


NOTE

4 identical ;

182.3×52.4

17.4



24580

Apply for:

Ford Mondeo

Saloon

2005-2007

SR0568.01

**Dimension
(mm)**

131.7×51.8

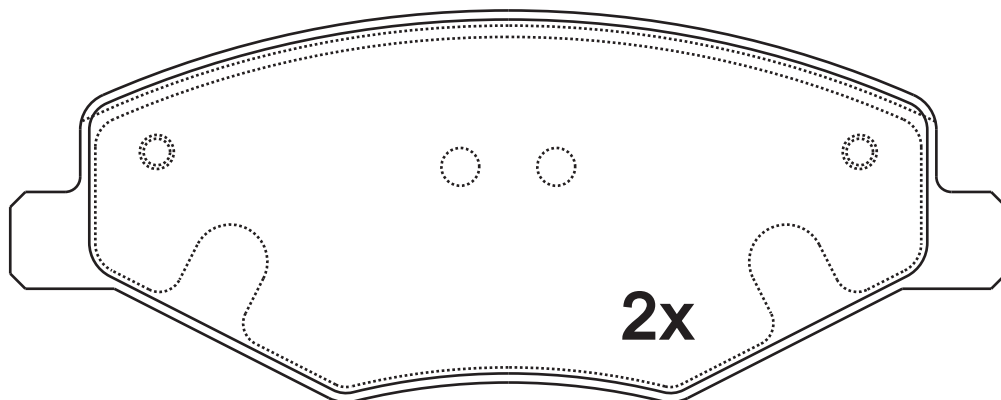
**Thickness
(mm)**

15.7

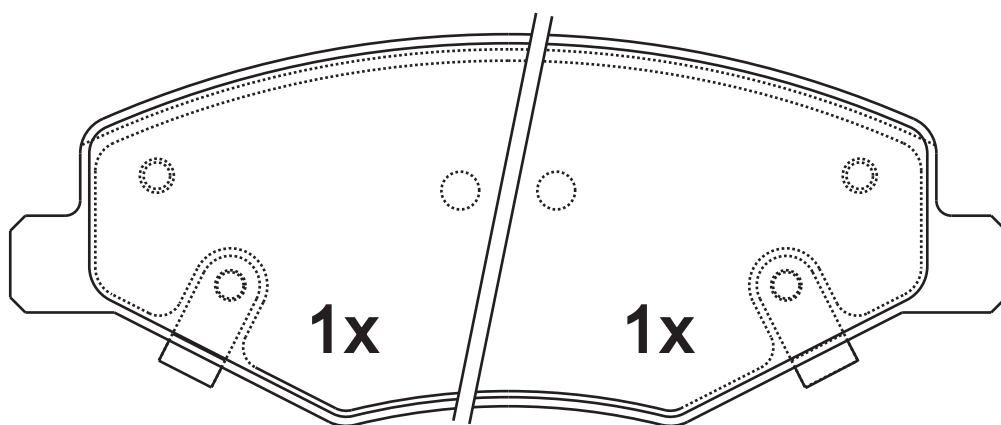


NOTE

**4 identical, 1 with
acoustic indicator (left),
1 with acoustic indicator
(right).**



GDB7812



Apply for:

Chery Qiyun

2004-2012

SR0569.01

**Dimension
(mm)**

**Thickness
(mm)**

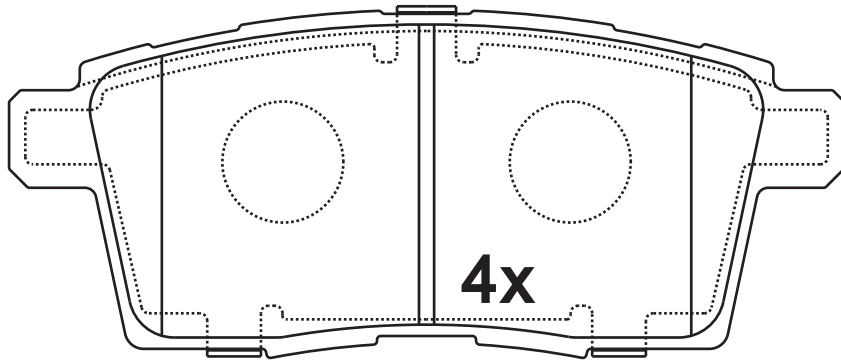


NOTE

4 identical;

110.4×45.9

17



24545

Apply for:

Ford Edge
Mazda CX-7
Mazda CX-9

Closed off-Road
Closed off-Road
Closed off-Road

09.11-
10.07-
01.07-

SR0570.01

**Dimension
(mm)**

156.3×72.9
155.1×72.9

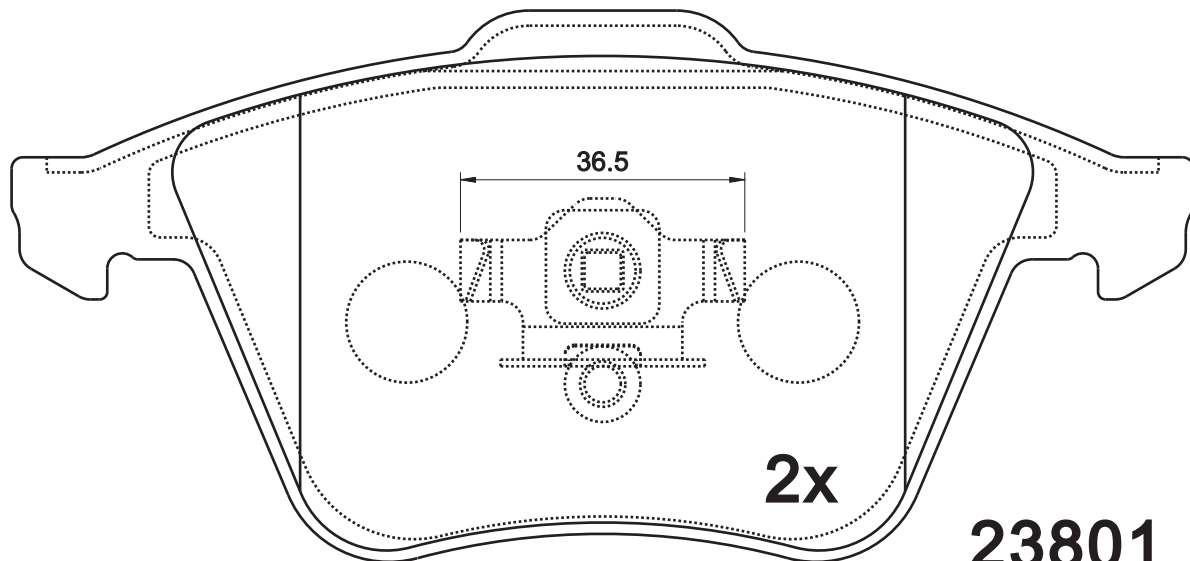
**Thickness
(mm)**

20.3

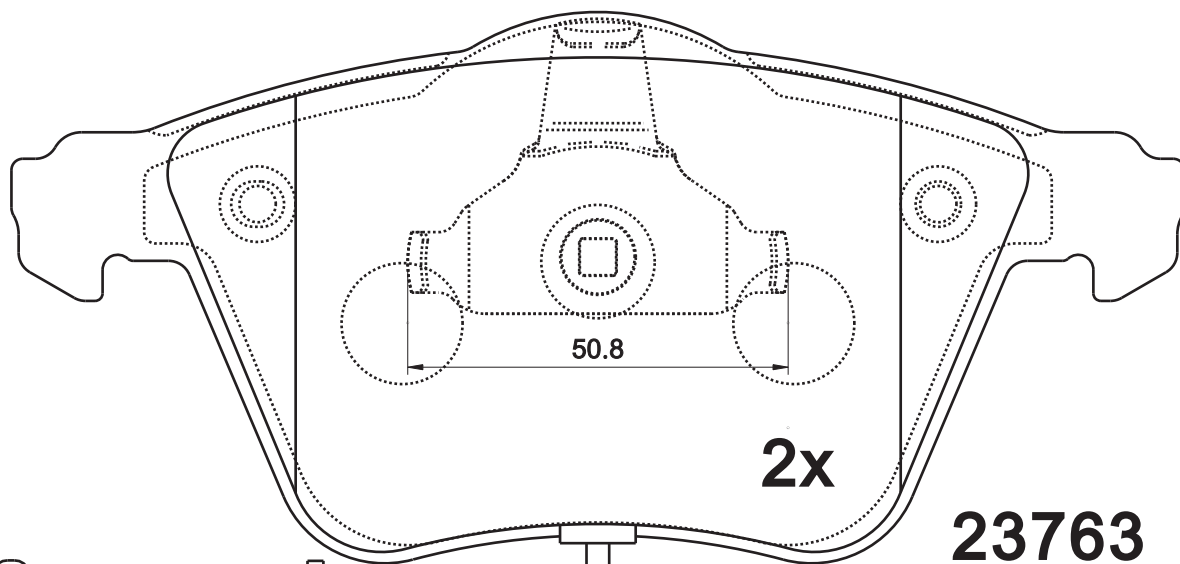


NOTE

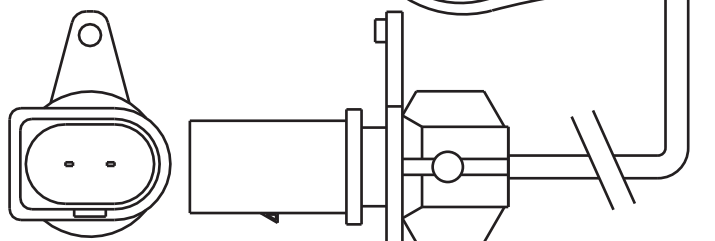
**2 identical with spring;
2 identical with spring
and warn indicator:
242.5mm.**



23801



23763



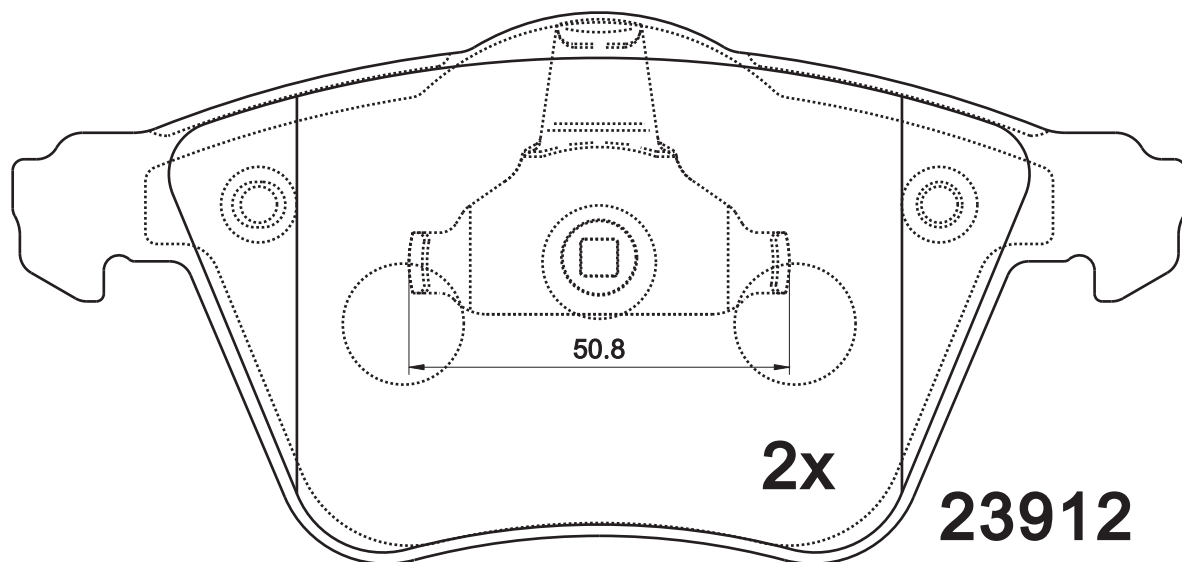
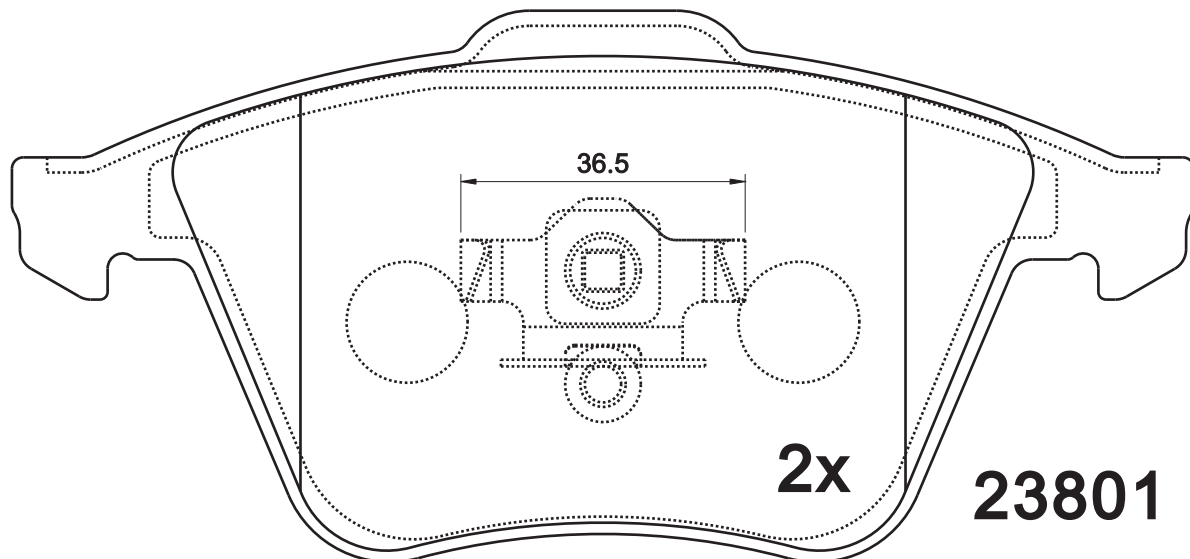
X0014B 总长254.5mm

Apply for:

Audi A4	Convertible	07.02-03.09
Audi A4	Saloon	11.04-06.08
Audi A4	Eatate	11.04-06.08
Audi A6	Saloon	05.04-03.11
Audi A6	Eatate	03.05-08.11
Audi A8	Saloon	10.02-07.10

SR0570.02**Dimension
(mm)**156.3×72.9
155.1×72.9**Thickness
(mm)**

18.8

**NOTE****2 identical with spring;
2 identical with spring
and warn indicator:
242.5mm.****Apply for:**

Audi A4	Convertible	07.02-03.09
Audi A4	Saloon	11.04-06.08
Audi A4	Eatate	11.04-06.08
Audi A6	Saloon	05.04-03.11
Audi A6	Eatate	03.05-08.11
Audi A8	Saloon	10.02-07.10

SR0570.03

**Dimension
(mm)**

156.3×72.9
155.1×72.9

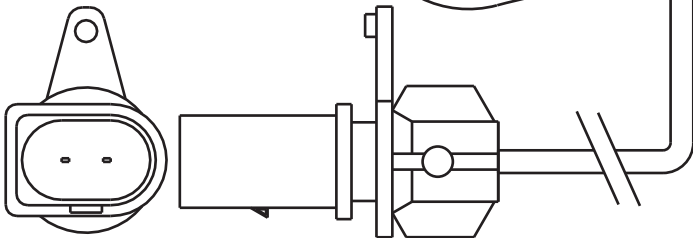
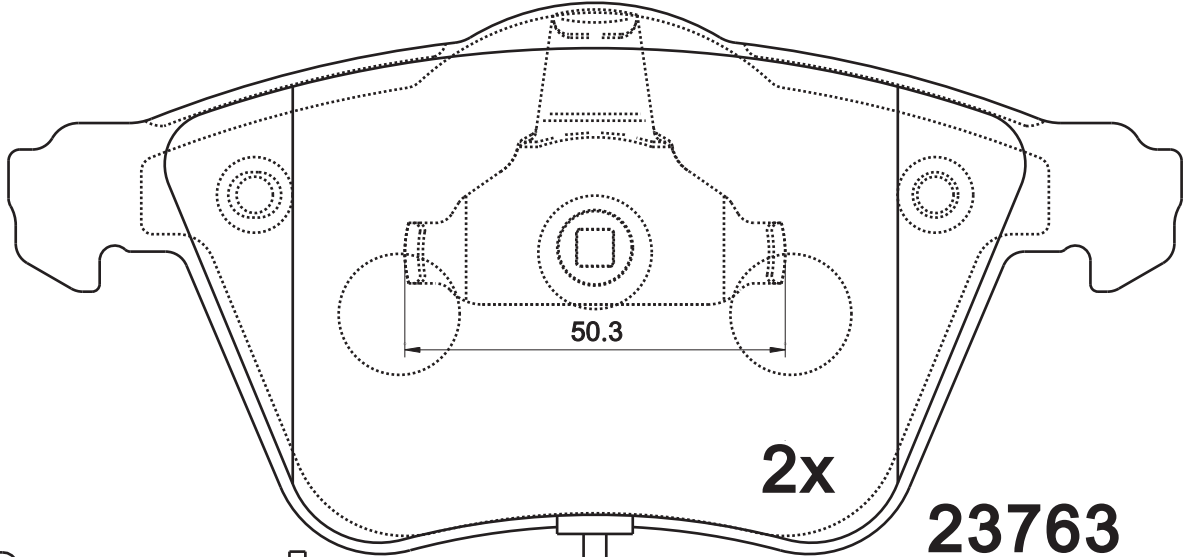
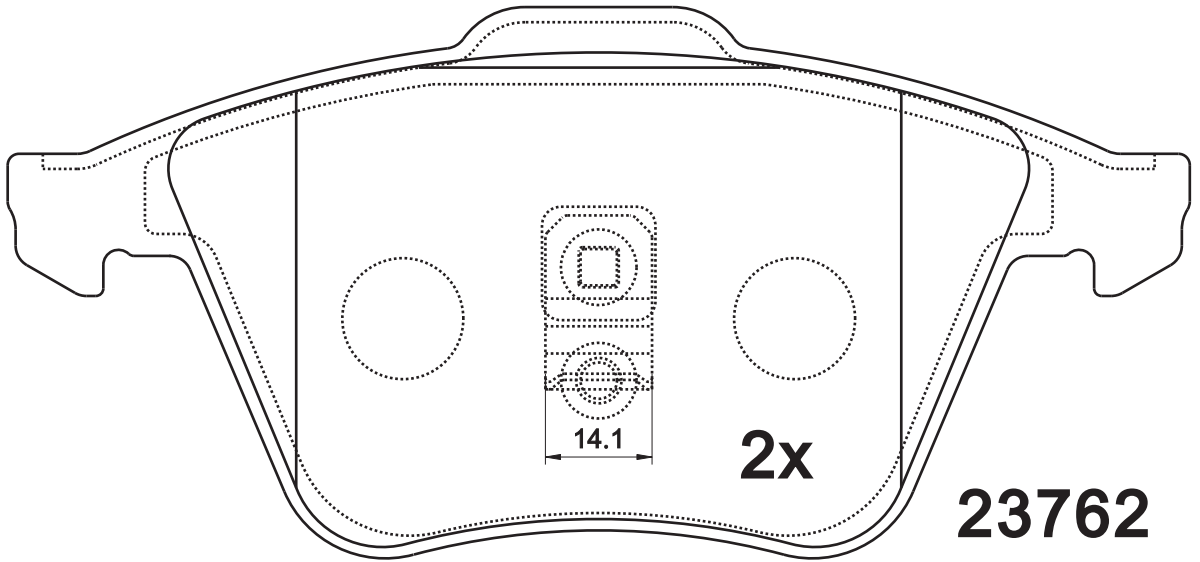
**Thickness
(mm)**

20.3



NOTE

**2 identical with spring;
2 identical with spring
and warn indicator:
200mm.**



X0014A 总长217mm

Apply for:

- | | |
|------------------------------|-----------|
| Audi A6 Quattro | 2005-2006 |
| Audi A6 Quattro 320mm Rotors | 2002-2004 |
| Audi Allroad Quattro | 2003-2005 |
| Audi S6 | 2004- |
| Volkswagen CC V6 | 2012- |
| Volkswagen Passat 3.6 L | 2006-2008 |
| Volkswagen Passat CC | 2010- |

SR0570.04

**Dimension
(mm)**

156.3×72.9
155.1×72.9

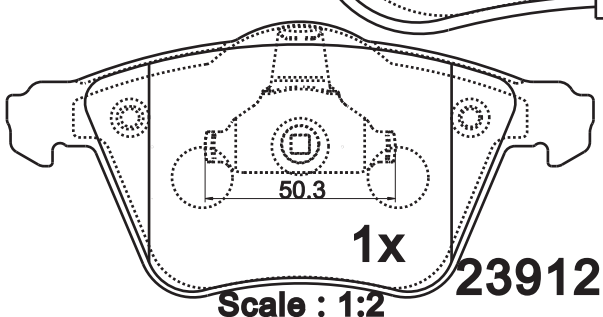
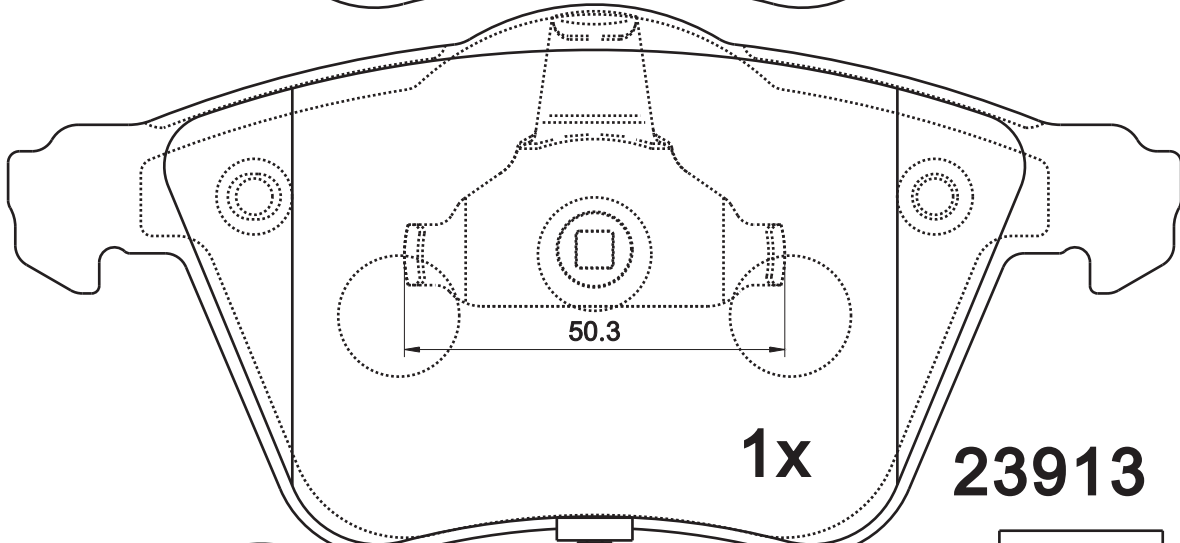
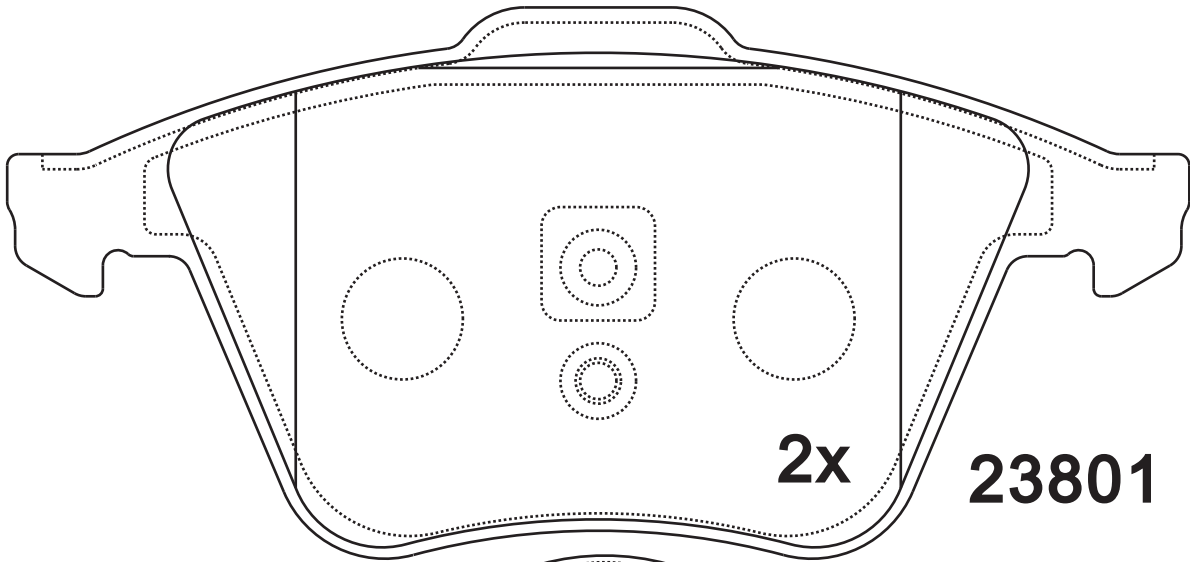
**Thickness
(mm)**

20.3

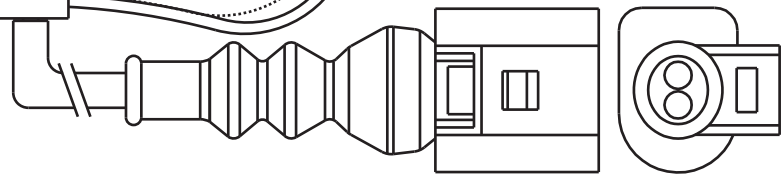


NOTE

**2 identical with spring;
2 identical with spring
and warn indicator:
200mm.**



Scale : 1:2



X0007E 总长208mm

Apply for:

- | | |
|---------------------------|-----------|
| Audi A6 | 2002-2004 |
| Audi A6 Quattro | 2005-2006 |
| Audi Allroad Quattro | 2003-2005 |
| Audi S4 | 2004-2009 |
| Volkswagen CC V6 | 2012- |
| Volkswagen CC VR6 4Motion | 2009-2011 |
| Volkswagen Passat 3.6 L | 2006-2008 |
| Volkswagen Passat CC | 2010- |
| Volkswagen R32 | 2008- |

版次: A/3

SR0570.05

**Dimension
(mm)**

156.3×72.9
155.1×72.9

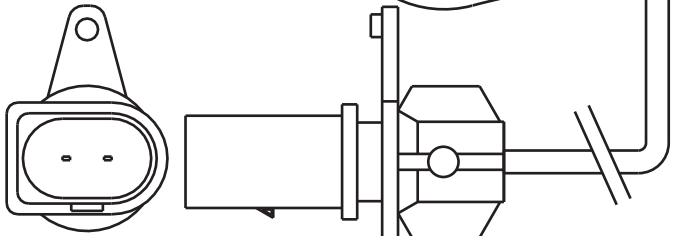
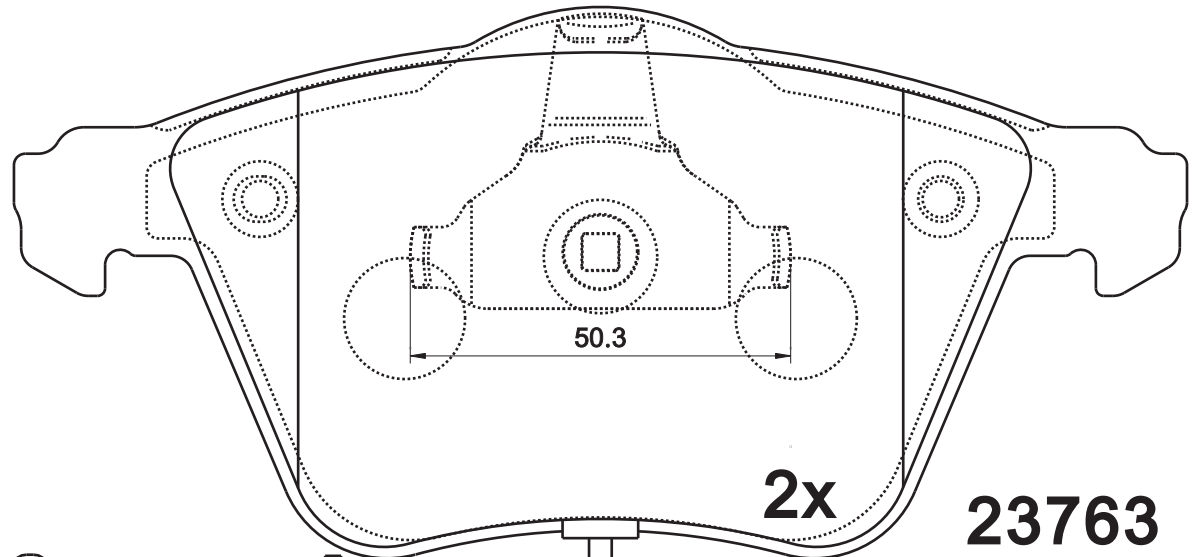
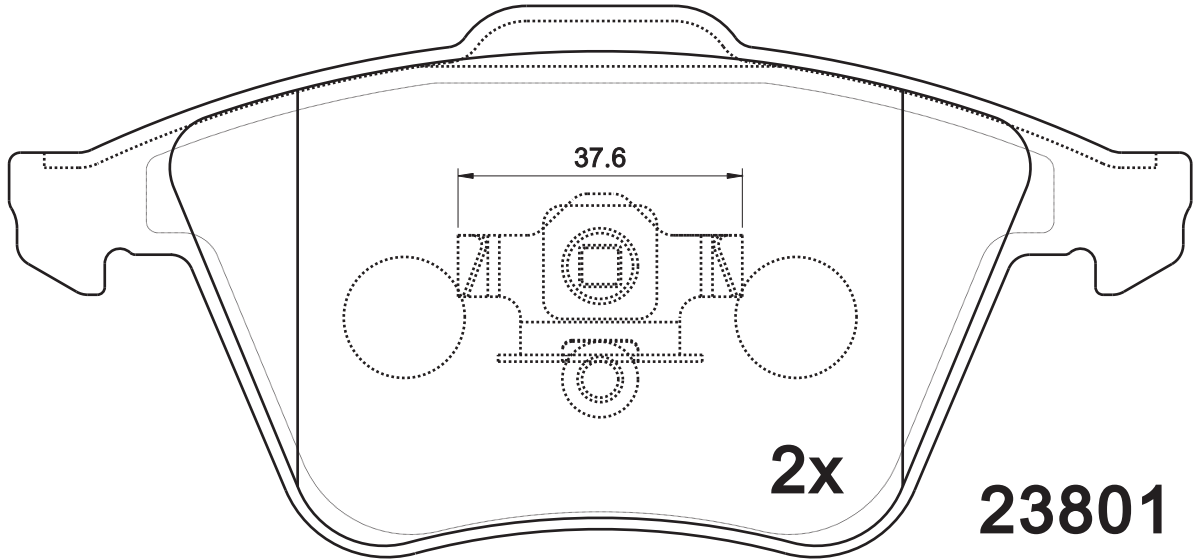
**Thickness
(mm)**

20.3



NOTE

**2 identical with spring;
2 identical with spring
and warn indicator:
270mm.**



X0014F 总长300mm

Apply for:

Audi A4	Convertible	07.02-03.09
Audi A4	Saloon	11.04-06.08
Audi A4	Eatate	11.04-06.08
Audi A6	Saloon	05.04-03.11
Audi A6	Eatate	03.05-08.11
Audi A8	Saloon	10.02-07.10

SR0570.06

**Dimension
(mm)**

155.1/156.3×72.9

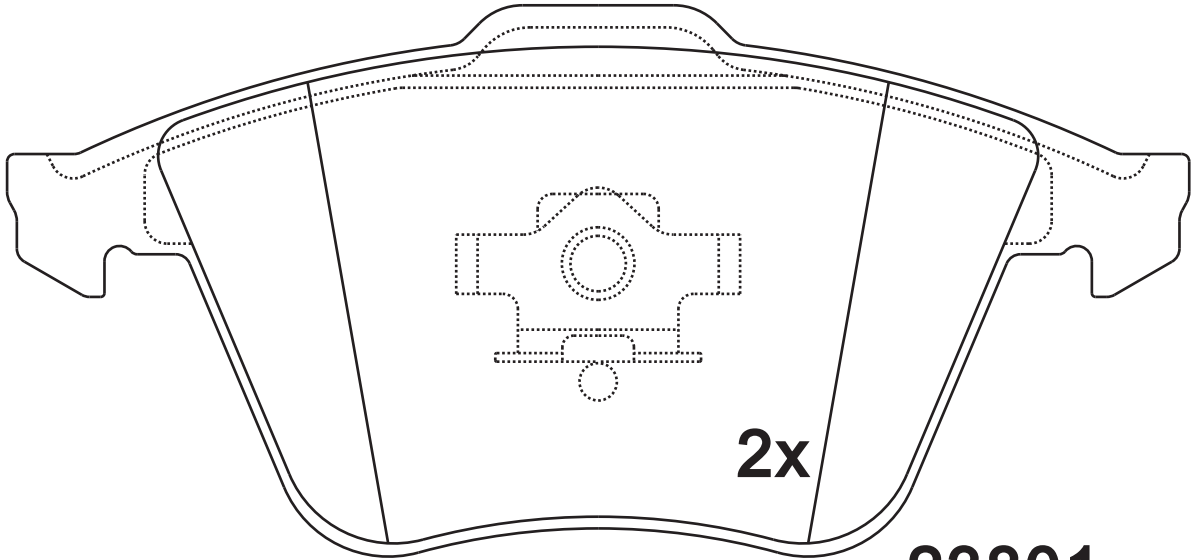
**Thickness
(mm)**

20.3

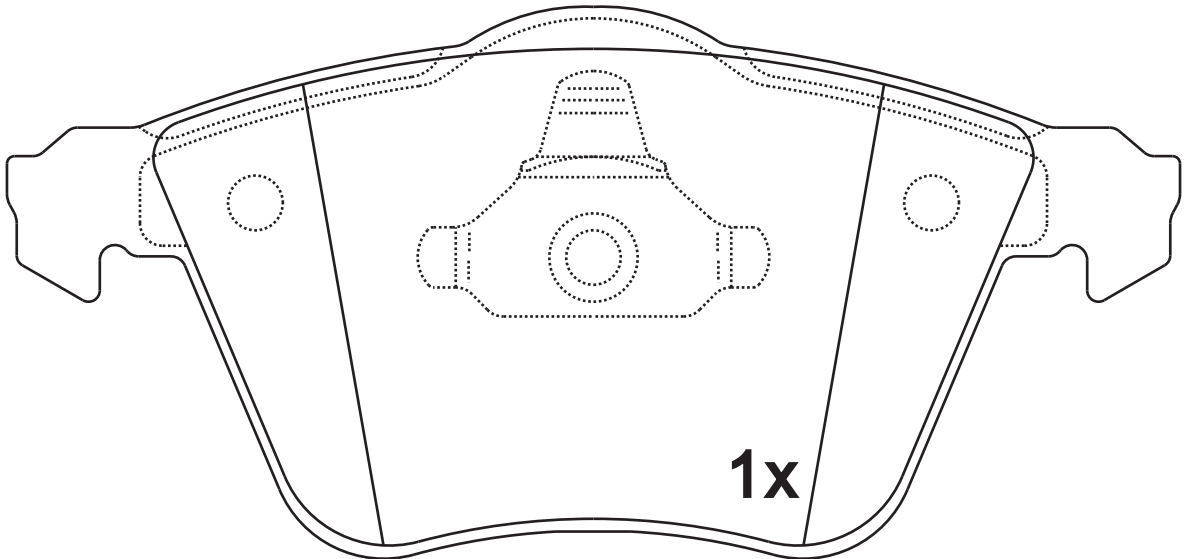


NOTE

**2 identical with spring;
2 identical with spring
and warn indicator:
270mm.**



23801



Next Page.....

SR0570.06

**Dimension
(mm)**

**Thickness
(mm)**

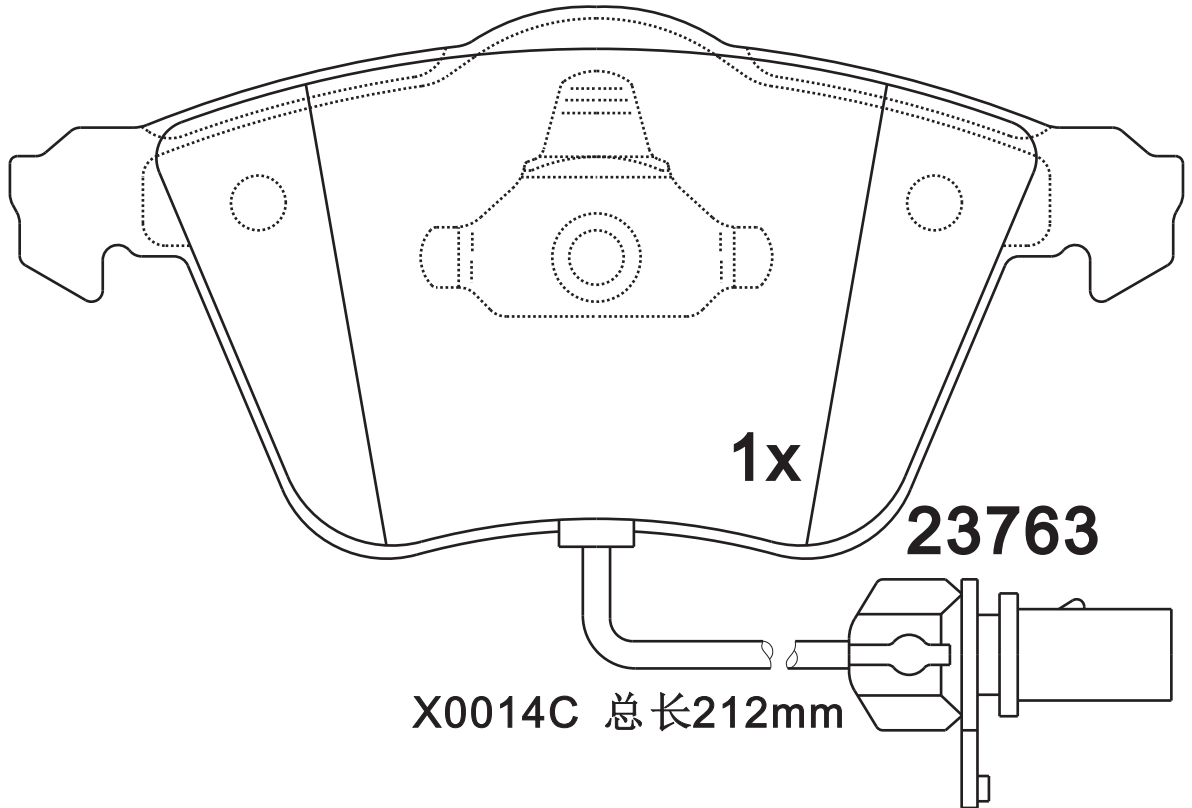


NOTE

**2 identical with spring;
2 identical with spring,
1 warn indicator:270mm.**

155.1/156.3×72.9

20.3



Apply for:

Audi A4	Convertible	07.02-03.09
Audi A4	Saloon	11.04-06.08
Audi A4	Eatate	11.04-06.08
Audi A6	Saloon	05.04-03.11
Audi A6	Eatate	03.05-08.11
Audi A8	Saloon	10.02-07.10

SR0570.07

**Dimension
(mm)**

156.3×72.9
155.1×72.9

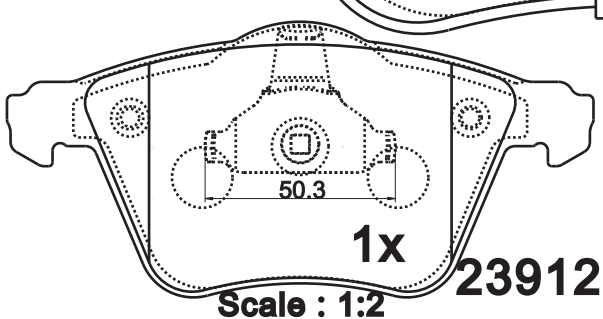
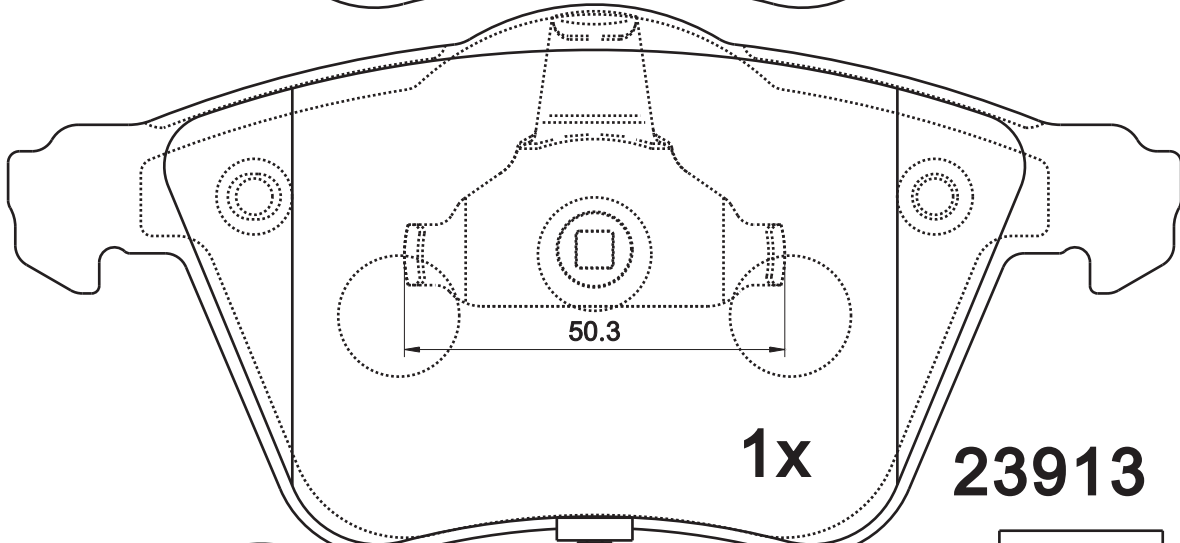
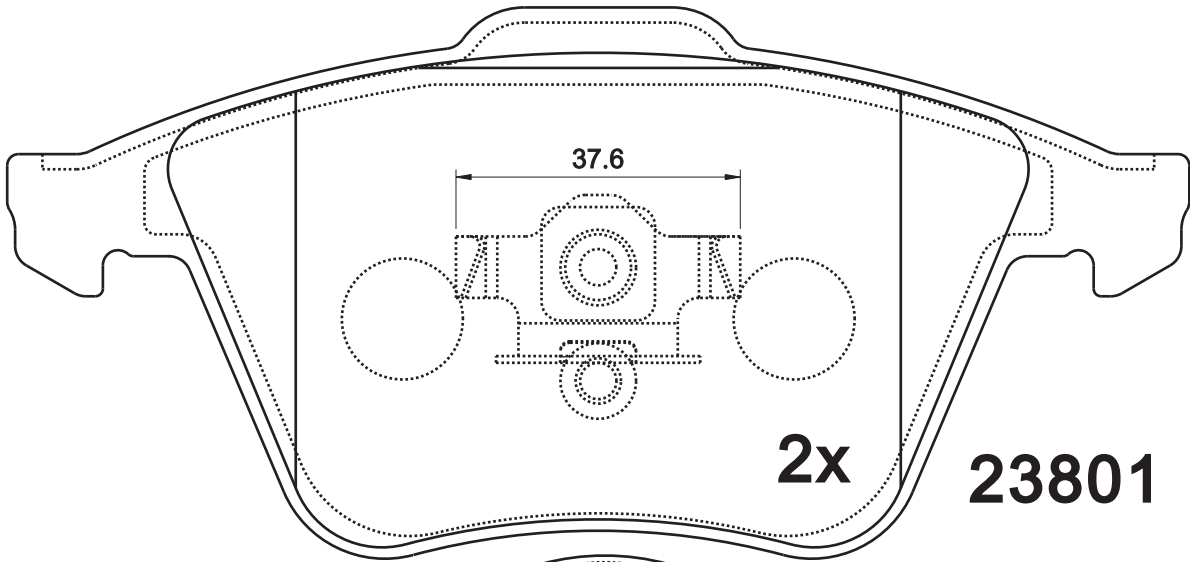
**Thickness
(mm)**

20.3

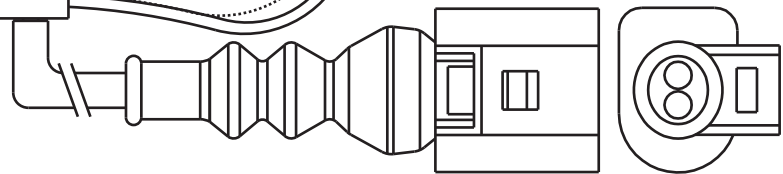


NOTE

**2 identical with spring;
2 identical with spring
and warn indicator:
200mm.**



Scale : 1:2



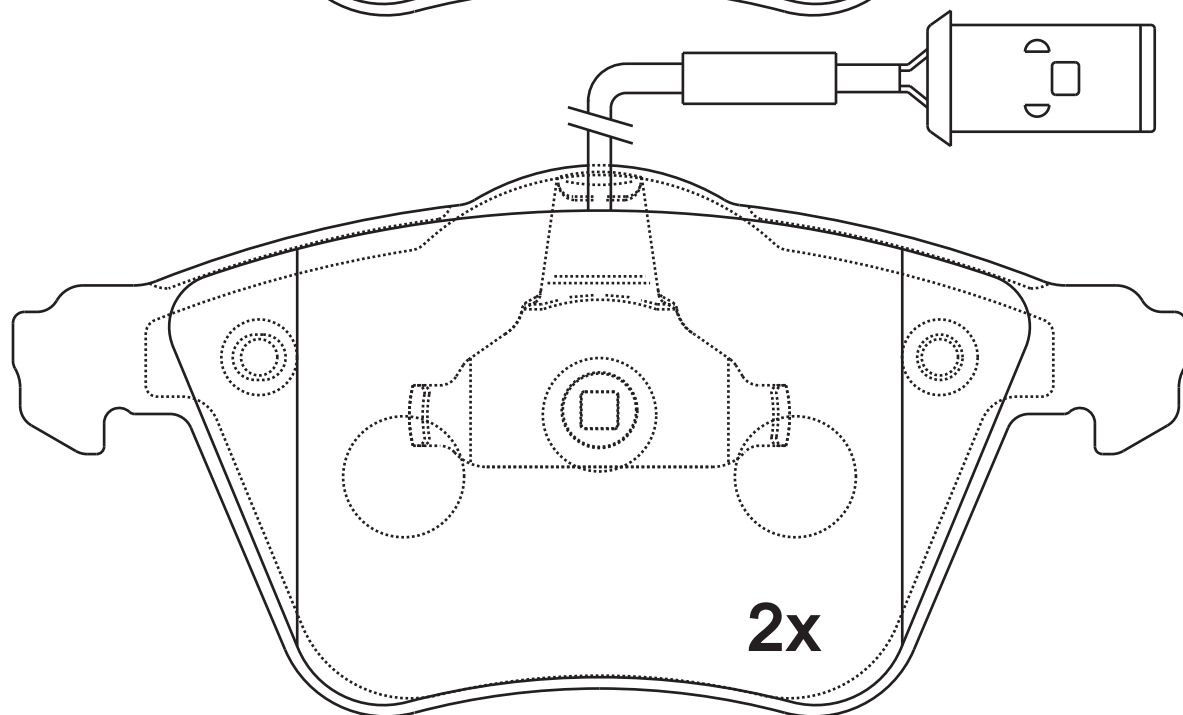
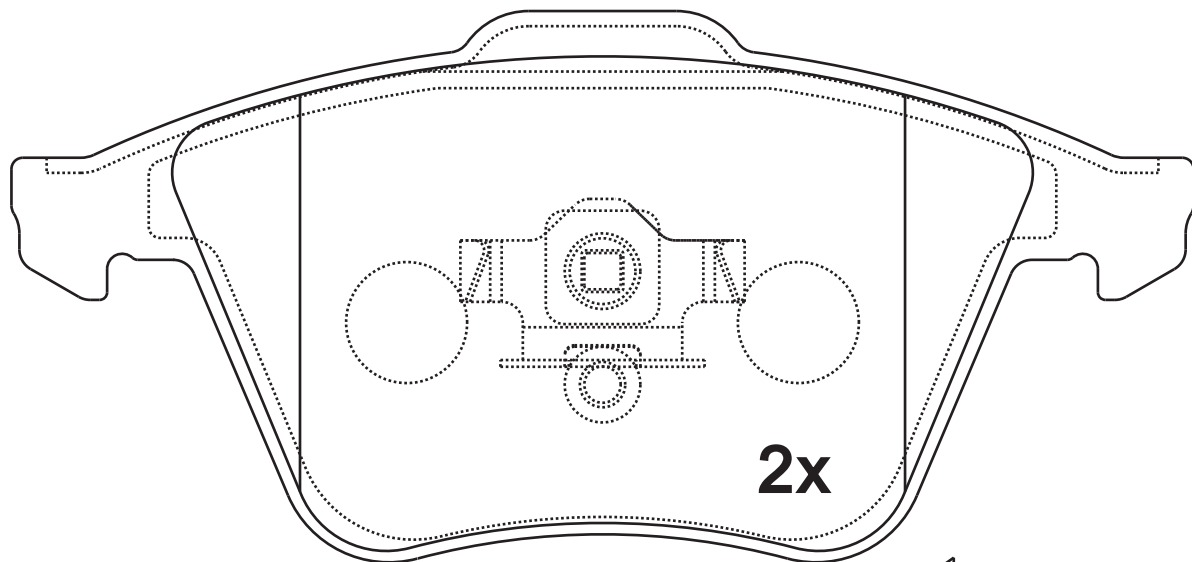
Apply for:

- | | |
|---------------------------|-----------|
| Audi A6 | 2002-2004 |
| Audi A6 Quattro | 2005-2006 |
| Audi Allroad Quattro | 2003-2005 |
| Audi S4 | 2004-2009 |
| Volkswagen CC V6 | 2012- |
| Volkswagen CC VR6 4Motion | 2009-2011 |
| Volkswagen Passat 3.6 L | 2006-2008 |
| Volkswagen Passat CC | 2010- |
| Volkswagen R32 | 2008- |

版次: A/3

SR0570.08**Dimension
(mm)**156.3×72.9
155.1×72.9**Thickness
(mm)**

18.6

**NOTE****2 identical with spring;
2 identical with spring****GDB1832****Apply for:**

沃尔沃(富豪)	S40 II (544)	1.6	2005-2012
沃尔沃(富豪)	S40 II (544)	1.8	2004-2010
沃尔沃(富豪)	S40 II (544)	2.4	2004-2010
沃尔沃(富豪)	S40 II (544)	1.8 FlexFuel	2006-2010

SR0570

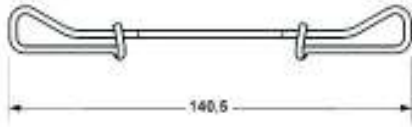
**Dimension
(mm)**

**Thickness
(mm)**

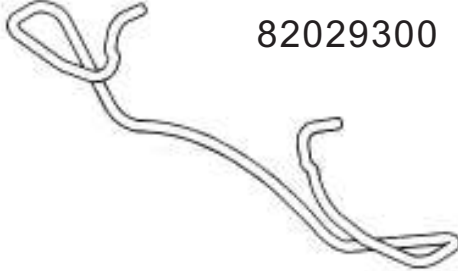


NOTE

附件包
Accessory bag



82029300



T0041

FJB0107.01

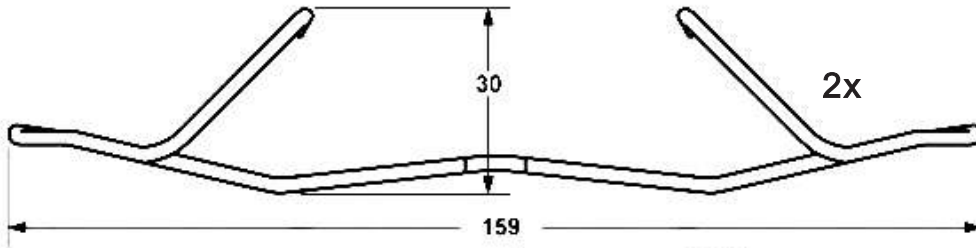


82071800



K0481

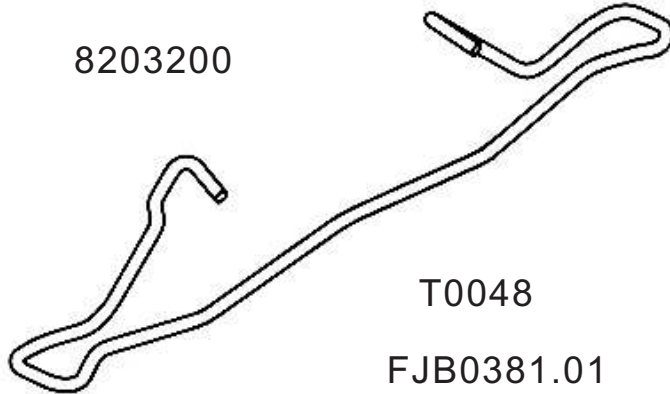
FJB0570.01




8203200

T0048

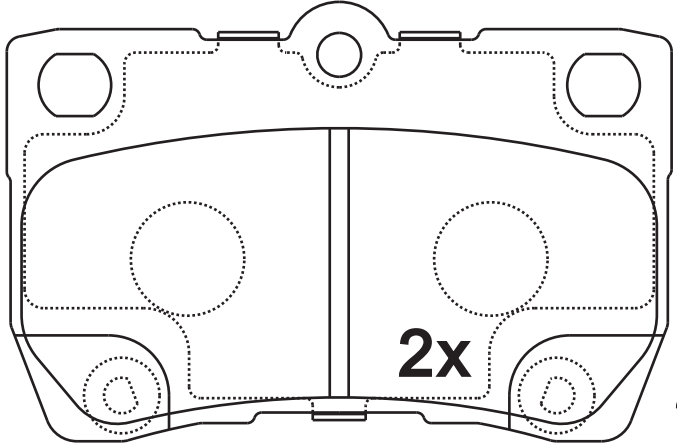
FJB0381.01



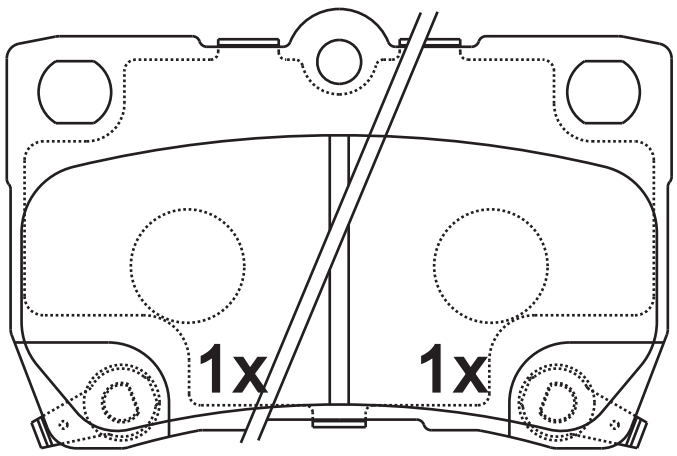
SR0571.01

Dimension (mm)	Thickness (mm)	
87.9×58.1	15.5	

NOTE
4 identical, 1 with acoustic indicator (left), 1 with acoustic indicator (right).



24323



24325

24324

Apply for:

Lexus GS
Lexus IS II
Lexus IS C

Saloon
Saloon
Convertible

04.05-11.11
10.05-
04.09-

SR0572.01

**Dimension
(mm)**

116.8×48.2

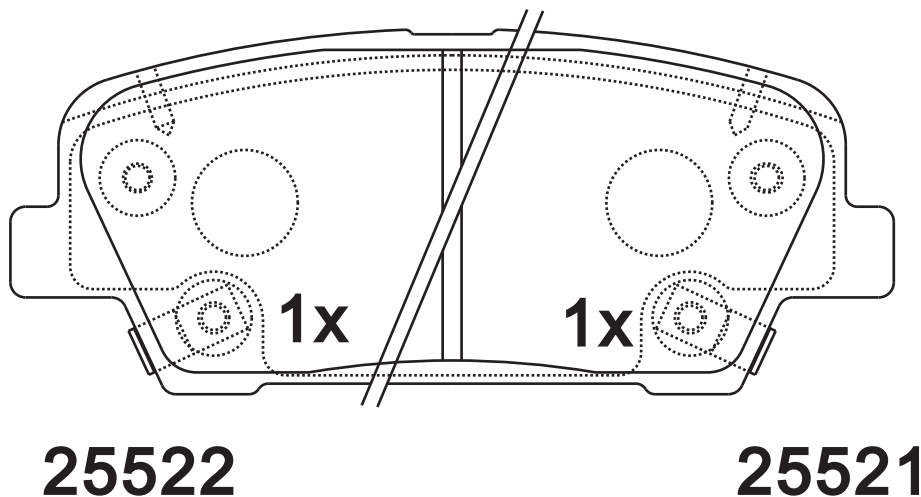
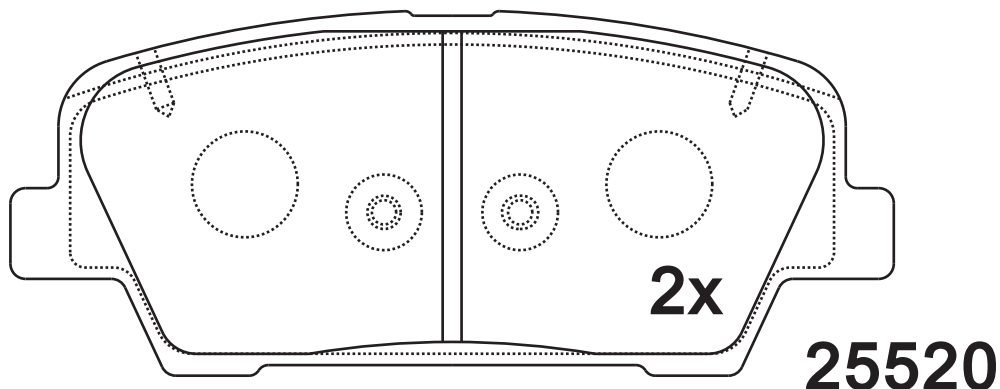
**Thickness
(mm)**

15.5



NOTE

4 identical, 1 with acoustic indicator (left), 1 with acoustic indicator (right).



Apply for:

Hyundai Santa Fe II
Hyundai Grand Santa Fe

Closed off-Road
Closed off-Road

03.06-
03.13-

SR0572

**Dimension
(mm)**

**Thickness
(mm)**

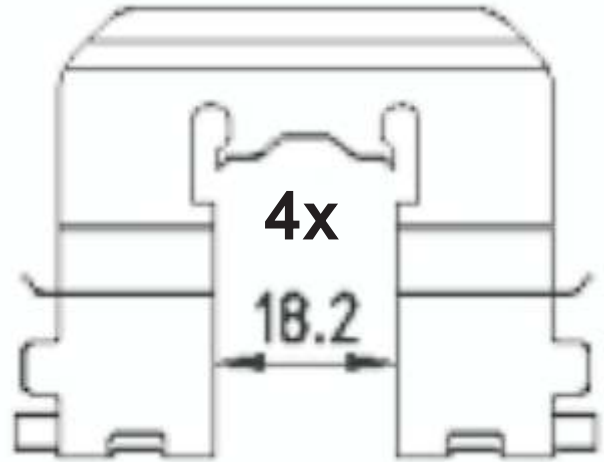


NOTE

附件包
Accessory bag



Dx0073
FJB0572.01



Dx0093
FJB0572.02

SR0573.01

**Dimension
(mm)**

**Thickness
(mm)**

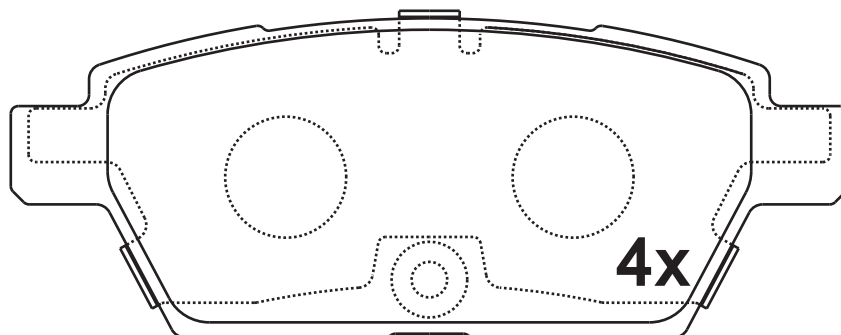


NOTE

4 identical;

110.7×42.2

15



24581

Apply for:

Mazda 6
Mazda 6
Mazda 6

Saloon
Estate
Hatchback

12.05-08.07
08.02-08.07
08.02-08.07

SR0574.01

**Dimension
(mm)**

136.7×58.7

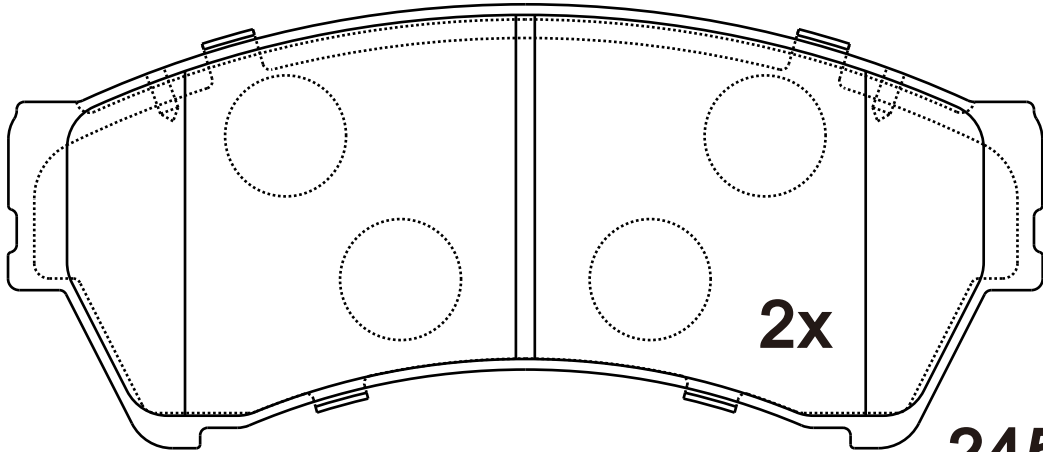
**Thickness
(mm)**

18.1

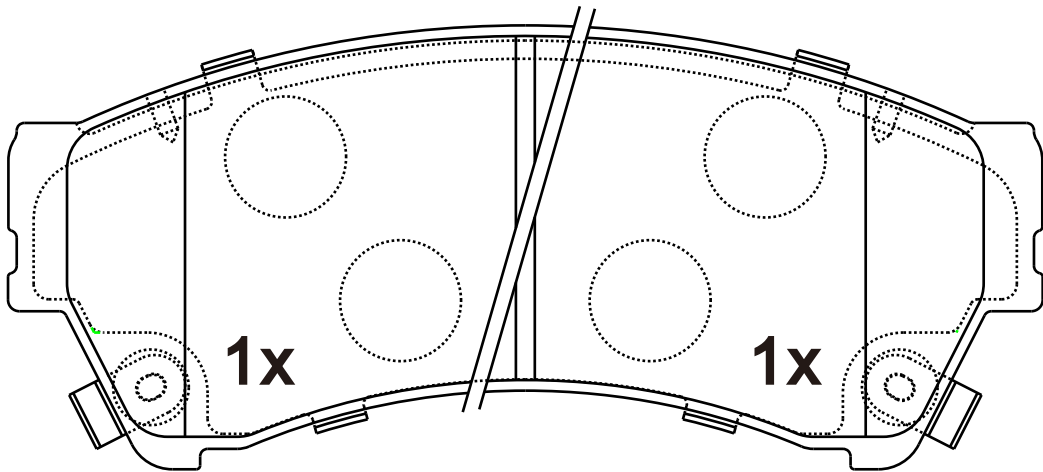


NOTE

4 identical, 1 with
acoustic indicator (left),
1 with acoustic indicator
(right).



24582



24629

24630

Apply for:

Mazda 6
Mazda 6
Mazda 6

Hatchback
Saloon
Eatate

08.07-
08.07-
02.08-

SR0574.02

**Dimension
(mm)**

136.7×58.7

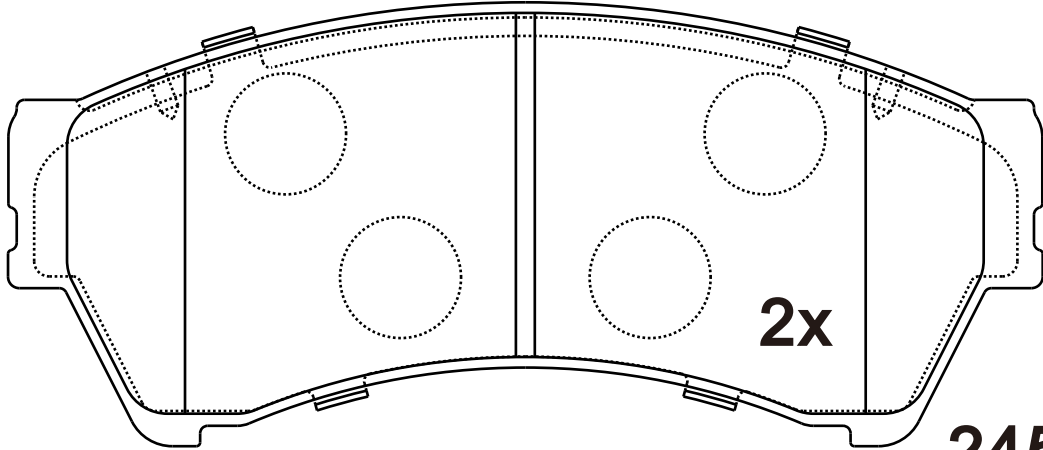
**Thickness
(mm)**

16.5

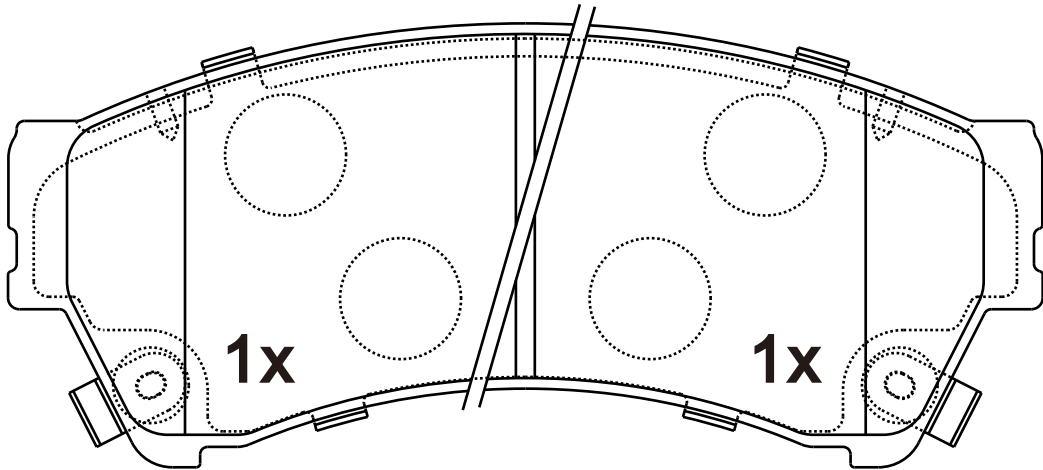


NOTE

4 identical, 1 with acoustic indicator (left), 1 with acoustic indicator (right).



24582



24629

24630

Apply for:

Mazda 6
Mazda 6
Mazda 6

Hatchback
Saloon
Eatate

08.07-
08.07-
02.08-

SR0574

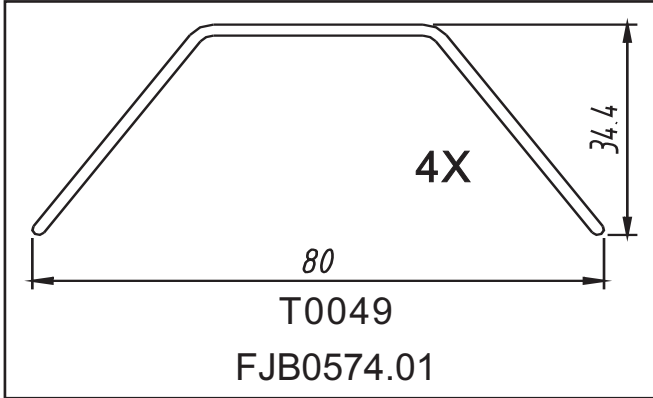
**Dimension
(mm)**

**Thickness
(mm)**



NOTE

**附件包
Accessory bag**



SR0575.01

**Dimension
(mm)**

148×60.3

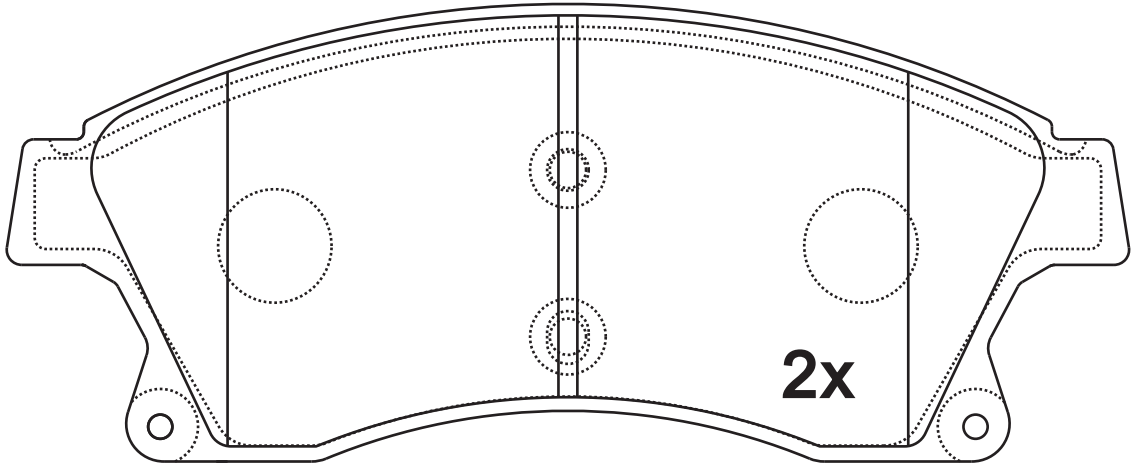
**Thickness
(mm)**

18.8

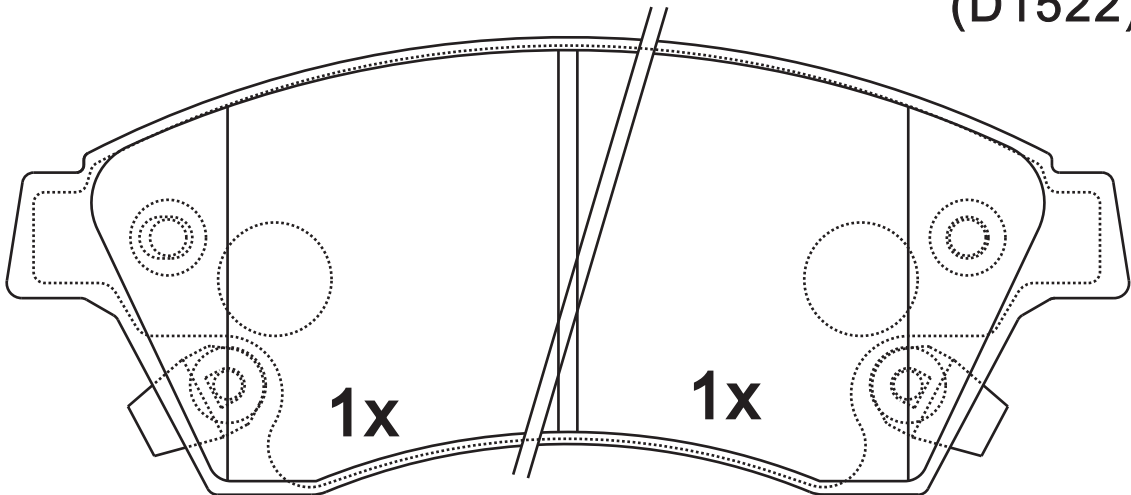


NOTE

2 identical;2 identical;



**25031
(D1522)**



25033

25032

Apply for:

Chevrolet Cruze
Chevrolet Cruze
Chevrolet Cruze
Opel Astra J

Saloon
Hatchback
Estate
Hatchback

12.12-
12.12-
12.12-
12.09-

SR0575

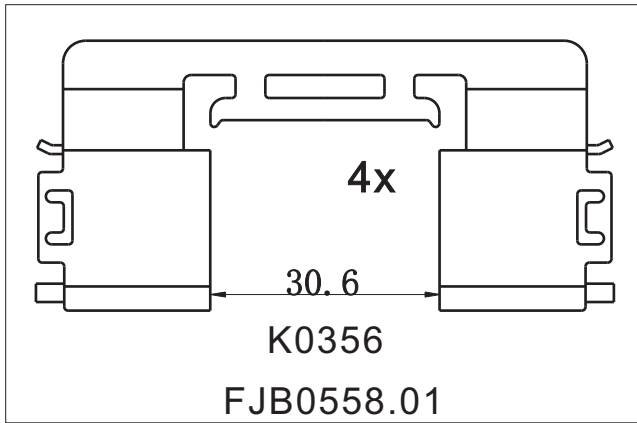
**Dimension
(mm)**

**Thickness
(mm)**



NOTE

**附件包
Accessory bag**



SR0576.01

**Dimension
(mm)**

**Thickness
(mm)**

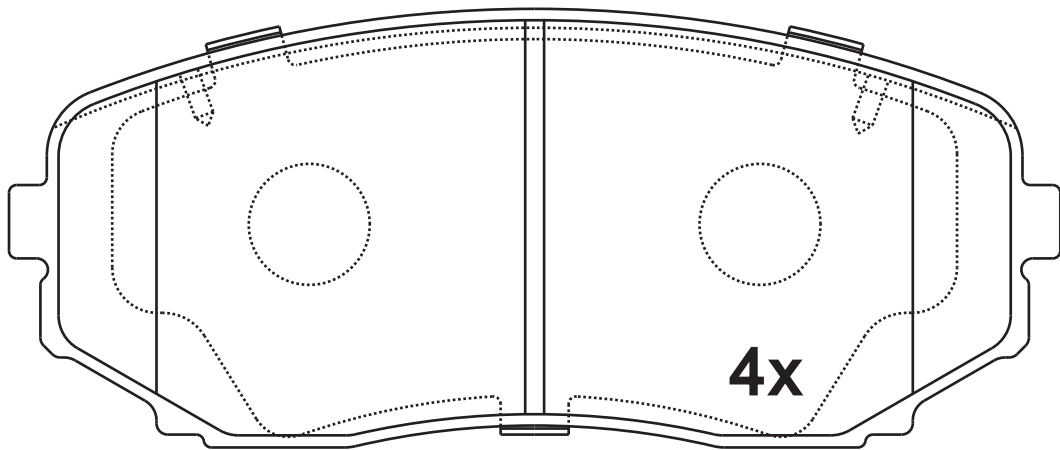


NOTE

4 identical;

139×58

18.1



24544

Apply for:

Mazda CX-7
Mazda CX-9

Closed off-Road
Closed off-Road

10.07-
01.07-

SR0576.02

**Dimension
(mm)**

139.2×60.2

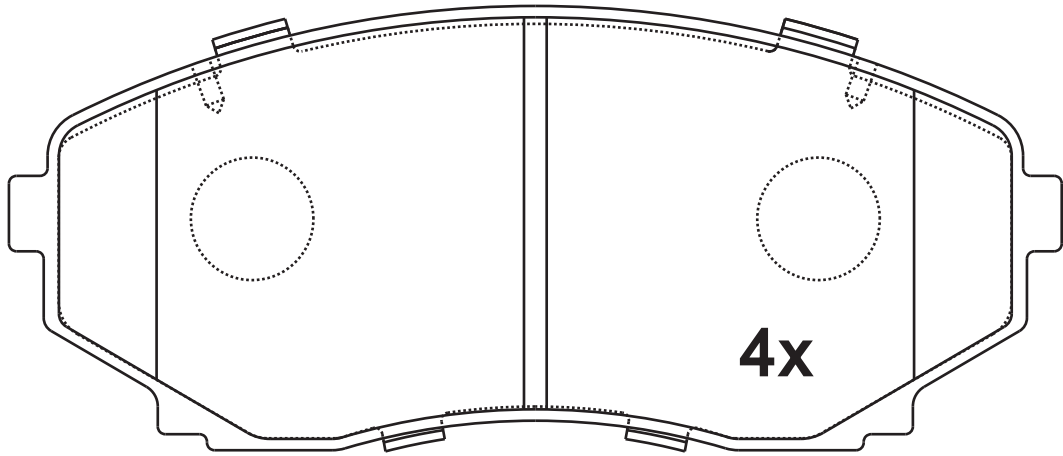
**Thickness
(mm)**

16.3

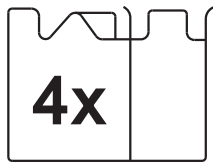
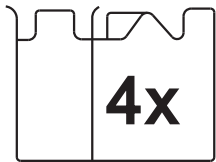


NOTE

4 identical;




23515




Apply for:

Mazda MPV
Mazda MPV 4WD

1994-1998
1992-1993

SR0576	Dimension (mm)	Thickness (mm)		NOTE



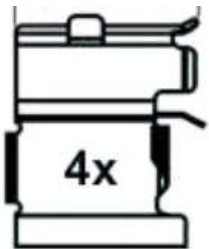
x2

B0097
FJB2B0097



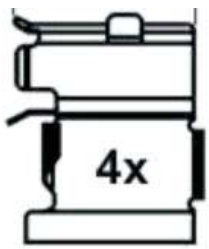
x4

T0002
FJB0576.01




4x

DX0086



4x

DX0087



x2

FJB0576.02

SR0577.01

**Dimension
(mm)**

137.7×60.3

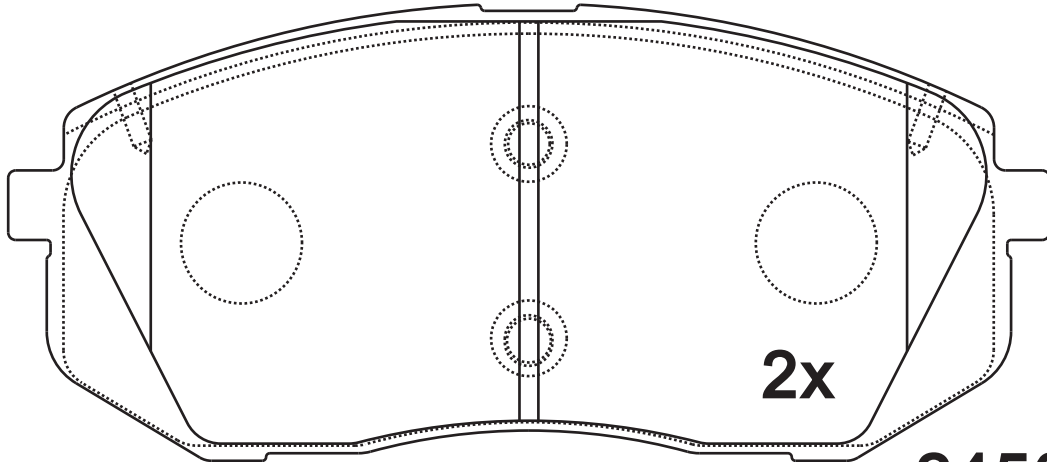
**Thickness
(mm)**

16.7

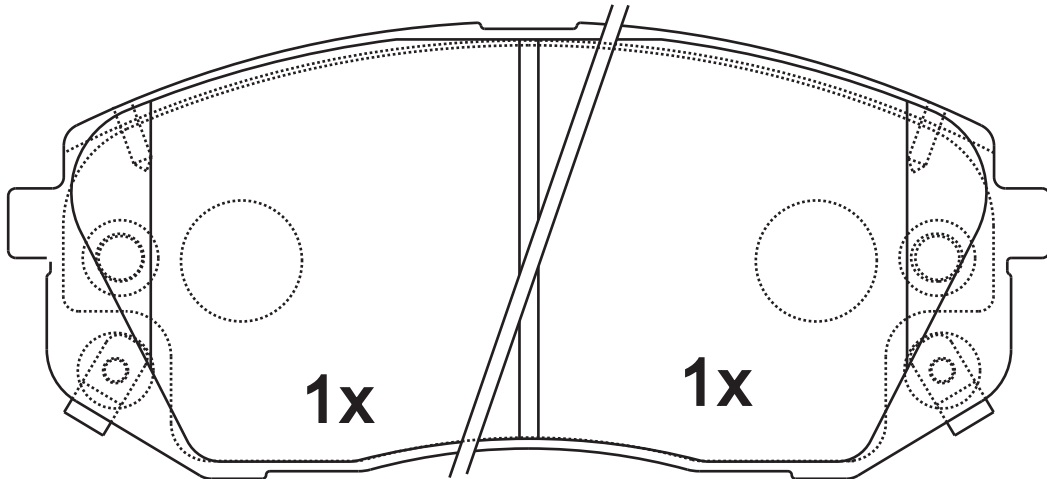


NOTE

4 identical, 1 with acoustic indicator (left), 1 with acoustic indicator (right).



24501



24503


24502

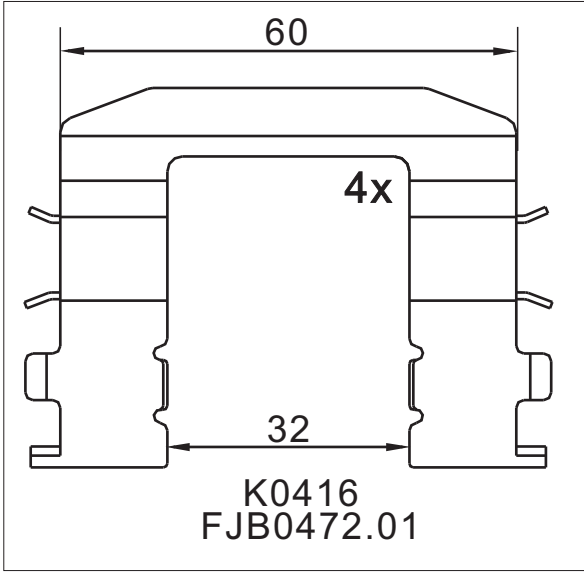
Apply for:

Hyundai ix35
Kia Carens III
Kia Sportage

Closed off-Road
MPV
Closed off-Road

01.10-
09.06-
09.04-

SR0577	Dimension (mm)	Thickness (mm)		NOTE



SR0578.01

**Dimension
(mm)**

100.3×43.8

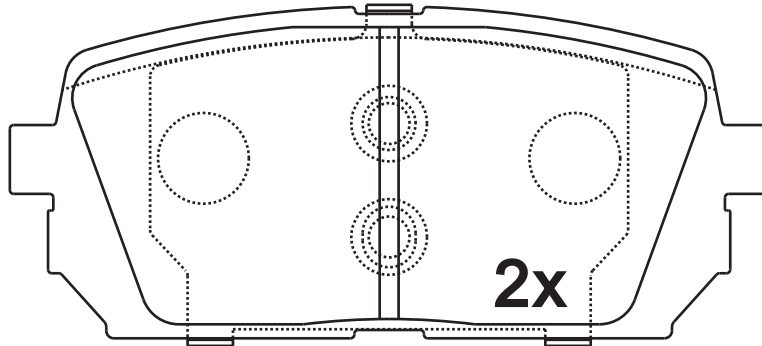
**Thickness
(mm)**

16

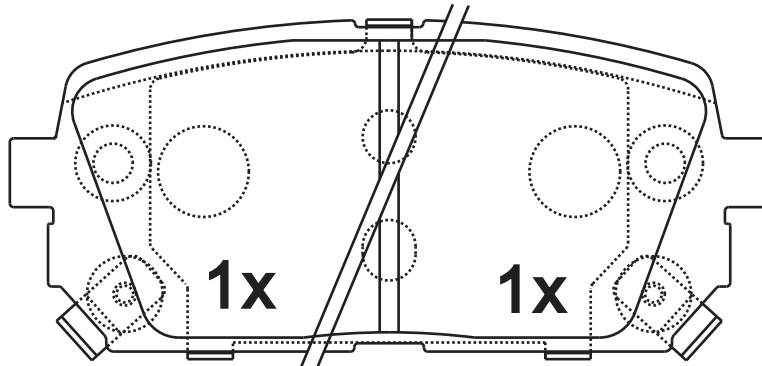


NOTE

4 identical, 1 with acoustic indicator (left), 1 with acoustic indicator (right).



24491



24493

24492

Apply for:

Kia Carens III

MPV

09.06-

SR0579.01

**Dimension
(mm)**

**Thickness
(mm)**



NOTE

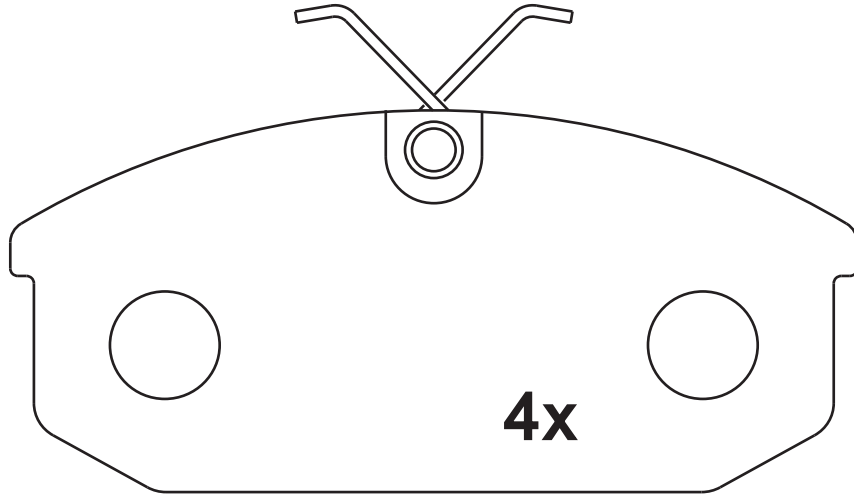
4 identical;

112×50.5

17



无模具



SR0580.01

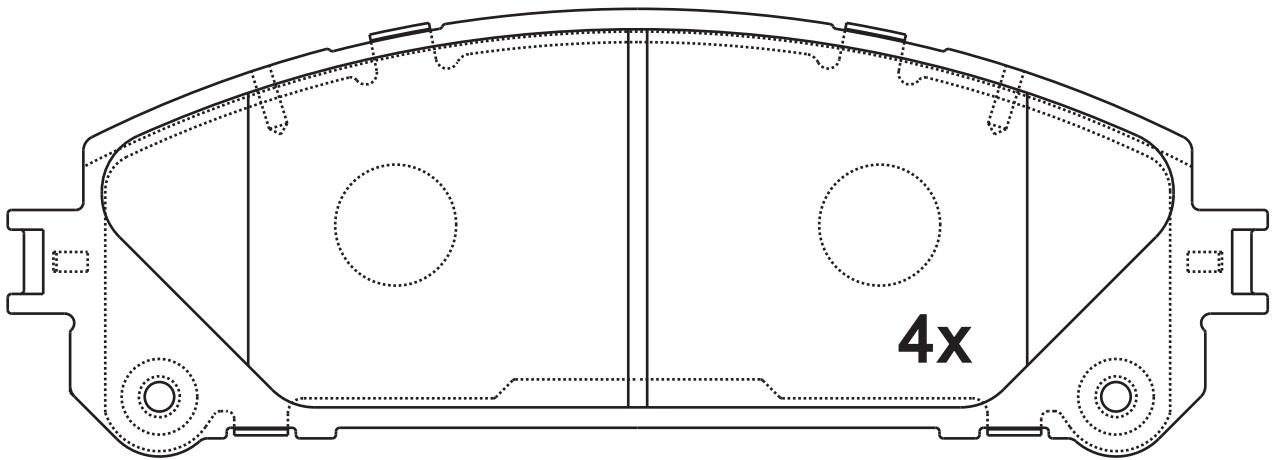
**Dimension
(mm)**

**Thickness
(mm)**



NOTE

4 identical;



24452

Apply for:

Lexus NX
Lexus RX
Toyota Sienna

Hatchback
Closed off-Road
MPV

07.14-
12.08-
02.10-

SR0580

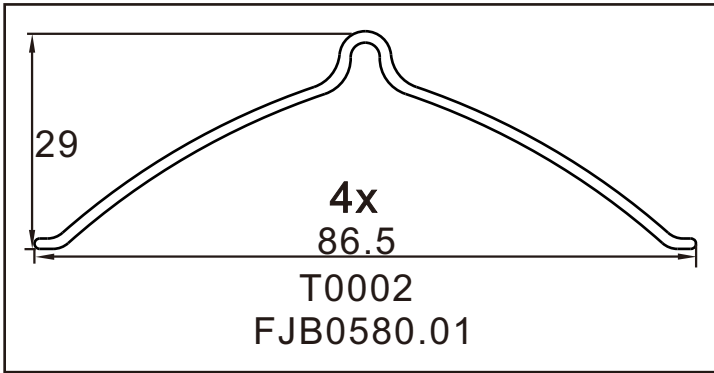
**Dimension
(mm)**

**Thickness
(mm)**



NOTE

**附件包
Accessory bag**



SR0581.01

**Dimension
(mm)**

113.3×40.7

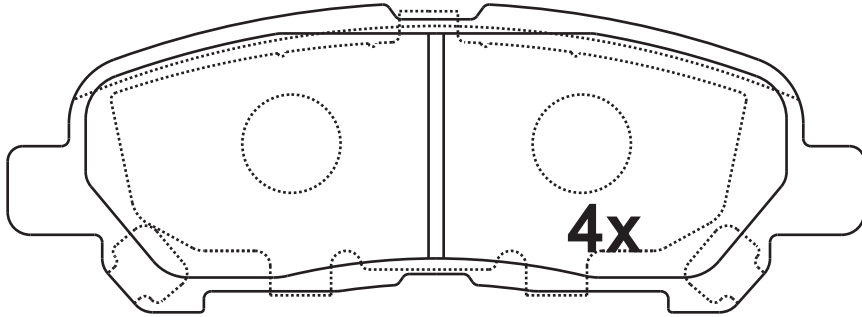
**Thickness
(mm)**

15.2



NOTE

4 identical;



25481

Apply for:

Toyota Highlander

Closed off-Road

05.09-

SR0582.01

**Dimension
(mm)**

141.8×58.9

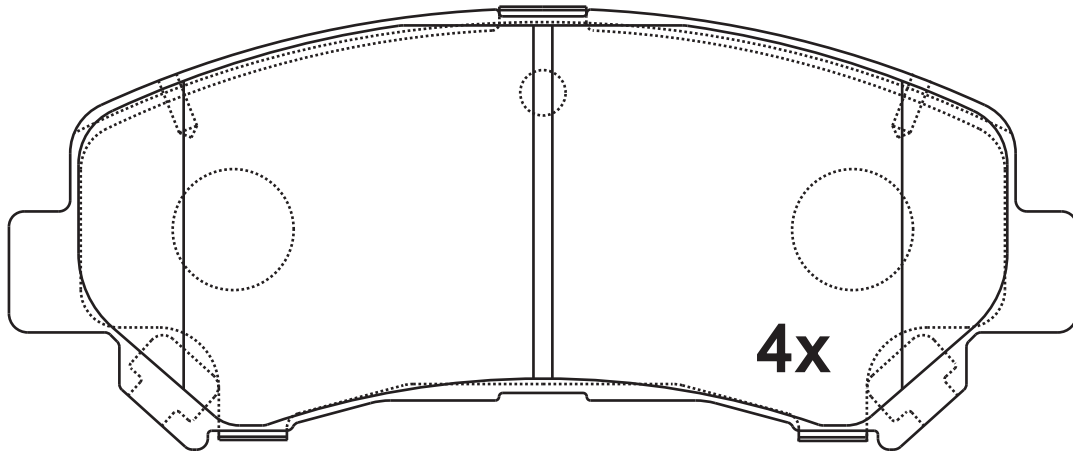
**Thickness
(mm)**

17



NOTE

4 identical;



24632



Apply for:

Nissan Qashqai
Nissan X-trail

Closed off-Road
Closed off-Road

02.07-
06.07-

SR0583.01

**Dimension
(mm)**

**Thickness
(mm)**



NOTE

SR0584.01

**Dimension
(mm)**

**Thickness
(mm)**



NOTE

SR0585.01

**Dimension
(mm)**

194.2×69.6
194.2×67.9

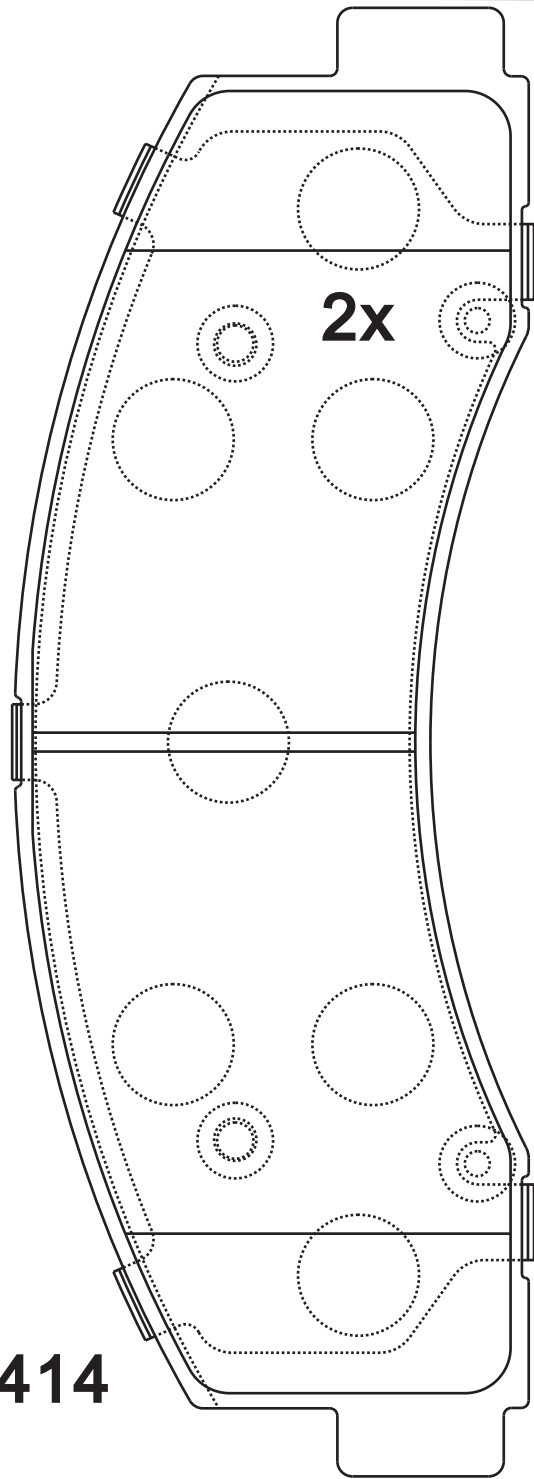
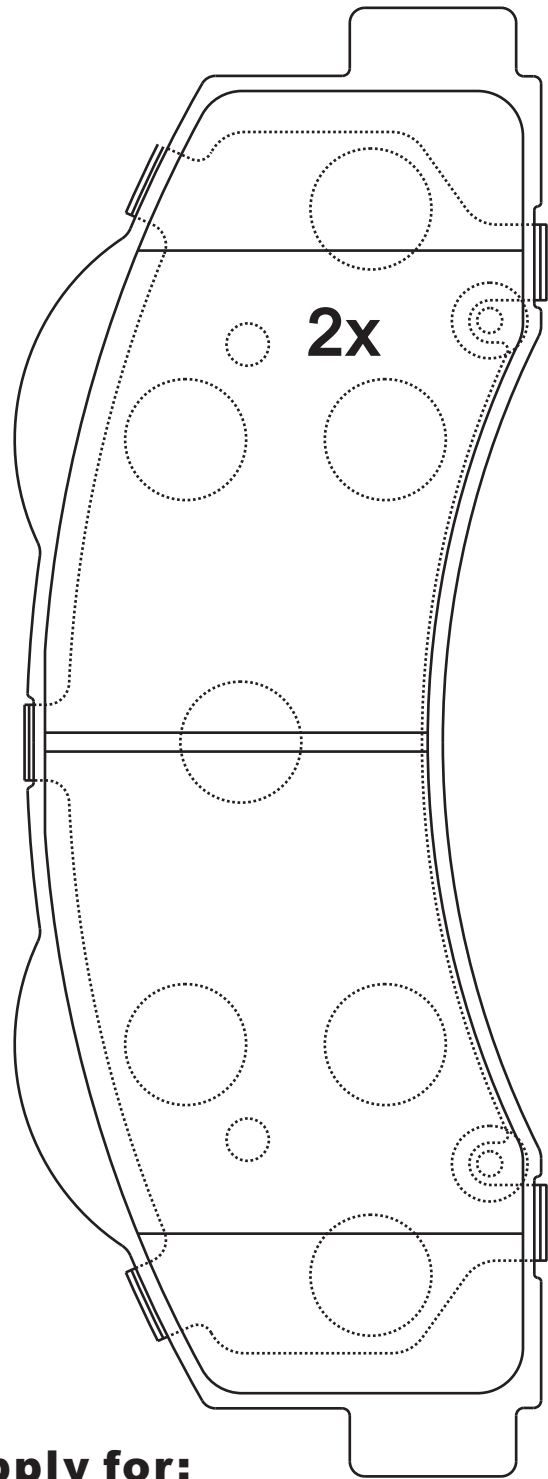
**Thickness
(mm)**

18.1



NOTE

2 identical; 2 identical



D1414

Apply for:

Ford Truck
Lincoln Navigator

MPV
Saloon

2010-2014
2011-2014

SR0585.02

**Dimension
(mm)**

194.2×67.9

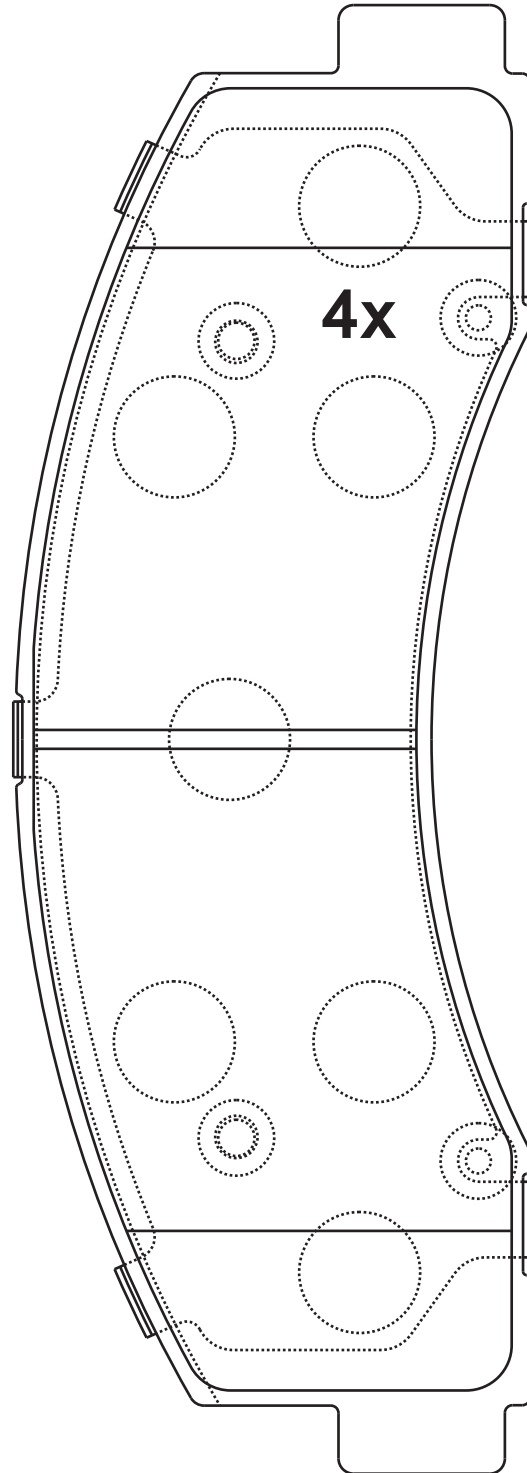
**Thickness
(mm)**

18.1



NOTE

4 identical;



D1414

Apply for:

Ford Truck
Lincoln Navigator

MPV
Saloon

2010-2014
2011-2014

SR0586.01

**Dimension
(mm)**

132.9×57.8

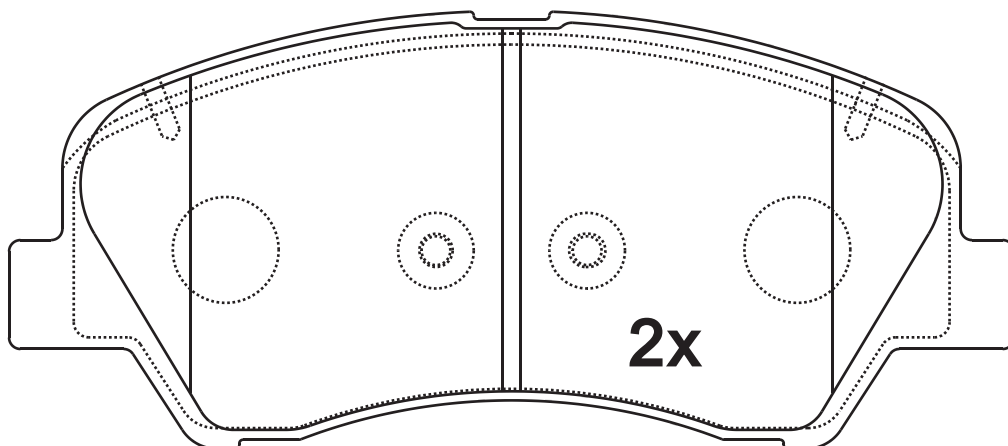
**Thickness
(mm)**

16.8



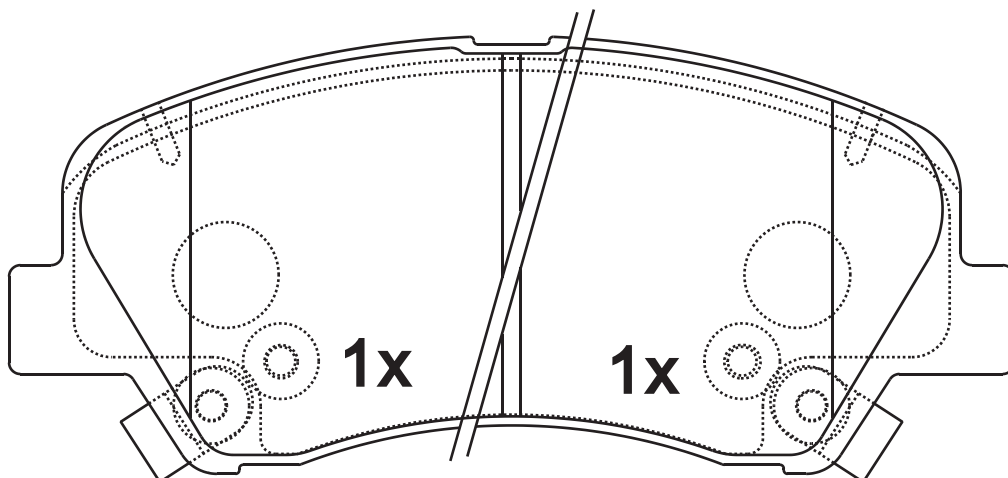
NOTE

4 identical, 1 with acoustic indicator (left), 1 with acoustic indicator (right).



2x

25348



1x

1x

25349

25350

Apply for:

Hyundai i30
Kia Pro Cee'd

Estate
Hatchback

06.12-
06.13-

SR0586.02

**Dimension
(mm)**

132.8×59.6

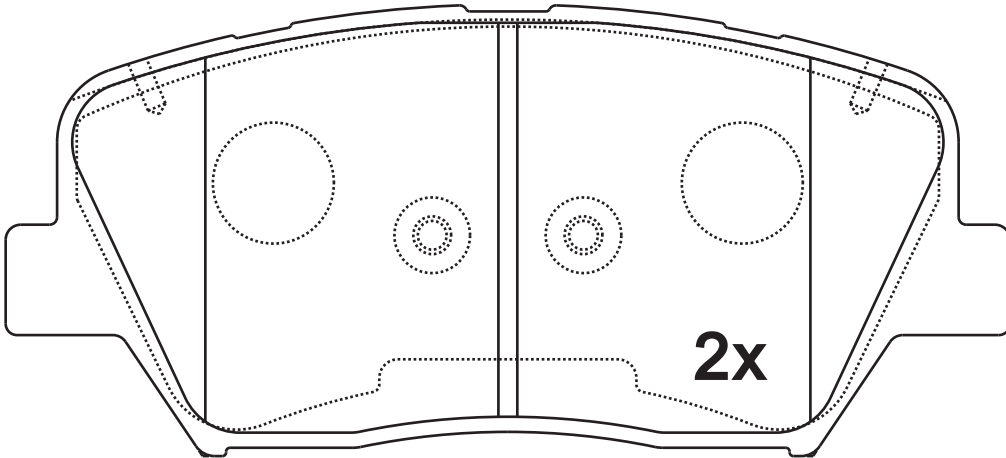
**Thickness
(mm)**

17

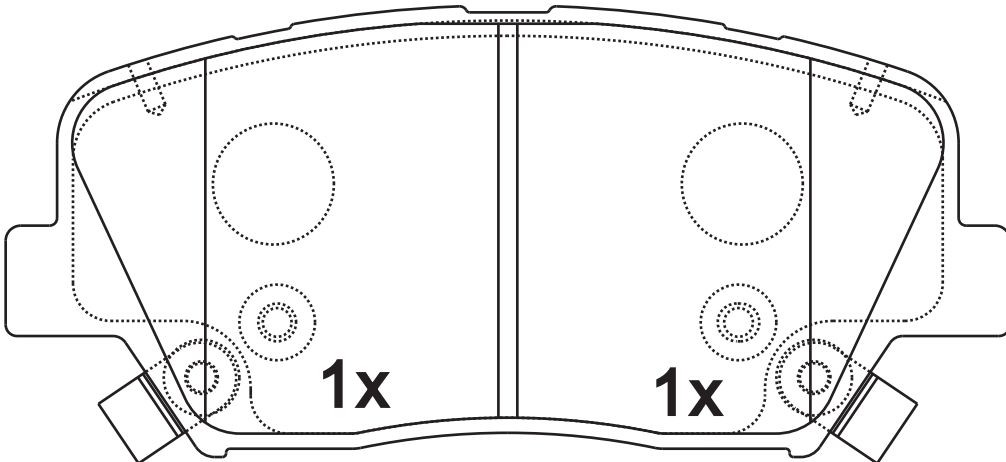


NOTE

4 identical, 1 with acoustic indicator (left), 1 with acoustic indicator (right).



25757



25758

25759

Apply for:

Hyundai Elantra	2011-2015
Hyundai Elantra Coupe	2013-2015
Hyundai Elantra GT	2013-2014
Hyundai Veloster	2012-2015
Kia Forte	2014
Kia Forte Koup EX	2014
Kia Soul Canada	2010

SR0586.03

**Dimension
(mm)**

132.7×54.5

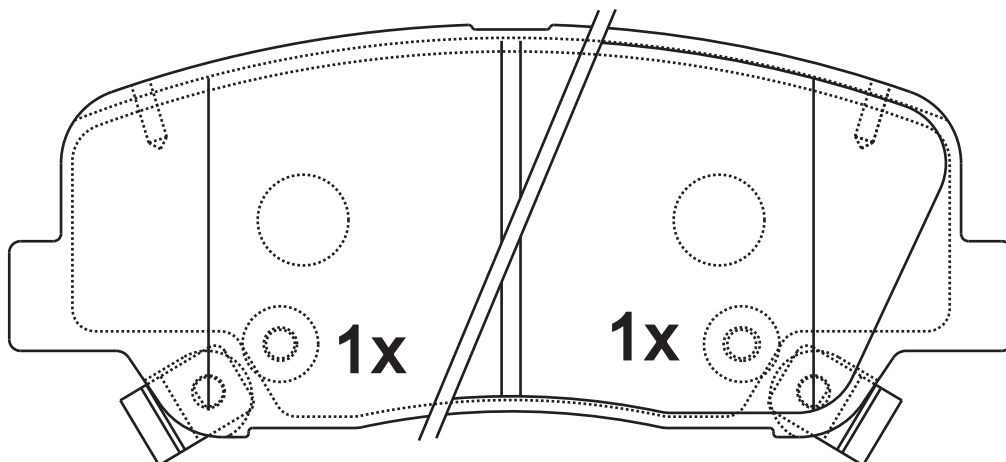
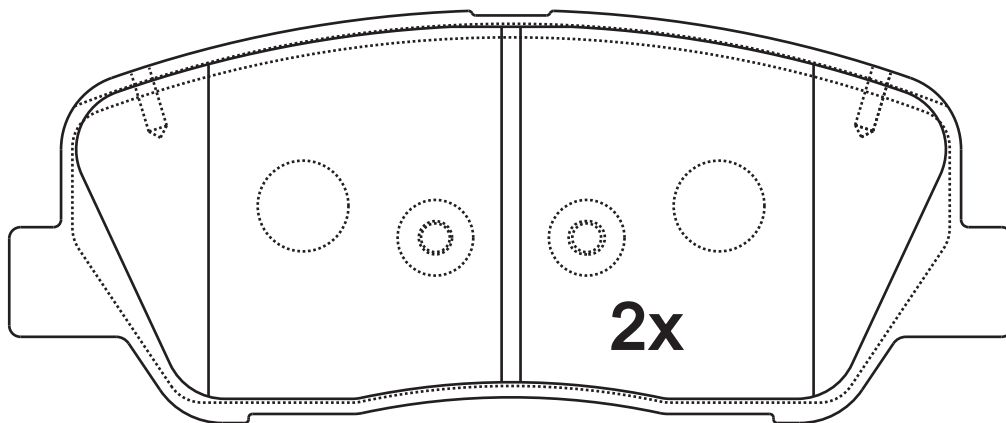
**Thickness
(mm)**

17



NOTE

2 identical; 2 identical, 1 with acoustic indicator (left), 1 with acoustic indicator (right).



Apply for:

博越

SR0586.04

**Dimension
(mm)**

132.9×60

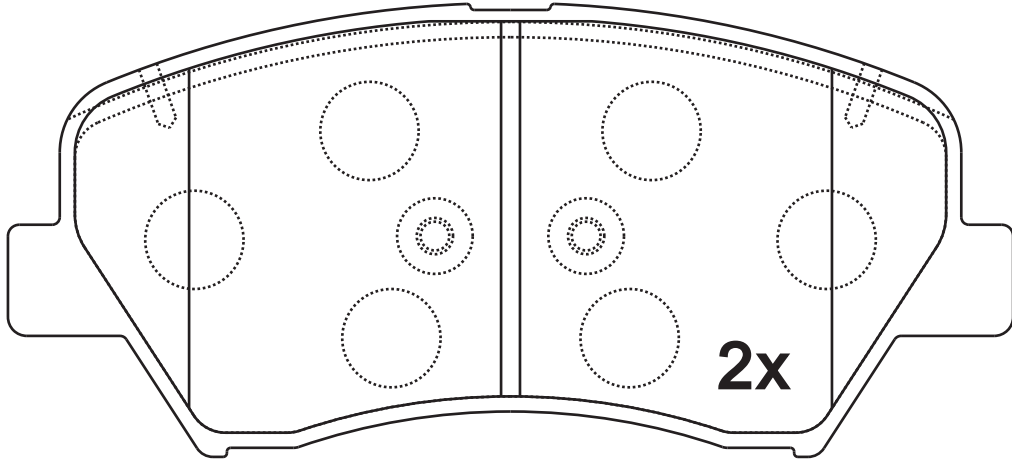
**Thickness
(mm)**

17.2

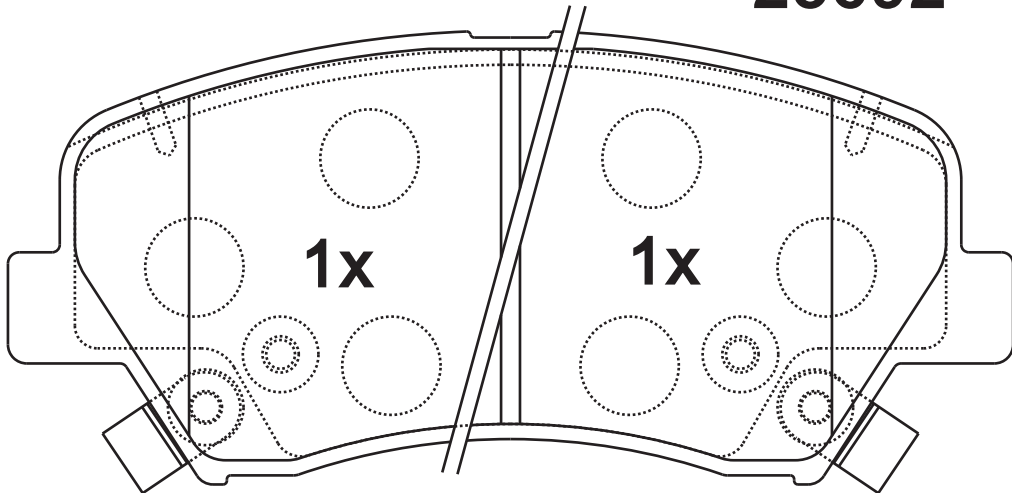


NOTE

2 identical; 2 identical, 1 with acoustic indicator (left), 1 with acoustic indicator (right).



25692



25693

25694

Apply for:

Hyundai Elantra Saloon

Kia Carens Iv

Kia (Dyk) K5

Hyundai (Beijing) Sonata (Lf)

2010/09-

2013/03-

2011/03-

2015/03-

SR0586

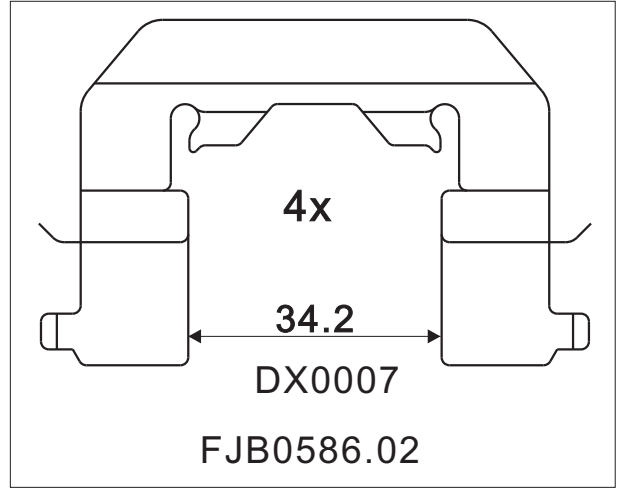
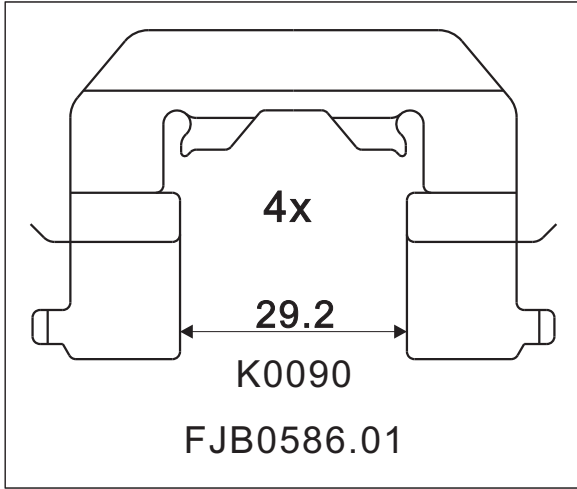
**Dimension
(mm)**

**Thickness
(mm)**



NOTE

**附件包
Accessory bag**



SR0587.01

**Dimension
(mm)**

142×53.6

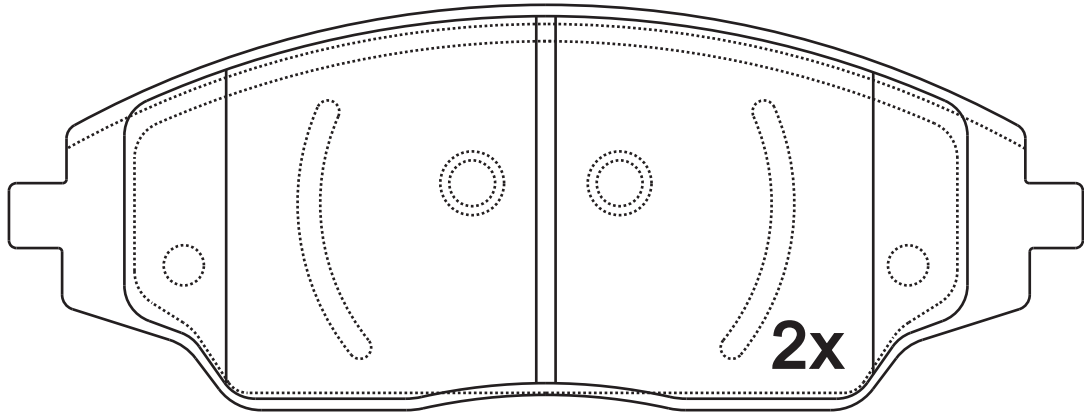
**Thickness
(mm)**

17.2

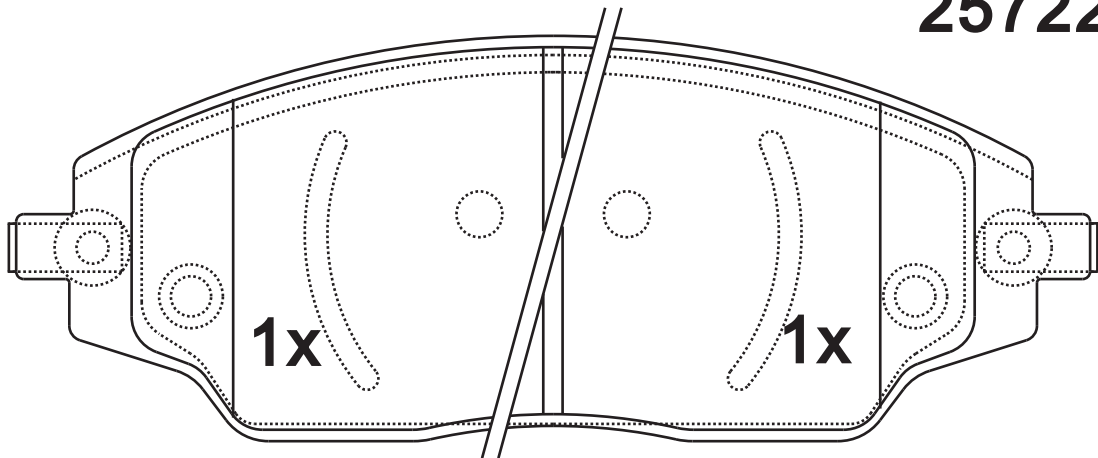


NOTE

4 identical, 1 with acoustic indicator (left), 1 with acoustic indicator (right).



25722



Apply for:

Chevrolet Sonic
Chevrolet Aveo
Chevrolet Aveo

Saloon
Hatchback
Saloon

2012-2013
05.11-
03.11-

SR0588.01

**Dimension
(mm)**

107.6×45.4

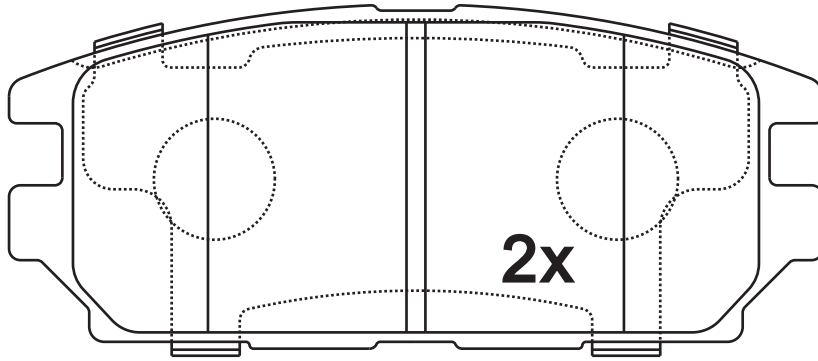
**Thickness
(mm)**

16

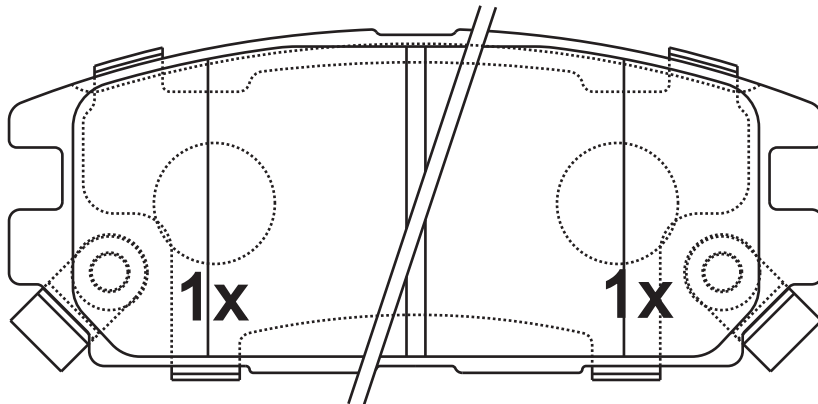


NOTE

4 identical, 1 with
acoustic indicator (left),
1 with acoustic indicator
(right).



23373



23374

23375

Apply for:

Mitsubishi Space Wagon
Mitsubishi Verada
Mitsubishi Soveran

MPV
Estate
MPV

10.98-12.04
10.95-09.96
05.04-

SR0589.01

**Dimension
(mm)**

127.5×47.5

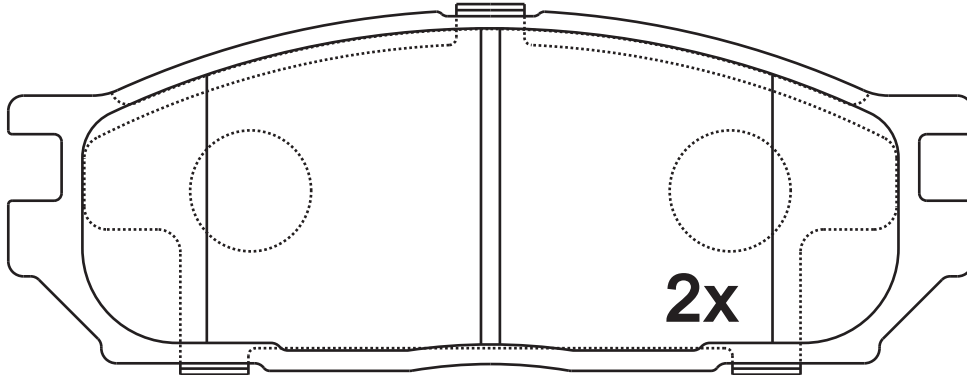
**Thickness
(mm)**

15.4

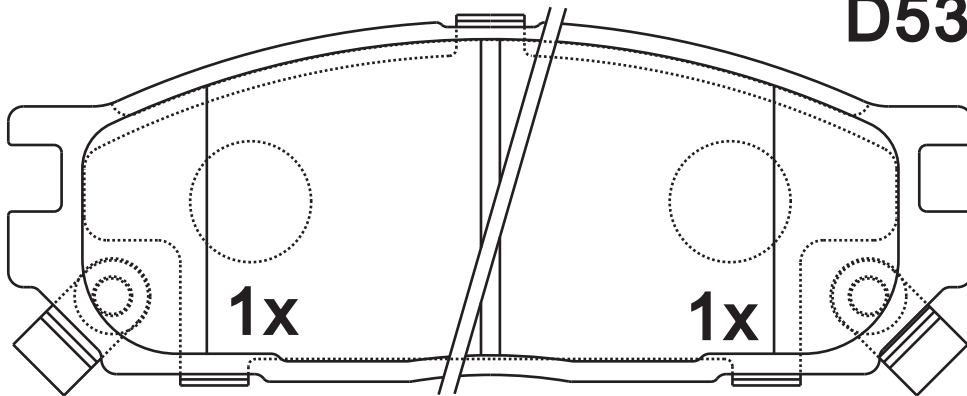


NOTE

4 identical, 1 with acoustic indicator (left), 1 with acoustic indicator (right).



D534



Apply for:

Mitsubishi Mirage
Mitsubishi Mirage

Saloon
Hatchback

1992-
1991-

SR0590.01

**Dimension
(mm)**

107.6×41

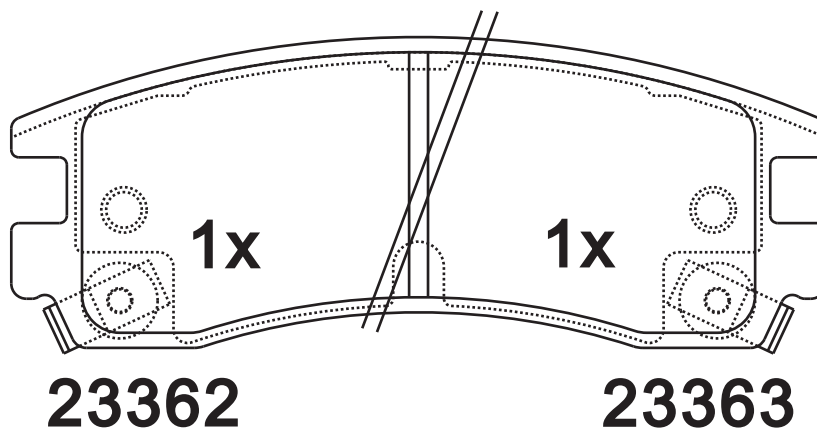
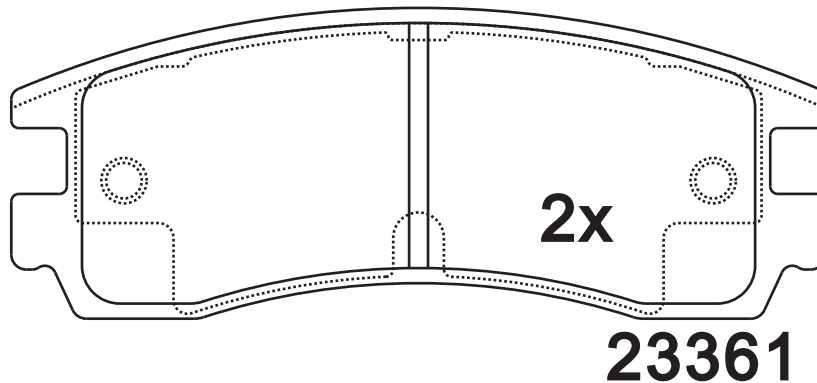
**Thickness
(mm)**

14.8



NOTE

4 identical, 1 with acoustic indicator (left), 1 with acoustic indicator (right).



Apply for:

Buick Park Avenue
Buick Regal

Saloon
Saloon

10.96-
10.97-10.04

SR0591.01

**Dimension
(mm)**

147.8×61.8

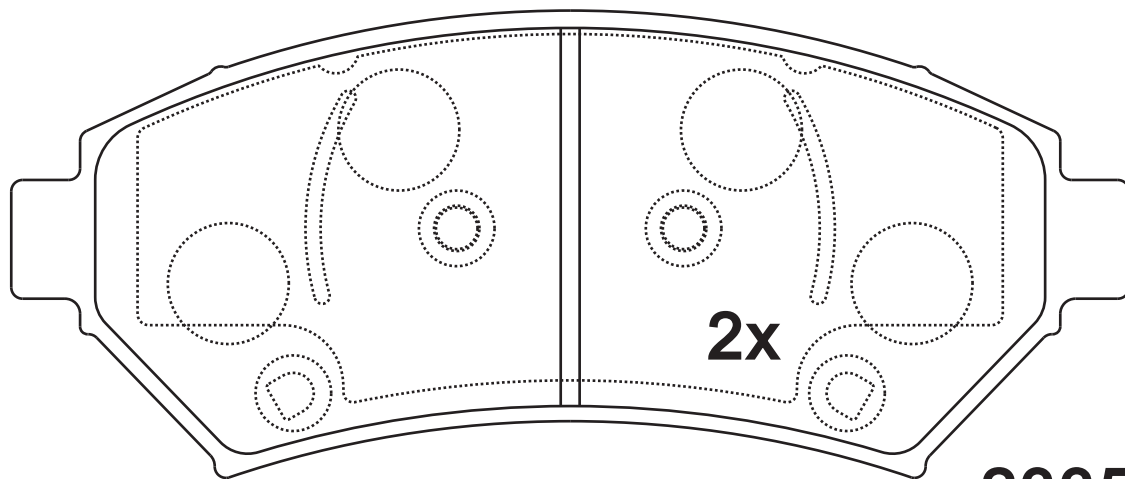
**Thickness
(mm)**

18

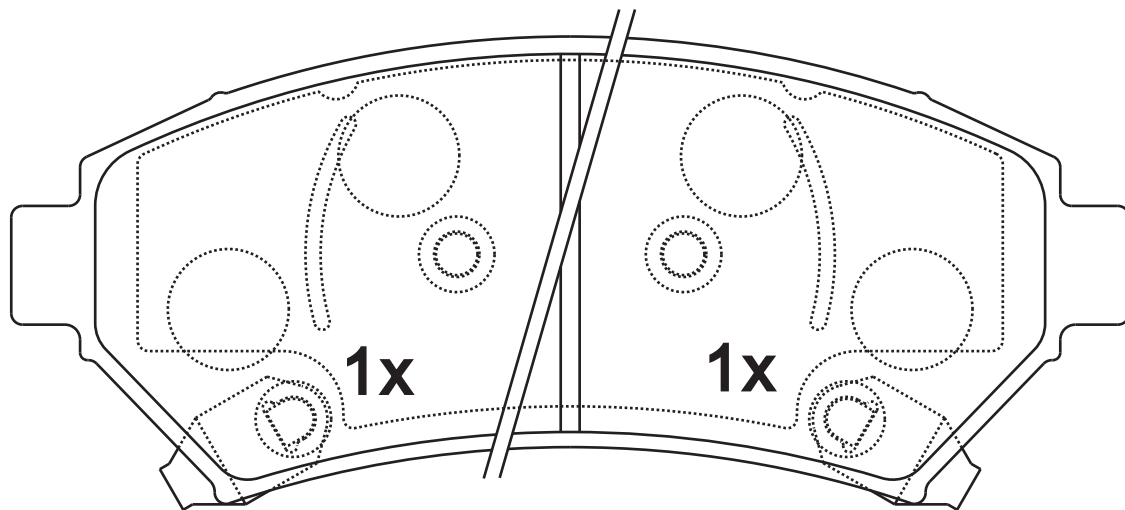


NOTE

4 identical, 1 with acoustic indicator (left), 1 with acoustic indicator (right).



23358



23359


23360

Apply for:

Buick Park Avenue
Buick Regal

Saloon
Saloon

10.96-
10.97-10.04

SR0592.01	Dimension (mm)	Thickness (mm)		NOTE

SR0593.01

**Dimension
(mm)**

**Thickness
(mm)**



NOTE

SR0594.01**Dimension
(mm)**

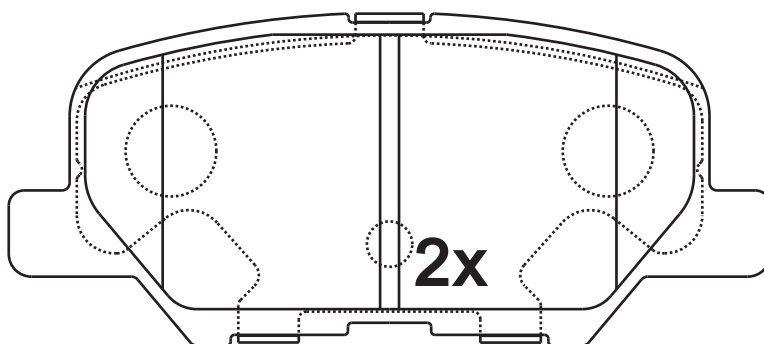
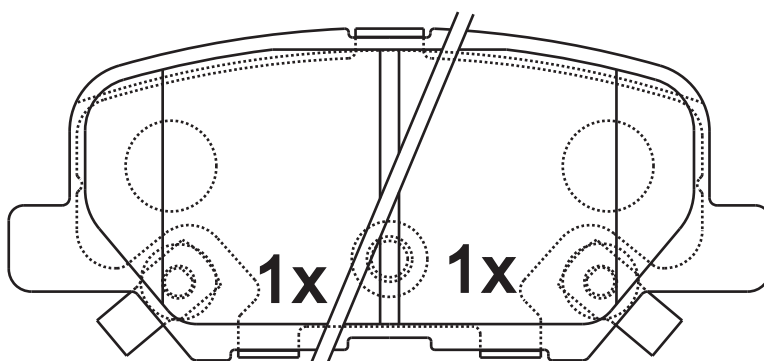
100.7×43.9

**Thickness
(mm)**

14.3

**NOTE**

4 identical, 1 with
acoustic indicator (left),
1 with acoustic indicator
(right).

**25688****25690****25689****Apply for:**

Citroen C4 Aircross	Closed off-Road	04.12-
Mazda Atenza	Saloon	12.12-
Mitsubishi ASX	Closed off-Road	02.10-
Mitsubishi Outlander III	Closed off-Road	08.12-
Peugeot 4008	Closed off-Road	05.12-

SR0594

**Dimension
(mm)**

**Thickness
(mm)**



NOTE

**附件包
Accessory bag**



4X

DX0037
FJB0594.01

SR0595.01

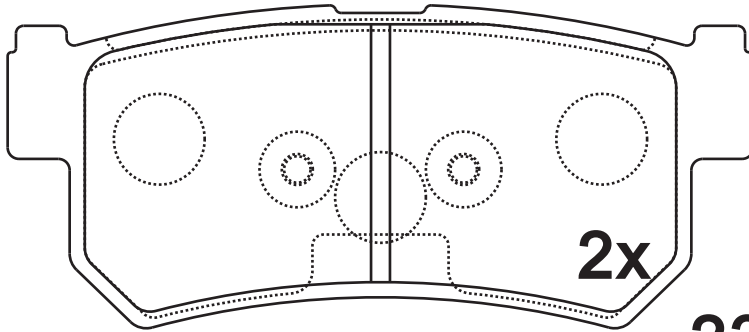
**Dimension
(mm)**

**Thickness
(mm)**

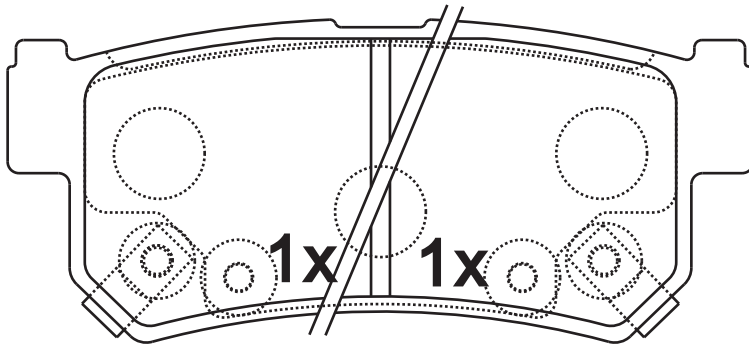


NOTE

**4 identical, 1 with
acoustic indicator(left),
1 with acoustic indicator
(right)**



23673



23674

23675

Apply for:

Ssangyong Rexton

Closed off-Road

04.02-

SR0596.01

**Dimension
(mm)**

141.5×75.9

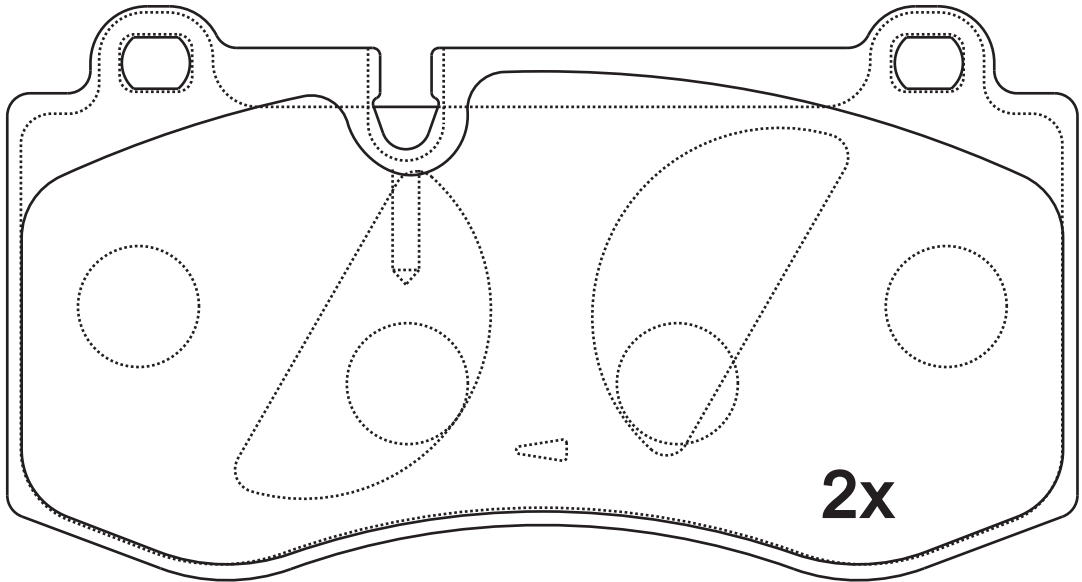
**Thickness
(mm)**

18

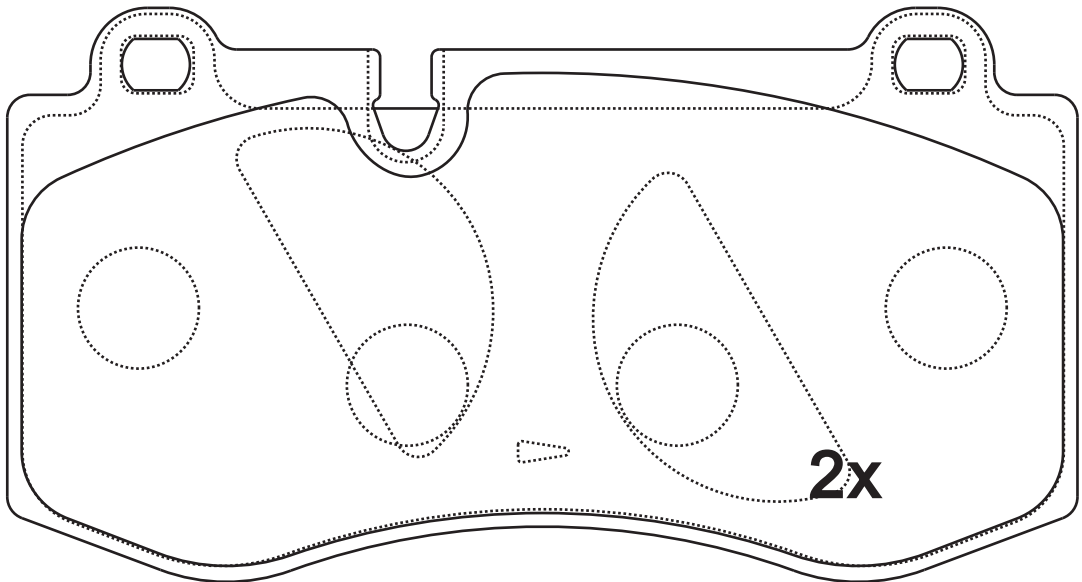


NOTE

2 identical; 2 identical;



23960



Apply for:

Mercedes CLS	Coupe	04.06-12.10
Mercedes E-class	Saloon	01.06-12.08
Mercedes E-class	Estate	04.06-07.09
Mercedes S-class	Saloon	10.05-
Mercedes S-class	Coupe	06.06-
Mercedes SL	Convertible	03.06-01.12

SR0596

**Dimension
(mm)**

**Thickness
(mm)**

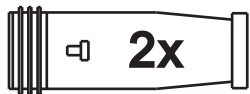


NOTE

**附件包
Accessory bag**



X0116A 总长120mm



FJB2X0116A



SR0597.01

**Dimension
(mm)**

116.3×57.1

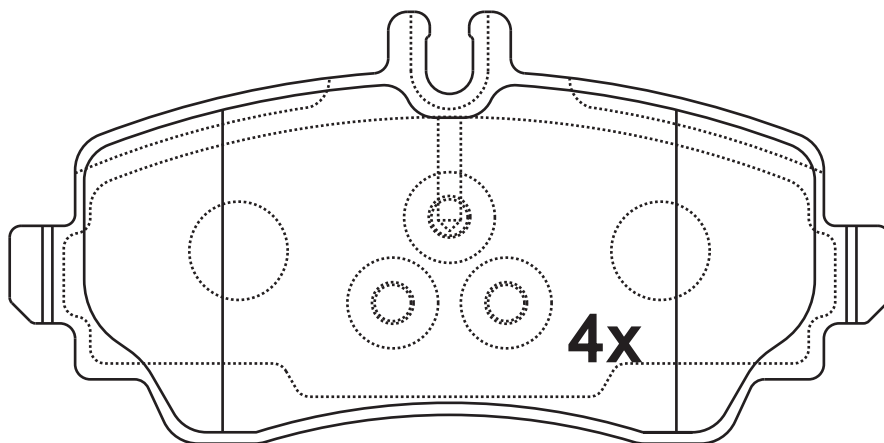
**Thickness
(mm)**

17

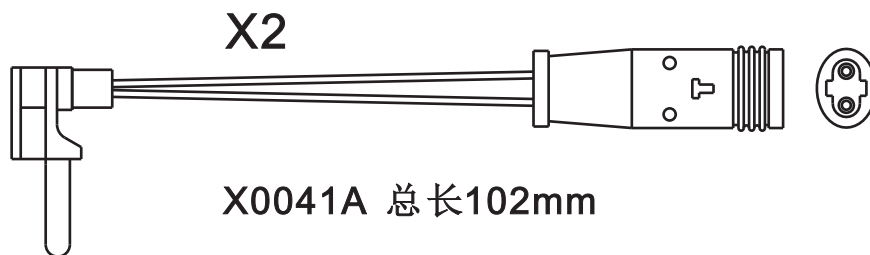


NOTE

4 identical;



23070



Apply for:

Mercedes A140

Hatchback

07.97-08.04

SR0597.02

**Dimension
(mm)**

116.3×57.1

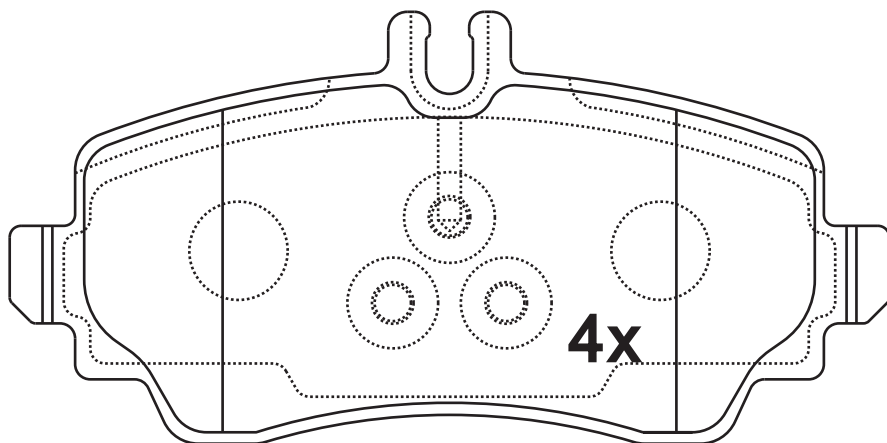
**Thickness
(mm)**

19.5

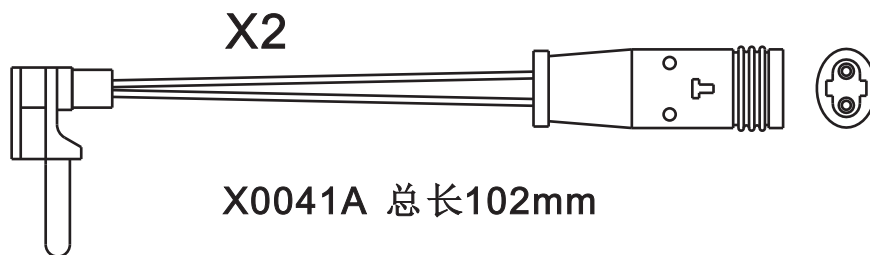


NOTE

4 identical;



23070



Apply for:

Mercedes A140

Hatchback

07.97-08.04

SR0597.03

**Dimension
(mm)**

116.3×57.1

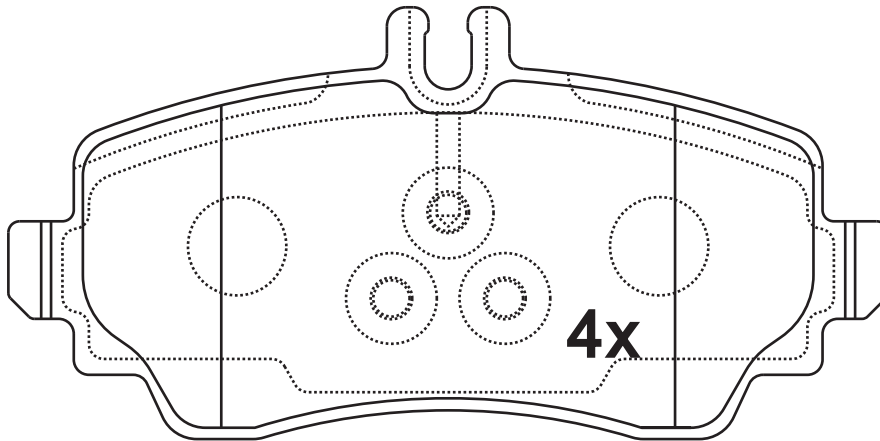
**Thickness
(mm)**

17



NOTE

4 identical;



23070

Apply for:

Mercedes A140

Hatchback

07.97-08.04

SR0597.04

**Dimension
(mm)**

116.3×57.1

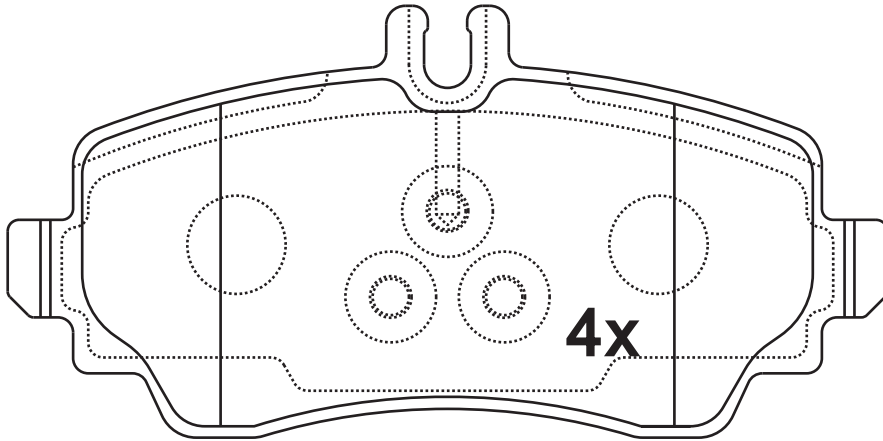
**Thickness
(mm)**

19.5



NOTE

4 identical;



23070

Apply for:

Mercedes A140

Hatchback

07.97-08.04

SR0597

**Dimension
(mm)**

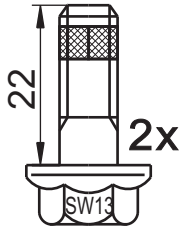
**Thickness
(mm)**



NOTE

附件包

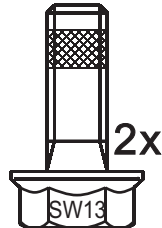
Accessory bag



M8×1

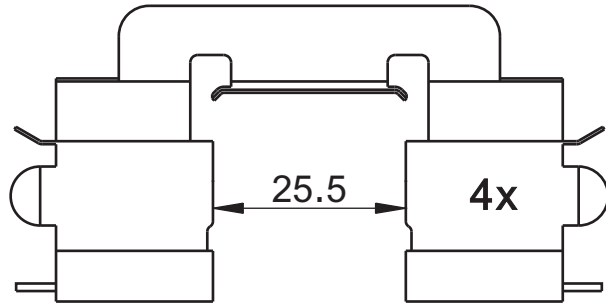
L0015

FJB0334.03



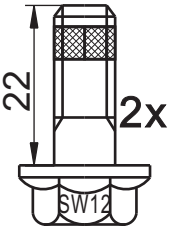
M8X22

L0020



DX0008

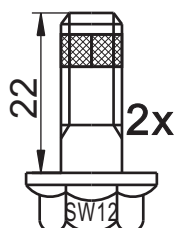
FJB0597.03



M8×1

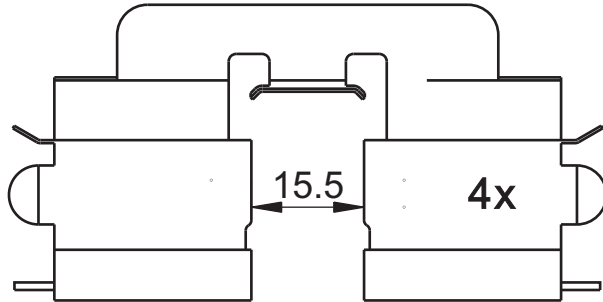
L0008

FJB0597.01



M8×1

L0008



K0475

FJB0597.02

SR0598.01

**Dimension
(mm)**

109.9×67.4

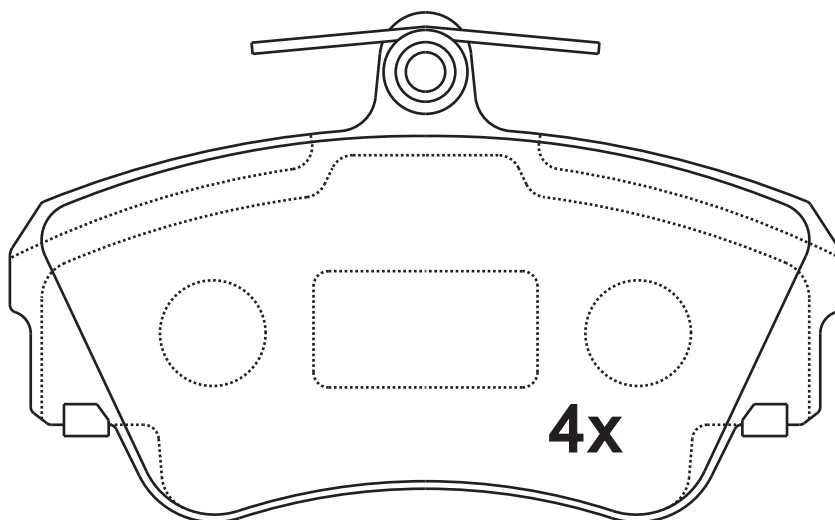
**Thickness
(mm)**

18



NOTE

4 identical;



21217

Apply for:

Volvo 440K
Volvo 460L
Volvo 480E

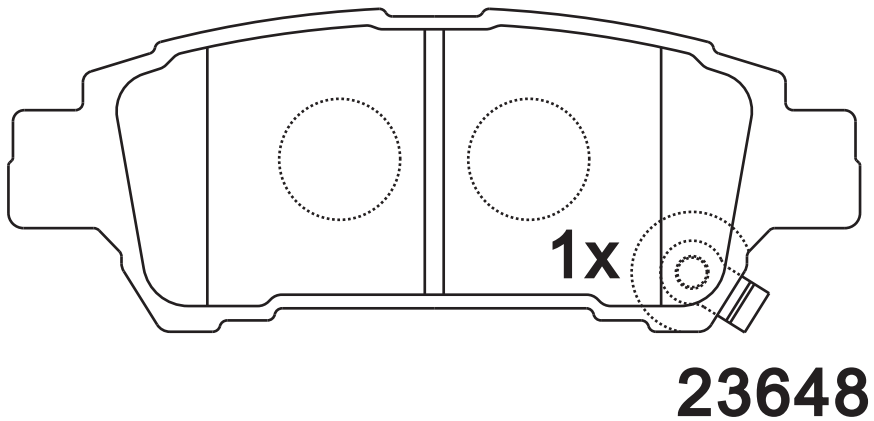
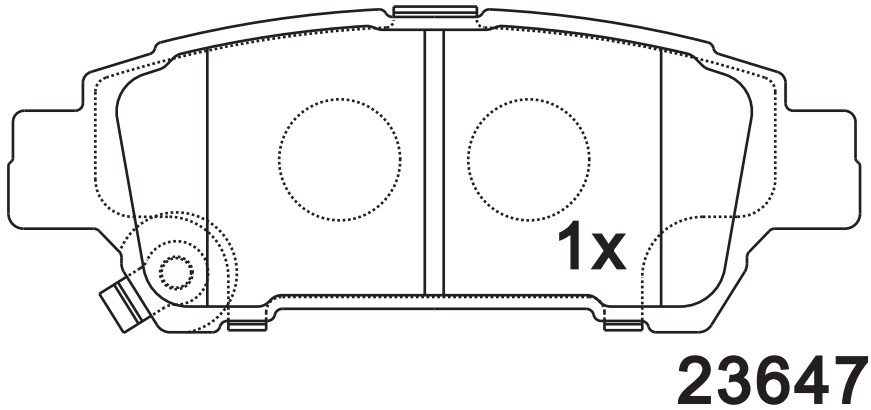
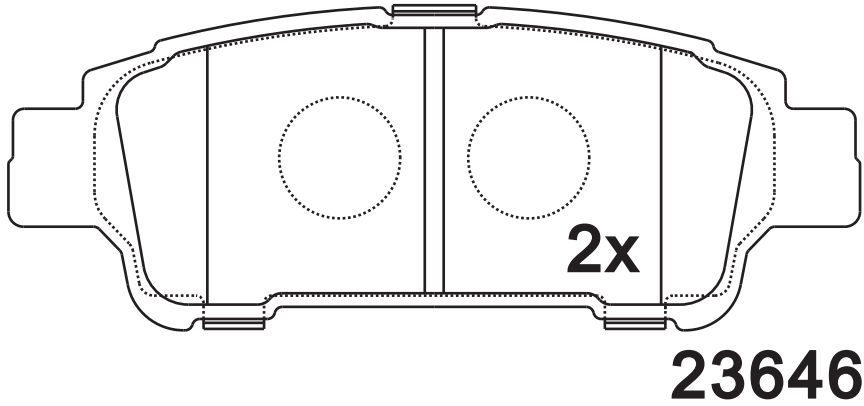
Hatchback
Saloon
Coupe

08.88-12.96
09.88-07.96
04.86-07.96

SR0599.01

Dimension (mm)	Thickness (mm)	
112.6×42.7	16.5	

NOTE
4 identical, 1 with acoustic indicator (left), 1 with acoustic indicator (right).





Apply for:

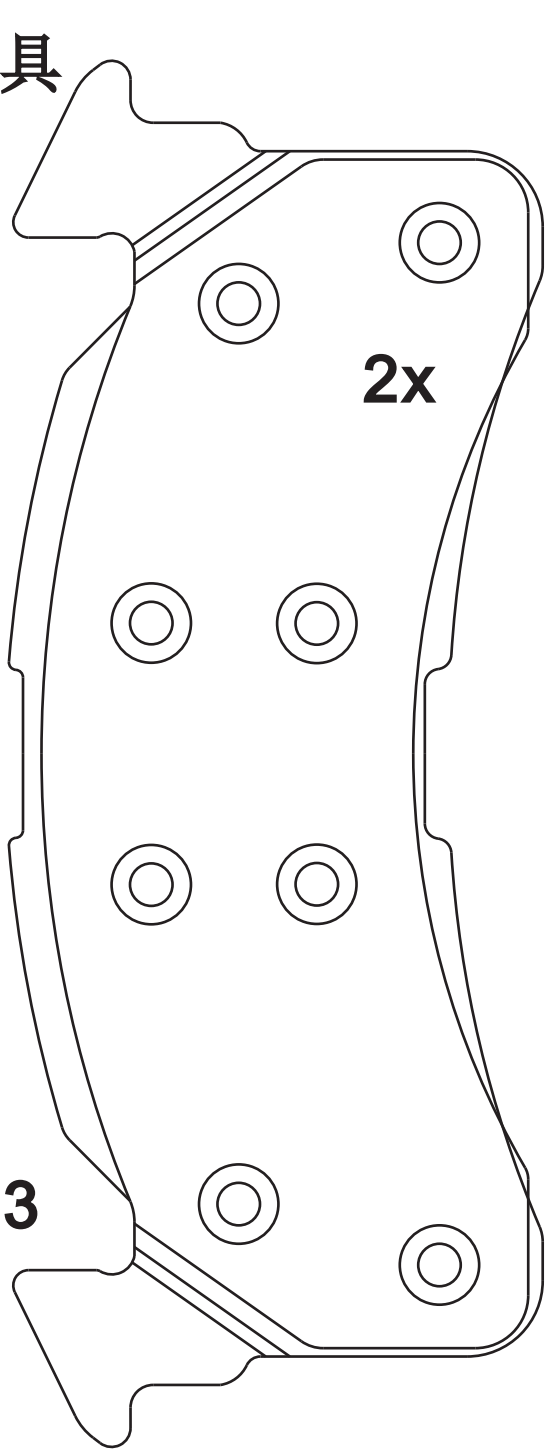
Toyota Previa

MPV

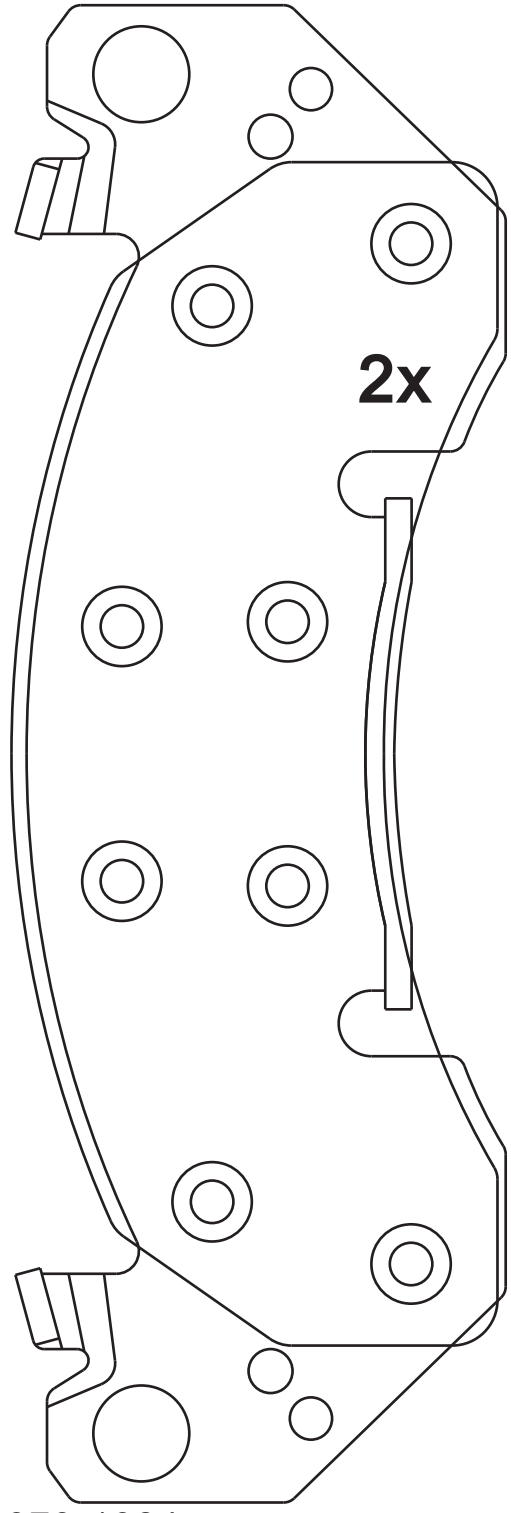
08.00-01.06

SR0600.01	Dimension (mm)	Thickness (mm)		NOTE 2 identical; 2 identical;
	183.3/197.4×70/63	17.4/13.4		

无模具



D153



Apply for:

Chevrolet C20	Truck	1979-1984
Chevrolet C30	Truck	1979-1984
Chevrolet G30	Truck	1979-1984
GMC C2500	Truck	1979-1984
GMC C3500	Truck	1979-1984
GMC P2500	Truck	1979-1984

SR0601.01

**Dimension
(mm)**

125.7/147.3×85.6/58.9

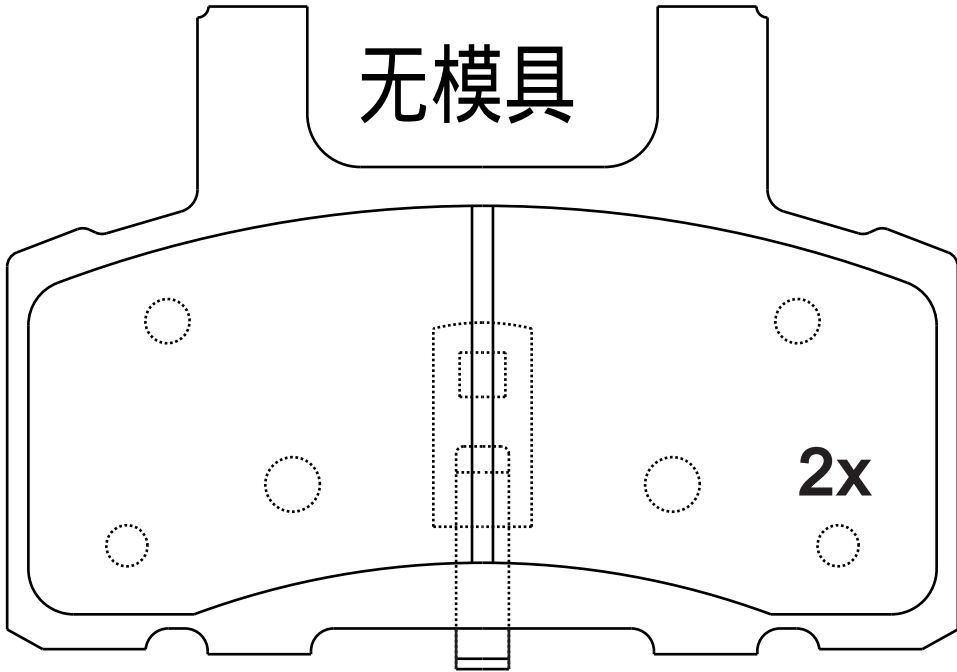
**Thickness
(mm)**

17/15.7

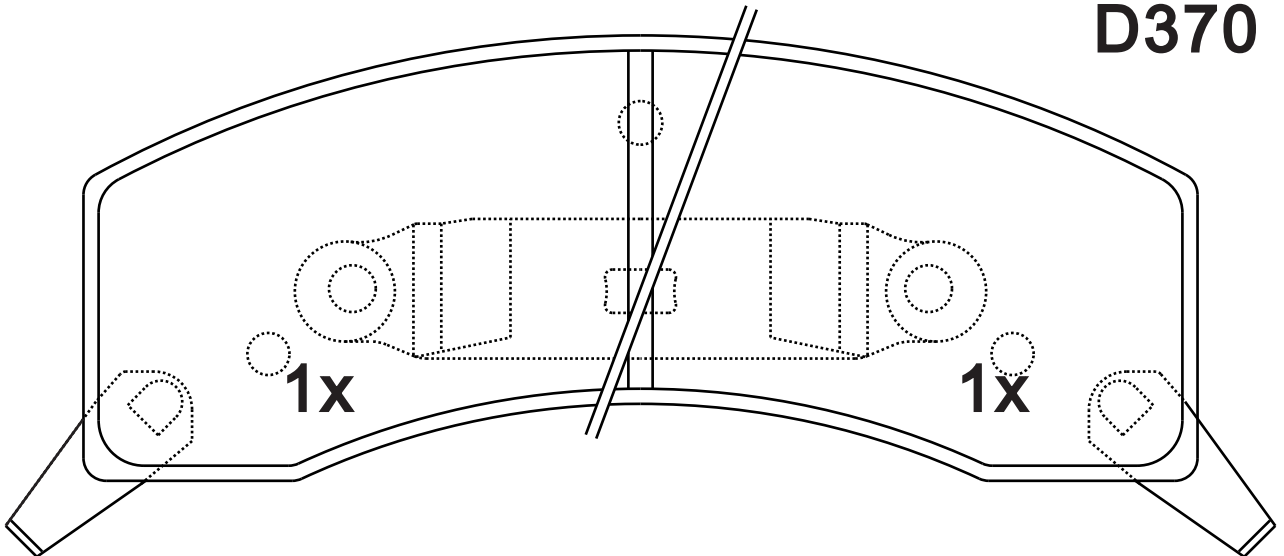


NOTE
2 identical; 2 identical, 1 with acoustic indicator (left), 1 with acoustic indicator (right).

无模具



D370



Apply for:

Cadillac Escalade

Closed off-Road

1998-2006

SR0602.01

**Dimension
(mm)**

216×67

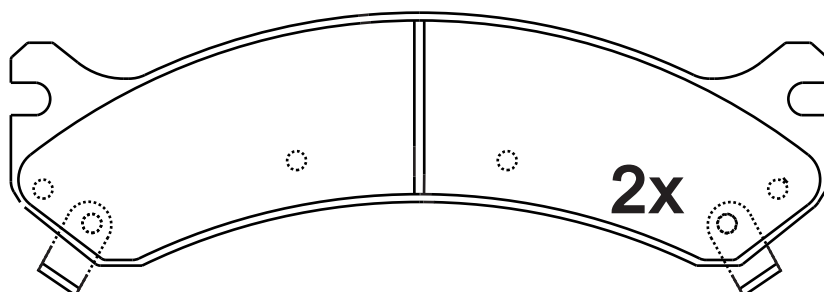
**Thickness
(mm)**

19

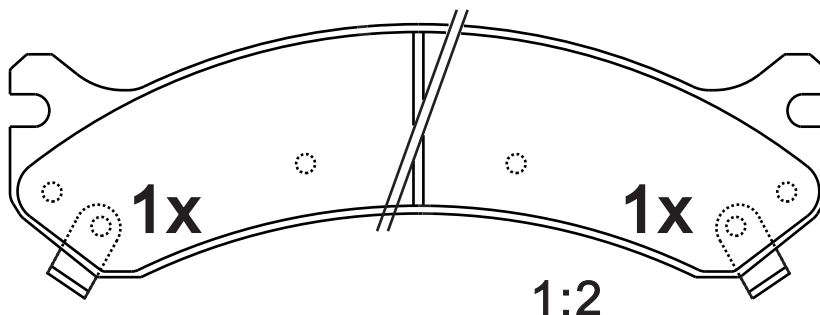


NOTE

4 identical, 1 with acoustic indicator(left),1 with acoustic indicator(right).



D784



Apply for:

Hummer H2 SUT

Pickup

09.04-

SR0603.01

**Dimension
(mm)**

176.8×59

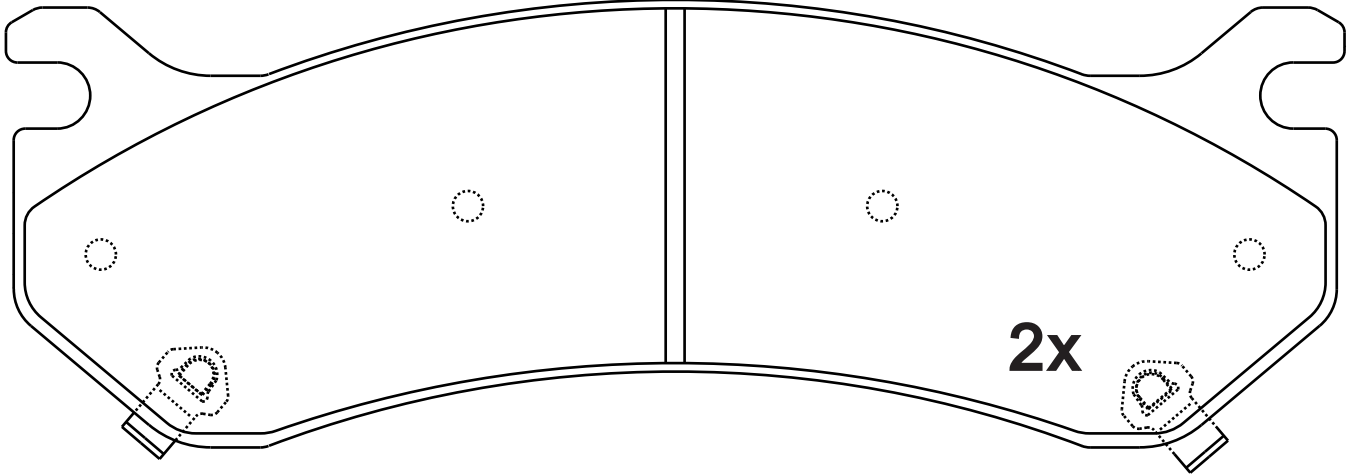
**Thickness
(mm)**

18.4

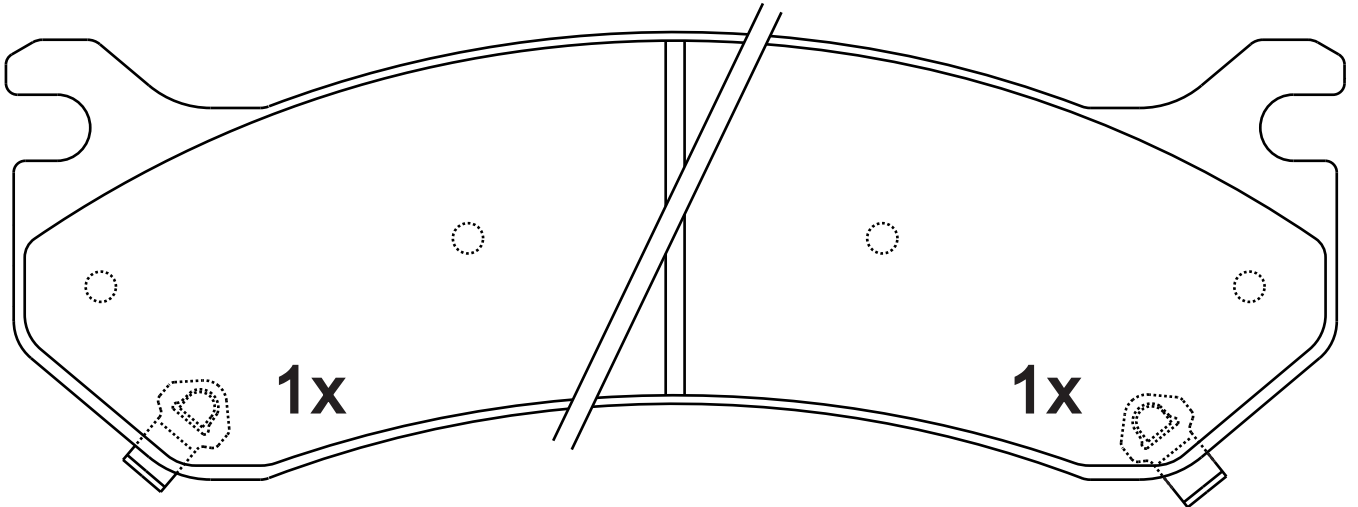


NOTE

4 identical, 1 with acoustic indicator (left), 1 with acoustic indicator (right).



D785



Apply for:

Hummer H2 SUT

Pickup

09.04-

SR0604.01

**Dimension
(mm)**

183.9×61.2

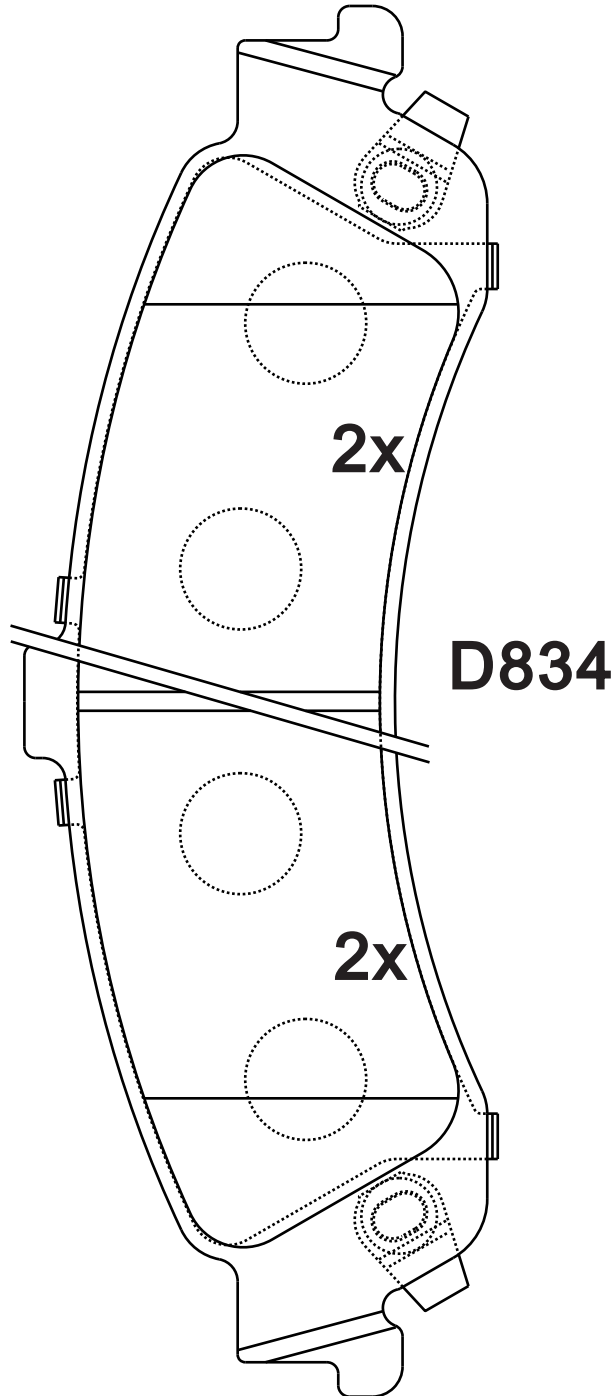
**Thickness
(mm)**

17



NOTE

4 identical, 2 with acoustic indicator (left), 2 with acoustic indicator (right).



Apply for:

Cadillac Escalade
Chevrolet Sonora
Chevrolet Silverado

Closed off-Road
Closed off-Road
Pickup

1998-2014
1999-2006
2006-2014

SR0605.01

**Dimension
(mm)**

176.8×62.7

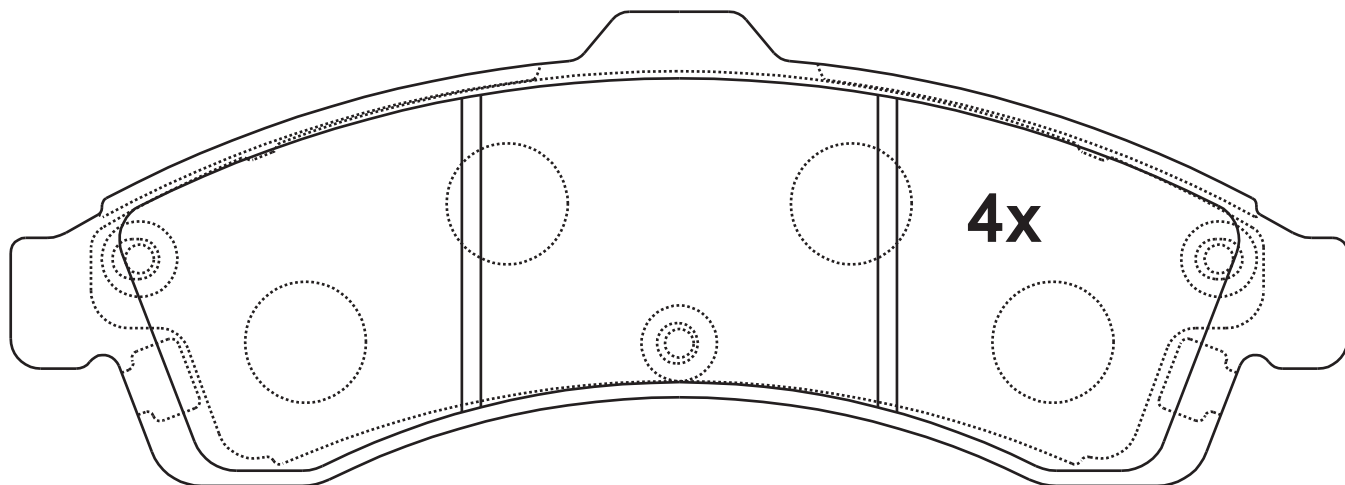
**Thickness
(mm)**

16.8



NOTE

4 identical;



D882

Apply for:

Buick Rainier		2004-2005
Chevrolet Trailblazer	Closed off-Road	2002-2005
GMC Envoy	Closed off-Road	2002-2005
Isuzu Ascender	Closed off-Road	2003--2008

SR0606.01

**Dimension
(mm)**

153×53

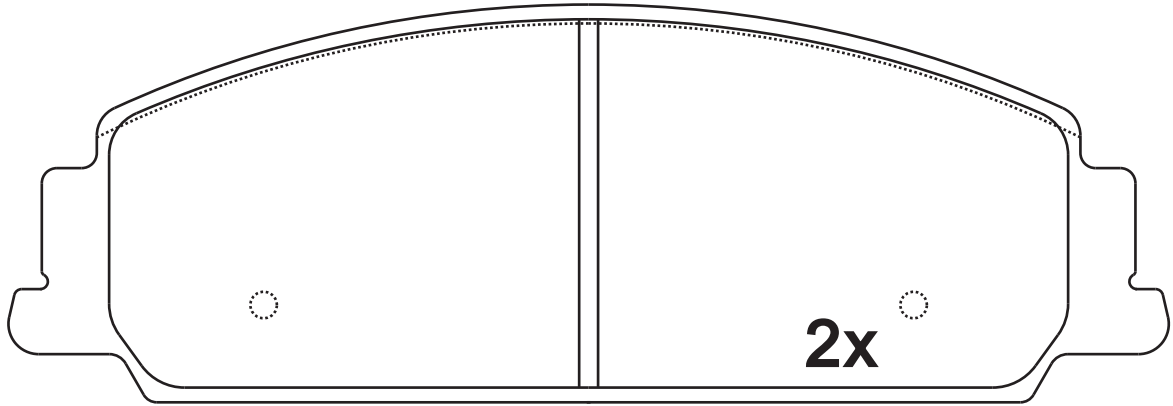
**Thickness
(mm)**

16.9

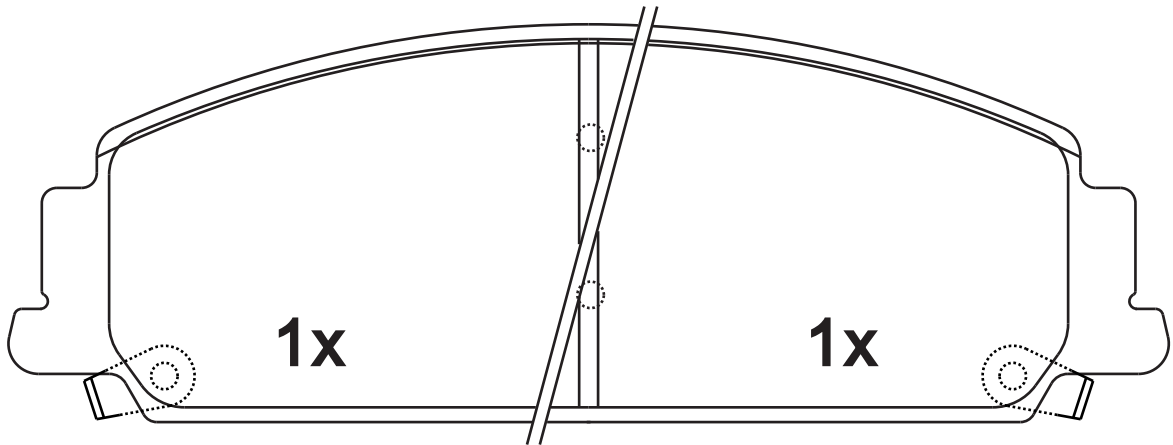


NOTE

4 identical, 1 with acoustic indicator (left), 1 with acoustic indicator(right).



D1351




Apply for:

Buick Park Avenue
Holden Commodore
Holden Commodore

Saloon
Saloon
Eatate

04.07-10.09
2006-2014
2008-2008

SR0607.01	Dimension (mm)	Thickness (mm)		NOTE

SR0608.01

**Dimension
(mm)**

142.7×45.3

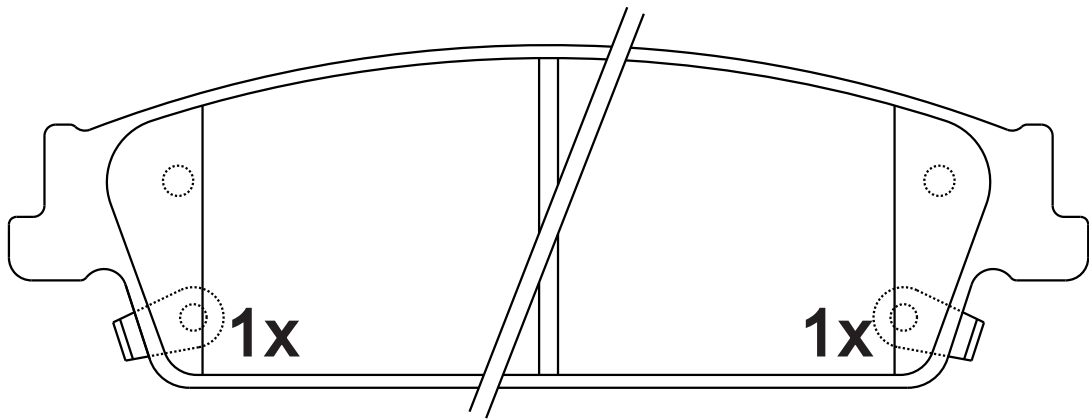
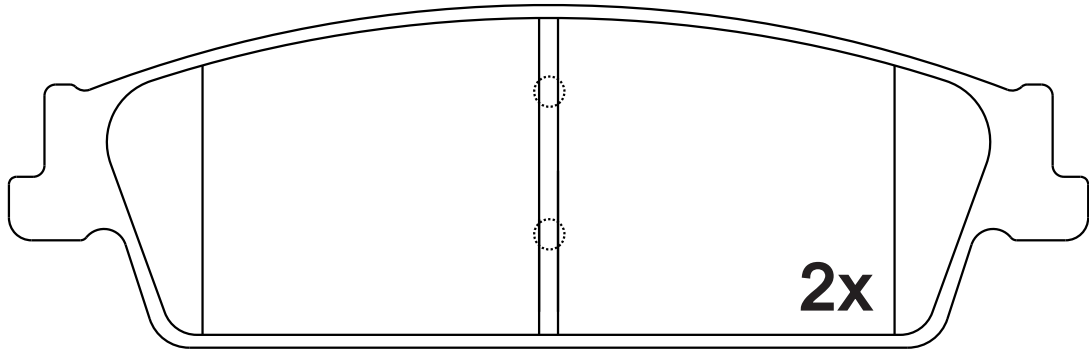
**Thickness
(mm)**

16.9



NOTE

4 identical, 1 with acoustic indicator(left),1 with acoustic indicator(right).



D1194

Apply for:

- CADILLAC Escalade 2007-2014
- CADILLAC Escalade ESV 2007-2013
- CADILLAC Escalade EXT 2007-2013
- CHEVROLET TRUCK Avalanche 2007-2013
- CHEVROLET TRUCK Silverado 1500 2007-2013
- CHEVROLET TRUCK Silverado 1500 Hybrid 2009-2013
- CHEVROLET TRUCK Suburban 1500 2007-2014
- CHEVROLET TRUCK Tahoe 2007-2014
- CHEVROLET TRUCK Tahoe Police 2007-2013
- GMC TRUCK Sierra 1500 2007-2013
- GMC TRUCK Sierra 1500 Hybrid 2009-2013
- GMC TRUCK Sierra Denali 2008-2010
- GMC TRUCK Sierra Denali 6.2L 2007
- GMC TRUCK Yukon 2007-2013
- GMC TRUCK Yukon XL 1500 2007-2013

SR0609.01

**Dimension
(mm)**

187.8×73.2
187.8×80.3

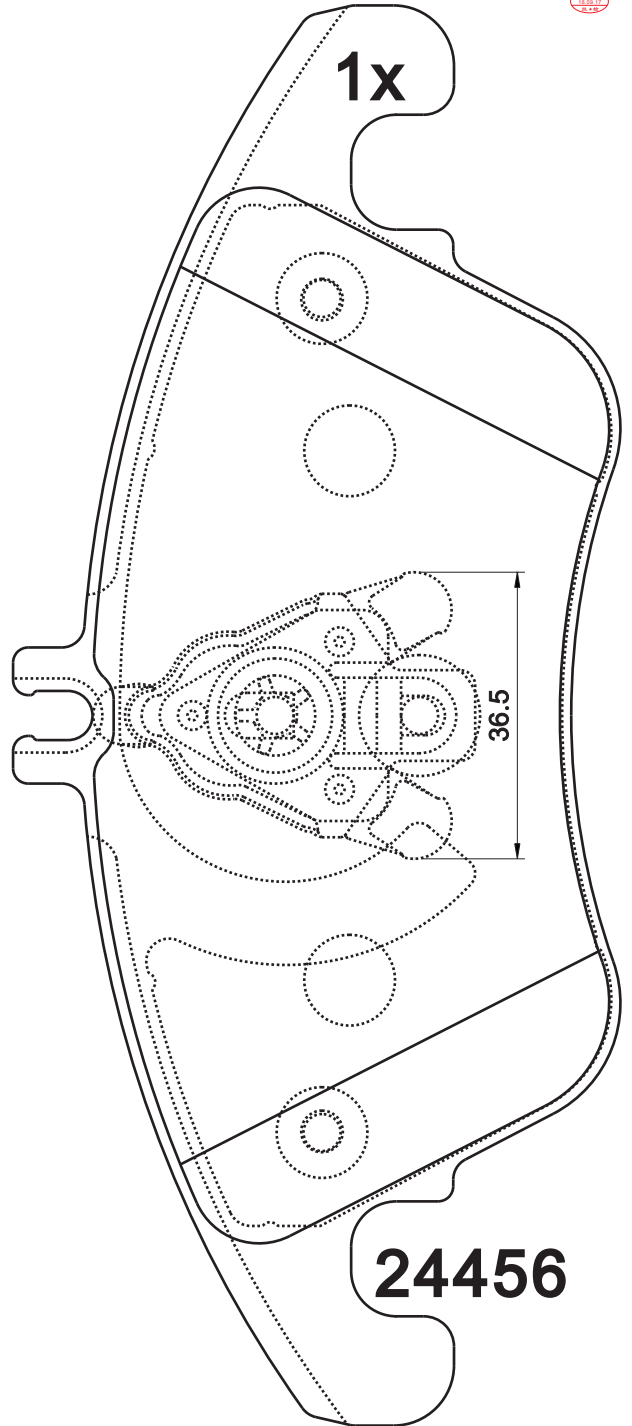
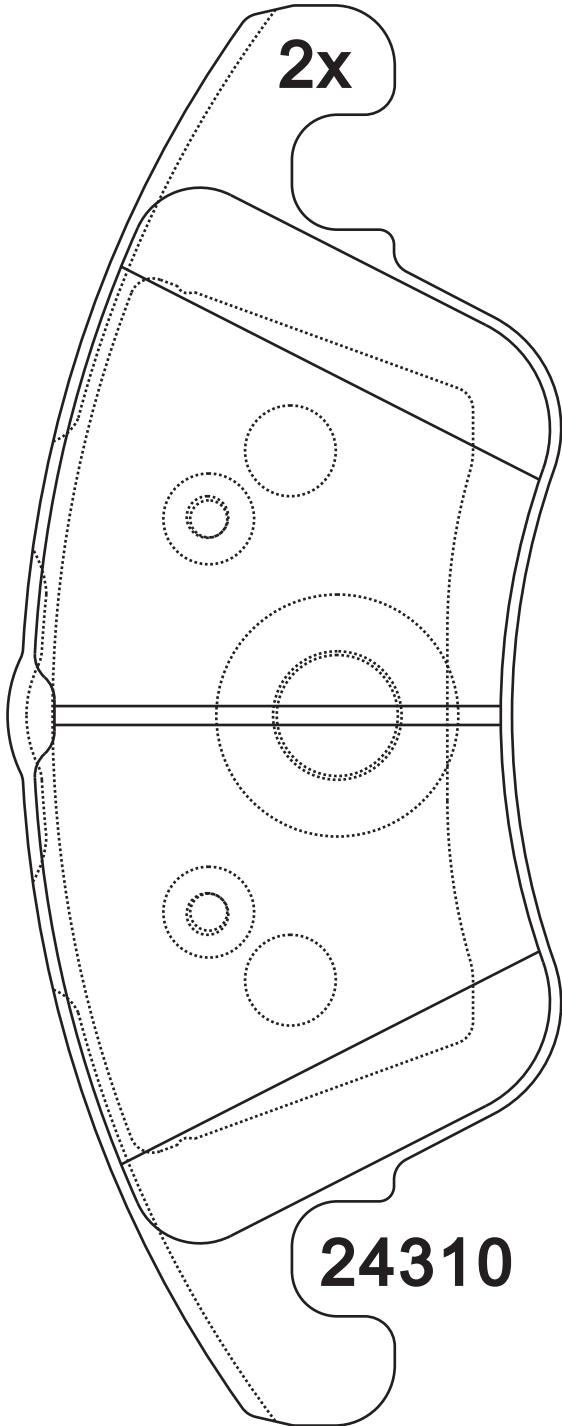
**Thickness
(mm)**

19



NOTE

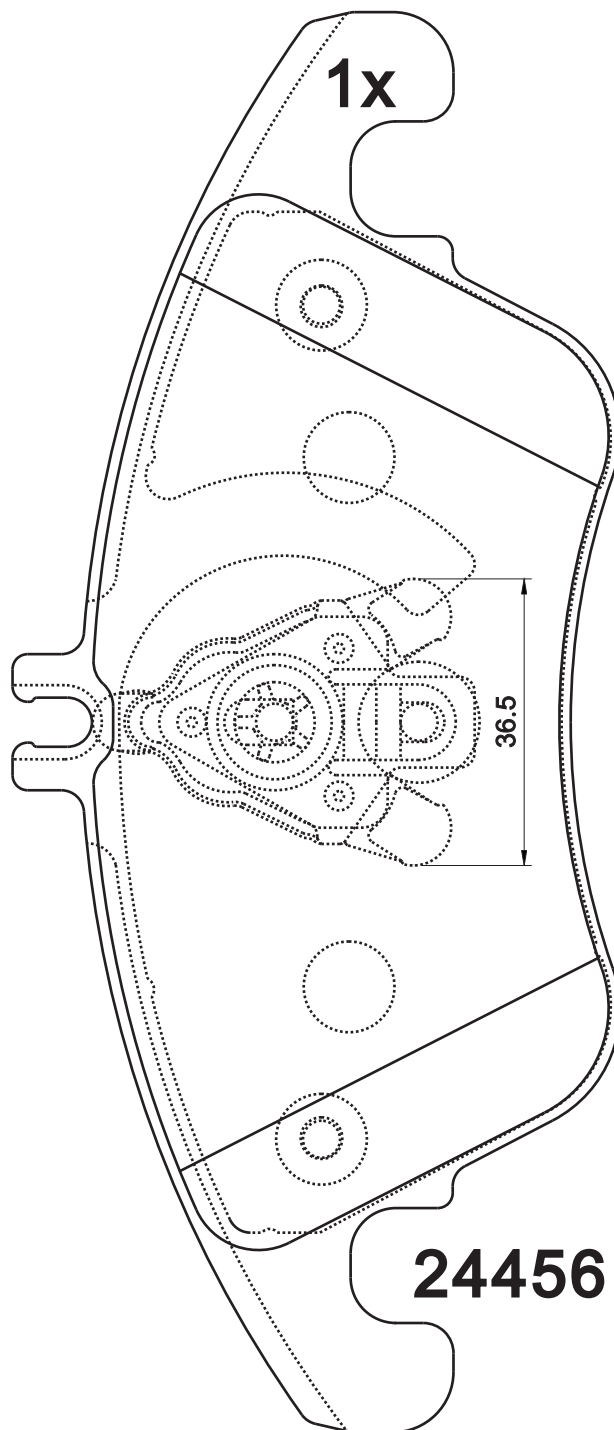
**2 identical; 2 identical
with spring.**



.....Next

SR0609.01**Dimension
(mm)**187.8×73.2
187.8×80.3**Thickness
(mm)**

19

**NOTE****2 identical; 2 identical
with spring.****Apply for:**

Mercedes C-Class	Saloon	01.07-01.14
Mercedes C-Class	Estate	08.07-08.14
Mercedes CLS	Estate	10.12-
Mercedes E-Class	Saloon	01.09-
Mercedes E-Class	Estate	11.09-
Mercedes E-Class	Coupe	01.09-
Mercedes E-Class	Convertible	01.10-

SR0609

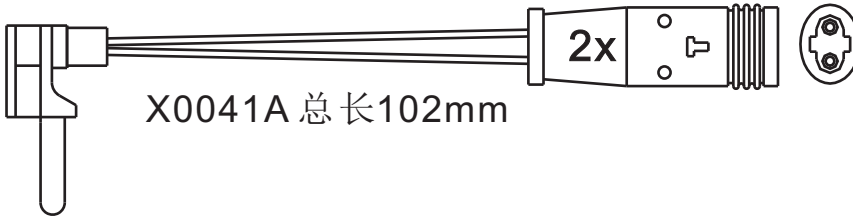
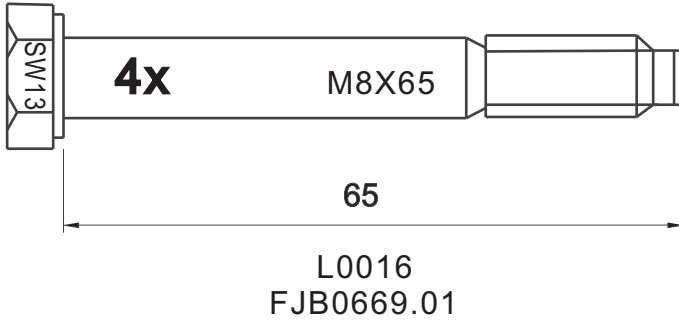
**Dimension
(mm)**

**Thickness
(mm)**

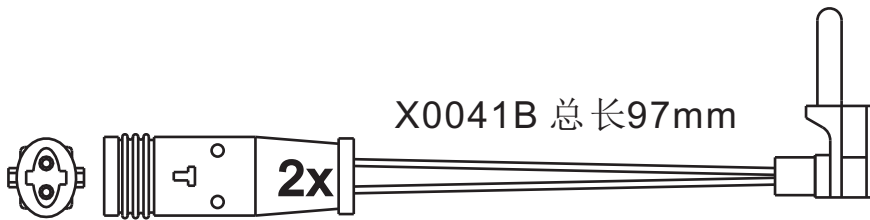


NOTE

**附件包
Accessory bag**



FJB2X0041A



FJB2X0041B

SR0610.01

**Dimension
(mm)**

**Thickness
(mm)**

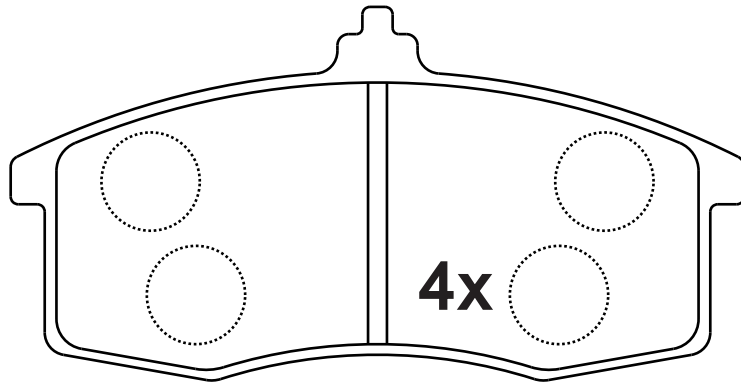


NOTE

4 identical;

97×49.4

15



1111-3501080



Apply for:

Lada OKA (1111) 0.8

Hatchback

1988-

SR0611.01

**Dimension
(mm)**

151.8×60.8

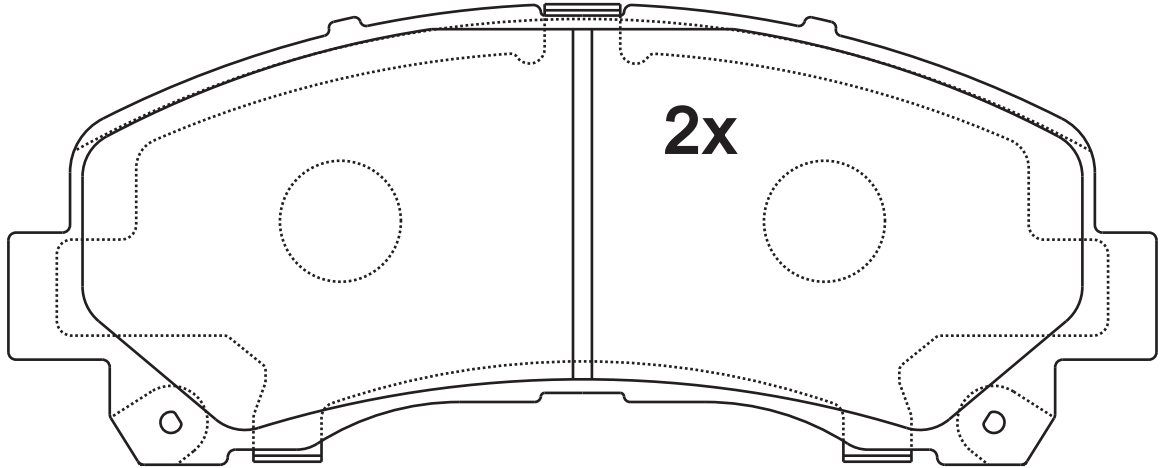
**Thickness
(mm)**

17

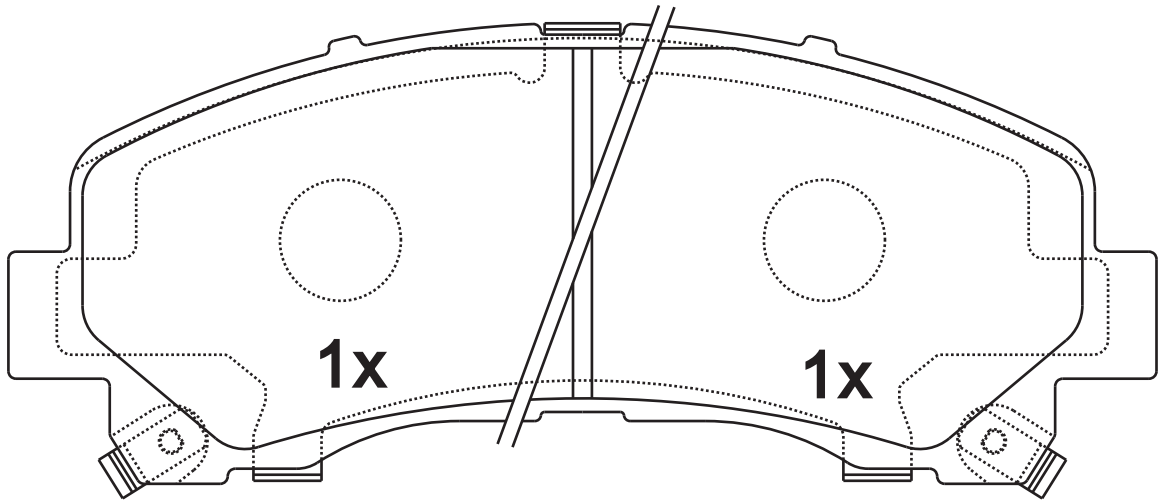


NOTE

4 identical, 1 with acoustic indicator (left), 1 with acoustic indicator (right).



25149



25151

25150

Apply for:

Isuzu	D-max	Pickup	06.12-
Isuzu	D-max	Platform	06.12-
Isuzu	Rodeo	Closed off-Road	05.02-

SR0611.02

**Dimension
(mm)**

**Thickness
(mm)**

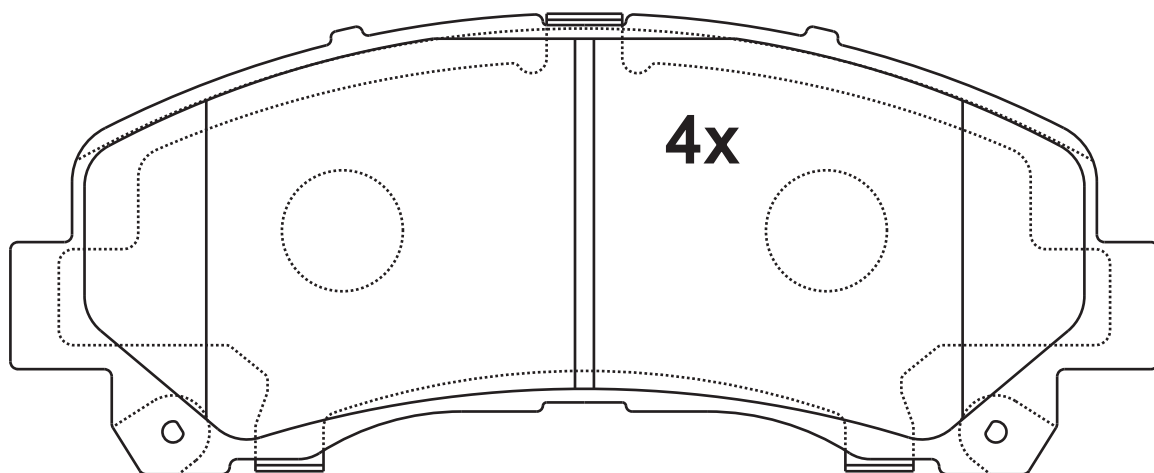


NOTE

4 identical;

151.8×60.8

17



25149

Apply for:

Isuzu	D-max	Pickup	06.12-
Isuzu	D-max	Platform	06.12-
Isuzu	Rodeo	Closed off-Road	05.02-

SR0611

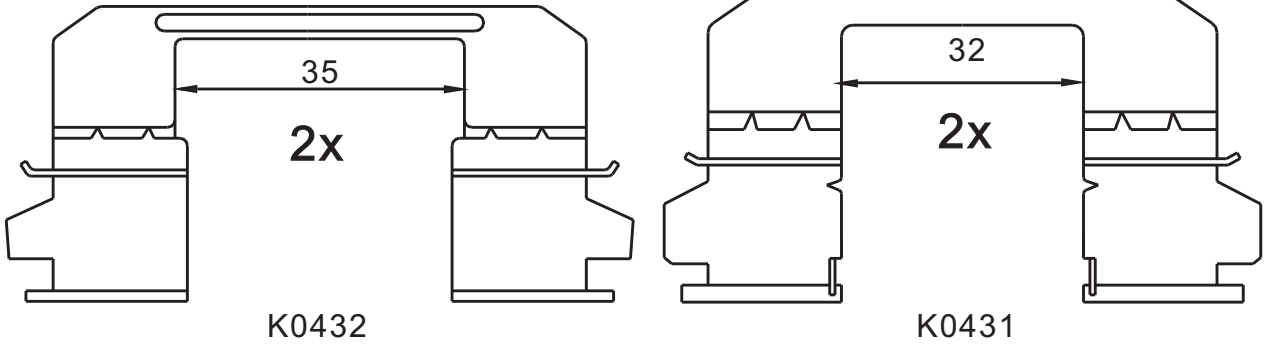
**Dimension
(mm)**

**Thickness
(mm)**



NOTE

**附件包
Accessory bag**

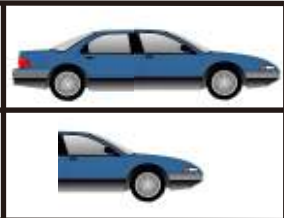


FJB0611.01

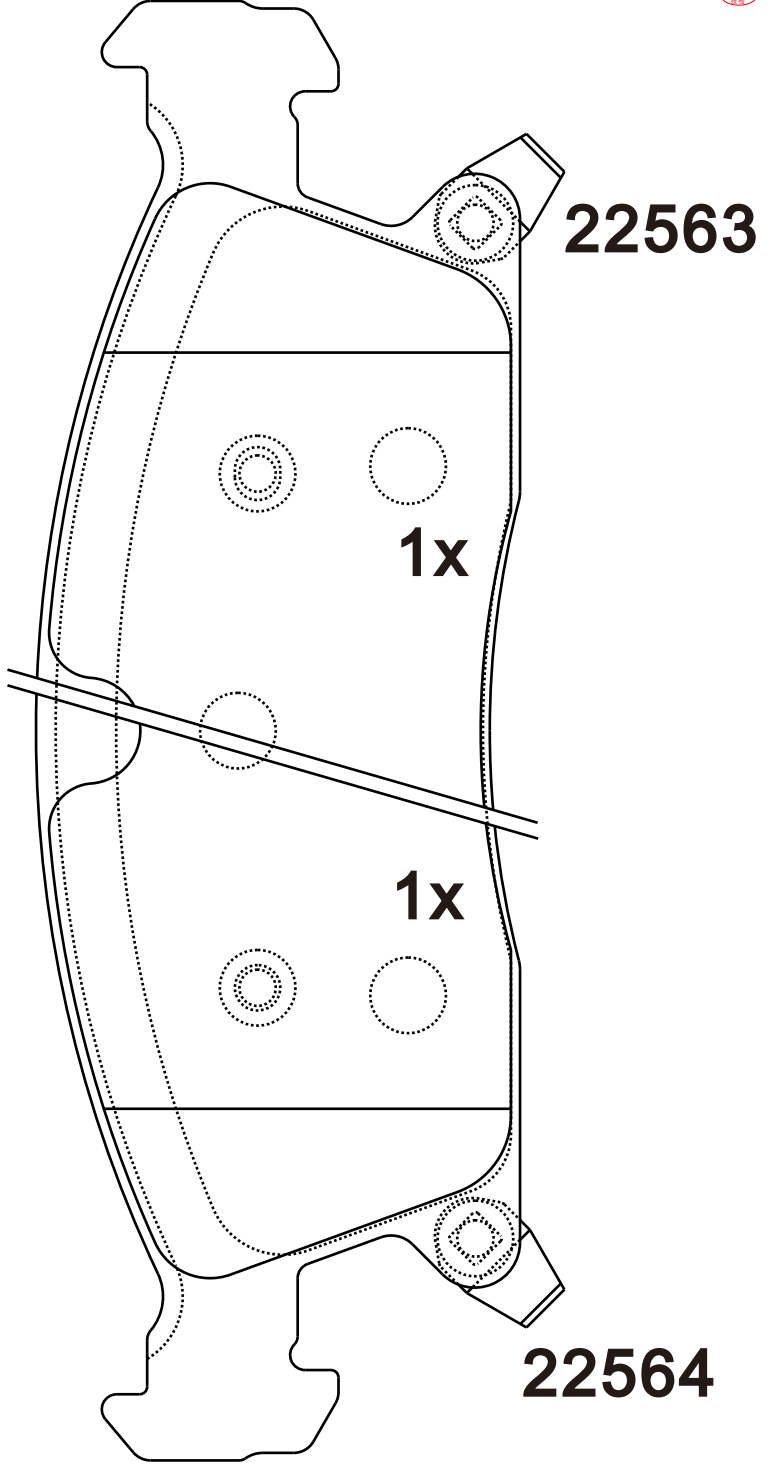
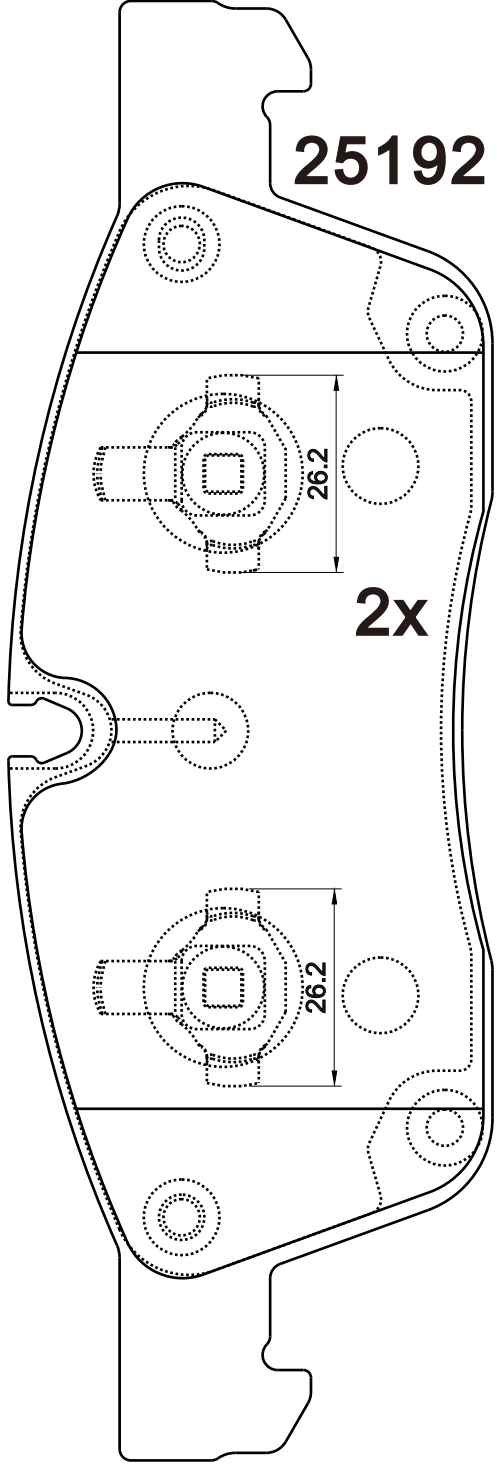
SR0612.01

Dimension (mm)
193×64

Thickness (mm)
21.3



NOTE
2 identical; 2 identical, 1 with acoustic indicator (left), 1 with acoustic indicator (right).



Apply for:

Jeep Grand Cherokee IV
Mercedes M-Class
Mercedes GL-Class
Mercedes GLE-Class

Closed off-Road
Closed off-Road
Closed off-Road
Closed off-Road

11.10-
06.11-
07.12-
04.15-

SR0612.02

**Dimension
(mm)**

193×64

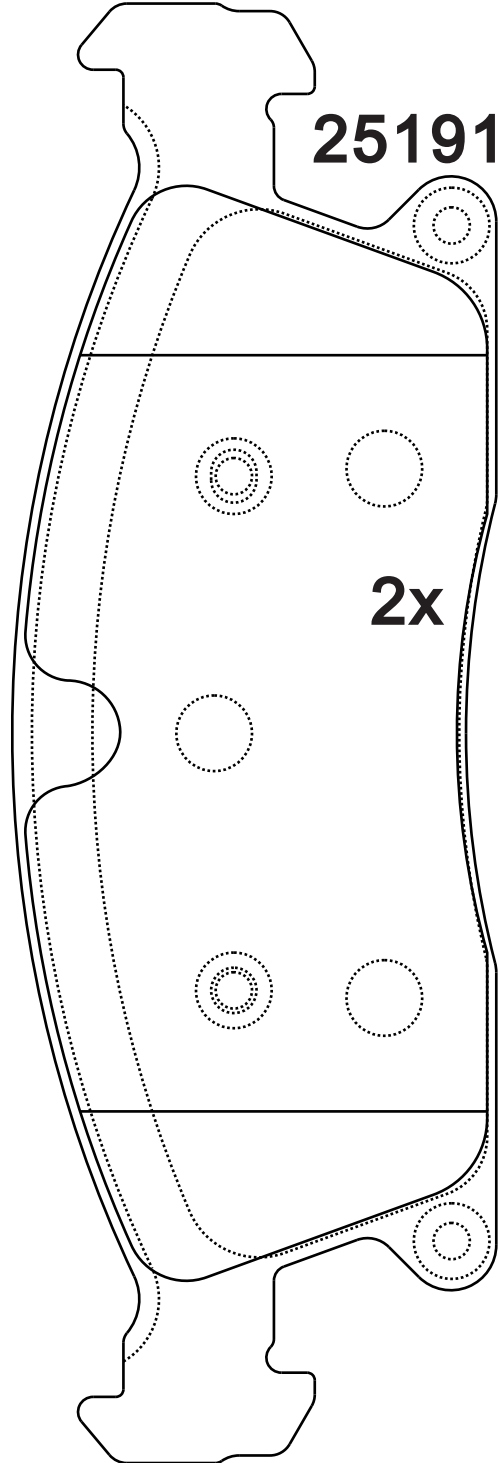
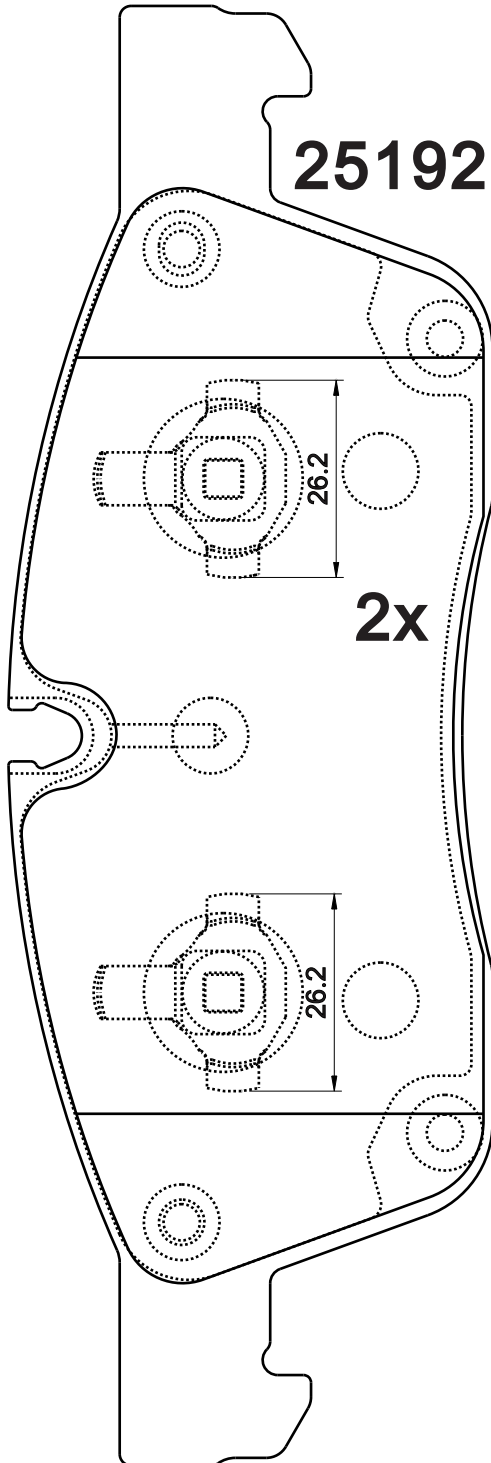
**Thickness
(mm)**

21.3



NOTE

2 identical; 2 identical;



Apply for:

Jeep Grand Cherokee IV
Mercedes M-Class
Mercedes GL-Class
Mercedes GLE-Class

Closed off-Road
Closed off-Road
Closed off-Road
Closed off-Road

11.10-
06.11-
07.12-
04.15-

SR0612

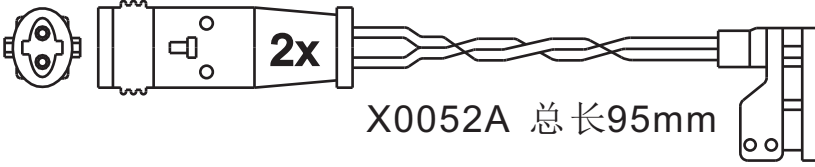
**Dimension
(mm)**

**Thickness
(mm)**



NOTE

附件包
Accessory bag



X0052A 总长95mm

FJB2X0052A

SR0613.01

**Dimension
(mm)**

109.6×42.3

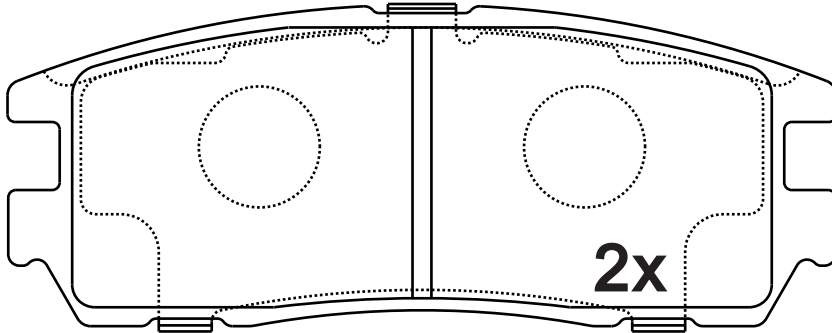
**Thickness
(mm)**

16

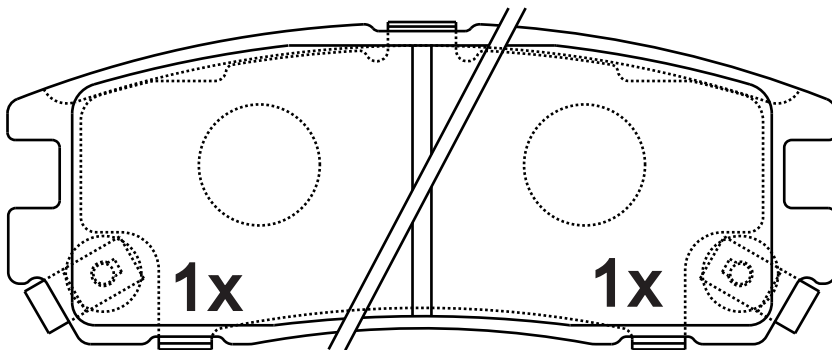


NOTE

2 identical; 2 identical, 1 with acoustic indicator (left), 1 with acoustic indicator (right).



21875



21877

21876

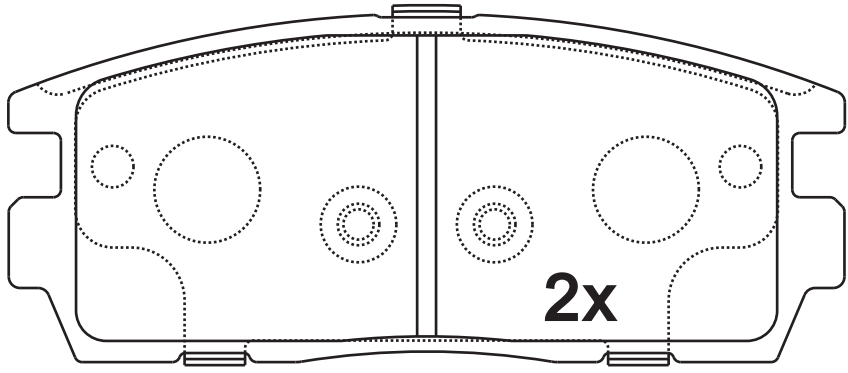
Apply for:

Isuzu Trooper	Closed off-Road	08.91-07.98
Isuzu Trooper	Open off-Road	08.91-07.98
Isuzu Trooper 3.5/3.0	Closed off-Road	08.91-07.98
Isuzu Trooper 3.5/3.0	Open off-Road	08.91-07.98

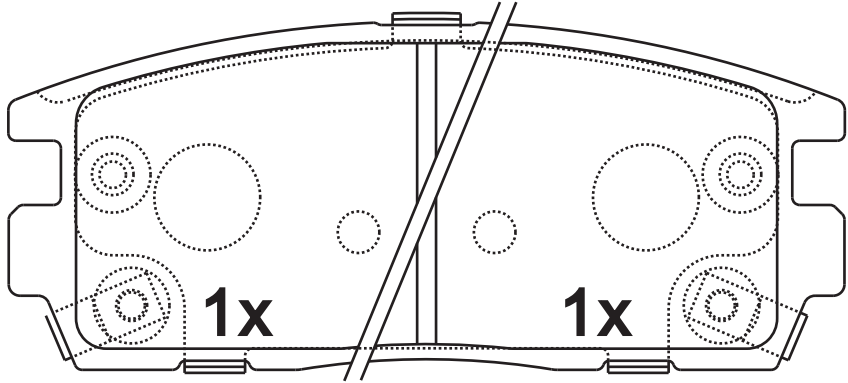
SR0613.02

Dimension (mm)	Thickness (mm)	
110.6×45.9	15	

NOTE
2 identical;2 identical,1 with acoustic indicator (left),1 with acoustic indicator(right).



24498



24500

24499

Apply for:

- | | |
|-----------------------------------|-----------|
| Chevrolet Truck Captiva Sport | 2012-2014 |
| Chevrolet Truck Equinox | 2007-2014 |
| Gmc Truck Terrain (Latin America) | 2014 |
| Gmc Truck Terrain | 2010-2014 |
| Pontiac Torrent | 2007-2009 |
| Saturn Vue | 2008-2010 |
| Suzuki XL-7 | 2007-2009 |

SR0613

**Dimension
(mm)**

**Thickness
(mm)**



NOTE

**附件包
Accessory bag**



DX0038



FJB0613.01

SR0614.01

**Dimension
(mm)**

**Thickness
(mm)**



NOTE

SR0615.01

**Dimension
(mm)**

**Thickness
(mm)**

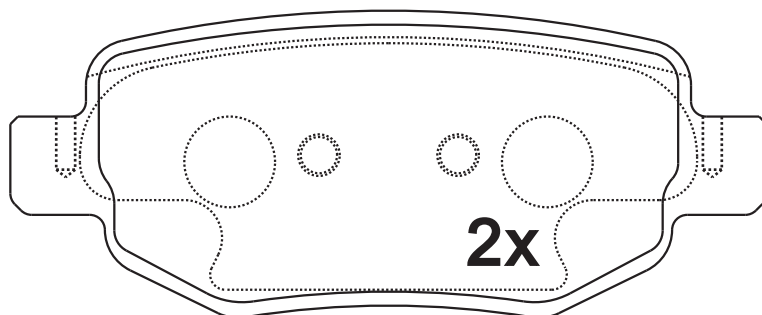


NOTE

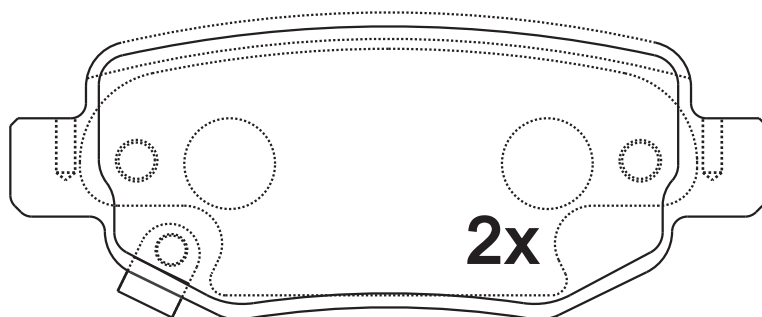
**2 identical; 2 identical
with acoustic indicator
(right).**

100.1×40.6

15.8



D1673



Apply for:

Chery A3	Saloon	09.08-
Chery A3	Hatchback	01.09-
Chery Arrizo	Saloon	07.13-
Chery E5	Saloon	07.11-
Chery Qiyun	Saloon	05.10-
Chery Tiggo	Closed off-Road	03.05-

SR0616.01

**Dimension
(mm)**

136.2×56.1

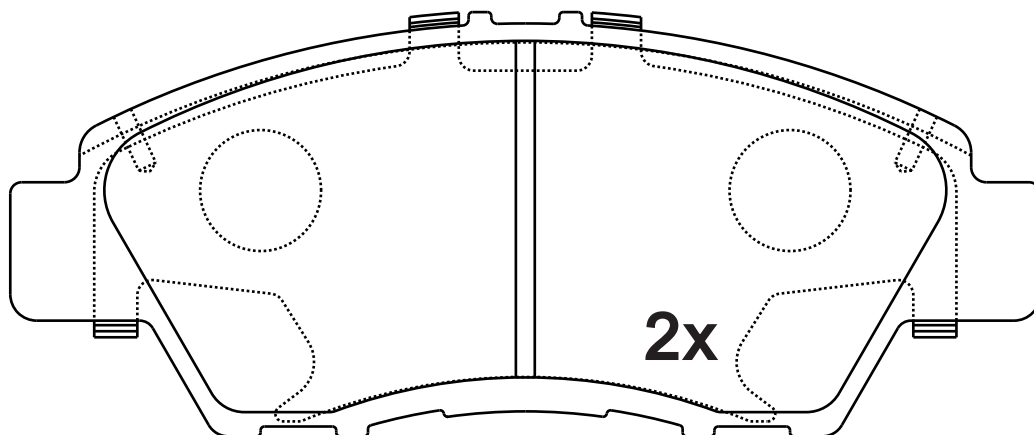
**Thickness
(mm)**

15.9

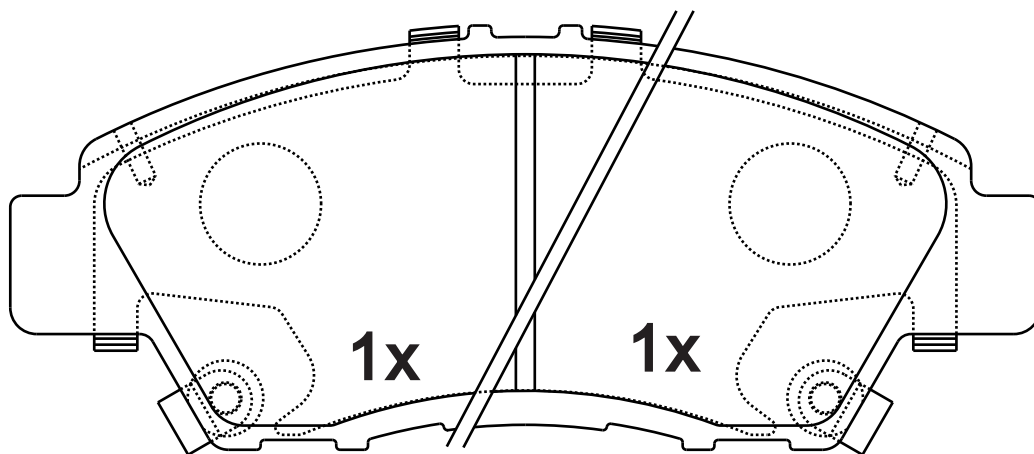


NOTE

4 identical, 1 with acoustic indicator(left), 1 with acoustic indicator(right).



24979



24980

24981

Apply for:

Honda Insight
Honda Jazz III

Hatchback
Hatchback

04.09-
07.08-

SR0616

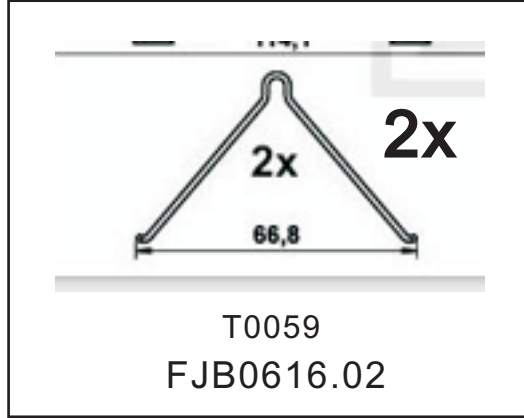
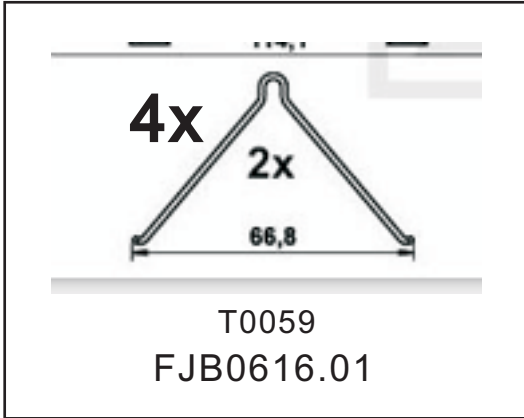
**Dimension
(mm)**

**Thickness
(mm)**



NOTE

**附件包
Accessory bag**



SR0617.01

**Dimension
(mm)**

167.1×54

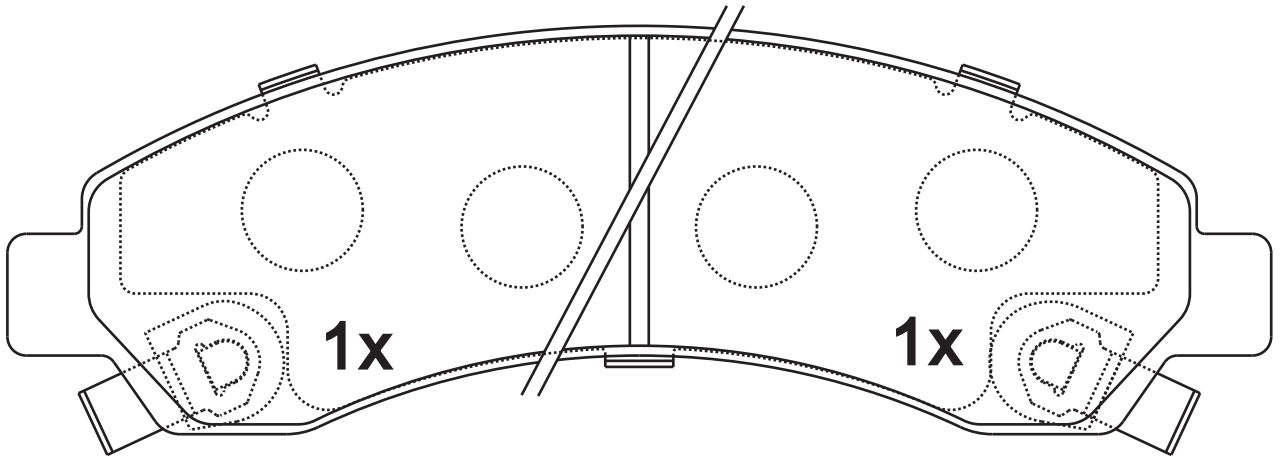
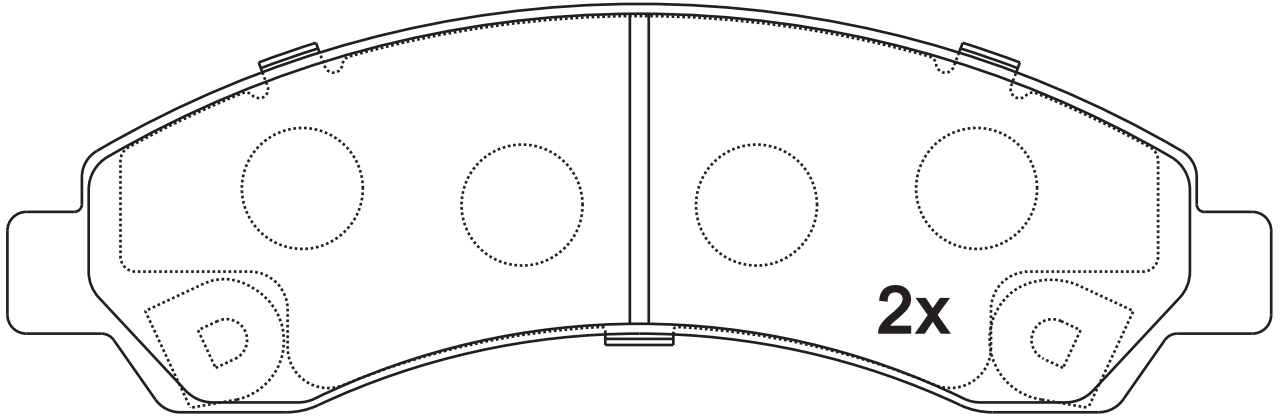
**Thickness
(mm)**

16.5



NOTE

4 identical, 1 with acoustic indicator (left), 1 with acoustic indicator (right).



Apply for:

Haval

SR0617.02

**Dimension
(mm)**

167.1×54

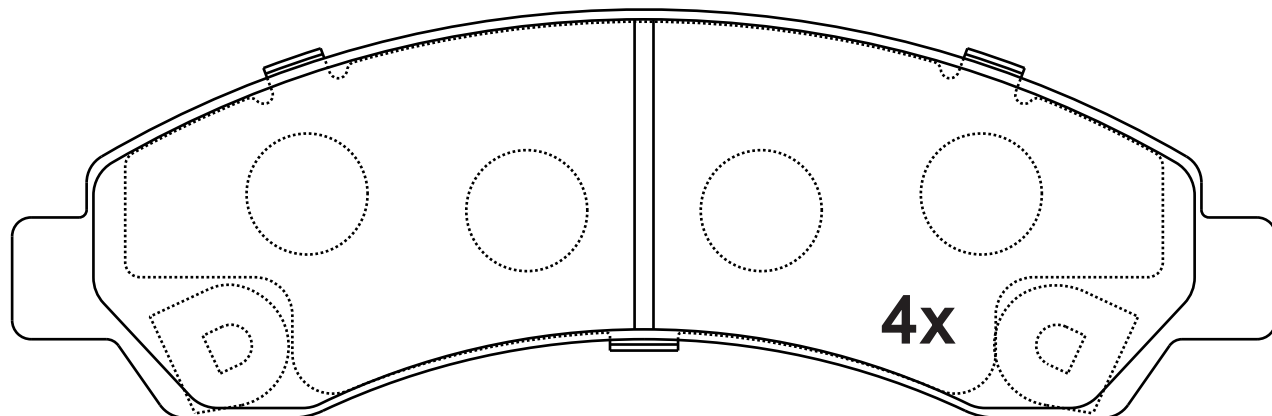
**Thickness
(mm)**

15.5



NOTE

4 identical;



Apply for:

Haval

SR0617.03

**Dimension
(mm)**

167.1×54

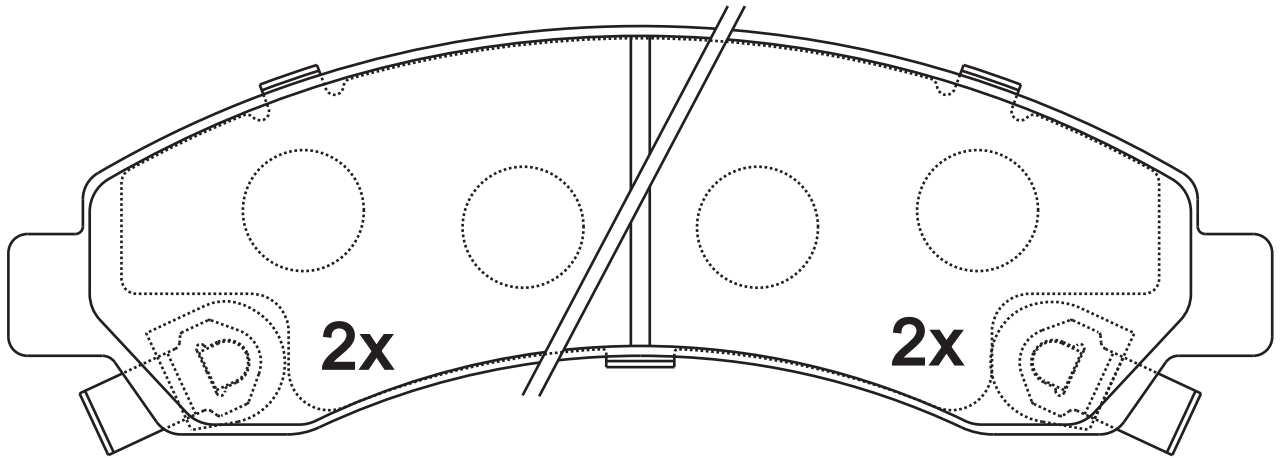
**Thickness
(mm)**

16



NOTE

2 identical; 2 identical, 2 with acoustic indicator (left), 2 with acoustic indicator (right)



GDB7821

Apply for:

CHEVROLET
ISUZU D-MAX I

2005-2006
2007-2012

SR0618.01

**Dimension
(mm)**

150×49.8/54

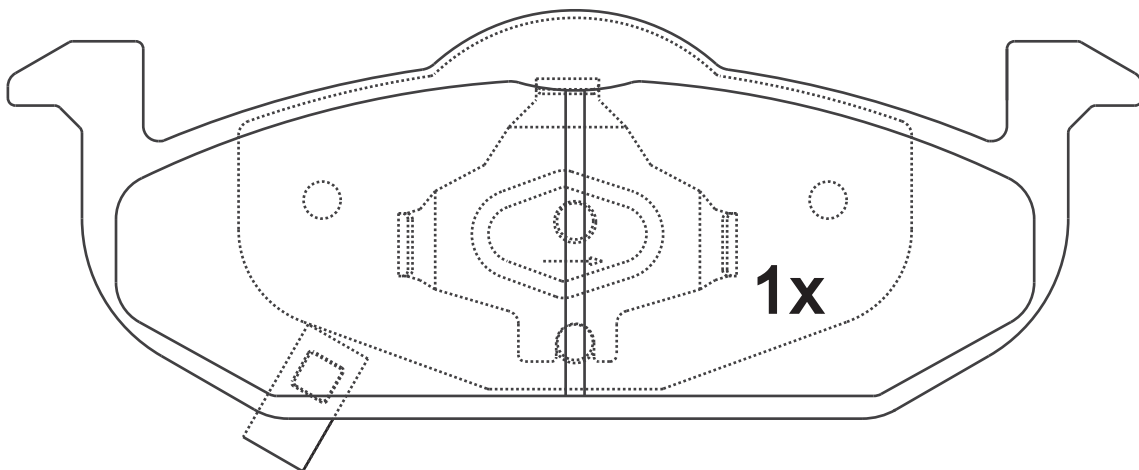
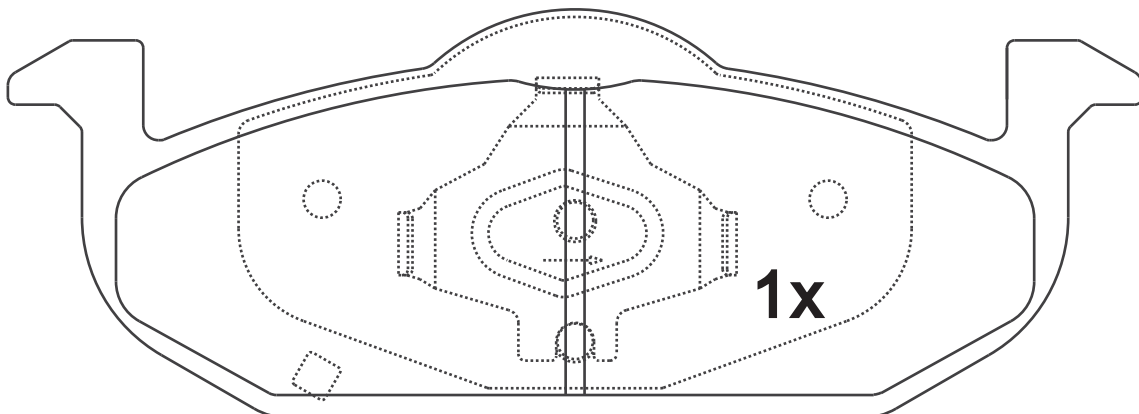
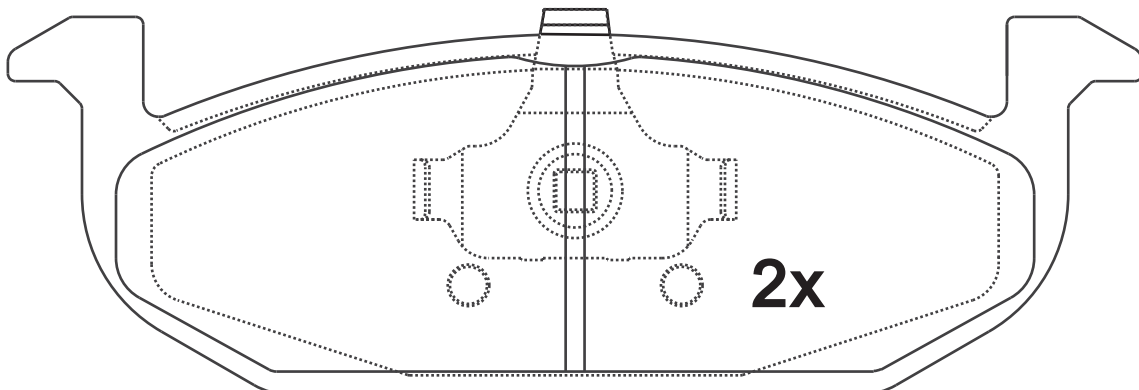
**Thickness
(mm)**

15.3



NOTE

**4 identical with spring,
1 with acoustic indicator
(right).**



GDB7832

Apply for:

MG MG5
Roewe 350

Hatchback
Saloon

03.12-
04.10-

SR0619.01

**Dimension
(mm)**

136.8×67.6

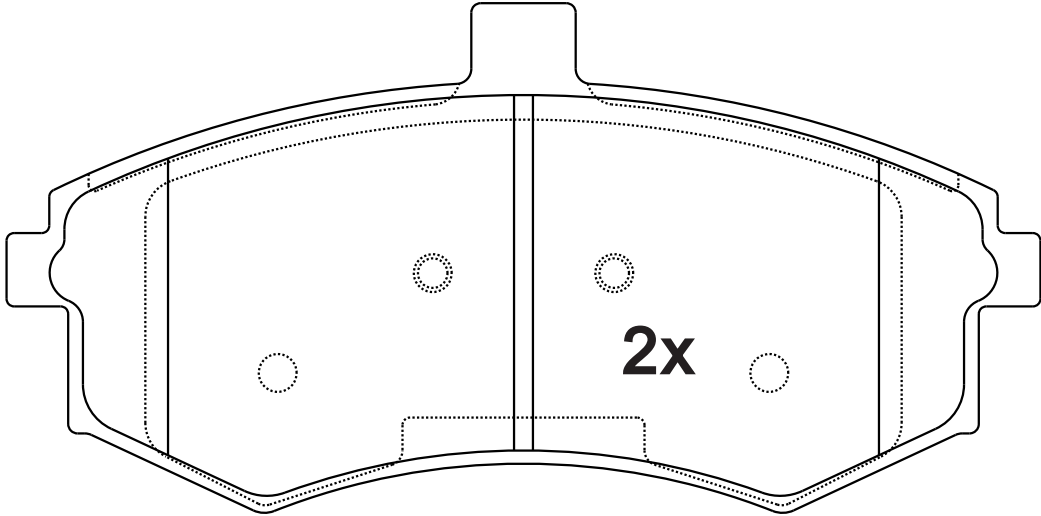
**Thickness
(mm)**

17

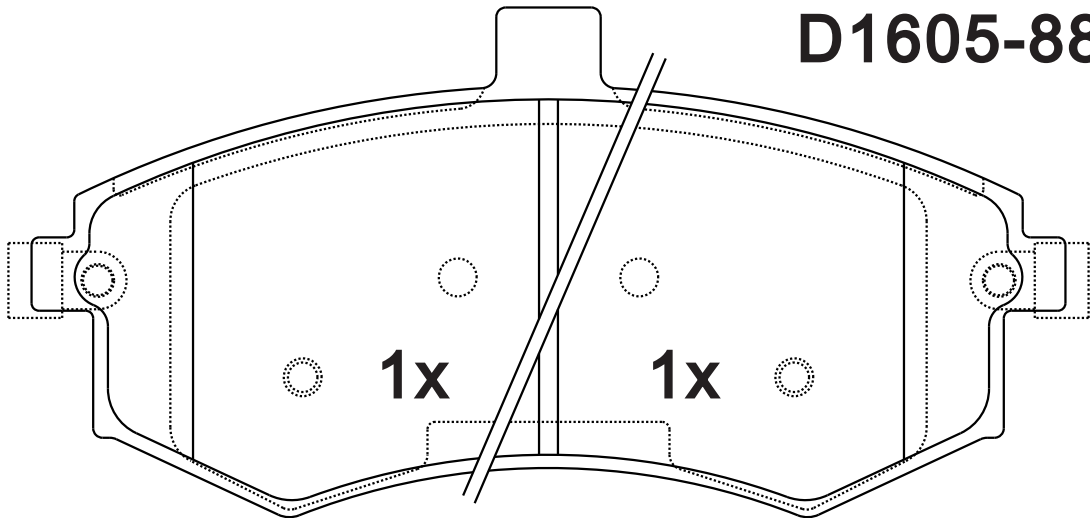


NOTE

4 identical, 1 with acoustic indicator(left), 1 with acoustic indicator(right).



D1605-8819



Apply for:

Jianghuai HeYue

Saloon

SR0620.01

**Dimension
(mm)**

156.5×73.7

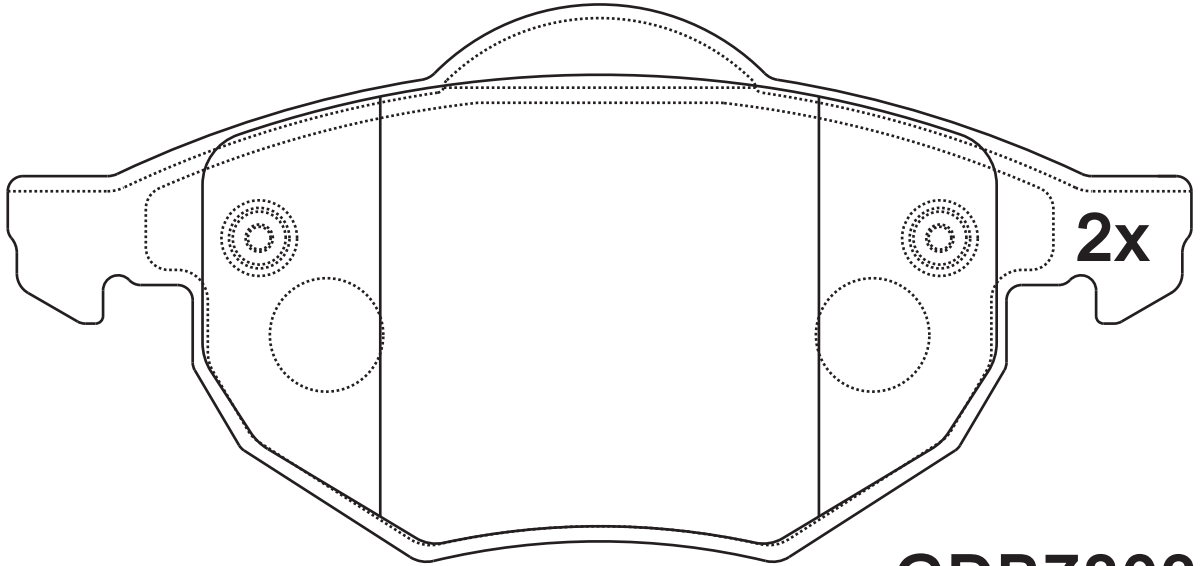
**Thickness
(mm)**

19.3

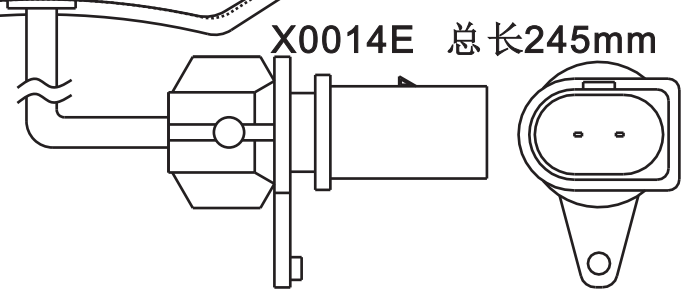
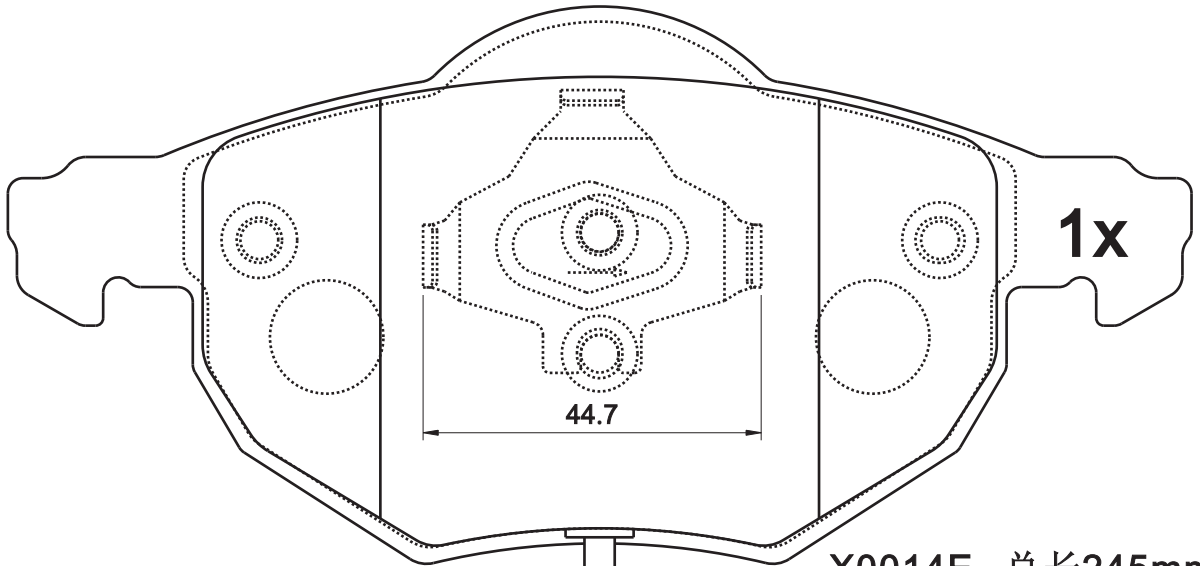


NOTE

**2 identical ; 2 identical
with wear warning
contact.**



GDB7803



... ..Next

SR0620.01

**Dimension
(mm)**

156.5×73.7

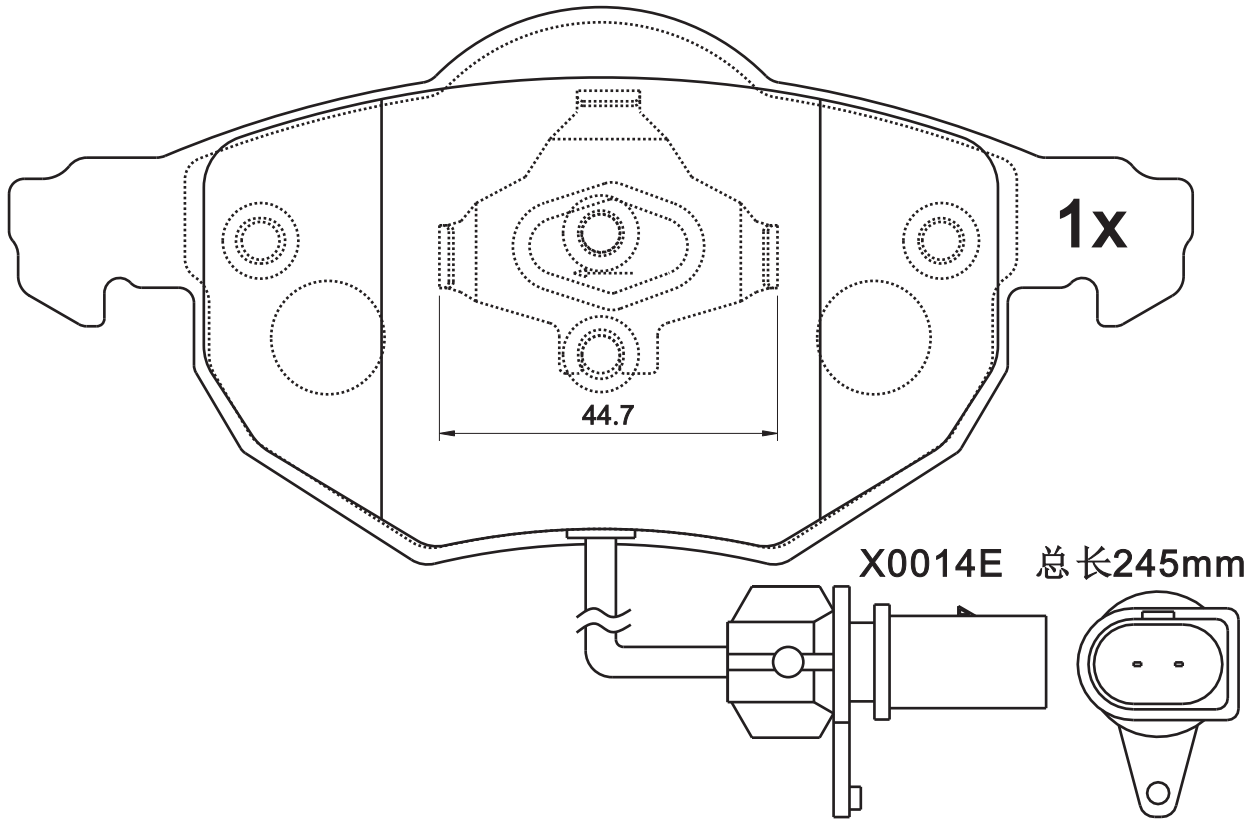
**Thickness
(mm)**

19.3



NOTE

**2 identical ;2 identical
with wear warning
contact.**



GDB7803

Apply for:

Zhonghua Junjie
Zhonghua Kubao
Zhonghua Zunchi

Saloon
Coupe
Saloon

02.06-
09.07-
12.04-

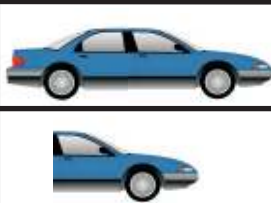
SR0621.01

**Dimension
(mm)**

116.2×54.8

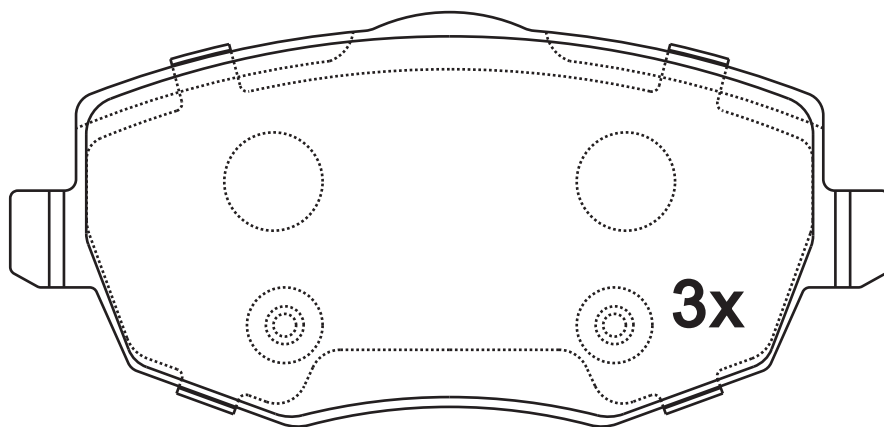
**Thickness
(mm)**

16.7

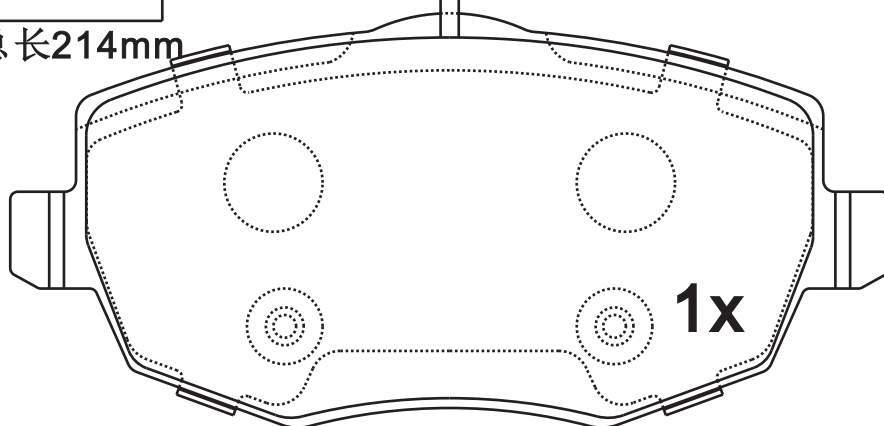
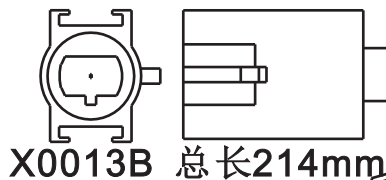


NOTE

4 identical ;1with warn indicator.



24073



24515

Apply for:

Lancia Ypsilon

Hatchback

10.03-12.11

SR0621.02

**Dimension
(mm)**

**Thickness
(mm)**

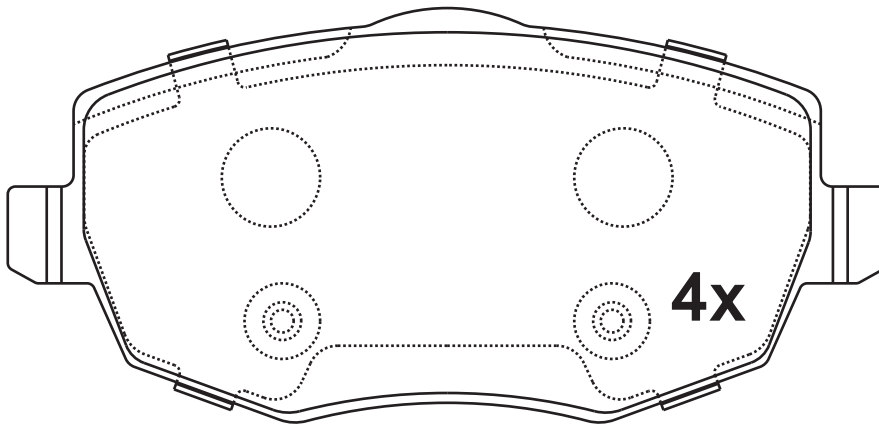


NOTE

4 identical ;

116.2×54.8

16.7



24073

Apply for:

Lancia Ypsilon

Hatchback

10.03-12.11

SR0621.03

**Dimension
(mm)**

116.2×54.8

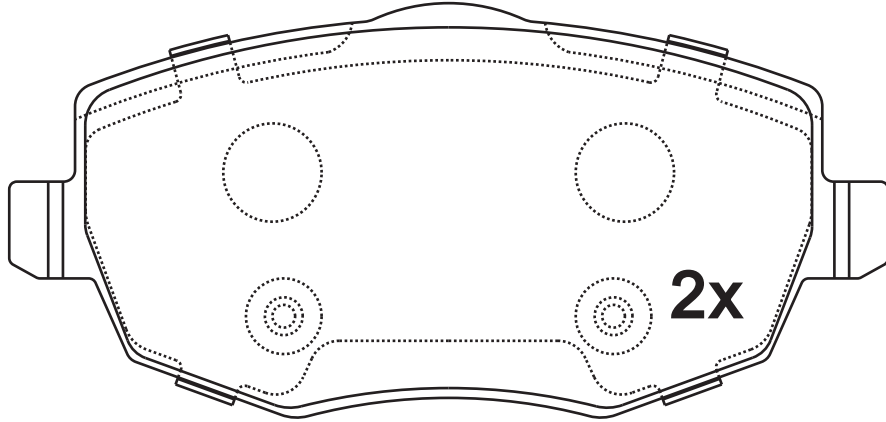
**Thickness
(mm)**

16.7

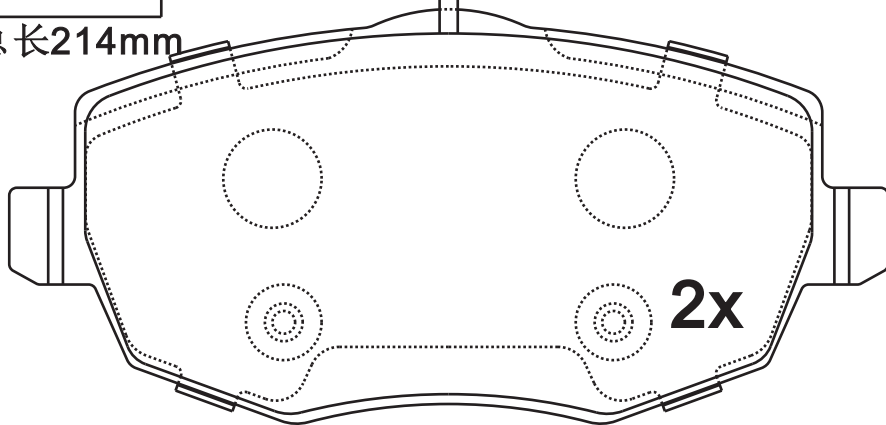
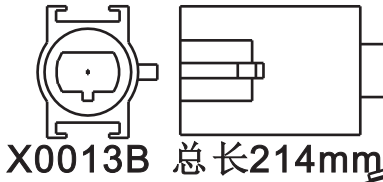


NOTE

4 identical ;1with warn indicator.



24073



24515

Apply for:

Lancia Ypsilon

Hatchback

10.03-12.11

SR0621.04

Dimension (mm)	Thickness (mm)	
116.2×54.8	16.4	

NOTE
4 identical, 2 with warn indicator.



24073 24515

Apply for:

- LANCIA YPSILON (843_) 1.2 (843.AXA1A) 2003-2011
- LANCIA YPSILON (843_) 1.4 LPG (843.AXG1A) 2010-2011

SR0621

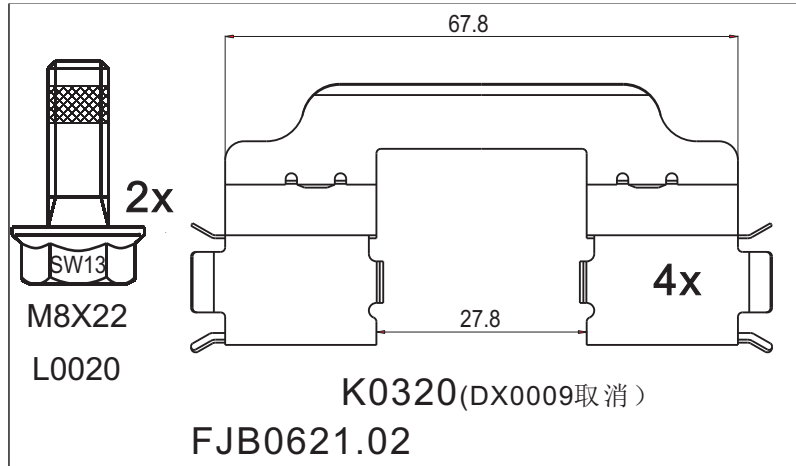
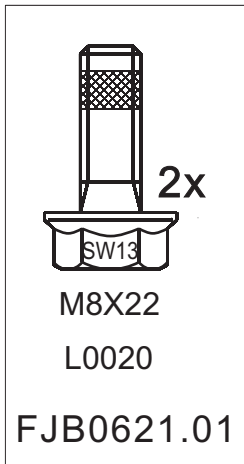
**Dimension
(mm)**

**Thickness
(mm)**



NOTE

**附件包
Accessory bag**



SR0622.01

**Dimension
(mm)**

116.7×63.9

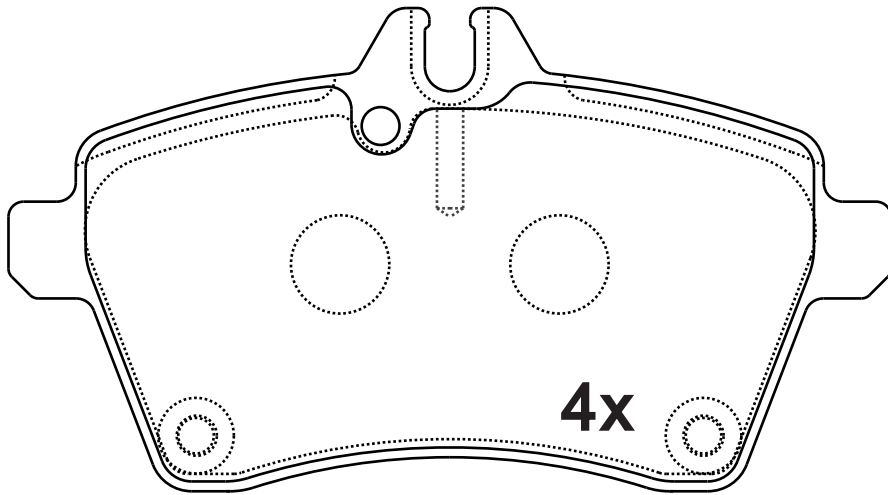
**Thickness
(mm)**

19.1



NOTE

4 identical;



24077

Apply for:

Mercedes A-Class
Mercedes B-Class

Hatchback
Hatchback

10.03-12.11
03.05-11.11

SR0622

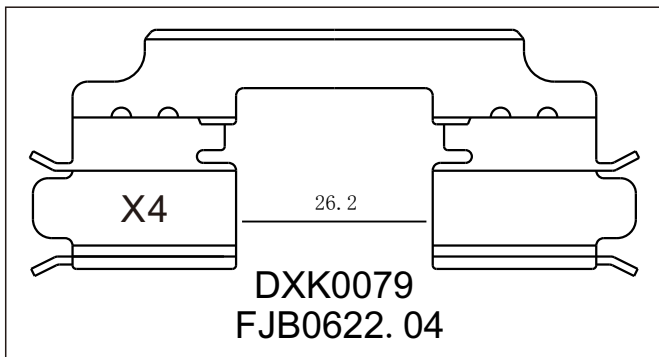
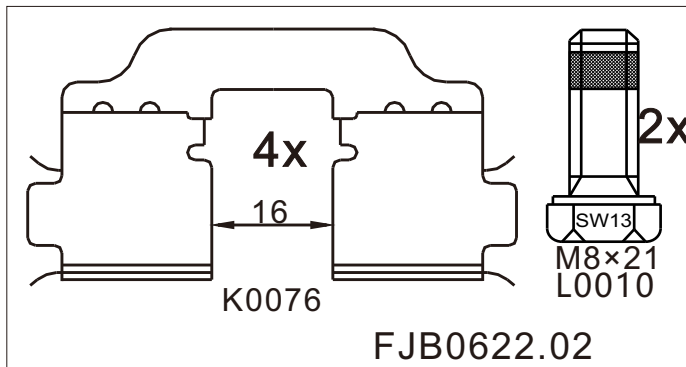
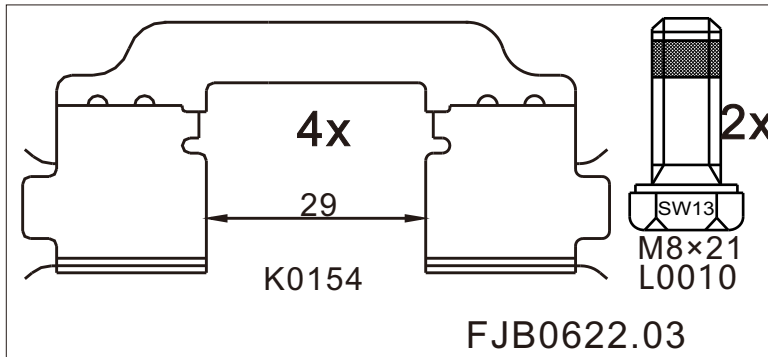
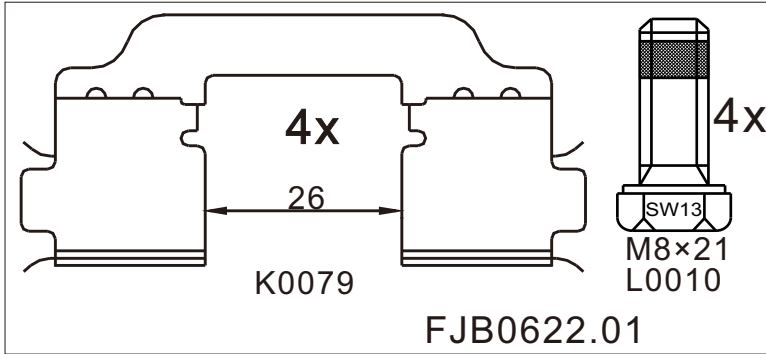
**Dimension
(mm)**

**Thickness
(mm)**



NOTE

附件包
Accessory bag



SR0623.01

**Dimension
(mm)**

**Thickness
(mm)**

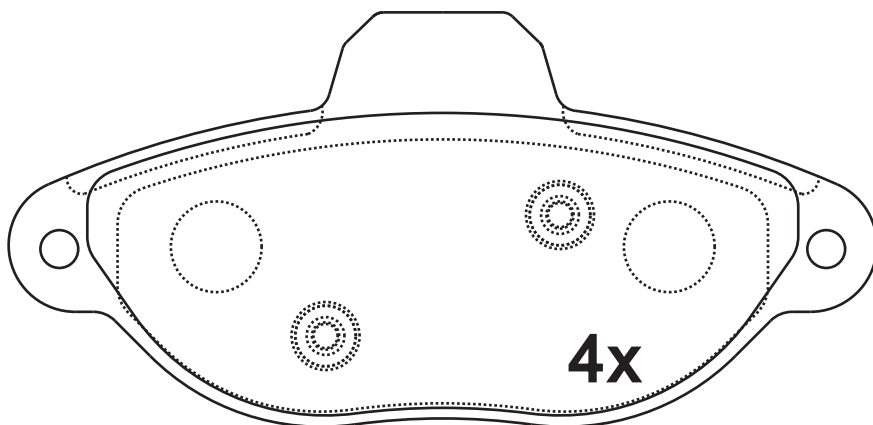


NOTE

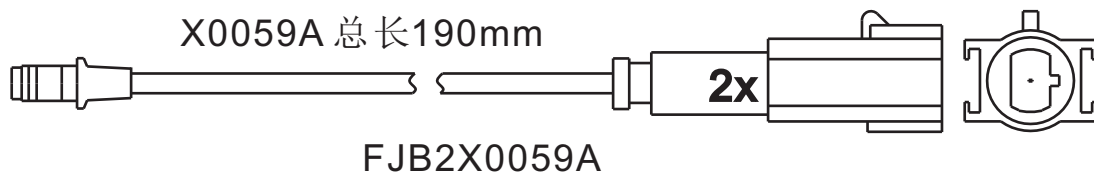
4 identical;

114.8×54.8

17



21436



Apply for:

Fiat 500	Hatchback	10.07-
Fiat Punto	Hatchback	09.93-
Fiat Punto	Convertible	04.94-06.00
Fiat Punto	Van	04.96-
Fiat Seicento	Hatchback	01.98-

SR0623.02

**Dimension
(mm)**

**Thickness
(mm)**

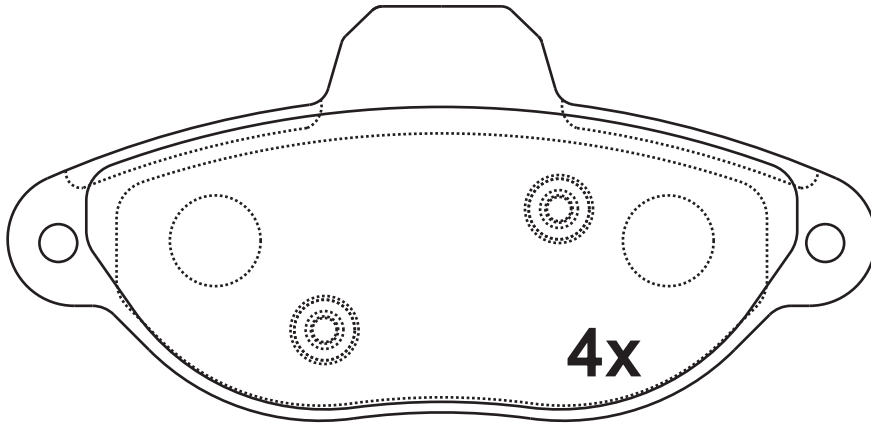


NOTE

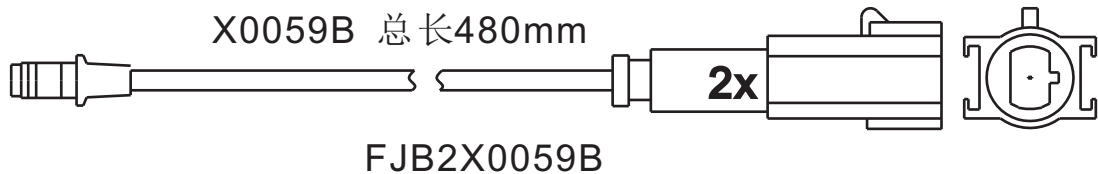
4 identical;

114.8×54.8

17



21436



Apply for:

Fiat 500	Hatchback	10.07-
Fiat Punto	Hatchback	09.93-
Fiat Punto	Convertible	04.94-06.00
Fiat Punto	Van	04.96-
Fiat Seicento	Hatchback	01.98-

SR0623.03

**Dimension
(mm)**

114.8×54.8

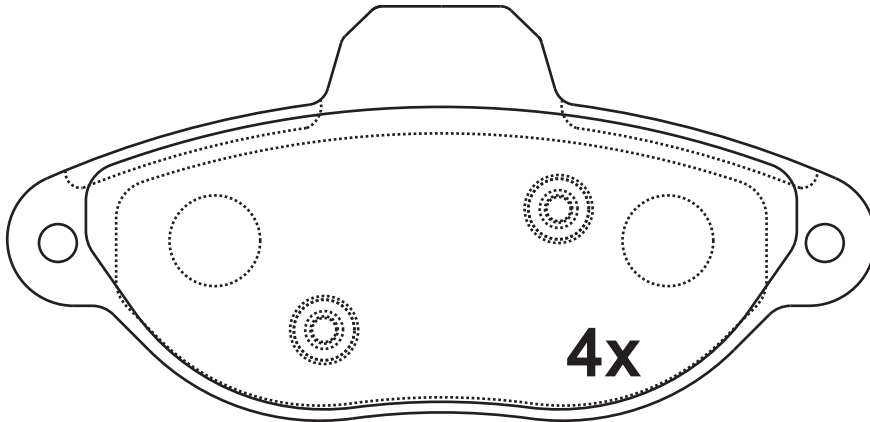
**Thickness
(mm)**

17

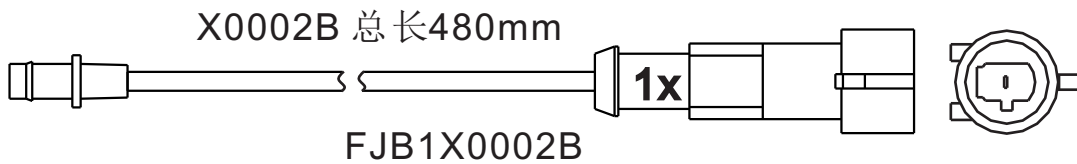


NOTE

4 identical;



21436



Apply for:

Fiat 500	Hatchback	10.07-
Fiat Punto	Hatchback	09.93-
Fiat Punto	Convertible	04.94-06.00
Fiat Punto	Van	04.96-
Fiat Seicento	Hatchback	01.98-

SR0623.04

**Dimension
(mm)**

114.8×54.8

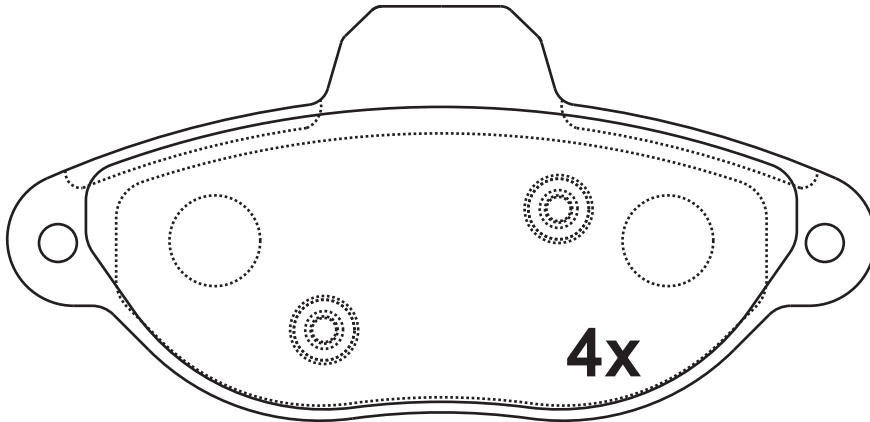
**Thickness
(mm)**

17

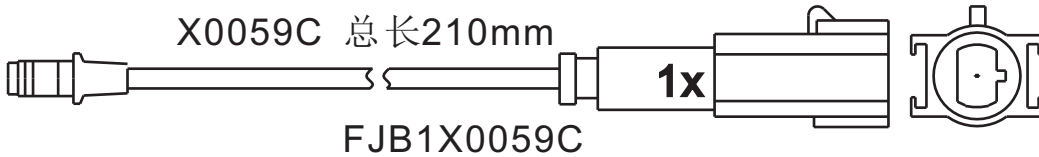


NOTE

4 identical;



21436



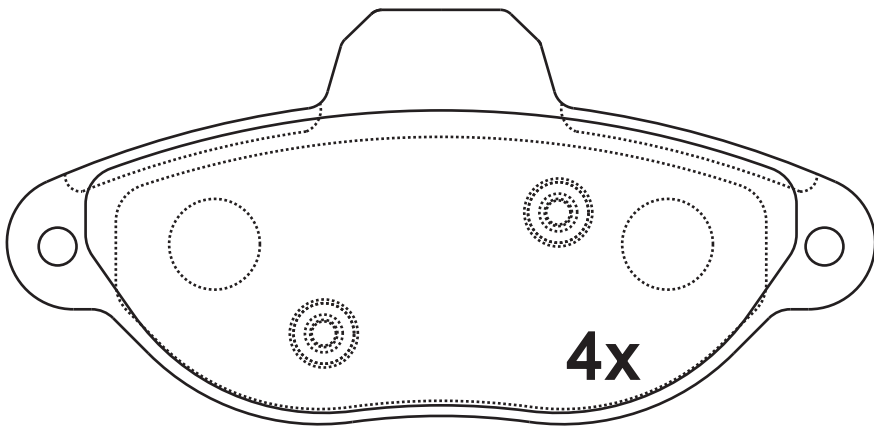
Apply for:

Fiat 500	Hatchback	10.07-
Fiat Punto	Hatchback	09.93-
Fiat Punto	Convertible	04.94-06.00
Fiat Punto	Van	04.96-
Fiat Seicento	Hatchback	01.98-

SR0623.05

Dimension (mm)	Thickness (mm)	
114.8×54.8	17	


NOTE
4 identical;




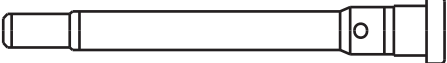
21436

Apply for:

Fiat 500	Hatchback	10.07-
Fiat Punto	Hatchback	09.93-
Fiat Punto	Convertible	04.94-06.00
Fiat Punto	Van	04.96-
Fiat Seicento	Hatchback	01.98-

SR0623	Dimension (mm)	Thickness (mm)		NOTE



 2x KX002	 2x XZ002
FJB0623.01	

SR0624.01

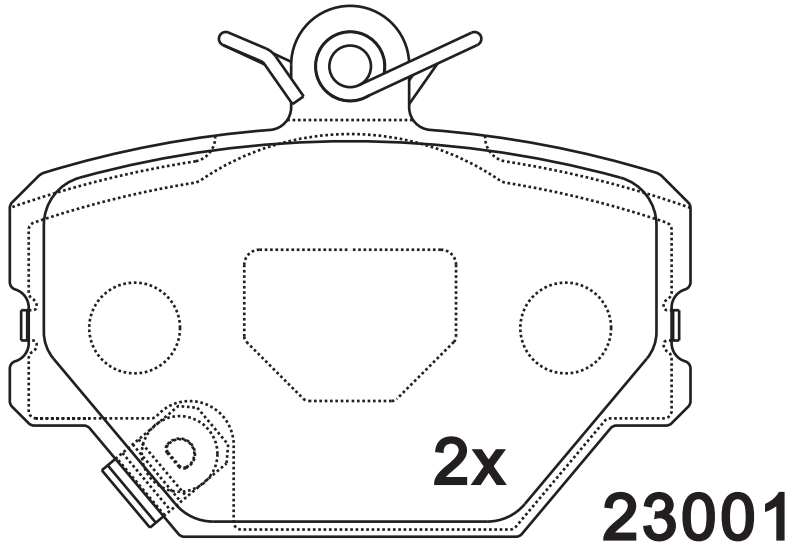
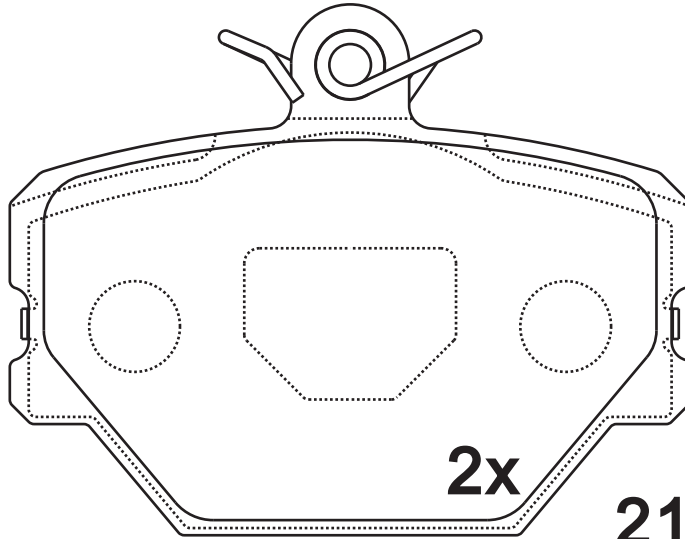
**Dimension
(mm)**

**Thickness
(mm)**



NOTE

**2 identical; 2 identical
with acoustic indicator
(right);**



Apply for:

Smart Fortwo
Smart Fortwo

Cpupe
Convertible

01.07-
01.07-

SR0625.01

**Dimension
(mm)**

130.6×44.6

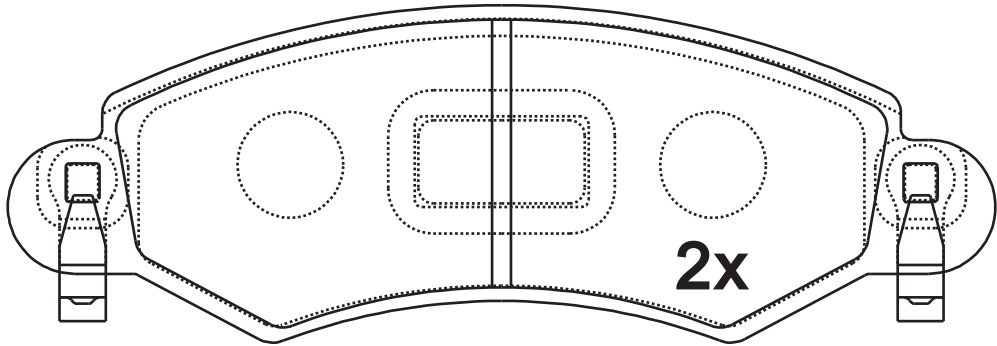
**Thickness
(mm)**

16

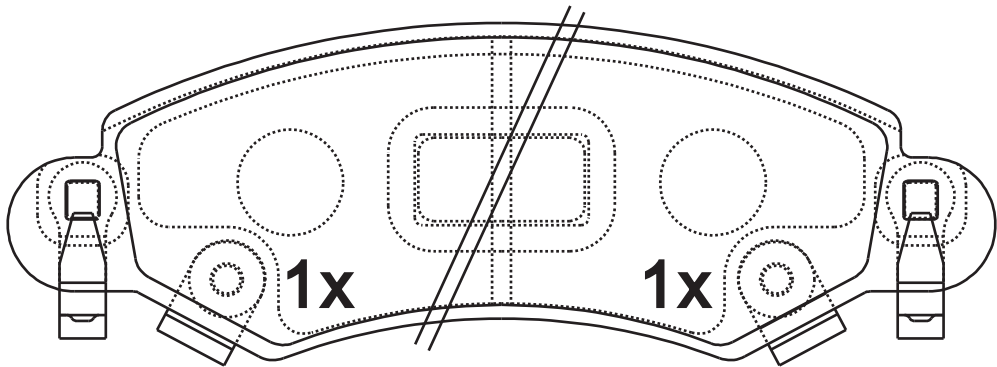


NOTE

4 identical, 1 with acoustic indicator(left), 1 with acoustic indicator(right).



23253




23257

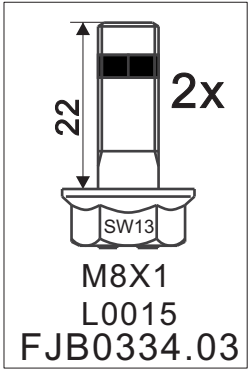
23254



Apply for:

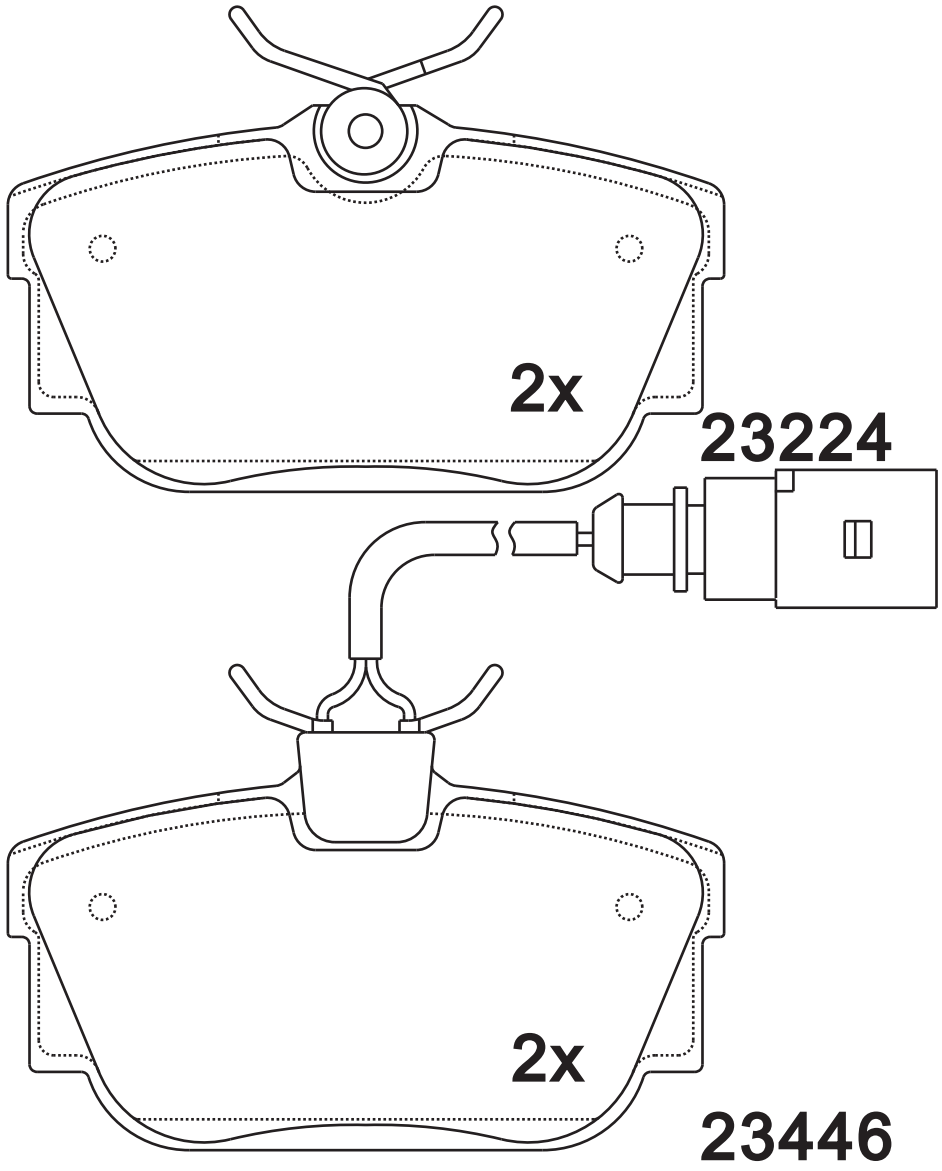
Suzuki Wagon MPV

07. 03 - 08. 05

SR0625	Dimension (mm)	Thickness (mm)		NOTE



SR0626.01	Dimension (mm)	Thickness (mm)		NOTE 4 identical ;2 identical with wear warning contact:190mm.
	94.7×50.9	16.5		



Apply for:

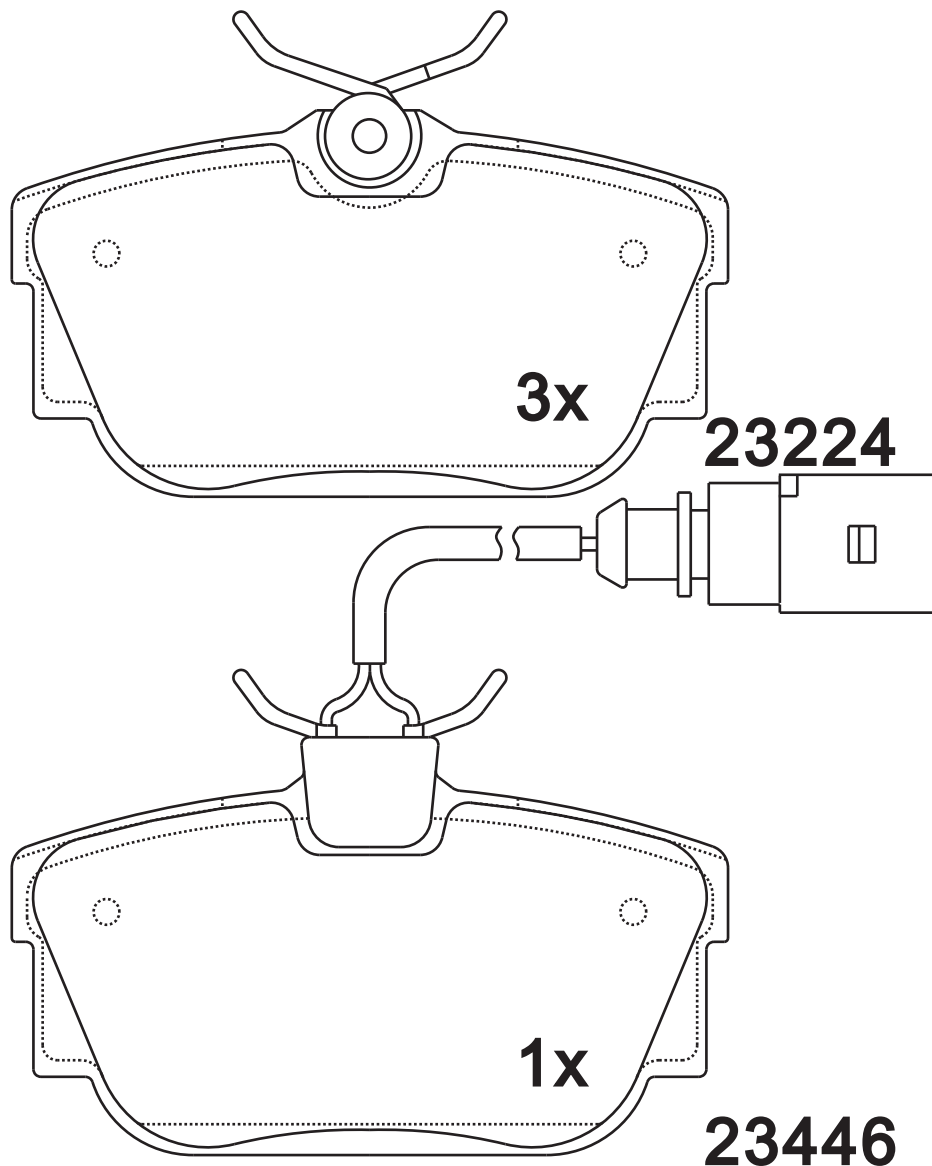
Volkswagen Sharan	MPV	10.97-03.10
Seat Alhambra	MPV	09.97-03.10

SR0626.02

Dimension (mm)	Thickness (mm)	
94.7×50.9	16.5	

NOTE

4 identical ;2 identical with wear warning contact:190mm.





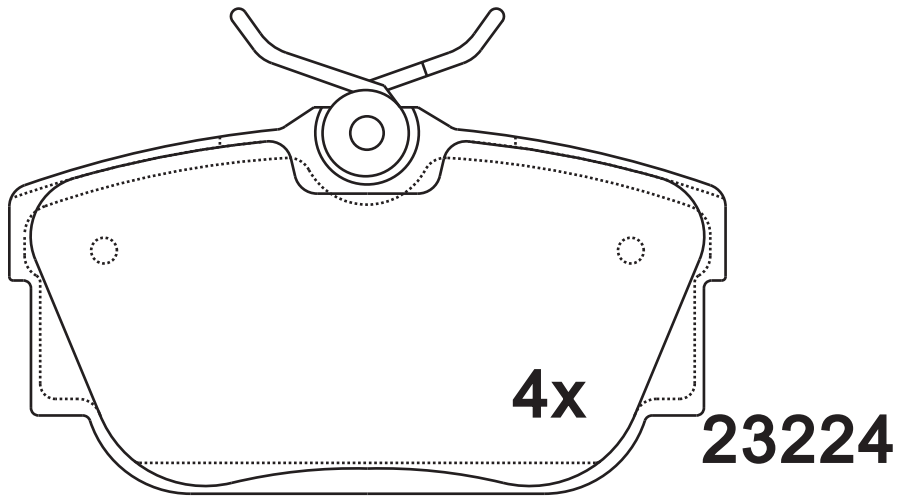
Apply for:

Volkswagen Sharan
Seat Alhambra

MPV
MPV

10.97-03.10
09.97-03.10

SR0626.03	Dimension (mm)	Thickness (mm)		NOTE 4 identical ;2 identical with wear warning contact:190mm.
	94.7×50.9	16.5		



Apply for:

Volkswagen Sharan
Seat Alhambra

MPV
MPV

10.97-03.10
09.97-03.10

SR0626

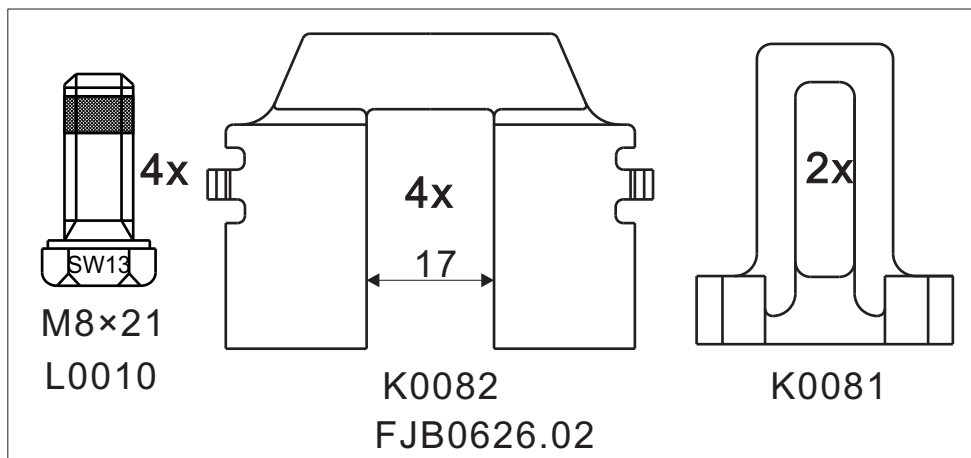
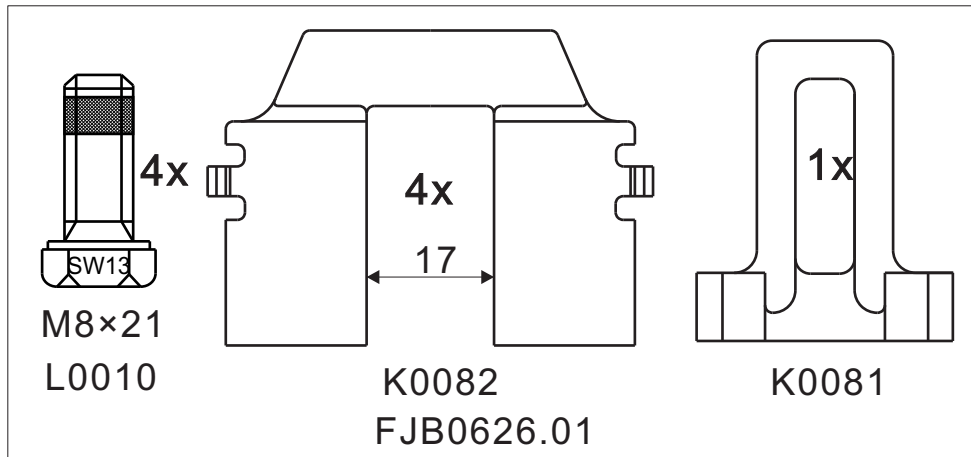
**Dimension
(mm)**

**Thickness
(mm)**



NOTE

附件包
Accessory bag



SR0627.01

**Dimension
(mm)**

122.8×51.7

**Thickness
(mm)**

17.9

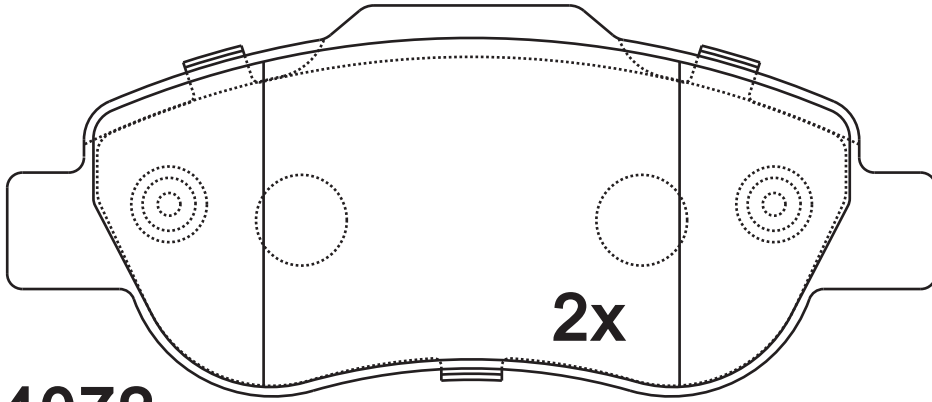


NOTE

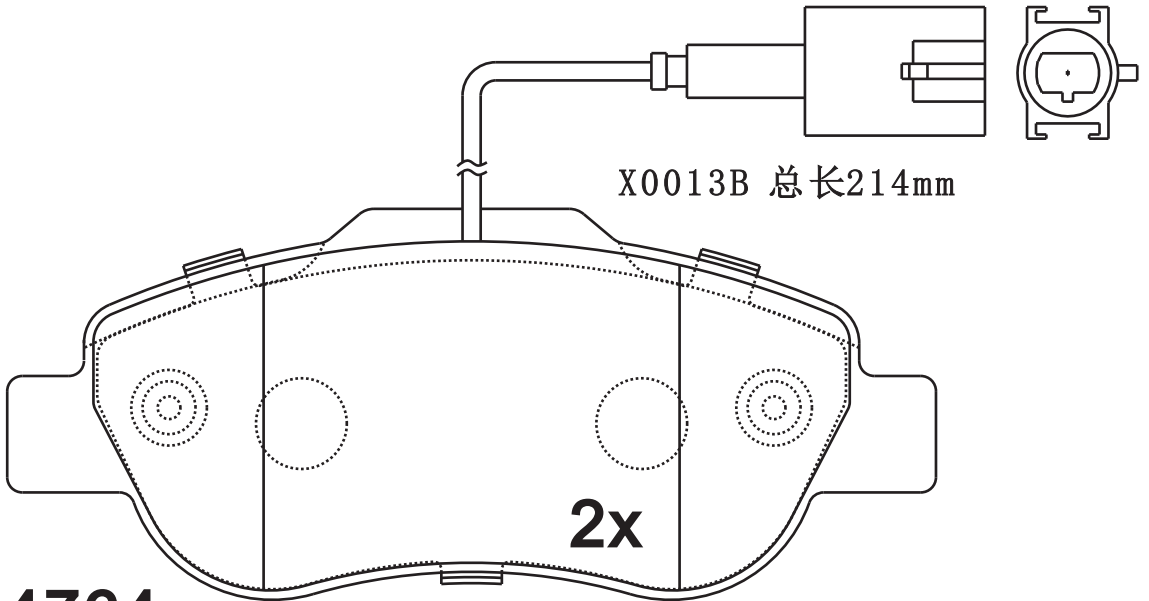
**4 identical, 2 with warn
indicator.**



24072



24764



Apply for:

Fiat 500
Fiat 500C

Hatchback
Convertible

10.07-
09.09-

SR0627.02

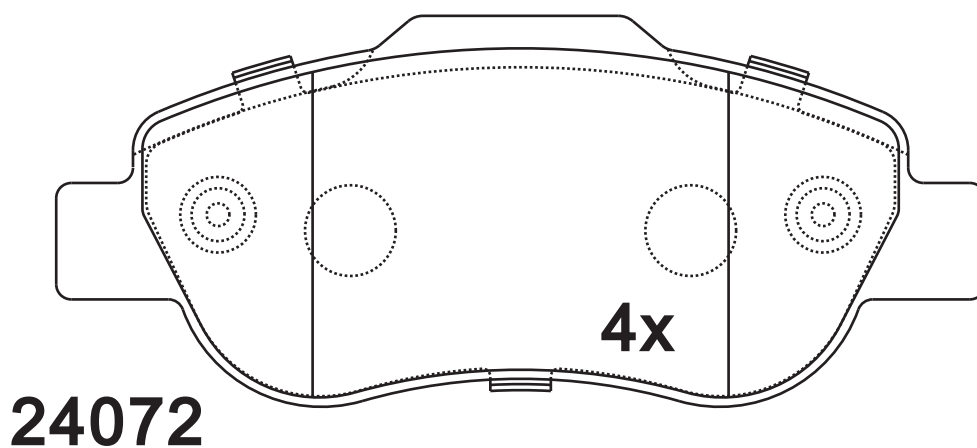
**Dimension
(mm)**

**Thickness
(mm)**



NOTE

4 identical;



Apply for:

Fiat Panda (Latin America) 1.2L

2007-2008

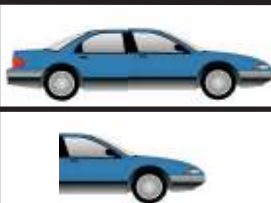
SR0627.03

**Dimension
(mm)**

122.8×51.7

**Thickness
(mm)**

17.9

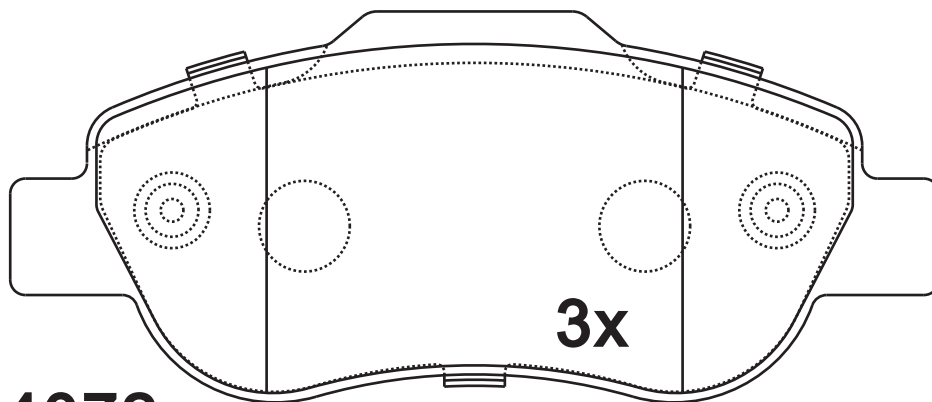


NOTE

4 identical, 2 with warn indicator.

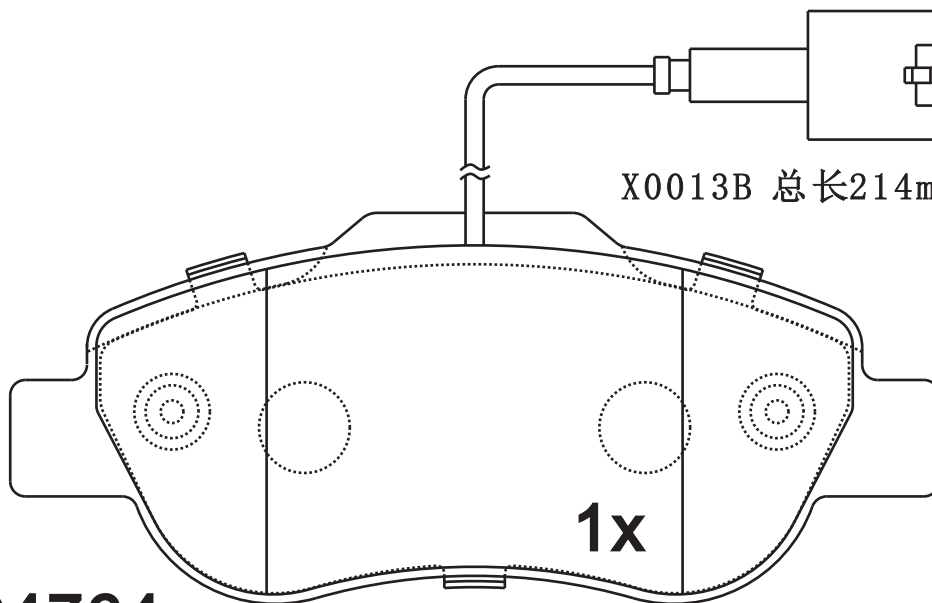


24072



3x

24764



X0013B 总长214mm

1x

Apply for:

Fiat 500
Fiat 500C

Hatchback
Convertible

10.07-
09.09-

SR0627

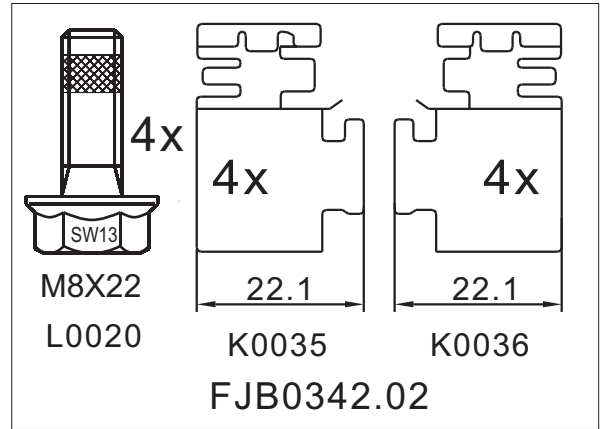
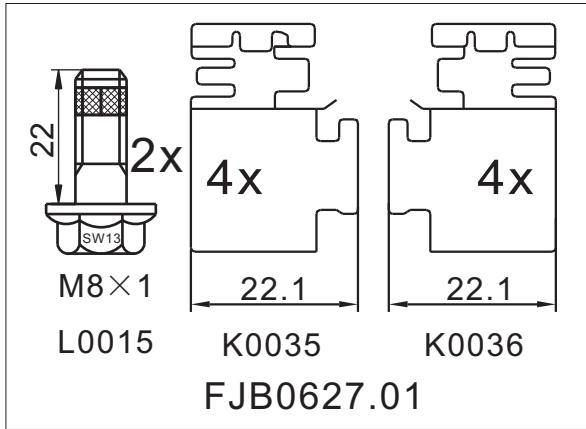
**Dimension
(mm)**

**Thickness
(mm)**



NOTE

**附件包
Accessory bag**



SR0628.01

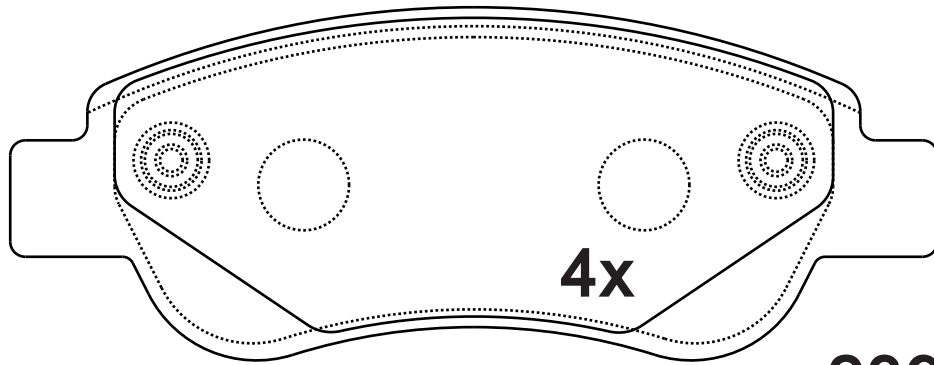
**Dimension
(mm)**

**Thickness
(mm)**



NOTE

4 identical;



23959

Apply for:

Geely Panda
Citroen C1
Citroen C1 II
Peugeot 107
Peugeot 108
Toyota Aygo

Hatchback 12.14-
Harchback 06.05-
Harchback 04.14-
Harchback 06.05-
Harchback 05.14-
Harchback 07.05-

SR0628.02

**Dimension
(mm)**

**Thickness
(mm)**



NOTE

4 identical;

122.6×46.7

17



取消 SR0628. 02=SR0628. 01+FJB0621. 01

Apply for:

Geely Panda	Hatchback	12.14-
Citroen C1	Harchback	06.05-
Citroen C1 II	Harchback	04.14-
Peugeot 107	Harchback	06.05-
Peugeot 108	Harchback	05.14-
Toyota Aygo	Harchback	07.05-

SR0628.03

**Dimension
(mm)**

122.6×46.9

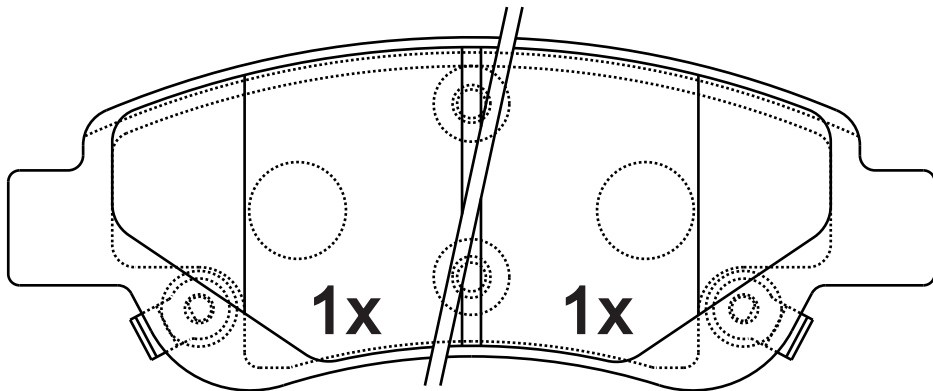
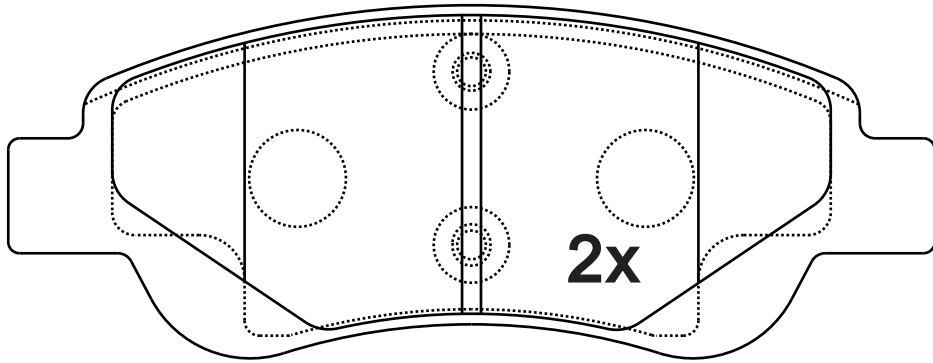
**Thickness
(mm)**

17



NOTE

4 identical;



A19630

Apply for:

Geely Panda
Citroen C1
Citroen C1 II
Peugeot 107
Peugeot 108
Toyota Aygo

Hatchback	12.14-
Harchback	06.05-
Harchback	04.14-
Harchback	06.05-
Harchback	05.14-
Harchback	07.05-

SR0628

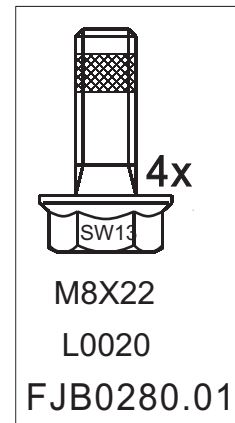
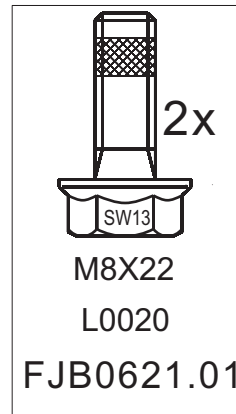
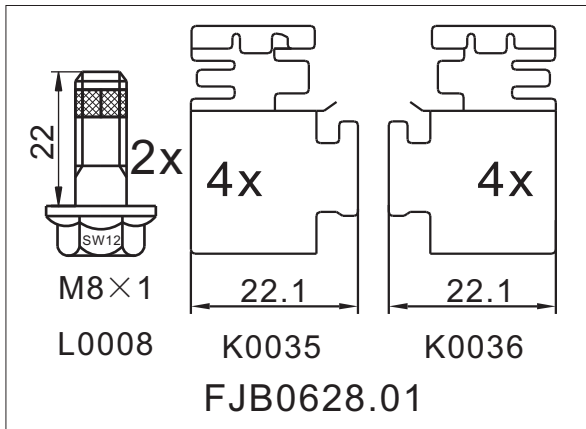
**Dimension
(mm)**

**Thickness
(mm)**





NOTE

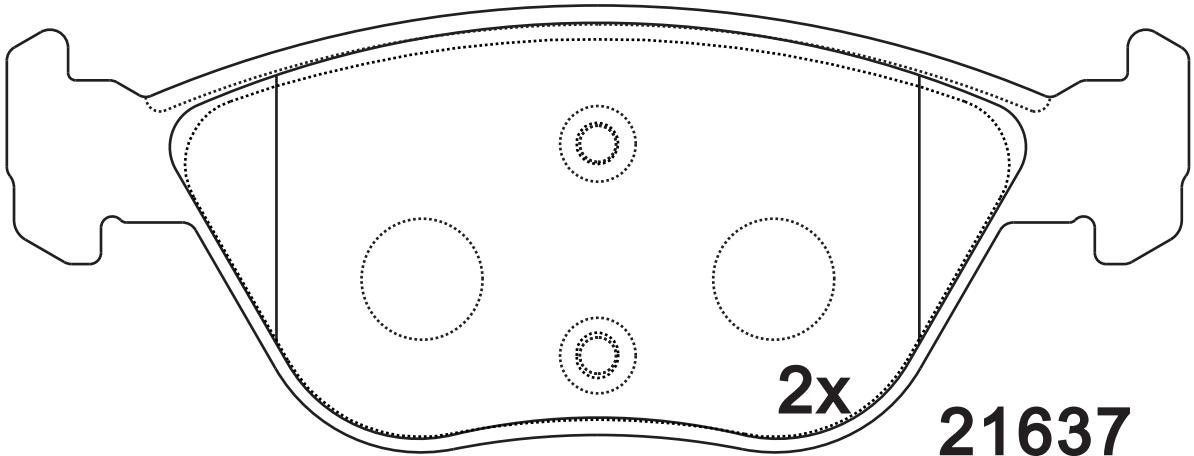
**附件包
Accessory bag**



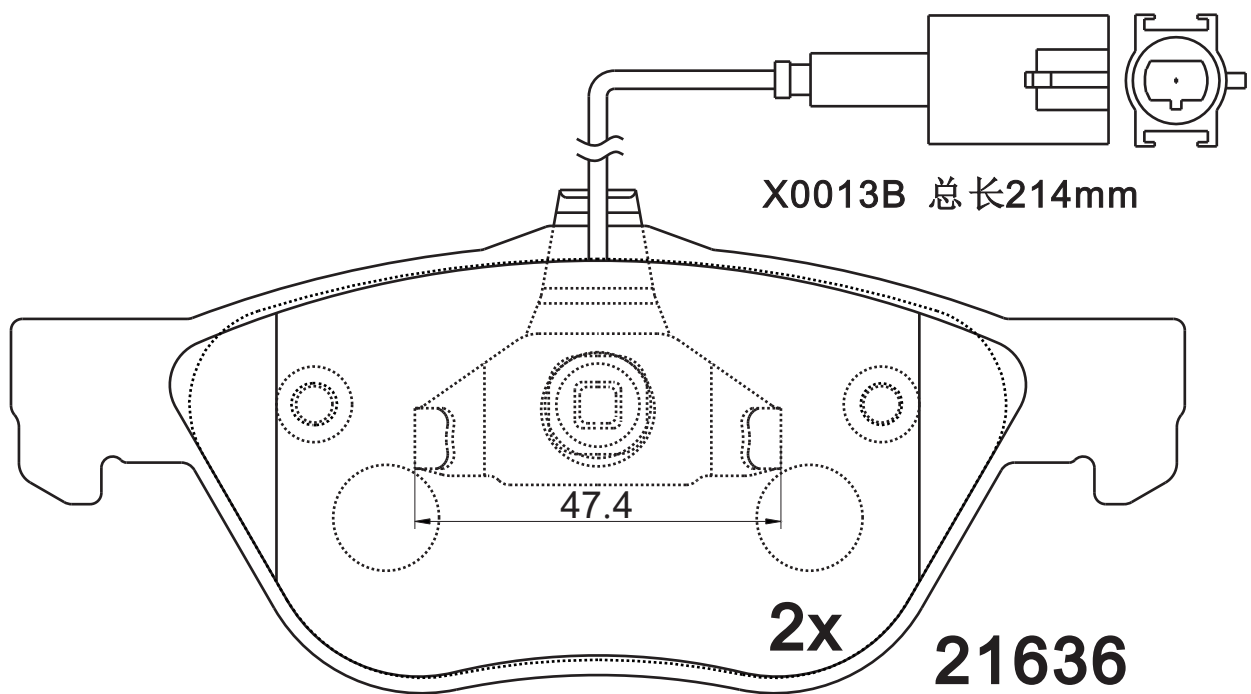
SR0629.01

Dimension (mm)	Thickness (mm)	
156.3×59.1 155.1×61.8	19.3	

NOTE
2 identical; 2 identical with warn indicator: 214mm.



21637



X0013B 总长214mm

21636

Apply for:

Alfa Romeo 156
Alfa Romeo GTV

Saloon
Coupe

09.97-10.00
05.98-10.05

SR0629.02

**Dimension
(mm)**

156.3×59.1
155.1×61.8

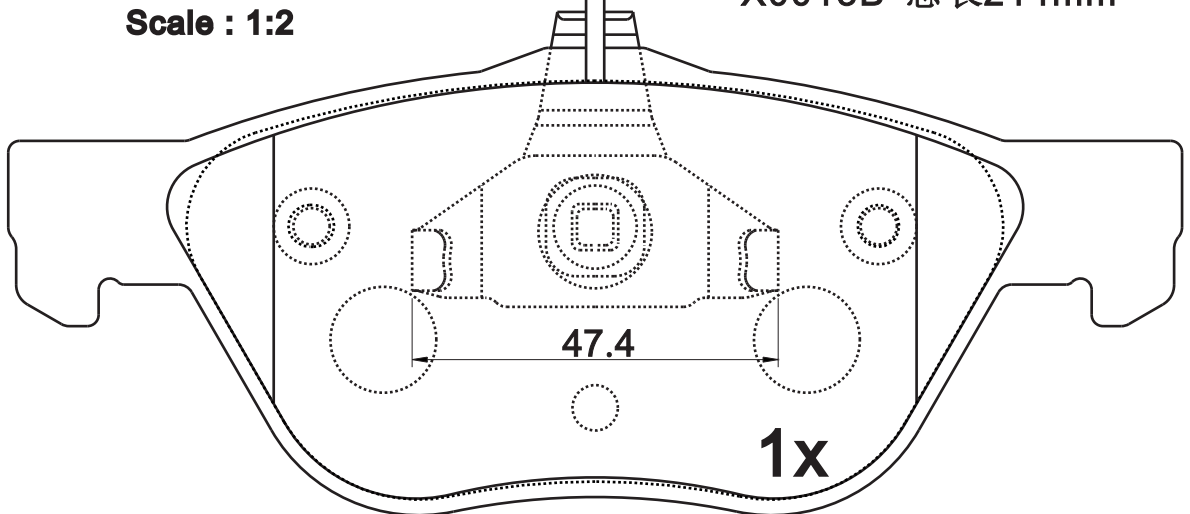
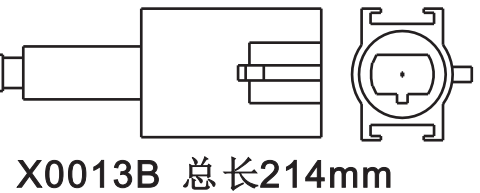
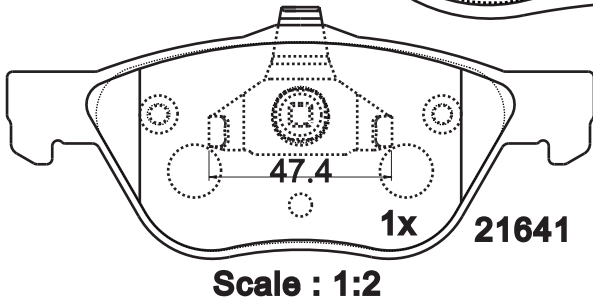
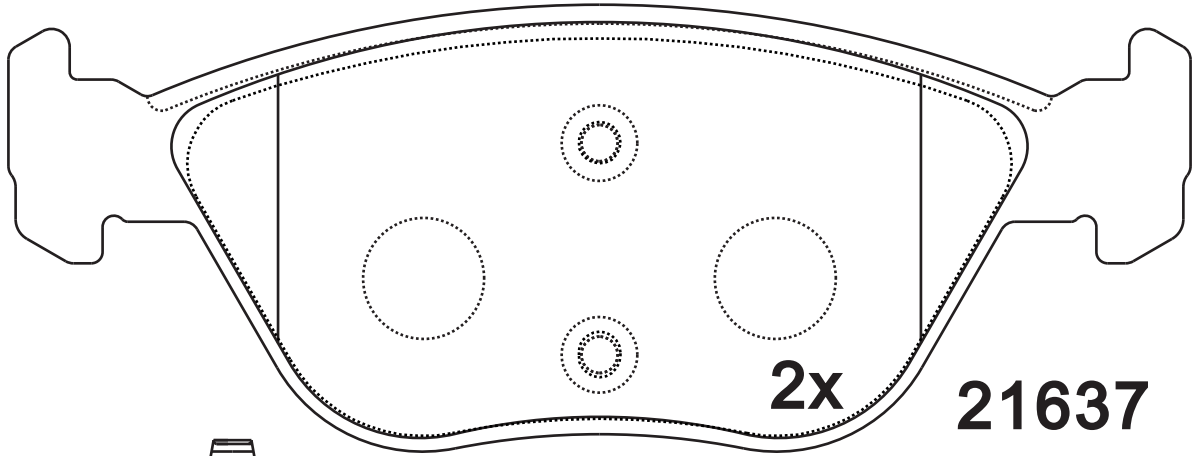
**Thickness
(mm)**

19.3



NOTE

**2 identical; 2 identical,
1 with warn indicator:
214mm.**



Apply for:

Alpha - Luo Mi Europe 145
Alpha - Luo Mi Europe 146
Alpha - Luo Mi Europe 147
Alpha - Luo Mi euro 156
Alpha romero 156 station wagon

1994/07-2001/01
1994/12-2001/01
2000/11-2010/03
1997/09-2005/09
2000/01-2006/05

SR0629.03

**Dimension
(mm)**

156.3×59.1
155.1×61.8

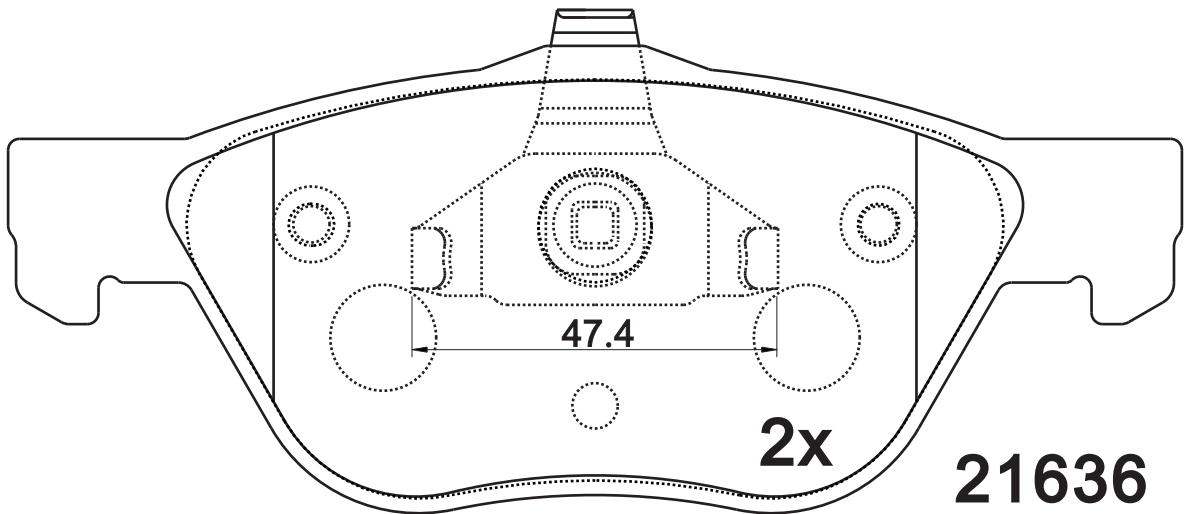
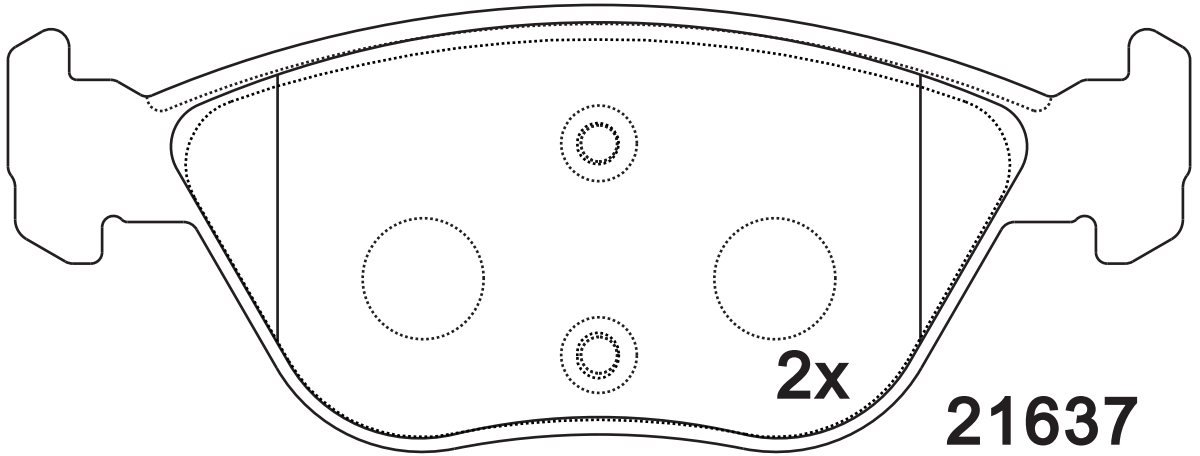
**Thickness
(mm)**

19.3



NOTE

2 identical;2 identical;





Apply for:

Alfa Romeo 156
Alfa Romeo GTV

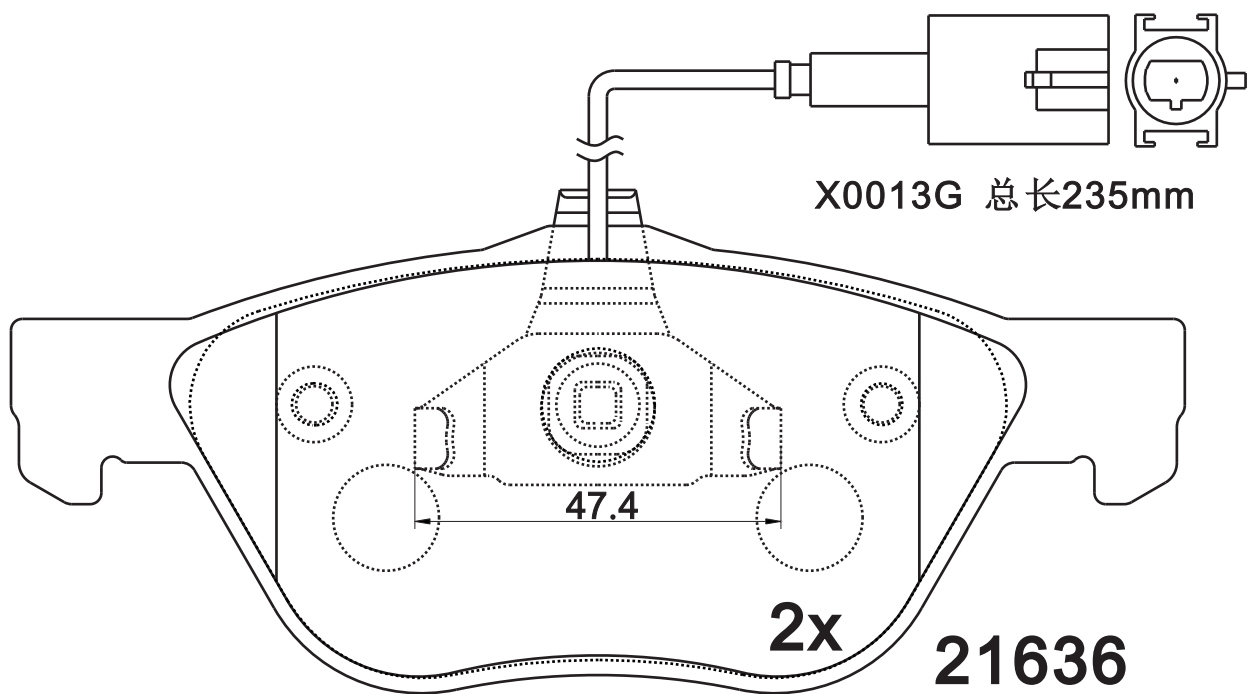
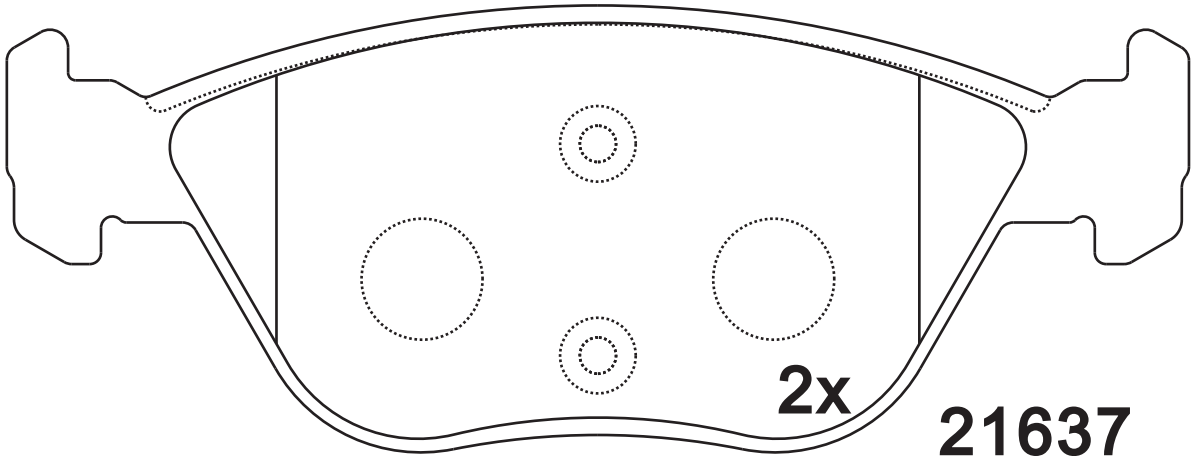
Saloon
Coupe

09.97-10.00
05.98-10.05

SR0629.04

Dimension (mm)	Thickness (mm)	
156.3×59.1 155.1×61.8	19.3	

NOTE
2 identical; 2 identical with warn indicator: 230mm.





Apply for:

Alfa Romeo 156
Alfa Romeo GTV

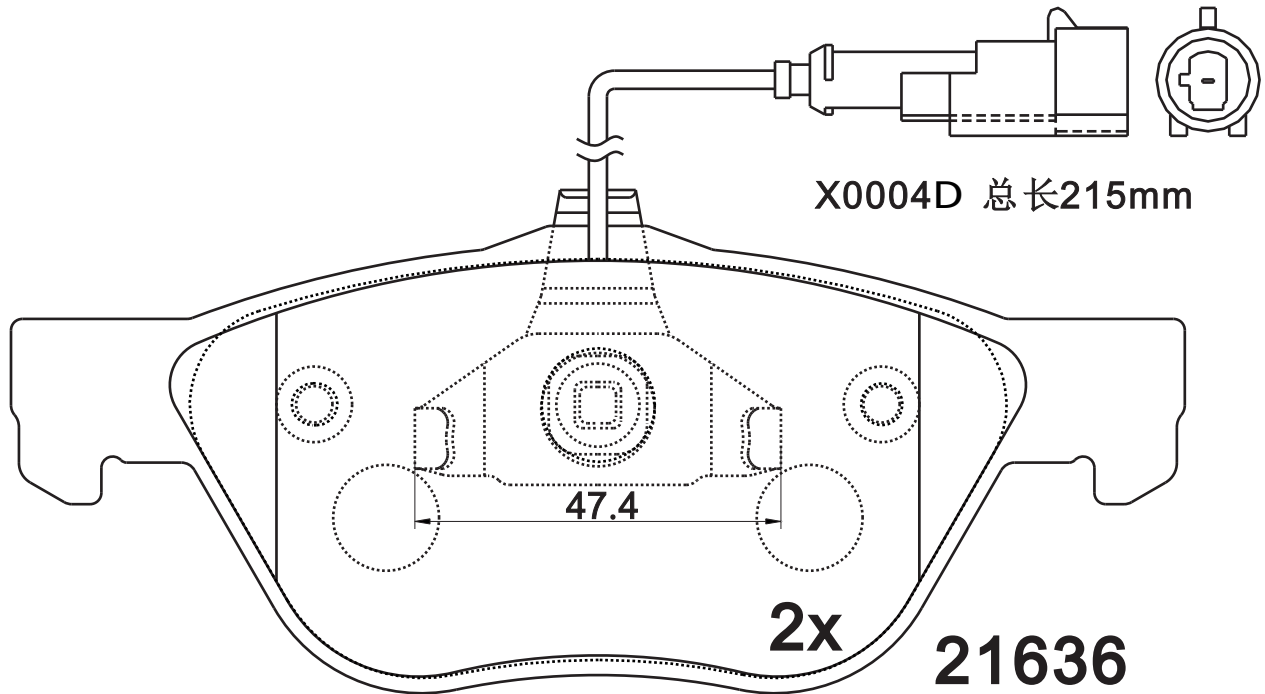
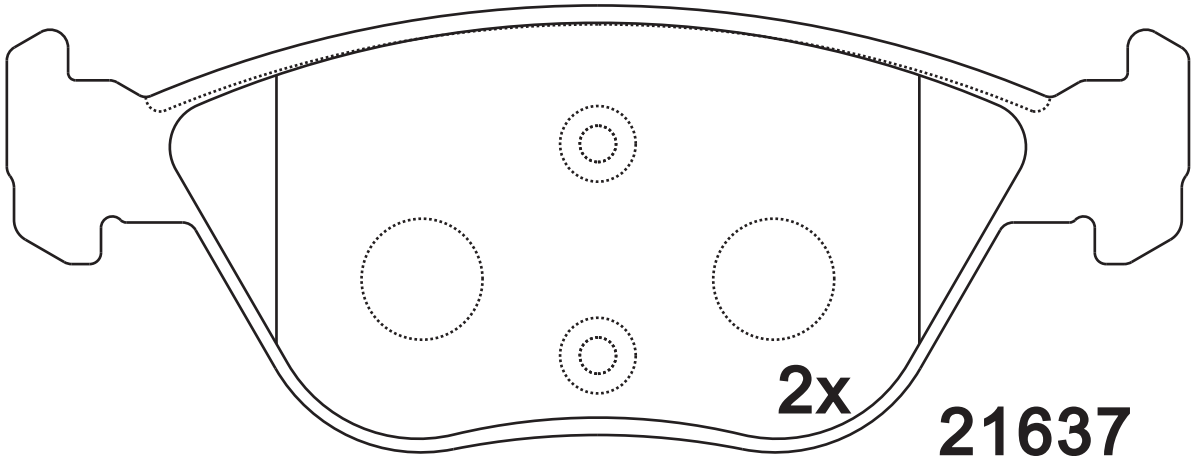
Saloon
Coupe

09.97-10.00
05.98-10.05

SR0629.05

Dimension (mm)	Thickness (mm)	
156.3×59.1 155.1×61.8	19.3	

NOTE
2 identical; 2 identical with warn indicator: 230mm.



Apply for:

Alfa Romeo 156
Alfa Romeo GTV

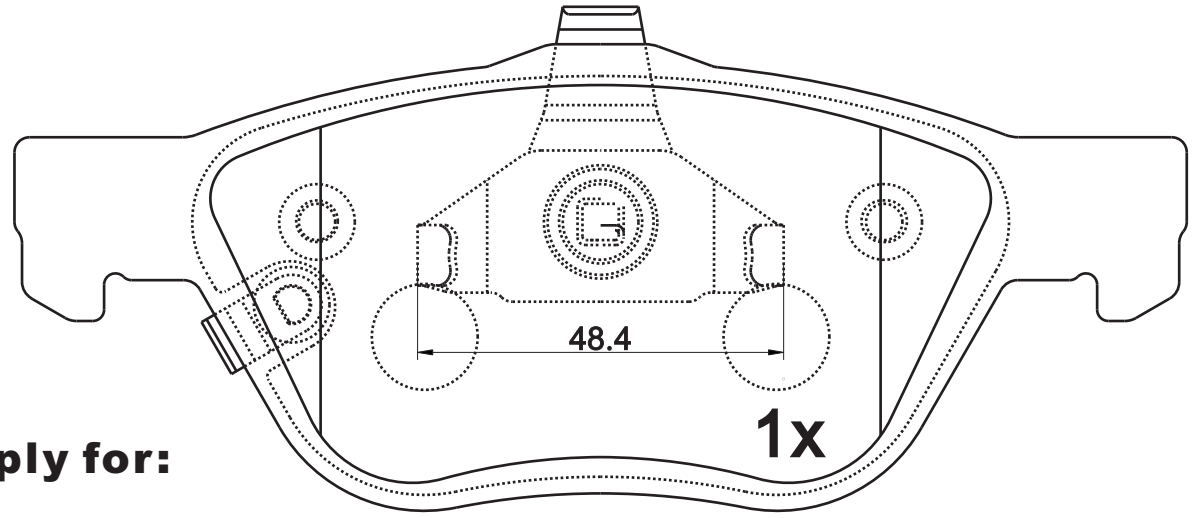
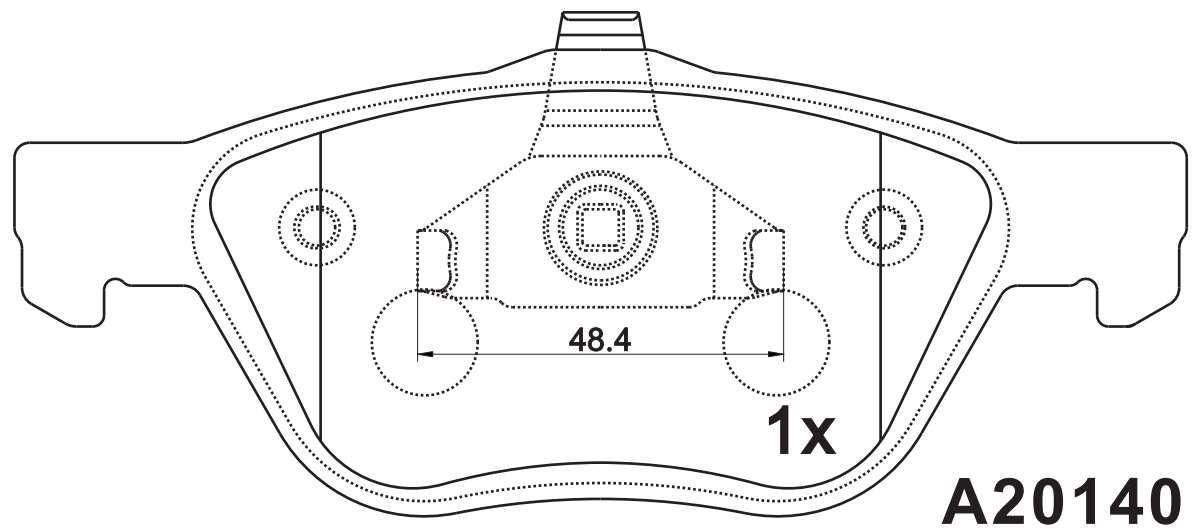
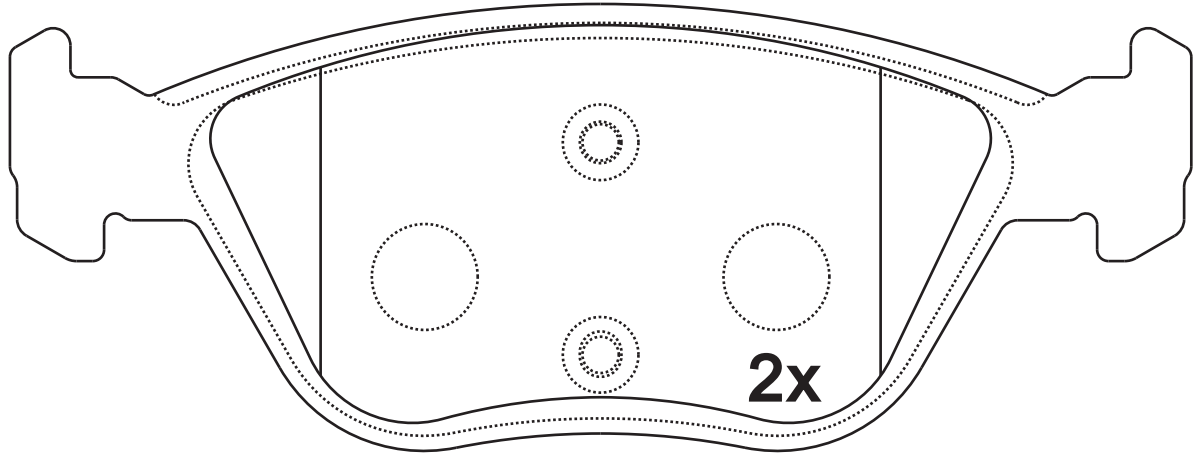
Saloon
Coupe

09.97-10.00
05.98-10.05

SR0629.06

Dimension (mm)	Thickness (mm)	
156.3×59.1 155.1×61.8	19.3	

NOTE
2 identical; 2 identical with warn indicator: 230mm.



Apply for:

Alfa Romeo 156
Alfa Romeo GTV

Saloon
Coupe

09.97-10.00
05.98-10.05

SR0629.07

**Dimension
(mm)**

**Thickness
(mm)**



NOTE

**2 identical; 2 identical
with spring.**

156.5×58.9
155.4×61.1

18.5

155.4 x 61.1 x 18.5



2x

22038 x 2

22038

TEXTAR

156.5 x 58.9 x 19.0





2x

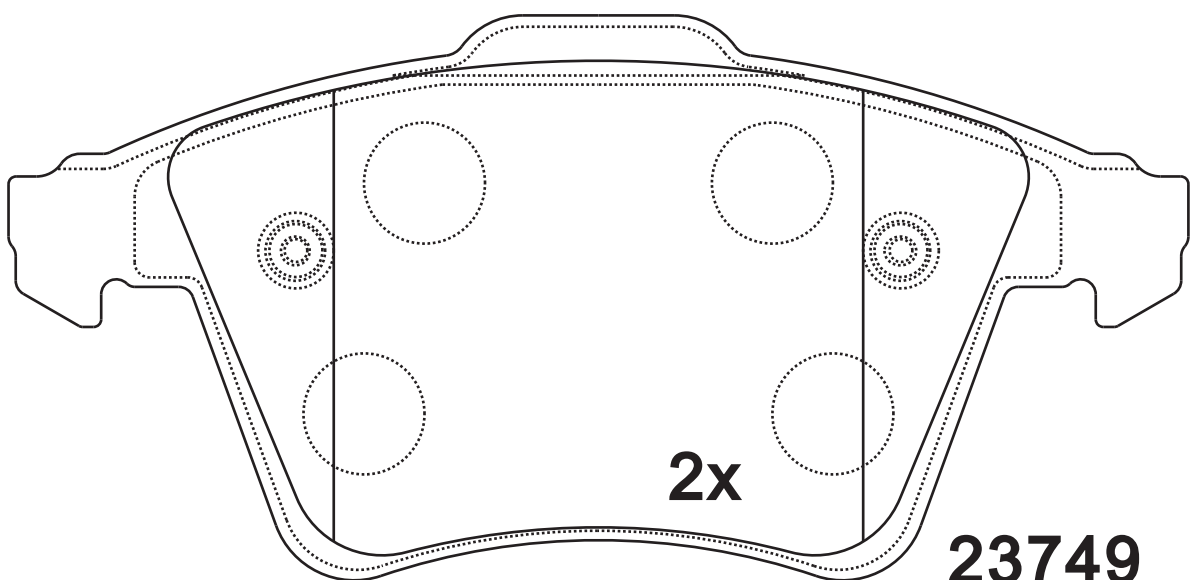
21637 x 2

21637

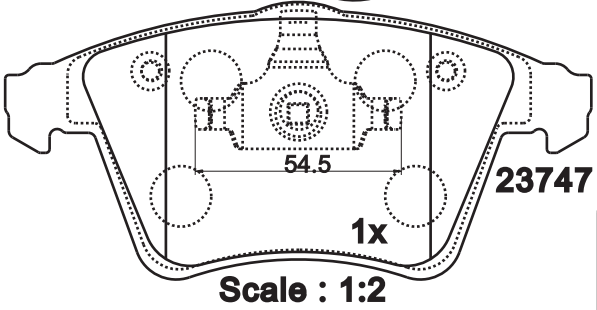
Apply for:

菲亚特	ARGO (358_) 1.8 16V	2017-
菲亚特	CRONOS (359_) 1.8 Flexfuel	2018-
菲亚特	STRADA Pickup (278_) 1.6 Flex	2009-
菲亚特	LINEA (323_, 110_) 1.4 T-Jet	2007-

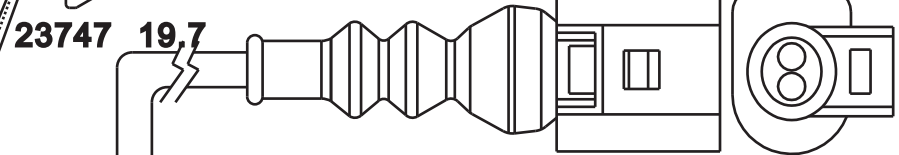
SR0630.01	Dimension (mm)	Thickness (mm)		NOTE 2 identical; 2 identical, 1 with warn indicator.
	156×74.5 155.1×73.5	19.2/19.7		



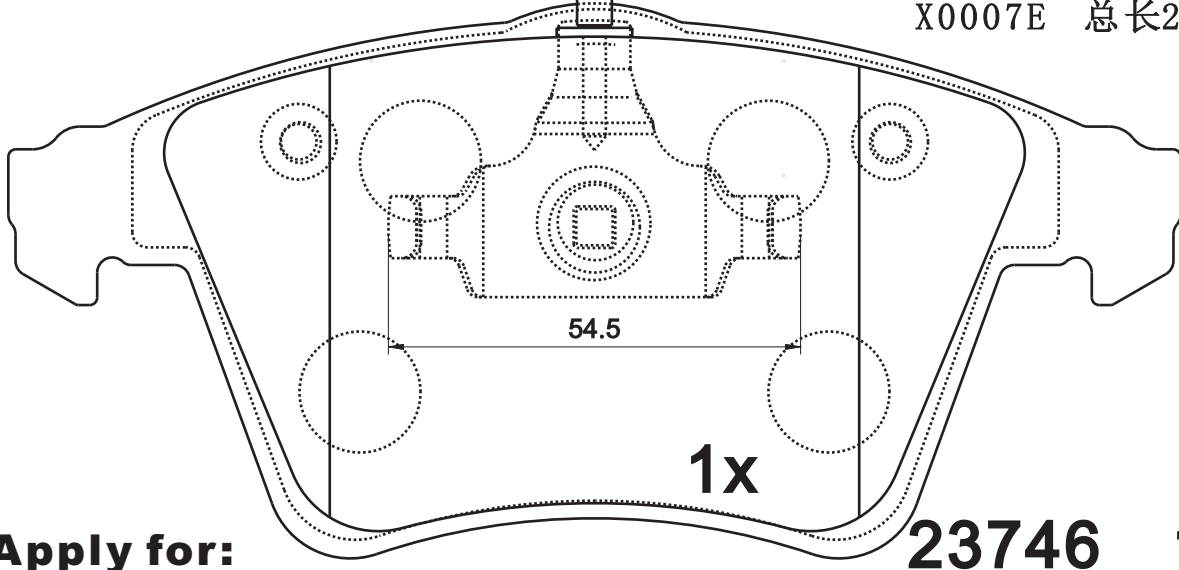
23749 19.2



Scale : 1:2



X0007E 总长208mm



23746 19.7

Apply for:

Volkswagen Multivan V MPV 02.04-
 Volkswagen Touareg Closed off-Road 12.02- 11.06

SR0630.02

**Dimension
(mm)**

156×74.5
155.1×73.5

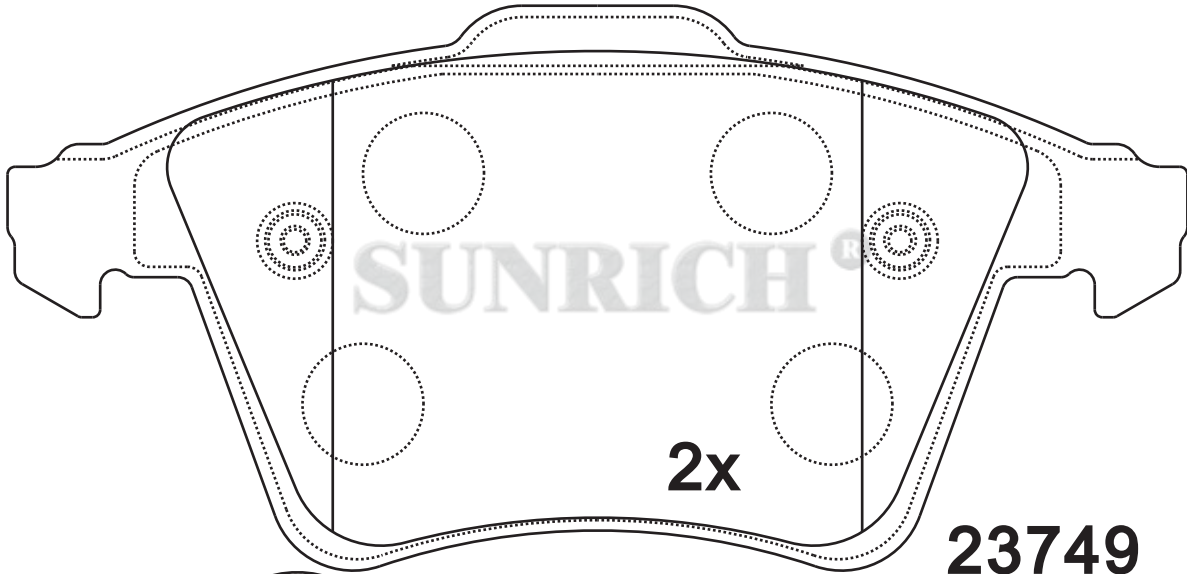
**Thickness
(mm)**

17.6/18.1

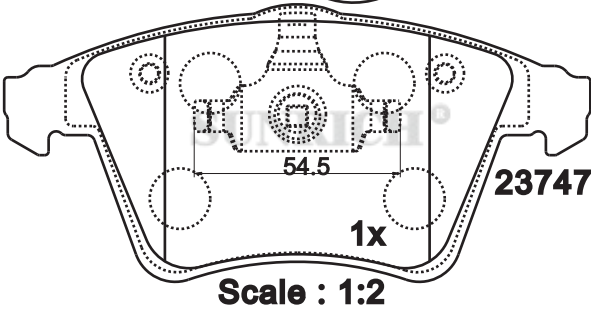


NOTE

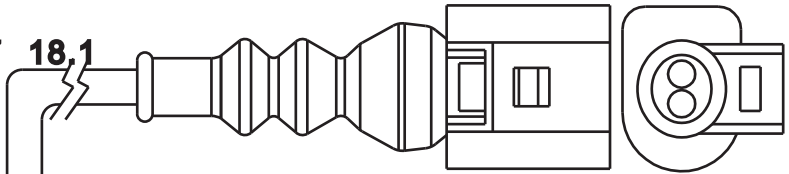
2 identical; 2 identical,
1 with warn indicator.



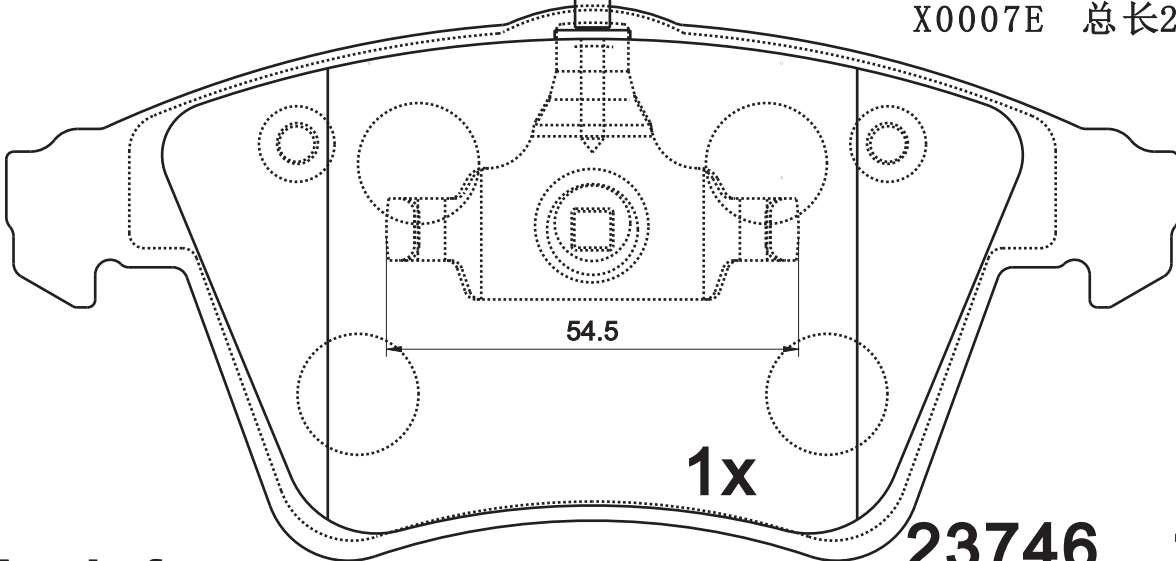
23749 17.6



23747 18.1



X0007E 总长208mm



23746 18.1

Apply for:

Volkswagen Multivan V

MPV

02.04-

Volkswagen Touareg

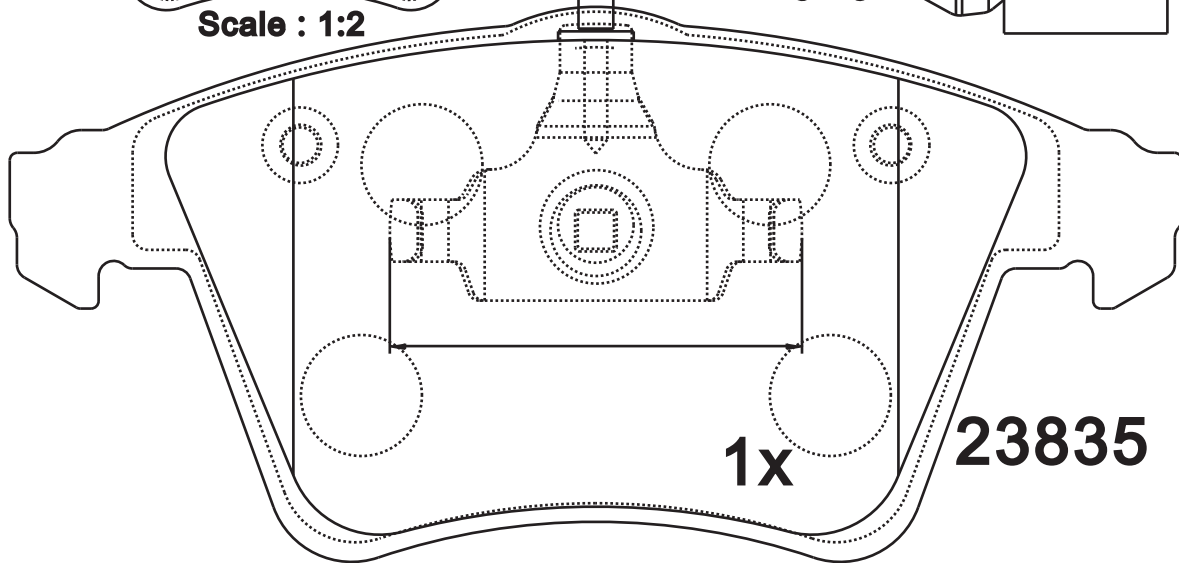
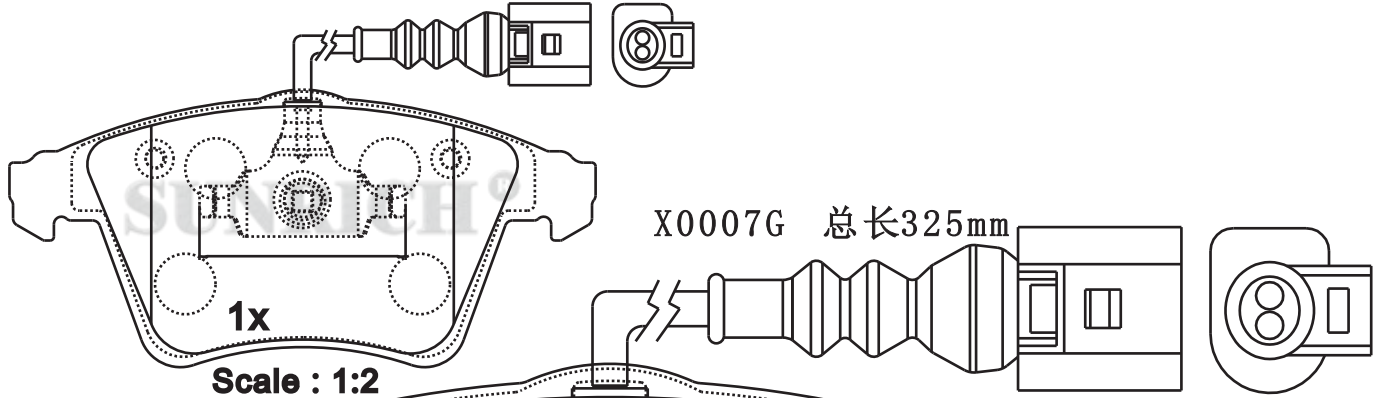
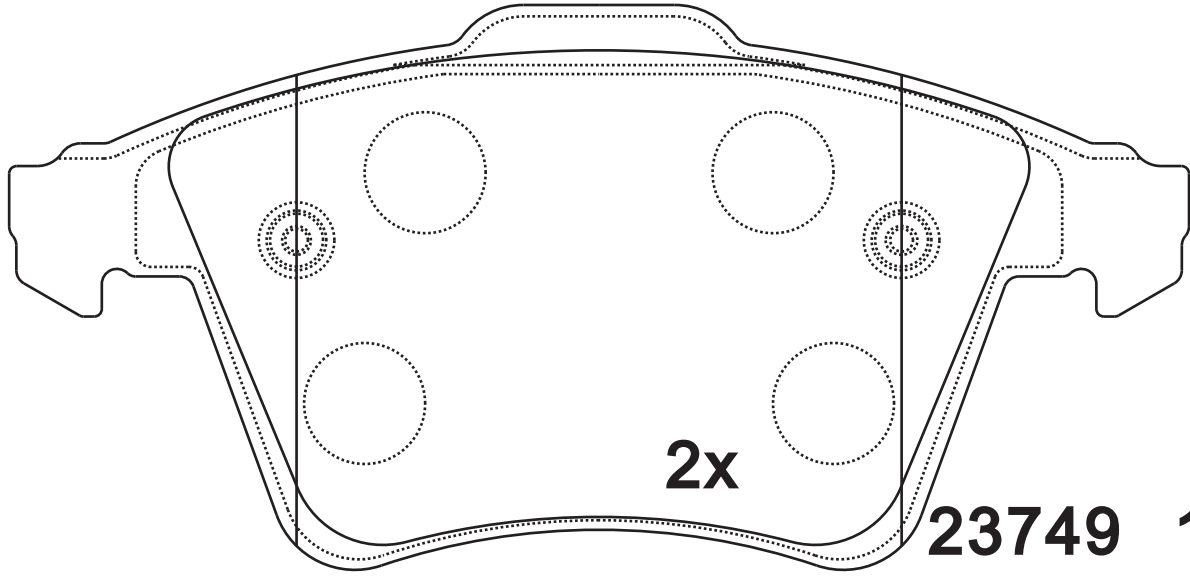
Closed off-Road

12.02- 11.06

SR0630.03

Dimension (mm)	Thickness (mm)	
156×74.5 155.1×73.5	19.2/19.7	

NOTE
2 identical; 2 identical with warn indicator.



Apply for:

Volkswagen Touareg

2002/10-2013/01

SR0630

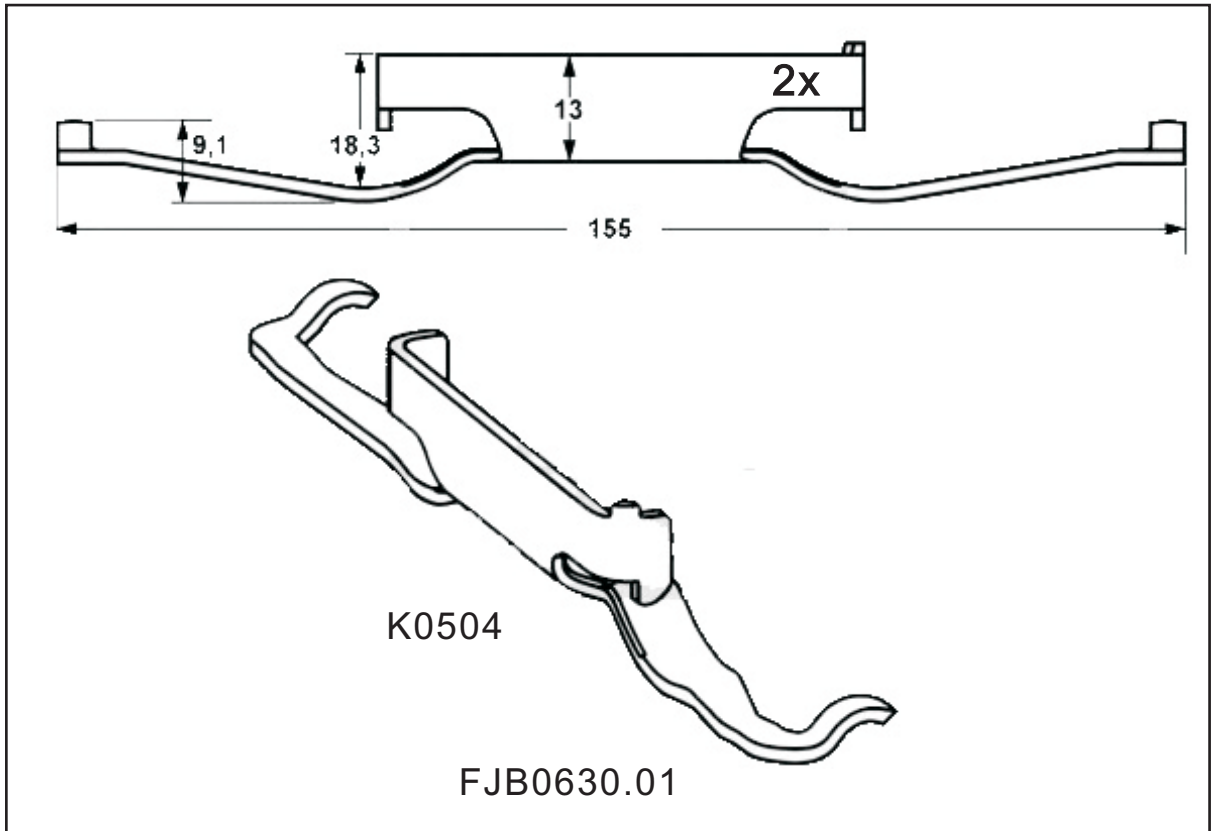
**Dimension
(mm)**

**Thickness
(mm)**



NOTE

**附件包
Accessory bag**



SR0631.01

**Dimension
(mm)**

156.3×78.6

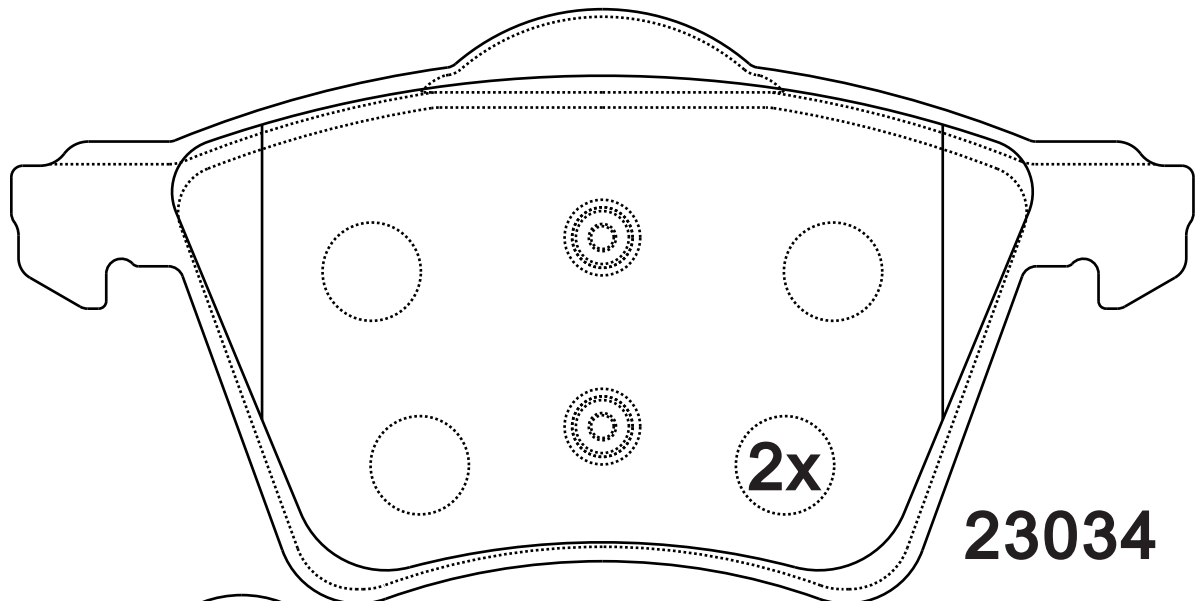
**Thickness
(mm)**

19

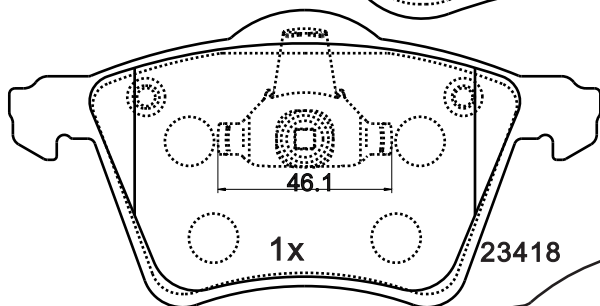


NOTE

4 identical, 1 with warn indicator.



23034

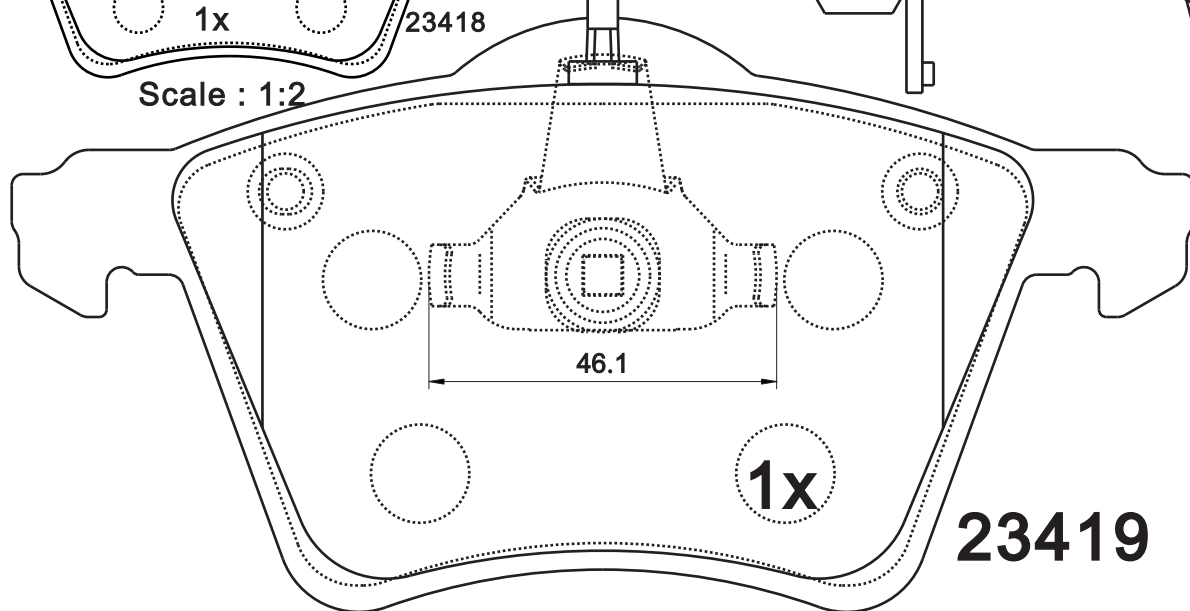
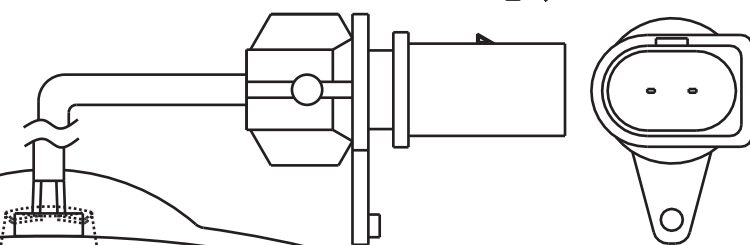


1x

23418

Scale : 1:2

X0014D 总长277mm



1x

23419

Apply for:

Seat Alhambra	MPV	04.96-03.10
Volkswagan Sharan	MPV	09.95-03.10

SR0631.02

**Dimension
(mm)**

156.3×78.5

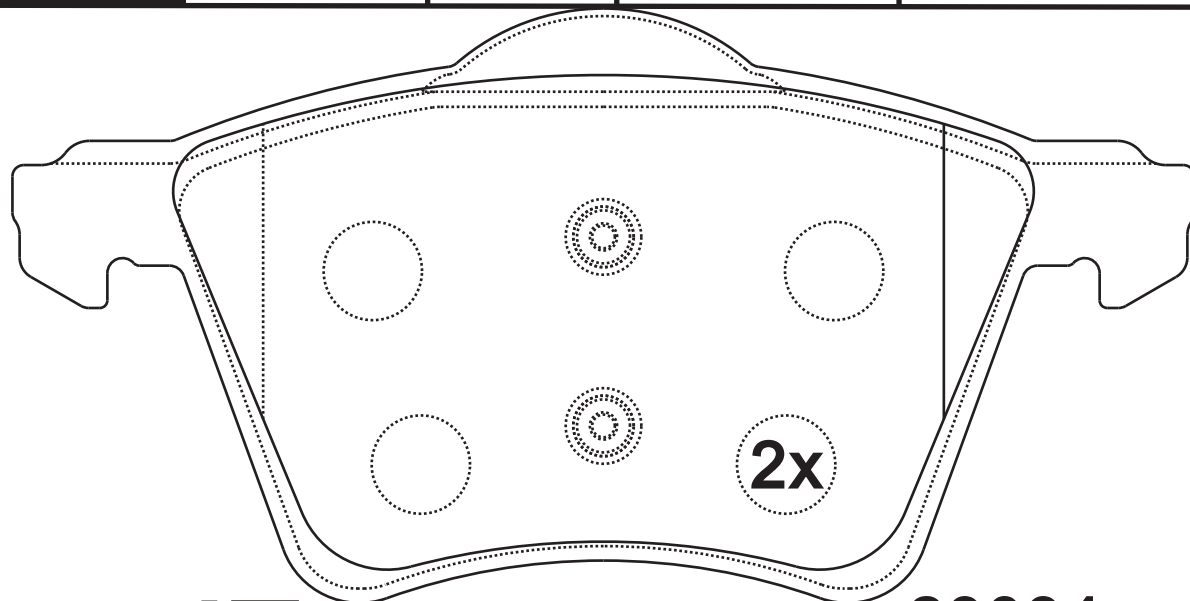
**Thickness
(mm)**

19.6

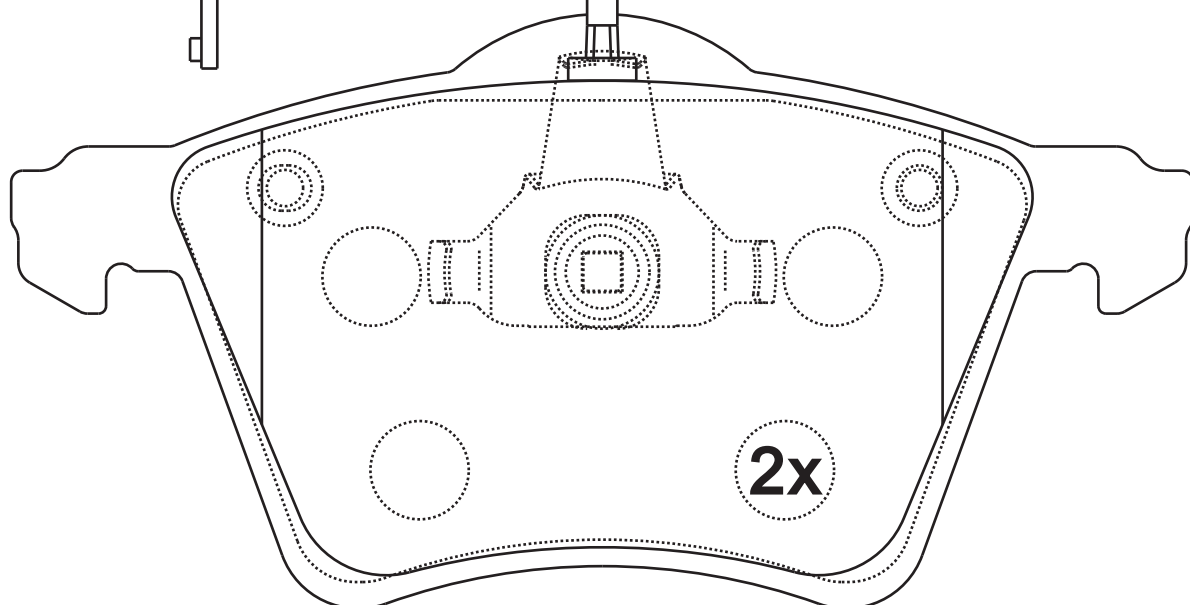
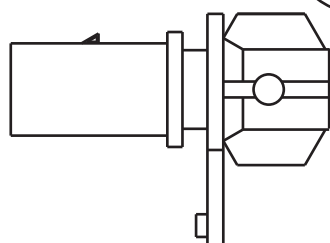


NOTE

4 identical, 1 with warn indicator.



23034



23036

Apply for:

Ford Galaxy (Latin America)
Seat Alhambra (Latin America)
Volkswagen EuroVan
Volkswagen Sharan (Latin America)

2001-2006
2002
2000-2001
2002

SR0631.03

**Dimension
(mm)**

156.3×78.5

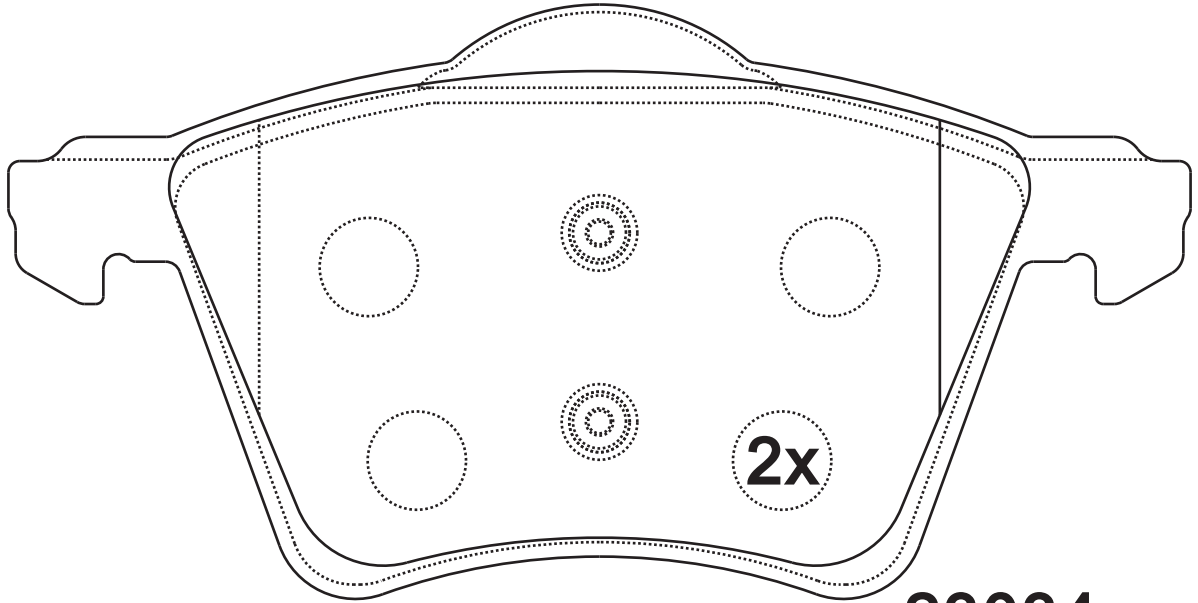
**Thickness
(mm)**

19.6

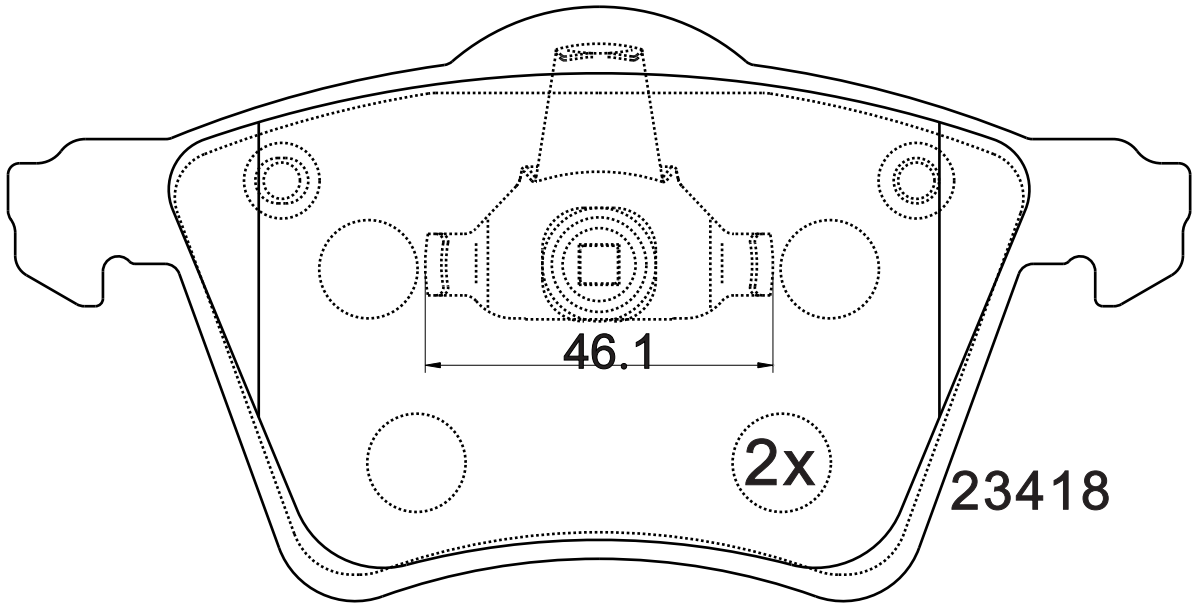


NOTE

4 identical, 1 with warn indicator.



23034



23418

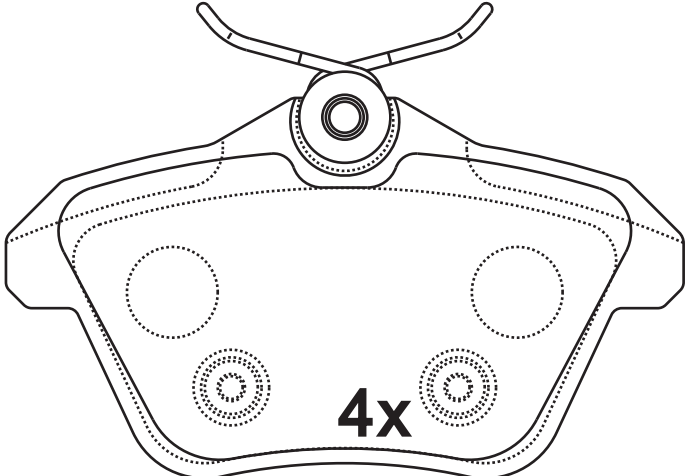
Ford Galaxy (Latin America)
Seat Alhambra (Latin America)
Volkswagen EuroVan
Volkswagen Sharan (Latin America)

2001-2006
2002
2000-2001
2002

SR0632.01

Dimension (mm)	Thickness (mm)	
89.6×50.3	16.7	

NOTE
4 identical ;



21606

Apply for:

- | | | |
|---------------------------|--------|-------------|
| Alfa Romeo 156 | Saloon | 04.96-03.10 |
| Alfa Romeo 156 Sportwagon | Estate | 05.00-05.06 |

SR0632

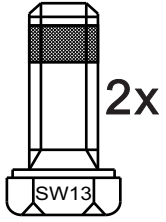
**Dimension
(mm)**

**Thickness
(mm)**



NOTE

**附件包
Accessory bag**



M8×21

L0010

FJB0003.01

SR0633.01

**Dimension
(mm)**

164.7×63.7

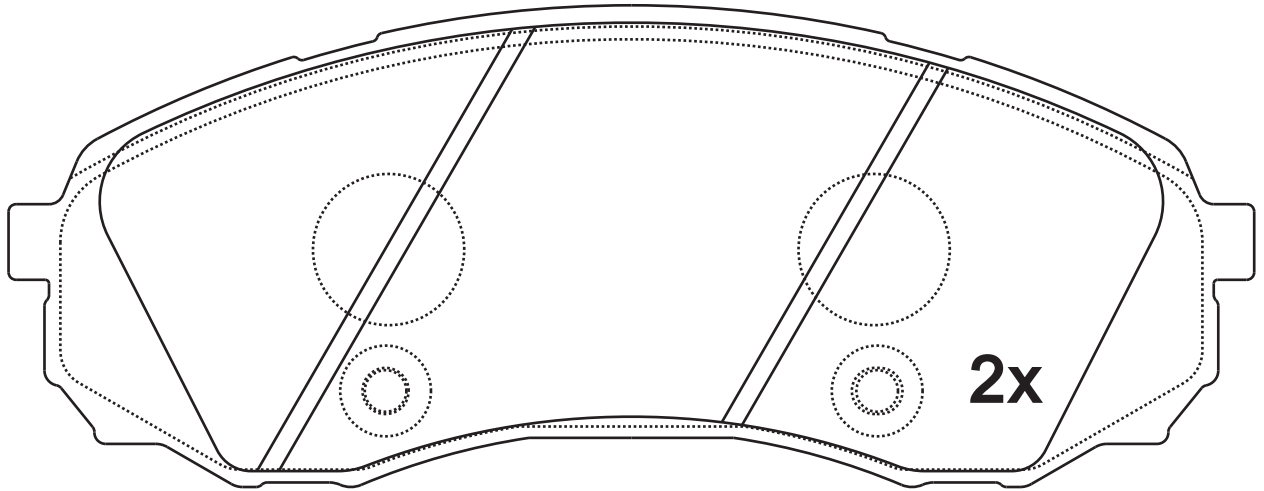
**Thickness
(mm)**

17.7

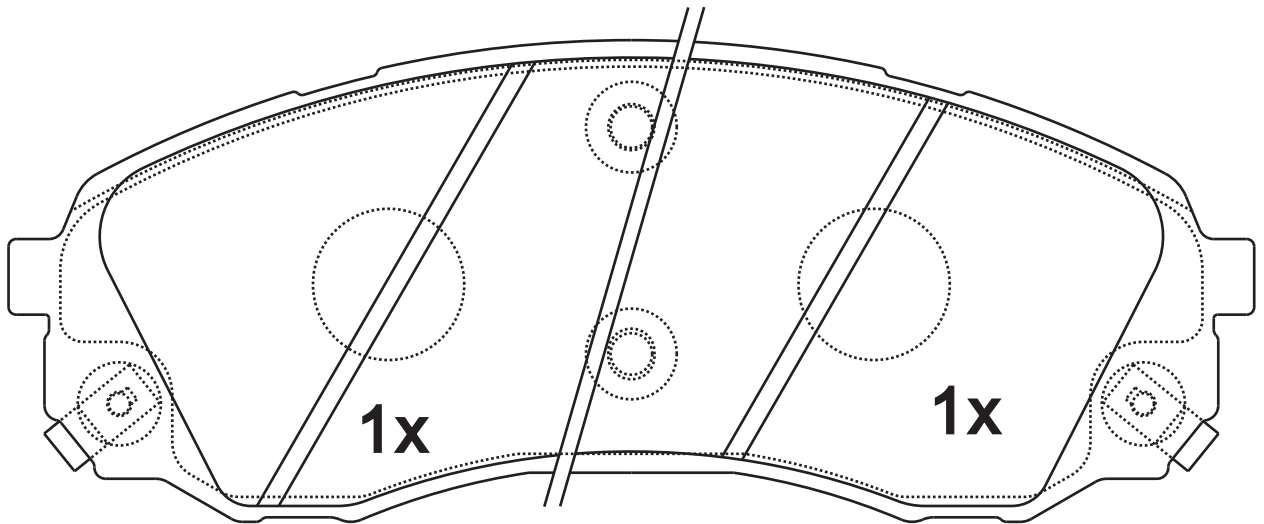


NOTE

4 identical, 1 with acoustic indicator(left), 1 with acoustic indicator(right).



24598



24609

24597

Apply for:

Hyundai H-1	Box	02.08-
Hyundai H-1	Bus	05.08-
kia Carnival/Grand Carnival III MPV		06.06-

SR0633

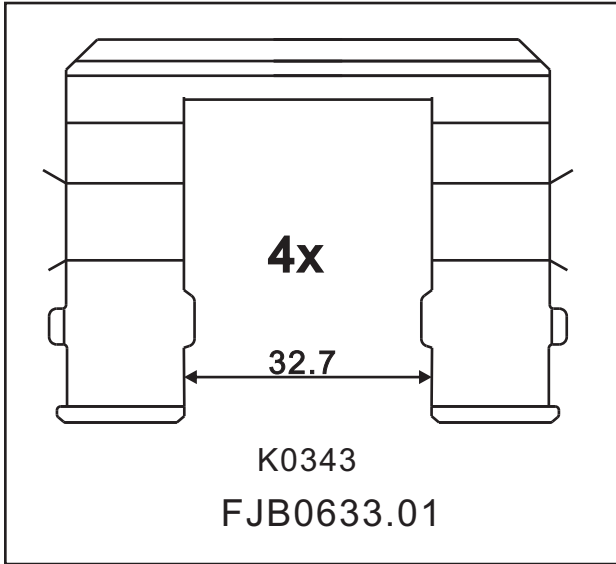
**Dimension
(mm)**



**Thickness
(mm)**

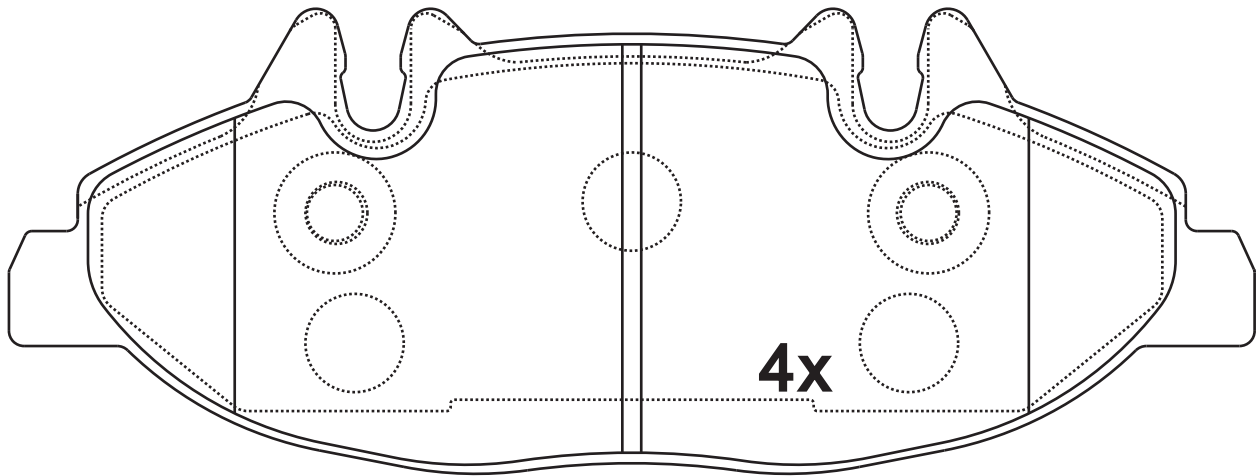


NOTE

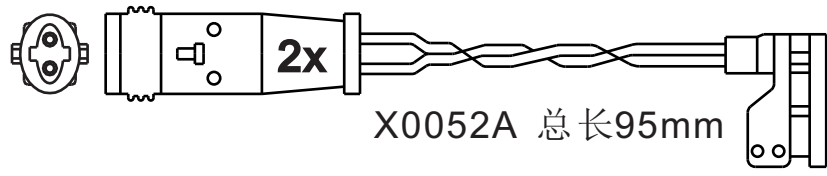
**附件包
Accessory bag**



SR0634.01	Dimension (mm)	Thickness (mm)		NOTE 4 identical;
	164.7×61.5	20.8		



24007



X0052A 总长95mm

FJB2X0052A

Apply for:

Mercedes Viano	MPV	09.03-
Mercedes Vito Bus	Bus	09.03-
Mercedes Vito/Mixto	Box	09.03-

SR0634

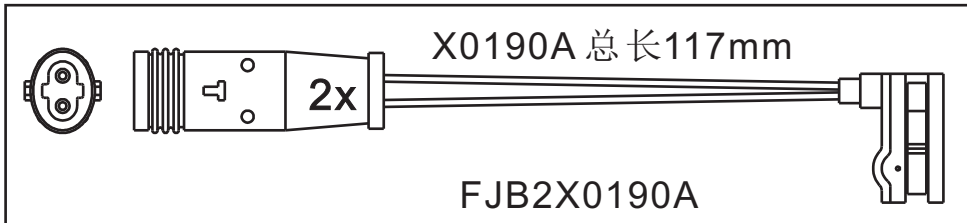
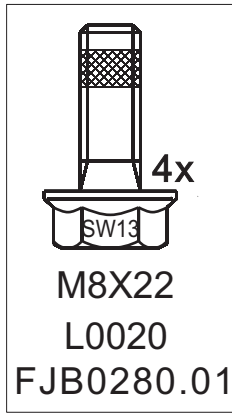
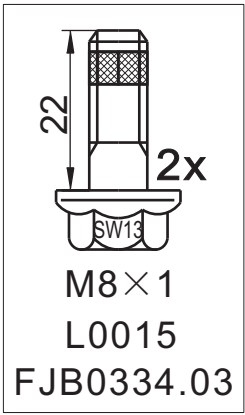
**Dimension
(mm)**

**Thickness
(mm)**



NOTE

附件包
Accessory bag



SR0635.01

**Dimension
(mm)**

138.6×71.6

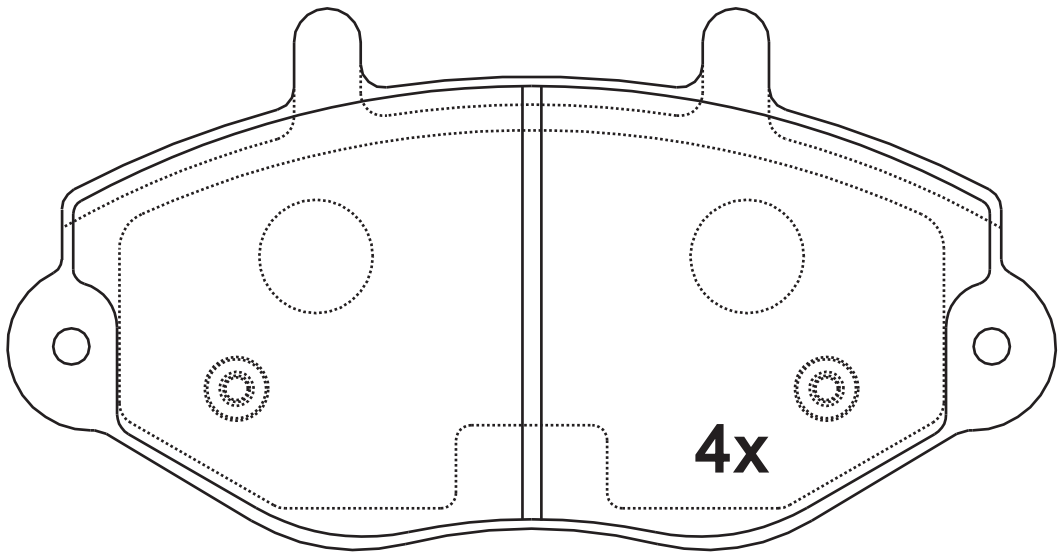
**Thickness
(mm)**

18



NOTE

4 identical;



21469

Apply for:

Ford Transit

Platform/Chassis

10.98-07.00

SR0635.02

**Dimension
(mm)**

138.6×71.6

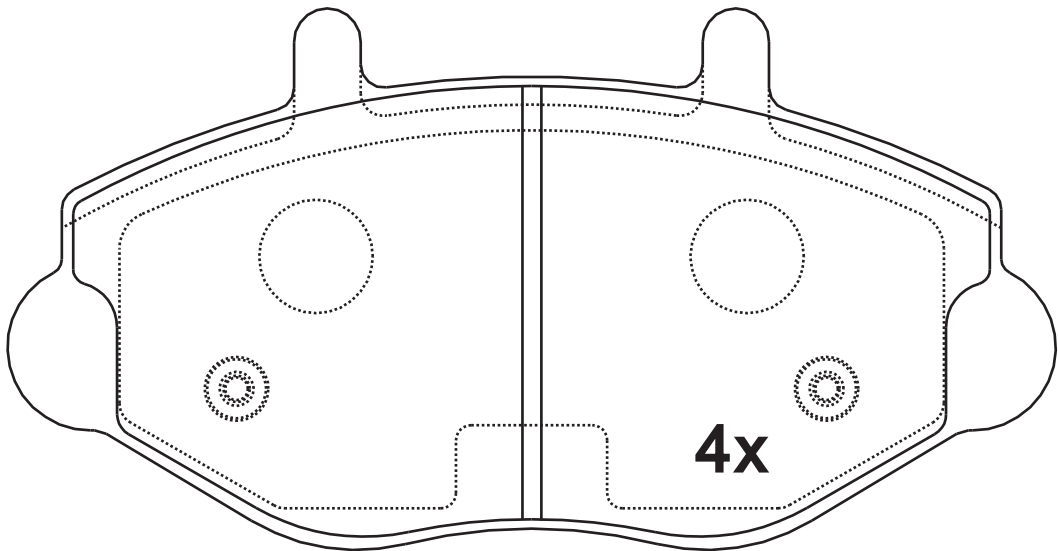
**Thickness
(mm)**

18



NOTE

4 identical;



21469

Apply for:

Ford Transit

Platform/Chassis

10.98-07.00

SR0636.01

**Dimension
(mm)**

**Thickness
(mm)**

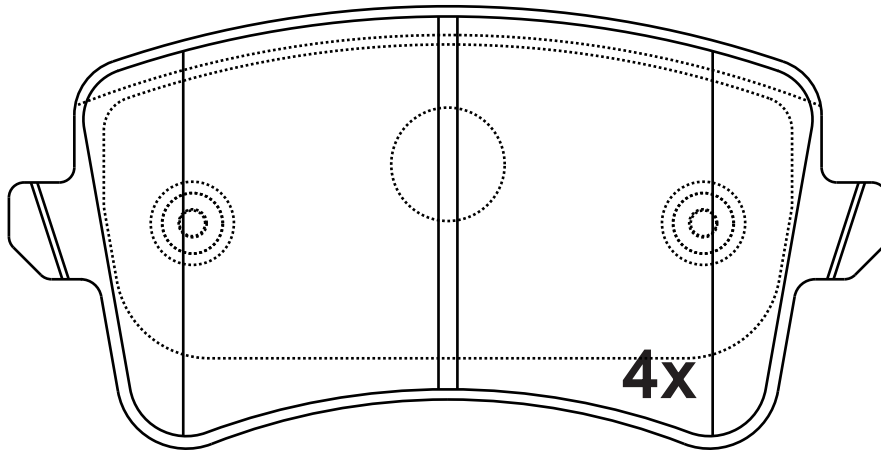


NOTE

4 identical;

116.1×58.5

17.4



24606

Apply for:

Audi A4	Saloon	11.07-12.15
Audi A4 Avant	Estate	11.07-12.15
Audi A4 Allroad	Estate	04.09-
Audi A5	Coupe	06.07-
Audi A5 Sportback	Hatchback	09.09-
Audi A5 Convertible	Convertible	03.09-
Audi Q5	Closed off-Road	11.08-

SR0636.02

**Dimension
(mm)**

**Thickness
(mm)**

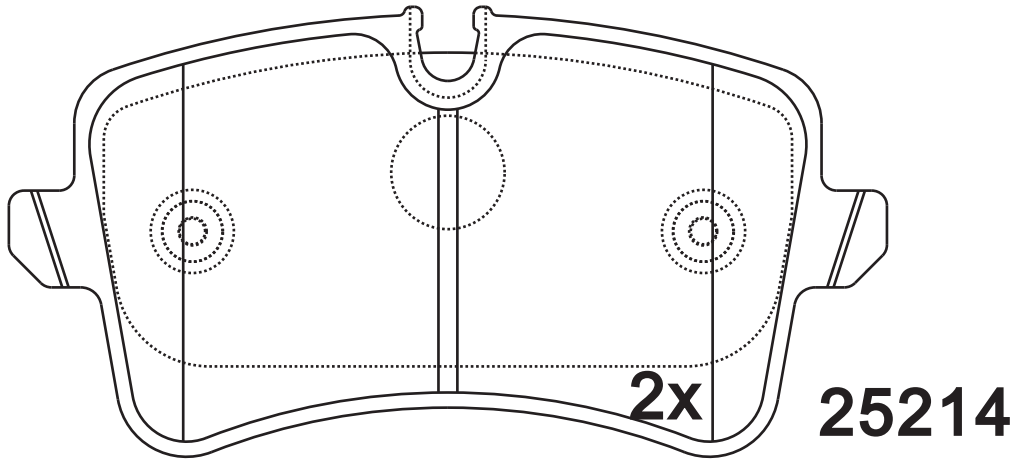
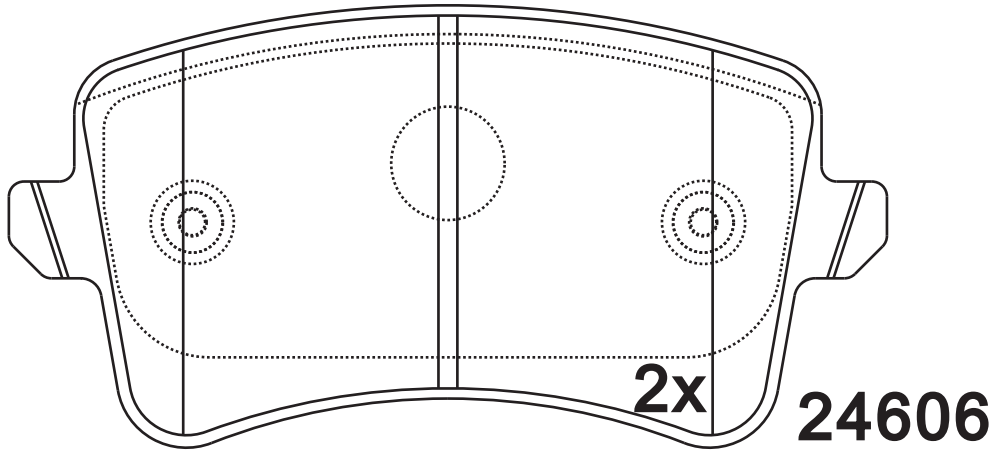


NOTE

2 identical;2 identical;

116.4×58.5
116.4×59.5

17.4



Apply for:

Audi A6
Audi A6 Quattro L4

2012-2013
2013

SR0636

**Dimension
(mm)**

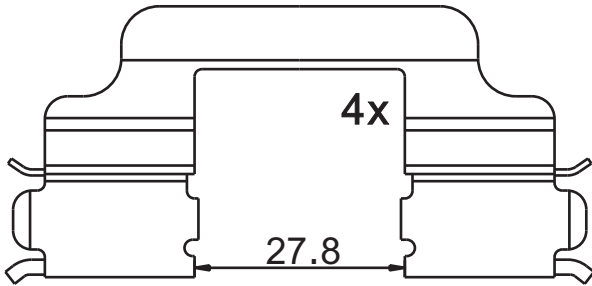
**Thickness
(mm)**



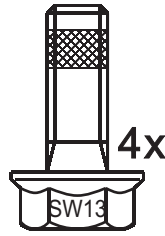
NOTE

附件包

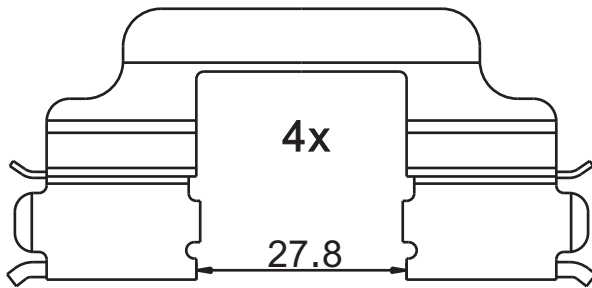
Accessory bag



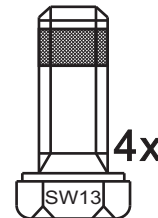
K0095
FJB0636.01



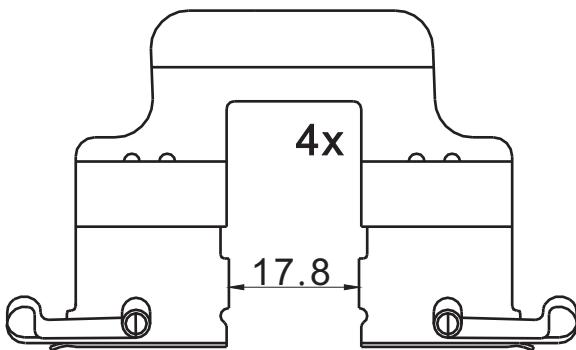
4x
M8X22
L0020



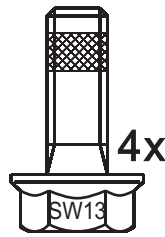
K0095
FJB0636.02



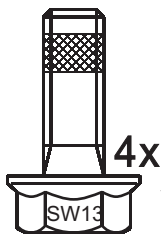
4x
M8×21
L0010



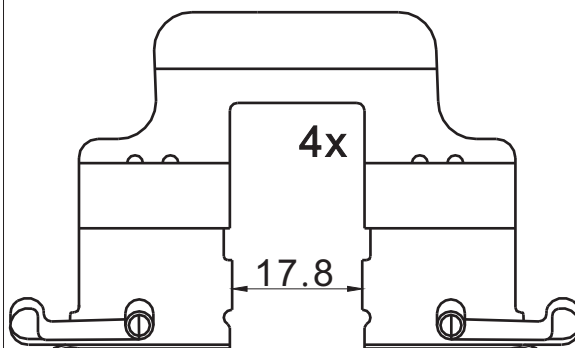
K0126
FJB0636.03



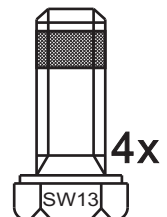
4x
M8X22
L0020



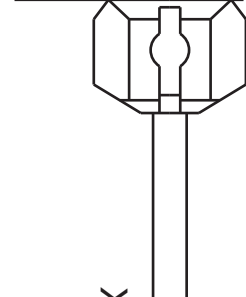
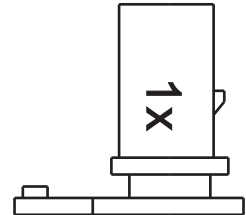
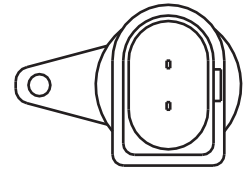
4x
M8X22
L0020
FJB0280.01



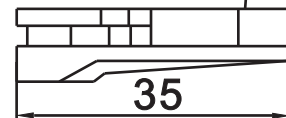
K0126
FJB0636.04



4x
M8×21
L0010



X0321A 总长215mm



FJB1X0321A

SR0636

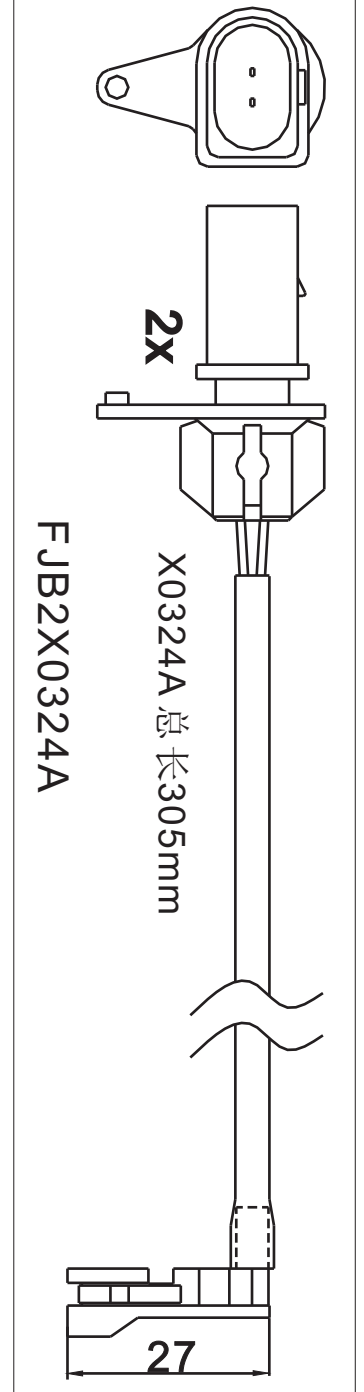
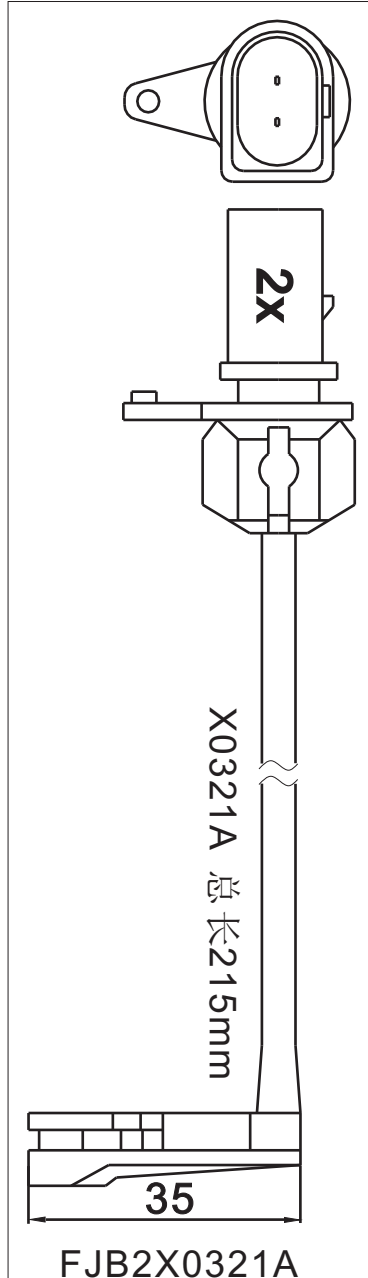
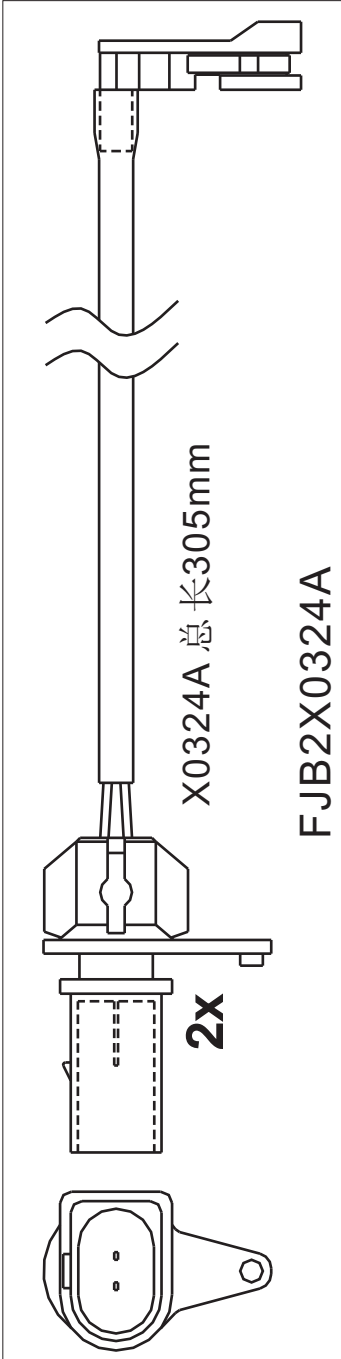
**Dimension
(mm)**

**Thickness
(mm)**



NOTE

**附件包
Accessory bag**



SR0637.01

**Dimension
(mm)**

115.8×58.7

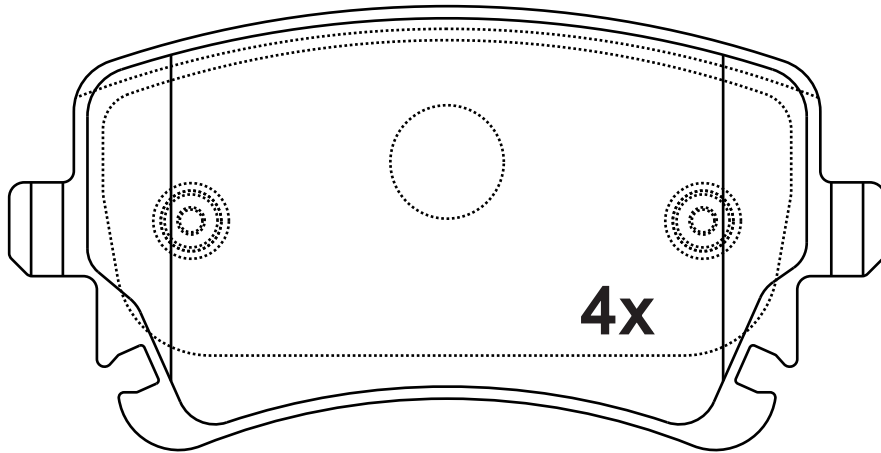
**Thickness
(mm)**

17.4

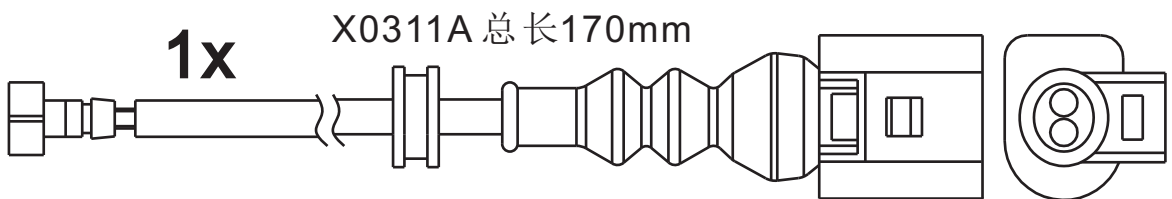


NOTE

4 identical;



23326



FJB1X0311A

Apply for:

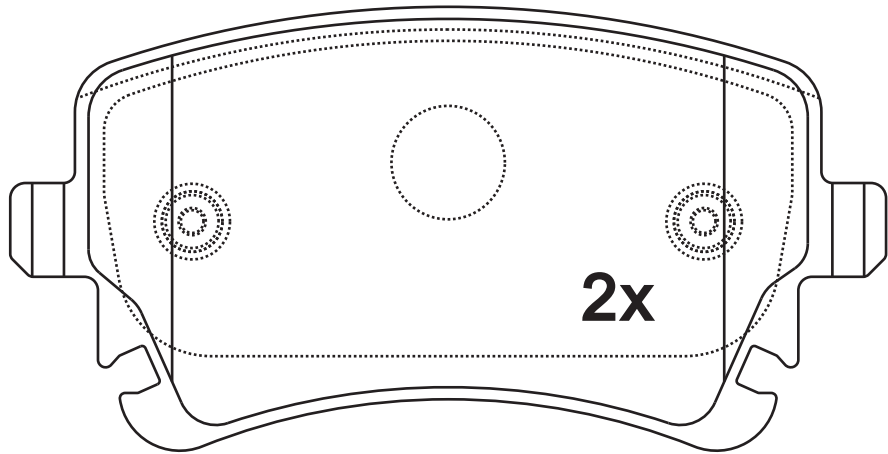
Volkswagan Multivan V
Audi A4
Audi A4 Avant
Audi A4 Allroad
Audi A5
Audi A5 Sportback
Audi A5 Convertible
Audi Q5

MPV	11.03-
Convertible	03.09-
Estate	11.07-12.15
Estate	04.09-
Coupe	06.07-
Hatchback	09.09-
Convertible	03.09-
Closed off-Road	11.08-

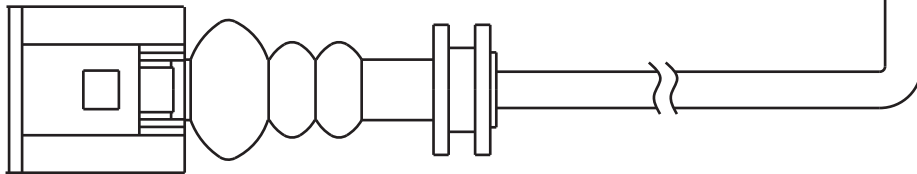
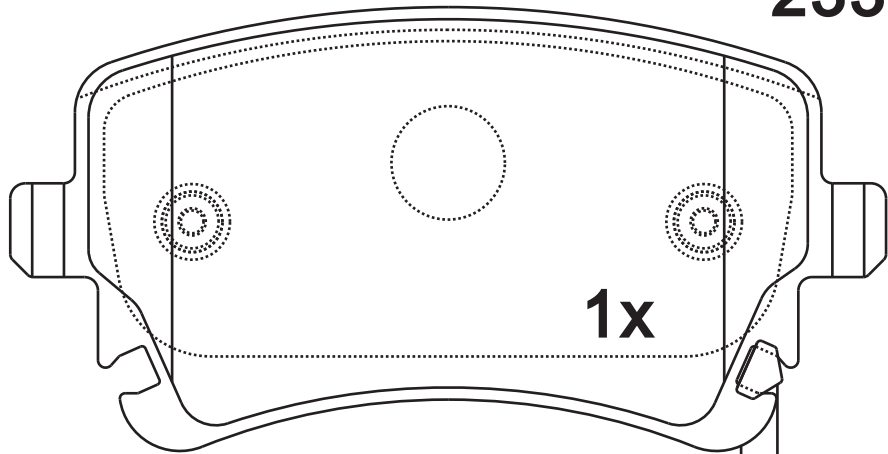
SR0637.02

Dimension (mm)	Thickness (mm)	
116.1×59	17.4	

NOTE
4 identical, 1 with warn indicator(left), 1 with warn indicator(right).



23326



... Next Page

SR0637.02

**Dimension
(mm)**

**Thickness
(mm)**

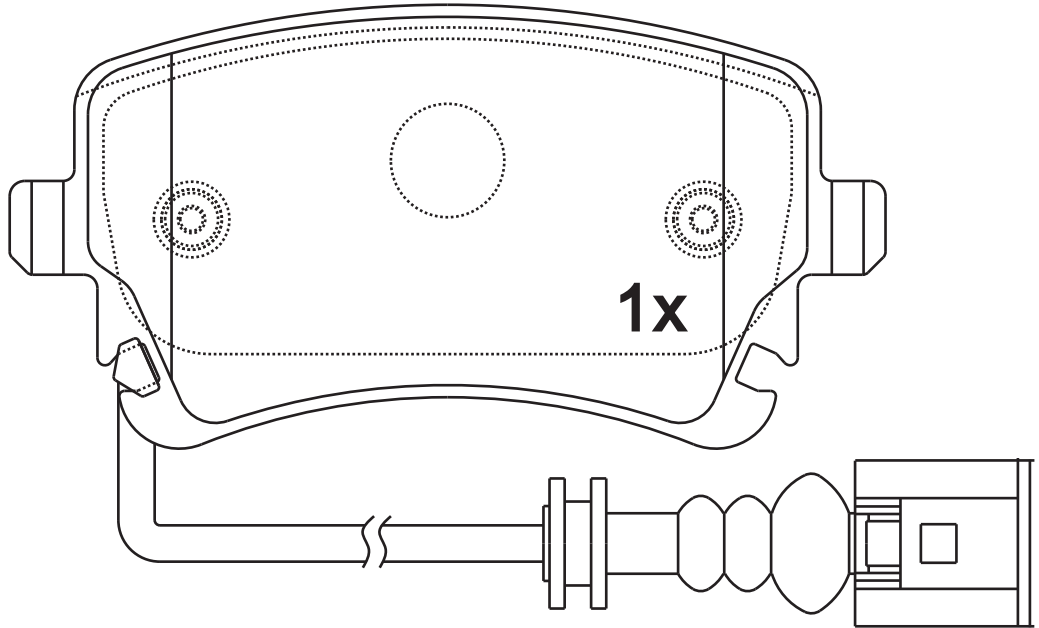


NOTE

4 identical, 1 with warn indicator(left), 1 with warn indicator(right).

116.1×59

17.4



23326

Apply for:

Volkswagen Multivan V
Audi A4
Audi A4 Avant
Audi A4 Allroad
Audi A5
Audi A5 Sportback
Audi A5 Convertible
Audi Q5

MPV 11.03-
Convertible 03.09-
Estate 11.07-12.15
Estate 04.09-
Coupe 06.07-
Hatchback 09.09-
Convertible 03.09-
Closed off-Road 11.08-

SR0637.03

**Dimension
(mm)**

**Thickness
(mm)**

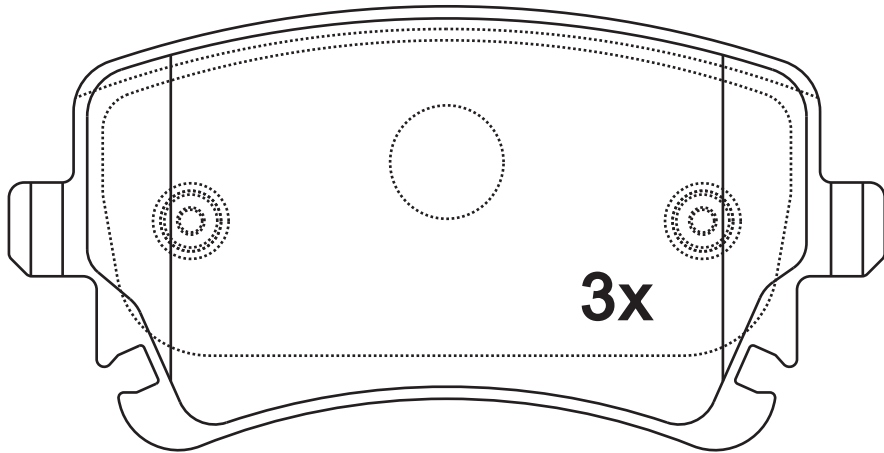


NOTE

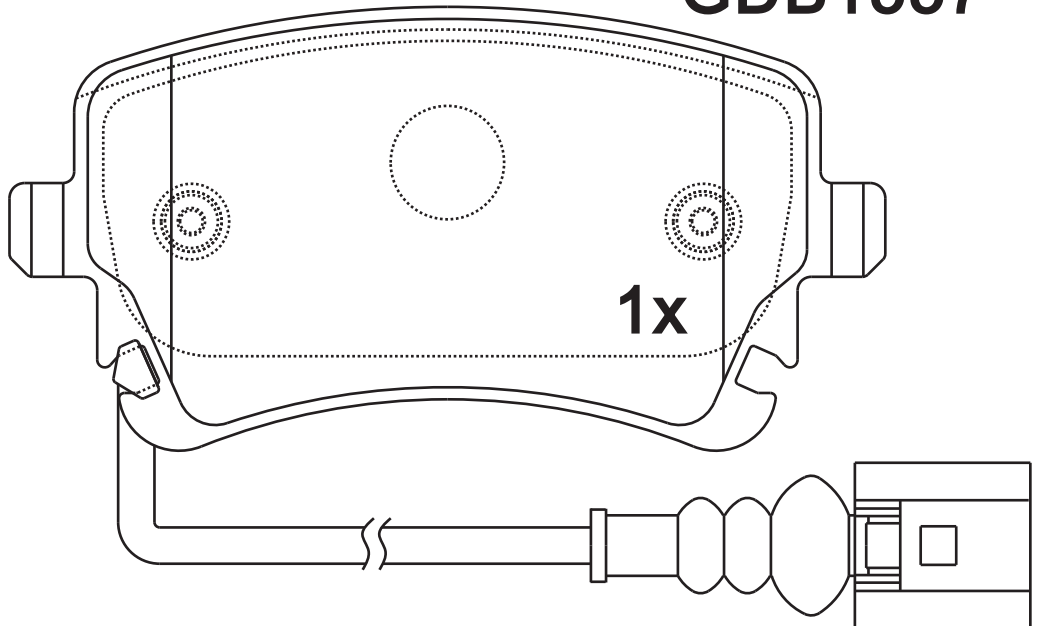
4 identical, 1 with warn indicator(left), 1 with warn indicator(right).

116.1×59

17.4



GDB1557



Apply for:

Volkswagan Multivan V
Audi A4
Audi A4 Avant
Audi A4 Allroad
Audi A5
Audi A5 Sportback
Audi A5 Convertible
Audi Q5

MPV 11.03-
Convertible 03.09-
Estate 11.07-12.15
Estate 04.09-
Coupe 06.07-
Hatchback 09.09-
Convertible 03.09-
Closed off-Road 11.08-

SR0637.04**Dimension
(mm)****Thickness
(mm)****NOTE****4 identical;**

116.1×59

17.4



取消 SR0637.04=SR0637.01+FJB0280.01

Apply for:

Volkswagan Multivan V	MPV	11.03-
Audi A4	Convertible	03.09-
Audi A4 Avant	Estate	11.07-12.15
Audi A4 Allroad	Estate	04.09-
Audi A5	Coupe	06.07-
Audi A5 Sportback	Hatchback	09.09-
Audi A5 Convertible	Convertible	03.09-
Audi Q5	Closed off-Road	11.08-

SR0637

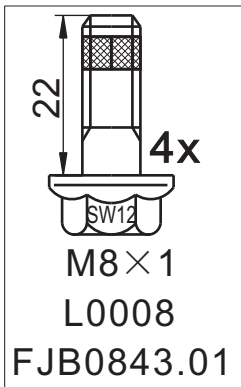
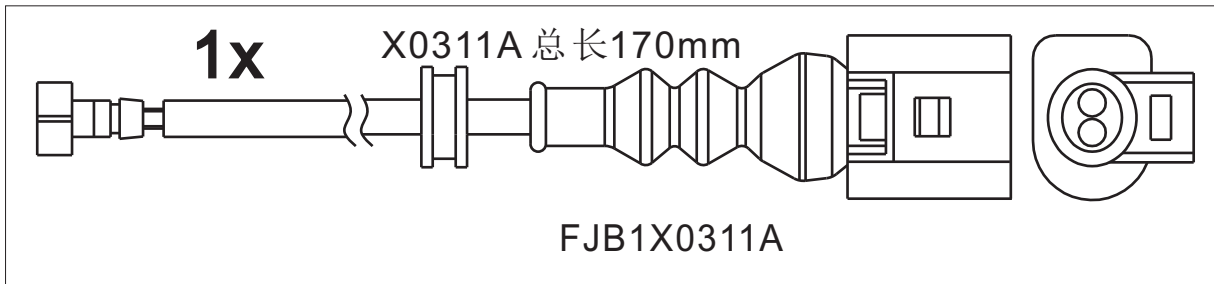
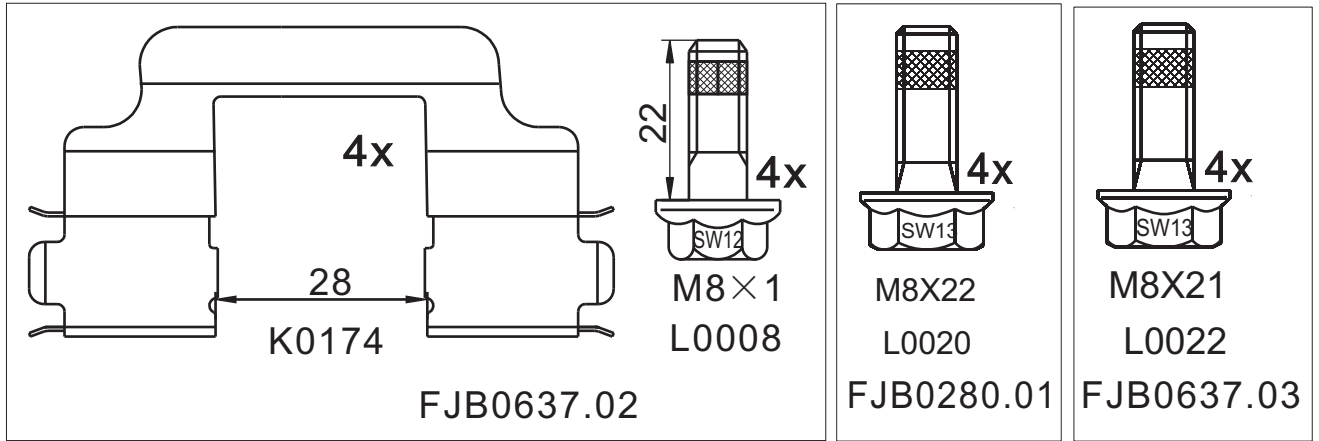
**Dimension
(mm)**

**Thickness
(mm)**



NOTE

附件包
Accessory bag



SR0638.01

**Dimension
(mm)**

**Thickness
(mm)**



NOTE

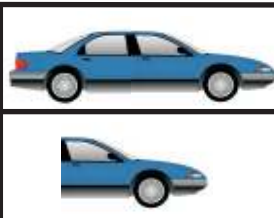
SR0639.01

**Dimension
(mm)**

156.4×67.3
156.4×62.5

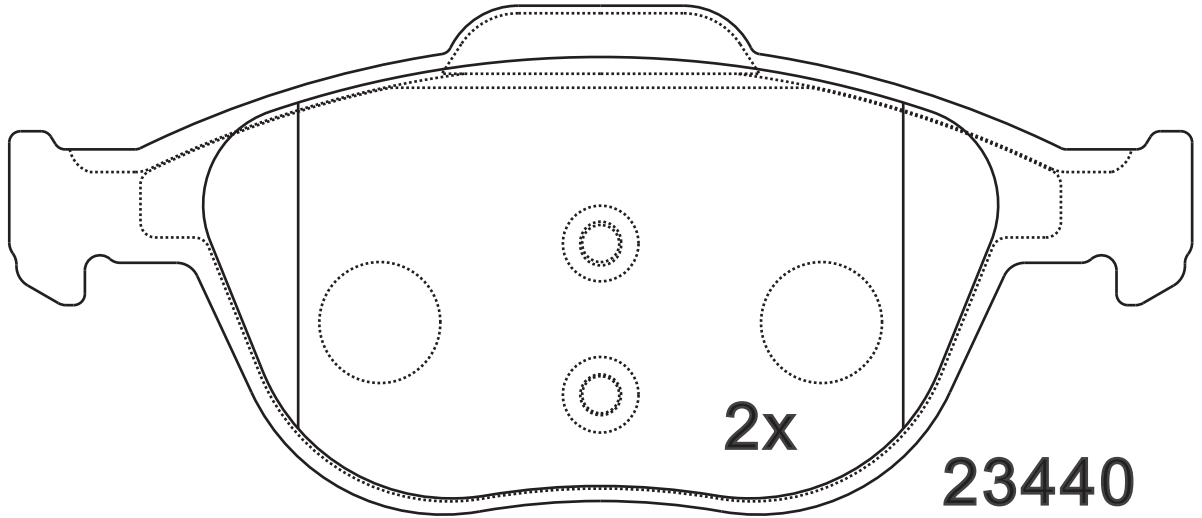
**Thickness
(mm)**

17.8

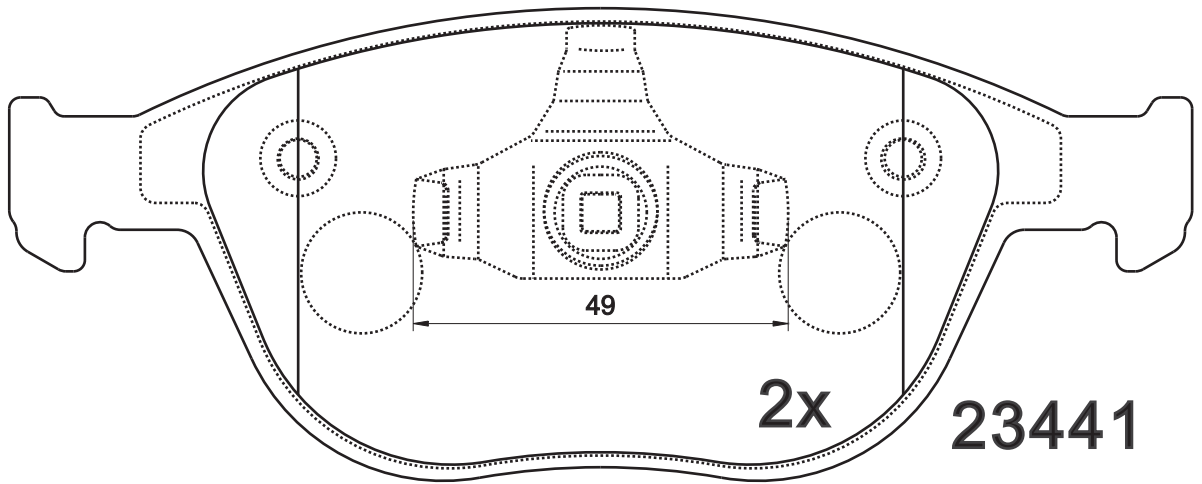


NOTE

**2 identical ;2 identical
with spring ;**



23440



23441

Apply for:

Ford Fiesta V

Hatchback

03.05-06.08

Ford Transit Connect

Box

06.02-12.13

SR0640.01

**Dimension
(mm)**

156.3×74

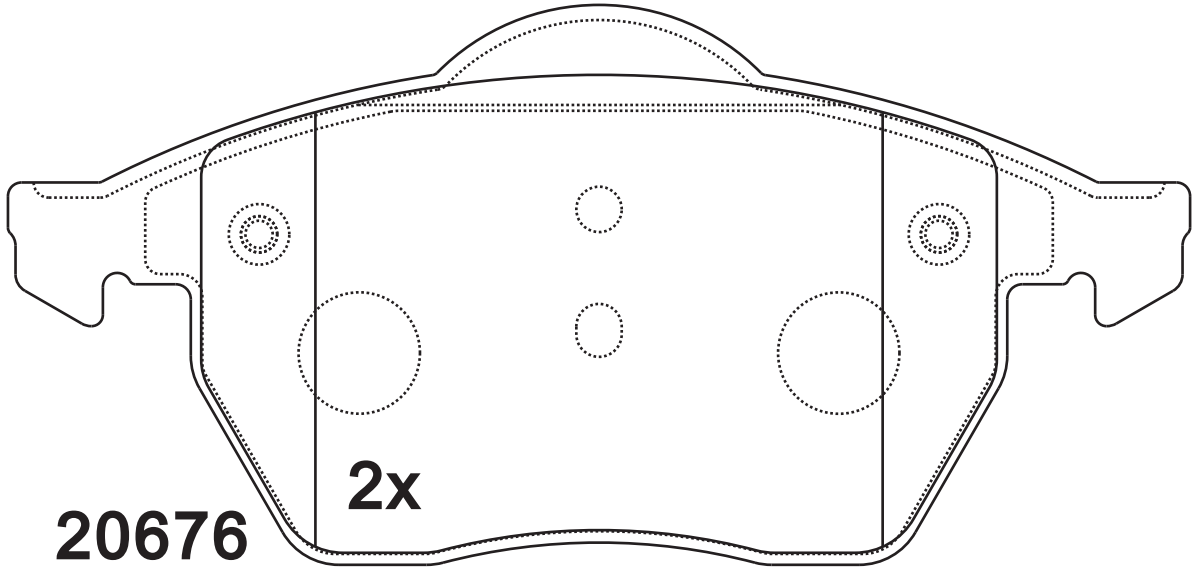
**Thickness
(mm)**

19.5

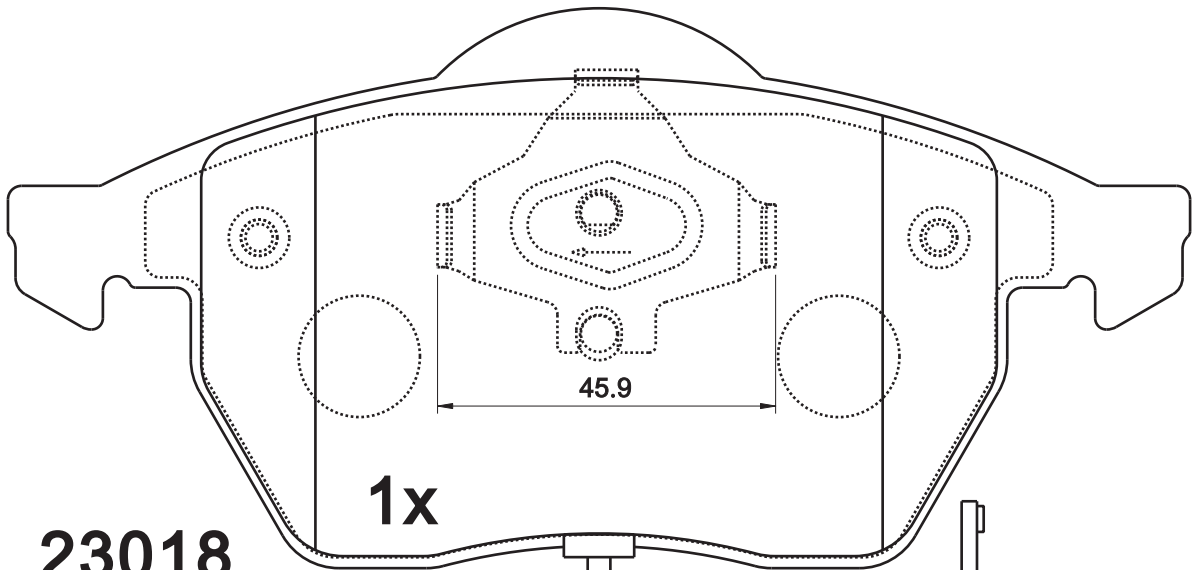


NOTE

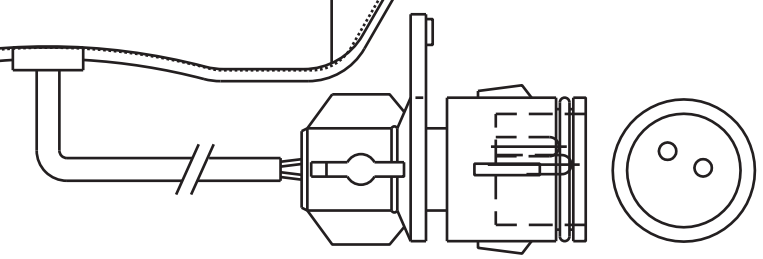
**2 identical ;2 identical
with spring and warn
indicator:219mm.**



20676



23018



X0054A 总长219mm

... ..Next

SR0640.01

**Dimension
(mm)**

156.3×74

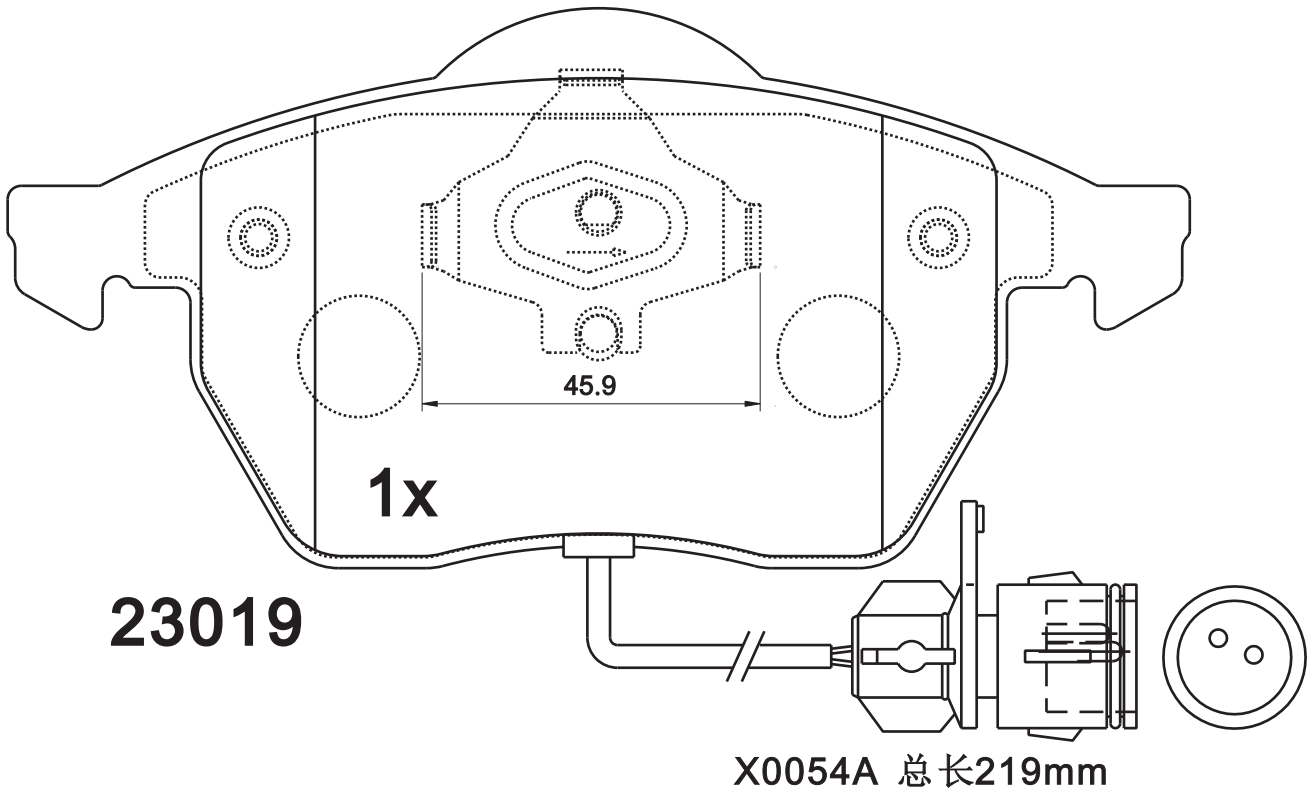
**Thickness
(mm)**

19.5



NOTE

**2 identical ;2 identical
with spring and warn
indicator:219mm.**



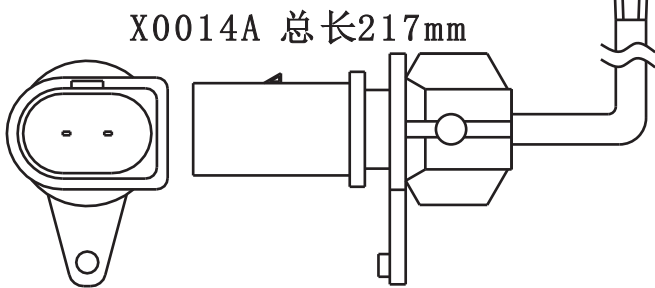
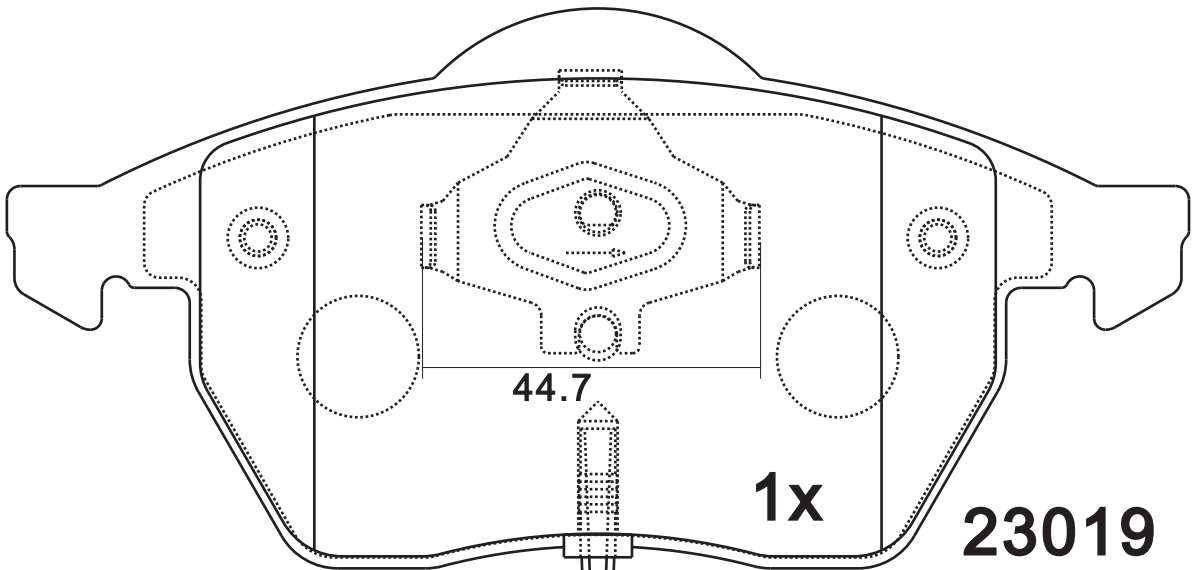
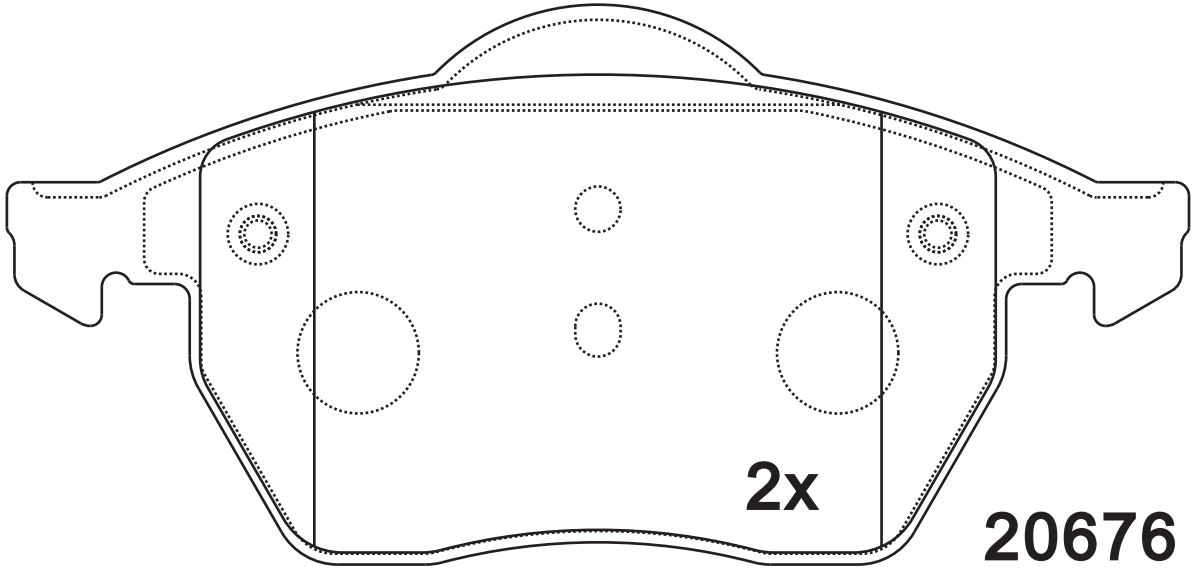
Apply for:

Audi A6	Saloon	06.94-10.97
Audi A6 Avant	Estate	06.94-02.97
Audi 100	Saloon	07.93-06.94

SR0640.02

Dimension (mm)	Thickness (mm)	
156.3×74	19.5	

NOTE
2 identical ;2 identical with spring and warn indicator:217mm.



... ..Next

SR0640.02

**Dimension
(mm)**

**Thickness
(mm)**

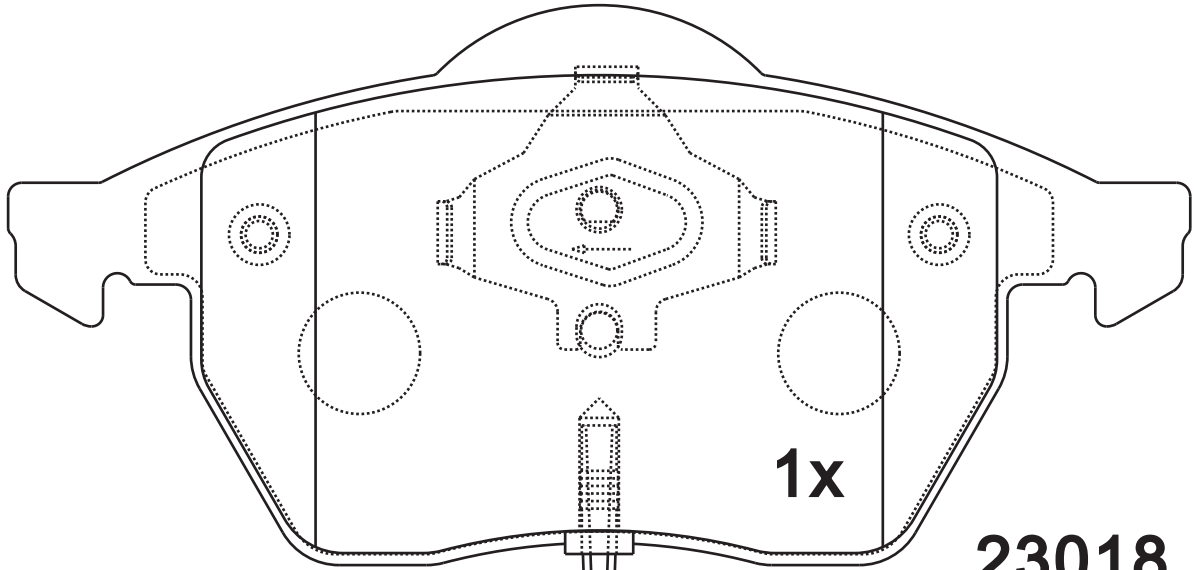


NOTE

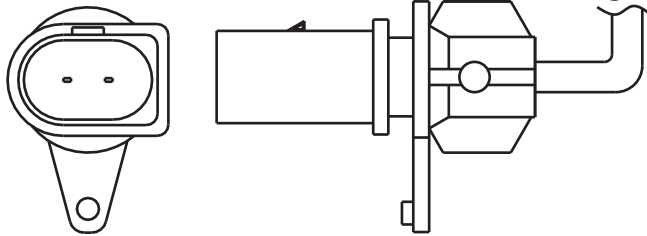
**2 identical ;2 identical
with spring and warn
indicator.**

156.3×74

19/19.5



X0014A 总长217mm



Apply for:

Audi A4	Convertible	07.02-03.09
Audi A4	Saloon	11.04-06.08
Audi A4	Estate	11.04-06.08
Audi A6	Saloon	02.00-03.11
Audi A6	Estate	03.05-08.11
Volkswagan Passat	Saloon	08.96-11.00
Volkswagan Passat	Estate	06.97-11.00

SR0640.03

**Dimension
(mm)**

156.3×74

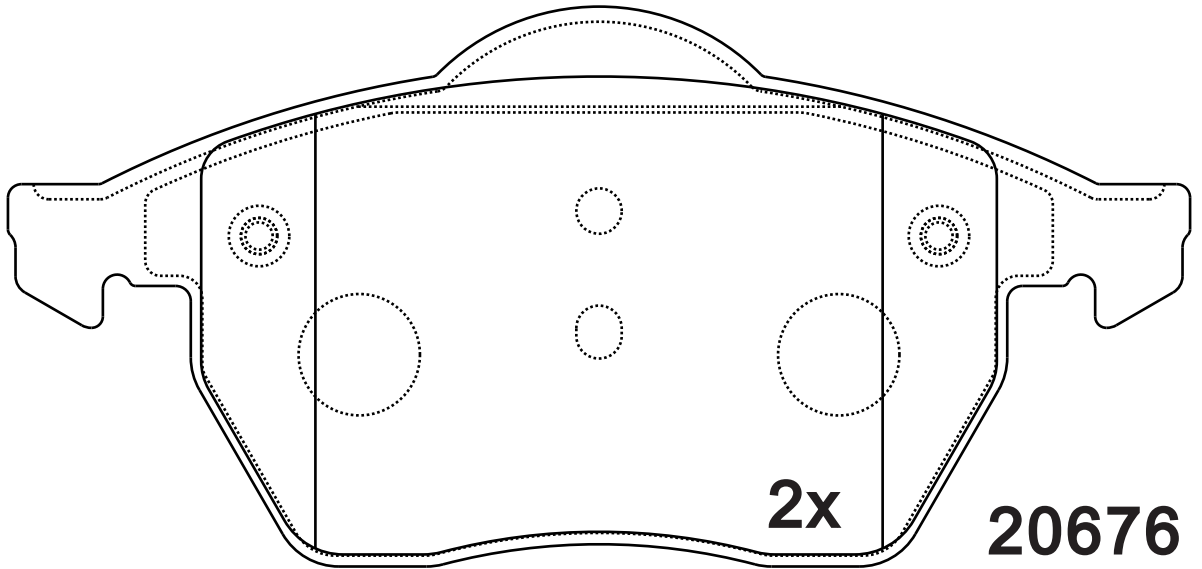
**Thickness
(mm)**

19.5

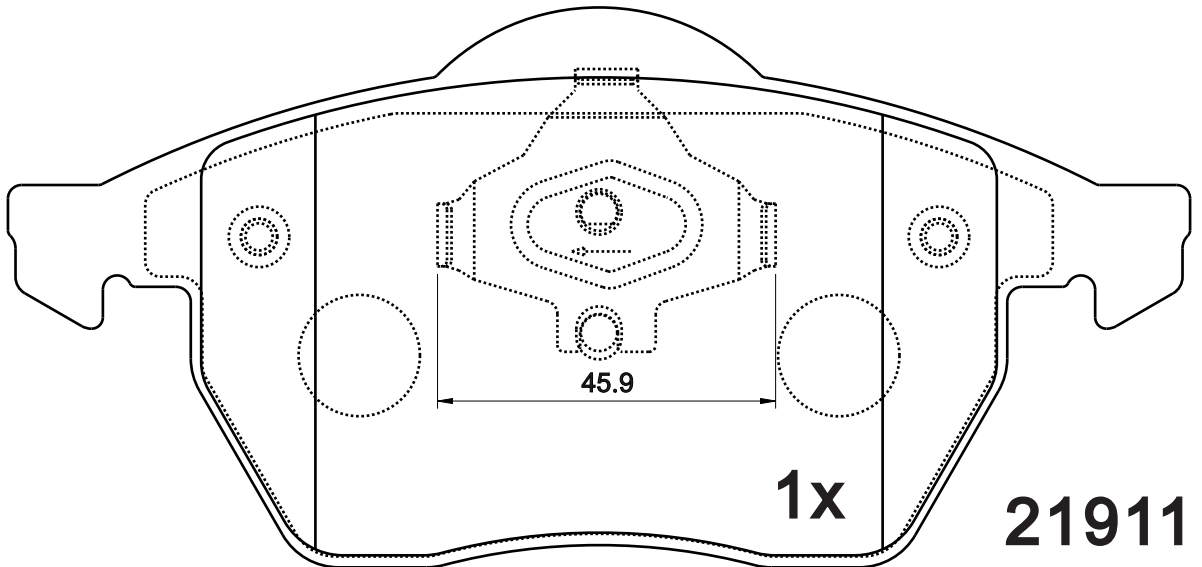


NOTE

2 identical ;2 identical with spring ,1 with warn indicator:158mm.



20676



21911

... ..Next

SR0640.03

**Dimension
(mm)**

156.3×74

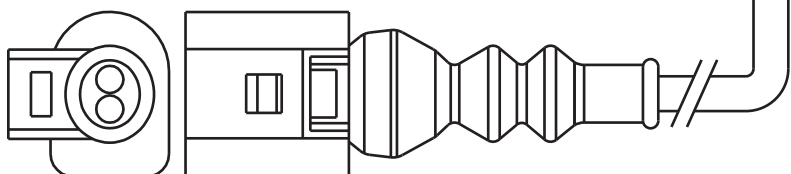
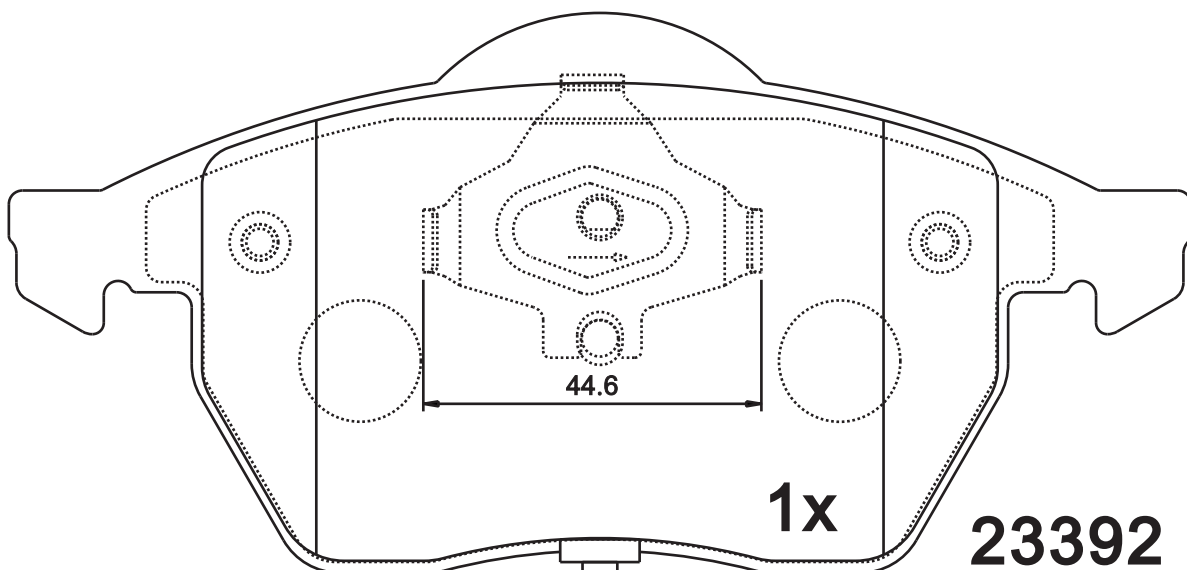
**Thickness
(mm)**

19.5



NOTE

2 identical ;2 identical with spring ,1 with warn indicator:158mm.



X0007B 总长168mm

Apply for:

- | | |
|--------------------------------------|-----------|
| Audi TT | 2001-2006 |
| Audi TT Quattro | 2002-2006 |
| Volkswagen Beetle | 2000-2003 |
| Volkswagen Beetle 288mm Brake Rotors | 2004-2010 |
| Volkswagen Beetle GLX | 1999- |
| Volkswagen Golf | 2000-2006 |
| Volkswagen Golf GTI 2.8 Liter | 1999-2005 |
| Volkswagen Jetta | 2000-2005 |

SR0640.04

**Dimension
(mm)**

156.3×74

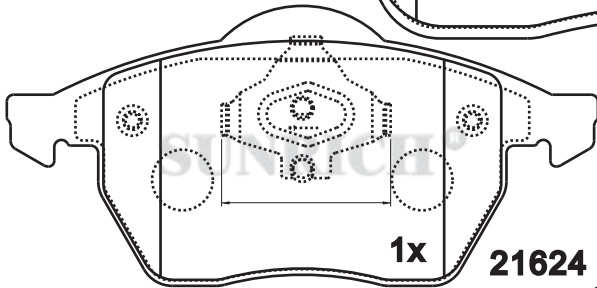
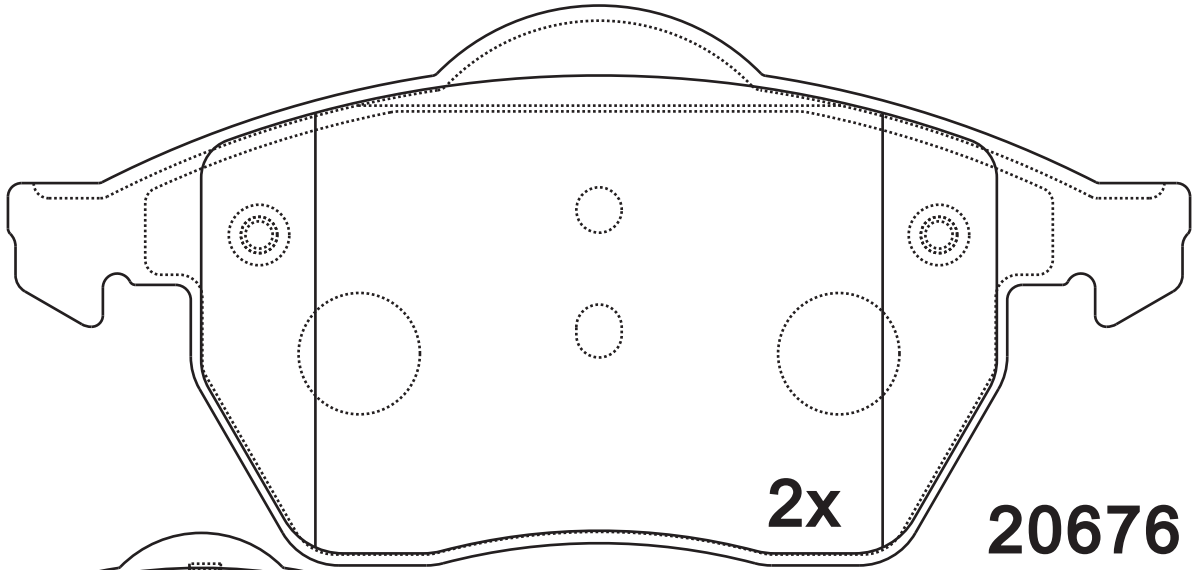
**Thickness
(mm)**

19.5

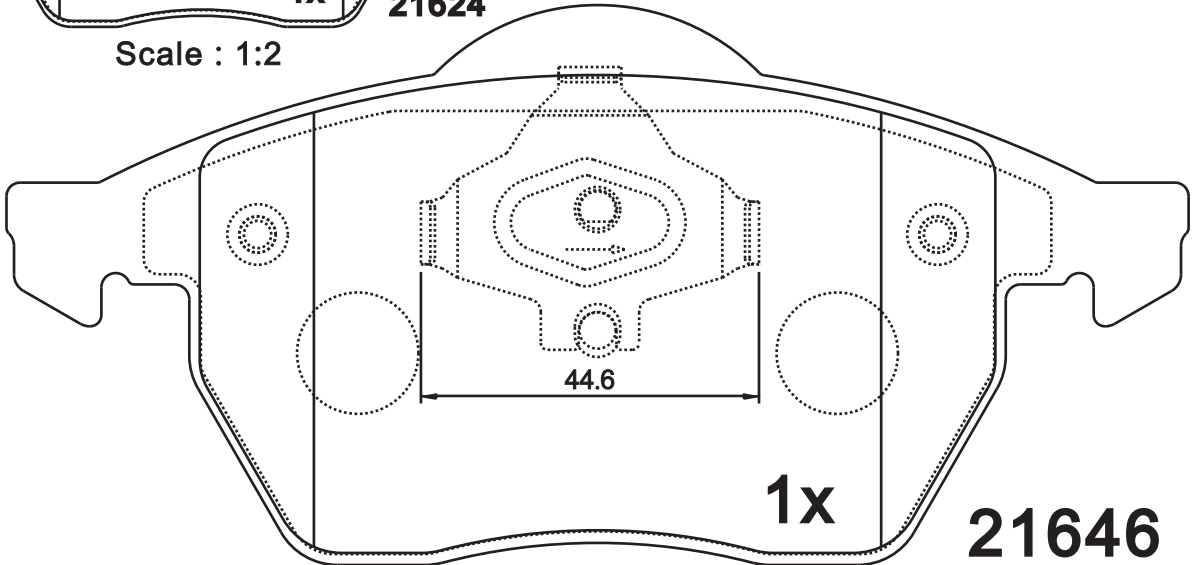


NOTE

**2 identical ;2 identical
with spring .**



Scale : 1:2



Apply for:

Audi A4 Avant	1998
Audi A4 Quattro	1999
Audi A4 Quattro Avant	1998
Volkswagen Passat	1998
Volkswagen Passat 2.8 L	1999

SR0640.05

**Dimension
(mm)**

156.3×74

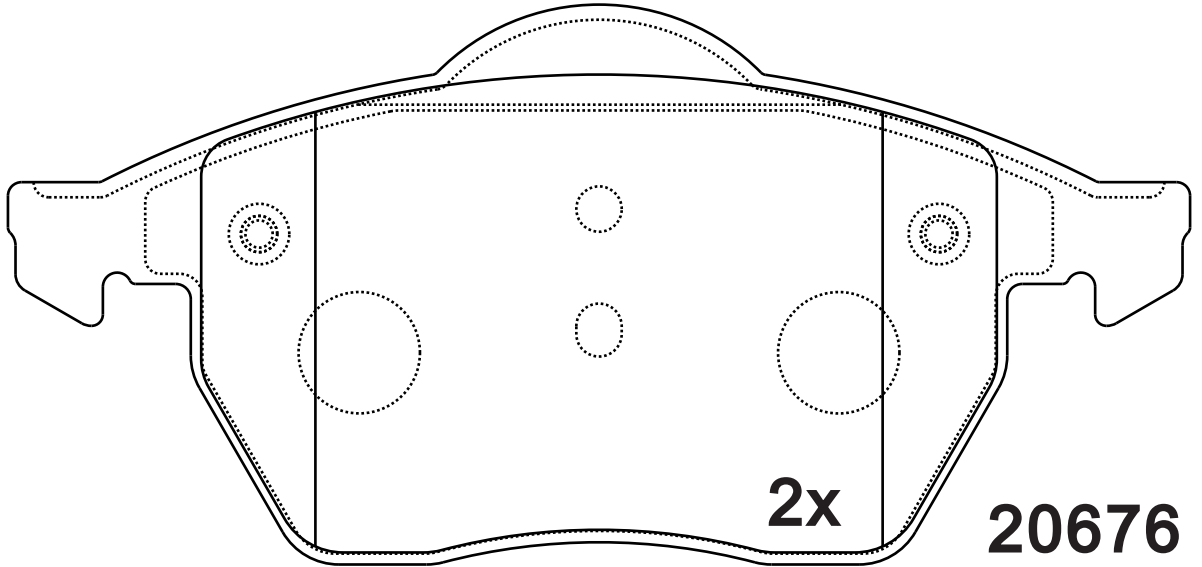
**Thickness
(mm)**

19.5

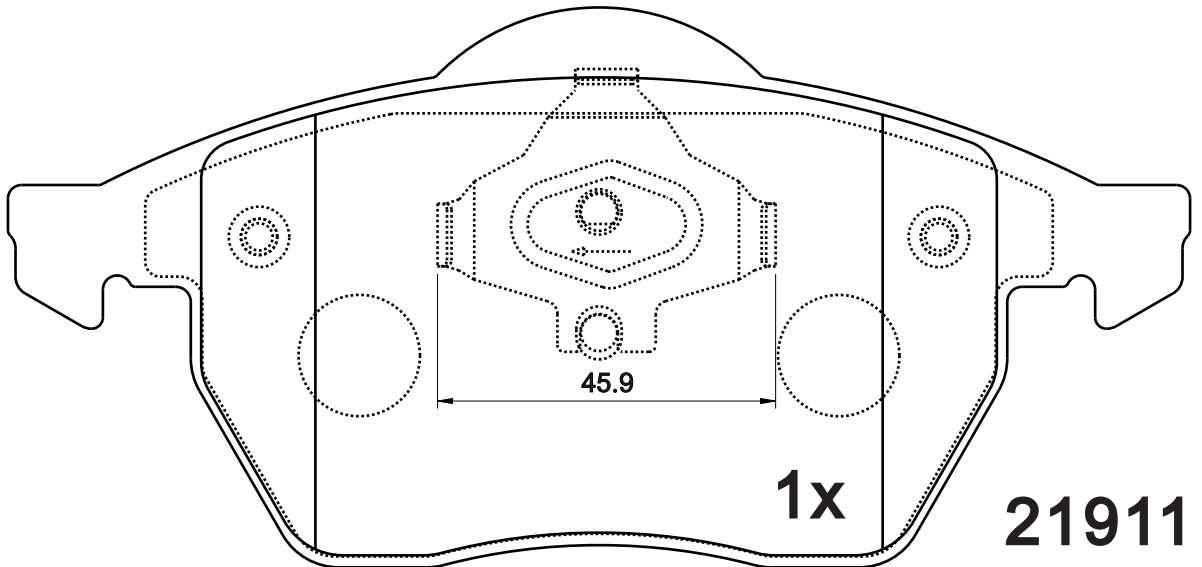


NOTE

2 identical ;2 identical with spring,1 with warn indicator:217mm.



20676



21911

... ..Next

SR0640.05

**Dimension
(mm)**

156.3×74

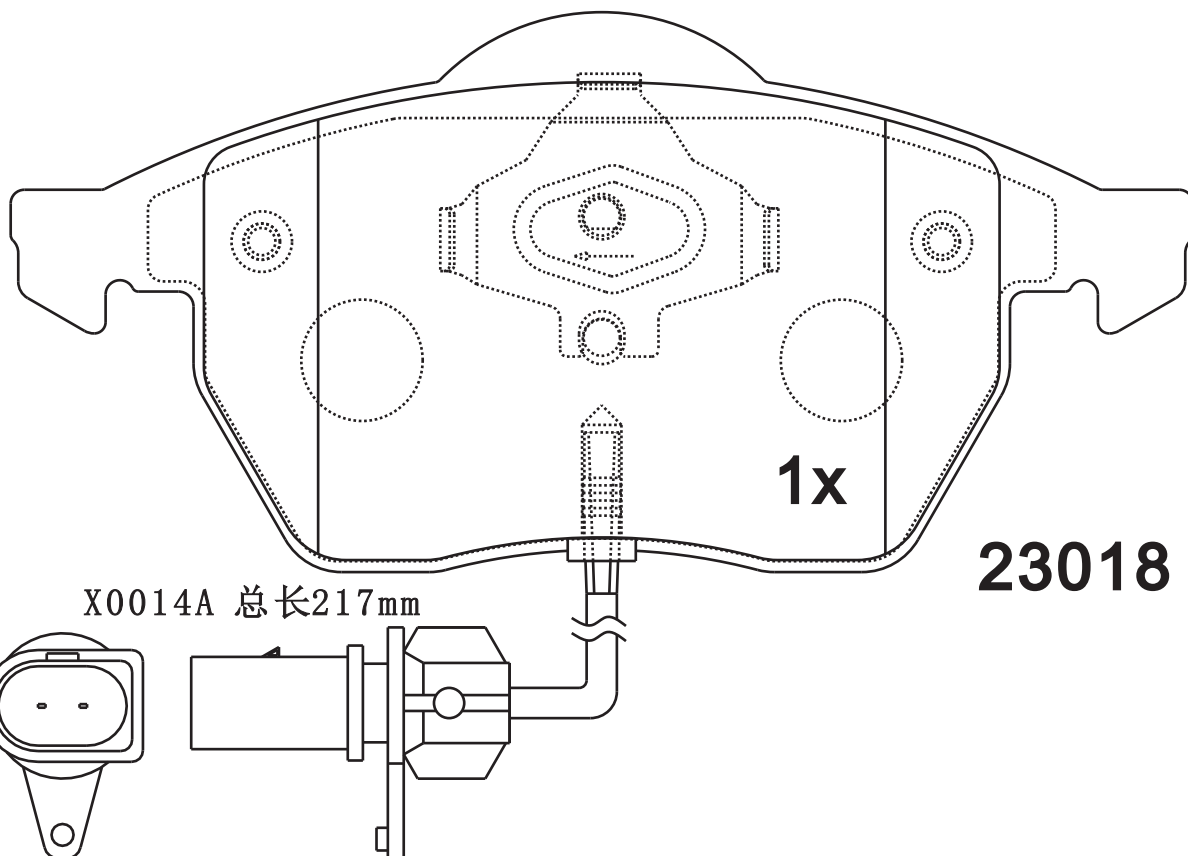
**Thickness
(mm)**

19.5



NOTE

2 identical ;2 identical with spring,1 with warn indicator:217mm.



X0014A 总长217mm

23018

Apply for:

Audi A4	Convertible	07.02-03.09
Audi A4	Saloon	11.04-06.08
Audi A4	Estate	11.04-06.08
Audi A6	Saloon	02.00-03.11
Audi A6	Estate	03.05-08.11
Volkswagan Passat	Saloon	08.96-11.00
Volkswagan Passat	Estate	06.97-11.00

SR0640.06

**Dimension
(mm)**

156.3×74

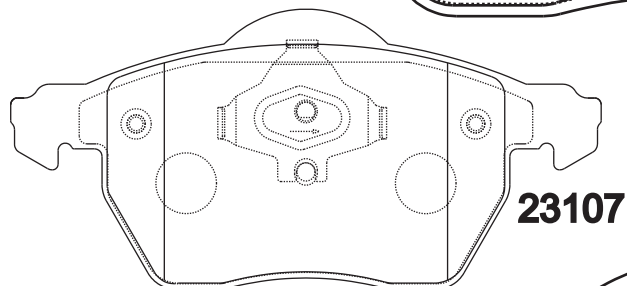
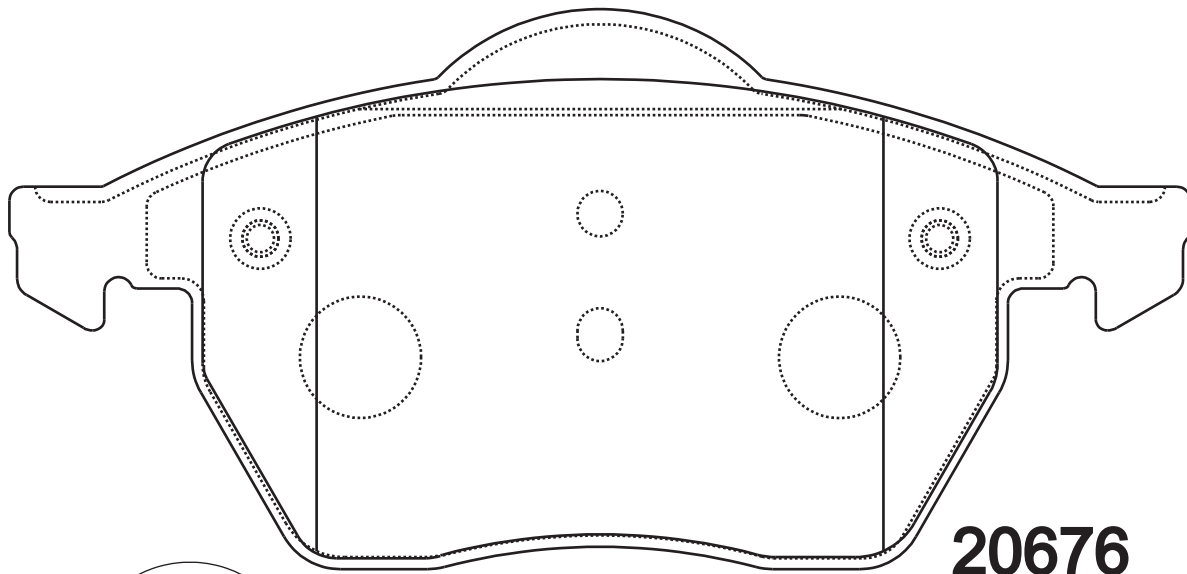
**Thickness
(mm)**

18.9

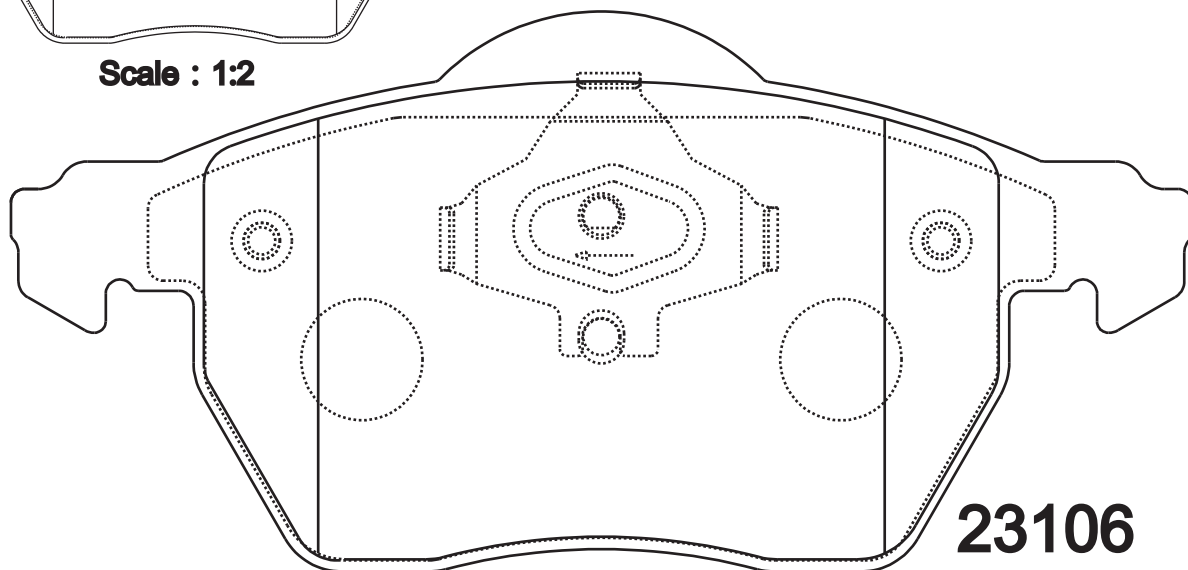


NOTE

2 identical ;2 identical with spring,1 with warn indicator:217mm.



Scale : 1:2



Apply for:

Volvo C70 I Convertible (873)
Volvo C70 I Coupe (872)

1998/03-2005/10
1997/03-2002/09

SR0640.07

**Dimension
(mm)**

156.3×74

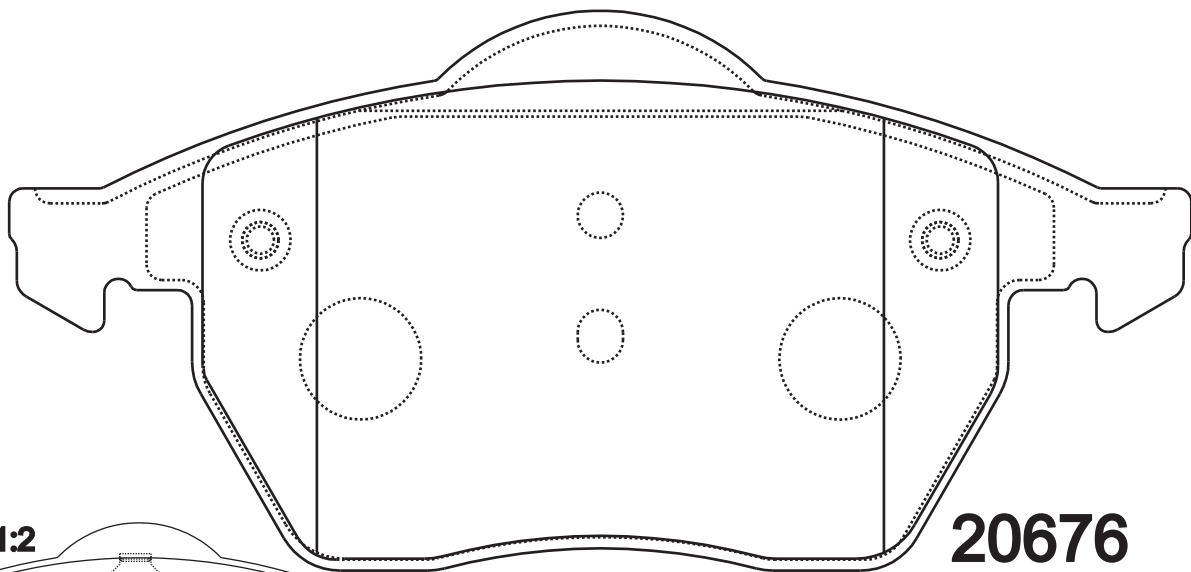
**Thickness
(mm)**

20.3



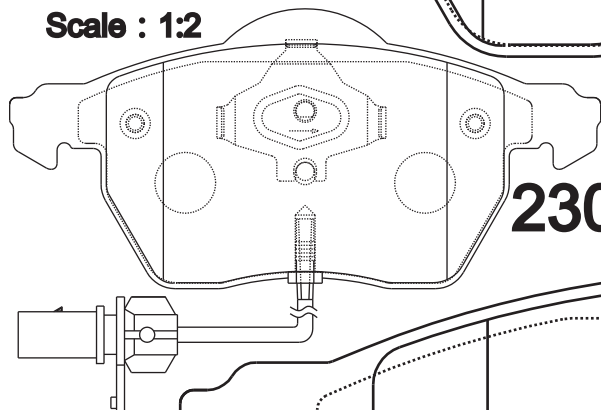
NOTE

2 identical ;2 identical
with spring,1 with warn
indicator:217mm.

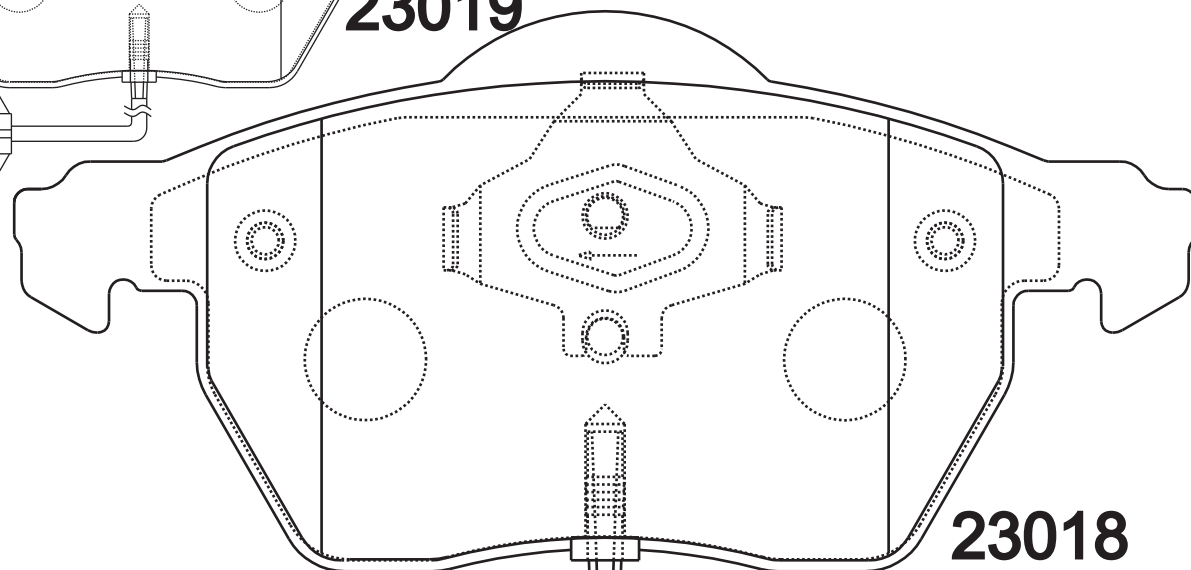


20676

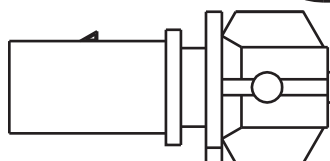
Scale : 1:2



23019



23018



X0014A 总长217mm

Apply for:

- Audi A4 2000-2006
- Audi A6 2000-2004
- Audi A8 2008
- 西雅特 EXEO 2008-
- 斯柯达 速派四门轿车 2001-2008
- 大众帕萨特 2000-2005

SR0640

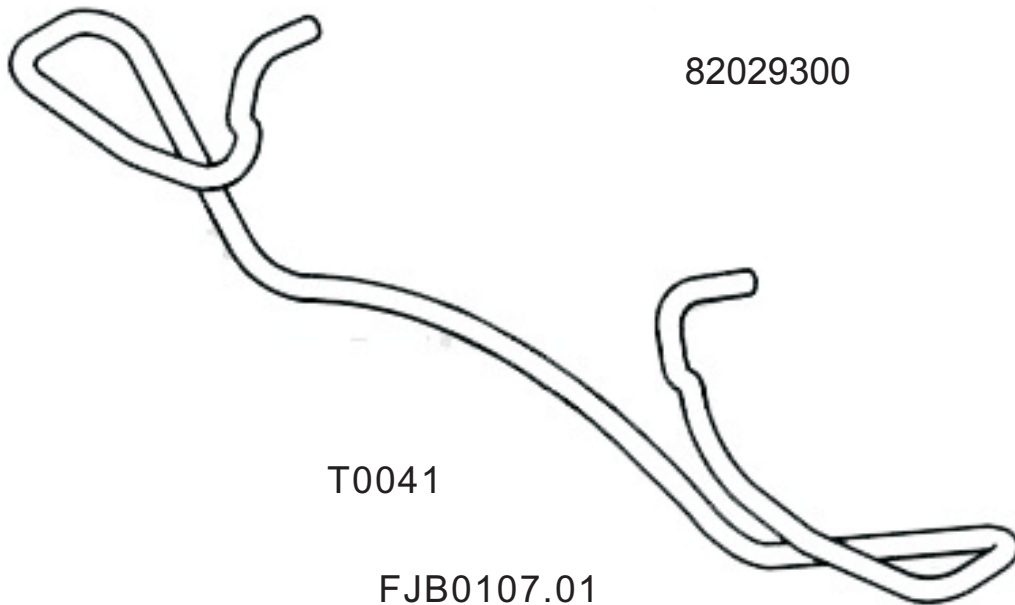
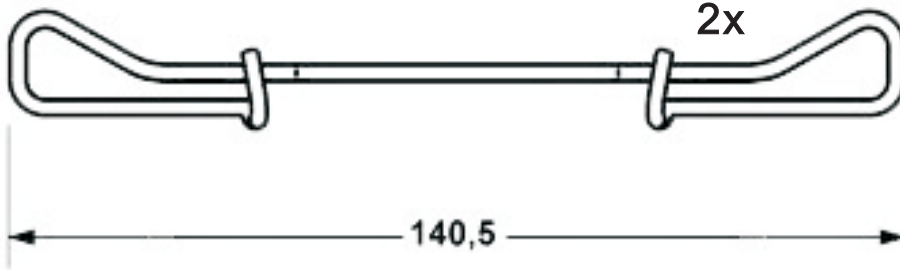
**Dimension
(mm)**

**Thickness
(mm)**



NOTE

附件包
Accessory bag



SR0641.01

**Dimension
(mm)**

**Thickness
(mm)**



NOTE

SR0642.01

**Dimension
(mm)**

154.8×69.7
156.4×76

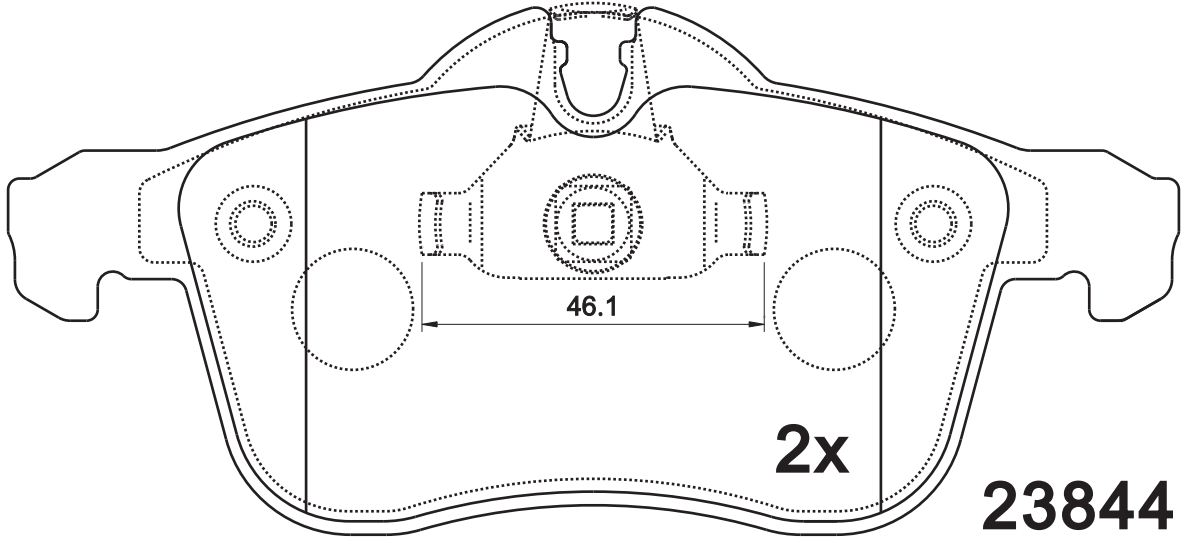
**Thickness
(mm)**

20.2

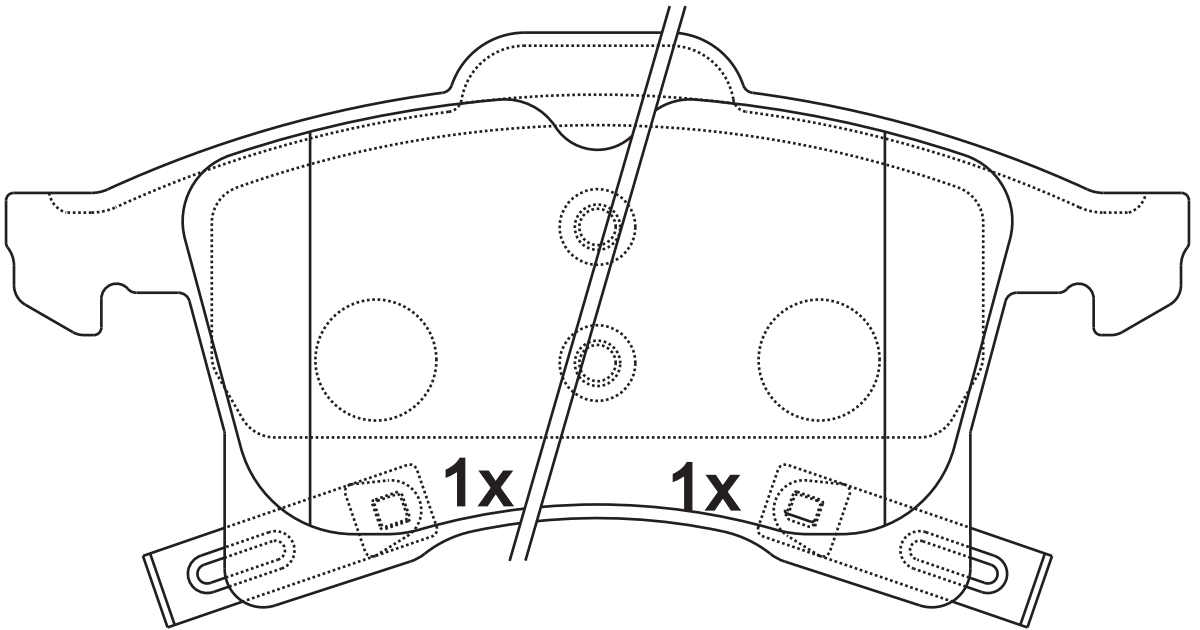


NOTE

2 identical with spring and warn indicator; 2 identical, 1 with acoustic indicator (left), 1 with acoustic indicator (right).



23844



23832

23833

Apply for:

Opel Astra H	Hatchback	03.04-
Opel Astra H	Convertible	09.05-
Opel Corsa D	Hatchback	02.07-
Opel Corsa E	Hatchback	09.14-
Opel Meriva B	MPA	06.10-

SR0642

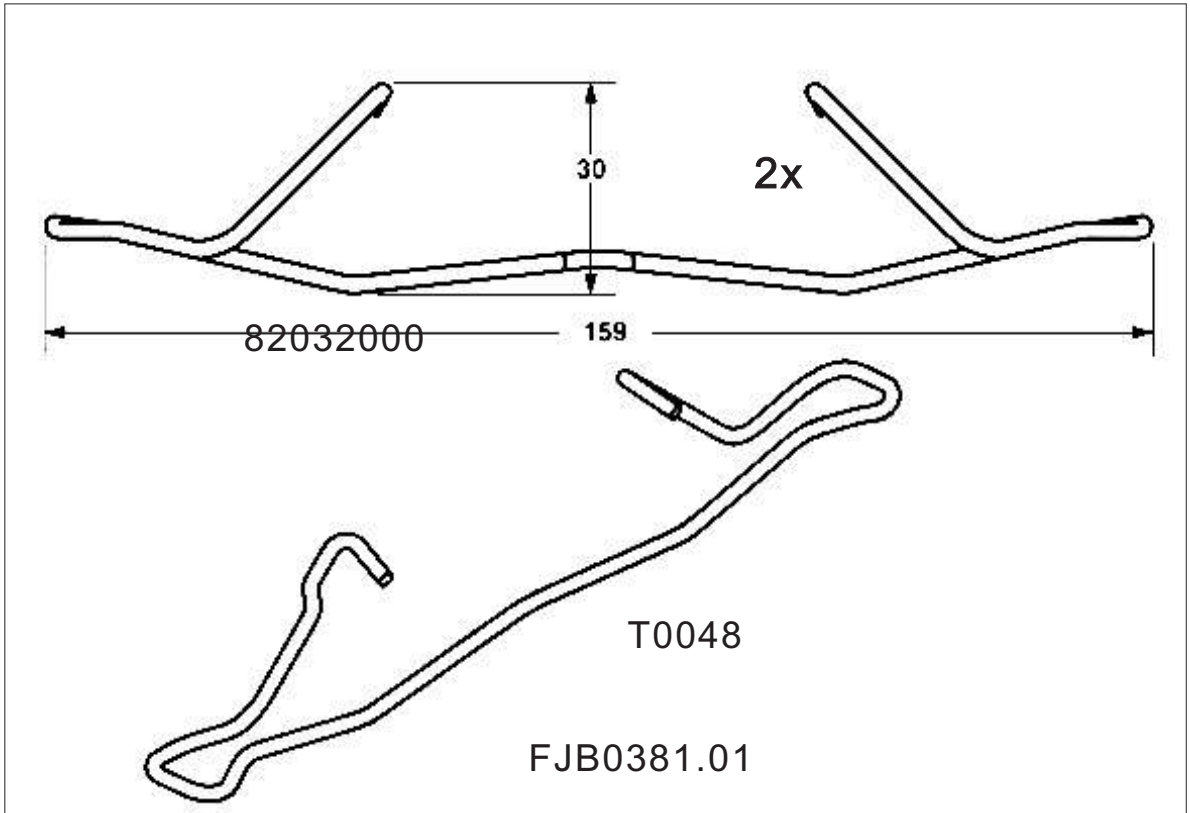
**Dimension
(mm)**

**Thickness
(mm)**



NOTE

**附件包
Accessory bag**



SR0643.01

**Dimension
(mm)**

125.5×51.4

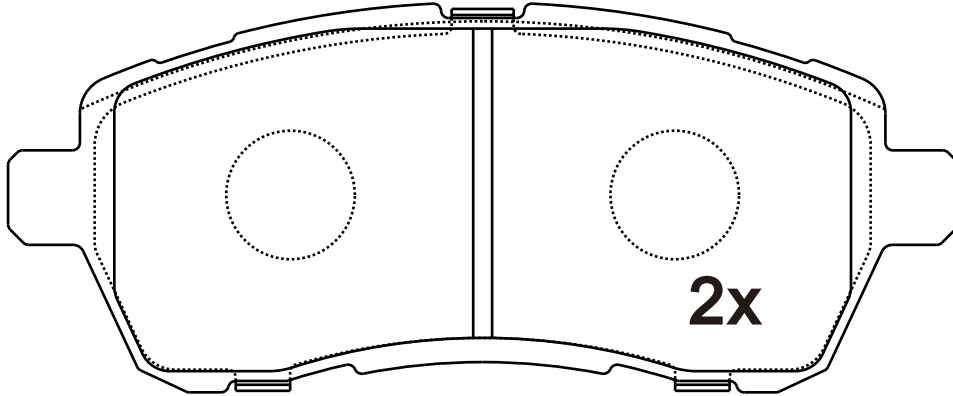
**Thickness
(mm)**

15.5

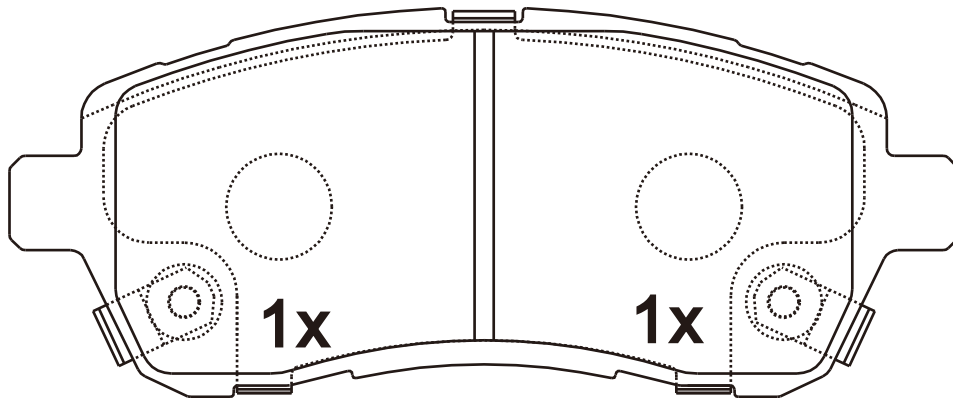


NOTE

4 identical, 1 with acoustic indicator(left), 1 with acoustic indicator(right).



24283



24285

24284

Apply for:

Ford Fiesta VI
Ford Fiesta VI Van
Mazda 2

Hatchback
Box
Hatchback

06.18-
01.09-
10.07-06.15

SR0643.02

**Dimension
(mm)**

125.5×51.4

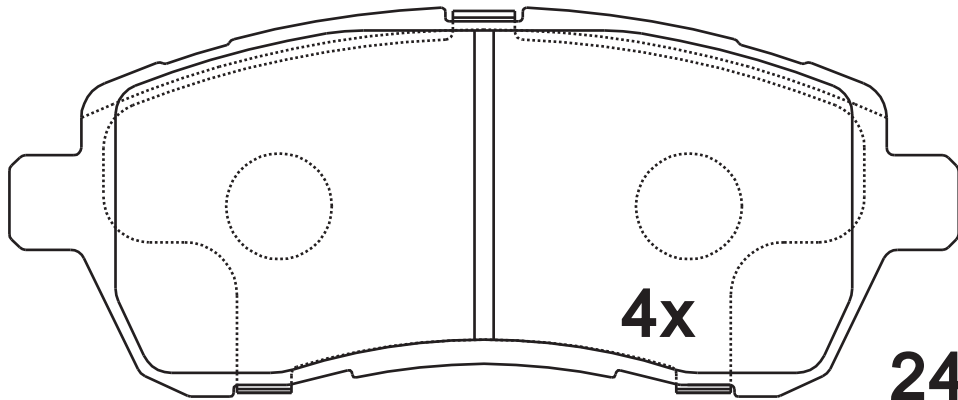
**Thickness
(mm)**

15.5



NOTE

4 identical, 1 with acoustic indicator(left), 1 with acoustic indicator(right).



24283

Apply for:

Ford Fiesta VI
Ford Fiesta VI Van
Mazda 2

Hatchback
Box
Hatchback

06.18-
01.09-
10.07-06.15

SR0643.03

**Dimension
(mm)**

**Thickness
(mm)**



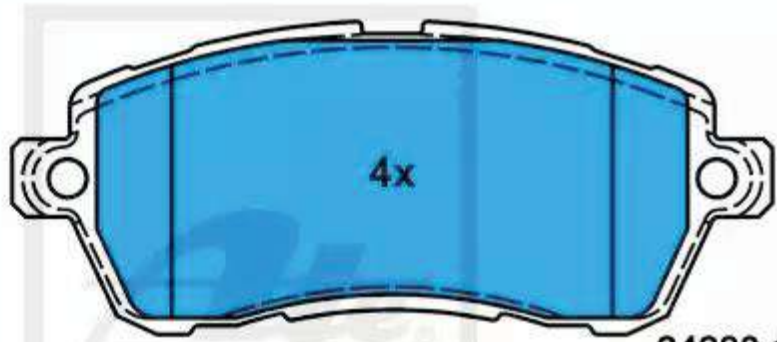
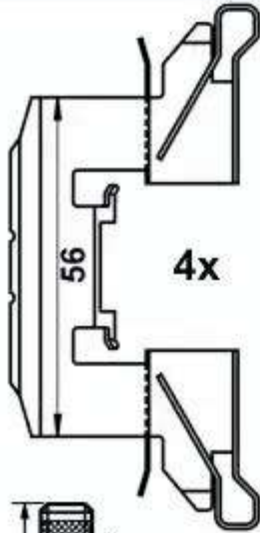
NOTE

4 identical ;

125.5×51.4

17.3

13.0460-2605.2 602605



125,6 x 51,6

24283 17,3

4x

24283

Apply for:

福特	FIESTA VI (CB1, CCN)	1.0	2012-
福特	FIESTA VI (CB1, CCN)	1.25	2008-
福特	FIESTA VI (CB1, CCN)	1.4 LPG	2009-

SR0643.04

**Dimension
(mm)**

**Thickness
(mm)**

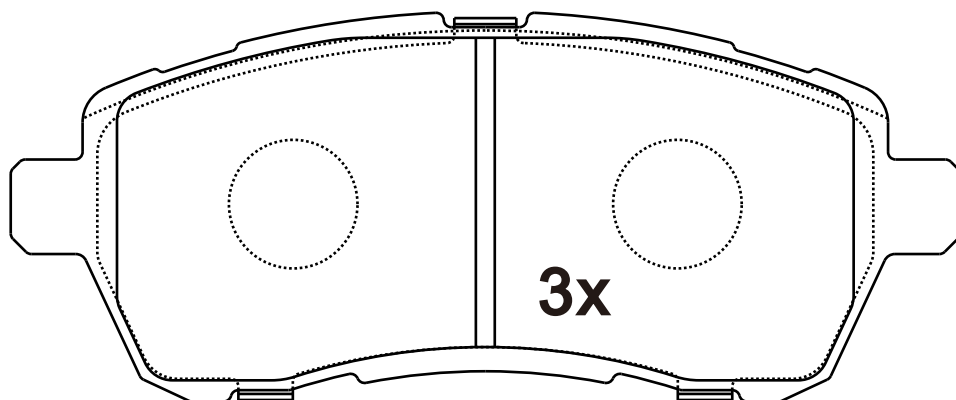


NOTE

3 identical;1 identical;

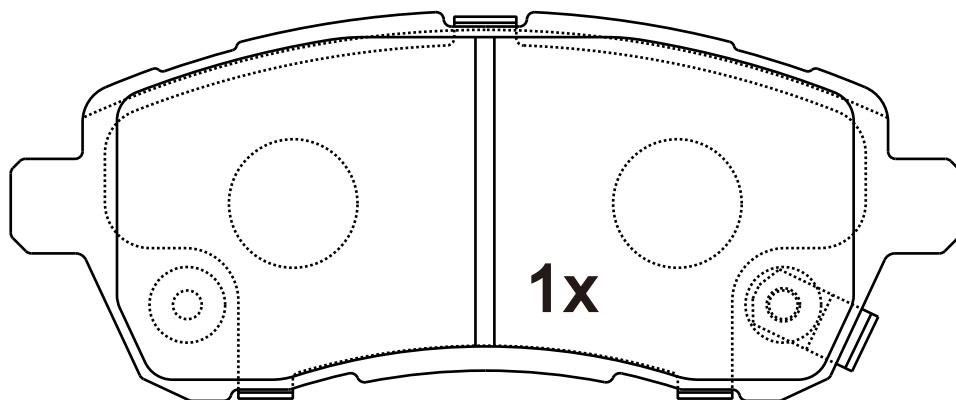
125.5×51.4

15.5



3x

24283



1x

24284

Apply for:

Daihatsu Coo (M411S)
Ford Fiesta Vi Van
Mazda (Changan) 2
Subaru Justy Iv

2006/10-
2009/01-
2007/10-
2007/01-

SR0643.05

**Dimension
(mm)**

125.5×51.4

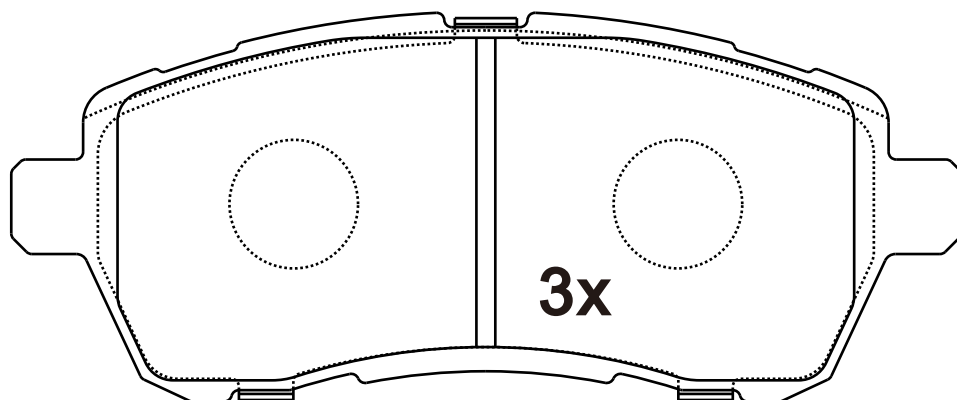
**Thickness
(mm)**

17.1/17.5



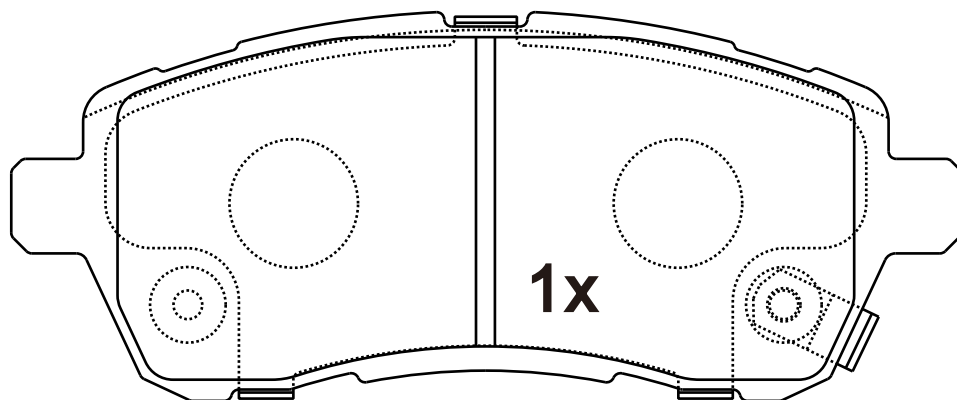
NOTE

3 identical;1 identical;



3x

24283



1x

24284

Apply for:

Daihatsu Coo (M411S)

Ford Fiesta Vi Van

Mazda (Changan) 2


Subaru Justy Iv

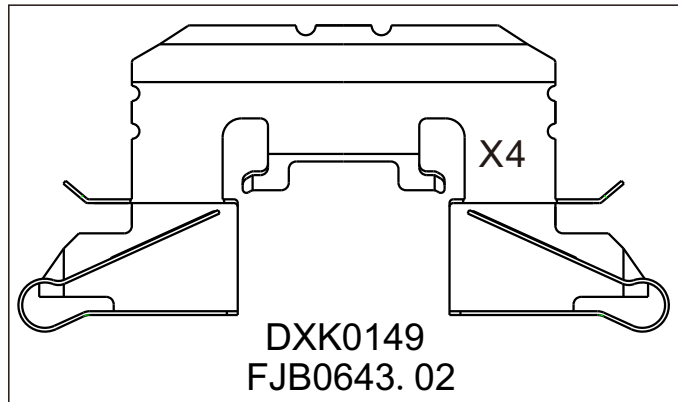
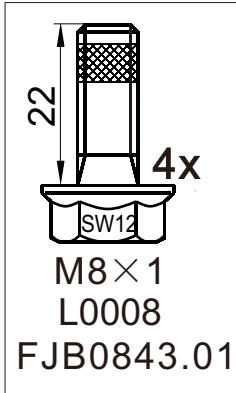
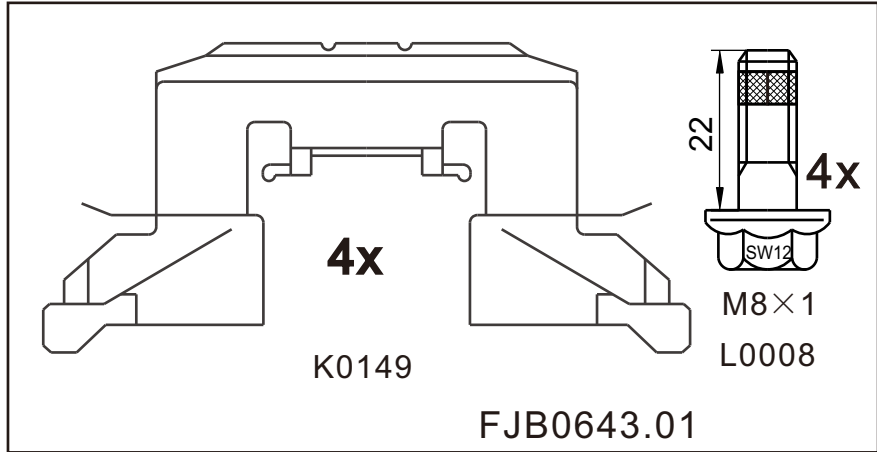
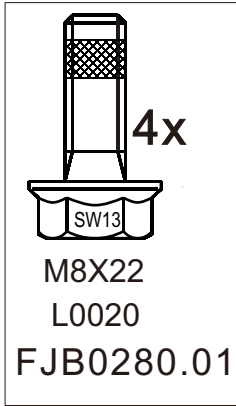
2006/10-

2009/01-

2007/10-

2007/01-

SR0643	Dimension (mm)	Thickness (mm)		NOTE



Apply for:

Ford Fiesta VI
Ford Fiesta VI Van
Mazda 2

Hatchback
Box
Hatchback

06.18-
01.09-
10.07-06.15

SR0644.01

**Dimension
(mm)**

136.9×63.1

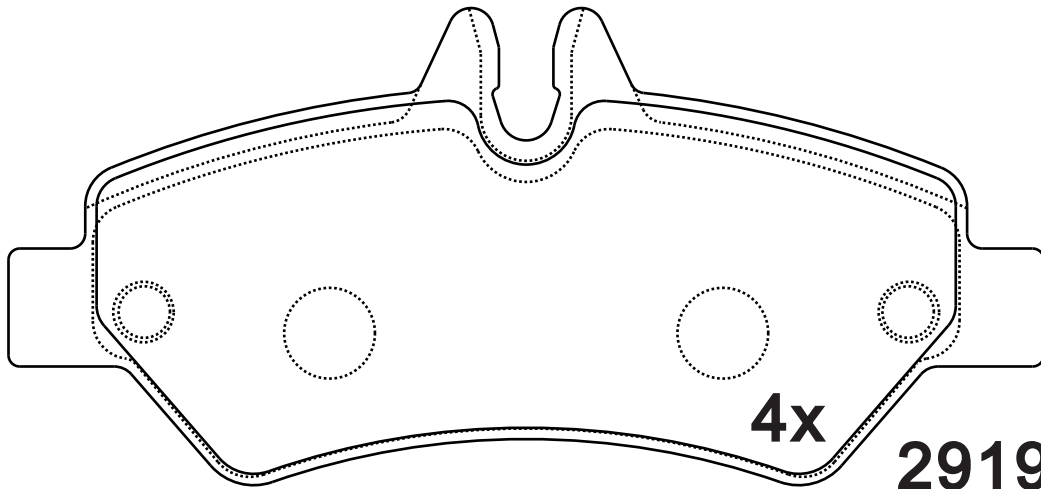
**Thickness
(mm)**

20.2

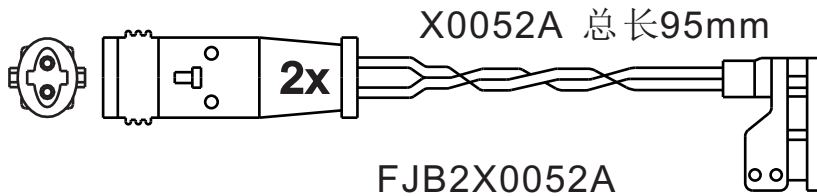


NOTE

4 identical;



29190



Apply for:

Mercedes Sprinter 3-t	Bus	06.06-
Mercedes Sprinter 3-t	Box	06.06-
Mercedes Sprinter 3-t	Platform	06.06-
Mercedes Sprinter 3,5-t	Bus	06.06-
Mercedes Sprinter 3,5-t	Box	06.06-
Mercedes Sprinter 3,5-t	Platform	06.06-

SR0644.02

**Dimension
(mm)**

136.9×63.1

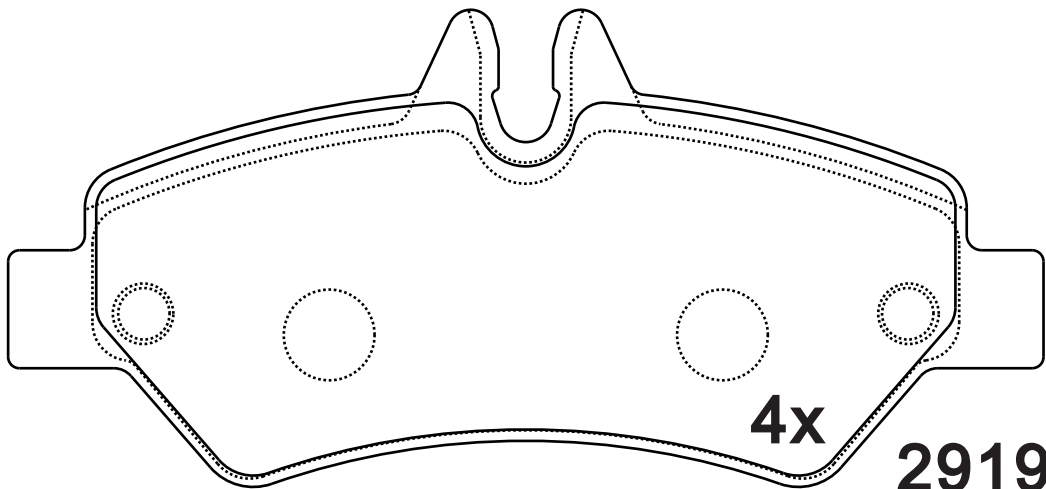
**Thickness
(mm)**

20.2



NOTE

4 identical;



4x

29190

Apply for:

Mercedes Sprinter 3-t	Bus	06.06-
Mercedes Sprinter 3-t	Box	06.06-
Mercedes Sprinter 3-t	Platform	06.06-
Mercedes Sprinter 3,5-t	Bus	06.06-
Mercedes Sprinter 3,5-t	Box	06.06-
Mercedes Sprinter 3,5-t	Platform	06.06-

SR0644

**Dimension
(mm)**

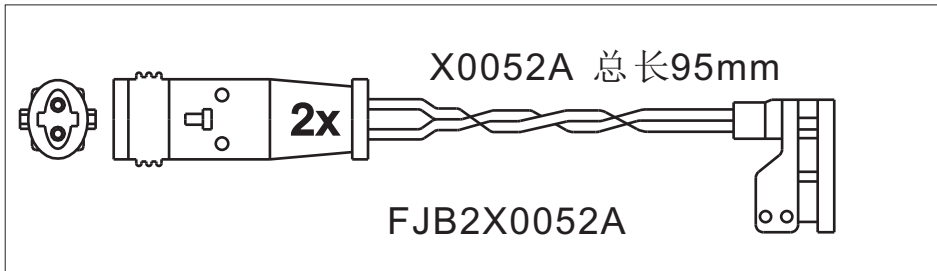
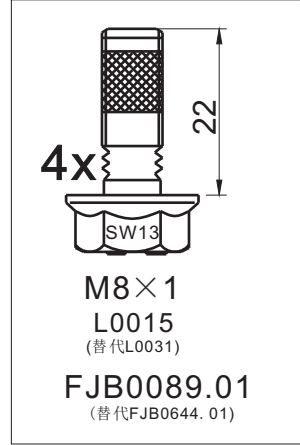
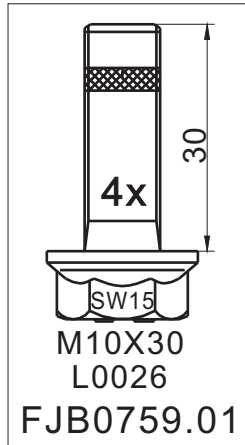
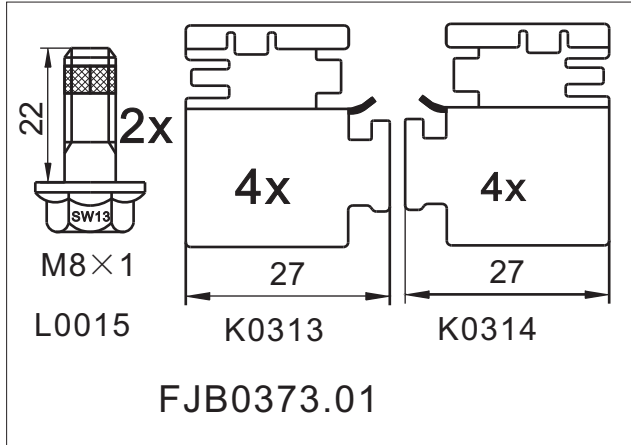
**Thickness
(mm)**



NOTE

附件包

Accessory bag



SR0645.01

**Dimension
(mm)**

131.6×58.4

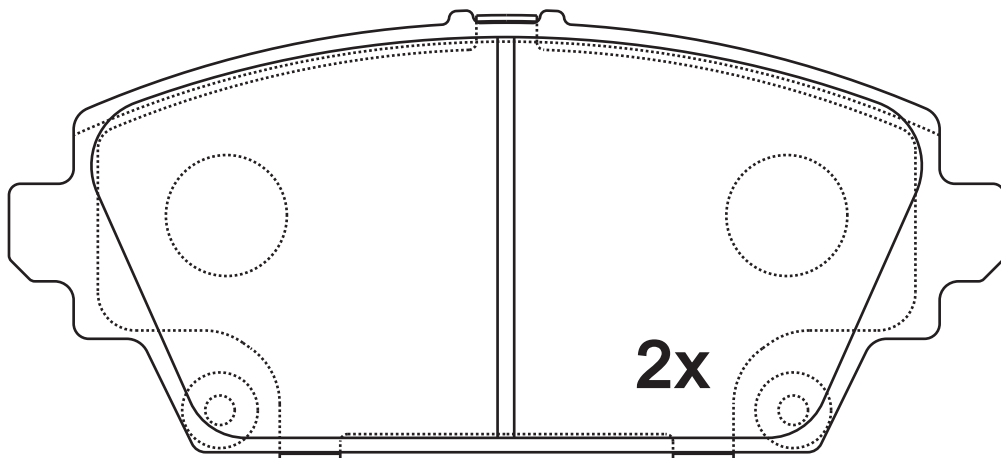
**Thickness
(mm)**

16.5

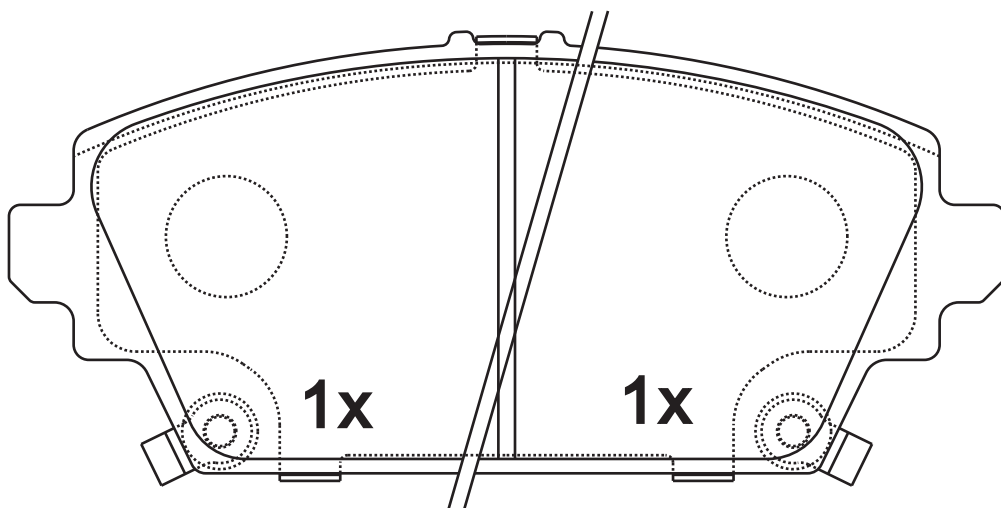


NOTE

4 identical, 1 with acoustic indicator(left), 1 with acoustic indicator(right).



23094



23563

23564

Apply for:

Honda Accord VI

Saloon

10.98-06.03

SR0645.02

**Dimension
(mm)**

131.6×58.4

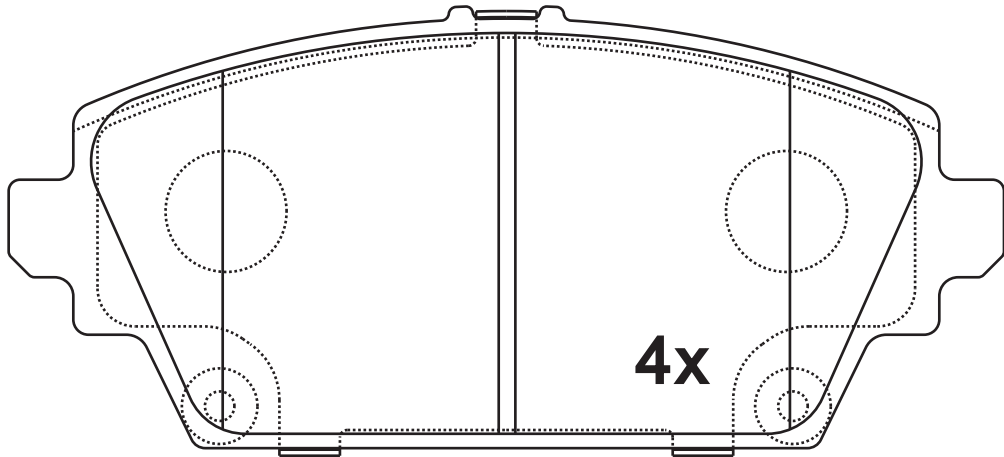
**Thickness
(mm)**

16.5



NOTE

4 identical;



23094
23095

Apply for:

Nissan Almera Ii Hatchback (N16)
Nissan Almera Tino (V10)

2000/01-
1998/12-2006/02

SR0645

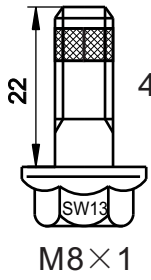
**Dimension
(mm)**

**Thickness
(mm)**

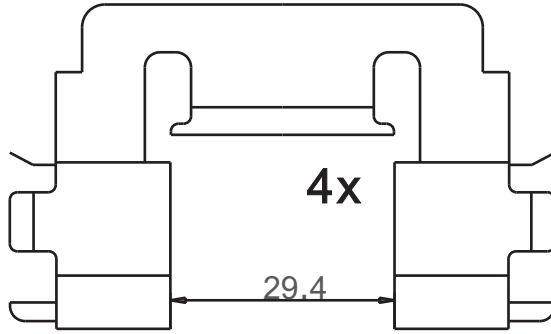


NOTE

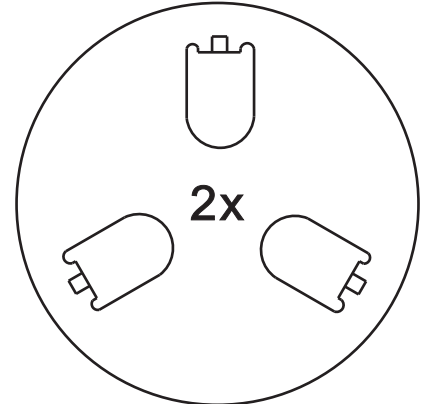
**附件包
Accessory bag**



L0015



K0184



K0185

FJB0645.01

SR0646.01

**Dimension
(mm)**

**Thickness
(mm)**

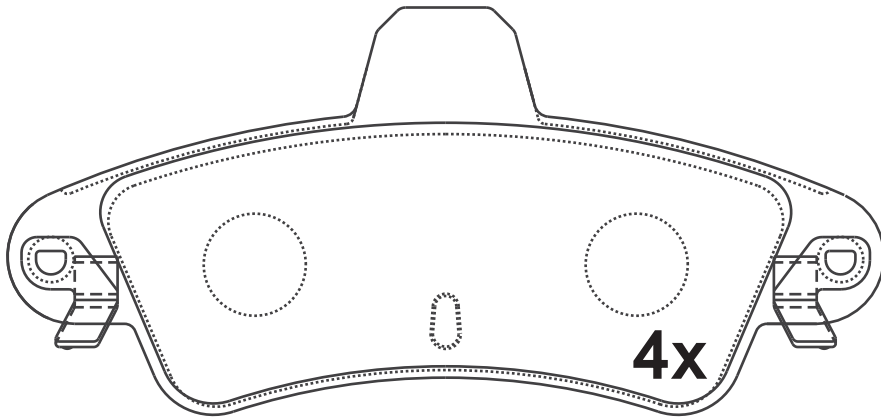


NOTE

4 identical ;

115.7×53.6

15




21586

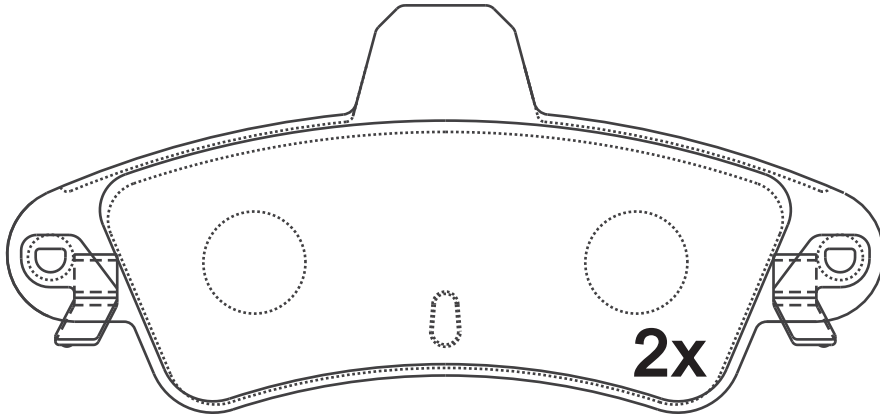
Apply for:

Ford Contour	Coupe	08.98-12.01
Ford Mondeo	Estate	01.93-08.96
Ford Mondeo MK II	Estate	09.96-11.00
Ford Mondeo MK II	Saloon	09.96-11.00
Ford Mondeo	Saloon	02.93-08.96

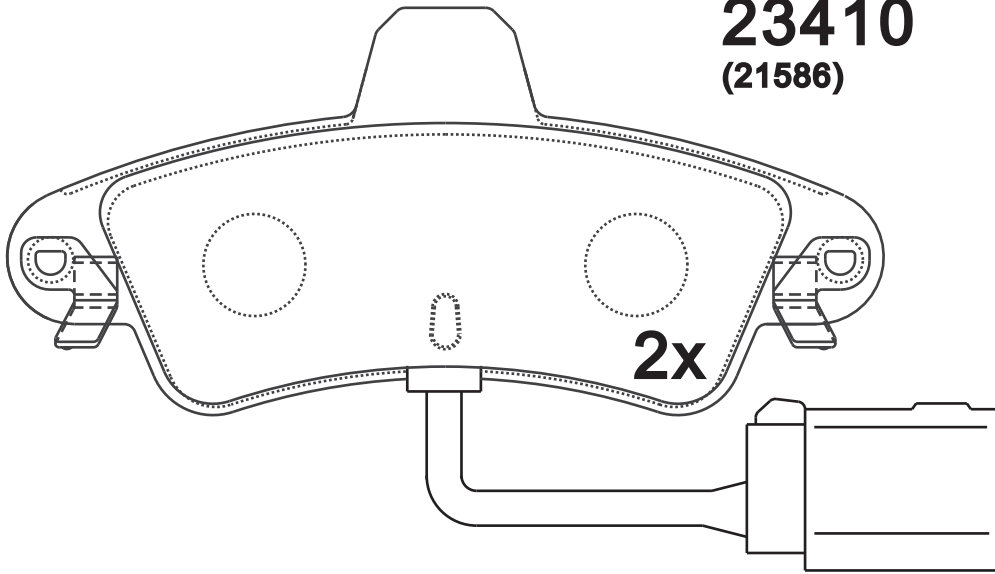
SR0646.02

Dimension (mm)	Thickness (mm)	
115.7×53.6	15	

NOTE
4 identical ; ,1 with warn indicator.



23410
(21586)



23411

Apply for:

Mercury Cougar

2001-2002

SR0646.03

**Dimension
(mm)**

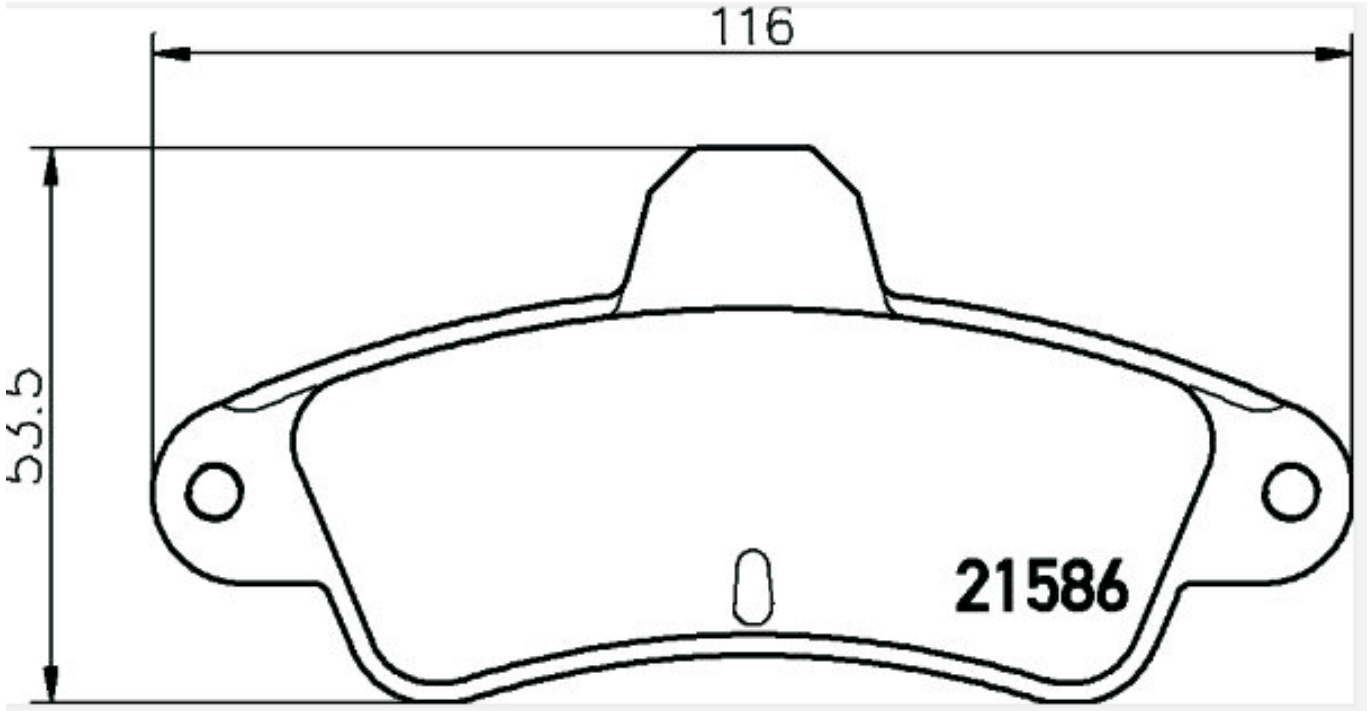
**Thickness
(mm)**



NOTE

116×53.5

15



21586

Apply for:

Ford Cougar (Ec_)
Ford Mondeo I (Gbp)

1998/08-2001/12
1993/02-1996/08

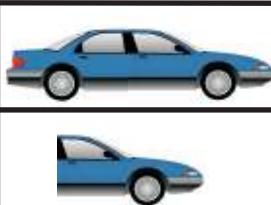
SR0647.01

**Dimension
(mm)**

168.7×64.4

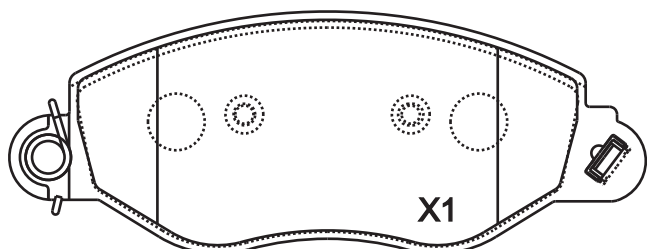
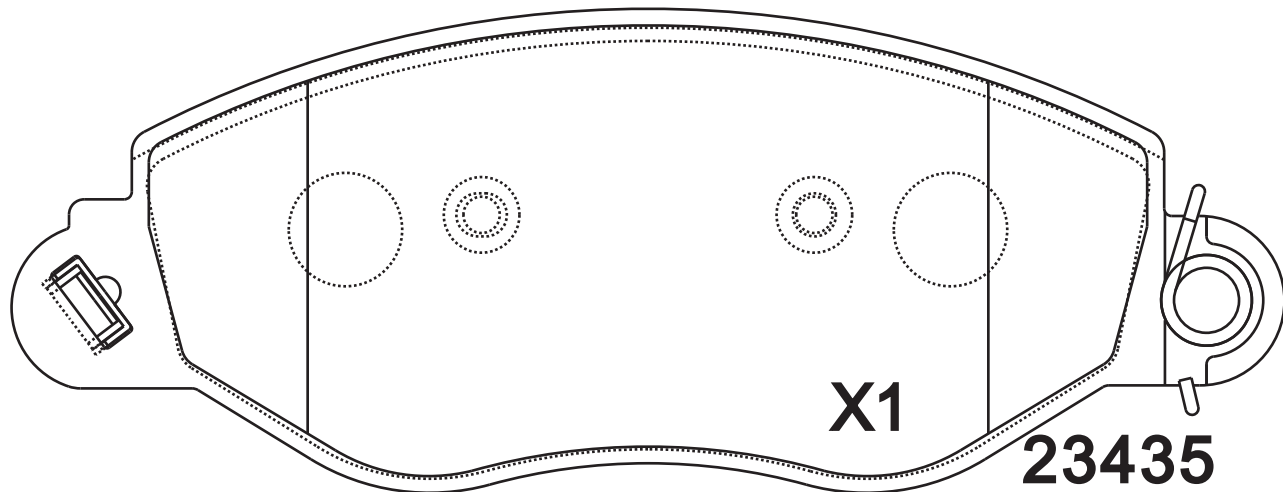
**Thickness
(mm)**

18.7



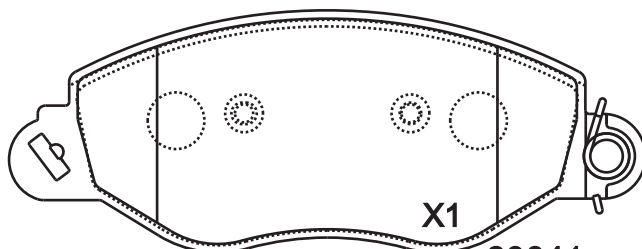
NOTE

2 identical;2 identical;



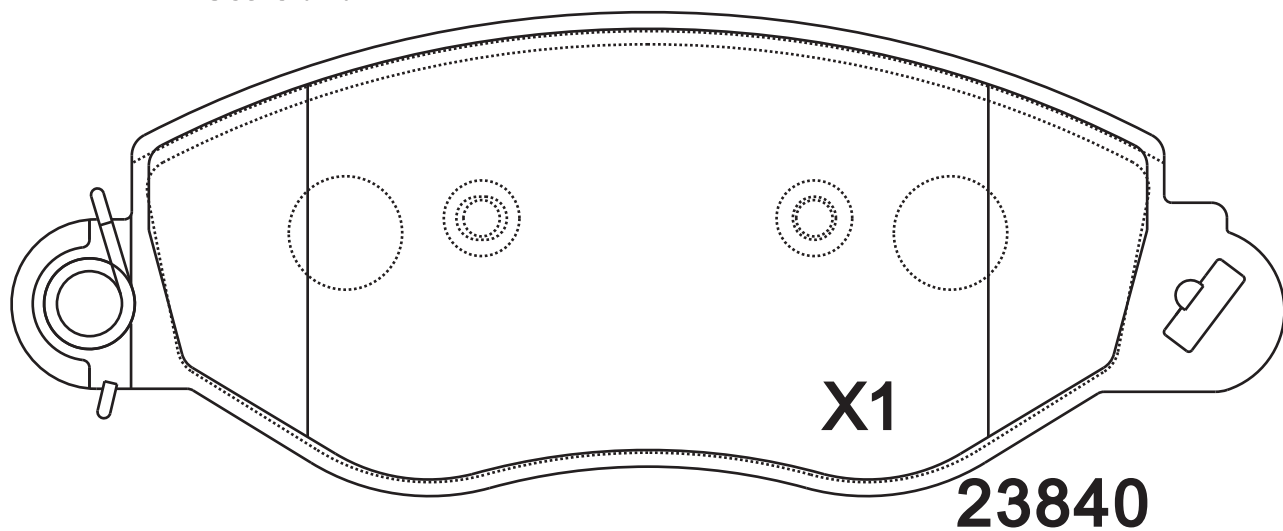
23434

Scale : 1:2



Scale : 1:2

23841



Apply for:

Ford Transit
Ford Transit
Ford Transit

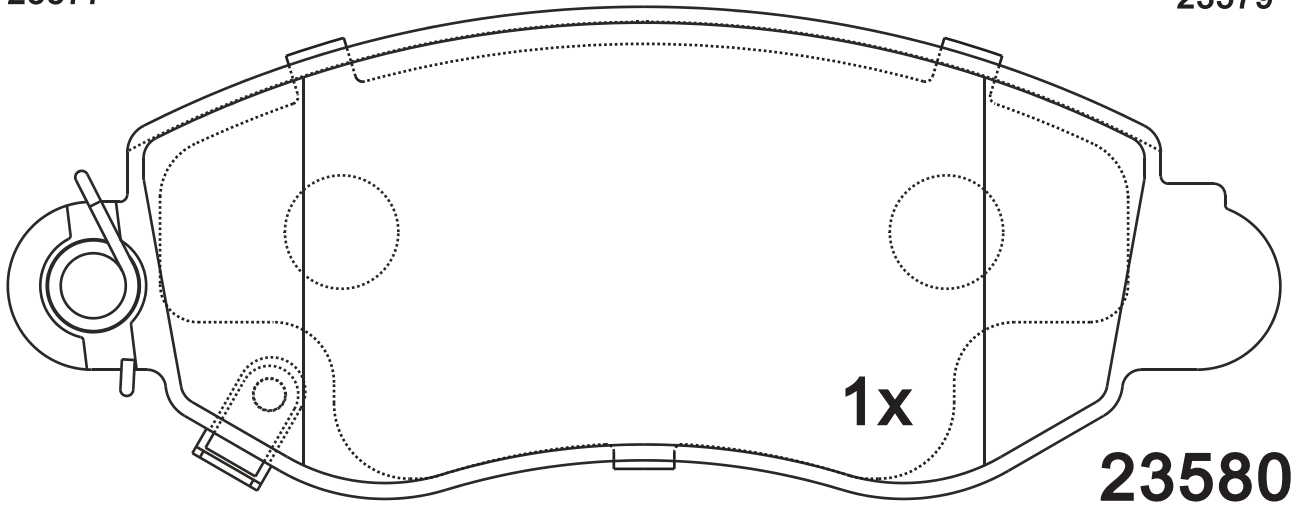
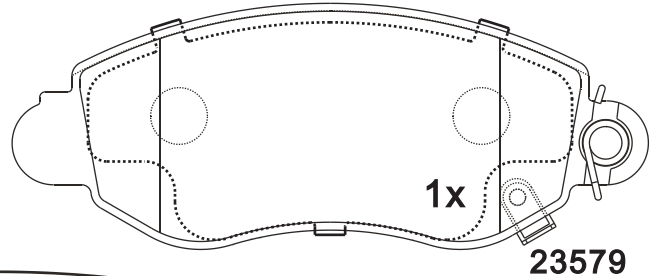
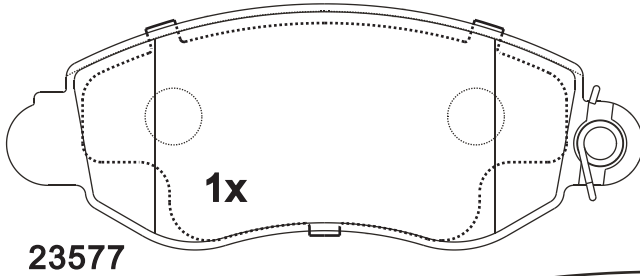
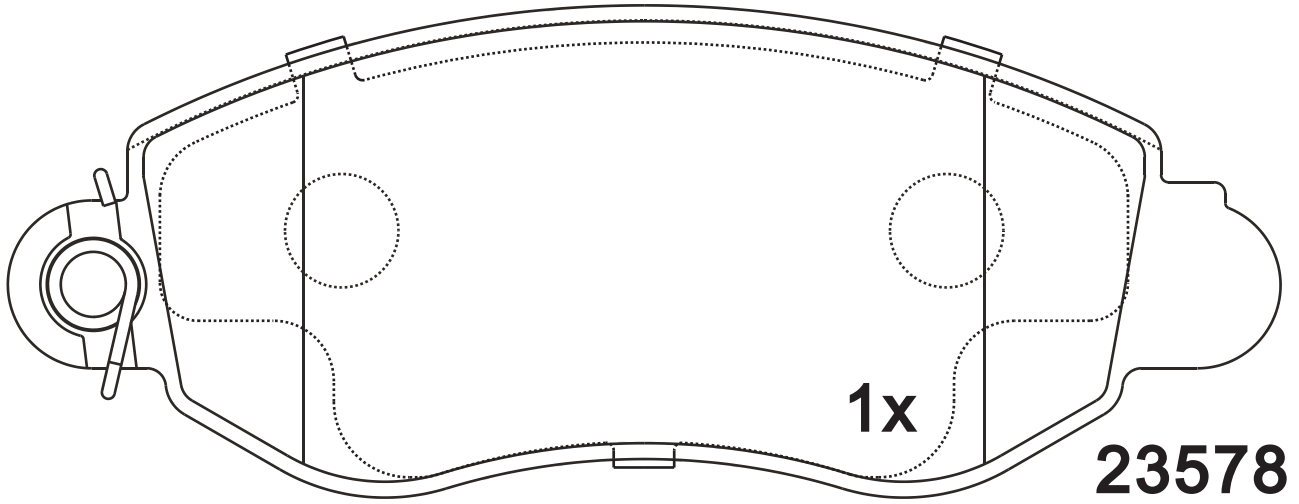
Bus
Box
Platform

08.00-05.06
08.00-05.06
08.00-05.06

SR0647.02

Dimension (mm)	Thickness (mm)	
168.3×65.1	18.7	

NOTE
4 identical, 1 with acoustic indicator (left), 1 with acoustic indicator (right).



Apply for:

- Ford transit bus 2000/01-2006/05
- Ford transit trucks 2000/01-2006/05
- Ford transit box car 2000/01-2006/05

SR0647.03

**Dimension
(mm)**

168.3×63.9

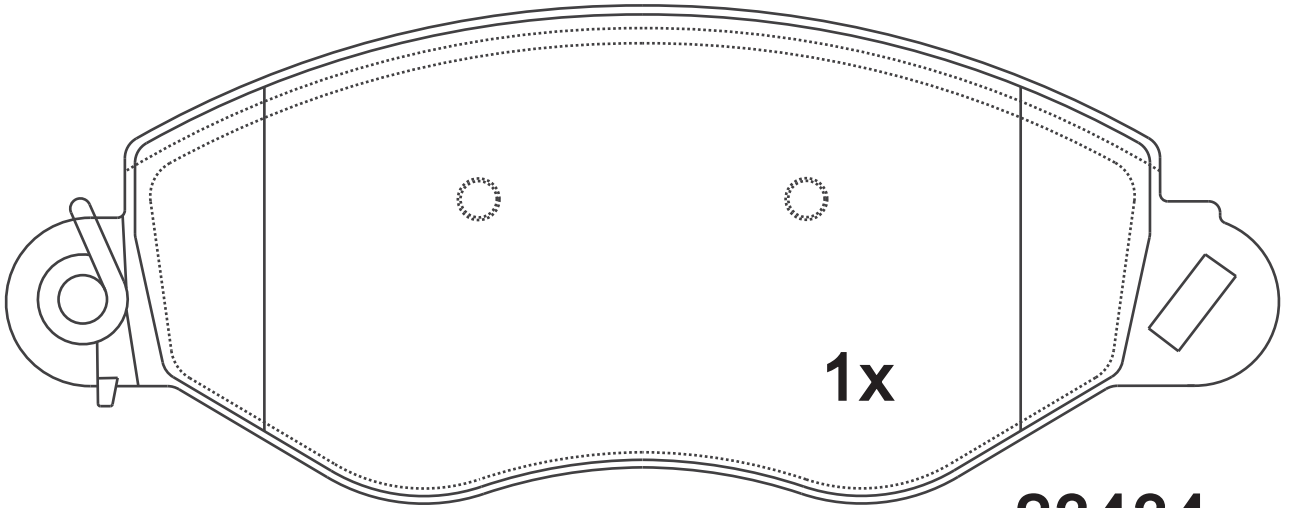
**Thickness
(mm)**

18.0

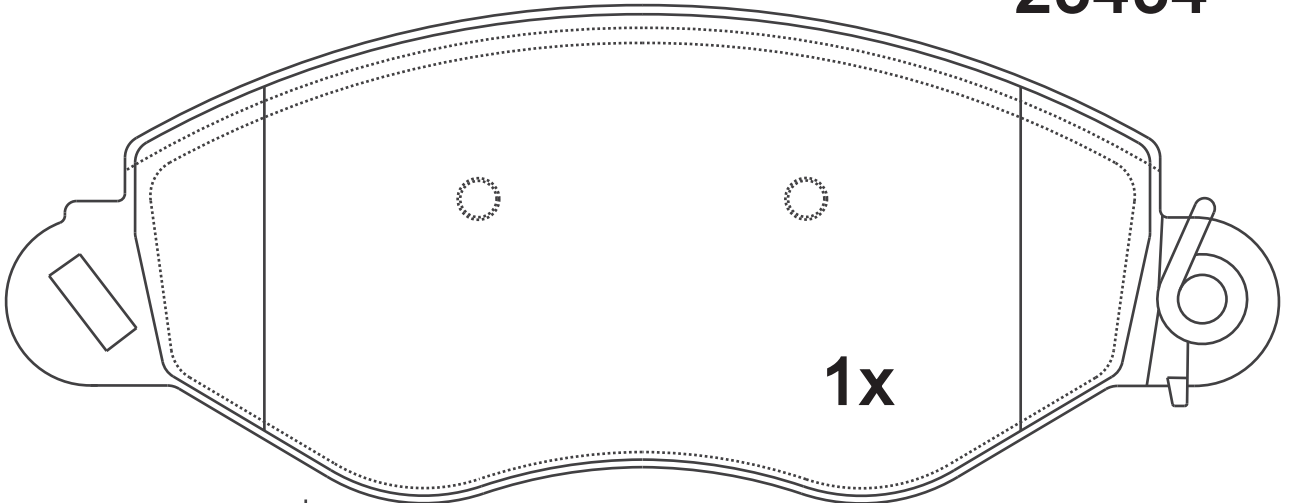


NOTE

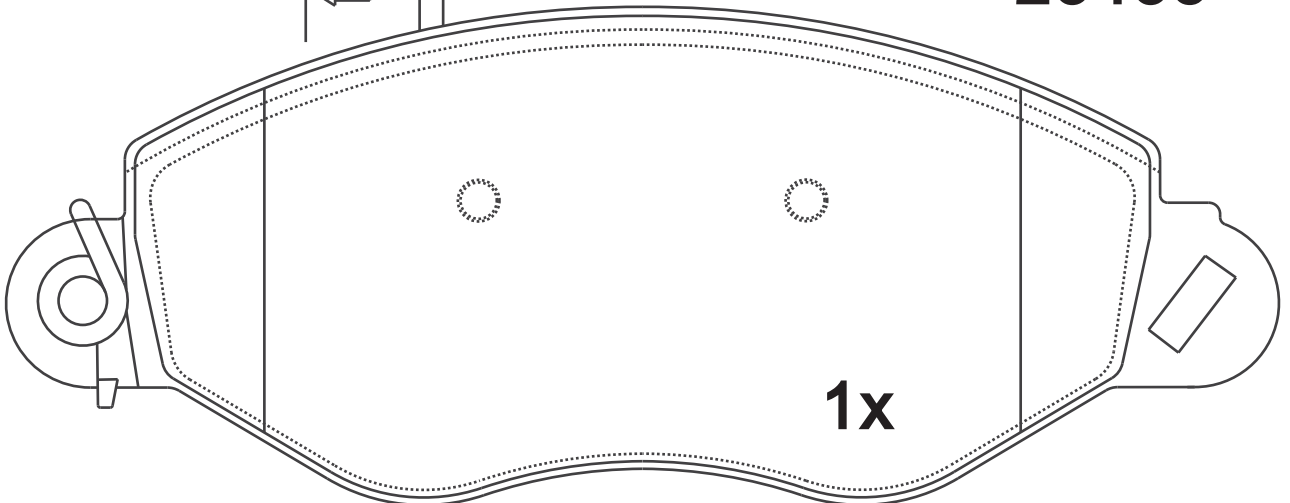
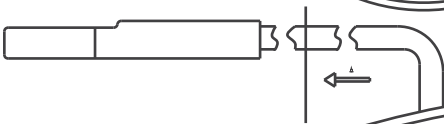
2 identical, 1 with acoustic indicator (left); 2 identical, 1 with acoustic indicator (right).



23434



23435



23436

Next Page... ..

SR0647.03

**Dimension
(mm)**

168.3×63.9

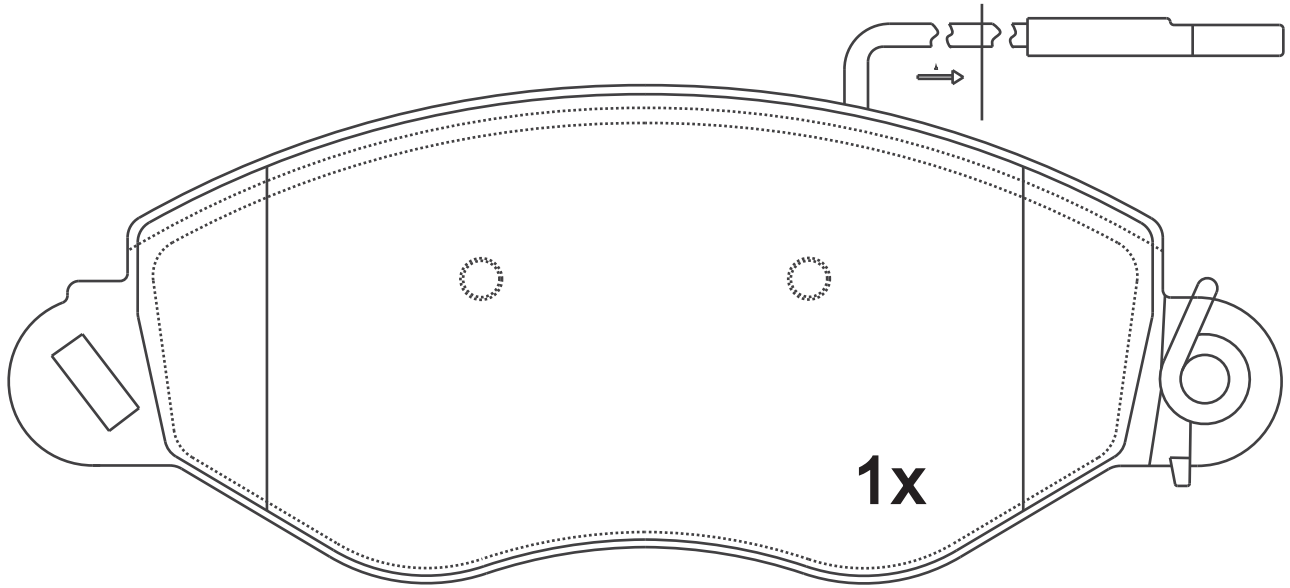
**Thickness
(mm)**

18.0



NOTE

2 identical, 1 with acoustic indicator (left); 2 identical, 1 with acoustic indicator (right).



23437

Apply for:

Nissan Cabstar E

1998/10-2006/10

SR0647.04

**Dimension
(mm)**

168.3×65.1

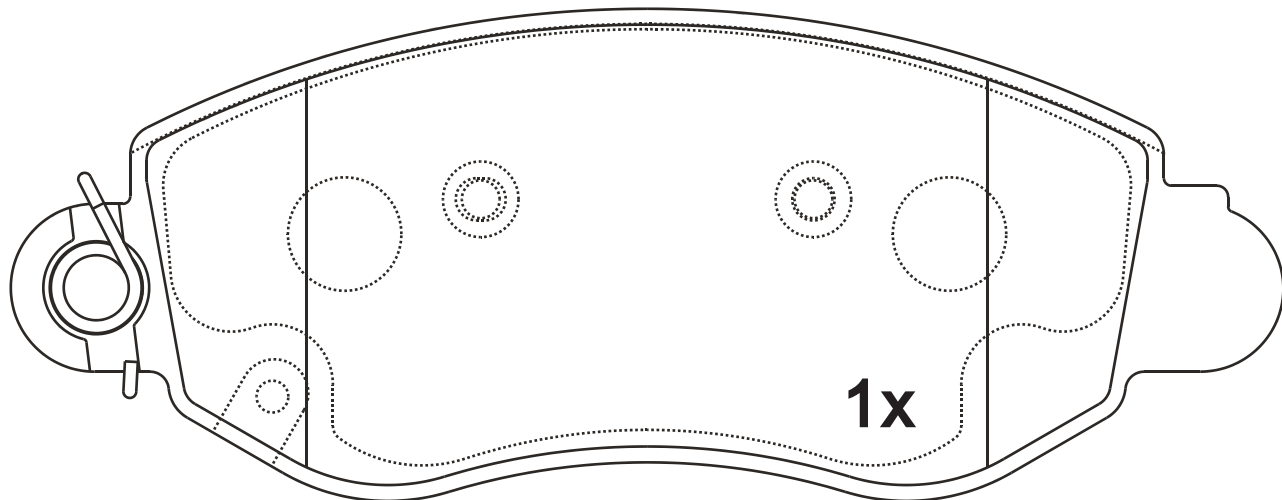
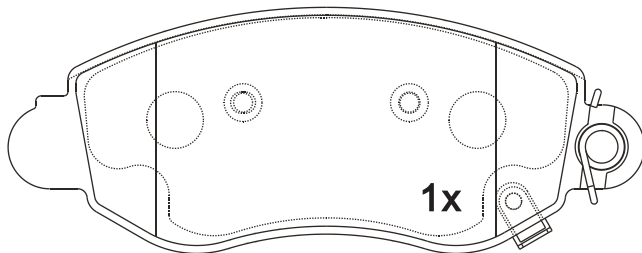
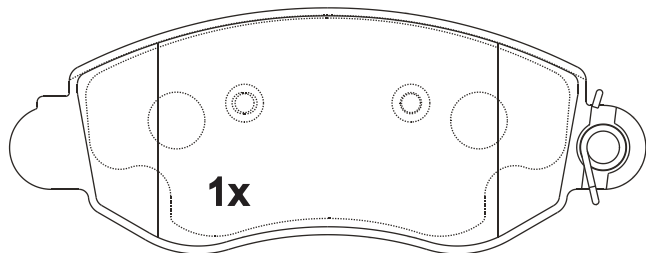
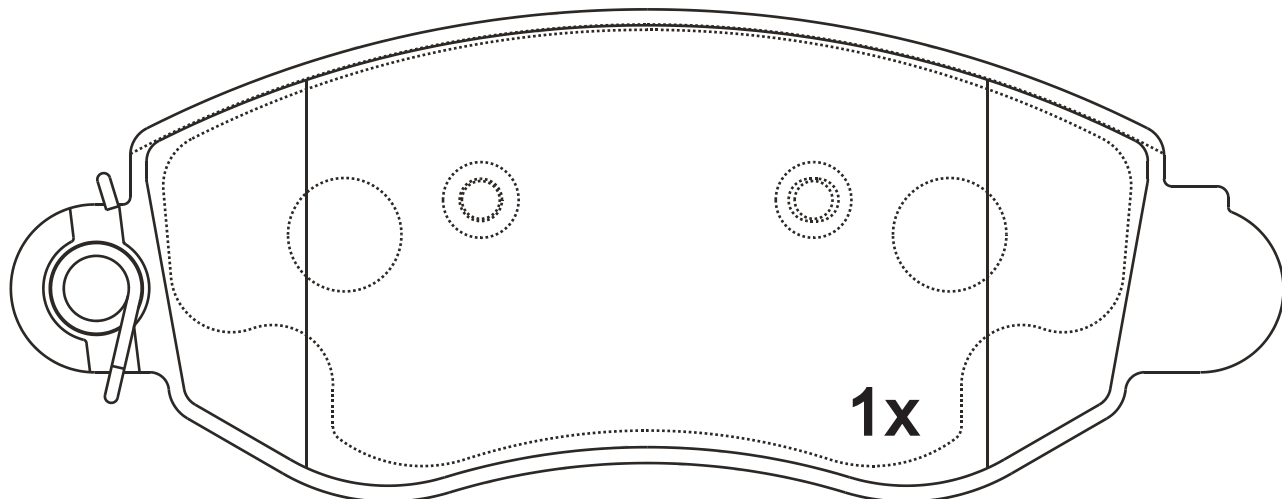
**Thickness
(mm)**

18.7



NOTE

2 identical; 2 identical, 1 with acoustic indicator (left)



23577

Apply for:

Ford transit bus
Ford transit trucks
Ford transit box car

2000/01-2006/05
2000/01-2006/05
2000/01-2006/05

SR0647

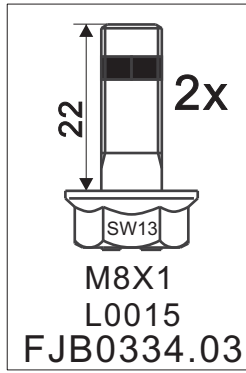
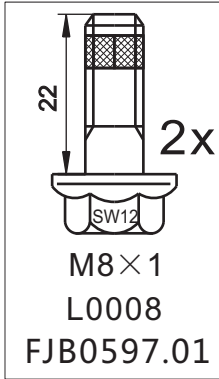
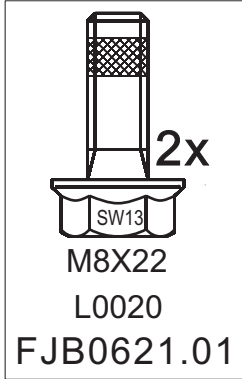
**Dimension
(mm)**

**Thickness
(mm)**



NOTE

**附件包
Accessory bag**



SR0648.01

**Dimension
(mm)**

159.4×64.6

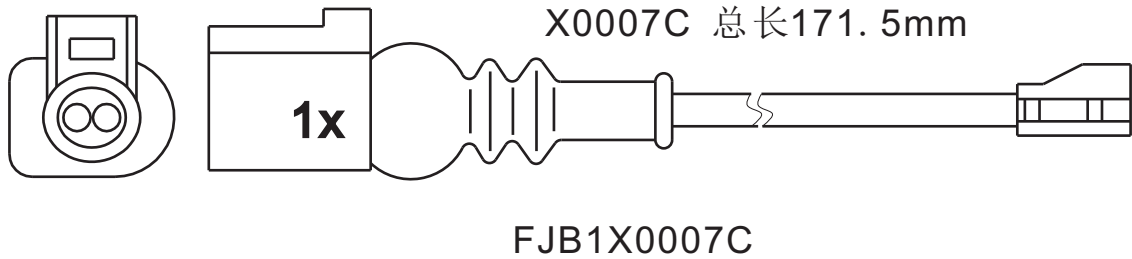
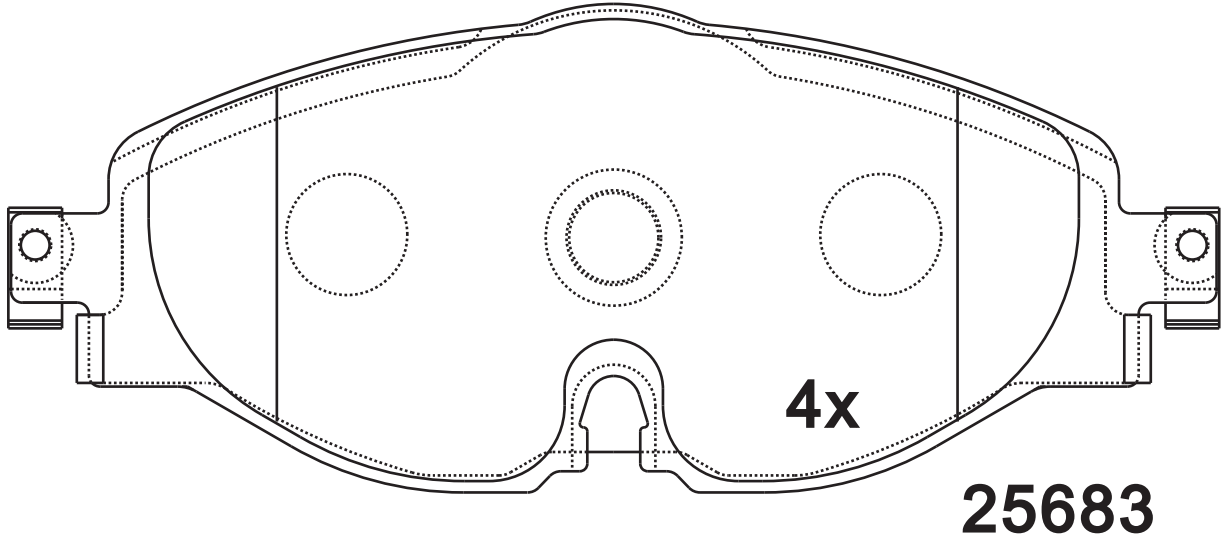
**Thickness
(mm)**

20.4



NOTE

4 identical ;



Apply for:

Audi A3	Hatchback	09.12-
Audi A3	Saloon	05.13-
Audi A3	Convertible	10.13-
Audi TT	Coupe	07.14-
Audi TT	Convertible	11.14-
Skoda Octavia	Estate	11.12-
Volkswagan Golf II	Hatchback	11.13-
Volkswagan Golf II	Estate	05.14-

SR0648.02

**Dimension
(mm)**

160×64.5

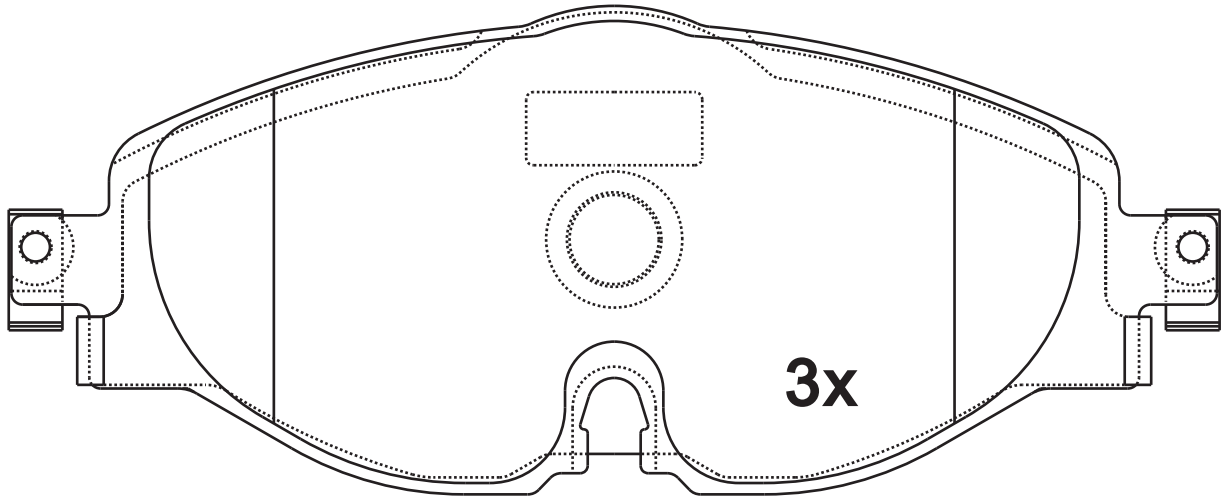
**Thickness
(mm)**

20.4



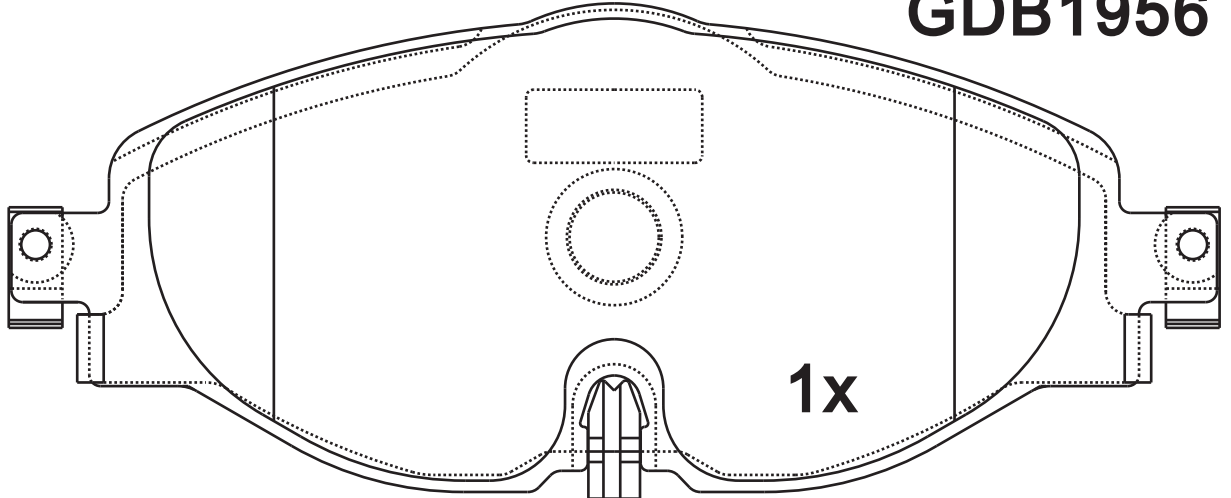
NOTE

**4 identical, 1 with warn
indicator.**

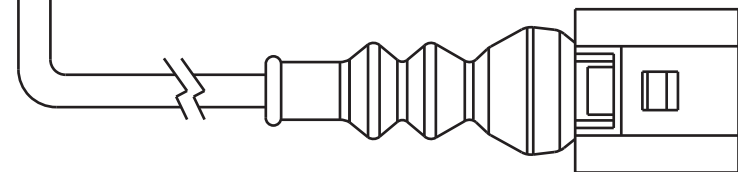


3x

GDB1956



1x



Apply for:

Audi A3	Hatchback	09.12-
Audi A3	Saloon	05.13-
Audi A3	Convertible	10.13-
Audi TT	Coupe	07.14-
Audi TT	Convertible	11.14-
Skoda Octavia	Estate	11.12-
Volkswagan Golf II	Hatchback	11.13-
Volkswagan Golf II	Estate	05.14-

SR0648

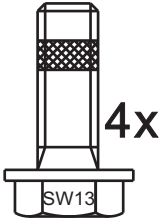
**Dimension
(mm)**

**Thickness
(mm)**



NOTE

附件包
Accessory bag



M8X22
L0035
FJB0729.01

SR0649.01

**Dimension
(mm)**

171.6×68.7

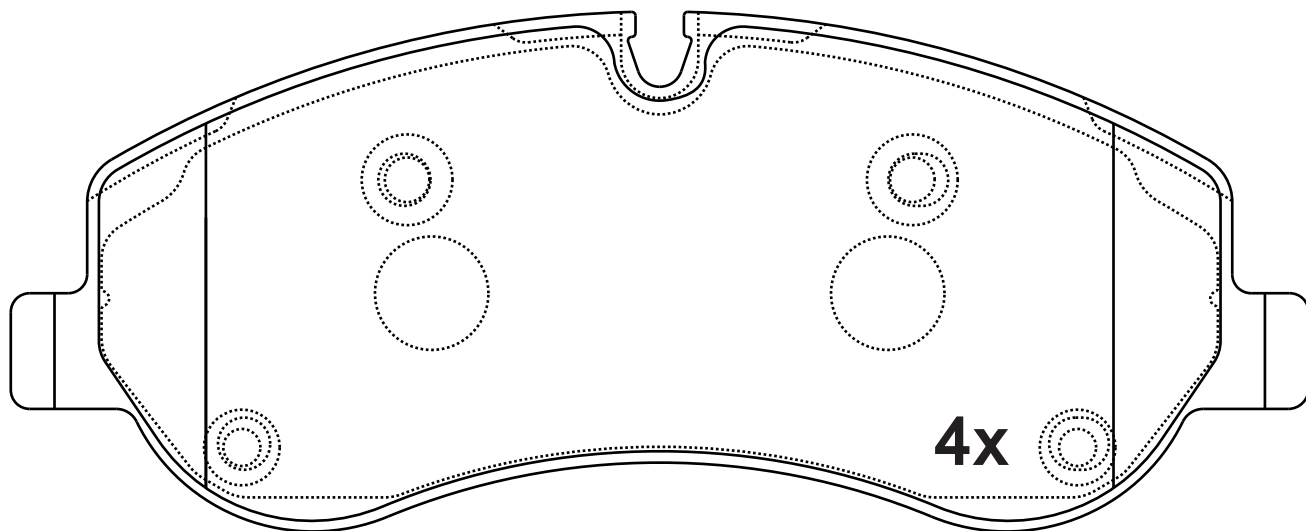
**Thickness
(mm)**

17

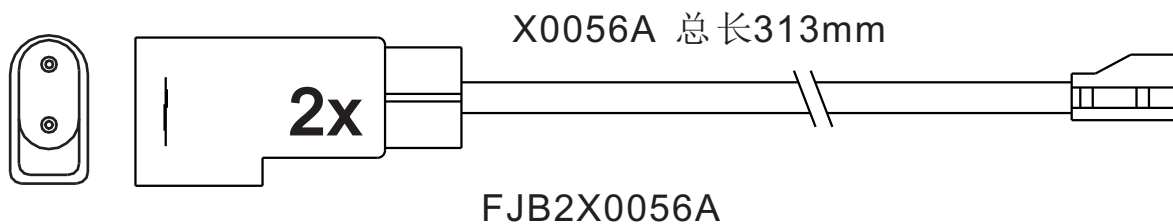


NOTE

4 identical ;



25602



Apply for:

Ford Tourneo Custom
Ford Transit
Ford Transit
Ford Transit Custom
Ford Transit Custom
Ford Transit

Bus 12.12-
Box 05.14-
Bus 05.14-
Box 12.12-
Bus 12.12-
Platform 05.14-

SR0649

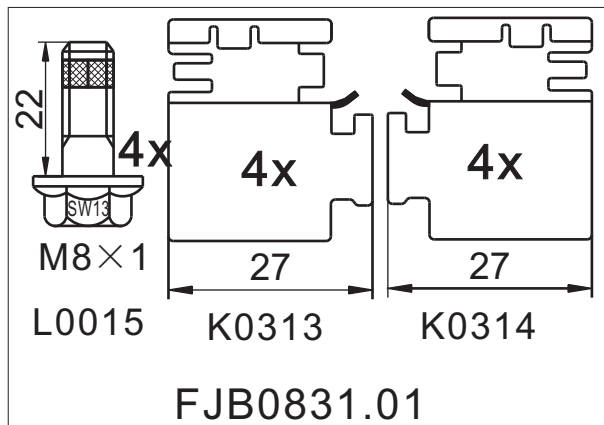
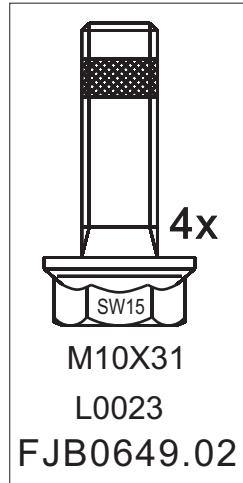
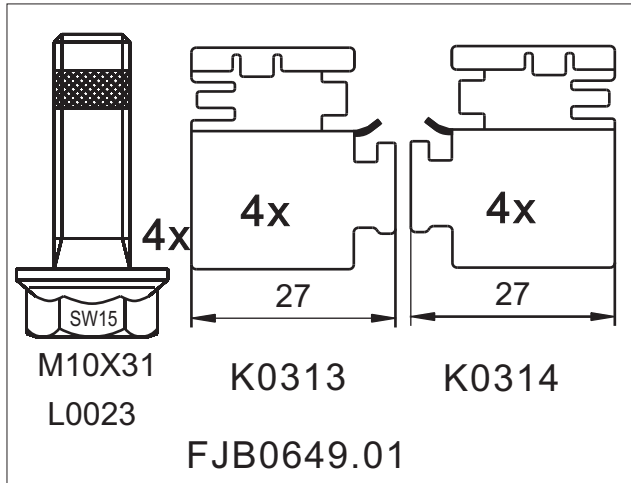
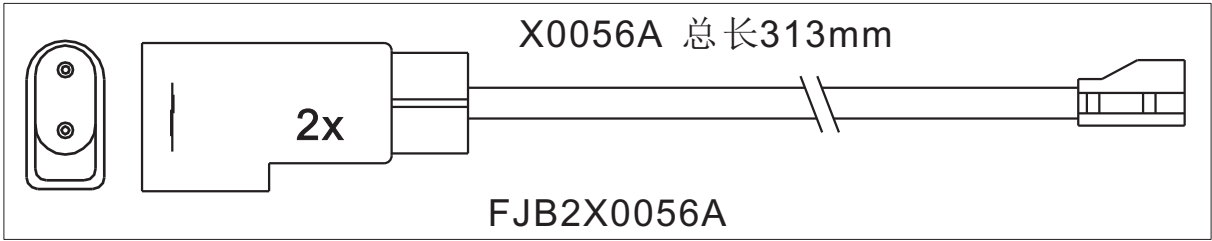
**Dimension
(mm)**

**Thickness
(mm)**



NOTE

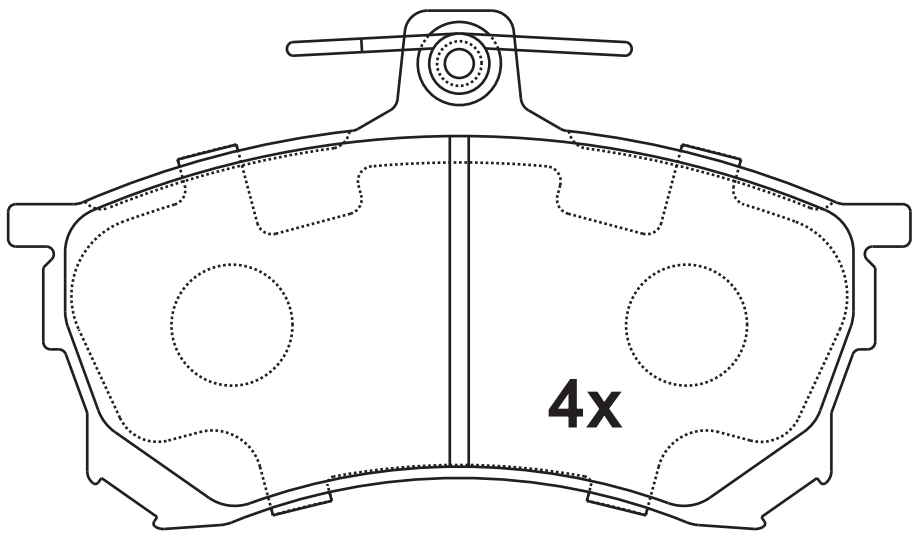
附件包
Accessory bag



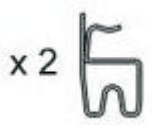
SR0650.01

Dimension (mm)	Thickness (mm)	
119.3×68.6	15	

NOTE
4 identical ;



23080



Apply for:

Mitsubishi Carisma
Mitsubishi Carisma

Hatchback
Saloon

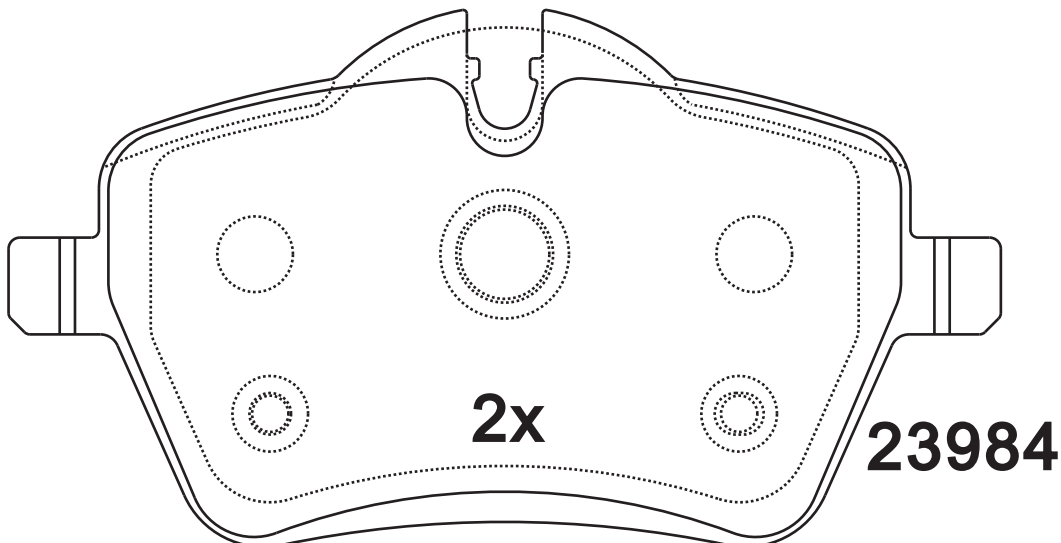
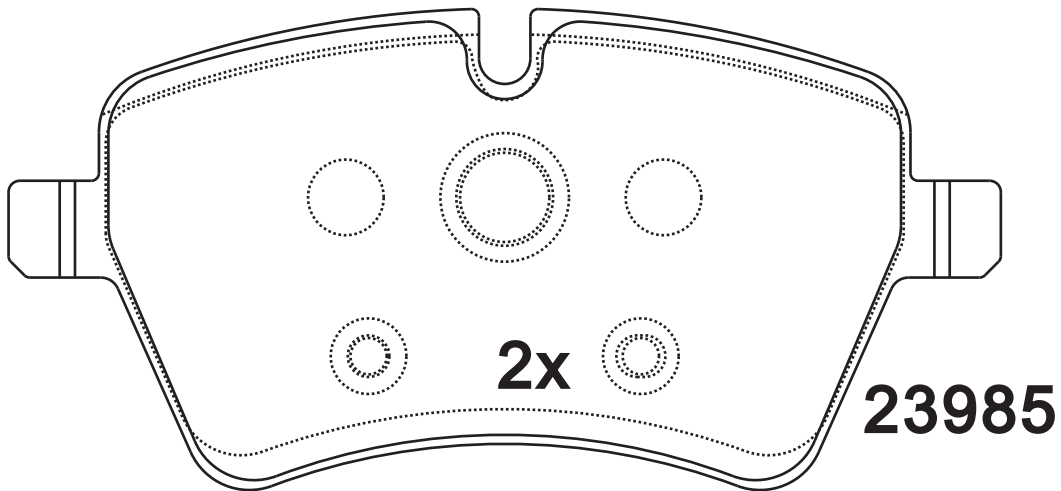
07.95-06.06
09.96-06.06

SR0651.01**Dimension
(mm)**131.2×63.6
131.2×71**Thickness
(mm)**



17.8

**NOTE**

2 identical ;2 identical ;

**Apply for:**

MINI Works	Hatchback	11.03-09.06
MINI John Cooper Works	Convertible	07.04-11.07
MINI John Cooper S	Hatchback	10.06-11.13
MINI John Cooper S	Convertible	03.09-
MINI Countryman One	Hatchback	06.10-
MINI Countryman Cooper	Hatchback	09.10-
MINI Countryman CooperS	Hatchback	06.10-
MINI Countryman CooperS All4	Hatchback	06.10-
MINI Countryman CooperS JCW	Hatchback	09.12-
MINI Countryman One D	Hatchback	06.10-
MINI Countryman CooperD	Hatchback	06.10-
MINI Countryman CooperD ALL4	Hatchback	06.10-
MINI Clubman Cooper S	Estate	10.07-06.15
MINI Paceman	Coupe	04.12-

SR0651.02	Dimension (mm)	Thickness (mm)		NOTE
	131.6×63.9/71.3	17.8		2 identical ;2 identical ;



取消 SR0651. 02=SR0651. 01=FJB0003. 01

Apply for:

MINI Works	Hatchback	11.03-09.06
MINI John Cooper Works	Convertible	07.04-11.07
MINI John Cooper S	Hatchback	10.06-11.13
MINI Countryman Cooper	Hatchback	09.10-
MINI Countryman CooperS	Hatchback	06.10-
MINI Countryman CooperS All4	Hatchback	06.10-
MINI Countryman CooperS JCW	Hatchback	09.12-
MINI Countryman CooperD	Hatchback	06.10-
MINI Countryman CooperD ALL4	Hatchback	06.10-
MINI Clubman Cooper S	Estate	10.07-06.15
MINI Paceman	Coupe	04.12-

SR0651

**Dimension
(mm)**

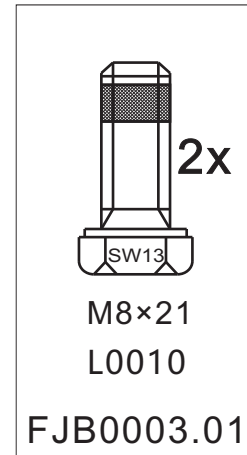
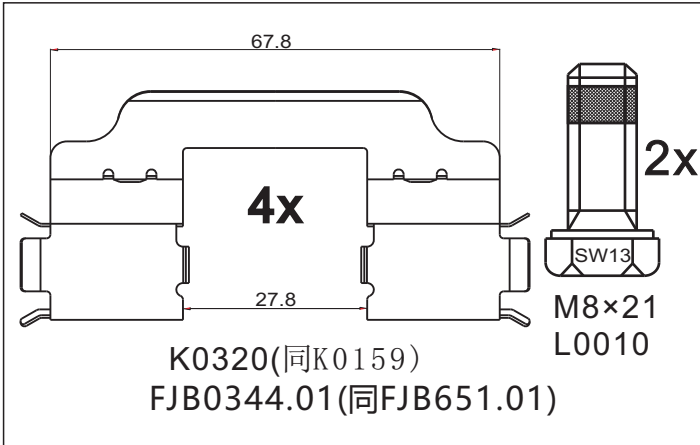
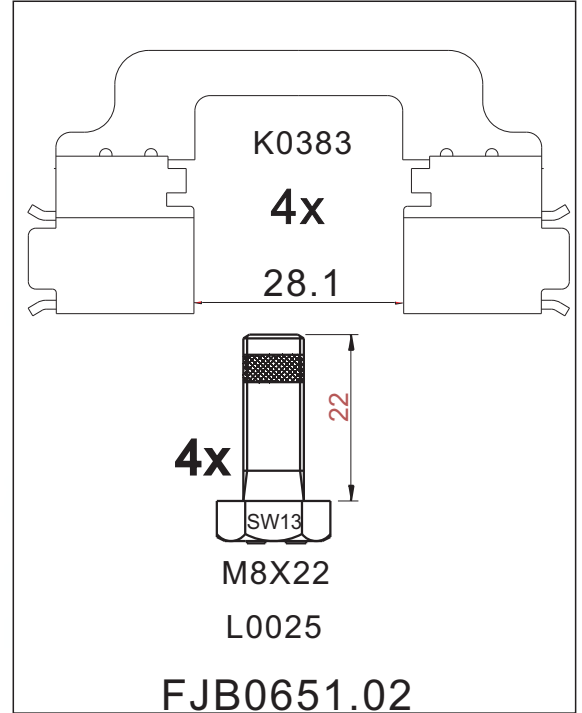
**Thickness
(mm)**



NOTE

**附件包
Accessory bag**

1x



SR0652.01

**Dimension
(mm)**

**Thickness
(mm)**

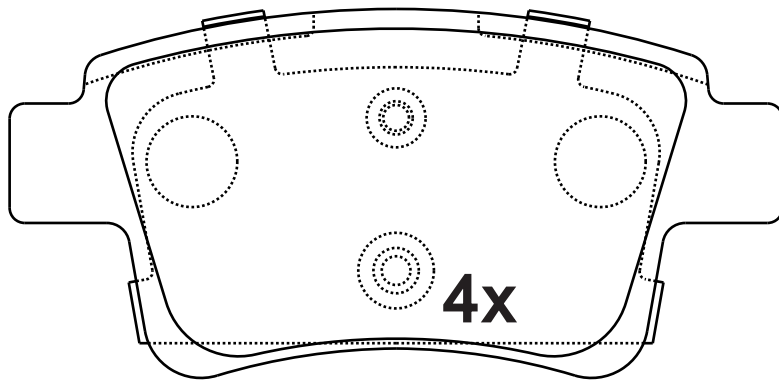


NOTE

4 identical ;

102.2×48.8

16.3



24540

SR0652.02

**Dimension
(mm)**

**Thickness
(mm)**

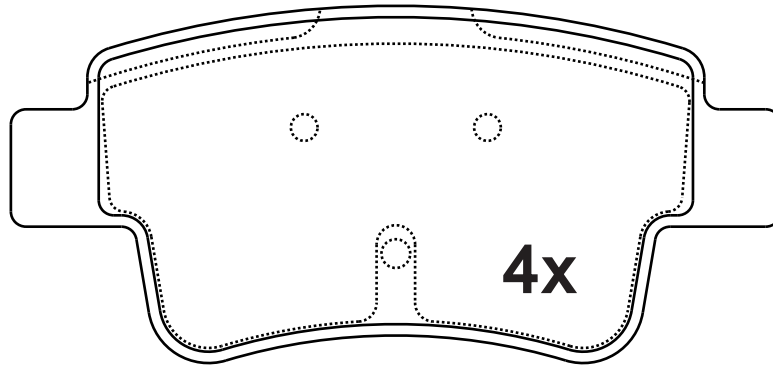


NOTE

4 identical ;

101.8×47.1

17.5





24349

Apply for:

Fiat Grande Punto (Latin America)

2007-2010

SR0652.03	Dimension (mm)	Thickness (mm)		NOTE 4 identical ;
	101.8×48.3	16.3		



取消 SR0652.03=SR0652.01=FJB0621.01

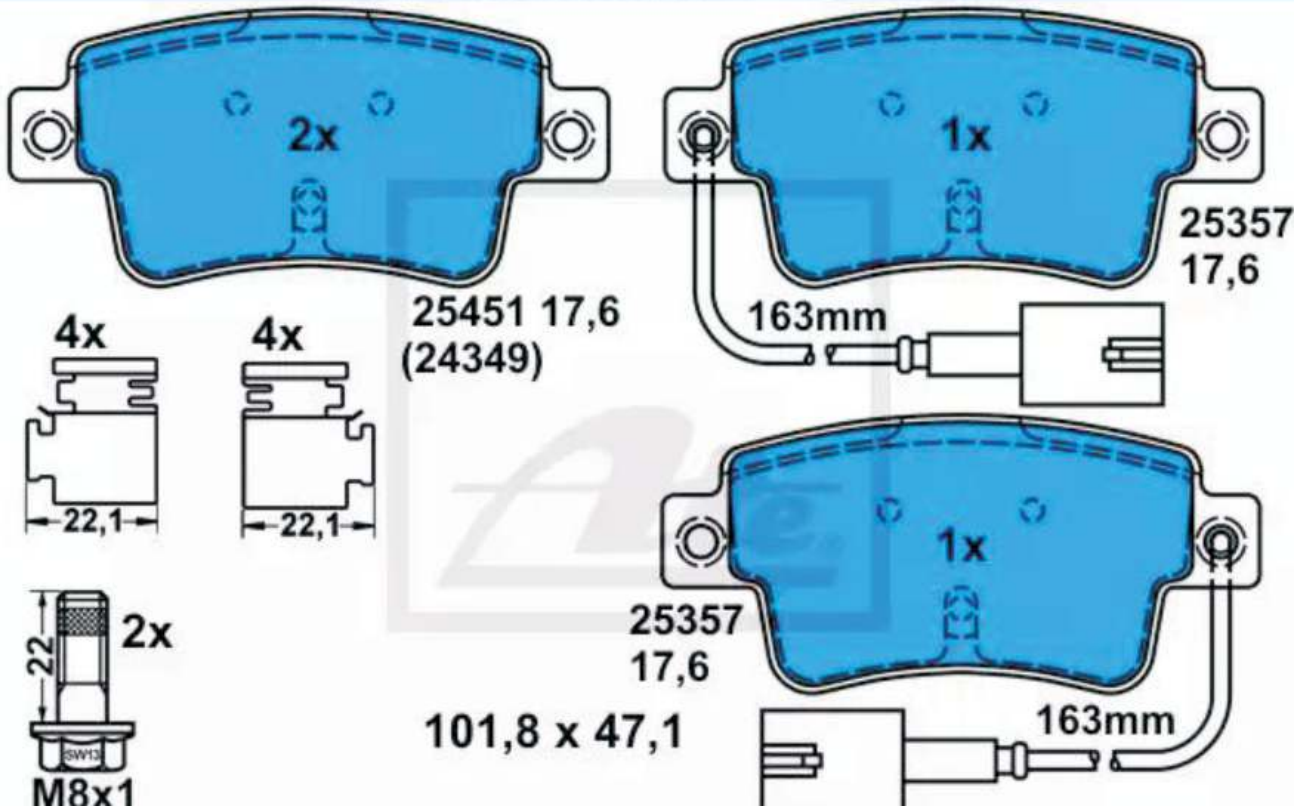
Apply for:

Citroen C4 Picasso I	MPV	02.07-08.13
Citroen C4 Grand Picasso I	MPV	10.16-

SR0652.04

Dimension (mm)	Thickness (mm)	
101.8×47.1	17.5	

NOTE
4 identical ;



Apply for:

ABARTH PUNTO 1.4 (199.AXX1B)
FIAT PUNTO (199_) 0.9
FIAT PUNTO EVO (199_) 1.2
FIAT PUNTO EVO (199_) 1.4 16V

2012-
2013-
2009-2012
2009-2012

SR0652

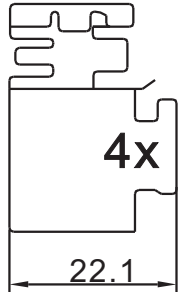
**Dimension
(mm)**

**Thickness
(mm)**

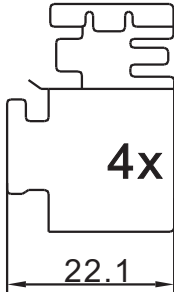


NOTE

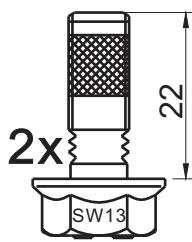
**附件包
Accessory bag**



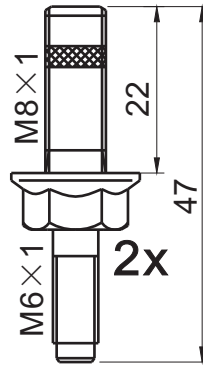
K0035



K0036

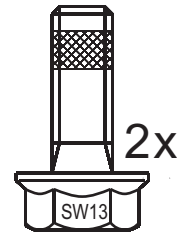


M8×1
L0015
(替代L0031)



L0017

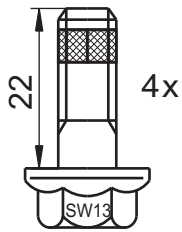
FJB0652.01



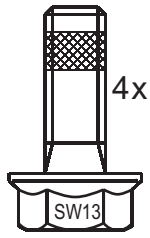
M8X22

L0020

FJB0621.01



M8×1
L0015
FJB0089.01



M8X22
L0020
FJB0621.01

SR0653.01

**Dimension
(mm)**

110.4×47.7

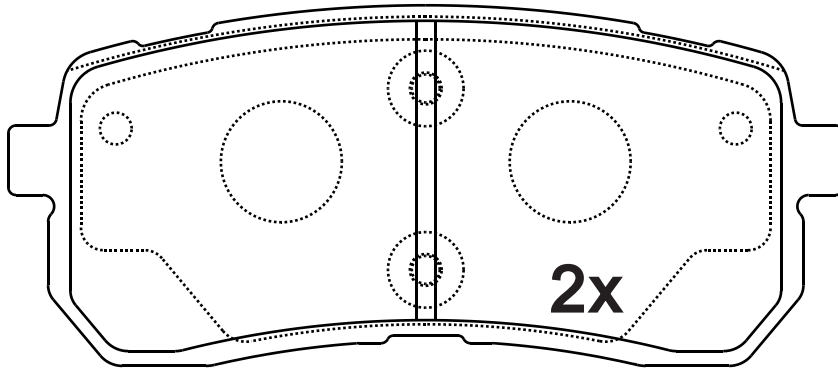
**Thickness
(mm)**

14.9

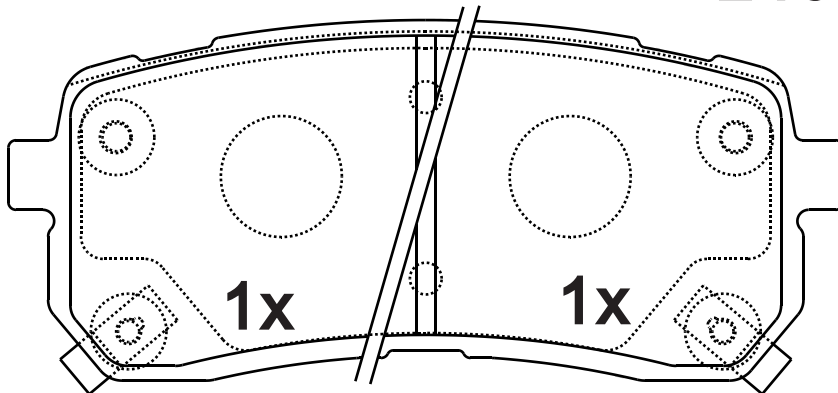


NOTE

2 identical; 2 identical, 1 with acoustic indicator (left), 1 with acoustic indicator (right).



24600



24686

24599

Apply for:

Kia Carnival/Grand Carnival III

MPV

06.06-

SR0653

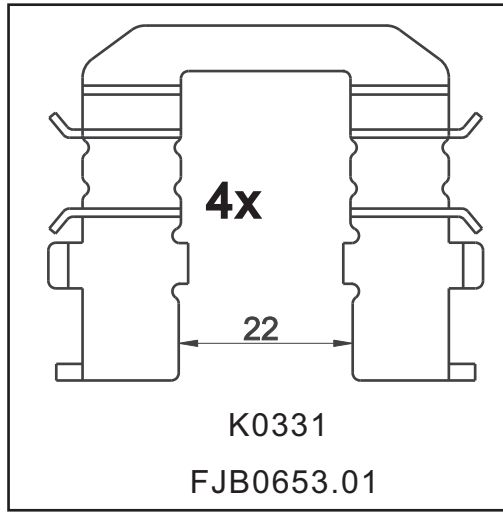
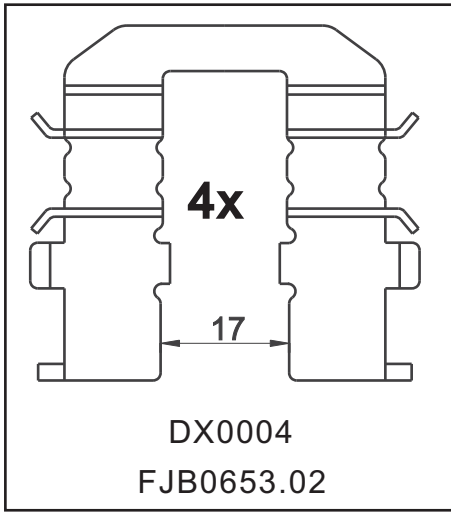
**Dimension
(mm)**

**Thickness
(mm)**



NOTE

**附件包
Accessory bag**



SR0654.01

**Dimension
(mm)**

149.1×60.6

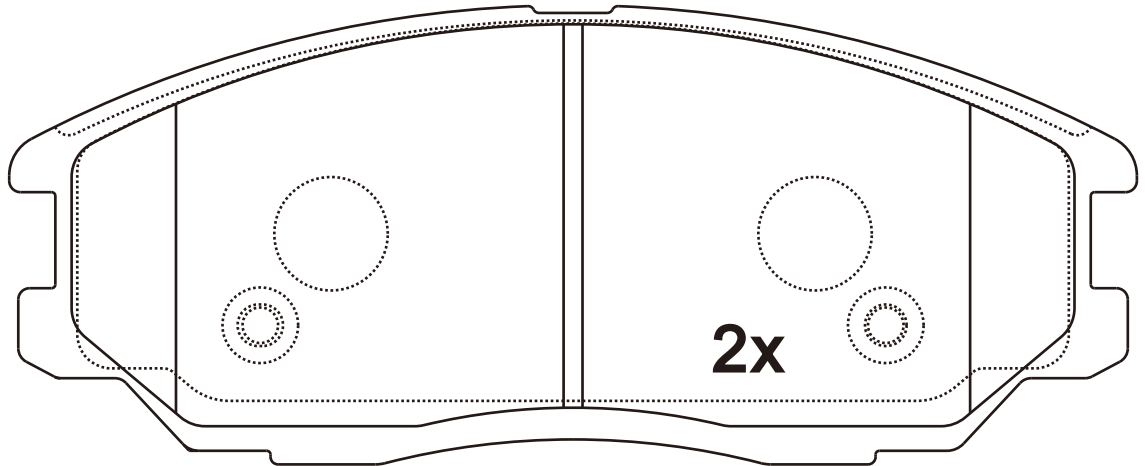
**Thickness
(mm)**

16.5



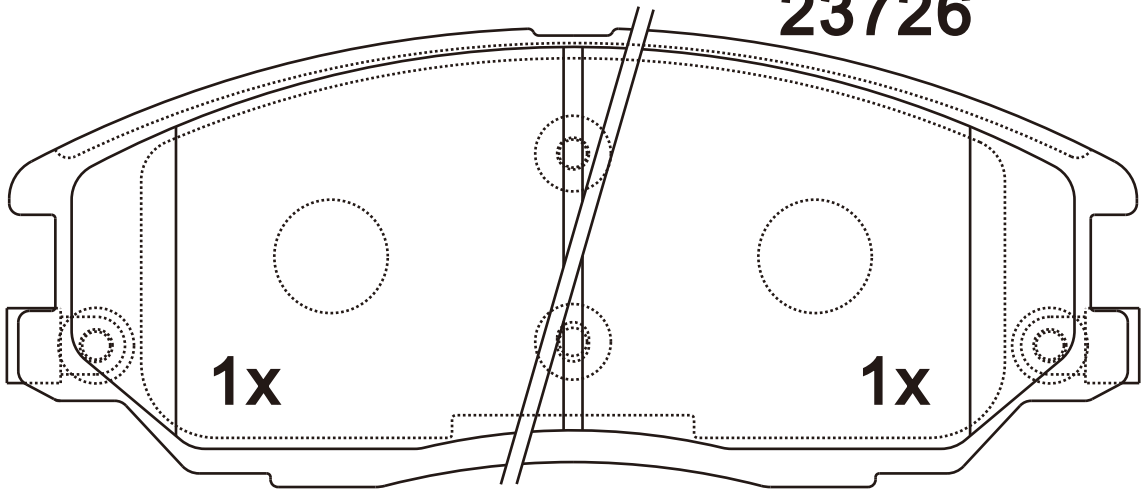
NOTE

2 identical; 2 identical, 1 with acoustic indicator (left), 1 with acoustic indicator (right).



2x

23726



1x

1x

23727

23728

Apply for:

Hyundai XG350

2003-2005

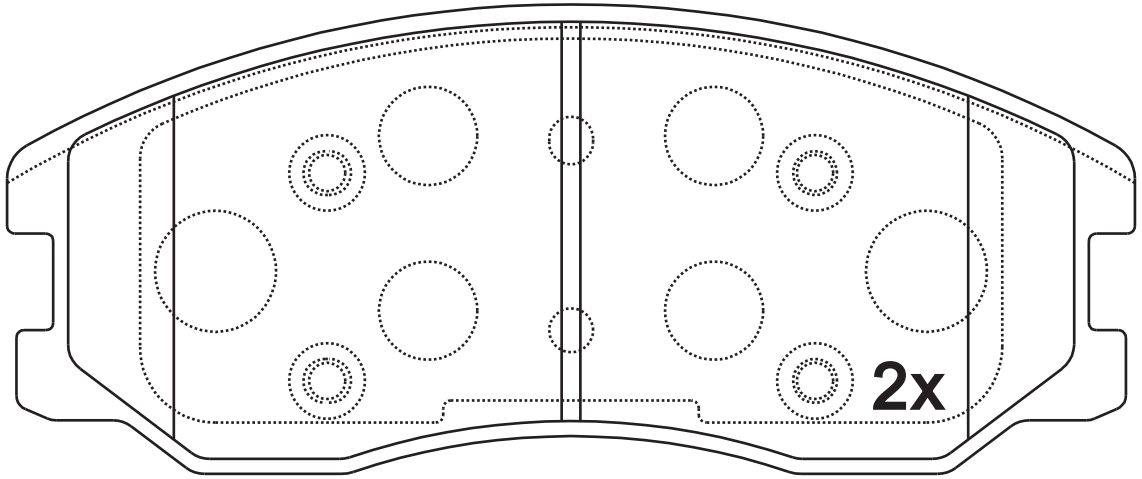
Kia Amanti

2004-2006

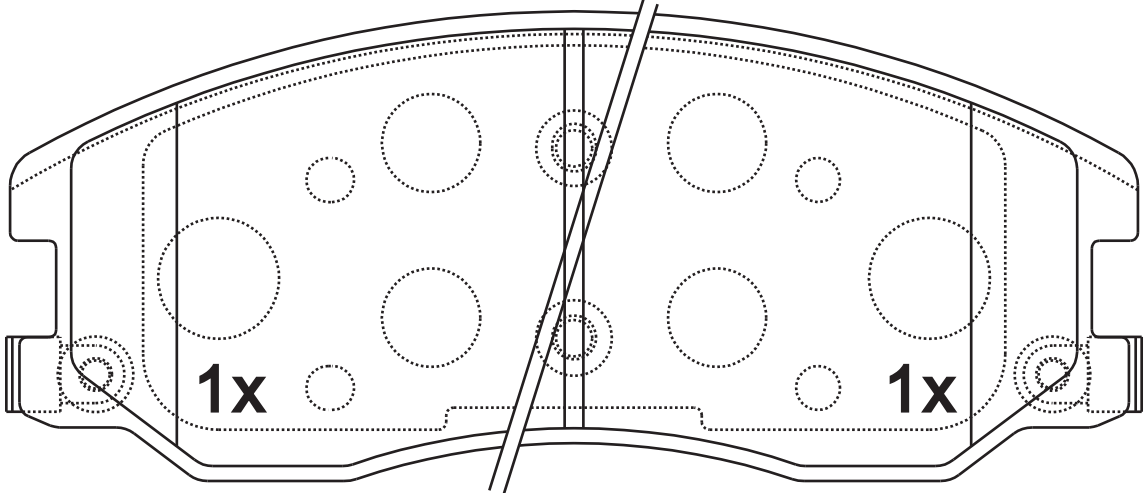
SR0654.02

Dimension (mm)	Thickness (mm)	
149.1×62.1	17	 

NOTE
2 identical; 2 identical, 1 with acoustic indicator (left), 1 with acoustic indicator (right).



24510



24511

24512

Apply for:

Chevrolet Truck Captiva Sport
Chevrolet Truck Equinox
Pontiac Torrent
Saturn Vue
Suzuki XL-7

2012-2014
2007-2009
2007-2009
2008-2010
2007-2009

SR0655.01

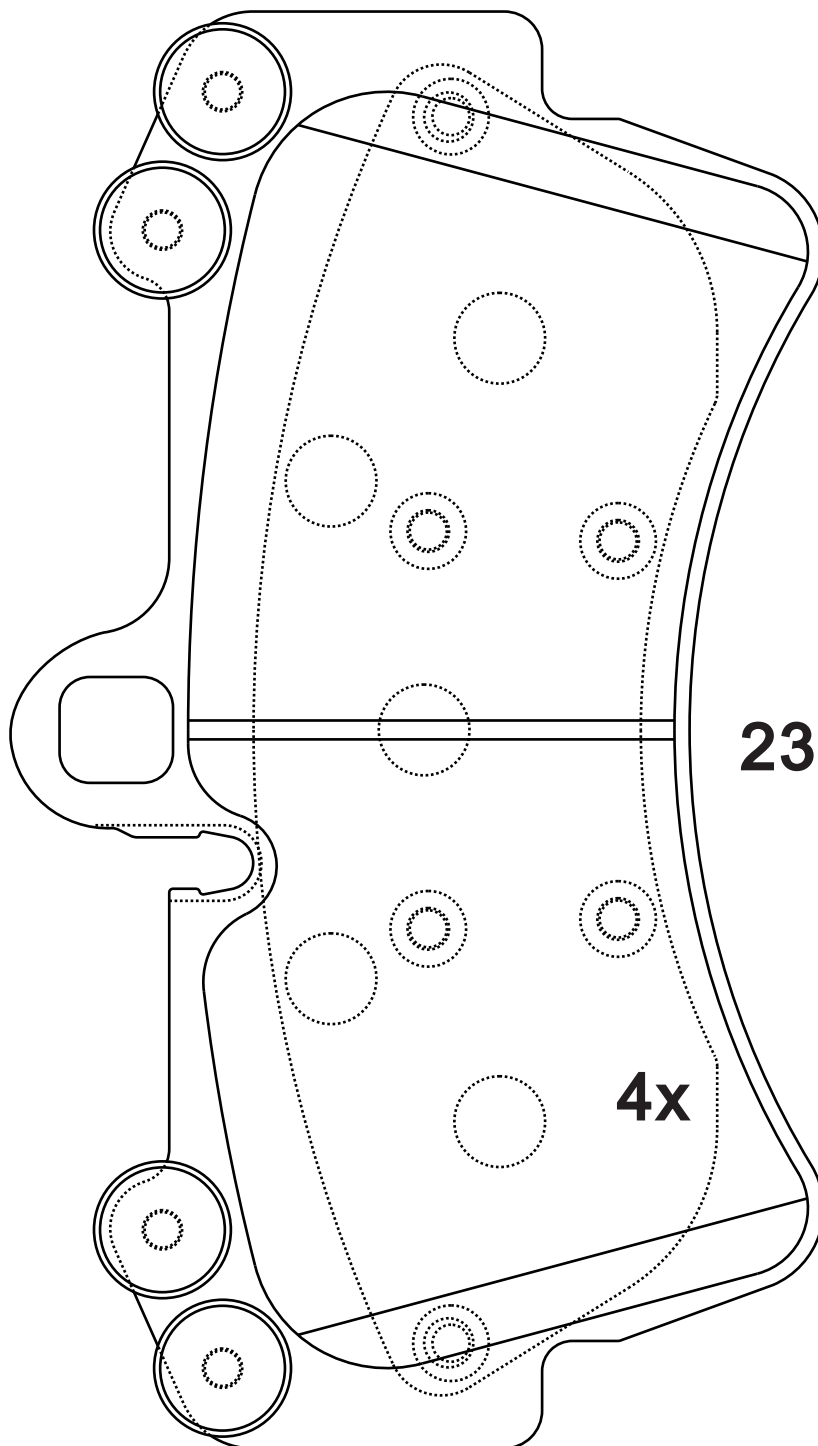
**Dimension
(mm)**

**Thickness
(mm)**



NOTE

4 identical;



Apply for:

Audi Q7

Porsche Cayenne

Volkswagen Touareg

Closed off-Road

Closed off-Road

Closed off-Road

03.06-08.15

09.02-09.10

12.02-11.06

SR0655

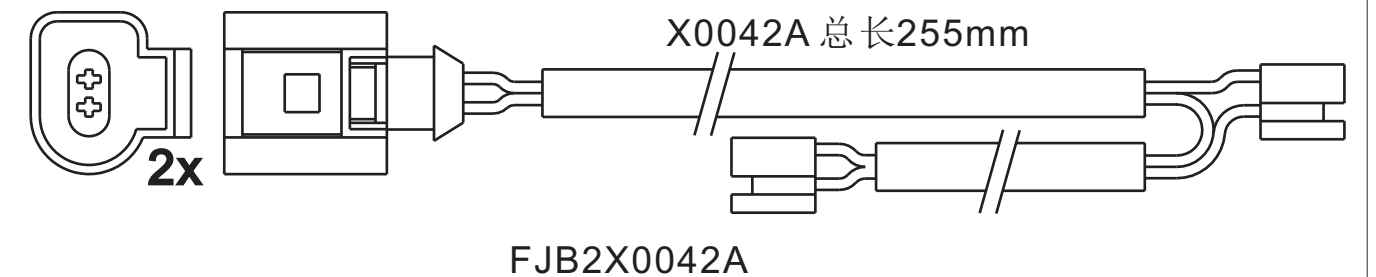
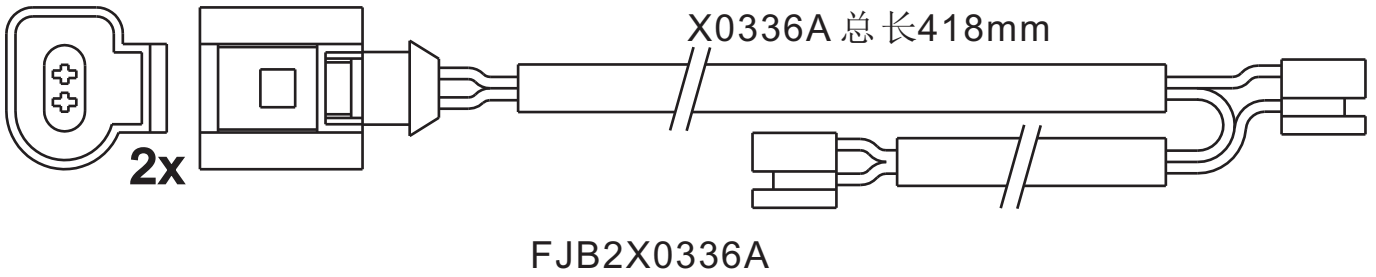
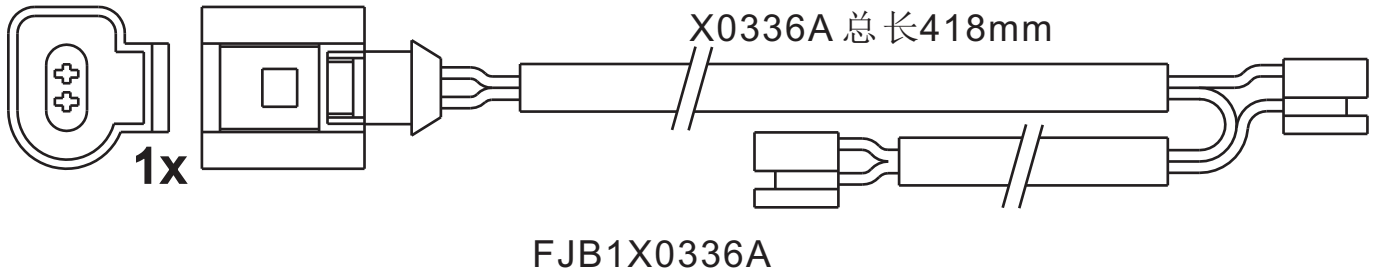
**Dimension
(mm)**

**Thickness
(mm)**



NOTE

**附件包
Accessory bag**



SR0656.01

**Dimension
(mm)**

121×37.3

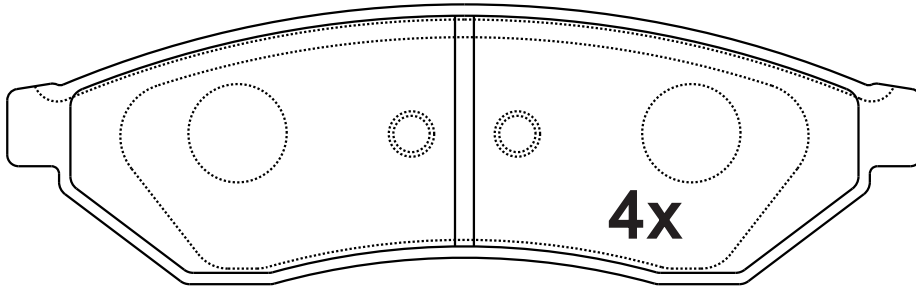
**Thickness
(mm)**

14.8



NOTE

4 identical;



**23994
(D1466)**

Apply for:

Daewoo Magnus
Daewoo Tosca

Saloon
Saloon

07.99-
02.06-

SR0657.01

**Dimension
(mm)**

**Thickness
(mm)**

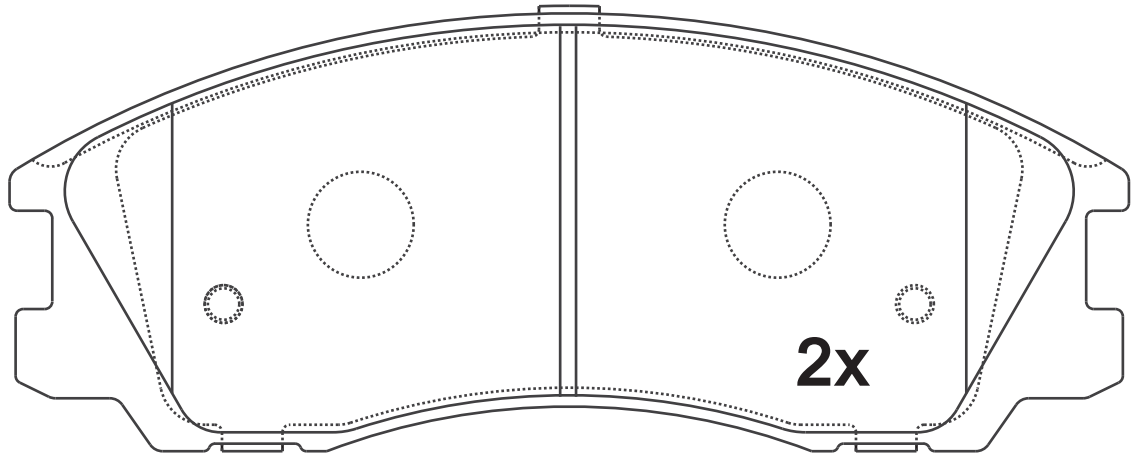


NOTE

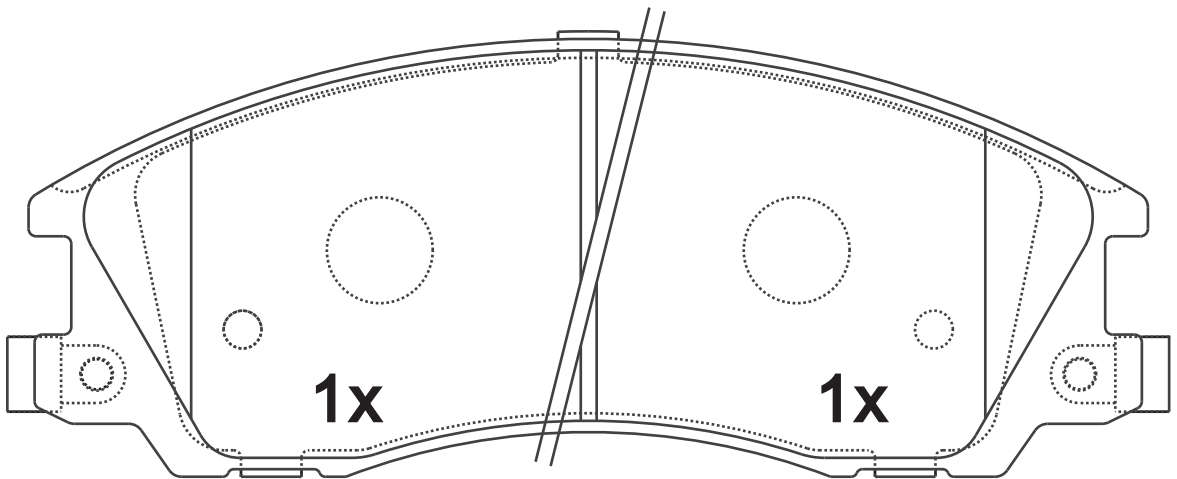
2 identical; 2 identical, 1 with acoustic indicator (left), 1 with acoustic indicator (right).

148.8×58

16.6



24059



24060

24061

Apply for:

Hyundai Terracan

Closed off-Road

12.01-12.06

SR0658.01

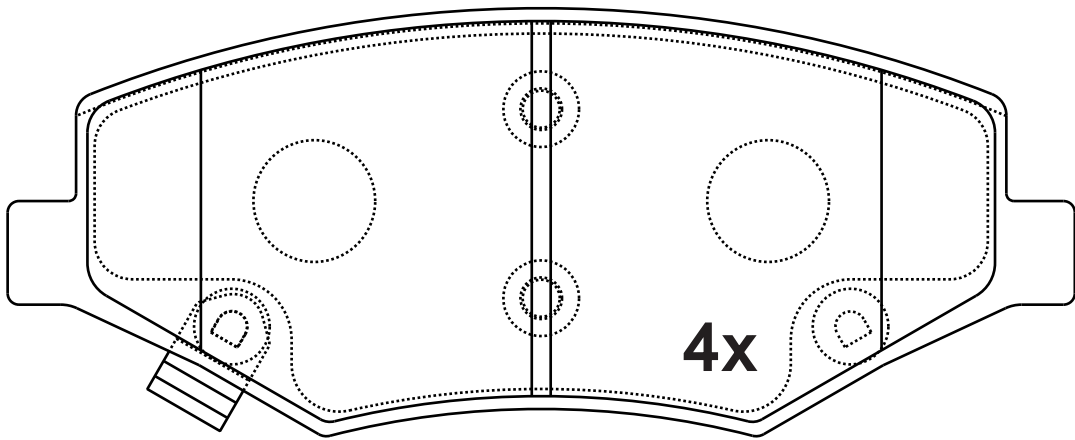
**Dimension
(mm)**

**Thickness
(mm)**



NOTE

4 identical;



D1887

Apply for:

BYD S6

2013

SR0659.01

**Dimension
(mm)**

128.8×53.4

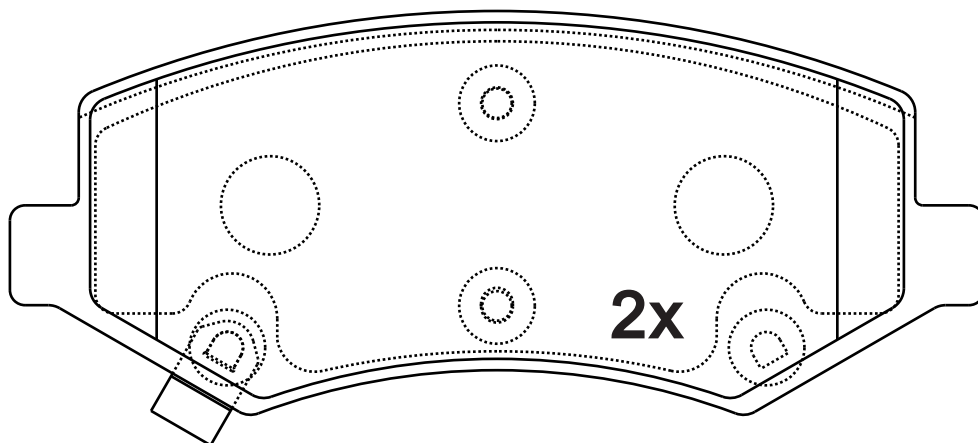
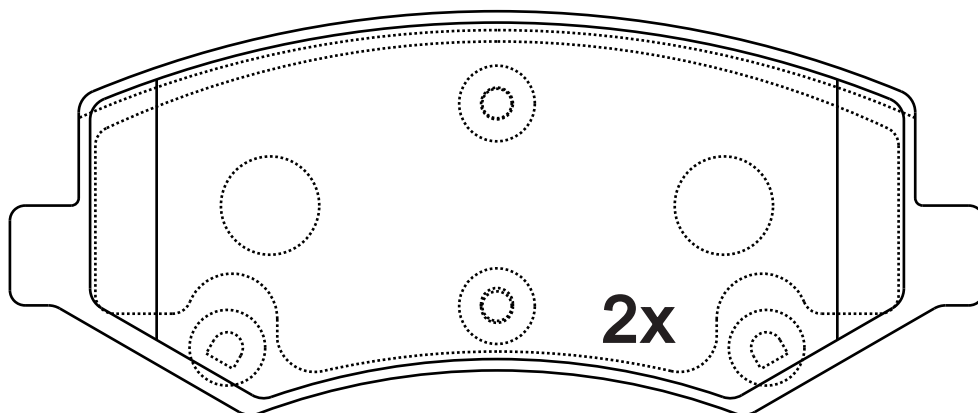
**Thickness
(mm)**

17.3



NOTE

2 identical; 2 identical, 1 with acoustic indicator (left).



GDB7889

Apply for:

BYD Surui

Saloon

08.12-

SR0660.01

**Dimension
(mm)**

**Thickness
(mm)**

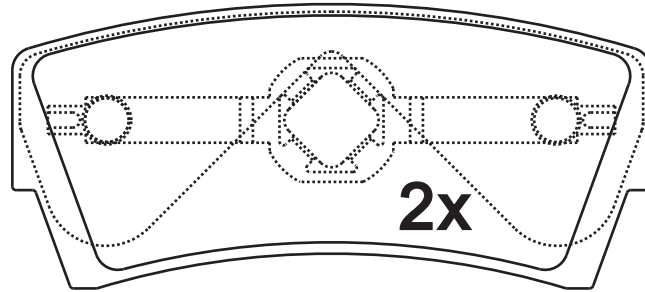


NOTE

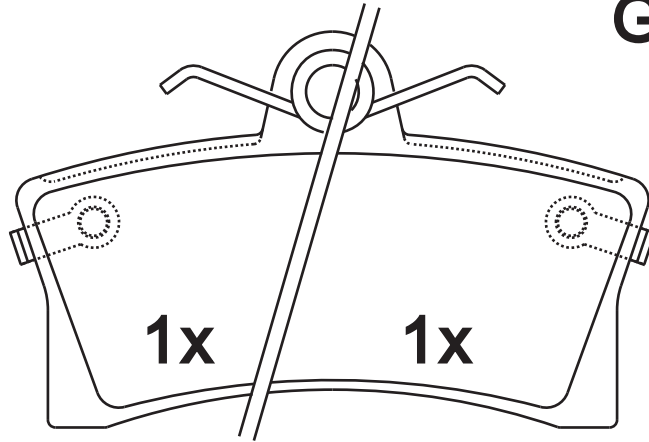
2 identical; 2 identical, 1 with acoustic indicator (left), 1 with acoustic indicator (right).

84.3/83.6×38/52.5

15.7/14.9



GDB7950



Apply for:

CHANGAN Yuexiang

2012

SR0661.01

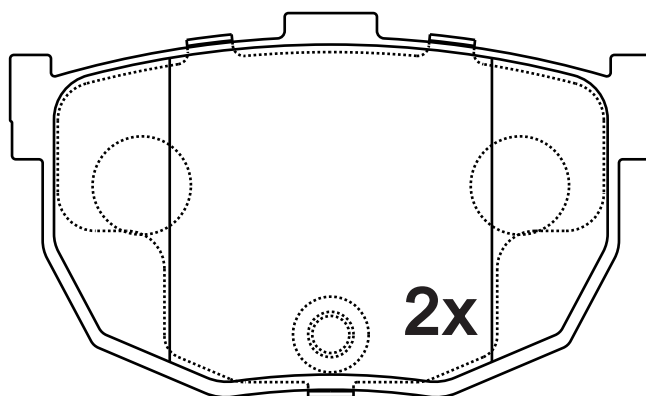
**Dimension
(mm)**

**Thickness
(mm)**

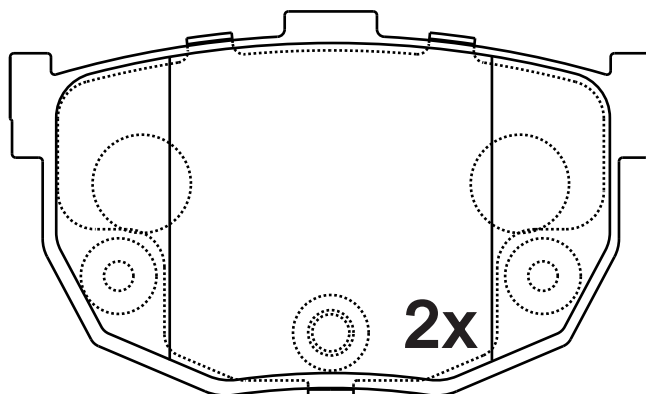


NOTE

2 identical;2 identical;



D1606-8820



Apply for:

JIANGHUAI HEYUE

SR0662.01

**Dimension
(mm)**

103.4×42.6

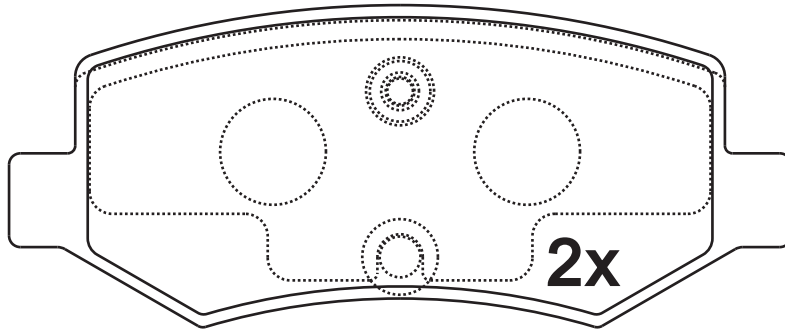
**Thickness
(mm)**

14.5

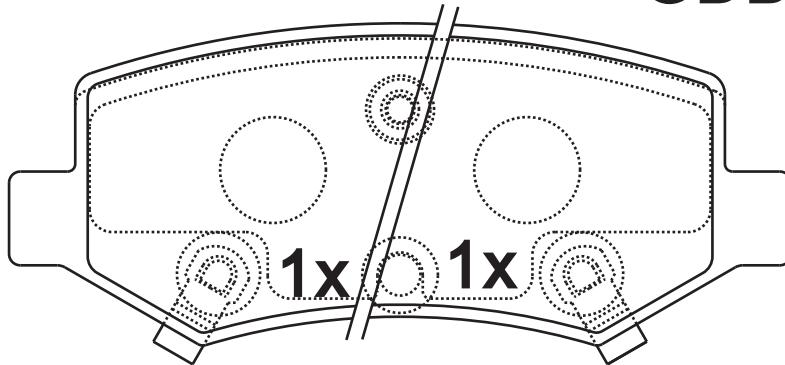


NOTE

4 identical, 1 with acoustic indicator (left), 1 with acoustic indicator (right).



GDB7890



Apply for:

BYD Surui

Saloon

08.12-

SR0662.02

**Dimension
(mm)**

**Thickness
(mm)**

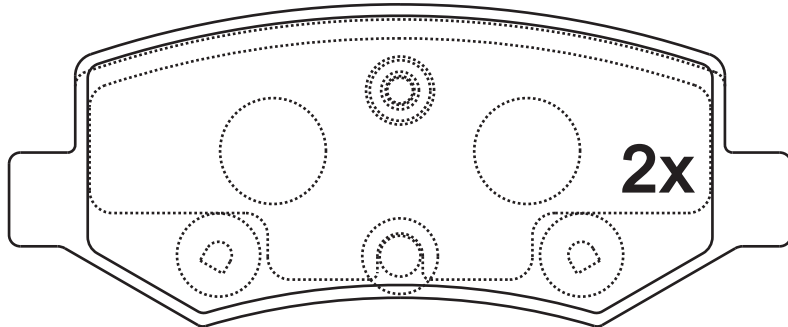
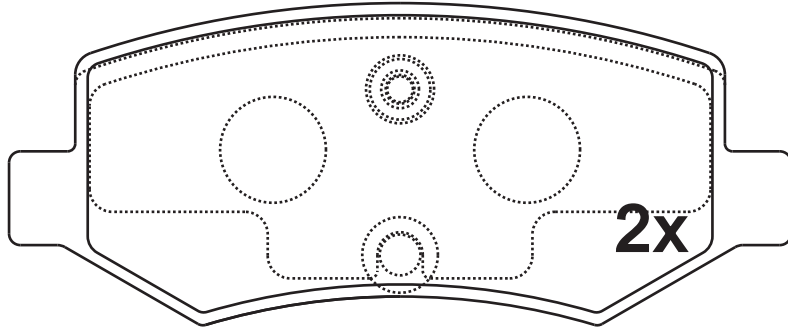


NOTE

4 identical, 1 with acoustic indicator (left), 1 with acoustic indicator (right).

103.4×42.6

14.5



Apply for:

SR0662.03

**Dimension
(mm)**

103.4×42.6

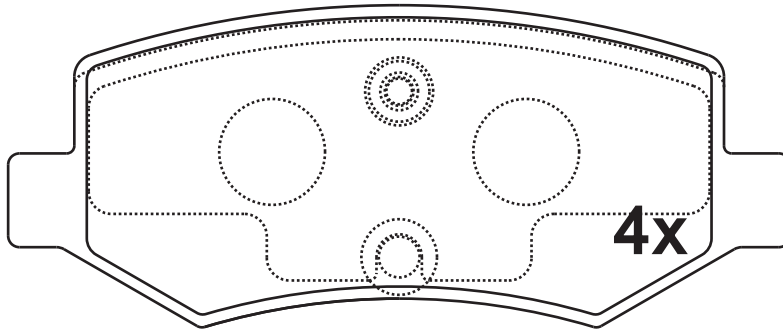
**Thickness
(mm)**

14.5



NOTE

**4 identical, 1 with acoustic indicator (left),
1 with acoustic indicator (right).**



Apply for:

SR0663.01

**Dimension
(mm)**

118.2×48.8
100.2×48.8

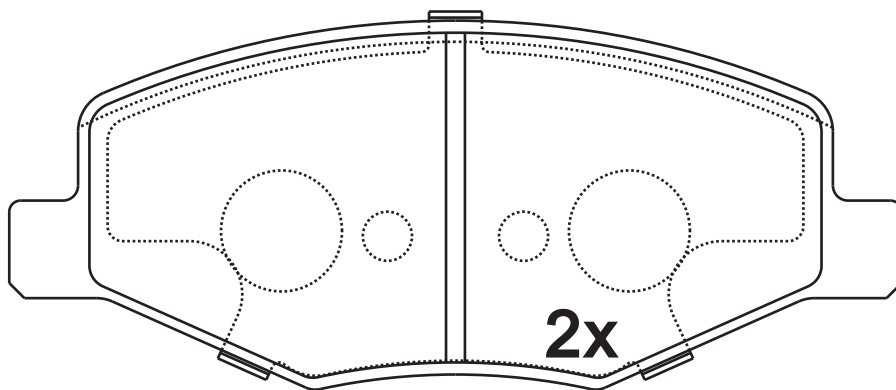
**Thickness
(mm)**

15.5

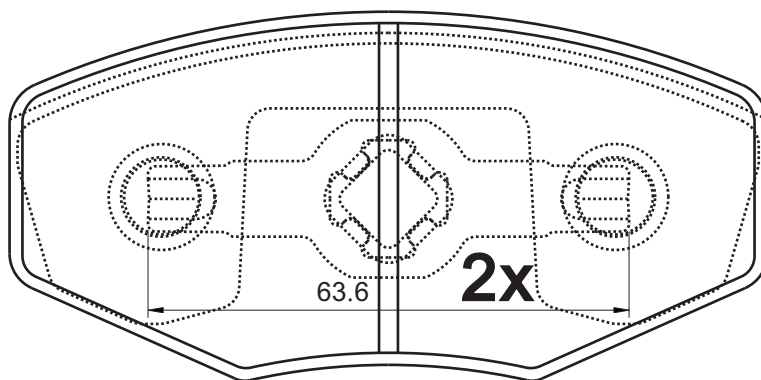


NOTE

2 identical;2 identical;



GDB7815



Apply for:

Chery A1	Hatchback	04.07-
Chery Qiyun	Saloon	05.10-
Chery QQ6	Saloon	09.06-
Riich M5	Saloon	09.10-

SR0664.01

**Dimension
(mm)**

143.8×56.5

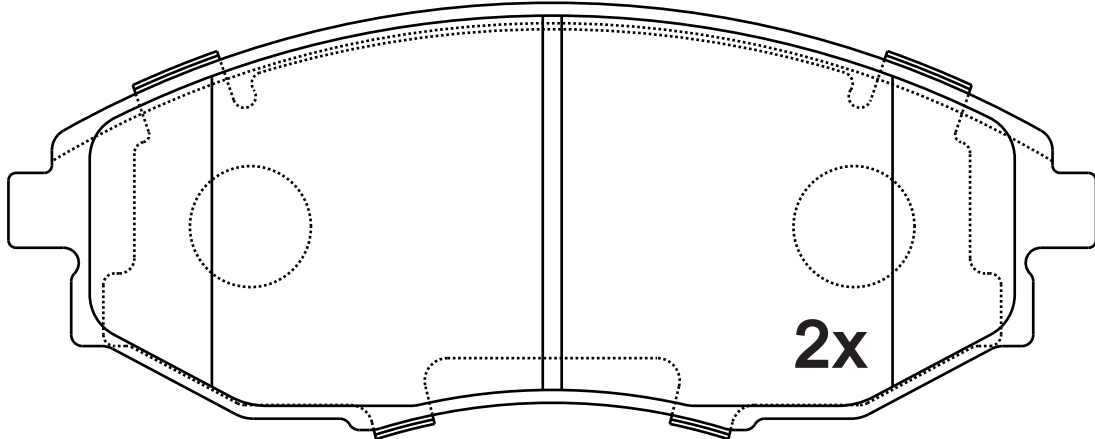
**Thickness
(mm)**

17.5

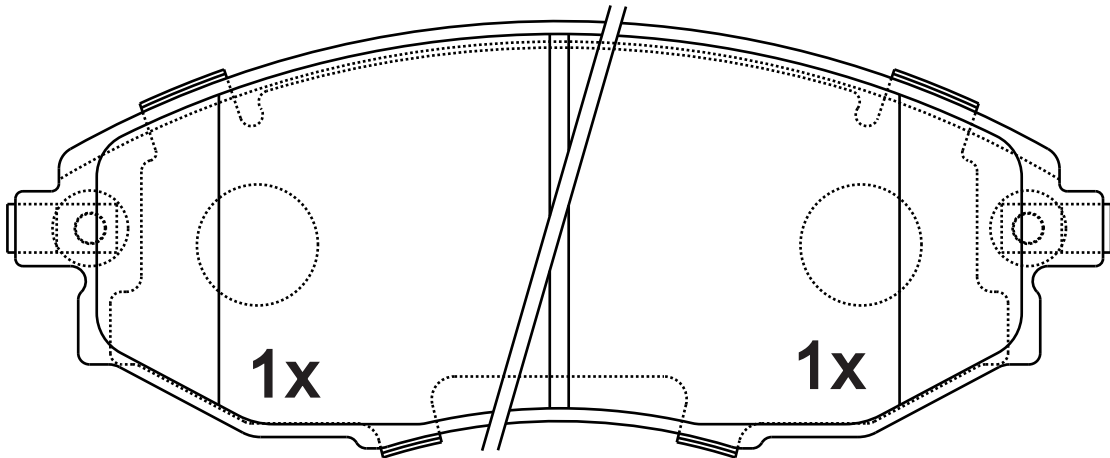


NOTE

4 identical,1 with acoustic indicator(left),1 with acoustic indicator(right).



24864



24865

24866

Apply for:

Chevrolet Epica

Saloon

08.06-

SR0665.01

**Dimension
(mm)**

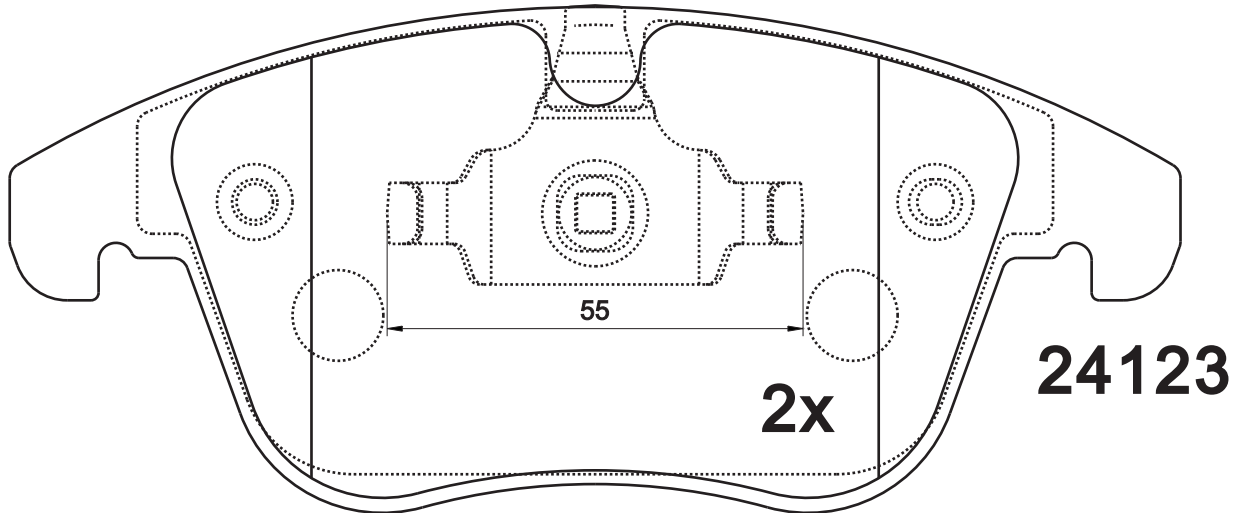
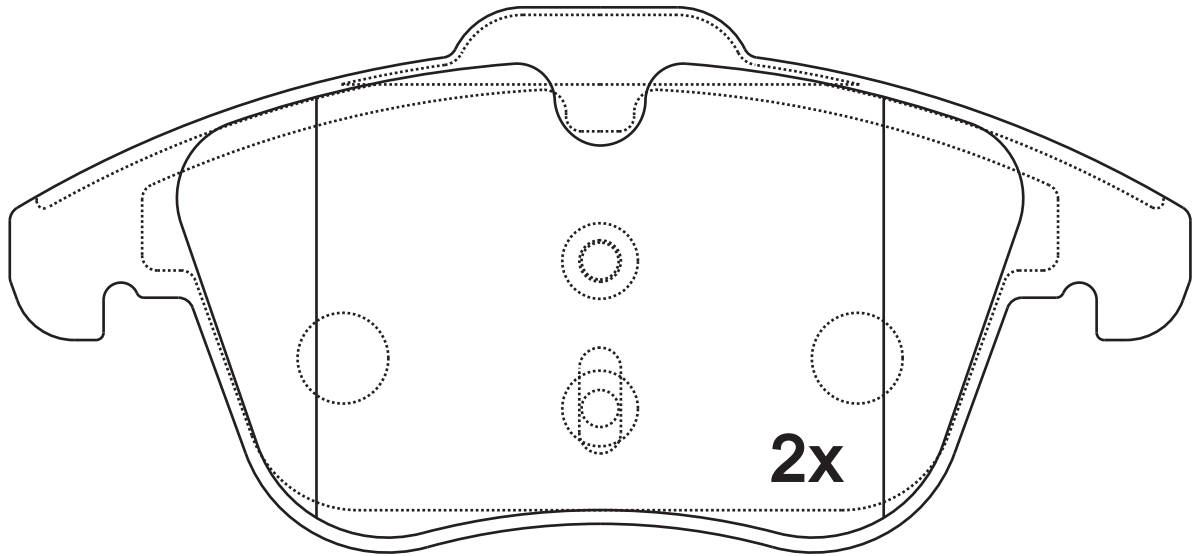
**Thickness
(mm)**



NOTE

SR0666.01**Dimension
(mm)**156.1×72.1
154.8×66.9**Thickness
(mm)**

19.3

**NOTE****2 identical; 2 identical
with acoustic indicator
(left).****Apply for:**

Ford Mondeo IV	Hatchback	03.07-09.14
Ford Mondeo IV	Saloon	03.07-09.14
Ford Mondeo IV	Estate	03.07-09.14
Land Rover Freelander	Closed off-Road	10.06-
Volvo S60 II	Saloon	04.10-
Volvo S80 II	Saloon	04.10-
Volvo V6	Estate	09.10-
Volvo V70 III	Estate	03.15-
Volvo XC70 II	Estate	03.15-

SR0667.01

**Dimension
(mm)**

127.6×49.7

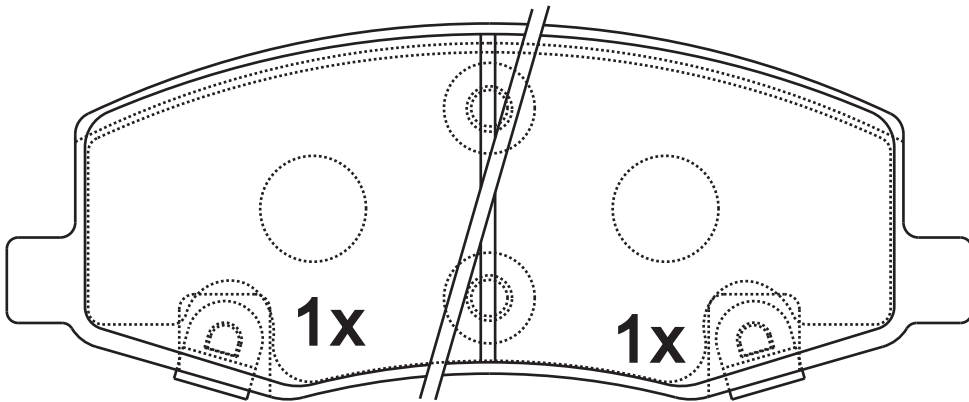
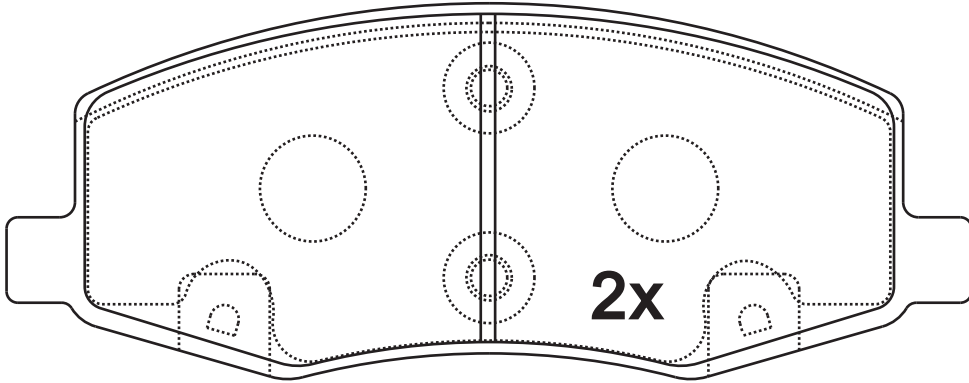
**Thickness
(mm)**

17.6



NOTE

4 identical, 1 with
acoustic indicator
(left), 1 with acoustic
indicator (right).



Apply for:

Baojun (Sgmw) 630

2011/08-

SR0668.01

**Dimension
(mm)**

129.5×69.6

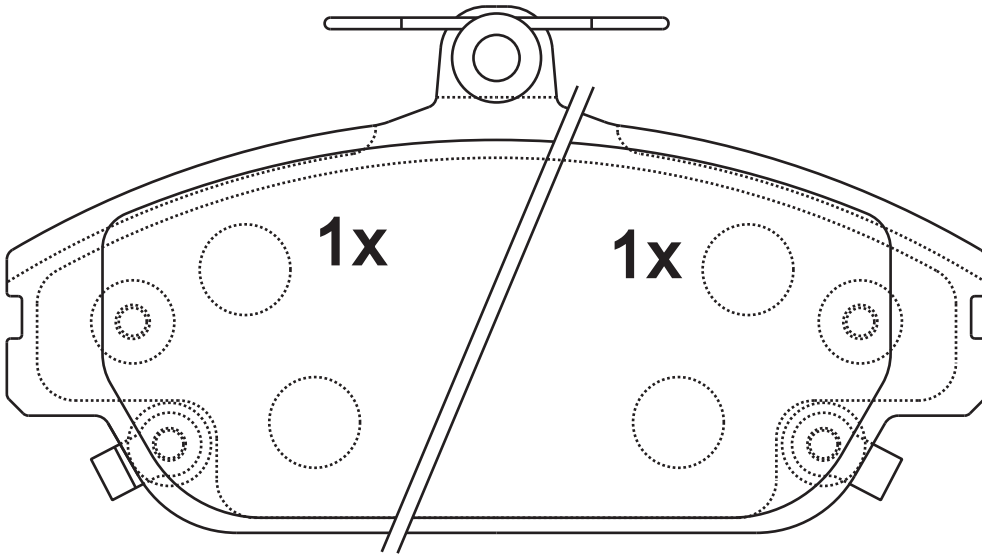
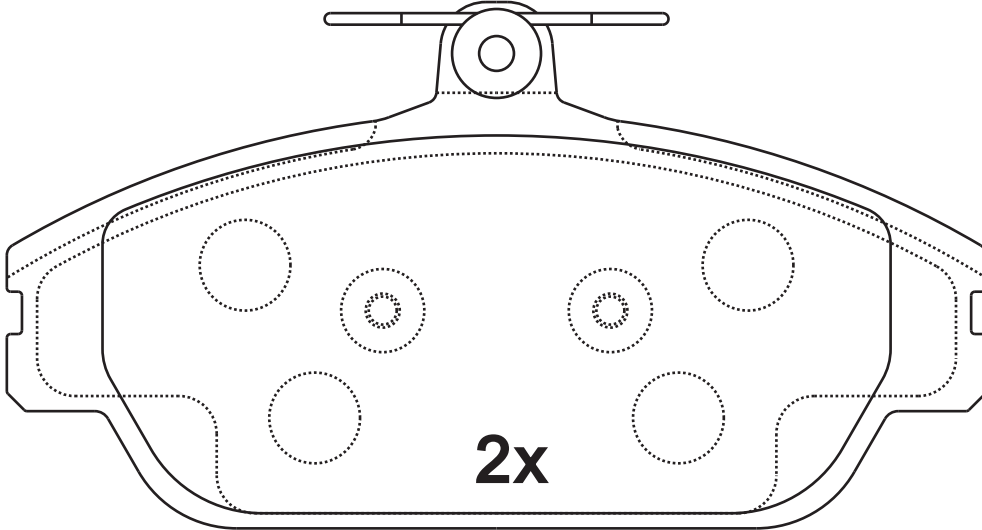
**Thickness
(mm)**

17



NOTE

4 identical, 1 with acoustic indicator (left), 1 with acoustic indicator (right).



Apply for:

EC715/EC718

2014-

SR0669.01

**Dimension
(mm)**

187.9×73.1
187.5×73.7

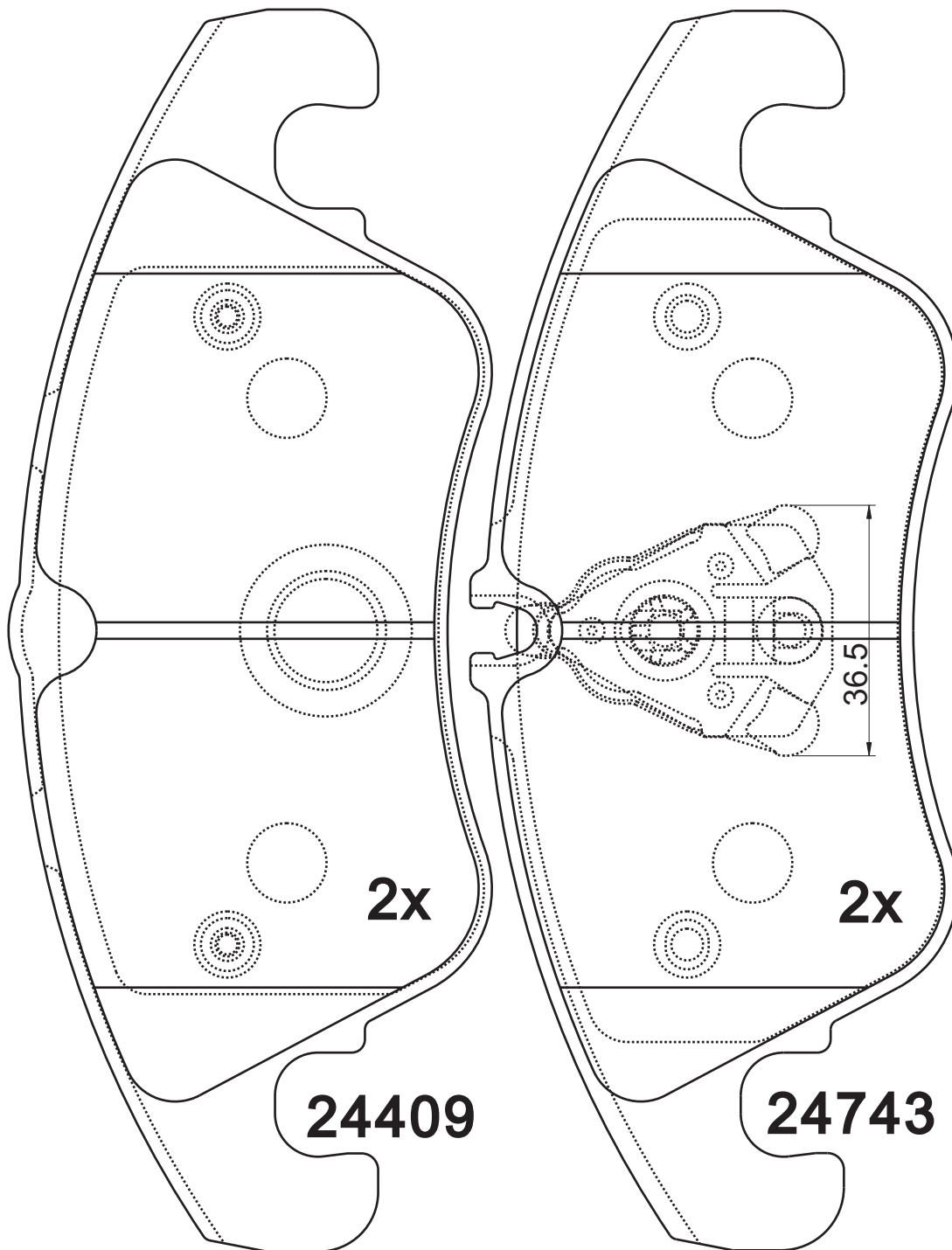
**Thickness
(mm)**

19.2




NOTE

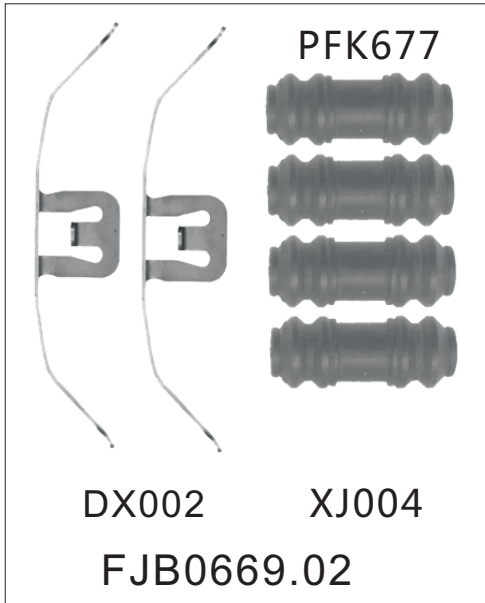
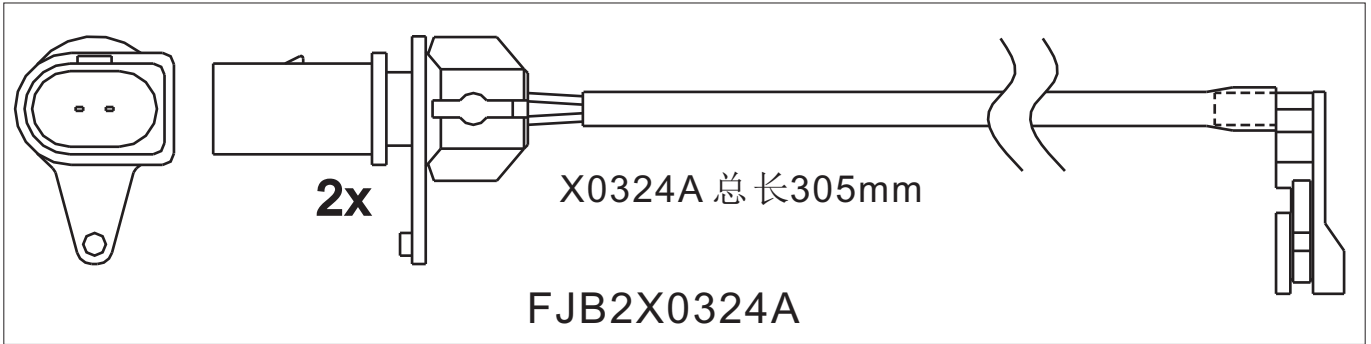
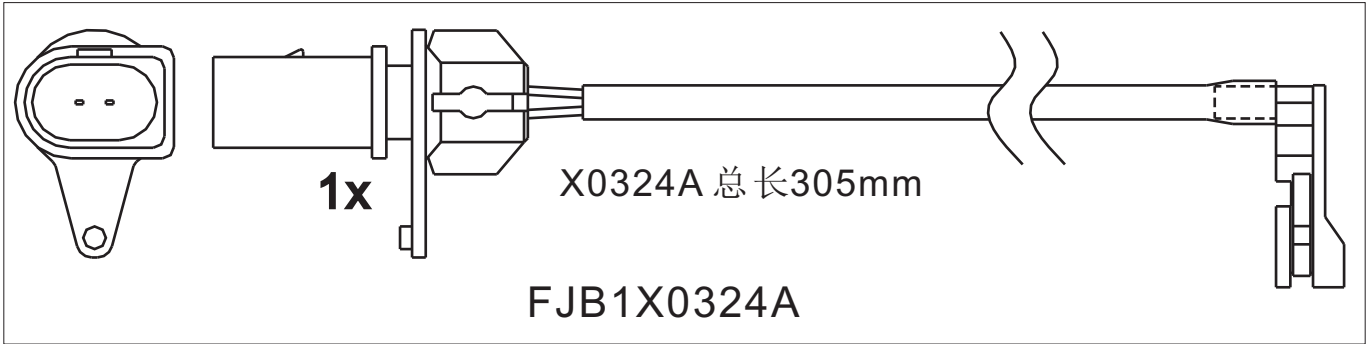
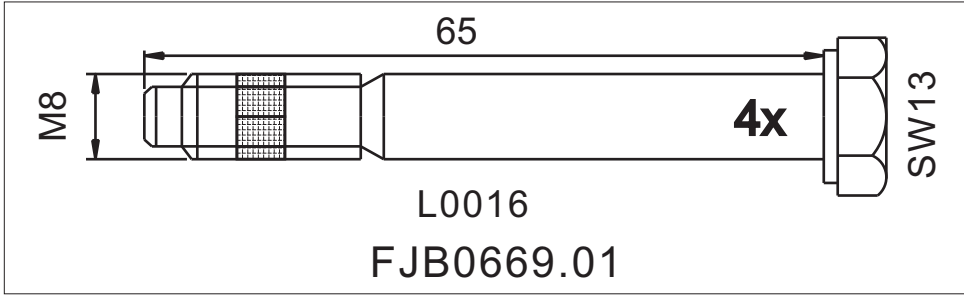
**2 identical; 2 identical
with spring.**



Apply for:

Audi A4	Saloon	11.07-12.15
Audi A4	Estate	11.07-12.15
Audi A5	Coupe	06.07-
Audi A5	Hatchback	09.09-
Audi A5	Convertible	03.09-

SR0669	Dimension (mm)	Thickness (mm)		NOTE



SR0670.01

**Dimension
(mm)**

123.4×41.1

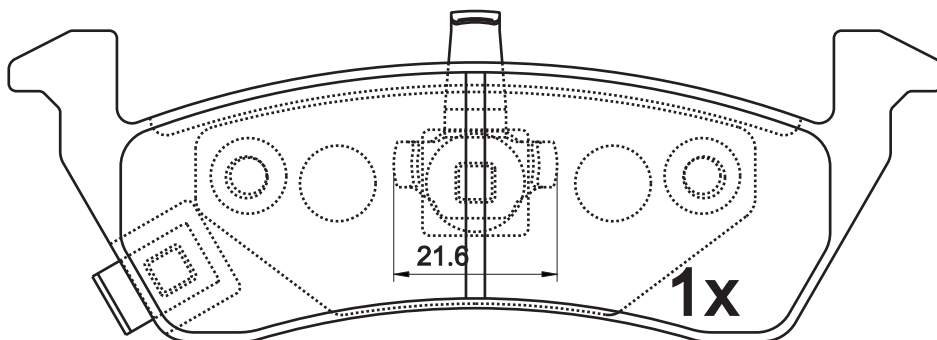
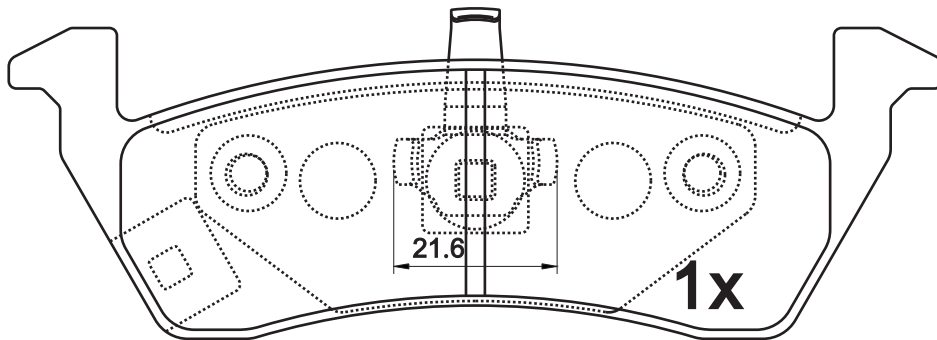
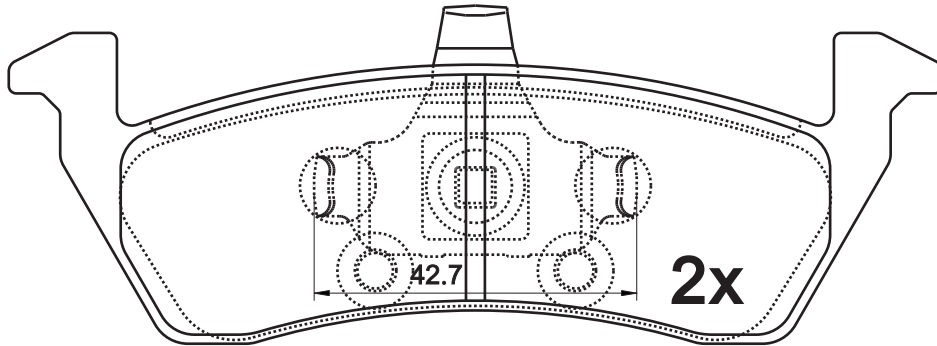
**Thickness
(mm)**

14



NOTE

2 identical with spring;
2 identical with spring,
1 with acoustic indicator
(left).



GDB7893

Apply for:

BAOJUN 630

2011-2013

SR0671.01

**Dimension
(mm)**

120.6×44.8

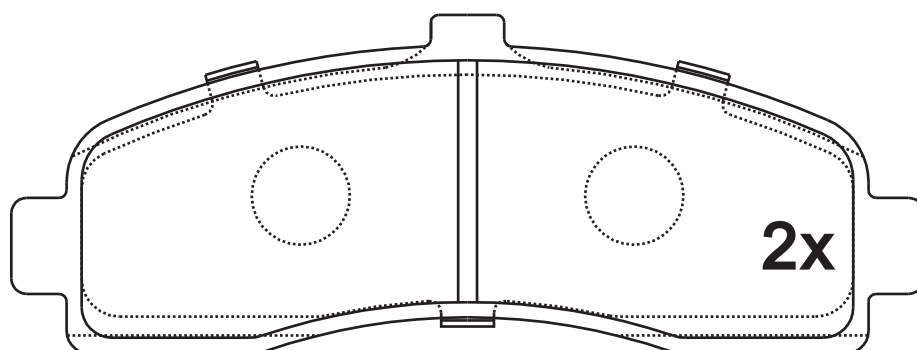
**Thickness
(mm)**

15



NOTE

4 identical;



21626

Apply for:

Nissan Micra li (K11)

1992/01-2007/12

SR0672.01

**Dimension
(mm)**

108.6×42.1

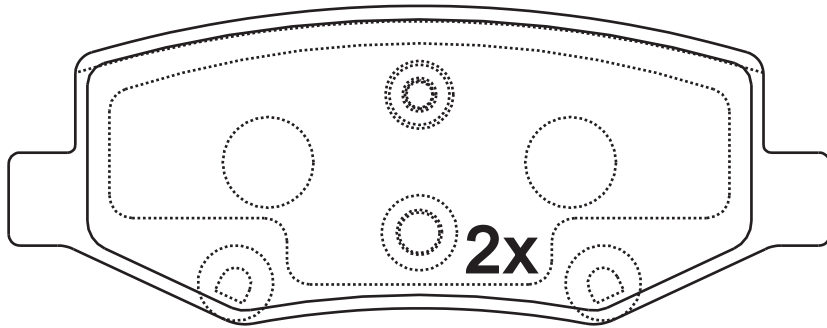
**Thickness
(mm)**

14.7

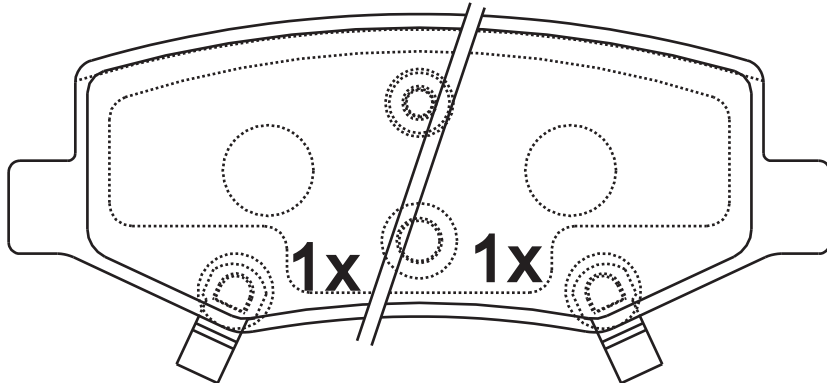


NOTE

4 identical, 1 with acoustic indicator (left), 1 with acoustic indicator (right).



D1888



Apply for:

BYD S6

2013-

SR0673.01

**Dimension
(mm)**

108.8×46.9

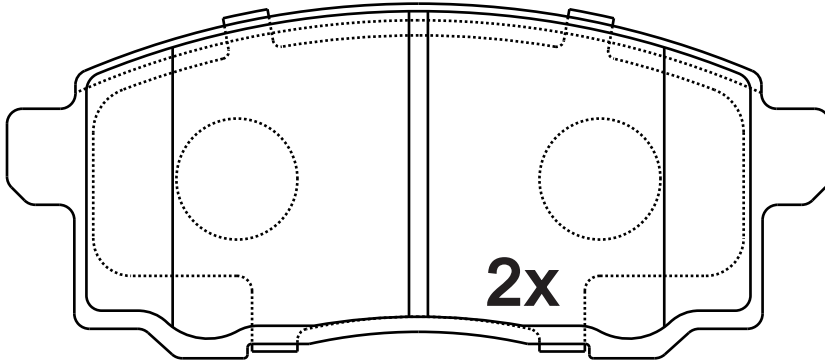
**Thickness
(mm)**

16.8

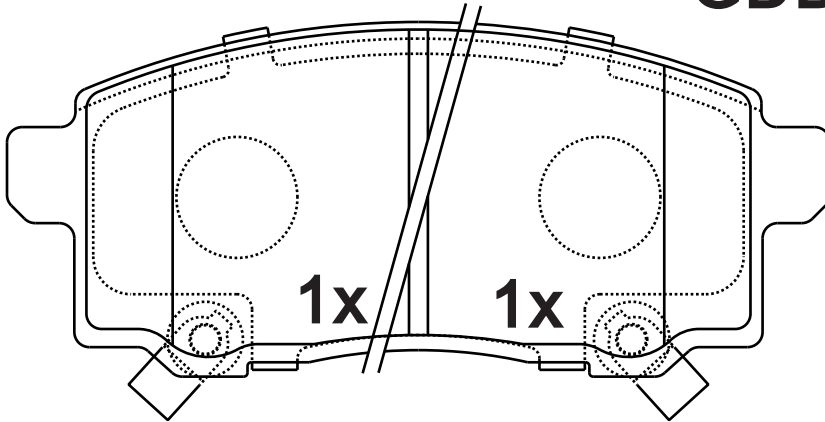


NOTE

2 identical; 2 identical, 1 with acoustic indicator (left), 1 with acoustic indicator (right).



GDB7817



Apply for:

Suzuki (changan) Alto

Hatchback

2009-

SR0674.01

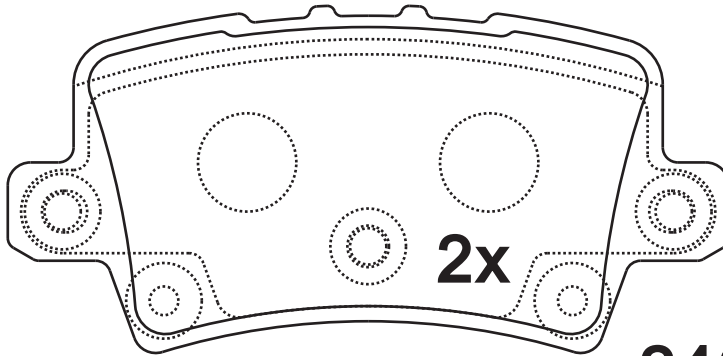
**Dimension
(mm)**

**Thickness
(mm)**

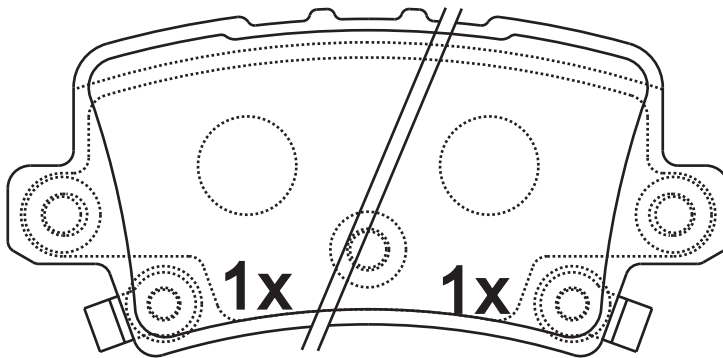


NOTE

2 identical;2 identical;1 with acoustic indicator (left),1 with acoustic indicator(right).



24086




24519

24518

Apply for:

Honda Civic Ix (Fk)
Honda Civic Viii Hatchback

2012/02-
2005/09-

SR0674.02	Dimension (mm)	Thickness (mm)		NOTE



取消 SR0674. 02=SR0674. 01+FJB0280. 01

SR0674

**Dimension
(mm)**

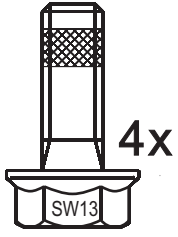
**Thickness
(mm)**



NOTE

附件包

Accessory bag



4x

M8X22

L0020

FJB0280.01



4x

K0500



4x

M8x22

L0020

FJB0674.01

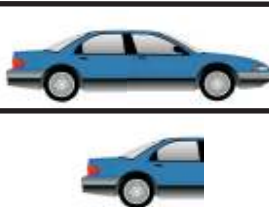
SR0675.01

**Dimension
(mm)**

95.4×43.4

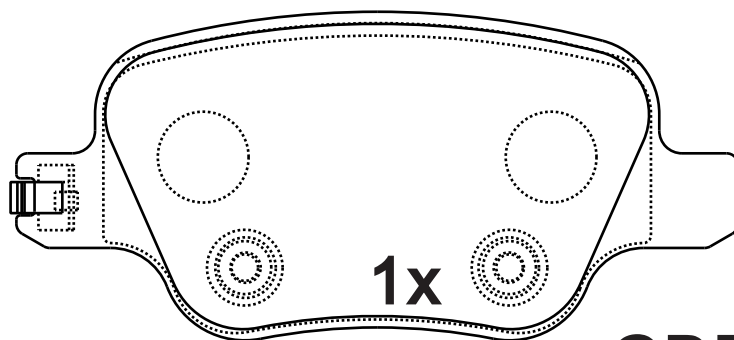
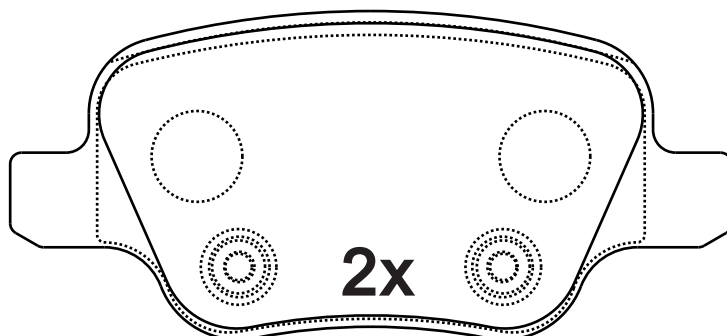
**Thickness
(mm)**

16.7

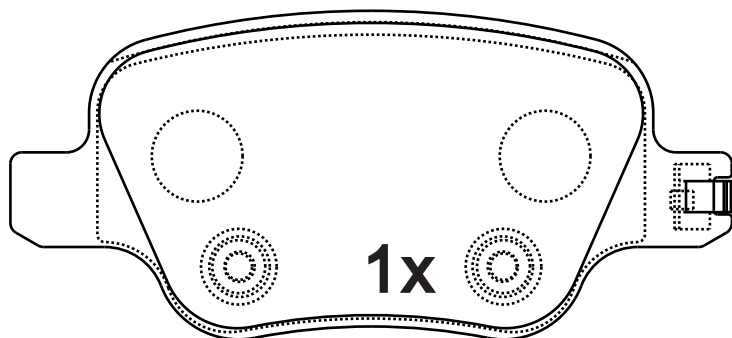


NOTE

4 identical, 1 with acoustic indicator(left), 1 with acoustic indicator(right).



GDB7847



Apply for:

GAC GA5

2011-2013

SR0676.01

**Dimension
(mm)**

137.9×53.2

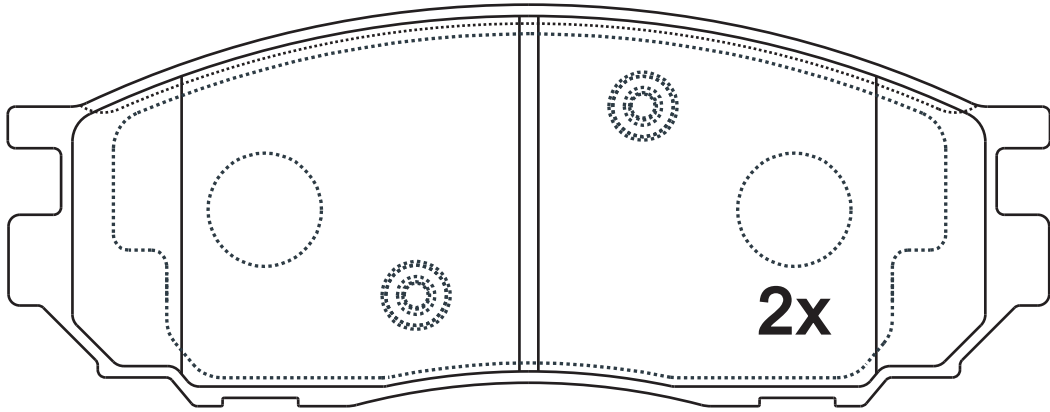
**Thickness
(mm)**

16.4

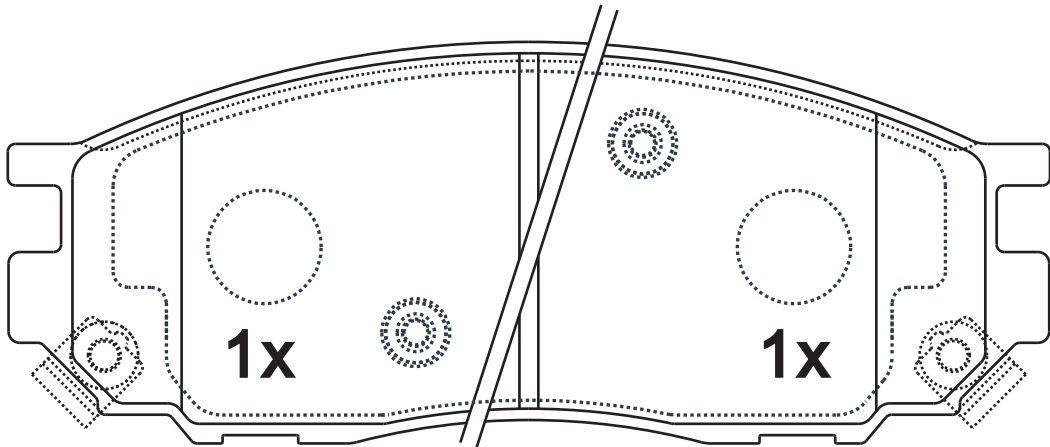


NOTE

2 identical; 2 identical, 1 with acoustic indicator (left), 1 with acoustic indicator (right).



GDB7829



Apply for:

Changan CX30
Changan CX30

Hatchback 2010-
Saloon 2010-

SR0677.01

**Dimension
(mm)**

93.5×46.4

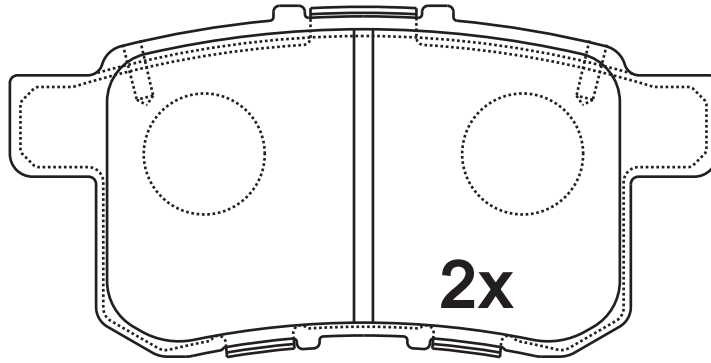
**Thickness
(mm)**

15.3

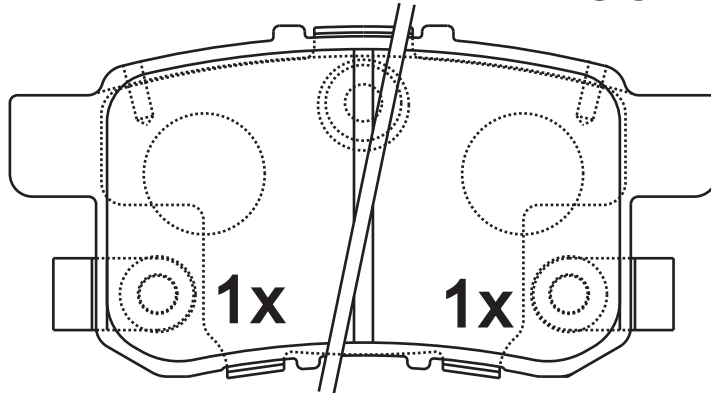


NOTE

2 identical; 2 identical, 1 with acoustic indicator (left), 1 with acoustic indicator (right).



24435



24662

24661

Apply for:

Honda Accord VIII

Saloon

2013-2014

SR0678.01

**Dimension
(mm)**

112.6×46.5

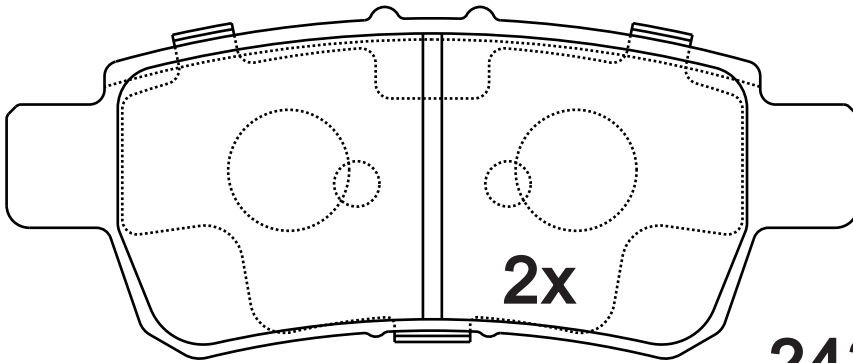
**Thickness
(mm)**

16

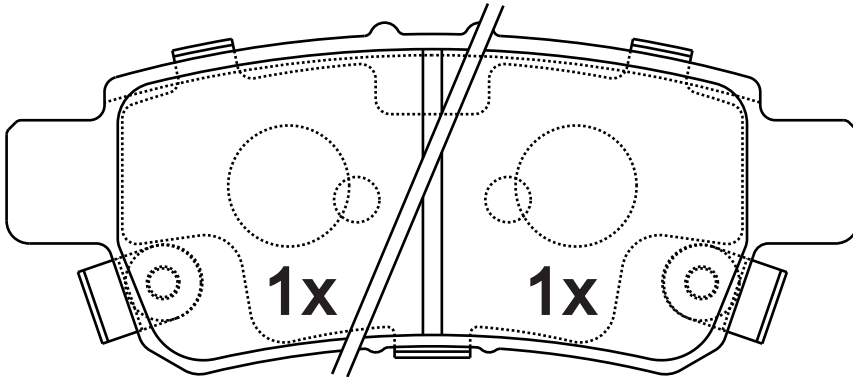


NOTE

2 identical; 2 identical, 1 with acoustic indicator (left), 1 with acoustic indicator (right).



24341



25253

25252

Apply for:

Honda Odyssey

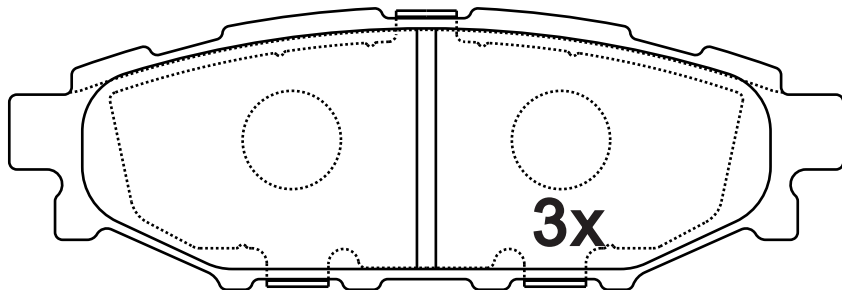
MPV

10.05-

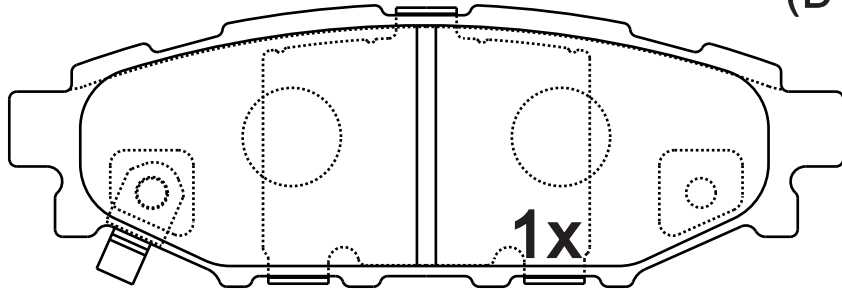
SR0679.01

Dimension (mm)	Thickness (mm)	
110.3×37.2	14.5	

NOTE
2 identical, 1 with acoustic indicator (left), 1 with acoustic indicator (right).



24271
(D1114)



24272

Apply for:

Subaru Forester	Closed off-Road	01.08-
Subaru Impreza	Saloon	01.11-
Subaru Legacy IV	Saloon	09.03-
Subaru Legacy IV	Estate	09.03-
Subaru Legacy V	Saloon	09.09-
Subaru Legacy V	Estate	09.09-
Subaru XV	Closed off-Road	03.12-
Toyota Gt86	Coupe	03.12-

SR0679.02**Dimension
(mm)**

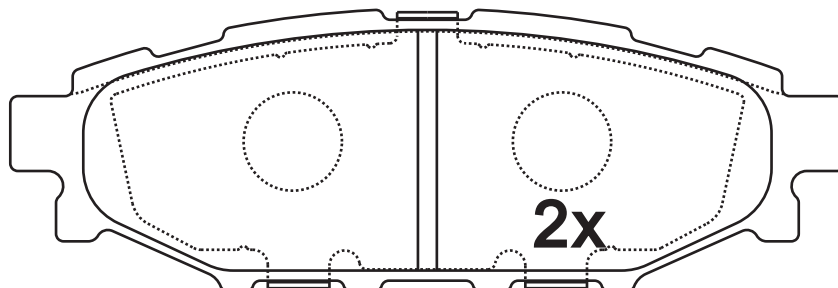
110.3×37.2

**Thickness
(mm)**

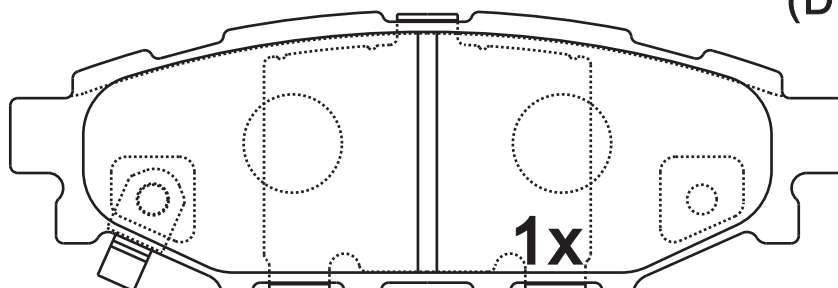
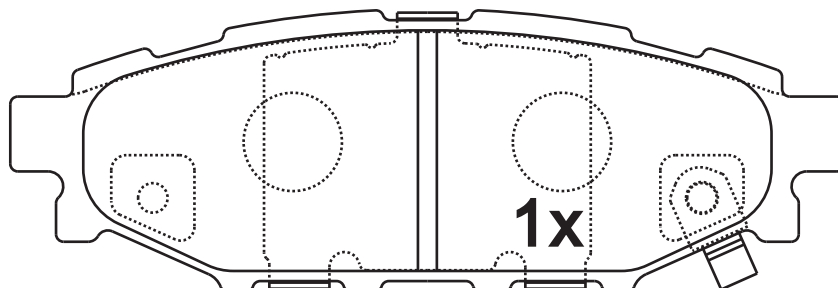
14.5

**NOTE**

2 identical; 2 identical, 1 with acoustic indicator (left), 1 with acoustic indicator (right).

**2x****24271**

(D1114)

**1x****24272****1x****Apply for:**

Subaru Forester	Closed off-Road	01.08-
Subaru Impreza	Saloon	01.11-
Subaru Legacy IV	Saloon	09.03-
Subaru Legacy IV	Estate	09.03-
Subaru Legacy V	Saloon	09.09-
Subaru Legacy V	Estate	09.09-
Subaru XV	Closed off-Road	03.12-
Toyota Gt86	Coupe	03.12-

SR0680.01

**Dimension
(mm)**

136.7×57.2/55.8

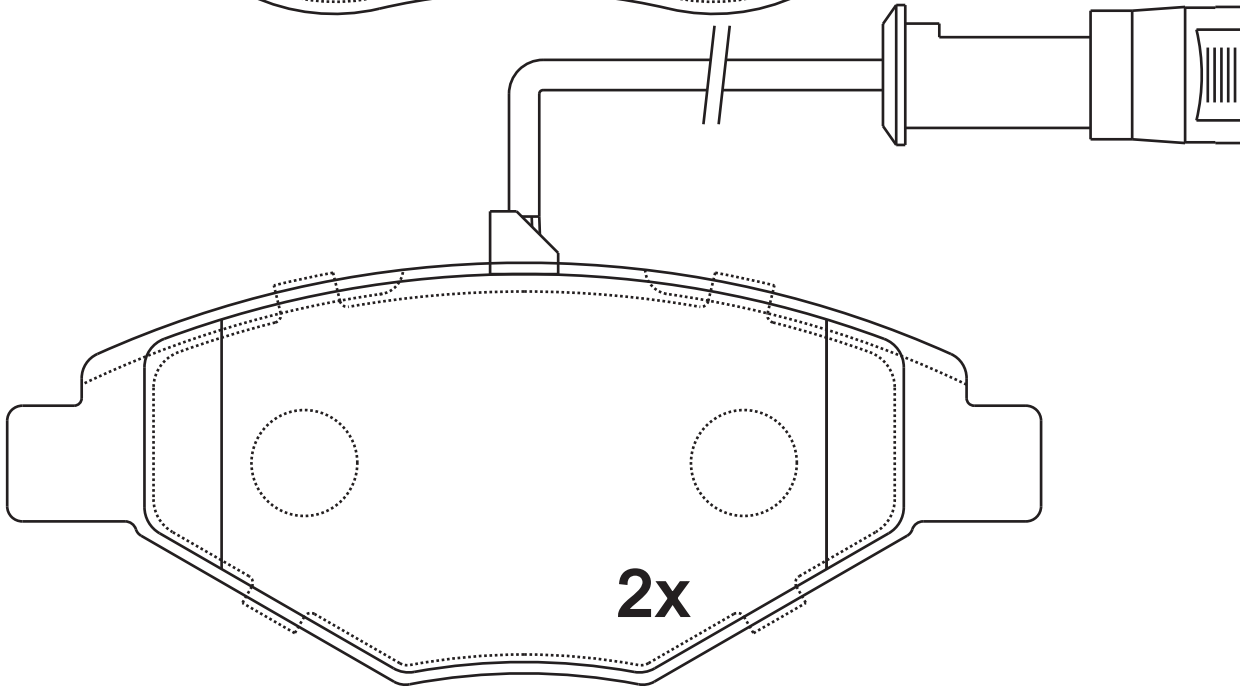
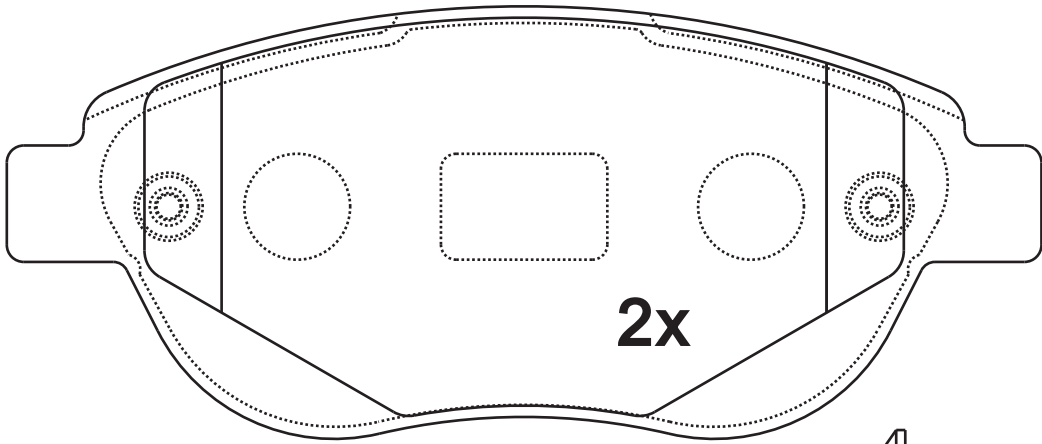
**Thickness
(mm)**

19



NOTE

**2 identical; 2 identical
with warn indicator.**



Apply for:

JIANGHUAI BINYUE

2008-2009

SR0680.02

**Dimension
(mm)**

136.7×56.3

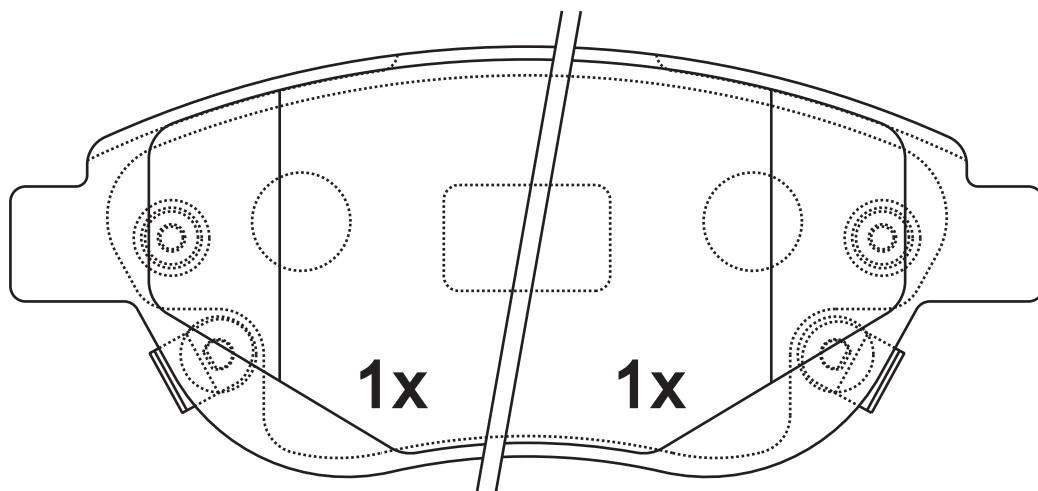
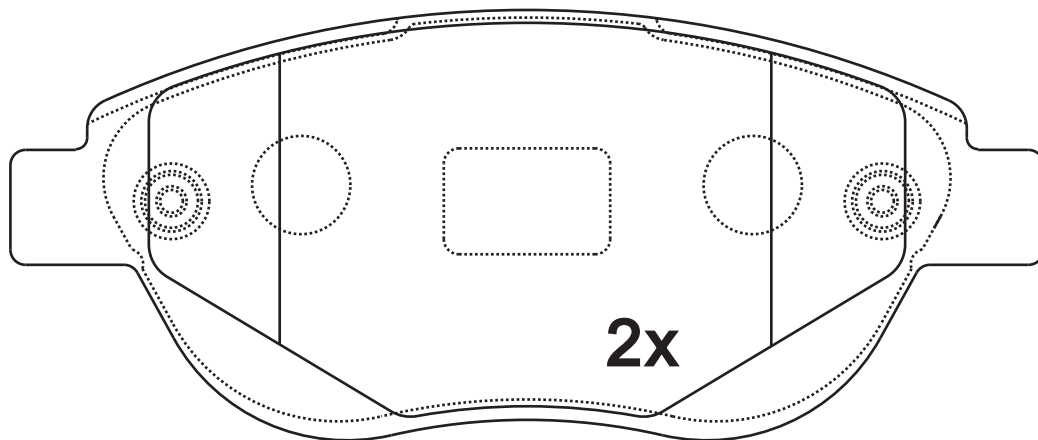
**Thickness
(mm)**

17.4



NOTE

**2 identical; 2 identical
with warn indicator.**



QW12701
QW13206

Apply for:

东风风行

版次: A/3

SR0680.04

**Dimension
(mm)**

136.7×56.3

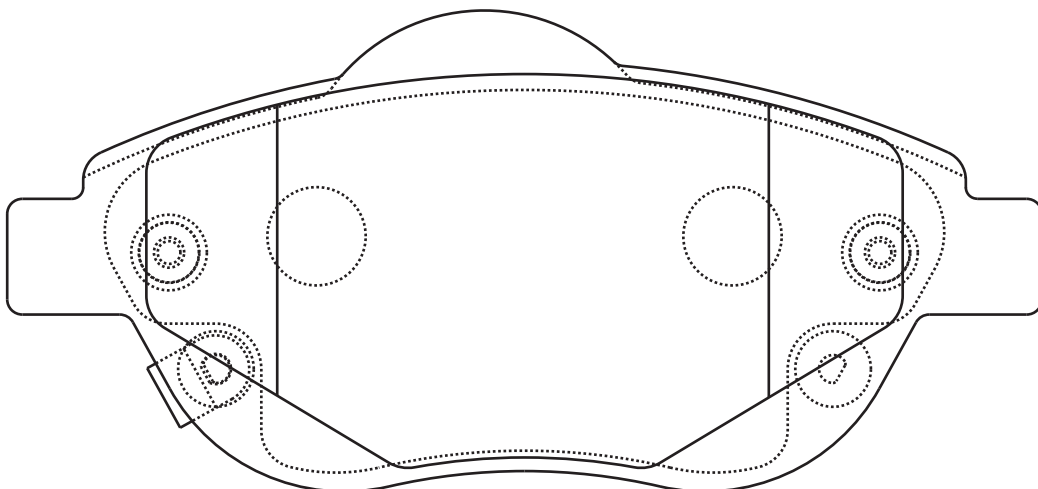
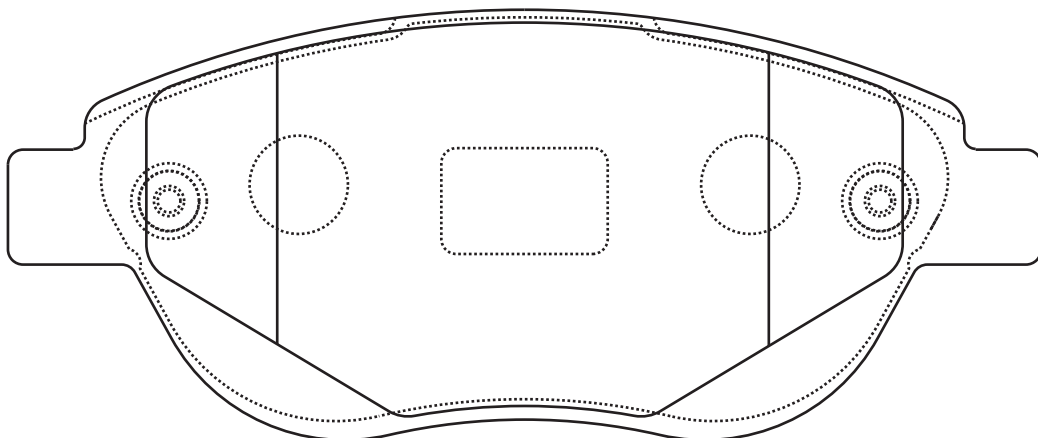
**Thickness
(mm)**

18.8

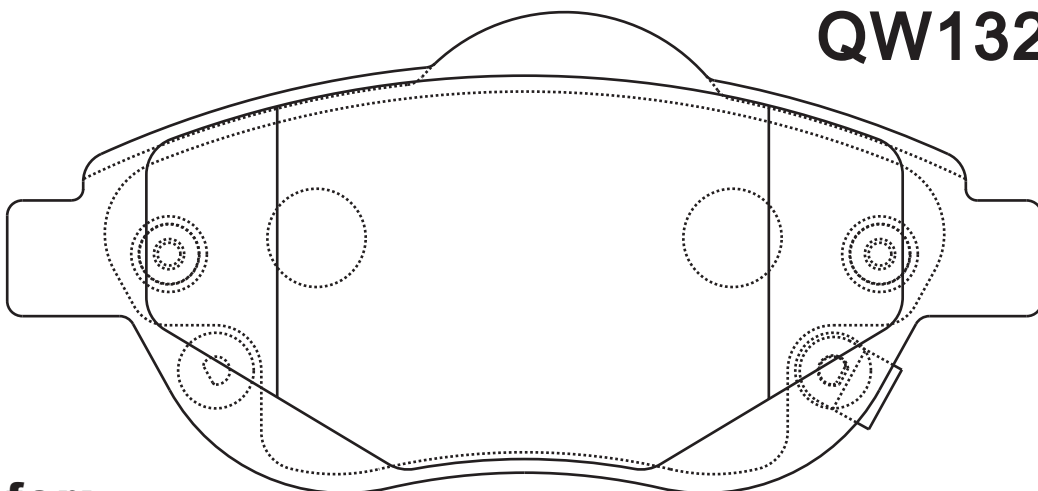


NOTE

**2 identical; 2 identical
with warn indicator.**



QW13215



Apply for:

帝豪GS

版次: A/3

SR0681.01

**Dimension
(mm)**

**Thickness
(mm)**

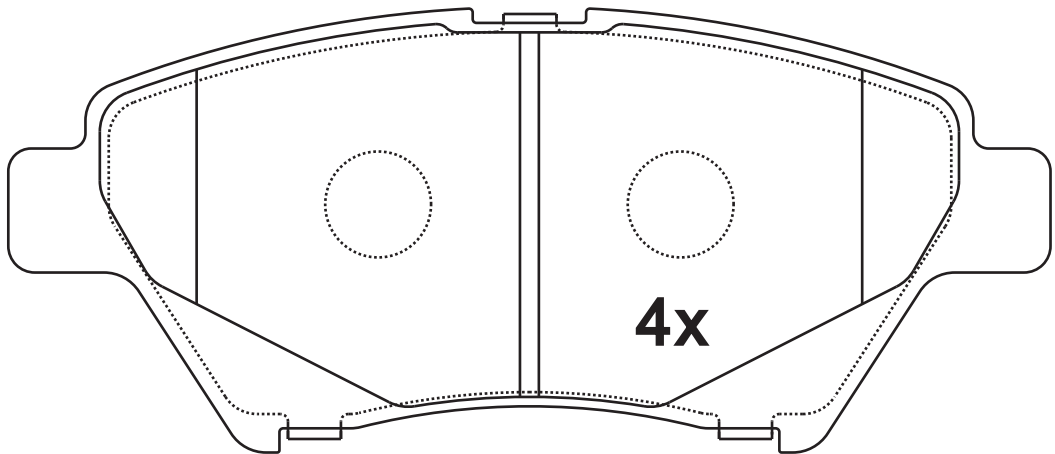


NOTE

4 identical;

137.8×58.7

17.2



GDB7927

Apply for:

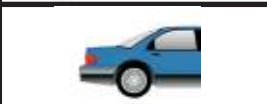
东风风行景逸

版次: A/3

SR0682.01

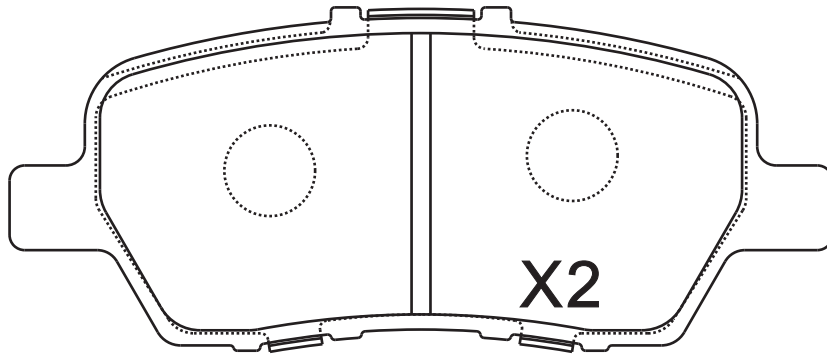
**Dimension
(mm)**

**Thickness
(mm)**

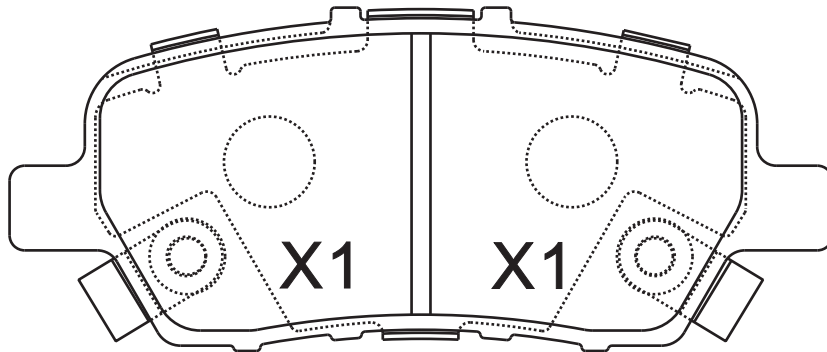


NOTE

2 identical, 1 with
acoustic indicator(left),
1 with acoustic indicator
(right).



25544



25545

25546

Apply for:

Honda Odyssey
Honda (Guangzhou) Odyssey Mpv

1998/09-
2002/04-2009/08

SR0683.01

**Dimension
(mm)**

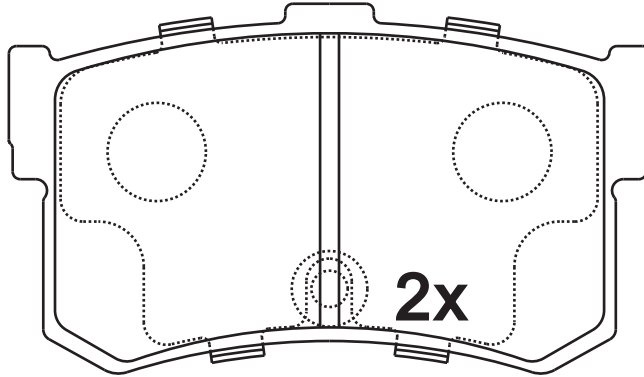
84.8×48.9

**Thickness
(mm)**

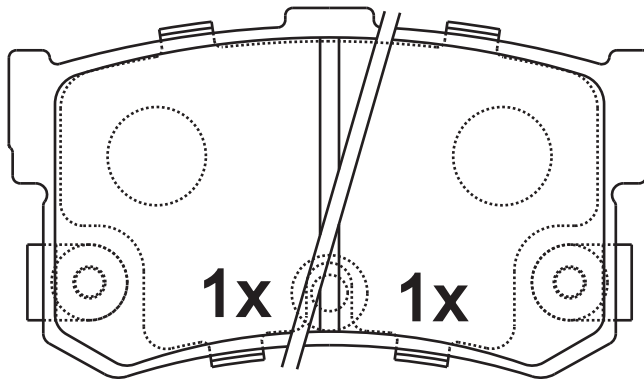
15



NOTE



20029



20078

20079

Apply for:

- Acura Legend 1986
- Acura Legend Sedan 1987-1988
- Hyundai Sonata 1995-1998

SR0684.01

**Dimension
(mm)**

137.6×55.6

**Thickness
(mm)**

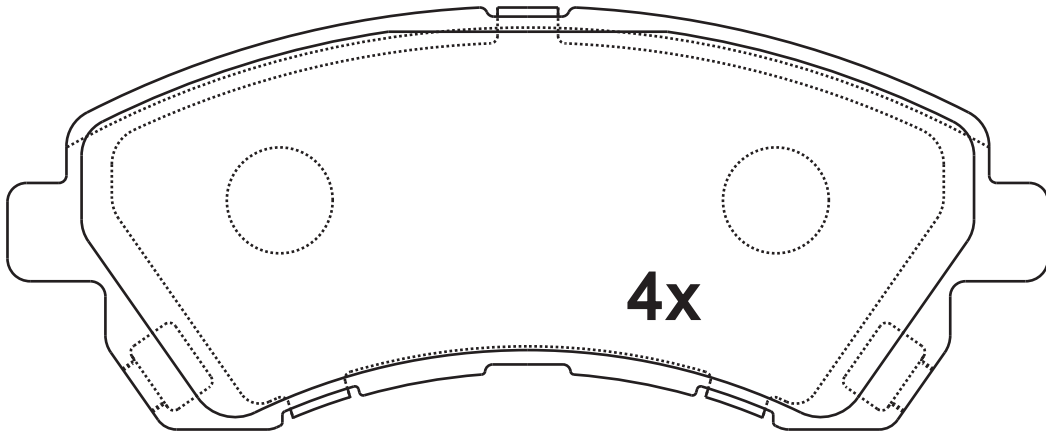
16



NOTE

4 identical;

无模具



Apply for:

东南 富利卡

SR0685.01

**Dimension
(mm)**

115×45.5

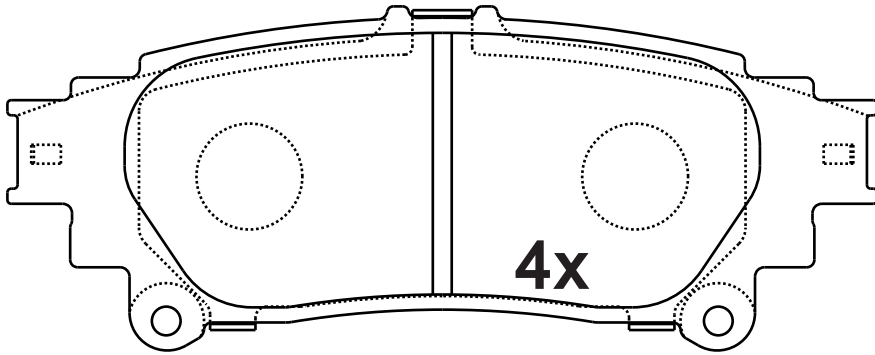
**Thickness
(mm)**

15



NOTE

4 identical;



**24918
D1391**

Apply for:

Lexus RX350	2010-2015
Lexus RX450h	2010-2015
Toyota Highlander	2014-2015
Toyota Sienna	2011-2015

SR0685.02

**Dimension
(mm)**

115×45.5

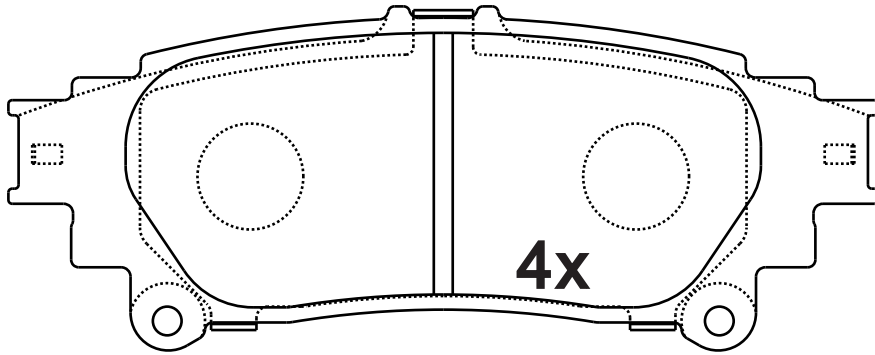
**Thickness
(mm)**

16.8



NOTE

4 identical;



**25525
D1391**

Apply for:

Lexus RX350	2010-2015
Lexus RX450h	2010-2015
Toyota Highlander	2014-2015
Toyota Sienna	2011-2015

SR0686.01**Dimension
(mm)**

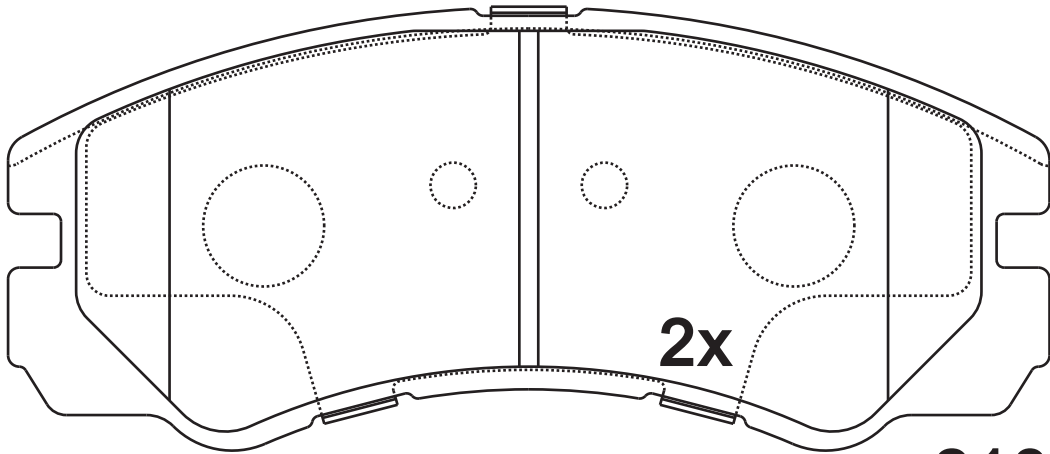
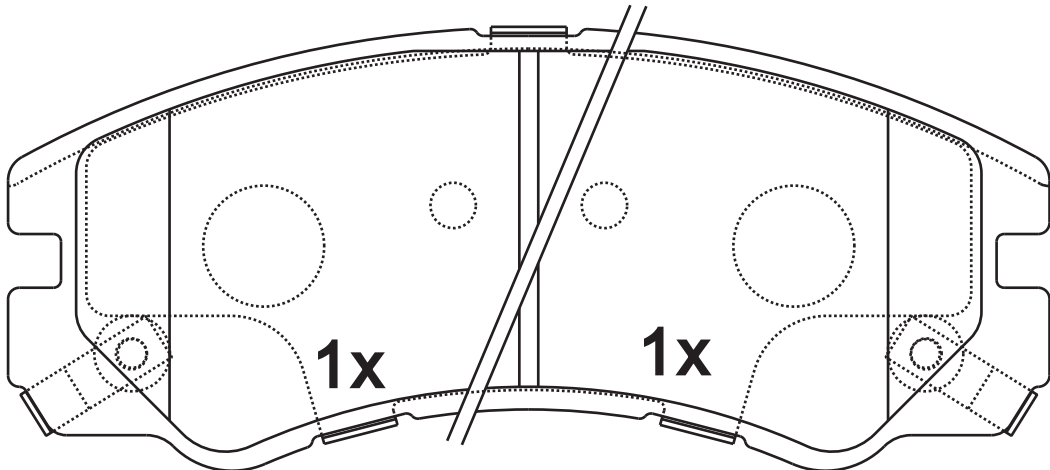
137.7X58.4

**Thickness
(mm)**

16.8

**NOTE**

2 identical; 2 identical, 1 with acoustic indicator (left), 1 with acoustic indicator (right).

**21845****21846****21847****Apply for:**

Acura SLX	1996-1999
Honda Passport	2000-2001
Honda Passport 4 Cyl	1996
Honda Passport 6 Cyl	1994-1995
Isuzu Amigo	1994
Isuzu Amigo 4WD	2000
Isuzu Amigo RWD	2000
Isuzu Axiom 4WD	2002
Isuzu Axiom RWD	2002
Isuzu Rodeo	1993-1995
Isuzu Rodeo 4WD	2000-2001
Isuzu Rodeo RWD	2000-2001
Isuzu Rodeo Sport 4WD	2001

SR0686.02

**Dimension
(mm)**

137.7X58.6

**Thickness
(mm)**

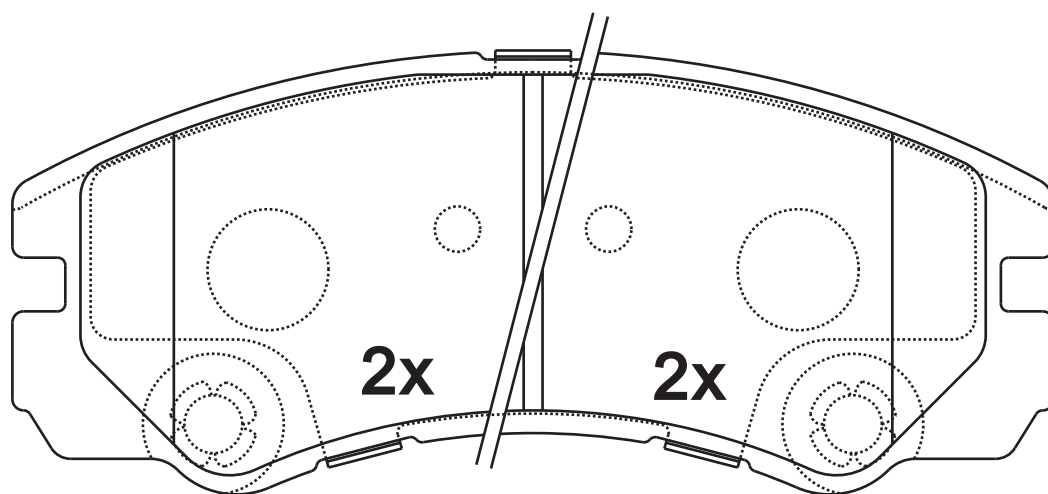
17



NOTE

**4 identical, 1 with
acoustic indicator (left),
1 with acoustic indicator
(right).**

无模具



**21845/21869/23250/23251
GDB1436**

Apply for:

Opel Frontera A (U92)
Qingling Rodeo Closed Off-Road Vehicle
Vauxhall Frontera Mk I (A) (U92)

1992/03-1998/10
1998/01-2010/12
1991/09-1998/10

SR0686.03**Dimension
(mm)**

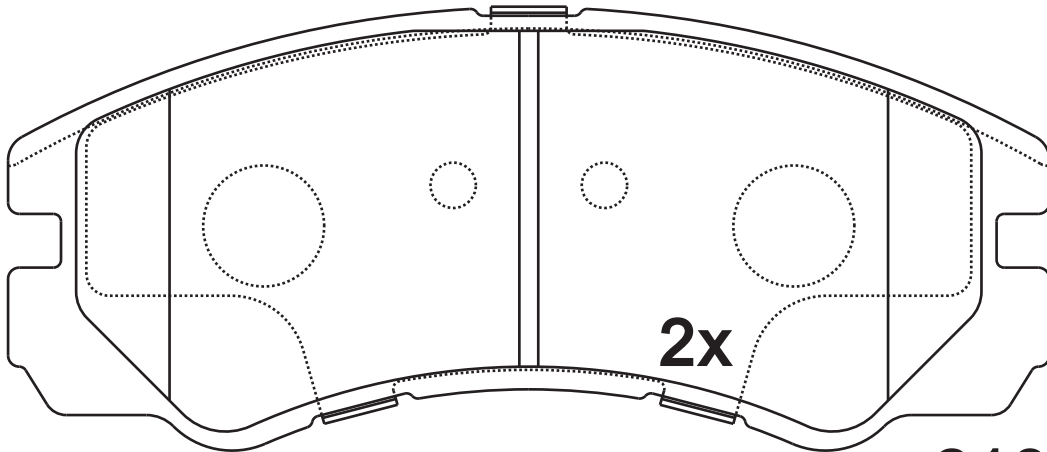
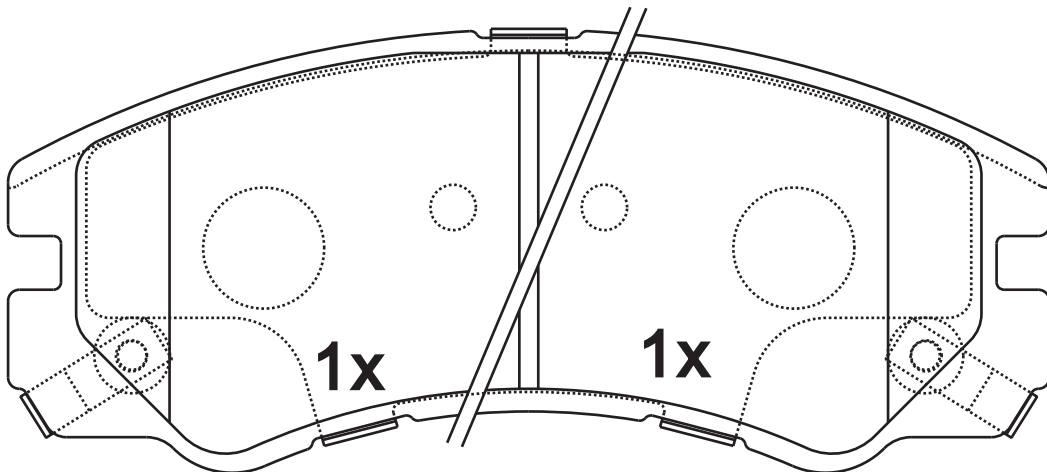
137.7X58.4

**Thickness
(mm)**

15.5

**NOTE**

2 identical; 2 identical, 1 with acoustic indicator (left), 1 with acoustic indicator (right).

**21845****21846****21847****Apply for:**

Acura SLX	1996-1999
Honda Passport	2000-2001
Honda Passport 4 Cyl	1996
Honda Passport 6 Cyl	1994-1995
Isuzu Amigo	1994
Isuzu Amigo 4WD	2000
Isuzu Amigo RWD	2000
Isuzu Axiom 4WD	2002
Isuzu Axiom RWD	2002
Isuzu Rodeo	1993-1995
Isuzu Rodeo 4WD	2000-2001
Isuzu Rodeo RWD	2000-2001
Isuzu Rodeo Sport 4WD	2001

SR0687.01

**Dimension
(mm)**

151.4X51.1
150.5X54.3

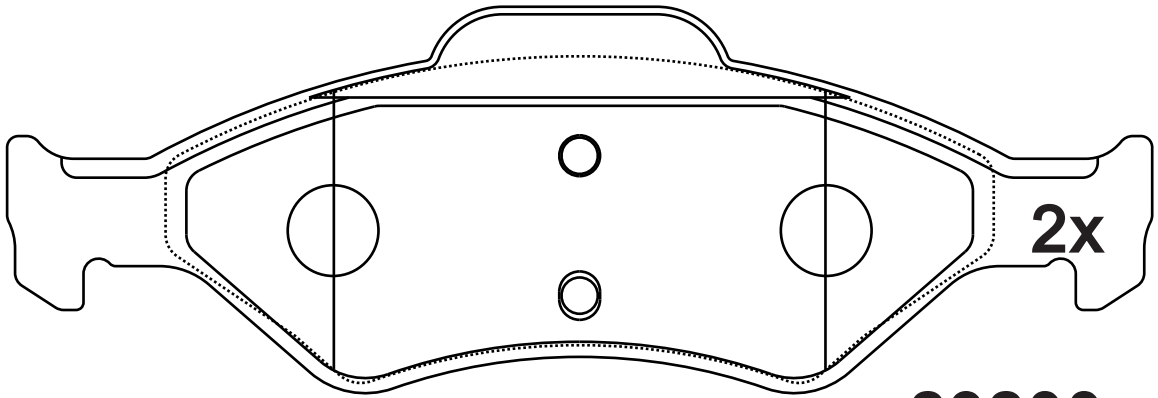
**Thickness
(mm)**

18.5

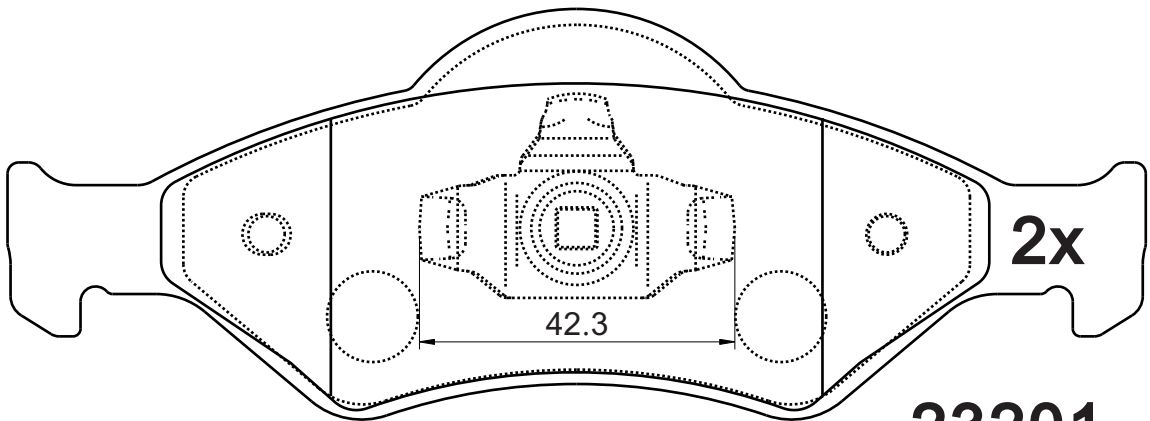


NOTE

**2 identical; 2 identical
with spring.**



23200



23201

Apply for:

FORD Fiesta (Latin America) 1999-2002

FORD TRUCK Courier (Latin America) 2001-2005

SR0688.01

**Dimension
(mm)**

131.9X59.6

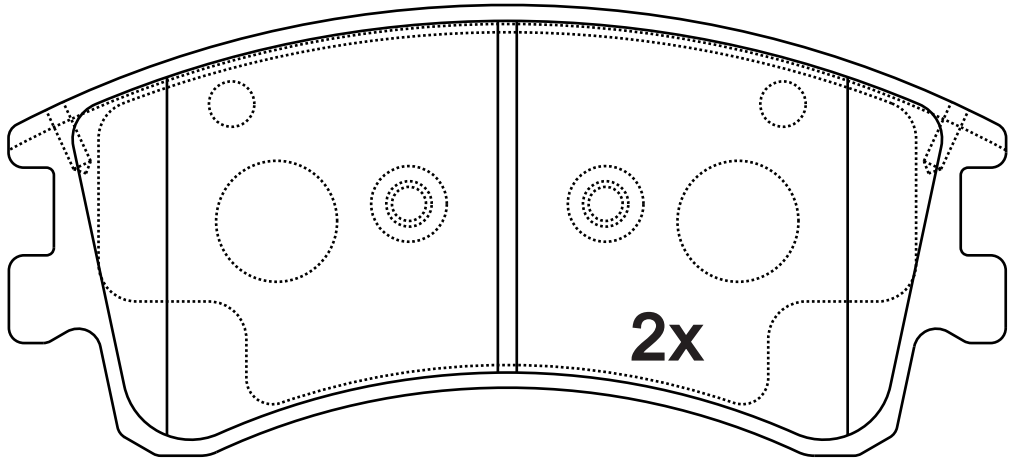
**Thickness
(mm)**

18.6

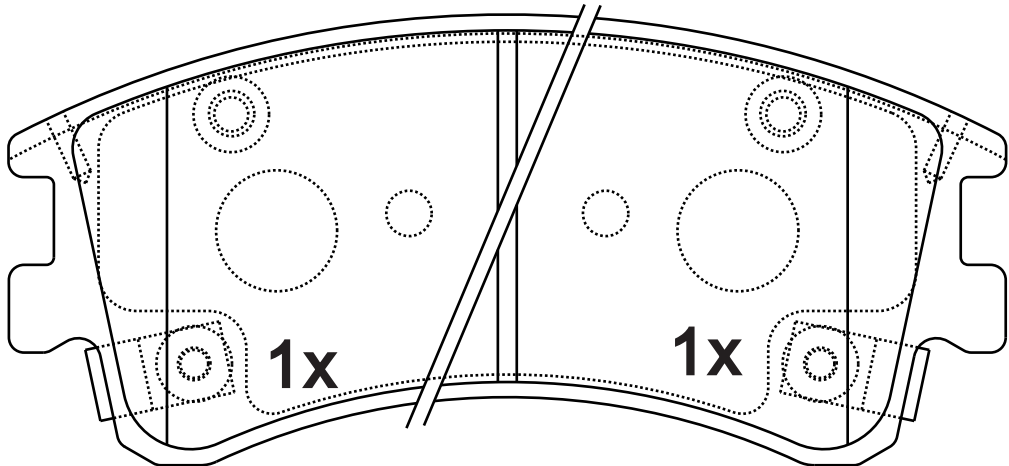


NOTE

2 identical; 2 identical, 1 with acoustic indicator (left), 1 with acoustic indicator (right).



24046



24047

24048

Apply for:

MAZDA 6 2003-2005

SR0688

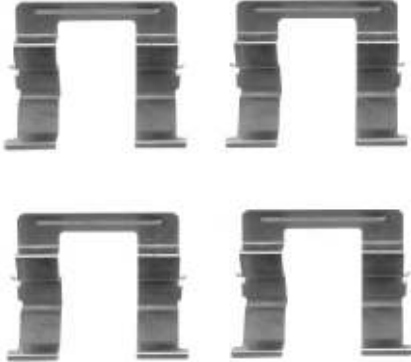
**Dimension
(mm)**

**Thickness
(mm)**



NOTE

**附件包
Accessory bag**



K0501

FJB0688.01

SR0689.01

**Dimension
(mm)**

194X68.3

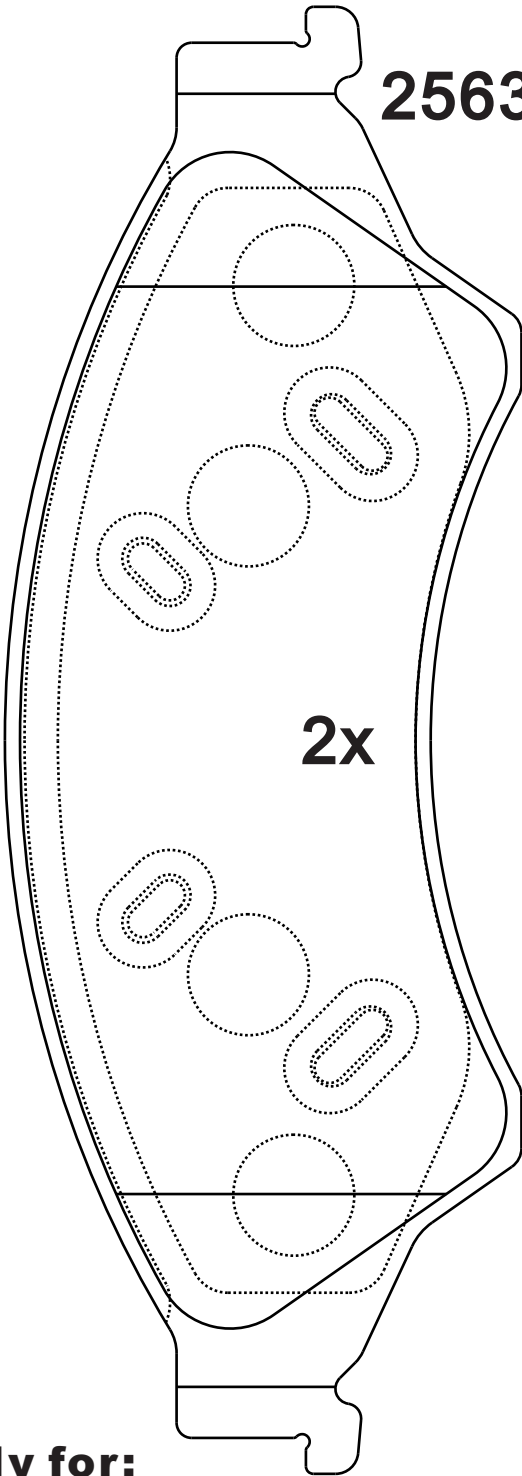
**Thickness
(mm)**

16.5



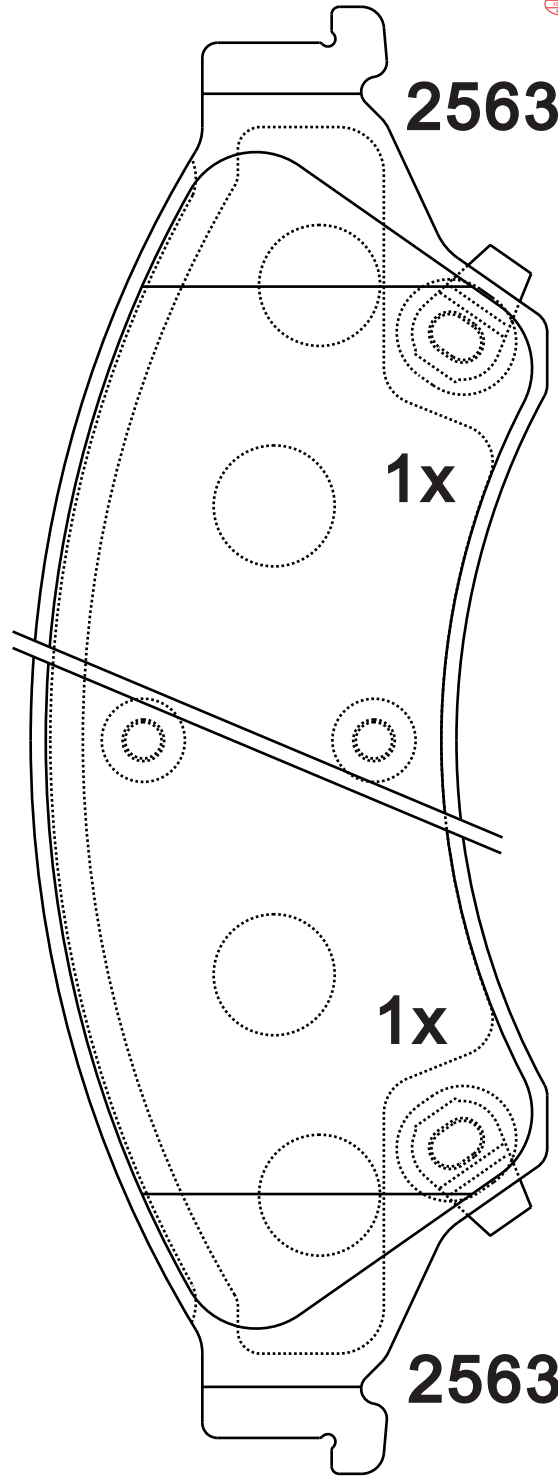
NOTE

2 identical; 2 identical, 1 with acoustic indicator (left), 1 with acoustic indicator (right).



25632

2x



25634

1x

1x

25633

Apply for:

FORD TRUCK Ranger (Latin America) 2013-2014
MAZDA BT-50 (China) 2012

SR0689

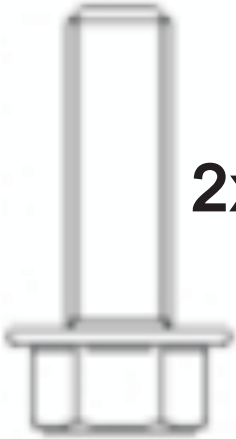
**Dimension
(mm)**

**Thickness
(mm)**



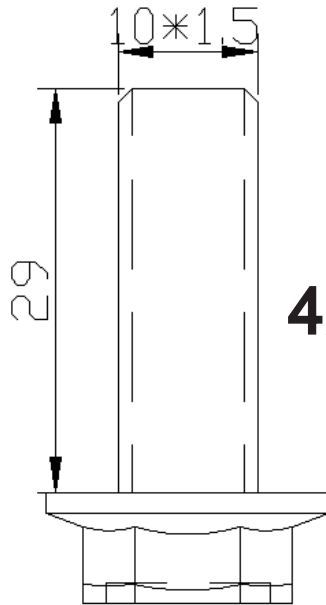
NOTE

**附件包
Accessory bag**



2x

M10X1.5X29
L0046
FJB0689.01



4x

L0046
M10X1.5X29
FJB0689.02

SR0690.01

**Dimension
(mm)**

152.4X72.9
123.2X66

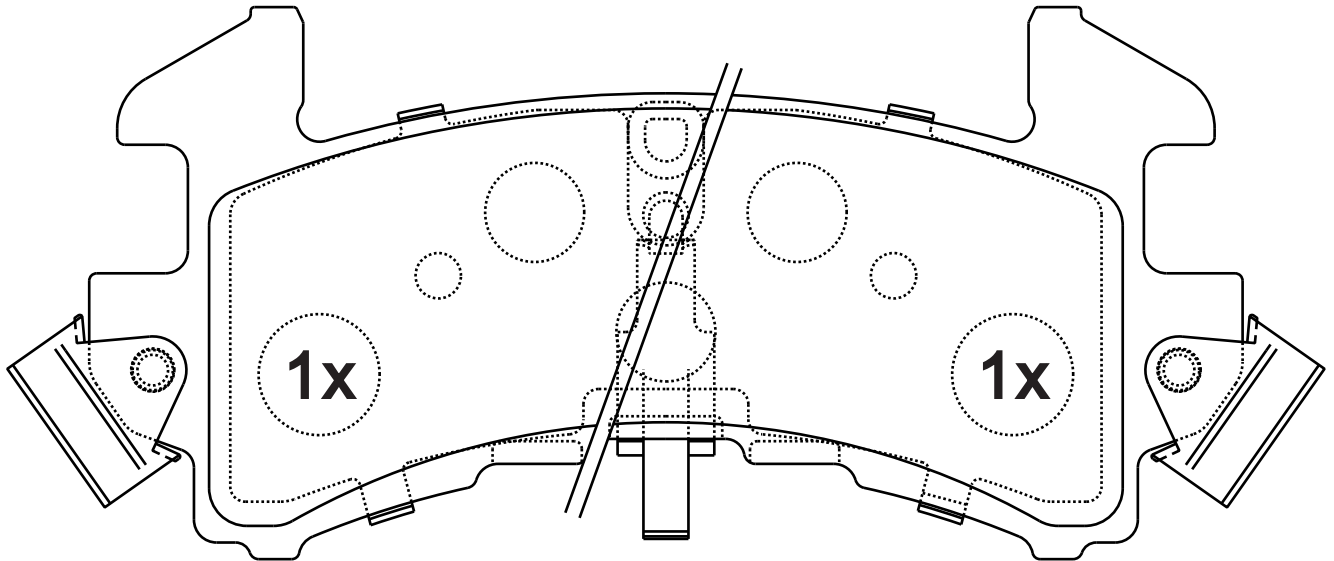
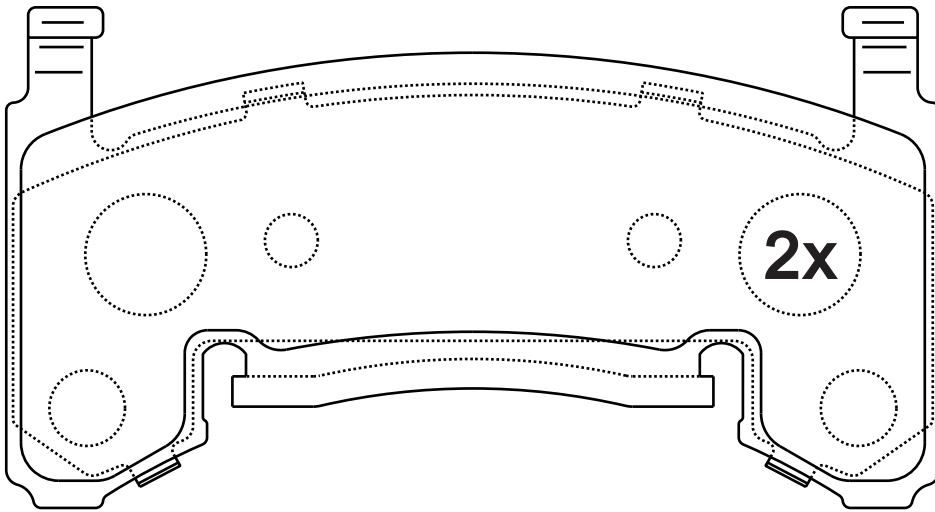
**Thickness
(mm)**

14



NOTE

2 identical; 2 identical, 1 with acoustic indicator (left), 1 with acoustic indicator (right).



GDB1272

Apply for:

- | | |
|-------------------------|-----------|
| Buick Riviera | 1985- |
| Chevrolet Truck S10 RWD | 1998-2002 |
| Gmc Truck Typhoon | 1992-1993 |
| Isuzu Hombre 2WD | 1998-2000 |
| Oldsmobile Toronado | 1985- |
| Pontiac Grand Prix | 1978-1981 |

SR0691.01

**Dimension
(mm)**

151.4X52.4

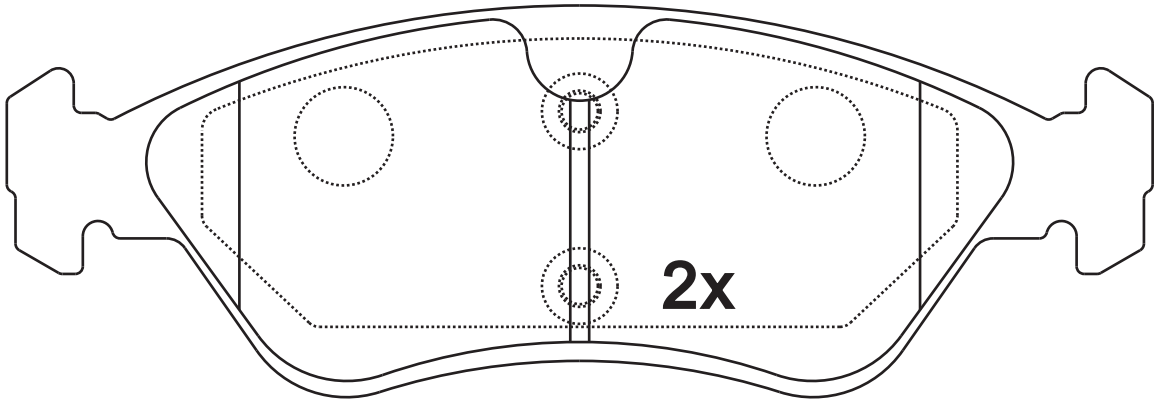
**Thickness
(mm)**

18.3

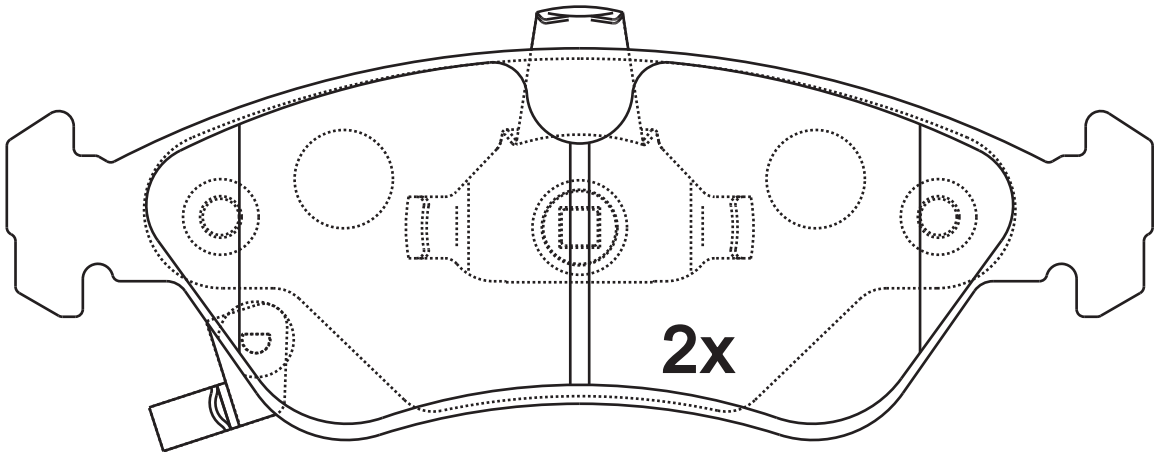


NOTE

2 identical; 2 identical, 1 with acoustic indicator (right).



23451





23450

Apply for:

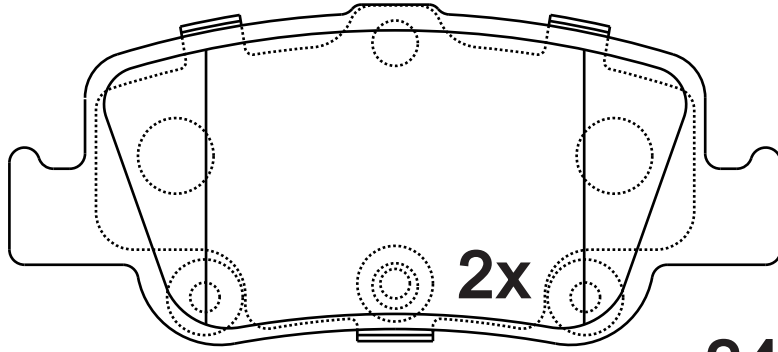
Kia Clarus (K9A)
Kia Clarus Estate (Gc)

1996/05-2001/11
1998/05-

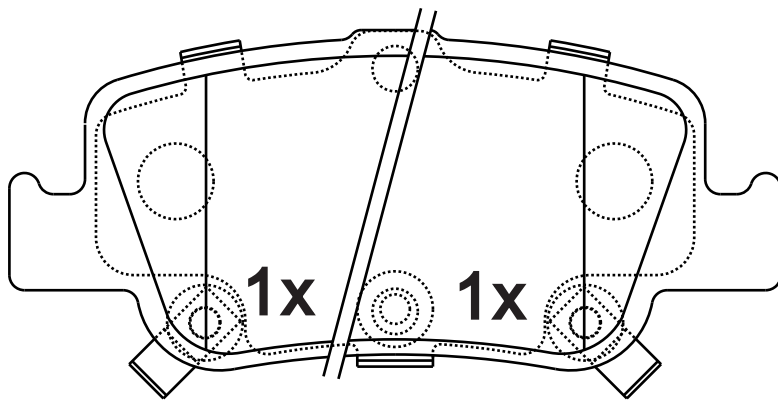
SR0692.01

Dimension (mm)	Thickness (mm)	
102X45	15.2	

NOTE
2 identical;2 identical,1 with acoustic indicator (left),1 with acoustic indicator(right).



24664



24666

24665

Apply for:

Toyota Corolla (Latin America)

2007-2011

SR0692

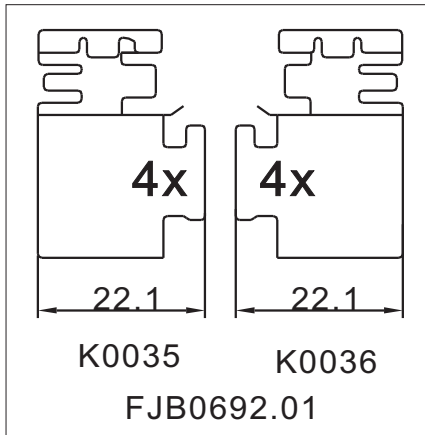
**Dimension
(mm)**

**Thickness
(mm)**



NOTE

**附件包
Accessory bag**



SR0693.01

**Dimension
(mm)**

143.5X67.1

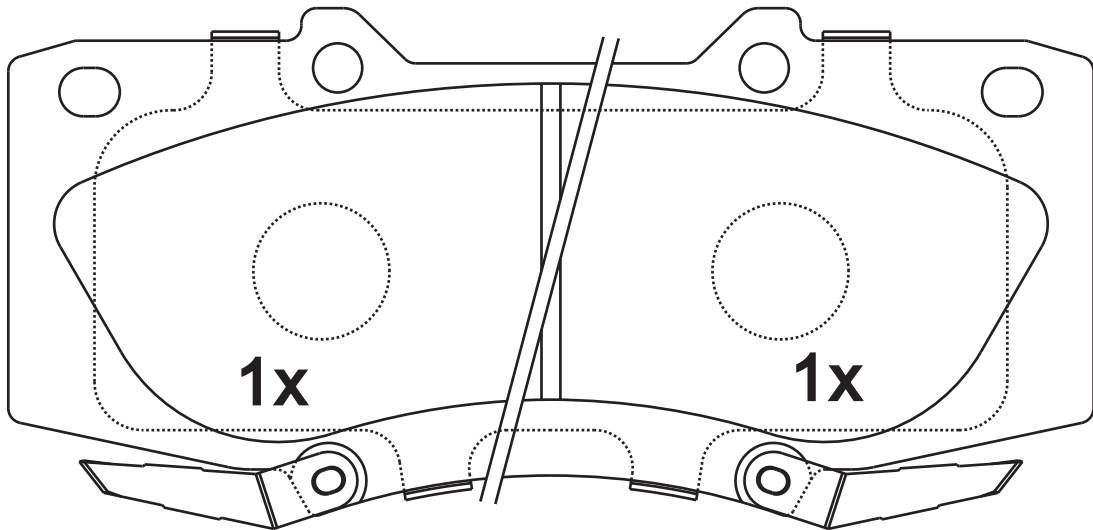
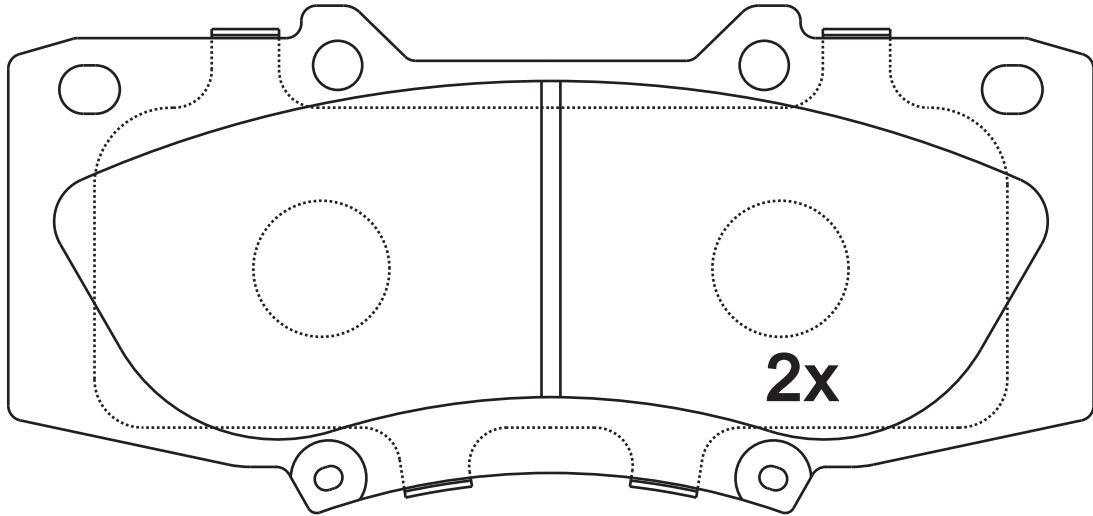
**Thickness
(mm)**

17



NOTE

2 identical; 2 identical, 1 with acoustic indicator (left), 1 with acoustic indicator (right).



25209

25210

Apply for:

TOYOTA Hi-Lux (Latin America) 2005-2012

SR0693.02

**Dimension
(mm)**

143.5X67.1

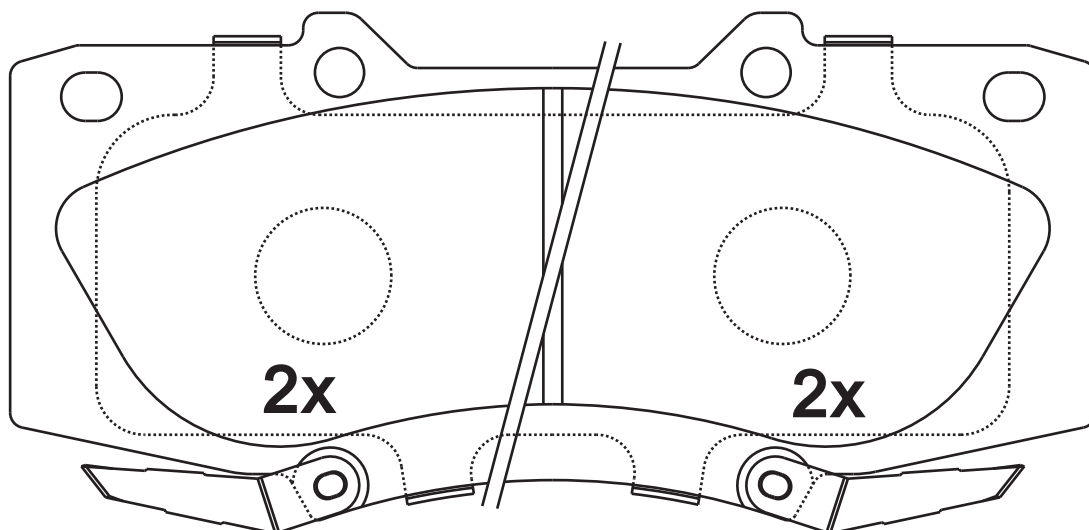
**Thickness
(mm)**

17



NOTE

2 identical;2 identical,1 with acoustic indicator (left),1 with acoustic indicator(right).



25209

25210

Apply for:

Toyota Hi-Lux (Latin America)

2005-2012

SR0694.01

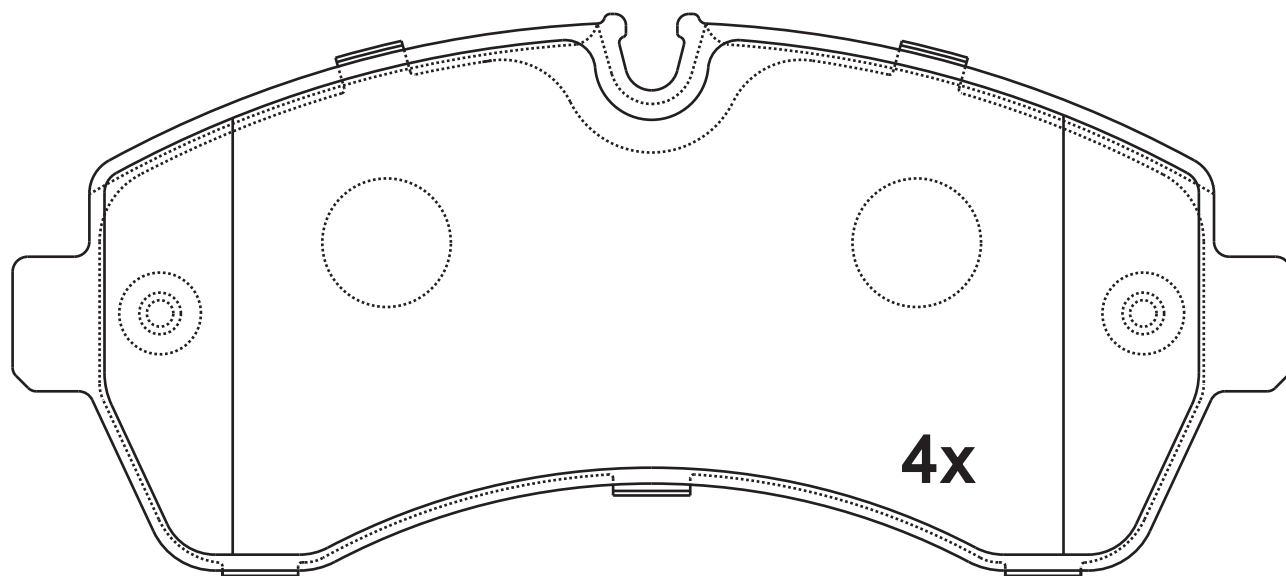
**Dimension
(mm)**

**Thickness
(mm)**



NOTE

4 identical;



29200

Apply for:

DODGE TRUCK Sprinter 3500 2007-2009

FREIGHTLINER Sprinter 3500 2011

MERCEDES (COMMERCIAL) Sprinter 3500 2010

WORKHORSE W42 10000 GVW 2005-2007

SR0694

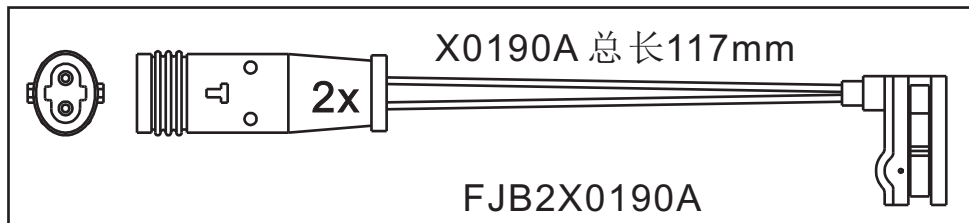
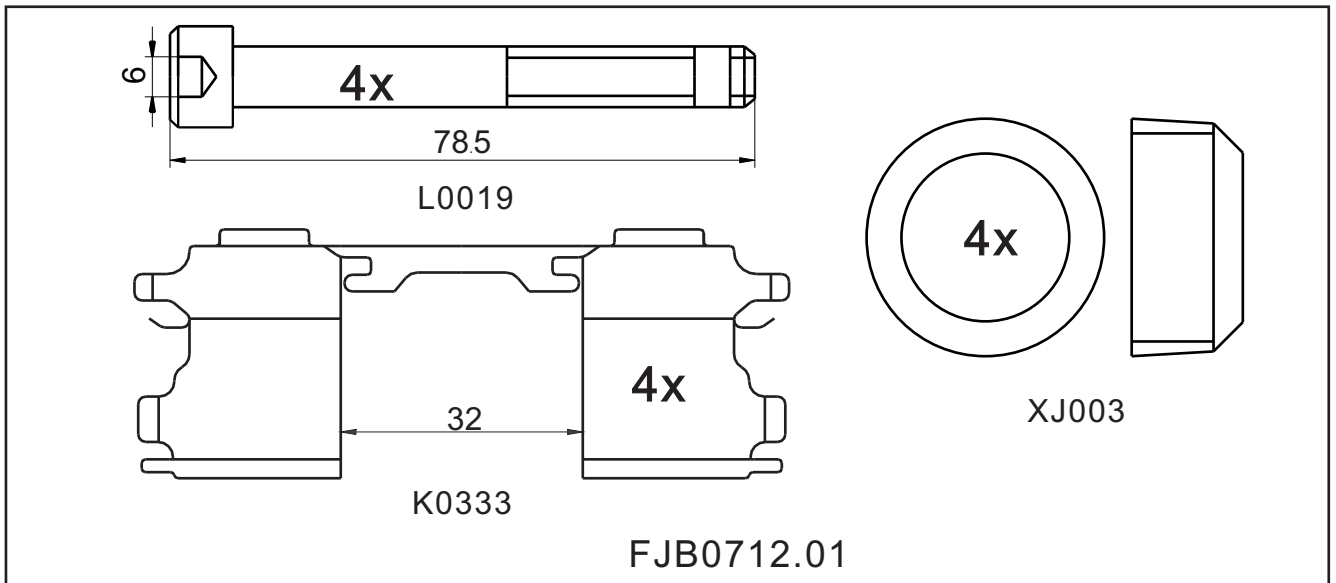
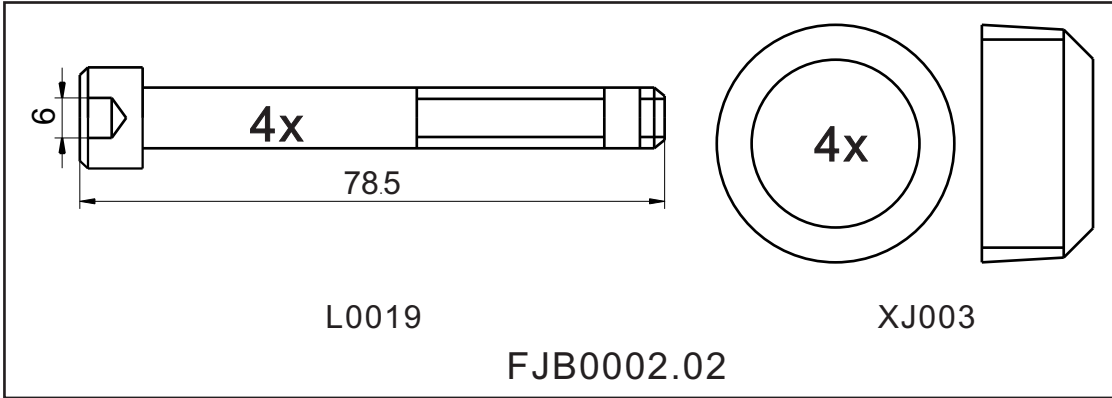
**Dimension
(mm)**

**Thickness
(mm)**



NOTE

**附件包
Accessory bag**



SR0695.01

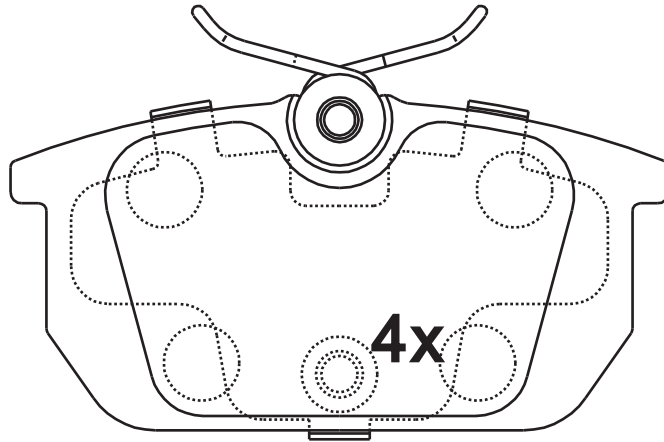
**Dimension
(mm)**

**Thickness
(mm)**



NOTE

4 identical;



21103

Apply for:

Fiat Tempra (159)

1990/03-1998/12

SR0695

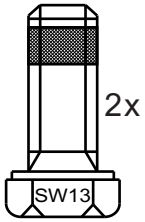
**Dimension
(mm)**

**Thickness
(mm)**



NOTE

**附件包
Accessory bag**



M8×21
L0010
FJB0003.01

SR0696.01

**Dimension
(mm)**

**Thickness
(mm)**



NOTE

the same to SR0494

SR0697.01

**Dimension
(mm)**

**Thickness
(mm)**

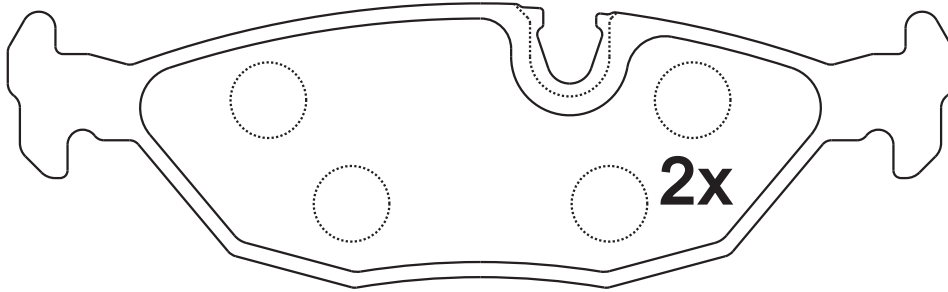


NOTE

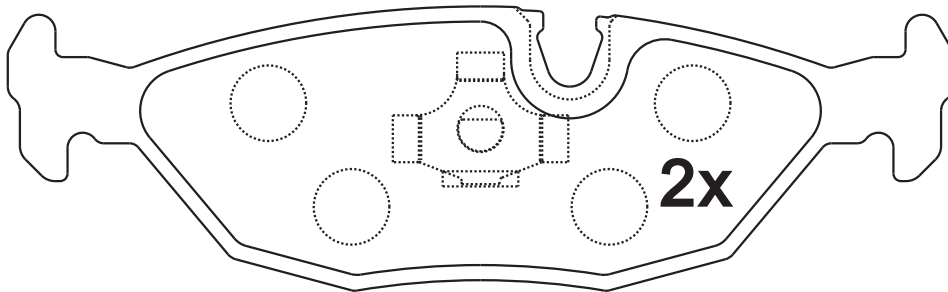
**2 identical; 2 identical
with spring.**

125X37.6

17



20675



20756

Apply for:

BMW 318i	1991
BMW 318i Convertible	1992
BMW 318is	1991
BMW 325	1984-1988
BMW 325e	1984-1987
BMW 325es	1986-1987
BMW 325i	1987-1993
BMW 325is	1987-1991
BMW 325iX	1988-1991
BMW 524td	1985-1986

SR0698.01

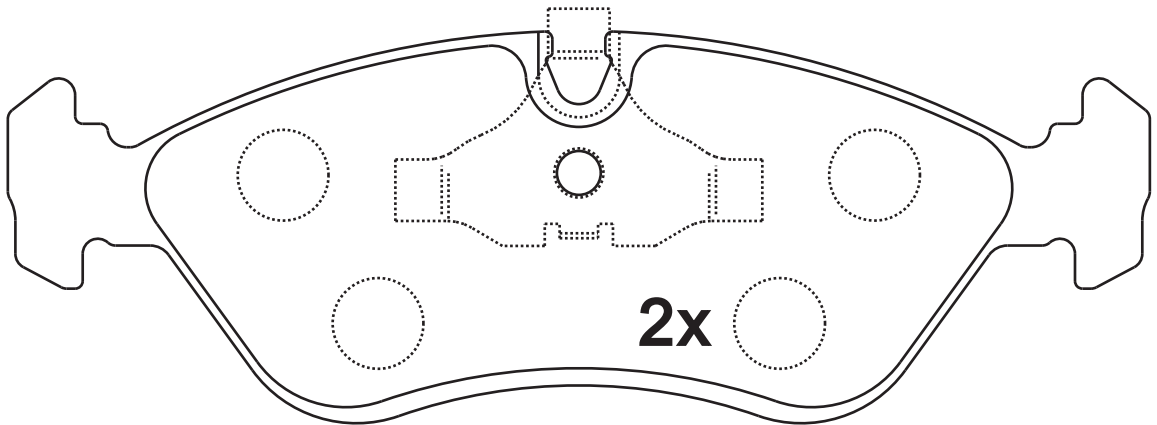
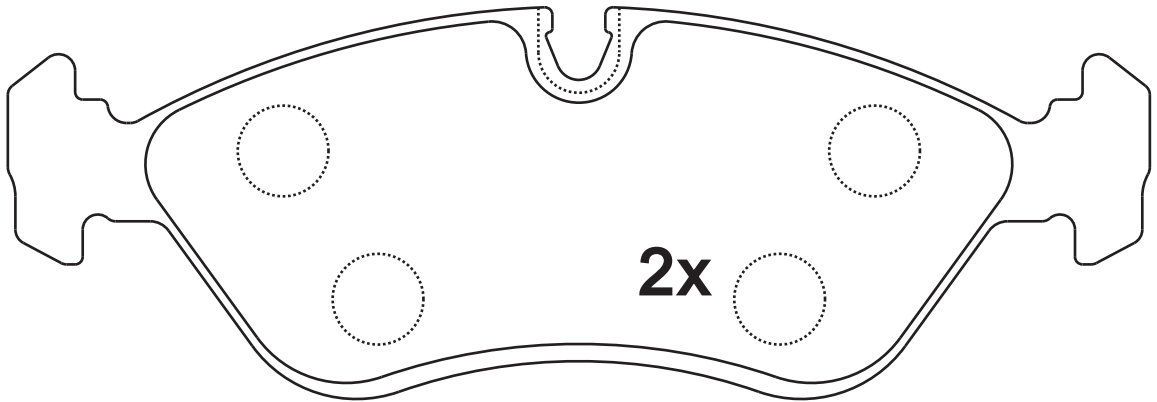
**Dimension
(mm)**

**Thickness
(mm)**



NOTE

**2 identical; 2 identical
with spring.**



Apply for:

DAEWOO CIELO 1.5GLX,GTX-GTX-ATE(ALT)(F)	96
DAEWOO EXPERO 1.8CD,20 CD-ATE(ALT)(F)	96
DAEWOO NUBIRA 1.6SX-ATE(ALT)(F)	97
OPELASTRA 160iE(F)	07/93
OPELASTRA 160i ESTATE(F)	95
OPELKADETT 160iS(F)	7/93

SR0699.01

**Dimension
(mm)**

**Thickness
(mm)**

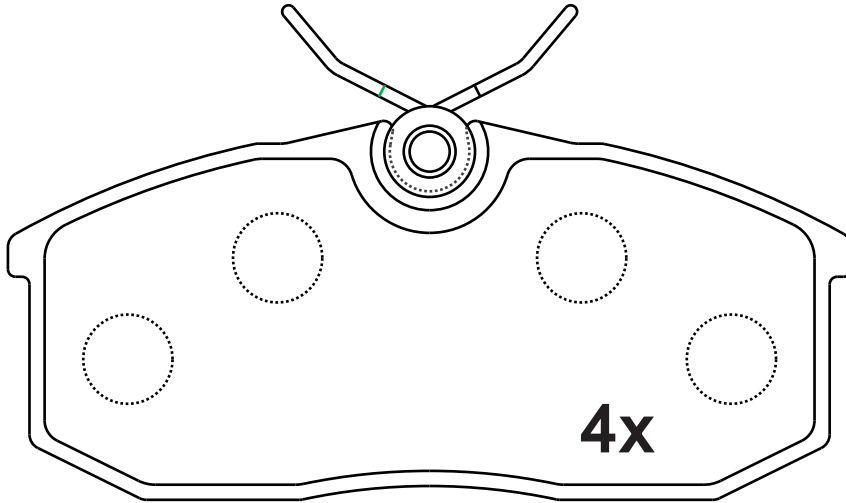


NOTE

4 identical;

111.6X50

16.5



25052

Apply for:

Ford Comn Courier 1600, 2000 (F)	96-91
Ford Comn Courier 2200 (F)	85-
Ford Comn Courier 1800 (F)	91-96
Ford Comn Courier 3000V6 4X2 (F)	90-96
Mazda Comm, B 1600, 2200, 3000V6 (F)	86-

SR0700.01

**Dimension
(mm)**

**Thickness
(mm)**

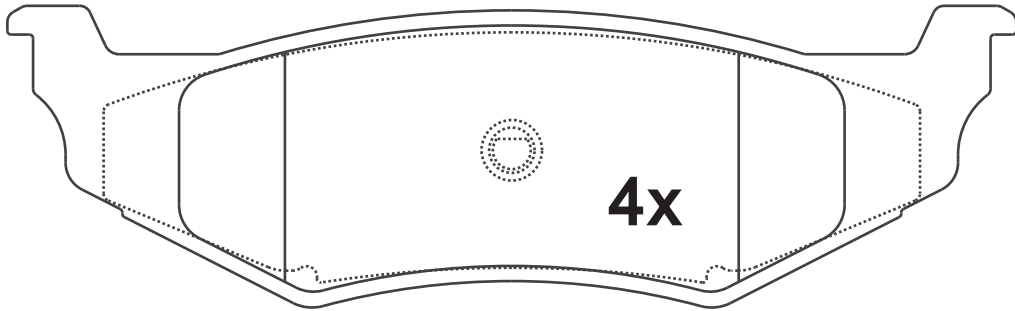


NOTE

2 identical;2 identical;

133.6X39.9

17



23561

Apply for:

- CHRYSLER 300M 1999
- CHRYSLER 300M 2001
- CHRYSLER 300M Performance Package 2002-2004
- CHRYSLER 300M Special 2002-2004
- CHRYSLER Cirrus 1995-2000
- CHRYSLER Concorde 1998-1999
- CHRYSLER Concorde 2001-2004
- CHRYSLER Intrepid 1998-1999
- CHRYSLER Intrepid 2001
- CHRYSLER Intrepid Heavy Duty 2002-2004
- CHRYSLER LHS 1999

SR0700.02

**Dimension
(mm)**

**Thickness
(mm)**

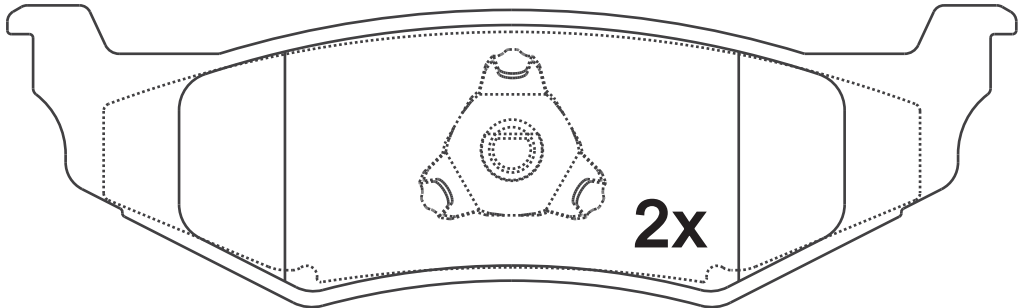


NOTE

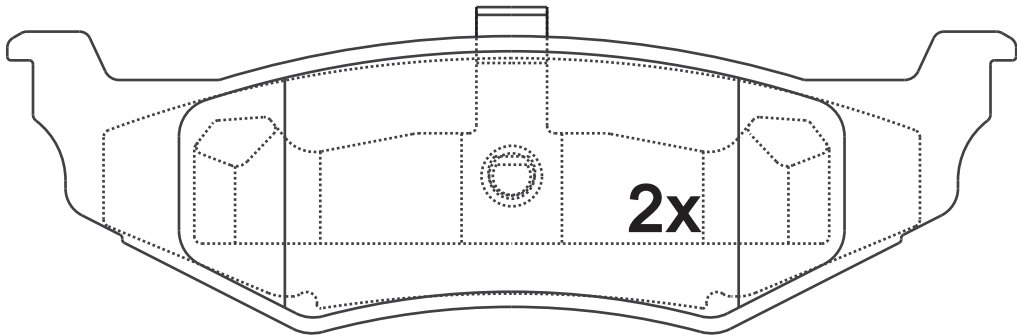
2 identical;2 identical;

133.6X39.9

18.1



23561



23562

Apply for:

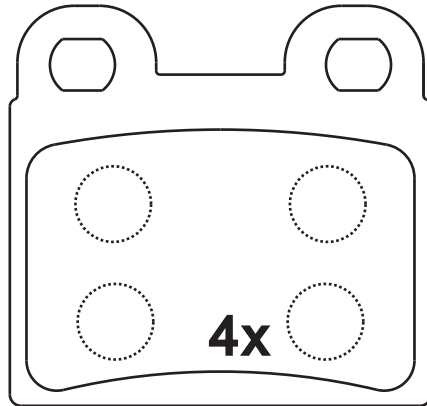
- CHRYSLER 300M 1999
- CHRYSLER 300M 2001
- CHRYSLER 300M Performance Package 2002-2004
- CHRYSLER 300M Special 2002-2004
- CHRYSLER Cirrus 1995-2000
- CHRYSLER Concorde 1998-1999
- CHRYSLER Concorde 2001-2004
- CHRYSLER Intrepid 1998-1999
- CHRYSLER Intrepid 2001
- CHRYSLER Intrepid Heavy Duty 2002-2004
- CHRYSLER LHS 1999

SR0701.01**Dimension
(mm)**

55.7×53

**Thickness
(mm)**

15

**NOTE****4 identical;****20009****Apply for:**

ALFA ROMEO Berlina Veloce	1968-1971
ALFA ROMEO GT Series 1750	1968-1971
ALFA ROMEO GTV-6	1982
ALFA ROMEO Spider	1968-1971
ALFA ROMEO Spider	1982-1994
ALFA ROMEO Spider Veloce	1975-1982
BMW 2000	1969-1971
BMW 2500	1969-1971
BMW 2800	1969-1971
BMW 3.0CS	1971-1974
BMW 3.0Si	1975-1976
BMW 528i	1979
BMW 530i	1975-1978
PORSCHE 1600	1964
PORSCHE 356	1964
SAAB 99	1968-1974

SR0702.01

**Dimension
(mm)**

156.4×60

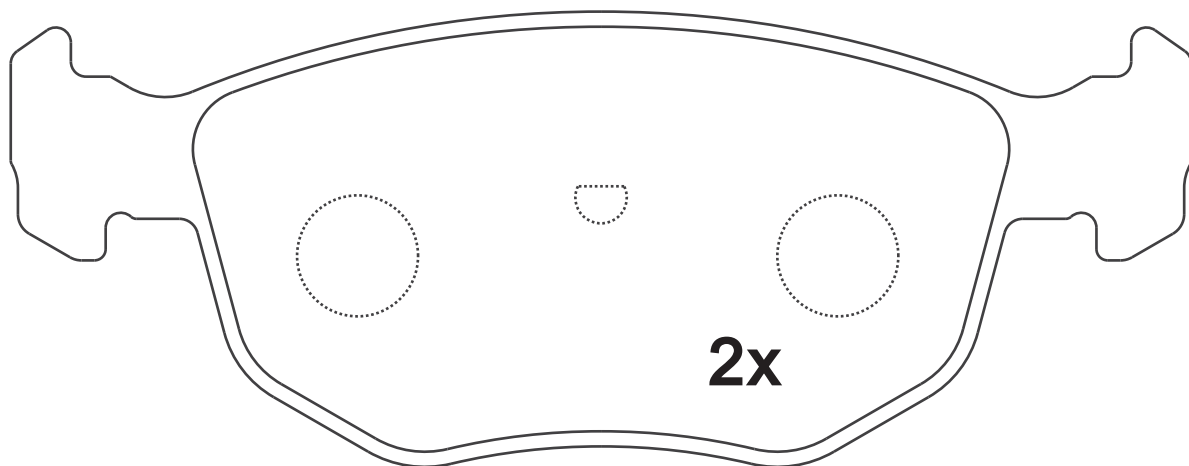
**Thickness
(mm)**

19.5

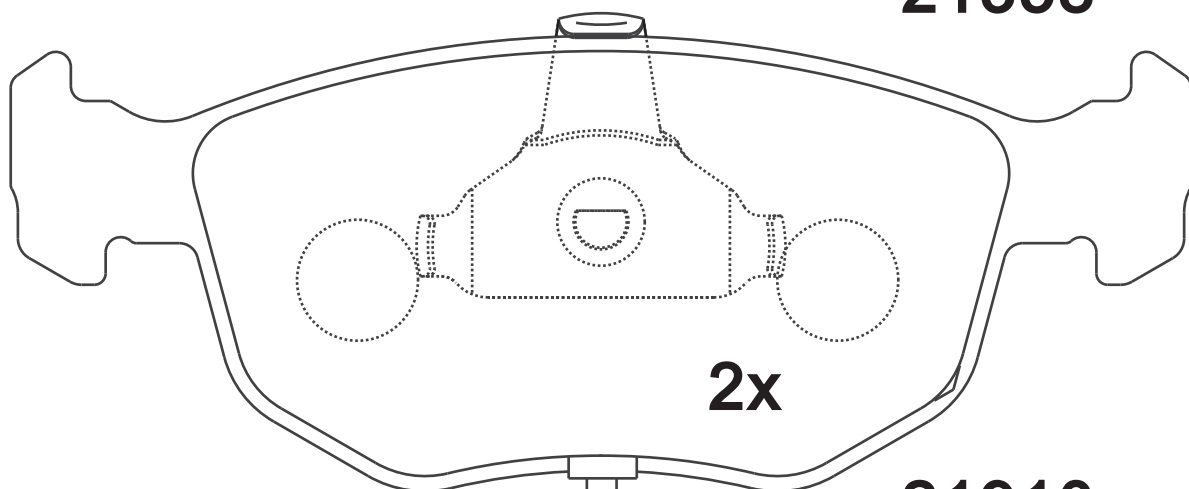


NOTE

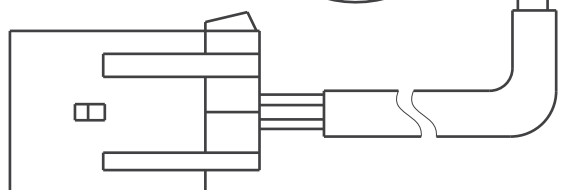
**2 identical; 2 identical
with warn indicator.**



21358



21910



Apply for:

Ford Contour

1998-1999

SR0702.02

**Dimension
(mm)**

**Thickness
(mm)**

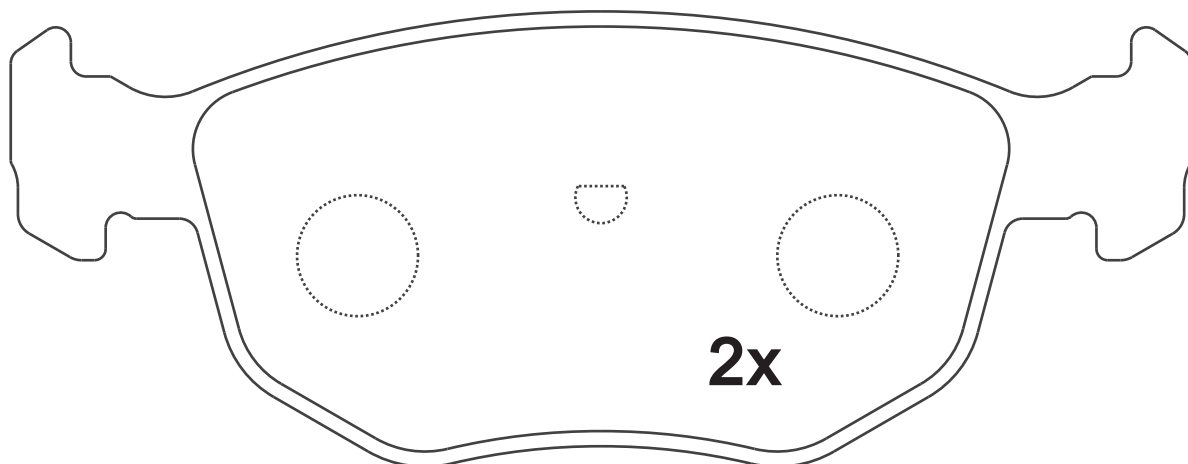


NOTE

**2 identical; 2 identical
with warn indicator.**

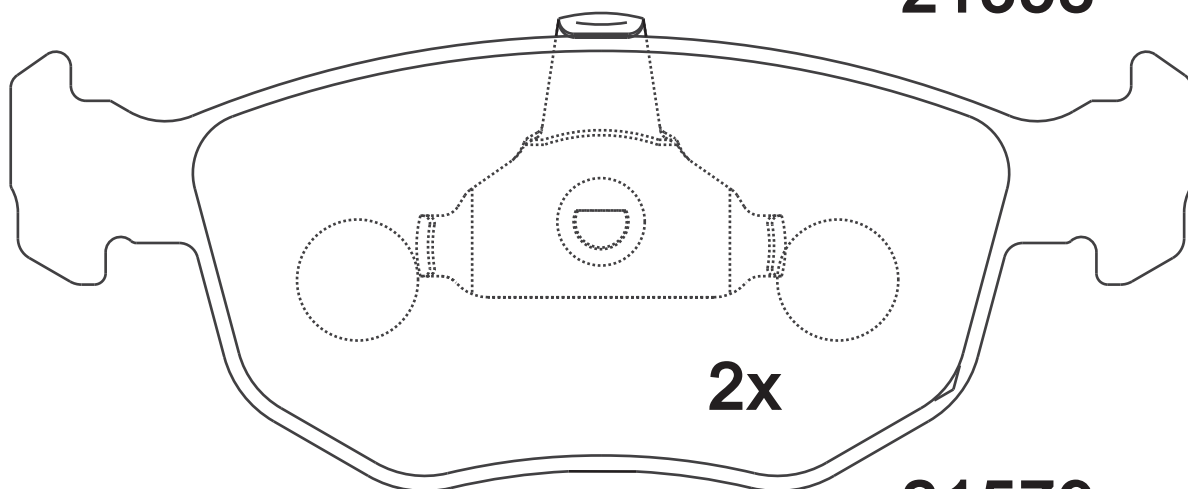
156.4×60

18.5



2x

21358



2x

21579

Apply for:

Ford Contour

1998-1999

SR0703.01

**Dimension
(mm)**

144.9×67

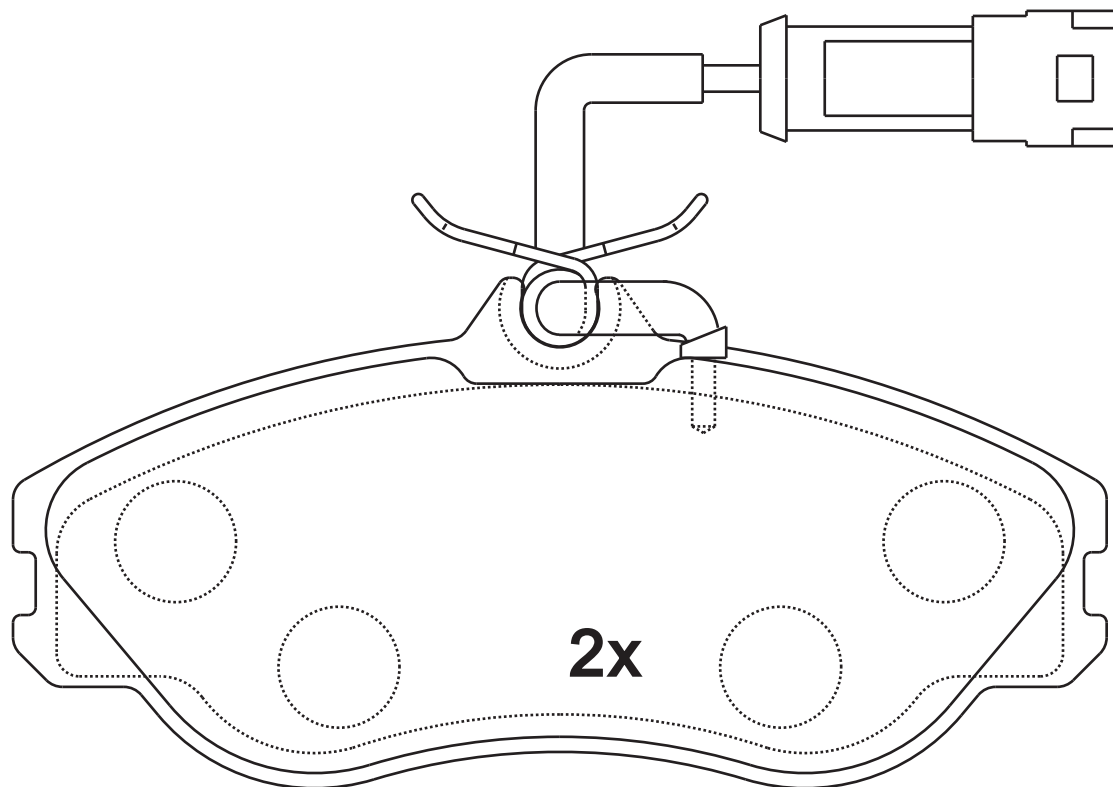
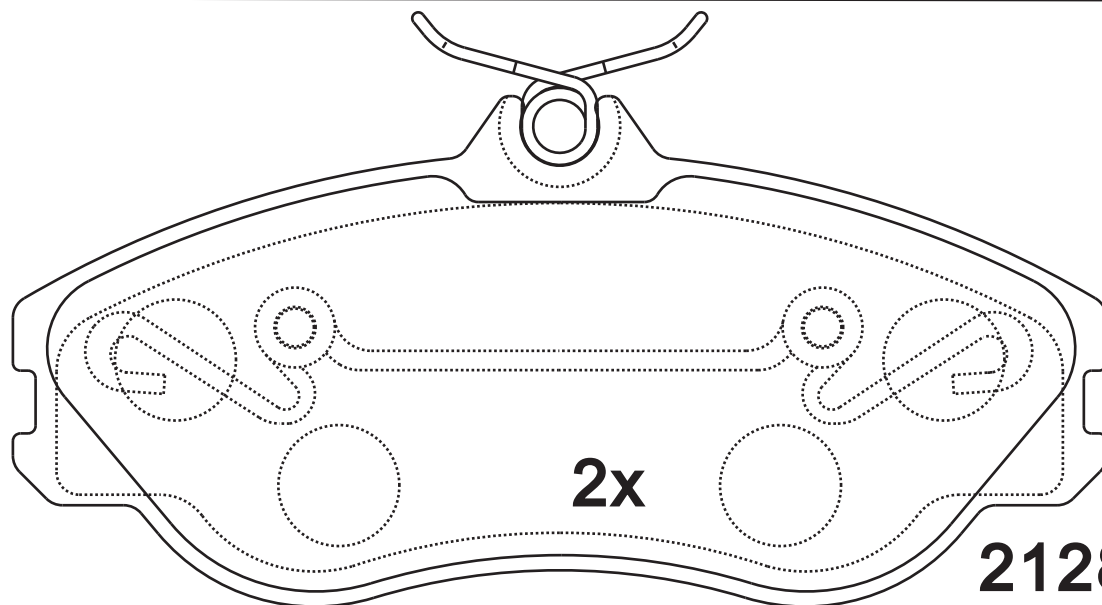
**Thickness
(mm)**

19



NOTE

**2 identical; 2 identical
with warn indicator.**



Apply for:

Audi 100
Audi (Faw) 100

1982/08-1991/07
1988/08-1995/06

SR0703

**Dimension
(mm)**

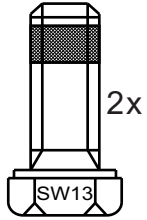
**Thickness
(mm)**



NOTE

附件包

Accessory kit

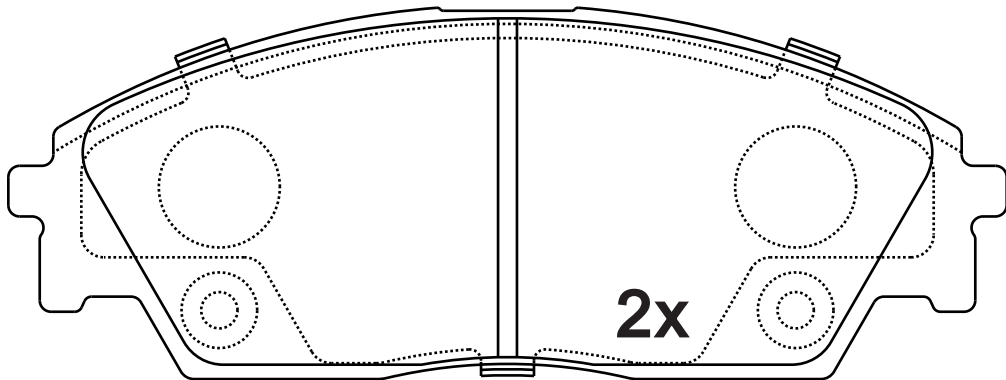


M8×21
L0010
FJB0003.01

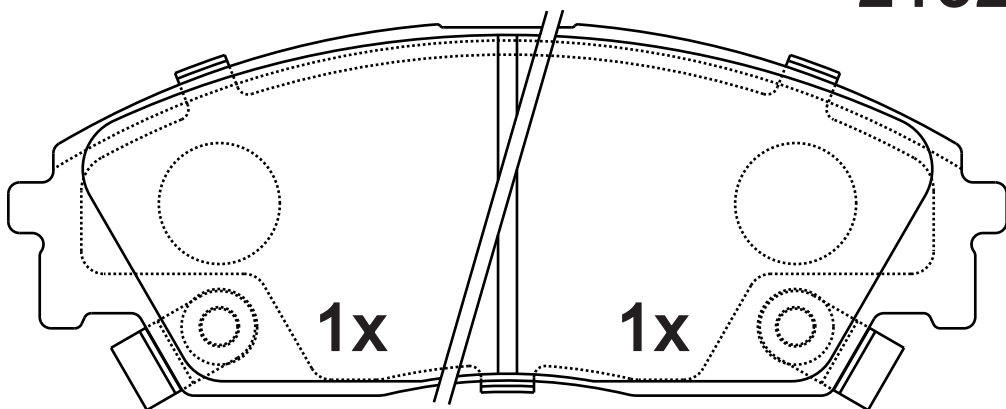
SR0704.01

Dimension (mm)	Thickness (mm)	
132×49.1	15	

NOTE
2 identical;2 identical,1 with acoustic indicator (left),1 with acoustic indicator(right).



21322



21323

1x

21324

Apply for:

- Honda Ballade 160i,160i DOHC(F)
- Honda Prelude 20i 16V(F)
- Honda CRXi 16V(F)

- 89-92
- 90-91
- 91-

SR0705.01

**Dimension
(mm)**

**Thickness
(mm)**

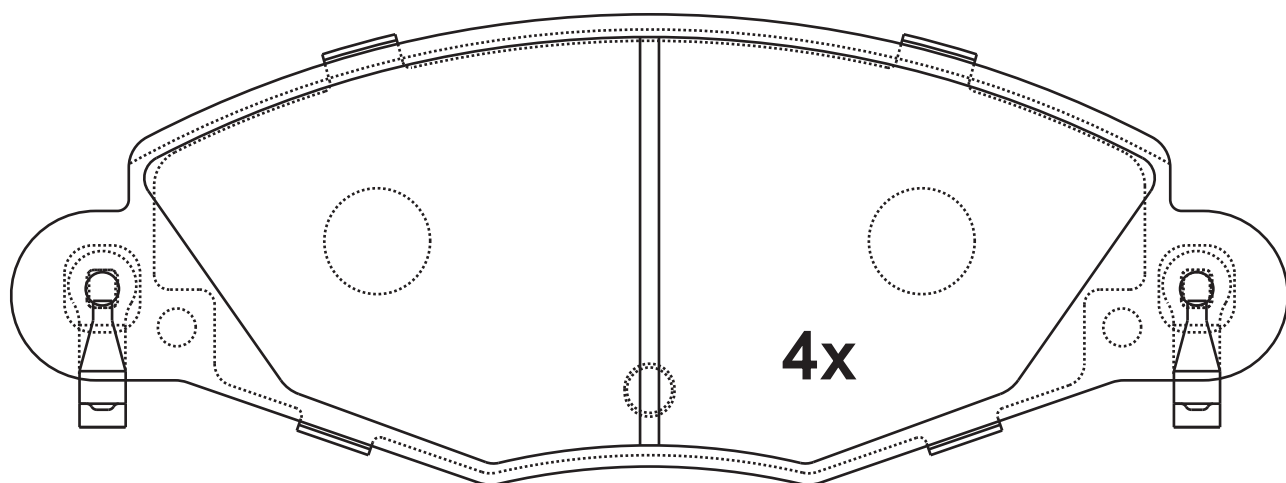


NOTE

4 identical;

168.7×62.8

17.8



23273

Apply for:

Citroen C5 I (Dc_)
Citroen C5 I Break (De_)

2001/03-2005/03
2001/06-2004/09

SR0705

**Dimension
(mm)**

**Thickness
(mm)**



NOTE

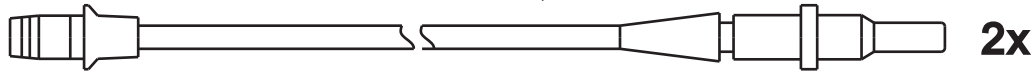
**附件包
Accessory bag**



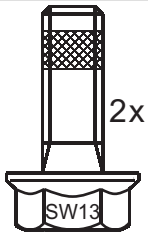
X0057A 总长410mm



X0055C 总长180mm



FJB2X0057A2X0055C



2x

SW13

M8X22

L0020

FJB0621.01

SR0706.01

**Dimension
(mm)**

**Thickness
(mm)**

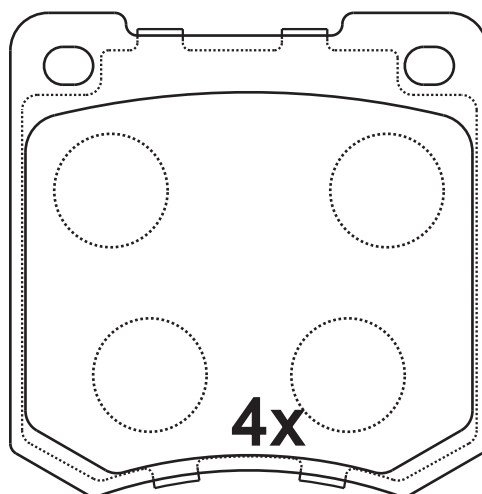


NOTE

4 identical;

63.3×63.3

14.4





GDB535

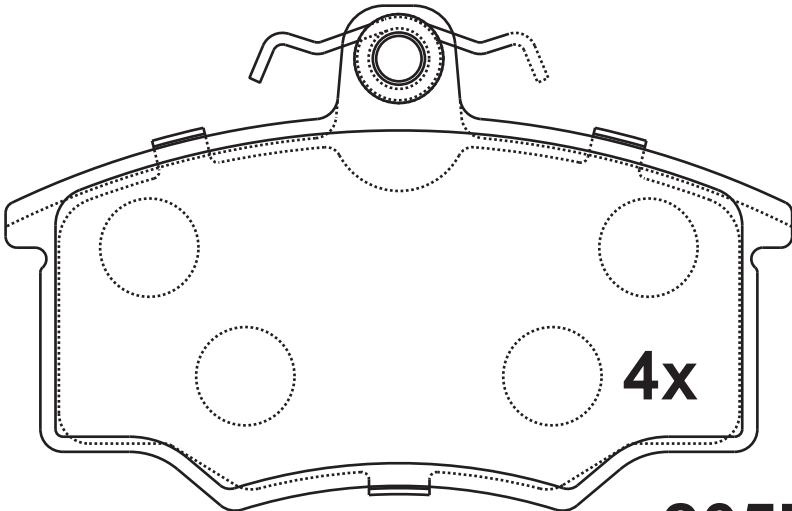
Apply for:

Chevrolet Hatch 1300(F)	75-78
Ford Cortina 1300,1500,1600(F)	66-71
Peugeot 204(F)	70-71
Toyota Corolla 1200,1600(F)	75-80
Nissan 1400 Pick up(F)	80-85

SR0707.01

Dimension (mm)	Thickness (mm)	
103.8×66.6	15.3	

NOTE
4 identical;



20574

Apply for:

- Audi 4000 1980-1982
- Audi Coupe 1981-1982
- Audi Fox 1978-1979
- Volkswagen Dasher 1978-1981

SR0707

**Dimension
(mm)**

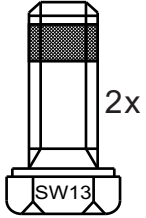
**Thickness
(mm)**



NOTE

附件包

Accessory kit

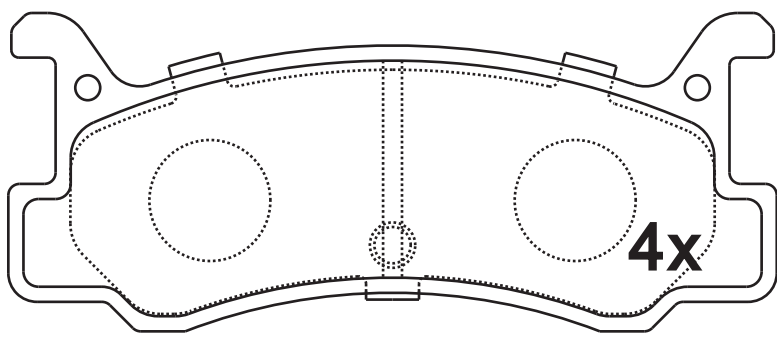


M8×21
L0010
FJB0003.01

SR0708.01

Dimension (mm)	Thickness (mm)	
101.7×42.2	13	

NOTE
4 identical;



20008

Apply for:

- Mazda 323 1986-1989
- Mazda MX-3 1995-1996
- Mercury Capri 1991-1994
- Mercury Tracer 1988-1989

SR0709.01

**Dimension
(mm)**

141.5×44.1

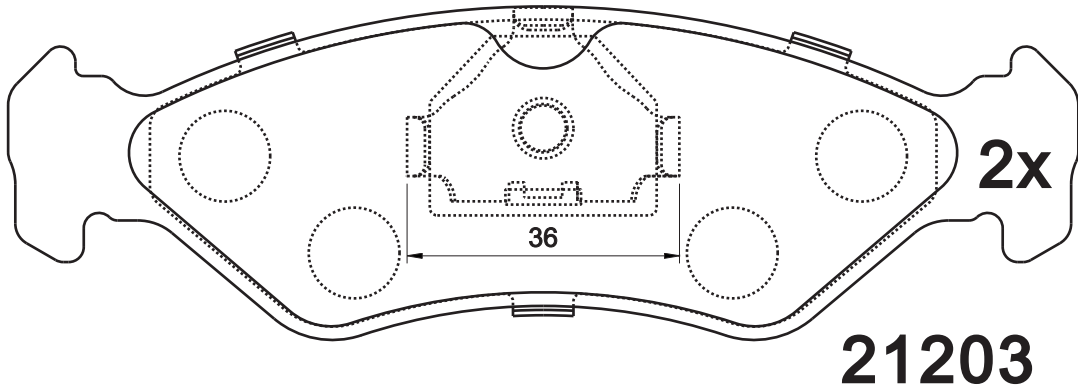
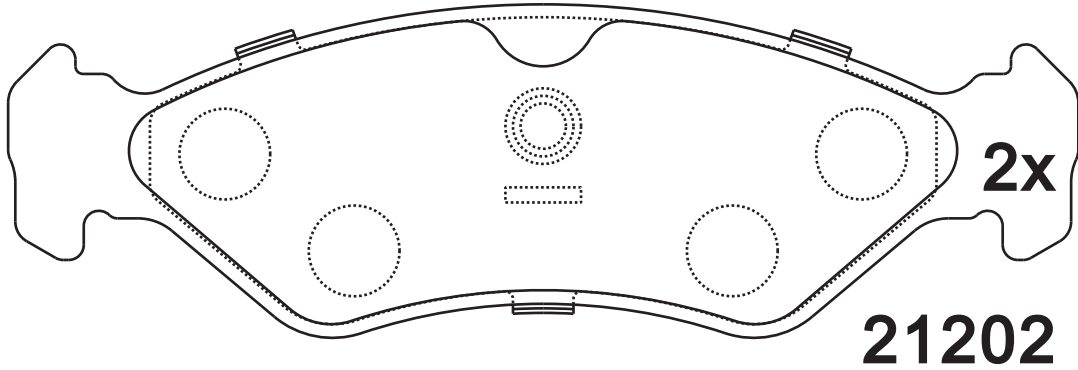
**Thickness
(mm)**

17



NOTE

**2 identical; 2 identical
with spring.**



Apply for:

Ford Fiesta
Mazda Soho

97
97

SR0709.02

**Dimension
(mm)**

141.3/140.1×44.4

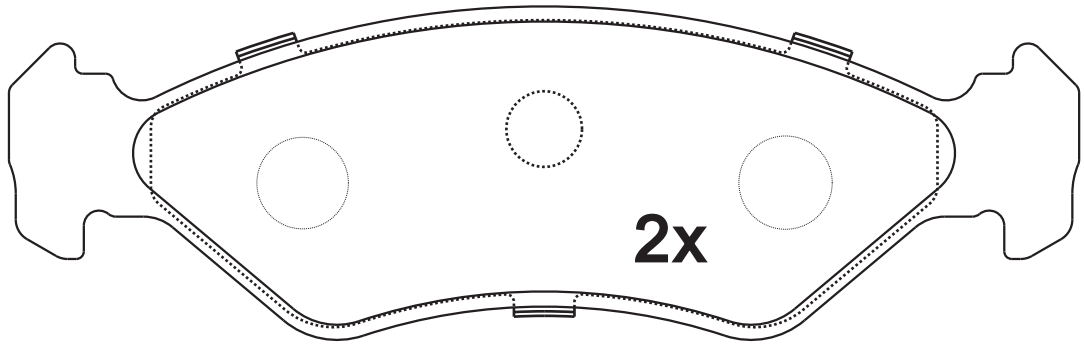
**Thickness
(mm)**

16.9

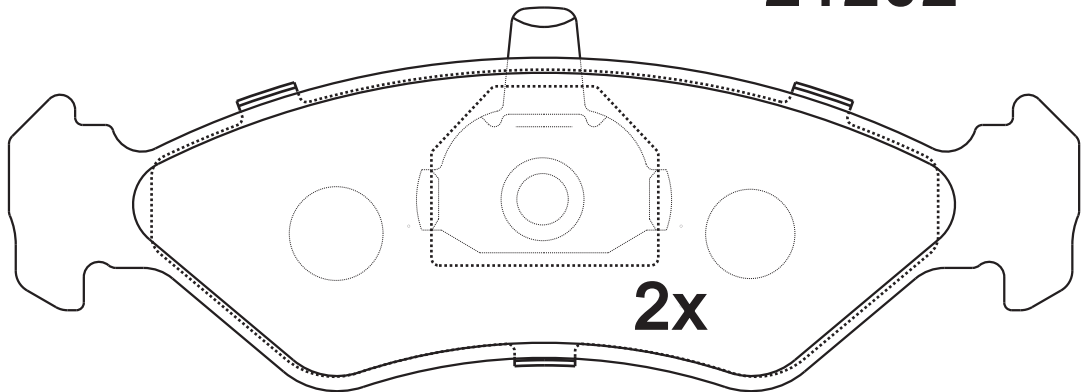


NOTE

**2 identical;2 identical
with spring.**



21202



21203

Apply for:

- | | |
|-------------------------------------|------|
| Ford Fiesta (Latin America) | 2003 |
| Ford Fiesta w/ABS (Latin America) | 2002 |
| Ford TRUCK EcoSport (Latin America) | 2004 |

SR0710.01

**Dimension
(mm)**

91.4×71.1

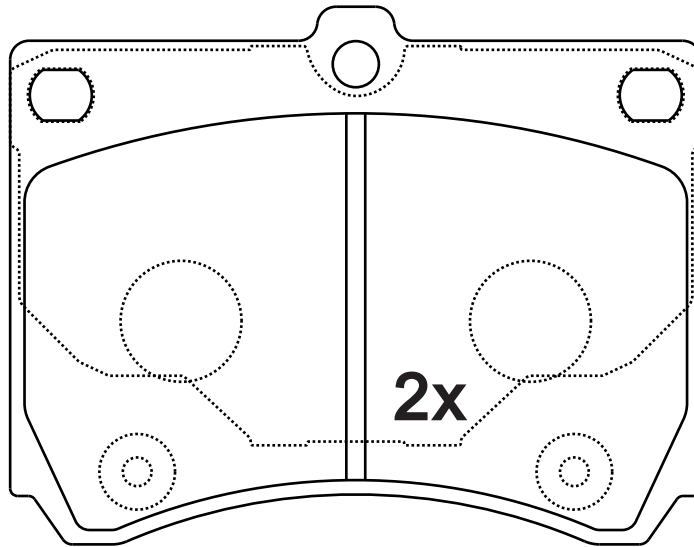
**Thickness
(mm)**

15.0

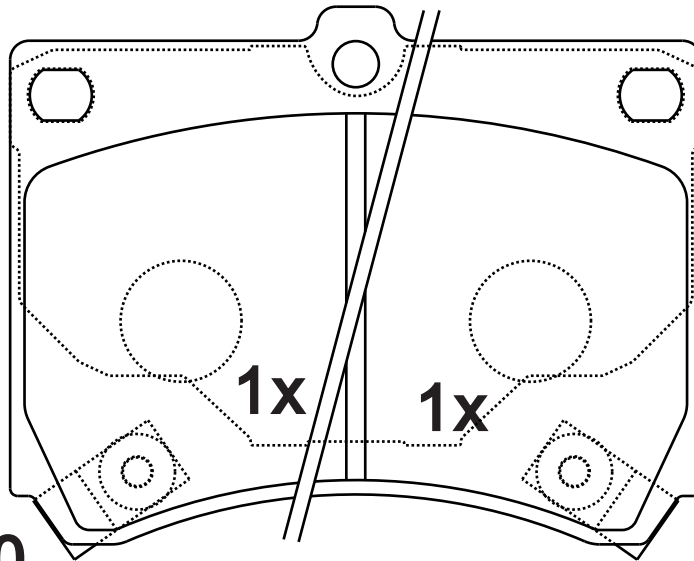


NOTE

4 identical, 1 with acoustic indicator (left), 1 with acoustic indicator (right).



21539





21540

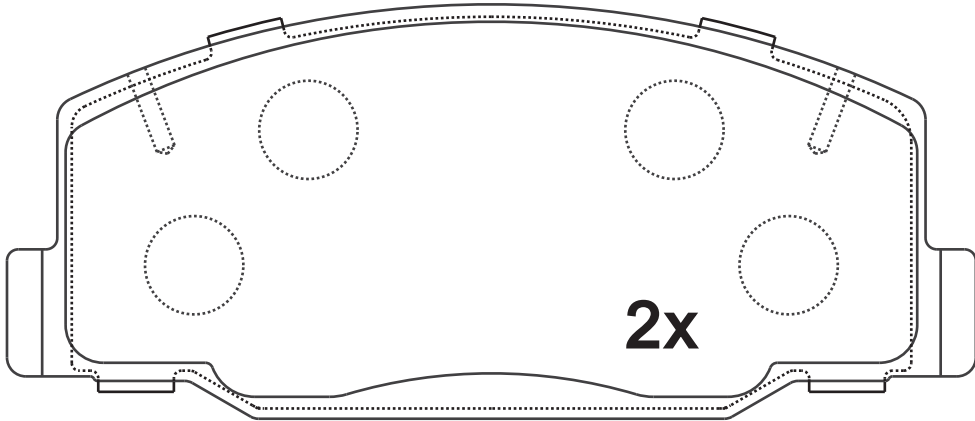
21541

Apply for:

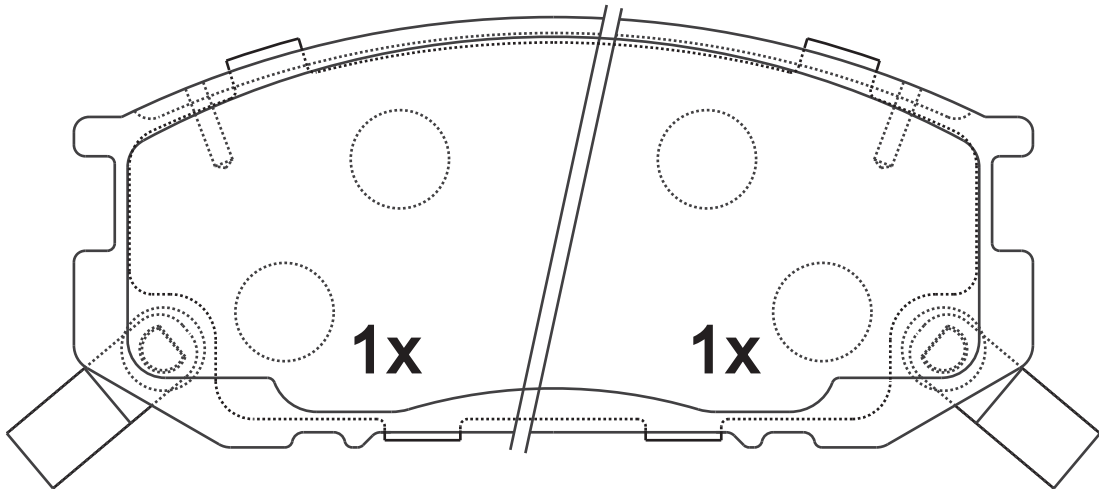
Ford Escort	1994-2003
Ford Escort GT	1991-1996
Ford ZX2	1998-2003
Mazda MX-3	1992-1996
Mazda Protege	1992-1994
Mazda Protege 4WD	1990-1991
Mazda Protege ES	1995-1998
Mercury Tracer	1991-1999

SR0711.01

Dimension (mm)	Thickness (mm)		NOTE
126.9×57 128.3×55	15.5		2 identical;2 identical,1 with acoustic indicator (left),1 with acoustic indicator(right).



21250



21767

Apply for:

Toyota Celta

1983-1985

Toyota Celta Supra

1983-1985

SR0712.01

**Dimension
(mm)**

**Thickness
(mm)**

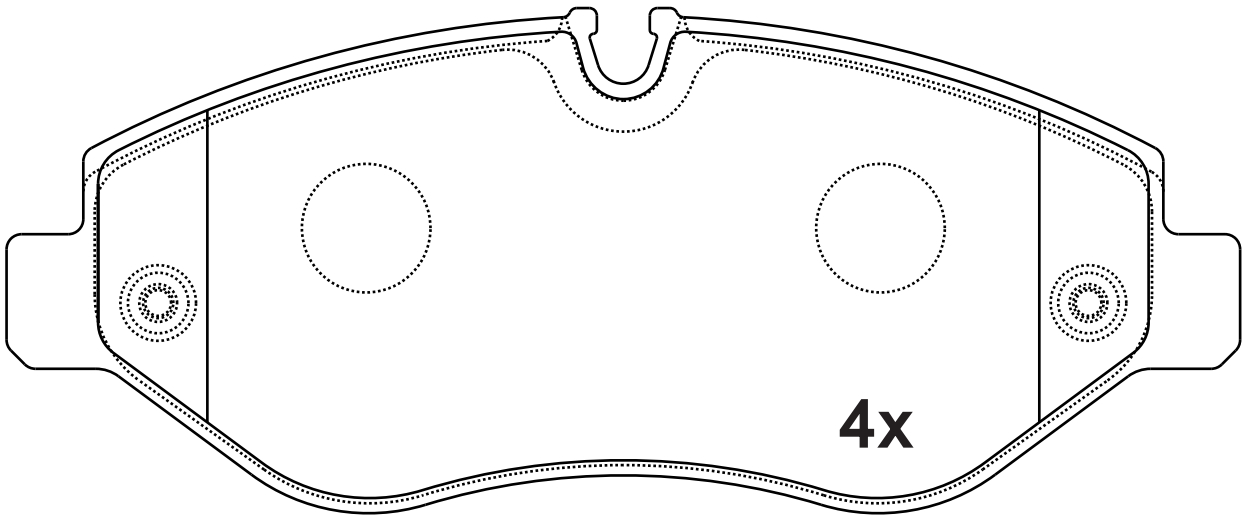


NOTE

4 identical ;

163.1×66.8

20.7



29192

Apply for:

- | | |
|-------------------------------------|-----------|
| Dodge Truck Sprinter 2500 | 2007-2009 |
| Freightliner Sprinter 2500 | 2011-2012 |
| Mercedes (COMMERCIAL) Sprinter 2500 | 2010-2012 |

SR0712.02

**Dimension
(mm)**

163.1×67.1

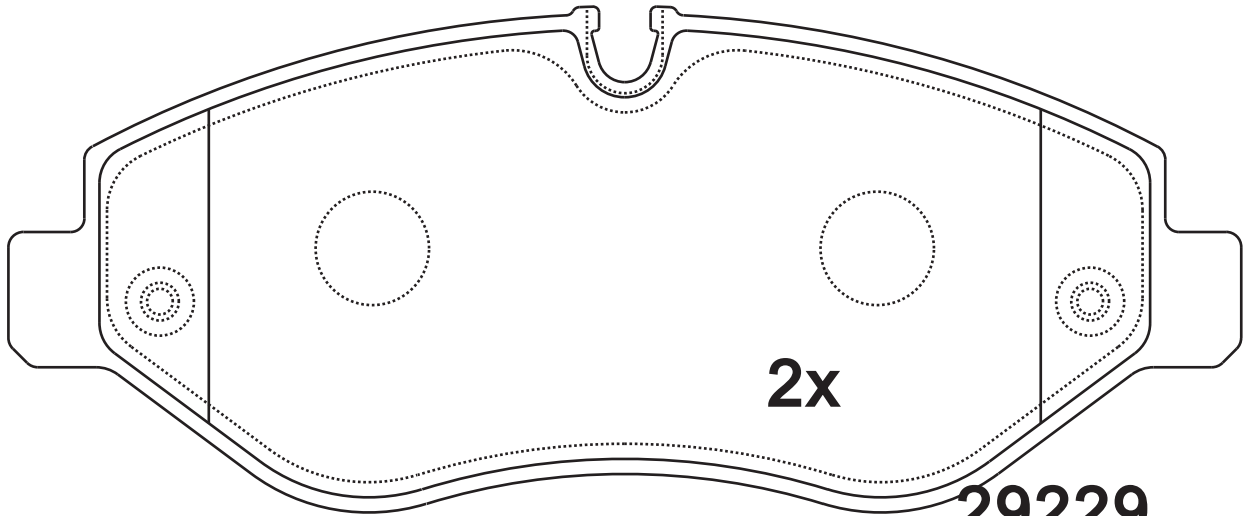
**Thickness
(mm)**

20.7

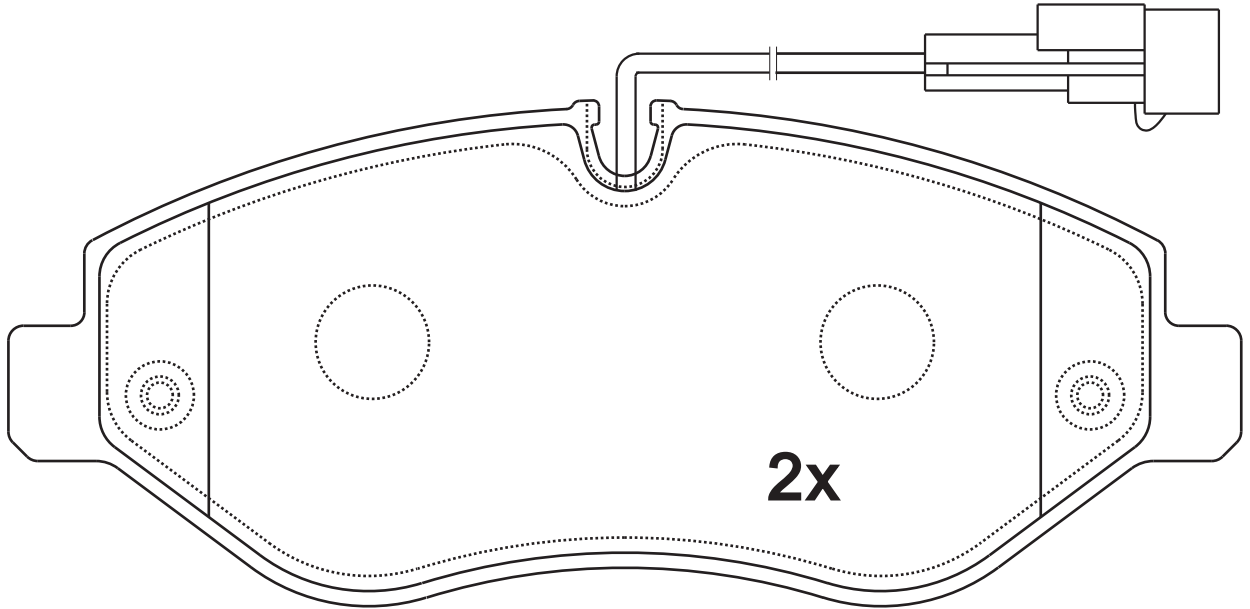


NOTE

**4 identical;2 identical
with warn indicator.**



29229



29230

Apply for:

Nissan Cabstar
Renault Trucks Maxity

2006/09-2012/12
2007/03-

SR0712.03

**Dimension
(mm)**

163.1×66.8

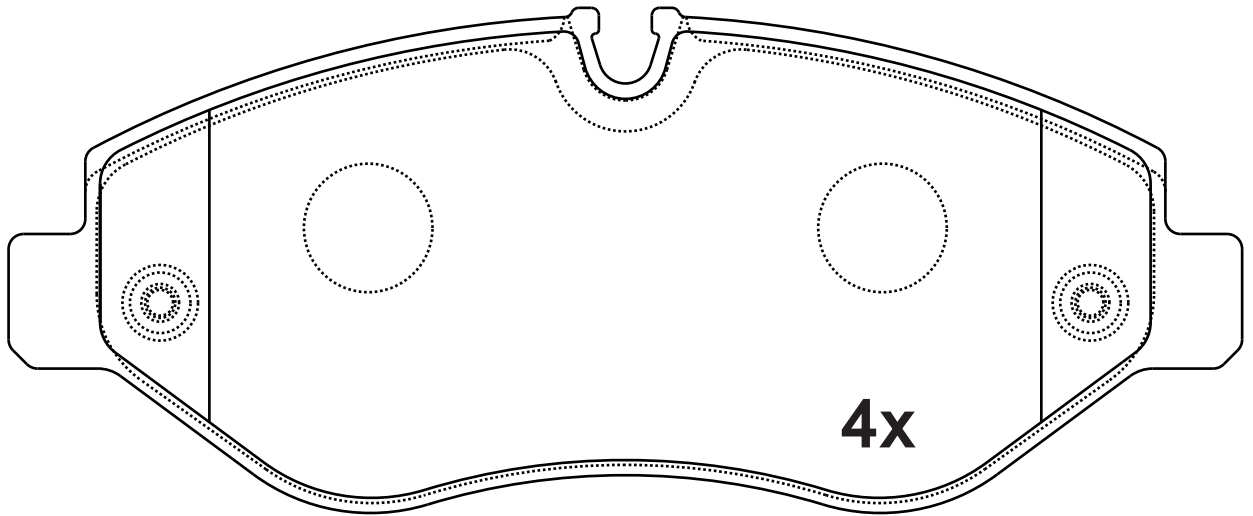
**Thickness
(mm)**

20.7

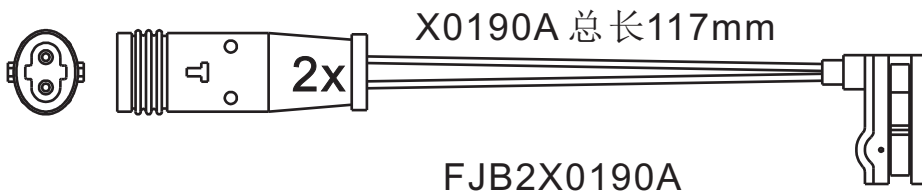


NOTE

4 identical ;



29192



Apply for:

Dodge Truck Sprinter 2500	2007-2009
Freightliner Sprinter 2500	2011-2012
Mercedes (COMMERCIAL) Sprinter 2500	2010-2012

SR0712

**Dimension
(mm)**

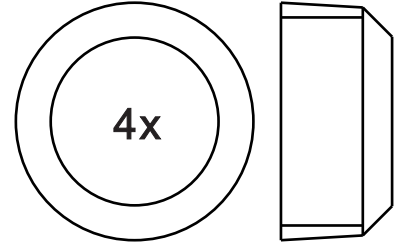
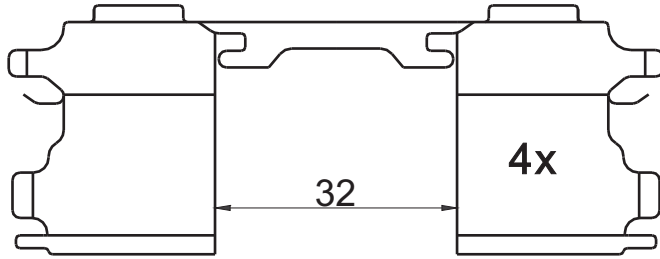
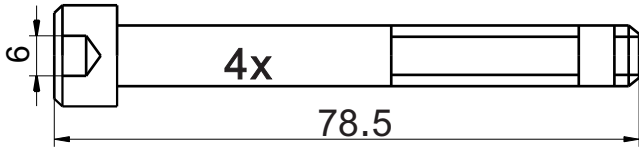
**Thickness
(mm)**



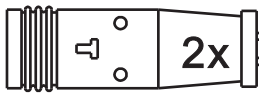
NOTE

附件包

Accessory kit




FJB0712.01



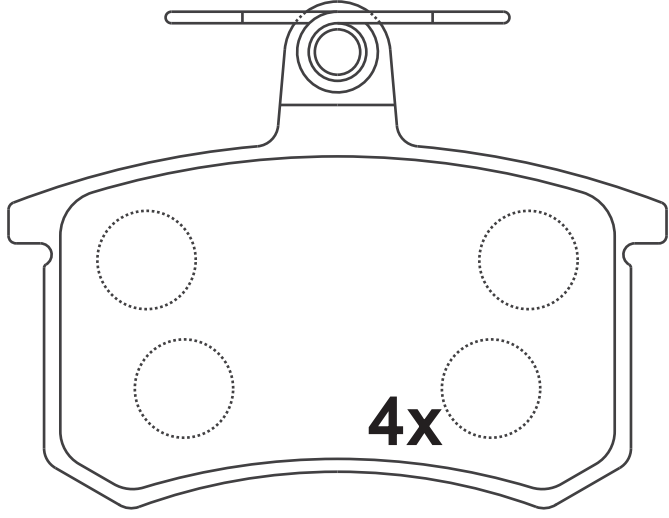
X0190A 总长117mm

FJB2X0190A

SR0713.01

Dimension (mm)	Thickness (mm)	
87.6×69	16.5	

NOTE
4 identical;



4x


D306

Apply for:

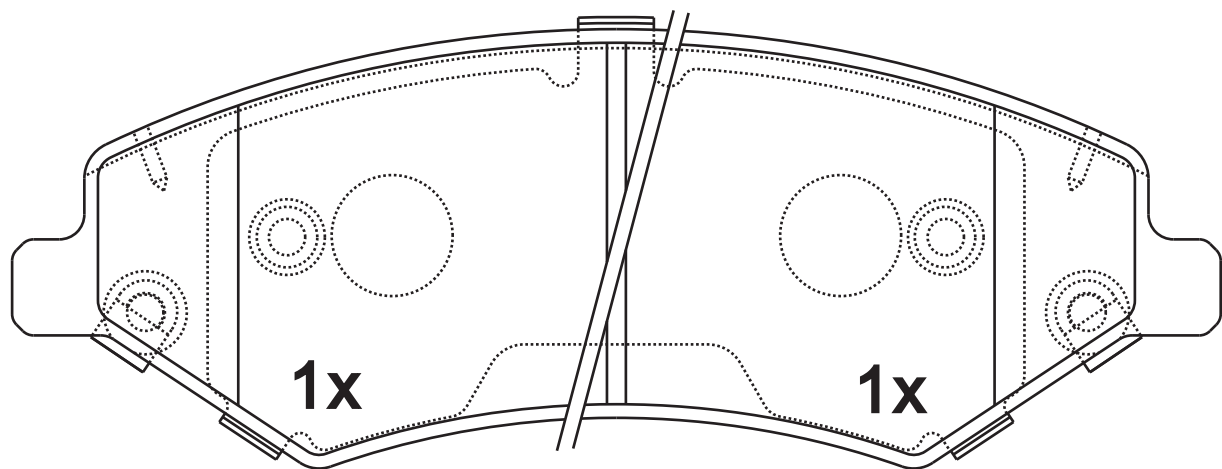
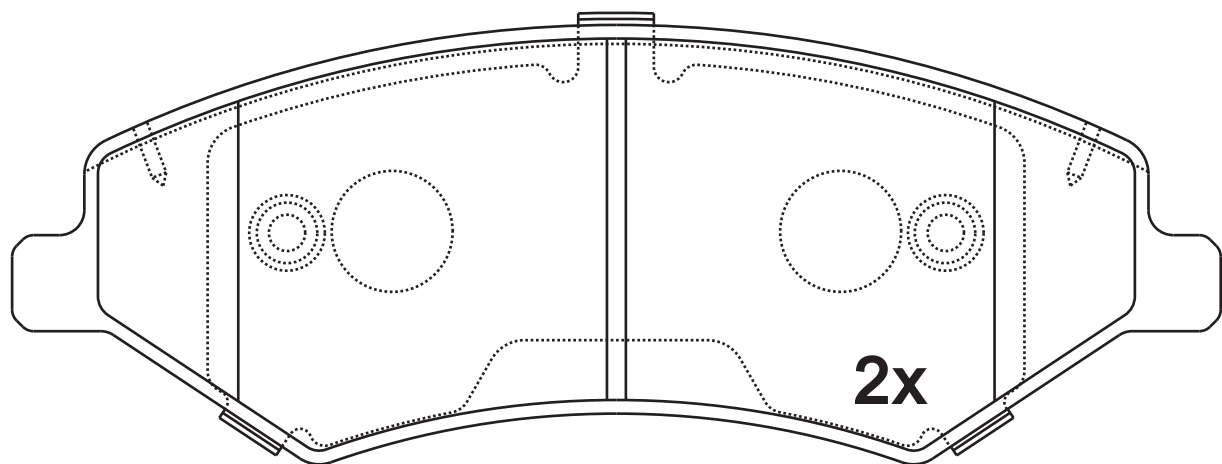
Alfa 145 Quadrifoglio
Alfa 146 Twin Spark Sedan

94-02/95
94-02/95

SR0714.01

Dimension (mm)	Thickness (mm)	
159.8×58.1	17.5	

NOTE
4 identical, 1 with acoustic indicator (left), 1 with acoustic indicator (right).



Apply for:

Chery Tiggo 5 Closed Off-Road Vehicle
Jetour X7, Dashing

2013/10-
2018--

SR0715.01

**Dimension
(mm)**

119.6×45.5

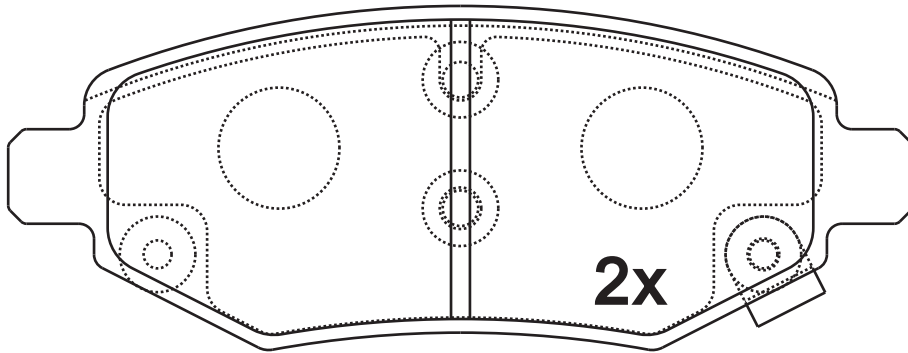
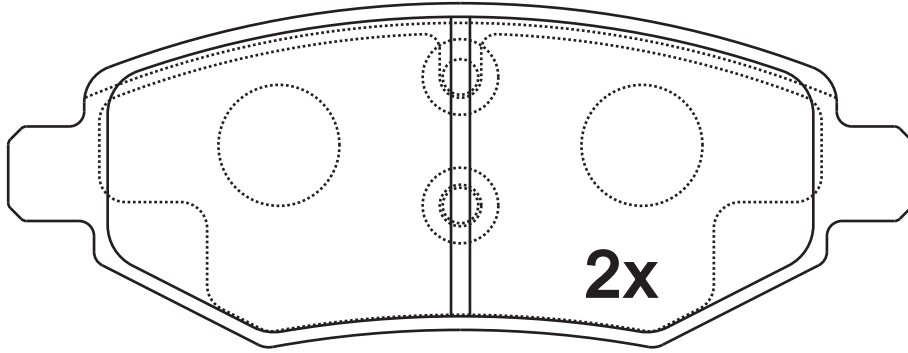
**Thickness
(mm)**

16.2



NOTE

4 identical, 1 with acoustic indicator(left), 1 with acoustic indicator(right).



Apply for:

Chery Tiggo 5 Closed Off-Road Vehicle

2013/10-

SR0716.01

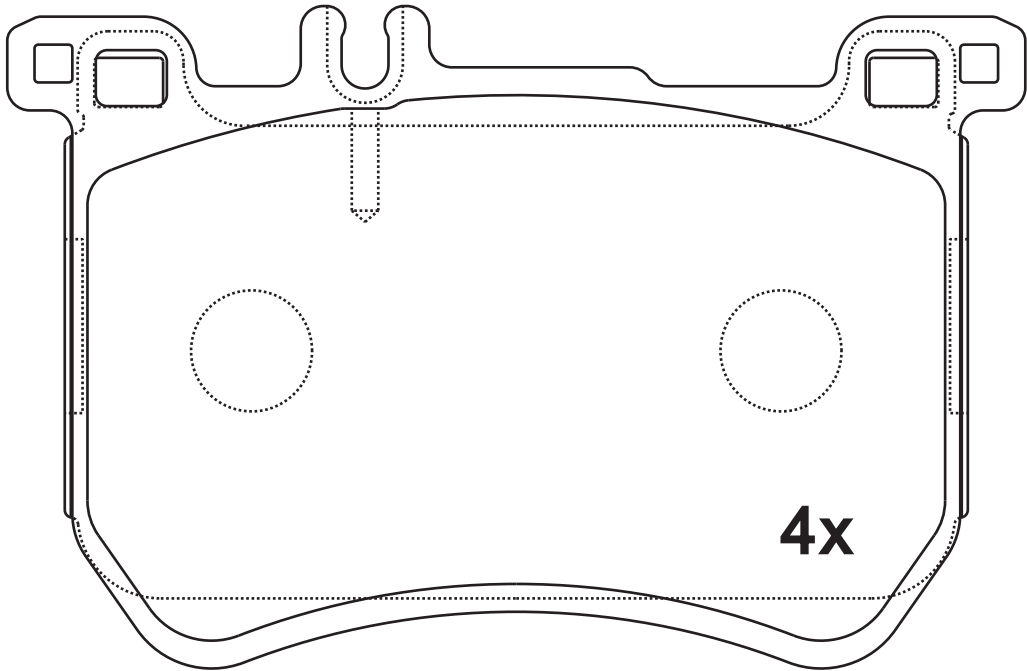
**Dimension
(mm)**

**Thickness
(mm)**



NOTE

4 identical;





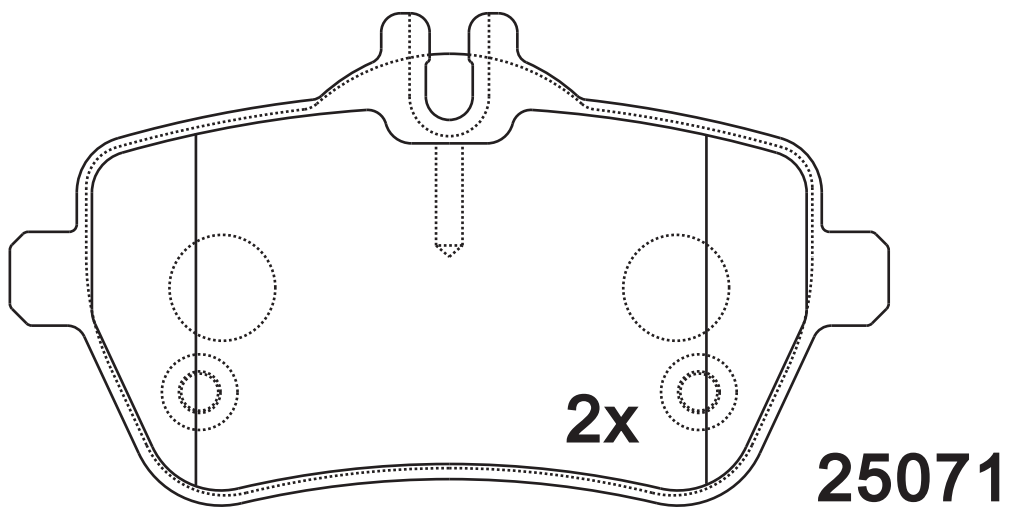
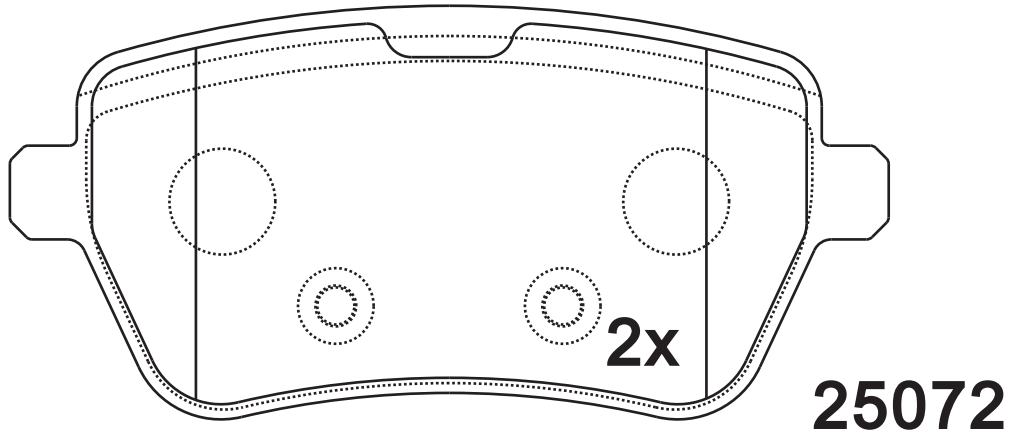
D1670

Apply for:

Mercedes-Benz SL550

2013-

SR0717.01	Dimension (mm)	Thickness (mm)		NOTE 2 identical ;2 identical;
	116.2×54.7 116.2×65.1	18.8		



Apply for:

- | | |
|---------------------------------|-----------|
| Mercedes-Benz S550 4Matic Sport | 2014- |
| Mercedes-Benz SL550 | 2013-2014 |
| Mercedes-Benz SL550 Sport | 2013-2014 |

SR0717

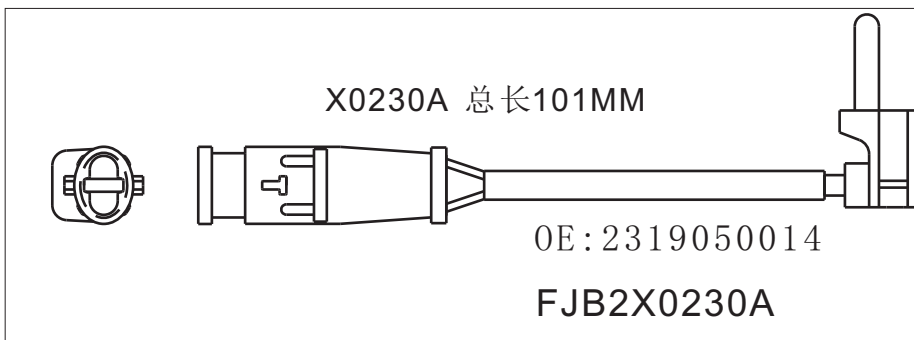
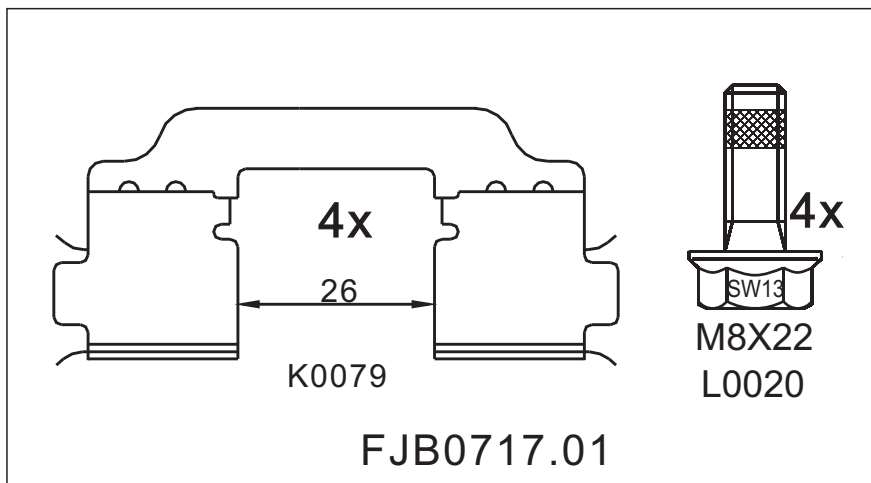
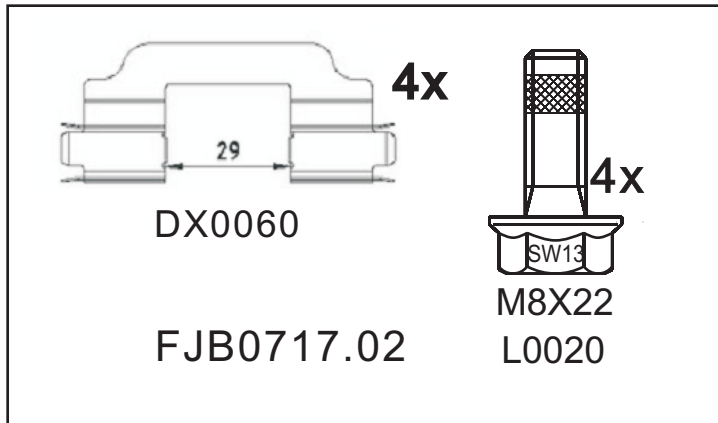
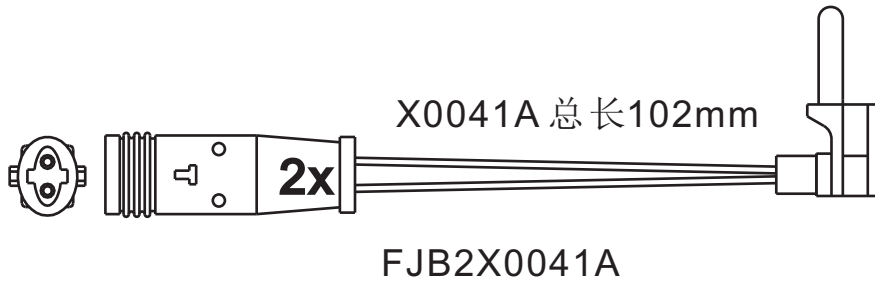
**Dimension
(mm)**

**Thickness
(mm)**



NOTE

**附件包
Accessory bag**



SR0718.01

**Dimension
(mm)**

131×51.5

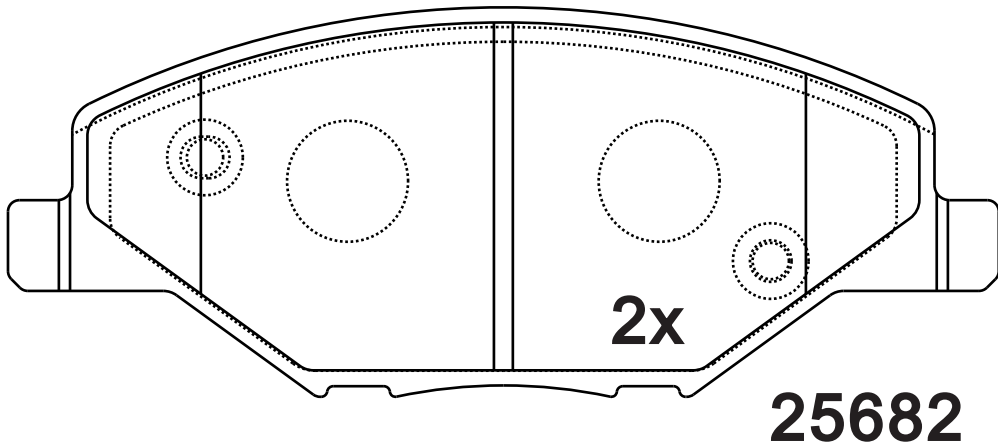
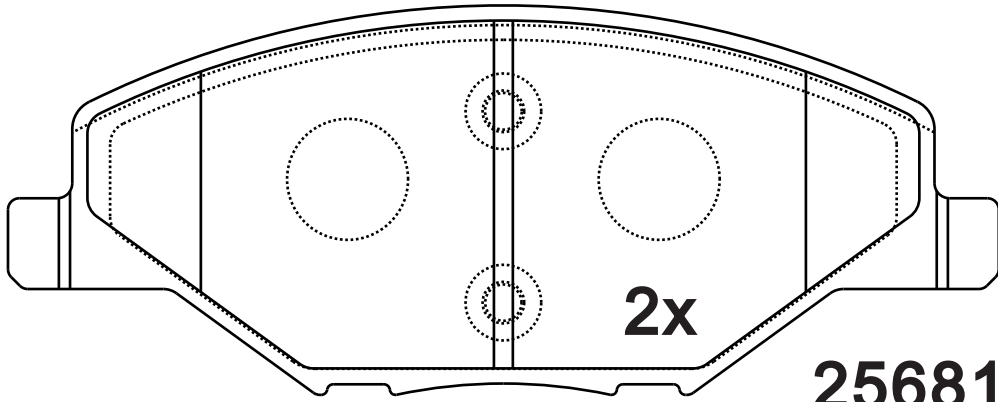
**Thickness
(mm)**

17.0



NOTE

2 identical;2 identical;



Apply for:

Volkswagen Vento (Latin America)

2013-2015

SR0718

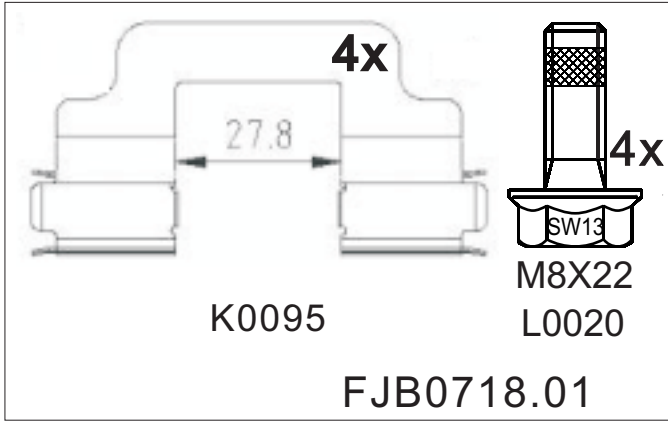
**Dimension
(mm)**

**Thickness
(mm)**



NOTE

**附件包
Accessory bag**



SR0719.01

**Dimension
(mm)**

161.3×74.4
161.3×72.9

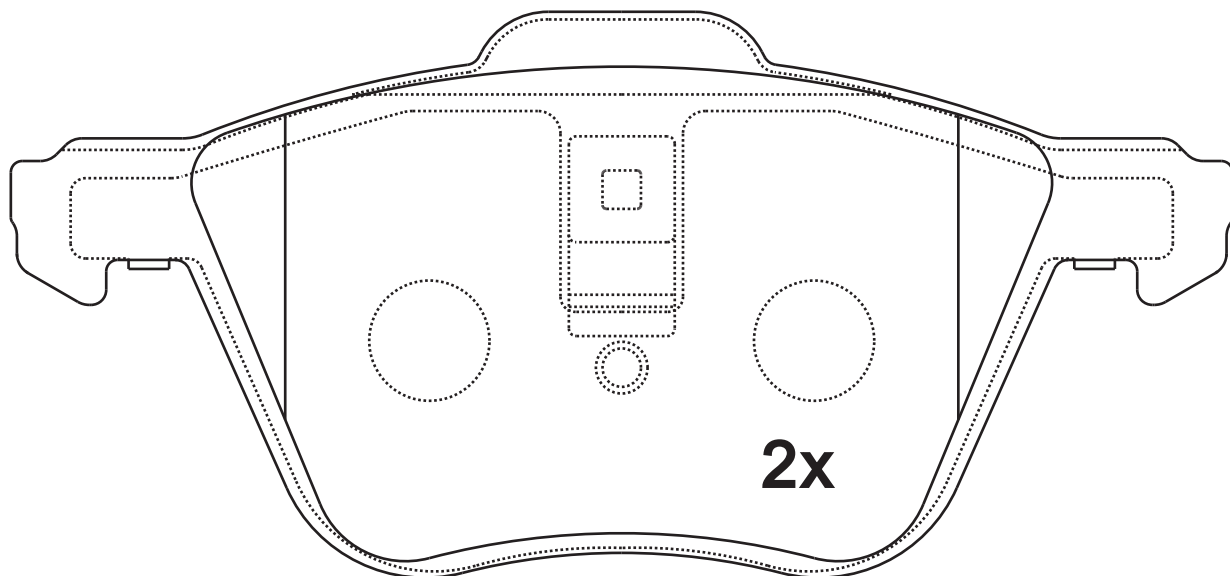
**Thickness
(mm)**

19.8

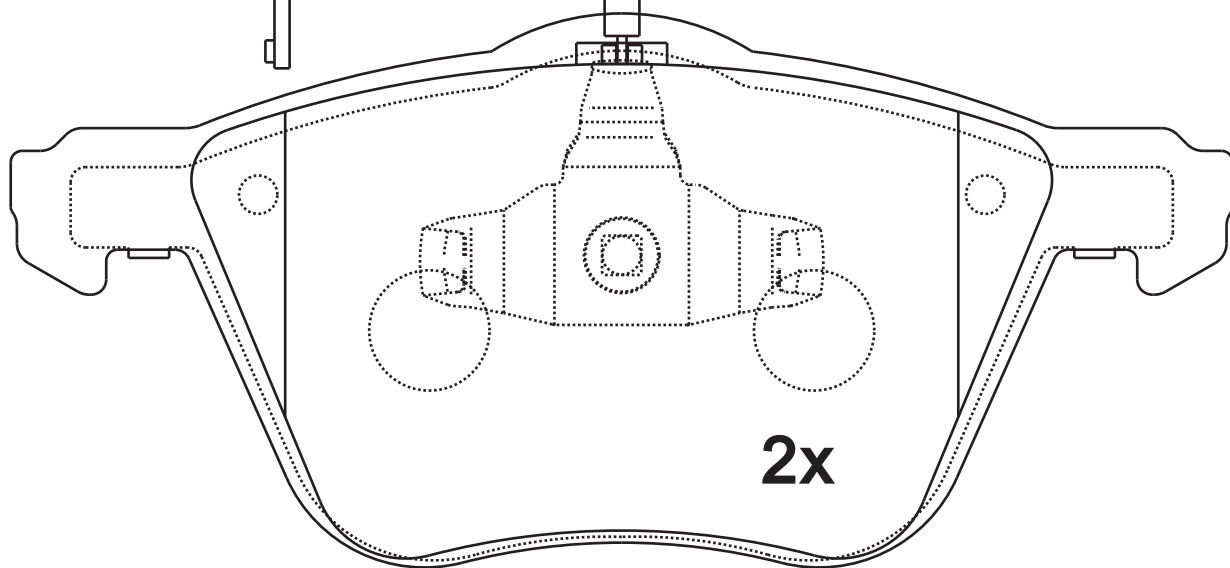
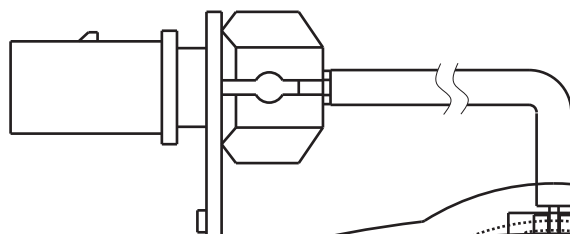


NOTE

**2 identical; 2 identical
with warn indicator.**



23269



23270

Apply for:

VOLKSWAGEN EuroVan

2001-2004

SR0720.01

**Dimension
(mm)**

164.9×66.2

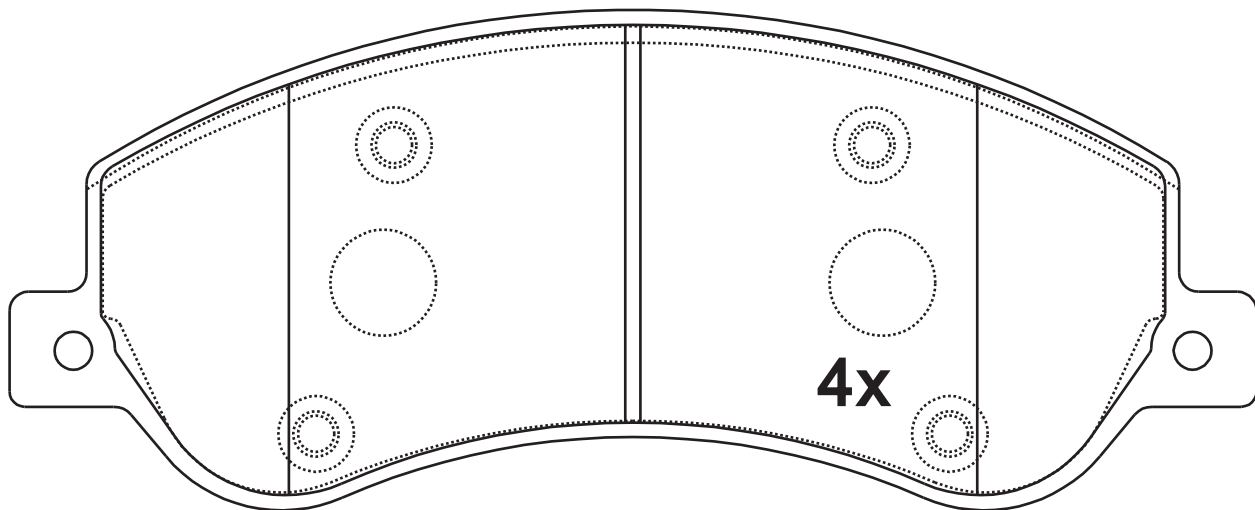
**Thickness
(mm)**

18.8

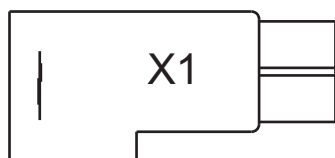
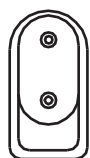


NOTE

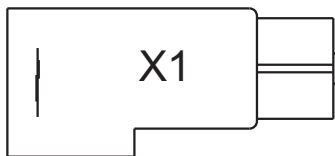
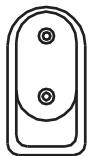
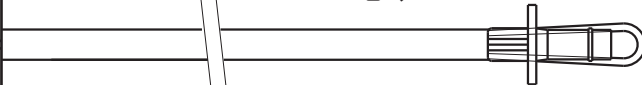
4 identical, 1 identical with wear warning contact: 475mm, 1 identical with wear warning contact: 100mm.



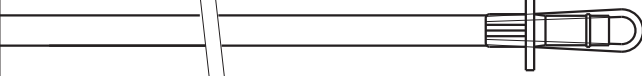
24484



X0322B 总长255mm



X0322C 总长100mm



FJB1X0322B1X0322C

Apply for:

Byd Tang

2015/06-2018/06

Ford Transit Box (Fa_ _)

2006/04-

SR0720.02

**Dimension
(mm)**

164.9×66.2

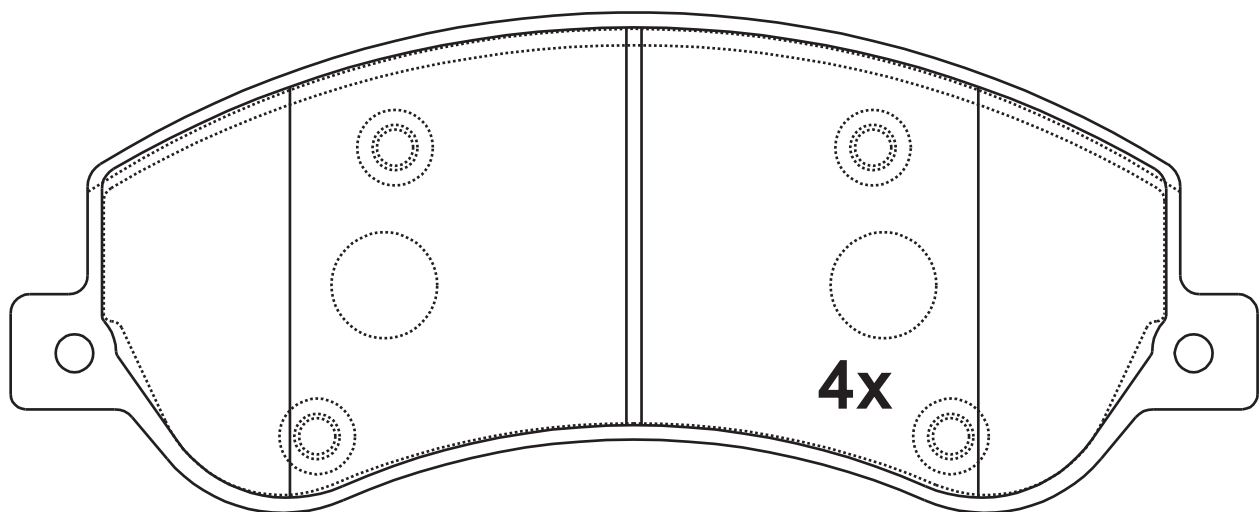
**Thickness
(mm)**

18.8

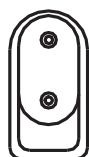


NOTE

**4 identical ,2 identical
with wear warning
contact:255mm**



24484



X0322B 总长255mm

FJB2X0322B

Apply for:

Byd Tang
Ford Transit Box (Fa__)

2015/06-2018/06
2006/04-

SR0720.03

**Dimension
(mm)**

164.9×66.2

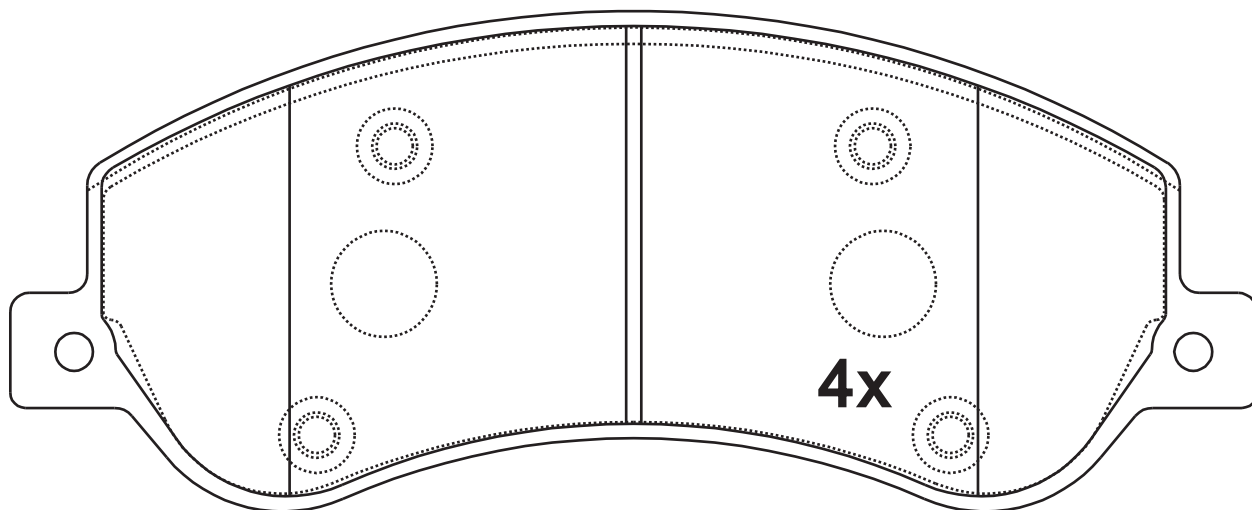
**Thickness
(mm)**

18.8



NOTE

4 identical;



24484

Apply for:

Volkswagan AMAROK (2H_, S1B)
Volkswagan Amarok (Latin America)

[2010-]
2010-2011

SR0720

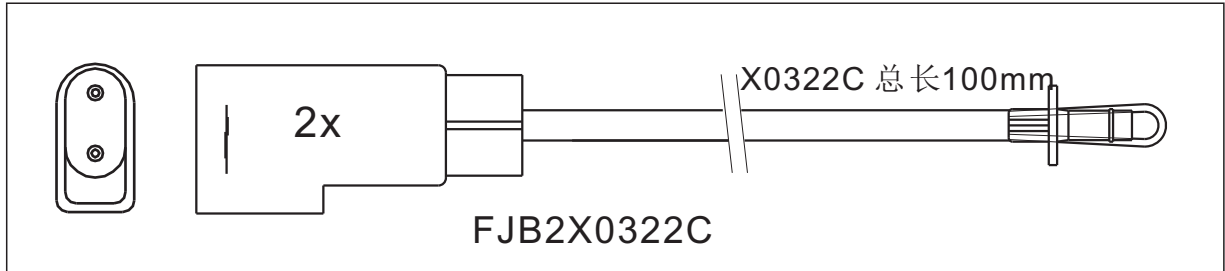
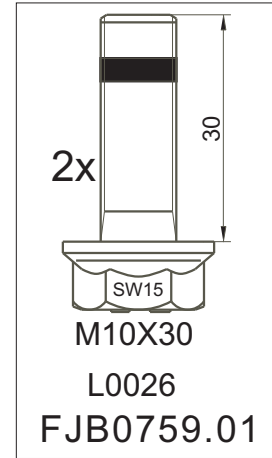
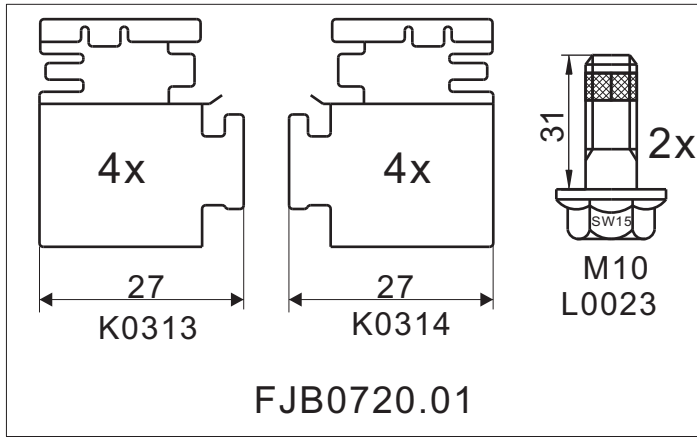
**Dimension
(mm)**

**Thickness
(mm)**



NOTE

附件包
Accessory bag



SR0721.01

**Dimension
(mm)**

141.3×60.9

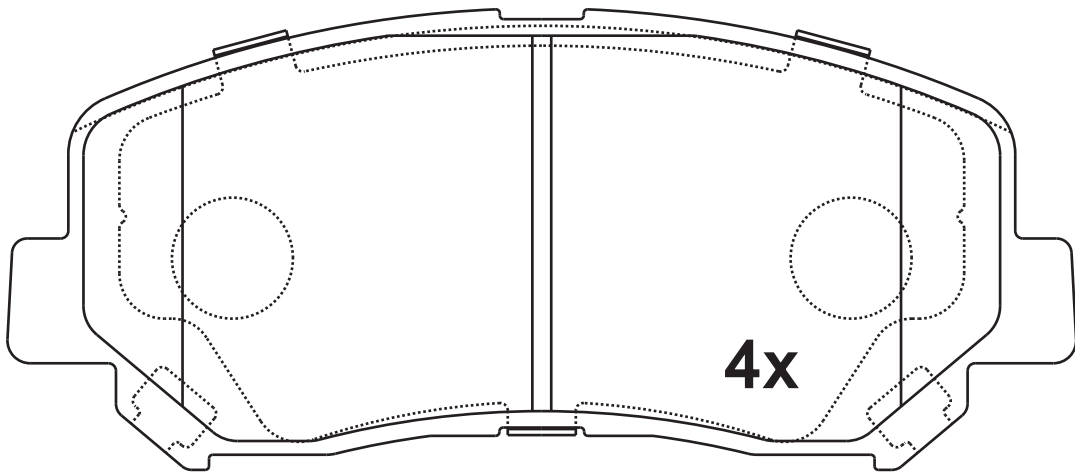
**Thickness
(mm)**

15.8



NOTE

4 identical;



25564



Apply for:

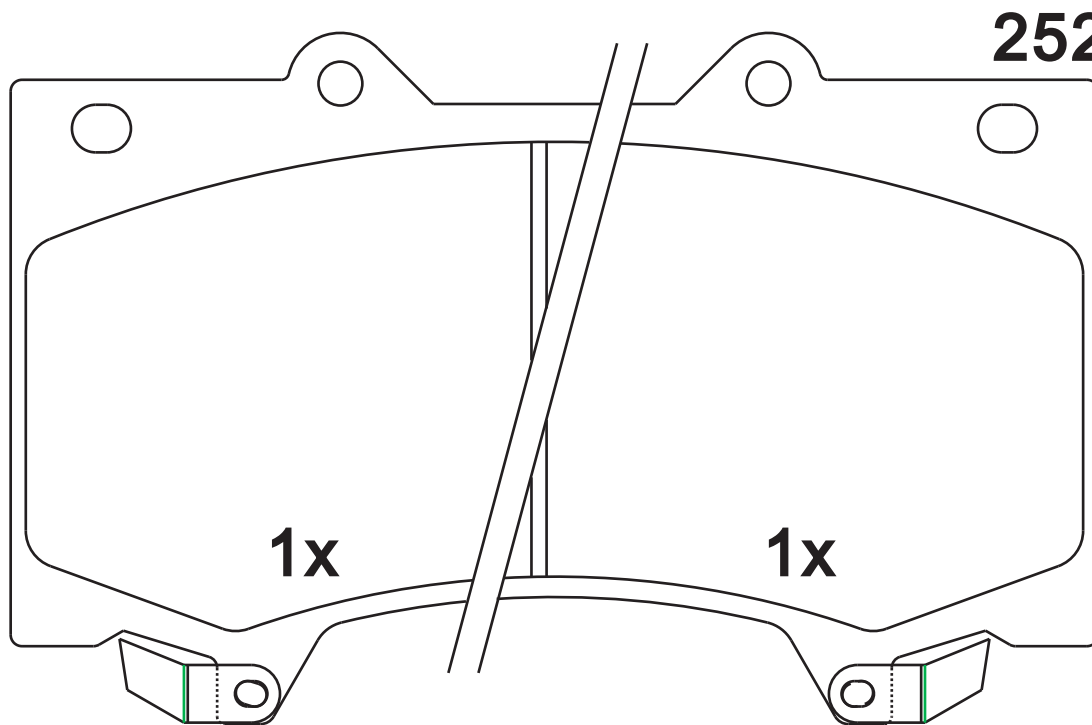
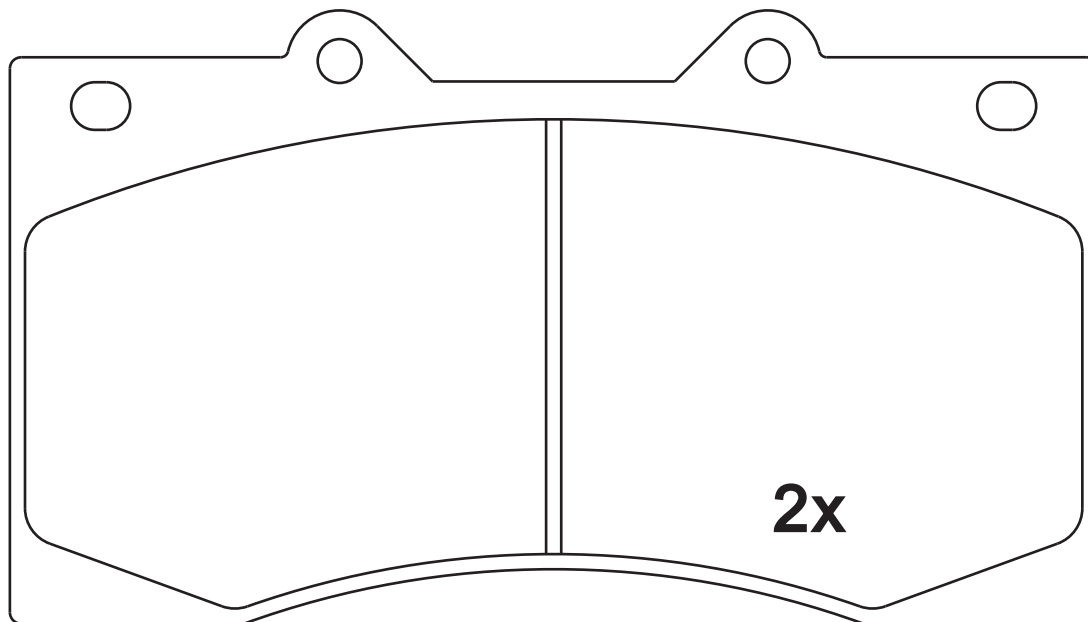
MAZDA CX-5

2013-2014

SR0722.01

Dimension (mm)	Thickness (mm)	
143.8×91.4 143.8×81.5	17.8	

NOTE
2 identical; 2 identical, 1 with acoustic indicator (left), 1 with acoustic indicator (right).



25242

25242

Apply for:

Nissan Patrol (Latin America)

2012-2014

SR0723.01

**Dimension
(mm)**

122.6×54

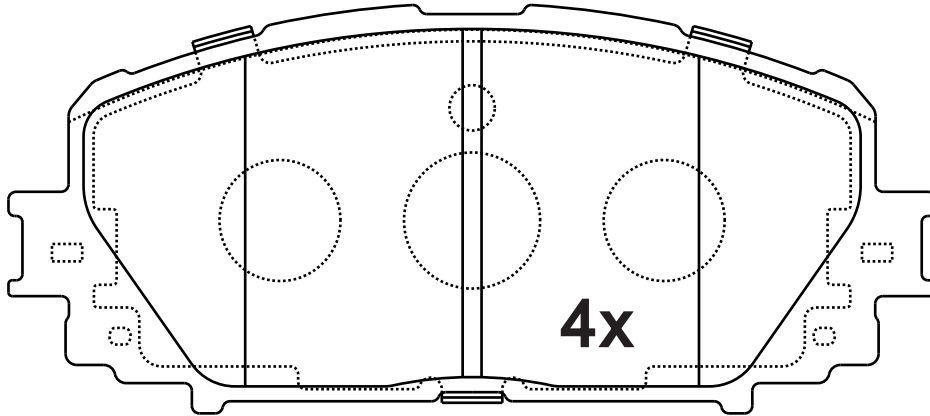
**Thickness
(mm)**

17.5



NOTE

4 identical;



24708

Apply for:

TOYOTA Yaris SE

2012-2014

SR0724.01

**Dimension
(mm)**

181.2×65.2

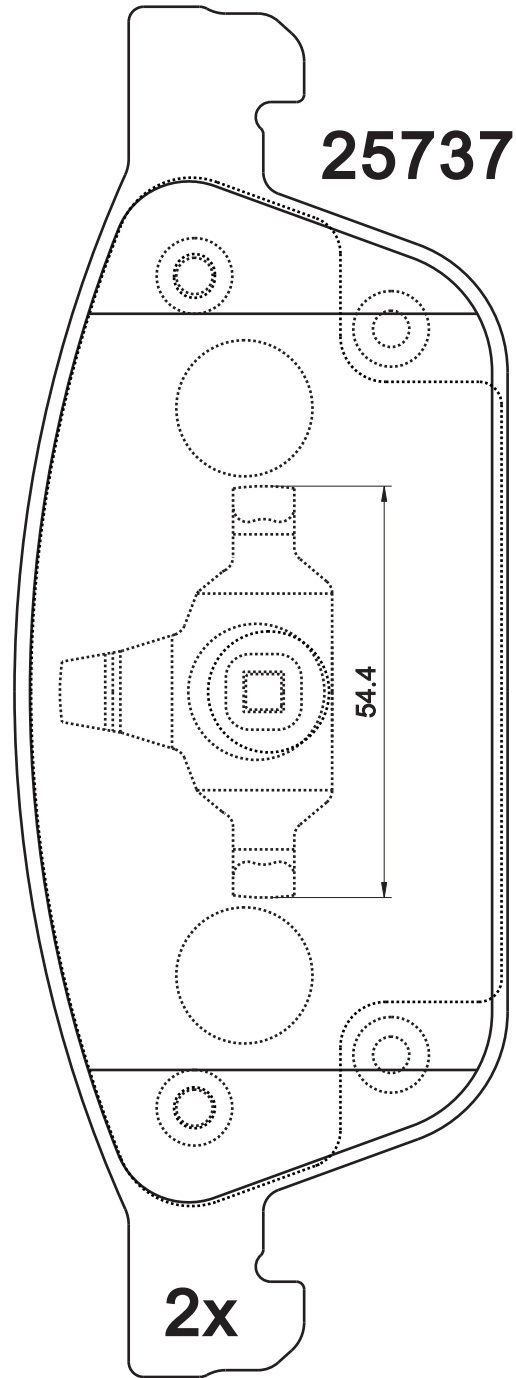
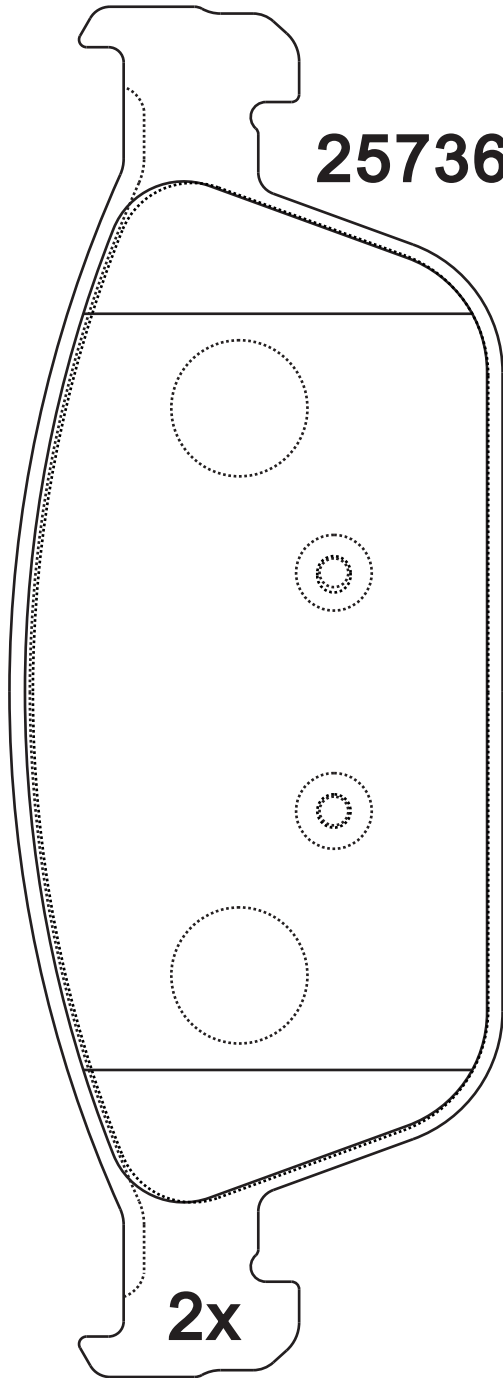
**Thickness
(mm)**

18



NOTE

2 identical; 2 identical ;



Apply for:

Ford Truck Escape 4WD

2013-2014

Ford Truck Transit Connect Wheelbase 120.6"

2014

SR0725.01

**Dimension
(mm)**

148.2×60.9

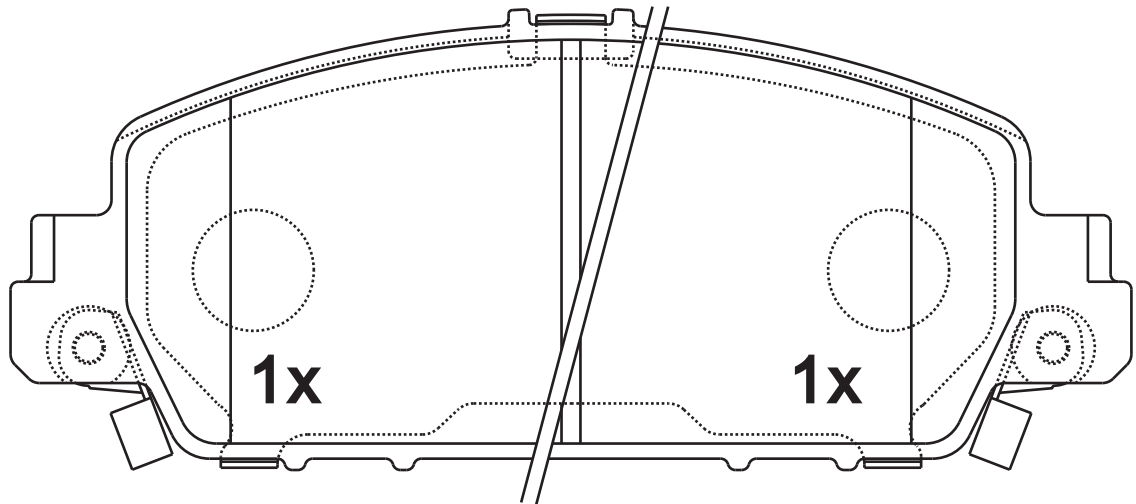
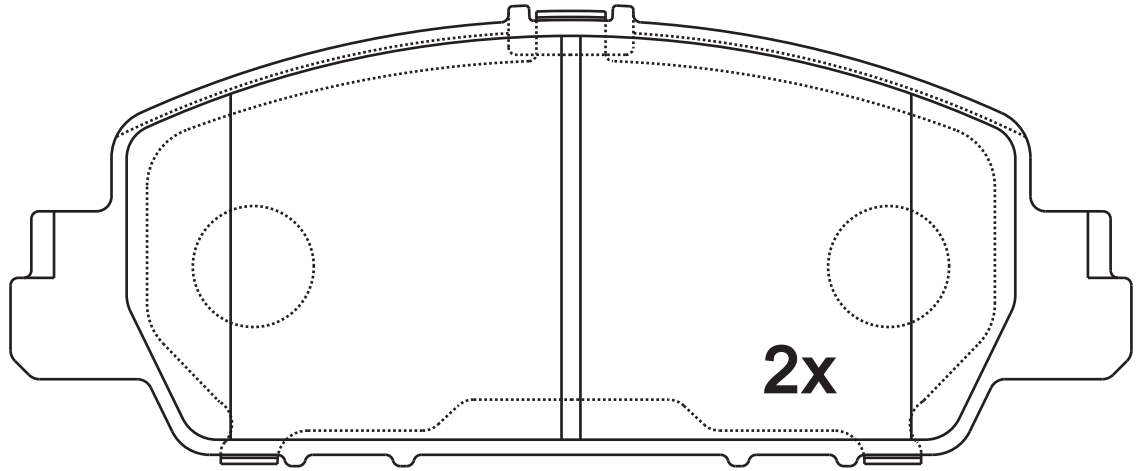
**Thickness
(mm)**

15.8



NOTE

2 identical; 2 identical, 1 with acoustic indicator (left), 1 with acoustic indicator (right).



D1654

Apply for:

Honda Accord

2013-2014

SR0725.02

**Dimension
(mm)**

148.2×60.9

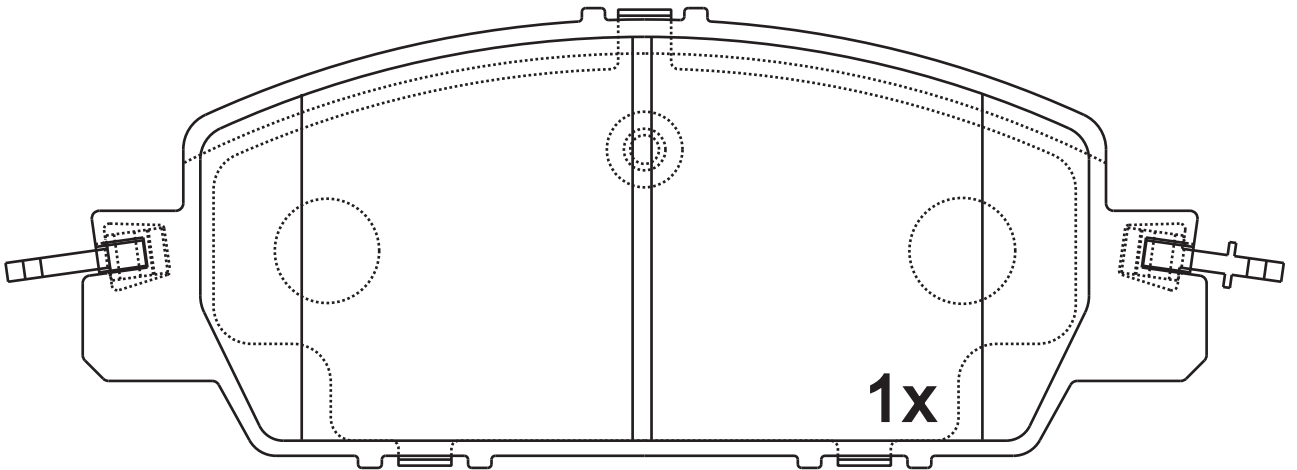
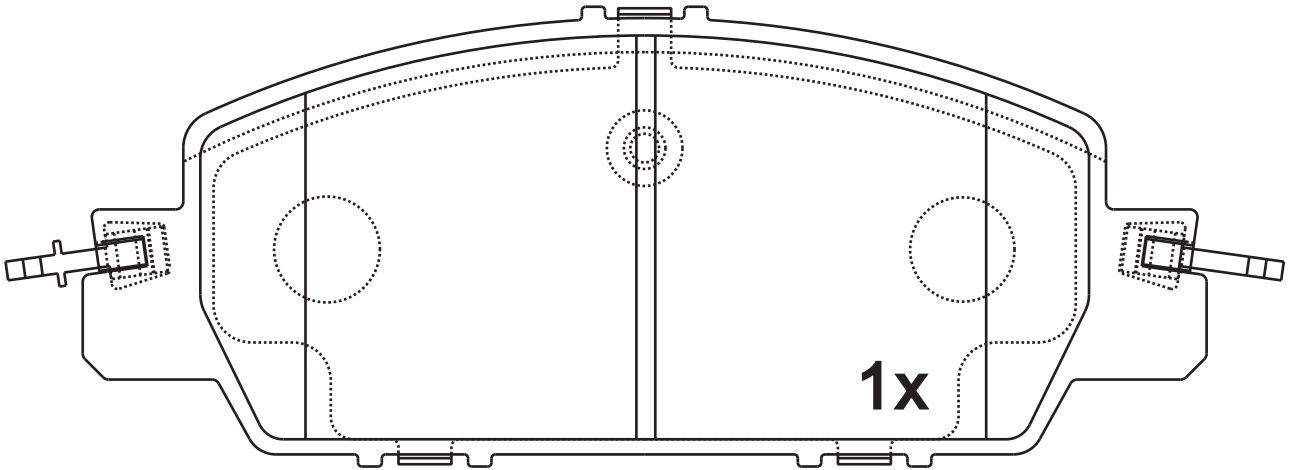
**Thickness
(mm)**

17.3



NOTE

2 identical; 2 identical, 1 with acoustic indicator (left), 1 with acoustic indicator (right).



D1860

Apply for:

Honda Accord LX-S

2016-

SR0725.02

**Dimension
(mm)**

148.2×60.9

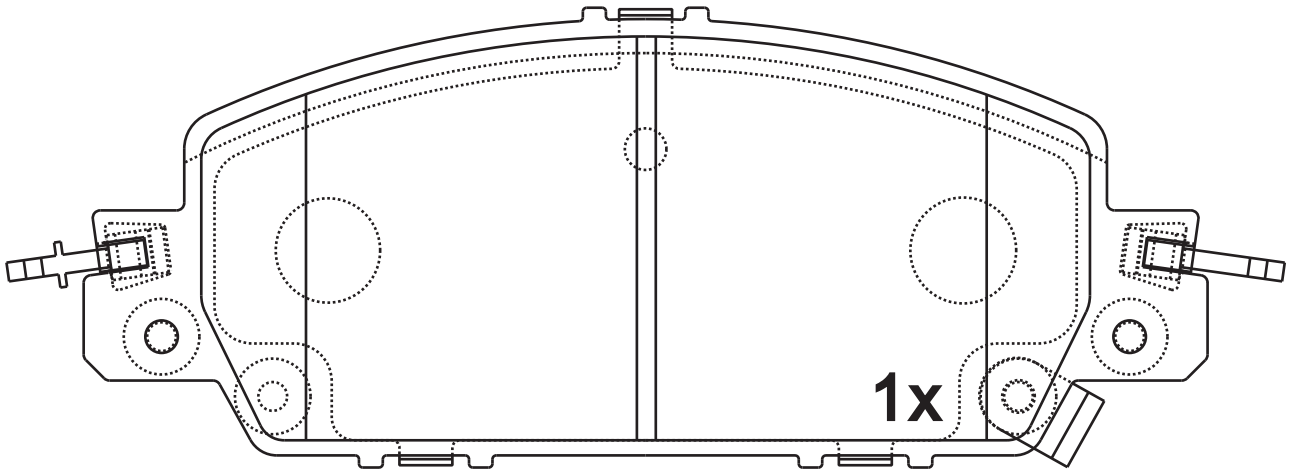
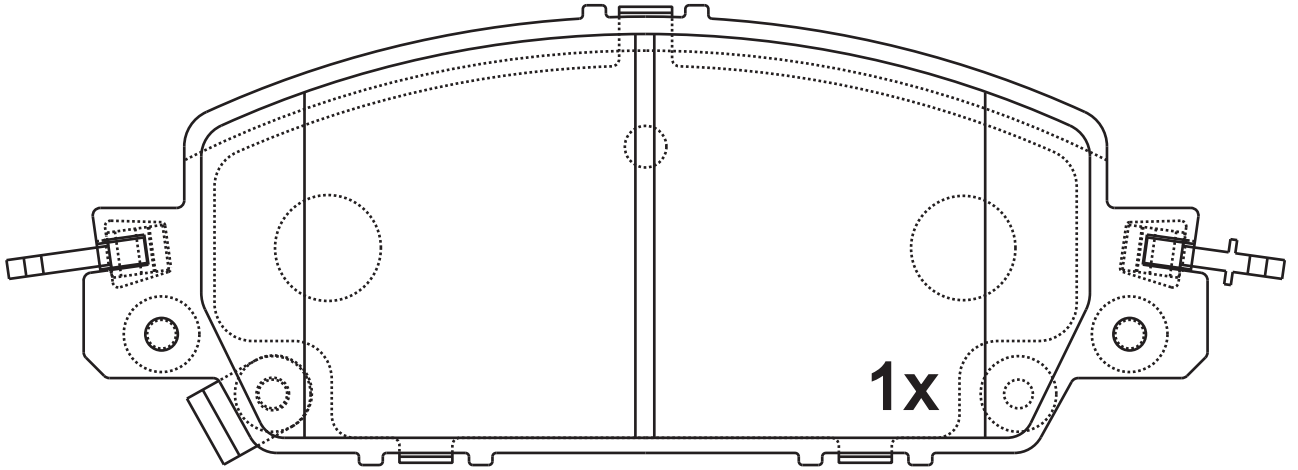
**Thickness
(mm)**

17.3



NOTE

2 identical; 2 identical, 1 with acoustic indicator (left), 1 with acoustic indicator (right).



D1860

Apply for:

Honda Accord LX-S

2016-

SR0726.01

**Dimension
(mm)**

148.1×59.9

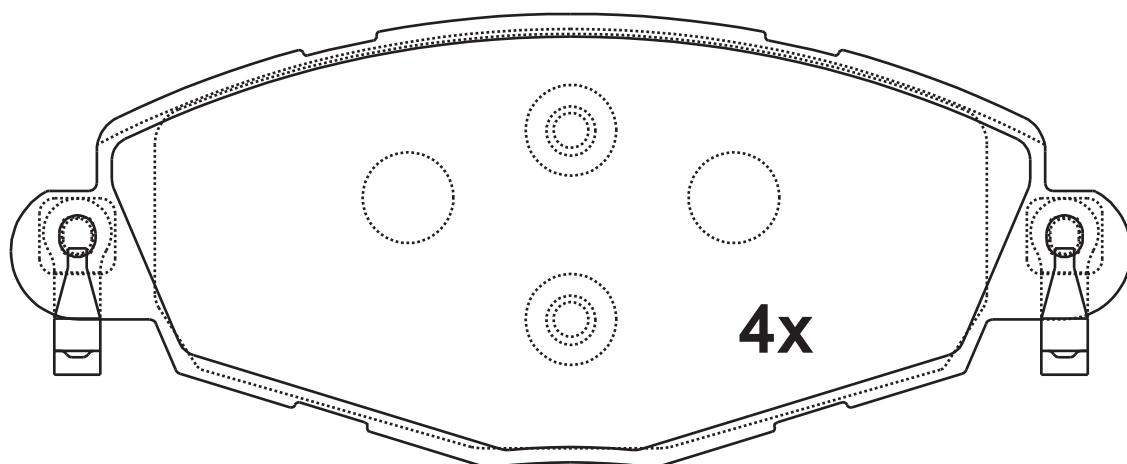
**Thickness
(mm)**

16



NOTE

4 identical;





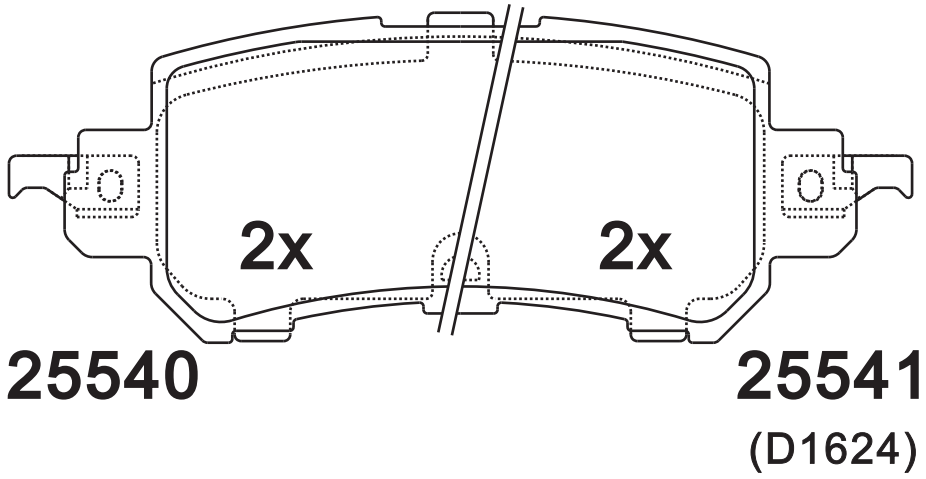
D1703

Apply for:

Dongfeng Yulong Luxgen (China)

2011-

SR0727.01	Dimension (mm)	Thickness (mm)		NOTE 2 identical ;2 identical ;
	104.6×43.4	14.4		



Apply for:

Mazda CX-5

2013-2014

SR0728.01

**Dimension
(mm)**

122.9×48.1
122.9×53

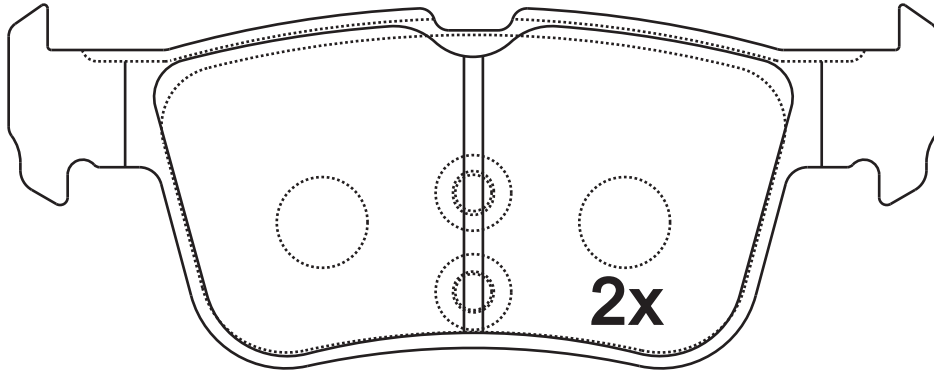
**Thickness
(mm)**

15

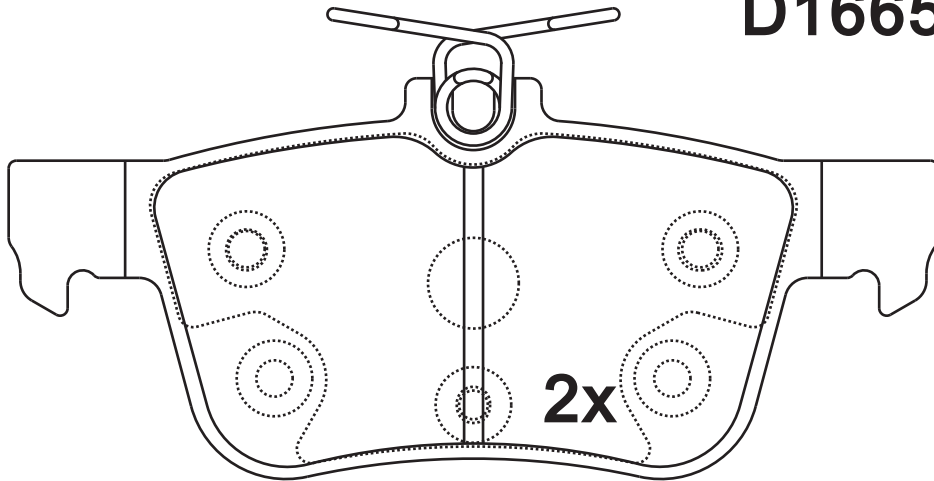


NOTE

2 identical;2 identical;



D1665





Apply for:

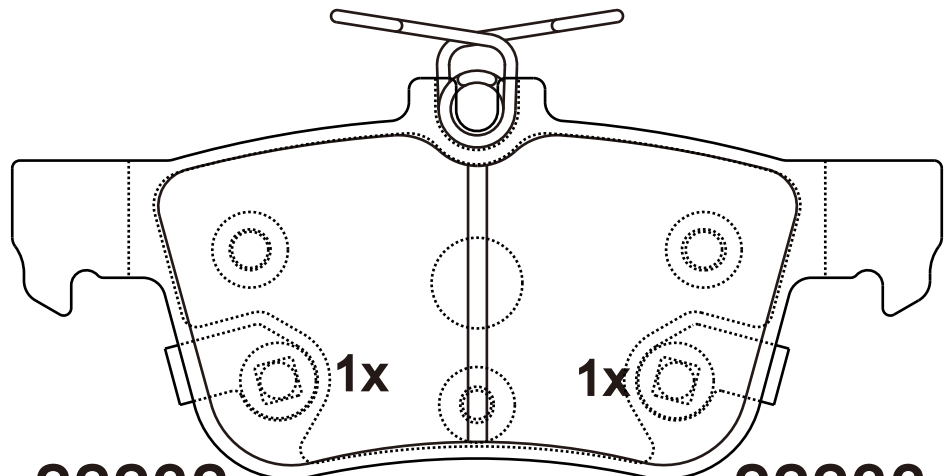
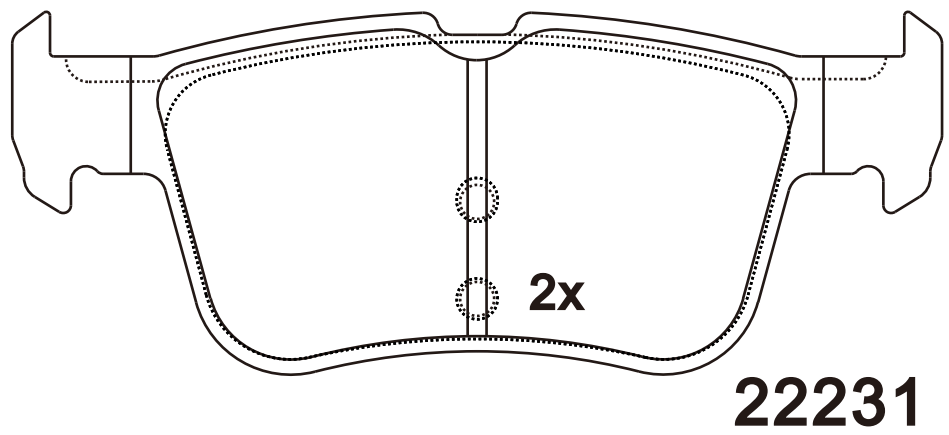
FORD Fusion
FORD Fusion Hybrid
LINCOLN MKC
LINCOLN MKZ
LINCOLN MKZ Hybrid

2013-2015
2013-2015
2015
2013-2015
2014-2015

SR0728.02

Dimension (mm)	Thickness (mm)	
123.2×53.4 123.2×48.5	15	

NOTE
2 identical;2 identical;



22232

22233

GDB2115

Apply for:

- | | |
|--------------------|-----------|
| FORD Fusion | 2013-2015 |
| FORD Fusion Hybrid | 2013-2015 |
| LINCOLN MKC | 2015 |
| LINCOLN MKZ | 2013-2015 |
| LINCOLN MKZ Hybrid | 2014-2015 |

SR0729.01

**Dimension
(mm)**

174.7×69.3

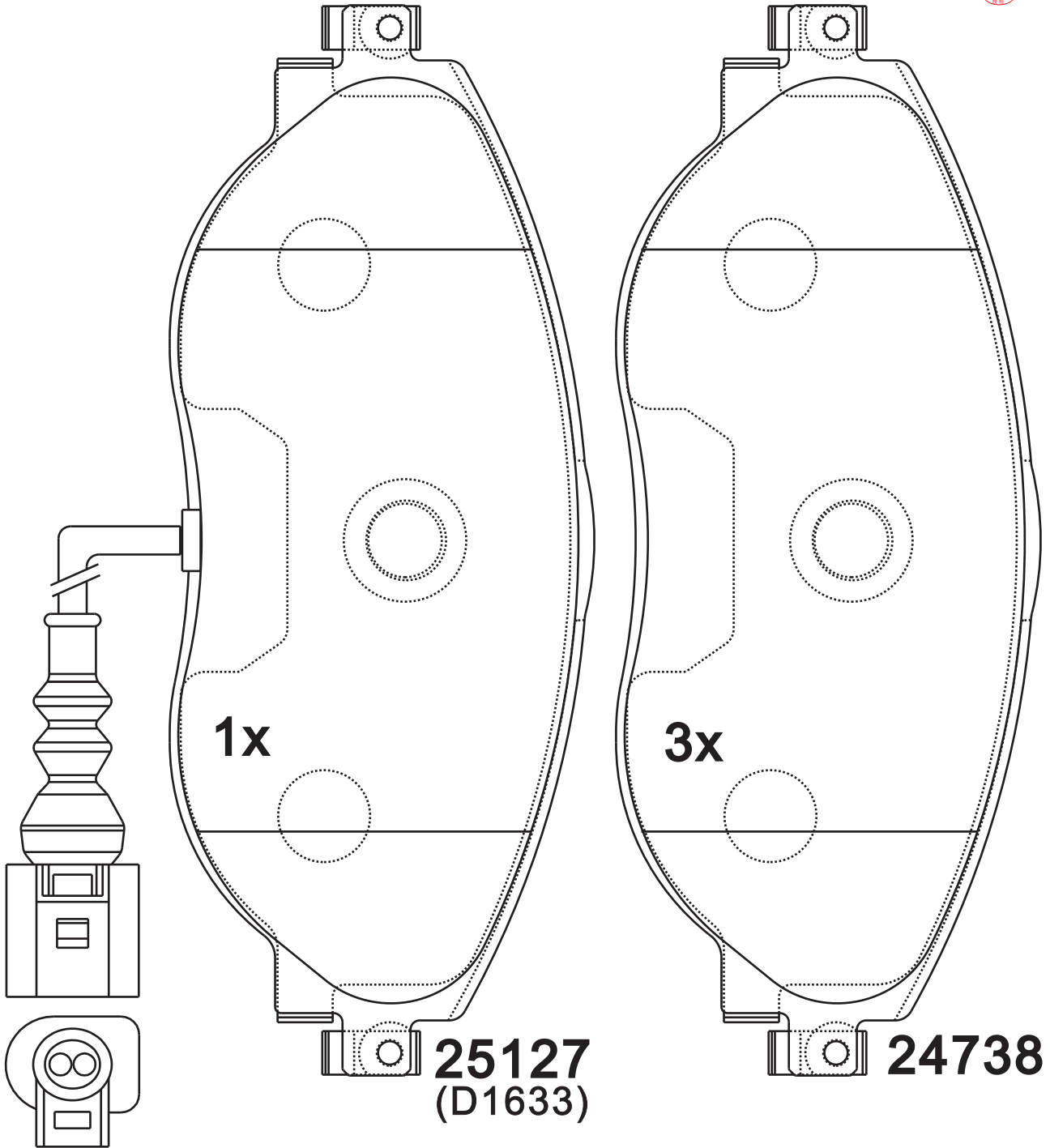
**Thickness
(mm)**

20



NOTE

**2 identical; 2 identical
with warn indicator.**



Apply for:

Audi S3
Volkswagen CC 4 Motion
Volkswagen Passat CC

2015-
2013-2014
2012-

SR0729.02

**Dimension
(mm)**

174.7×69.3

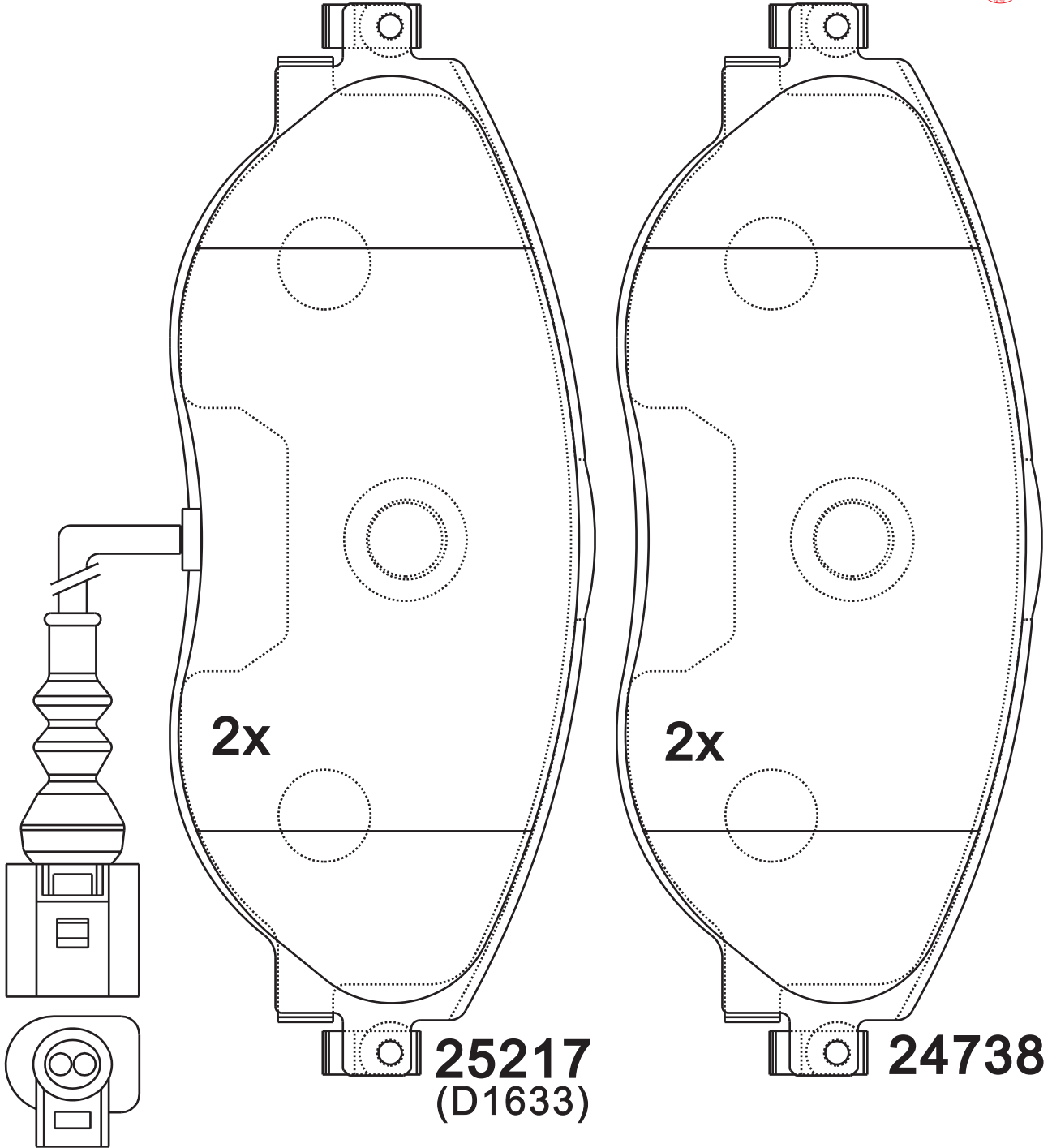
**Thickness
(mm)**

20



NOTE



**2 identical; 2 identical
with warn indicator.**

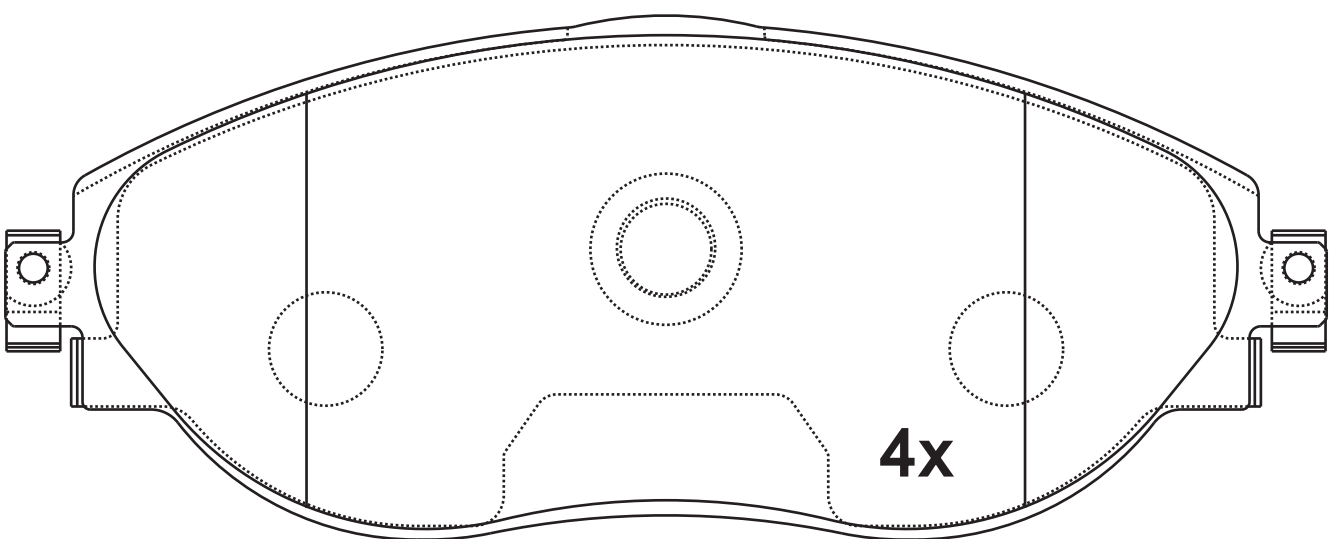


Apply for:

Audi S3
Volkswagen CC 4 Motion
Volkswagen Passat CC

2015-
2013-2014
2012-

SR0729.03	Dimension (mm)	Thickness (mm)		NOTE 4 identical;
	175.2×69.7	20		



24738

Apply for:

- | | | |
|----|--------------------------|-------|
| 大众 | ARTEON (3H7) 1.5 Tsi | 2017- |
| 大众 | ARTEON (3H7) 2.0 TDI | 2017- |
| 奥迪 | Q3 (F3B) 45 TFSI quattro | 2018- |
| 奥迪 | Q3 (F3B) 40 TDI | 2018- |

SR0729

**Dimension
(mm)**

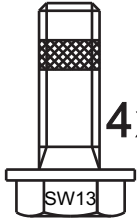
**Thickness
(mm)**



NOTE

附件包

Accessory kit



4x



M8X22

L0035

FJB0729.01

SR0730.01

**Dimension
(mm)**

122.4×56
122.4×61.8

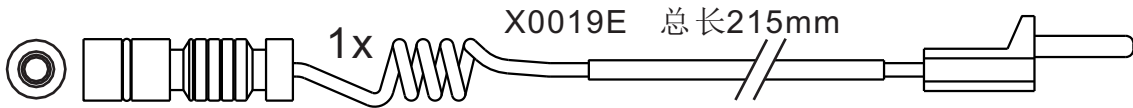
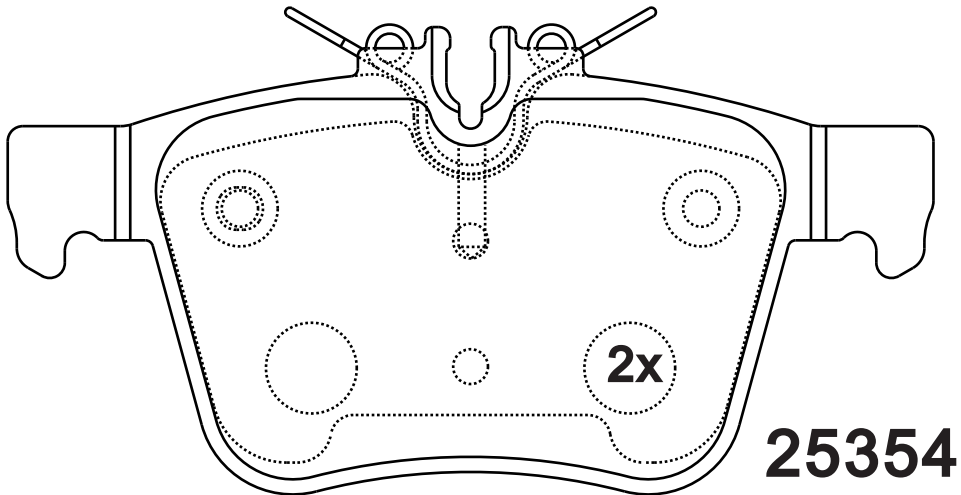
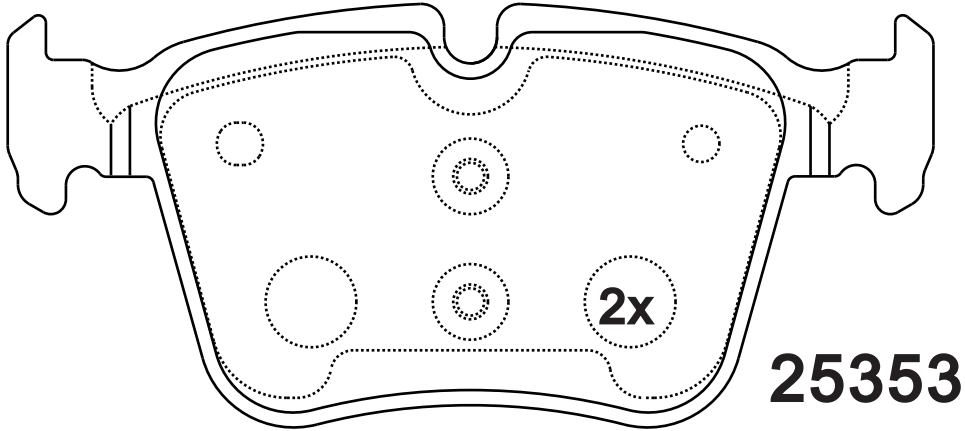
**Thickness
(mm)**

16.2



NOTE

2 identical;2 identical;



FJB1X0019E

Apply for:

Mercedes Benz C300	2015-
Mercedes Benz C300 AMG Package	2015-
Mercedes Benz C400	2015-

SR0730.02

**Dimension
(mm)**

122.4×59.4/56.1

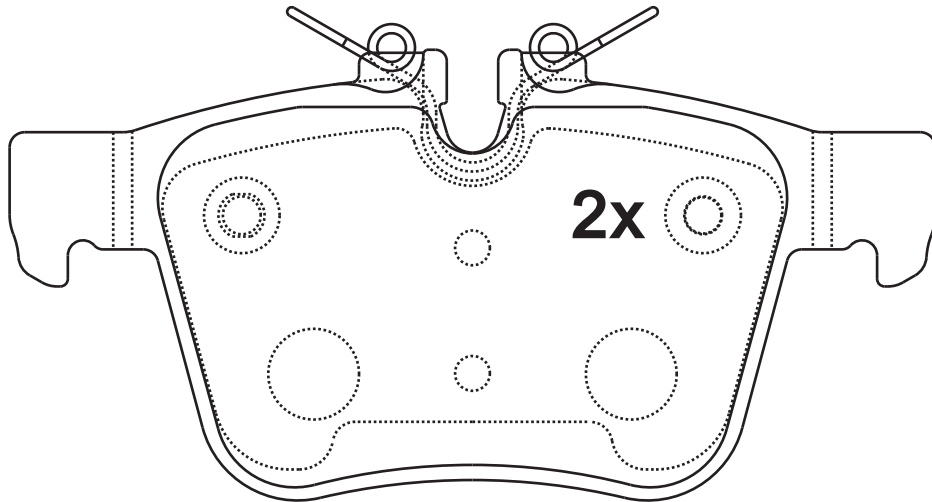
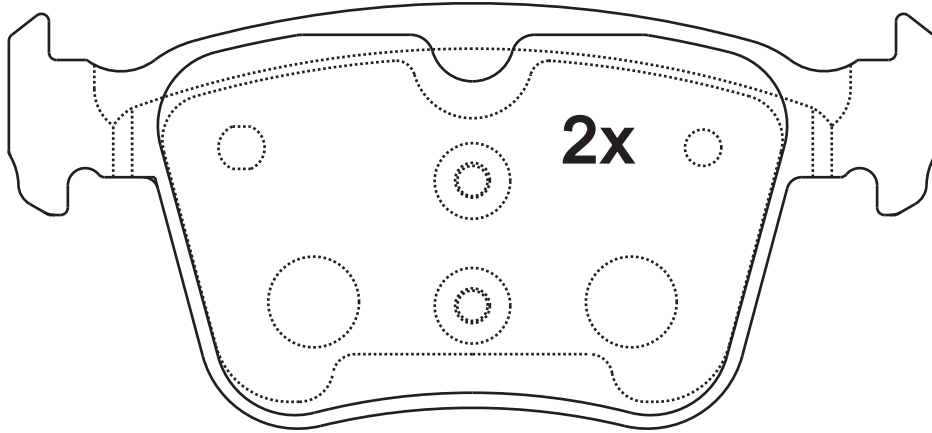
**Thickness
(mm)**

16.2



NOTE

2 identical;2 identical;



D1821

Apply for:

Land Rover Discovery Sport

2015-

SR0730.03

**Dimension
(mm)**

122.4×56
122.4×61.8

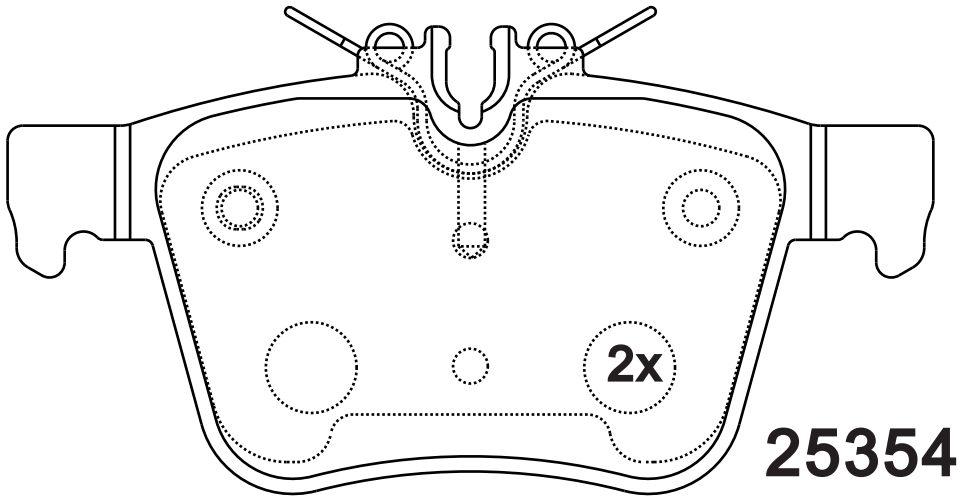
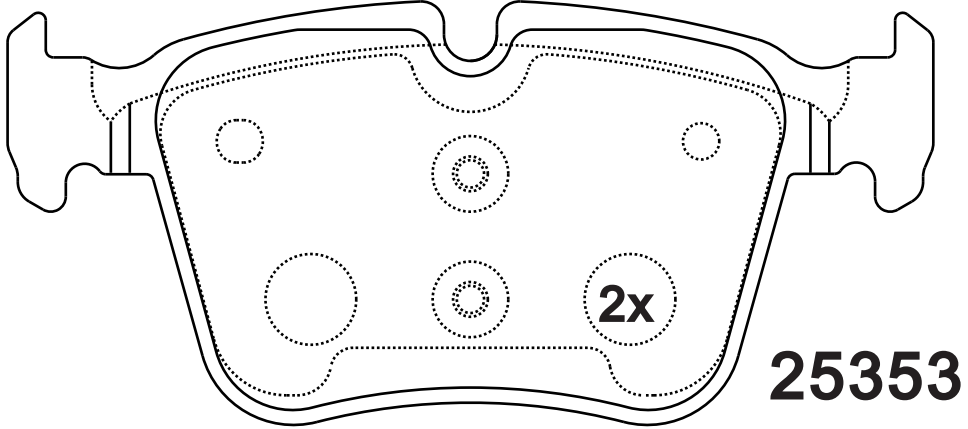
**Thickness
(mm)**

16.2



NOTE

2 identical;2 identical;



Apply for:

- | | |
|--------------------------------|-------|
| Mercedes Benz C300 | 2015- |
| Mercedes Benz C300 AMG Package | 2015- |
| Mercedes Benz C400 | 2015- |

SR0730

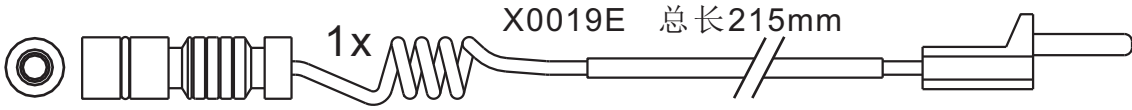
**Dimension
(mm)**

**Thickness
(mm)**

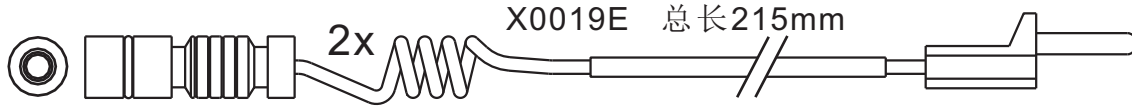


NOTE



**附件包
Accessory bag**



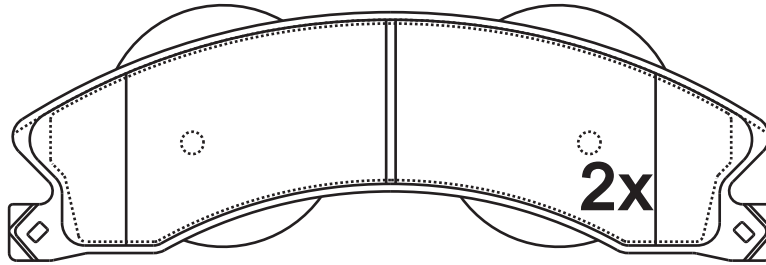
FJB1X0019E



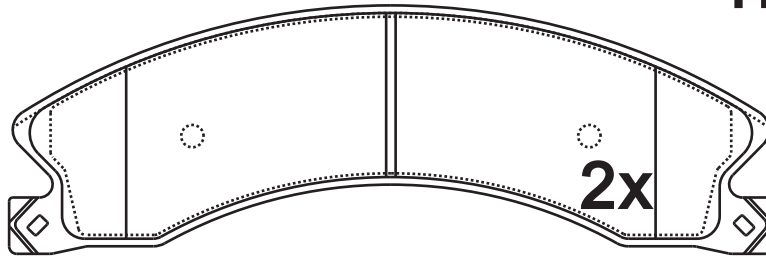
FJB2X0019E

SR0731.01	Dimension (mm)	Thickness (mm)		NOTE
	201.9×65.6	19.7		2 identical;2 identical;

无模具



1:2



D1411-8523

Apply for:

Chevrolet Truck C3500	2011
Chevrolet Truck Express 3500 GVW 8600 Cutaway	2011-2012
Chevrolet Truck Express 4500	2009-2013
Chevrolet Truck K3500	2011
Chevrolet Truck Silverado 3500 HD	2011-2014
GMC Truck C2500	2011
GMC Truck Savana 3500 GVW 8600 Cutaway	2011-2012
GMC Truck Savana 4500	2009-2013
GMC Truck Sierra 3500 HD	2011-2013

SR0732.01

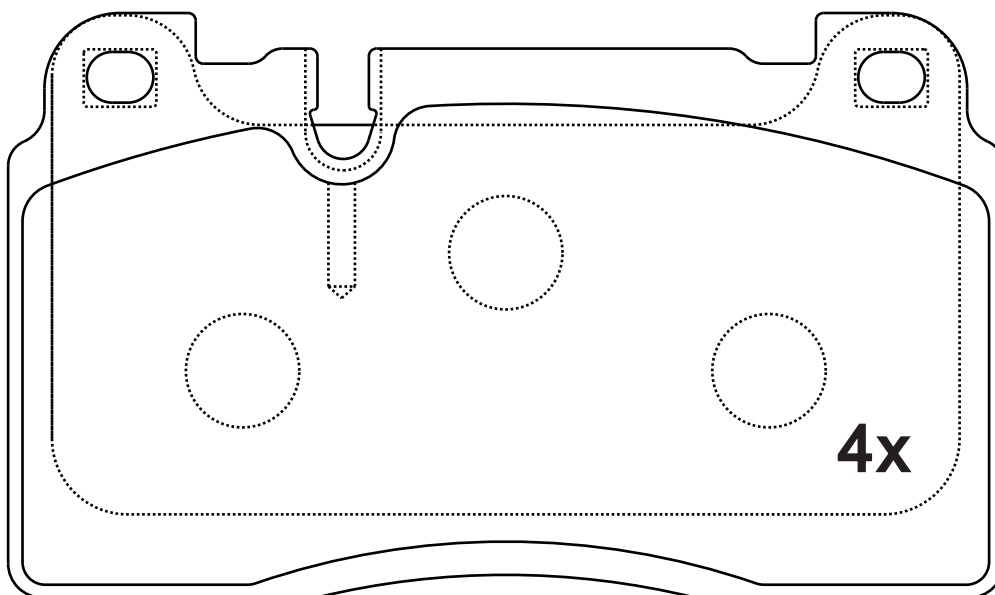
**Dimension
(mm)**

**Thickness
(mm)**



NOTE

4 identical;



25643

Apply for:

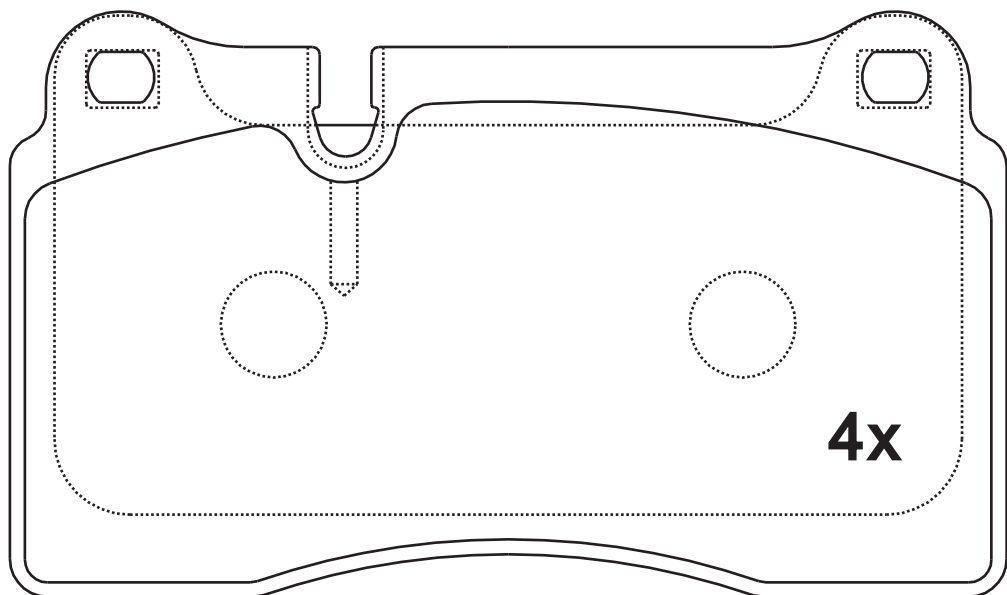
Audi Q5

2013-2014

SR0732.02

Dimension (mm)	Thickness (mm)	
131.8×77.4	17	

NOTE
4 identical;



24098

Apply for:

- | | |
|------------------------|-----------|
| CHEVROLET Camaro LS | 2015 |
| CHEVROLET Corvette Z06 | 2011 |
| CHEVROLET Corvette ZR1 | 2009-2013 |
| FERRARI 360 | 2000-2004 |
| VOLKSWAGEN Touareg | 2006-2012 |

SR0732

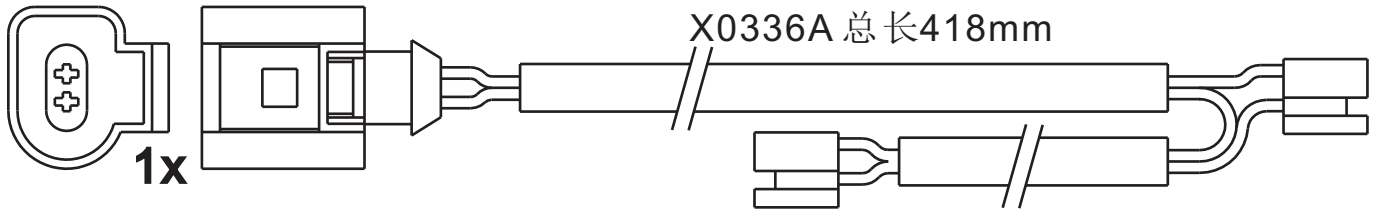
**Dimension
(mm)**

**Thickness
(mm)**



NOTE

**附件包
Accessory bag**



1x

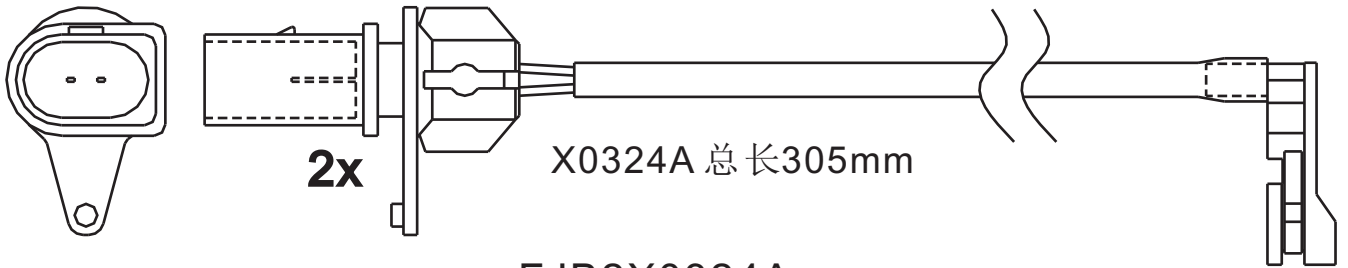
FJB1X0336A

1x

X0345A 总长345mm

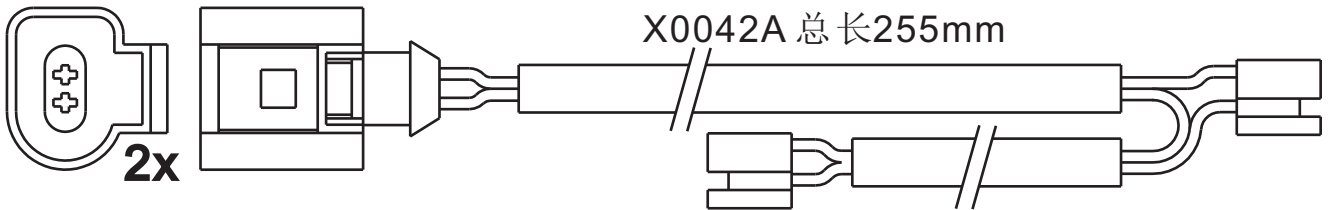


FJB1X345A



2x

FJB2X0324A



2x

FJB2X0042A

SR0733.01

**Dimension
(mm)**

148.1×60.3

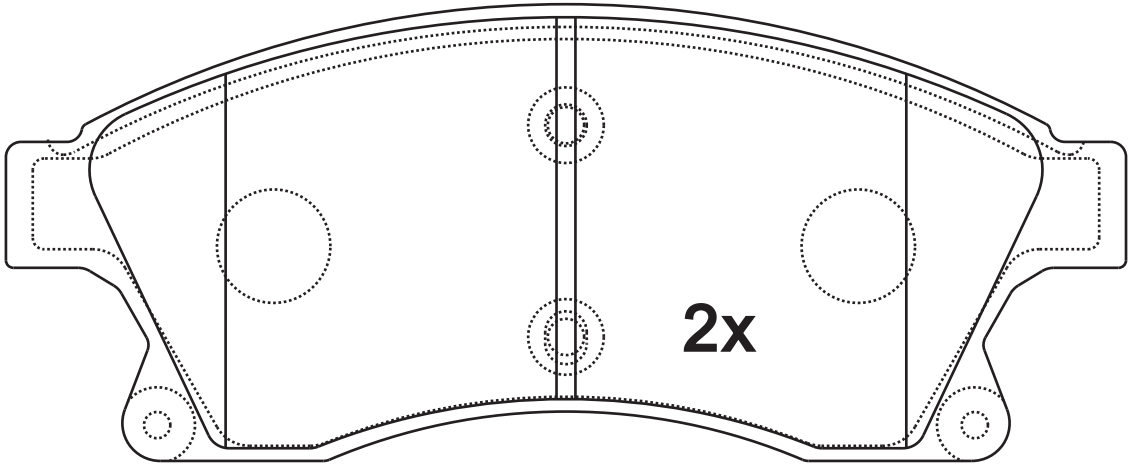
**Thickness
(mm)**

18.8

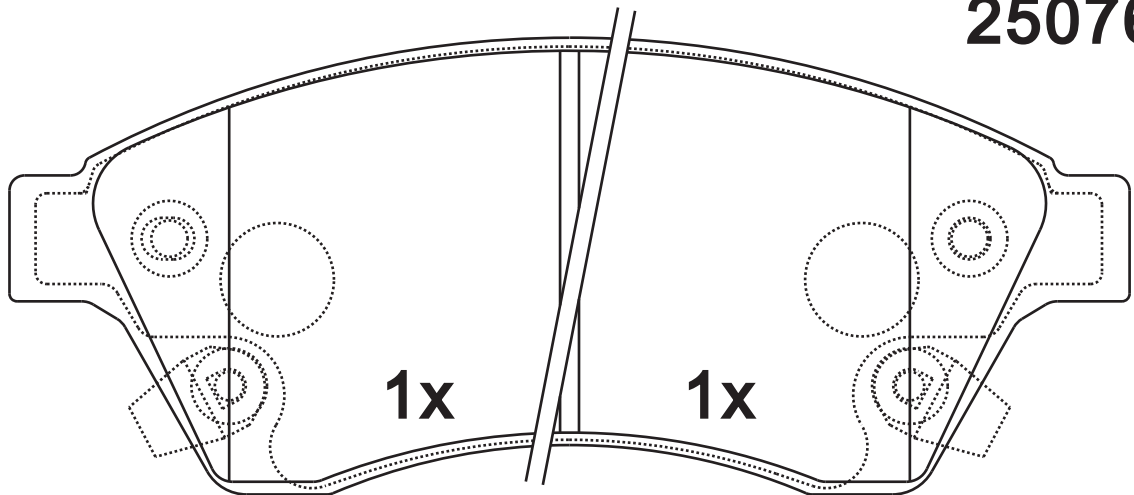


NOTE

4 identical;



25076



25078

25077

Apply for:

Chevrolet Cruze(ALL Models)

09-

SR0734.01

**Dimension
(mm)**

103.6×55.6

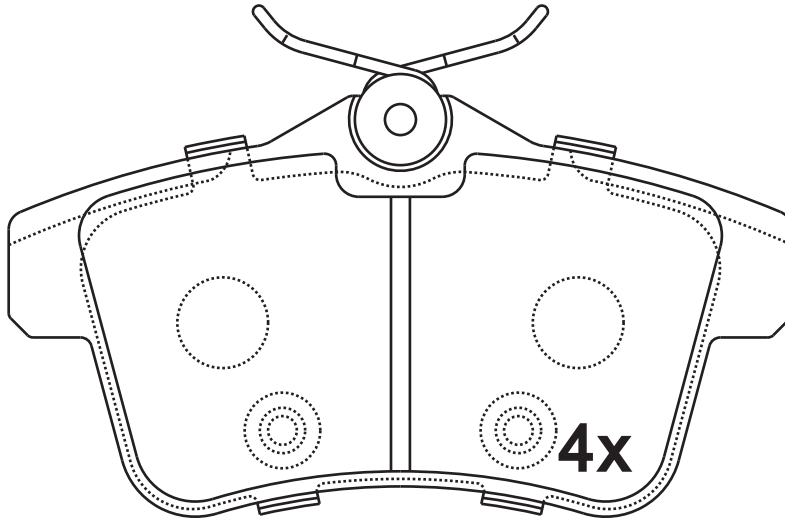
**Thickness
(mm)**

17.3



NOTE

4 identical ;




24922

Apply for:

**Citroen C4 li (B7)
Peugeot 3008 Mpv (0U_
Peugeot (Df-Psa) 3008**

**2009/02-
2009/06-2016/12
2013/01-**

SR0734.02	Dimension (mm)	Thickness (mm)		NOTE



取消 SR0734.02=SR0734.01+FJB0280.01

Apply for:

雪铁龙 C4 II (B7)
雪铁龙 DS4

2009/11-
2011/04-

SR0734

**Dimension
(mm)**

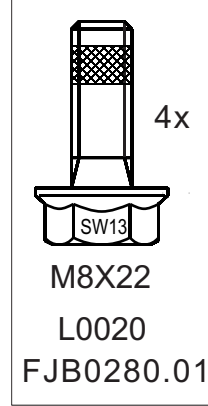
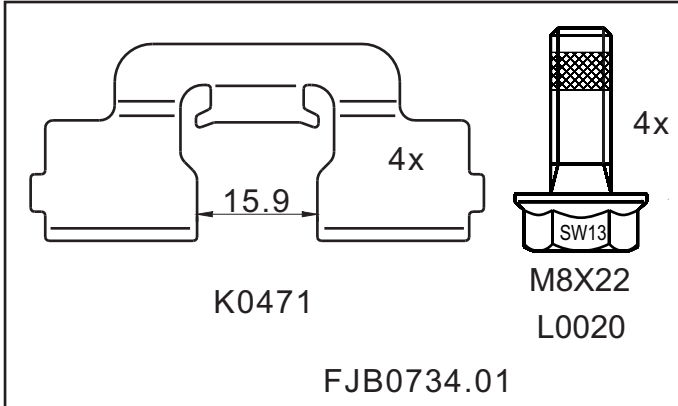
**Thickness
(mm)**



NOTE

附件包

Accessory kit



SR0735.01

**Dimension
(mm)**

123.8×52.7

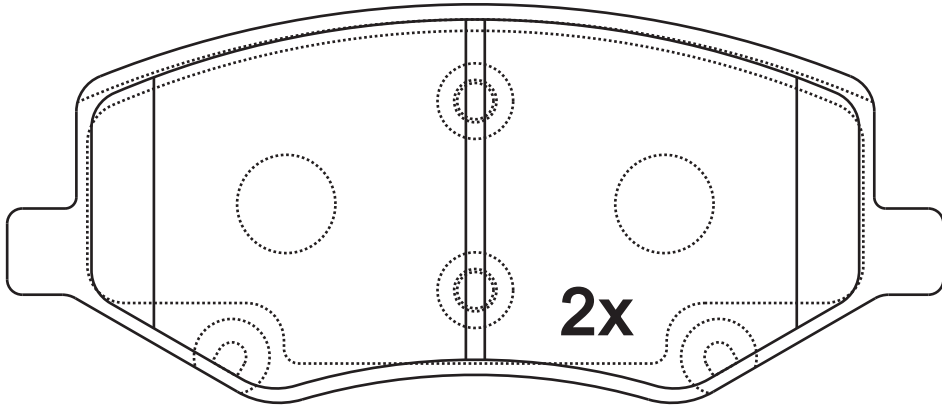
**Thickness
(mm)**

16.8

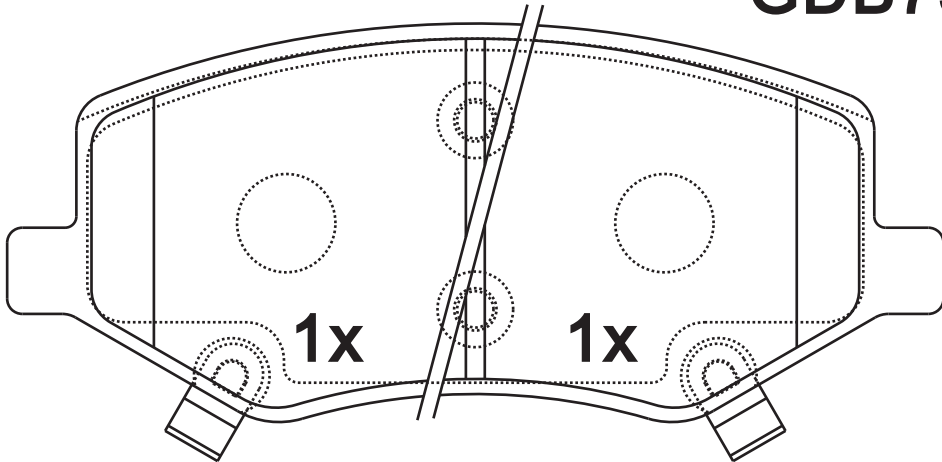


NOTE

2 identical; 2 identical, 1 with acoustic indicator (left), 1 with acoustic indicator (right).



GDB7973





Apply for:

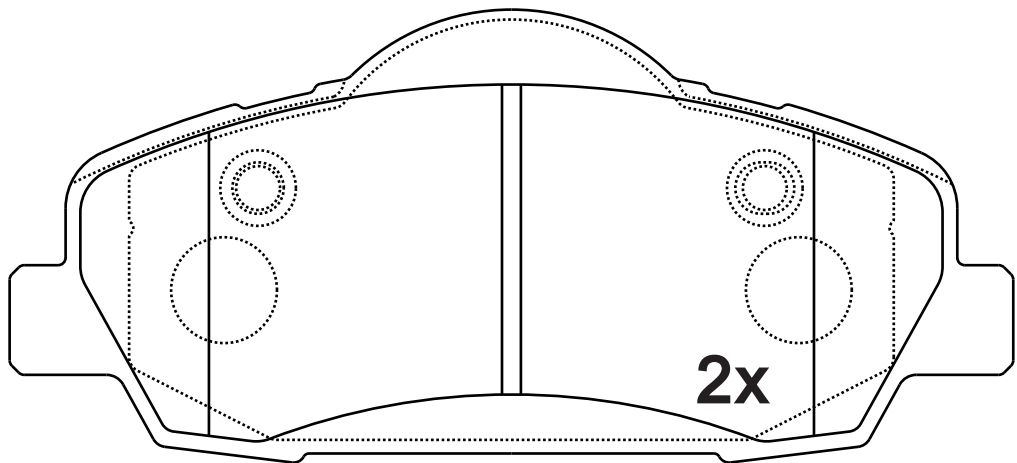
Jac Refine S3 Closed Off-Road Vehicle

2014/08-

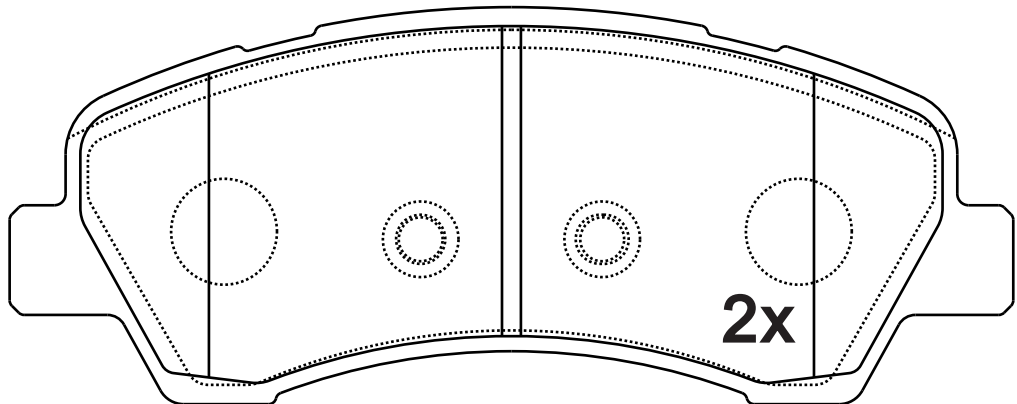
SR0736.01

Dimension (mm)	Thickness (mm)	
132.7×59.9 132.7×52.5	17.8	

NOTE
2 identical; 2 identical;



25251



25250

Apply for:

Citroen c-Elysee 1.2 VTi, 1.6 VTi, 1.6 HDi
Peugeot 301 1.2 VTi, 1.6 VTi, 1.6 HDi,

2012/06-
2012/10-

SR0736

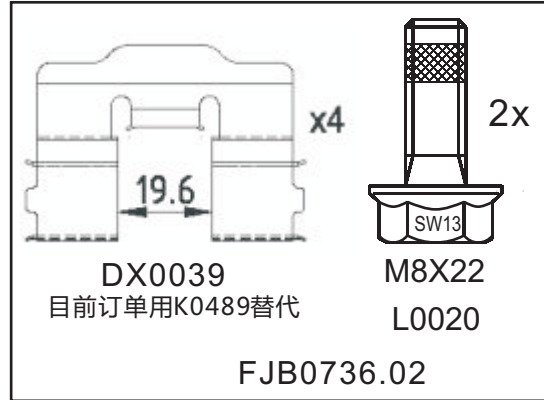
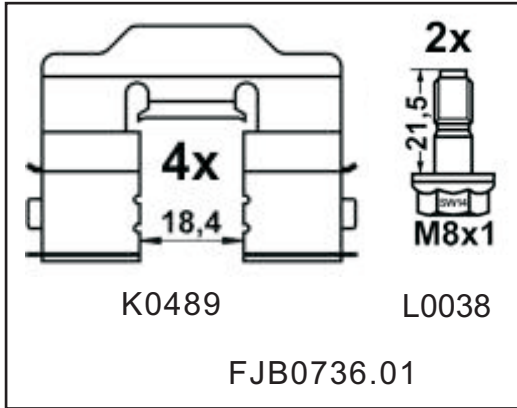
**Dimension
(mm)**

**Thickness
(mm)**



NOTE

**附件包
Accessory bag**



SR0737.01

**Dimension
(mm)**

155.5×76
154.8×66.2

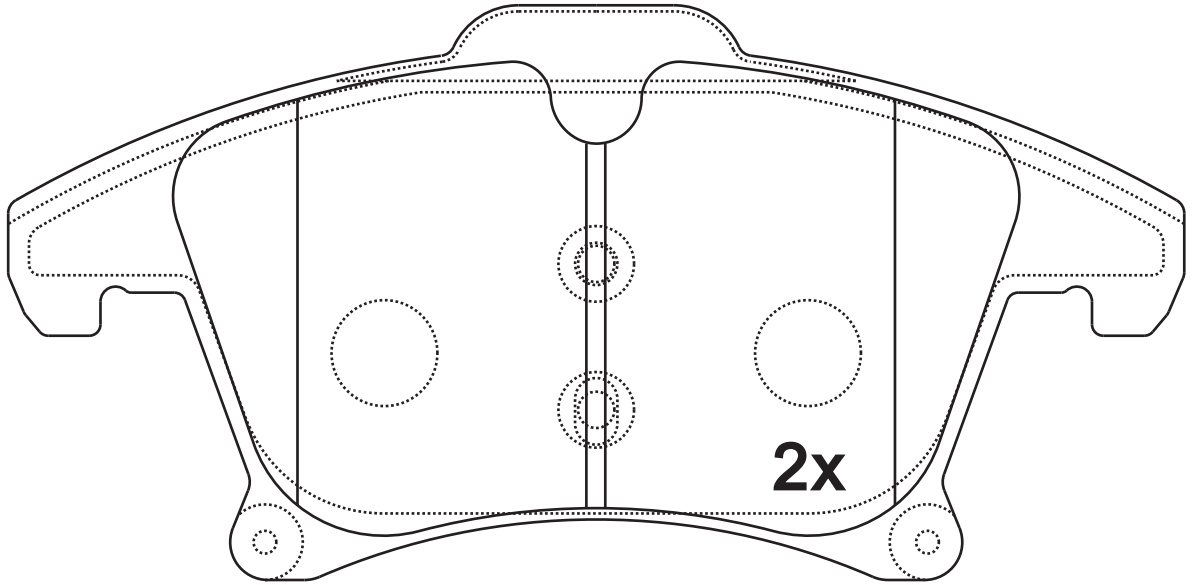
**Thickness
(mm)**

19

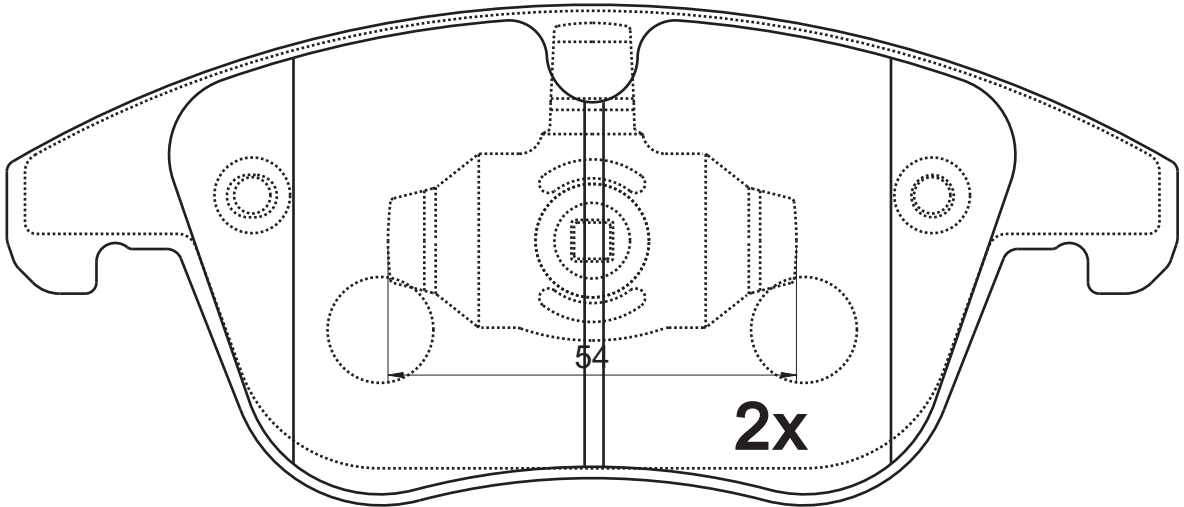


NOTE

2 identical; 2 identical;



D1653



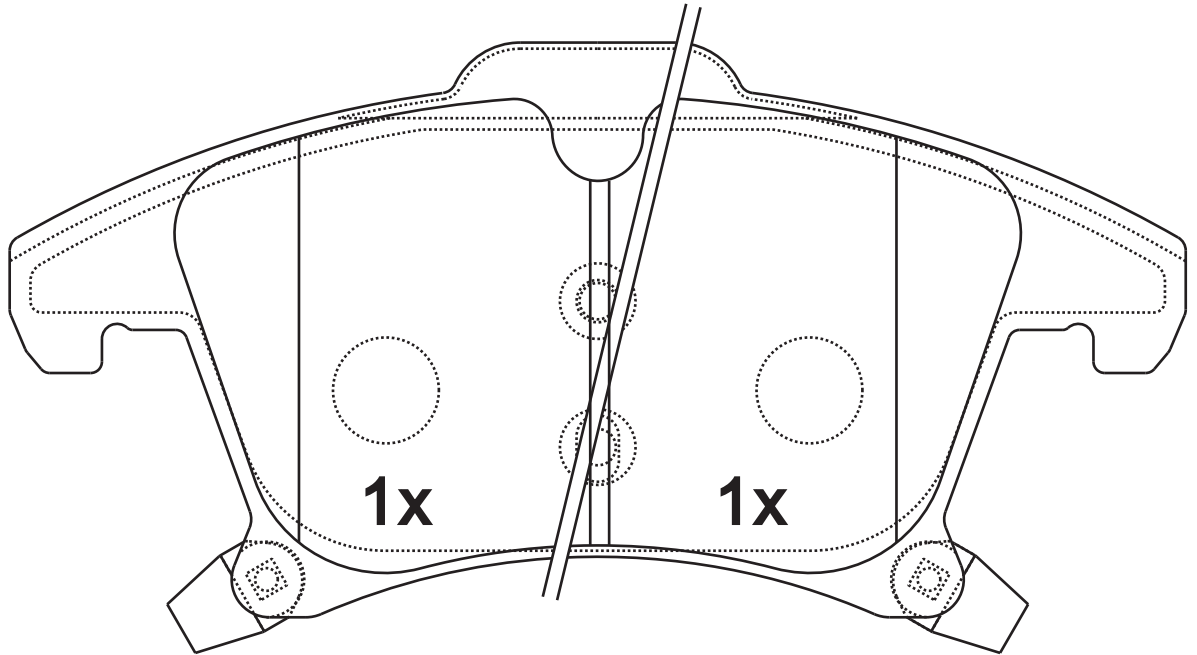
Apply for:

- | | |
|--------------------|-----------|
| Ford Fusion | 2013-2014 |
| Ford Fusion Hybrid | 2013-2014 |
| Lincoln MKZ | 2013-2014 |
| Lincoln MKZ Hybrid | 2014 |

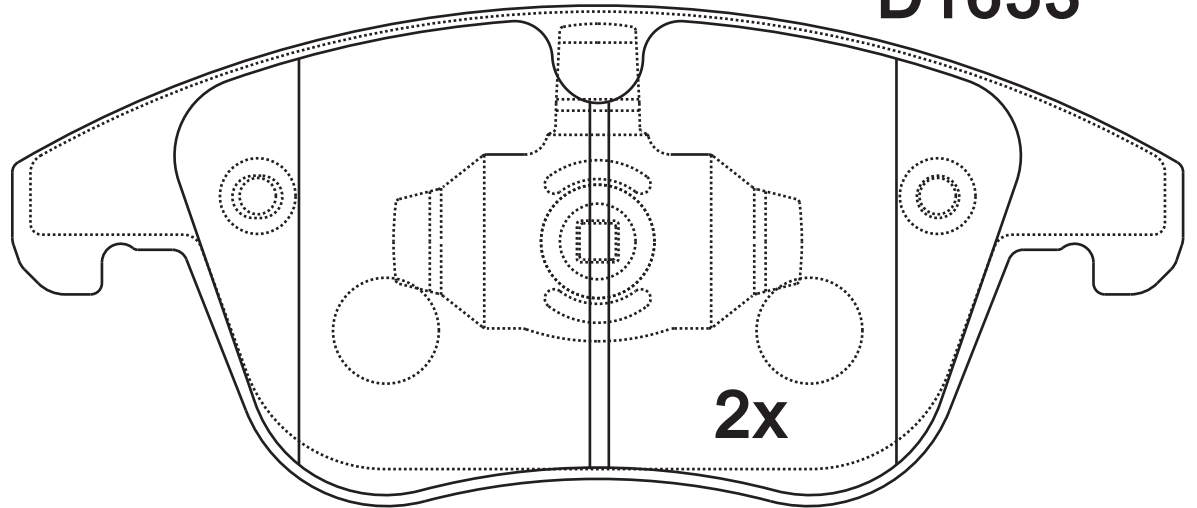
SR0737.02

Dimension (mm)	Thickness (mm)	
155.2×66.6 155.7×75.5	19	

NOTE
2 identical;2 identical;



D1653



Apply for:

- | | |
|--------------------|-----------|
| Ford Fusion | 2013-2014 |
| Ford Fusion Hybrid | 2013-2014 |
| Lincoln MKZ | 2013-2014 |
| Lincoln MKZ Hybrid | 2014 |

SR0738.01

**Dimension
(mm)**

115.7×47.6

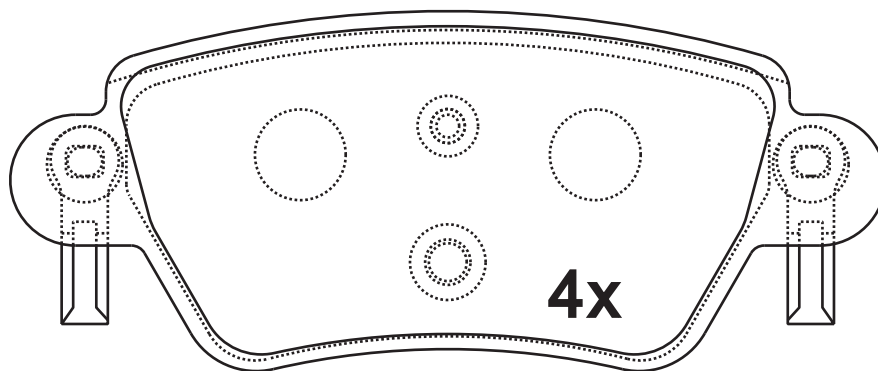
**Thickness
(mm)**

15.8



NOTE

4 identical;



D1704

Apply for:

Dongfeng Yulong Luxgen (China)

2011

SR0739.01

**Dimension
(mm)**

126.4×56.4

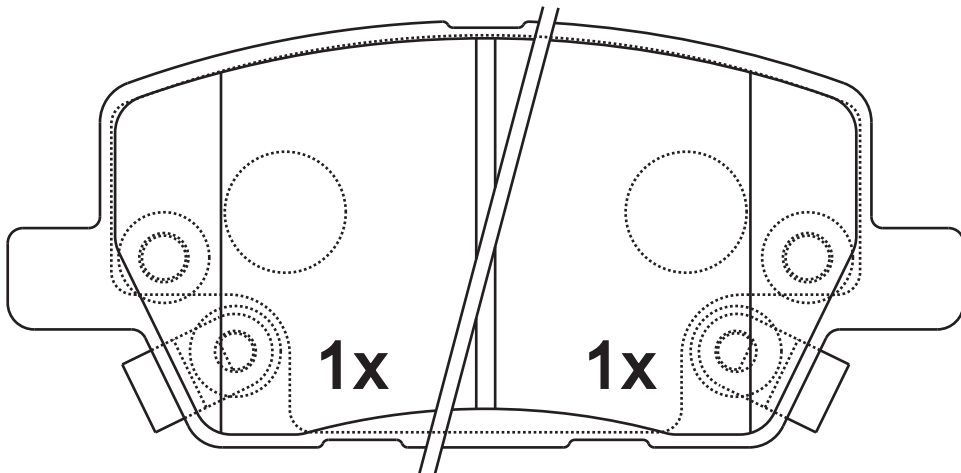
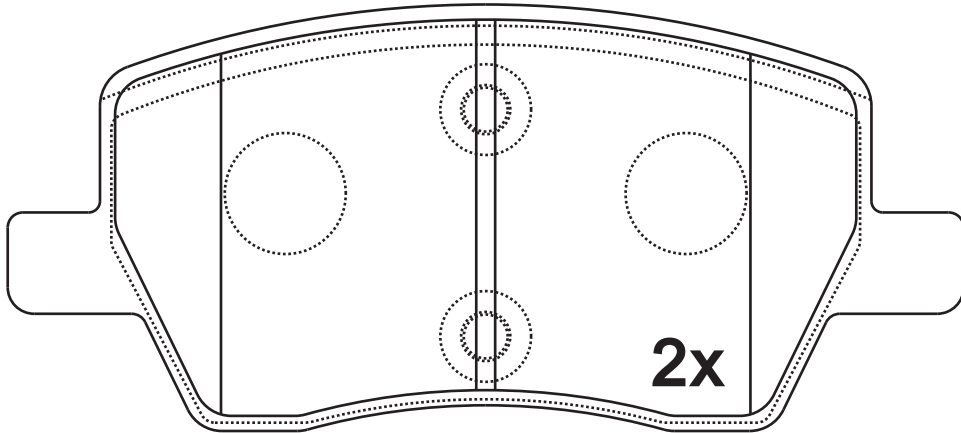
**Thickness
(mm)**

17.8



NOTE

4 identical, 1 with acoustic indicator (left), 1 with acoustic indicator (right).



Apply for:

1 Buick (Sgm) Verano
Chevrolet (Sgm) Cruze Saloon

2015/06-
2014/03-

SR0740.01

**Dimension
(mm)**

133.3×55.7
133.5×61.6

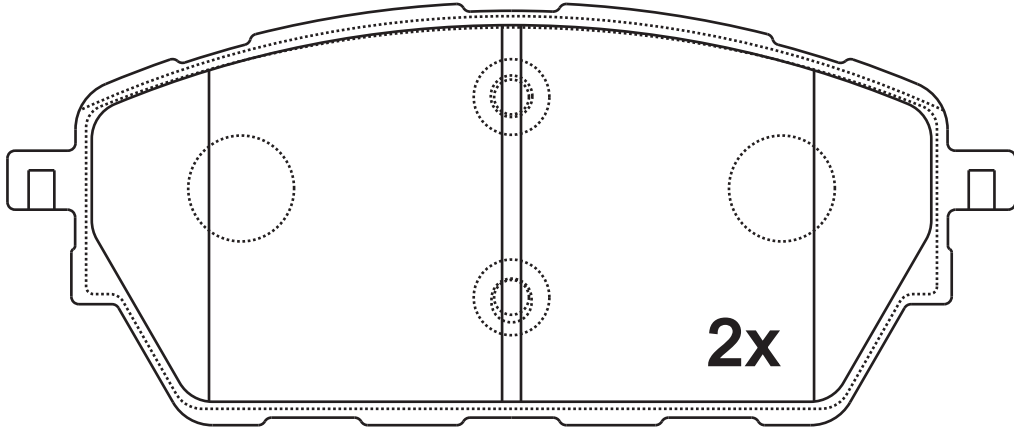
**Thickness
(mm)**

18.2

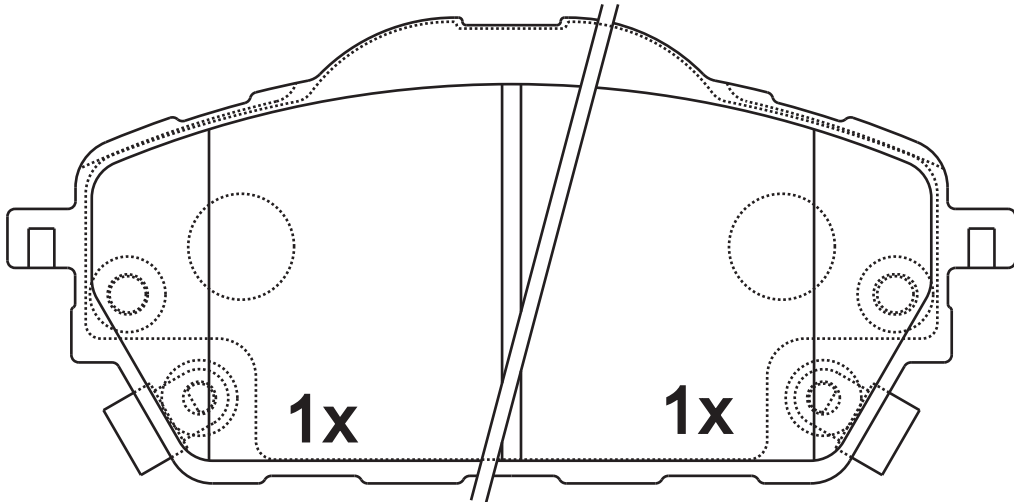


NOTE

2 identical;2 identical;





GDB7955

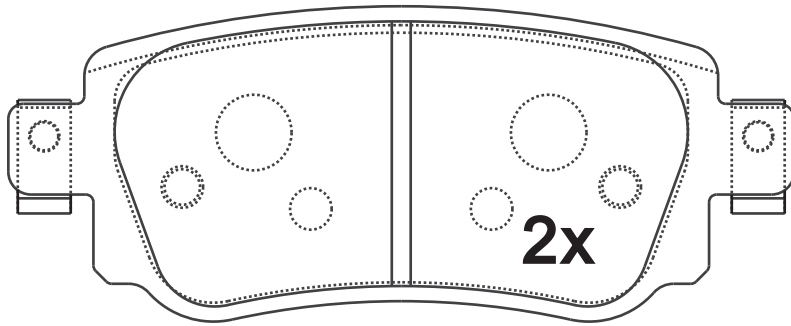
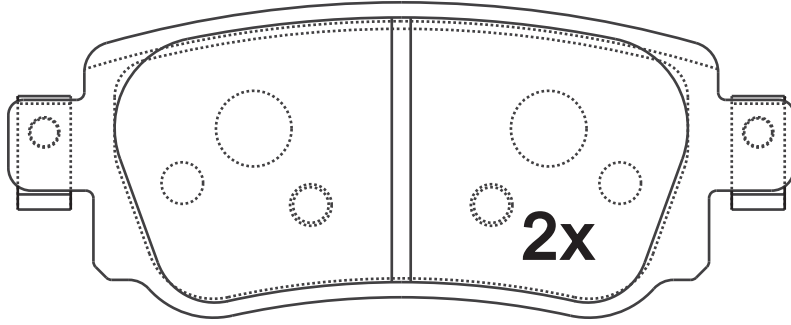


Apply for:

Haval H2

2014/04-

SR0741.01	Dimension (mm)	Thickness (mm)		NOTE 2 identical ;2 identical ;
	104×41.8	16.8		



D1939

Apply for:

Buick (SGM) Excelle

2015-

SR0742.01

**Dimension
(mm)**

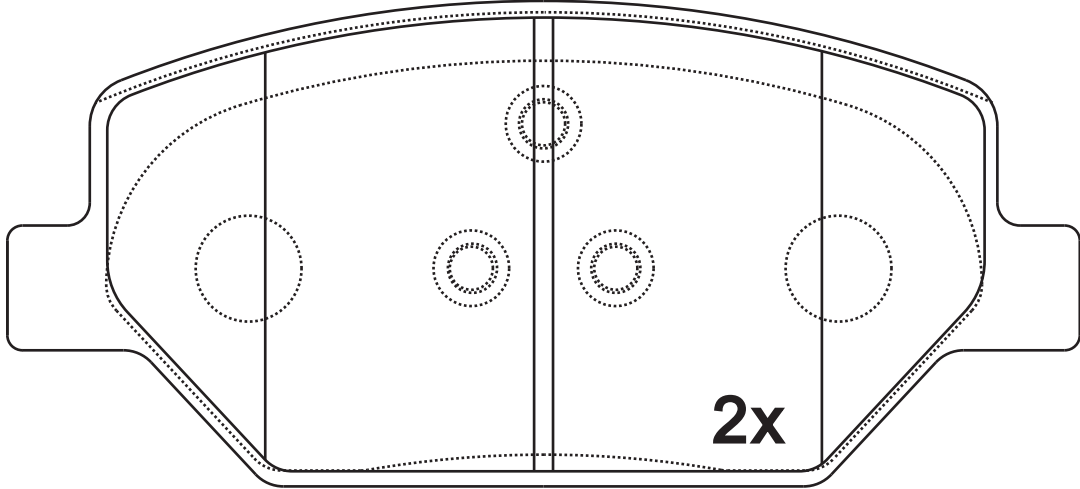
141.8×64.2

**Thickness
(mm)**

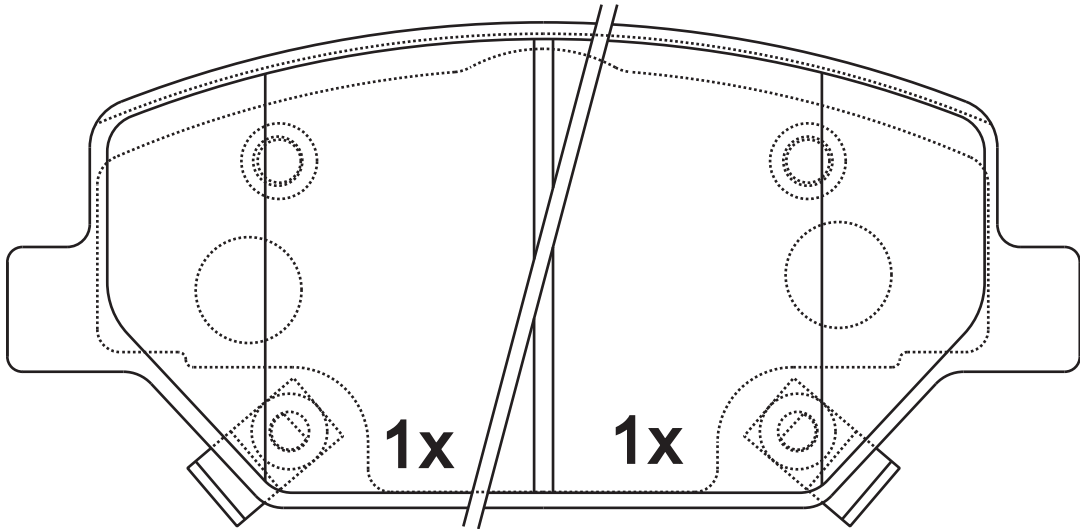
18.0



NOTE



D1886



Apply for:

1sgm Envision (China)
Buick LaCrosse J17 17"
Chevrolet Camaro

2014-
2017-
2016-

SR0742

**Dimension
(mm)**

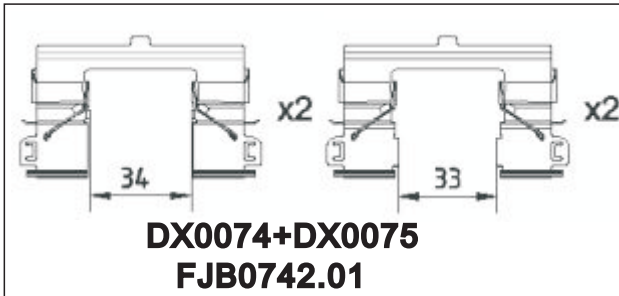
**Thickness
(mm)**





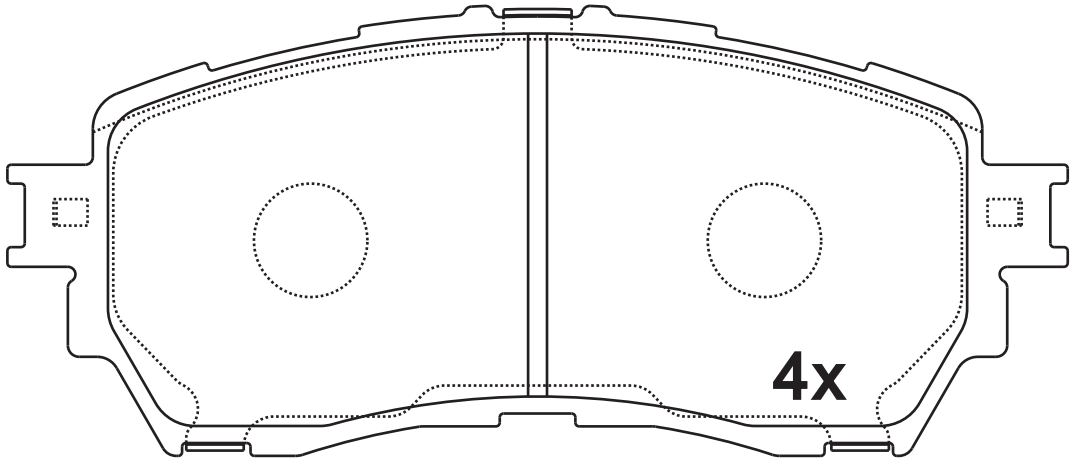
NOTE

附件包

Accessory bag



SR0743.01	Dimension (mm)	Thickness (mm)		NOTE 4 identical;
	140.2×59.5	15.5		





25725



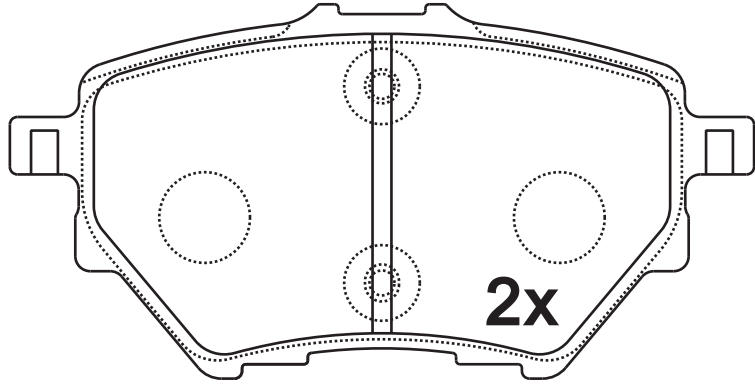
Apply for:

Mazda 6 Estate 2012/12-
Mazda (Faw) Atenza Saloon 2014/05-

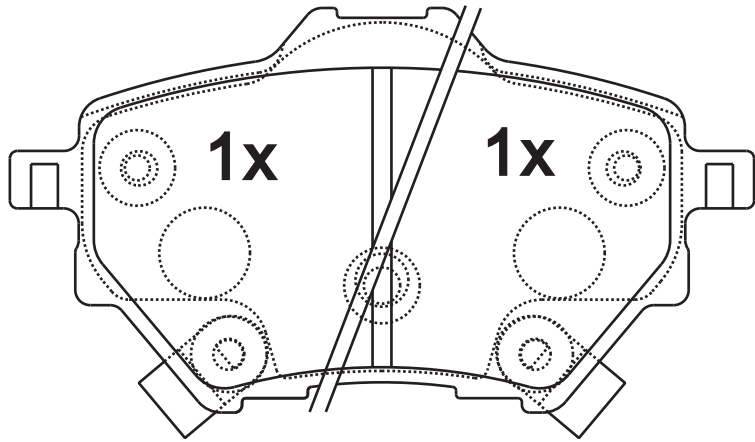
SR0744.01

Dimension (mm)	Thickness (mm)	
98.4×49.5 98.4×53.5	15.5	

NOTE
2 identical; 2 identical, 1 with acoustic indicator (left), 1 with acoustic indicator (right).



GDB7956



Apply for:

Byd Song Closed Off-Road Vehicle
Haval H2

2015/10-
2014/04-

SR0744.02

**Dimension
(mm)**

**Thickness
(mm)**

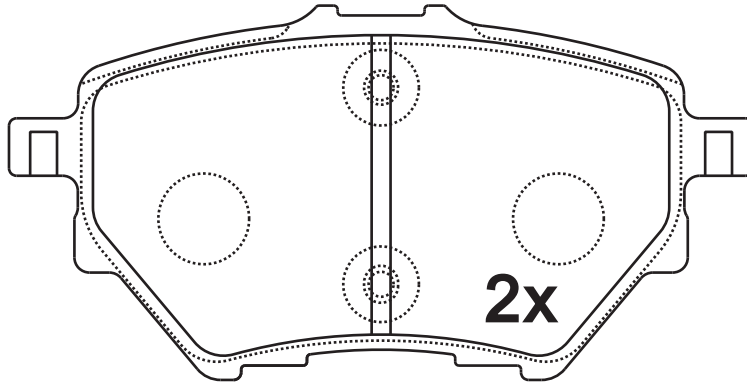


NOTE

2 identical;2 identical;

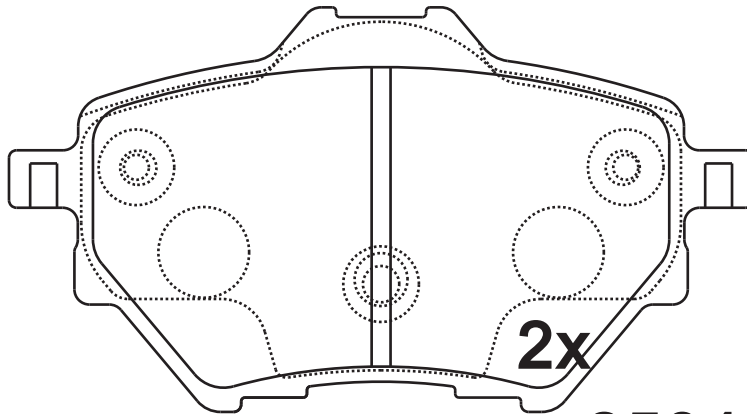
98.4×49.5
98.4×53.5

15.5



2x

25839



2x

25840



8x

Apply for:

Citroen C4 Grand Picasso Ii

2013/09-

Haima Family Mpv

2016/09-

Peugeot 3008 Suv (M_)

2016/05-

Peugeot 308S Hatchback

2015/04--

SR0744

**Dimension
(mm)**

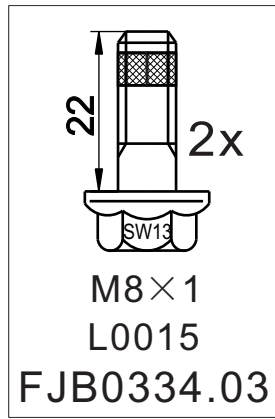
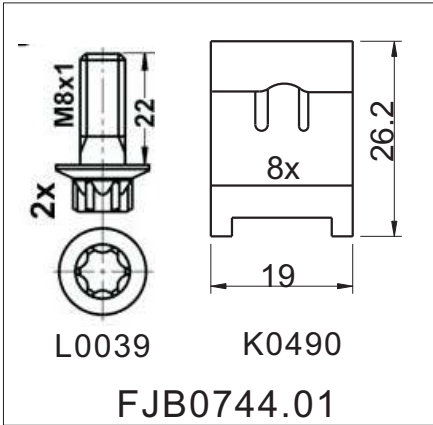
**Thickness
(mm)**



NOTE

附件包

Accessory bag



SR0745.01

**Dimension
(mm)**

106.3×46.2

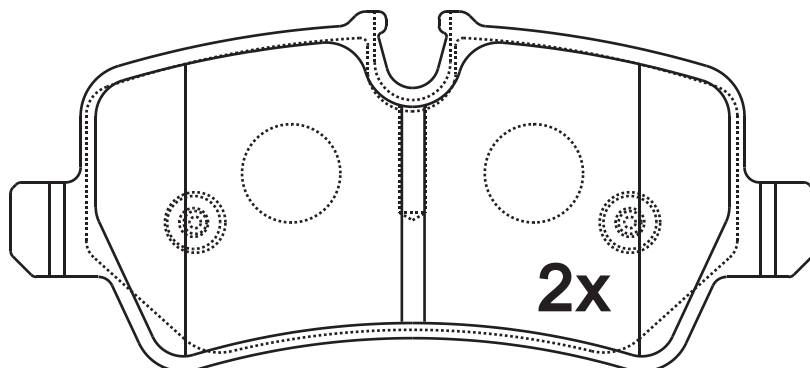
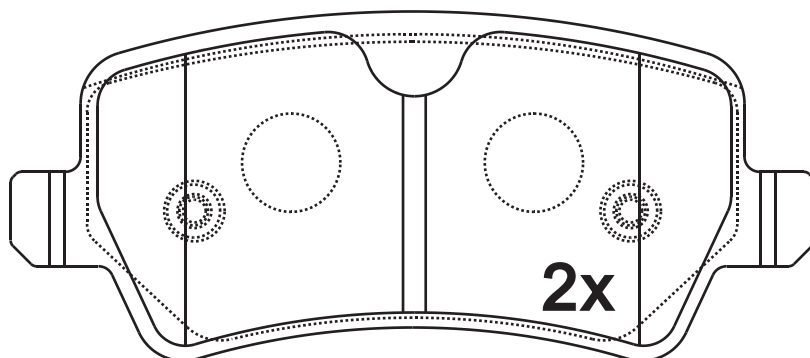
**Thickness
(mm)**

17.8



NOTE

2 identical ;2 identical ;



Apply for:

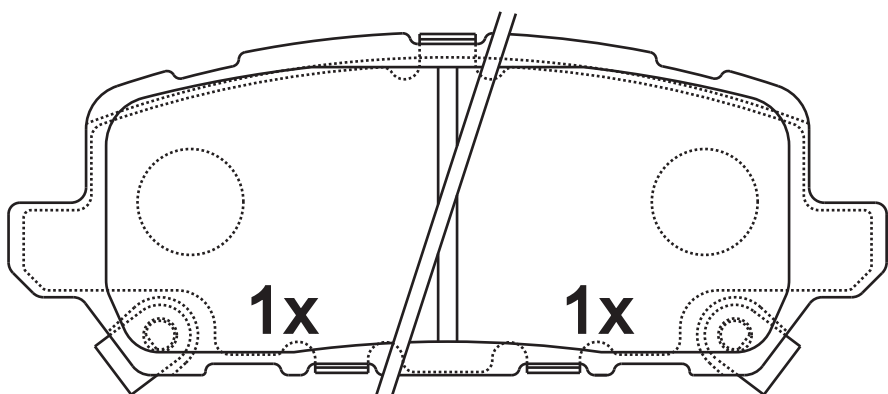
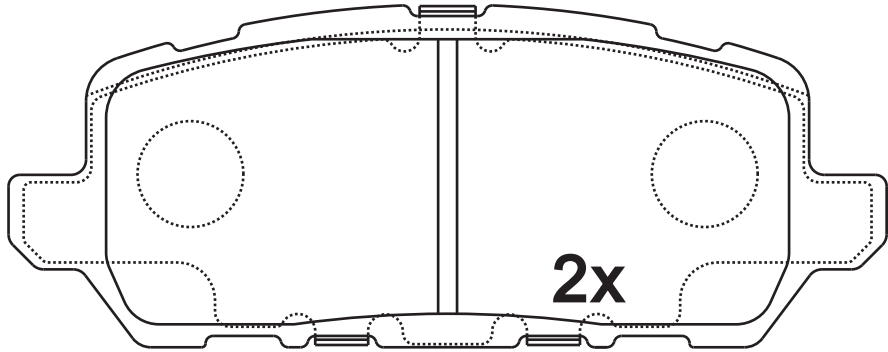
Mg Mg 6 Saloon
Mg (Saic) 550
Roewe (Saic) 550 / E550

2010/11-
2013/01-
2008/06-

SR0746.01

Dimension (mm)	Thickness (mm)	
116.1×45.2	16	



NOTE
2 identical; 2 identical, 1 with acoustic indicator (left), 1 with acoustic indicator (right).

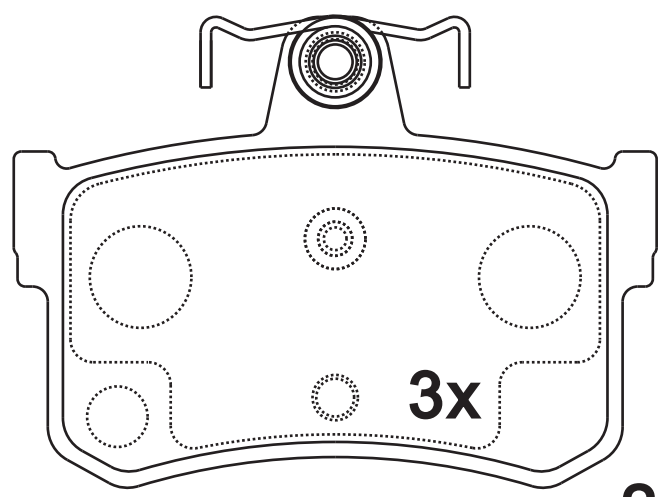


GDB7915

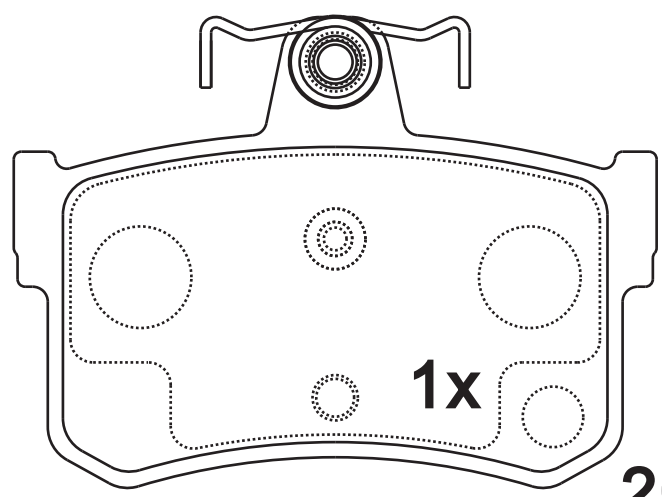
Apply for:

- | | |
|------------------------------------|-----------------|
| Honda Hr-V (Ru) | 2014/11- |
| Honda (Dongfeng) Xr-V | 2014/11- |
| Honda (Guangzhou) Accord Ix | 2013/09- |

SR0747.01	Dimension (mm)	Thickness (mm)		NOTE
	85.1×62	14.5		4 identical ;



20087





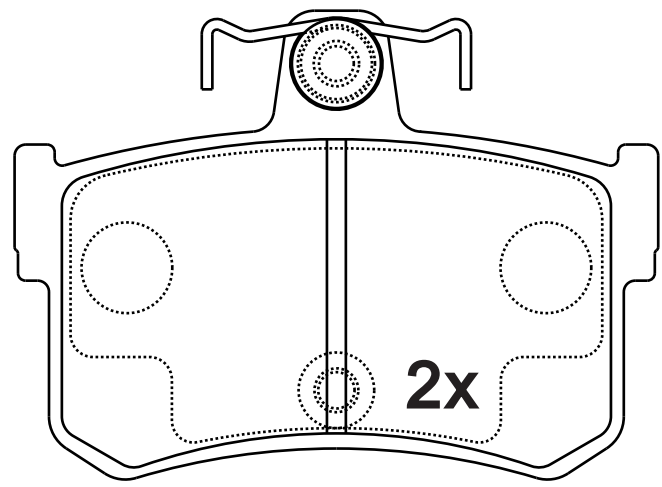
20091

Apply for:

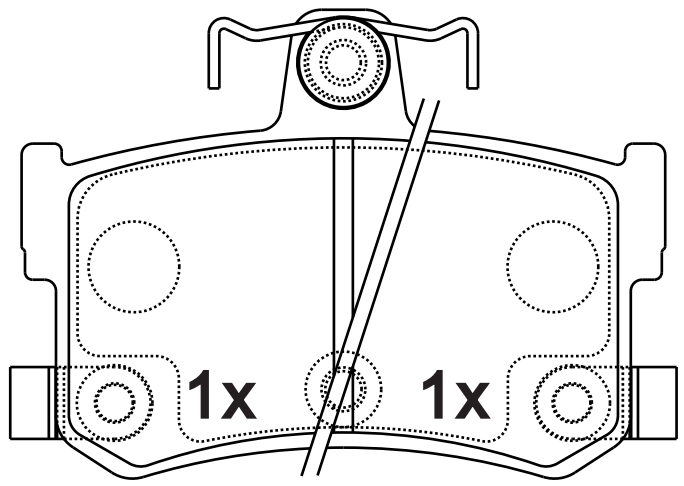
Sterling 825
Sterling 827

1987-1988
1989-1991

SR0747.02	Dimension (mm)	Thickness (mm)		NOTE 4 identical ;
	85.1×62	14.5		



21682



21683

21684

Apply for:

- | | |
|-------------------------|-----------------|
| MG MG TF convertible | 2002/03-2009/12 |
| Mg MGF (RD) convertible | 1995/03-2002/03 |
| Rover 800 coupe | 1992/08-1999/02 |

SR0748.01

**Dimension
(mm)**

135.1×56.8

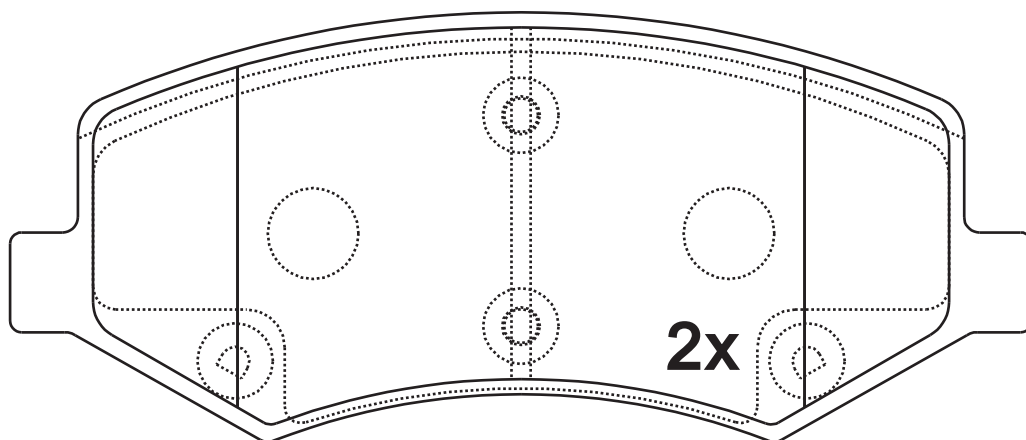
**Thickness
(mm)**

17

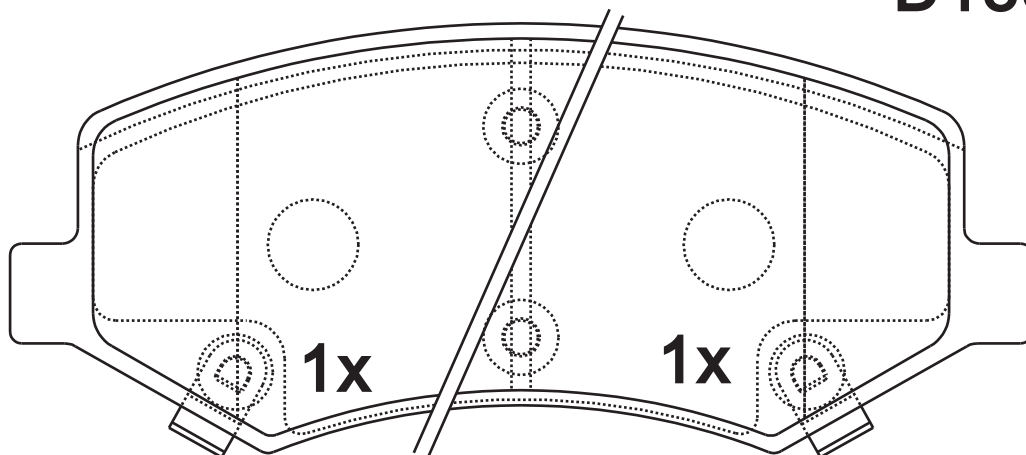


NOTE

2 identical; 2 identical, 1 with acoustic indicator (left), 1 with acoustic indicator (right).



D1882



Apply for:

Luxgen S5 Saloon

2013/07-

SR0749.01

**Dimension
(mm)**

122.9×51.1
123×53.6

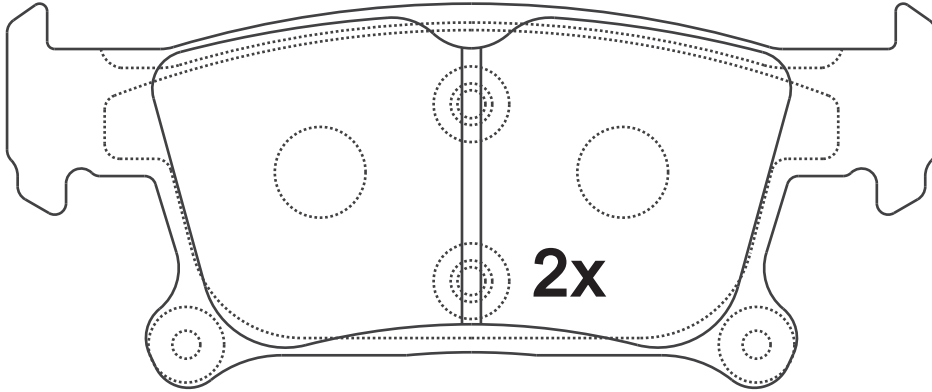
**Thickness
(mm)**

16.8

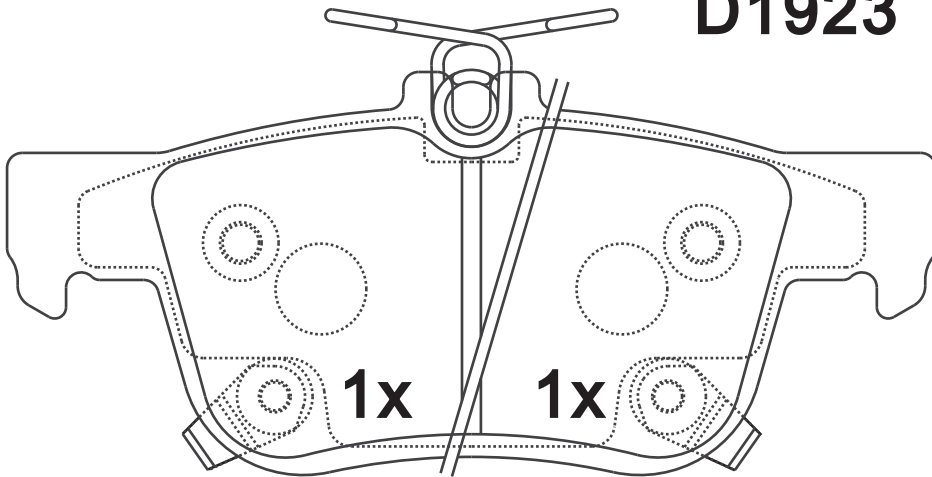


NOTE

2 identical; 2 identical, 1 with acoustic indicator (left), 1 with acoustic indicator (right).



**GDB7963
D1923**



Apply for:

Buick (Sgm) Envision Closed Off-Road Vehicle

2014/10-

SR0750.01

**Dimension
(mm)**

143.6×71.9

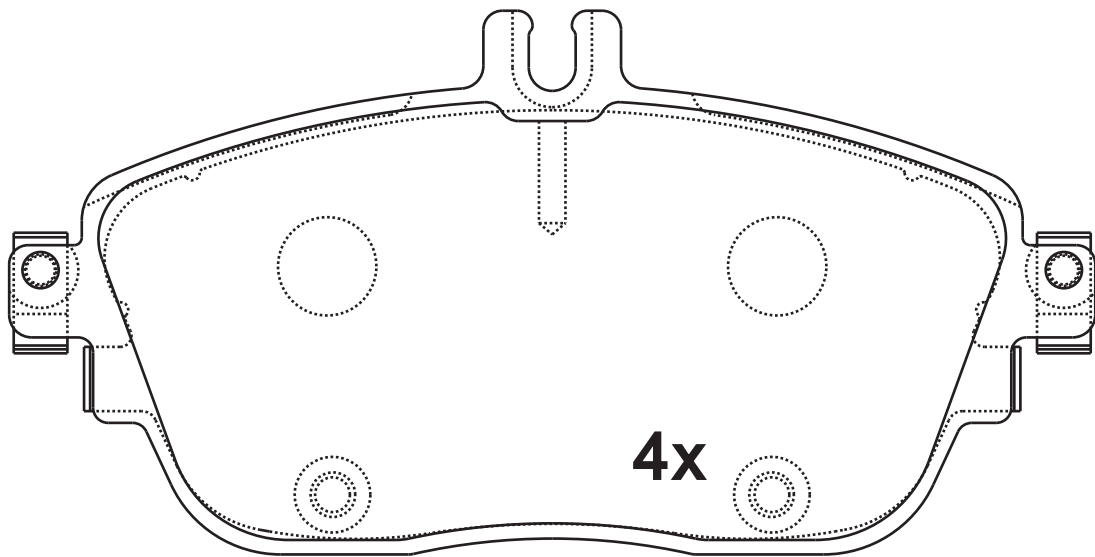
**Thickness
(mm)**

19



NOTE

4 identical;



24869

Apply for:

Mercedes A Class (W176), A180, A200, A220, A250 2012/06-
Mercedes B-Class (W246) B180, B200, B220, B250 2011/10-
Mercedes CLA Coupè (C117) CLA180, CLA200, CLA220,
Cla250 2013/01-

SR0750

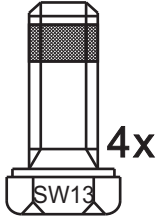
**Dimension
(mm)**

**Thickness
(mm)**



NOTE

附件包
Accessory bag

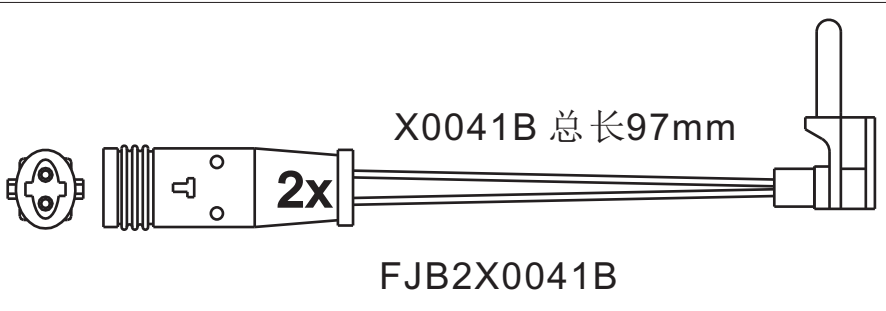
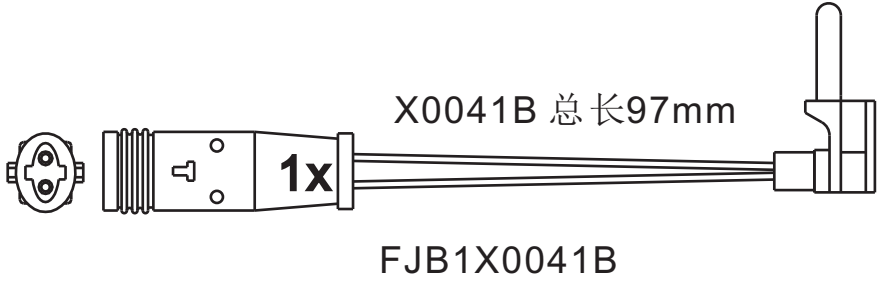


4x

M8×21

L0010

FJB0025.01



SR0751.01

**Dimension
(mm)**

**Thickness
(mm)**

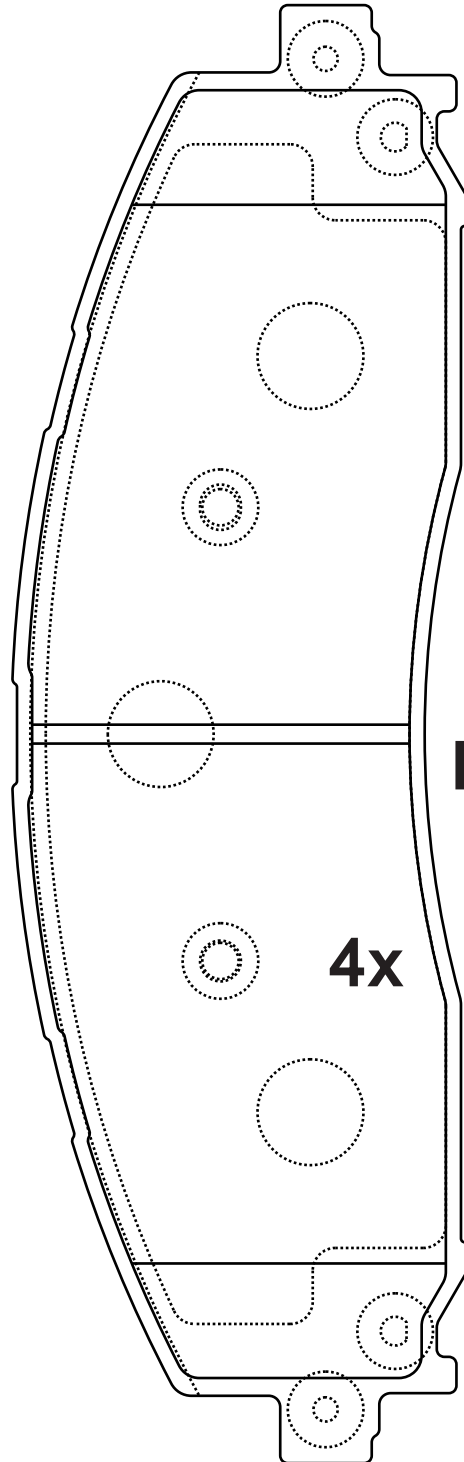


NOTE

4 identical;

192.8×60.3

18.1



D1691-8918

4x

Apply for:

- | | |
|---------------------------------|-----------|
| Ford Truck F-250 Super Duty | 2013-2014 |
| Ford Truck F-350 Super Duty | 2013-2014 |
| Ford Truck F-350 Super Duty DRW | 2013- |
| Ford Truck F-450 Super Duty | 2013-2014 |

SR0752.01

**Dimension
(mm)**

155.4×51

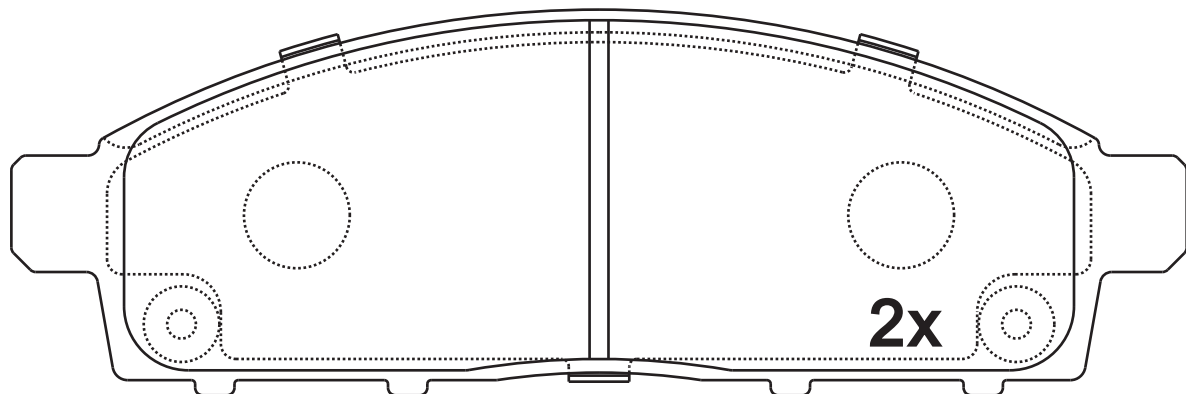
**Thickness
(mm)**

16

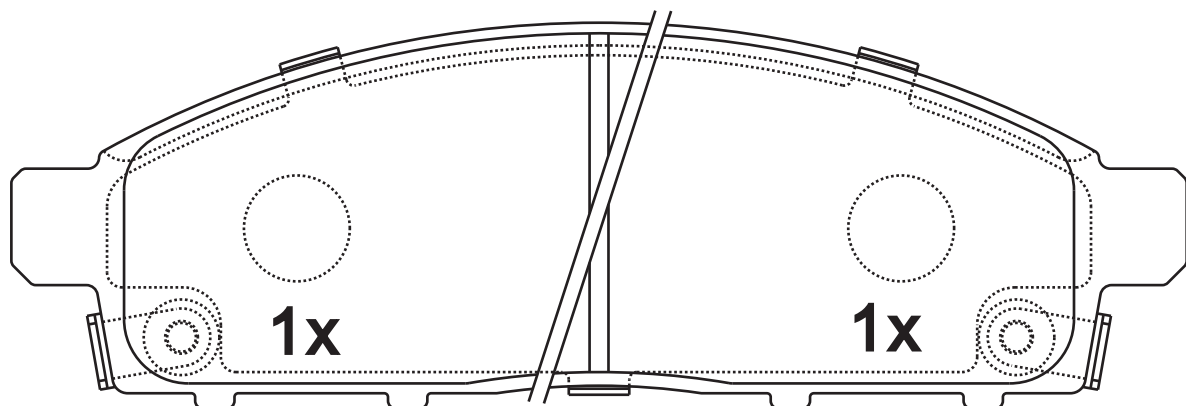


NOTE

2 identical; 2 identical, 1 with acoustic indicator (left), 1 with acoustic indicator (right).



25087



25089


25088

Apply for:

Nissan Nv200 / Evalia Bus
Nissan (Zhengzhou) Nv200 X3 Mpv

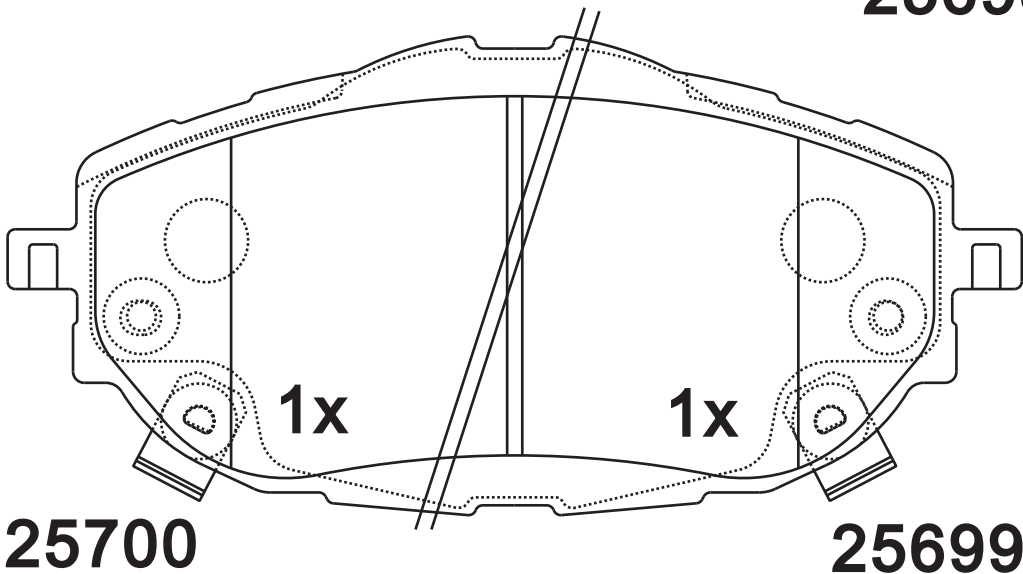
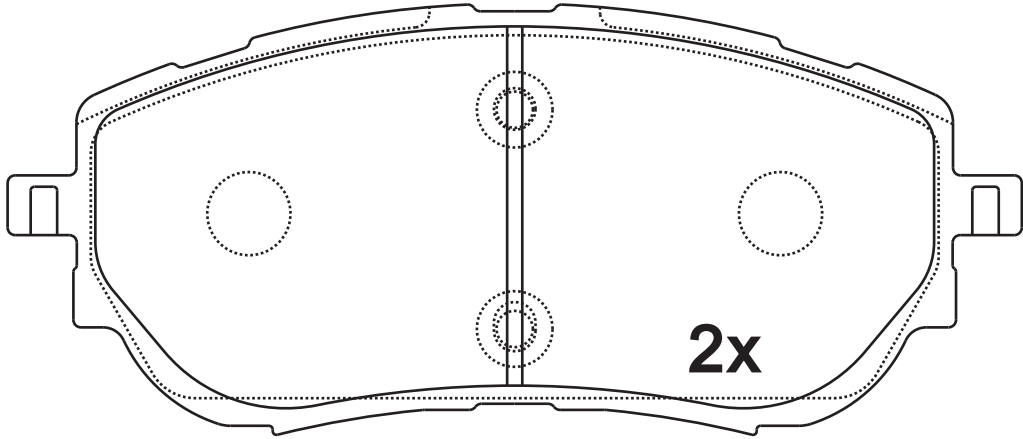
2010/07-
2010/06-

SR0753.01

Dimension (mm)	Thickness (mm)	
134.1×56.9 134.1×63.3	19.3	

NOTE

2 identical; 2 identical, 1 with acoustic indicator (left), 1 with acoustic indicator (right).



Apply for:

- TOYOTA AURIS (NZE18_, ZRE18_) 2012/10-
- TOYOTA AURIS TOURING SPORTS (ADE18_, ZWE18_, ZRE18_) 2013/07-
- TOYOTA AURIS VAN Box (ZRE18_, NZE18_) 2013/03-
- TOYOTA COROLLA Saloon (E15_) 2006/11-
- TOYOTA COROLLA Saloon (NRE18_, ZRE17_, ZRE18_, NDE18_) 2013/06-

SR0753

**Dimension
(mm)**

**Thickness
(mm)**



NOTE

**附件包
Accessory bag**



4x

19.1*29.2*9.7

DX0025



4x

19.1*26.8*9.7

DX0026

FJB0753.01

SR0754.01

**Dimension
(mm)**

125.6×51.4

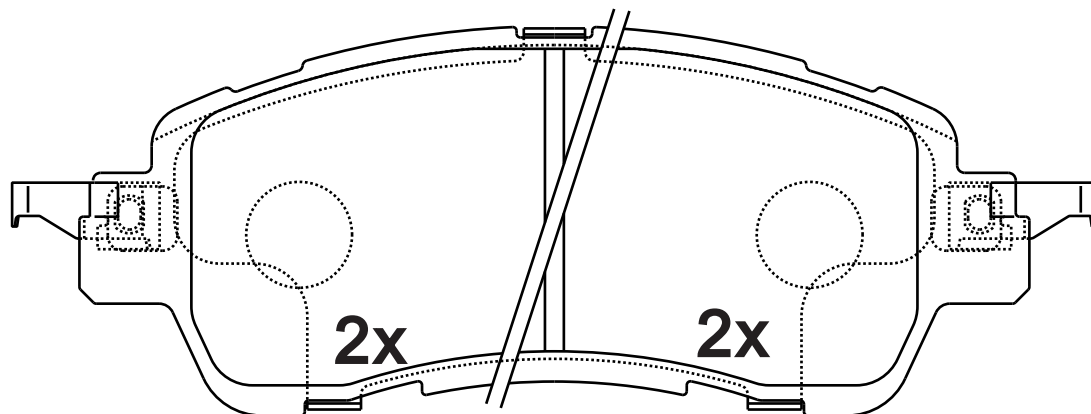
**Thickness
(mm)**

15.4



NOTE

2 identical with acoustic indicator(left),2 identical with acoustic indicator (right).



**GDB2122
22235**

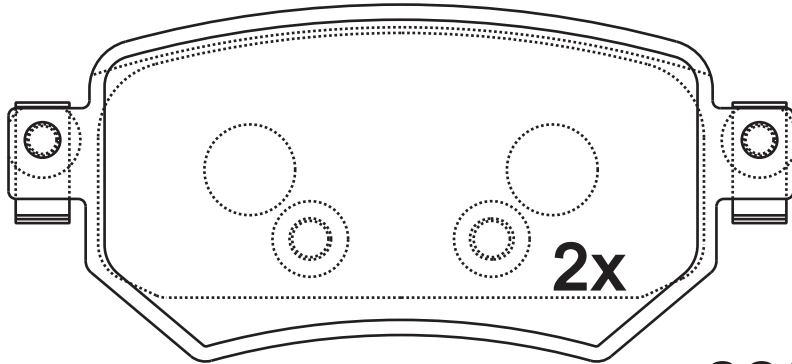
Apply for:

Mazda

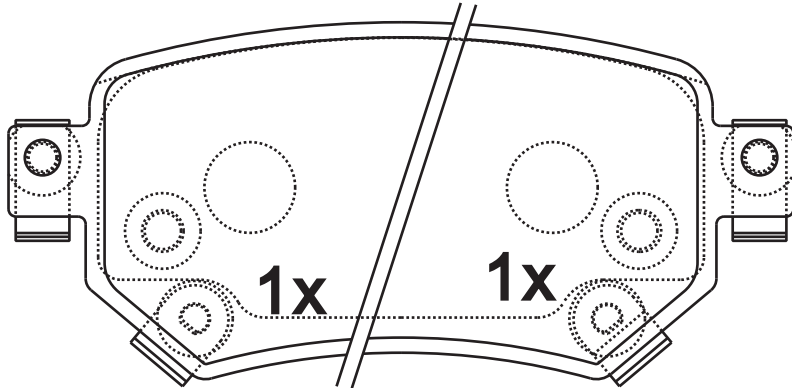
SR0755.01

Dimension (mm)	Thickness (mm)	
103.8×47.2	15.5	

NOTE
2 identical; 2 identical, 1 with acoustic indicator (left), 1 with acoustic indicator (right).



22349



22351

22350

Apply for:

Mazda

SR0756.01

**Dimension
(mm)**

123.1×47.2
122.9×52.1

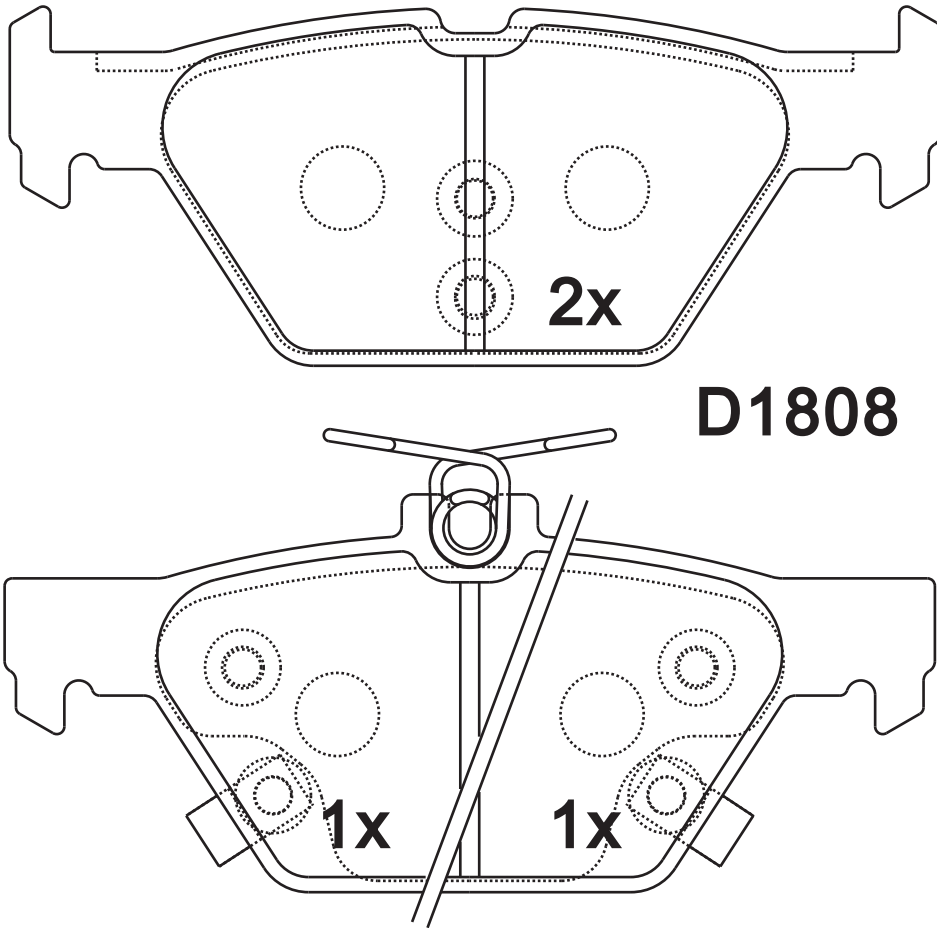
**Thickness
(mm)**

14.5



NOTE

2 identical; 2 identical, 1 with acoustic indicator (left), 1 with acoustic indicator (right).



Apply for:

SUBARU Legacy 3.6R
SUBARU Legacy 2.5i
SUBARU Outback

2015-
2015-
2015-

SR0757.01

**Dimension
(mm)**

104.3×52.2

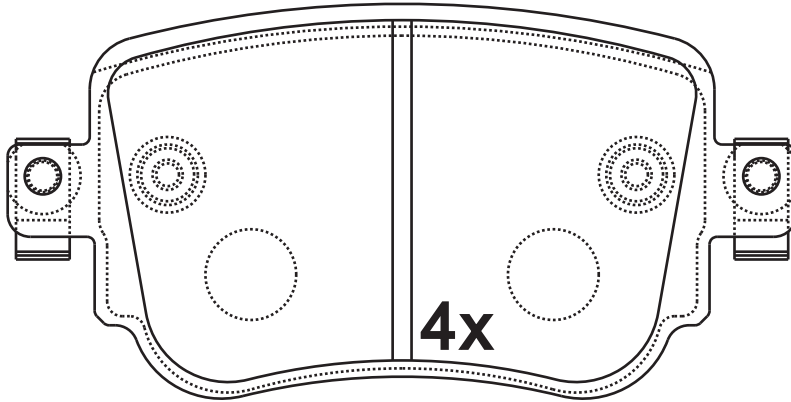
**Thickness
(mm)**

17.5



NOTE

4 identical;



25110

Apply for:

Volkswagen Golf

2015

SEAT Leon, Leon SC 1.2 Tsi, 1.4 Tsi, 1.6 Tdi,
1.8 TFSi, 2.0 Tdi [1KS]

2012/09-

SKODA Octavia 1.2 Tsi, 1.4 Tsi, 1.6 Tdi,
1.8 Tsi, 2.0 Tdi [1KS, 1KT]

2012/11-

SR0757

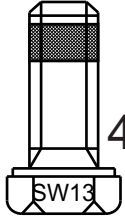
**Dimension
(mm)**

**Thickness
(mm)**



NOTE

**附件包
Accessory bag**



4x

M8×21
L0010

FJB0025.01

SR0758.01

**Dimension
(mm)**

180×61.3

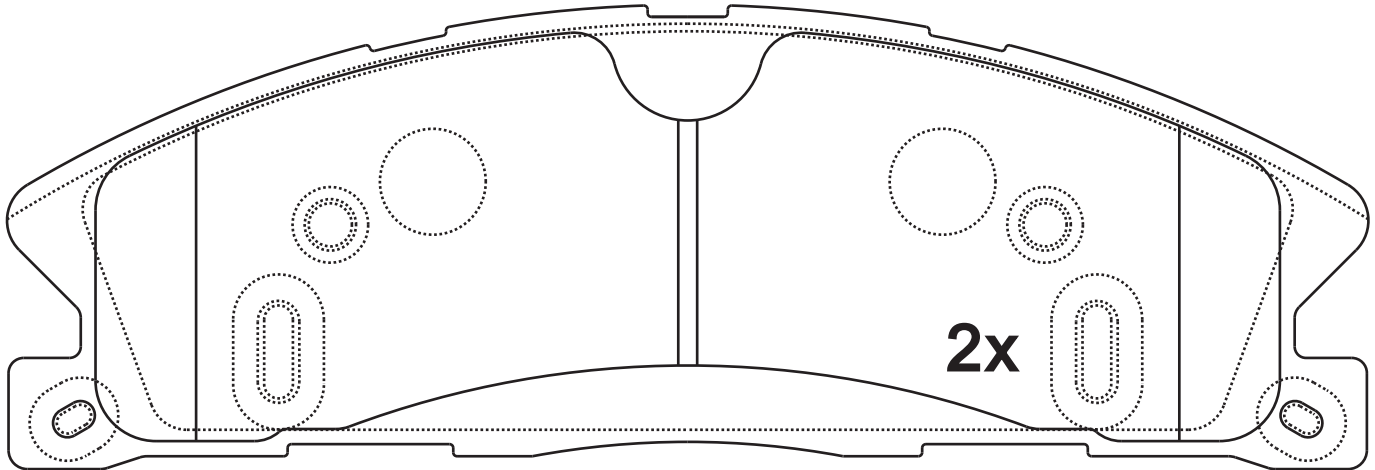
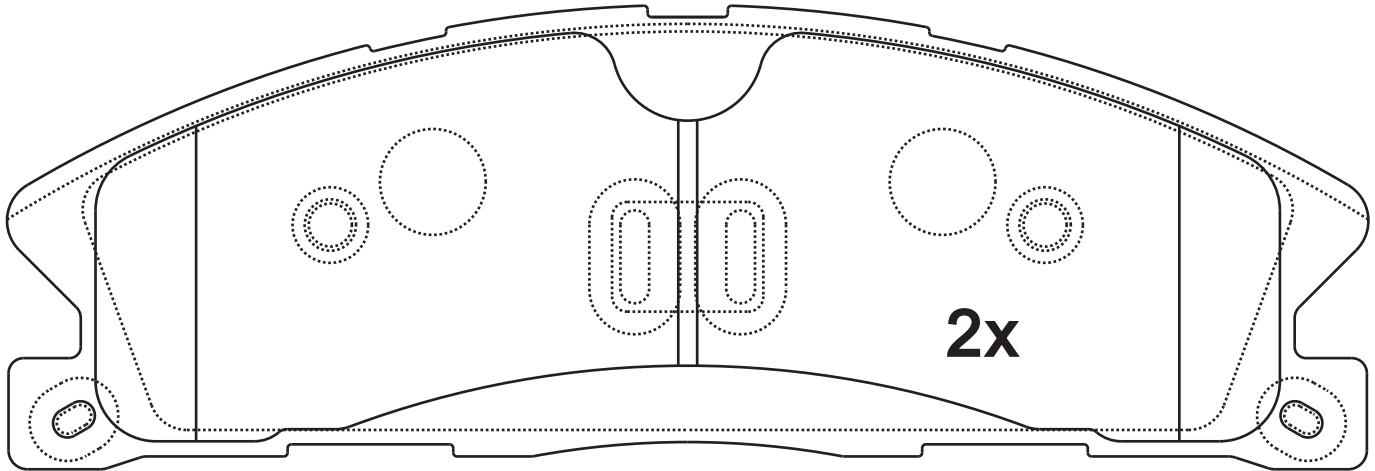
**Thickness
(mm)**

19.2



NOTE

2 identical;2 identical;



D1611

Apply for:

Ford Police Interceptor Sedan	2013-2014
Ford Taurus SHO	2013-2014
Ford Truck Explorer HD Brakes	2013-2014
Ford Truck Flex HD Brakes	2013-2014
Ford Truck Police Interceptor Utilit	2013-2014
Lincoln Mks	2013-2014
Lincoln Mkt HD Brakes	2013-2014

SR0758.02

**Dimension
(mm)**

180.1×61.5

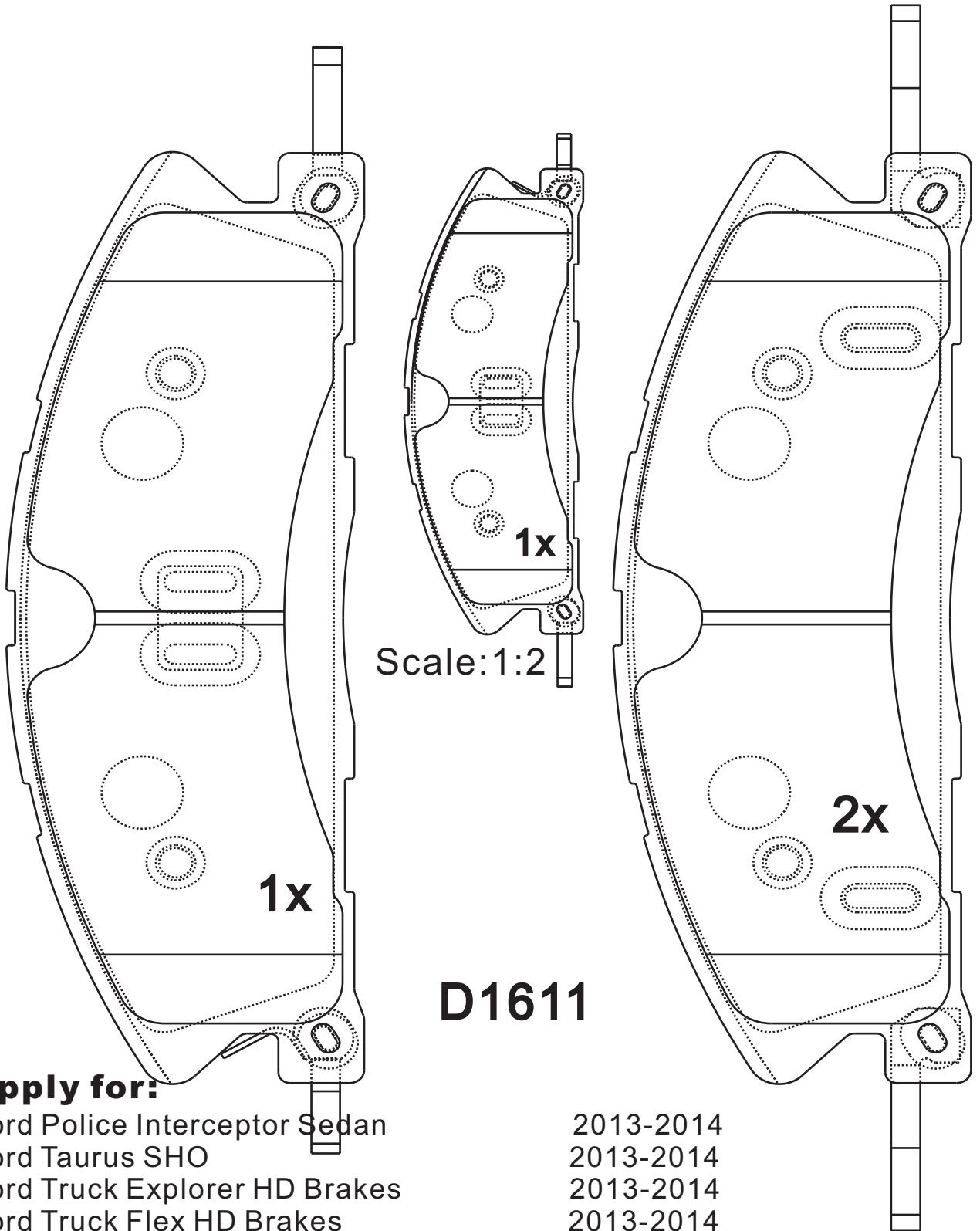
**Thickness
(mm)**

19.2



NOTE

2 identical; 2 identical;



Apply for:

- Ford Police Interceptor Sedan
- Ford Taurus SHO
- Ford Truck Explorer HD Brakes
- Ford Truck Flex HD Brakes
- Ford Truck Police Interceptor Utilit
- Lincoln Mk
- Lincoln Mkt HD Brakes

- 2013-2014
- 2013-2014
- 2013-2014
- 2013-2014
- 2013-2014
- 2013-2014
- 2013-2014

SR0759.01

**Dimension
(mm)**

164.7×78

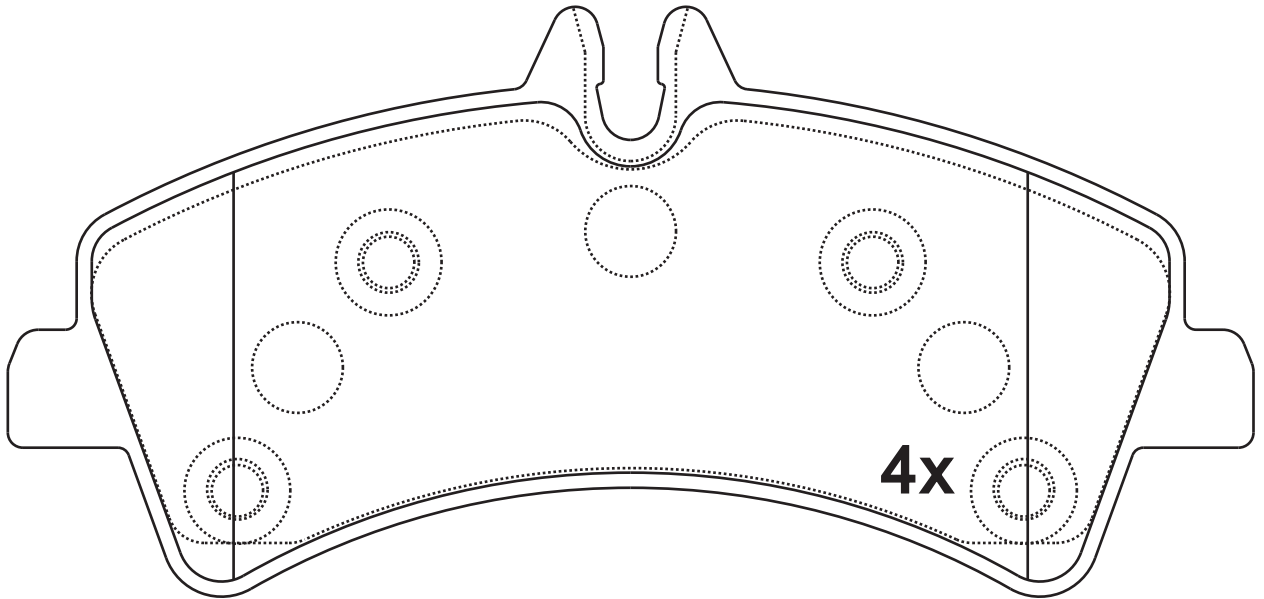
**Thickness
(mm)**

20.5

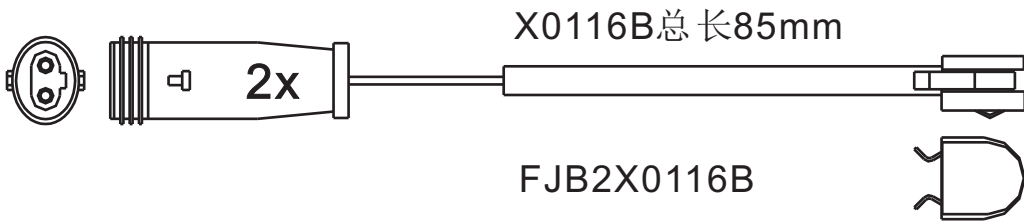


NOTE

4 identical;



29217



Apply for:

Dodge Truck Sprinter 3500

2007-2009

Freightliner Sprinter 3500

2011-2014

Mercedes (COMMERCIAL) Sprinter 3500

2010-2014

SR0759

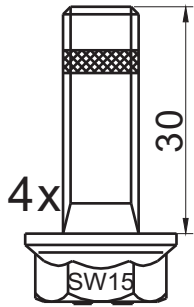
**Dimension
(mm)**

**Thickness
(mm)**

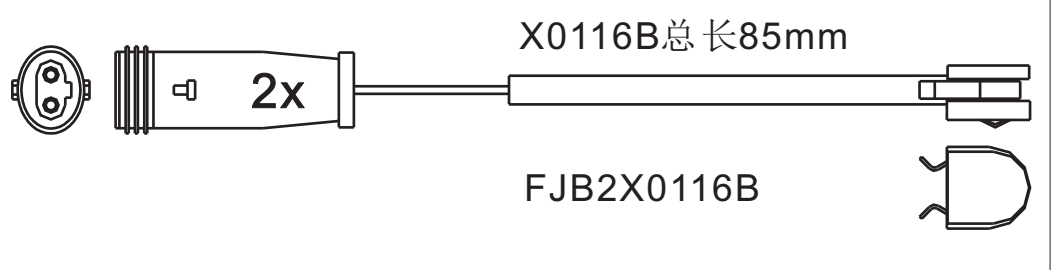


NOTE

**附件包
Accessory bag**



M10x30
L0026
FJB0759.01



SR0760.01

**Dimension
(mm)**

109×53.1

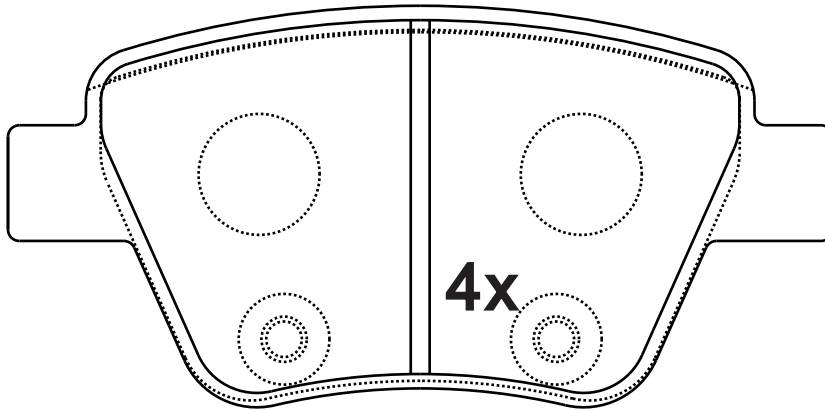
**Thickness
(mm)**

16.2



NOTE

4 identical;



24563

Apply for:

AUDI A3	2011-2013
AUDI A3 Quattro	2010-2013
VOLKSWAGEN Beetle	2012
VOLKSWAGEN Eos	2011-2013
VOLKSWAGEN Golf	2010
VOLKSWAGEN Golf	2012-2014
VOLKSWAGEN Golf TDI	2010-2011
VOLKSWAGEN GTI	2012-2013
VOLKSWAGEN Jetta	2013
VOLKSWAGEN Jetta GLI	2012-2013
VOLKSWAGEN Jetta Sedan 5 Cyl.	2011-2012
VOLKSWAGEN Jetta TDI	2012
VOLKSWAGEN Jetta Wagon	2010-2013
VOLKSWAGEN Passat	2012-2013

SR0760

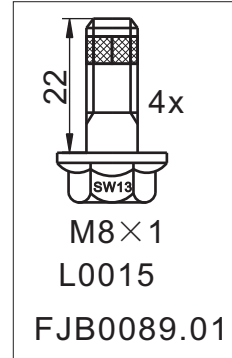
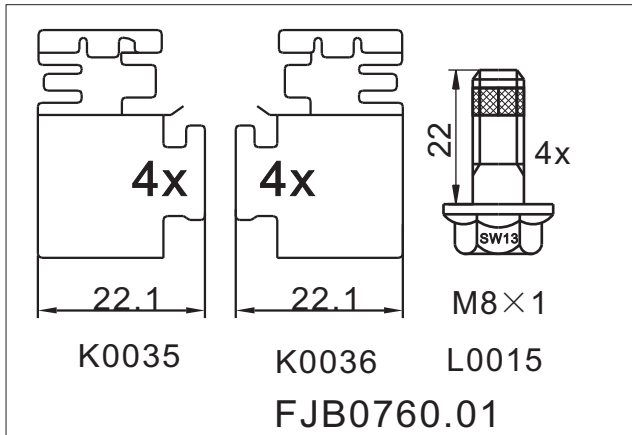
**Dimension
(mm)**

**Thickness
(mm)**



NOTE

**附件包
Accessory bag**



SR0761.01

**Dimension
(mm)**

**Thickness
(mm)**

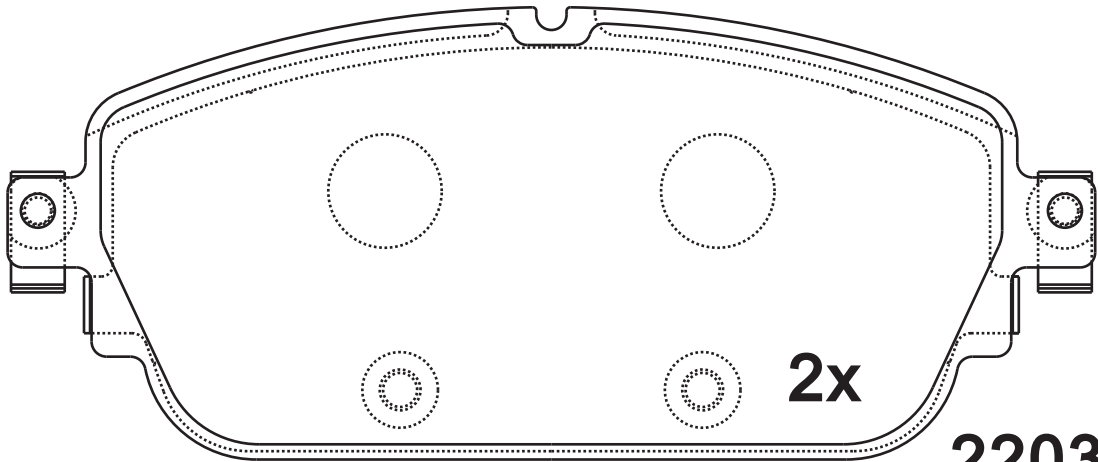


NOTE

2 identical; 2 identical;

143.8×59.8
143.8×70.2

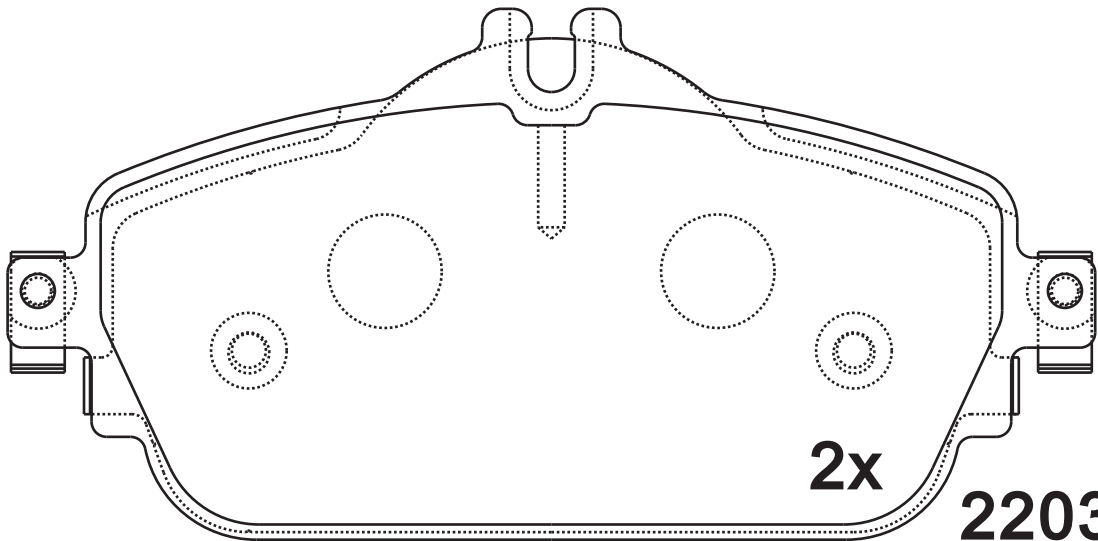
19.3



2x

22032

D1837



2x

22031

Apply for:

Mercedes Classe C 03.14

SR0761

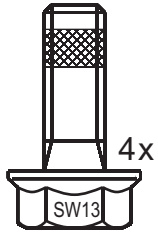
**Dimension
(mm)**

**Thickness
(mm)**



NOTE

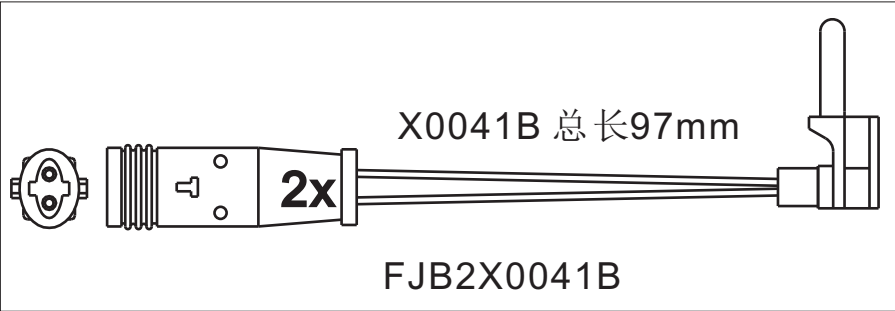
**附件包
Accessory bag**



M8X22

L0020

FJB0280.01



X0041B 总长97mm

2x

FJB2X0041B

SR0762.01

**Dimension
(mm)**

155.3×55.1
155.3×62.5

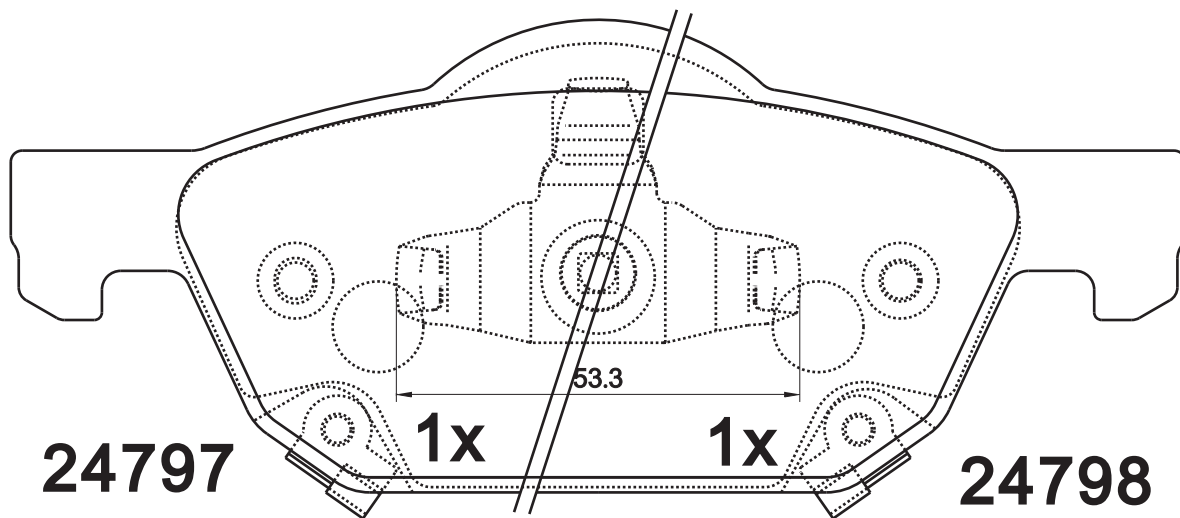
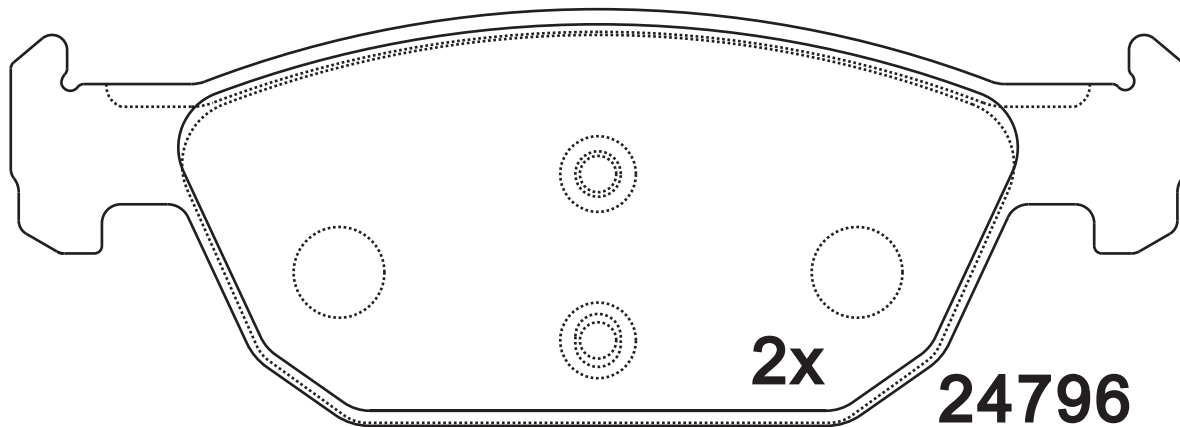
**Thickness
(mm)**

17.5



NOTE

2 identical; 2 identical, 1 with acoustic indicator (left), 1 with acoustic indicator (right).





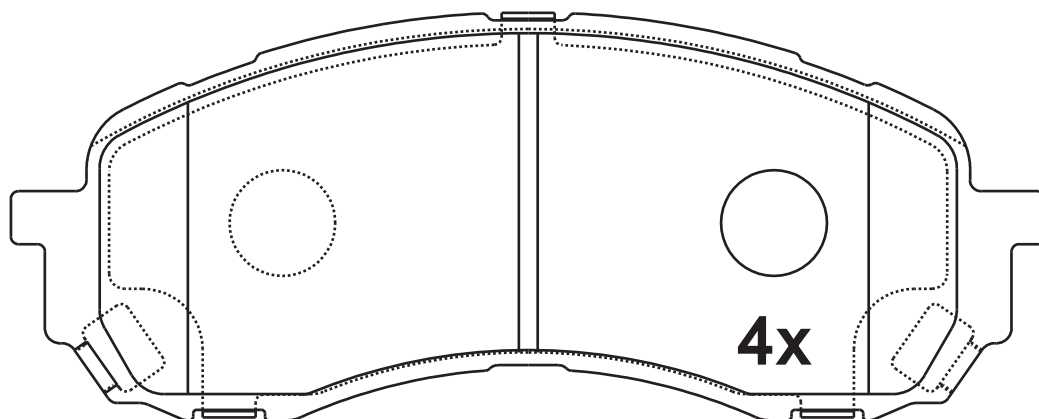
Apply for:

Honda Accord Viii (Cu)
Honda Accord Viii Estate (Cw)

2008/04-
2008/07-

SR0763.01

Dimension (mm)	Thickness (mm)		NOTE
136.8×53.8	17.3		4 identical;



24372



2x

Apply for:

Subaru Impreza Estate (Gg)
Subaru Impreza Hatchback (Gr, Gh, G3)

2000/10-2008/12
2007/03-2014/05

SR0763

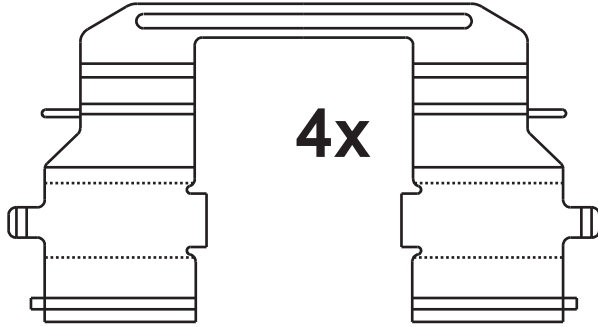
**Dimension
(mm)**

**Thickness
(mm)**



NOTE

4 identical;



SR0764.01

**Dimension
(mm)**

141.8×54.6

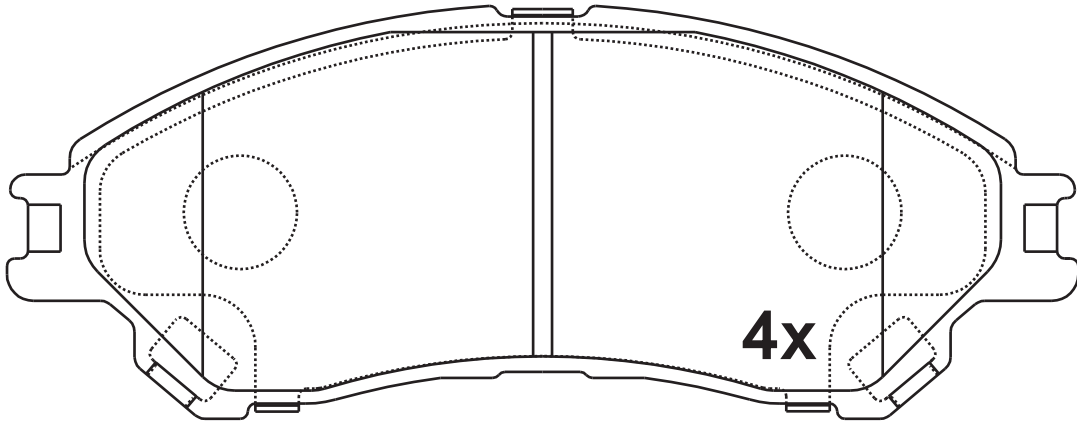
**Thickness
(mm)**

16



NOTE

4 identical;



2x

25979

Apply for:

Suzuki SX4 S-Cross 08.13

SR0765.01

**Dimension
(mm)**

145.8×62.3

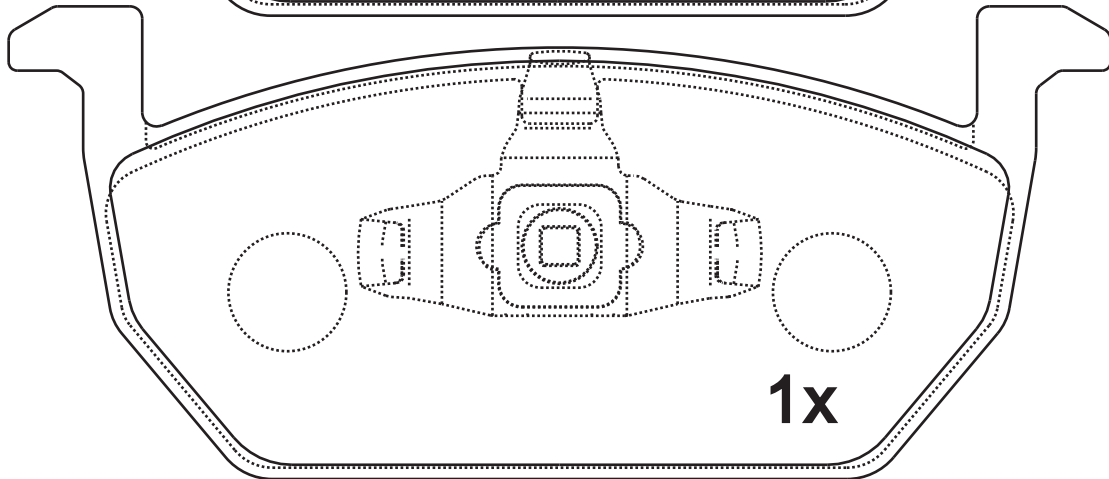
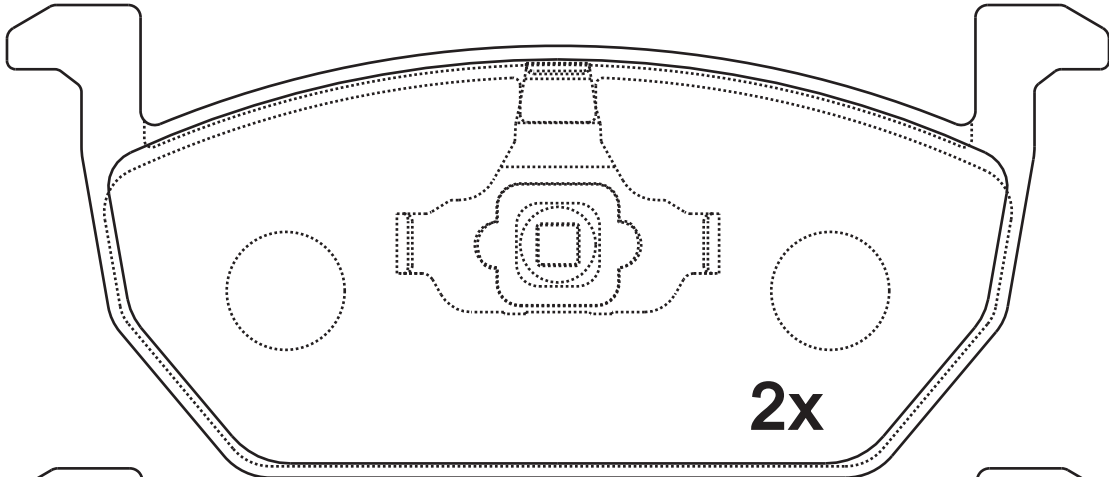
**Thickness
(mm)**

17.2

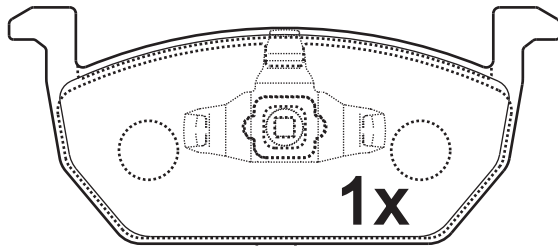


NOTE

**2 identical; 2 identical,
1 with warn indicator.**

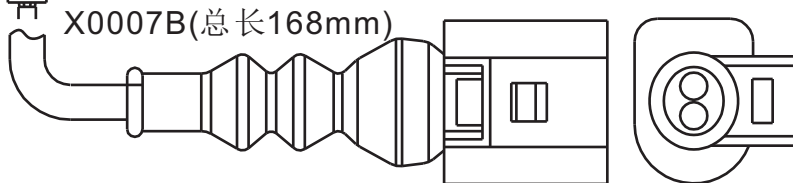


22035



Scale : 1:2

X0007B(总长168mm)



Apply for:

奥迪 A3 Convertible (8V7)
西雅特 LEON (5F1)
斯柯达 OCTAVIA (5E3)
大众 GOLF ALLTRACK (BA5)
大众 GOLF VII Estate (BA5)

2013/10-
2012/09-
2012/11-
2014/12-
2013/04-

SR0765.02

**Dimension
(mm)**

145.8×62.3

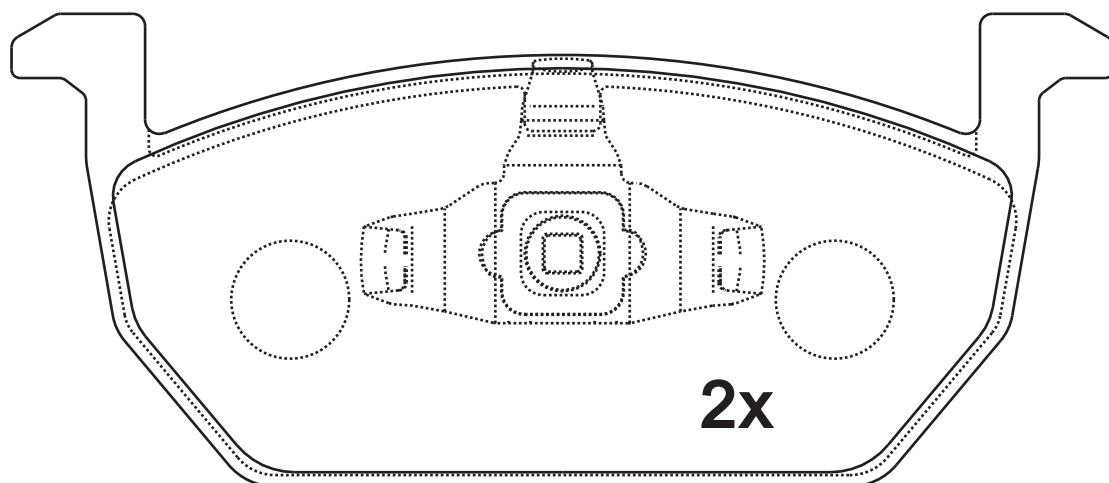
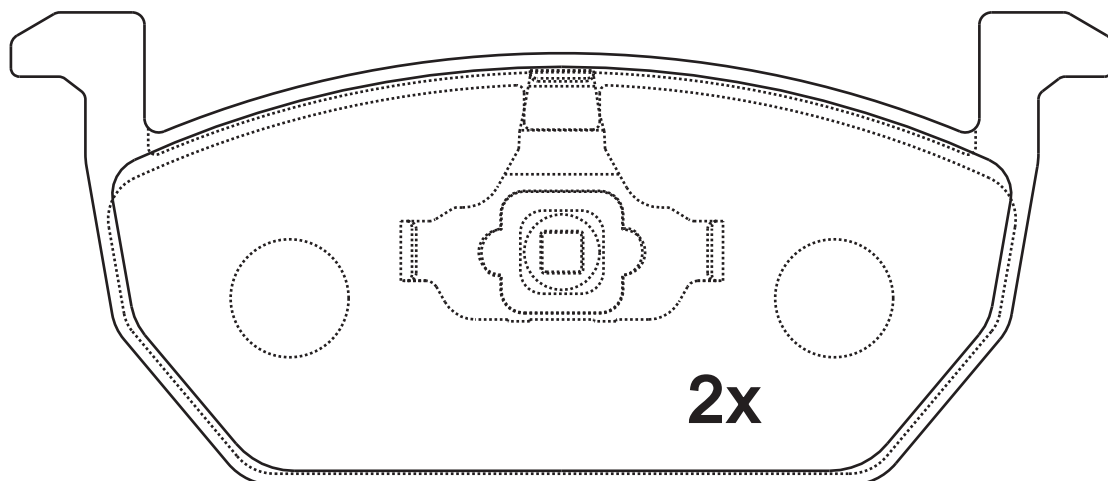
**Thickness
(mm)**

17.2



NOTE

**2 identical; 2 identical,
1 with warn indicator.**



22035

Apply for:

奥迪 A3 Convertible (8V7)

西雅特 LEON (5F1)

斯柯达 OCTAVIA (5E3)

大众 GOLF ALLTRACK (BA5)

大众 GOLF VII Estate (BA5)

2013/10-

2012/09-

2012/11-

2014/12-

2013/04-

SR0766.01

**Dimension
(mm)**

168.8×69.5

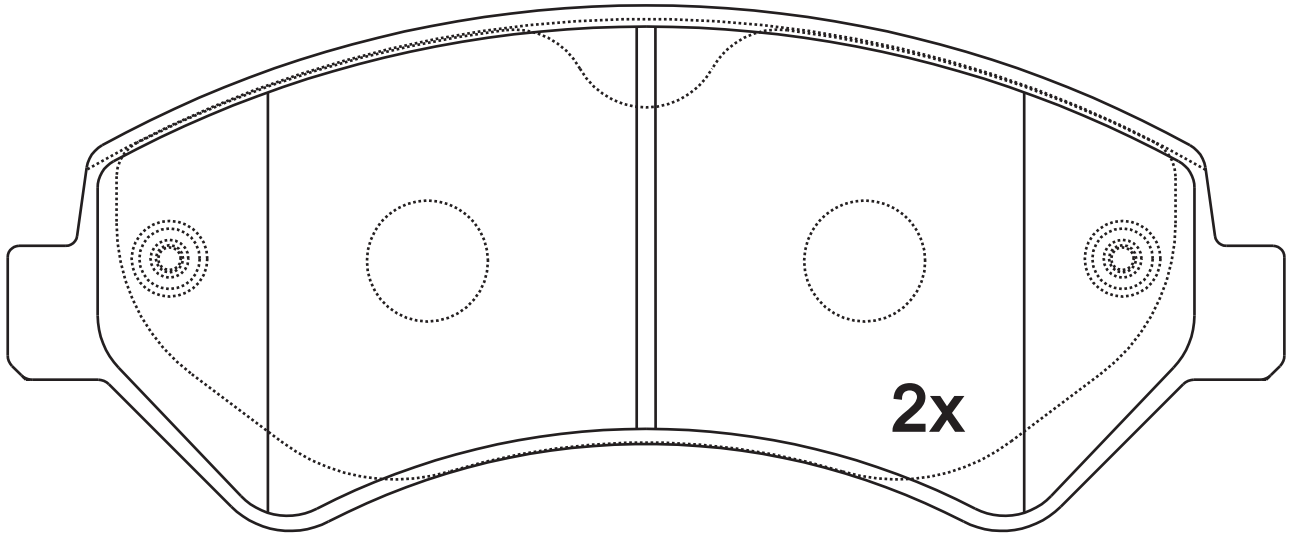
**Thickness
(mm)**

20.5

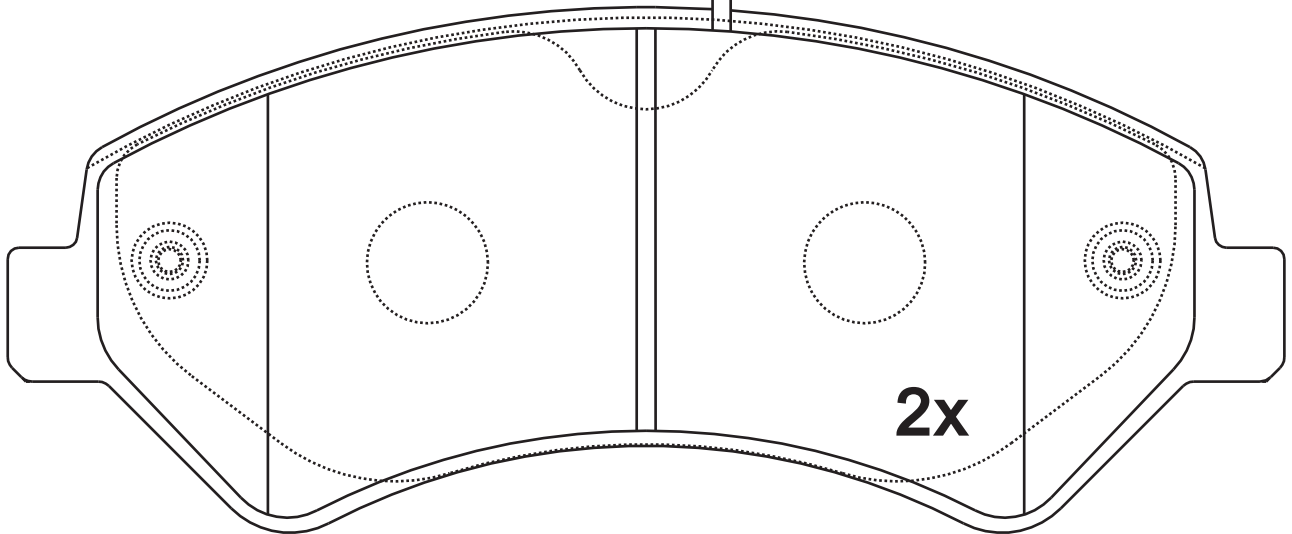
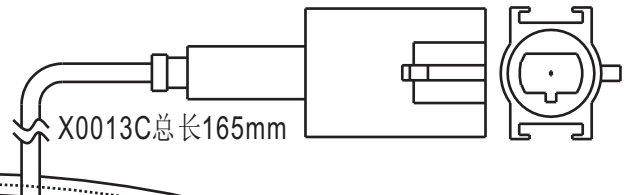


NOTE

**4 identical ,2 with wear
warning contact.**



24466



24467

Apply for:

Peugeot Manager (Latin America)

2008-2010

SR0766.02

**Dimension
(mm)**

168.8×69.5

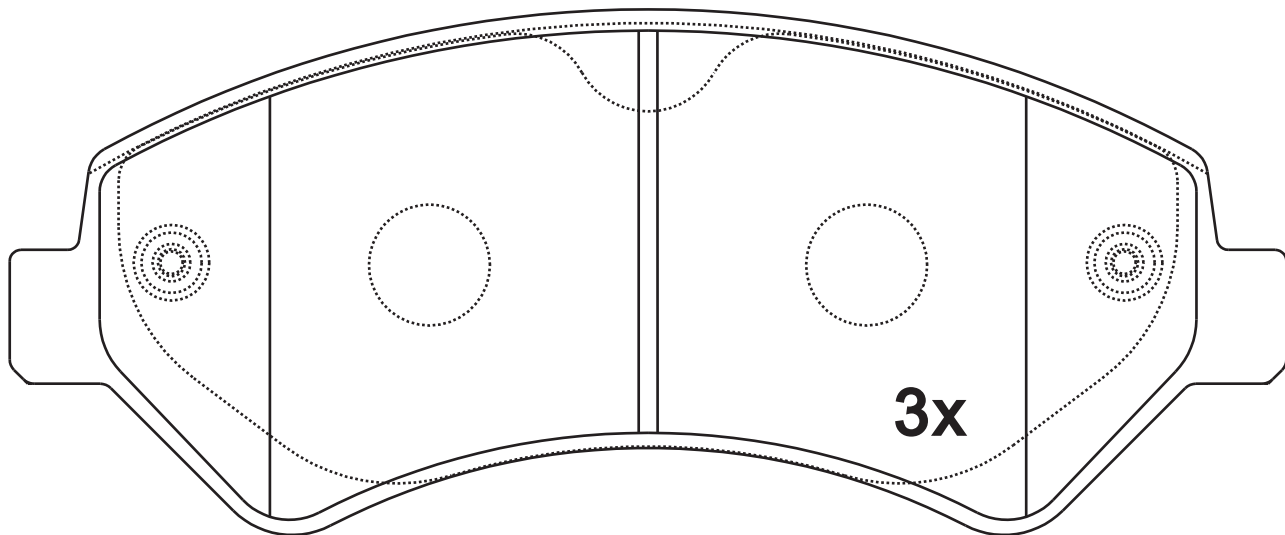
**Thickness
(mm)**

20.5

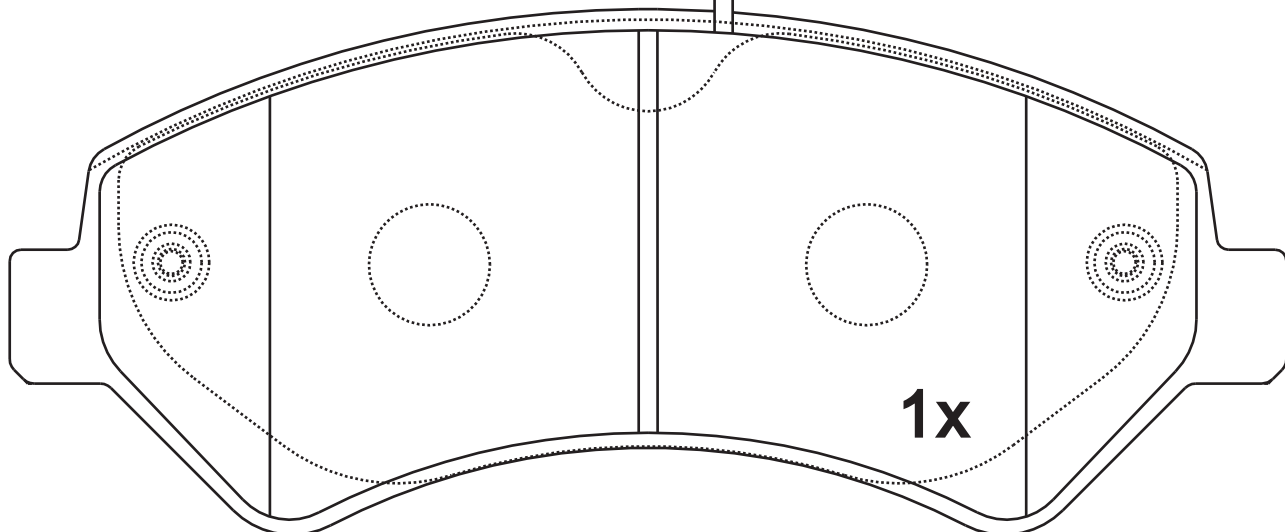
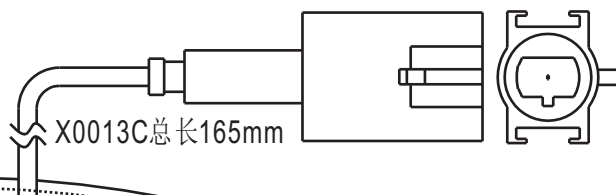


NOTE

**4 identical ,2 with wear
warning contact.**



24466



24467

Apply for:

Peugeot Manager (Latin America)

2008-2010

SR0766.03

**Dimension
(mm)**

168.8×69.5

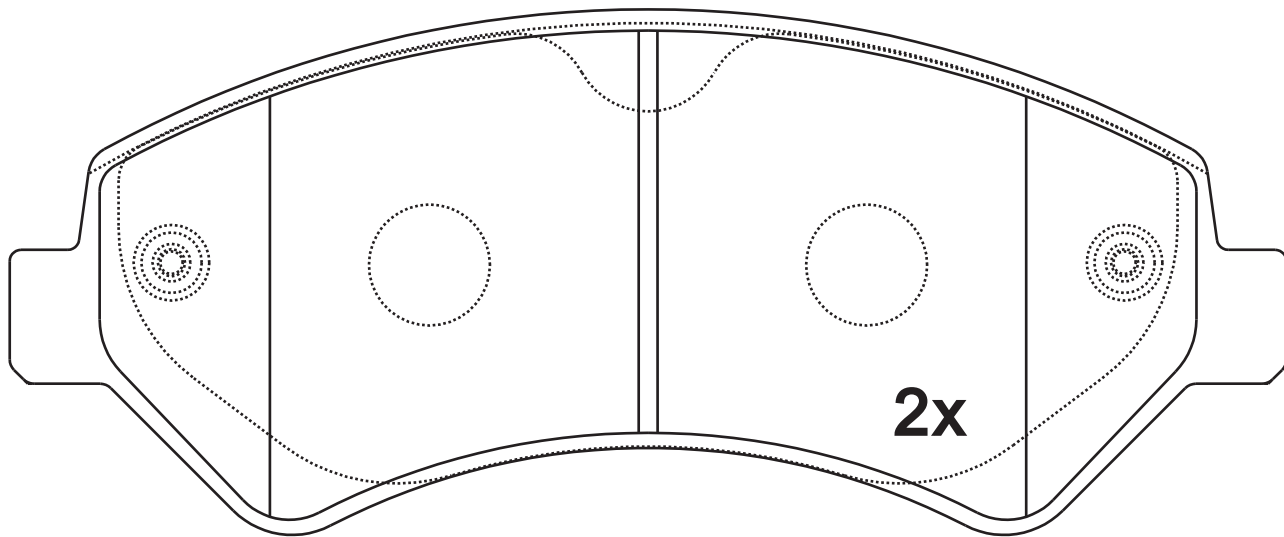
**Thickness
(mm)**

19

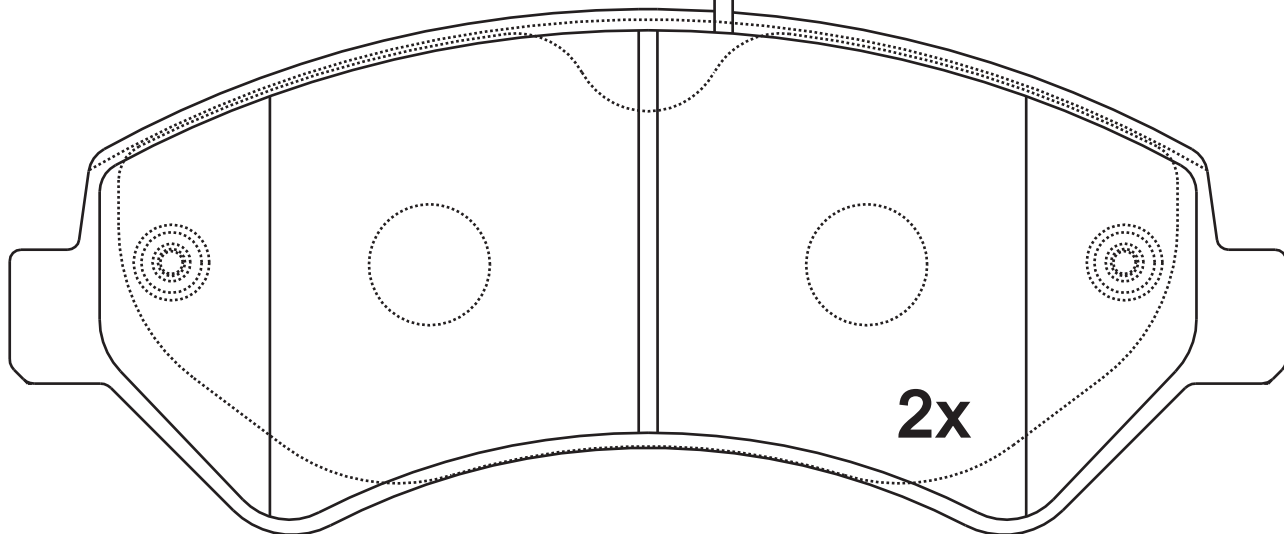
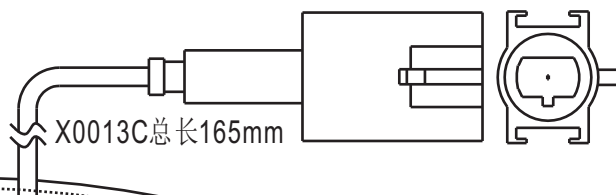


NOTE

**4 identical ,2 with wear
warning contact.**



24466



24467

Apply for:

Peugeot Manager (Latin America)

2008-2010

SR0766.04

**Dimension
(mm)**

168.8×69.5

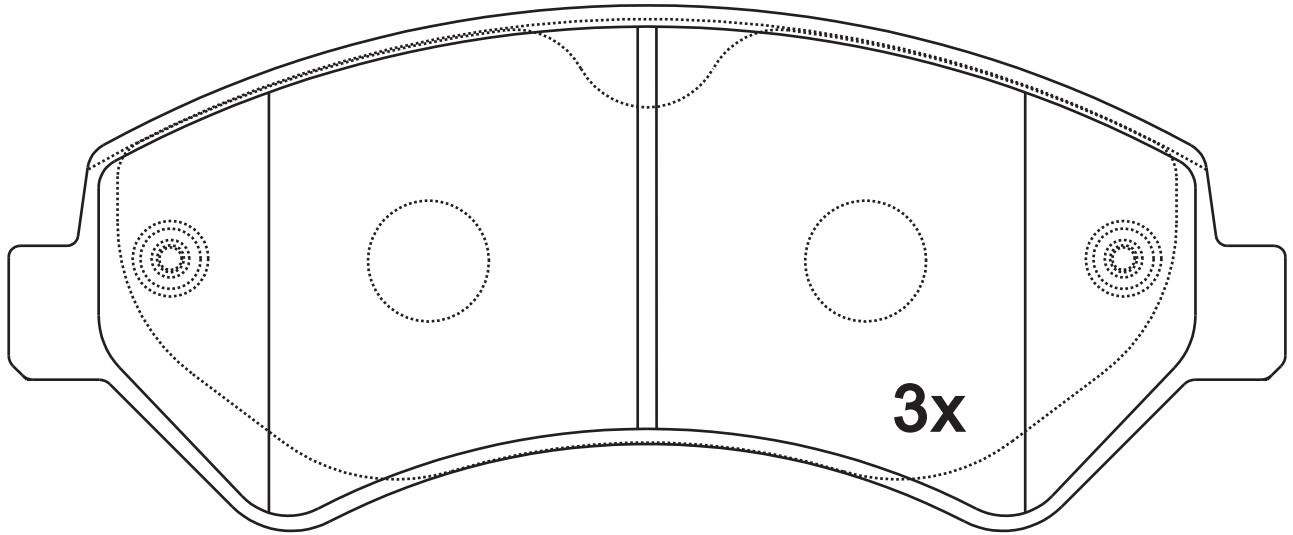
**Thickness
(mm)**

19

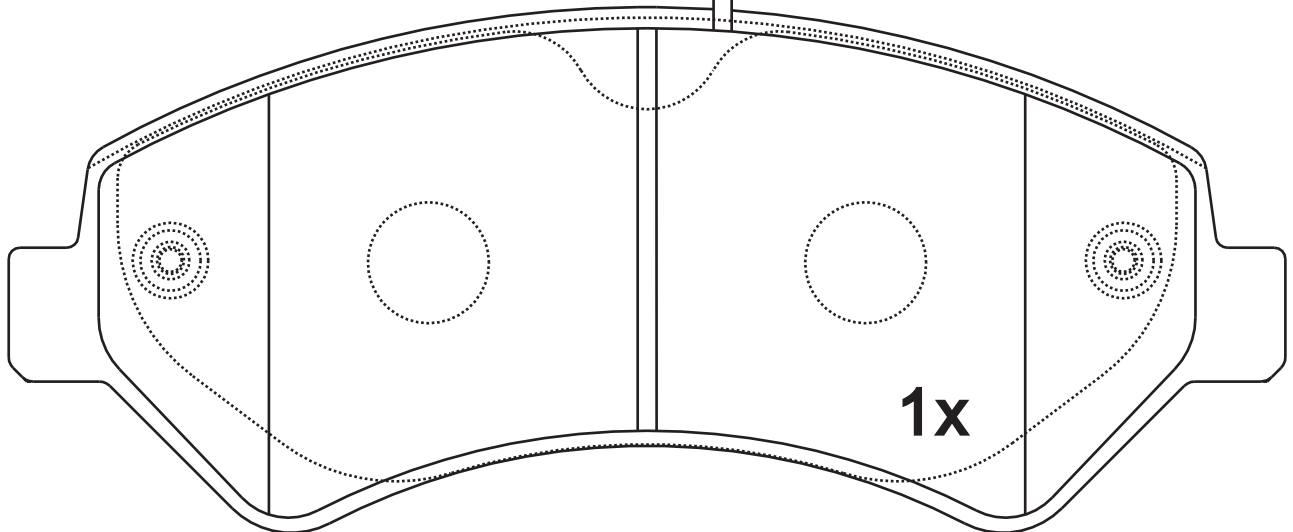
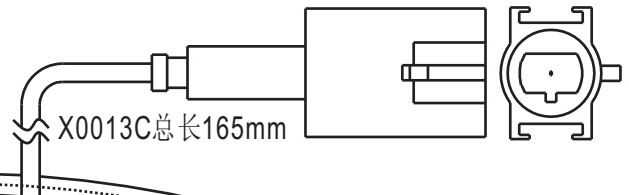


NOTE

**4 identical ,2 with wear
warning contact.**



24466



24467

Apply for:

Peugeot Manager (Latin America)

2008-2010

SR0766

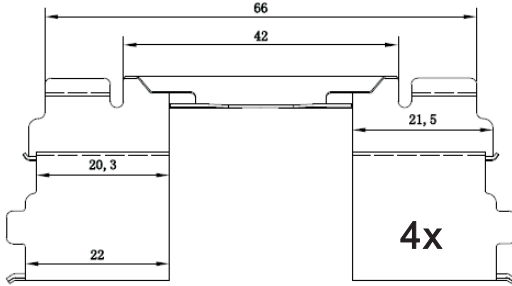
**Dimension
(mm)**

**Thickness
(mm)**



NOTE

**附件包
Accessory bag**

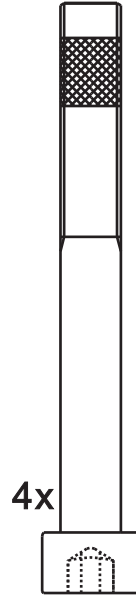


DX0010



XJ003

FJB0766.01

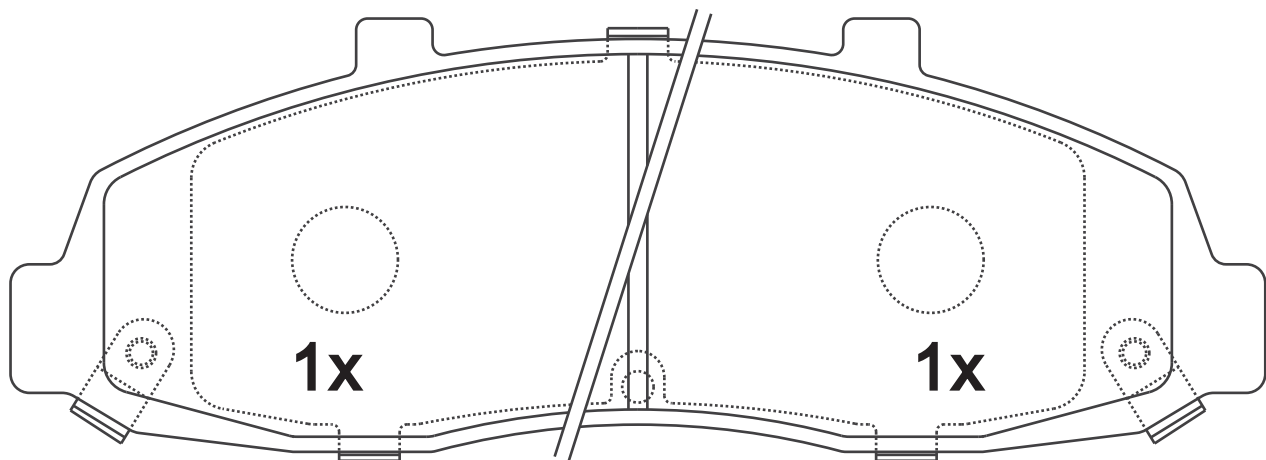
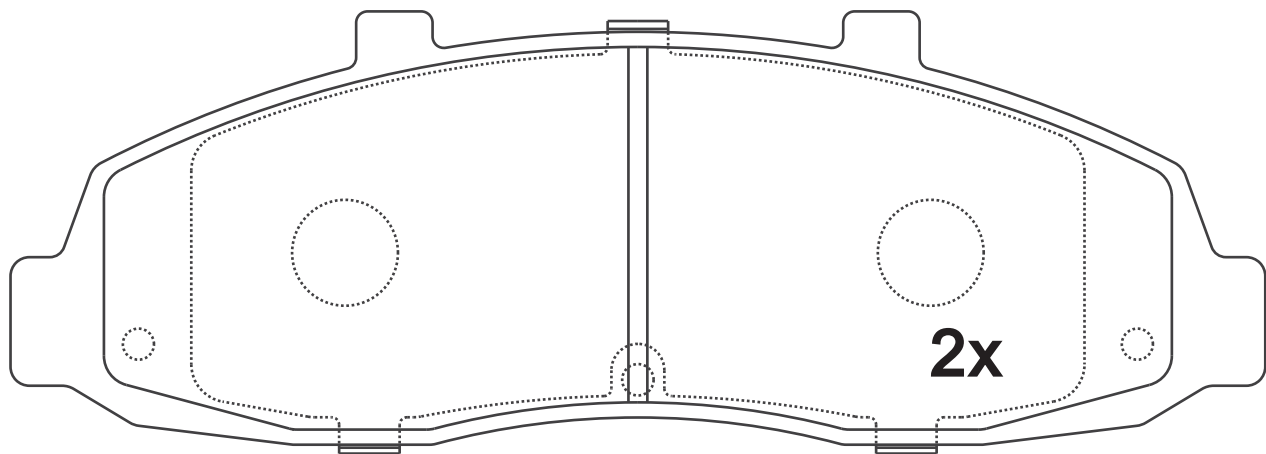


M8X70
L0019

SR0767.01

Dimension (mm)	Thickness (mm)	
166×57.3	16	

NOTE
2 identical; 2 identical, 1 with acoustic indicator (left), 1 with acoustic indicator (right).



GDB4103

D679-7558

Apply for:

Ford Truck F-150
Ford Truck F-150 Heritage
Lincoln Blackwood

1997-2003
2004-
2002-2003

SR0768.01

**Dimension
(mm)**

**Thickness
(mm)**

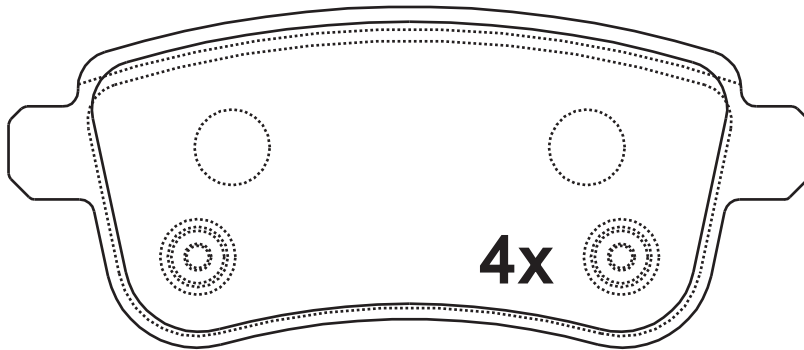


NOTE

4 identical;

106×45.1

15.6



24820

Apply for:

Renault Grand Scénic Iii (Jz0/1_)
Renault Megane Cc (Ez0/1_)
Renault Megane Iii Coupe (Dz0/1_)

2009/02-
2010/06-
2008/11-

SR0768

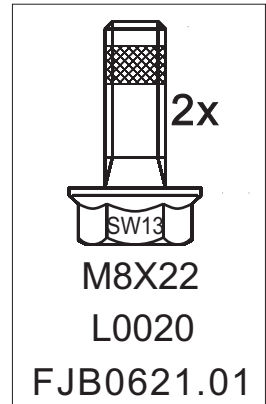
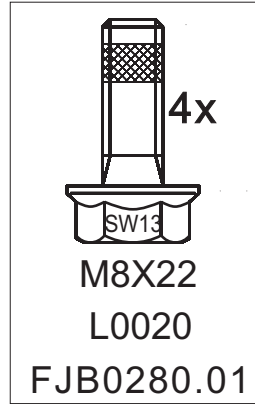
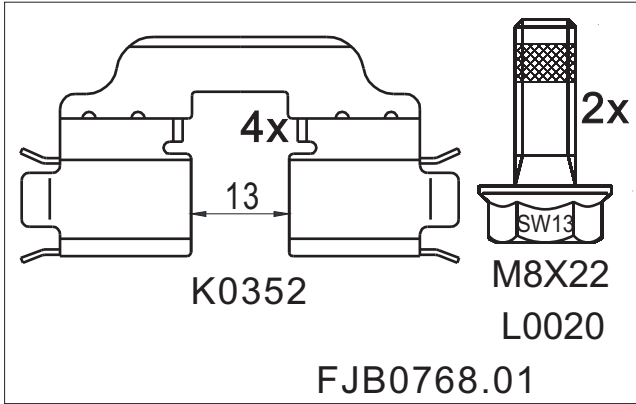
**Dimension
(mm)**

**Thickness
(mm)**





NOTE

**附件包
Accessory bag**

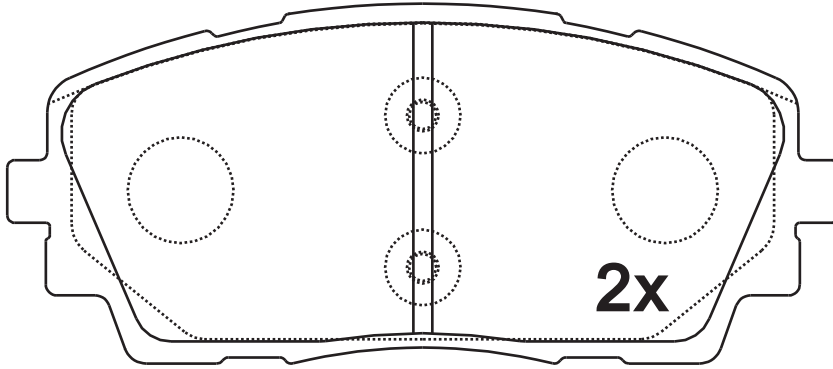


SR0769.01

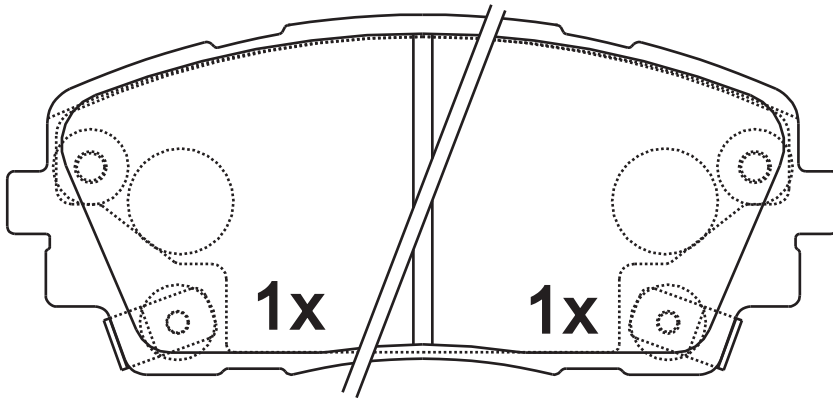
Dimension (mm)	Thickness (mm)	
110.2×47.6	16.1	

NOTE

2 identical;2 identical,1 with acoustic indicator (left),1 with acoustic indicator(right).



25365



25367

25366

Apply for:

Kia Picanto (Sa)
Kia Picanto (Ta)

2004/04-
2011/05-

SR0769

**Dimension
(mm)**

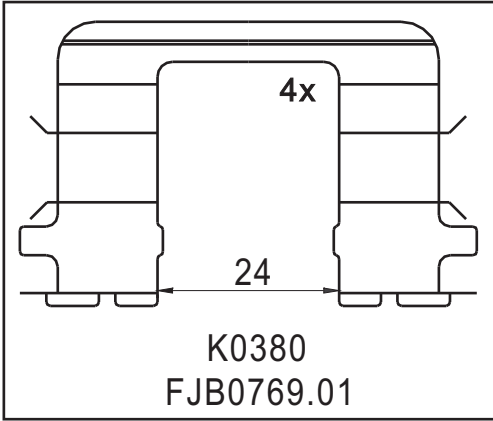
**Thickness
(mm)**



NOTE

附件包

Accessory kit



SR0770.01

**Dimension
(mm)**

155×70.5

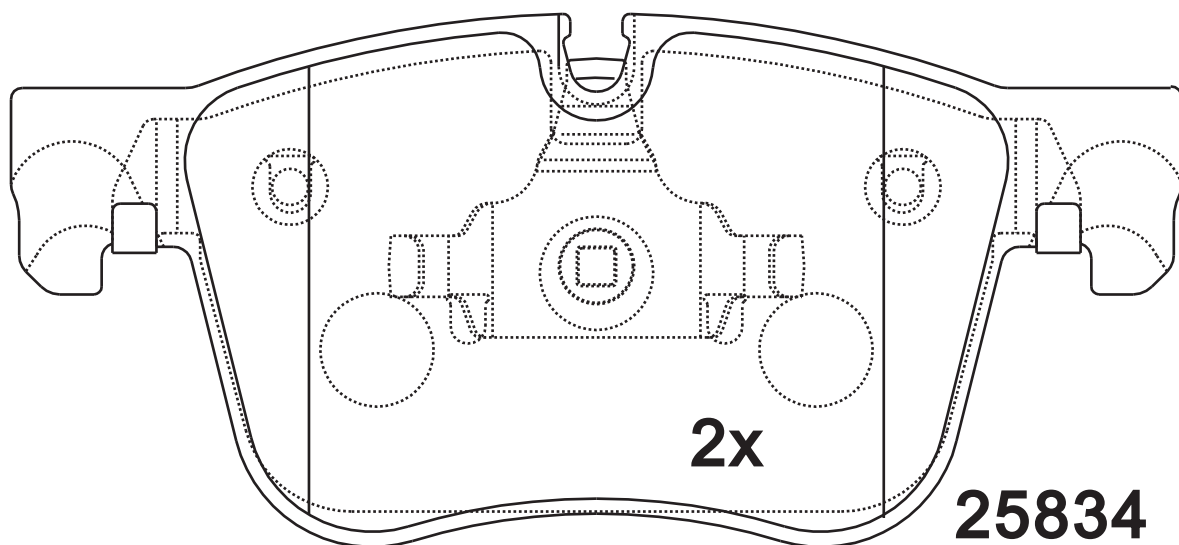
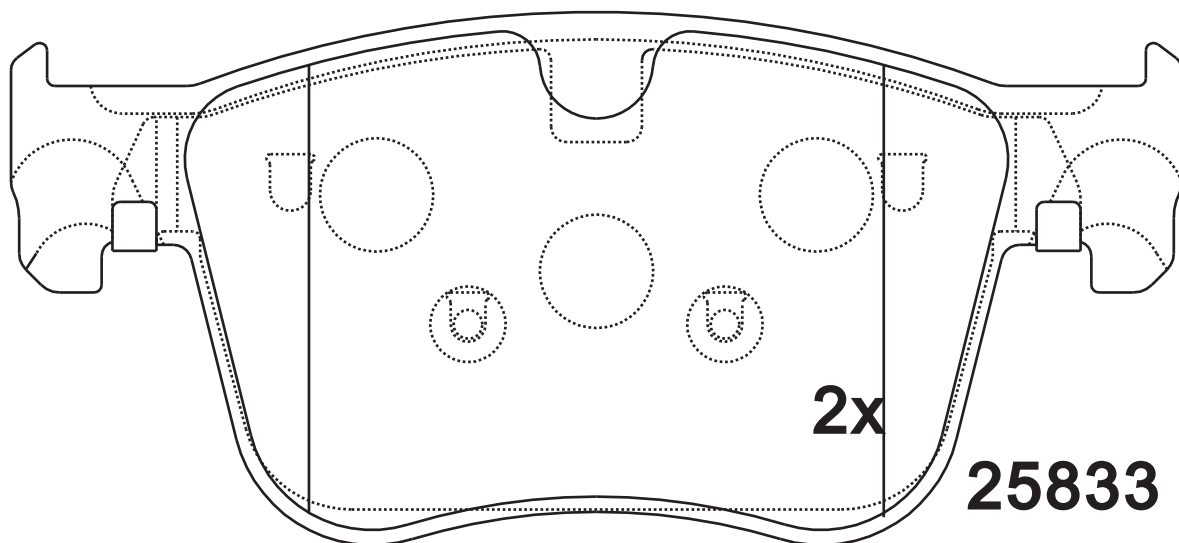
**Thickness
(mm)**

16.8



NOTE

2 identical;2 identical;



Apply for:

Citroen C4 Grand Picasso Ii
Peugeot 308 Ii

2013/09-
2013/09-

SR0770.02

**Dimension
(mm)**

155×70.5

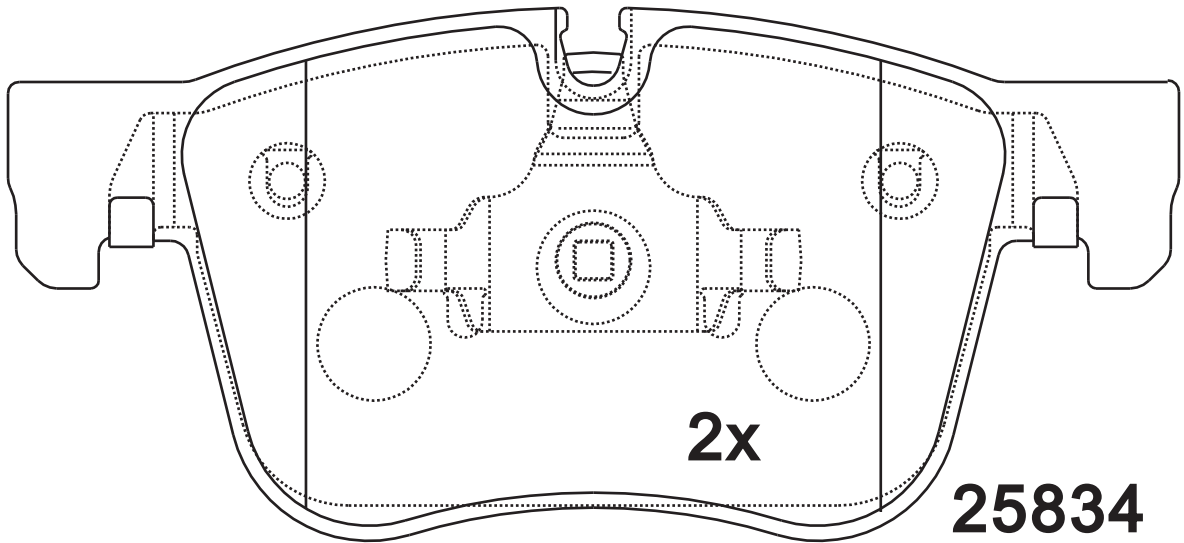
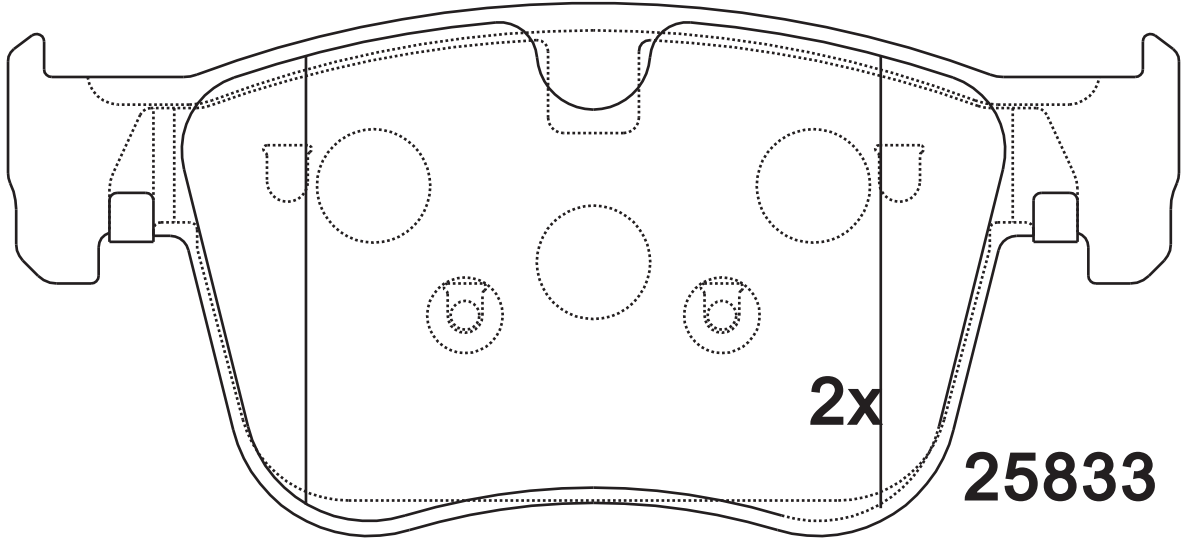
**Thickness
(mm)**

16.8



NOTE

2 identical;2 identical;



Apply for:

Citroen C4 Picasso Ii
Peugeot 308 Sw Ii

2013/01-
2014/03-

SR0770.03

**Dimension
(mm)**

**Thickness
(mm)**



NOTE

2 identical;2 identical;

155×70.5

16.8



155.3 x 71.0 x 17.1



2x

22813 x 2



2x

25833 x 2



GDB2193

Apply for:

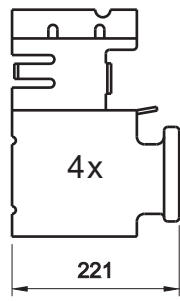
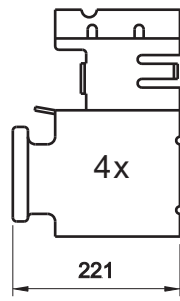
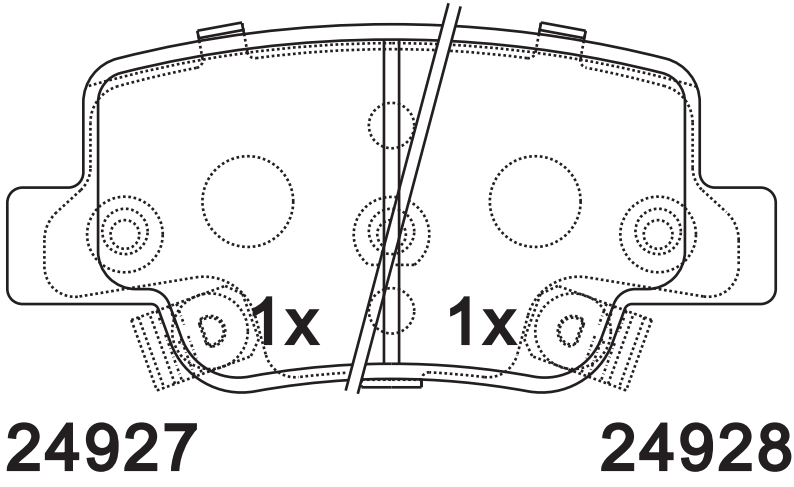
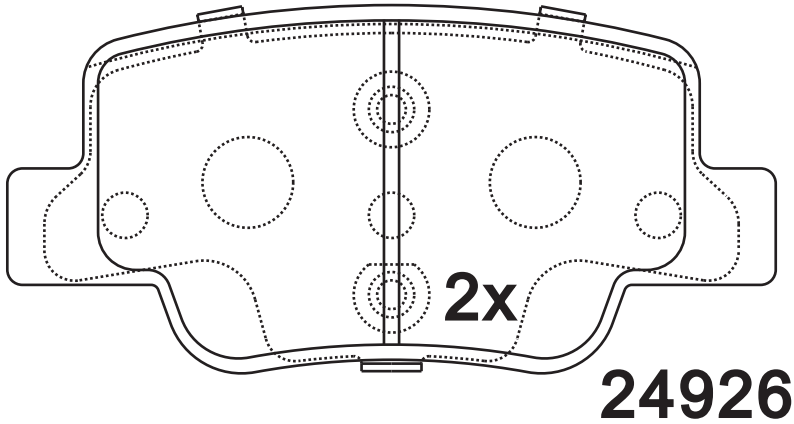
Citroen C4 Picasso Ii
Peugeot 308 Sw Ii

2013/01-
2014/03-

SR0771.01

Dimension (mm)	Thickness (mm)	
101.8×48.7	16.1	

NOTE
2 identical;2 identical,1 with acoustic indicator (left),1 with acoustic indicator(right).



Apply for:

Toyota Verso (_R2_)

2009/04-

SR0771

**Dimension
(mm)**

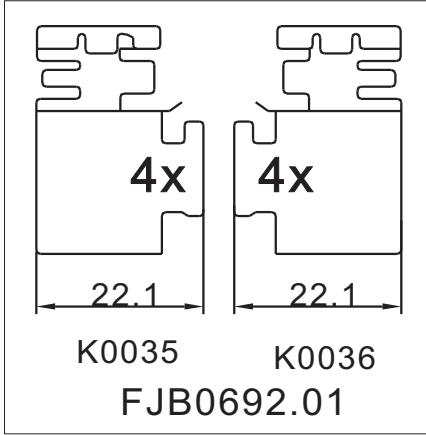
**Thickness
(mm)**



NOTE

附件包

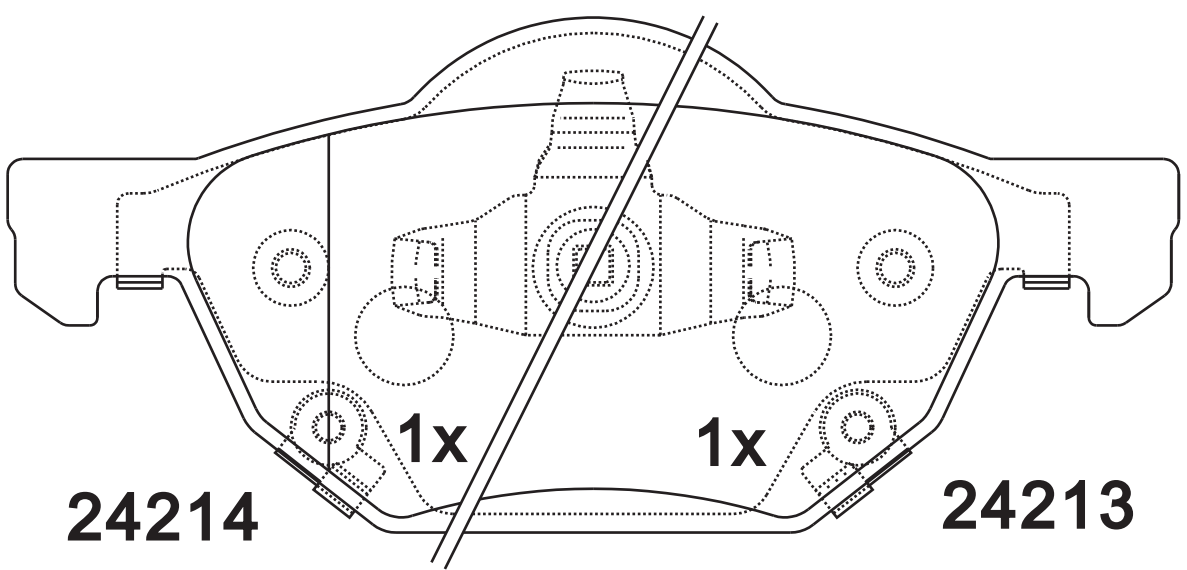
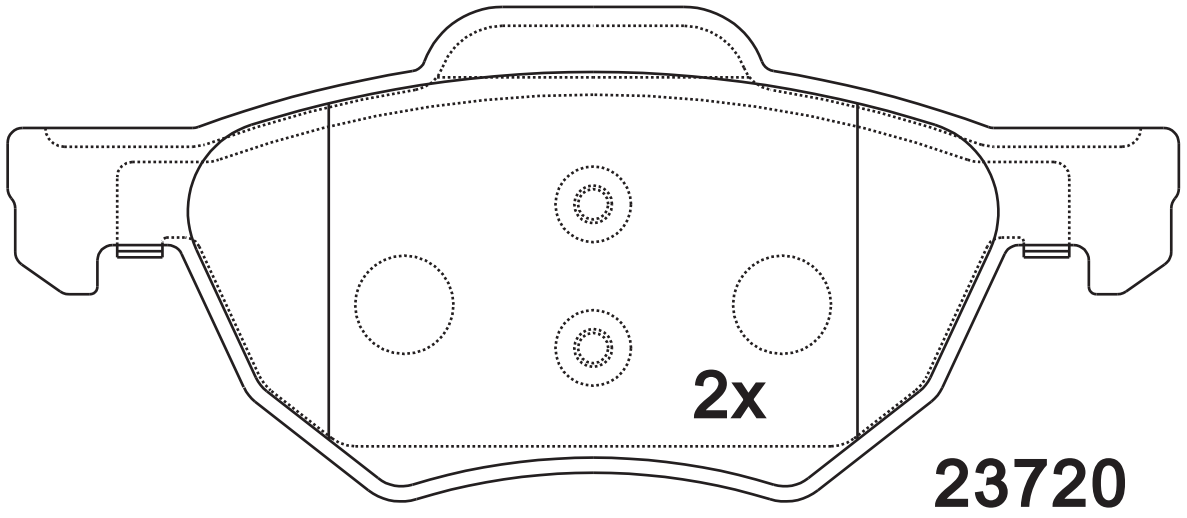
Accessory kit



SR0772.01

Dimension (mm)	Thickness (mm)	
155×65.4 155×68.1	16.5	

NOTE
2 identical;2 identical,1 with acoustic indicator (left),1 with acoustic indicator(right).



Apply for:

Honda Accord Vi Aerodeck (Cf)
Honda Accord Vii

1997/07-2005/09
2003/01-2012/09

SR0772

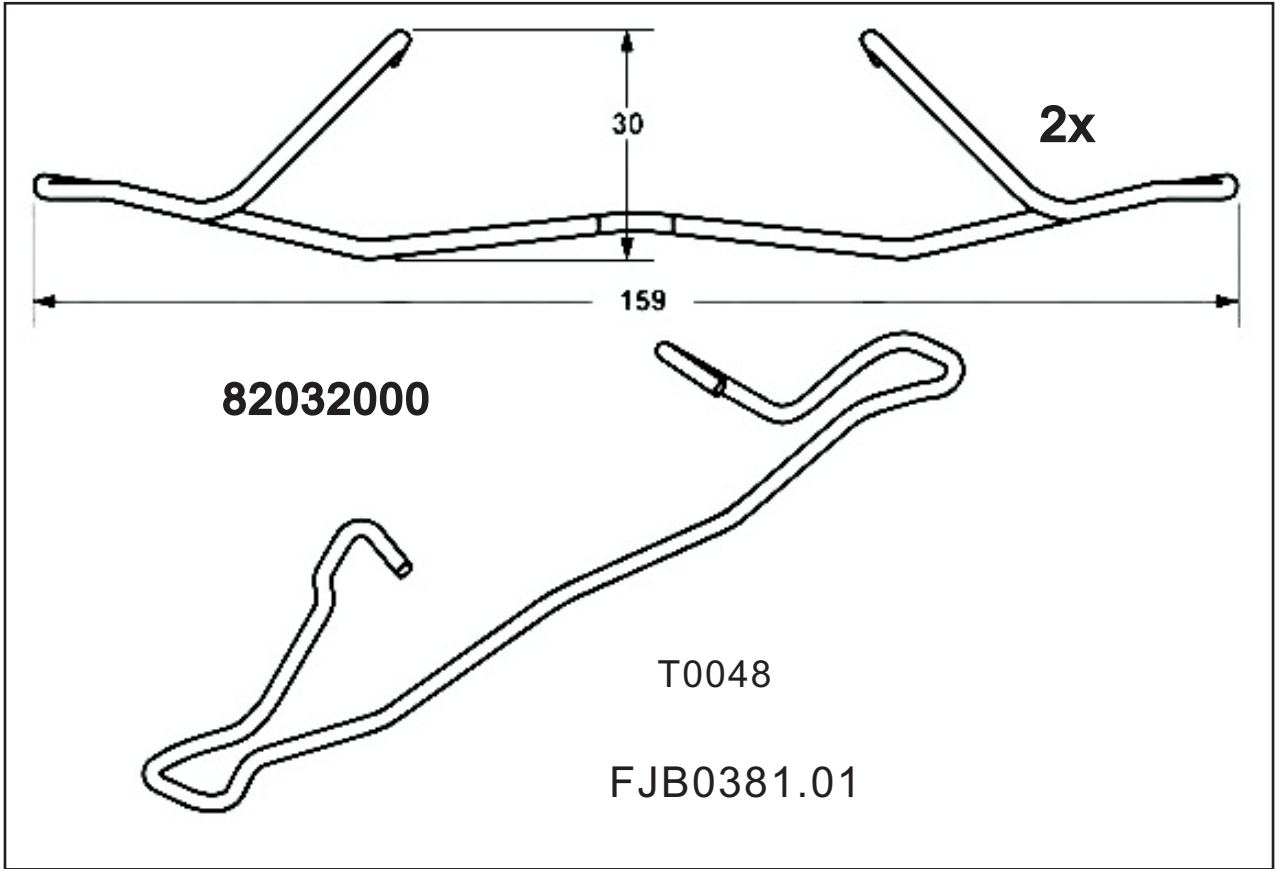
**Dimension
(mm)**

**Thickness
(mm)**



NOTE

附件包
Accessory bag



SR0773.01

**Dimension
(mm)**

**Thickness
(mm)**

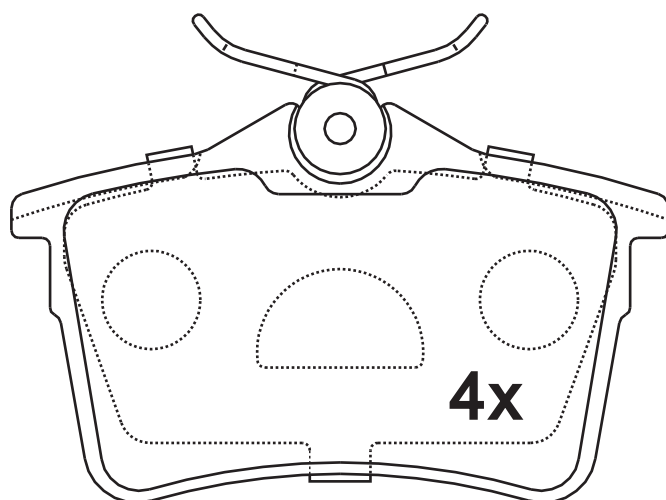


NOTE

4 identical;

87×52.8

16.5



24765

Apply for:

Citroen Berlingo (B9)

2008/04-

Citroen Berlingo Box (B9)

2008/04-

Peugeot 308 Sw

2007/09-

SR0773

**Dimension
(mm)**

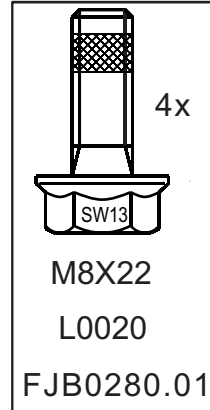
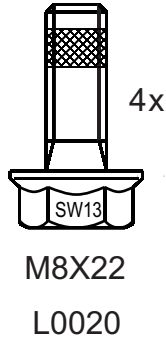
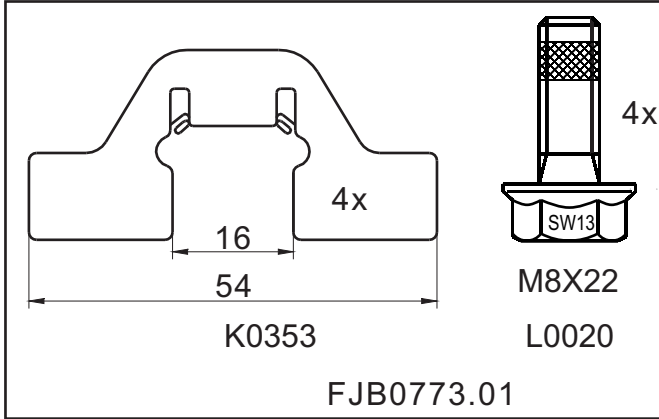
**Thickness
(mm)**



NOTE

附件包

Accessory kit



SR0774.01

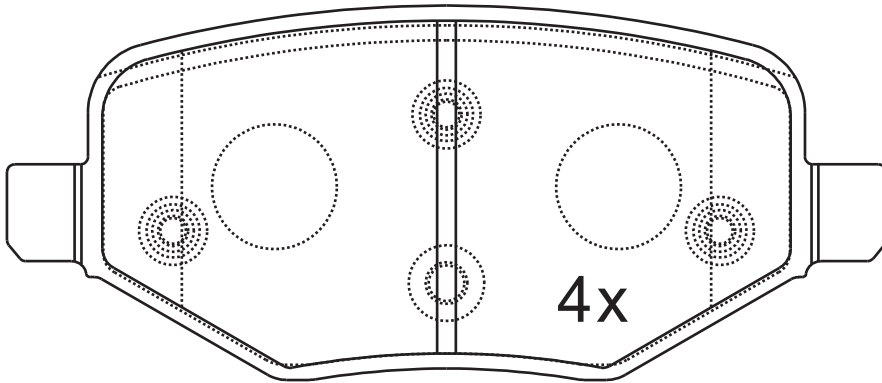
**Dimension
(mm)**

**Thickness
(mm)**



NOTE

4 identical;



D1377

Apply for:

Ford Edge	2011-2013
Ford Taurus	2010-2012
Ford Taurus SHO	2010-2012
Ford Truck Explorer	2011-2012
Ford Truck Flex	2009-2013
Ford Truck Police Interceptor Utilit	2013-2014
Lincoln MKS	2009-2012
Lincoln MKT	2010-2012
Lincoln MKX	2011-2012

SR0774

**Dimension
(mm)**

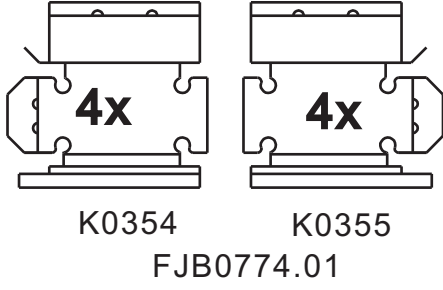
**Thickness
(mm)**



NOTE

附件包

Accessory kit



SR0775.01

**Dimension
(mm)**

156.5×68.5

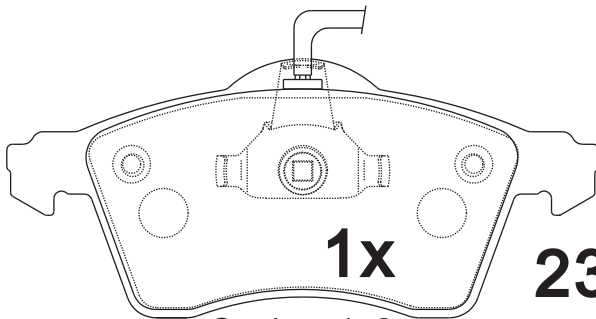
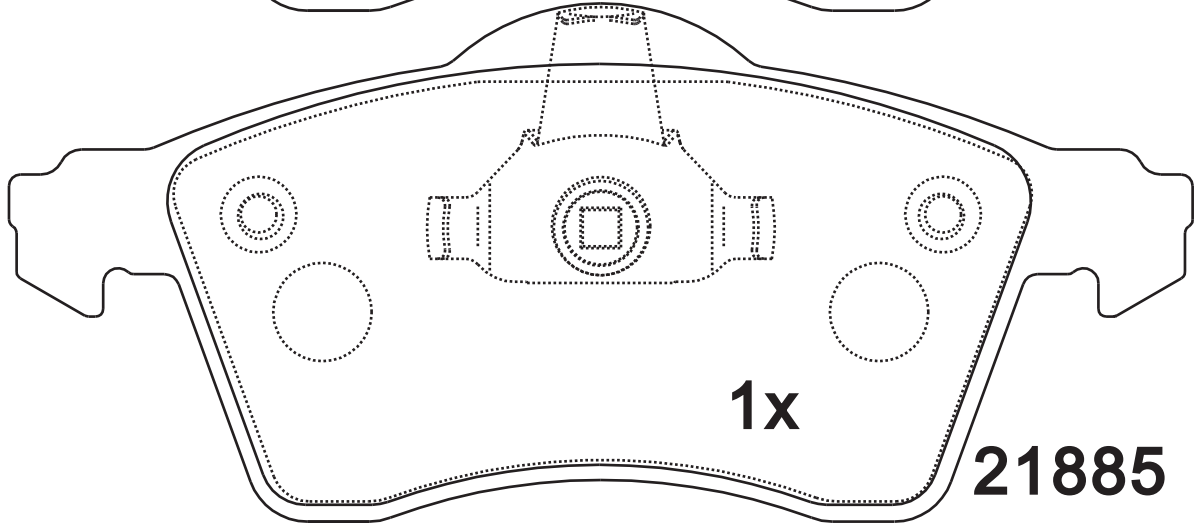
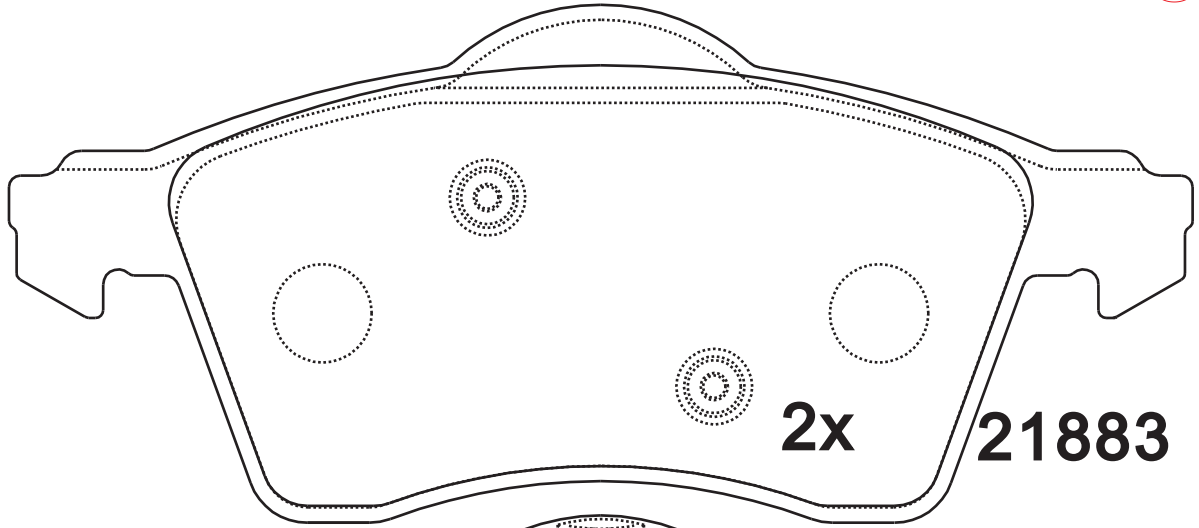
**Thickness
(mm)**

20



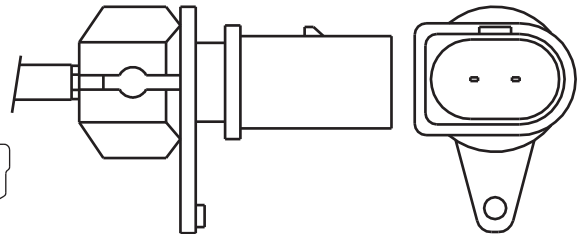
NOTE

**2 identical; 2 identical,
1 with warn indicator.**



Scale : 1 : 2

23163



Apply for:

Volkswagen EuroVan
Volkswagen EuroVan

1997-
1999-

SR0775.02

**Dimension
(mm)**

156.5×68.5

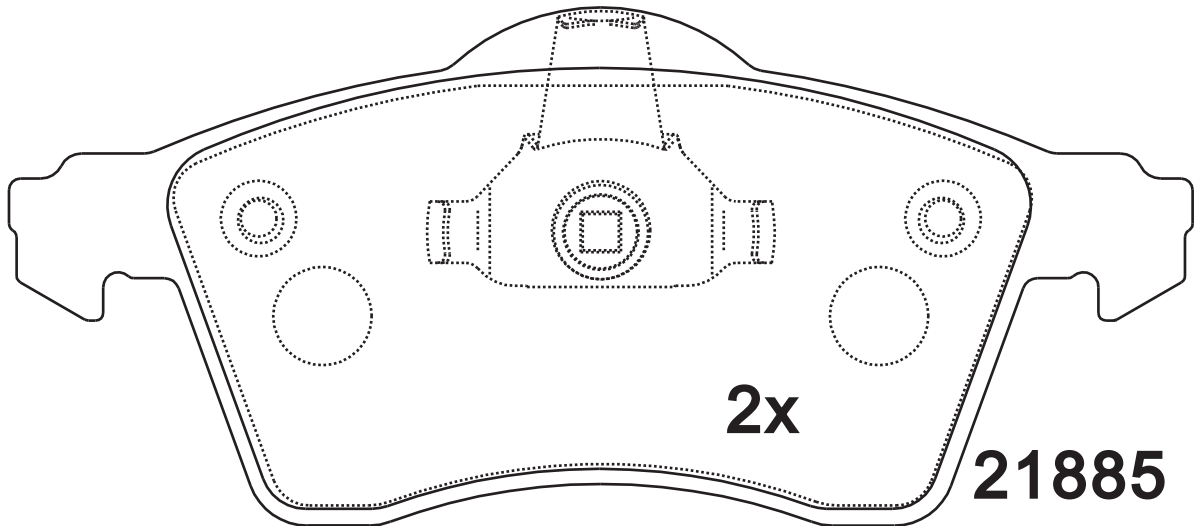
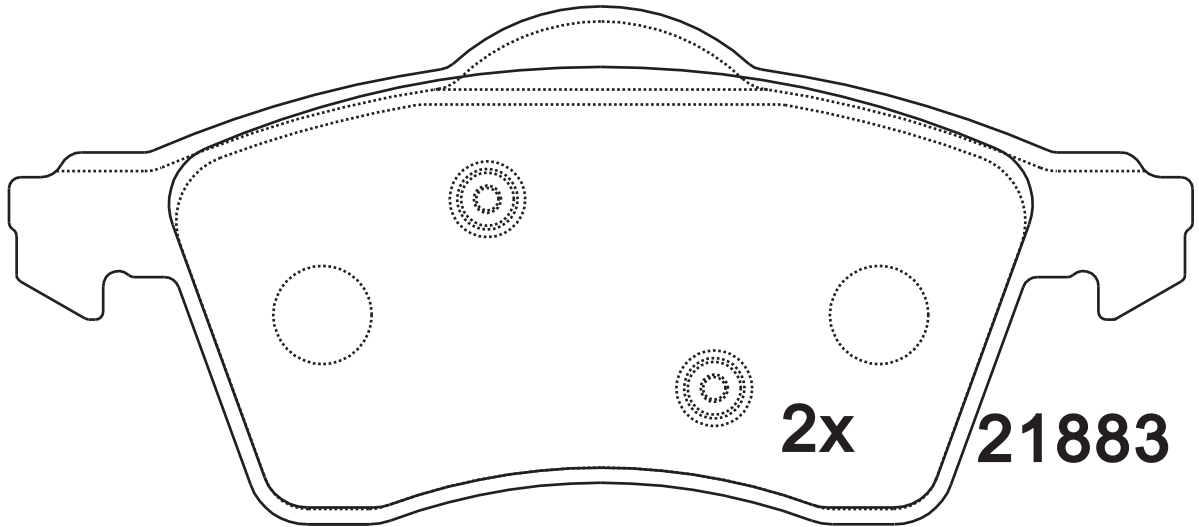
**Thickness
(mm)**

20



NOTE

2 identical; 2 identical



Apply for:

Volkswagen EuroVan
Volkswagen EuroVan

1997-
1999-

SR0776.01

**Dimension
(mm)**

154.8×52.4
154.8×52.7

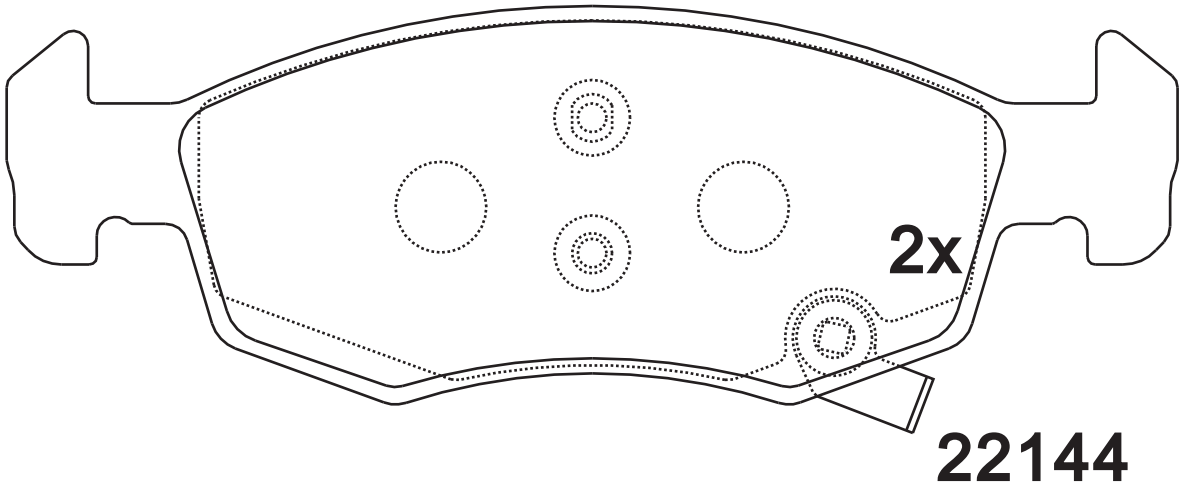
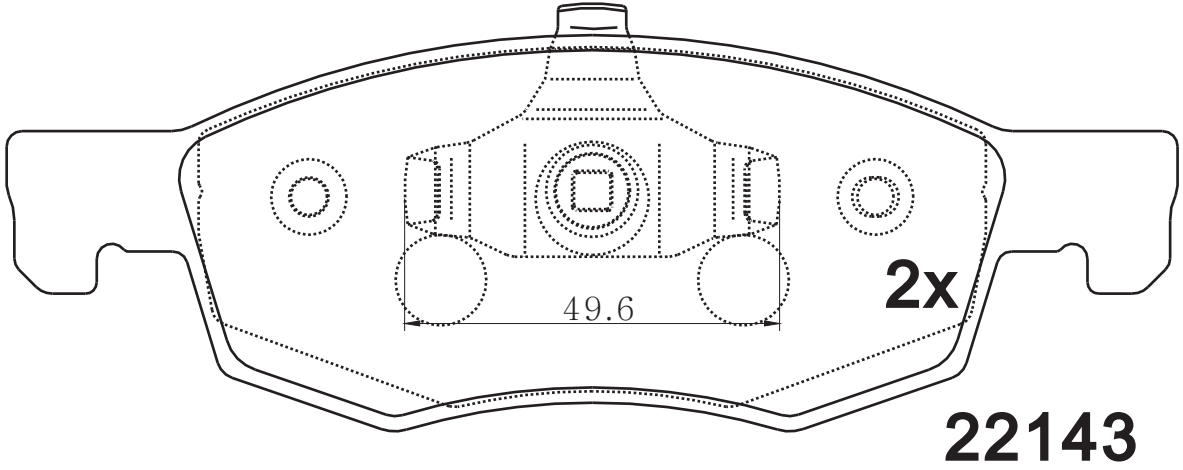
**Thickness
(mm)**

17



NOTE

2 identical; 2 identical;



Apply for:

Opel CORSA(E)

08.14

SR0776

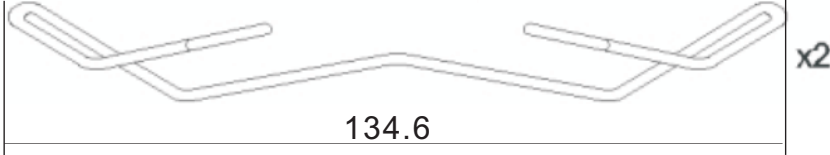
**Dimension
(mm)**

**Thickness
(mm)**



NOTE

**附件包
Accessory bag**



FJB2T0075

SR0777.01

**Dimension
(mm)**

**Thickness
(mm)**

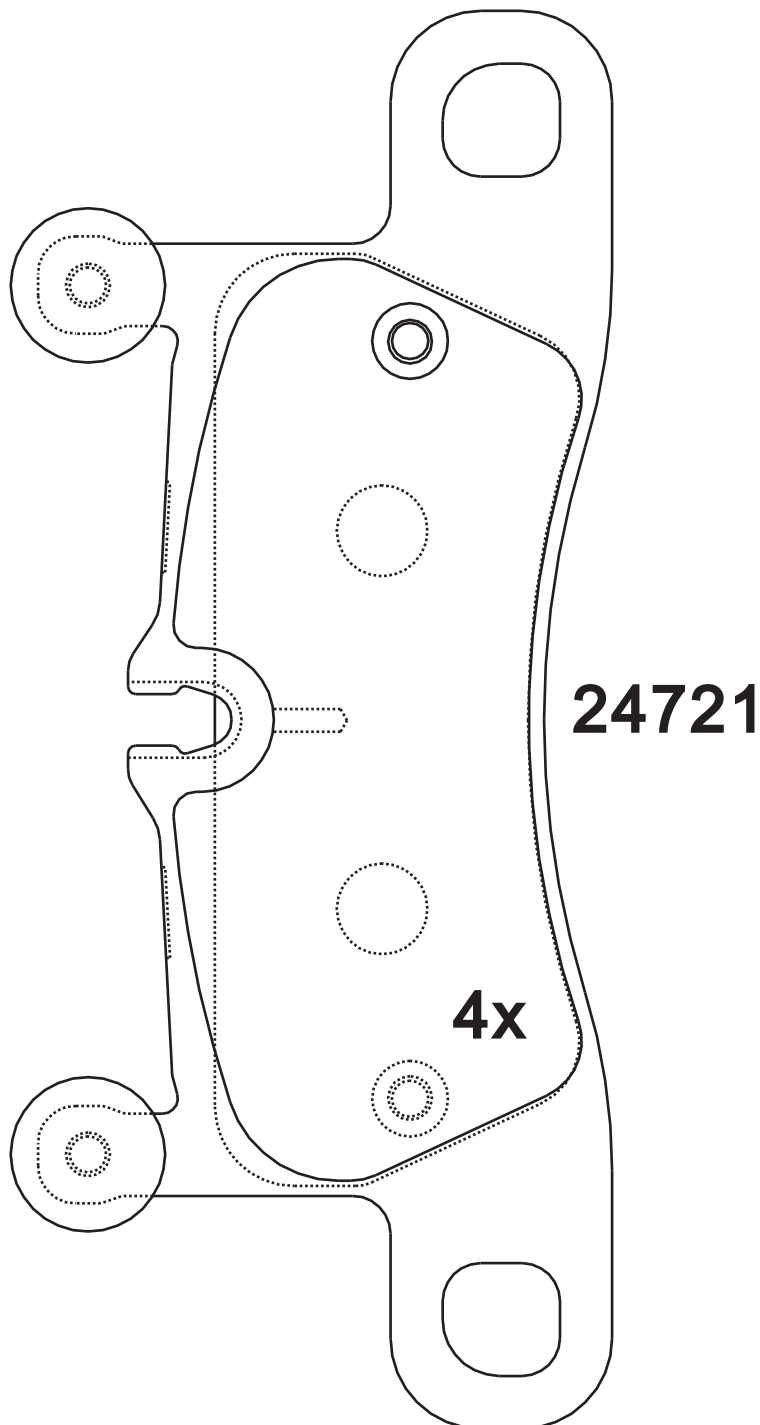


NOTE

4 identical;

187.5×75.9



17

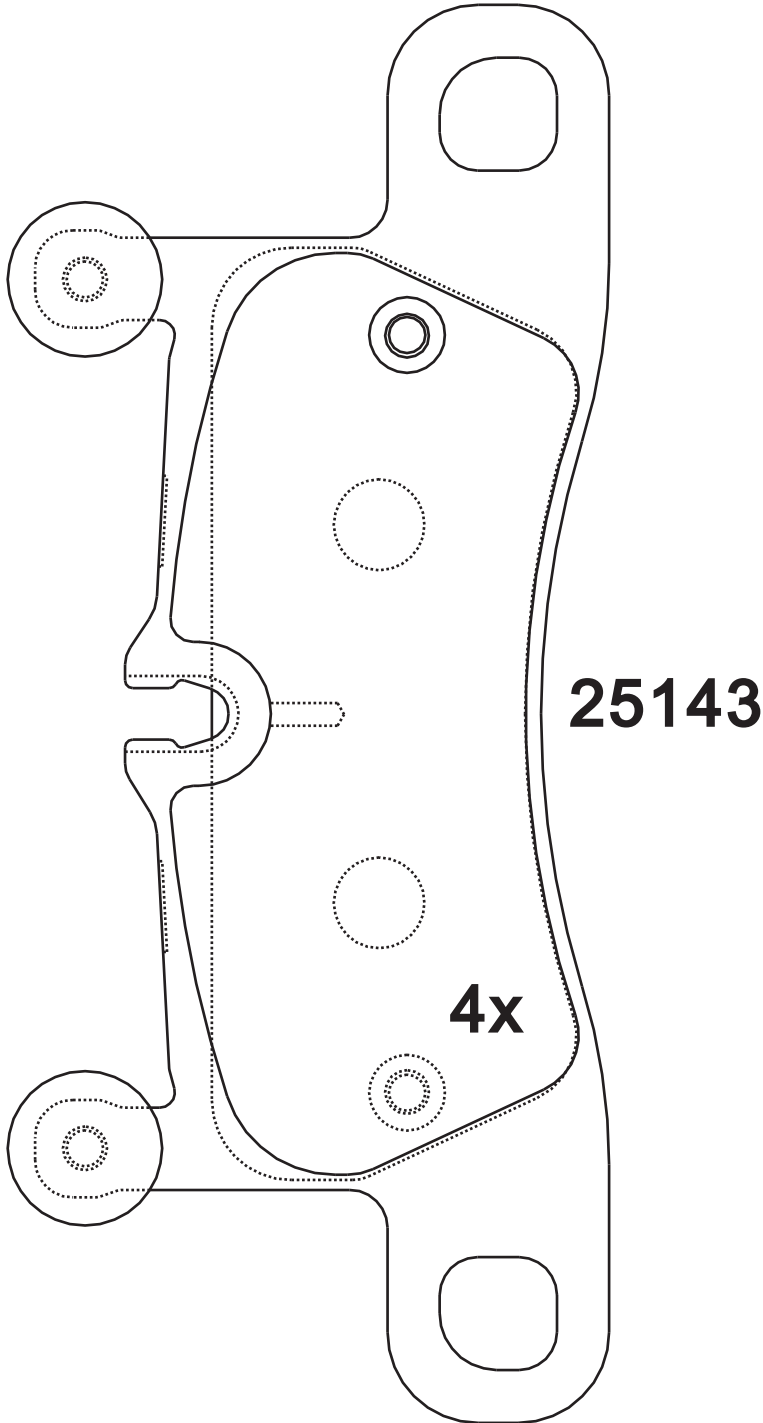


Apply for:

Porsche 911 (991)
Volkswagen Touareg

2011/12-
2010/01-2018/03

SR0777.02	Dimension (mm)	Thickness (mm)		NOTE 4 identical;
	187.5×75.9	16		



Apply for:

Porsche 911 (991)
Volkswagen Touareg

2011/12-
2010/01-2018/03

SR0777

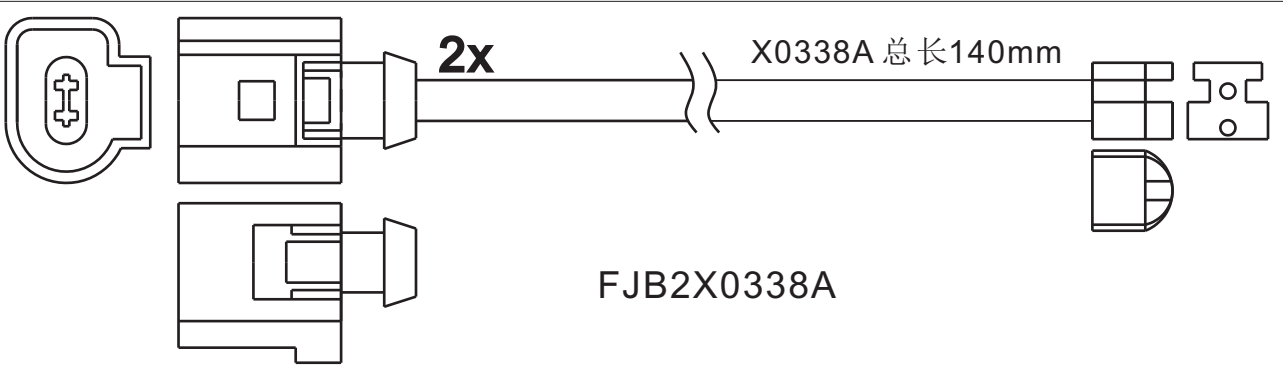
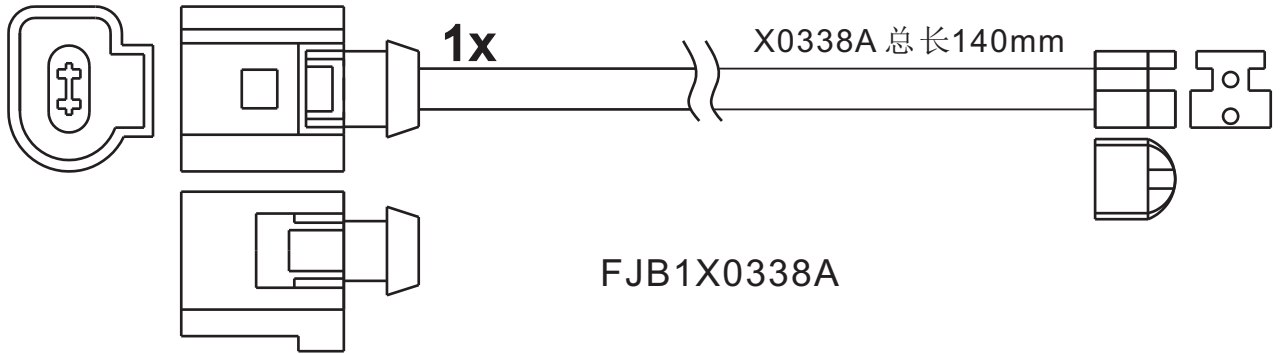
**Dimension
(mm)**

**Thickness
(mm)**



NOTE

**附件包
Accessory bag**



SR0778.01

**Dimension
(mm)**

128.8×71.4

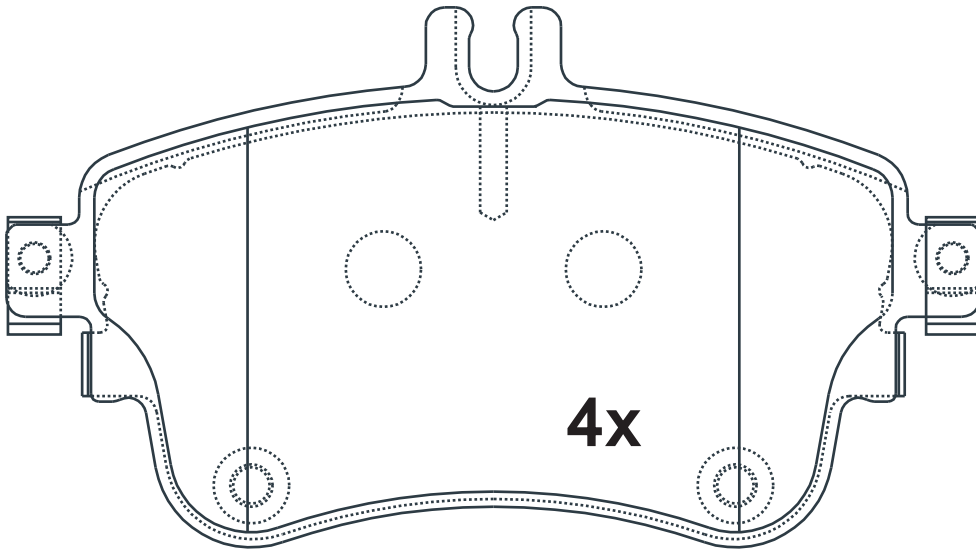
**Thickness
(mm)**

19



NOTE

4 identical;



25326

Apply for:

**Mercedes A-CLASS (W176)
Mercedes B-CLASS (W246, W242)**

**2012/06-
2011/11-**

SR0778

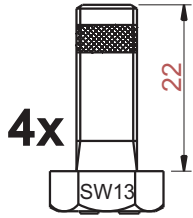
**Dimension
(mm)**

**Thickness
(mm)**



NOTE

附件包
Accessory bag



M8X22

L0025

FJB0889.01

SR0779.01

**Dimension
(mm)**

**Thickness
(mm)**

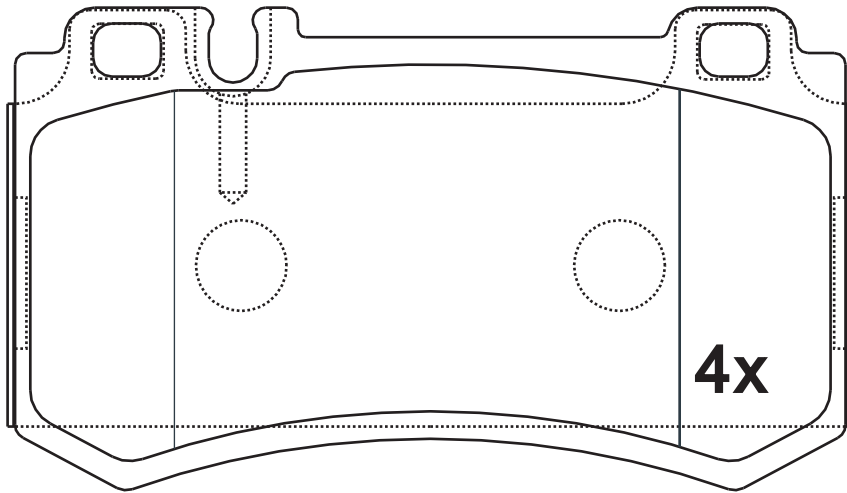


NOTE

4 identical;

111.8×63.8

16.5



23478

Apply for:

Mercedes-Benz CL55 AMG	2003-2006
Mercedes-Benz CL600	2003-2006
Mercedes-Benz CL65 AMG	2005-2006
Mercedes-Benz CLK55 AMG	2005-2006
Mercedes-Benz CLK63 AMG	2007-2009

SR0780.01

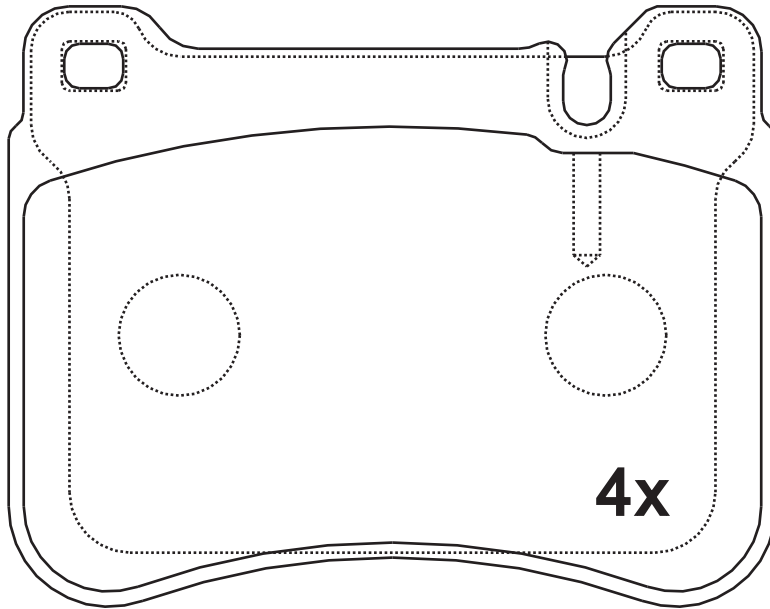
**Dimension
(mm)**

**Thickness
(mm)**

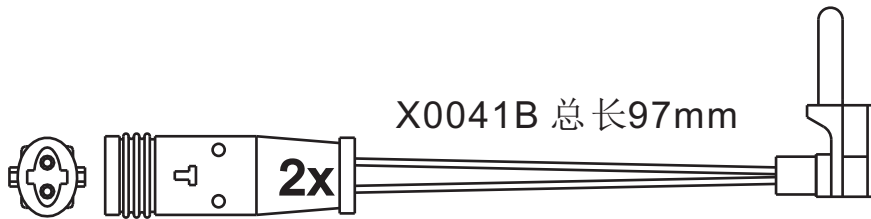


NOTE

4 identical;



23945



FJB2X0041B

Apply for:

- | | |
|------------------------------------|-----------|
| Mercedes-Benz C230 | 2007 |
| Mercedes-Benz C230 Sport | 2003-2005 |
| Mercedes-Benz C240 Sport | 2002-2004 |
| Mercedes-Benz C320 Sport | 2002-2005 |
| Mercedes-Benz CLK350 Sport | 2006-2009 |
| Mercedes-Benz SLK280 Sport Package | 2006-2008 |
| Mercedes-Benz SLK300 Sport | 2009-2011 |
| Mercedes-Benz SLK350 | 2006-2011 |

SR0781.01

**Dimension
(mm)**

**Thickness
(mm)**

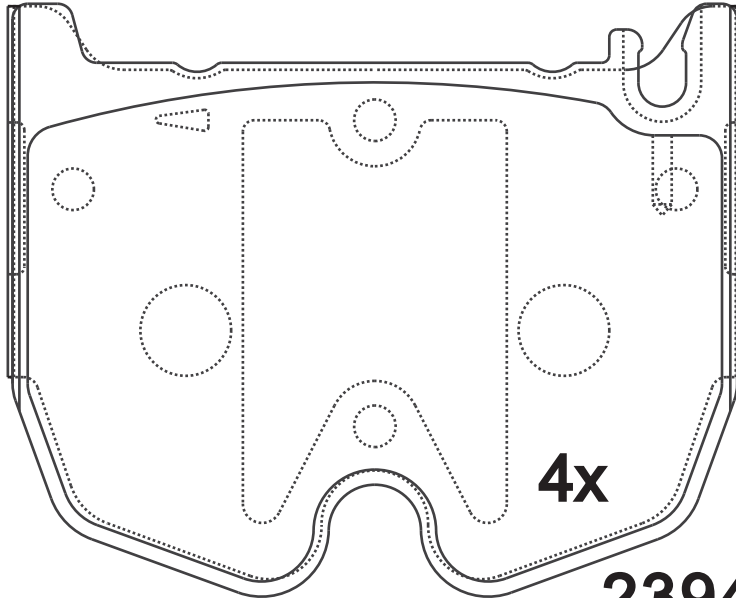


NOTE

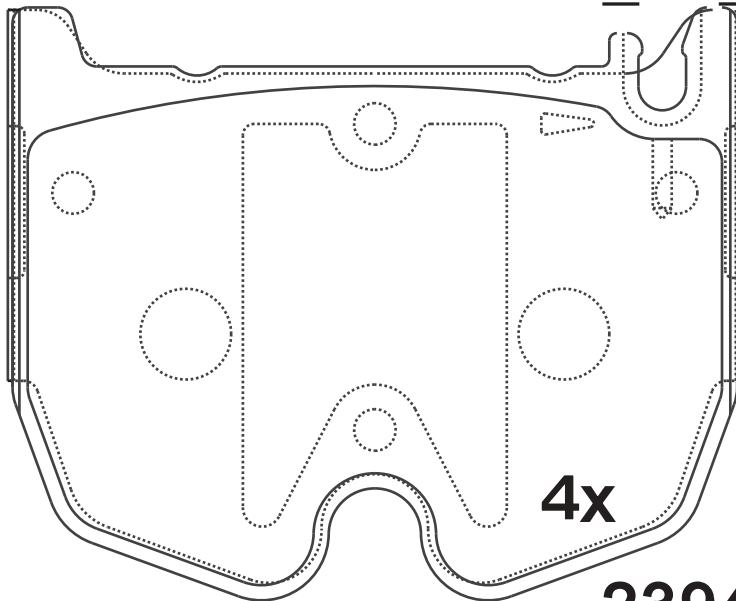
4 identical;

97.8×78.5

17.5



23943



23944

Apply for:

- | | |
|--|-----------|
| Mercedes-Benz CL55 AMG | 2003-2006 |
| Mercedes-Benz CL65 AMG | 2005-2006 |
| Mercedes-Benz CLS55 AMG | 2006 |
| Mercedes-Benz CLS55 AMG Performance | 2006 |
| Mercedes-Benz E55 AMG | 2003-2006 |
| Mercedes-Benz S55 AMG | 2003-2006 |
| Mercedes-Benz S65 AMG | 2006 |
| Mercedes-Benz SL55 AMG | 2003-2006 |
| Mercedes-Benz SL55 AMG Performance Package | 2006 |
| Mercedes-Benz SL600 | 2004-2007 |
| Mercedes-Benz SL65 AMG | 2005-2006 |
| Mercedes-Benz SLR McLaren | 2005-2008 |

SR0782.01

**Dimension
(mm)**

193.1×82
193.1×81.9

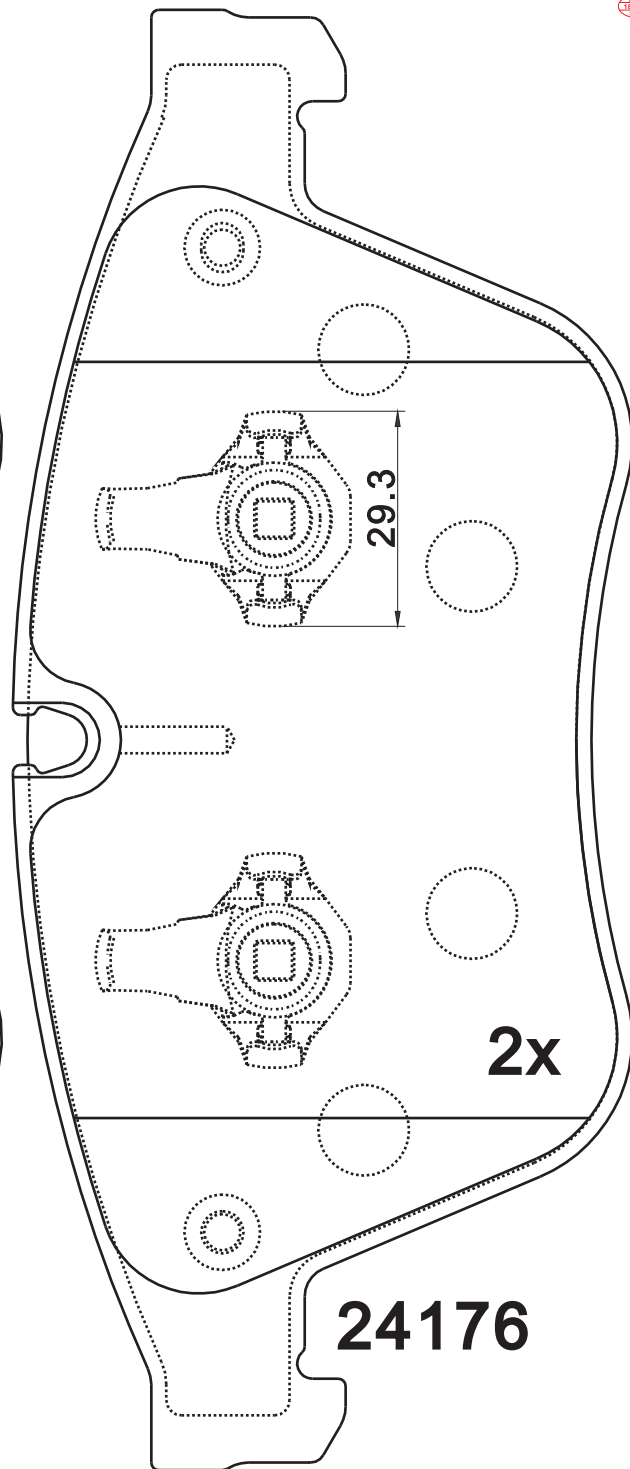
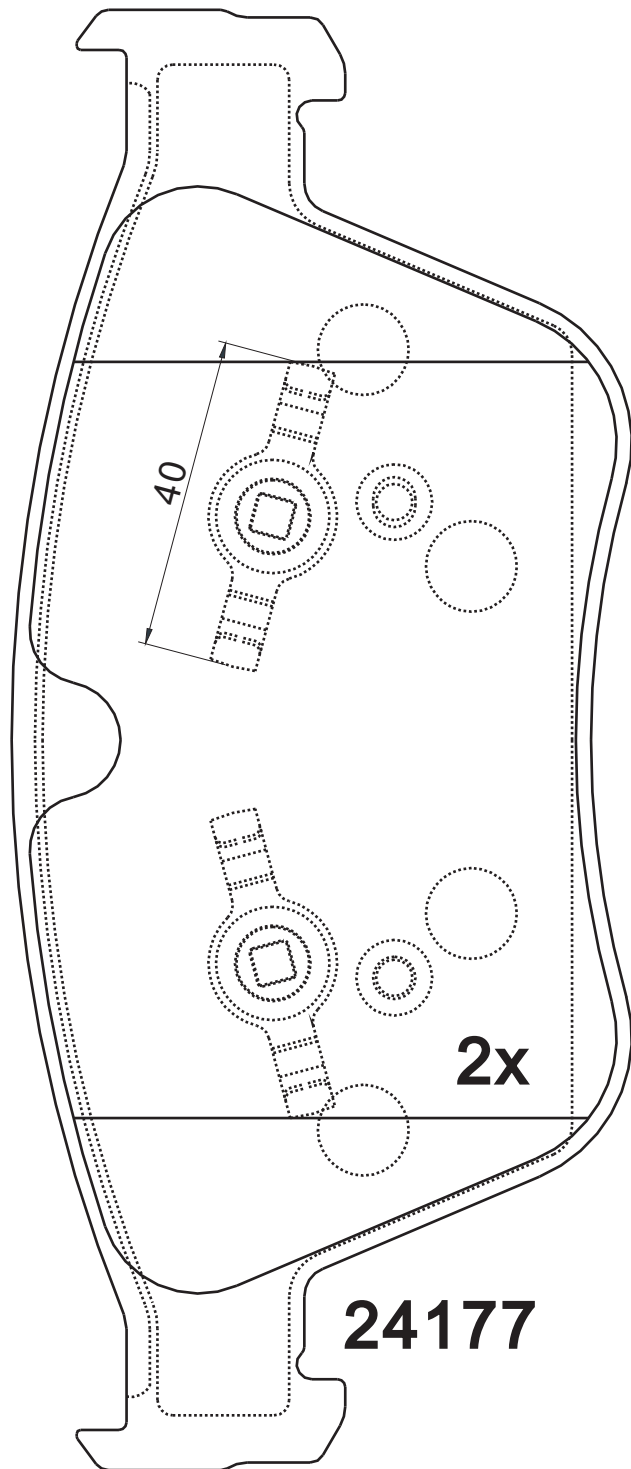
**Thickness
(mm)**

21



NOTE

2 identical; 2 identical;



Apply for:

Mercedes-Benz ML63 AMG
Mercedes-Benz R63 AMG

2007-2011
2007

SR0782.02

**Dimension
(mm)**

193×72.6

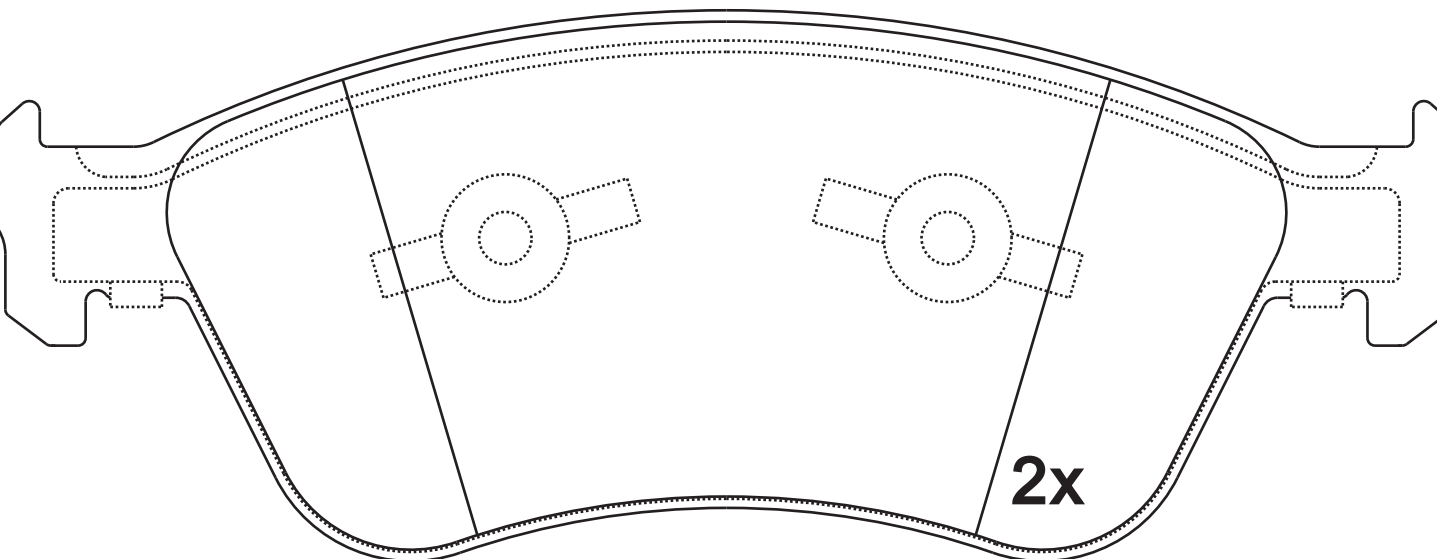
**Thickness
(mm)**

20.5

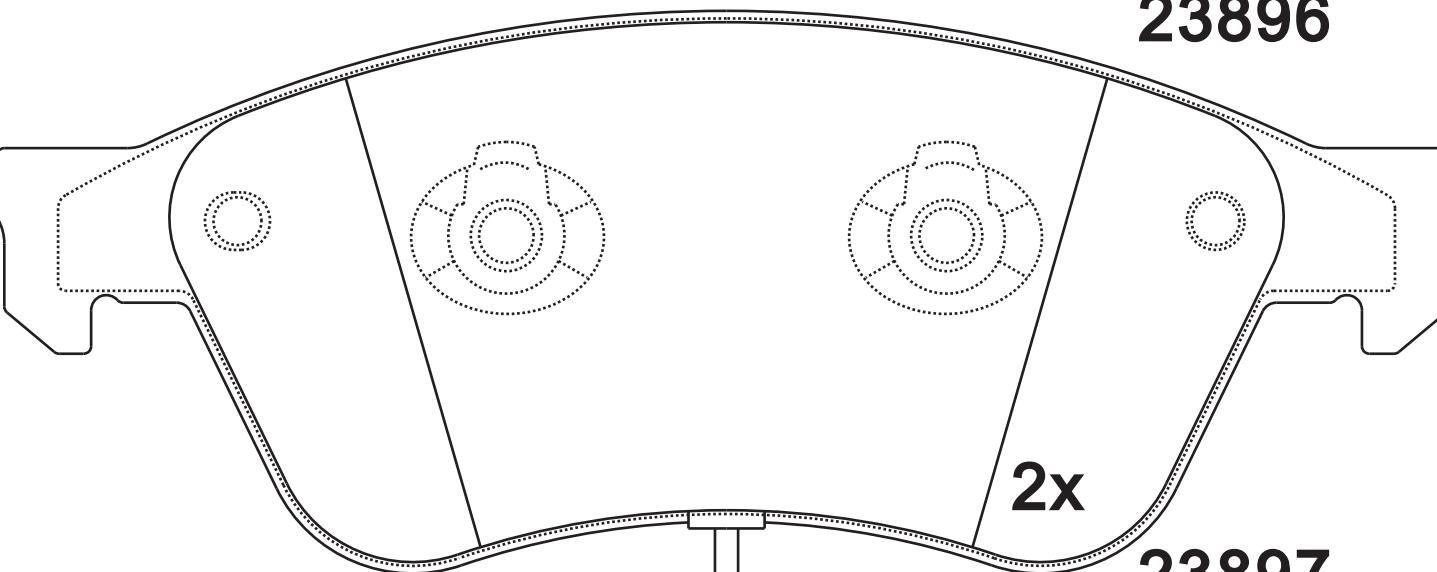


NOTE

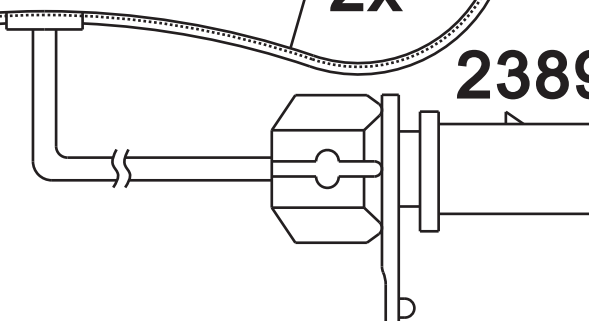
2 identical;2 identical;



23896



23897



Apply for:

Audi A8 Quattro

Audi S6

Audi S8



Volkswagen Phaeton

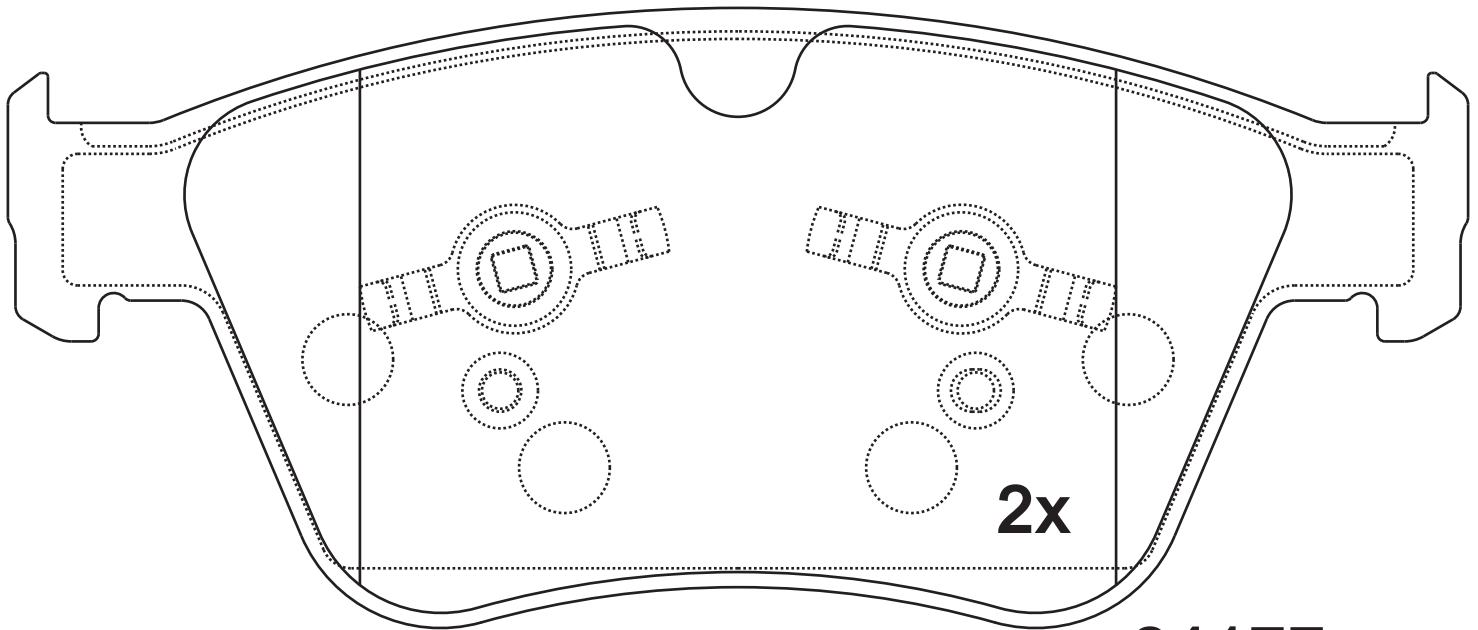
2005-2010

2007-2011

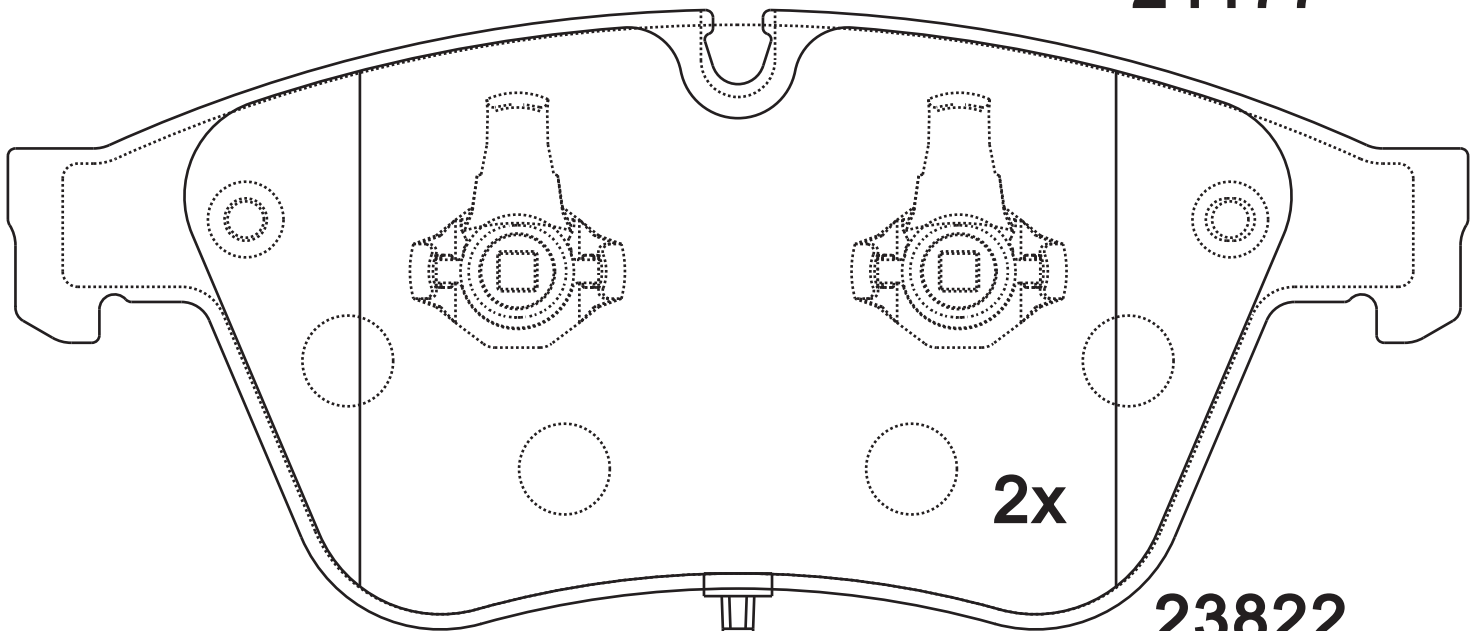
2007-2009

2004-2006

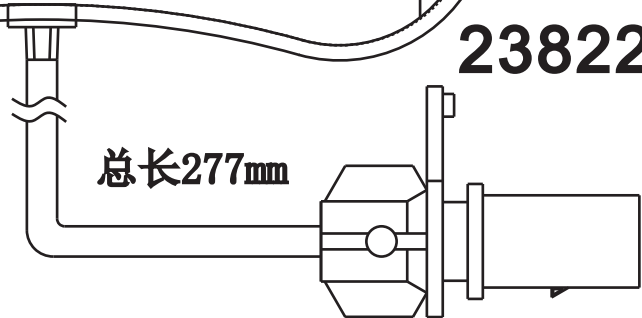
SR0782.03	Dimension (mm)	Thickness (mm)		NOTE
	193.1×82 193.1×81.9	20.5		2 identical; 2 identical;



24177



23822



总长277mm

Apply for:

BENTLEY CONTINENTAL Convertible (3W_)
BENTLEY FLYING SPUR (3W_)

2006/06-
2013/03-

SR0783.01

**Dimension
(mm)**

140.7×61.3

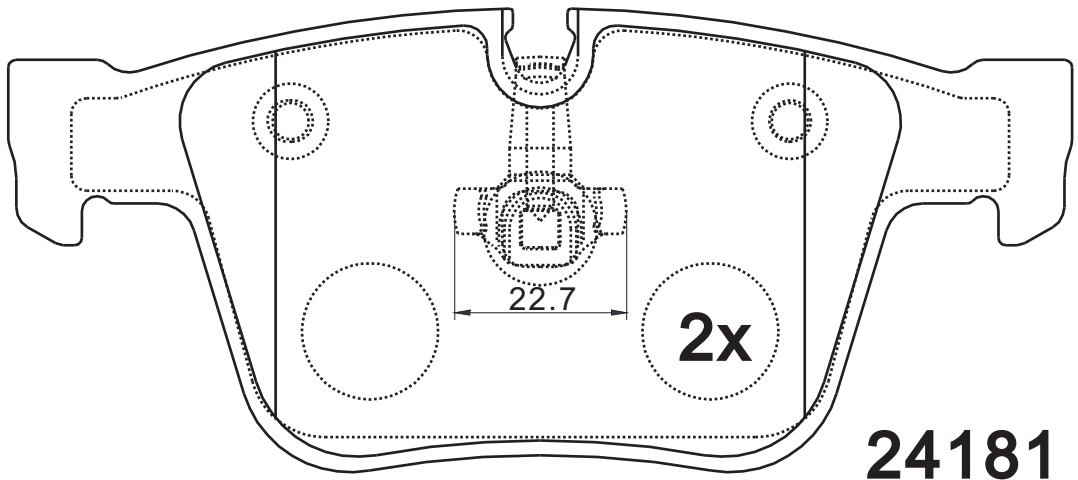
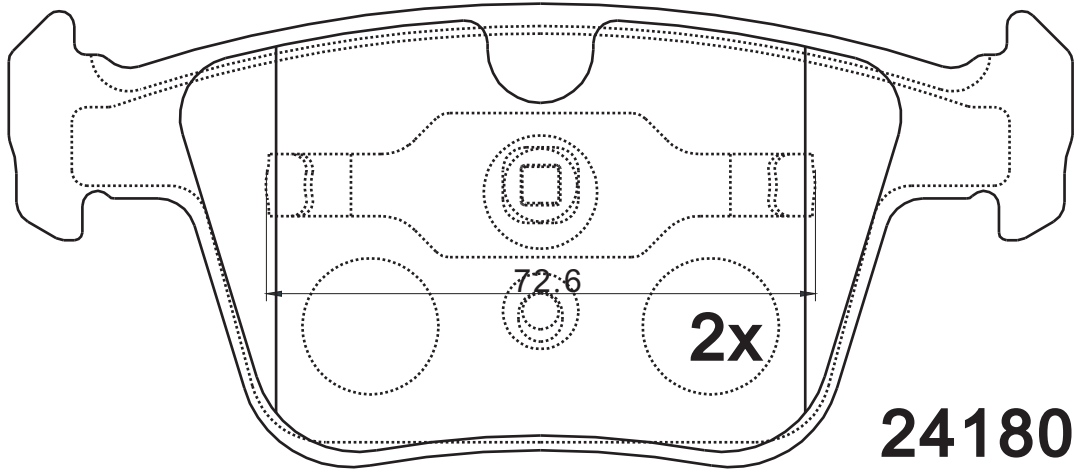
**Thickness
(mm)**

16.9



NOTE

2 identical;2 identical;



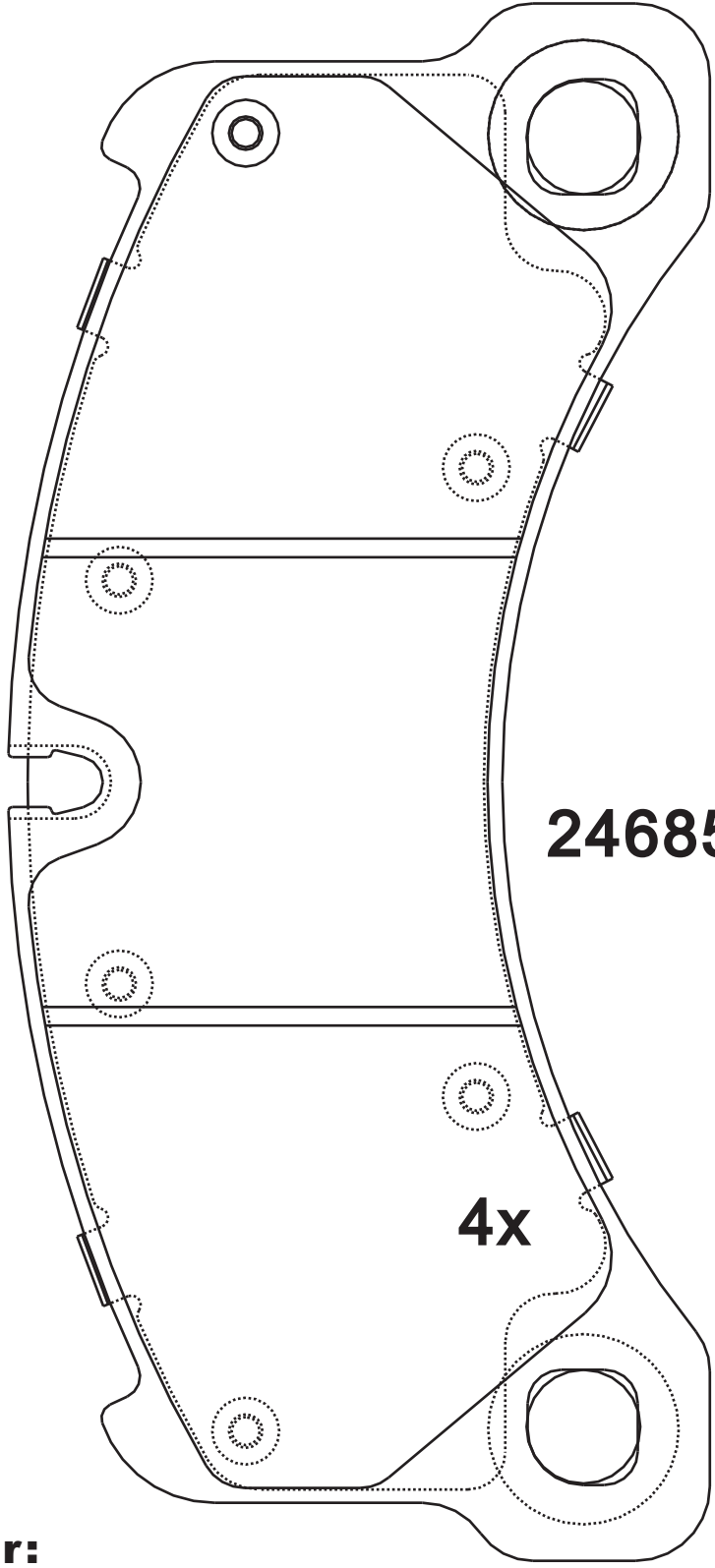
Apply for:

Mercedes-BENZ CL63 AMG	2008-2014
Mercedes-BENZ CL65 AMG	2008-2014
Mercedes-BENZ ML63 AMG	2007-2011
Mercedes-BENZ R63 AMG	2007
Mercedes-BENZ S63 AMG	2008-2014
Mercedes-BENZ S65 AMG	2007-2013

SR0784.01

Dimension (mm)	Thickness (mm)	
209.5×94.3	17	

NOTE
4 identical;



24685

4x

Apply for:

Porsche Cayenne
Porsche Cayenne Turbo

2011-2013
2011-

SR0784.02

**Dimension
(mm)**

209.5×94.3

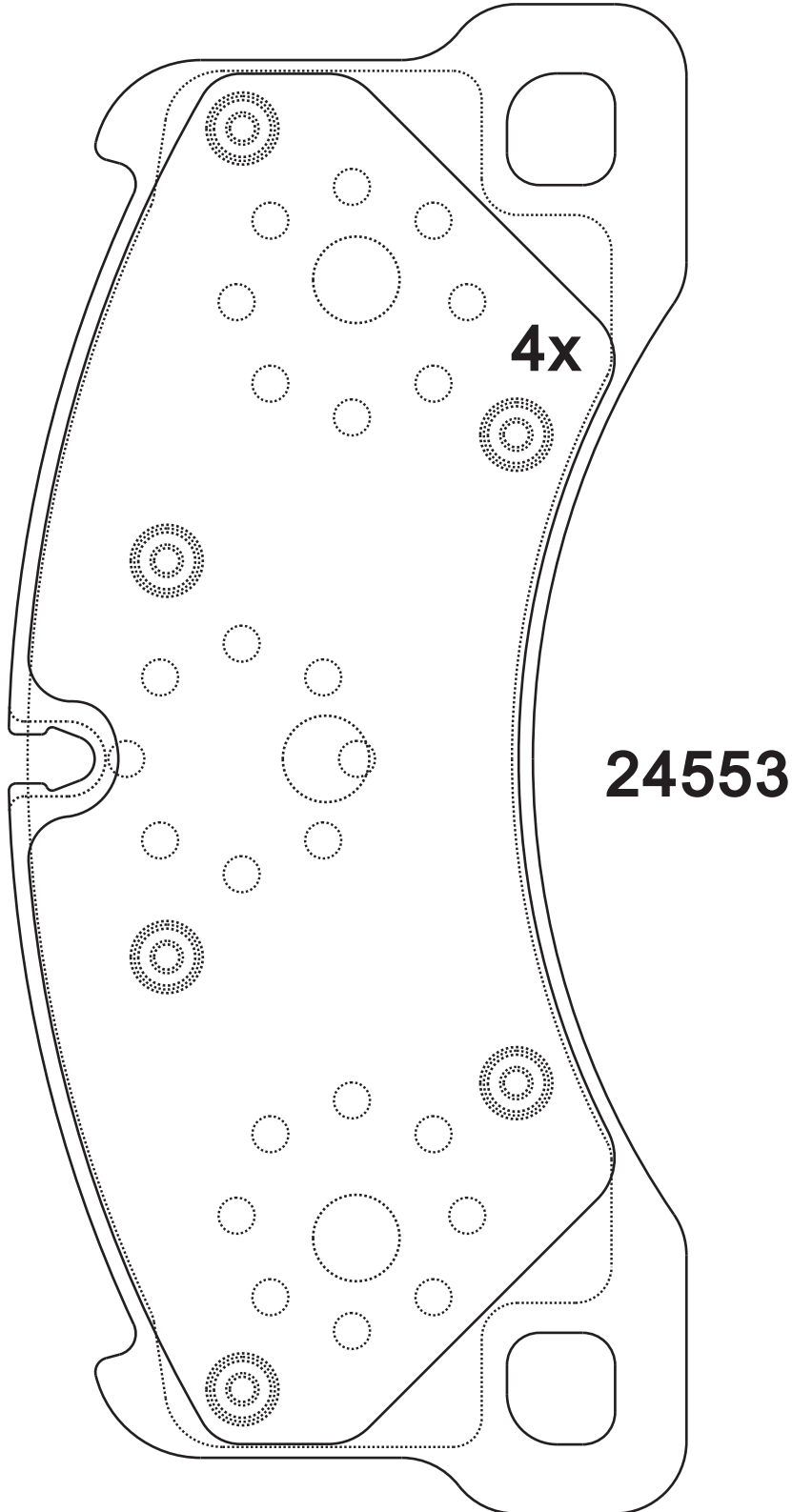
**Thickness
(mm)**

16.1



NOTE

4 identical;



Apply for:

Porsche Cayenne
Porsche Cayenne Turbo

2011-
2008-

SR0785.01

**Dimension
(mm)**

109.7×75.9

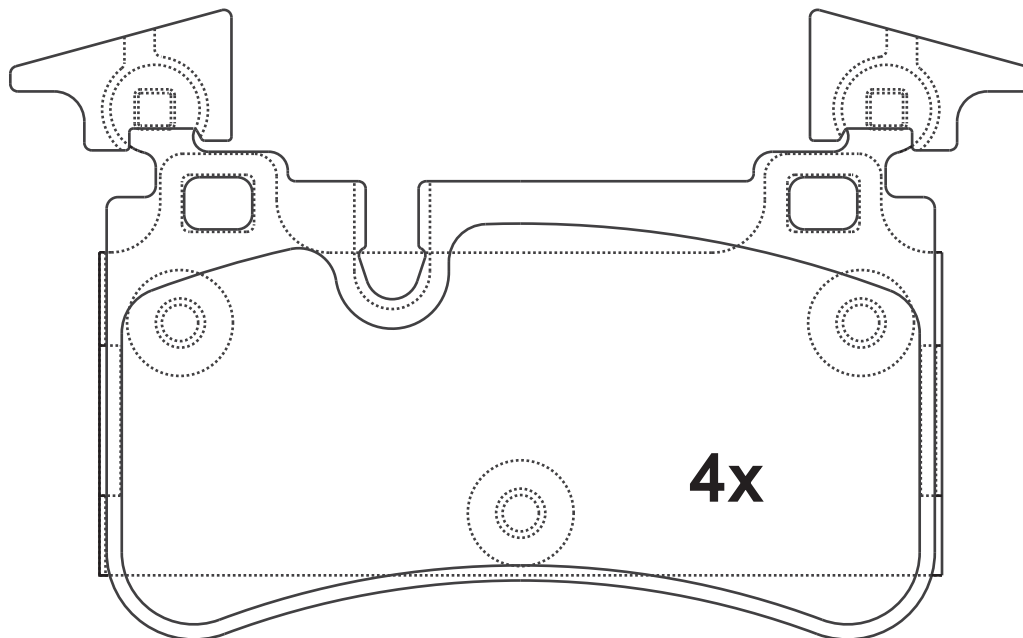
**Thickness
(mm)**

15



NOTE

4 identical;



24473

Apply for:

Mercedes Benz C-Class (W204)
Mercedes Benz C-Class Coupe (C204)

2007/01-2014/01
2011/01-

SR0786.01

**Dimension
(mm)**

**Thickness
(mm)**

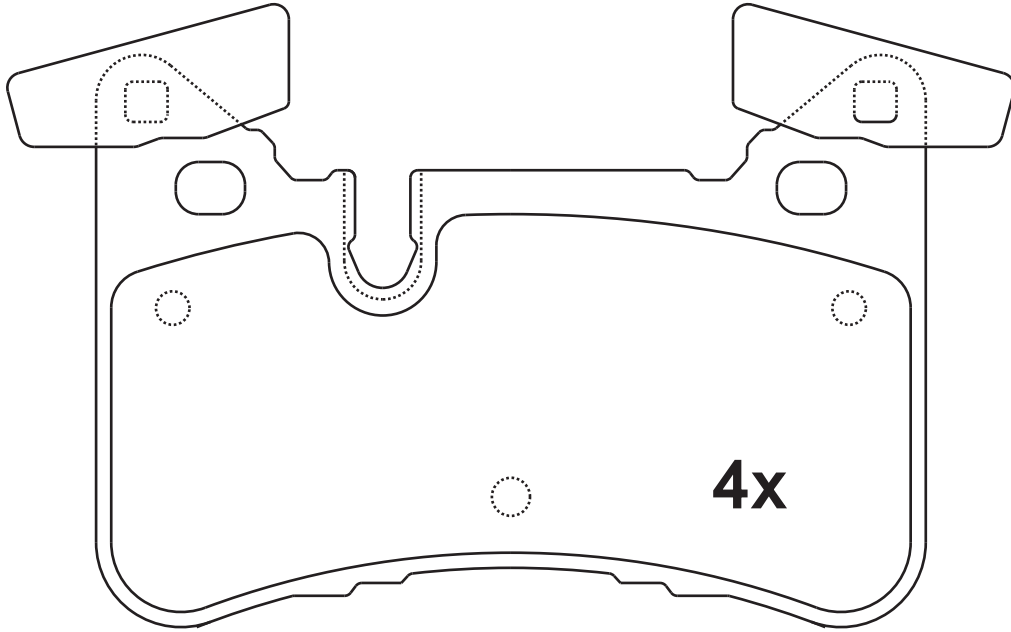


NOTE

4 identical;

110×76

14.5



24733

Apply for:

Mercedes-Benz C63 AMG	2014
Mercedes-Benz C63 AMG Black Series	2012
Mercedes-Benz CLS63 AMG	2012-2014
Mercedes-Benz CLS63 AMG S	2014
Mercedes-Benz E63 AMG	2010-2013

SR0787.01

**Dimension
(mm)**

**Thickness
(mm)**

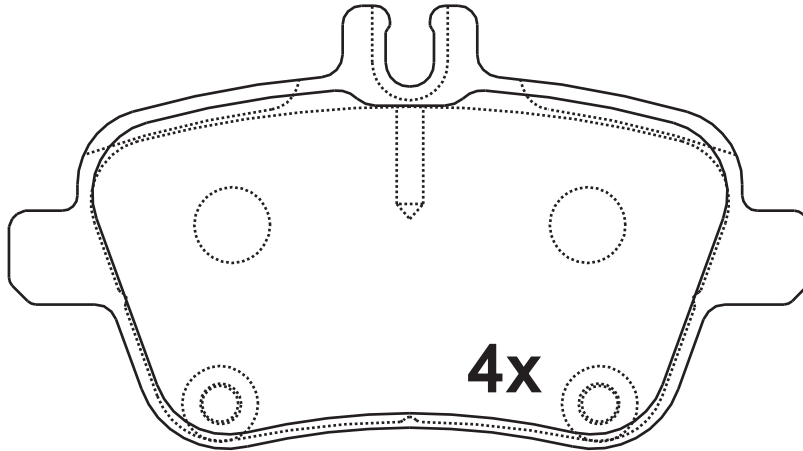


NOTE

4 identical;

106×58.6

18.5



24848

Apply for:

Mercedes-Benz CLA250	2014
Mercedes-Benz CLA250 4Matic	2014
Mercedes-Benz SLK250	2012-2014
Mercedes-Benz SLK250 Sport	2012-2014
Mercedes-Benz SLK350	2012-2014

SR0787

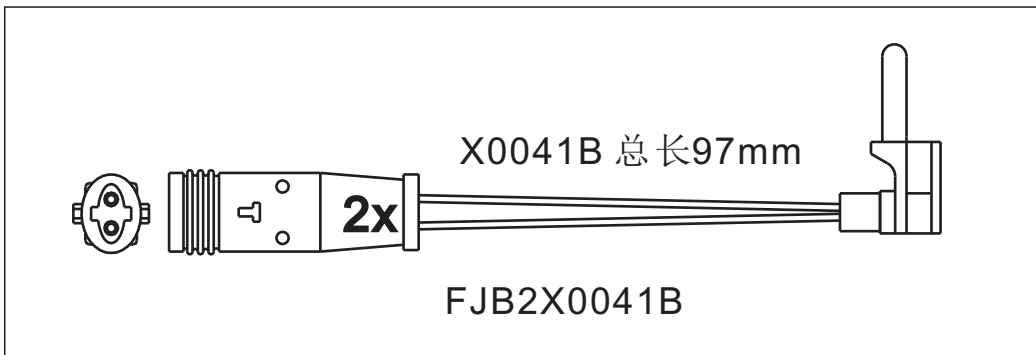
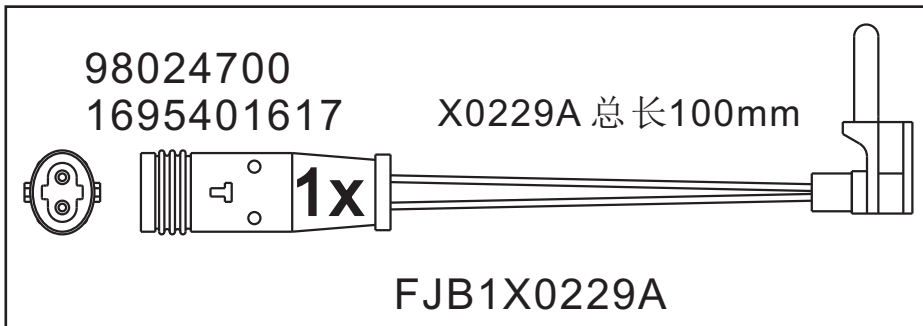
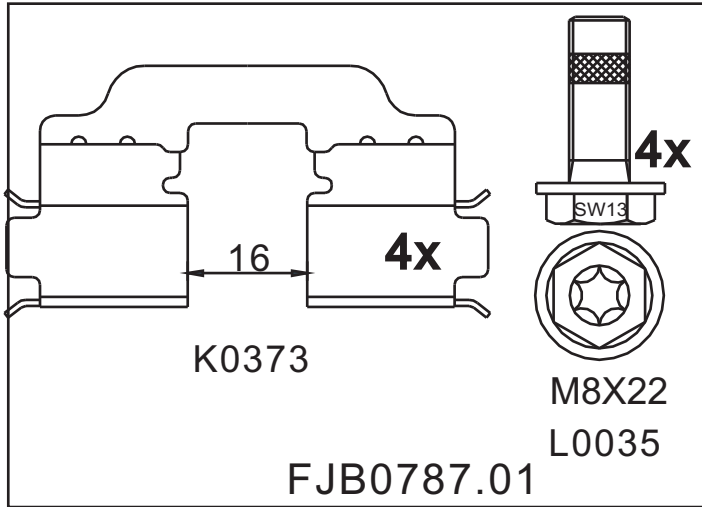
**Dimension
(mm)**

**Thickness
(mm)**



NOTE

**附件包
Accessory bag**



SR0788.01

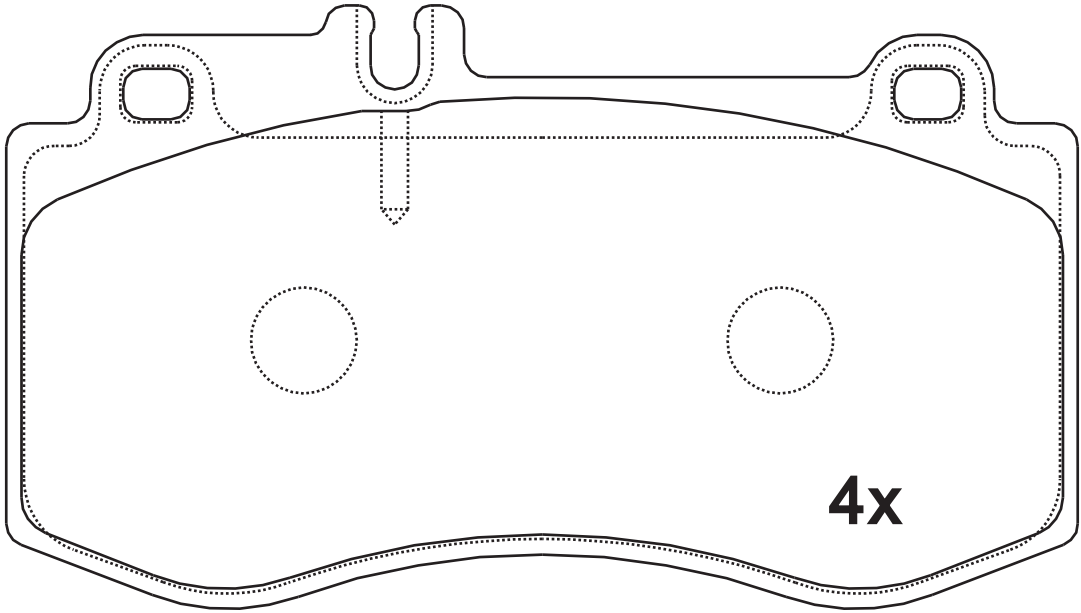
**Dimension
(mm)**

**Thickness
(mm)**



NOTE

4 identical;



24976

Apply for:

Mercedes-BENZ E550

2010-2011

Mercedes-BENZ E550 4Matic

2010-2011

SR0789.01

**Dimension
(mm)**

153.4×92

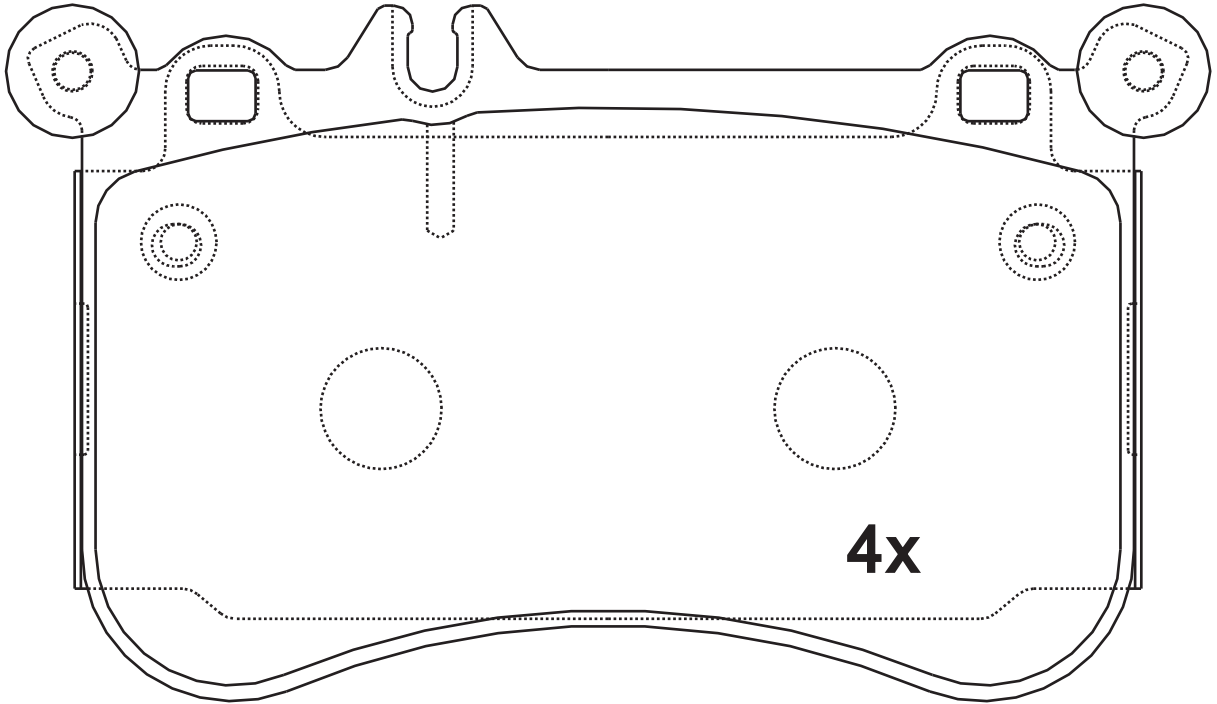
**Thickness
(mm)**

17.8



NOTE

4 identical;



4x

25219

Apply for:

- | | |
|---------------------------|-----------|
| Mercedes-Benz CLS550 | 2012-2014 |
| Mercedes-Benz E550 4Matic | 2012-2014 |
| Mercedes-Benz SLK55 AMG | 2012-2014 |

SR0789.02

**Dimension
(mm)**

**Thickness
(mm)**



NOTE

2 identical;2 identical;

153.4×92

17.8

154 x 92.2 x 16.7



Apply for:

Mercedes Benz B-Class (W246, W242)
Mercedes Benz Cla Coupe (C117)

2011/10-
2013/01-

SR0790.01

**Dimension
(mm)**

192.4×72

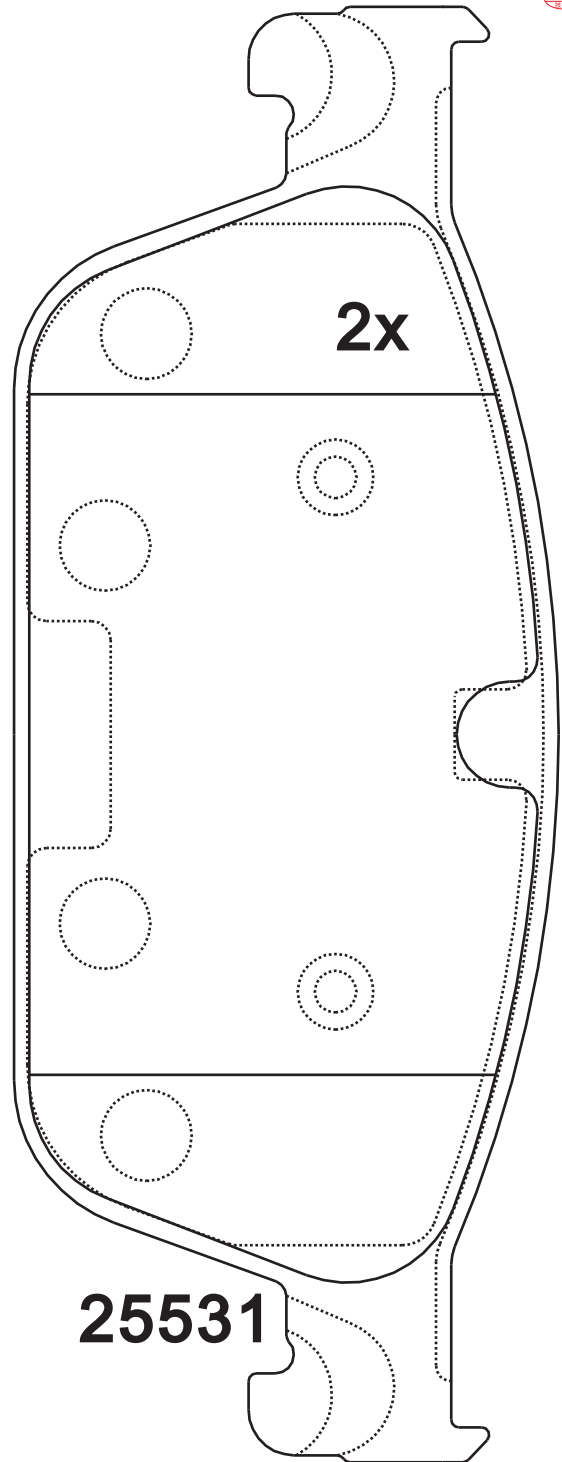
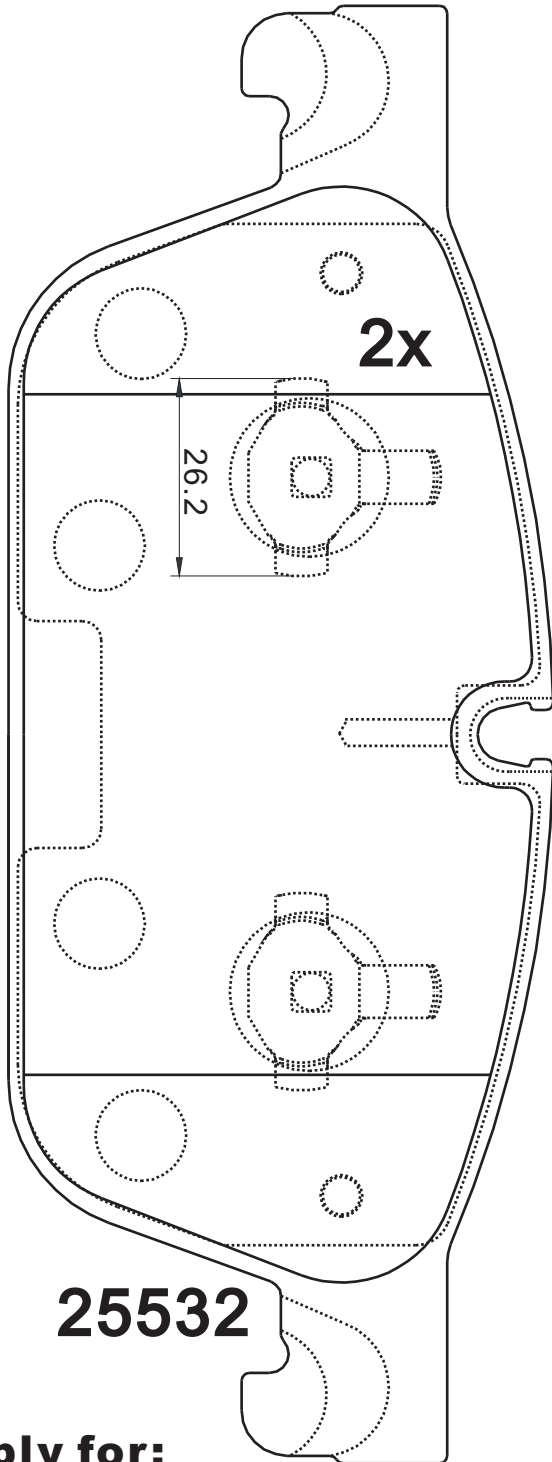
**Thickness
(mm)**

19.3



NOTE

2 identical;2 identical;



Apply for:

Mercedes GL-CLASS (X166)
Mercedes M-CLASS (W166)

2012/07-
2011/06-

SR0790

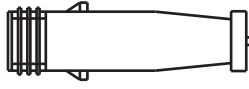
**Dimension
(mm)**

**Thickness
(mm)**

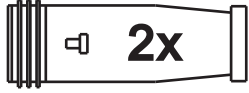


NOTE

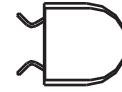
**附件包
Accessory bag**



X0116A 总长120mm



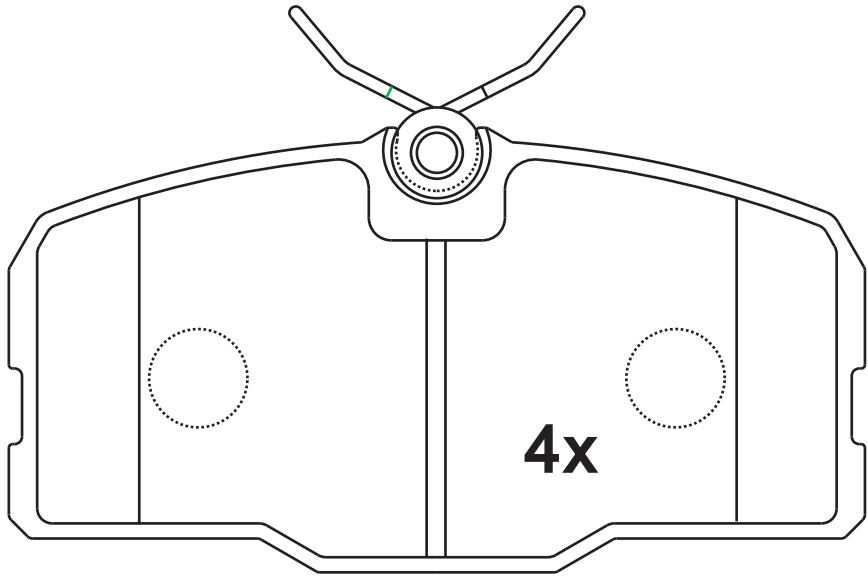
FJB2X0116A



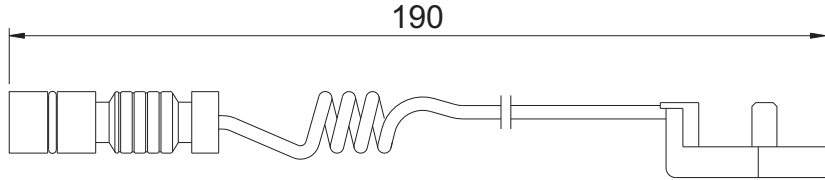
SR0791.01

Dimension (mm)	Thickness (mm)	
114.5×59.4	18.5	

NOTE
4 identical;



20751



1x

Apply for:

Mercedes-BENZ 500SEC

1984

SR0791

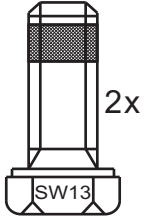
**Dimension
(mm)**

**Thickness
(mm)**



NOTE

**附件包
Accessory bag**

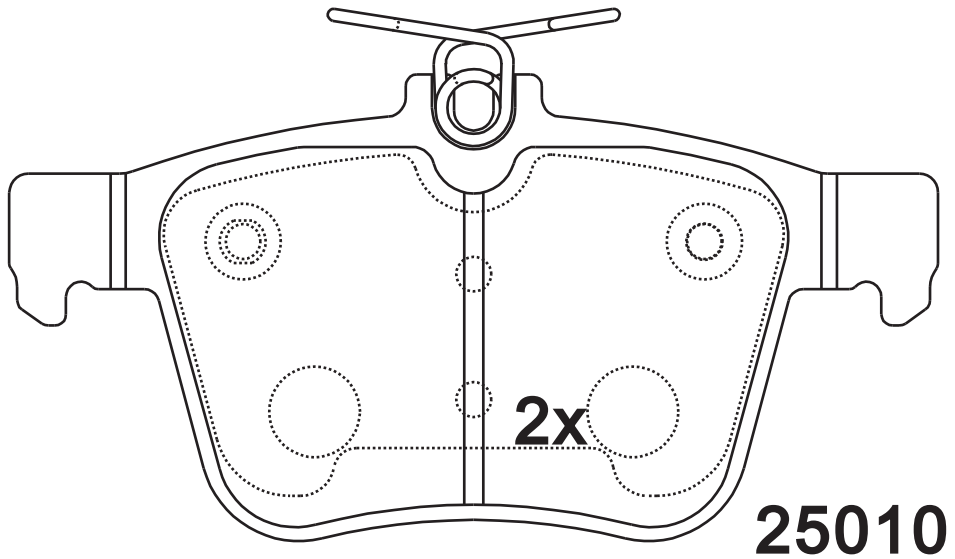
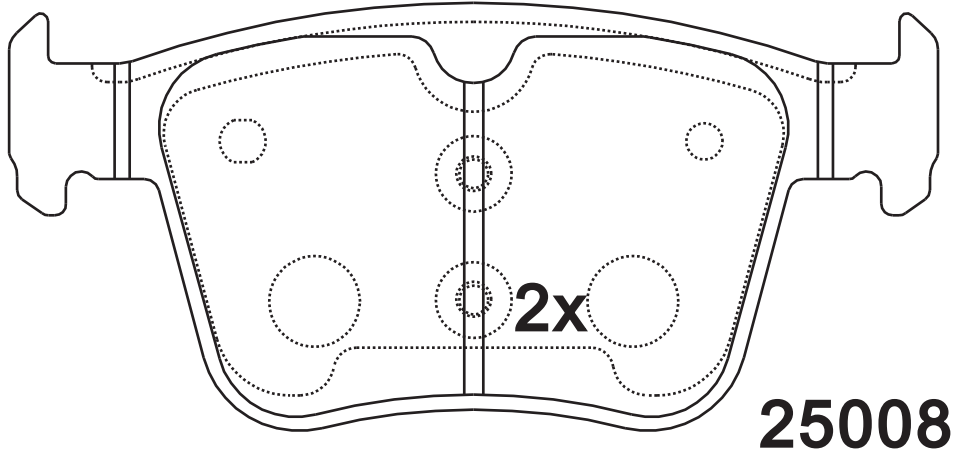


M8×21
L0010
FJB0003.01

SR0792.01

Dimension (mm)	Thickness (mm)	
122.8×56.6 123×61.7	16.3	

NOTE
2 identical;2 identical;



Apply for:

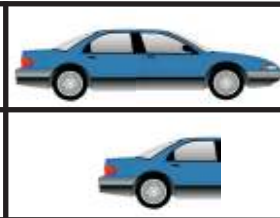
Audi A3 Cabriolet

2015-

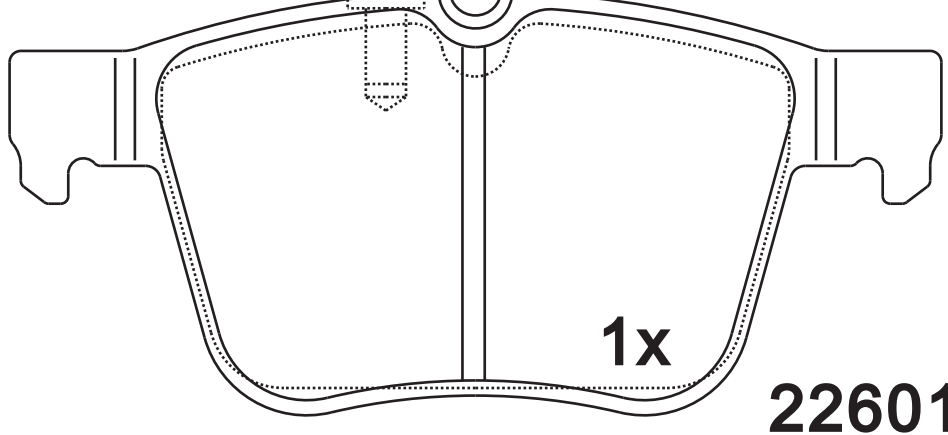
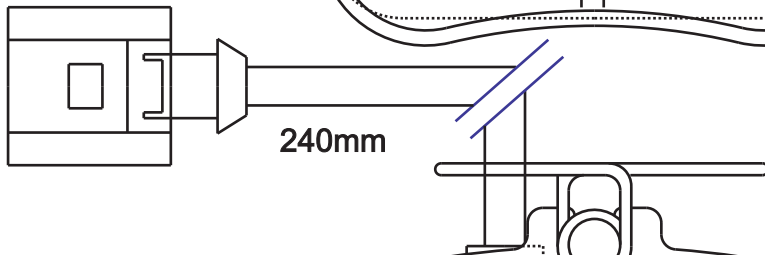
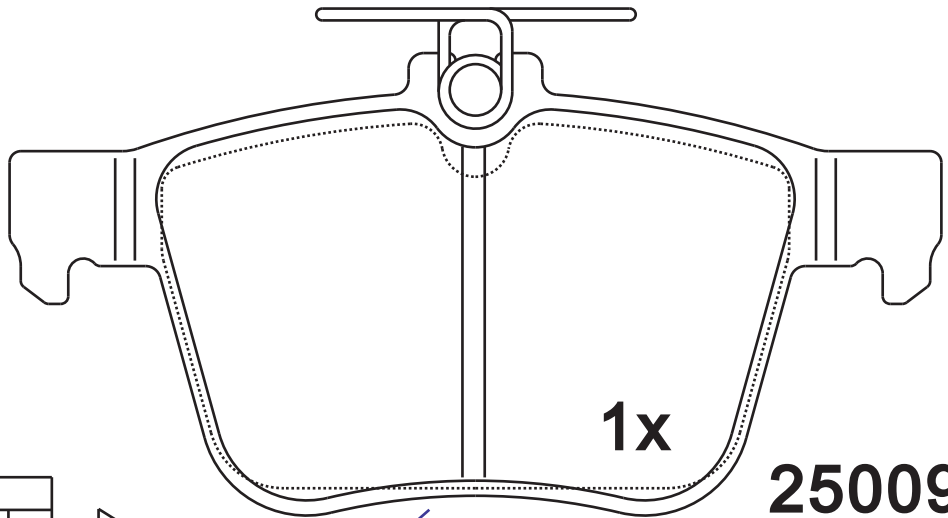
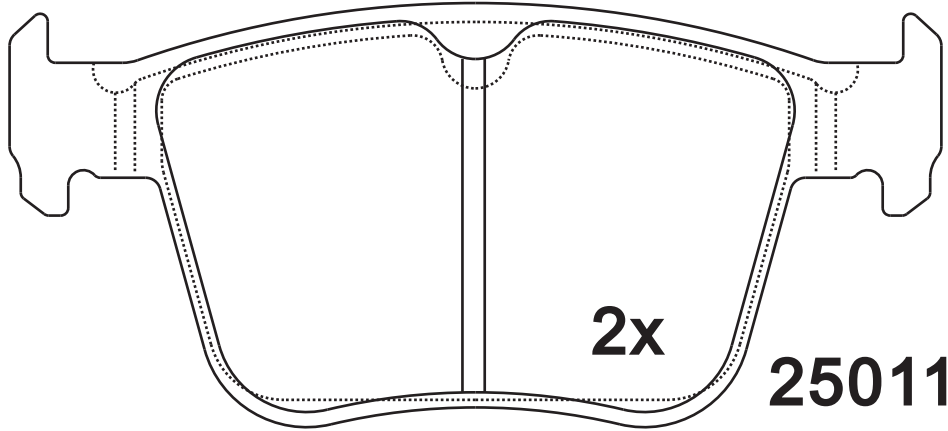
SR0792.02

Dimension (mm)
123×61.2/56.2

Thickness (mm)
16.3



NOTE
2 identical; 2 identical with spring, 1 with warn indicator.



Apply for:
Audi A3 Cabriolet

2015-

SR0793.01

**Dimension
(mm)**

193×74
193×70.7

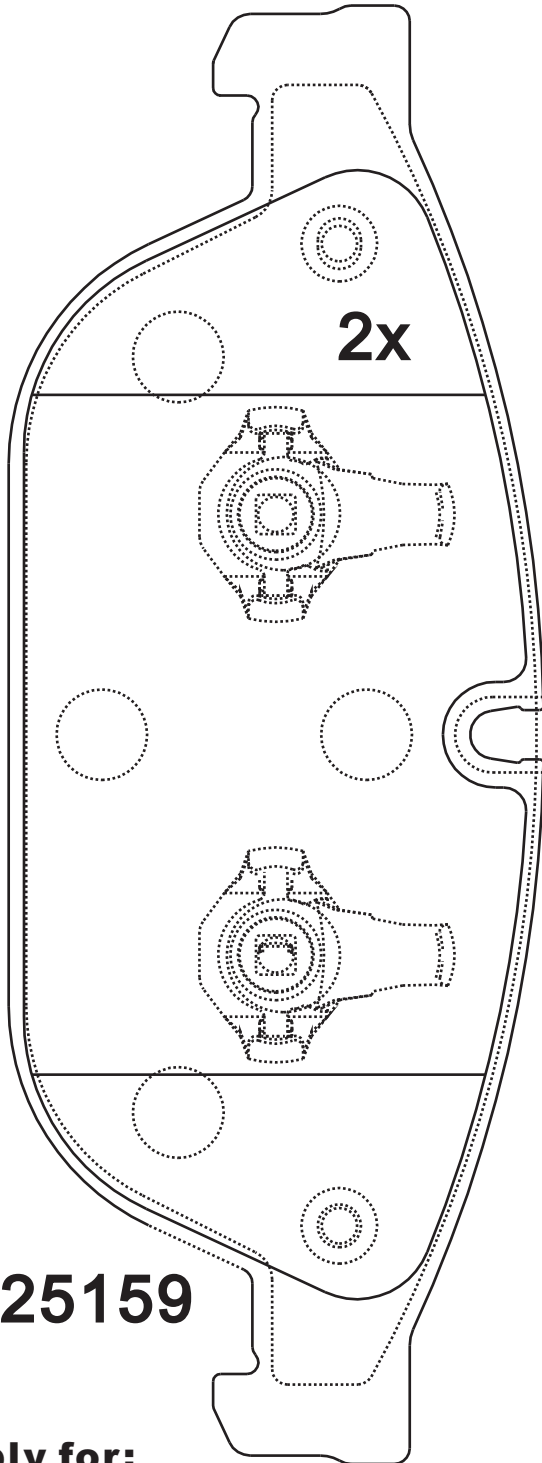
**Thickness
(mm)**

20.3

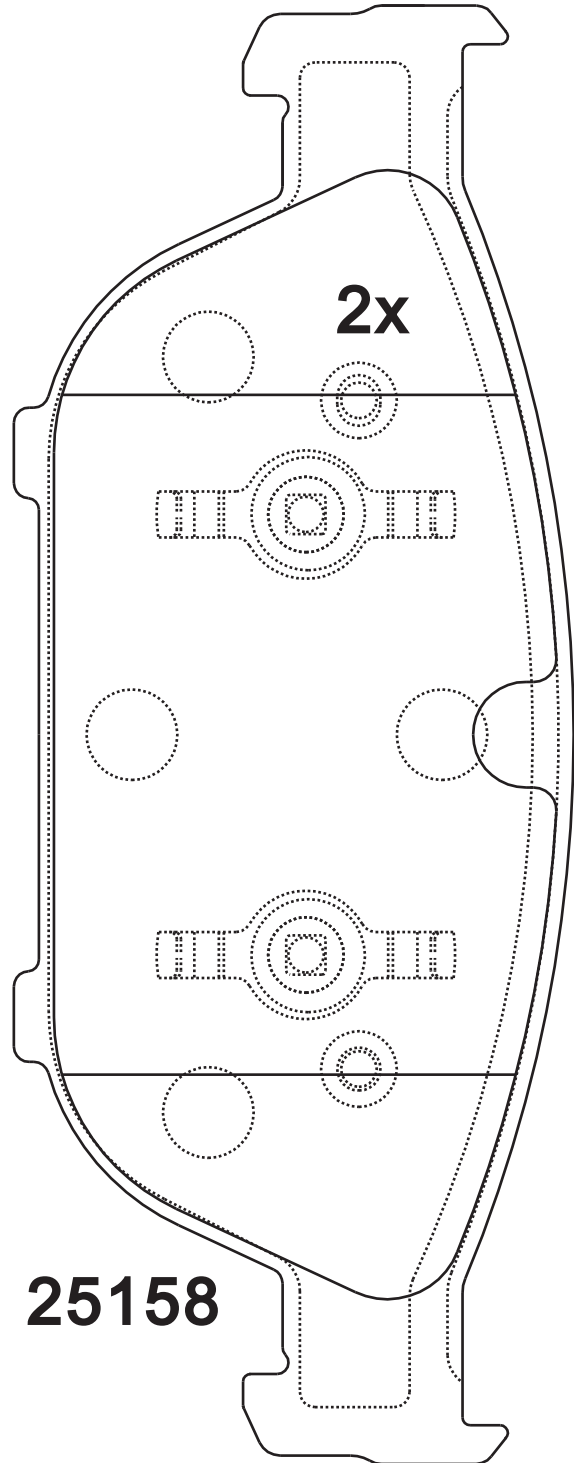


NOTE

2 identical; 2 identical;



25159



25158

Apply for:

Audi A5 Quattro Premium

Audi A6 Quattro V6

Audi A7 Quattro

Audi A8 Quattro

Audi A8 Quattro

2013

2012-2014

2012-2014

2011

2014

SR0793

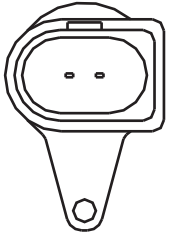
**Dimension
(mm)**

**Thickness
(mm)**



NOTE

**附件包
Accessory bag**



FJB2X0324A

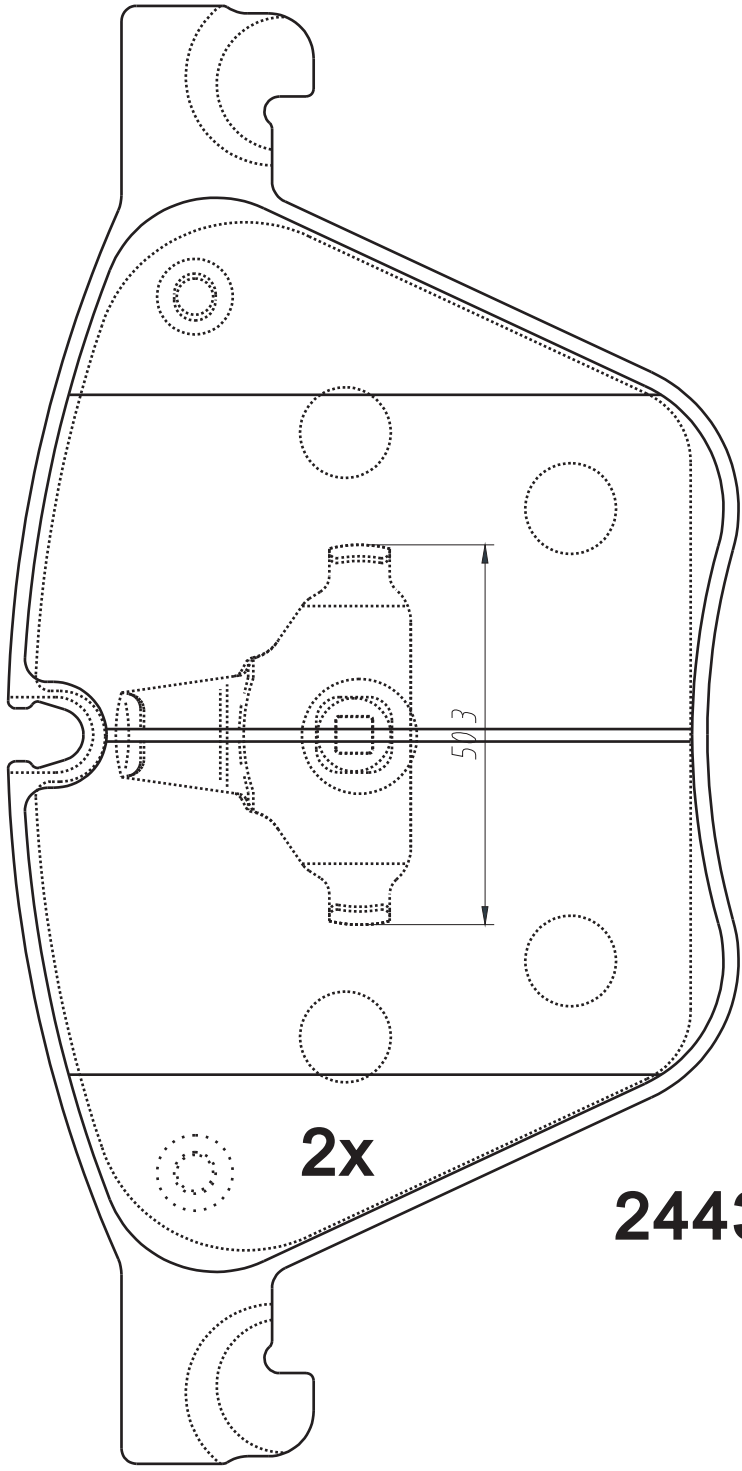


FJB2X0323A

SR0794.01

Dimension (mm)	Thickness (mm)	
192.2×96.6 193×96.6	20.2/19.7	

NOTE
2 identical;2 identical;



Next Page.....

SR0794.01

**Dimension
(mm)**

**Thickness
(mm)**

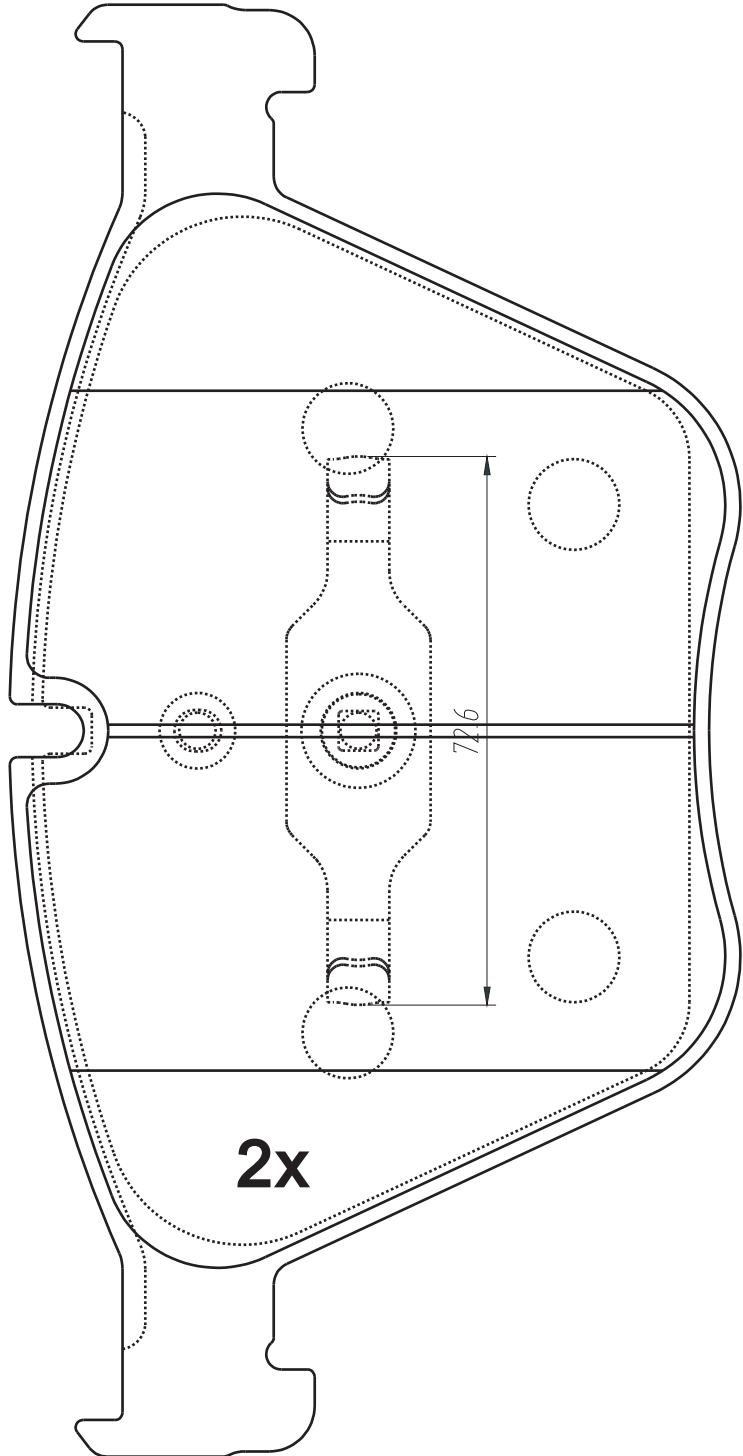


NOTE

2 identical; 2 identical;

192.2×96.6
193×96.6

20.2/19.7



24437

Apply for:

- | | |
|-----------------------|-----------|
| BMW 760Li | 2010-2015 |
| BMW Alpina B7 | 2011-2015 |
| BMW Alpina B7L | 2011-2015 |
| BMW Alpina B7L xDrive | 2011-2015 |
| BMW Alpina B7 xDrive | 2011-2015 |
| BMW X6 Activehybrid | 2010-2011 |

SR0794

**Dimension
(mm)**

**Thickness
(mm)**



NOTE

附件包

Accessory bag

1x

98042400

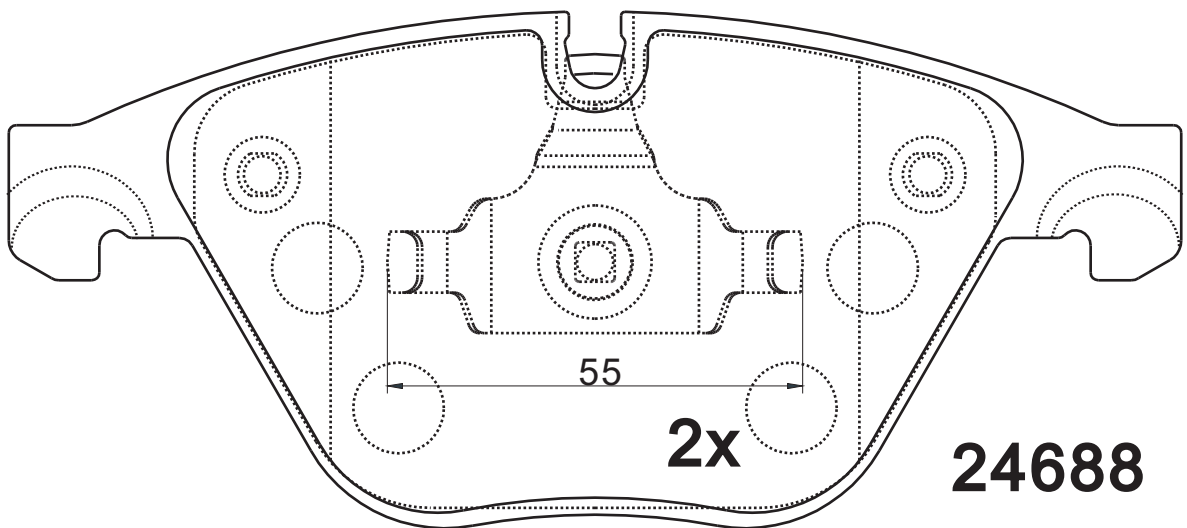
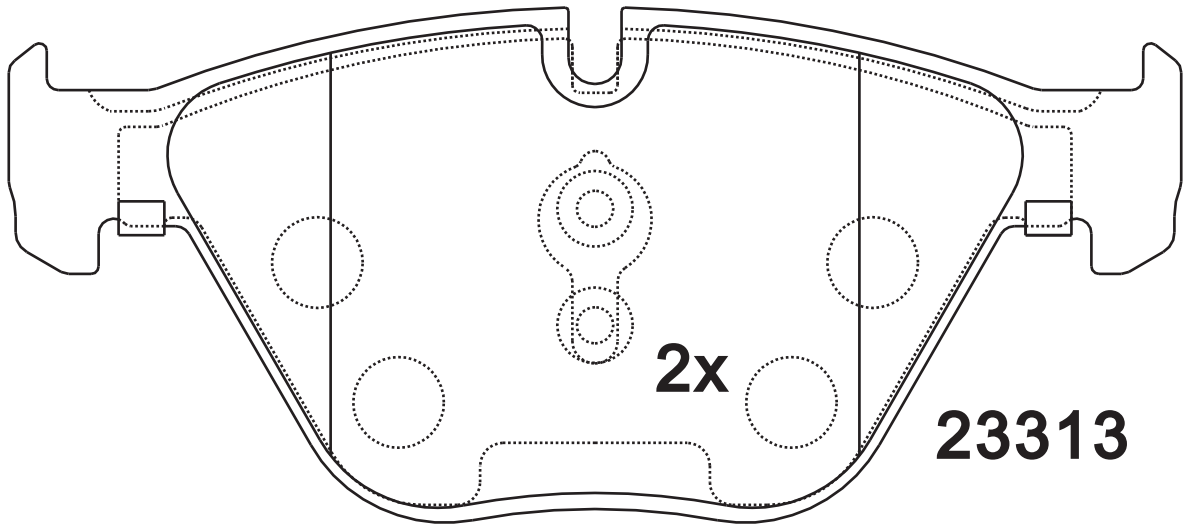
X0107A总长1087mm

FJB1X0107A

SR0795.01

Dimension (mm)	Thickness (mm)	
155.2×68.1 155.2×68.3	19	

NOTE
2 identical;2 identical;



Apply for:

- | | |
|-----------------------------|-----------|
| BMW 528i Performance Brakes | 2014-2015 |
| BMW 535d | 2014 |
| BMW 535d xDrive | 2014 |
| BMW 535i | 2011-2015 |
| BMW 535i xDrive | 2011 |
| BMW 640i | 2012-2015 |
| BMW 640i Gran Coupe | 2013-2015 |
| BMW 640i xDrive | 2014-2015 |
| BMW 640i xDrive Gran Coupe | 2014-2015 |
| BMW ActiveHybrid 5 | 2012-2015 |

SR0795

**Dimension
(mm)**

**Thickness
(mm)**



NOTE

附件包

Accessory bag

1x

98042400



X0107A总长1087mm

FJB1X0107A

2x

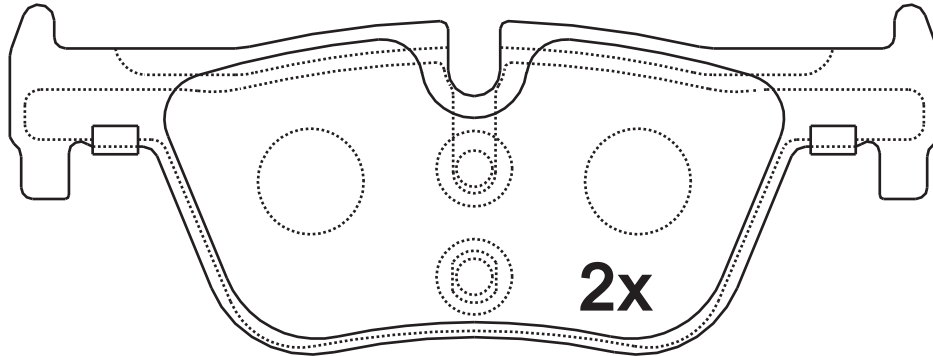
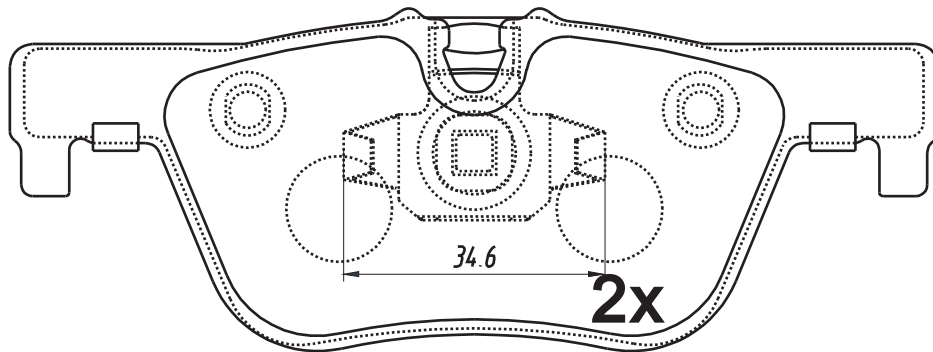
X0107A总长1087mm



FJB2X0107A

SR0796.01**Dimension
(mm)**122.9×46.3
122.9×45.3**Thickness
(mm)**

17.5

**NOTE****2 identical;2 identical;****25307****25308****Apply for:**

BMW 228i	2014-2015
BMW 320i xDrive	2013-2015
BMW 328d	2014
BMW 328d xDrive	2014
BMW 328i	2014-2015
BMW 328i F30 Chassis	2012
BMW 328i GT xDrive	2014
BMW 328i L4	2013
BMW 328i xDrive	2014
BMW 328i xDrive L4	2013
BMW 428i	2014-2015
BMW 428i Gran Coupe	2015
BMW 428i xDrive Gran Coupe	2015

SR0796

**Dimension
(mm)**

**Thickness
(mm)**



NOTE

附件包

Accessory bag

2x



34356792292

X0100A总长1045mm

FJB2X0100A

SR0797.01

**Dimension
(mm)**

148.2×69.6

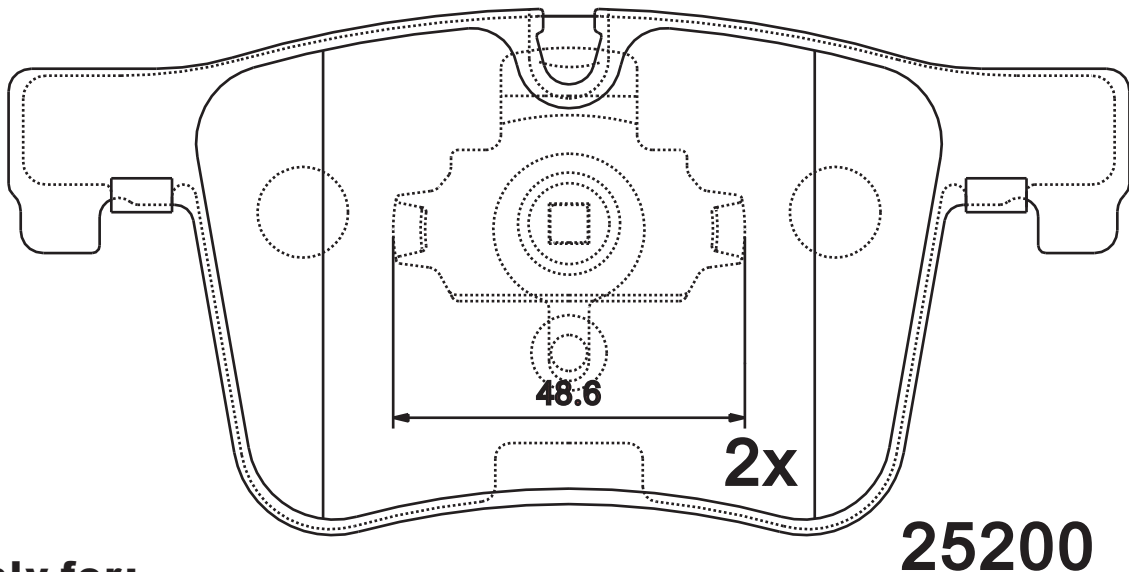
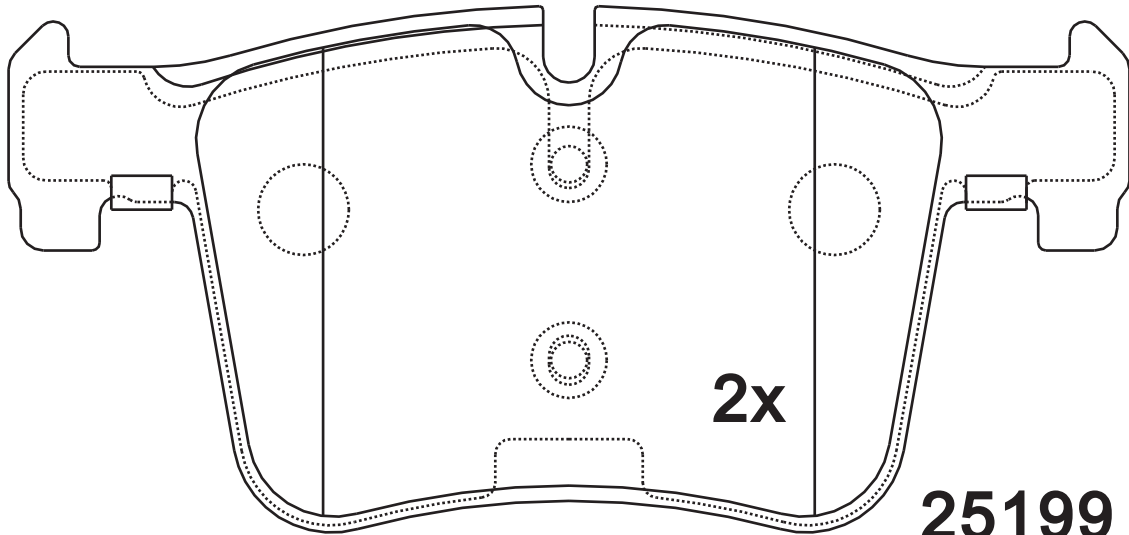
**Thickness
(mm)**

19.6



NOTE

2 identical; 2 identical;



Apply for:

- | | |
|------------------------------------|-----------|
| BMW 228i | 2014-2015 |
| BMW 320i xDrive | 2013-2015 |
| BMW 328d xDrive | 2014 |
| BMW 328i | 2014-2015 |
| BMW 328i F30 Chassis | 2012 |
| BMW 328i GT xDrive | 2014 |
| BMW 328i L4 | 2013 |
| BMW 328i xDrive | 2014 |
| BMW 428i Gran Coupe M Sport | 2015 |
| BMW 428i xDrive Gran Coupe | 2015 |
| BMW 428i xDrive Gran Coupe M Sport | 2015 |
| BMW X3 | 2011-2015 |
| BMW X4 | 2015 |

SR0797

**Dimension
(mm)**

**Thickness
(mm)**



NOTE

附件包

Accessory bag

1x

**98043500
34356790303**

X0108A总长954mm

FJB1X0108A

2x

34356790303

X0108A总长954mm

FJB2X0108A

SR0798.01

**Dimension
(mm)**

155.6×57.8
156.7×60.1

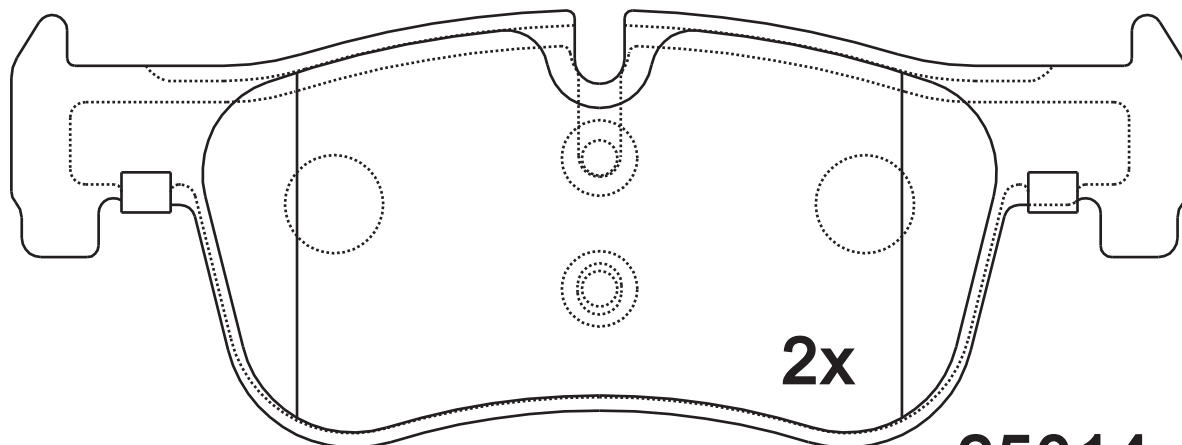
**Thickness
(mm)**

18.3

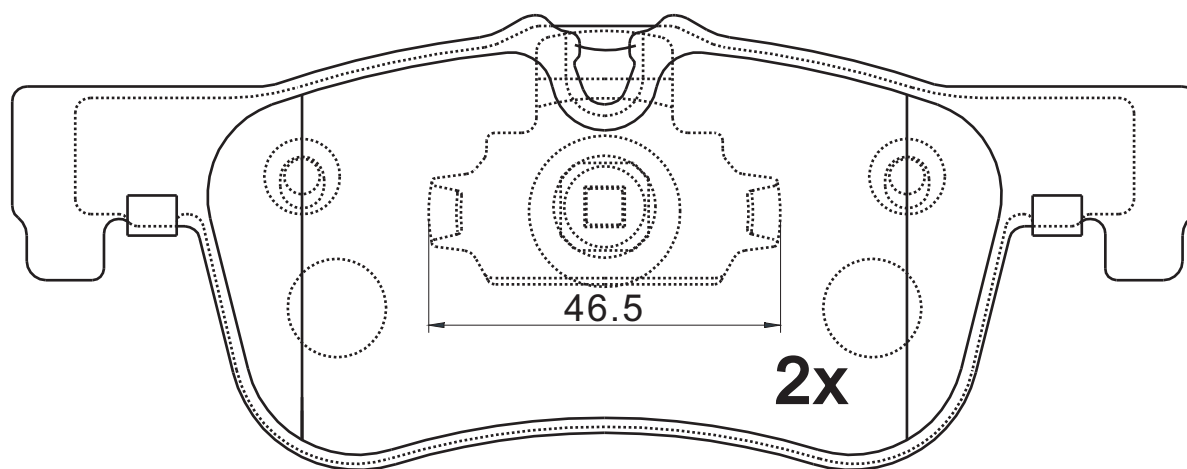


NOTE

2 identical;2 identical;



25014



25015

Apply for:

- | | |
|-------------------------|----------|
| BMW 1 (F20) | 2010/11- |
| BMW 1 (F21) | 2011/12- |
| BMW 2 Convertible (F23) | 2014/11- |
| BMW 2 Coupe (F22, F87) | 2013/10- |

SR0798

**Dimension
(mm)**

**Thickness
(mm)**



NOTE

附件包
Accessory bag



2x



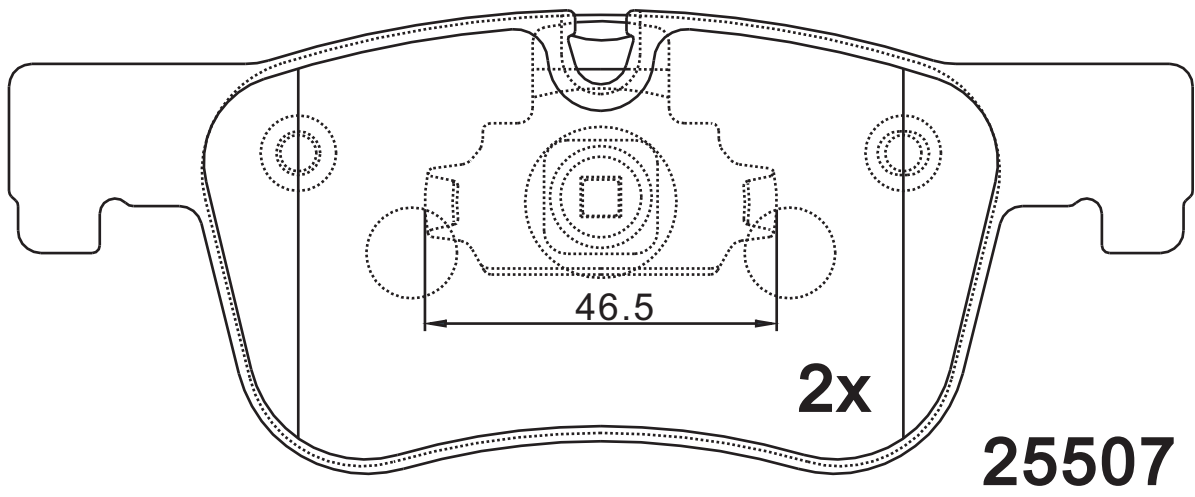
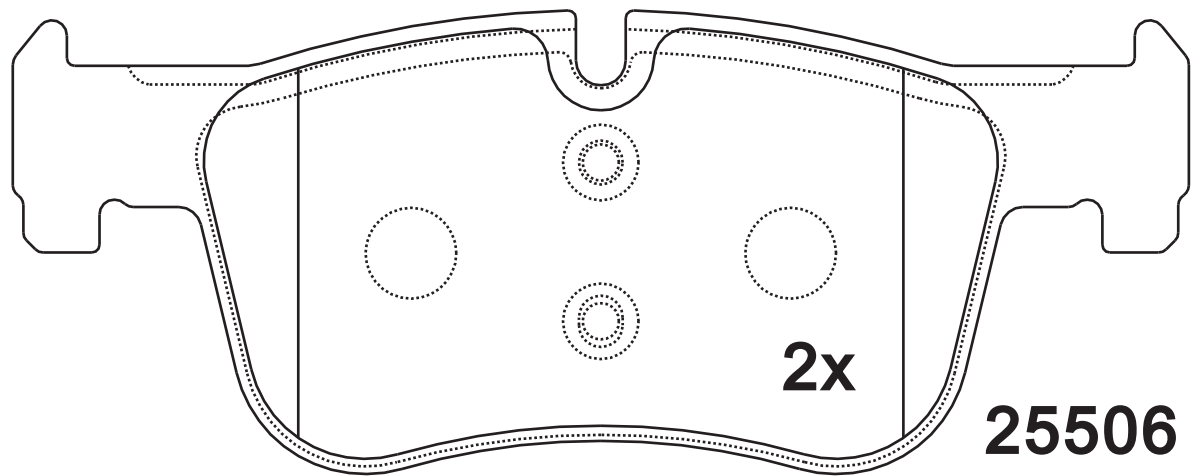
X0197A总长675mm
34356792289

FJB2X0197A

SR0799.01

Dimension (mm)	Thickness (mm)	
155.5×61.3 156.5×61.3	18.2	

NOTE
2 identical;2 identical;



Apply for:

- | | |
|------------------------------|----------|
| BMW 1 (F20) | 2010/11- |
| BMW 1 (F21) | 2011/12- |
| BMW 3 (F30, F35, F80) | 2011/10- |
| BMW 3 GRAN TURISMO (F34) | 2013/03- |
| BMW 3 Touring (F31) | 2011/10- |
| BMW 4 Convertible (F33, F83) | 2013/10- |
| BMW 4 Coupe (F32, F82) | 2013/07- |
| BMW 4 Gran Coupe (F36) | 2014/03- |

SR0800.01

**Dimension
(mm)**

192.9×78.6

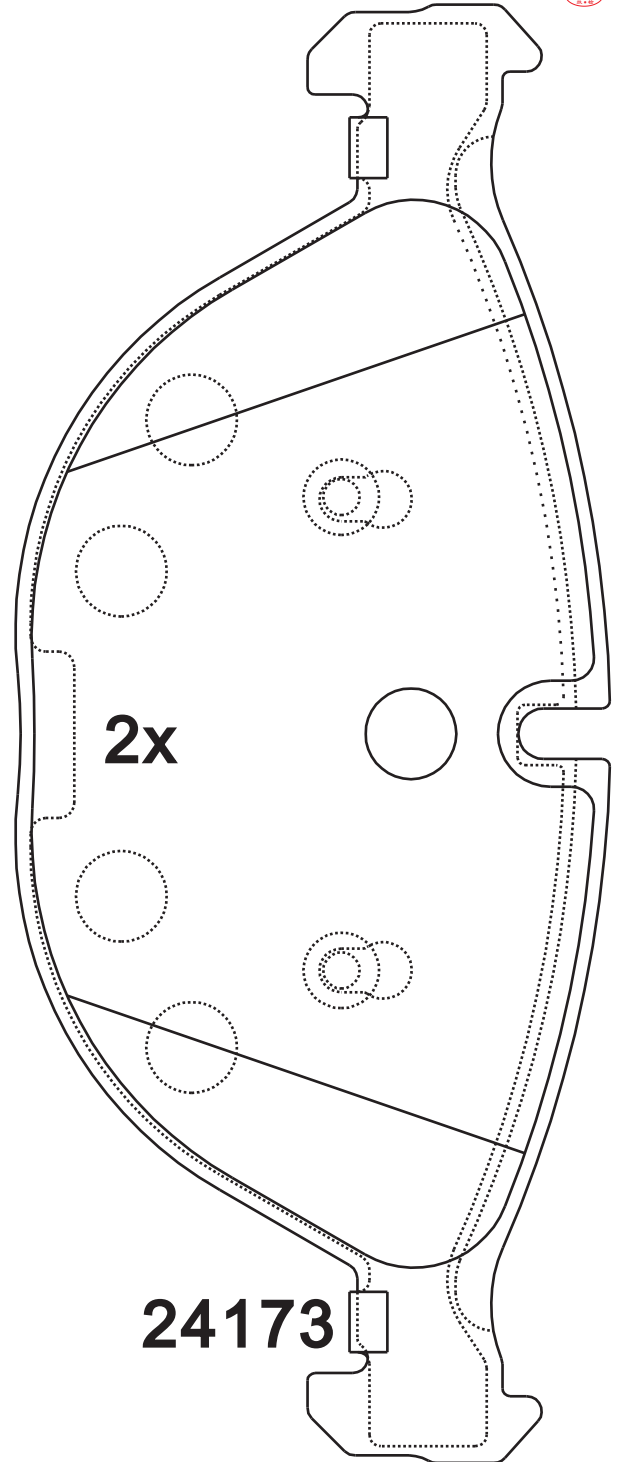
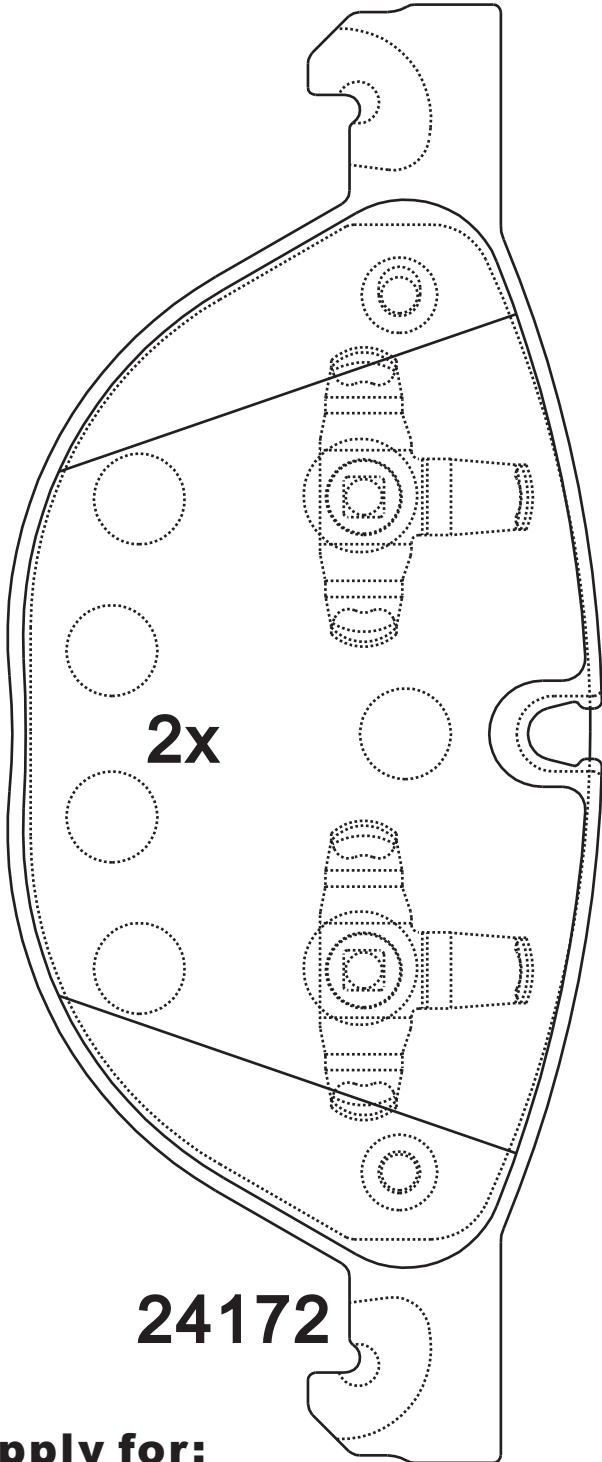
**Thickness
(mm)**

19.5/19



NOTE

2 identical; 2 identical;



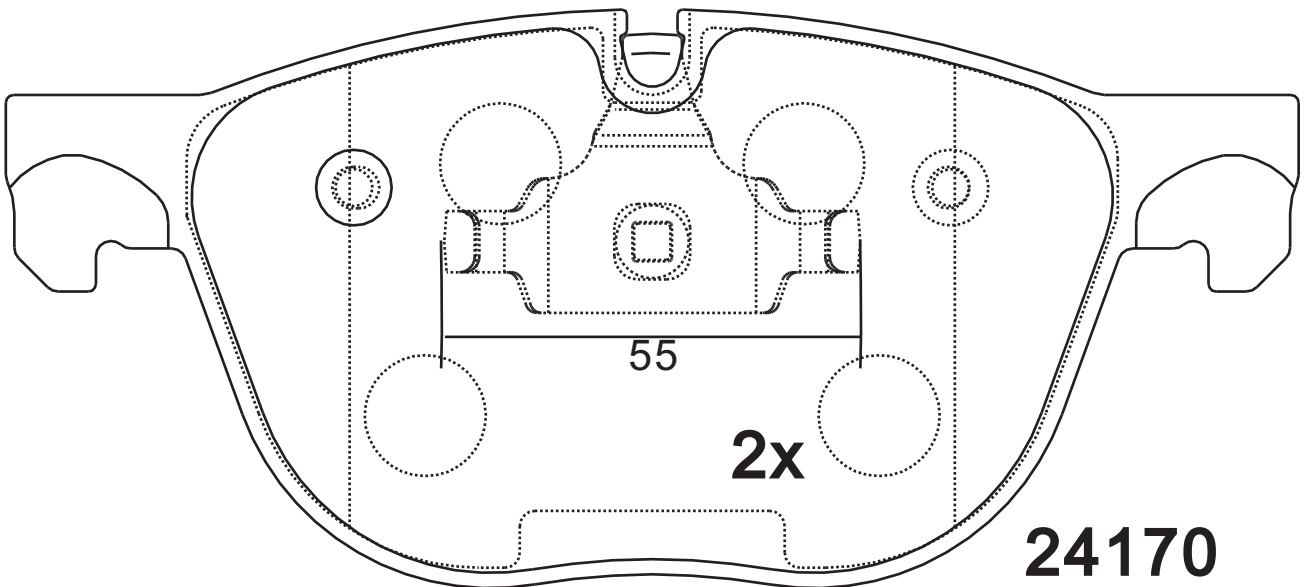
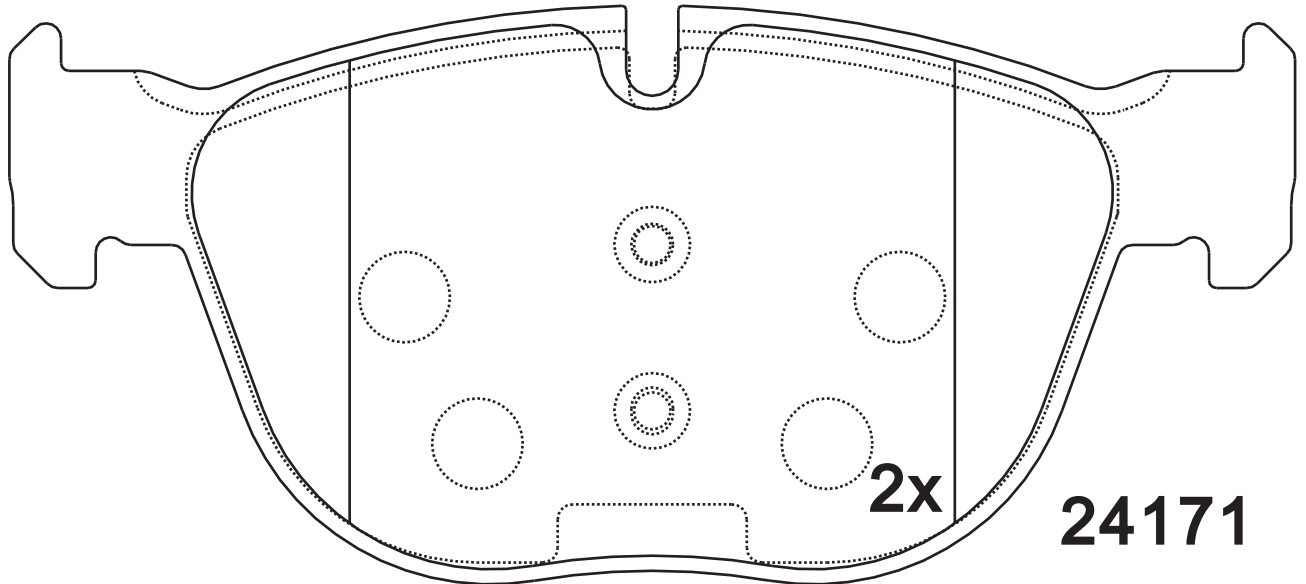
Apply for:

BMW X5 xDrive50i
BMW X6 xDrive50i

2011-2014
2008-2014

SR0801.01**Dimension
(mm)**170×76.5
170.9×76.5**Thickness
(mm)**

20.2

**NOTE****2 identical; 2 identical
with spring.****Apply for:**

BMW X5 3.0Si	2007-2008
BMW X5 4.8I	2007-2008
BMW X5 sDrive35i	2014
BMW X5 xDrive30i	2009-2010
BMW X5 xDrive35d	2009-2014
BMW X5 xDrive35i	2011-2014
BMW X5 xDrive48i	2009-2010
BMW X6 xDrive35i	2008-2014

SR0801

**Dimension
(mm)**

**Thickness
(mm)**



NOTE

附件包

Accessory bag

2x

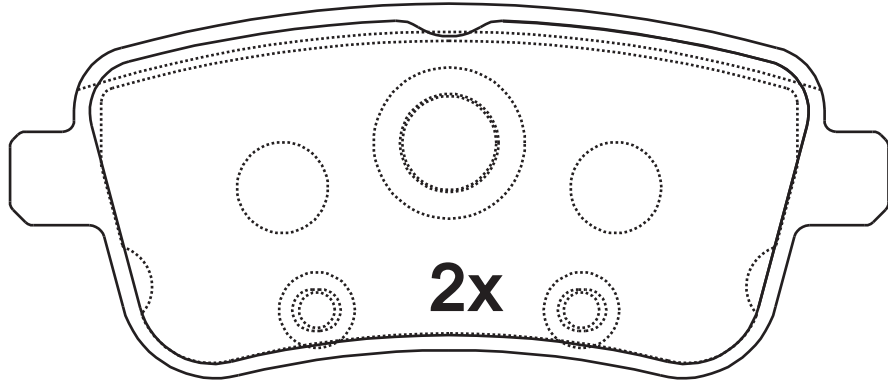
X0113A 总长905mm

FJB2X0113A

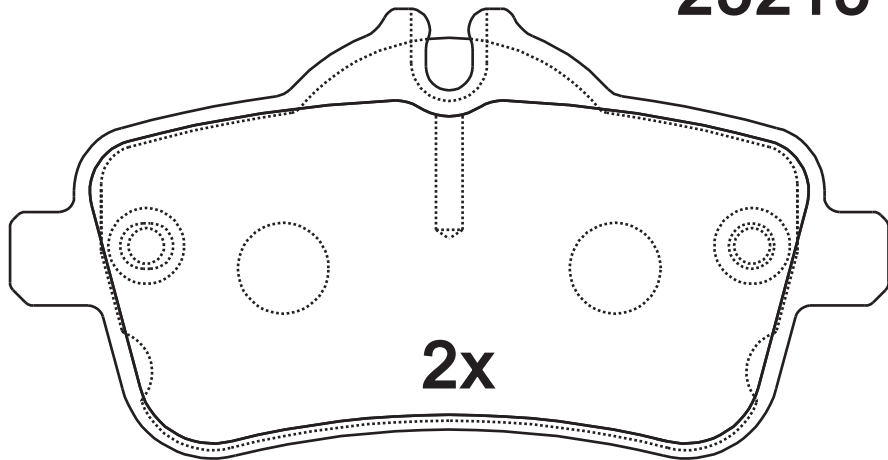
SR0802.01

Dimension (mm)	Thickness (mm)	
116.2×49.5 116.2×59.5	16.5	

NOTE
2 identical;2 identical;



25215



25216

Apply for:

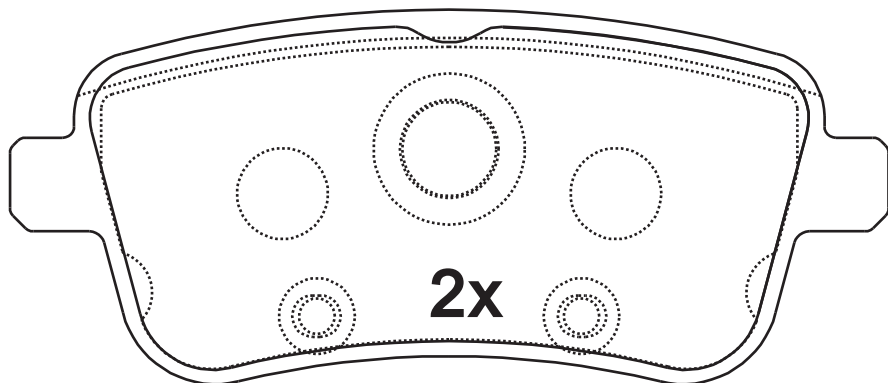
Mercedes-Benz GL63 AMG
Mercedes-Benz ML63 AMG

2013-2014
2012-2014

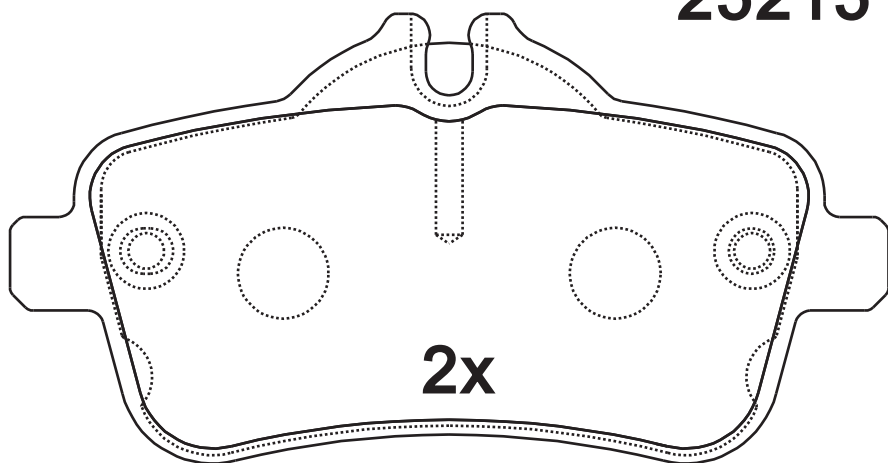
SR0802.02

Dimension (mm)	Thickness (mm)	
116.2×49.5 116.2×59.5	18.5	

NOTE
2 identical;2 identical;



25215



25216

Apply for:

Mercedes-Benz GL63 AMG
Mercedes-Benz ML63 AMG

2013-2014
2012-2014

SR0802

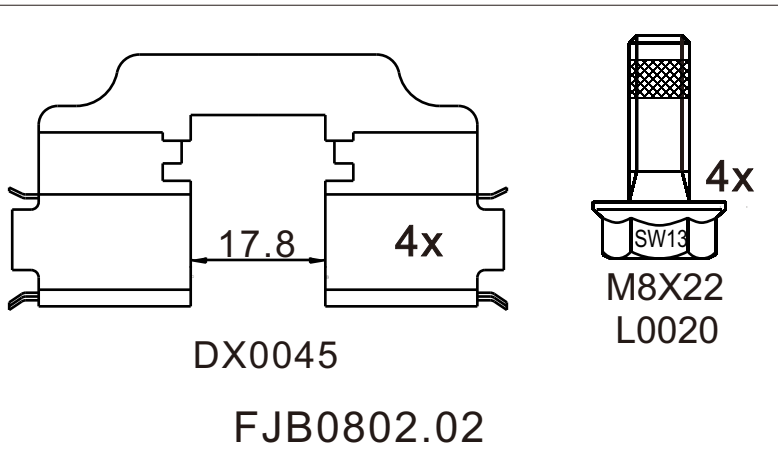
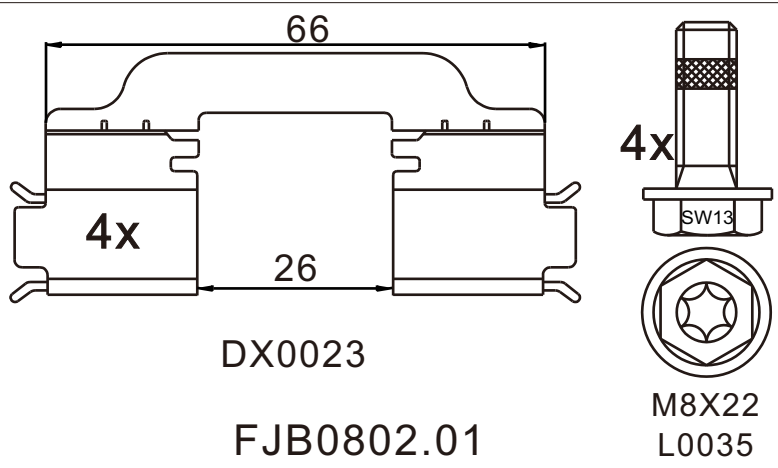
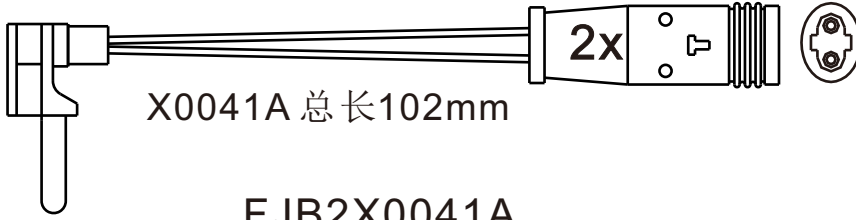
**Dimension
(mm)**


**Thickness
(mm)**



NOTE

附件包
Accessory bag



SR0803.01	Dimension (mm)	Thickness (mm)		NOTE

SR0804.01

**Dimension
(mm)**

140×41.5
140×40

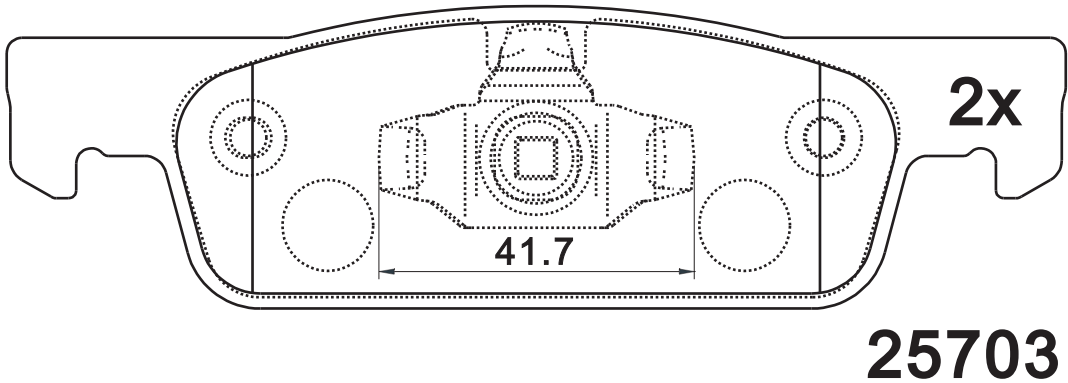
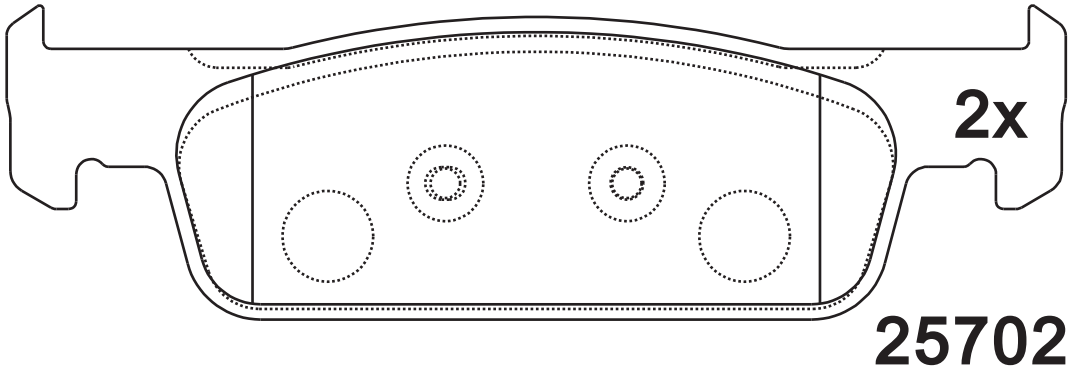
**Thickness
(mm)**

18.2



NOTE

**2 identical; 2 identical
with spring.**



Apply for:

Renault Logan (Latin America)
Renault Logan (Latin America)

2015
2016

SR0804.02

**Dimension
(mm)**

140×41.5
140×44

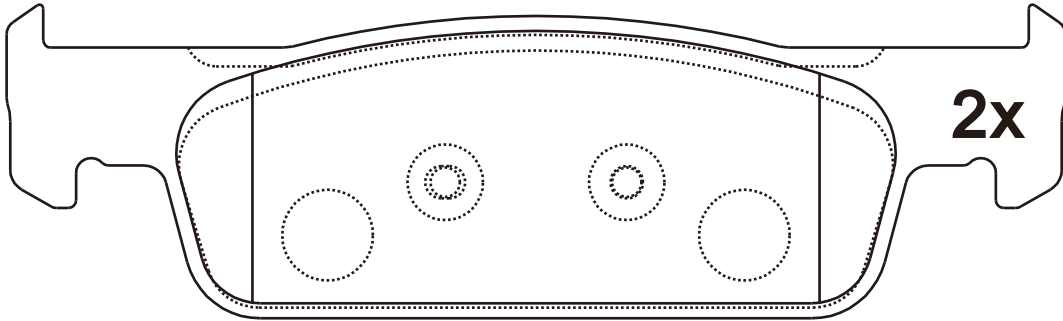
**Thickness
(mm)**

18



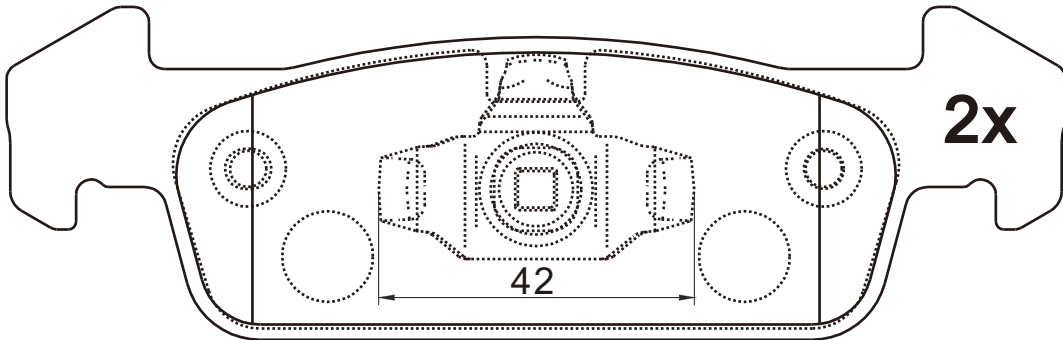
NOTE

**2 identical; 2 identical
with spring.**



2x

25702



2x

25738

Apply for:

Dacia Logan li

2012/10-

SR0804.03

**Dimension
(mm)**

**Thickness
(mm)**

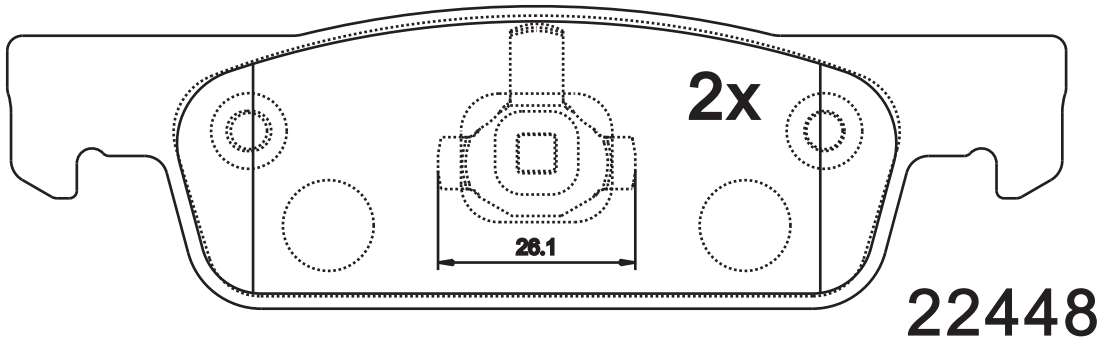
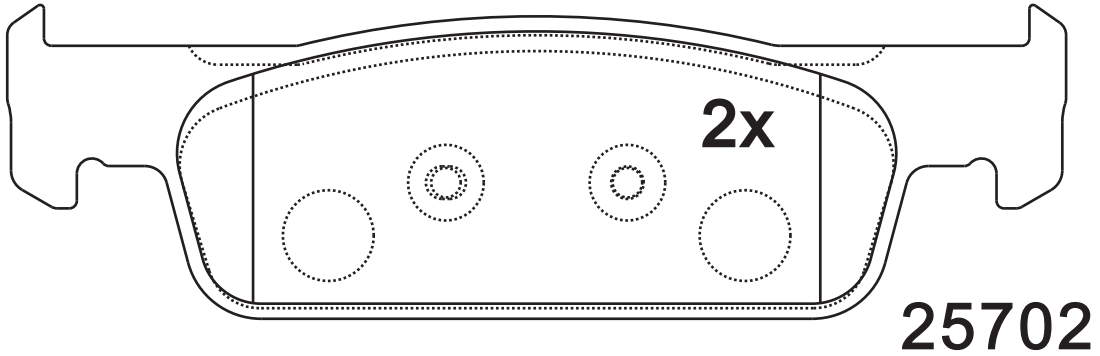


NOTE

**2 identical; 2 identical
with spring.**

140×41.5
140×40

18.2



Apply for:

DACIA LOGAN II 1.2

2012-

RENAULT LOGAN/STEPWAY II (L8_) 1.6

2013-

SR0805.01

**Dimension
(mm)**

108.6×39

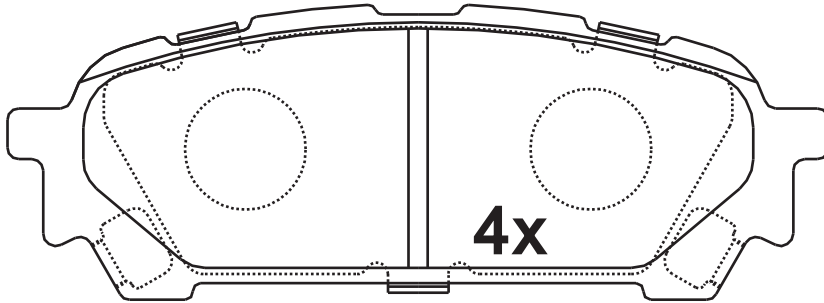
**Thickness
(mm)**

14.4



NOTE

4 identical;



24331



2x

Apply for:

Saab 9-2X	2005-2006
Subaru Forester	2004-2008
Subaru Impreza	2004-2007
Subaru Impreza WRX	2004

SR0806.01

**Dimension
(mm)**

141.2×49.5

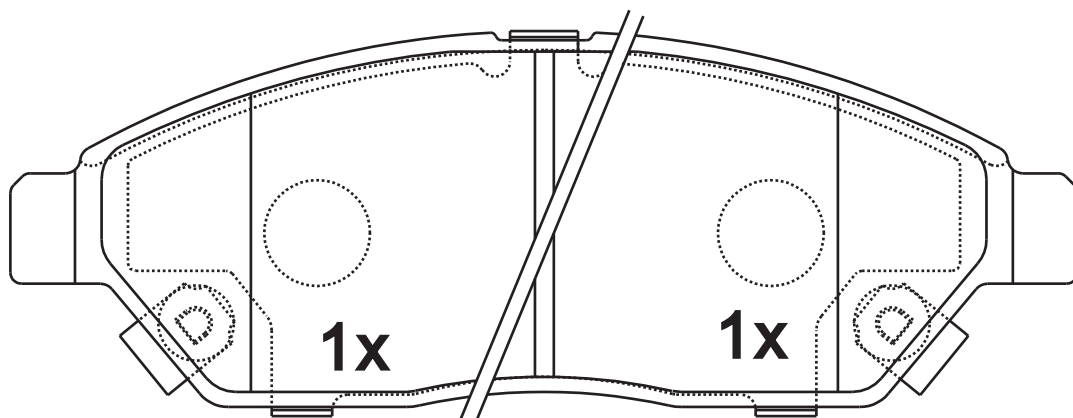
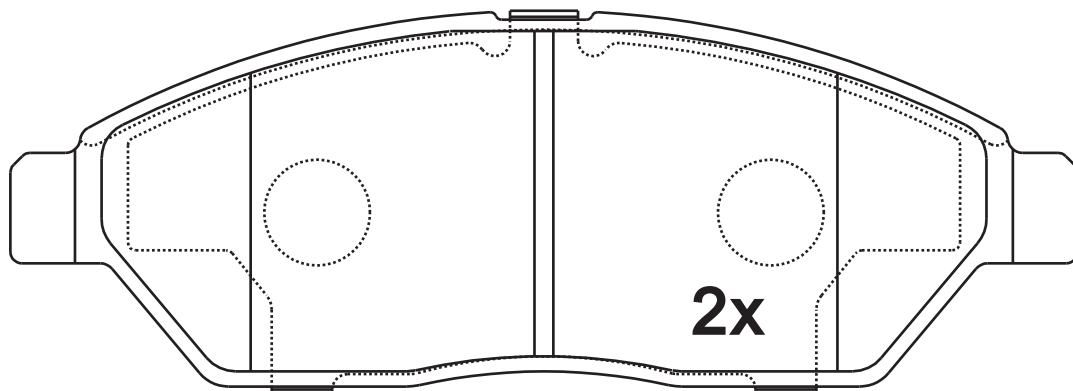
**Thickness
(mm)**

17



NOTE

4 identical, 1 with acoustic indicator(left), 1 with acoustic indicator(right).





GDB7857

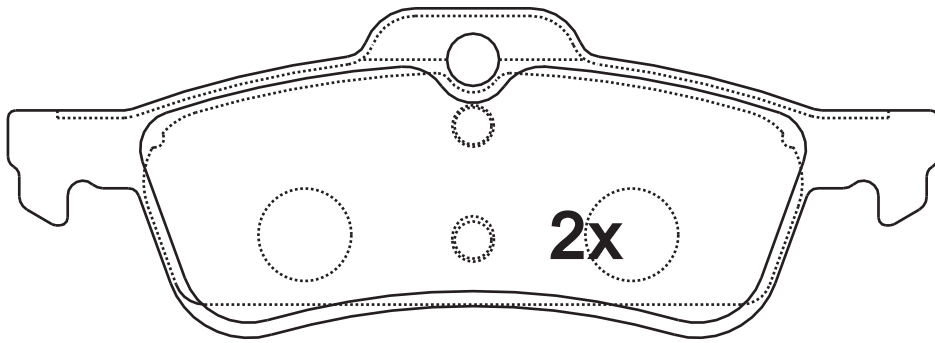
Apply for:

Great Wall C50 Saloon

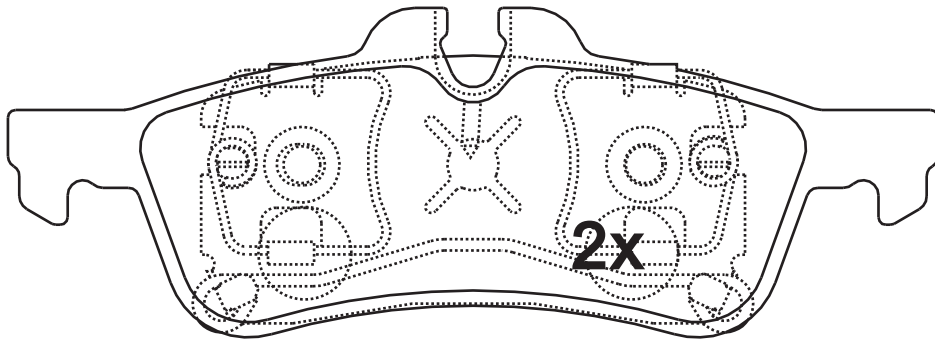
2011/11-

SR0807.01

Dimension (mm)	Thickness (mm)		NOTE 2 identical;2 identical;
123.1×43.6	16.5		



23716



23717

Apply for:

- | | |
|--------------------------------|----------|
| HONDA 思域 IX | 2012/02- |
| HONDA CIVIC IX Saloon (FB, FG) | 2011/09- |
| HONDA CIVIC IX Tourer (FK) | 2014/01- |
| HONDA 思域四门轿车(FD_) | 2005/09- |

SR0807

**Dimension
(mm)**

**Thickness
(mm)**

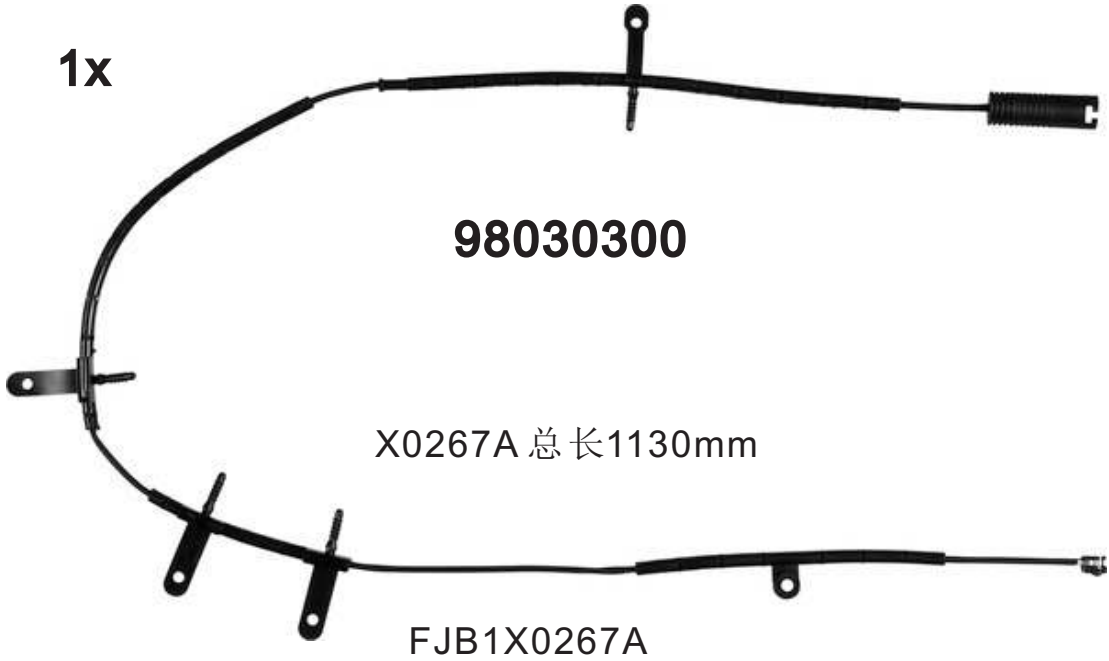


NOTE

附件包

Accessory bag

1x



SR0808.01

**Dimension
(mm)**

123.1×43.6

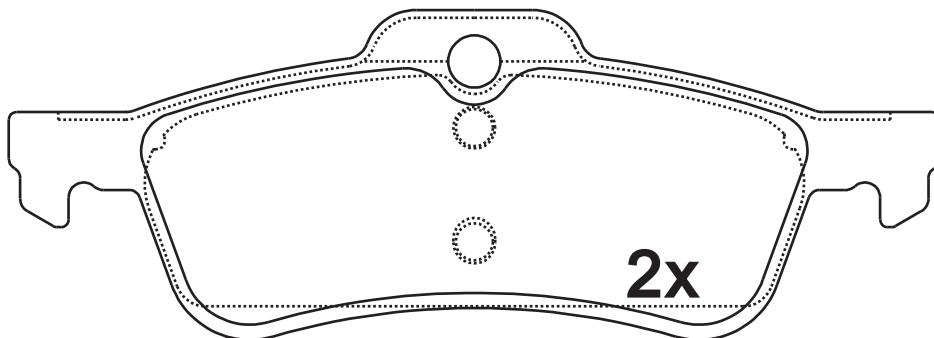
**Thickness
(mm)**

14.8

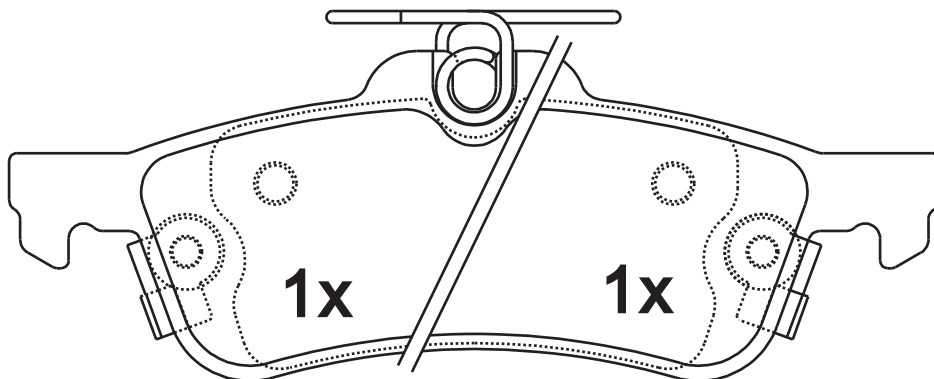


NOTE

2 identical;2 identical,1 with acoustic indicator (left),1 with acoustic indicator(right).



24574



24576

24575

Apply for:

大发 CHARADE
TOYOTA BELTA Saloon (ZSP9_, NCP9_)
TOYOTA 雅力士
TOYOTA 雅力士两厢 (_CP10)

2011/05-
2007/08-
2010/12-
2005/08-

SR0809.01

**Dimension
(mm)**

150.5×61.8
150.5×64.6

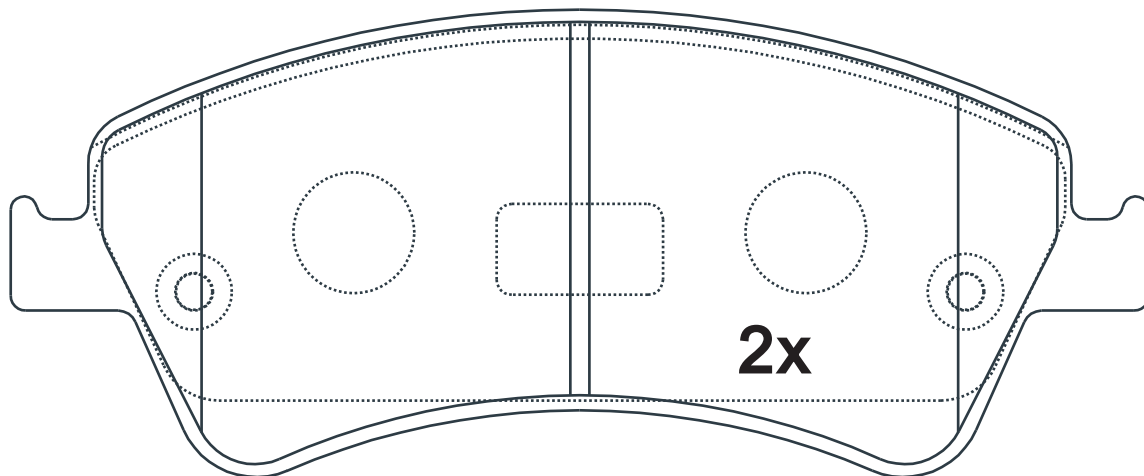
**Thickness
(mm)**

19.2

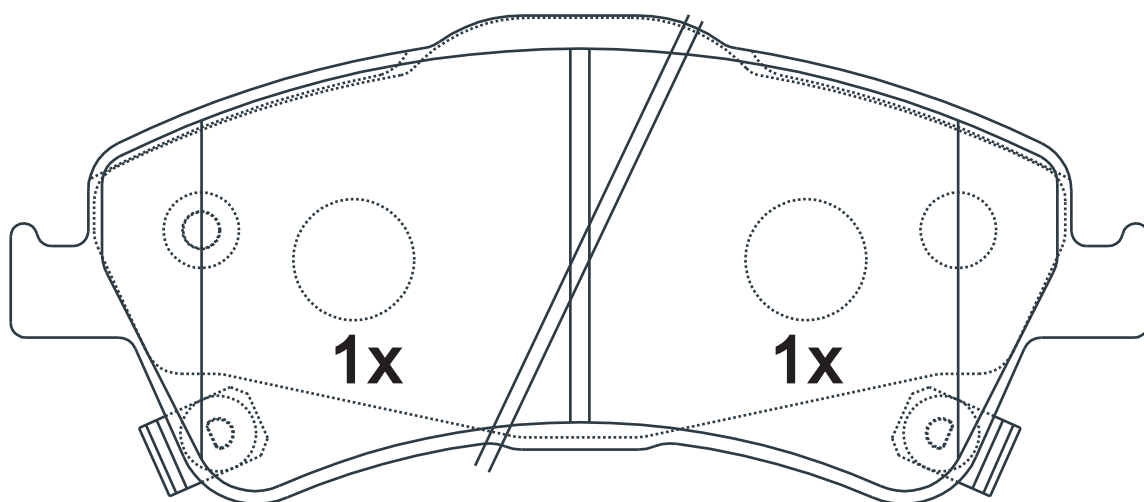


NOTE

2 identical;2 identical,1 with acoustic indicator (left),1 with acoustic indicator(right).



24204



24690

24691

Apply for:

TOYOTA AURIS (NRE15_, ZZE15_, ADE15_, NDE15_)

2006/10-

TOYOTA AURIS (NZE18_, ZRE18_)

2012/10-

SR0810.01

**Dimension
(mm)**

131.7×55.8

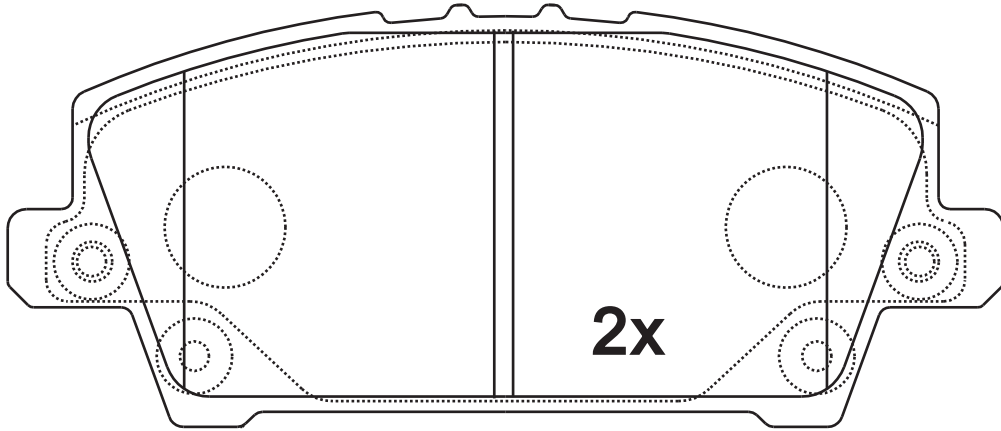
**Thickness
(mm)**

17.4

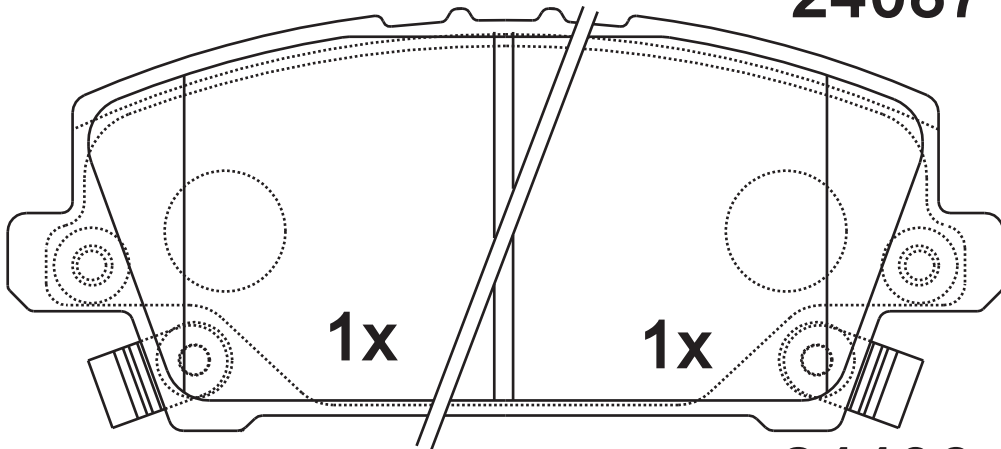


NOTE

2 identical;2 identical,1 with acoustic indicator (left),1 with acoustic indicator(right).



24087



24405

24406

Apply for:

Honda Civic Viii Hatchback
Honda Civic Viii Saloon

2005/09-
2005/09-

SR0810

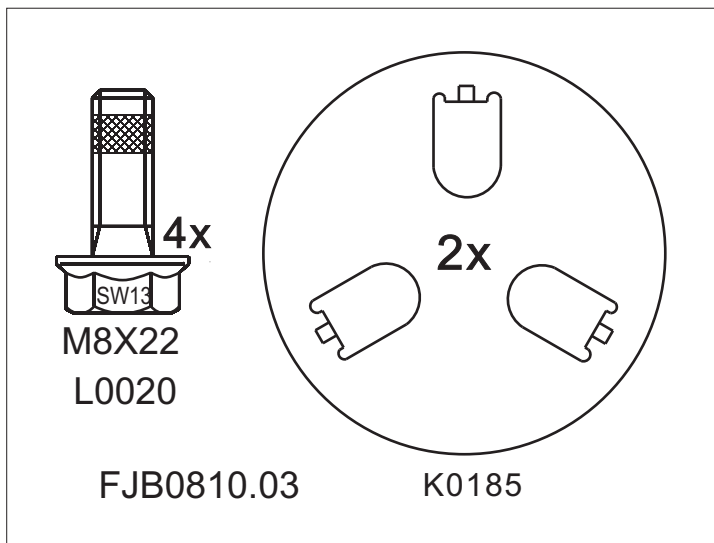
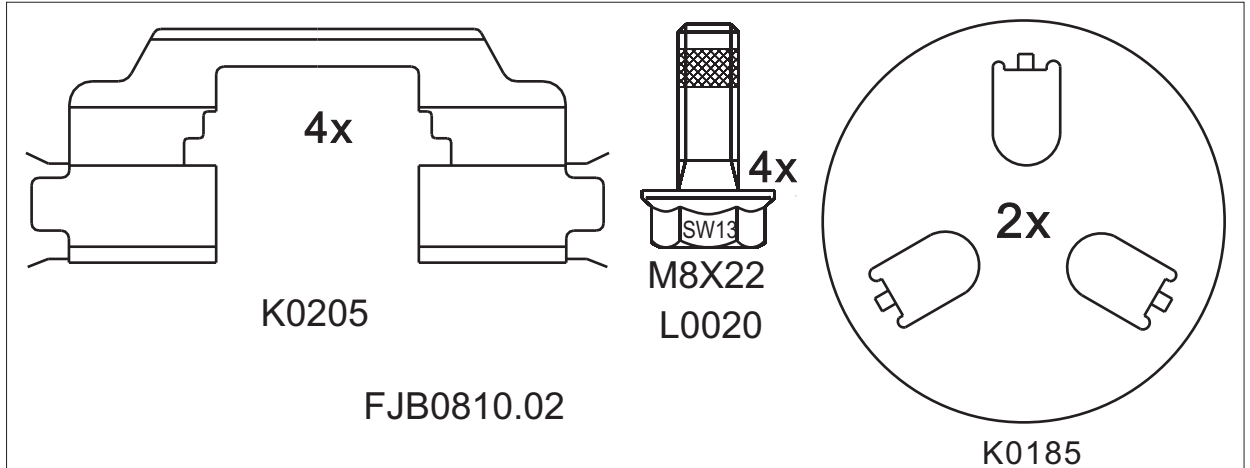
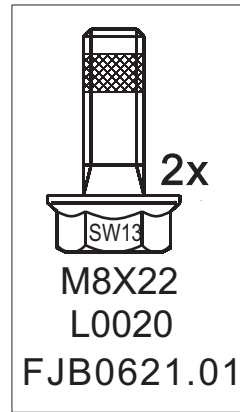
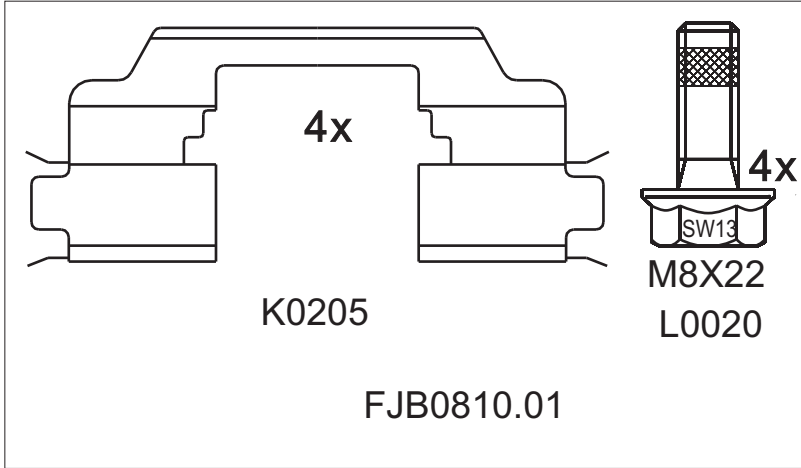
**Dimension
(mm)**

**Thickness
(mm)**



NOTE

附件包
Accessory bag



SR0811.01

**Dimension
(mm)**

**Thickness
(mm)**

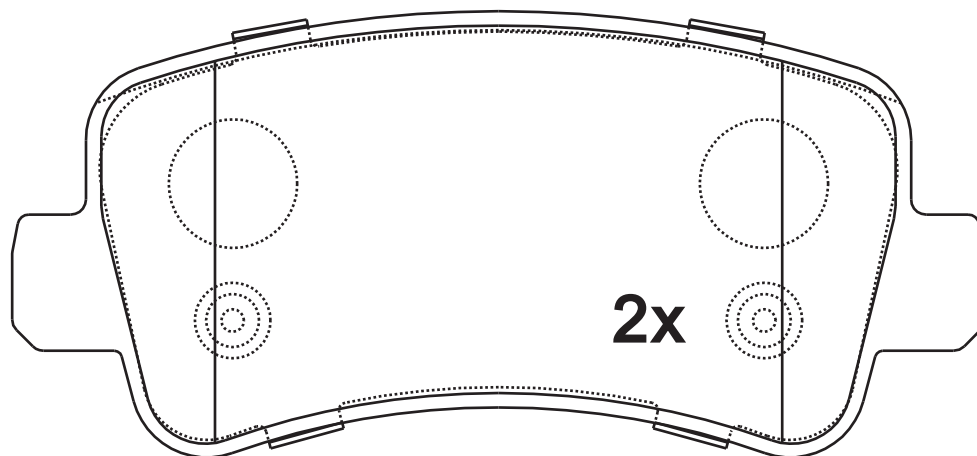


NOTE

**2 identical; 2 identical
with warn indicator.**

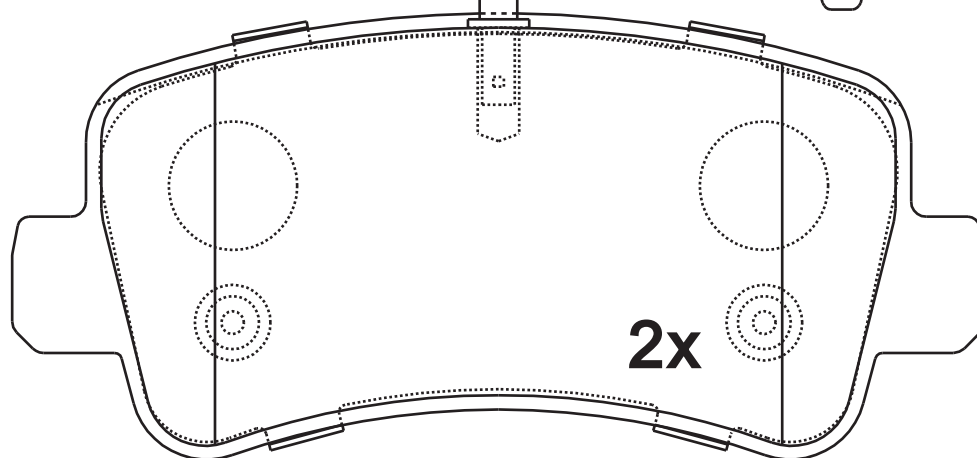
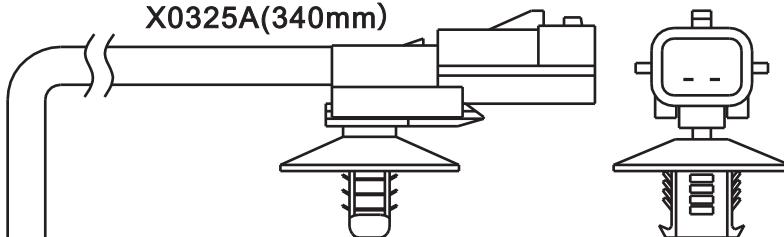
128.6×59

18.4



25112

X0325A(340mm)



25113

Apply for:

日产 NV400 Box 2011/11-

日产 NV400 Bus 2011/11-

日产 NV400 Platform/Chassis 2011/11-

SR0811.02

**Dimension
(mm)**

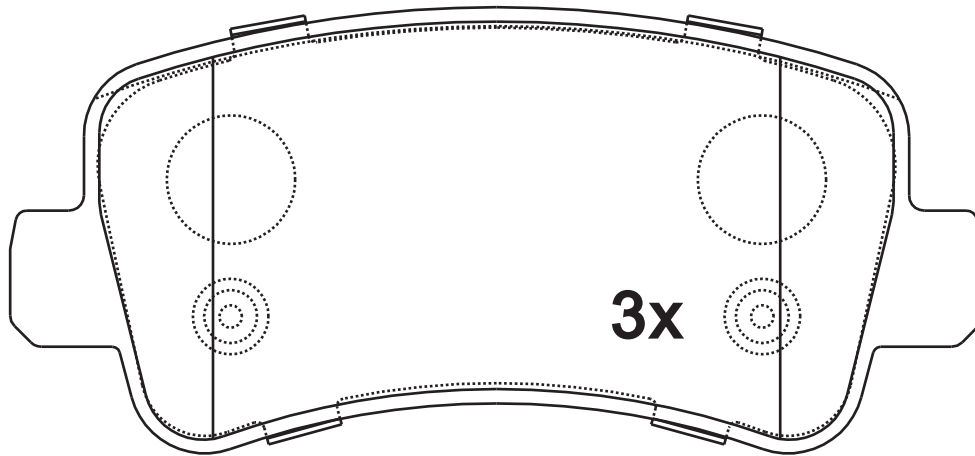
128.6×59

**Thickness
(mm)**

18.4

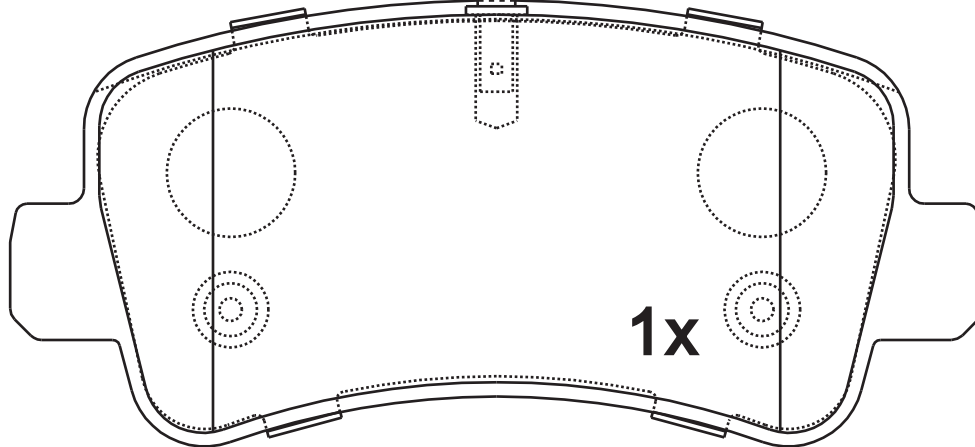
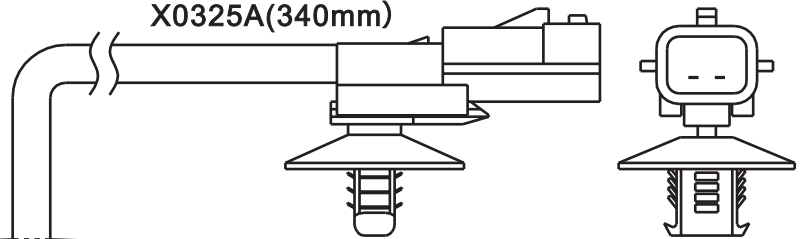


NOTE



25112

X0325A(340mm)





25113

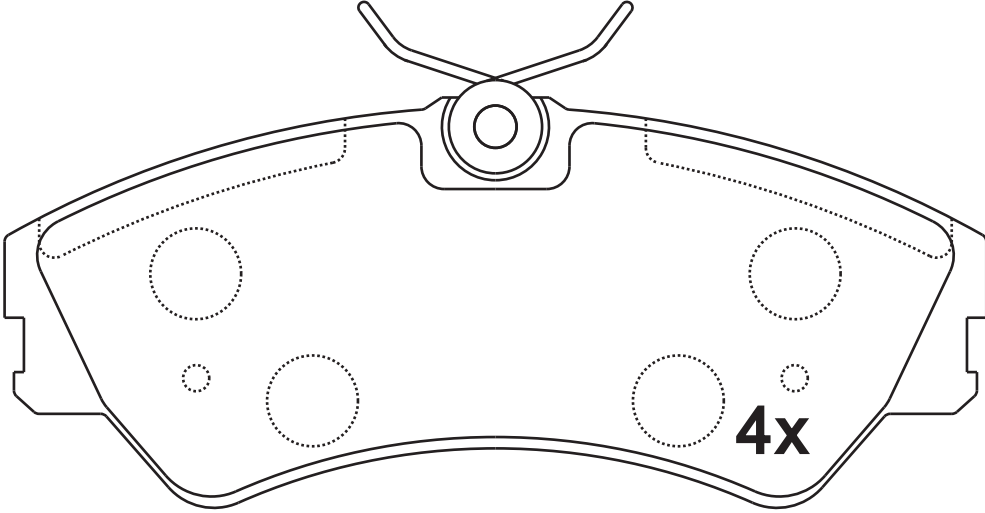
Apply for:

日产 NV400 Box 2011/11-

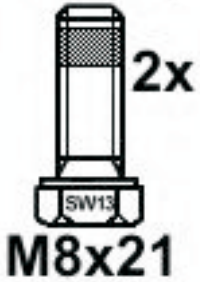
日产 NV400 Bus 2011/11-

日产 NV400 Platform/Chassis 2011/11-

SR0812.01	Dimension (mm)	Thickness (mm)		NOTE
	129.8×54.5	18.9		4 identical;



20124



Apply for:

Volkswagen EuroVan (Latin America) 1990-2001

SR0813.01

**Dimension
(mm)**

123.8×66.5

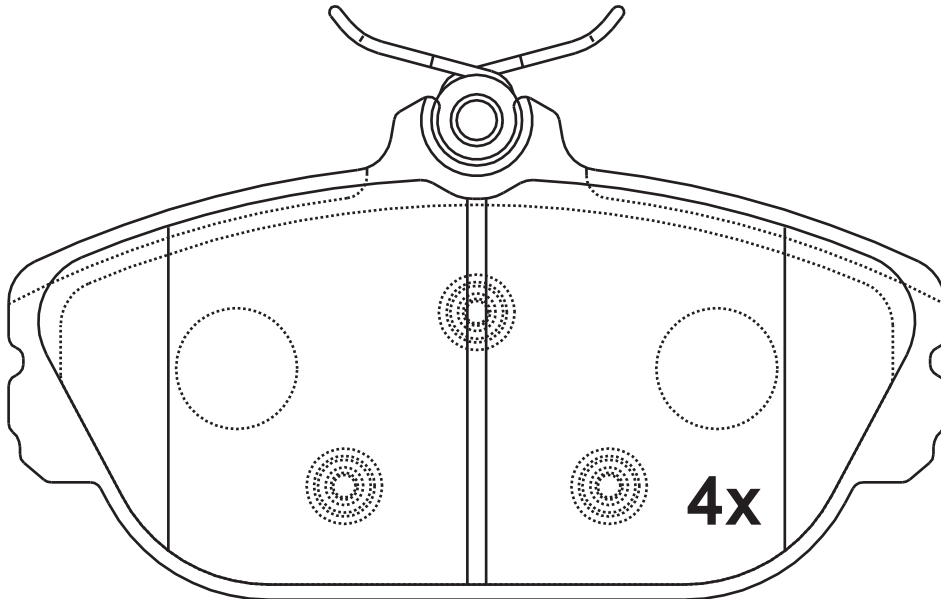
**Thickness
(mm)**

17.5



NOTE

4 identical ;



D601

Apply for:

FORD Taurus	1994-2000
FORD Taurus Police	2001-2002
FORD Taurus SHO	1994
FORD Taurus Station Wagon	1994-2000
FORD TRUCK Windstar	1995-1998
LINCOLN Continental	1993-1994
MERCURY Sable	1994-2000
MERCURY Sable Police	.2001
MERCURY Sable Station Wagon	1994-2000

SR0814.01

**Dimension
(mm)**

**Thickness
(mm)**

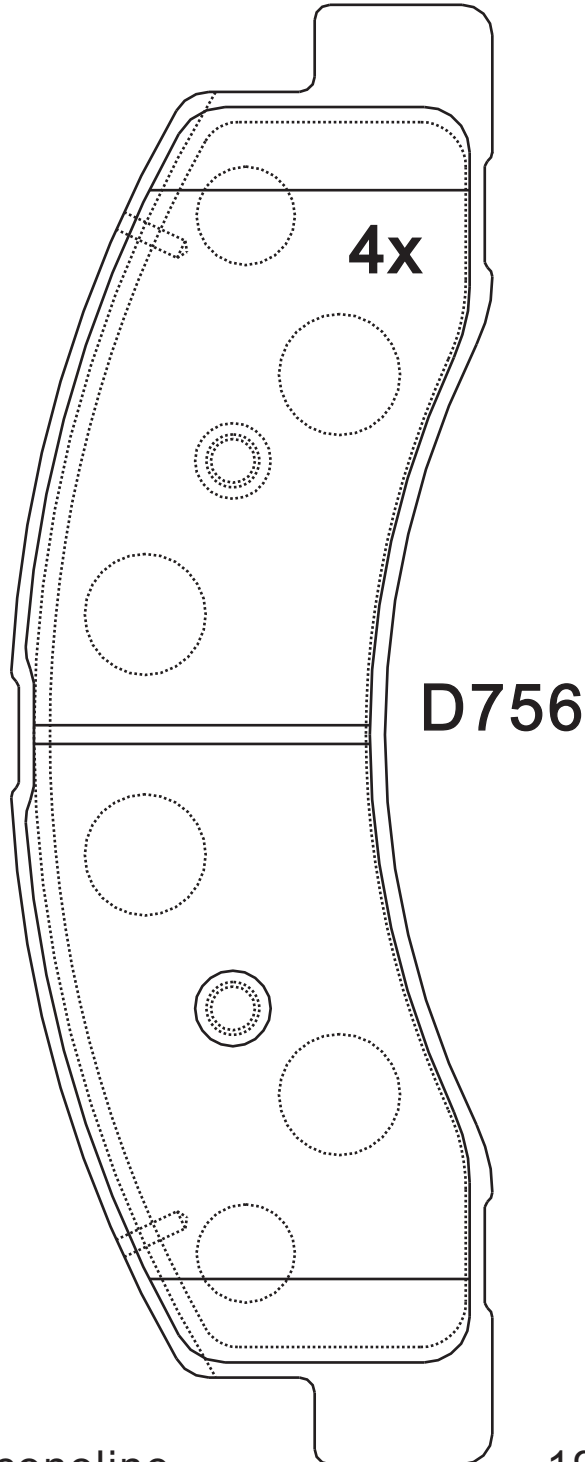


NOTE

4 identical;

193×63.6

17.8



Apply for:

- | | |
|--------------------------------------|-----------|
| FORD TRUCK E-350 Econoline | 1998 |
| FORD TRUCK E-350 Econoline Club Wago | 1998 |
| FORD TRUCK E-350 Econoline DRW | 1998 |
| FORD TRUCK Excursion | 2000-2005 |
| FORD TRUCK F-250 Super Duty | 1999 |
| FORD TRUCK F-350 Super Duty | 1998-1999 |

SR0815.01

**Dimension
(mm)**

151.1×56.2

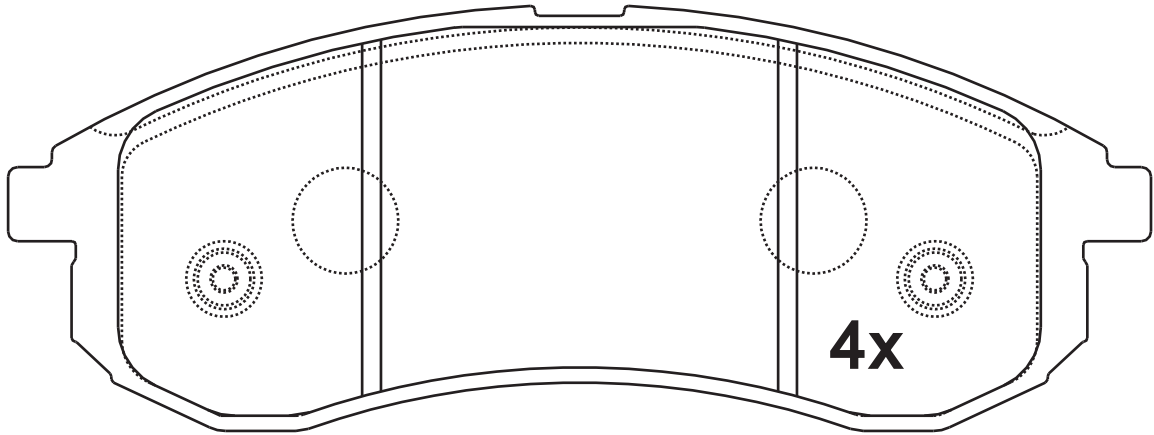
**Thickness
(mm)**

15.5



NOTE

4 identical;



23879



2x

Apply for:

Mitsubishi L200 2.5Sport HPE (Latin Amer)

2004

SR0815.02

**Dimension
(mm)**

151.2×56.5

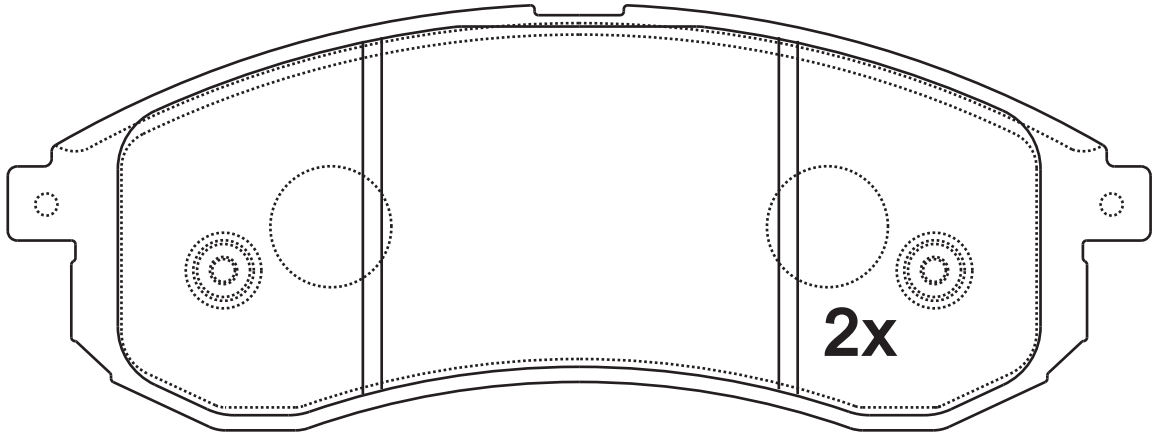
**Thickness
(mm)**

15.5

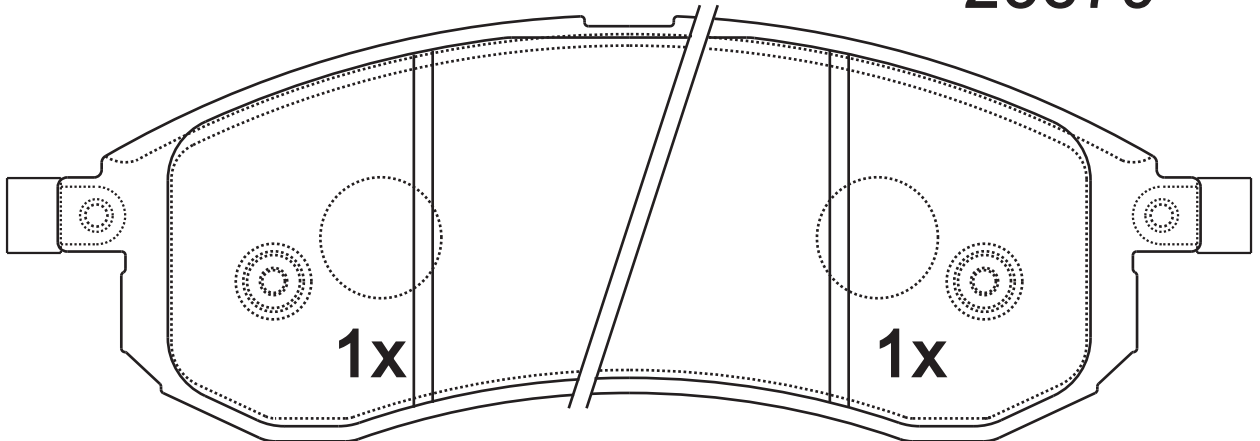


NOTE

2 identical; 2 identical, 1 with acoustic indicator (left), 1 with acoustic indicator (right).



23879



23880

Apply for:

Mitsubishi L200 2.5Sport HPE (Latin Amer)

2004

SR0815.03

**Dimension
(mm)**

151.1×56.2

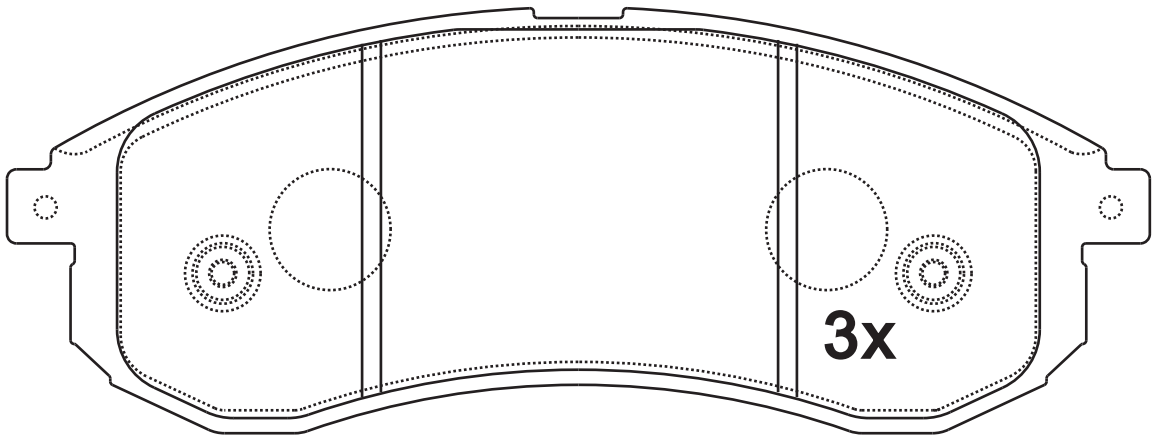
**Thickness
(mm)**

16

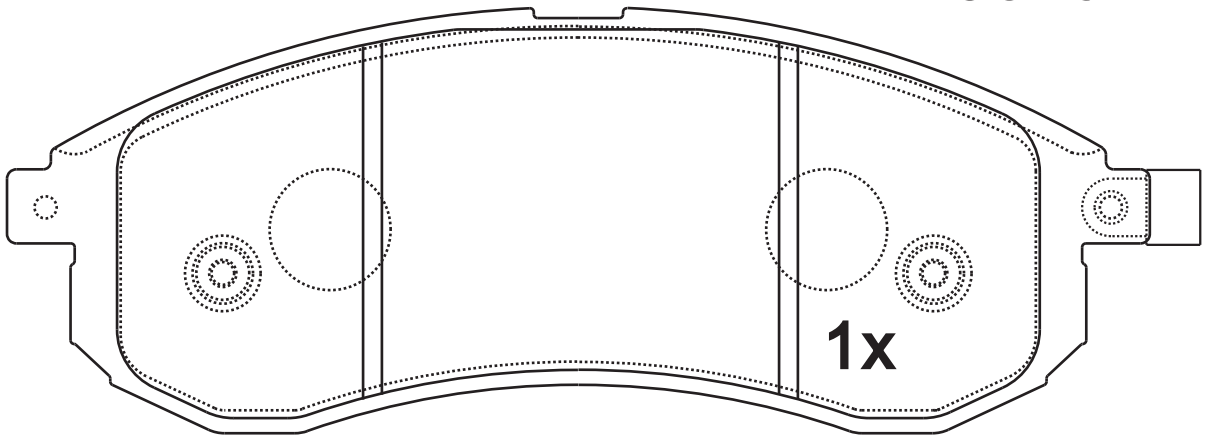


NOTE

4 identical, 1 with acoustic indicator (right).



23879




23880

Apply for:

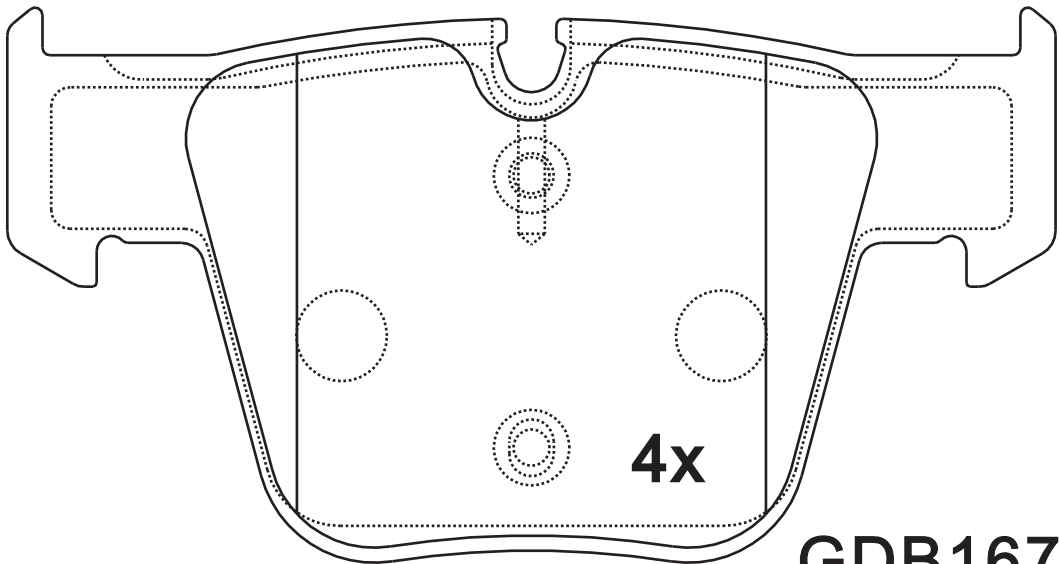
MITSUBISHI L200 (K7_T, K6_T) 2.0 (K62T)

1996-2007

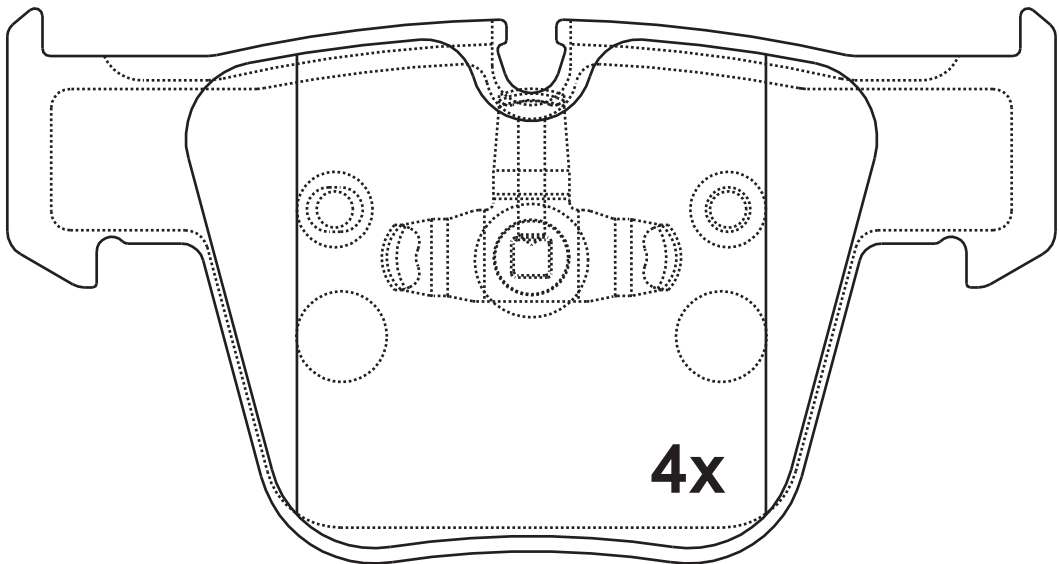
SR0816.01

Dimension (mm)	Thickness (mm)	
138.6×73.4	16.7	

NOTE
4 identical;4 identical with spring.



**GDB1674
D1289**



Apply for:

- | | | |
|---------------|----------|-----------|
| Mercedes-benz | CL63 AMG | 2008-2014 |
| Mercedes-benz | CL65 AMG | 2008-2014 |
| Mercedes-benz | S63 AMG | 2008-2014 |
| Mercedes-benz | S65 AMG | 2007-2013 |

SR0817.01

**Dimension
(mm)**

189.3×92.1

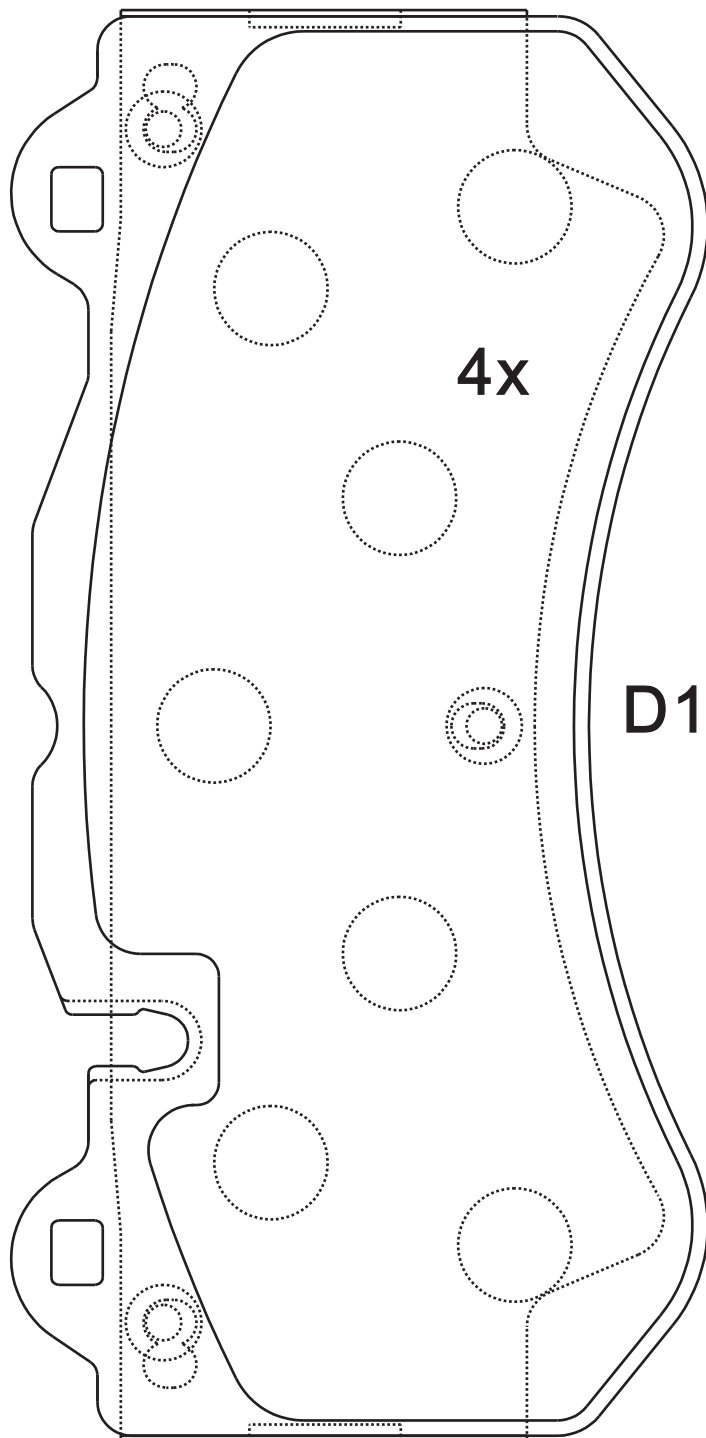
**Thickness
(mm)**

17



NOTE

4 identical;



Apply for:

- | | |
|---|-----------|
| Mercedes-benz CLS63 AMG Performance Package | 2007-2011 |
| Mercedes-benz SL55 AMG Performance Package | 2007-2008 |
| Mercedes-benz SL65 AMG | 2007-2009 |
| Mercedes-benz SL65 AMG | 2011 |

SR0818.01

**Dimension
(mm)**

189.5×108.5

**Thickness
(mm)**

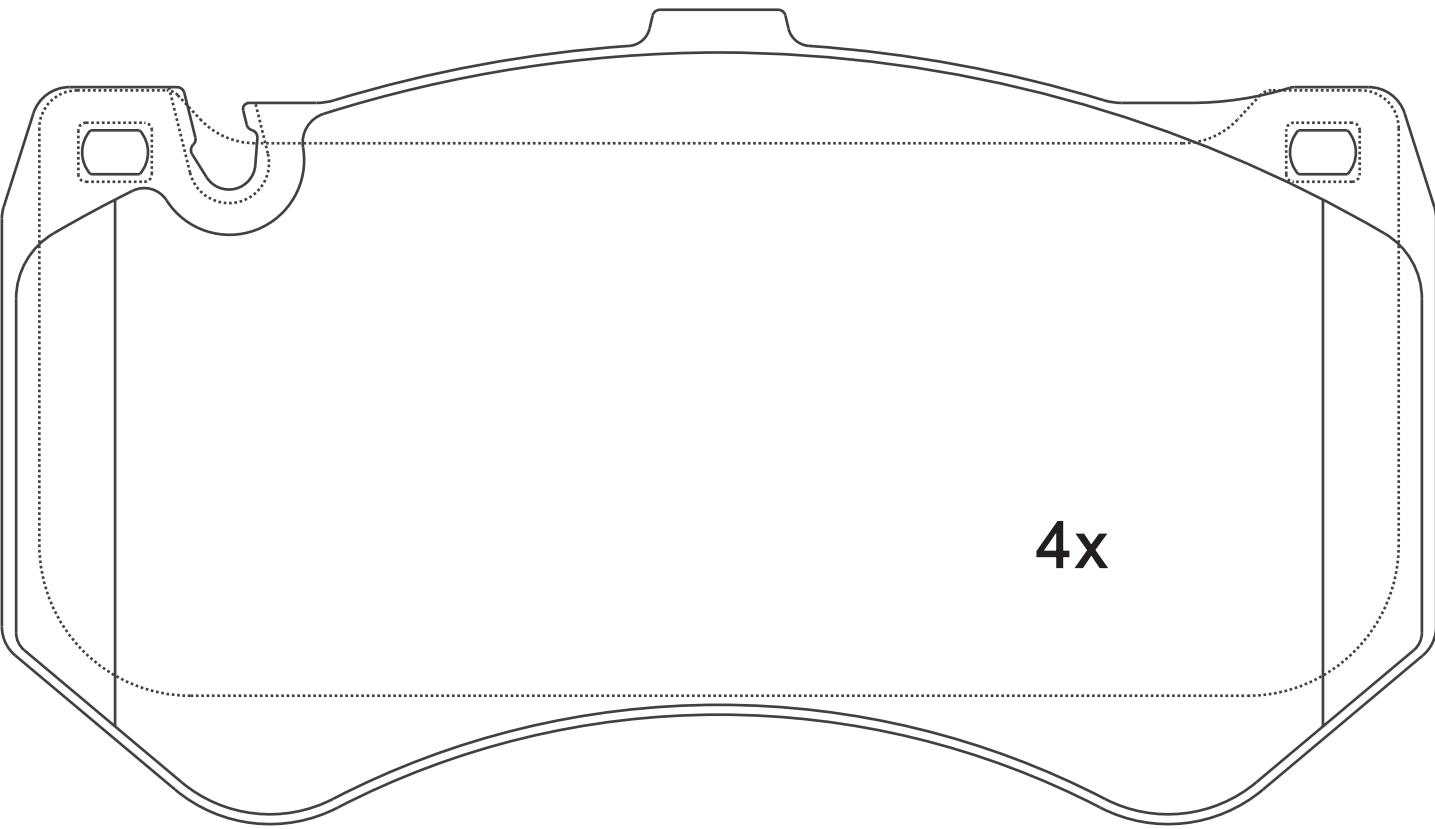
17.6



NOTE

4 identical;

无模具



4x

D1530

Apply for:

- | | |
|-----------------------------------|-----------|
| Mercedes-benz CLS63 AMG Ceramic | 2012-2014 |
| Mercedes-benz CLS63 AMG S Ceramic | 2014 |
| Mercedes-benz E63 AMG Ceramic | 2010-2013 |
| Mercedes-benz SL63 AMG Ceramic | 2013-2014 |
| Mercedes-benz SL65 AMG Ceramic | 2013-2014 |
| Mercedes-benz SLS AMG Ceramic | 2011-2014 |

SR0819.01

**Dimension
(mm)**

**Thickness
(mm)**



NOTE

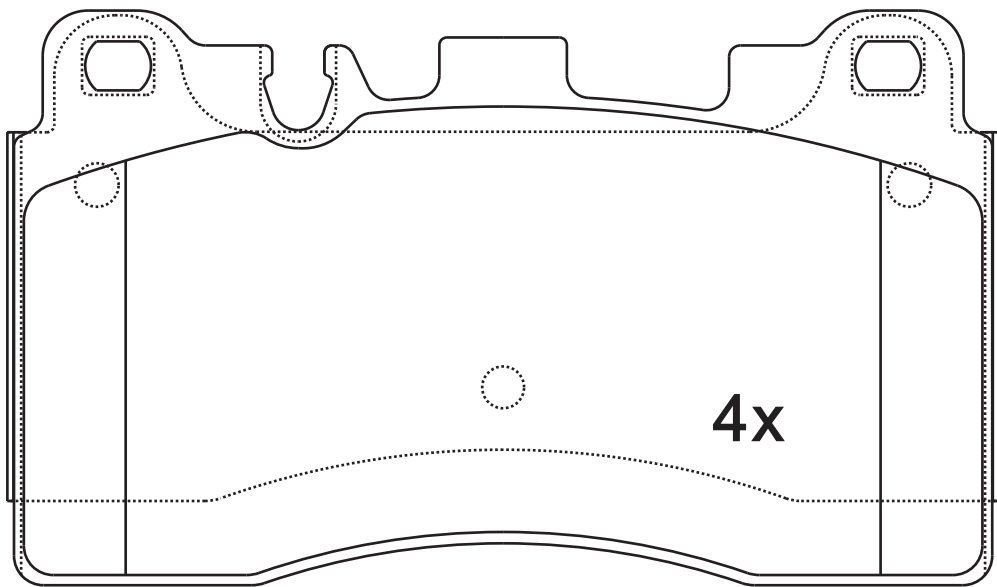
4 identical;

129.8×76.2

15.5



无模具



D1531

Apply for:

Mercedes-benz CLS63 AMG Ceramic	2012-2014
Mercedes-benz CLS63 AMG S Ceramic	2014
Mercedes-benz E63 AMG Ceramic	2010-2013
Mercedes-benz SLS AMG Ceramic	2011-2014

SR0820.01

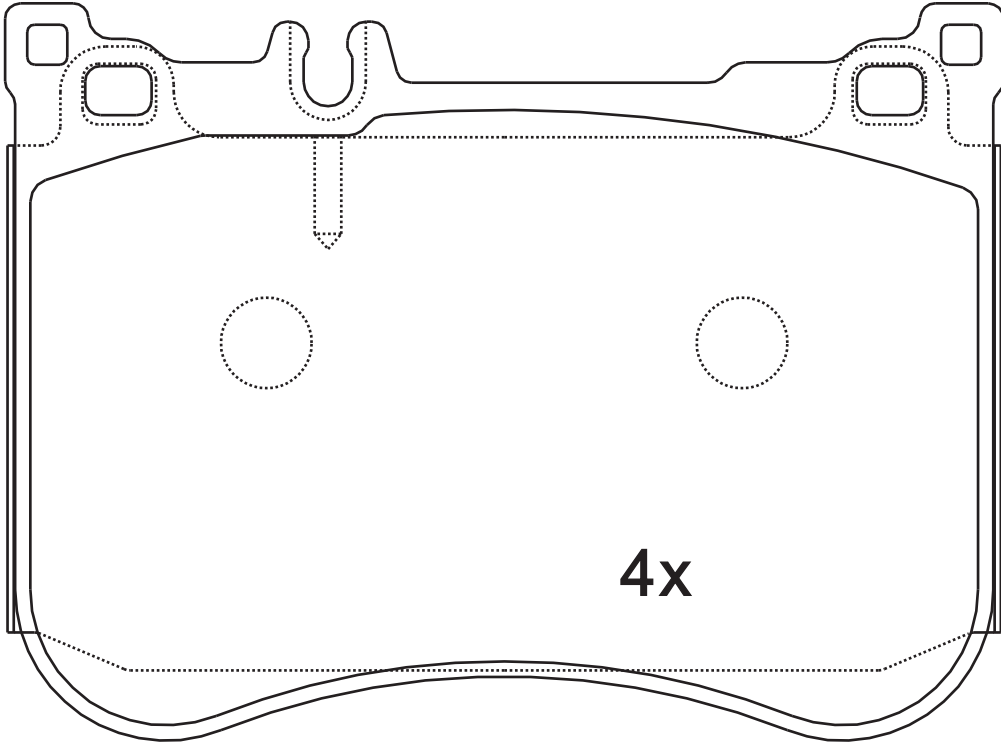
**Dimension
(mm)**

**Thickness
(mm)**



NOTE

4 identical;



25179

Apply for:

Mercedes-benz SL550 Sport

2013-2014

SR0820

**Dimension
(mm)**

**Thickness
(mm)**

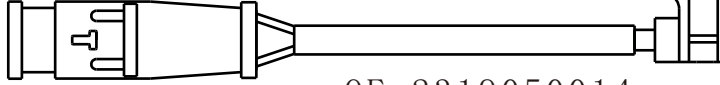


NOTE

**附件包
Accessory bag**



X0230A 总长101MM X2



OE: 2319050014

FJB2X0230A

SR0821.01

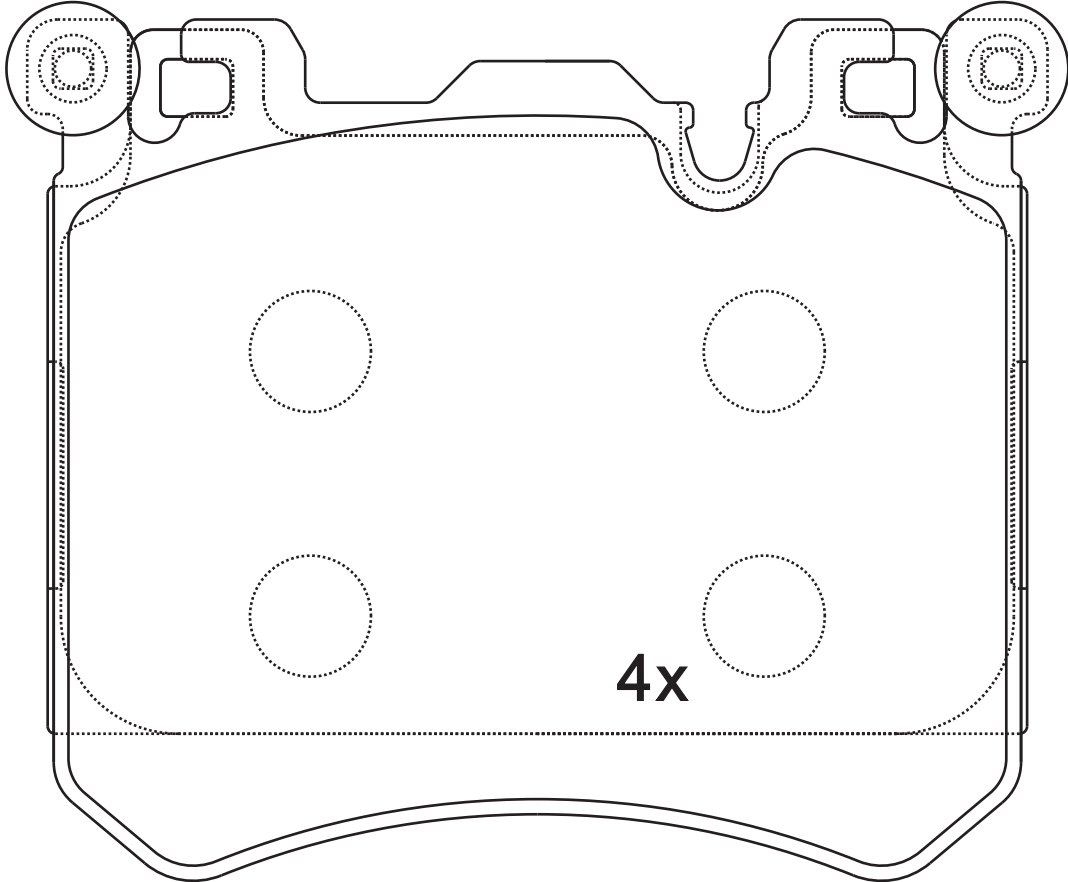
**Dimension
(mm)**

**Thickness
(mm)**



NOTE

4 identical;



24524

Apply for:

BMW X5 M
BMW X6 M

2010-2013
2010-2014

SR0822.01

**Dimension
(mm)**

**Thickness
(mm)**



NOTE

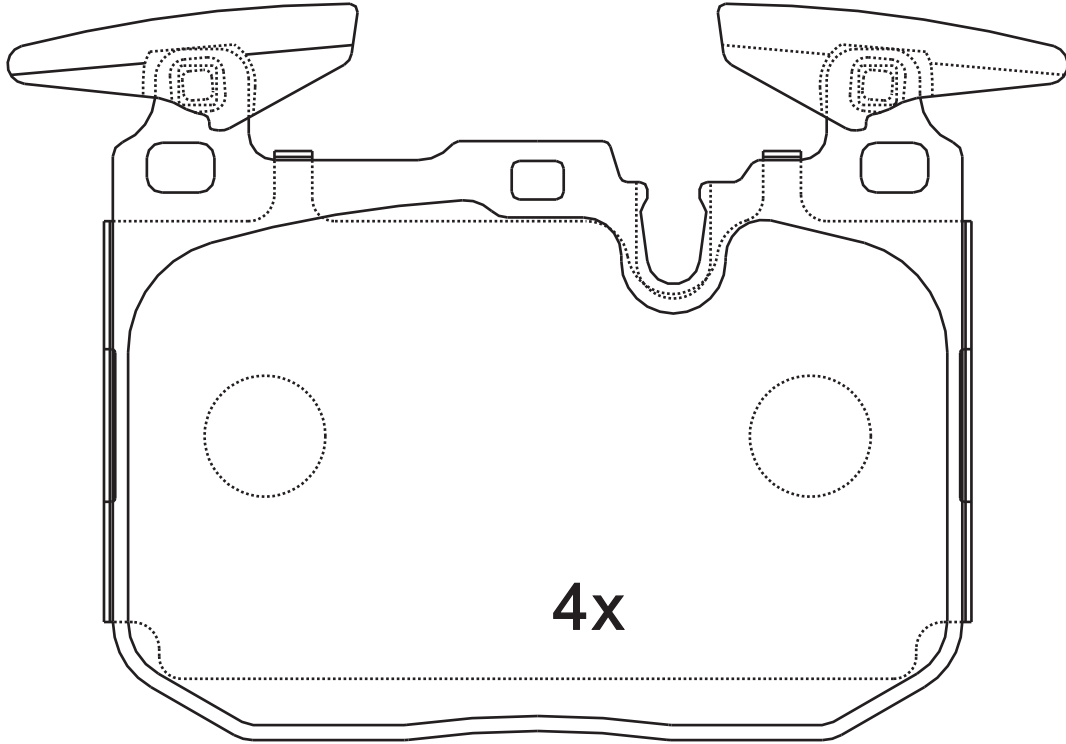
4 identical;

114.5×91.4

17.7



平衡滑块 46.1



GDB1943

Apply for:

BMW 228i Blue Caliper

2016-

BMW 320i Blue Caliper

2016-

BMW 320i xDrive Blue Caliper

2016-

BMW 428i Gran Coupe Blue Caliper

2015-

BMW M235i

2016-

SR0822.02

**Dimension
(mm)**

**Thickness
(mm)**

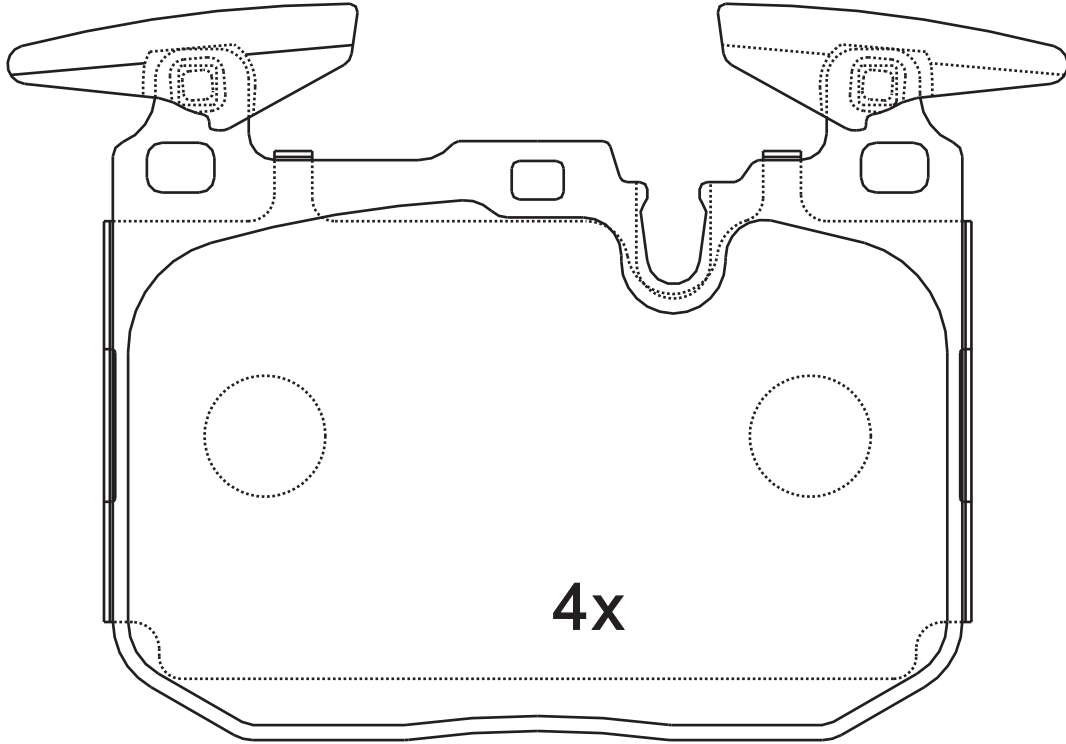


NOTE

4 identical;



平衡滑块 34.5



25028

Apply for:

BMW 3 (F30, F35, F80)
BMW 3 GRAN TURISMO (F34)
BMW 3 Touring (F31)
BMW 4 Convertible (F33, F83)
BMW 4 Coupe (F32, F82)
BMW 4 Gran Coupe (F36)

2011/10-
2013/03-
2011/10-
2013/10-
2013/07-
2014/03-

版次: A/3

SR0822.03

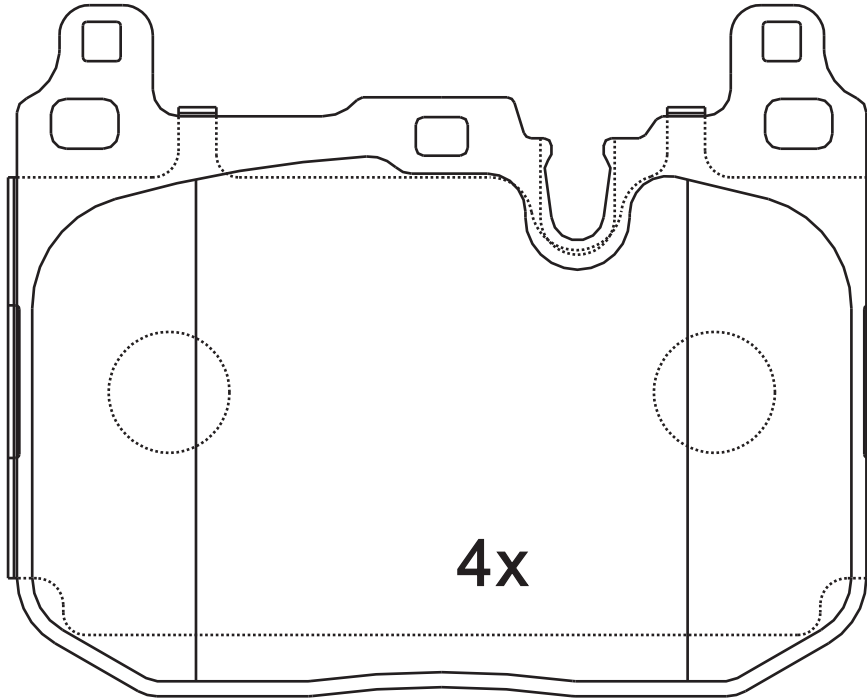
**Dimension
(mm)**

**Thickness
(mm)**



NOTE

4 identical;



GDB2137

Apply for:

BMW 228i Blue Caliper

2016-

BMW 320i Blue Caliper

2016-

BMW 320i xDrive Blue Caliper

2016-

BMW 428i Gran Coupe Blue Caliper

2015-

BMW M235i

2016-

SR0822

**Dimension
(mm)**

**Thickness
(mm)**



NOTE

附件包
Accessory bag



1x

98047500
34356792289

X197A总长675mm

FJB1X197A

2x

34356792289

X197A总长675mm

FJB2X197A

SR0823.01

**Dimension
(mm)**

116×64.7
116×71.8

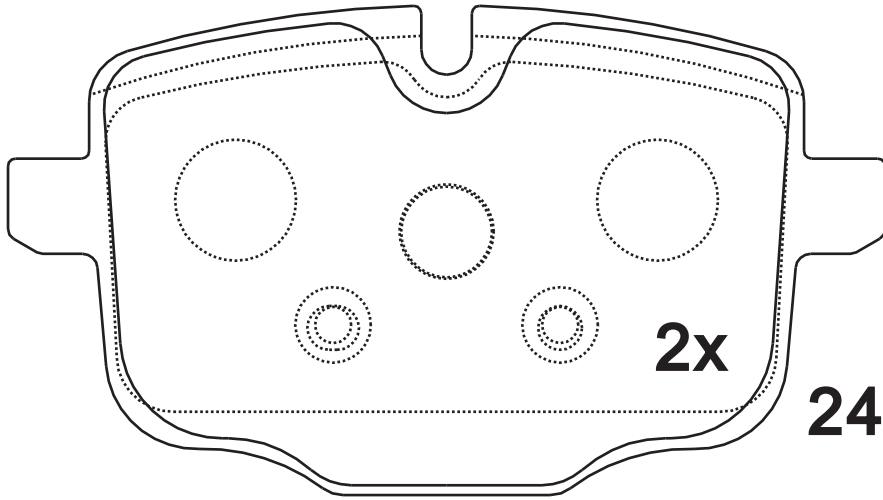
**Thickness
(mm)**

17.8

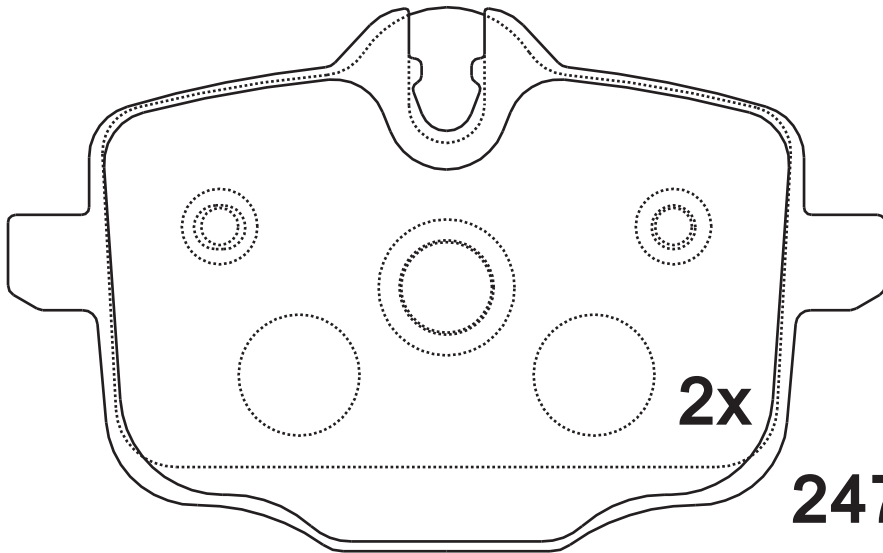


NOTE

2 identical;2 identical;



24703



24704

Apply for:

- BMW 550i 2011-2015
- BMW 550i xDrive 2011-2015
- BMW 640i 2012-2015
- BMW 640i Gran Coupe 2013-2015
- BMW 640i xDrive 2014-2015
- BMW 640i xDrive Gran Coupe 2014-2015
- BMW 650i 2012-2015
- BMW 650i Gran Coupe 2013-2015
- BMW 650i xDrive 2012-2015
- BMW 650i xDrive Gran Coupe 2013-2015
- BMW M5 2013-2014
- BMW M6 2012-2015
- BMW M6 Gran Coupe 2014-2015

SR0823

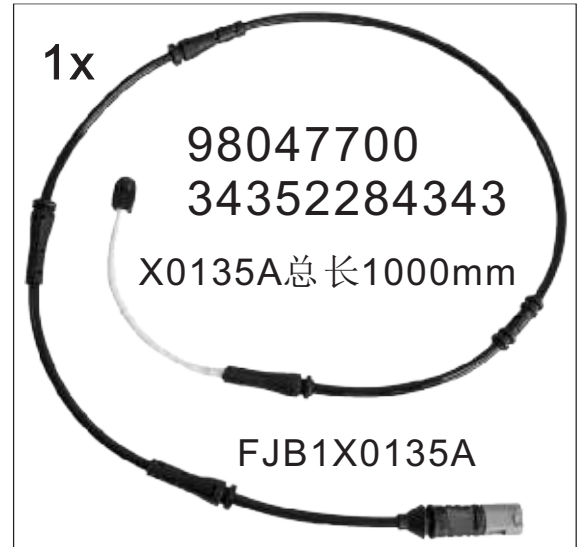
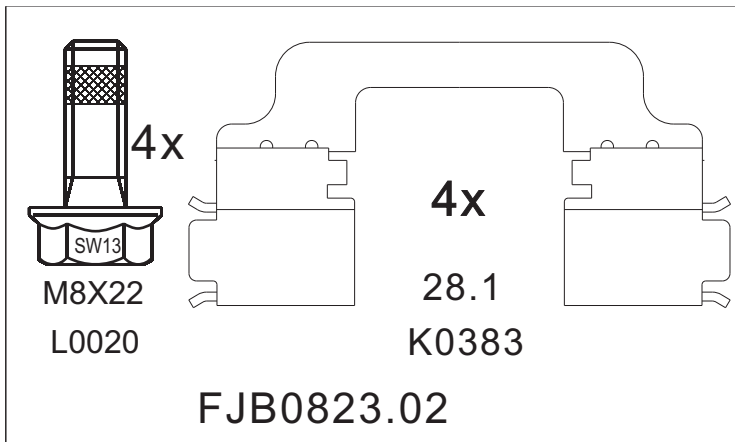
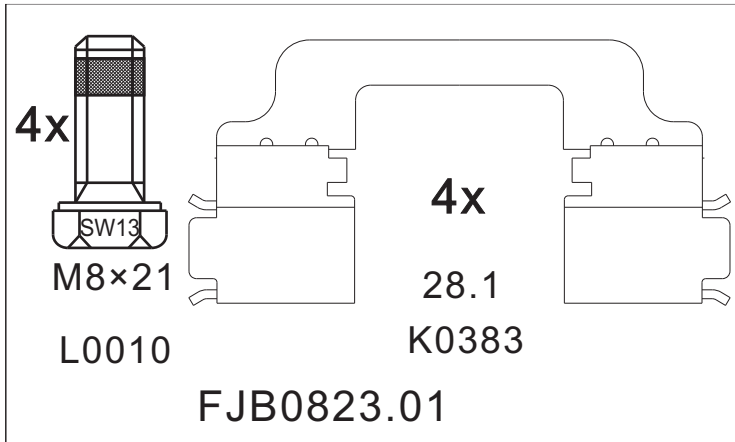
**Dimension
(mm)**

**Thickness
(mm)**



NOTE

附件包
Accessory bag



SR0824.01

**Dimension
(mm)**

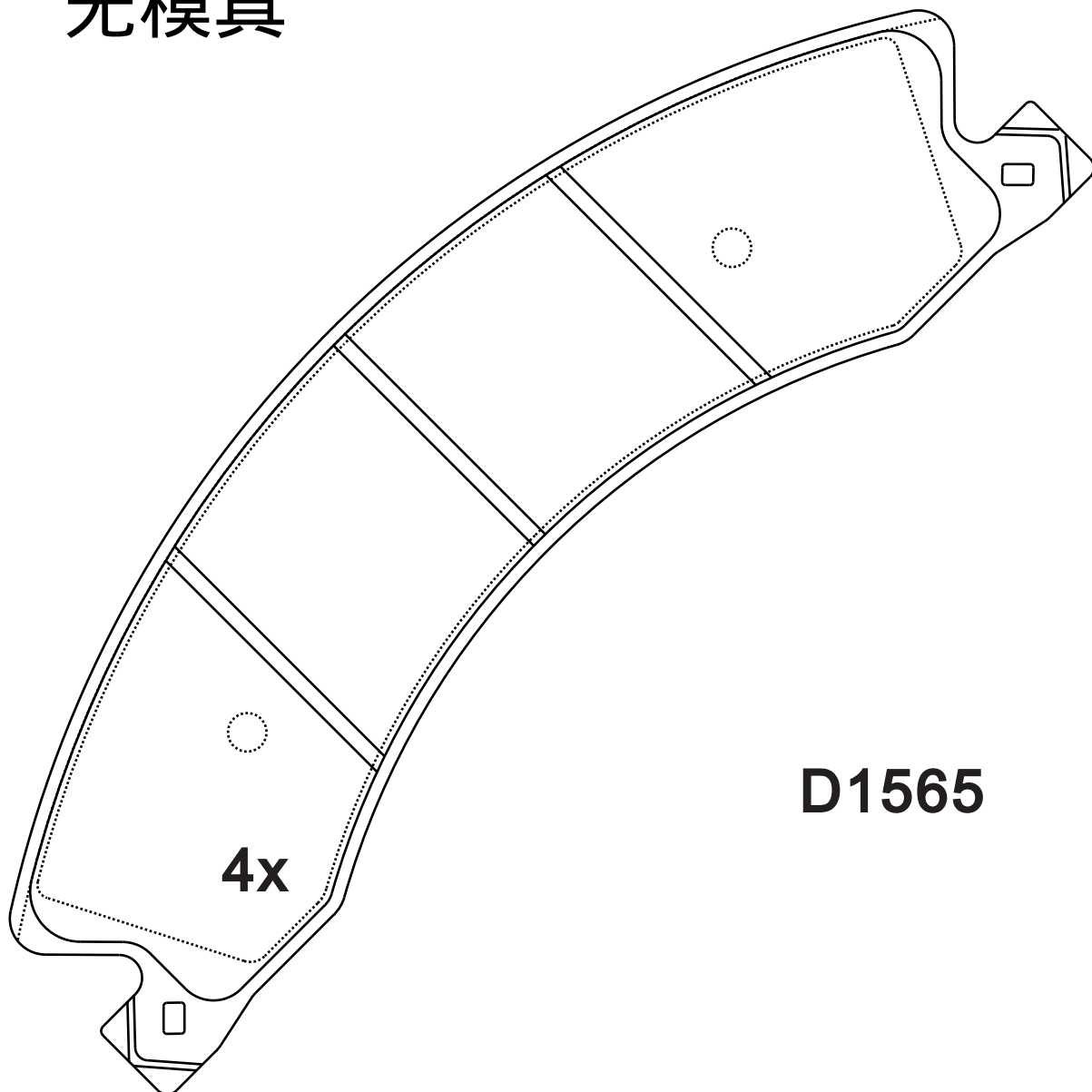
**Thickness
(mm)**



NOTE

4 identical;

无模具



D1565


4x

Apply for:

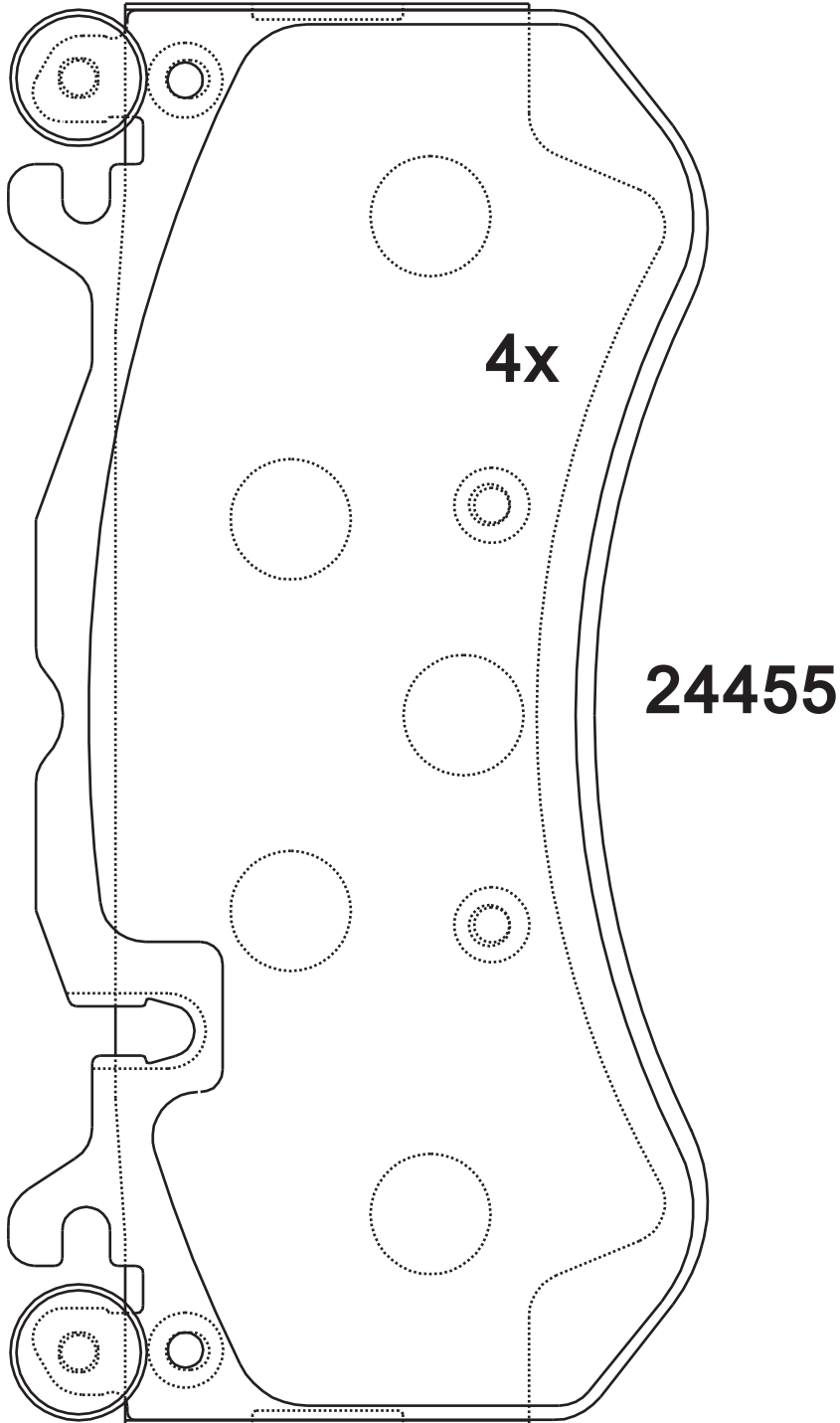
Chevrolet Truck Silverado 2500 HD
Chevrolet Truck Silverado 2500 HD
Chevrolet Truck Silverado 3500 HD
GMC Truck Sierra 2500 HD
GMC Truck Sierra 2500 HD
GMC Truck Sierra 3500 HD
GMC Truck Sierra 3500 HD

2012-2013
2015
2012-2015
2012-2013
2015
2012-2013
2015

SR0825.01

Dimension (mm)	Thickness (mm)	
189.2×93.1	16.5	

NOTE
4 identical;



Apply for:

- Audi A6 four door sedan (4F2)
- Audi A6 wagon (4F5)
- Audi A7 Sportback (4GA, 4GF)

- 2004/05-2011/03
- 2005/03-2011/08
- 2010/10-

SR0825.02

**Dimension
(mm)**

189.2×93.1

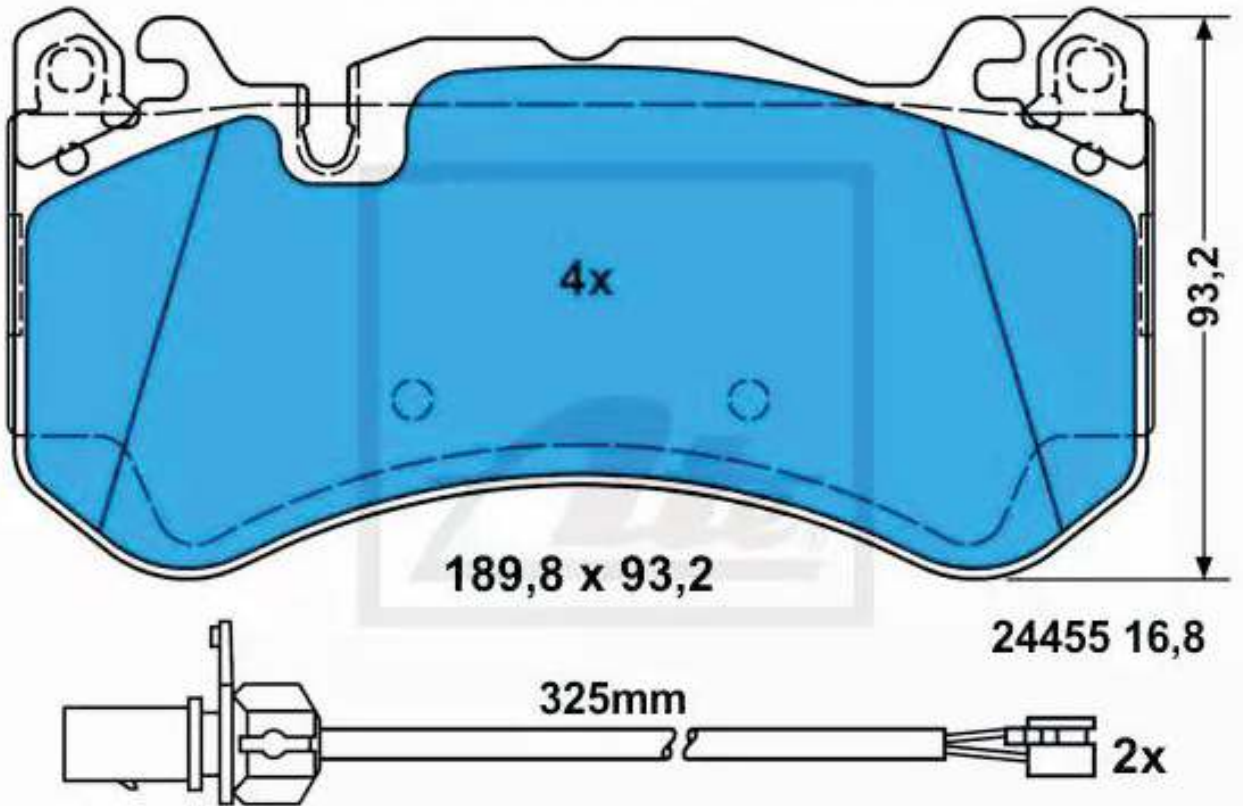
**Thickness
(mm)**

16.5



NOTE

4 identical;



24455

Apply for:

Audi A6
Audi A6 Avant

2004/04-2011/08
2005/03-2011/08

SR0826.01

**Dimension
(mm)**

130.7×43.9

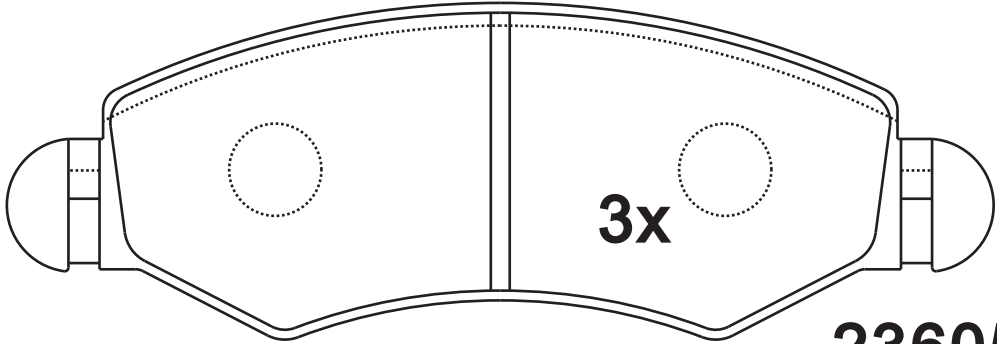
**Thickness
(mm)**

15.7

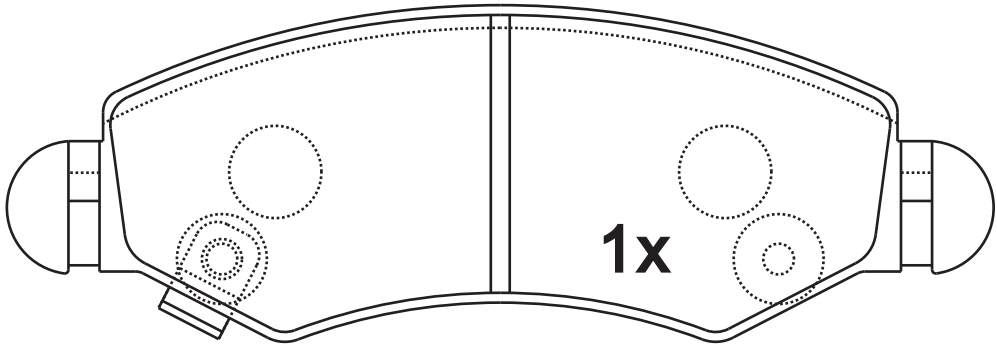


NOTE

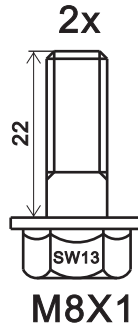
**3 identical; 1 with
acoustic indicator(left).**



23605



23607



Apply for:

SUZUKI Ignis II (Latin America)
SUZUKI Wagon R+ (Latin America)

2004-
2004-

SR0826.02

**Dimension
(mm)**

131×44.5

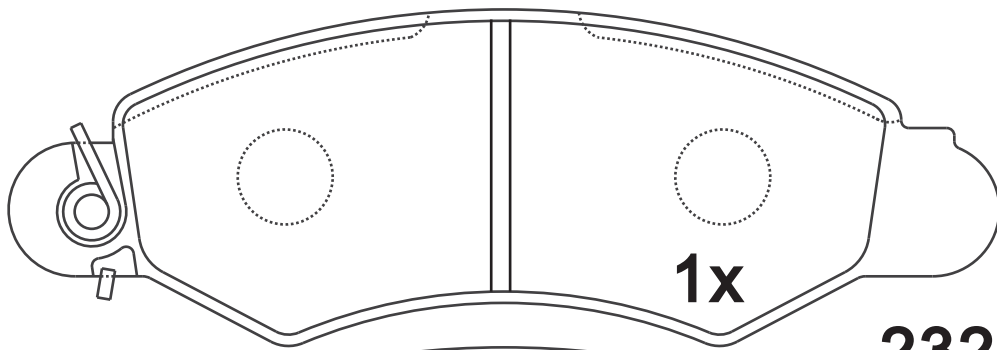
**Thickness
(mm)**

15

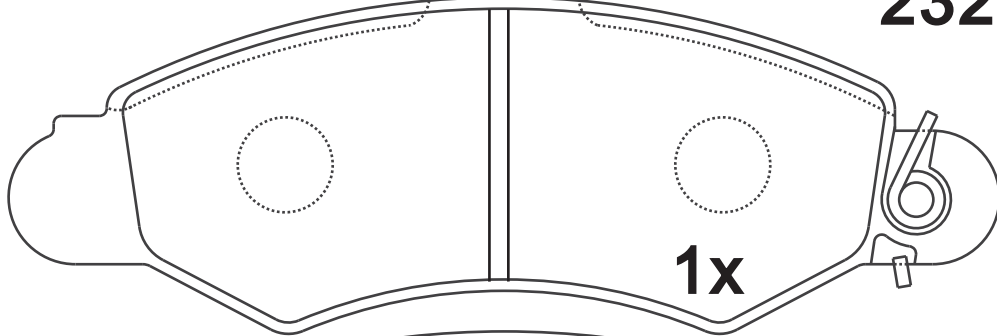


NOTE

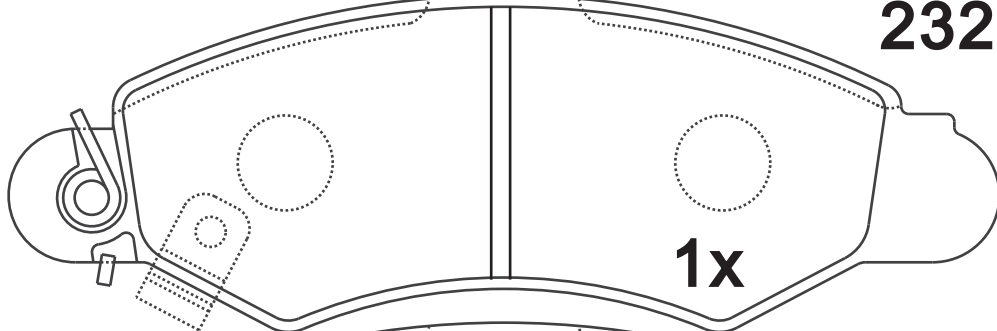
2 identical, 1 with
acoustic indicator(left);
2 identical, 1 with
acoustic indicator(right)



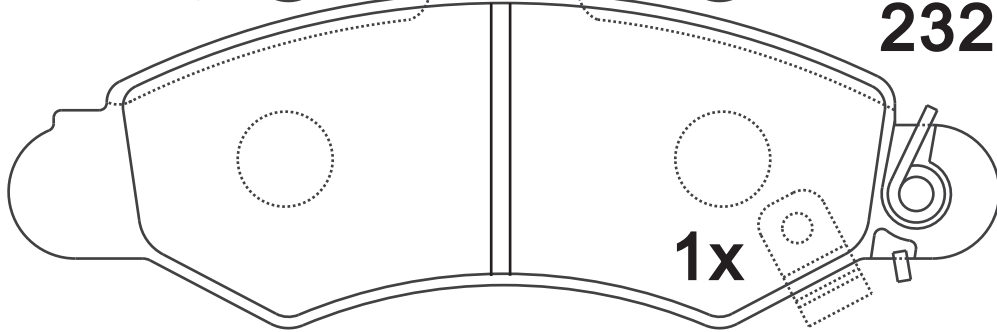
23296



23297



23298



23299

Apply for:

Subaru Justy Ii
Suzuki Swift Ii Hatchback

1995/10-2003/11
1989/03-2005/12

SR0826.03

**Dimension
(mm)**

130.7×43.9

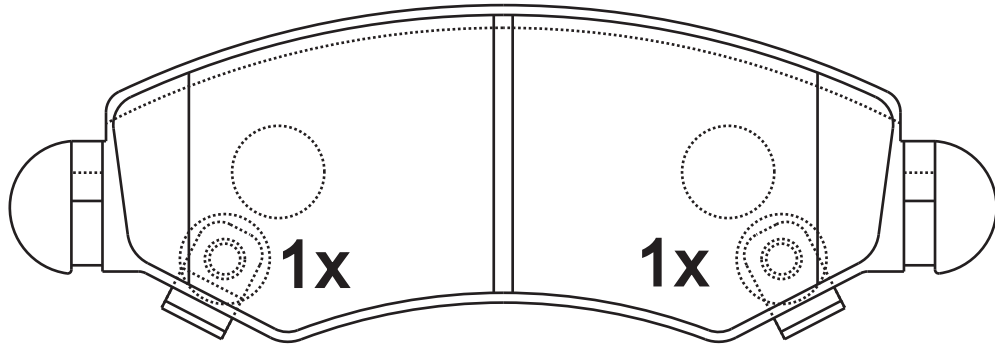
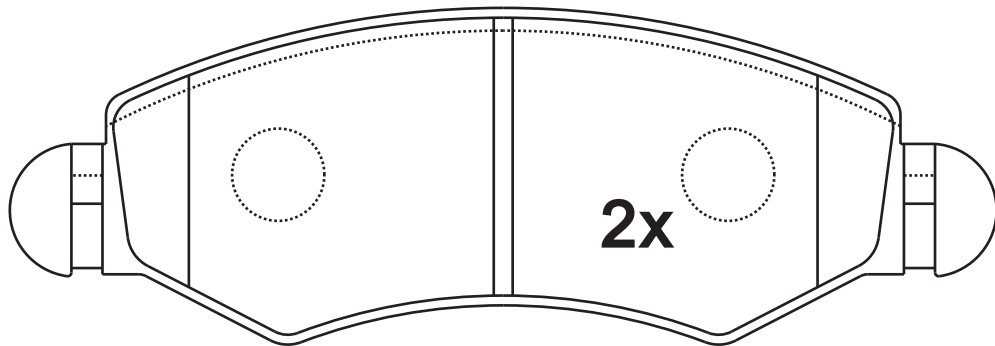
**Thickness
(mm)**

16



NOTE

2 identical; 2 identical, 1 with acoustic indicator (left), 1 with acoustic indicator (right)



GDB3363

Apply for:

SUBARU JUSTY III (G3X) 1.3 AWD (G3X413)

2003-

SUZUKI WAGON R Hatchback 1.2

2004-2005

SR0827.01

**Dimension
(mm)**

95.4×48/47.3

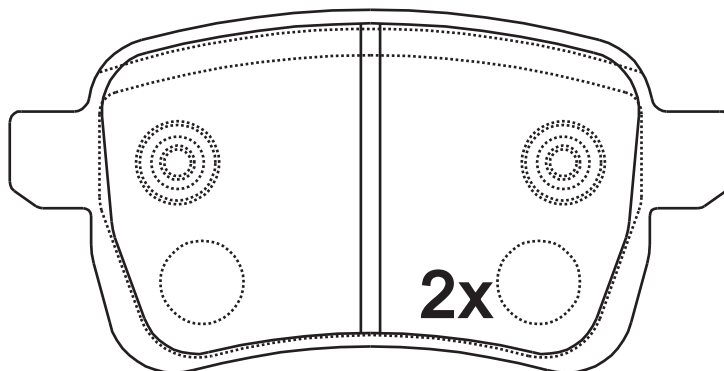
**Thickness
(mm)**

17.4

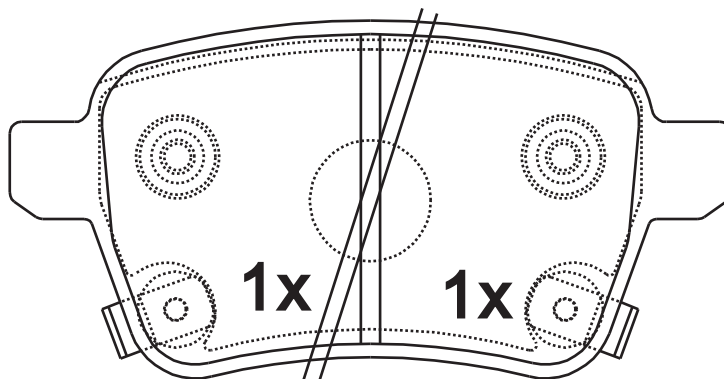


NOTE

2 identical; 2 identical, 1 with acoustic indicator (left), 1 with acoustic indicator (right).



25973



25975

25974

Apply for:

Fiat 500L

2014-

SR0827.02

**Dimension
(mm)**

95.4×48

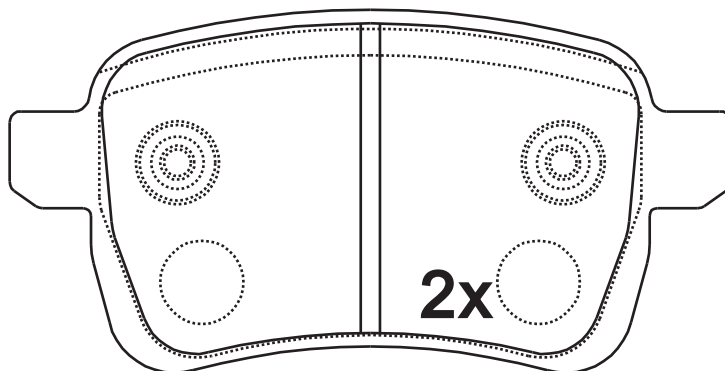
**Thickness
(mm)**

17.7

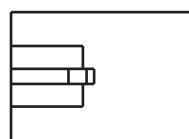
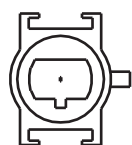


NOTE

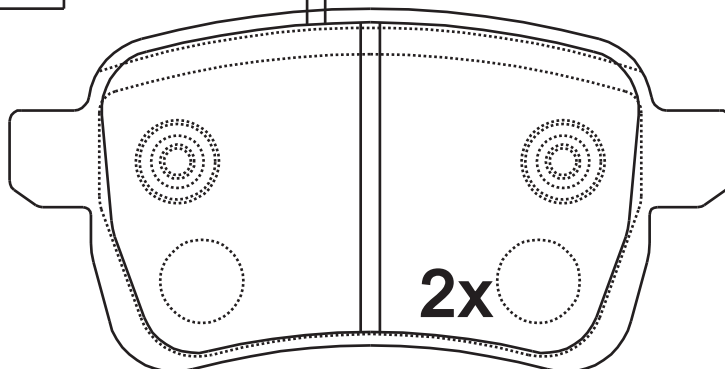
**4 identical, 1 with spring
and warnindicator**



25156



X0013D 190mm



25157

Apply for:

ALFA ROMEO GIULIETTA (940)

2010/04-

SR0827

**Dimension
(mm)**

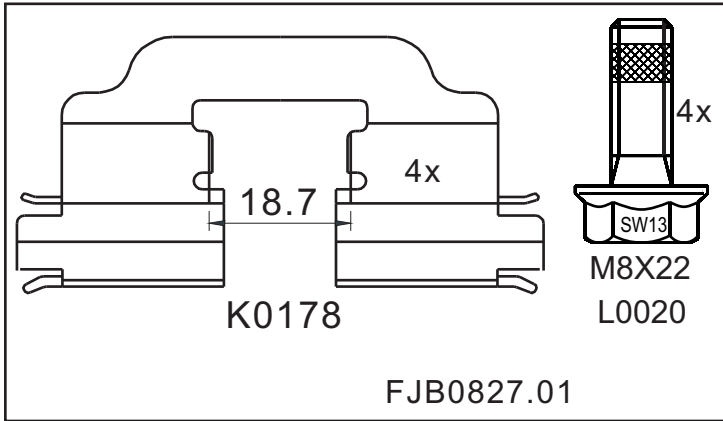
**Thickness
(mm)**



NOTE

附件包

Accessory kit



SR0828.01

**Dimension
(mm)**

156.3×71.4
155×68.9

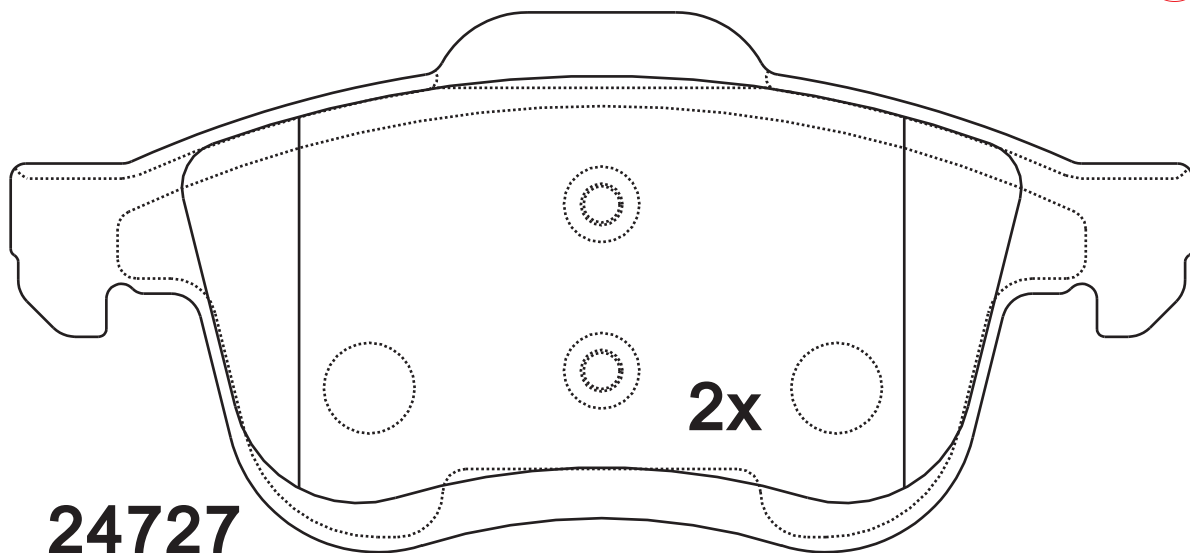
**Thickness
(mm)**

20.3

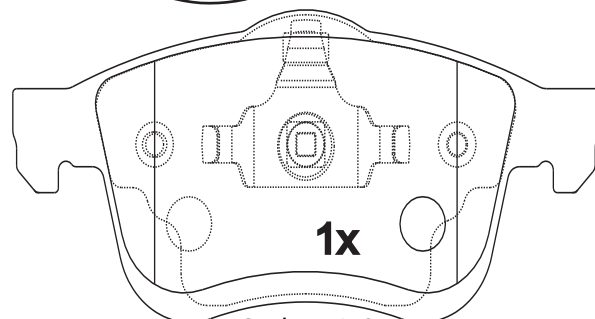


NOTE

2 identical; 2 identical, 1 with spring and warn indicator.

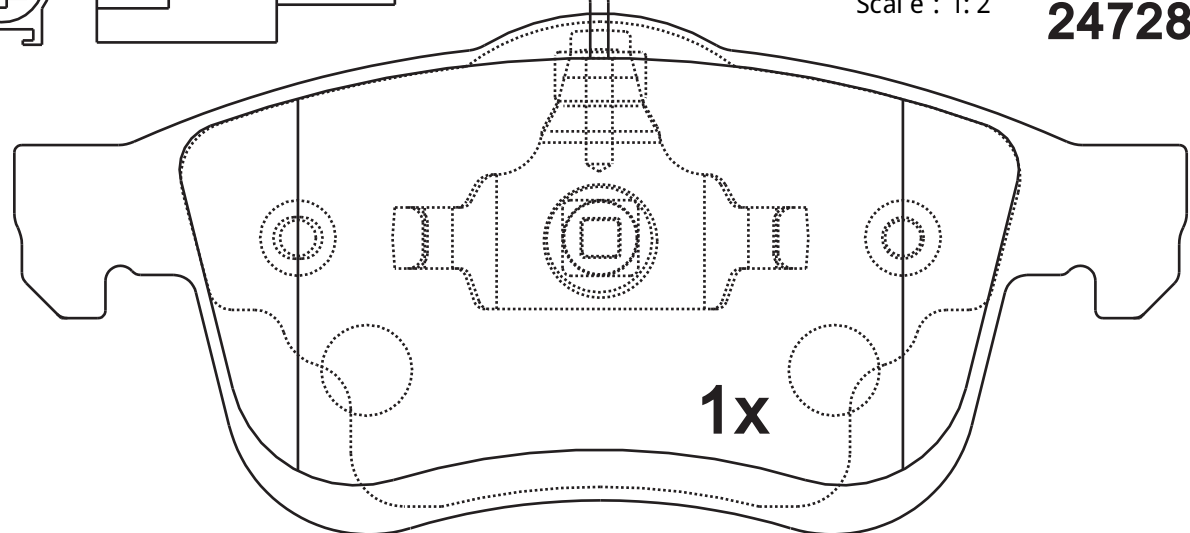
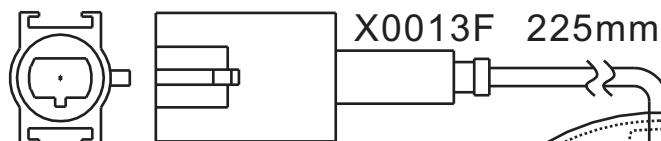


24727



Scale : 1:2

24728



1x

Apply for:

Fiat DOBLO Box Body/Estate (263)

Fiat DOBLO Combi (152, 263)

Fiat DOBLO Platform/Chassis (263)

Lancia DELTA III (844)

2010/02-

2009/11-

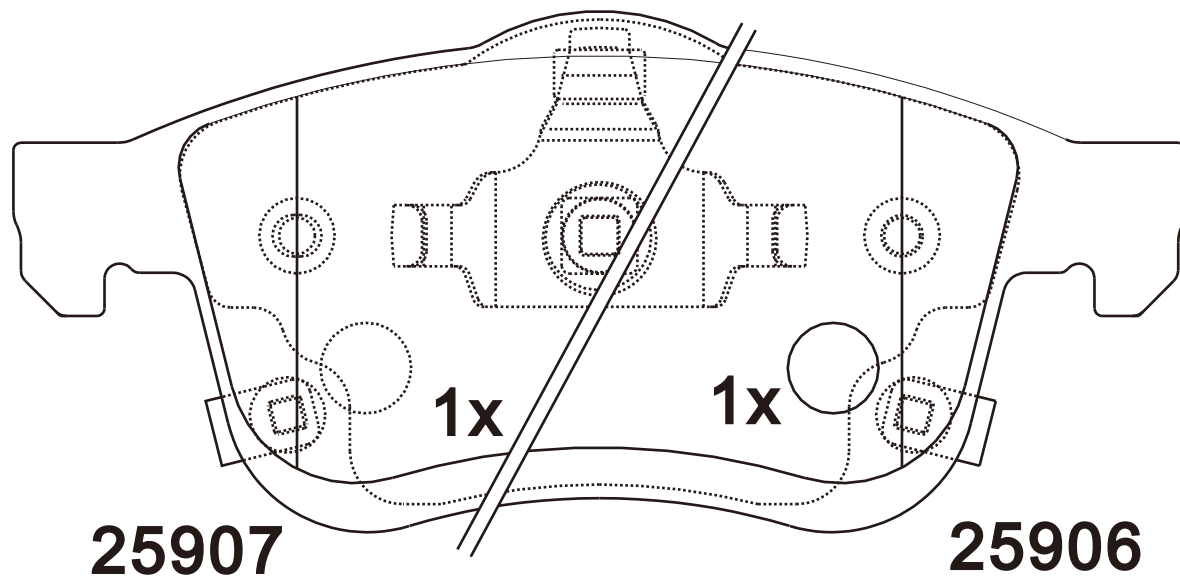
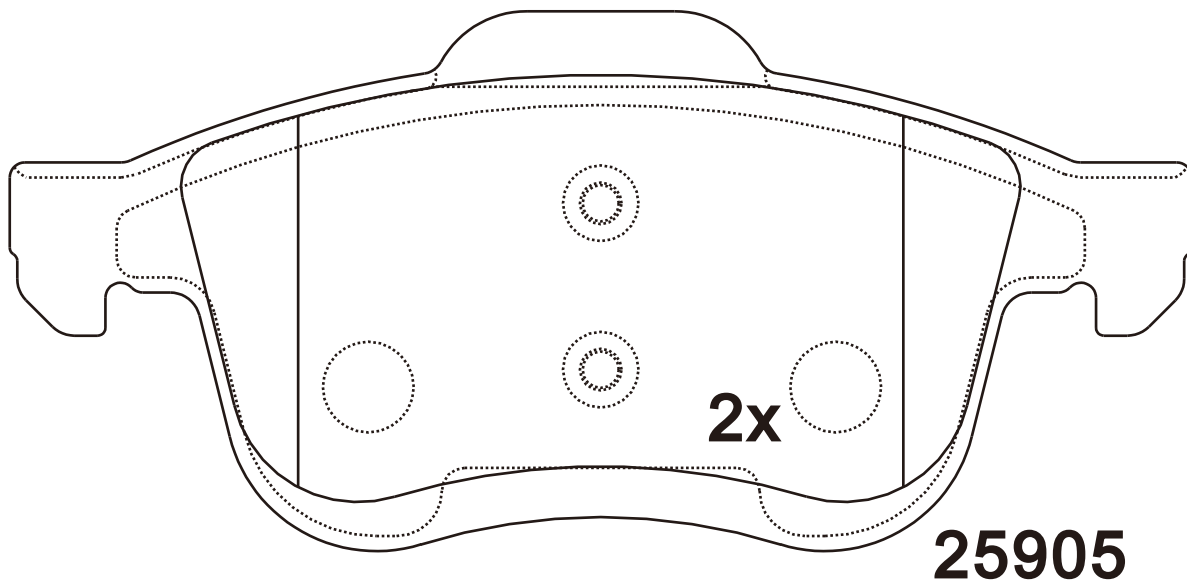
2010/02-

2008/08-

SR0828.02

Dimension (mm)	Thickness (mm)	
156.3×71.4 155×68.9	20	

NOTE
2 identical;2 identical,1 with acoustic indicator (left),1 with acoustic indicator(right).



Apply for:

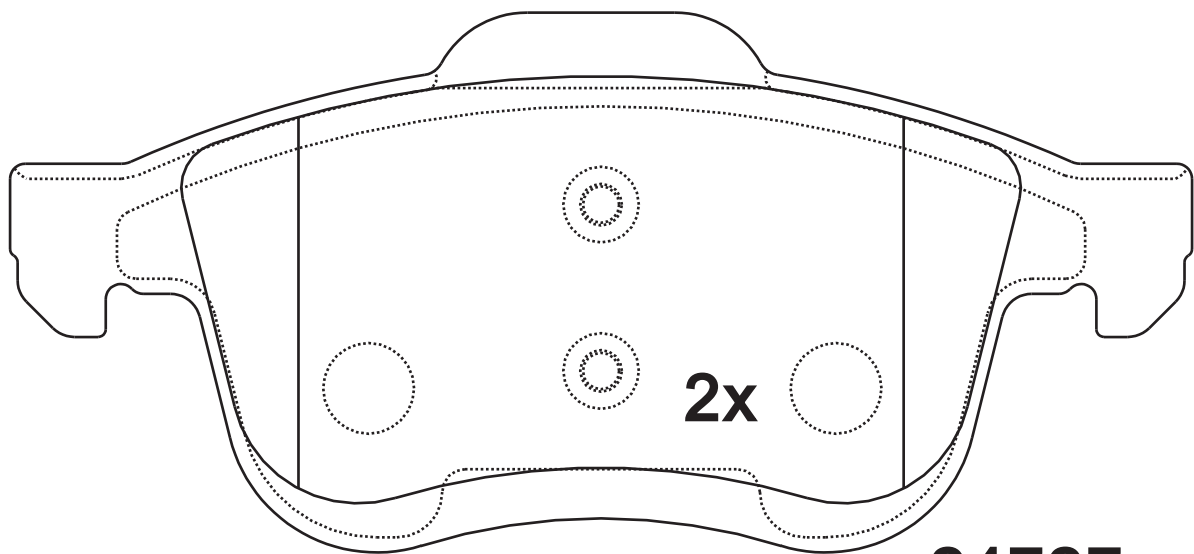
Fiat 500L

2014-

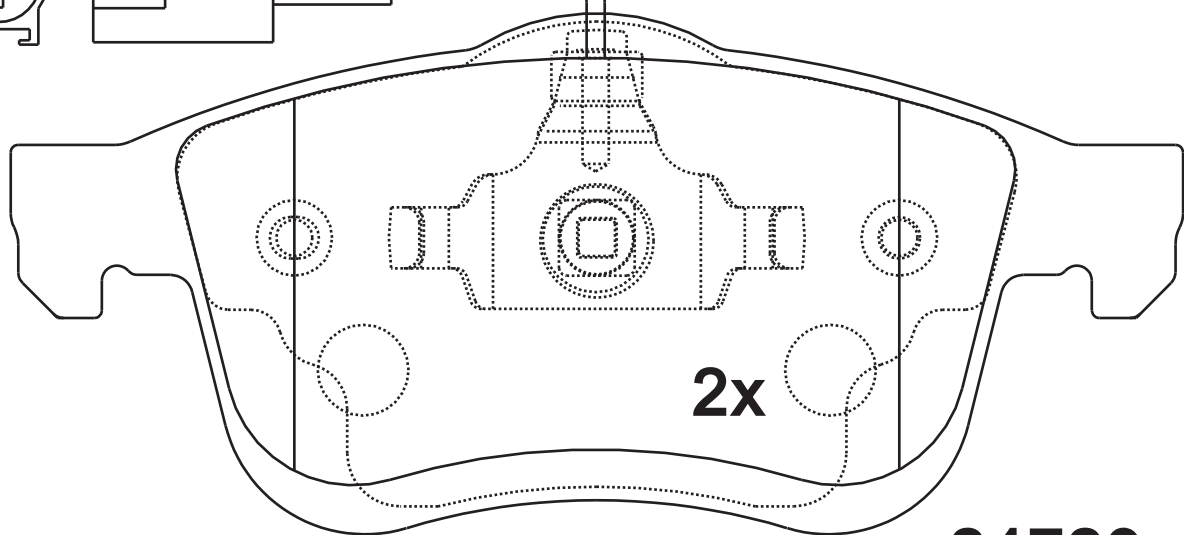
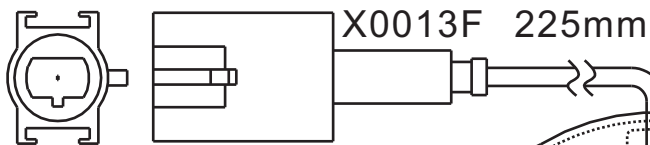
SR0828.03

Dimension (mm)	Thickness (mm)	
156.3×71.4 155×68.9	20.3	

NOTE
2 identical; 2 identical, 1 with spring and warn indicator.



24727



24729

Apply for:

Fiat DOBLO Box Body/Estate (263)
Fiat DOBLO Combi (152, 263)
Fiat DOBLO Platform/Chassis (263)
Lancia DELTA III (844)

2010/02-
2009/11-
2010/02-
2008/08-

SR0828.04

**Dimension
(mm)**

**Thickness
(mm)**



NOTE

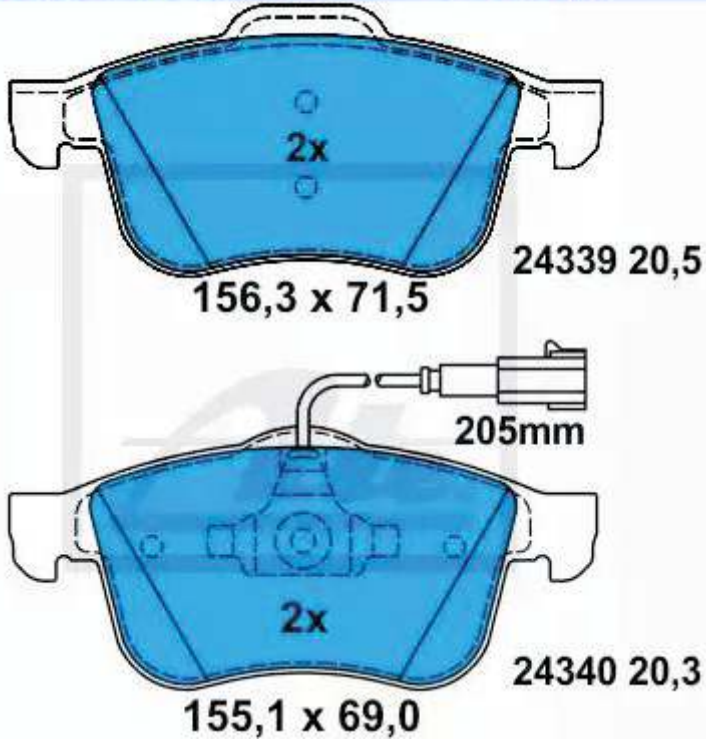
2 identical; 2 identical

156.3×71.4
155×68.9

20.3



13.0460-7211.2 607211



Apply for:

Alfa Romeo 159 (939_)

2005/06-2012/12

Alfa Romeo 159 Sportwagon (939_)

2005/06-2012/12

SR0828.05

**Dimension
(mm)**

**Thickness
(mm)**

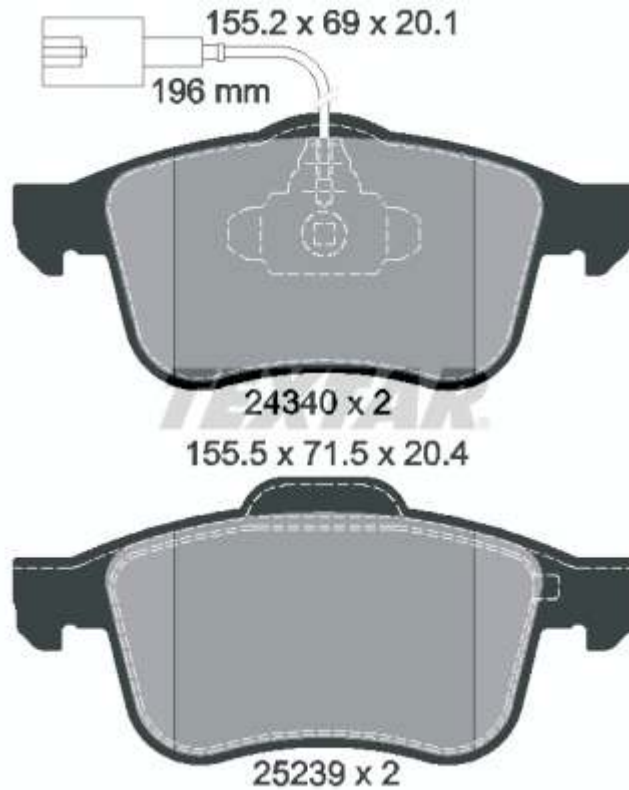


NOTE

2 identical;2 identical

156.3×71.4
155×68.9

20.3



Apply for:

Alfa Romeo Spider (939_)

2006/03-2011/03

Alfa Romeo 159 Sportwagon (939_)

2005/06-2012/12

SR0828

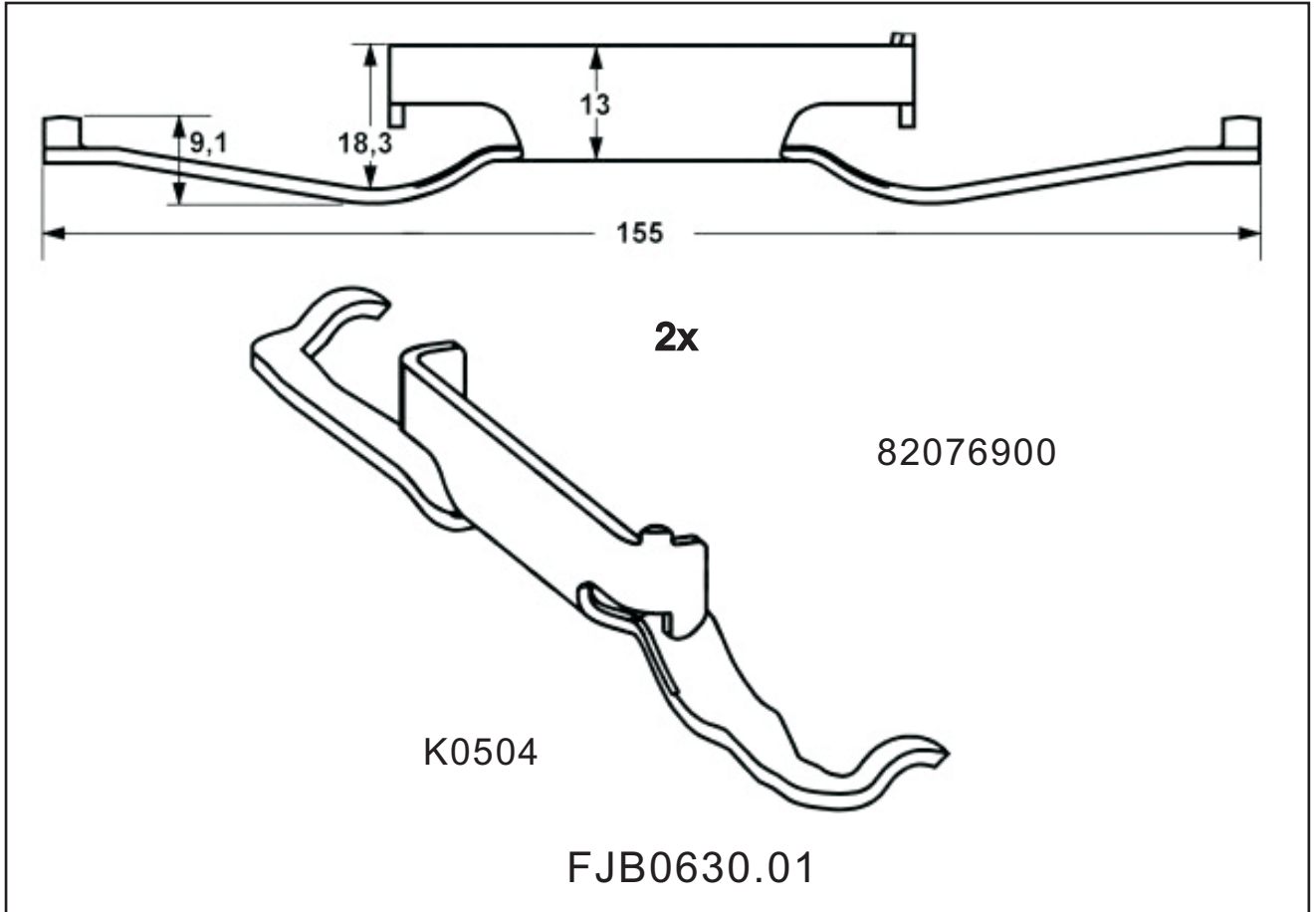
**Dimension
(mm)**

**Thickness
(mm)**



NOTE

附件包
Accessory bag



SR0829.01

**Dimension
(mm)**

163.2×64.3

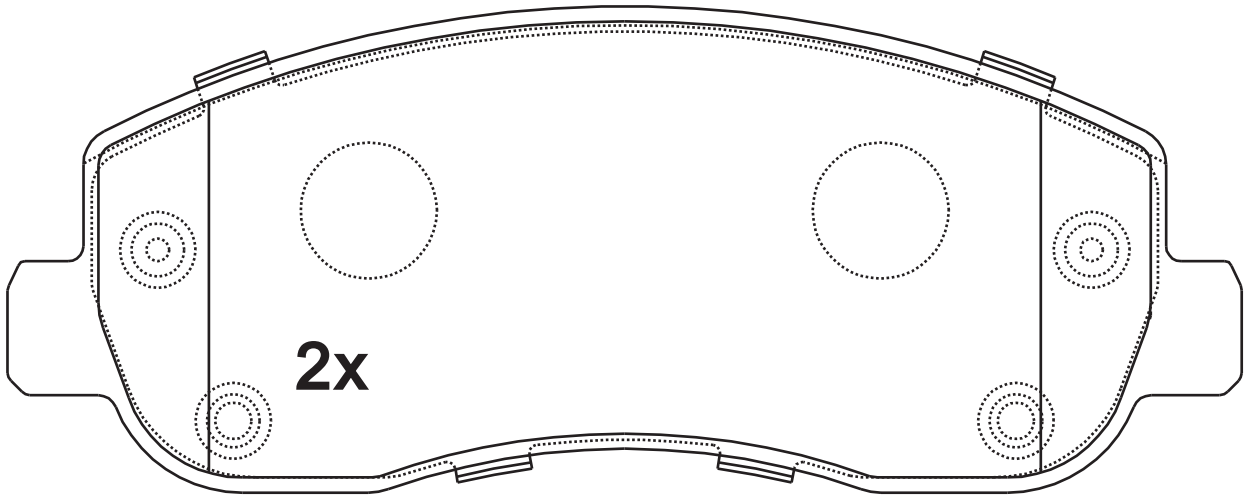
**Thickness
(mm)**

18.4

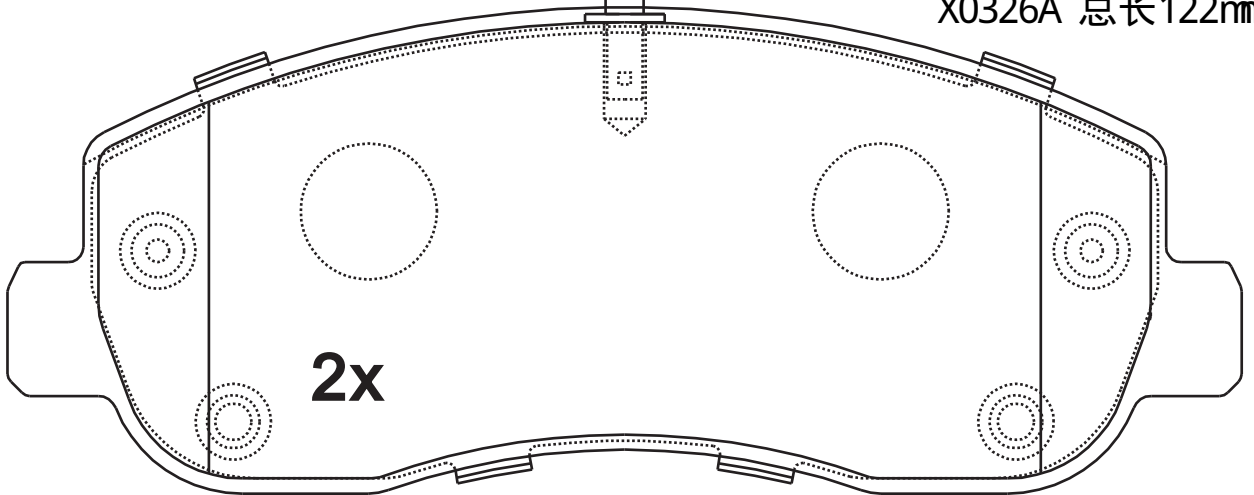
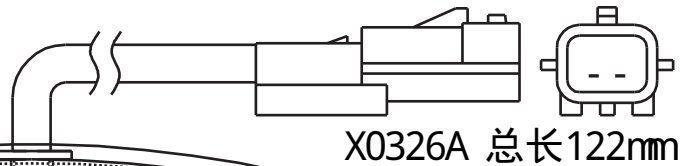


NOTE

**2 identical; 2 identical
with warn indicator.**



25147



25148

Apply for:

Nissan NV400 Box	2011/11-
Nissan NV400 Bus	2011/11-
Nissan NV400 Platform/Chassis	2011/11-
Renault MASTER Platform/III Chassis (EV and HV, UV)	2010/02-
Vauxhall MOVANO Mk II (B) Chassis/Cab	2010/05-

SR0829.02

**Dimension
(mm)**

**Thickness
(mm)**

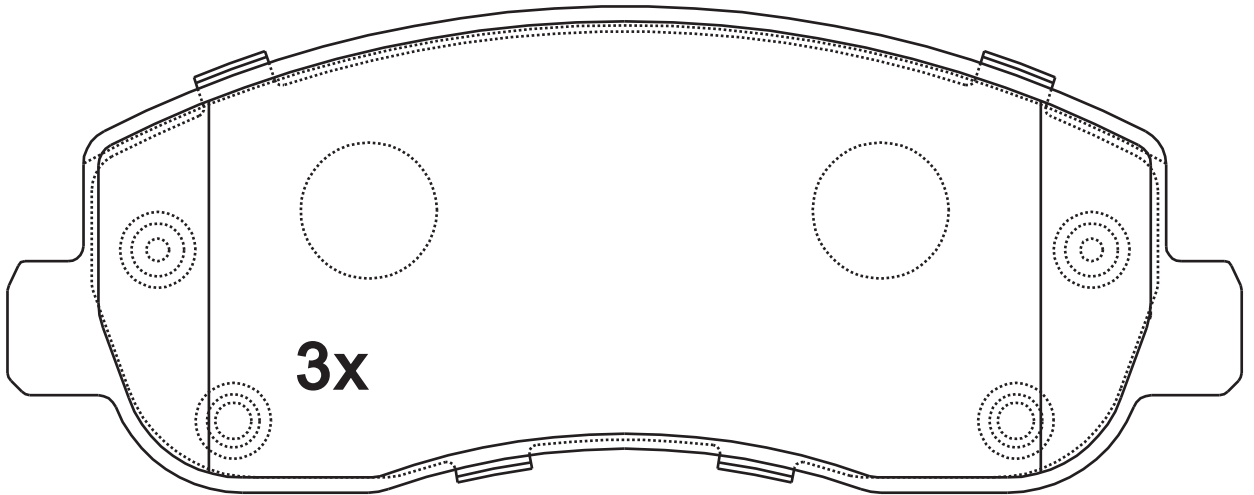


NOTE

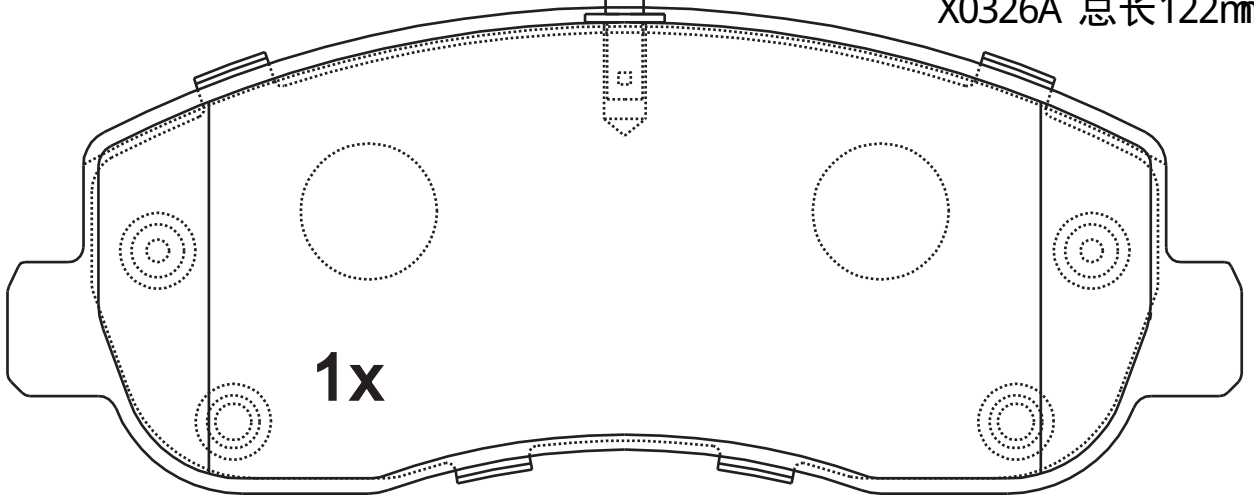
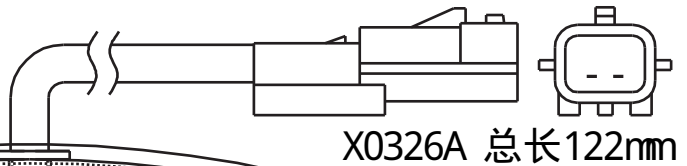
**2 identical; 2 identical
with warn indicator.**

163.2×64.3

18.4



25147



25165

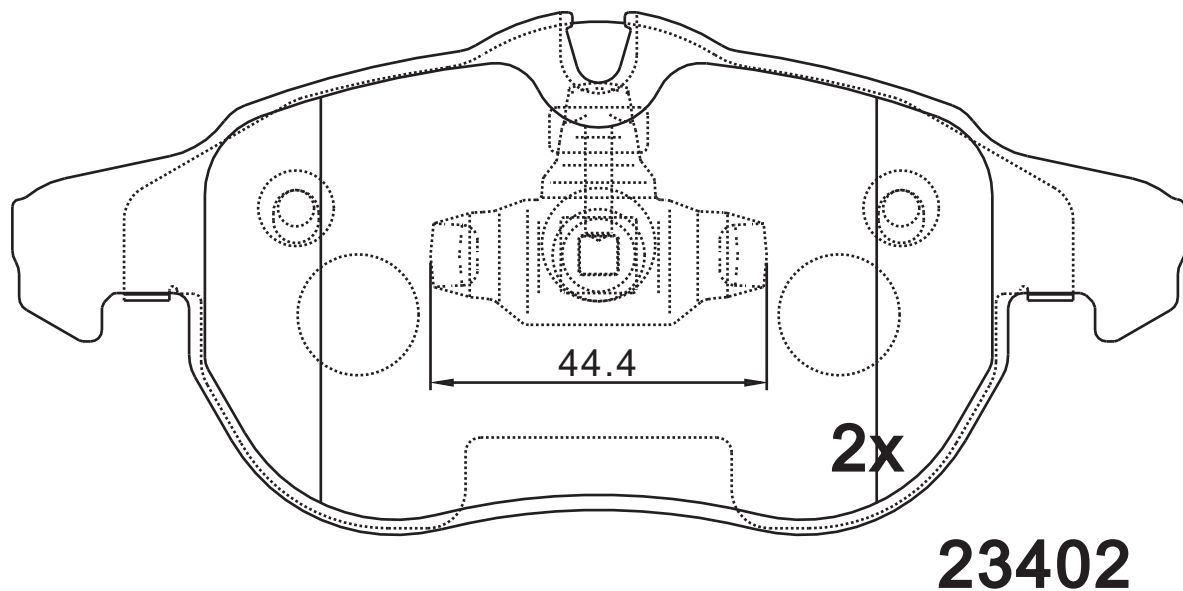
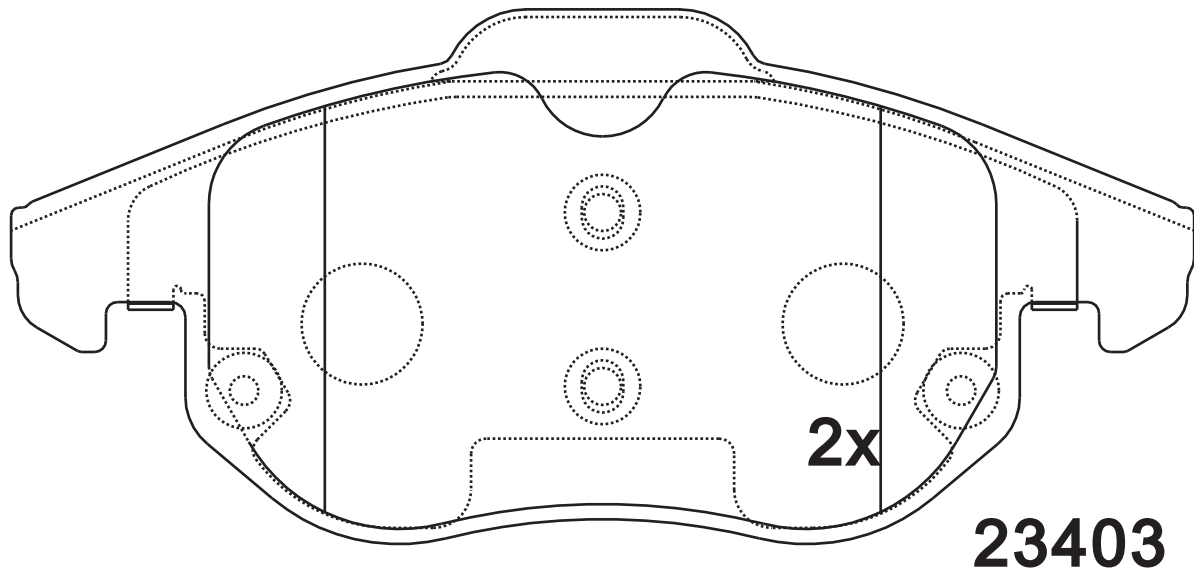
Apply for:

Nissan NV400 Box	2011/11-
Nissan NV400 Bus	2011/11-
Nissan NV400 Platform/Chassis	2011/11-
Renault MASTER Platform/III Chassis (EV and HV, UV)	2010/02-
Vauxhall MOVANO Mk II (B) Chassis/Cab	2010/05-

SR0830.01

Dimension (mm)	Thickness (mm)	
156.4×70.7 155×69.1	20	

NOTE
2 identical;2 identical with spring .



Apply for:

SAAB 9-3 16" Wheels
SAAB 9-3
SAAB 9-3 Front 302mm Rotor
SAAB 9-3X Front 302mm Rotor

2004-2005
2003
2006-2011
2010-2011

SR0830

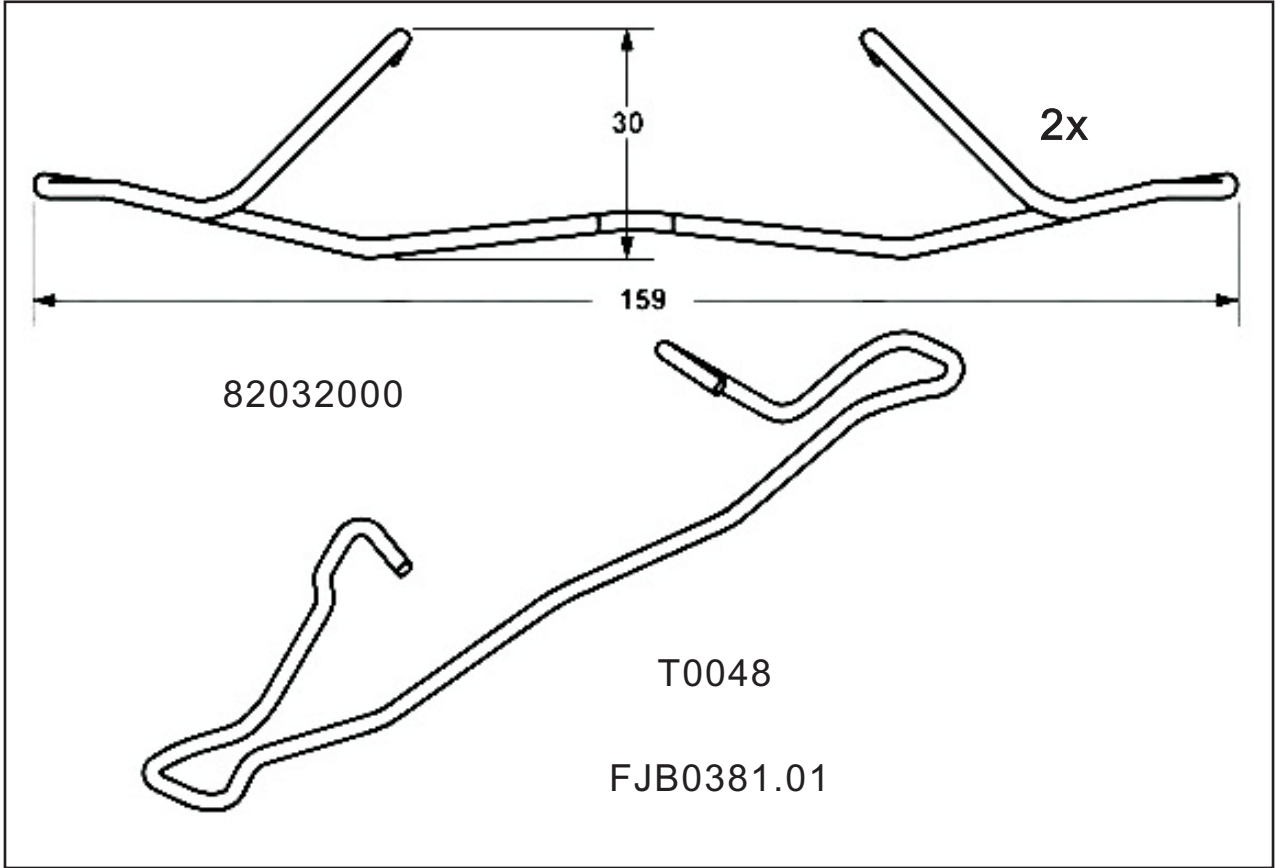
**Dimension
(mm)**

**Thickness
(mm)**



NOTE

附件包
Accessory bag



SR0831.01

**Dimension
(mm)**

**Thickness
(mm)**

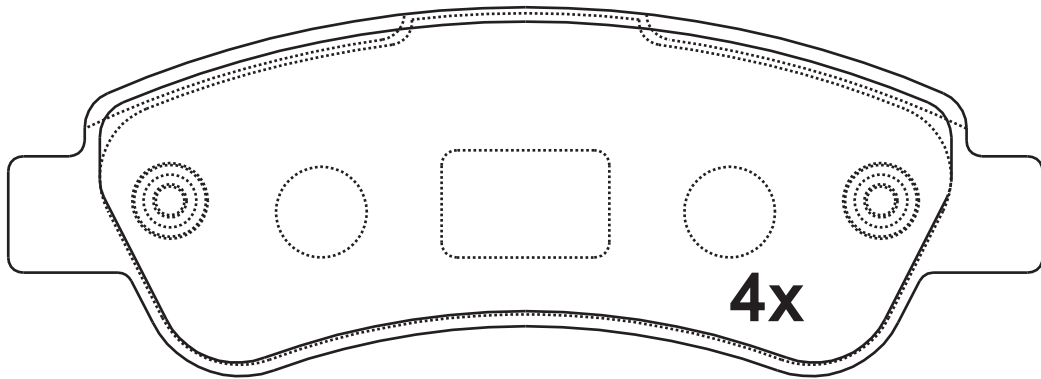


NOTE

4 identical;

136.8×48.8

18.8



24465

Apply for:

Fiat Ducato (Latin America)

2008-2010

SR0831.02

**Dimension
(mm)**

136.8×48.9

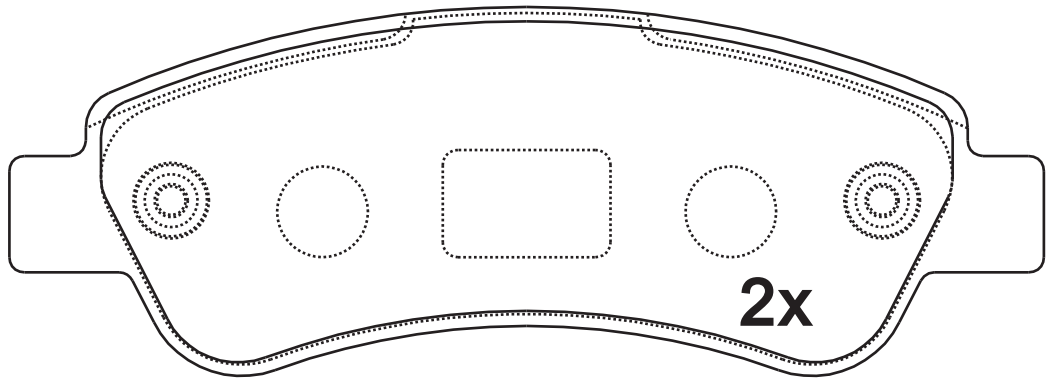
**Thickness
(mm)**

18.8

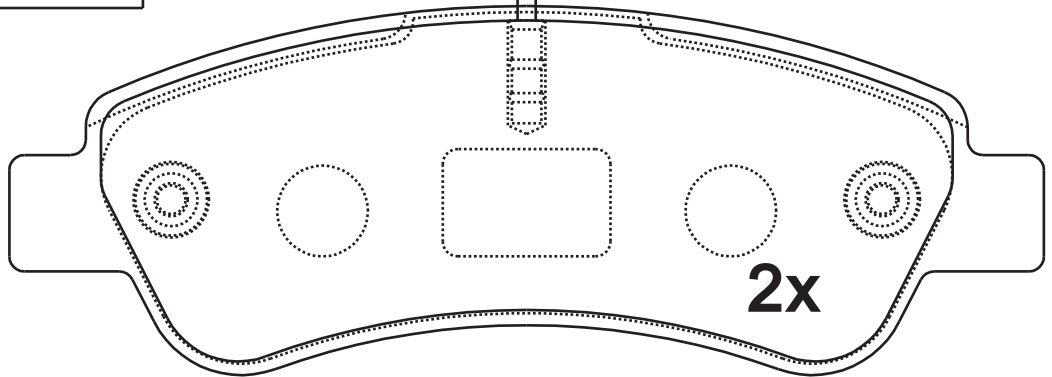
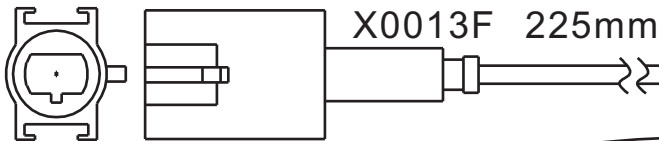


NOTE

**4 identical, 2 identical
with warn indicator.**



GDB2068



Apply for:

Fiat Ducato (Latin America)

2008-2010

SR0831

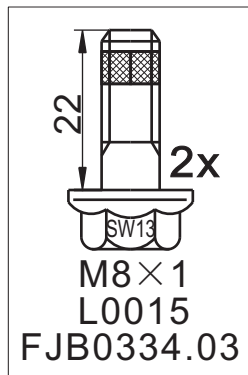
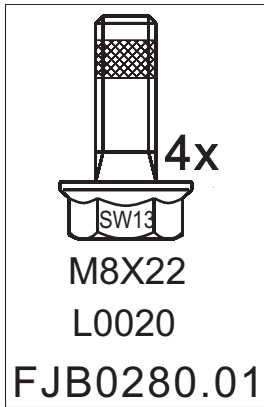
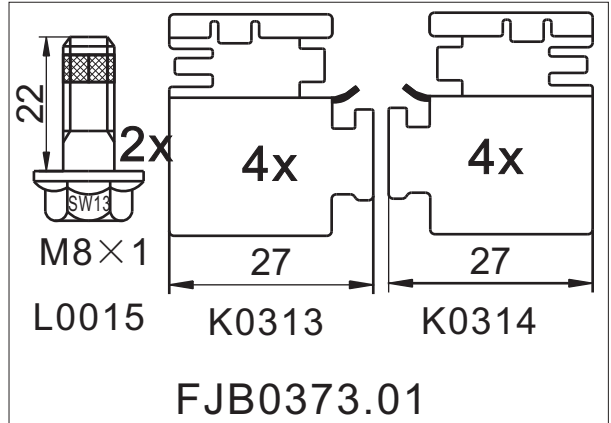
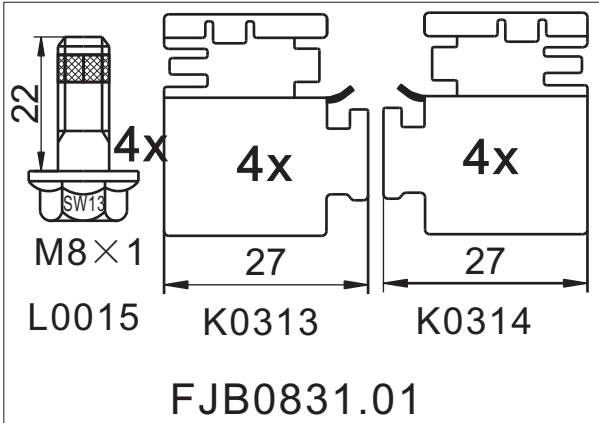
**Dimension
(mm)**

**Thickness
(mm)**



NOTE

附件包
Accessory bag



SR0832.01

**Dimension
(mm)**

**Thickness
(mm)**

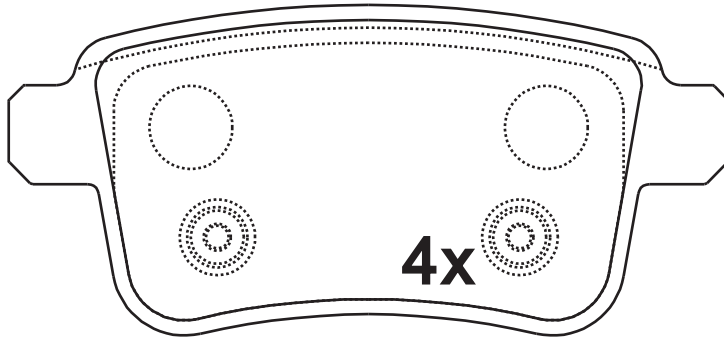


NOTE

4 identical;

95.2×43.7

15.9



24692

Apply for:

Mercedes CITAN Box (415)
Mercedes CITAN Tila - Auto (415)
Renault KANGOO MPV (KC0/1 _)
Renault KANGOO BE BOP (KW0/1 _)

2012/11-
2012/11-
1997/08-
2009/02-

SR0832

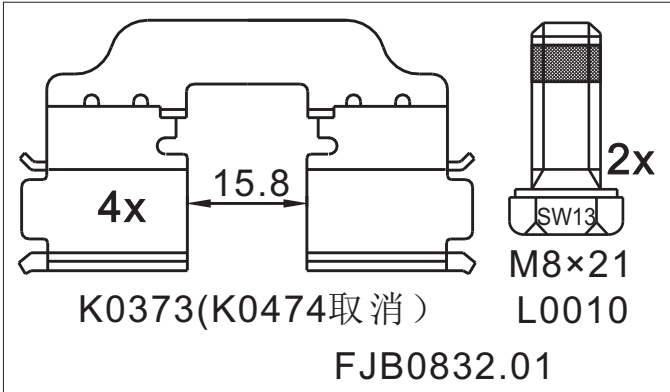
**Dimension
(mm)**

**Thickness
(mm)**



NOTE

**附件包
Accessory bag**



SR0833.01

**Dimension
(mm)**

164.8×65.5

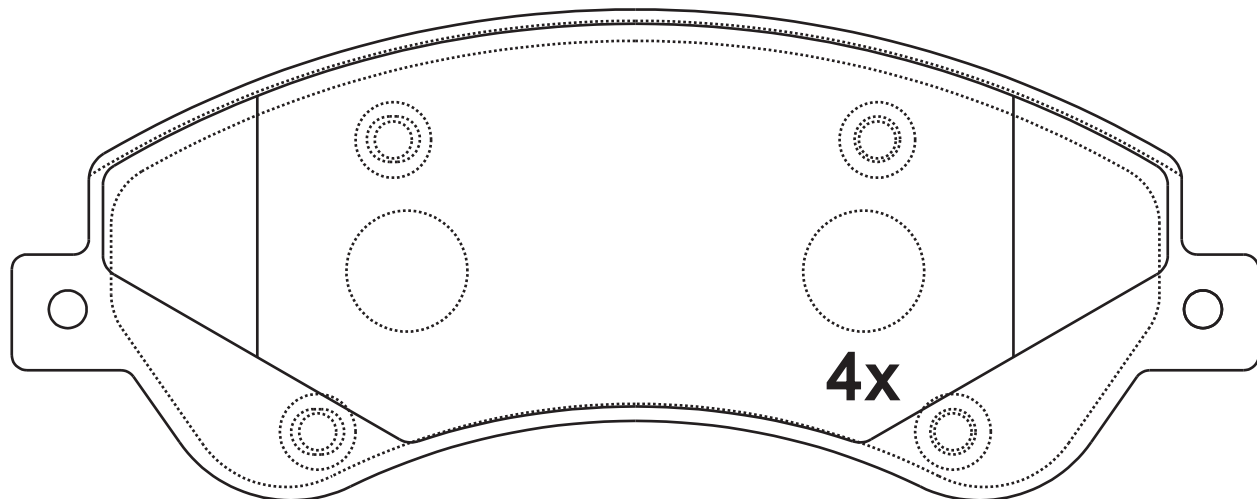
**Thickness
(mm)**

19

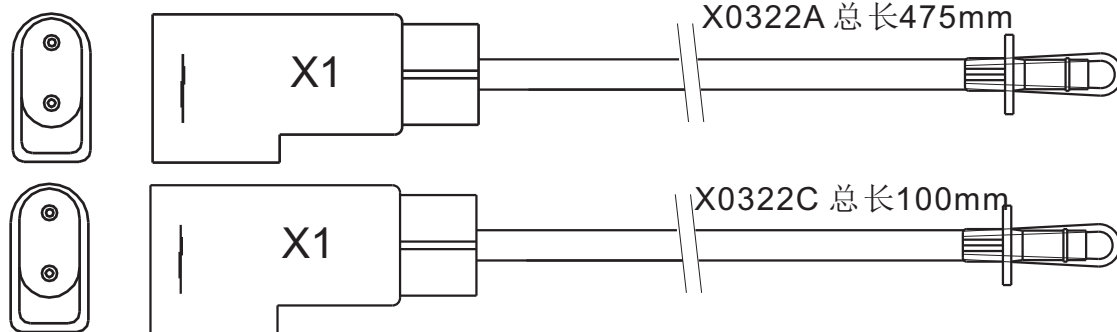


NOTE

4 identical, 1 identical with wear warning contact: 475mm, 1 identical with wear warning contact: 100mm.



24485



FJB1X0322A1X0322C

Apply for:

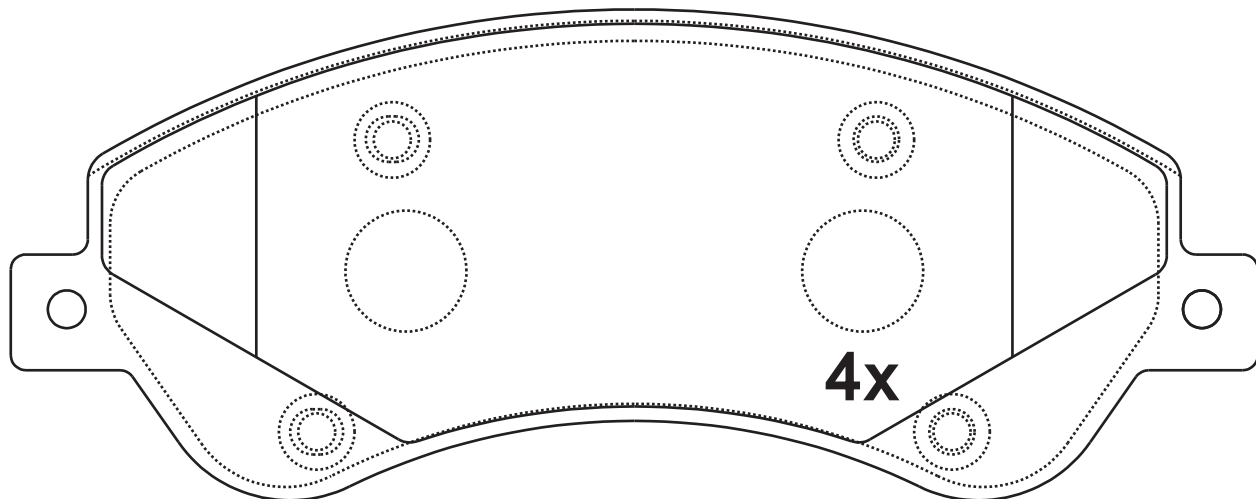
Ford truck Transit (Latin America)

2006-2012

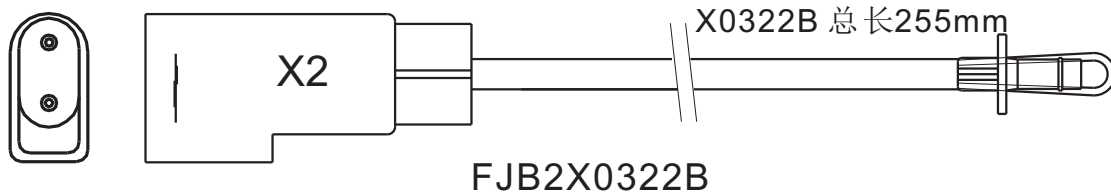
SR0833.02

Dimension (mm)	Thickness (mm)	
164.8×65.5	19	

NOTE
4 identical, 2 identical with wear warning contact: 255mm



24485



Apply for:

Ford truck Transit (Latin America)

2006-2012

SR0833

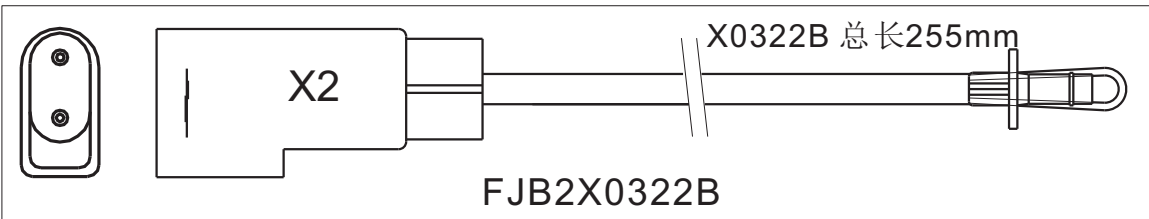
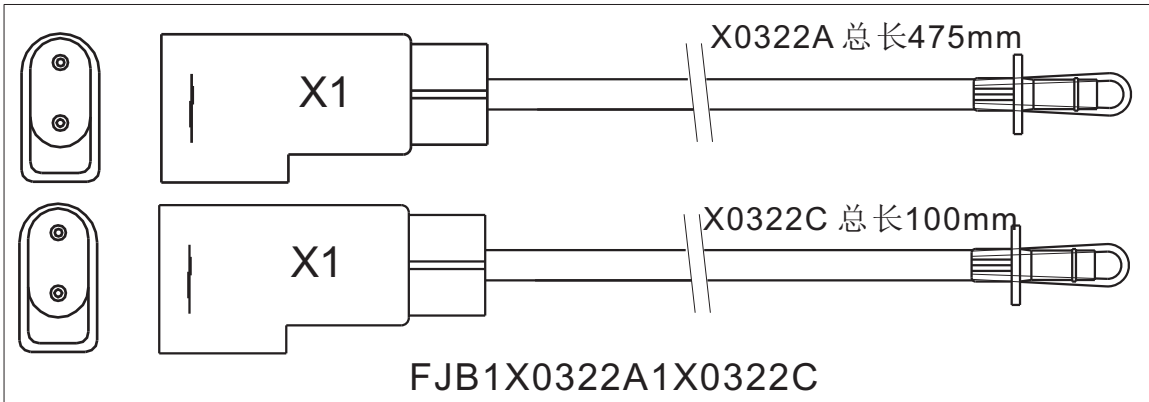
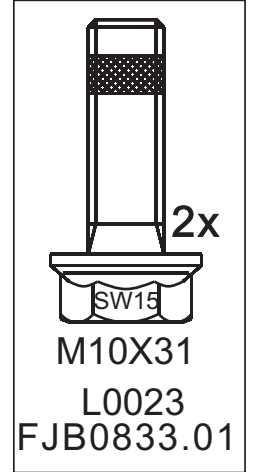
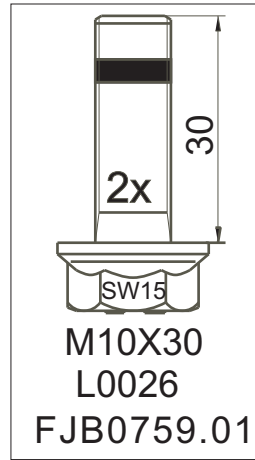
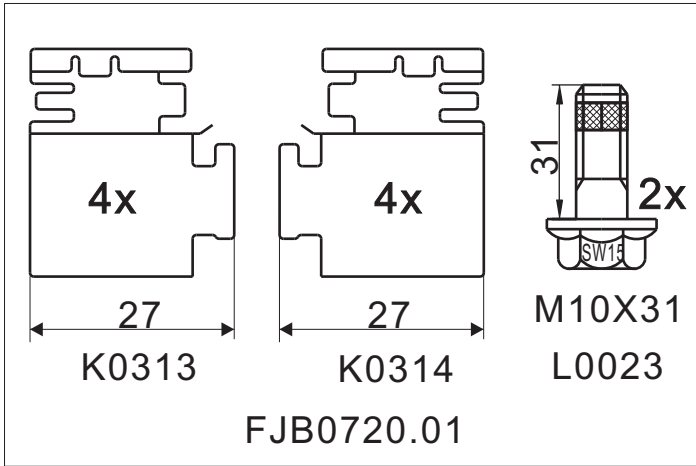
**Dimension
(mm)**

**Thickness
(mm)**



NOTE

附件包
Accessory bag



SR0834.01

**Dimension
(mm)**

141.8×59.2

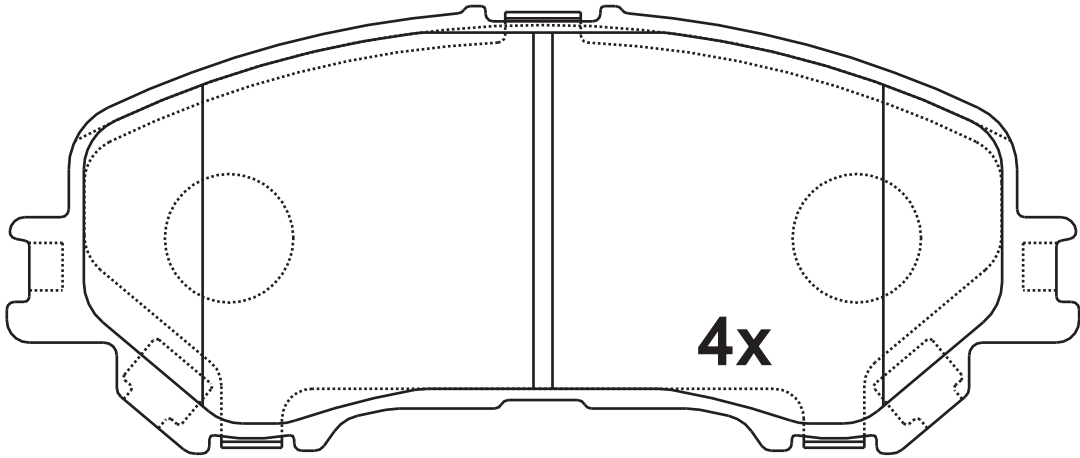
**Thickness
(mm)**

16.8



NOTE

4 identical;



22065/25970

Apply for:

NISSAN Rogue 2 Row Seating

2014

SR0835.01

**Dimension
(mm)**

163.3×63

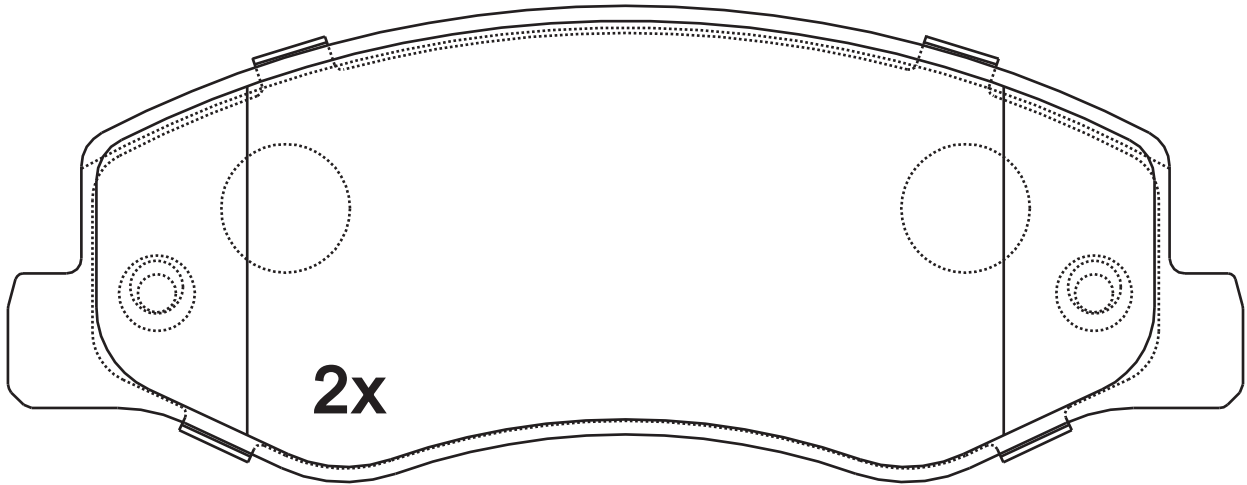
**Thickness
(mm)**

18



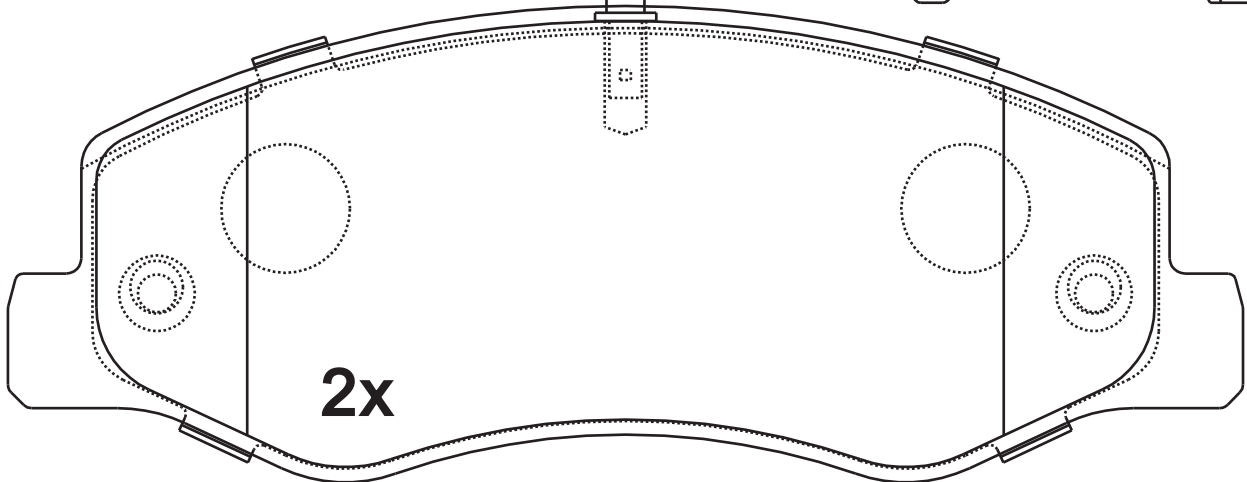
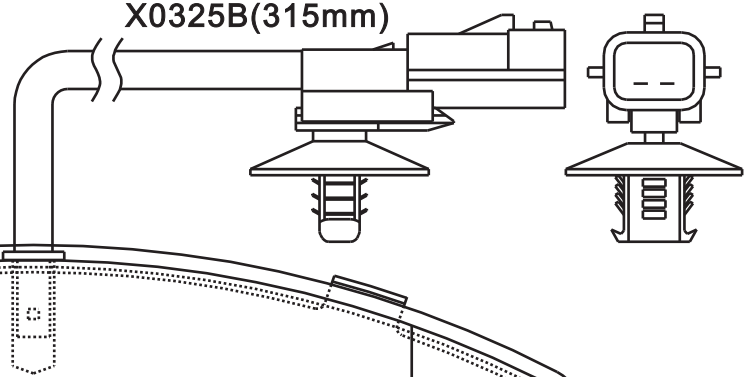
NOTE

**4 identical, 2 identical
with warn indicator.**



25172

X0325B(315mm)



25173

Apply for:

Opel Movano B Box (X62)
Renault Master Iii Box (Fv)
Vauxhall Movano Mk Ii (B) Chassis/Cab (X62)

2010/05-
2010/02-
2010/05-

SR0835.02

**Dimension
(mm)**

163.3×63

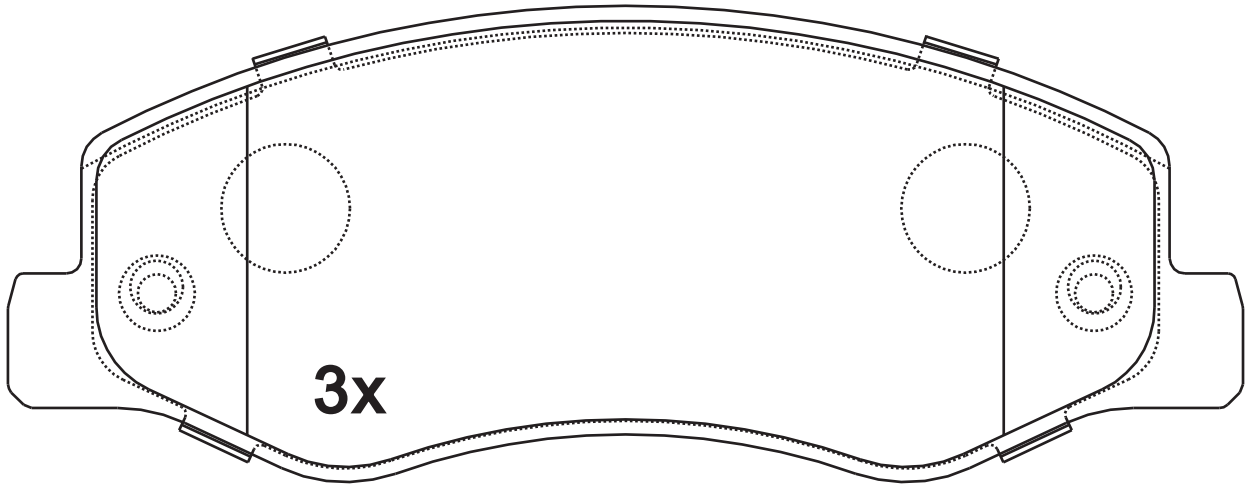
**Thickness
(mm)**

18



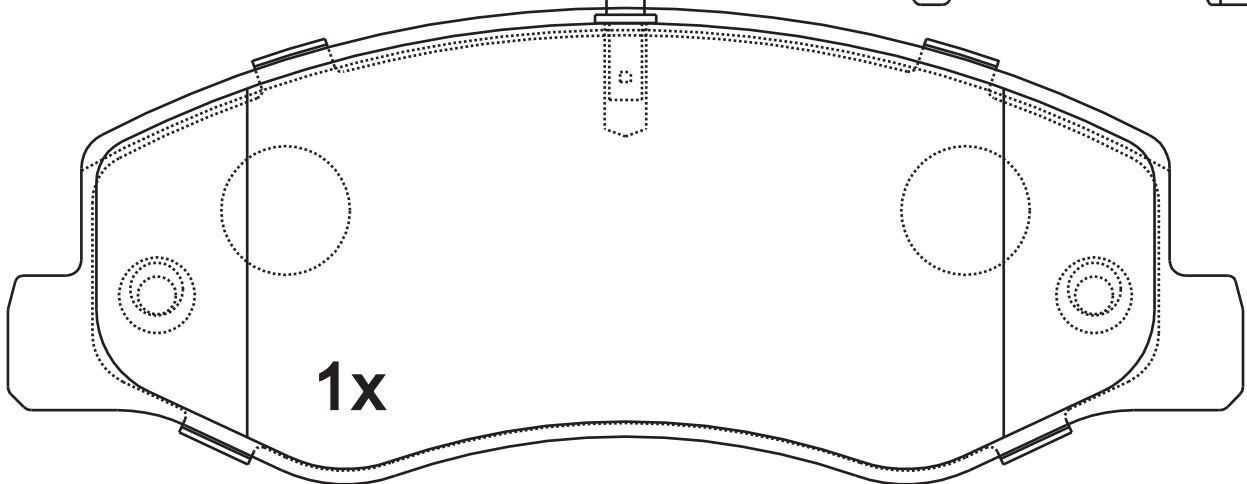
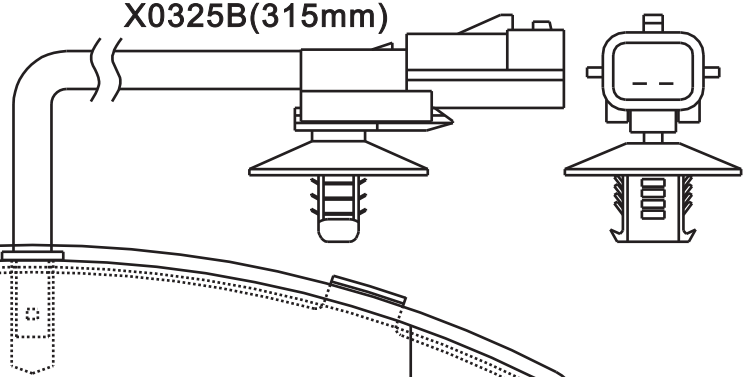
NOTE

**4 identical, 2 identical
with warn indicator.**



25172

X0325B(315mm)



25173

Apply for:

Opel Movano B Box (X62)

2010/05-


Renault Master Iii Box (Fv)

2010/02-

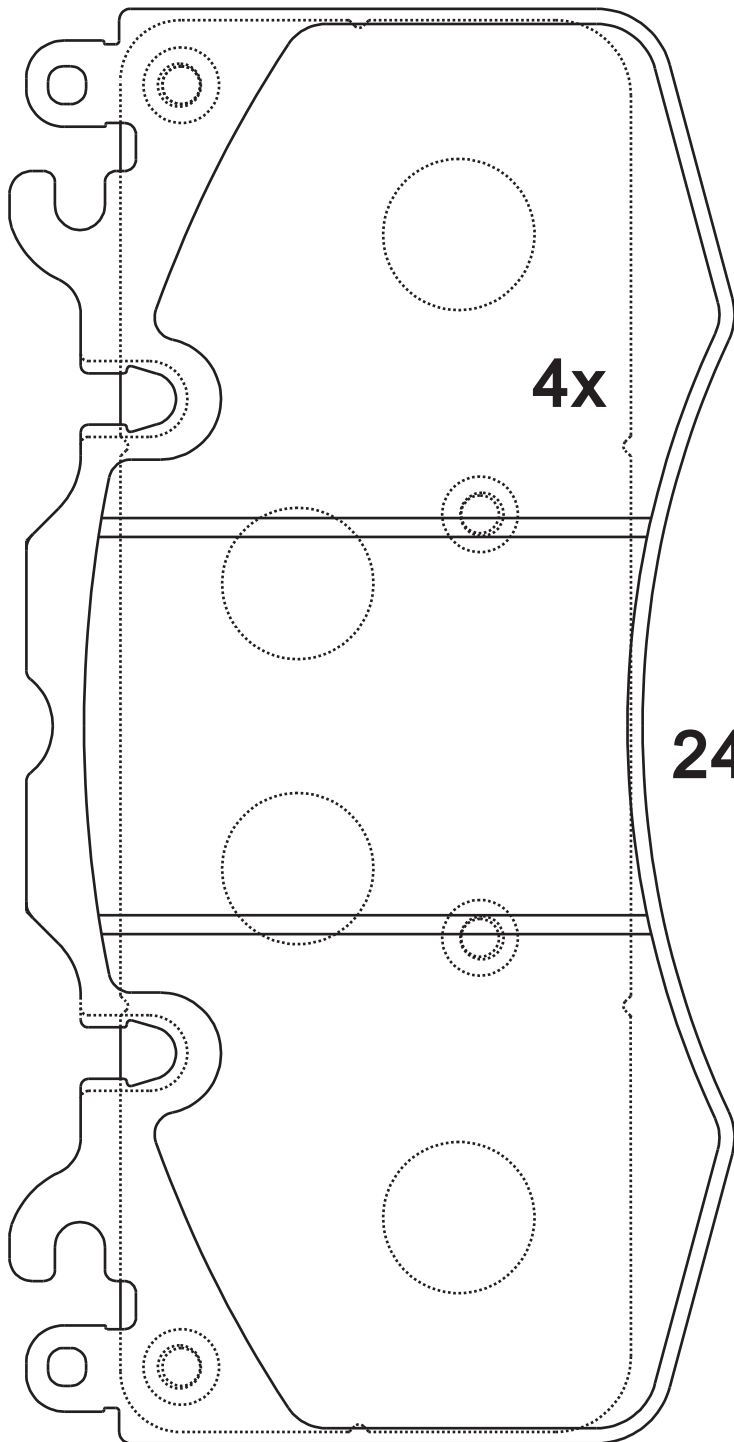
Vauxhall Movano Mk Ii (B) Chassis/Cab (X62)

2010/05-

SR0836.01

Dimension (mm)	Thickness (mm)	
189.7×95.8	16.8	

NOTE
4 identical;



Apply for:

- Land ROVER Range Rover 2013
- Land ROVER Range Rover Sport Supercharged 2010-2014
- Land ROVER Range Rover Supercharged 2010-2012
- Land ROVER Range Rover Supercharged 2014

SR0836

**Dimension
(mm)**

**Thickness
(mm)**



NOTE

**附件包
Accessory bag**



2x



X0233A总长1184mm

FJB2X0233A

SR0837.01

**Dimension
(mm)**

121.5×45.1

**Thickness
(mm)**

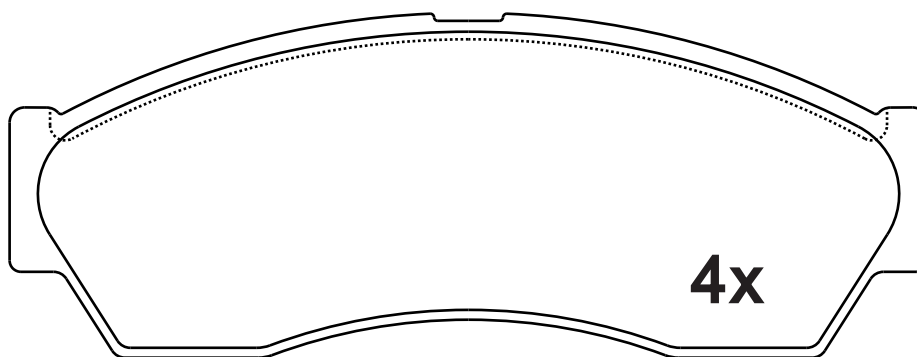
16



NOTE

4 identical;

无模具



24555

Apply for:

Rover Cityrover

2004/01-2005/06

SR0838.01

**Dimension
(mm)**

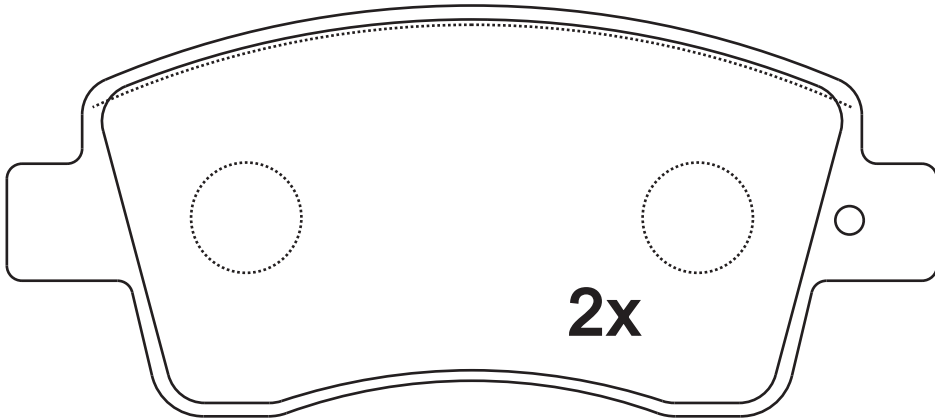
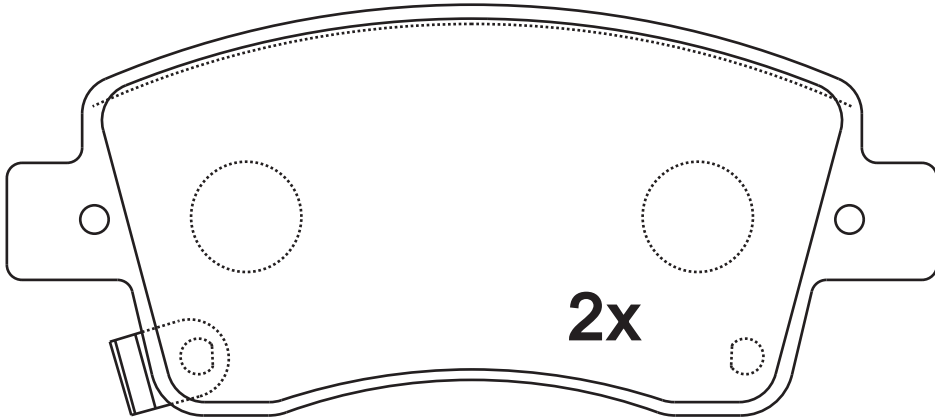
123×54.3

**Thickness
(mm)**

15



NOTE



Apply for:

Toyota Etios

2012-

SR0839.01

**Dimension
(mm)**

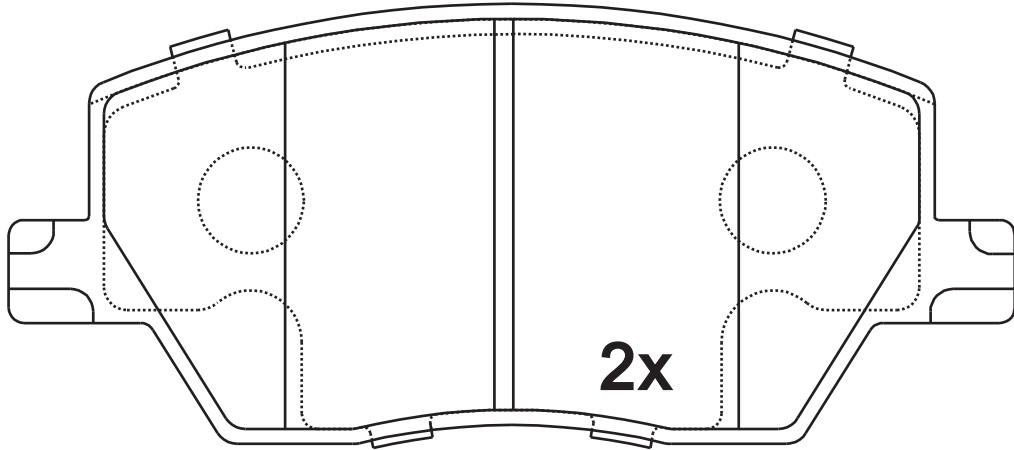
133×58.2

**Thickness
(mm)**

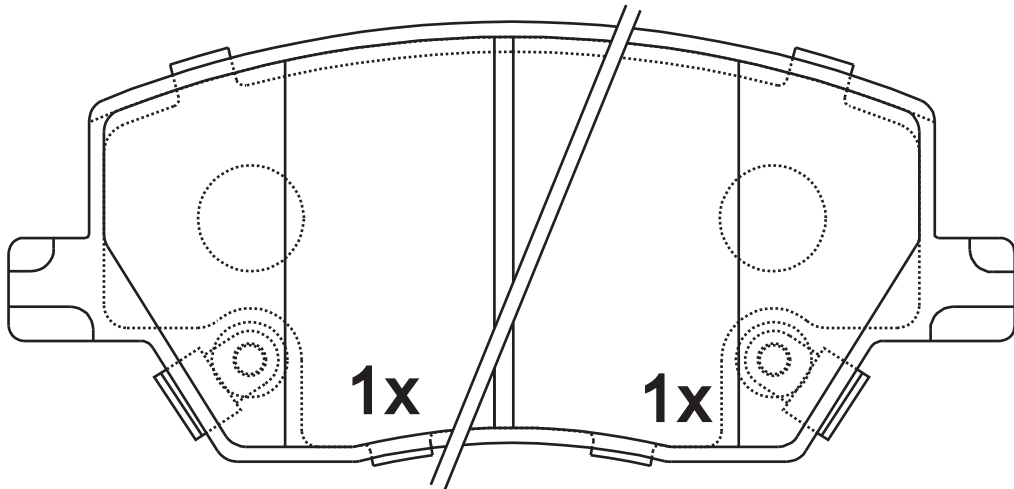
19.3



NOTE



22397



22399

22398

Apply for:

**Fiat Tipo Estate (356_)
Fiat Tipo Hatchback (356_)**

**2016/03-
2016/03-**

SR0839

**Dimension
(mm)**

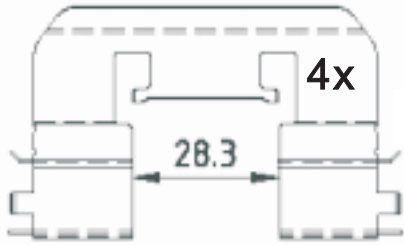
**Thickness
(mm)**



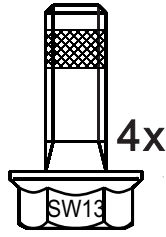
NOTE

附件包

Accessory kit



DX0011



M8X21
L0022

FJB0839.01

SR0840.01

**Dimension
(mm)**

**Thickness
(mm)**

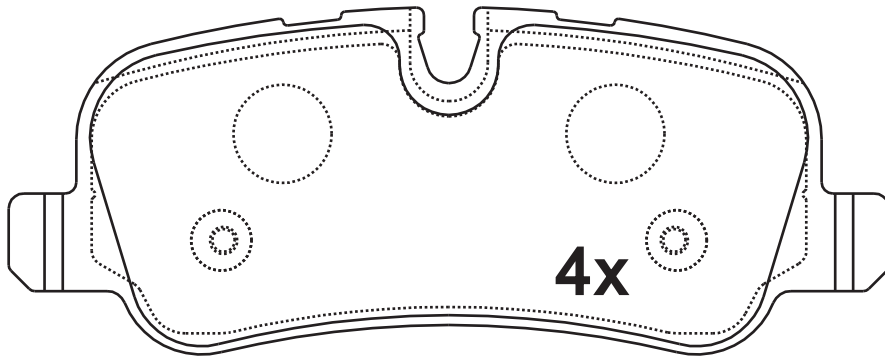


NOTE

4 identical;

116.6×46.4

17.4



24192

Apply for:

Land Rover LR3	2005-2009
Land Rover LR4	2010-2012
Land Rover Range Rover	2006-2009
Land Rover Range Rover Sport	2006-2009
Land Rover Range Rover Sport LE	2008-
Land Rover Range Rover Sport Supercharged	2006-2009
Land Rover Range Rover Supercharged	2006-2009

SR0840

**Dimension
(mm)**

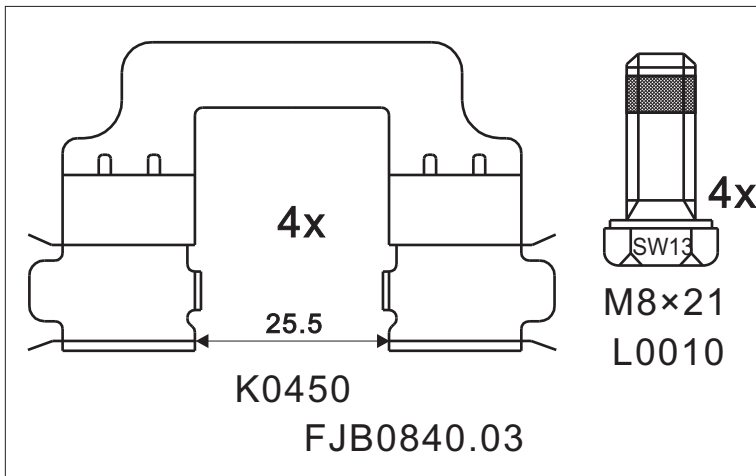
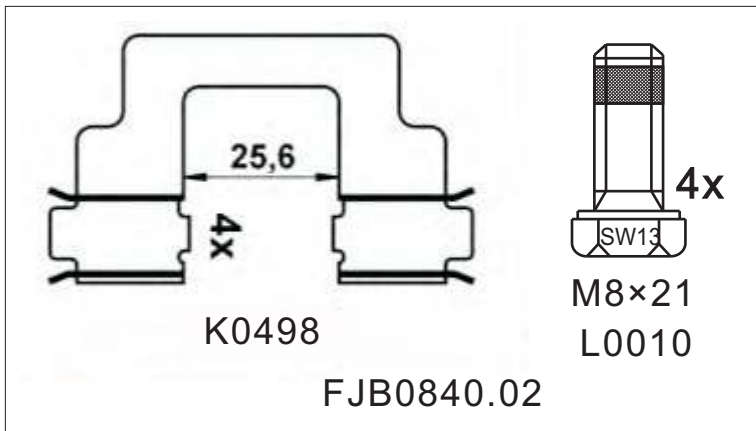
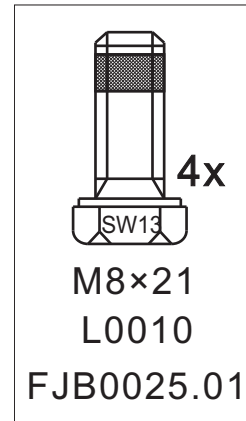
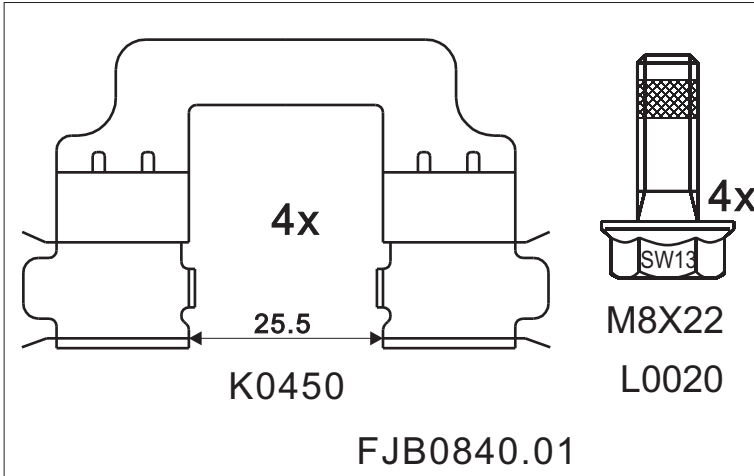
**Thickness
(mm)**



NOTE

附件包

Accessory bag



SR0841.01

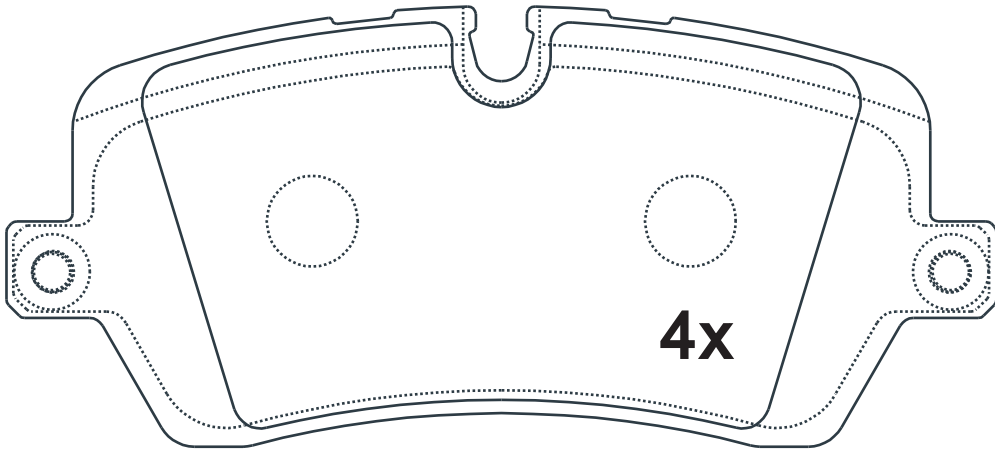
**Dimension
(mm)**

**Thickness
(mm)**



NOTE


4 identical;

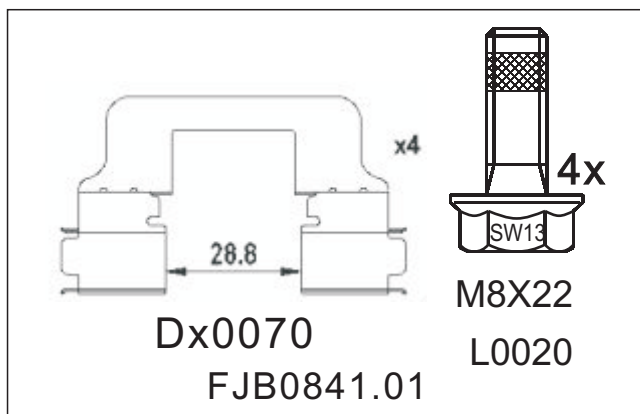
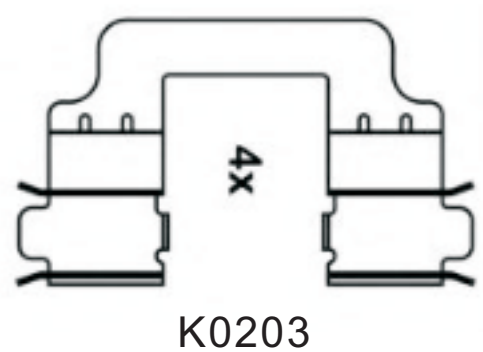


25720

Apply for:

- | | |
|---|-----------|
| Land Rover Range Rover | 2013-2014 |
| Land Rover Range Rover Sport | 2014 |
| Land Rover Range Rover Sport Supercharged | 2014 |
| Land Rover Range Rover Supercharged | 2014 |

SR0841	Dimension (mm)	Thickness (mm)		NOTE



SR0842.01

**Dimension
(mm)**

192.6×71.8

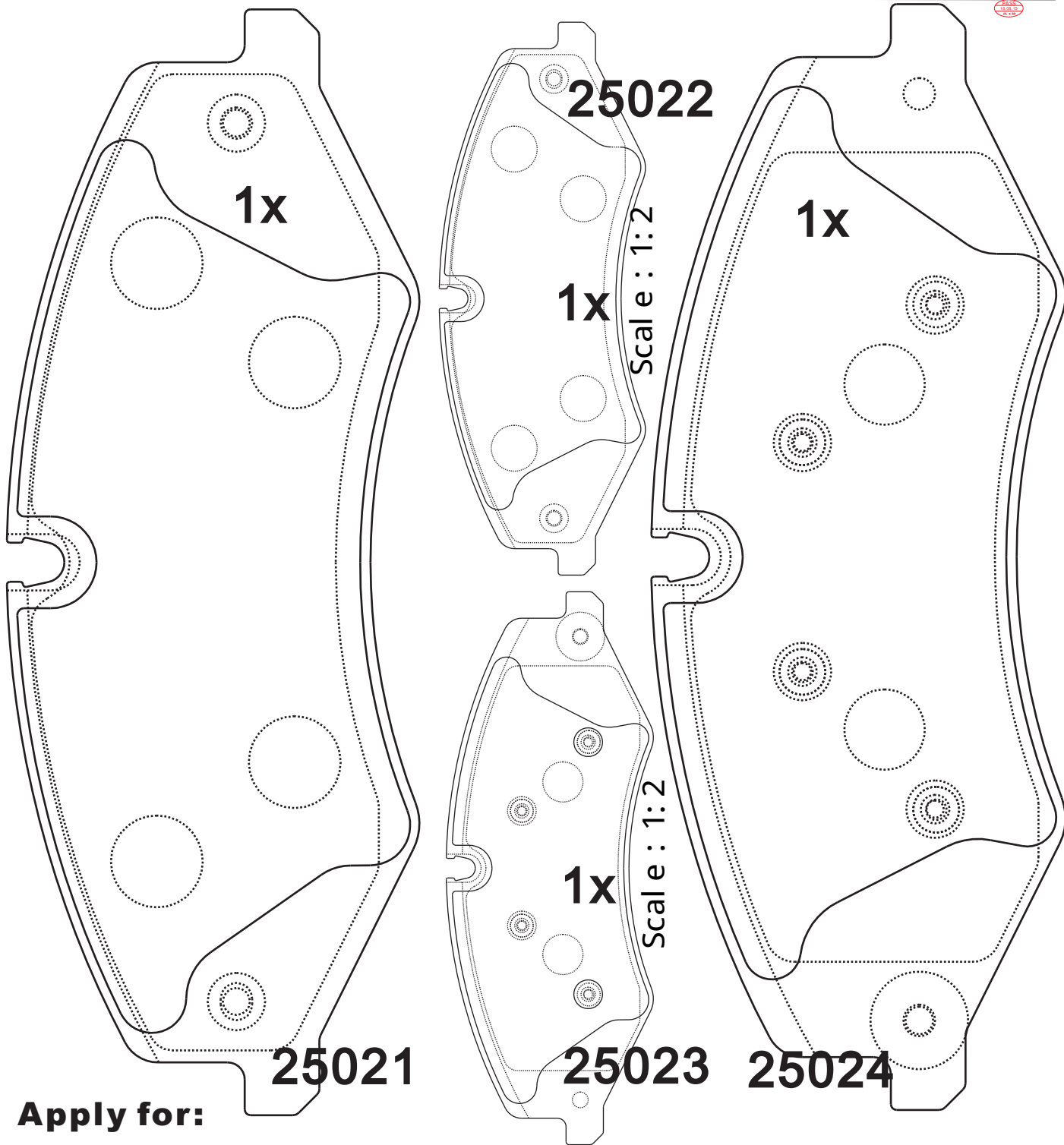
**Thickness
(mm)**

18.5



NOTE

**1 identical;1 identical;
1 identical;1 identical;**



Apply for:

Land Rover LR4
Land Rover Range Rover
Land Rover Range Rover Sport

2010-2014
2014-
2011-2014

SR0842.02

**Dimension
(mm)**

192.6×71.8

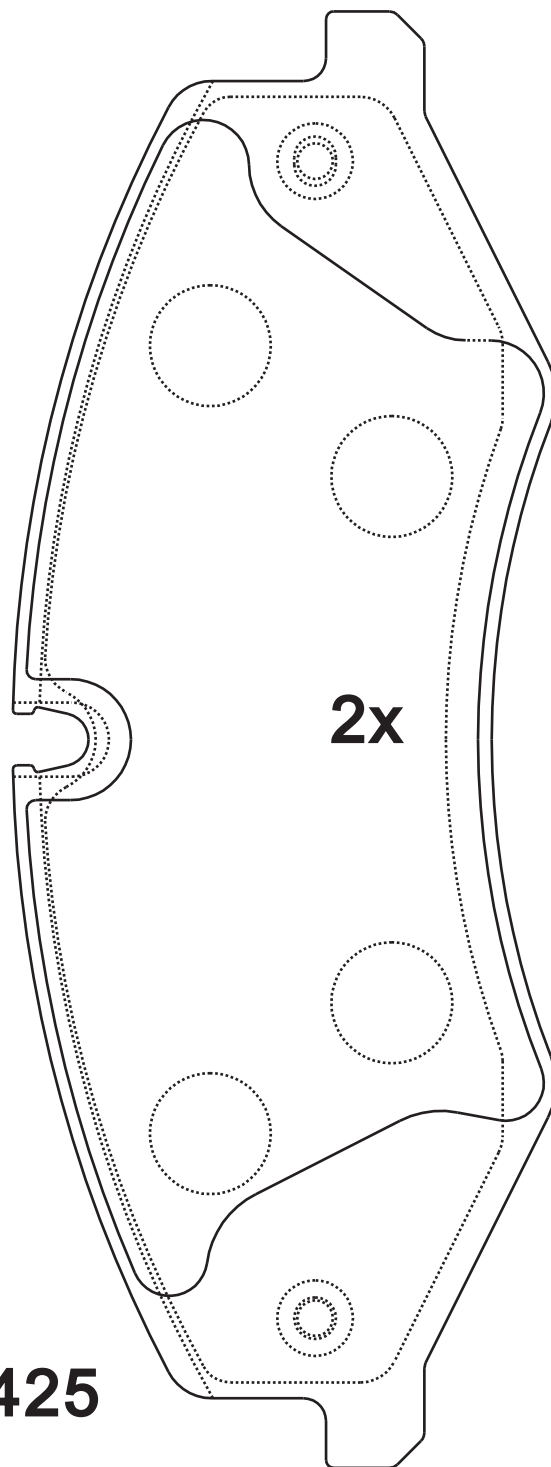
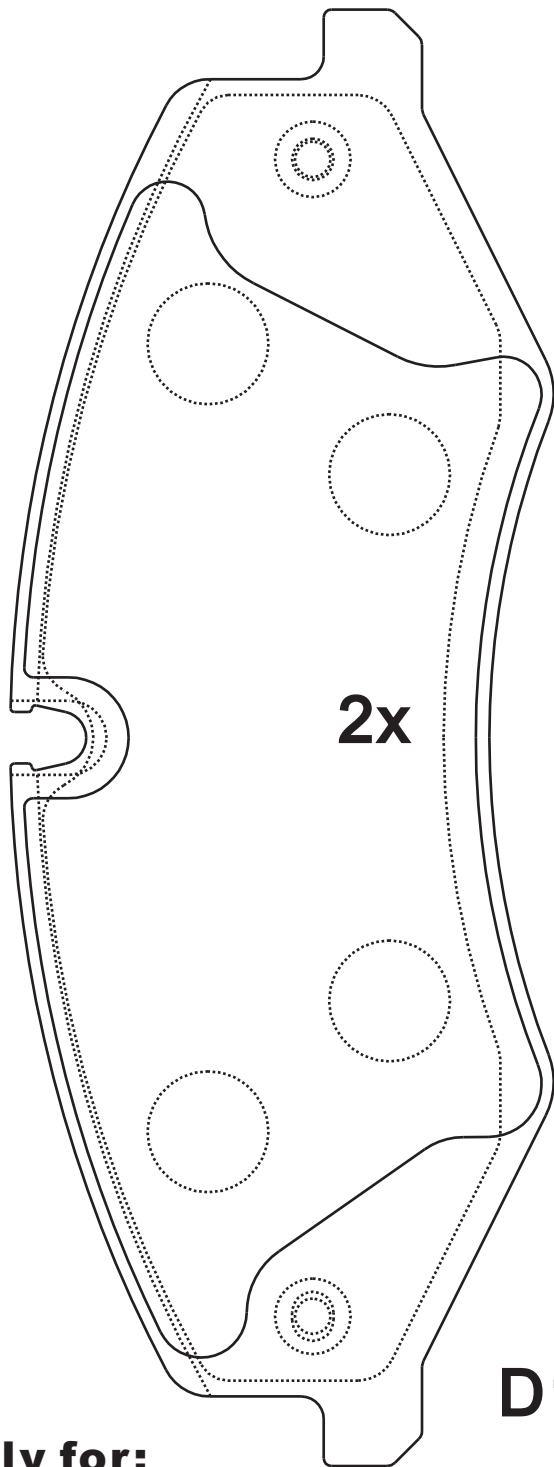
**Thickness
(mm)**

18.5



NOTE

2 identical; 2 identical;




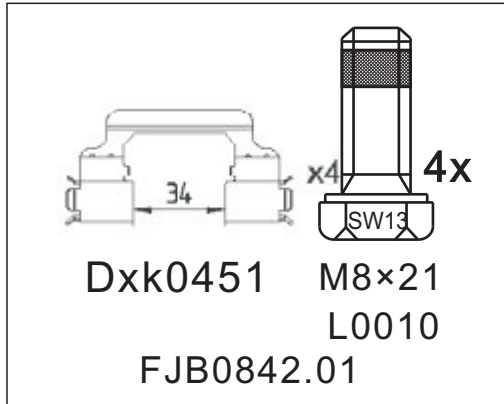
D1425

Apply for:

Land Rover LR4
Land Rover Range Rover
Land Rover Range Rover Sport

2010
2010-2012
2010

SR0842	Dimension (mm)	Thickness (mm)		NOTE



SR0843.01

**Dimension
(mm)**

131×62.3

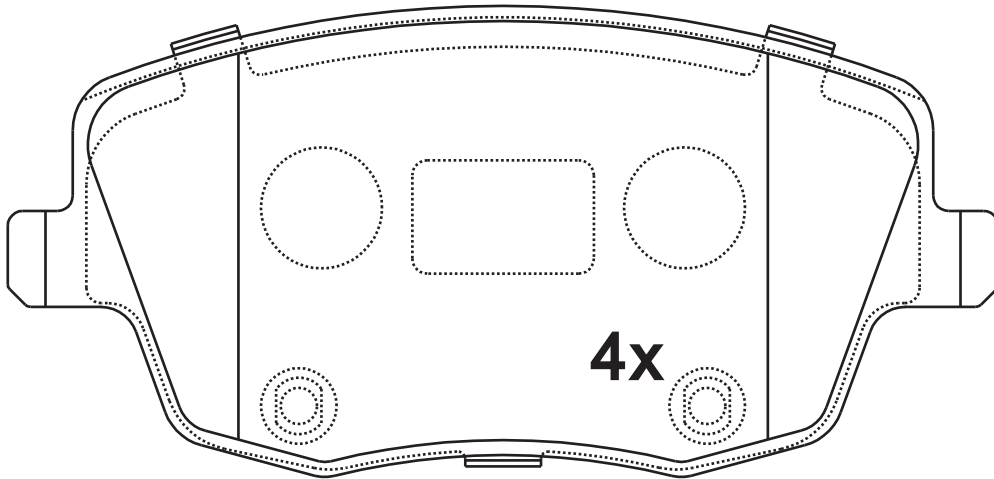
**Thickness
(mm)**

18.8



NOTE

4 identical;



23581

Apply for:

Skoda law biya wagon (6 y5)

2000/04-2007/12

Shanghai Volkswagen skoda crystal sharp (5 j)

2008/12-

SR0843.02

**Dimension
(mm)**

131×62.3

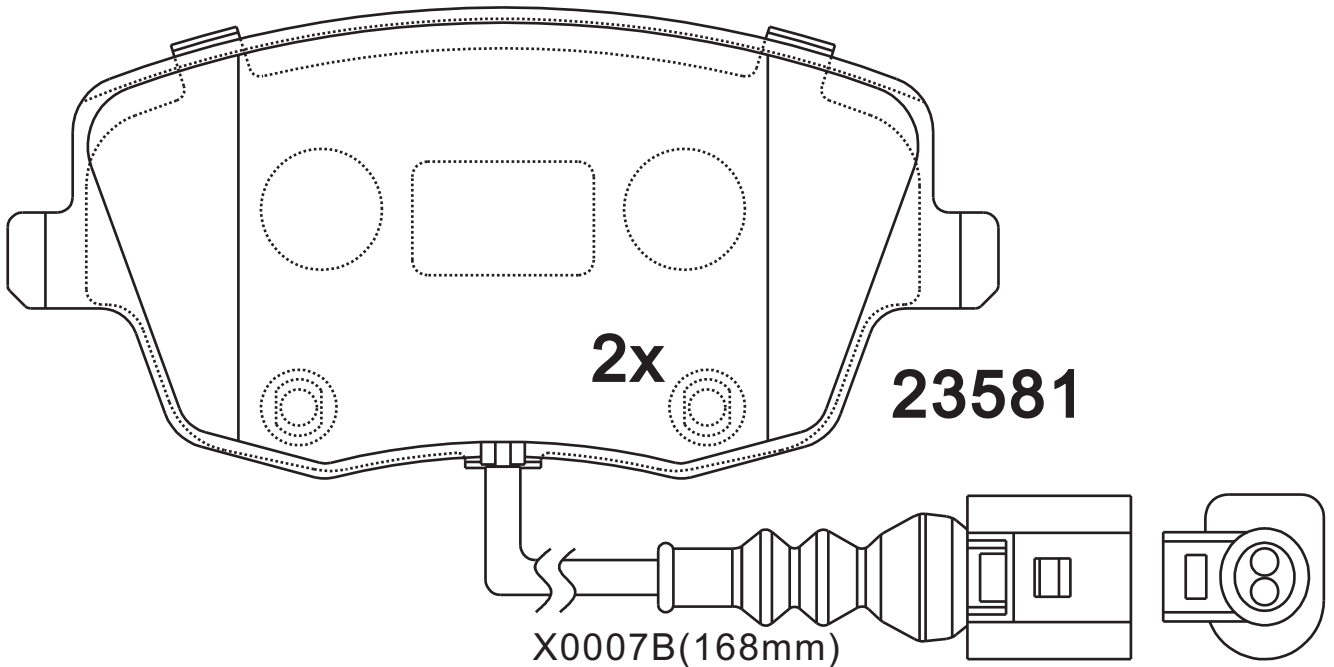
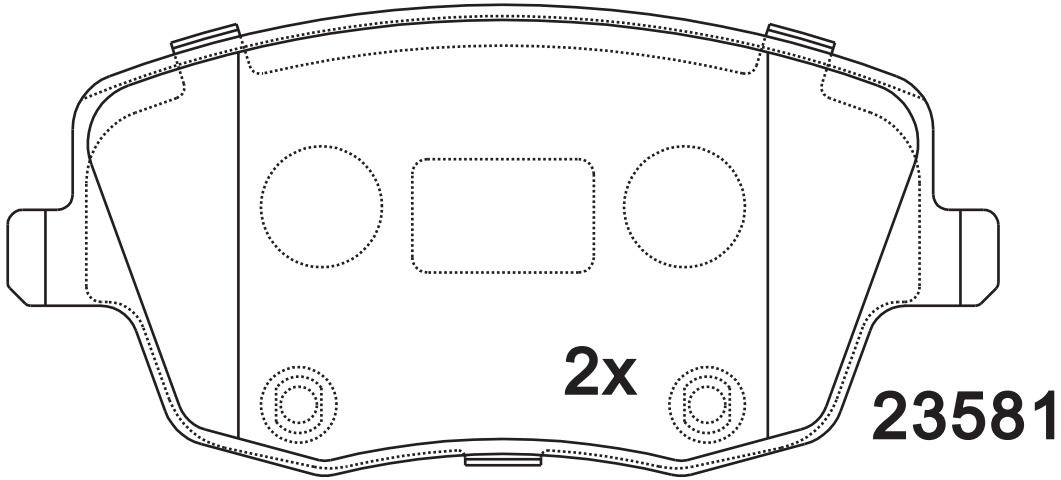
**Thickness
(mm)**

18.8



NOTE

**4 identical, 2 identical
with warn indicator.**



Apply for:

SEAT Ibiza (Latin America)
Volkswagen Polo (Latin America)

2002-2008
2001-2009

SR0843.03

**Dimension
(mm)**

131×62.3

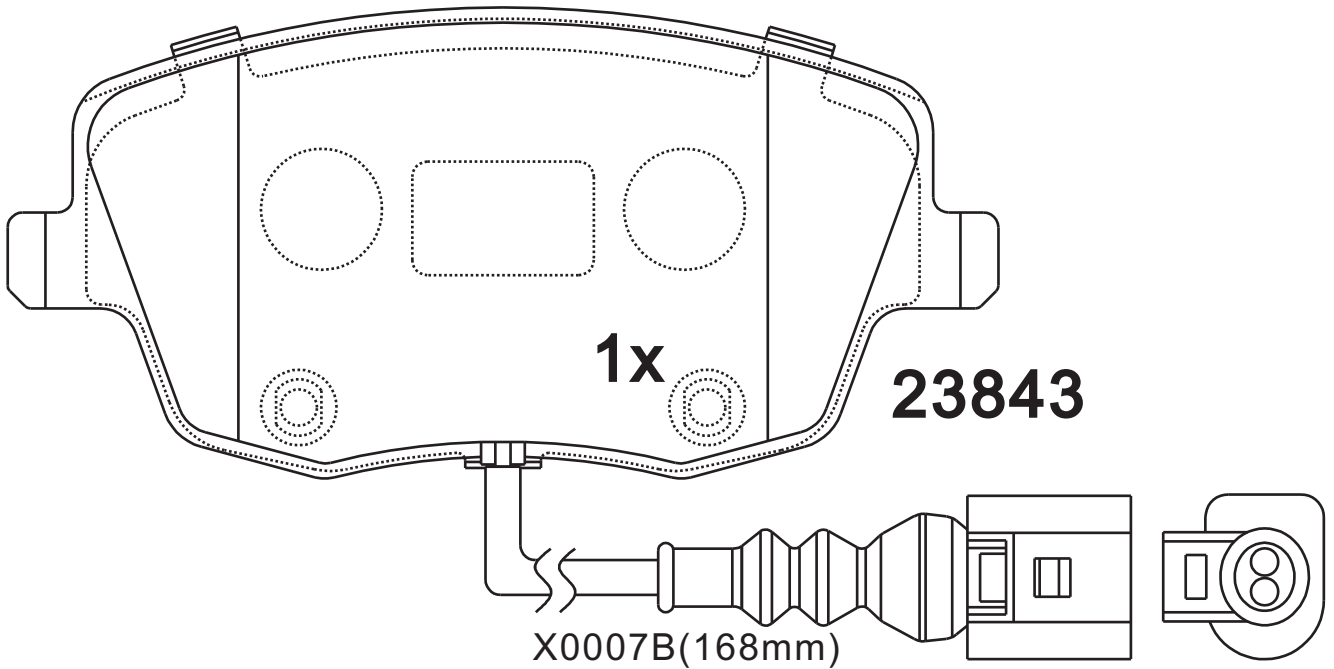
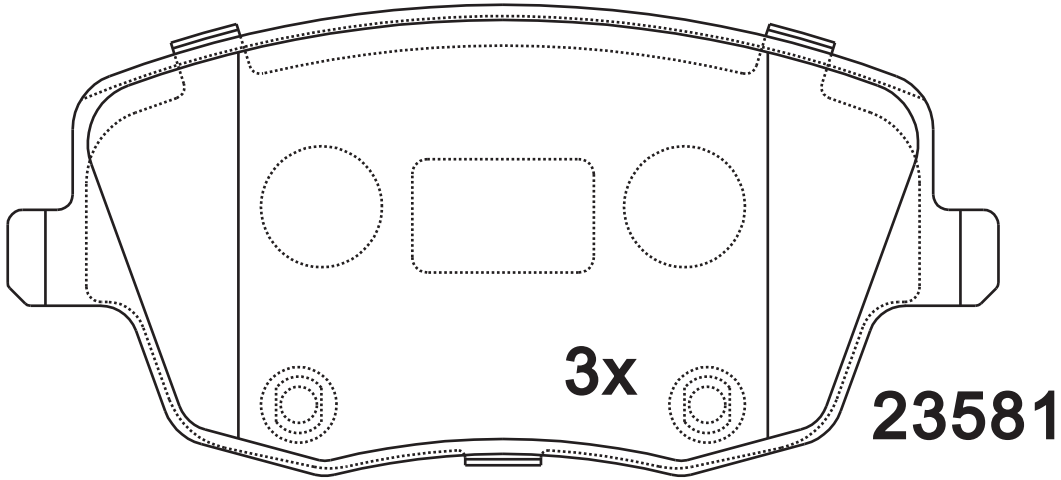
**Thickness
(mm)**

18.8



NOTE

**4 identical, 1 identical
with warn indicator.**



Apply for:

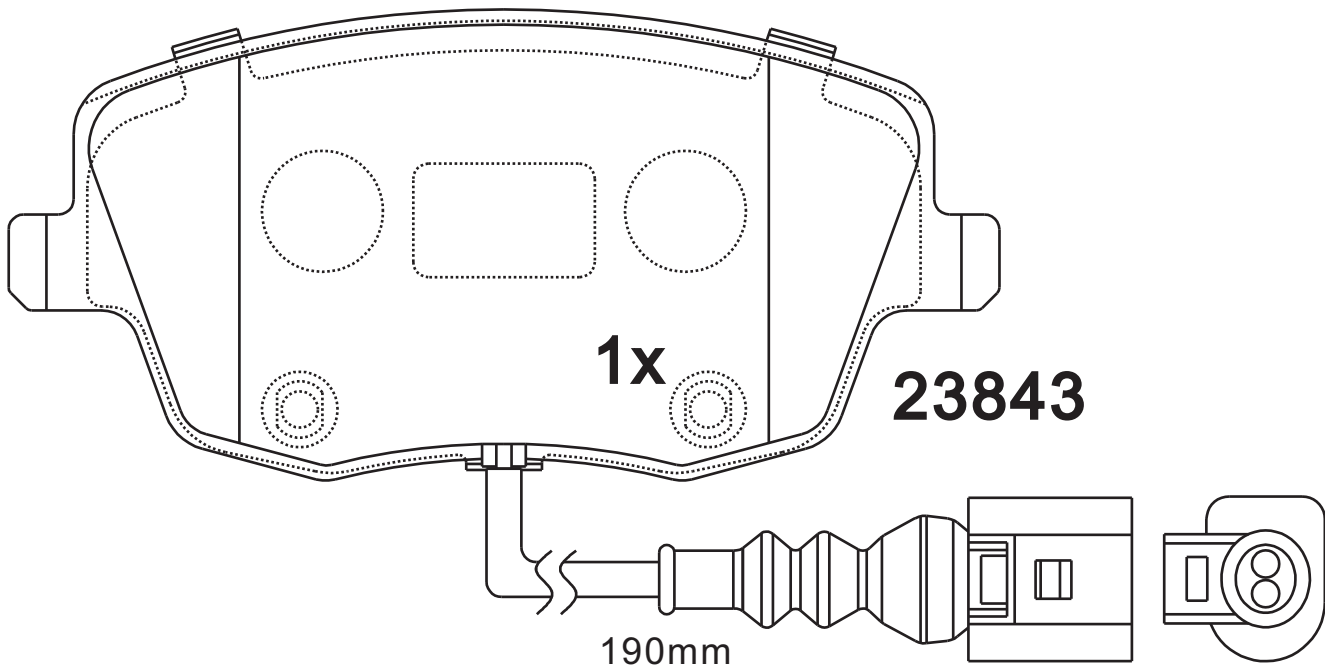
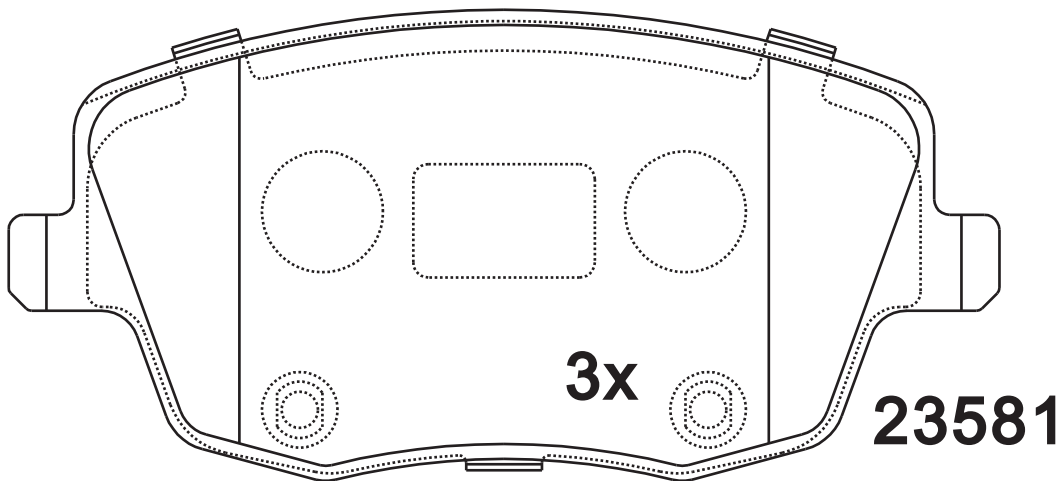
SEAT Ibiza (Latin America)
Volkswagen Polo (Latin America)

2002-2008
2001-2009

SR0843.04

Dimension (mm)	Thickness (mm)	
131×62.3	18.8	

NOTE
4 identical, 1 identical with warn indicator.



Apply for:

SEAT Ibiza (Latin America)
Volkswagen Polo (Latin America)

2002-2008
2001-2009

SR0843

**Dimension
(mm)**

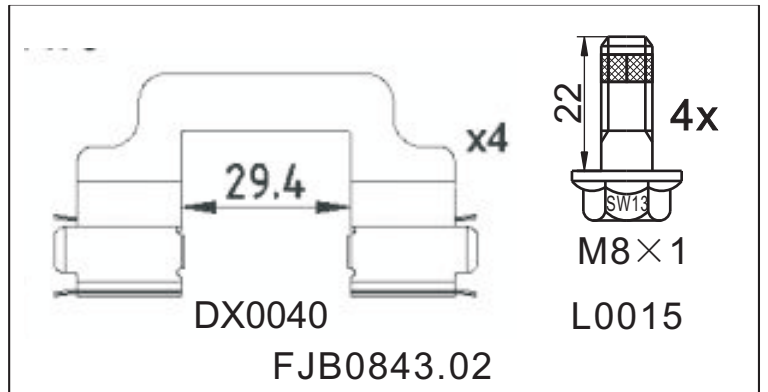
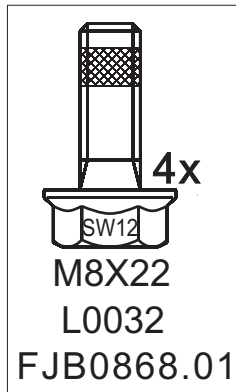
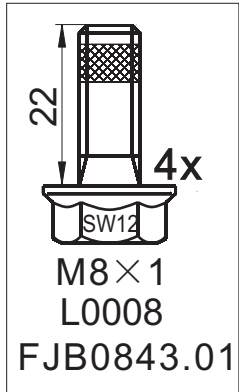
**Thickness
(mm)**



NOTE

附件包

Accessory bag



SR0844.01

**Dimension
(mm)**

**Thickness
(mm)**

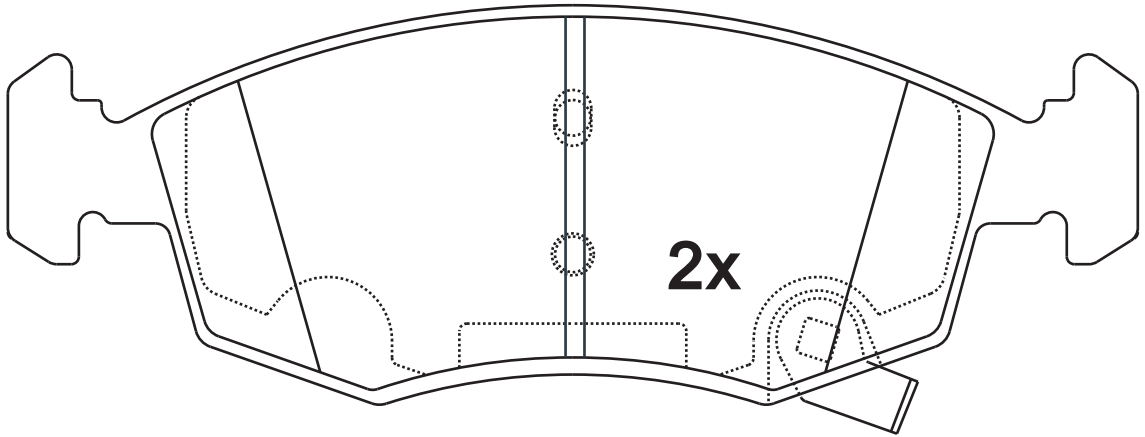


NOTE

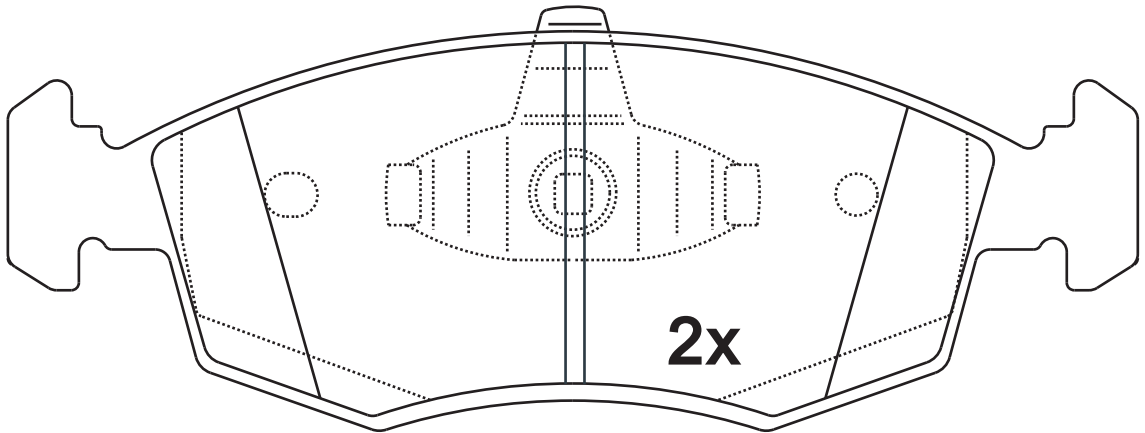
**4 identical, 2 identical
with warn indicator.**

149.4×52.6

17.5



25324



25323

Apply for:

Chrysler YPSILON
Fiat PANDA (312)
Lancia YPSILON (312, 846)
Lancia lancia YPSILON

2011/05-
2012/02-
2011/05-
2003/10-2011/12

SR0844.02

**Dimension
(mm)**

149.4×52.6

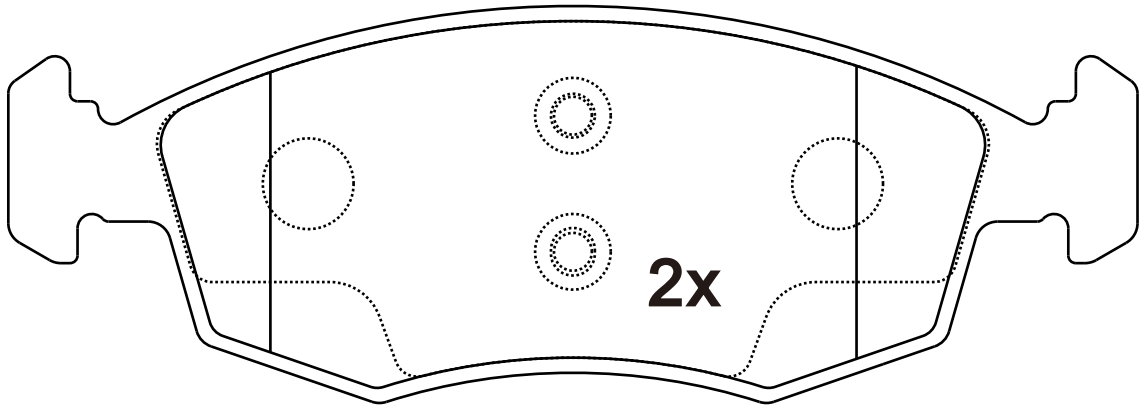
**Thickness
(mm)**

17.5

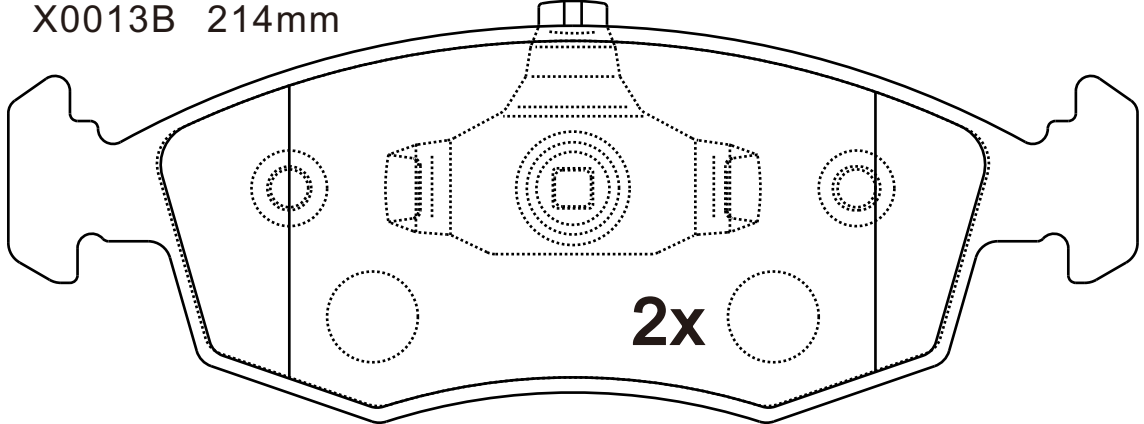
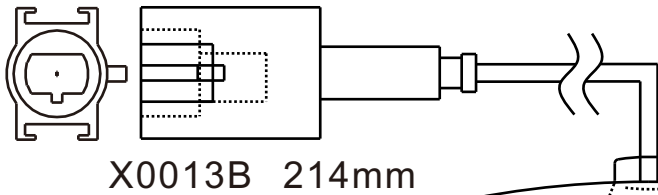


NOTE

**2 identical; 2 identical
with spring.**



25429



25430

Apply for:

FIAT 500 (312_) 0.9 (312AXH1A)

2012-

FIAT PUNTO (199_) 0.9

2013-

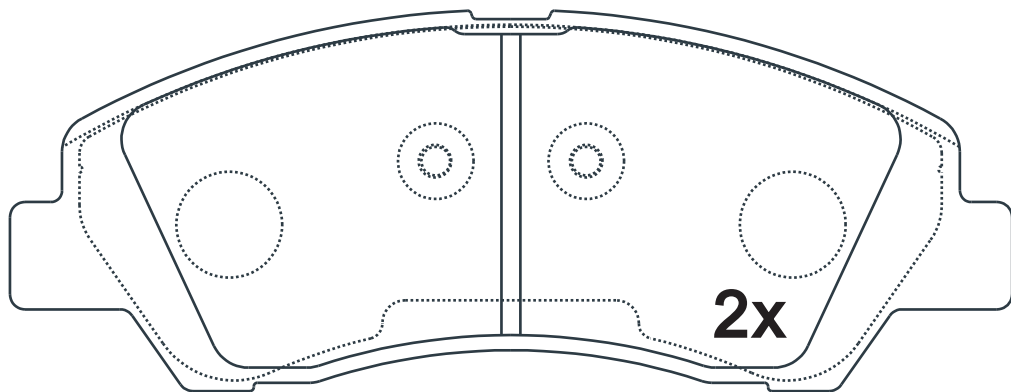
FIAT PUNTO EVO (199_) 1.4 LPG

2009-2012

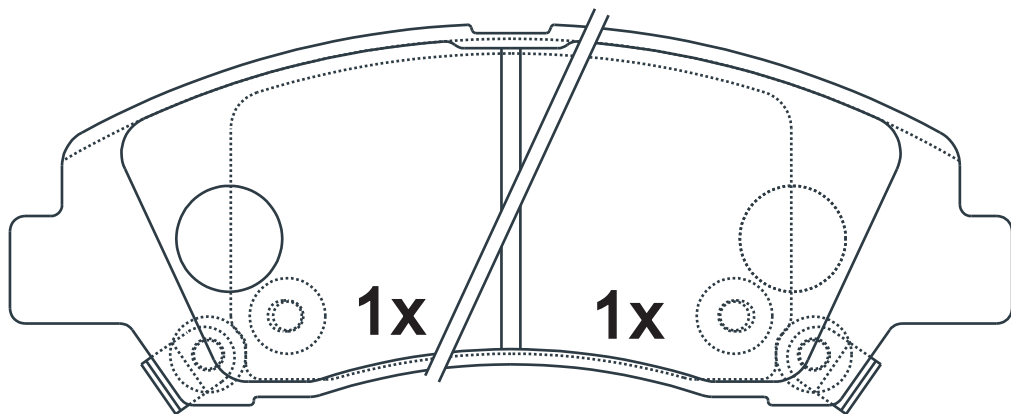
SR0845.01

Dimension (mm)	Thickness (mm)	
132.5×50.3	16	

NOTE
2 identical;2 identical,
1 with acoustic indicator
(left),1 with acoustic
indicator(right).



25976




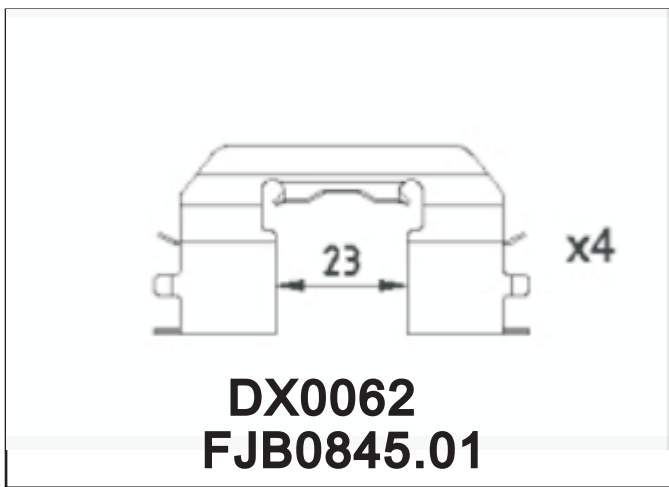
25978

25977

Apply for:

HYUNDAI i10 (IA) 2013/12-

SR0845	Dimension (mm)	Thickness (mm)		NOTE
				附件包 Accessory bag



SR0846.01

**Dimension
(mm)**

152.2×60.1

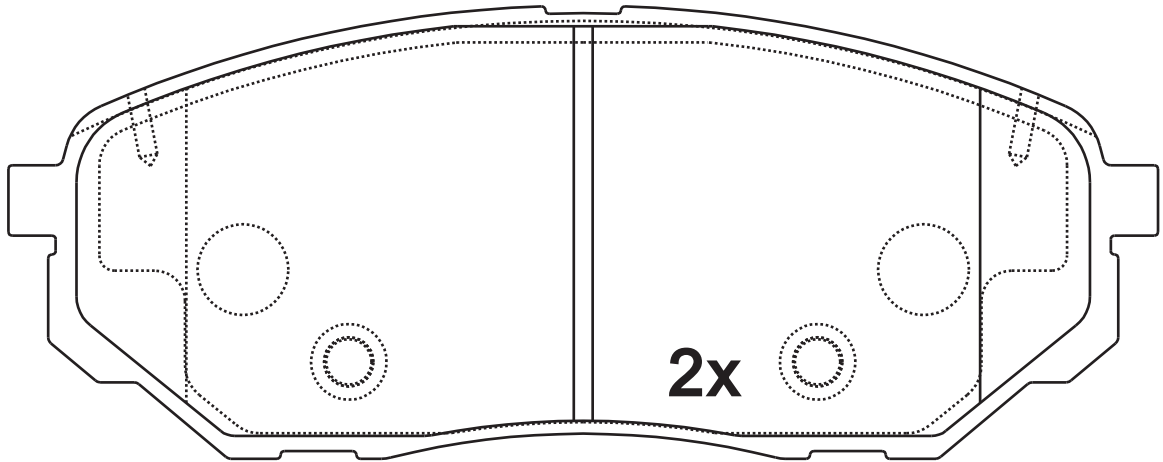
**Thickness
(mm)**

17.2

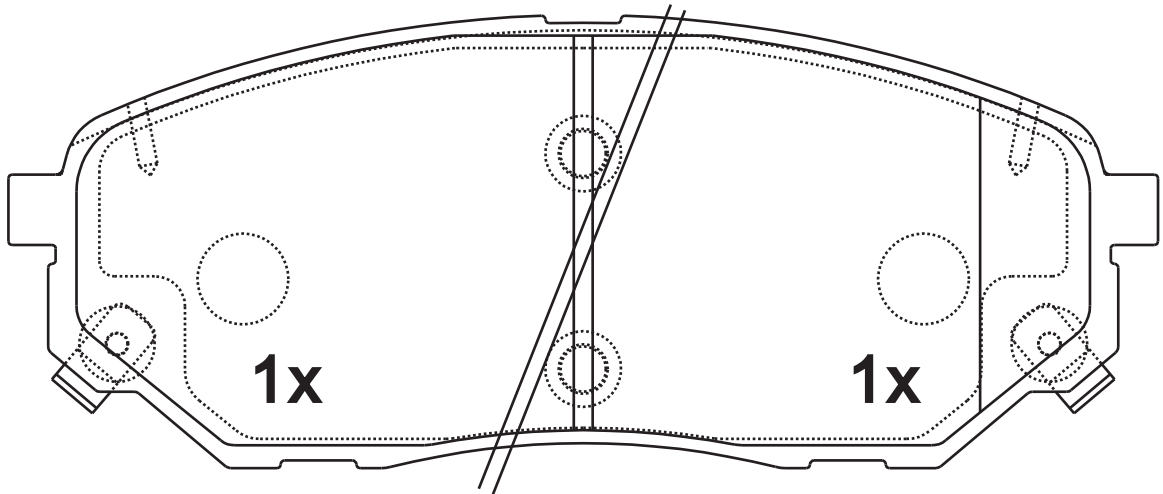


NOTE

2 identical;2 identical,
1 with acoustic indicator
(left),1 with acoustic
indicator(right).



22246





22248

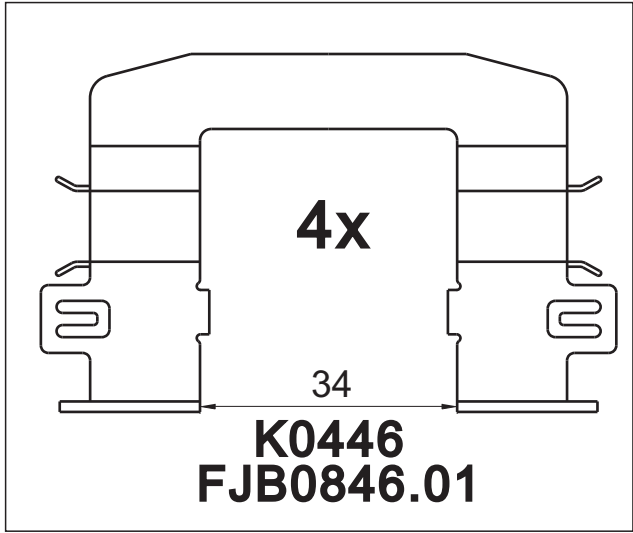
22247

Apply for:

Kia Sorento Iii (Um)

2015/01-

SR0846	Dimension (mm)	Thickness (mm)		NOTE 附件包 Accessory bag
				



SR0847.01

**Dimension
(mm)**

132.7×58.5

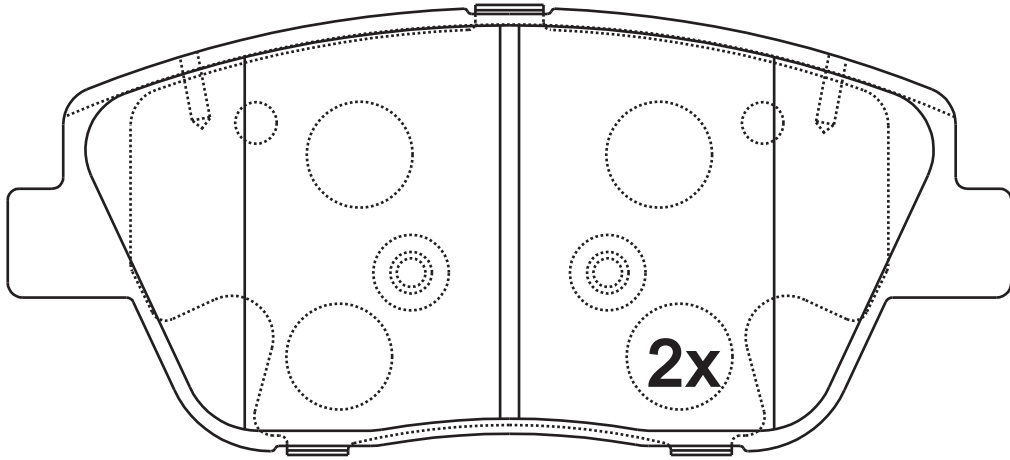
**Thickness
(mm)**

17.5

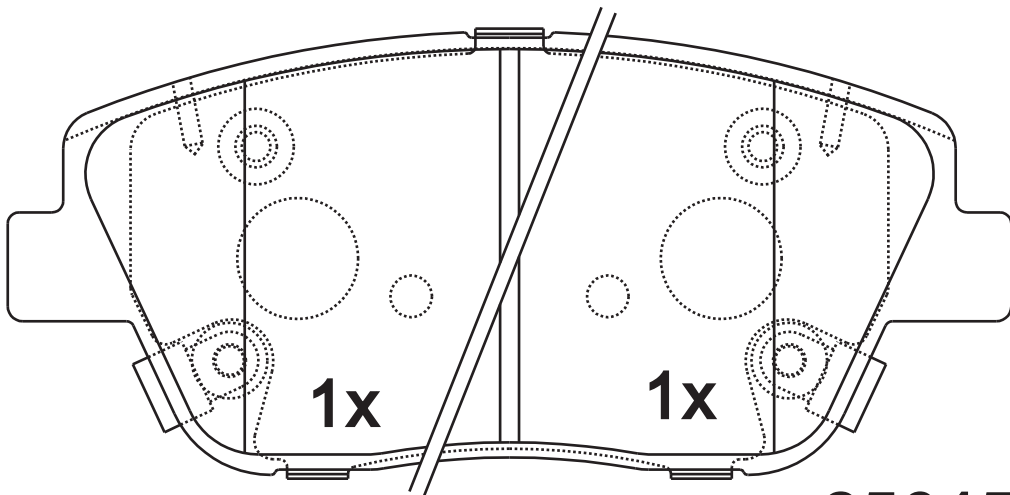


NOTE

**2 identical; 2 identical,
1 with acoustic indicator
(left), 1 with acoustic
indicator (right).**



25644



25646

25645

Apply for:

Hyundai Sonata

2011-2014

Kia Optima 2.4 Ltr

2011-2013

Kia Optima

2014-

SR0847

**Dimension
(mm)**

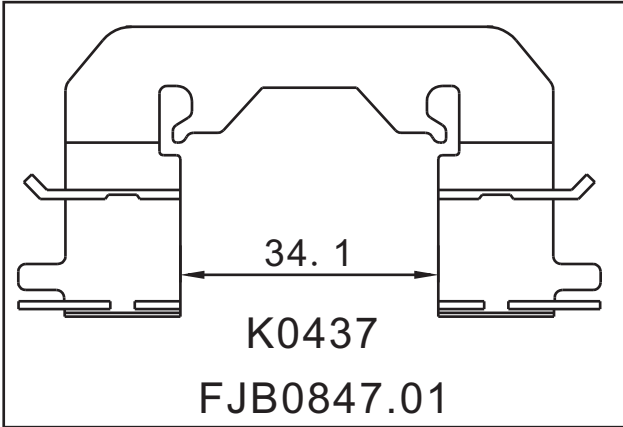
**Thickness
(mm)**





NOTE

附件包

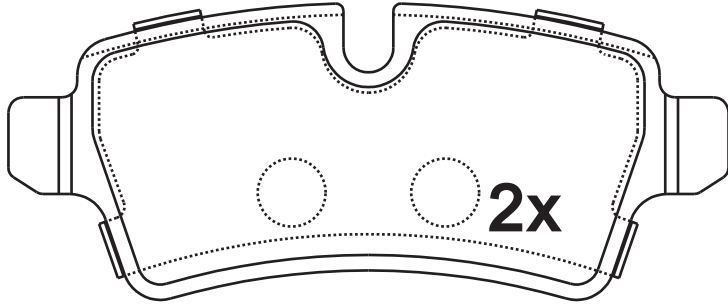
Accessory kit



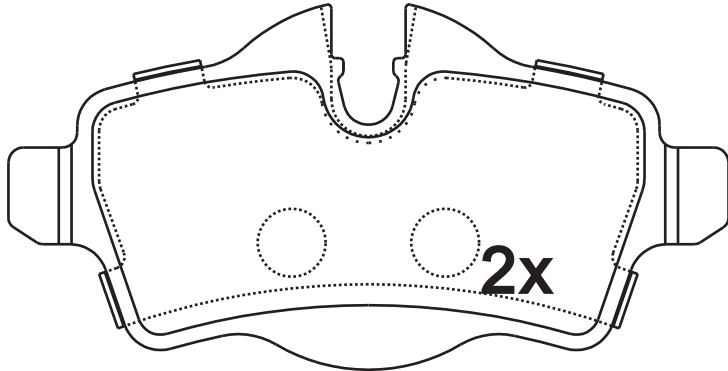
SR0848.01

Dimension (mm)	Thickness (mm)	
95.2×39.2 95.3×48.3	16.9	

NOTE
2 identical;2 identical;




24289

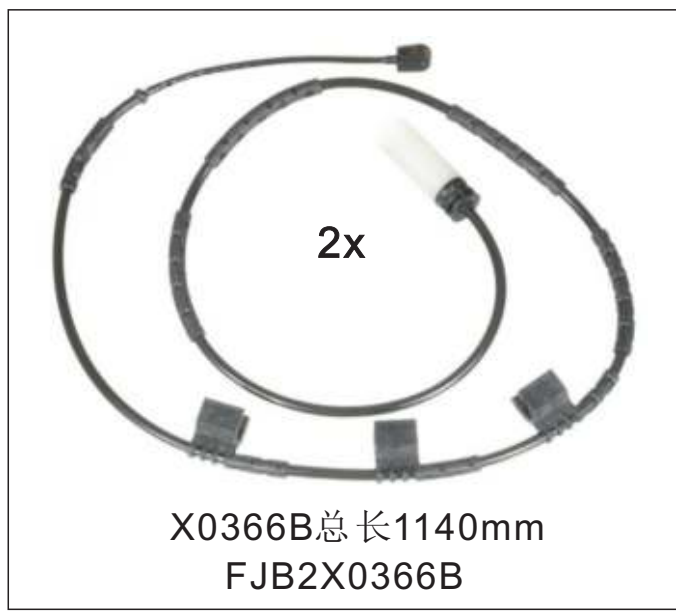
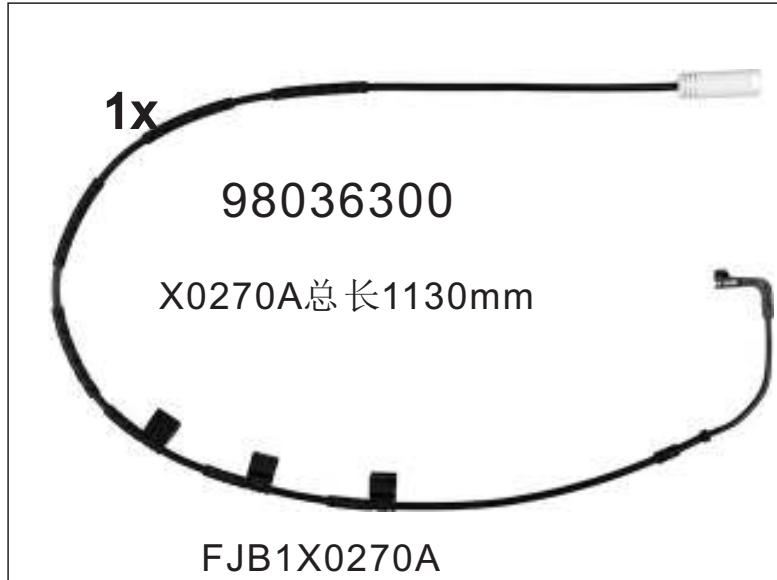
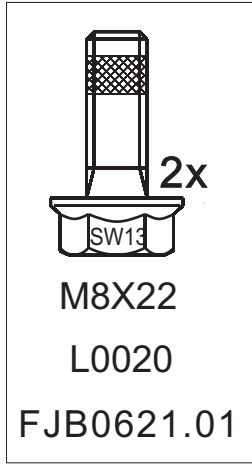
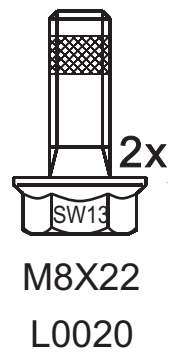
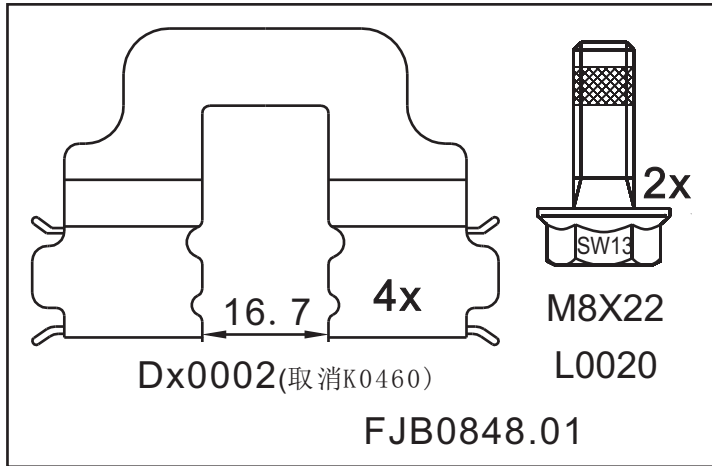


24290

Apply for:

MINI Cooper	2007-2014
MINI Cooper JC Works Brakes	2009-2014
MINI Cooper S	2009-2010
MINI Cooper S	2012-2014
MINI Cooper S Clubman	2008-

SR0848	Dimension (mm)	Thickness (mm)		NOTE



SR0849.01

**Dimension
(mm)**

133.1×56

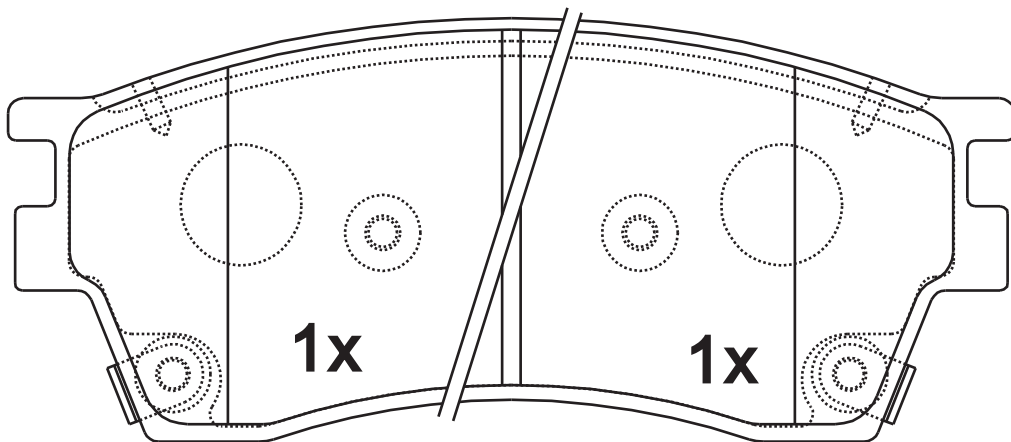
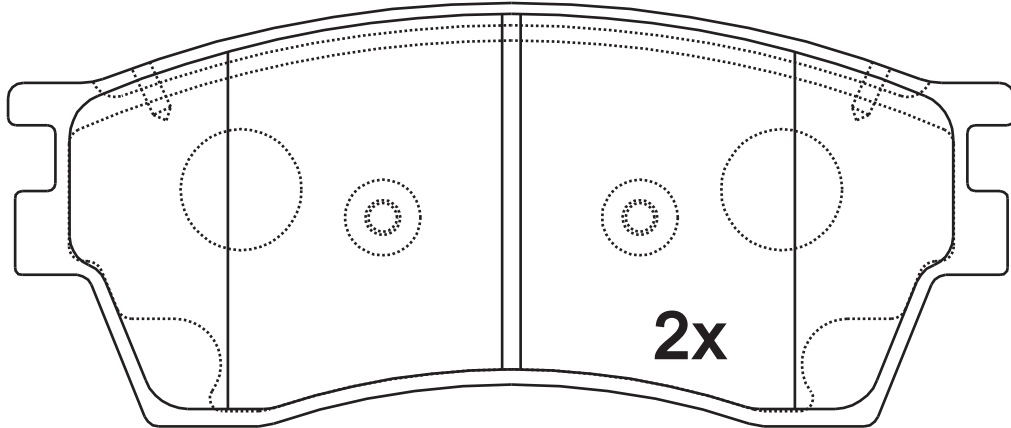
**Thickness
(mm)**

18.4



NOTE

**2 identical; 2 identical,
1 with acoustic indicator
(left), 1 with acoustic
indicator (right).**



GDB7931

Apply for:

Besturn B90

2012/08-

Besturn X80

2013/05-

SR0850.01

**Dimension
(mm)**

162.3×58.8

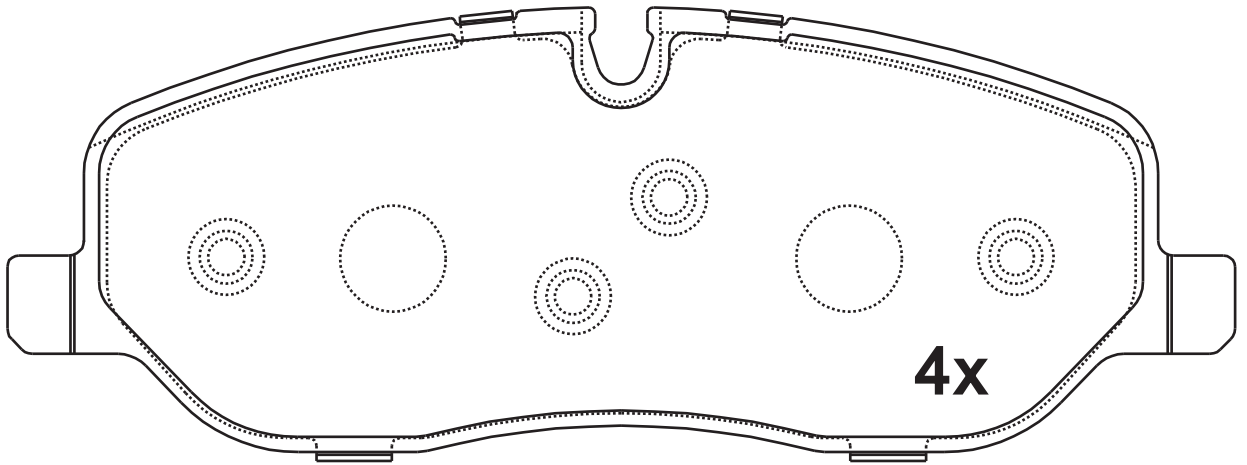
**Thickness
(mm)**

18.1



NOTE

4 identical;




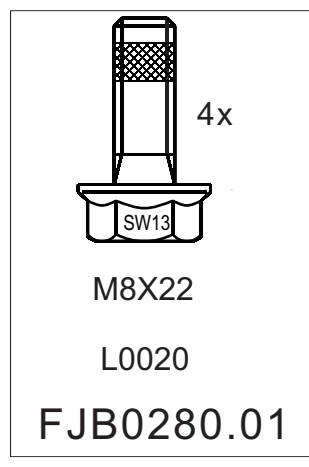
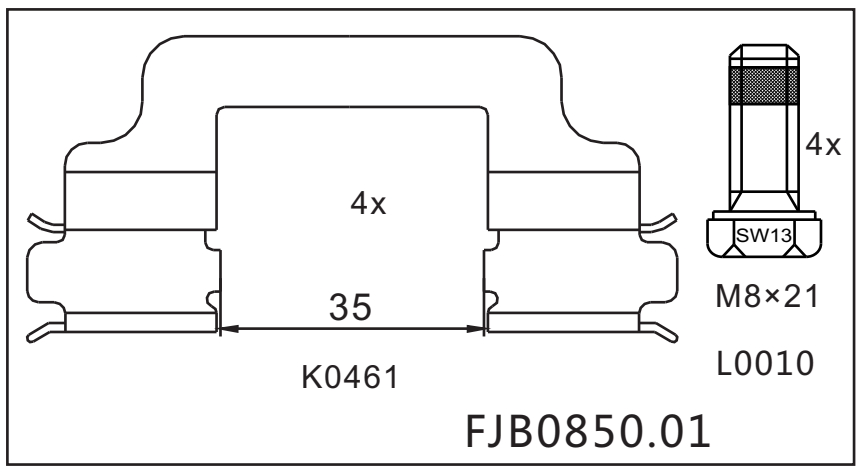
24191

Apply for:

Land Rover LR3
Land Rover Range Rover
Land Rover Range Rover Sport

2005-2009
2006-2009
2006-2009

SR0850	Dimension (mm)	Thickness (mm)		NOTE



SR0851.01

**Dimension
(mm)**

**Thickness
(mm)**

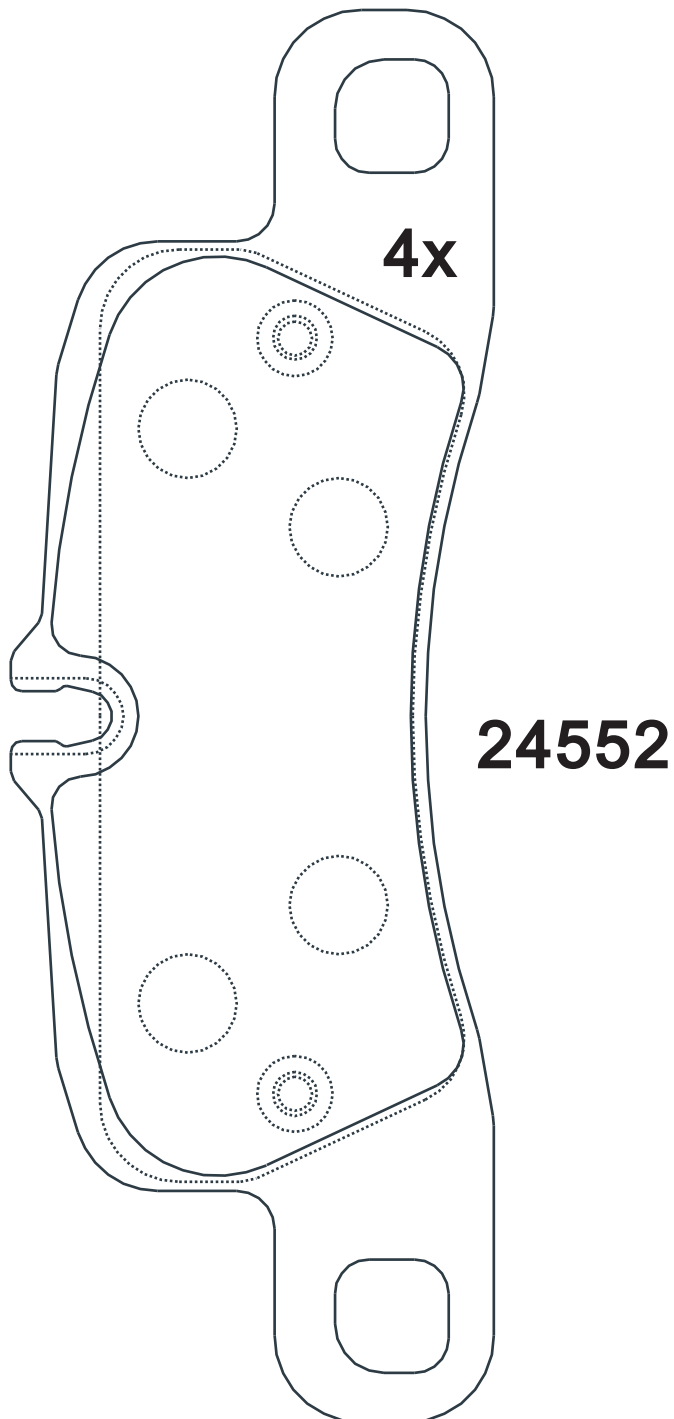


NOTE

4 identical;

187.5×64.2

14.2



Apply for:

Porsche Cayenne Turbo S

2009-2010

SR0851.02

**Dimension
(mm)**

**Thickness
(mm)**

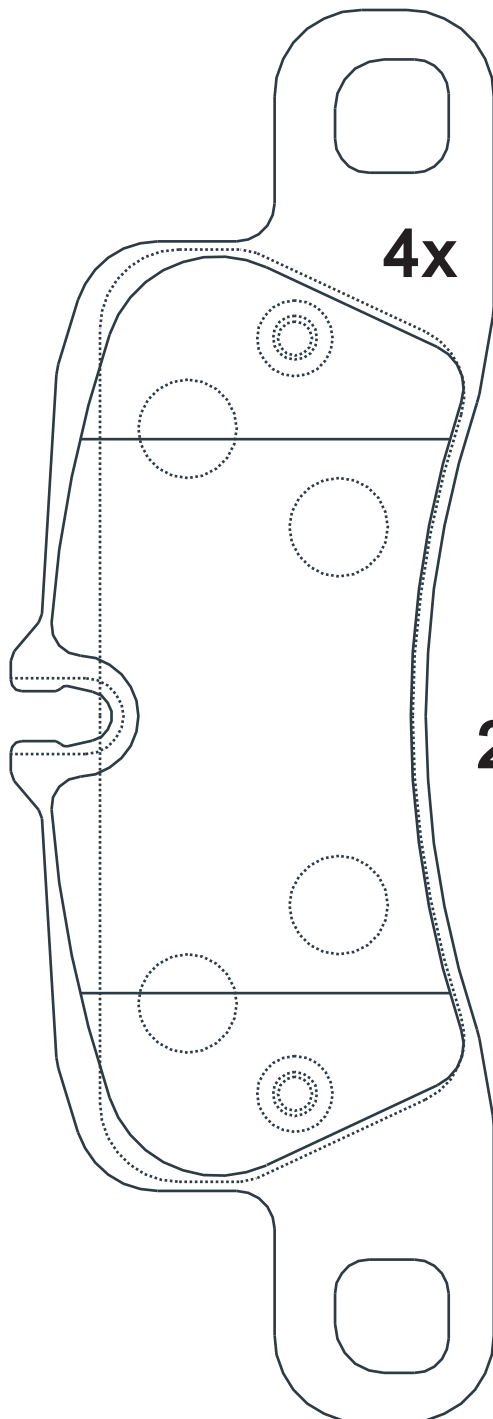


NOTE

4 identical;

187.5×64.2

16.2



4x

24552

Apply for:

Porsche Cayenne Turbo S

2009-2010

SR0851.03

**Dimension
(mm)**

187.5×64.2

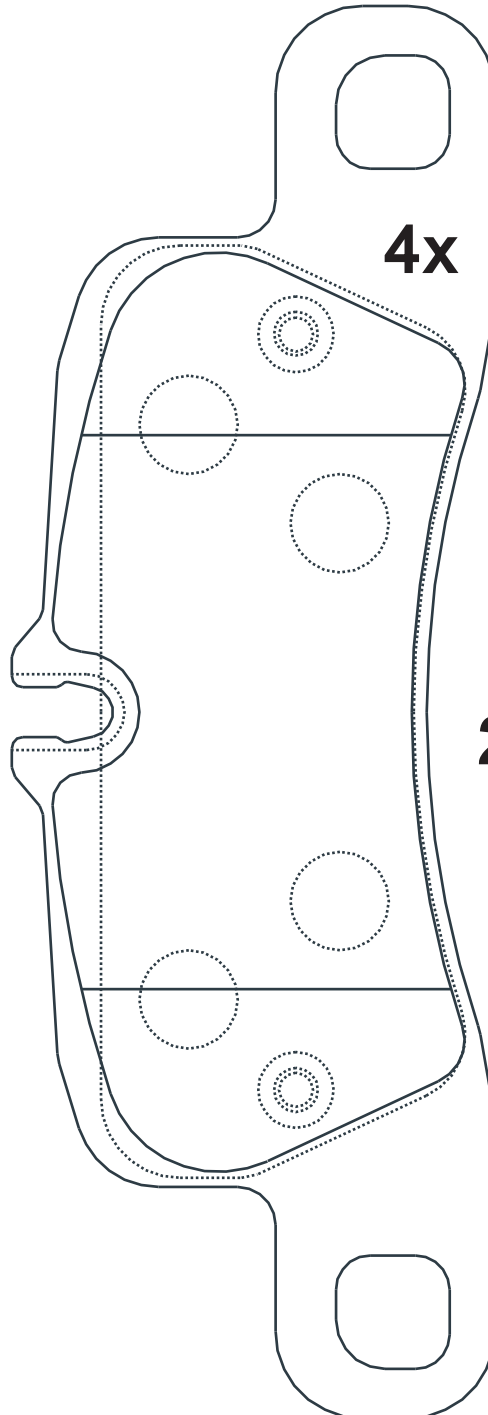
**Thickness
(mm)**

17



NOTE

4 identical;



Apply for:

Porsche Cayenne Turbo S

2009-2010

SR0852.01

**Dimension
(mm)**

126.5×68.4

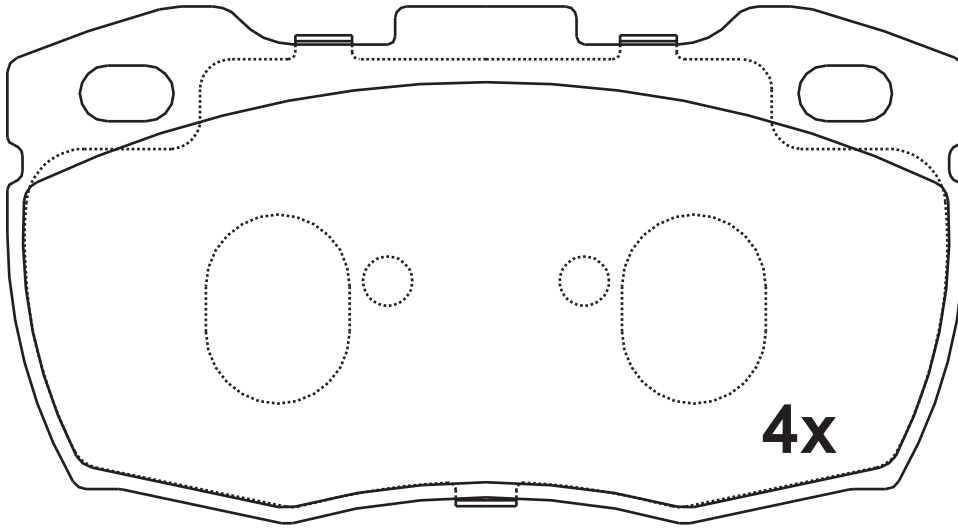
**Thickness
(mm)**

17.8



NOTE

4 identical;



21519

Apply for:

Land Rover 110/127 (Ldh)
Land Rover 88/109 (Lr)
Land Rover 88/109 Hardtop (Lr)
Land Rover Defender Cabrio (L316)

1983/09-1990/12
1961/09-1986/12
1963/09-1986/12
1990/08-2016/02

SR0852

**Dimension
(mm)**

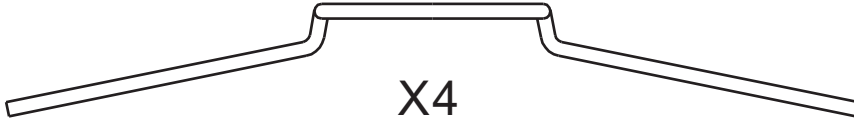
**Thickness
(mm)**



NOTE

附件包

Accessory kit



SR0853.01

**Dimension
(mm)**

**Thickness
(mm)**

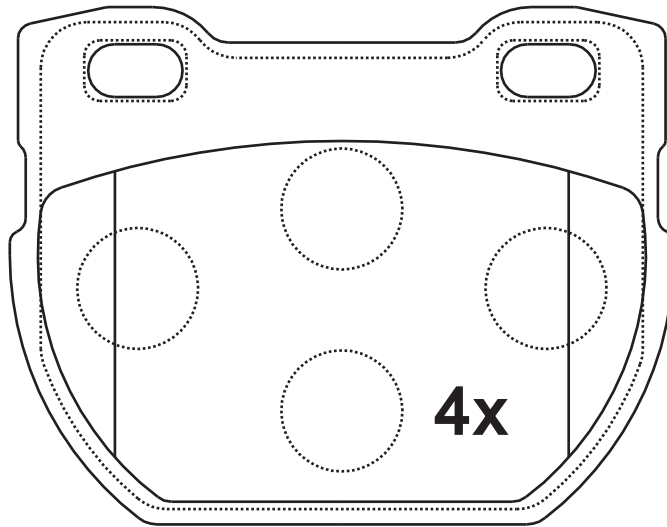


NOTE

4 identical;



无模具



Apply for:

路虎 卫士越野车 (LD)

1990/09-

路虎 卫士皮卡车

1995/10-

路虎 卫士SUV (LD)

1990/09-

SR0853.02

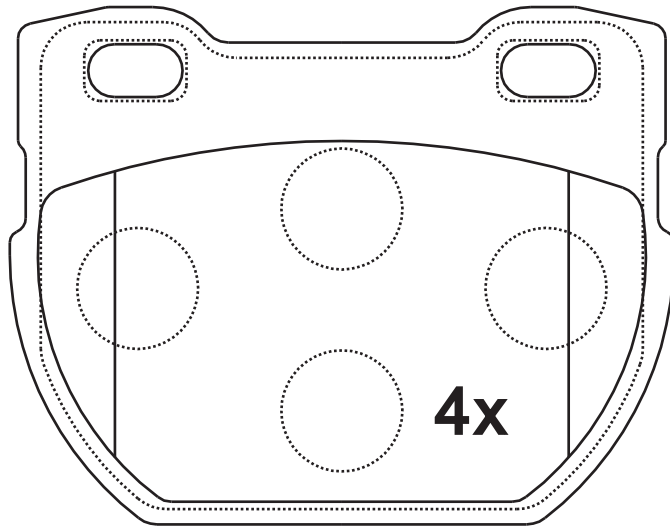
**Dimension
(mm)**

**Thickness
(mm)**



NOTE

4 identical;




23471



Apply for:


路虎 卫士越野车 (LD)
路虎 卫士皮卡车
路虎 卫士SUV (LD)

1990/09-
1995/10-
1990/09-

SR0853	Dimension (mm)	Thickness (mm)		NOTE
				附件包 Accessory bag

Xz005
T0081

 4x
  4x

 4x

Kx003
FJB0853.01

SR0854.01

**Dimension
(mm)**

177.0×54.3

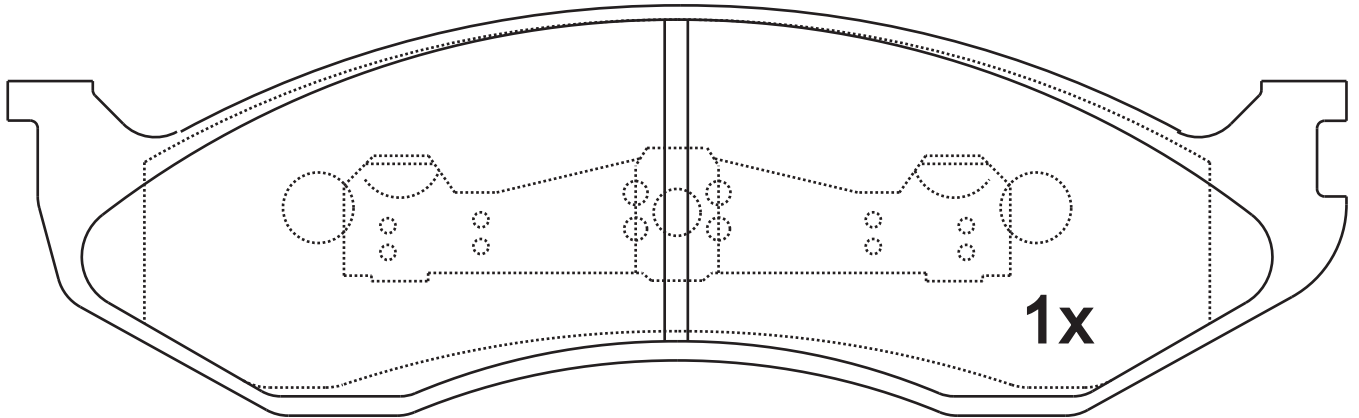
**Thickness
(mm)**

17.2

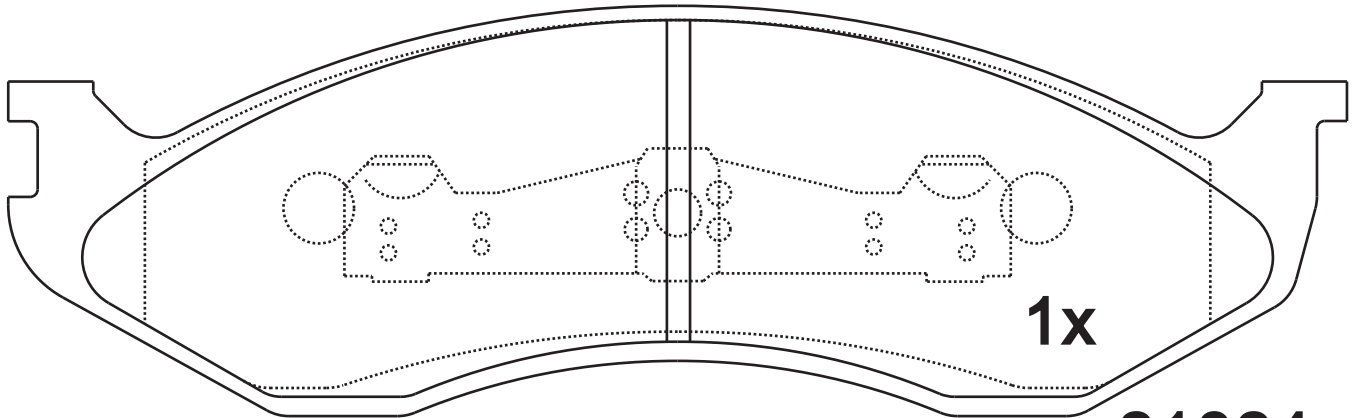


NOTE

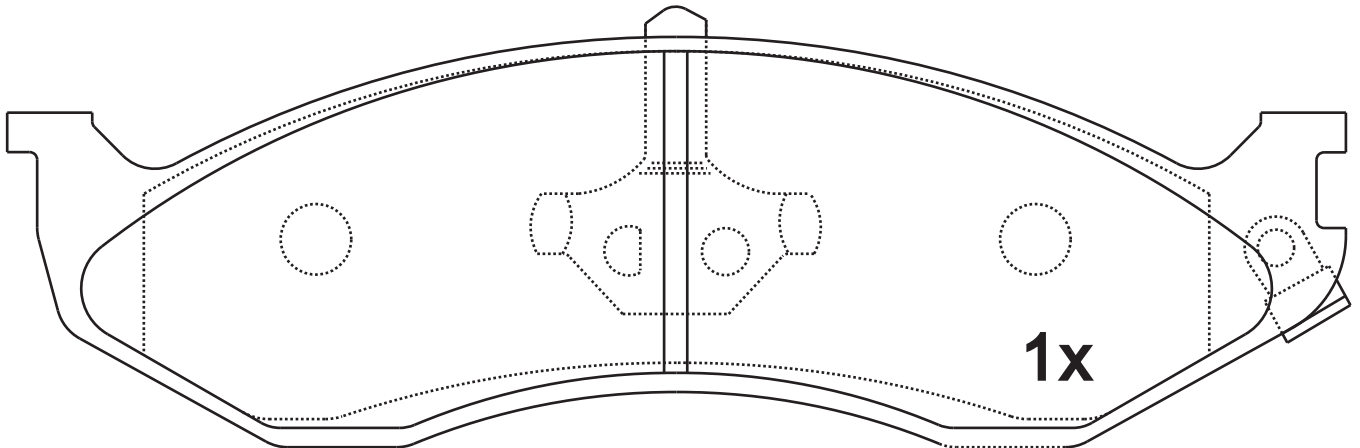
2 identical; 2 identical;



21825



21824



21823

Next Page.....

SR0854.01

**Dimension
(mm)**

177.0×54.3

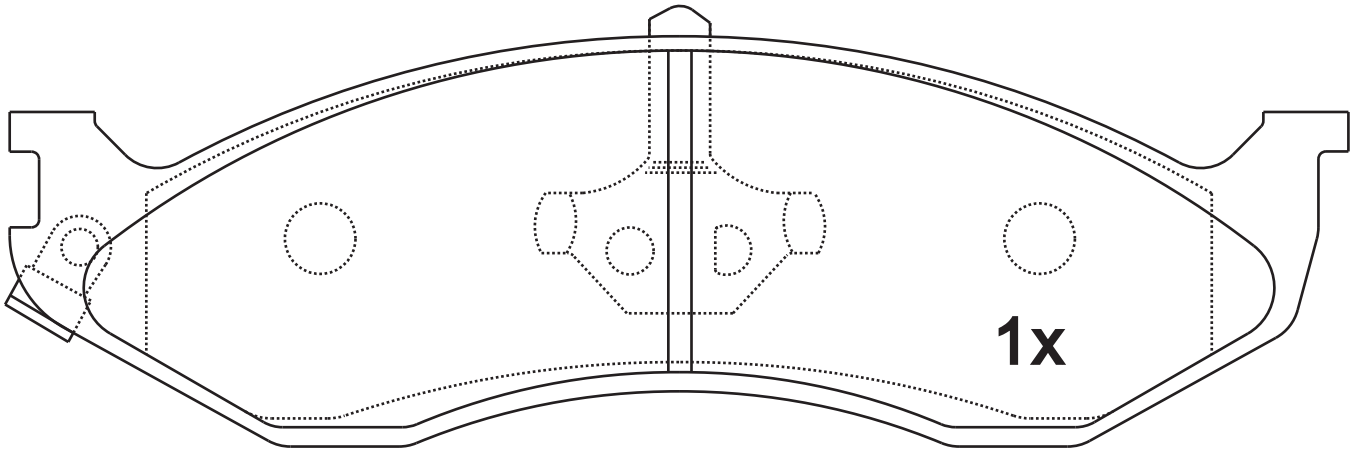
**Thickness
(mm)**

17



NOTE

2 identical;2 identical;



21822

Apply for:

Jeep Cherokee	1997-2001
Jeep Cherokee 4 x 4	1990-1993
Jeep Comanche 4 x 4	1990-1992
Jeep Grand Cherokee	1997-1998
Jeep Grand Cherokee Limited	1994
Jeep Wagoneer	1990
Jeep Wrangler	1990-1993
Jeep Wrangler Rear Drum	2003-2006
Jeep Wrangler Unlimited	2004

SR0855.01

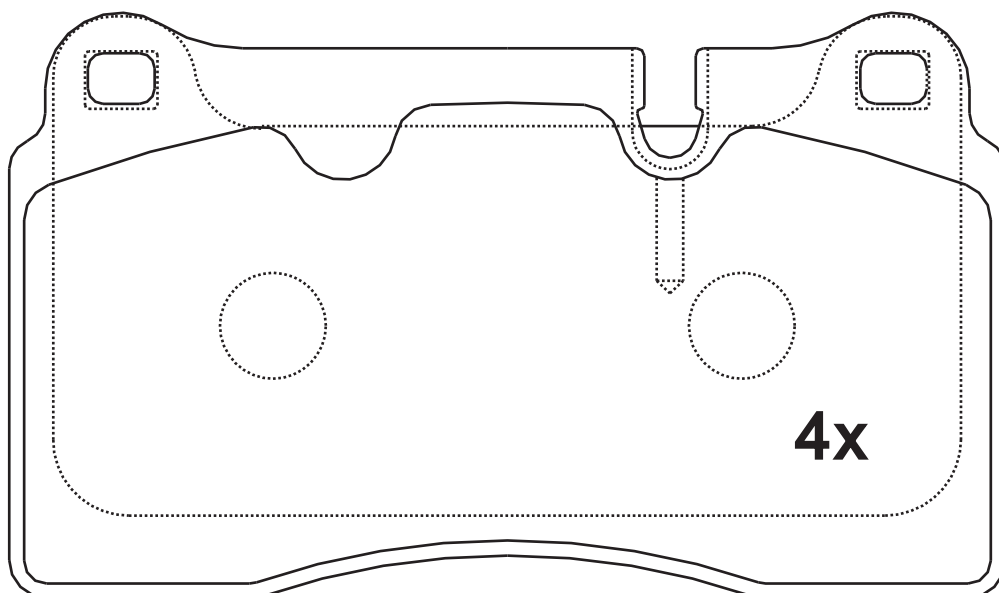
**Dimension
(mm)**

**Thickness
(mm)**



NOTE

4 identical;



20217

Apply for:

Land Rover Range Rover Sport LE	2008-
Land Rover Range Rover Sport Supercharged	2006-2009
Land Rover Range Rover Supercharged	2006-2009

SR0855.02

**Dimension
(mm)**

**Thickness
(mm)**

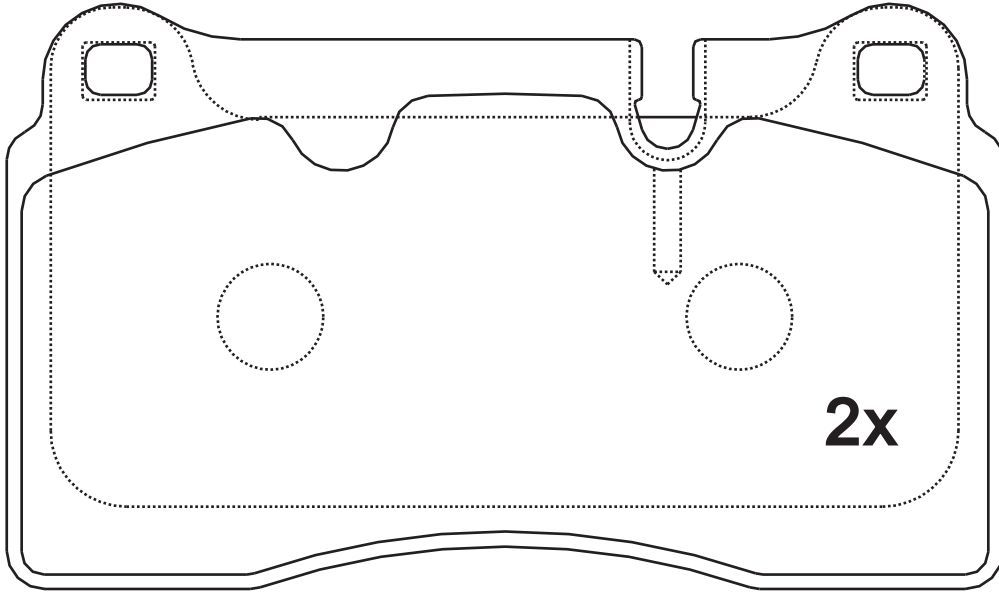


NOTE

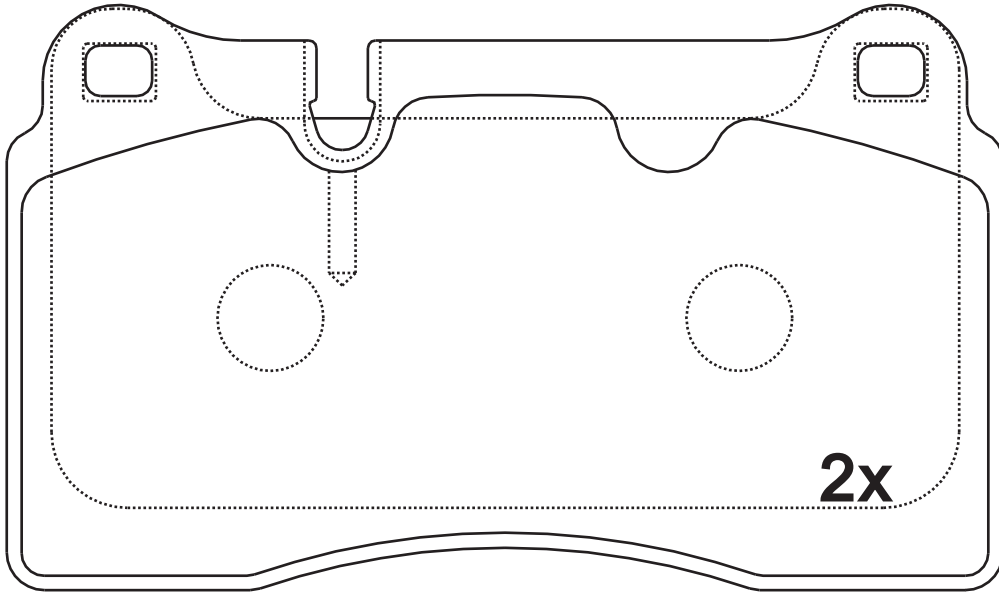
2 identical; 2 identical;

131.7×77.4

16.6



20217



20201

Apply for:

Aston Martin DB9

2005-

SR0856.01

**Dimension
(mm)**

**Thickness
(mm)**

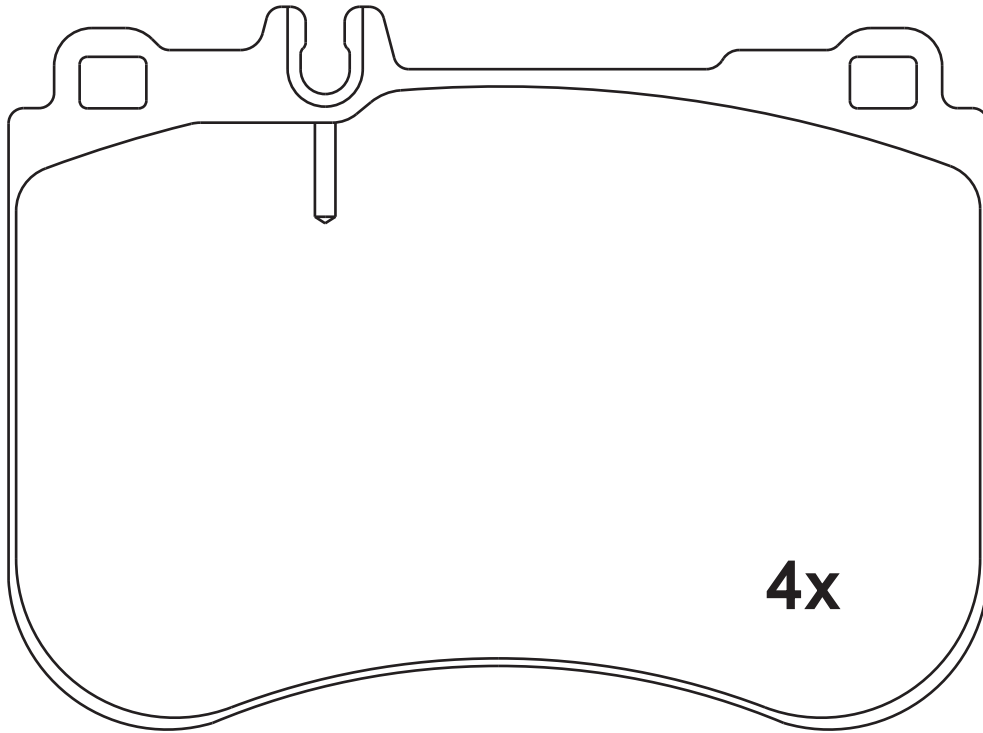


NOTE

4 identical;

129.5×95.3

17



D1782

Apply for:

Mercedes BENZ S-CLASS (W222) S500, S550 2014-

SR0857.01

**Dimension
(mm)**

127.8×92.7

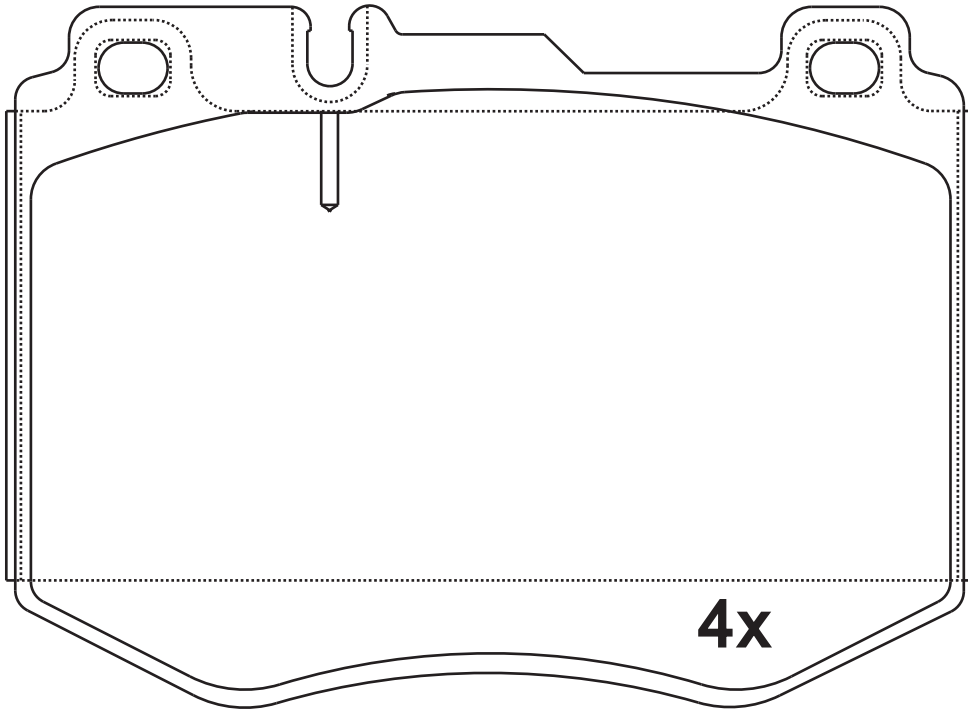
**Thickness
(mm)**

18



NOTE

4 identical;



4x

22061

Apply for:

Mercedes-Benz C300 AMG Package
Mercedes-Benz C400

2015-
2015-

SR0857

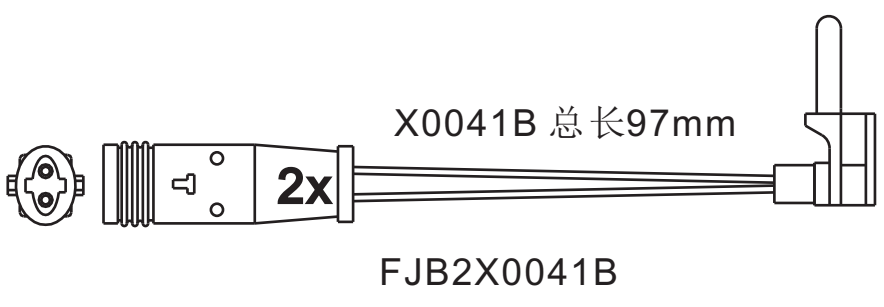
**Dimension
(mm)**

**Thickness
(mm)**



NOTE

**附件包
Accessory bag**



SR0858.01

**Dimension
(mm)**

159.5×59.8

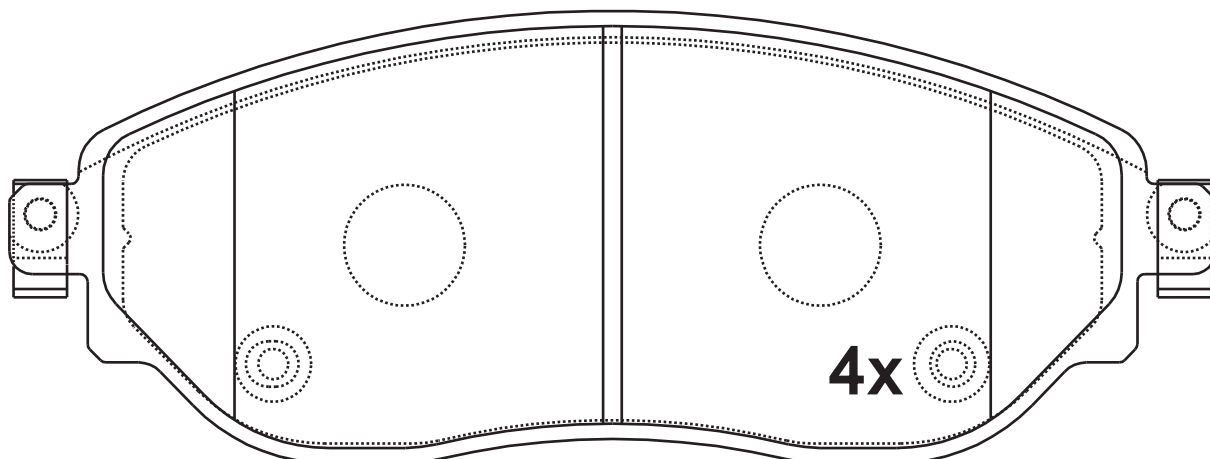
**Thickness
(mm)**

18



NOTE

4 identical;



22087

Apply for:

Opel Vivaro B Box (X82)
Renault Trafic Iii Box (Fg_)
Vauxhall Vivaro Box (X82)

2014/06-
2014/05-
2014/05-

SR0858

**Dimension
(mm)**

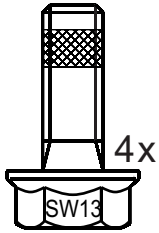
**Thickness
(mm)**



NOTE

附件包

Accessory kit



M8X22

L0020

FJB0280.01

SR0859.01

**Dimension
(mm)**

155.15×61.9

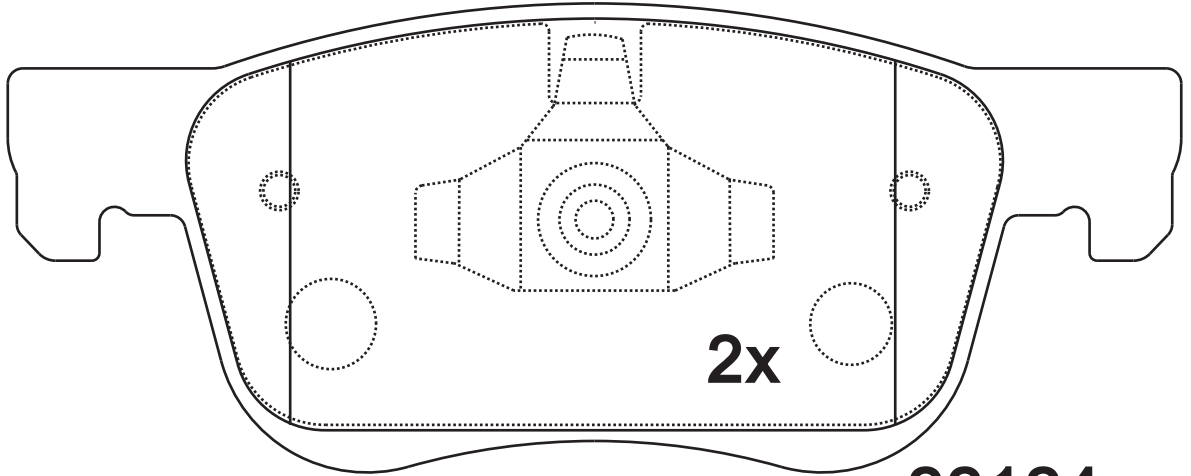
**Thickness
(mm)**

17.8

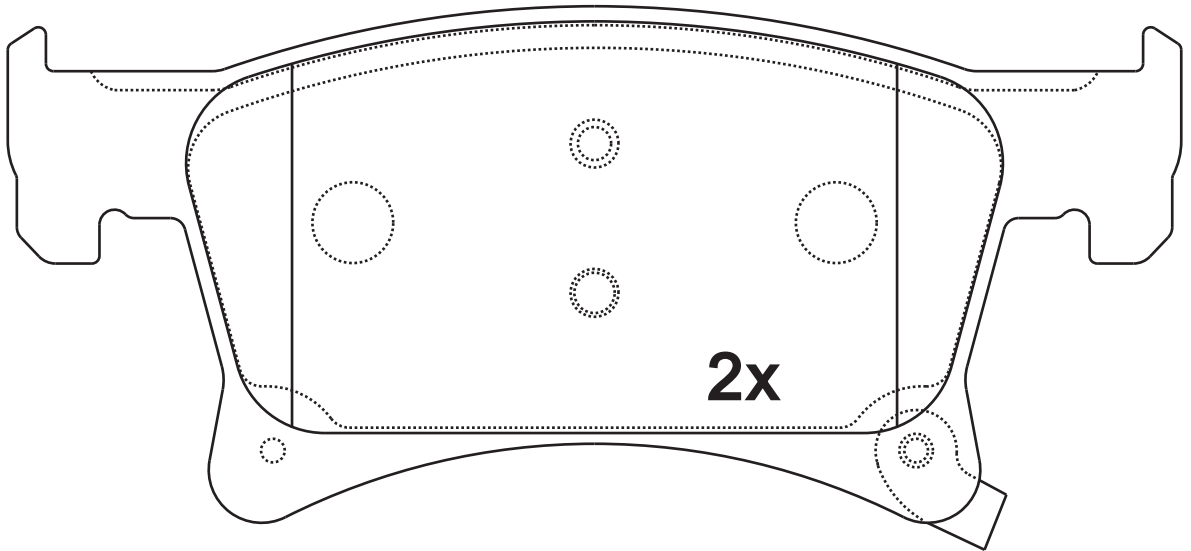


NOTE

2 identical;2 identical;



22124



22123

Apply for:

Opel Adam (M13)

Vauxhall Adam (M13)

2012/10-

2012/10-

SR0860.01

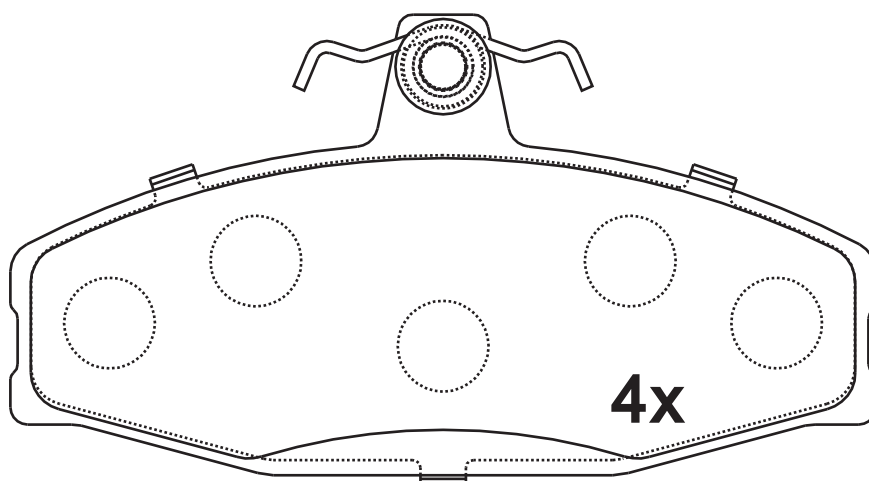
**Dimension
(mm)**

**Thickness
(mm)**



NOTE

4 identical;



21662

Apply for:

Skoda Favorit (781)

Skoda Favorit Forman (785)

Volkswagen Caddy li Pickup (9U7)

1989/05-1994/09

1988/06-1995/06

1996/06-2000/12

SR0861.01

**Dimension
(mm)**

150.28×52.5

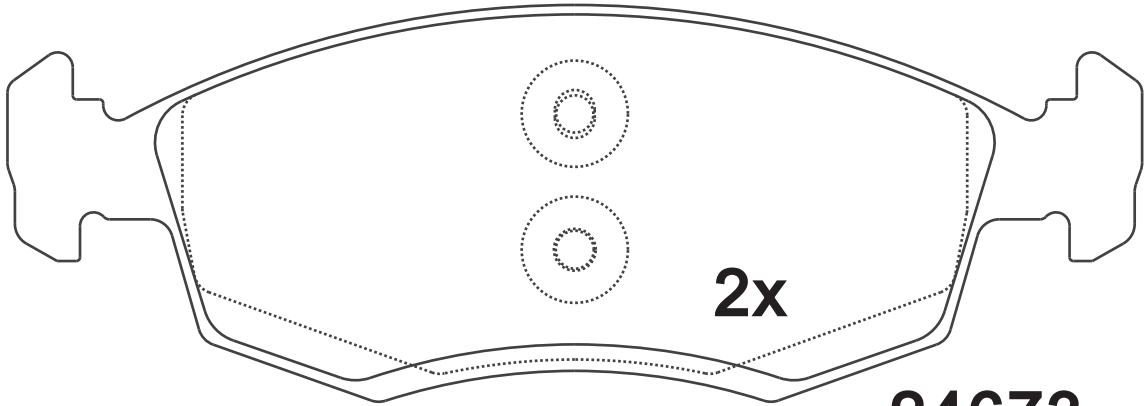
**Thickness
(mm)**

17.8

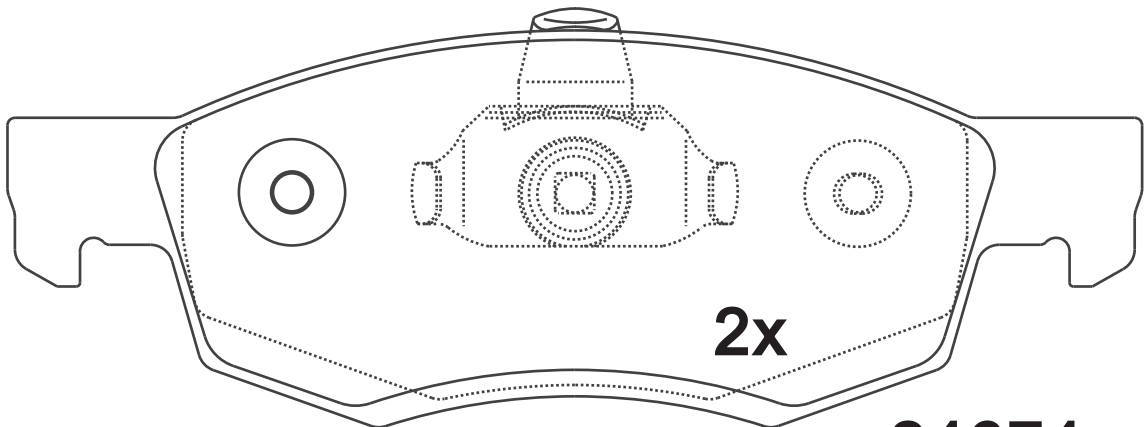


NOTE

2 identical;2 identical;



24673



24674

Apply for:

Alpina B3 Estate (E46)

Bmw 3 (E46)

Bmw (Brilliance) 3 Series (E46)

1999/03-2006/01

1998/02-2005/04

2003/07-2005/06

SR0862.01

**Dimension
(mm)**

151×56.5
151×60.4

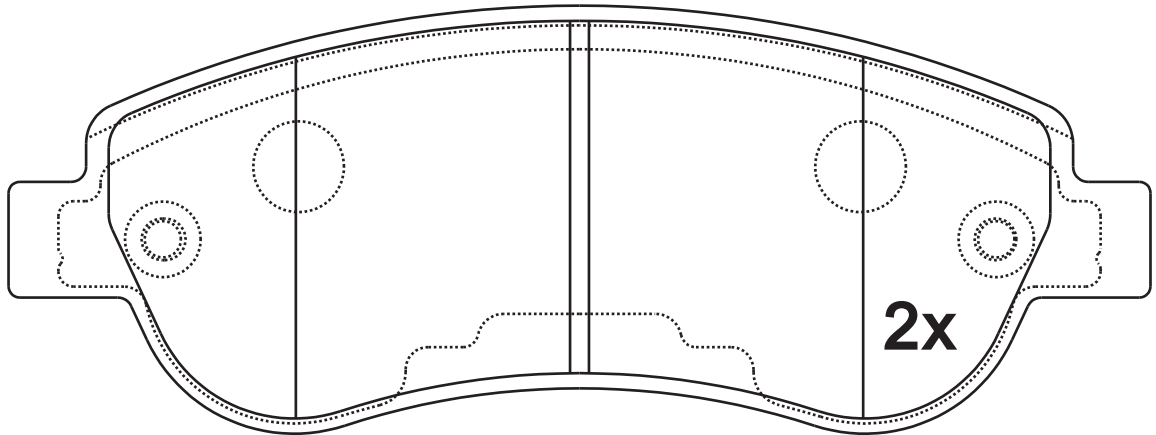
**Thickness
(mm)**

19.3



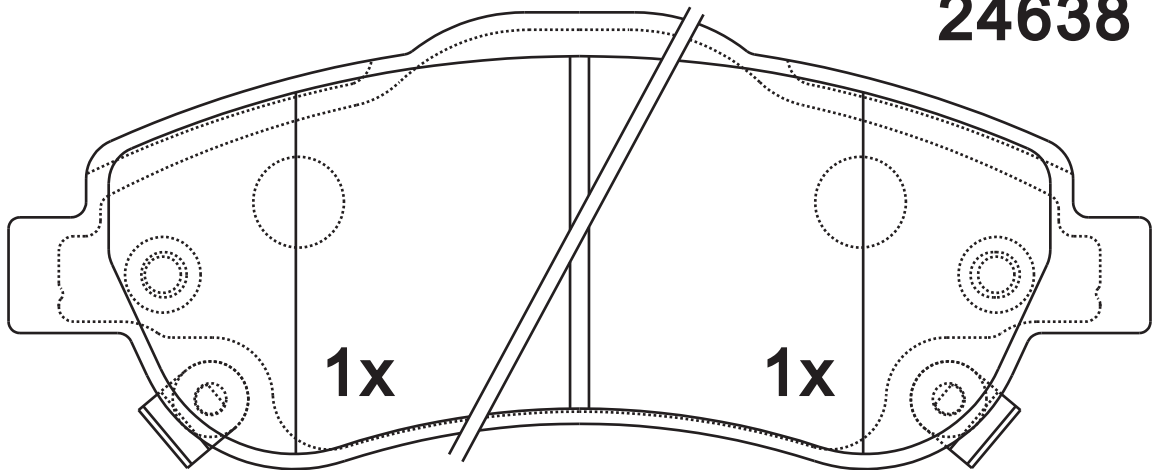
NOTE

2 identical;2 identical;



2x

24638



1x

1x

24640

24639

Apply for:

Acura Rdx
Honda Cr-V Iii (Re_)

2006/04-2012/12
2006/06-

SR0862

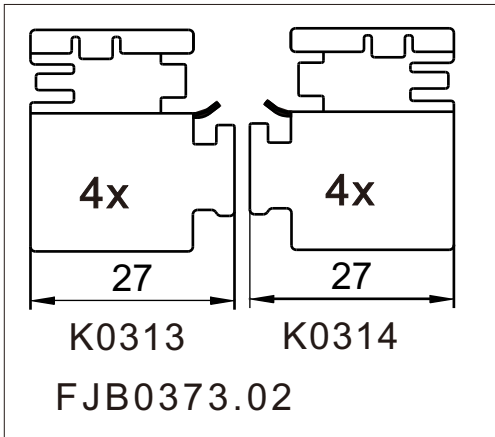
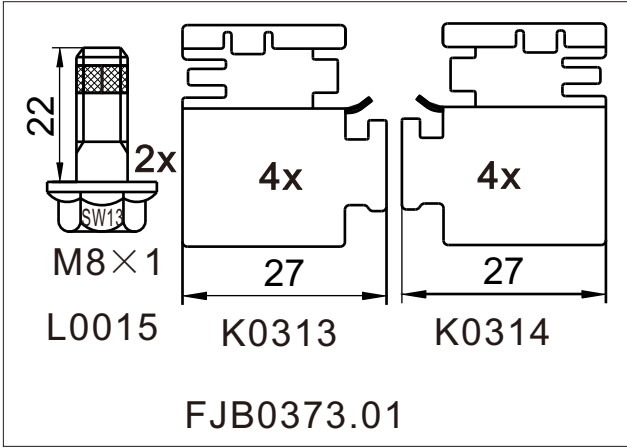
**Dimension
(mm)**

**Thickness
(mm)**



NOTE

**附件包
Accessory bag**



SR0863.01

**Dimension
(mm)**

**Thickness
(mm)**

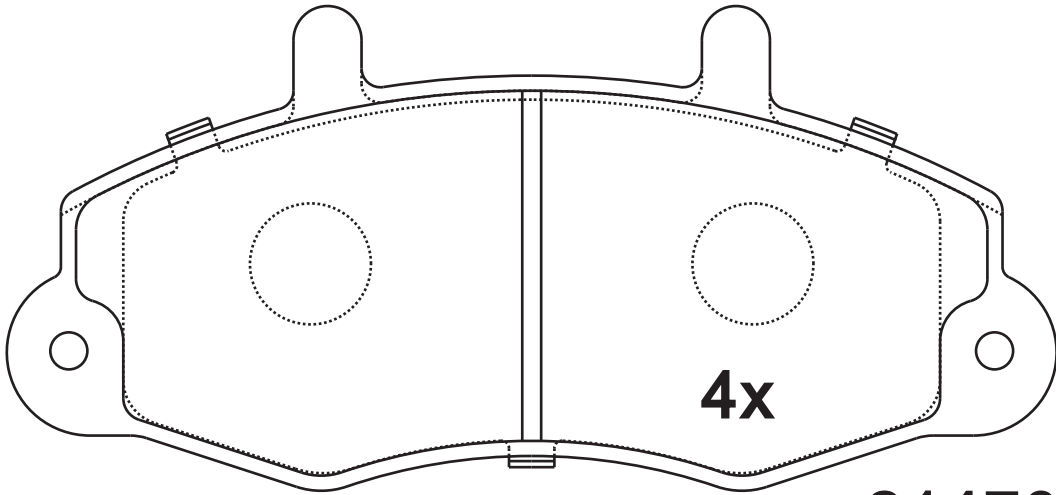


NOTE

4 identical;

138.7×64.1

18.8



21470

Apply for:

Ford Transit Box (E_ _)
Ford (Jmc) Transit Box

1991/05-1994/06
1998/01-2008/01

SR0864.01

**Dimension
(mm)**

87×52.8

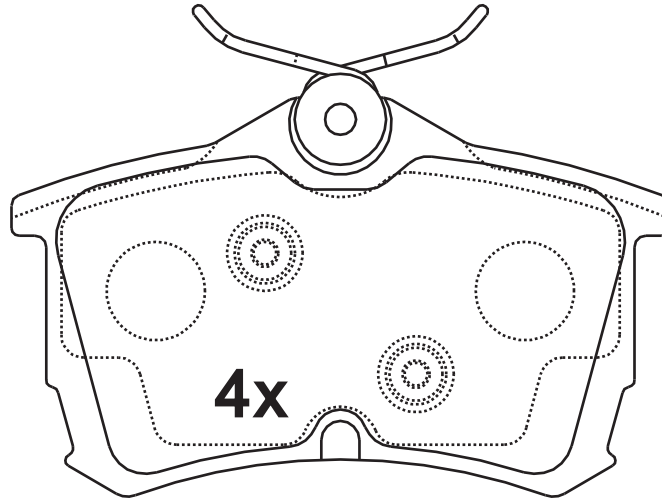
**Thickness
(mm)**

15.3



NOTE

4 identical;



2x

23527

B0205


Apply for:

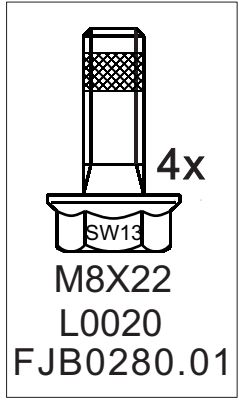
Honda Accord Vi

1997/03-2003/12

Honda Accord Vi Aerodeck (Cf)

1997/07-2005/09

SR0864	Dimension (mm)	Thickness (mm)		NOTE



SR0865.01

**Dimension
(mm)**

**Thickness
(mm)**

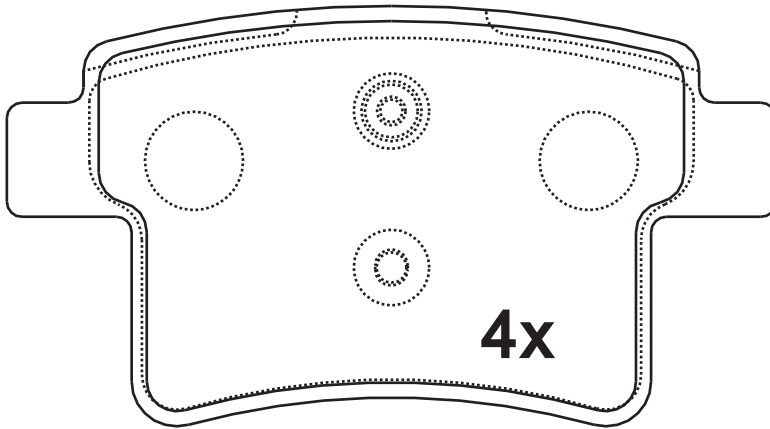


NOTE

4 identical;

101.7×55.6

16.9



25816

Apply for:

Buick (saic gm)-

SR0866.01

**Dimension
(mm)**

163.1×81/90.7

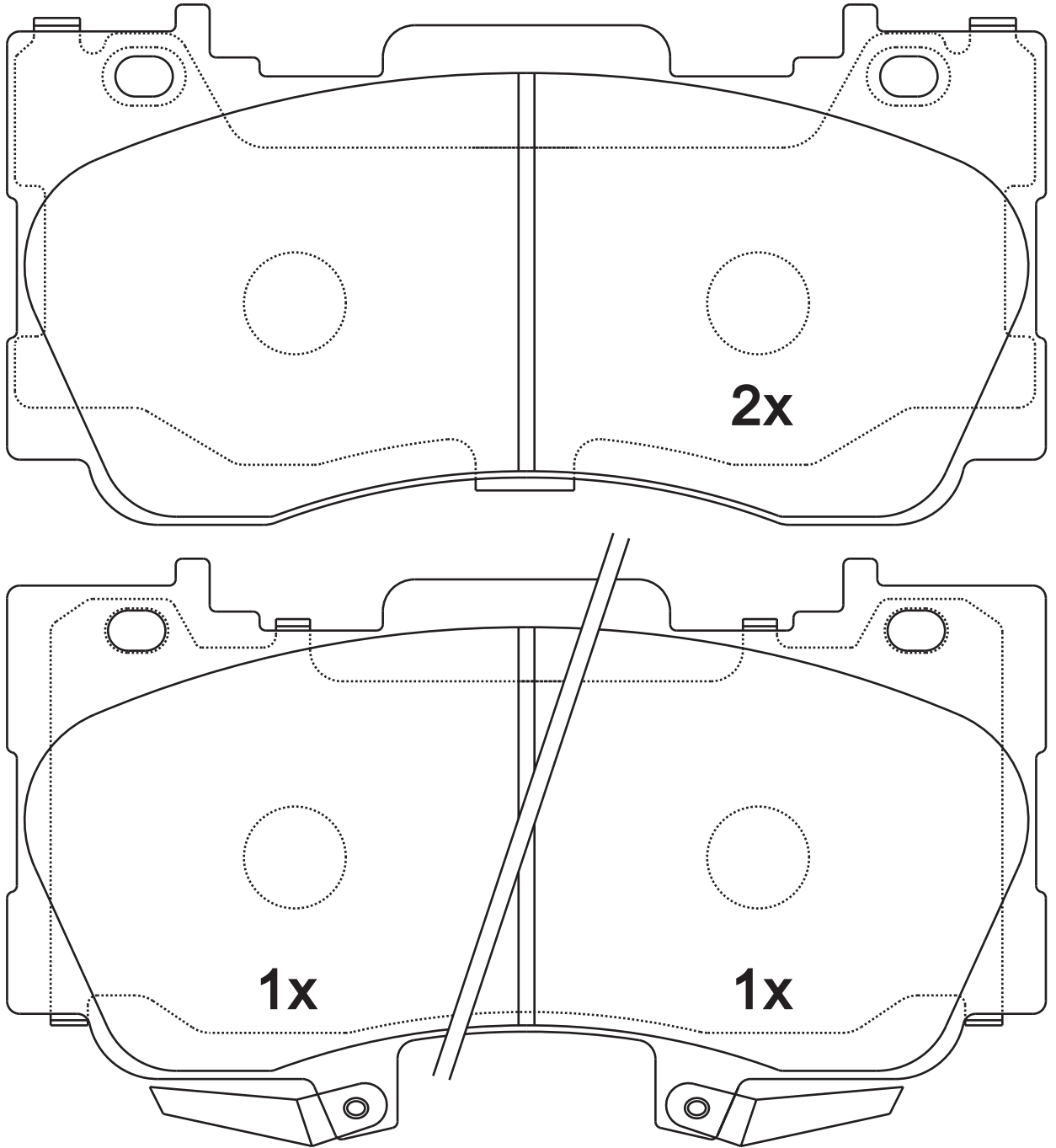
**Thickness
(mm)**

17



NOTE

2 identical; 2 identical,
1 with acoustic indicator
(left), 1 with acoustic
indicator (right).





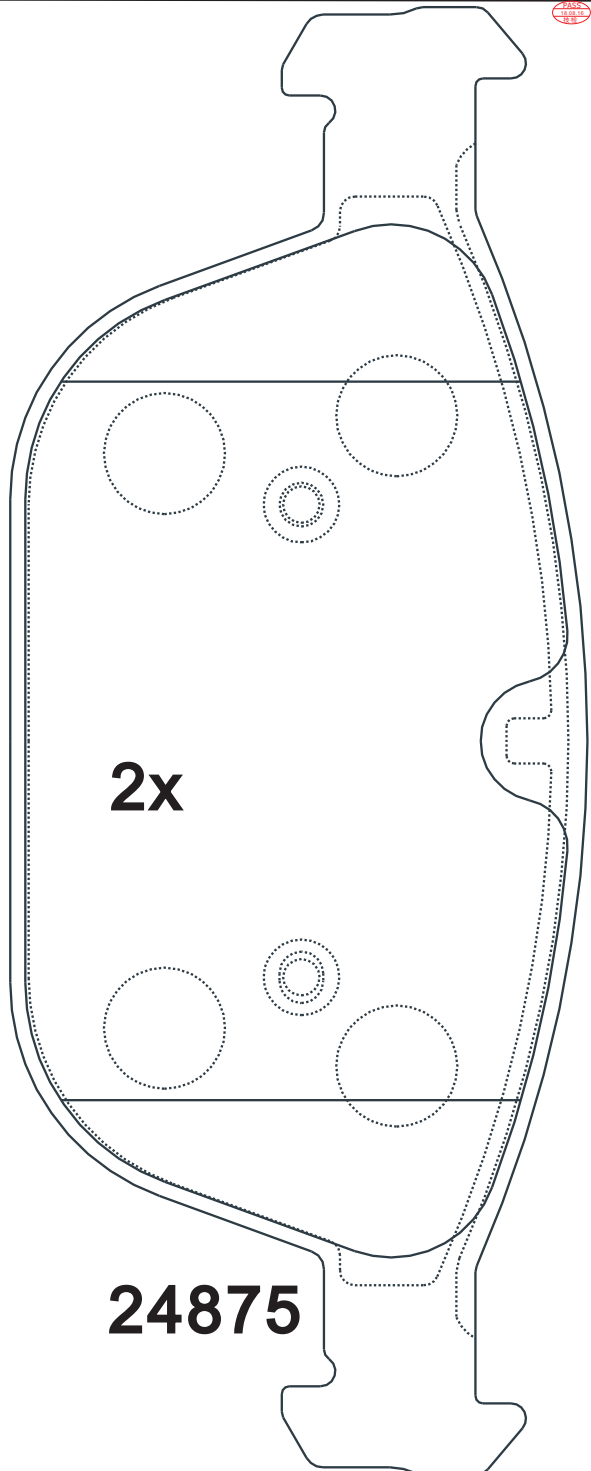
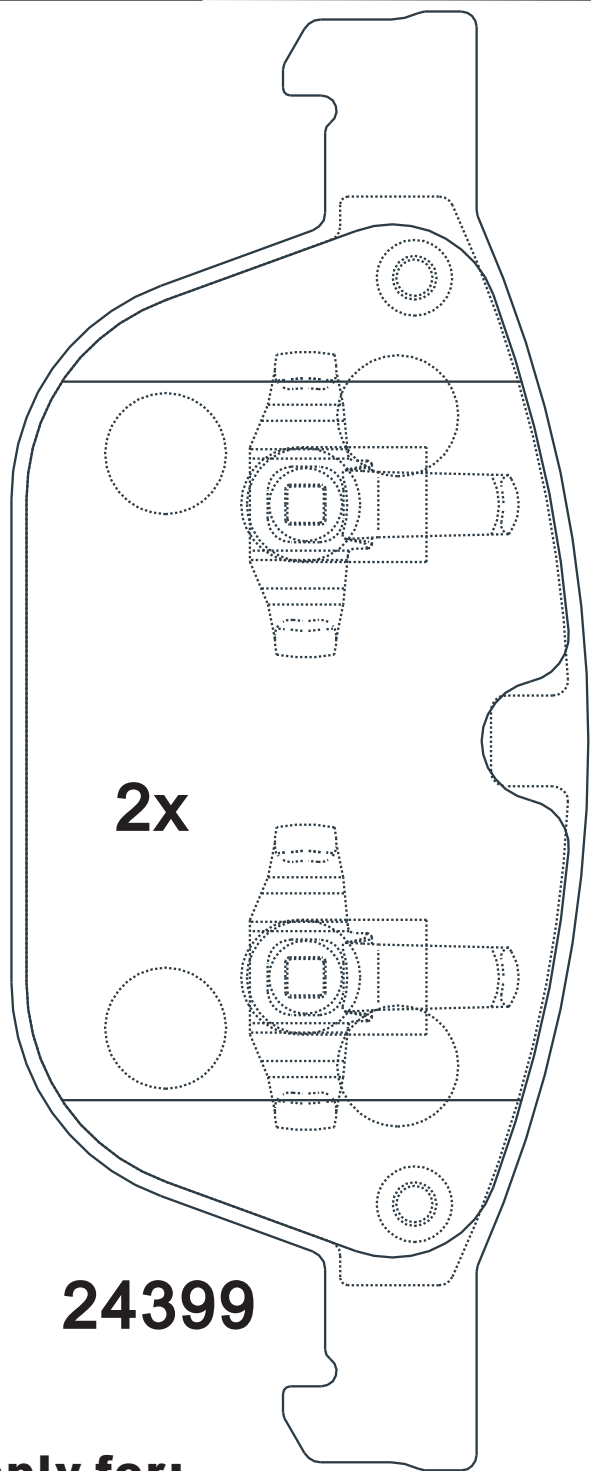
D1784

Apply for:

Ford Mustang Boss Racing

2015-

SR0867.01	Dimension (mm)	Thickness (mm)		NOTE
	193.1/194.3×76.2	19.8		2 identical; 2 identical;



Apply for:

Volvo XC60
 Volvo XC90 328mm Brake Rotors

2010-2014
 2003-2014

SR0868.01

**Dimension
(mm)**

131.7×62.1

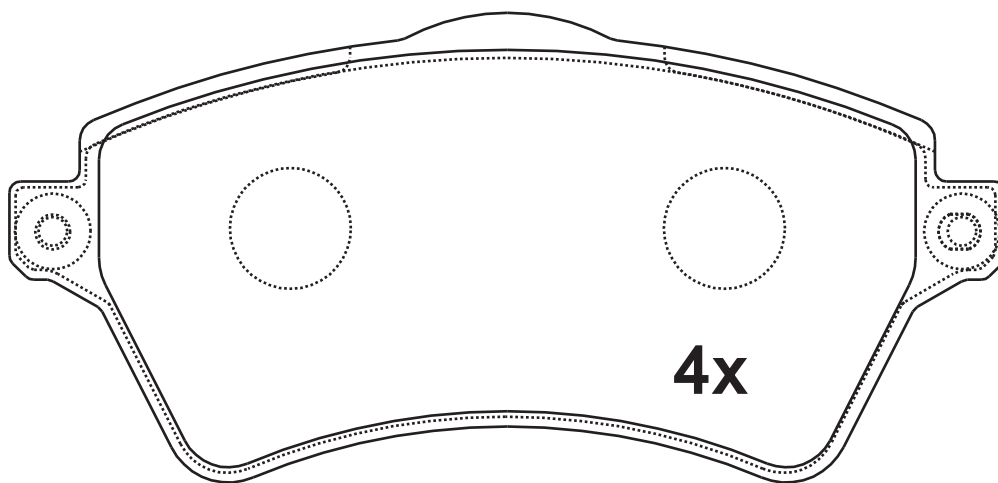
**Thickness
(mm)**

18.2



NOTE

4 identical;



23615

Apply for:

Land Rover Freelander

2002-2005

SR0868

**Dimension
(mm)**

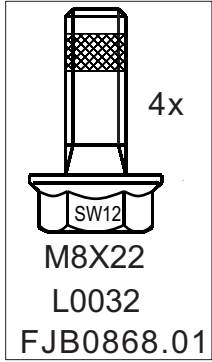
**Thickness
(mm)**



NOTE

附件包

Accessory kit



SR0869.01

**Dimension
(mm)**

130.7×45/51

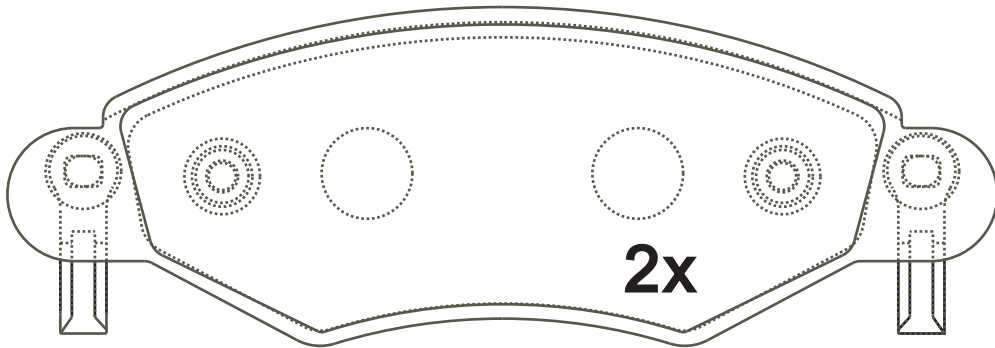
**Thickness
(mm)**

17



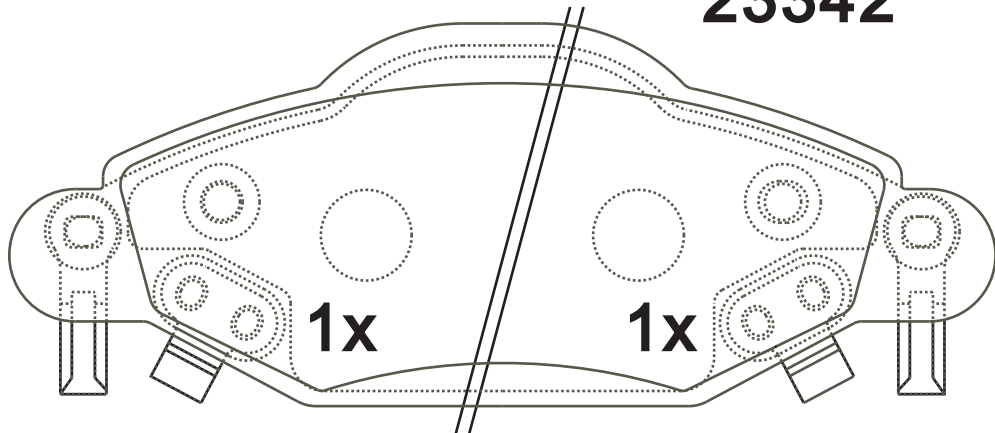
NOTE

**2 identical; 2 identical,
1 with acoustic indicator
(left), 1 with acoustic
indicator (right).**



2x

23342



1x

1x

23341

23340

Apply for:

Toyota Yaris (Latin America)

1999-2005

SR0869

**Dimension
(mm)**

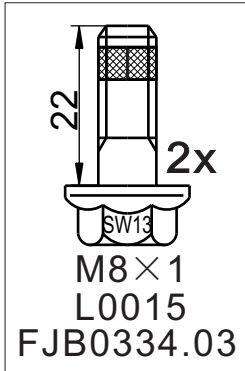
**Thickness
(mm)**



NOTE

附件包

Accessory kit



SR0870.01

**Dimension
(mm)**

108.9×42.1

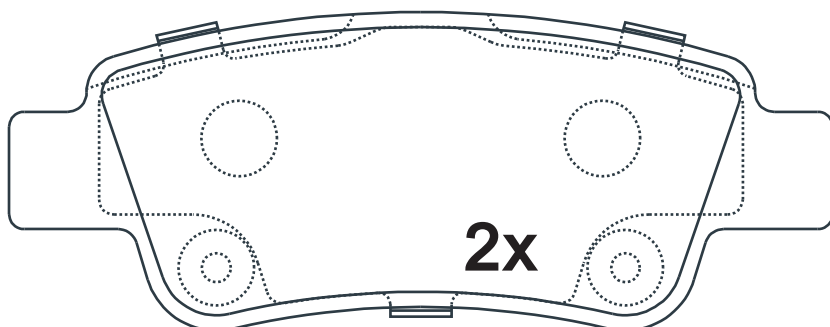
**Thickness
(mm)**

16.5

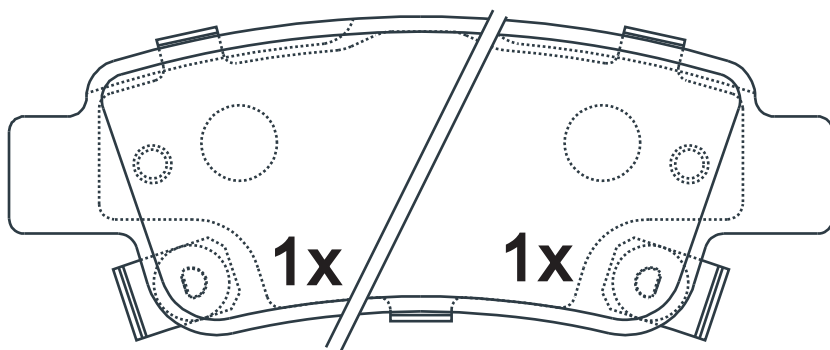


NOTE

4 identical; 1 with acoustic indicator (left), 1 with acoustic indicator (right).



24635



24637

24636

Apply for:

HONDA CR-V IV (RE)
HONDA CRV第五代越野车

2012/01-
2006/06-

SR0870

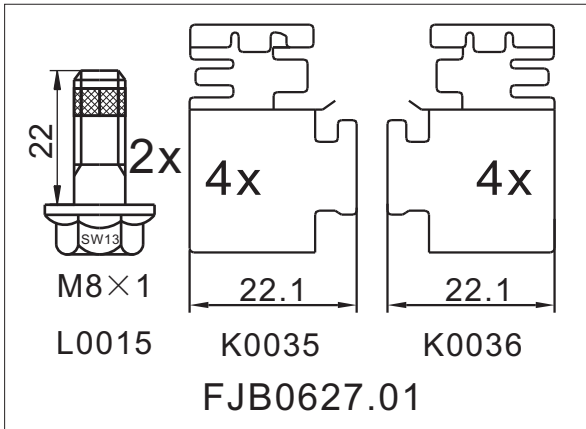
**Dimension
(mm)**

**Thickness
(mm)**



NOTE

**附件包
Accessory bag**



SR0871.01

**Dimension
(mm)**

**Thickness
(mm)**



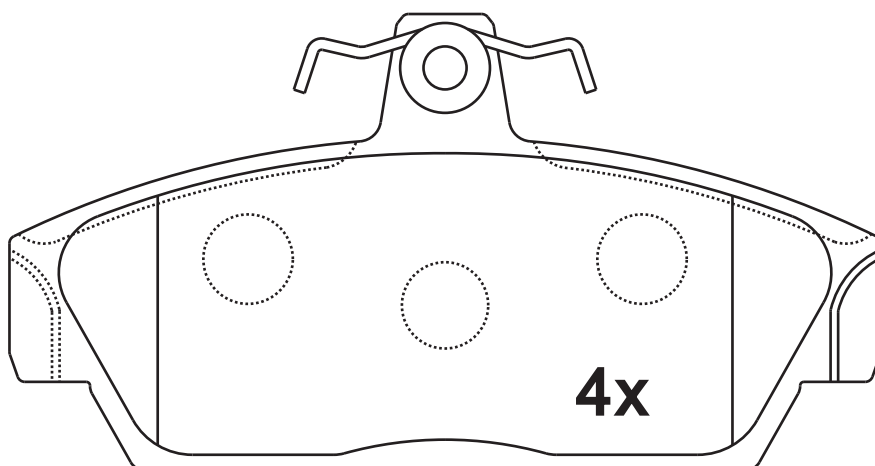
NOTE
4 identical;

115.2×60.4

17



无磨具



21518

Apply for:

Rover 100 / Metro Hatchback (Xp) 1989/11-1998/12
Rover 100 Convertible (Xp) 1994/04-1998/12

SR0872.01

**Dimension
(mm)**

131.7×49.2

**Thickness
(mm)**

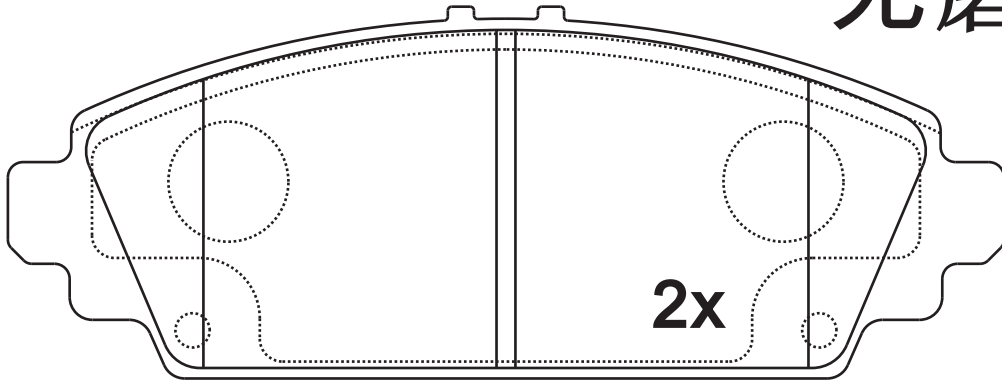
17.1



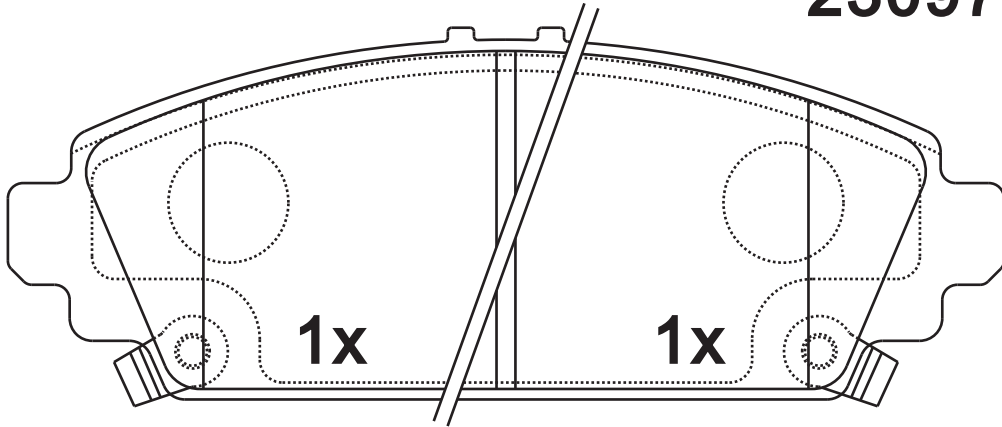
NOTE

4 identical; 1 with
acoustic indicator (left),
1 with acoustic indicator
(right).

无磨具

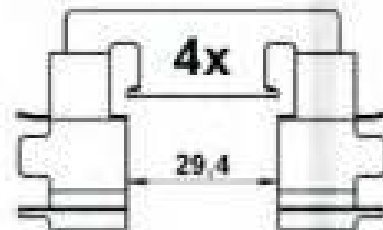
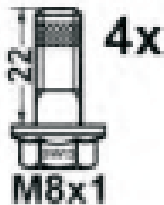


23097



23529

23528





Apply for:

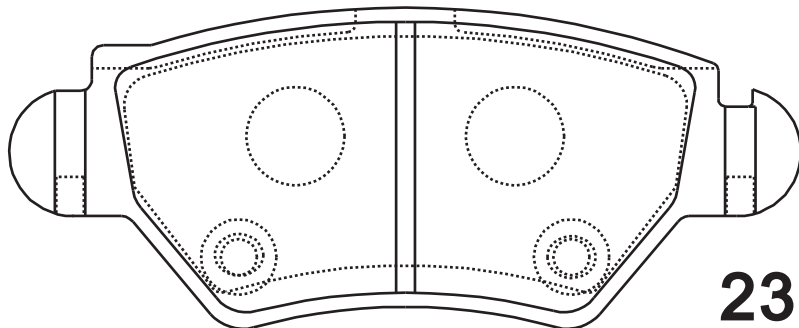
Honda Accord Vi

1997/03-2003/12

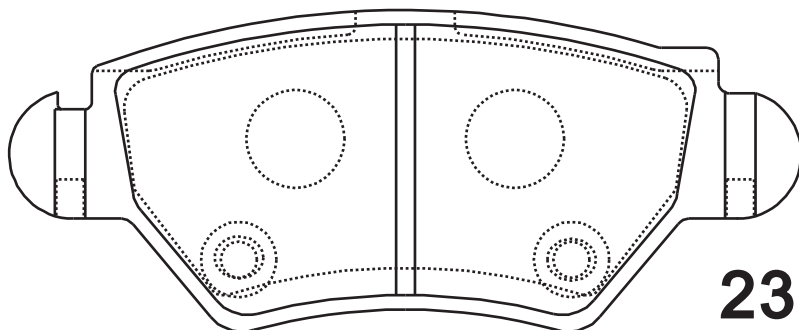
SR0873.01

Dimension (mm)	Thickness (mm)	
104.7×42.5	16.5	

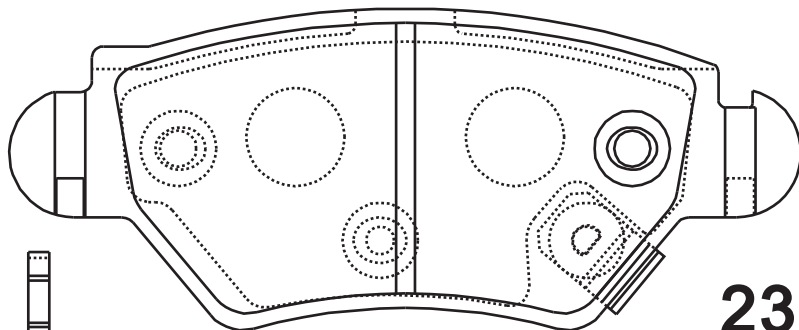
NOTE
1 identical;1 identical;
1 identical;1 identical;



23258



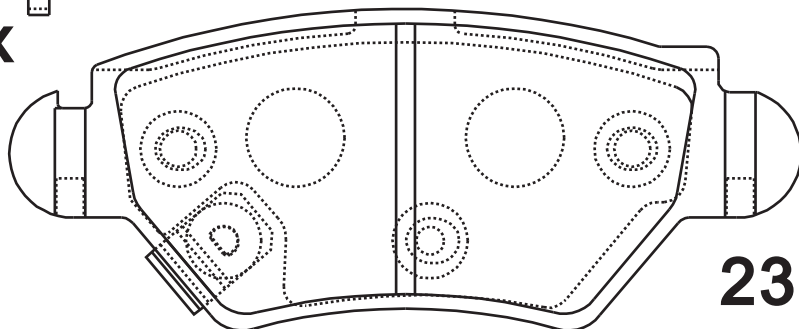
23259



23262



8x



23263

Apply for:

Opel Astra (Latin America)
Opel Astra 2.0 (Latin America)

2002-2005
1998-2001

SR0873

**Dimension
(mm)**

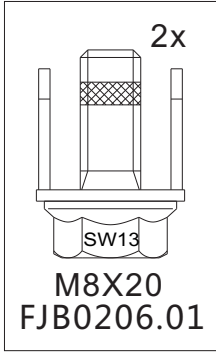
**Thickness
(mm)**



NOTE

附件包

Accessory kit



SR0874.01

**Dimension
(mm)**

164.3×58.1

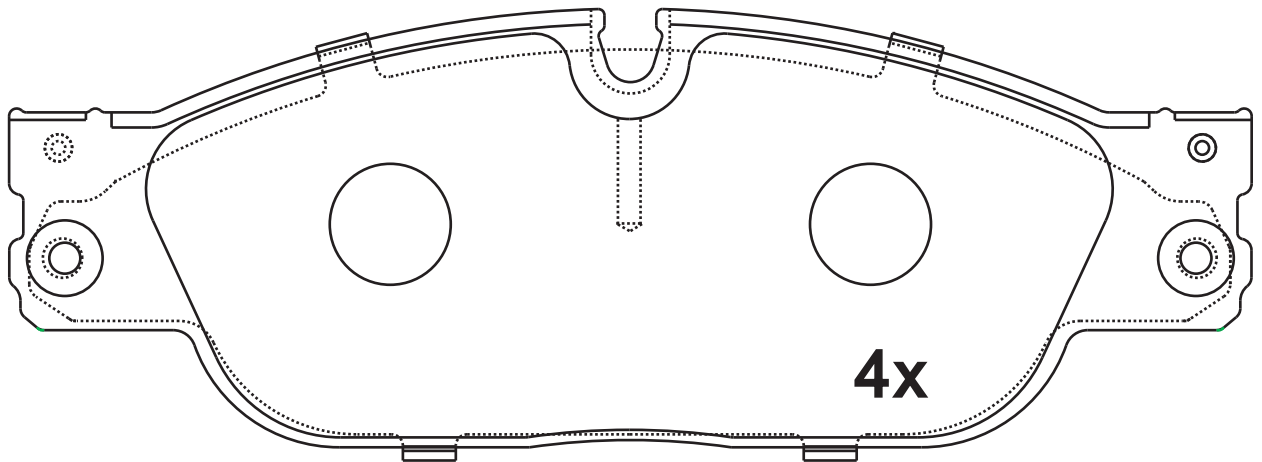
**Thickness
(mm)**

17.8

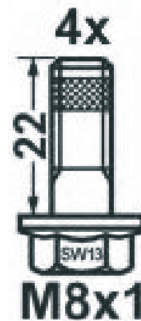
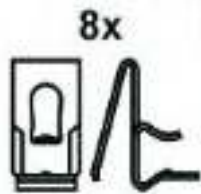


NOTE

4 identical;



23908



Apply for:

Jaguar S-Type
Jaguar XJ8

2005-2006
2005-

SR0875.01

**Dimension
(mm)**

95.5×43.7

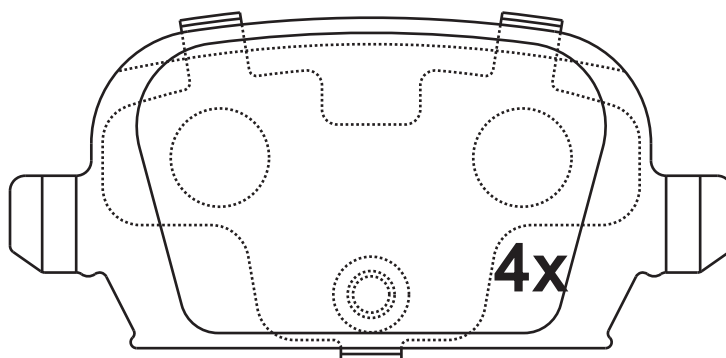
**Thickness
(mm)**

14



NOTE

4 identical;



23284



Apply for:

Chevrolet Astra (Latin America)

2000-2005

SR0875

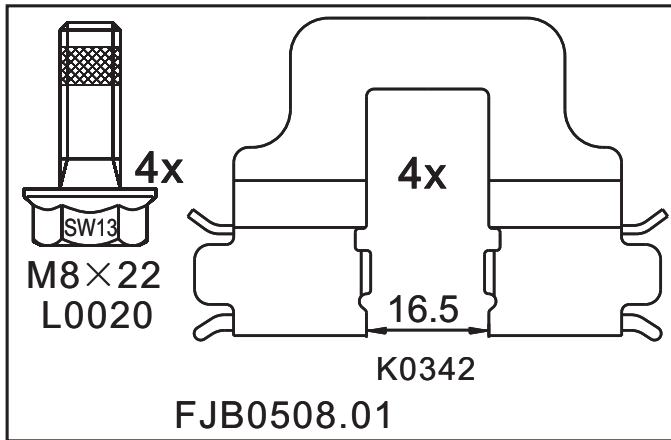
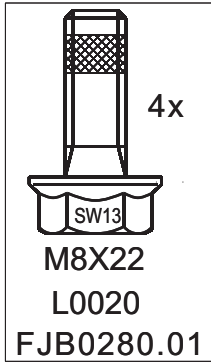
**Dimension
(mm)**

**Thickness
(mm)**



NOTE

**附件包
Accessory bag**



SR0876.01

**Dimension
(mm)**

150.9×54.9

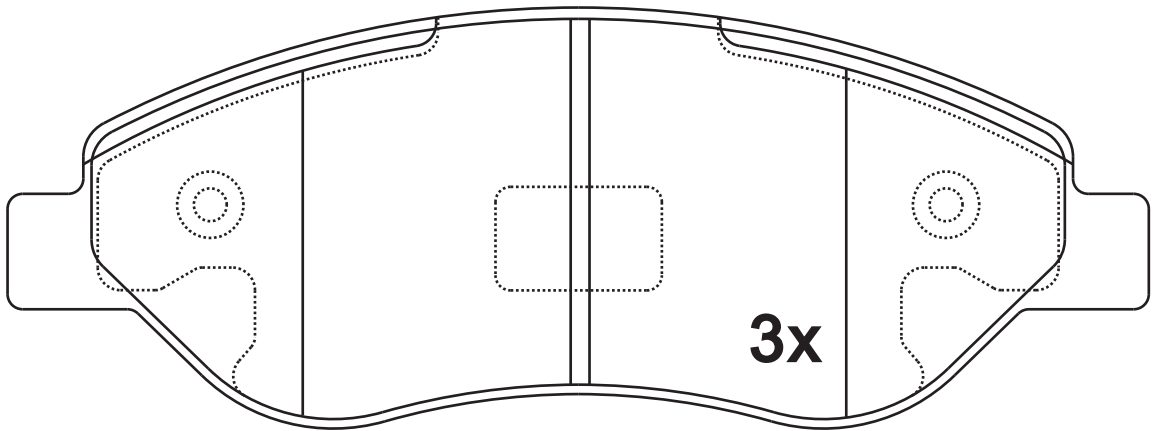
**Thickness
(mm)**

19.5

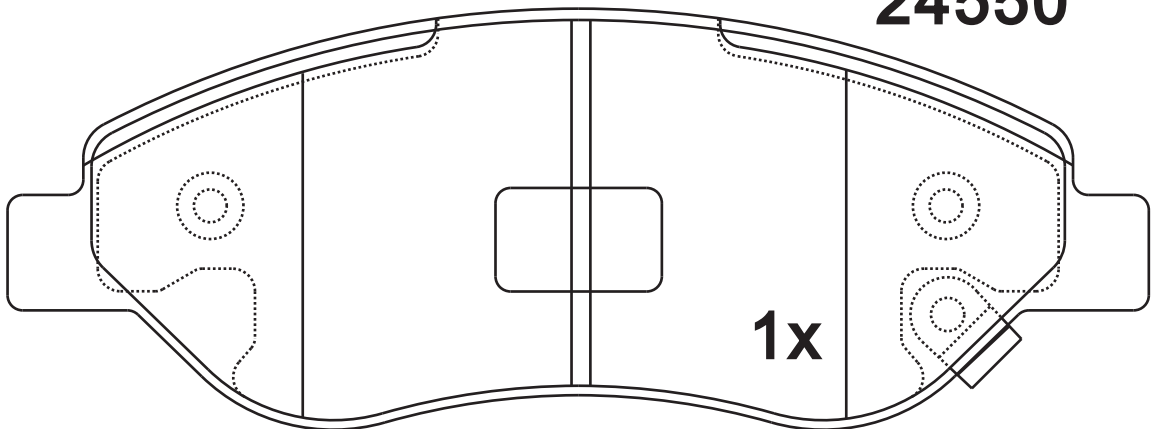


NOTE

**4 identical;1 with
acoustic indicator(right).**



24550



24551

Apply for:

Opel Corsa D (S07)
Vauxhall Corsa Mk Iii (D) (S07)

2006/07-2014/08
2006/07-2014/08

SR0876

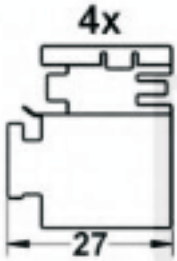
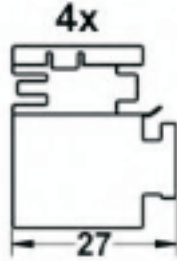
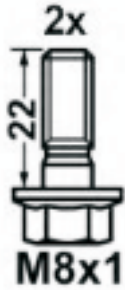
**Dimension
(mm)**

**Thickness
(mm)**



NOTE

**附件包
Accessory bag**



L0015 K0313+K0314

FJB0373.01

SR0877.01

**Dimension
(mm)**

123.9×64.6

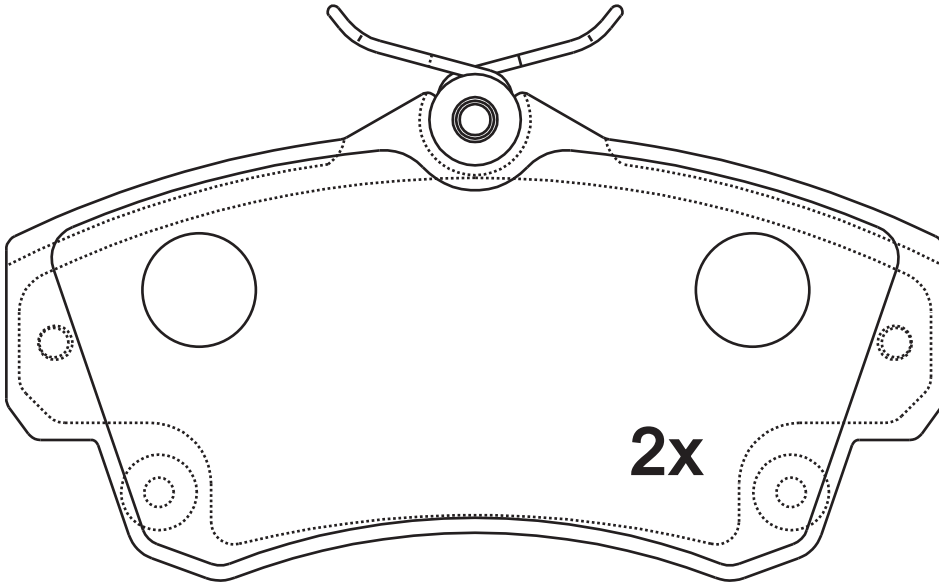
**Thickness
(mm)**

20

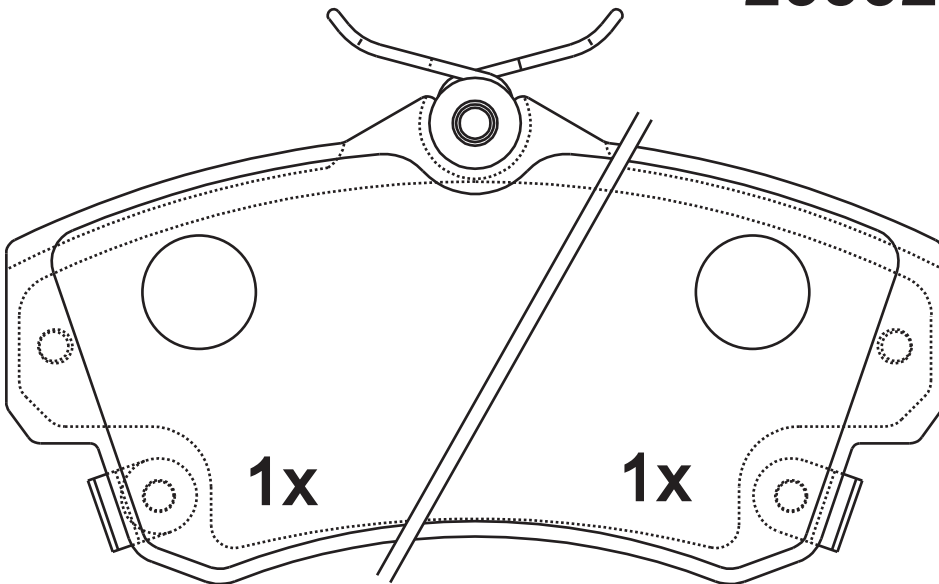


NOTE

4 identical, 1 with acoustic indicator (left), 1 with acoustic indicator (right).



23532



23533

23534

Apply for:

Chrysler PT Cruiser	2001-2010
Chrysler PT Cruiser GT	2006-2007
Chrysler PT Cruiser Turbo	2003-2004
Dodge Neon SRT-4	2003-2005

SR0877

**Dimension
(mm)**

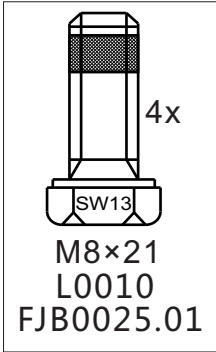
**Thickness
(mm)**



NOTE

附件包

Accessory kit



SR0878.01

**Dimension
(mm)**

141.1×72.6

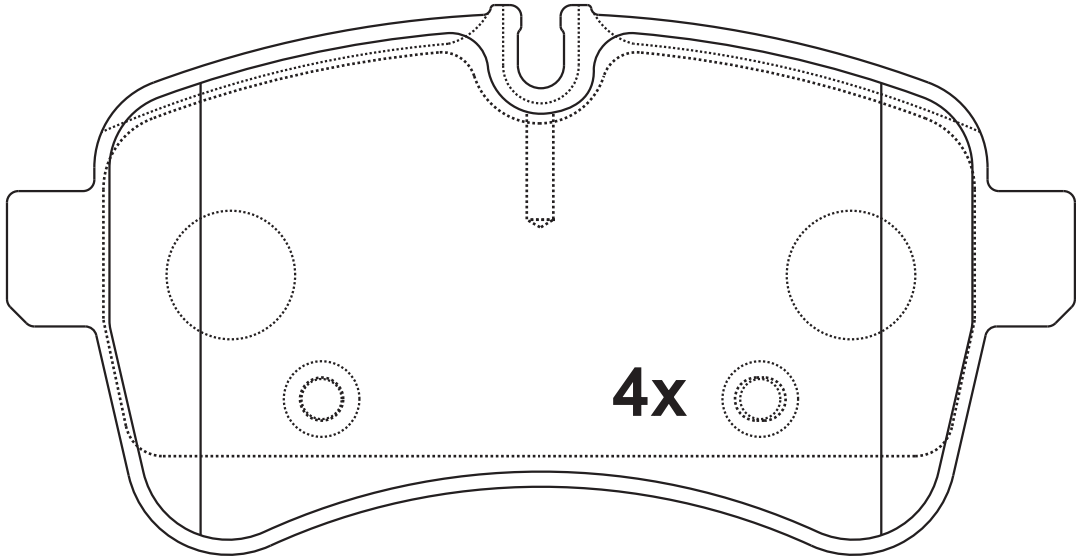
**Thickness
(mm)**

21



NOTE

4 identical;



29232

Apply for:

Iveco Daily Iii

2006/05-

SR0878

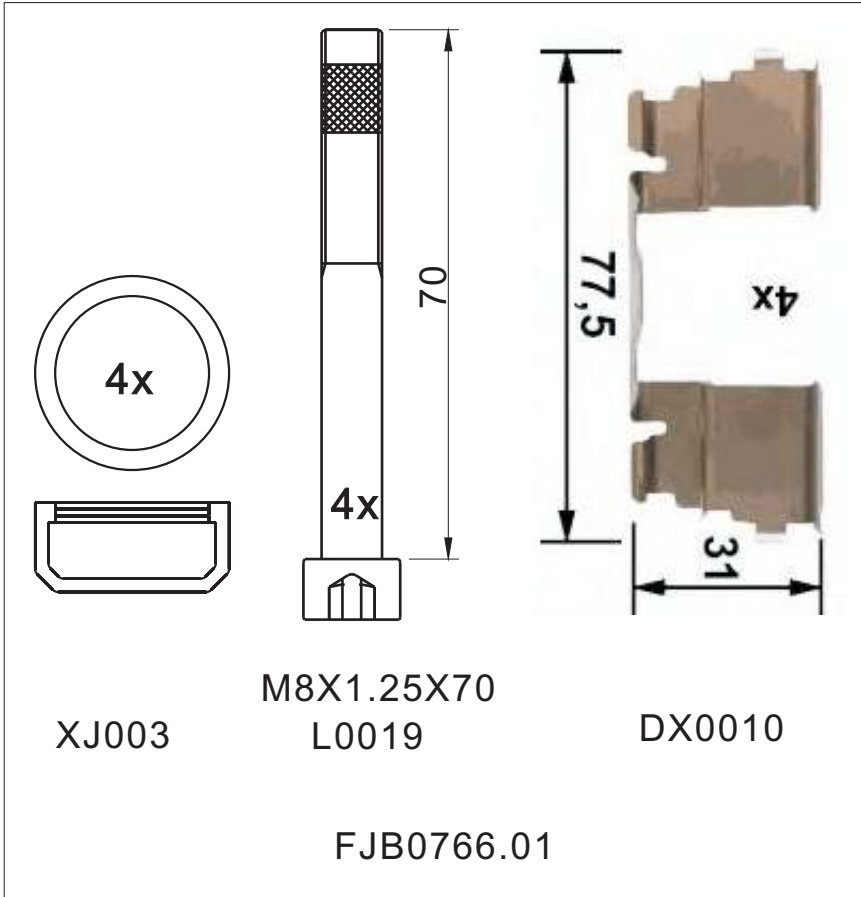
**Dimension
(mm)**

**Thickness
(mm)**



NOTE

附件包
Accessory bag



SR0879.01

**Dimension
(mm)**

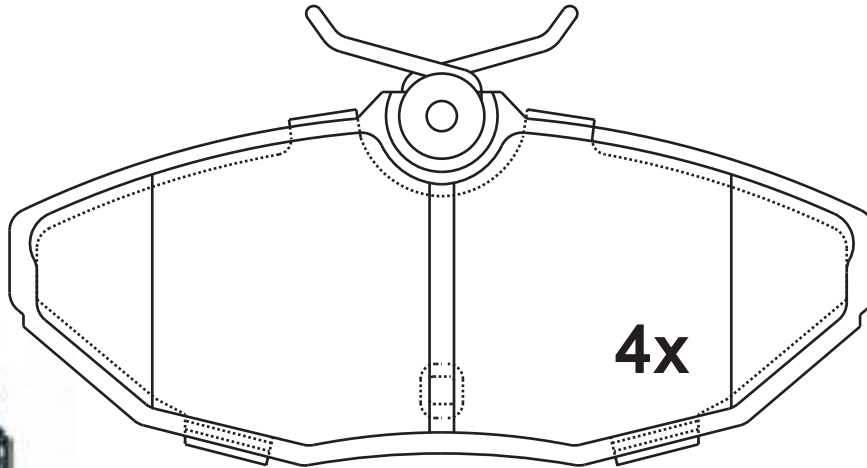
**Thickness
(mm)**



NOTE
4 identical;

114.3×49.5

17.8



23424

Apply for:

- | | |
|--------------------|-----------|
| Ford Thunderbird | 2002-2005 |
| Jaguar S-Type | 2000-2006 |
| Jaguar Vanden Plas | 2004-2005 |
| Jaguar XJ8 | 2004-2005 |
| Lincoln LS | 2000-2002 |
| Lincoln LS | 2004-2006 |

SR0880.01

**Dimension
(mm)**

129.8×63

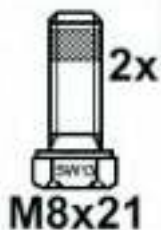
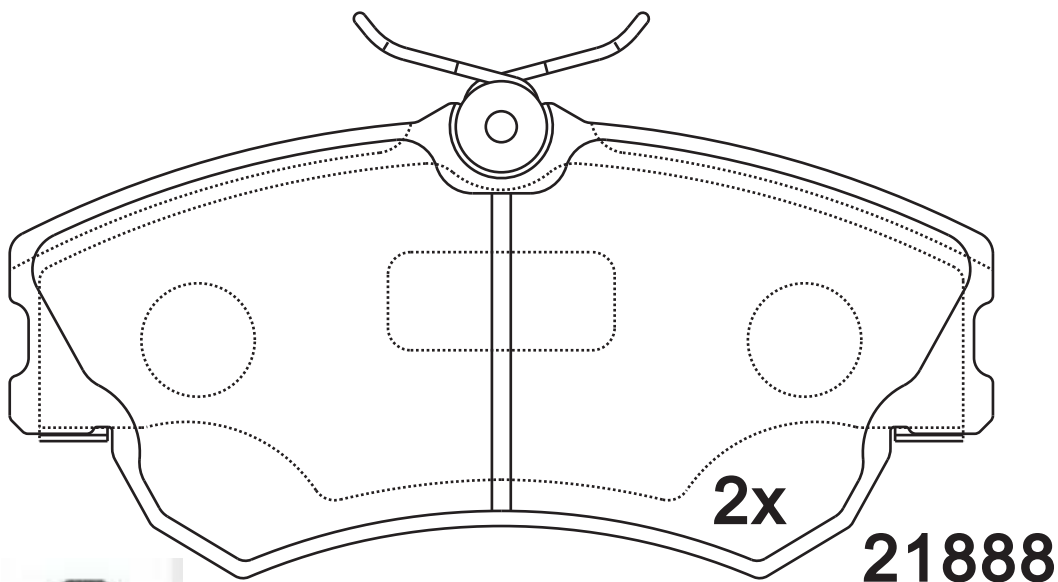
**Thickness
(mm)**

18.1

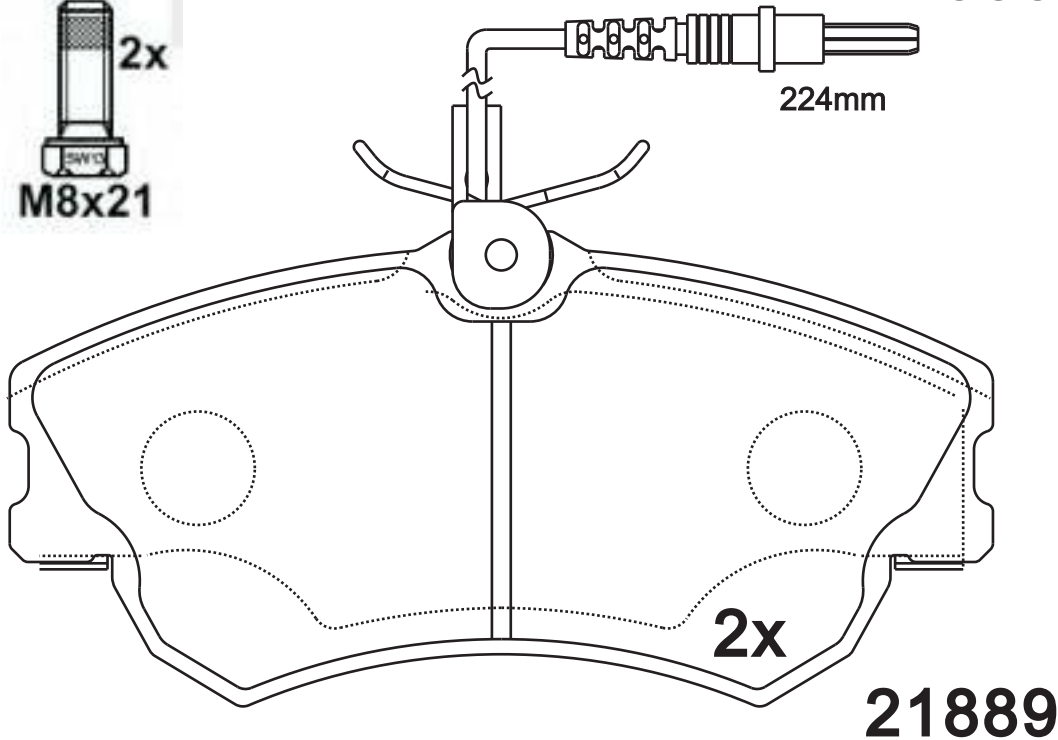


NOTE

**4 identical, 2 identical
with spring.**



224mm



Apply for:

Renault Espace Iii (Je0_)

1996/11-2002/10

SR0880

**Dimension
(mm)**

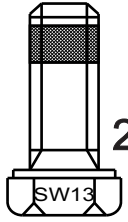
**Thickness
(mm)**



NOTE

附件包

Accessory kit



2x

**M8X21
L0010
FJB0003.01**

SR0881.01

**Dimension
(mm)**

117.5×65.6

**Thickness
(mm)**

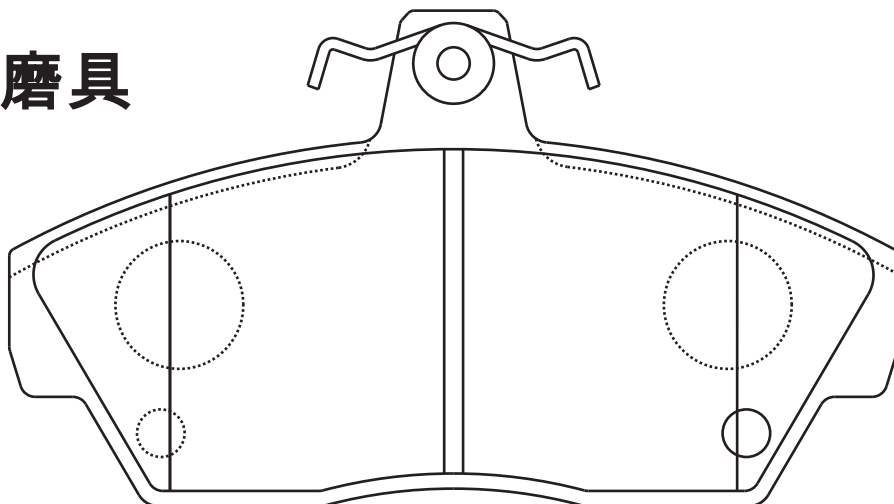
17.5



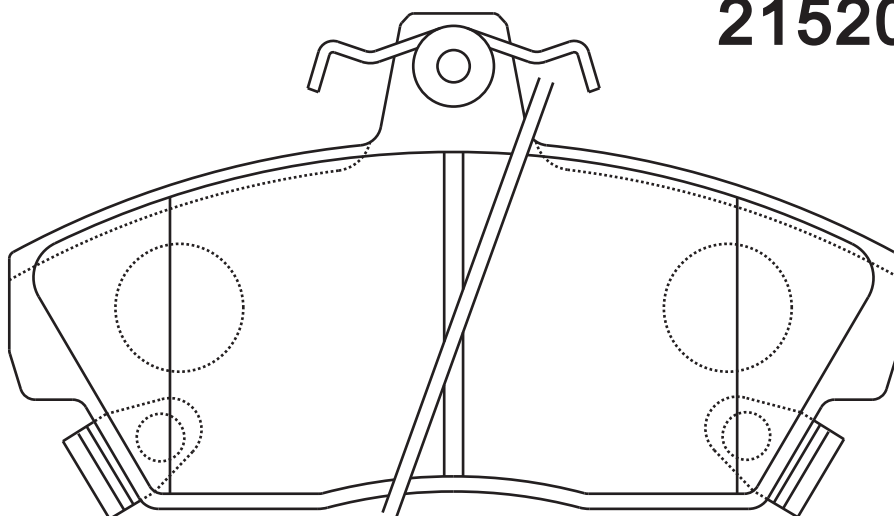
NOTE

4 identical, 1 with
acoustic indicator (left),
1 with acoustic indicator
(right).

无磨具



21520



21521

21522

Apply for:

Rover 200 Convertible (Xw)
Rover 200 Hatchback (Xw)

1990/04-1999/11
1989/10-1995/12

SR0882.01

**Dimension
(mm)**

**Thickness
(mm)**

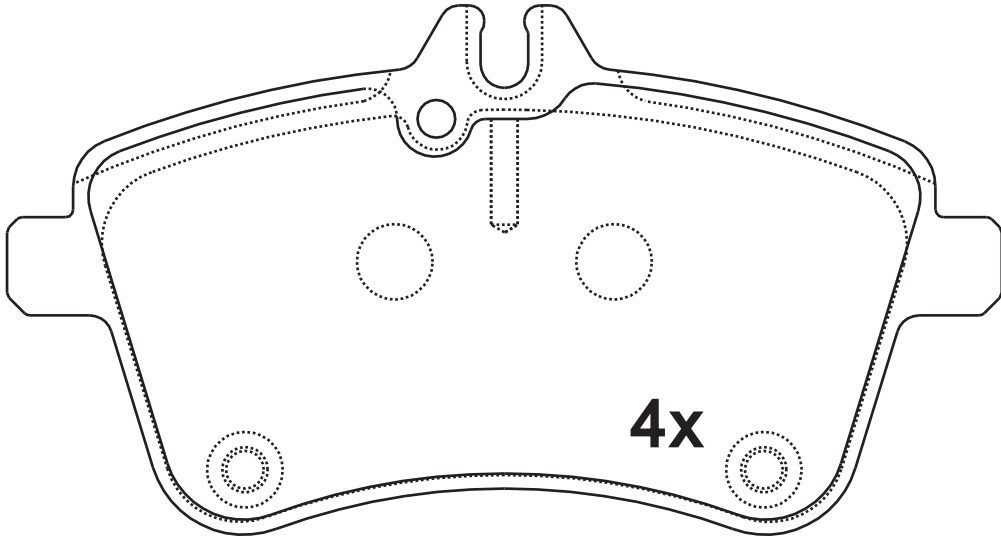


NOTE

4 identical;

131.5×70

20



23881

Apply for:

Mercedes-BENZ B200 Canada

2008

SR0882

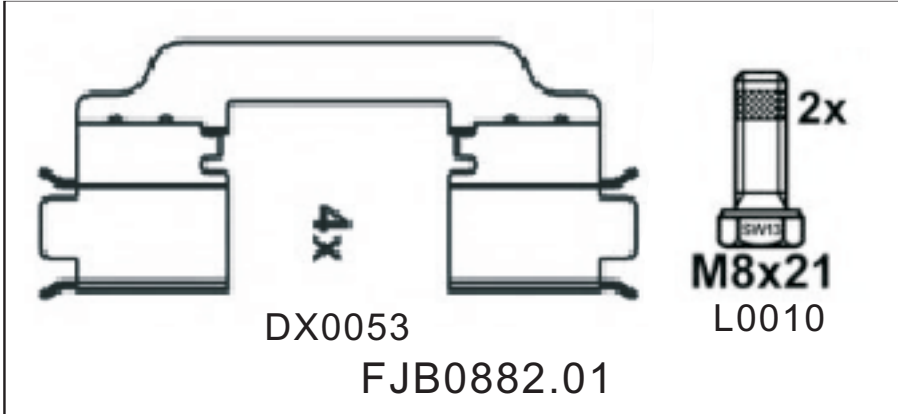
**Dimension
(mm)**

**Thickness
(mm)**




NOTE

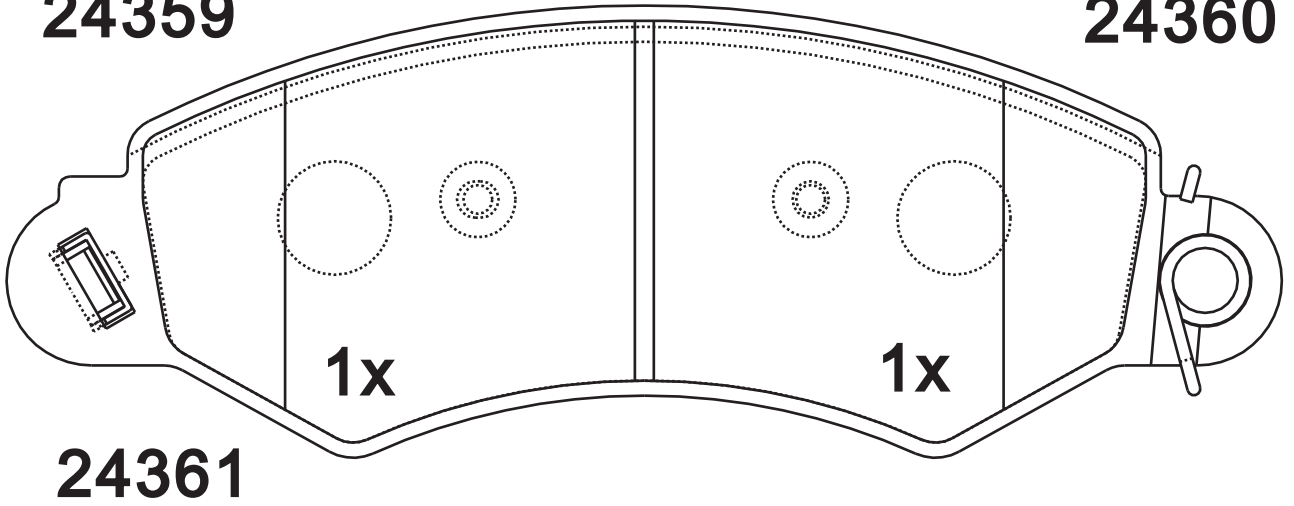
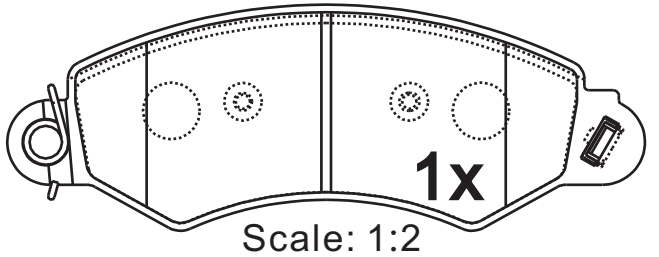
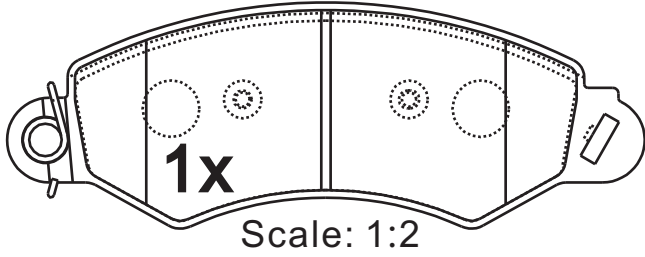
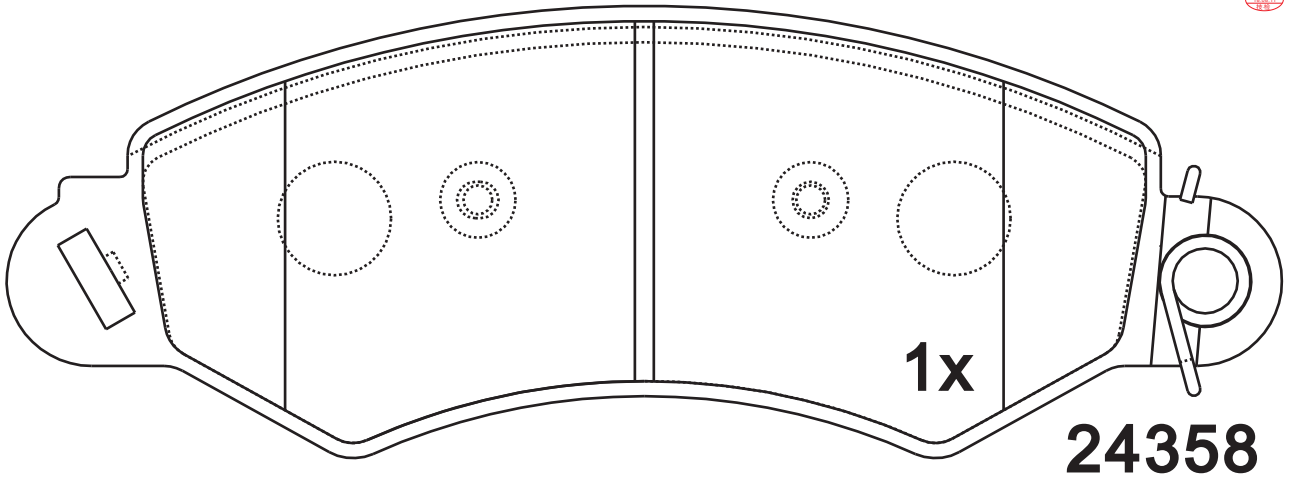
附件包
Accessory bag



SR0883.01

Dimension (mm)	Thickness (mm)	
168.6×59.8	18	

NOTE
1 identical;1 identical;
1 identical;1 identical;



Apply for:

LDV MAXUS Box 2.5 CDi 2005/02-

SR0884.01

**Dimension
(mm)**

155×49

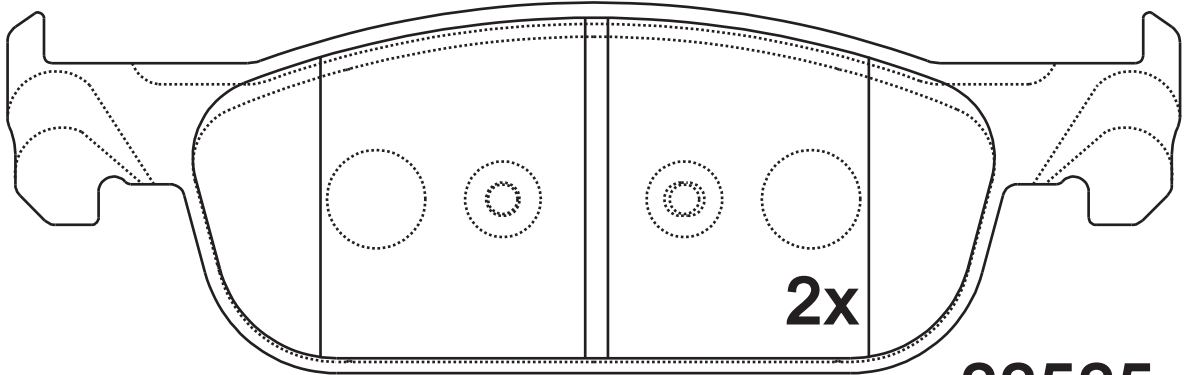
**Thickness
(mm)**

17

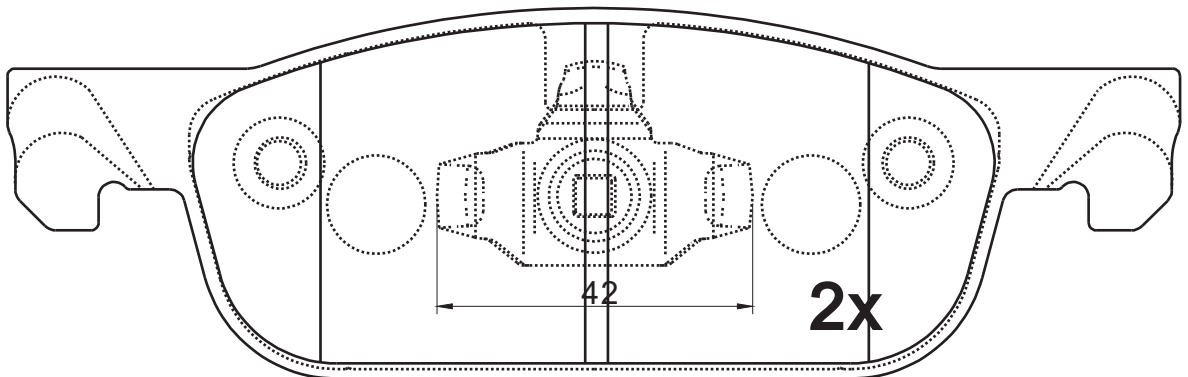


NOTE

**2 identical; 2 identical
with spring.**



22525



22526

Apply for:

Renault Clio 12-

SR0884.02

**Dimension
(mm)**

155×49

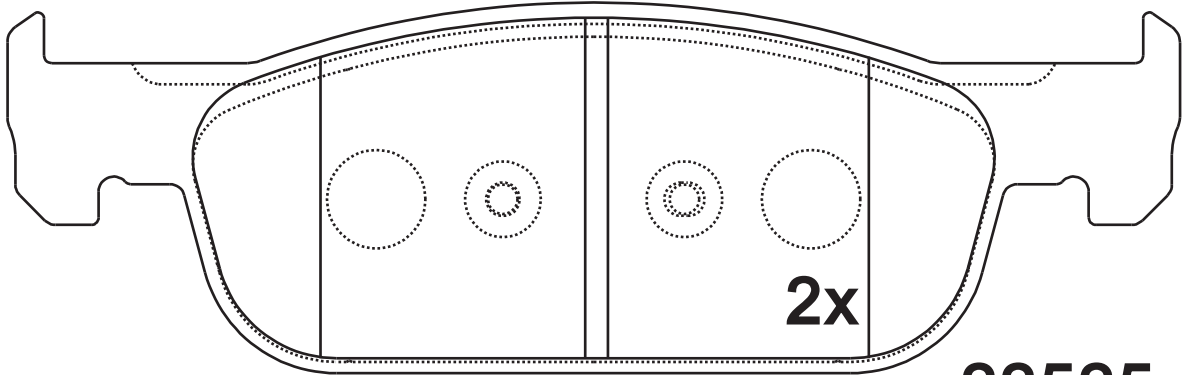
**Thickness
(mm)**

17

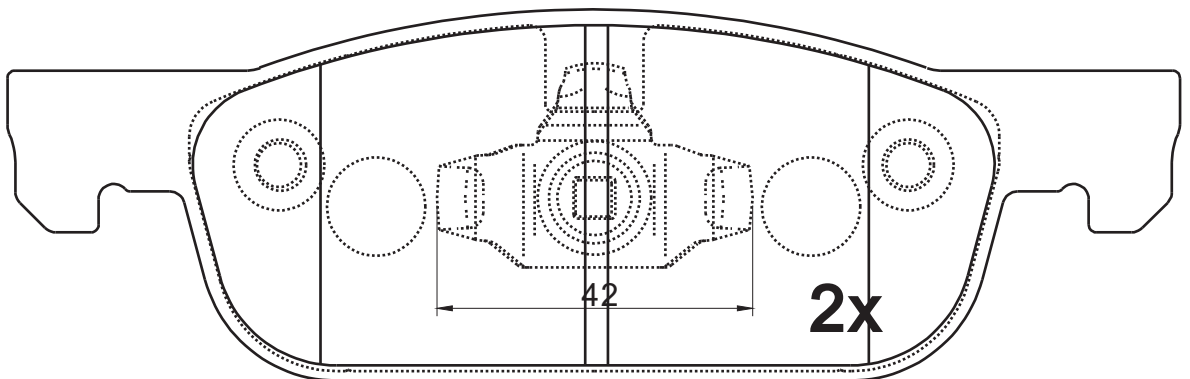


NOTE

**2 identical; 2 identical
with spring.**



22525



22526

Apply for:

Renault Clio 12-

SR0885.01

**Dimension
(mm)**

142.1×58.7

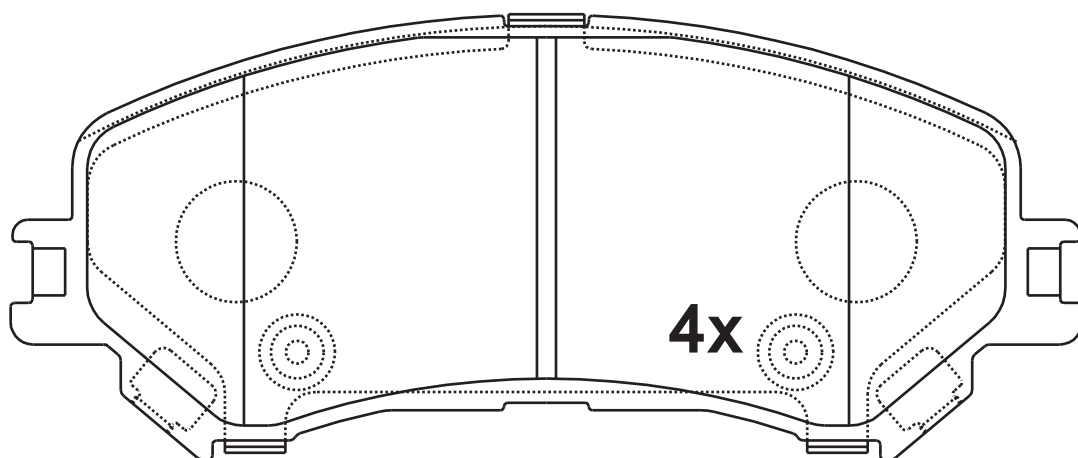
**Thickness
(mm)**

18.5



NOTE

4 identical;



22347

Apply for:

Renault Megane15-, Scenic 16-

SR0885

**Dimension
(mm)**

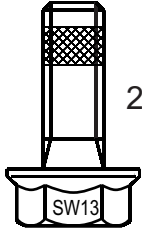
**Thickness
(mm)**



NOTE

附件包

Accessory kit



2x

M8X22

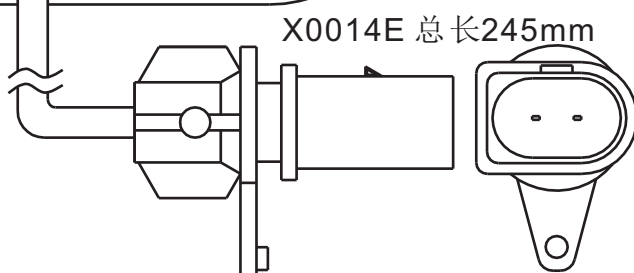
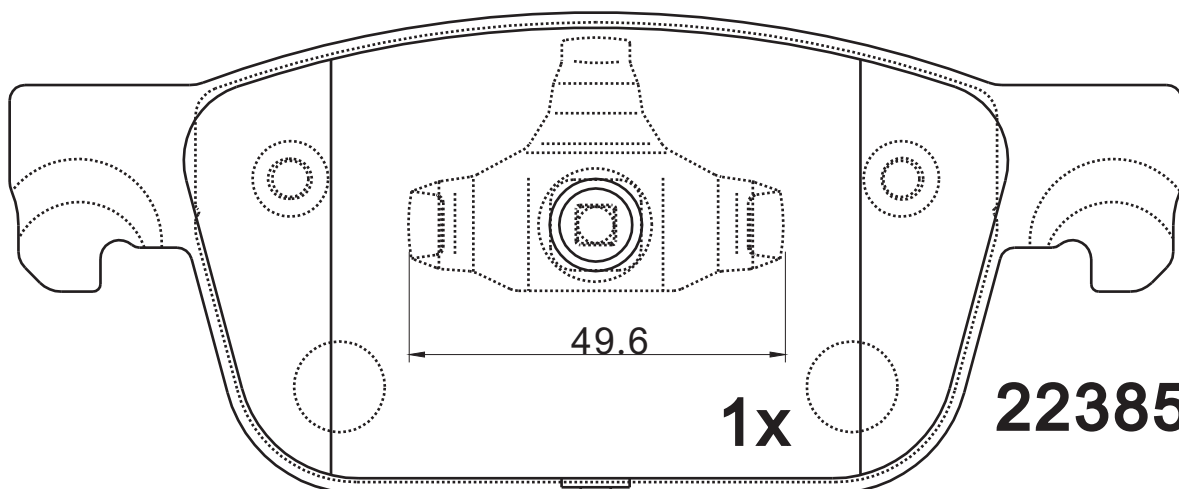
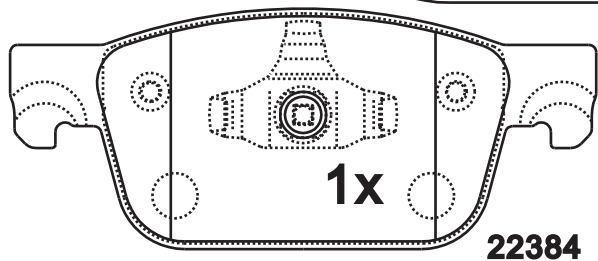
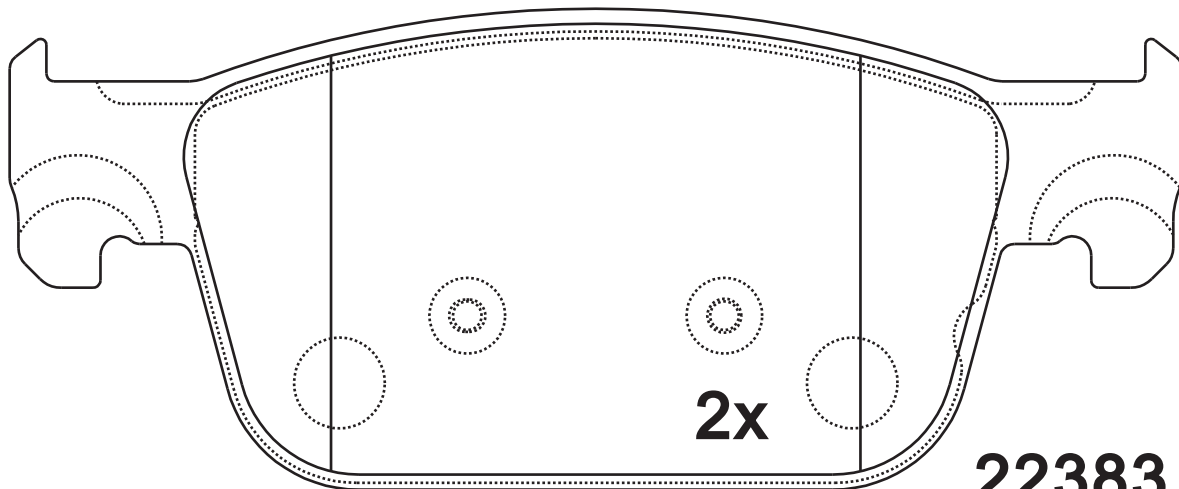
L0020

FJB0621.01

SR0886.01

Dimension (mm)	Thickness (mm)	
155×63.6	17	

NOTE
4 identical, 2 identical with spring.



Apply for:

- 奥迪 A4 (8W2, B9) 1.4 TFSI 2015-
- 奥迪 A4 (8W2, B9) 2.0 TFSI 2015-
- 奥迪 A4 (8W2, B9) 2.0 TDI 2015-

SR0887.01

**Dimension
(mm)**

106.5×45.6

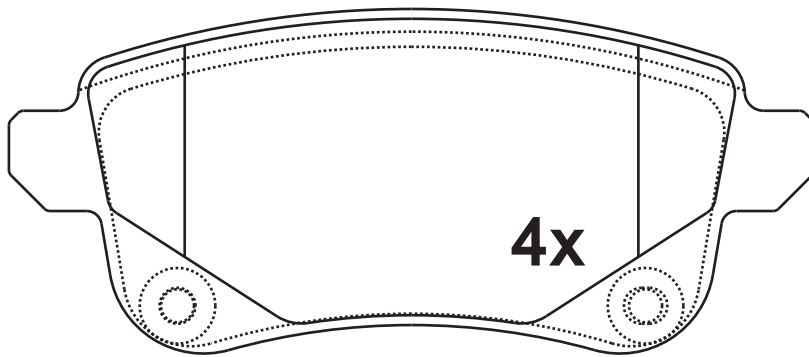
**Thickness
(mm)**

16



NOTE

4 identical;



GDB2082

Apply for:

Renault Grand Scenic 09-, Megane 12-

SR0887

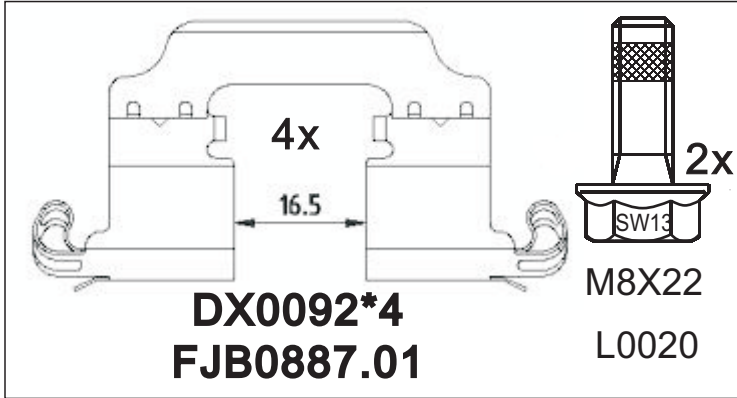
**Dimension
(mm)**

**Thickness
(mm)**



NOTE

附件包
Accessory bag



SR0888.01

**Dimension
(mm)**

**Thickness
(mm)**

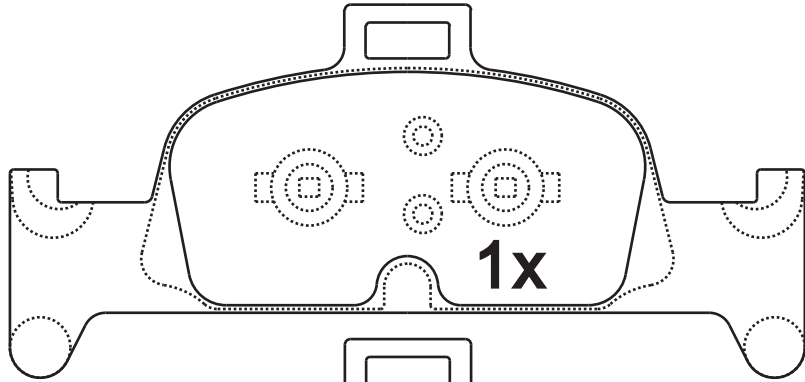


NOTE

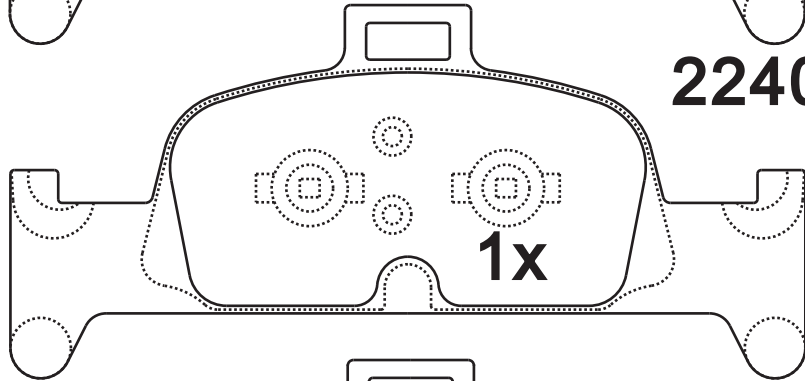
2 identical;2 identical;

251.8/210.2×98.7/99

16.3

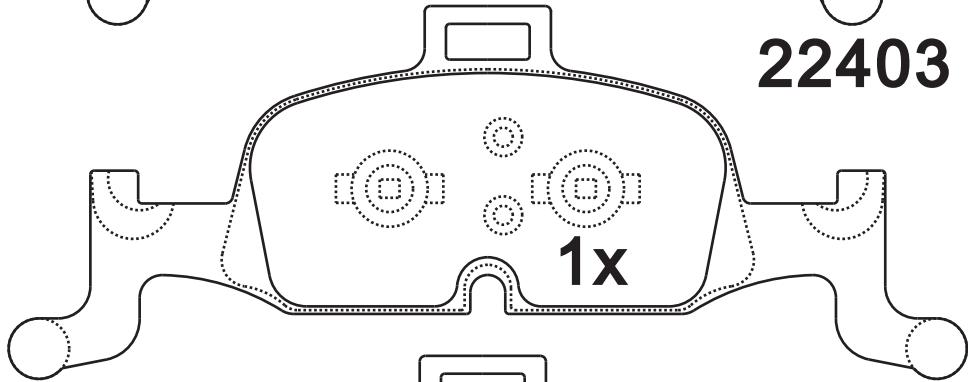


22402

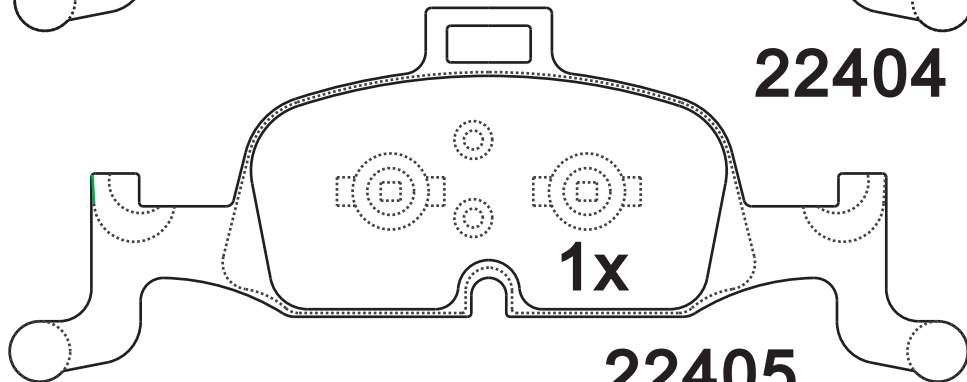


1:2

22403



22404



22405

GDB2126

Apply for:

Audi A4 15-,A5 16-

SR0888

**Dimension
(mm)**

**Thickness
(mm)**



NOTE

附件包
Accessory bag

1x

8W0615121H

X0324B 总长285mm

FJB1X0324B



SR0889.01

**Dimension
(mm)**

129×58.9

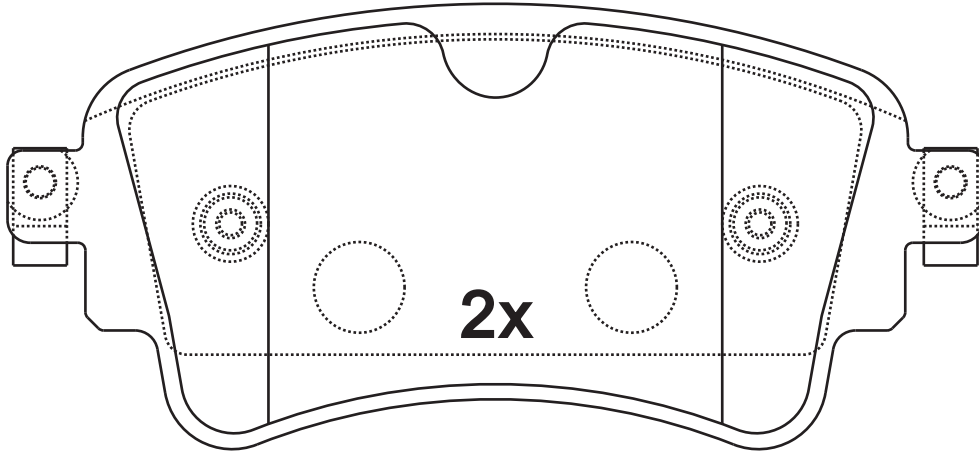
**Thickness
(mm)**

17.5

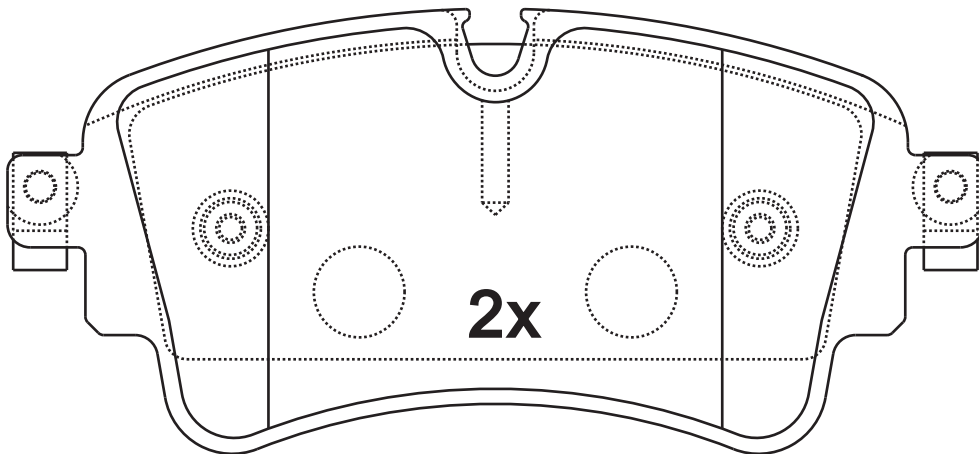


NOTE

2 identical;2 identical;



22308



**GDB2132
22309**

Apply for:

Audi A4 15-,A5 16-

SR0889

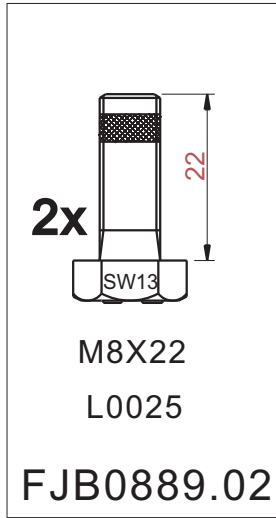
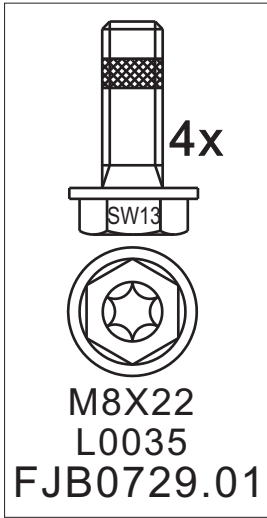
**Dimension
(mm)**

**Thickness
(mm)**



NOTE

**附件包
Accessory bag**



SR0890.01

**Dimension
(mm)**

154.8×62.2

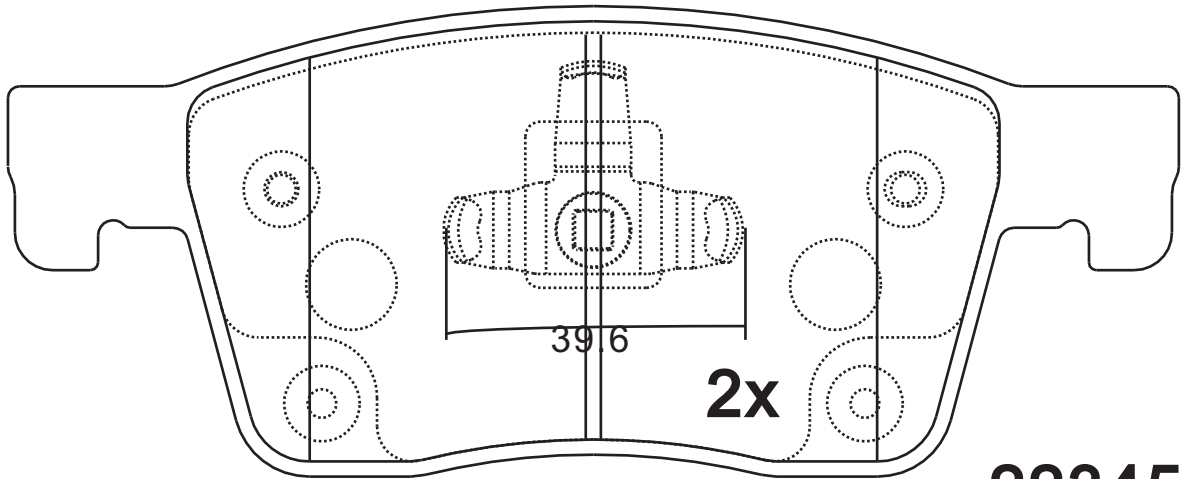
**Thickness
(mm)**

19.9/19.5

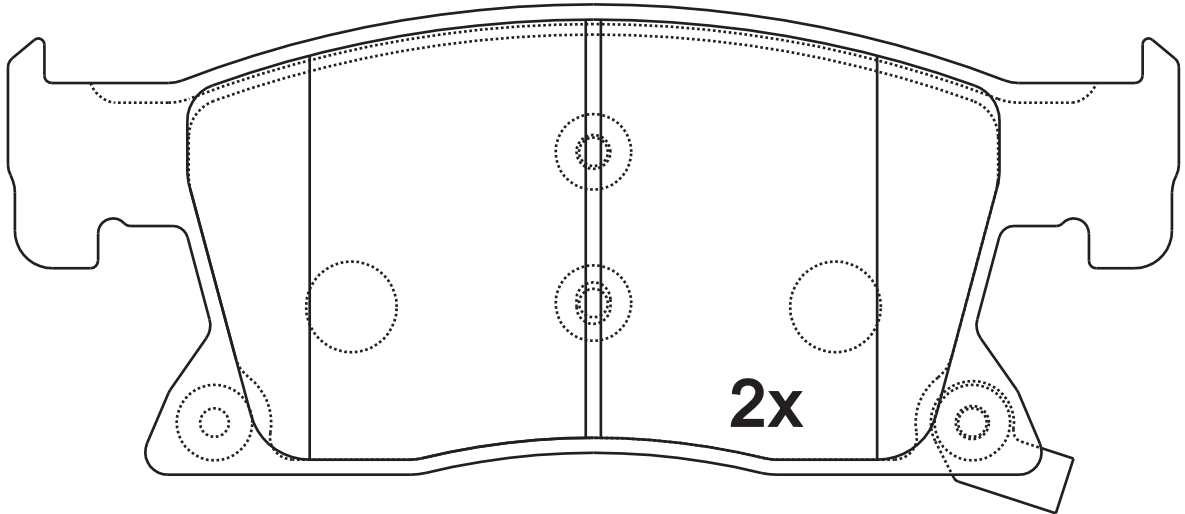


NOTE

2 identical;2 identical;



22345




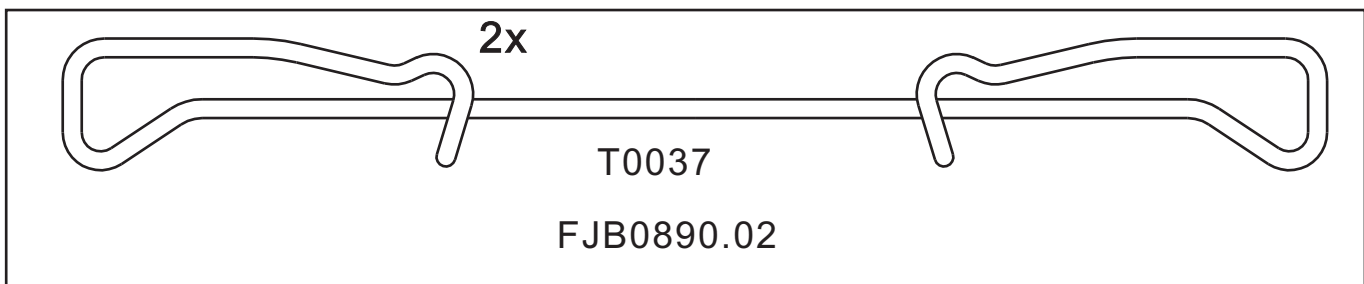
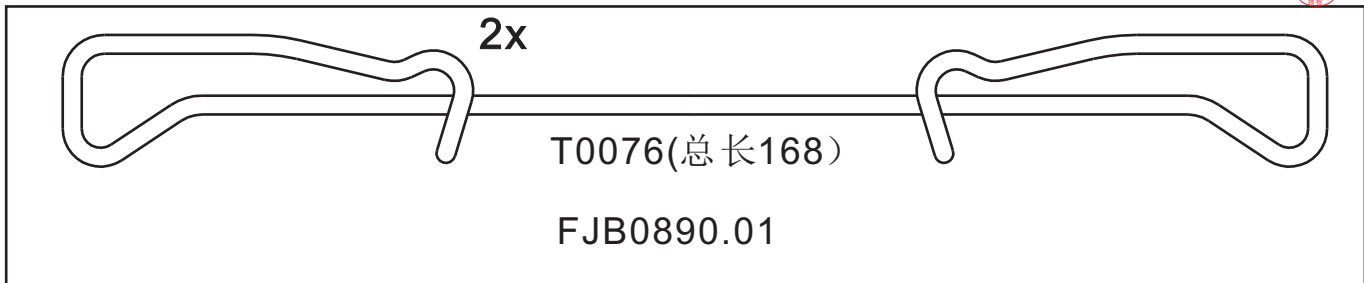
22346

Apply for:

Opel astra K 16-

版次: A/3

SR0890	Dimension (mm)	Thickness (mm)		NOTE
				附件包 Accessory bag



SR0891.01

**Dimension
(mm)**

155.3×56.3
155.3×59

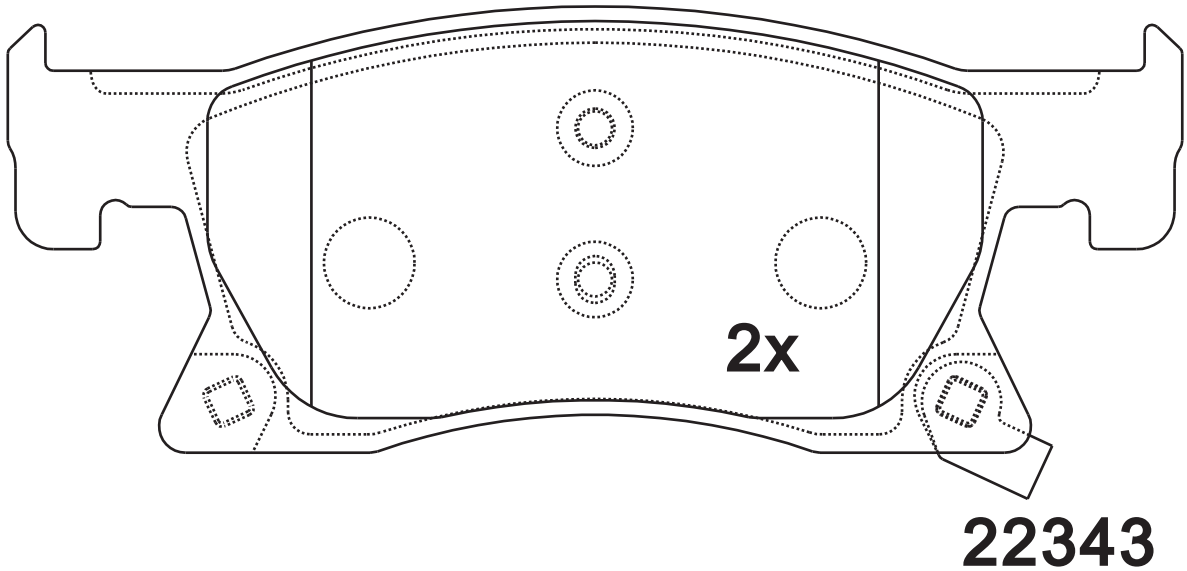
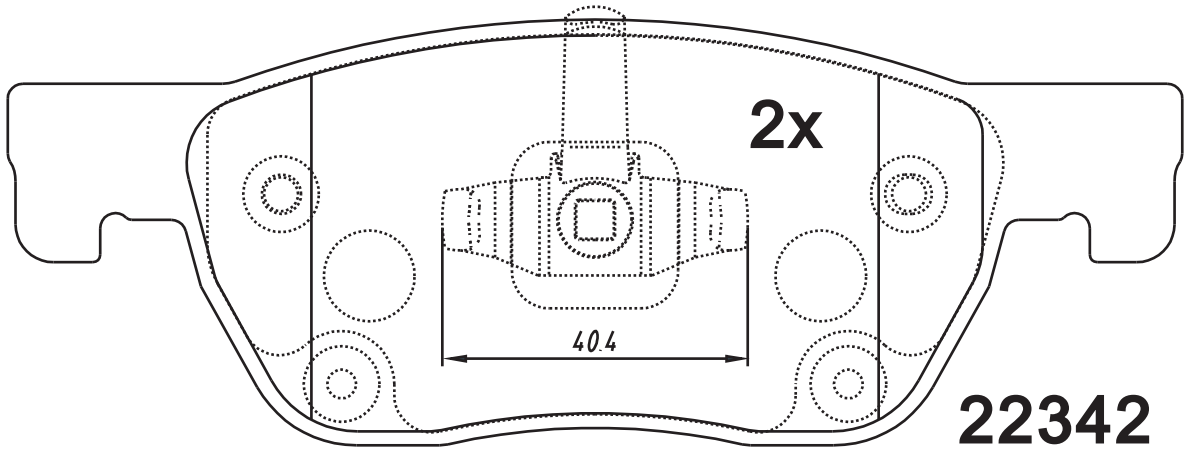
**Thickness
(mm)**

19.5



NOTE

2 identical;2 identical;



Apply for:

Opel astra K 15-

版次: A/3

SR0891

**Dimension
(mm)**

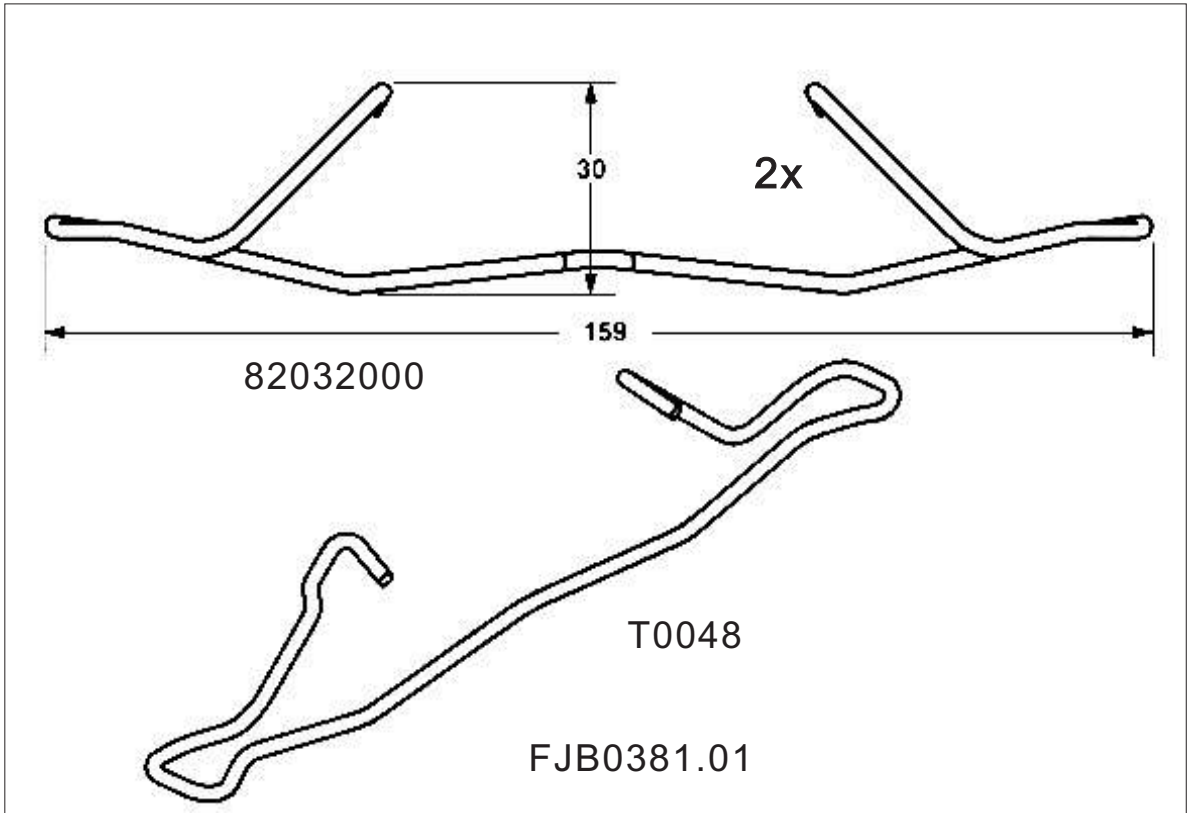
**Thickness
(mm)**



NOTE

附件包

Accessory bag



SR0892.01

**Dimension
(mm)**

121.1×42.8

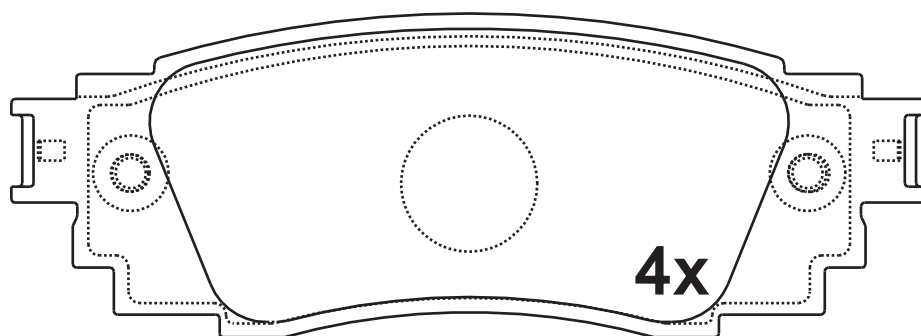
**Thickness
(mm)**

14.6



NOTE

4 identical;



22434

Apply for:

Toyota C-HR new

SR0893.01

**Dimension
(mm)**

122.6×48.3/53.2

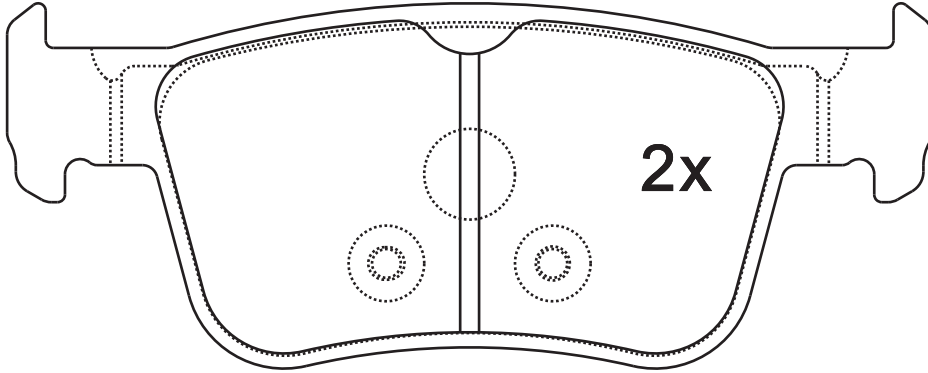
**Thickness
(mm)**

15.1

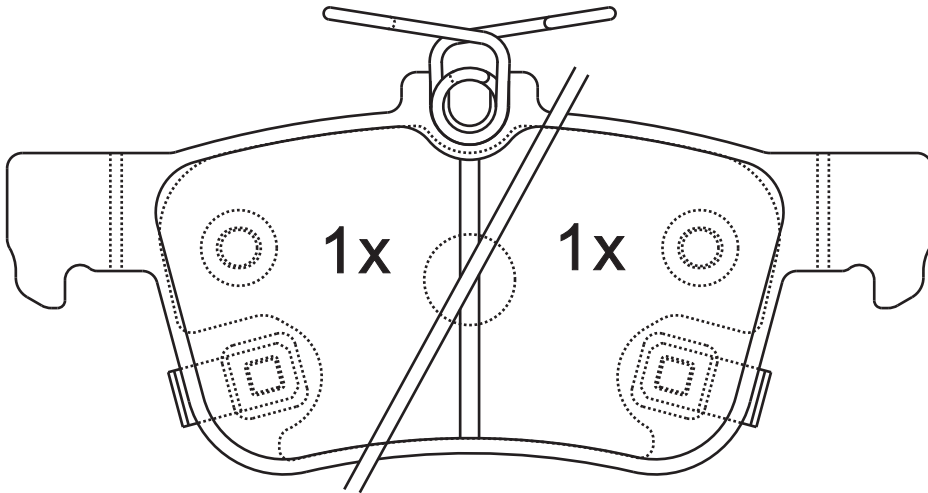


NOTE

2 identical;2 identical;



22429



22431

22430

Apply for:

Handa CiViC X

SR0894.01

**Dimension
(mm)**

141.4×59.3

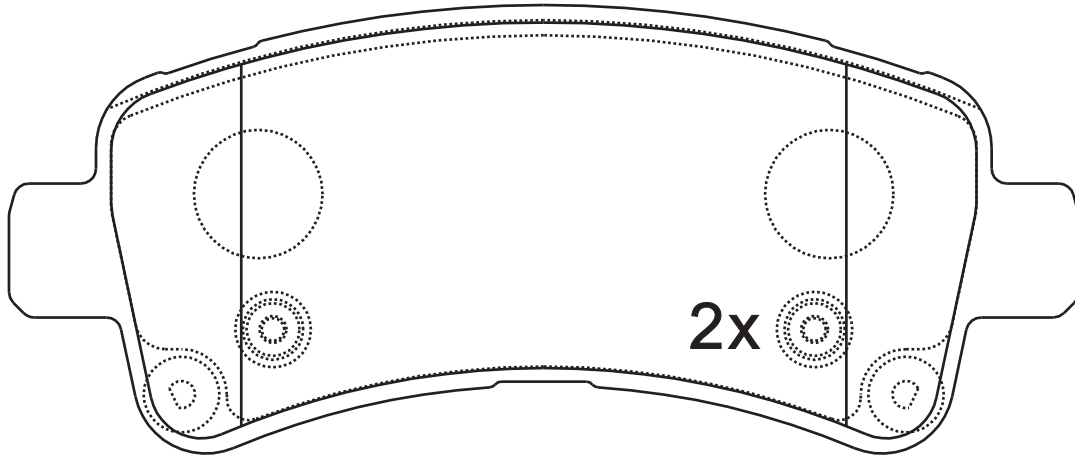
**Thickness
(mm)**

21

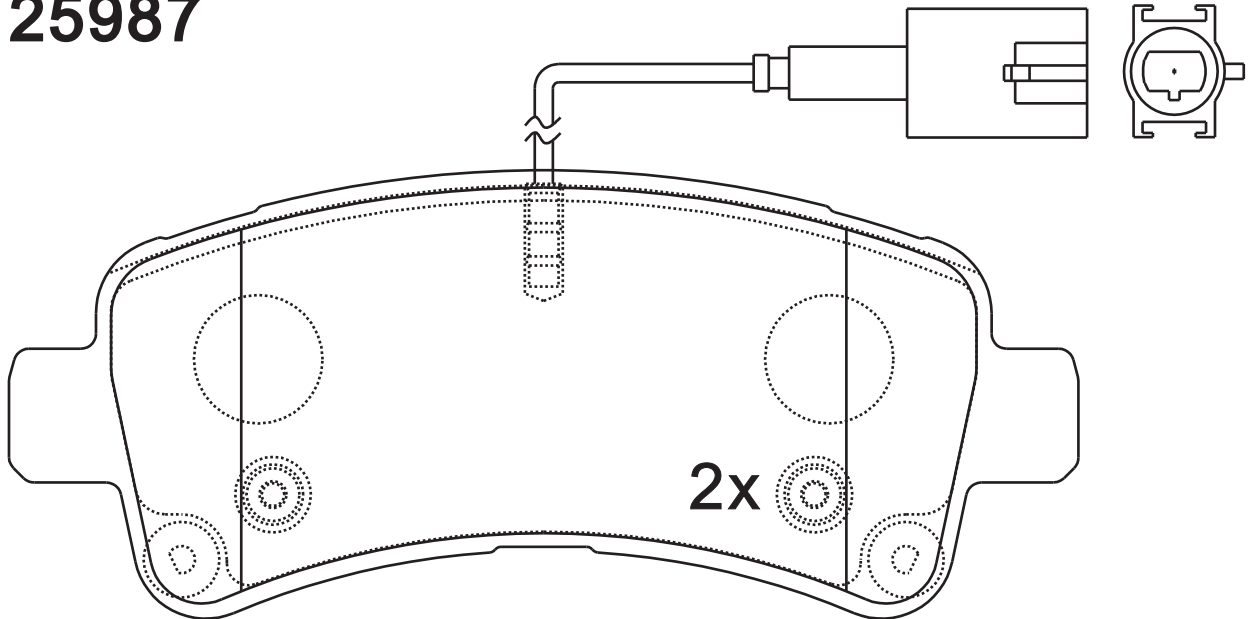


NOTE

**4 identical, 2 identical
with spring.**



25987



25988

Apply for:

Fiat Ducato 04.14

版次: A/3

SR0894

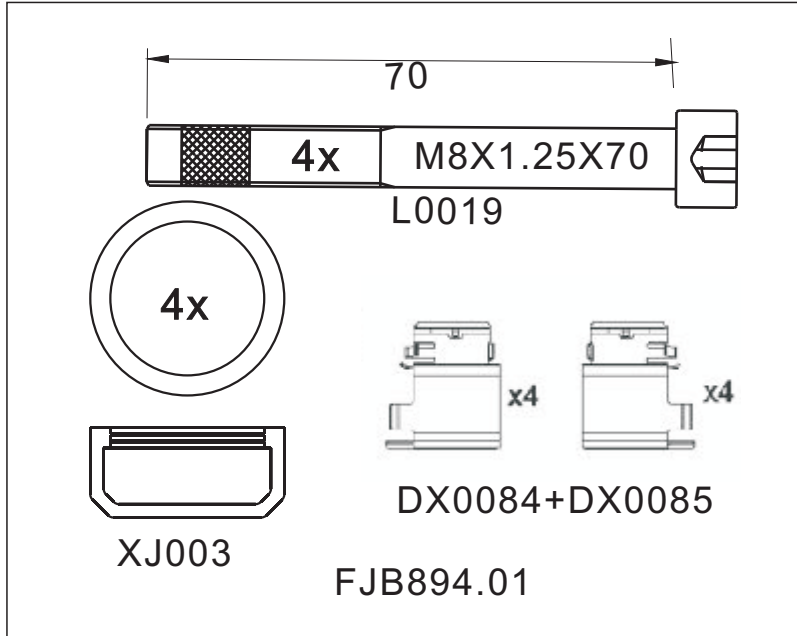
**Dimension
(mm)**

**Thickness
(mm)**



NOTE

附件包
Accessory bag



SR0895.01

**Dimension
(mm)**

**Thickness
(mm)**

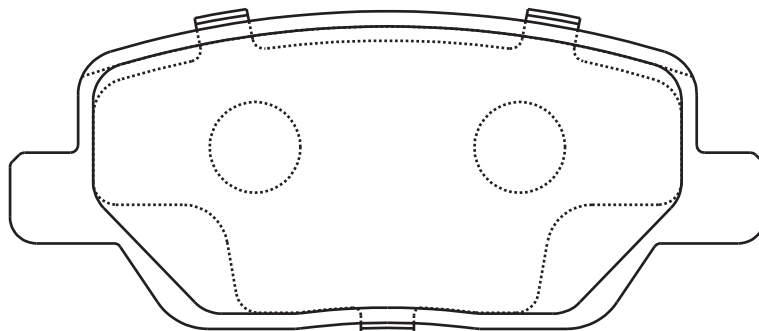


NOTE

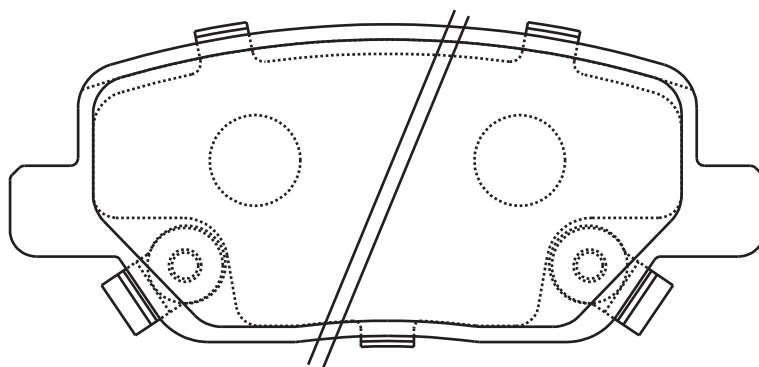
2 identical; 2 identical, 1 with acoustic indicator (left), 1 with acoustic indicator (right).

99.8×42

17.3



22449



22450

22451

Apply for:

Fiat egca

版次: A/3

SR0895

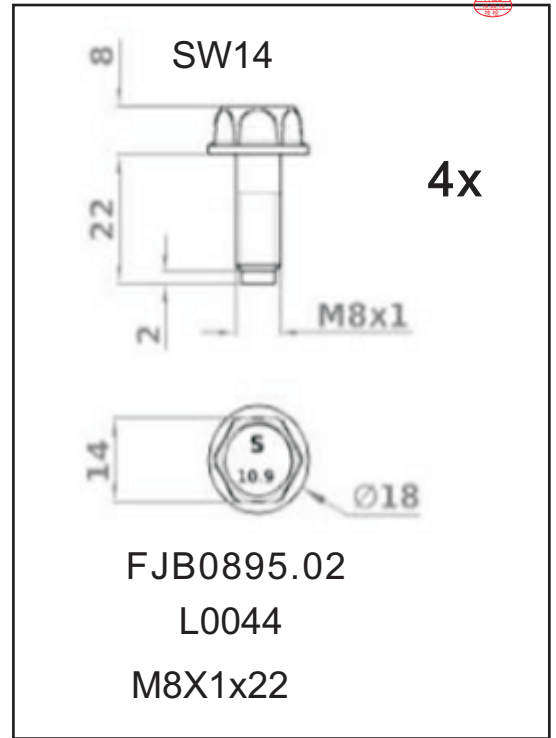
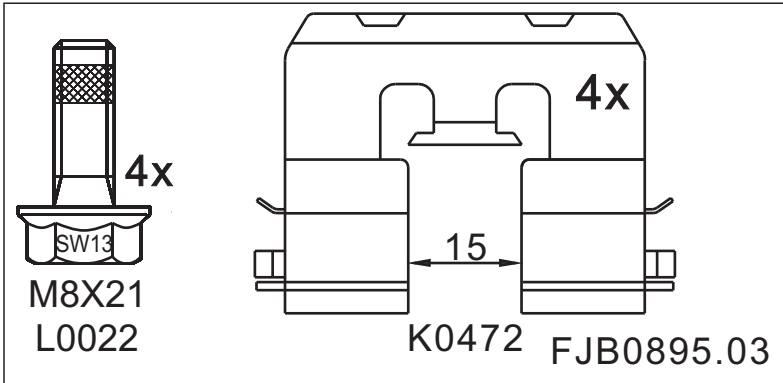
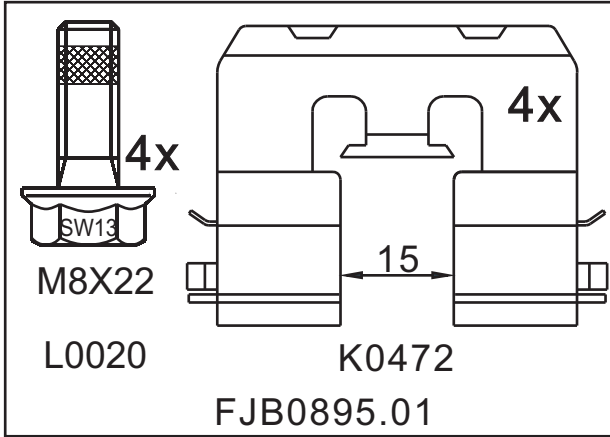
**Dimension
(mm)**

**Thickness
(mm)**



NOTE

附件包
Accessory bag



SR0896.01

**Dimension
(mm)**

118.5×46.4

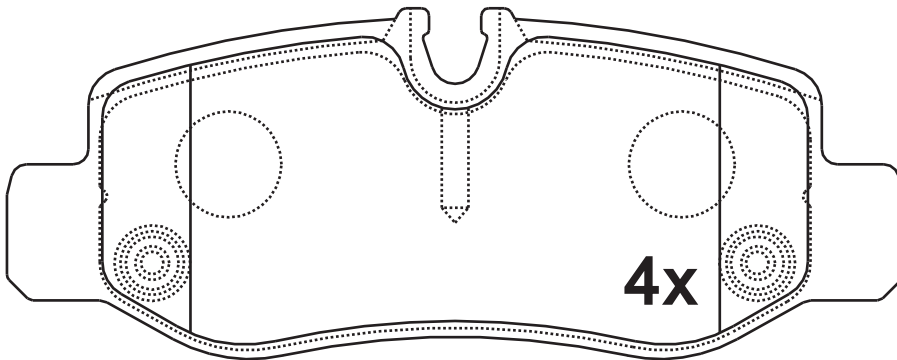
**Thickness
(mm)**

18.2



NOTE

4 identical;




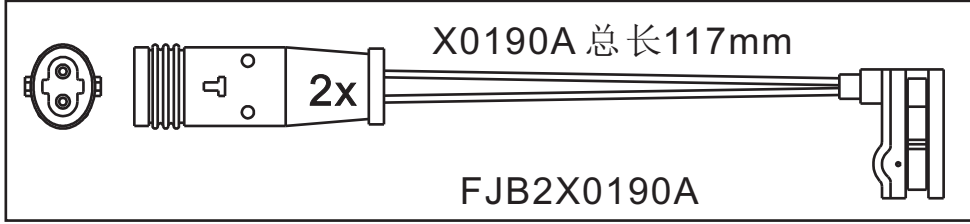
22101

Apply for:



Mercedes V-CLASS(W447)03.14-

版次: A/3

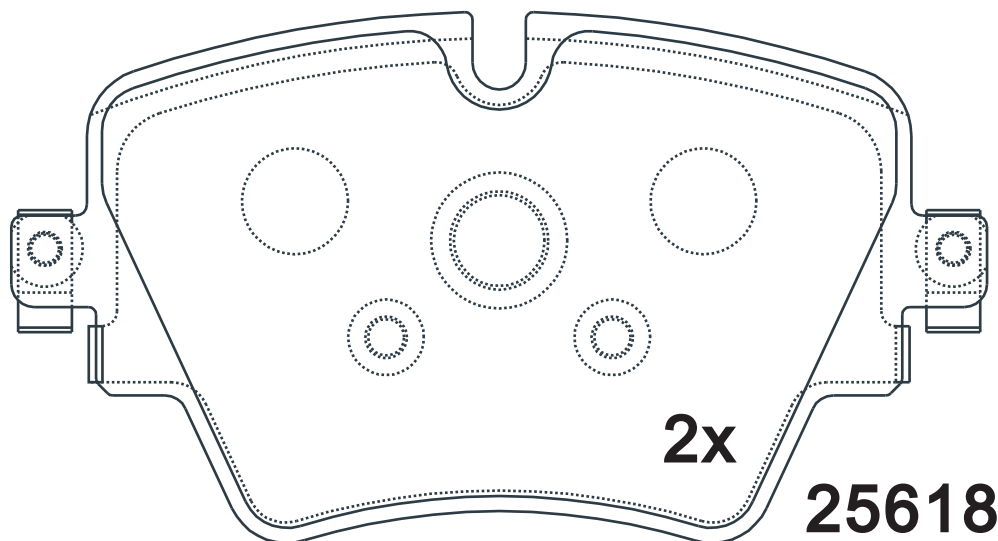
SR0896	Dimension (mm)	Thickness (mm)		NOTE



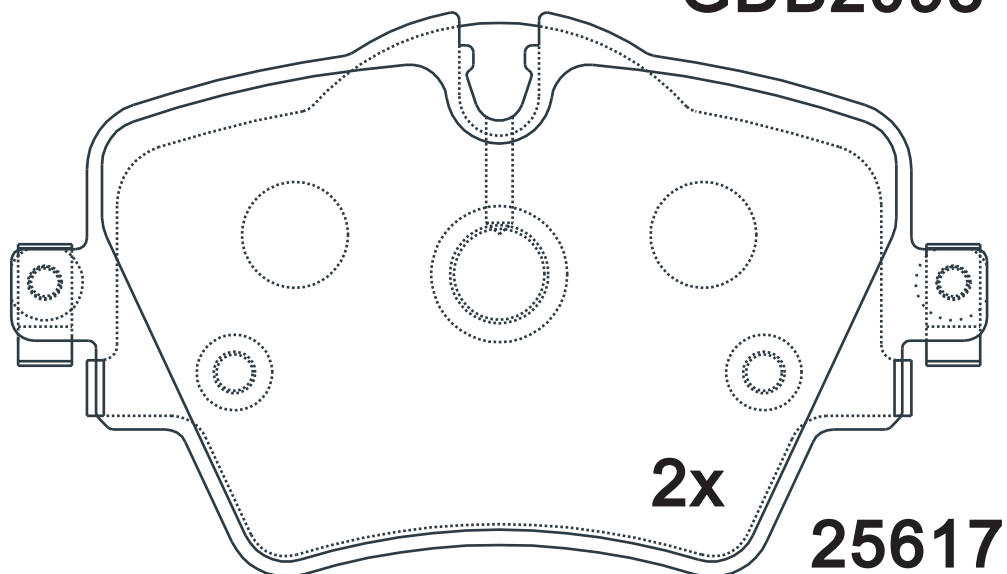
SR0897.01

Dimension (mm)	Thickness (mm)	
129×70.2 129×74.6	18.3	

NOTE
2 identical;2 identical;



GDB2098



Apply for:

BMW X1 xDrive28i
MINI Cooper Clubman 2.0 Liter

2016-
2016-

SR0897

**Dimension
(mm)**

**Thickness
(mm)**



NOTE

附件包

Accessory bag

98052000

1x

X0122A 总长475mm
总长250mm

FJB1X0122A



4x

SW13

M8×21

L0010

FJB0025.01

2x

X0122A 总长475mm
总长250mm

FJB2X0122A

SR0898.01

**Dimension
(mm)**

183.7×74.1

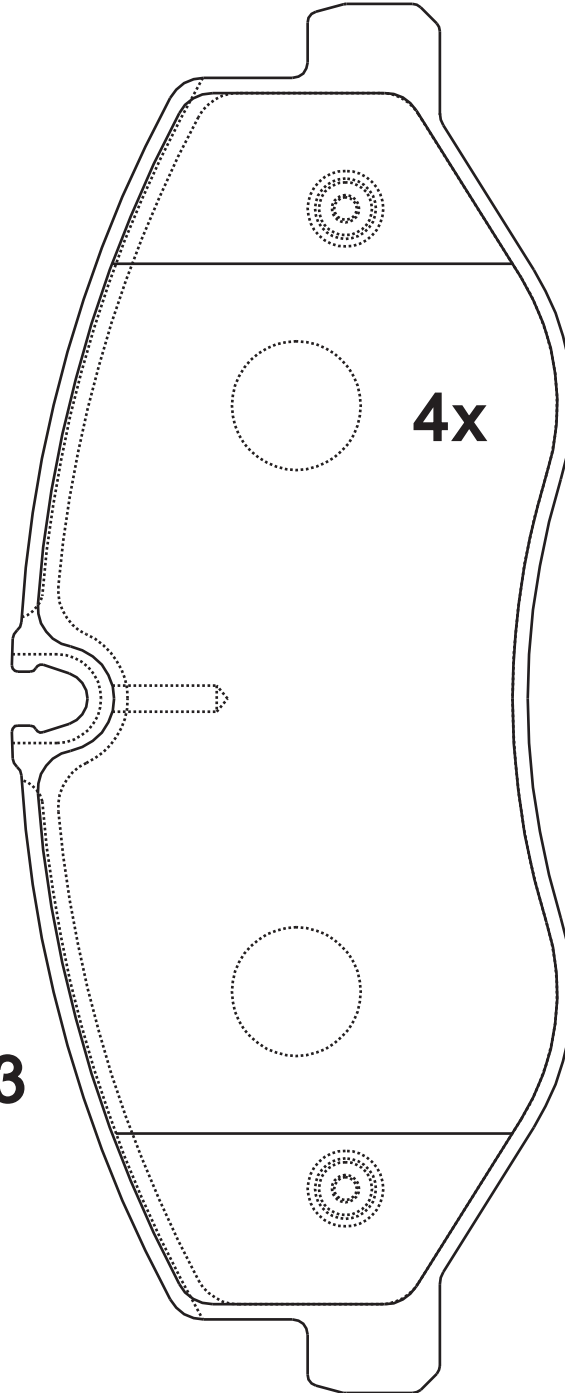
**Thickness
(mm)**

20.3



NOTE

4 identical;




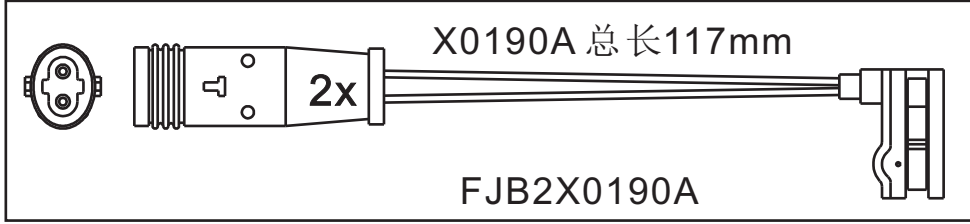
**GDB2103
22062**

Apply for:

Mercedes V-Class 14-

版次: A/3

SR0898	Dimension (mm)	Thickness (mm)		NOTE



SR0899.01

**Dimension
(mm)**

136.7×58.2
136.7×60.8

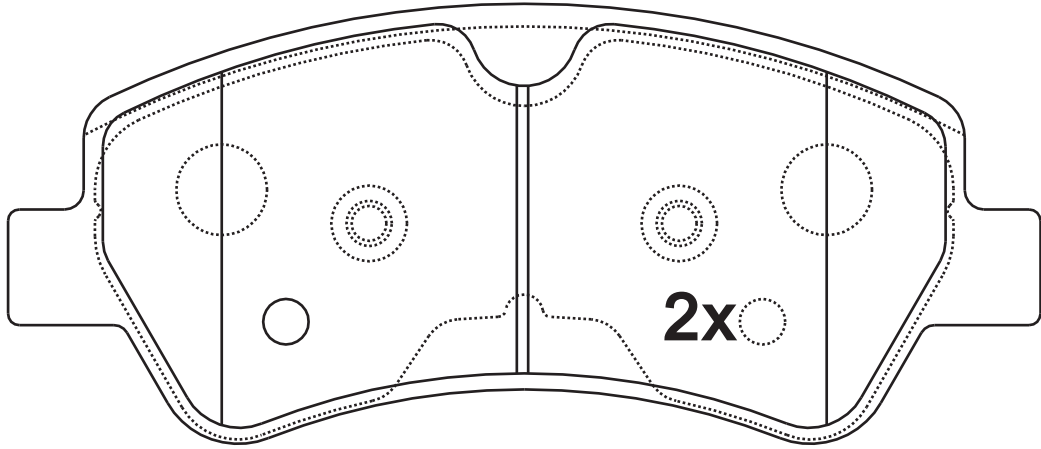
**Thickness
(mm)**

17.4

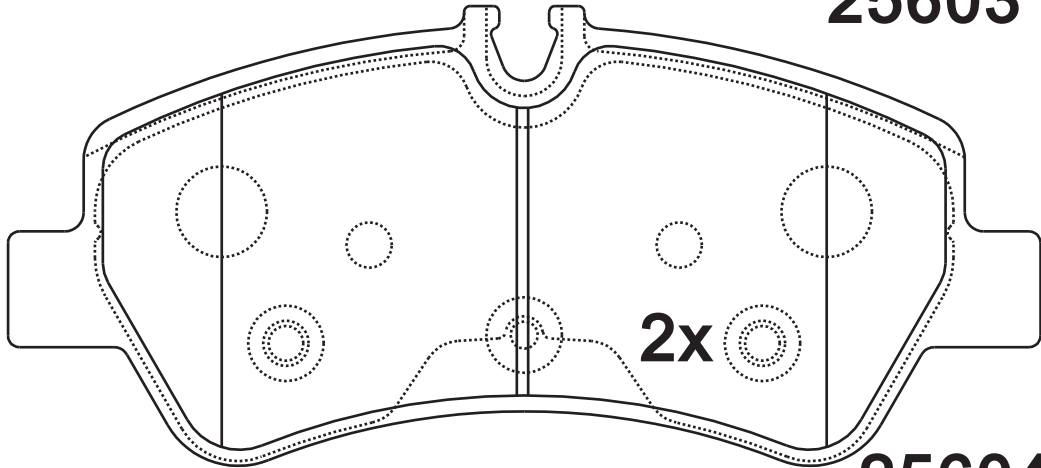


NOTE

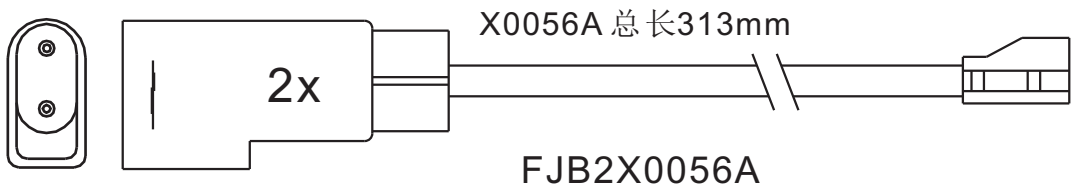
2 identical;2 identical;



25603



25604



Apply for:

- | | |
|-------------------------------|----------|
| FORD TOURNEO CUSTOM Bus | 2012/04- |
| FORD TRANSIT Box | 2013/08- |
| FORD TRANSIT Bus | 2013/08- |
| FORD TRANSIT CUSTOM Box | 2012/04- |
| FORD TRANSIT CUSTOM Bus | 2012/04- |
| FORD TRANSIT Platform/Chassis | 2013/08- |

SR0899

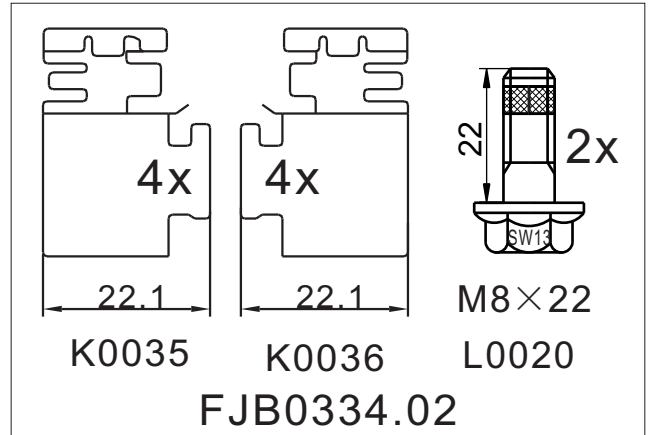
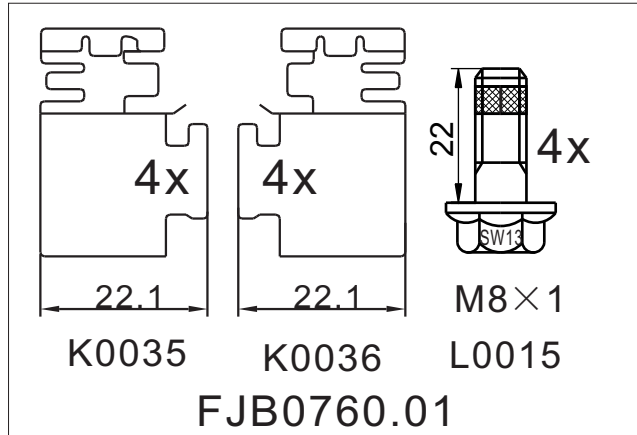
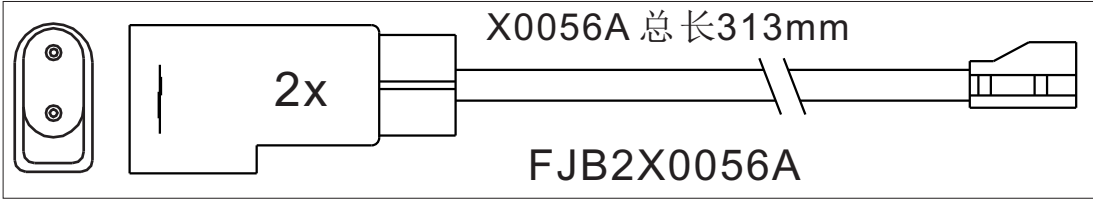
**Dimension
(mm)**

**Thickness
(mm)**



NOTE

**附件包
Accessory bag**



SR0900.01

**Dimension
(mm)**

128.9×58.4

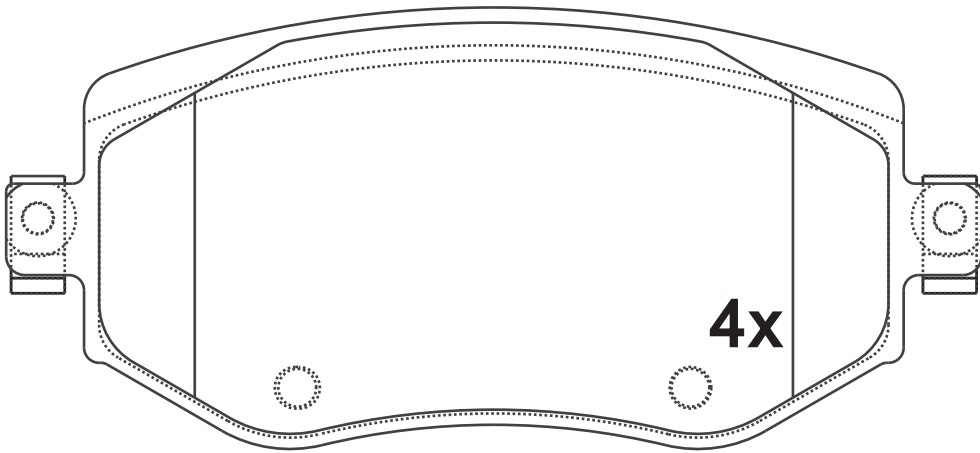
**Thickness
(mm)**

18.3



NOTE

4 identical;



22610

Apply for:

Renault megane IV-

SR0900

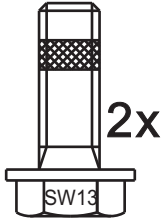
**Dimension
(mm)**

**Thickness
(mm)**

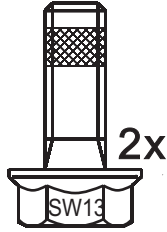


NOTE

**附件包
Accessory bag**



M8X22
L0035
FJB0900.01



M8X22

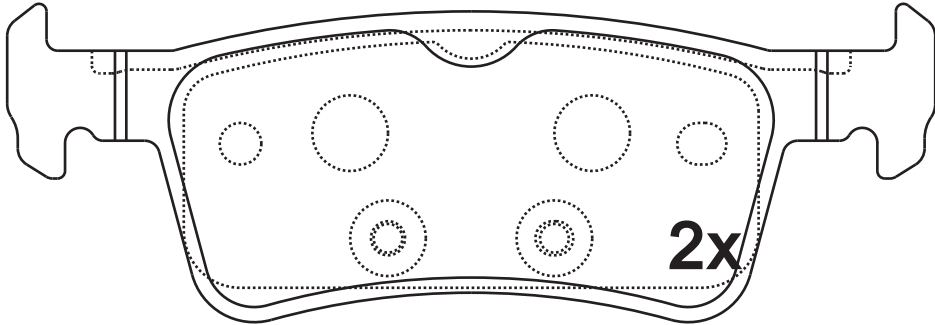
L0020

FJB0621.01

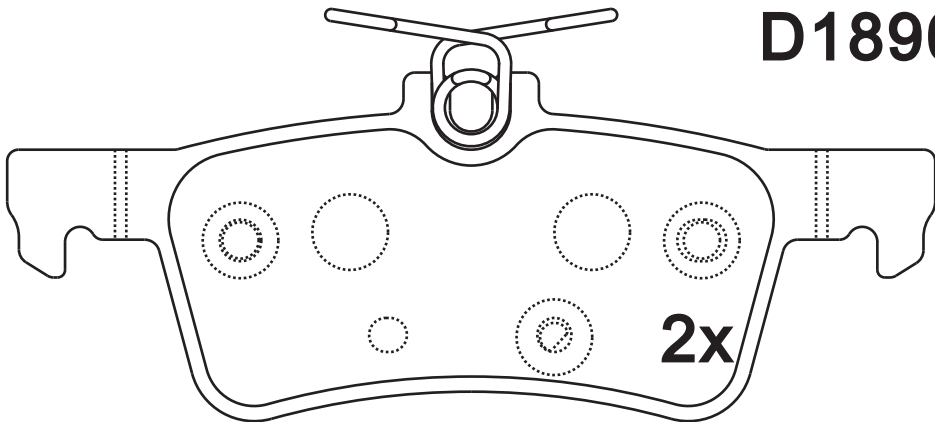
SR0901.01

Dimension (mm)	Thickness (mm)	
122.7×42.1 122.7×46.1	15.2	

NOTE
2 identical;2 identical;





GDB2194
D1890

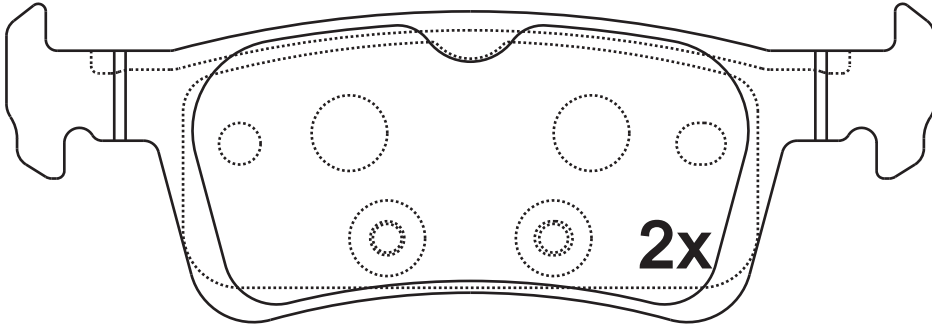


Apply for:

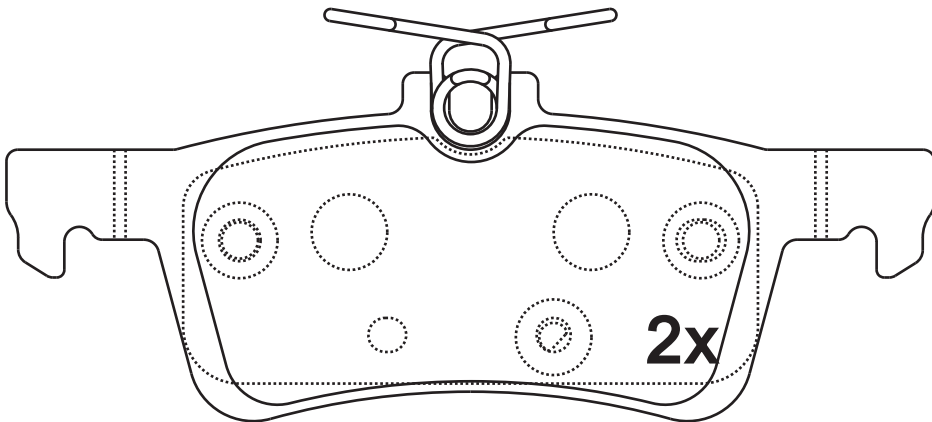
DENGFENG PSA 408 (China) 2014-
东风标致408 2014-

SR0901.02

Dimension (mm)	Thickness (mm)		NOTE
122.7×42.1 122.7×46.1	16		2 identical;2 identical;



25841



25842

Apply for:

PEUGEOT 308 Hatchback Van

2017-2021

PEUGEOT 308 SW II

2014-2021

PEUGEOT (DF-PSA) 408 1.8

2014-

SR0902.01

Dimension
(mm)

Thickness
(mm)

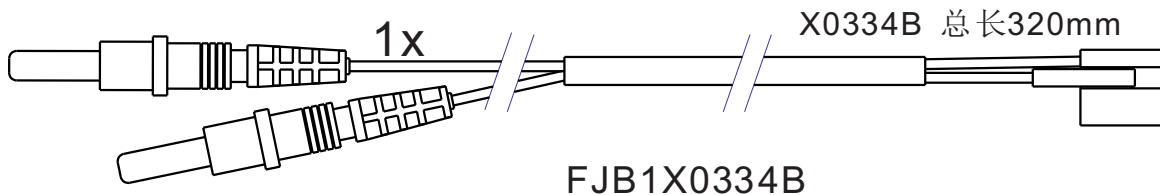
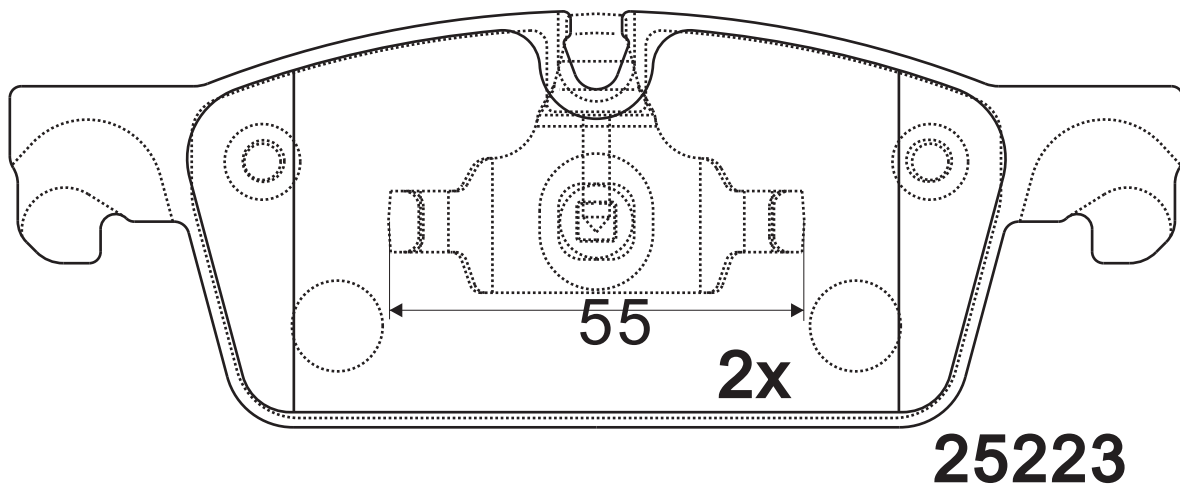
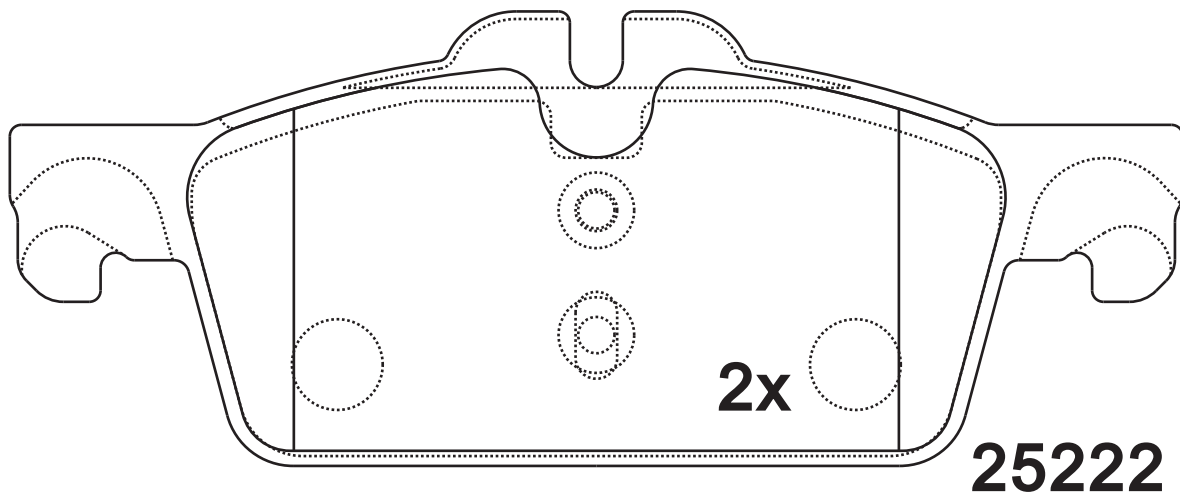


NOTE

2 identical; 2 identical;

155.1×60.1
155.1×55

16.8



Apply for:

PEUGEOT 508
PEUGEOT 508 SW

2010/11-
2010/11-

版次: A/3

SR0902.02

Dimension
(mm)

Thickness
(mm)

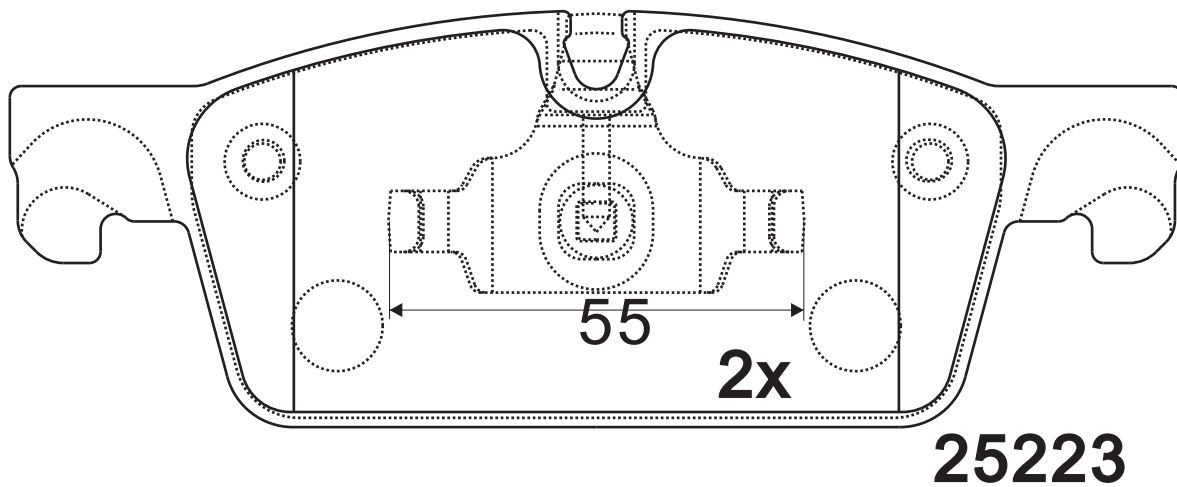
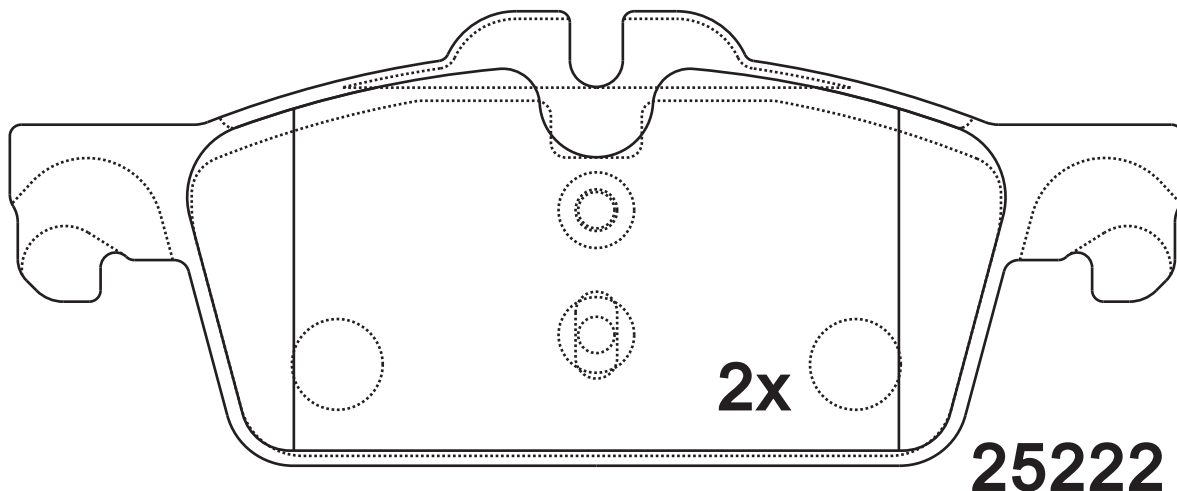


NOTE

2 identical; 2 identical;

155.1×60.1
155.1×55

16.8



Apply for:

PEUGEOT 508
PEUGEOT 508 SW

2010/11-
2010/11-

版次: A/3

SR0902

**Dimension
(mm)**

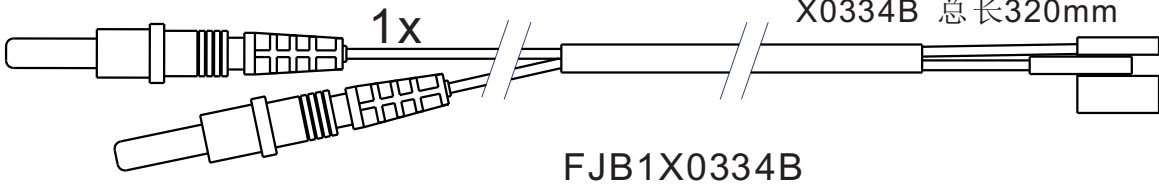
**Thickness
(mm)**



NOTE

附件包

Accessory kit



SR0903.01

Dimension
(mm)

Thickness
(mm)

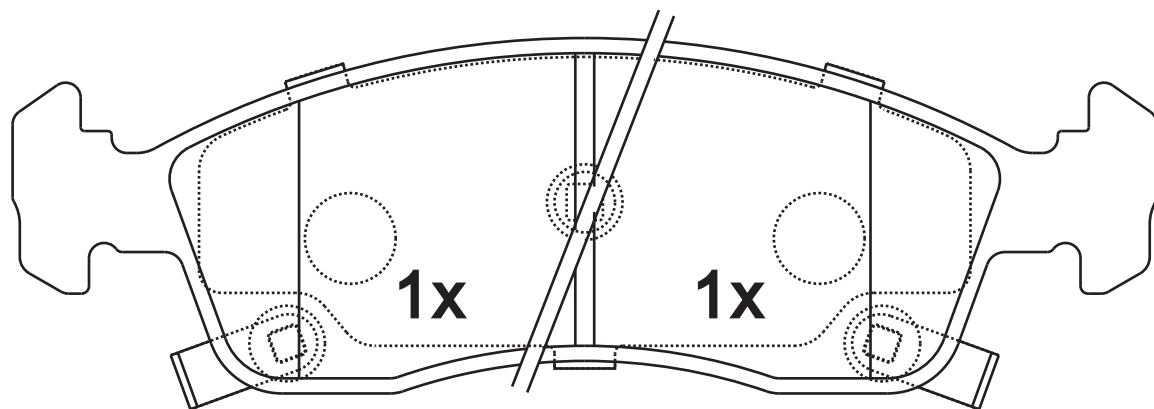
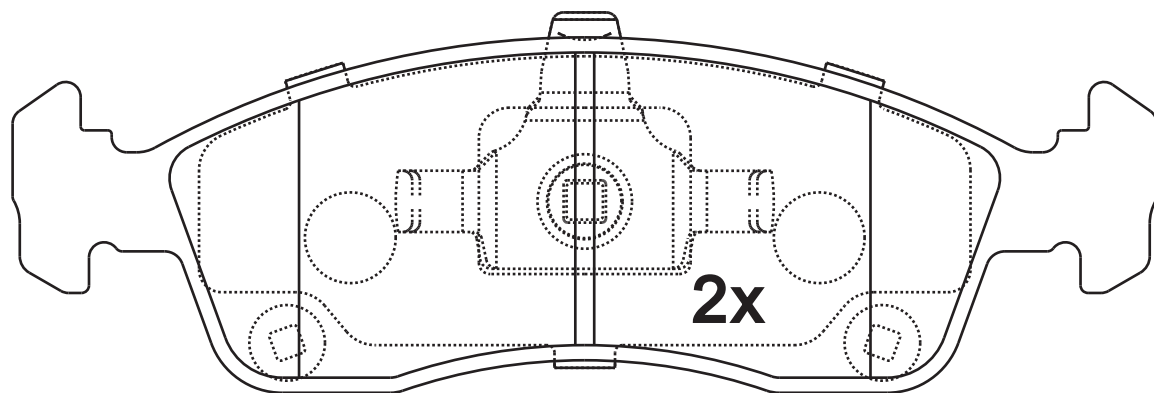


NOTE

4 identical, 1 with acoustic indicator (left), 1 with acoustic indicator (right).

151.4×47.2

17.5



RCPT13680

Apply for:

雪佛兰

SR0903.02

Dimension
(mm)

Thickness
(mm)

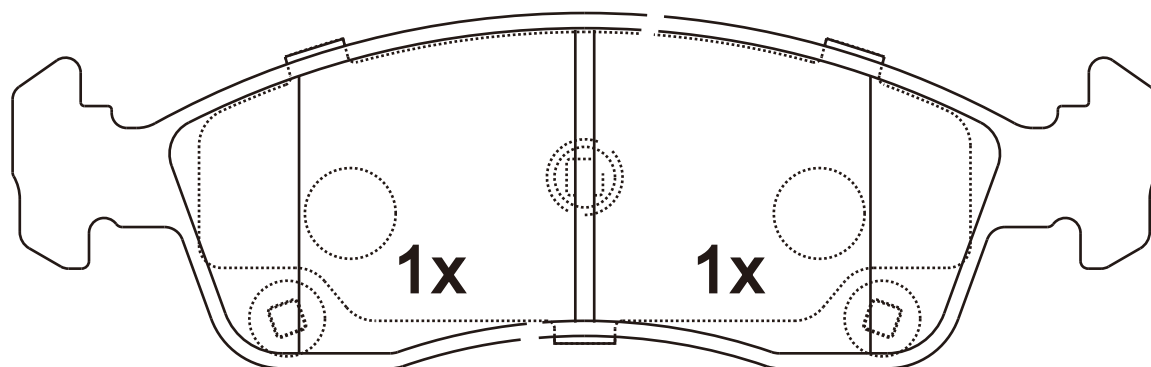
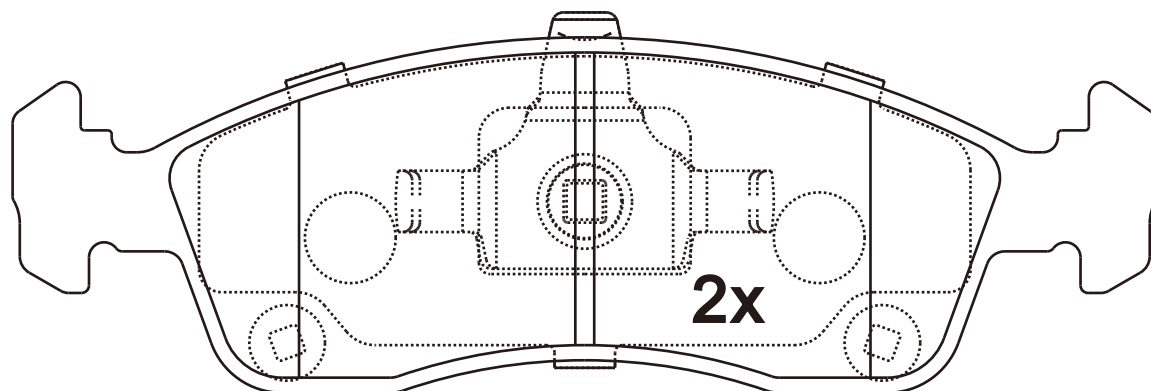


NOTE

4 identical, 1 with acoustic indicator (left), 1 with acoustic indicator (right).

151.4×47.2

17.5



RCPT12550

Apply for:

Chevrolet PRISMA/ONIX 17-

SR0904.01

Dimension
(mm)

Thickness
(mm)

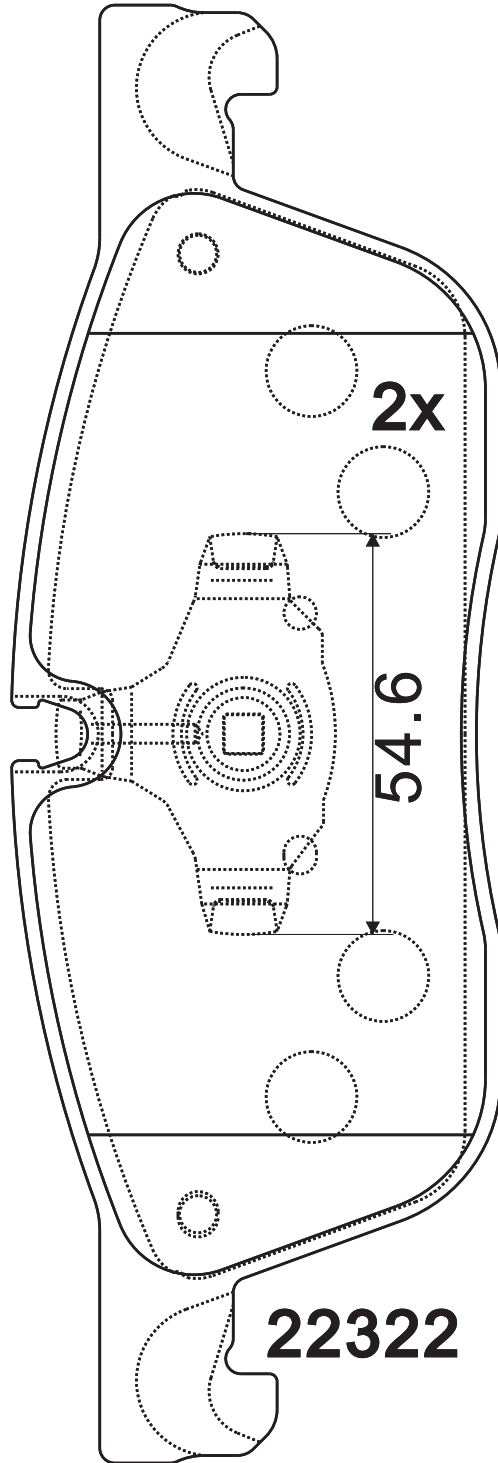
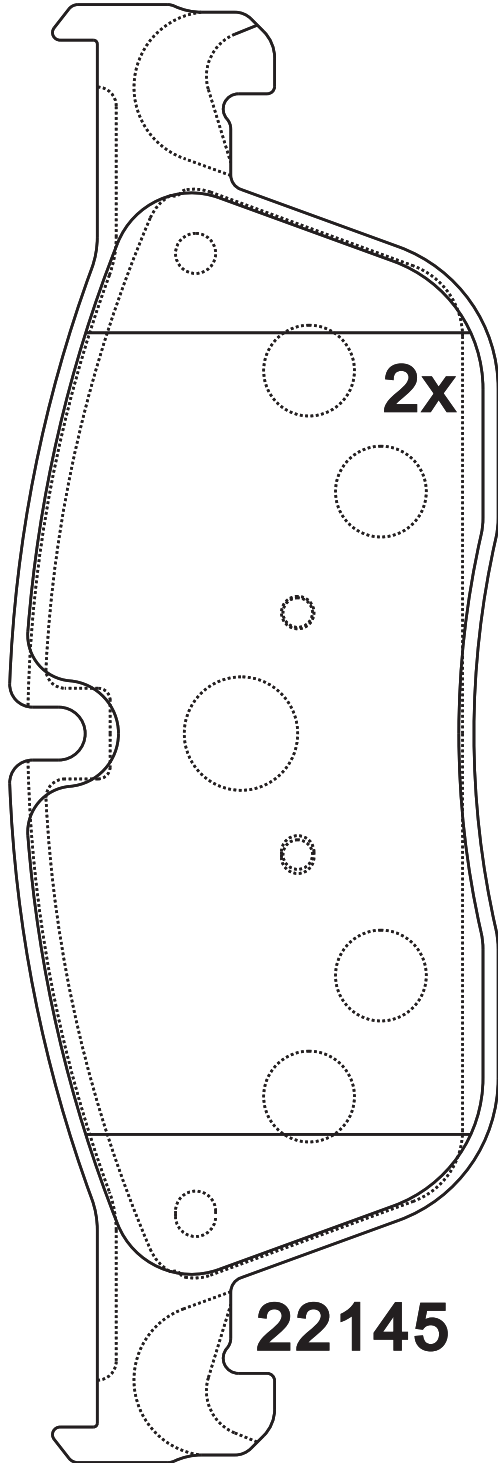


NOTE

2 identical; 2 identical;

193.3×65.3

17.7/18.7



Apply for:

JAGUAR F-PACE

2017-

LAND ROVER RANGE ROVER VELAR

2017-

SR0904.02

Dimension
(mm)

Thickness
(mm)

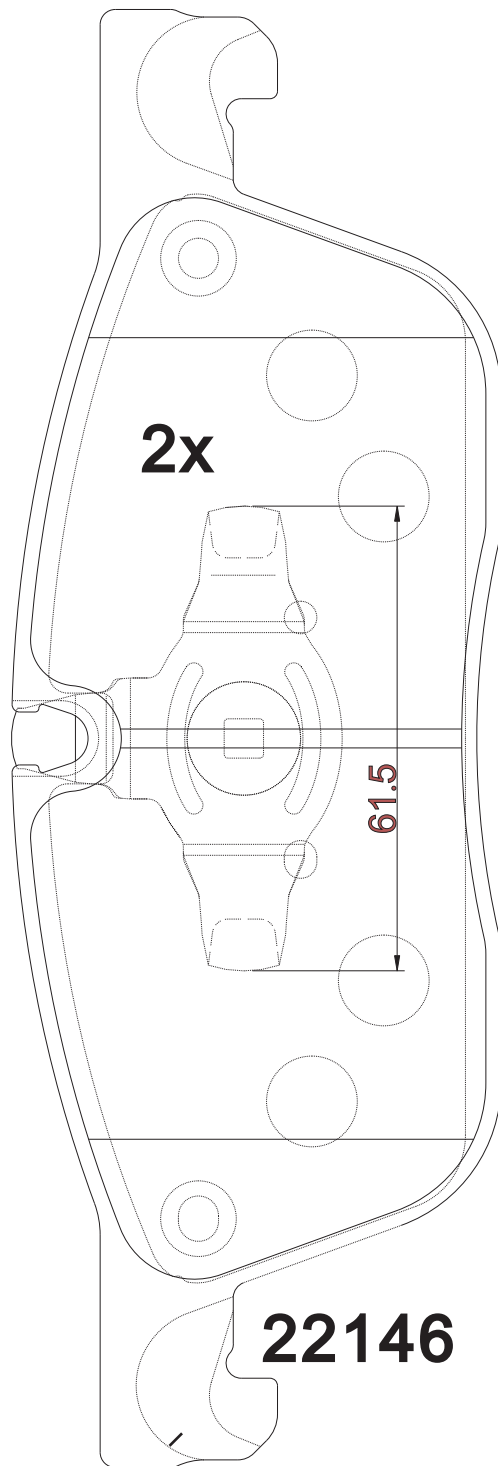
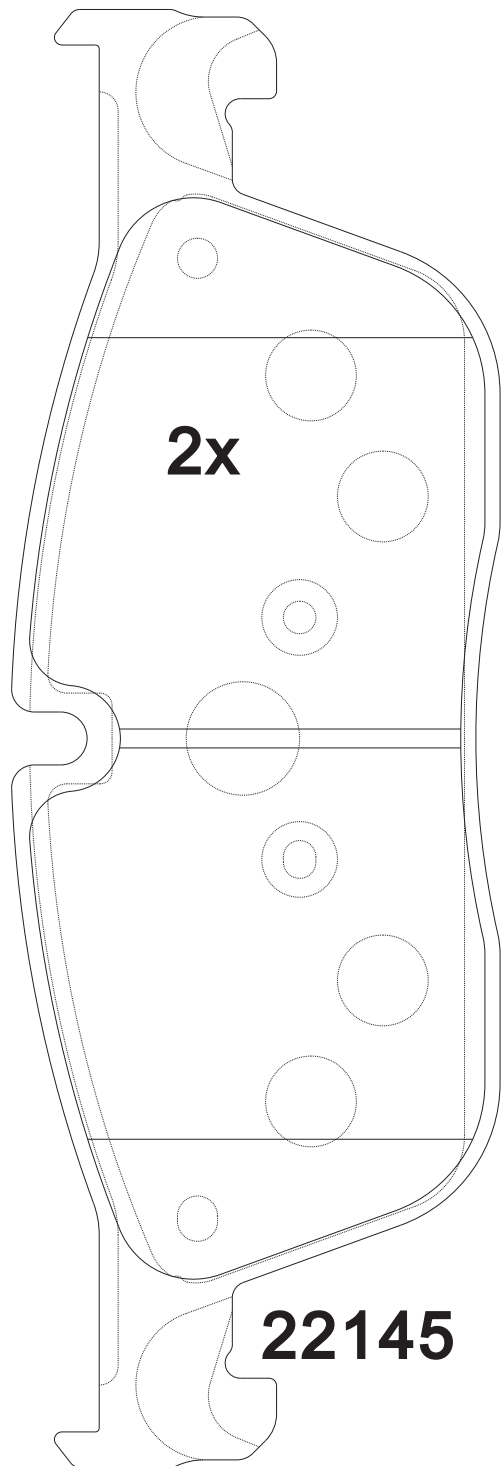


NOTE

2 identical; 2 identical;

193.3×65.3

17.7/18.7



Apply for:

Land Rover Discovery Sport

2015-2016

SR0904

**Dimension
(mm)**

**Thickness
(mm)**



NOTE

**附件包
Accessory bag**



2x



X0233A总长1184mm

FJB2X0233A

SR0905.01

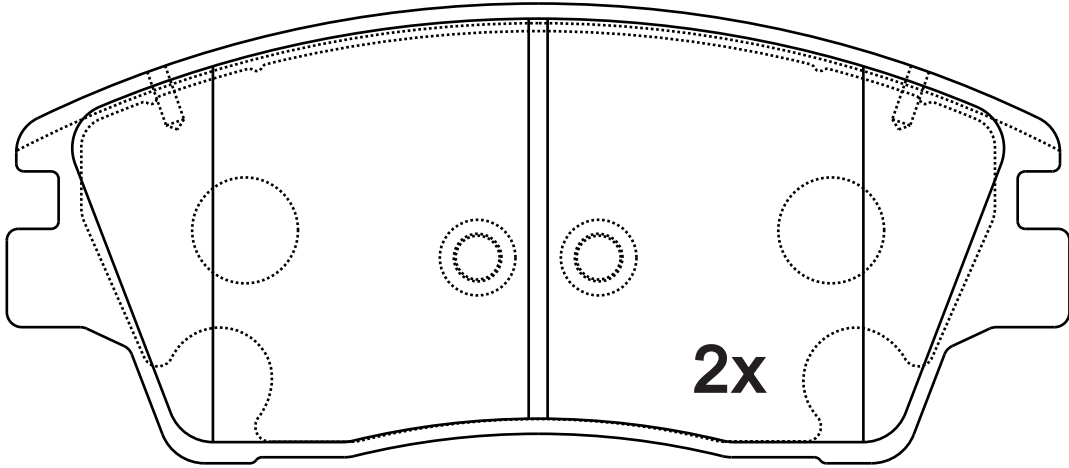
Dimension
(mm)

Thickness
(mm)

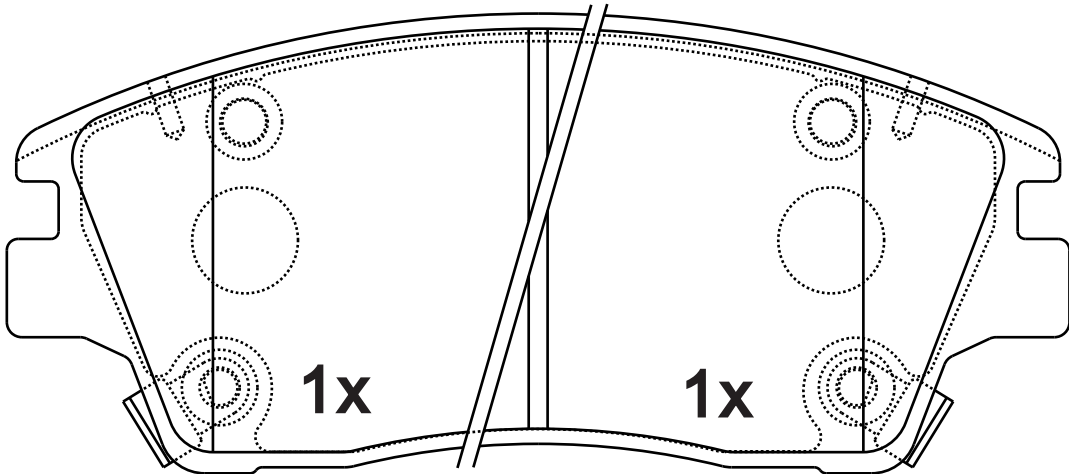


NOTE

4 identical, 1 with
acoustic indicator(left),
1 with acoustic indicator
(right).



D1847



Apply for:

Hyundai Tucson
Hyundai Tucson Fuel Cell

2016-
2016-

SR0905

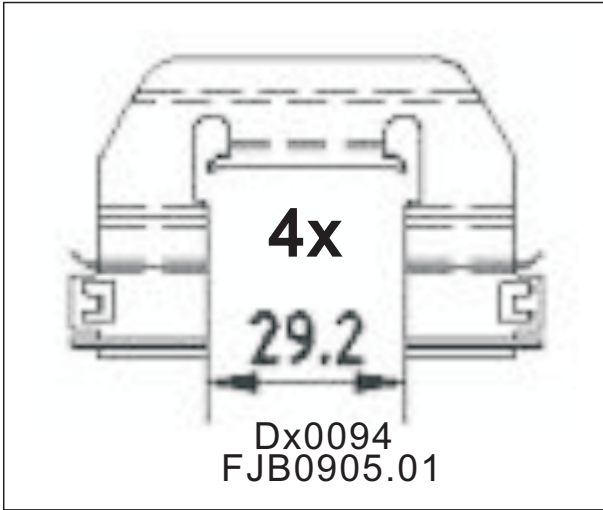
**Dimension
(mm)**

**Thickness
(mm)**



NOTE

**附件包
Accessory bag**



SR0906.01

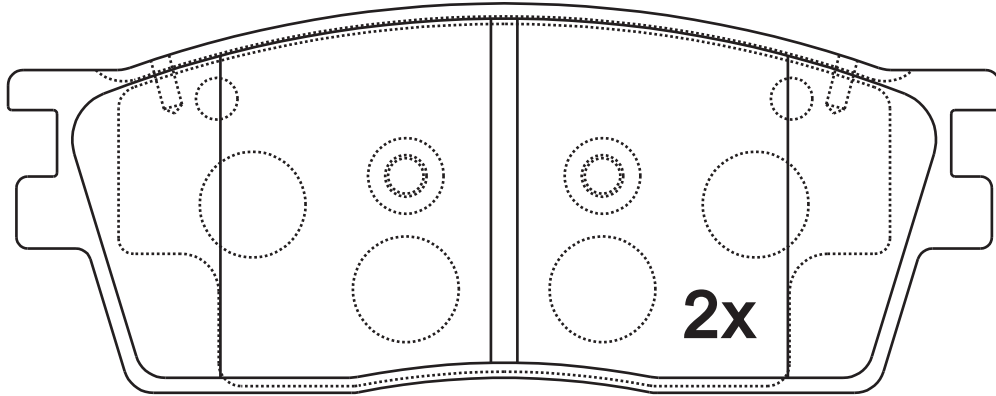
Dimension
(mm)

Thickness
(mm)

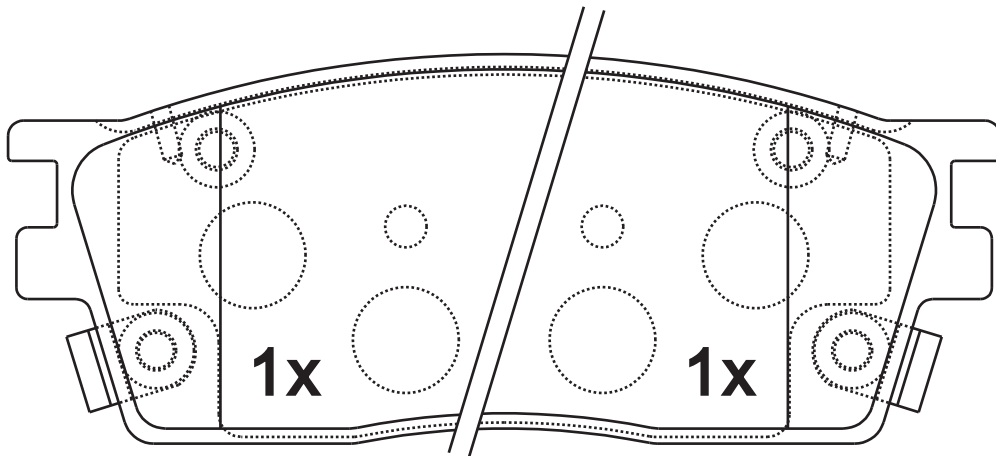


NOTE

4 identical, 1 with
acoustic indicator (left),
1 with acoustic indicator
(right).



25770



25772

25771

Apply for:

Gac Ga3 Saloon

2013/03-

SR0907.01

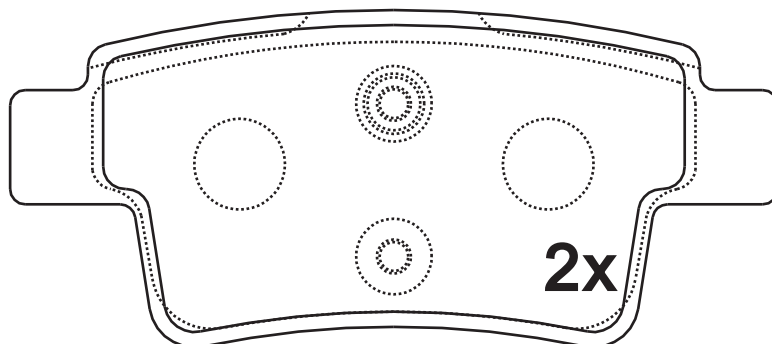
Dimension
(mm)

Thickness
(mm)

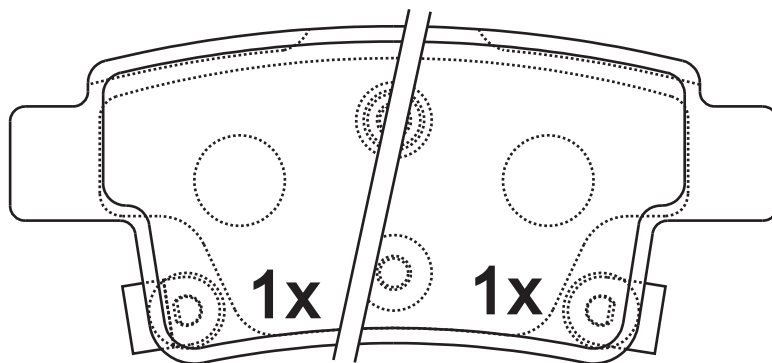


NOTE

4 identical, 1 with
acoustic indicator (left),
1 with acoustic indicator
(right).



GDB7982



Apply for:

Gac Ga3 Saloon
Gac Gs4 Closed Off-Road Vehicle

2013/03-
2015/04-

SR0908.01

Dimension
(mm)

133.4×61.2
133.4×66.5

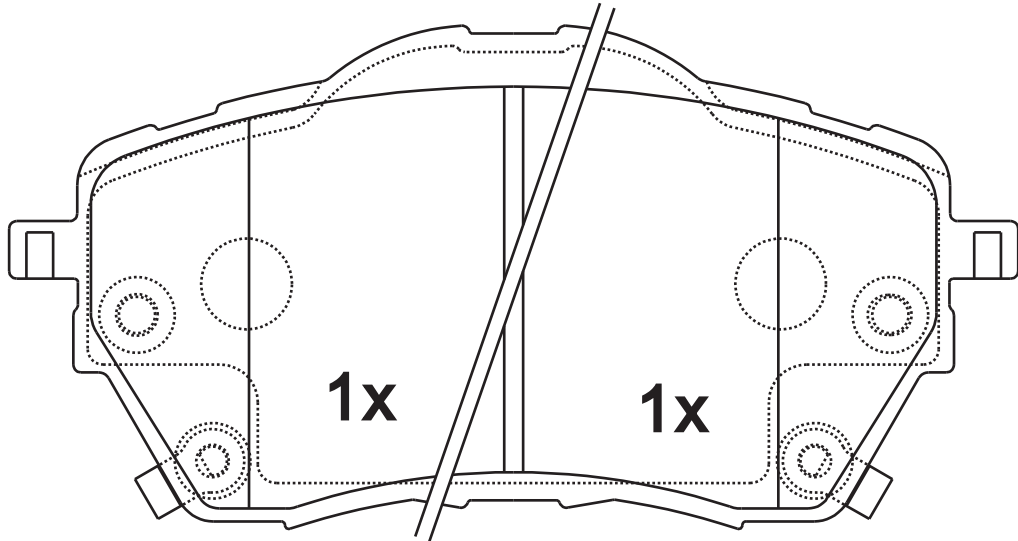
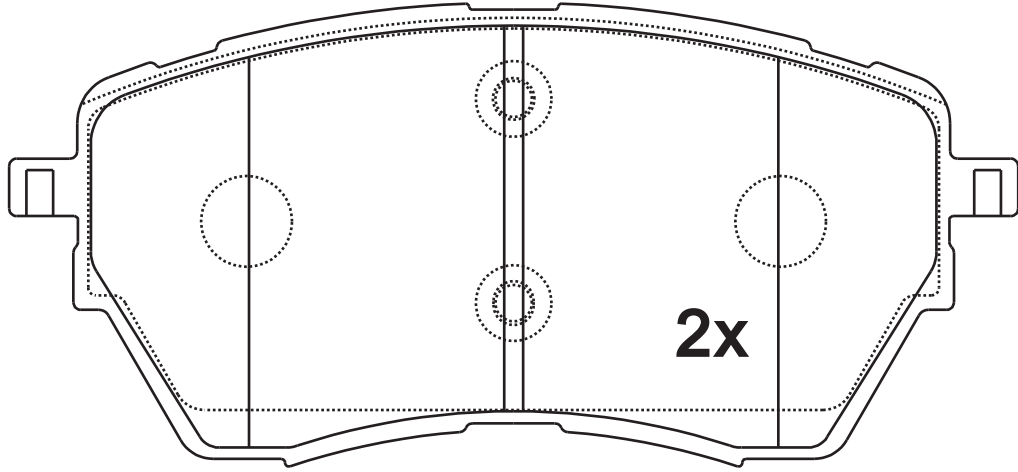
Thickness
(mm)

18.1



NOTE

2 identical; 2 identical, 1 with acoustic indicator (left), 1 with acoustic indicator (right).



OE:8835001CAC0100

Apply for:

传祺GA6

SR0909.01

Dimension
(mm)

Thickness
(mm)

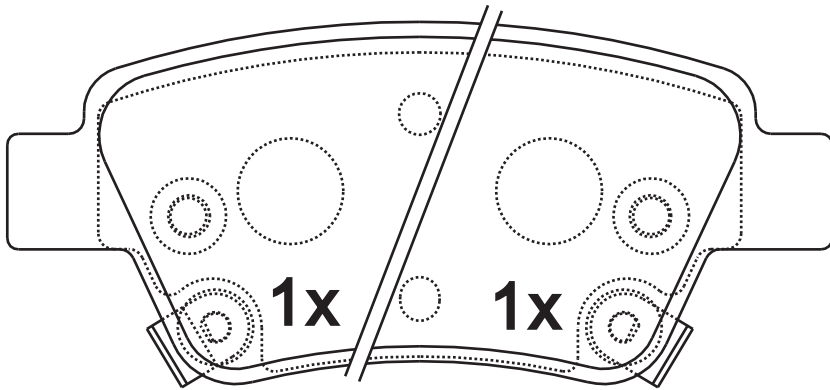
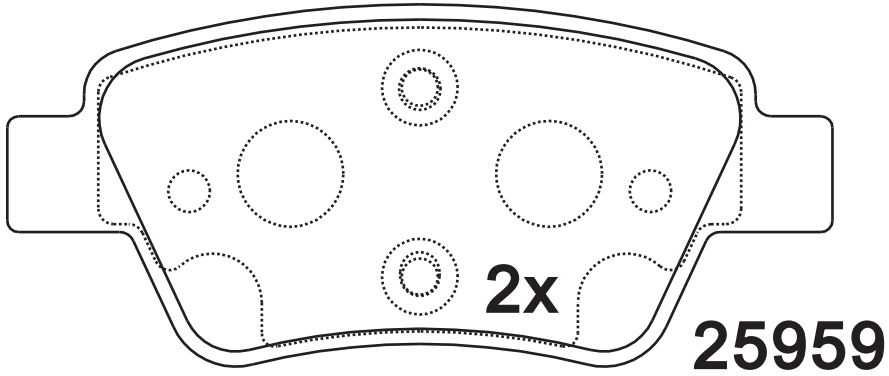


NOTE

2 identical; 2 identical, 1 with acoustic indicator (left), 1 with acoustic indicator (right).

109.1×47.9

16.3



25961

25960

Apply for:

传祺GA6

SR0910.01

Dimension
(mm)

192.7×61.4

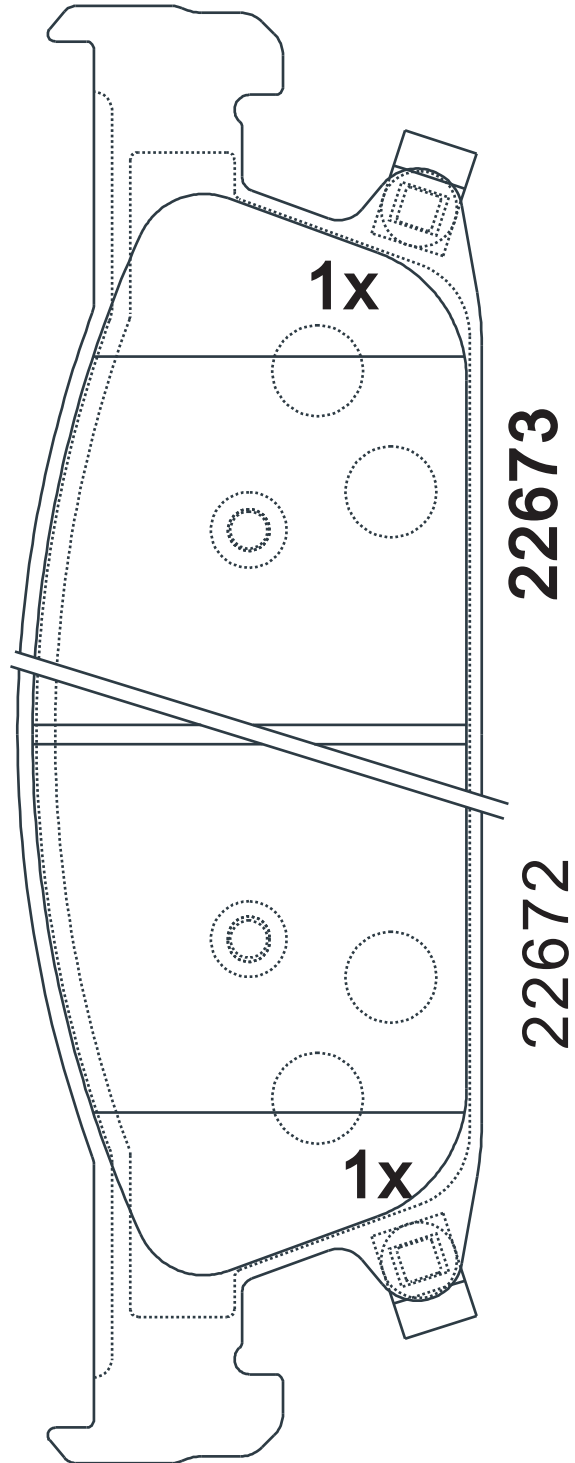
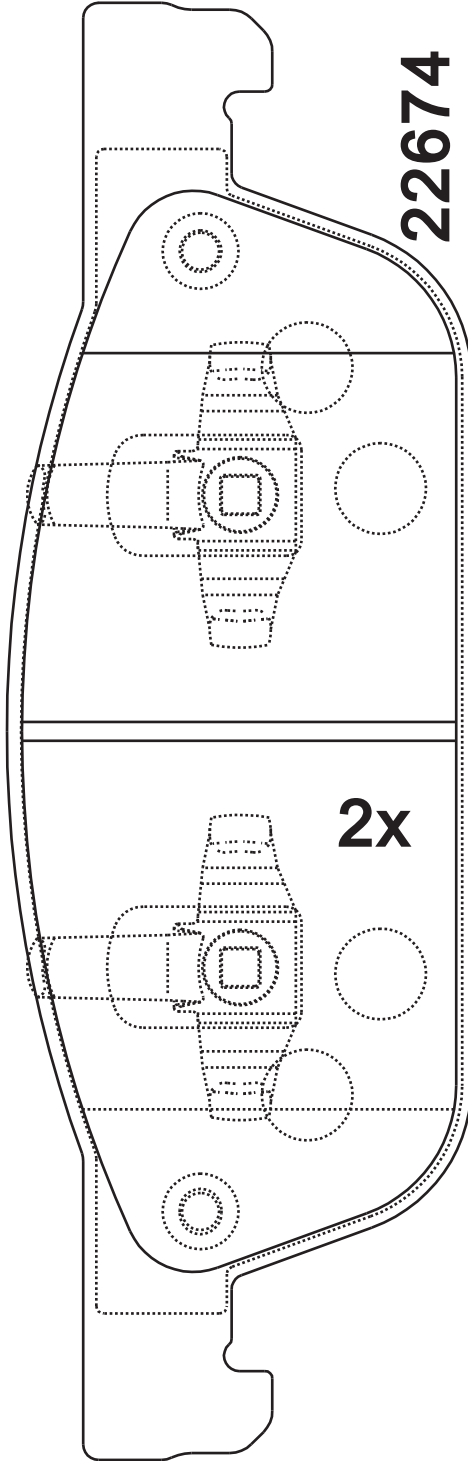
Thickness
(mm)

17.1



NOTE

2 identical;**2 identical**,1 with acoustic indicator (left),1 with acoustic indicator(right).



Apply for:

OE:8835001CAD0000

GAC GS8

版次:A/3

SR0911.01

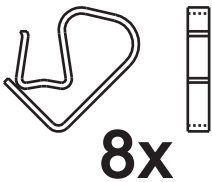
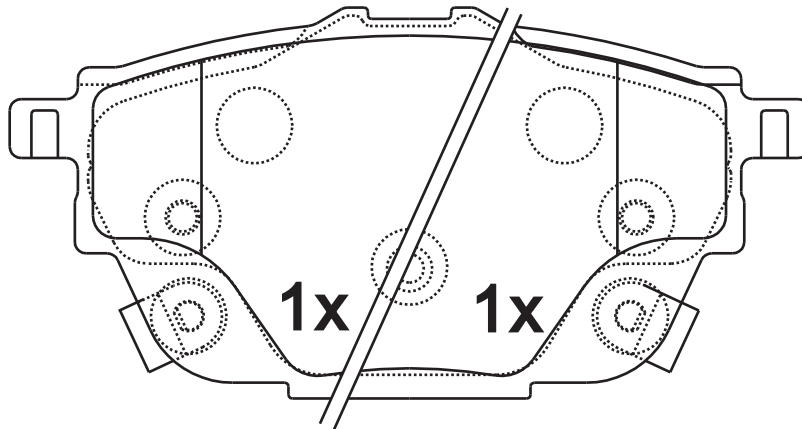
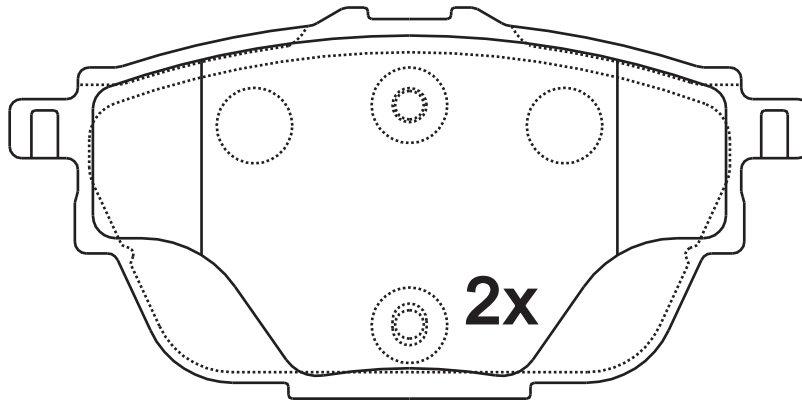
Dimension
(mm)

Thickness
(mm)



NOTE

2 identical; 2 identical, 1 with acoustic indicator (left), 1 with acoustic indicator (right).



OE:3520001CADS010

Apply for:

Gac Gs7 Closed Off-Road Vehicle
Gac Gs8 Closed Off-Road Vehicle

2017/08-
2016/10-

SR0912.01

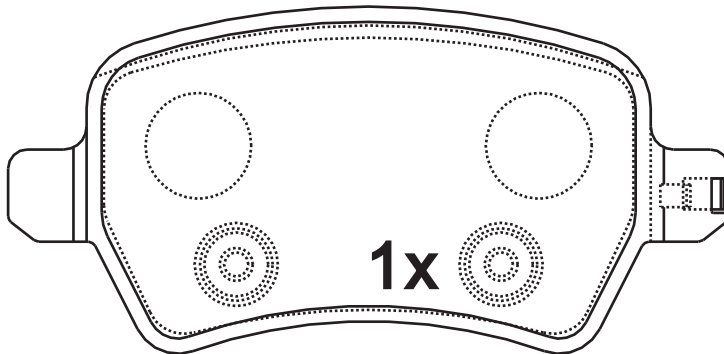
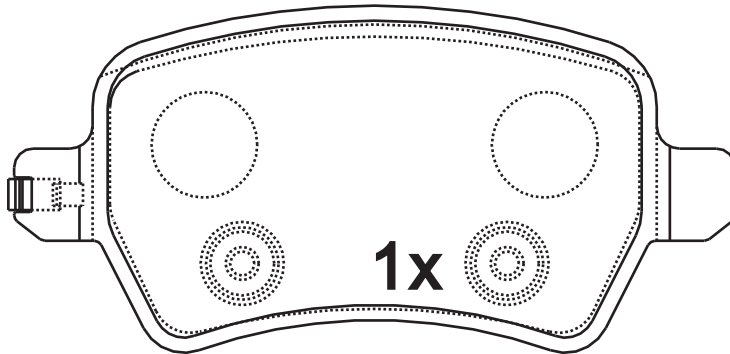
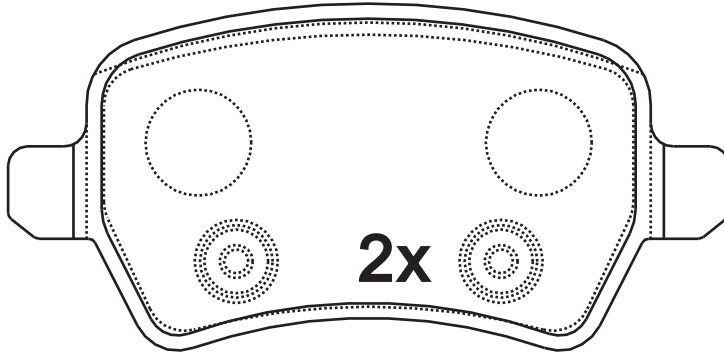
Dimension
(mm)

Thickness
(mm)



NOTE

2 identical; 2 identical, 1 with acoustic indicator (left), 1 with acoustic indicator (right).



OE:1409A331501

Apply for:

北汽幻速S3

SR0913.01

Dimension
(mm)

Thickness
(mm)

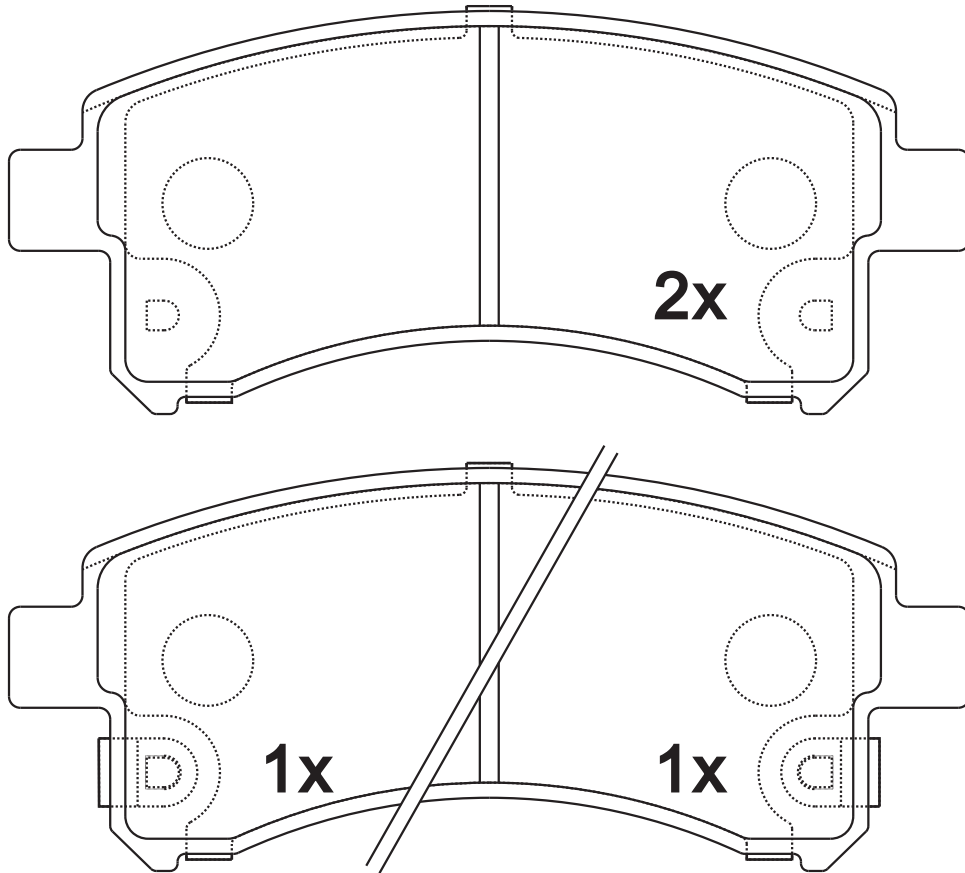


NOTE

2 identical; 2 identical, 1 with acoustic indicator (left), 1 with acoustic indicator (right).

126.8×53.1

14.5



GDB7949

Apply for:

Changan (Chana) Honor Mpv
Changan (Chana) Honor Mpv

2012/02-
2012/02-

SR0914.01

Dimension
(mm)

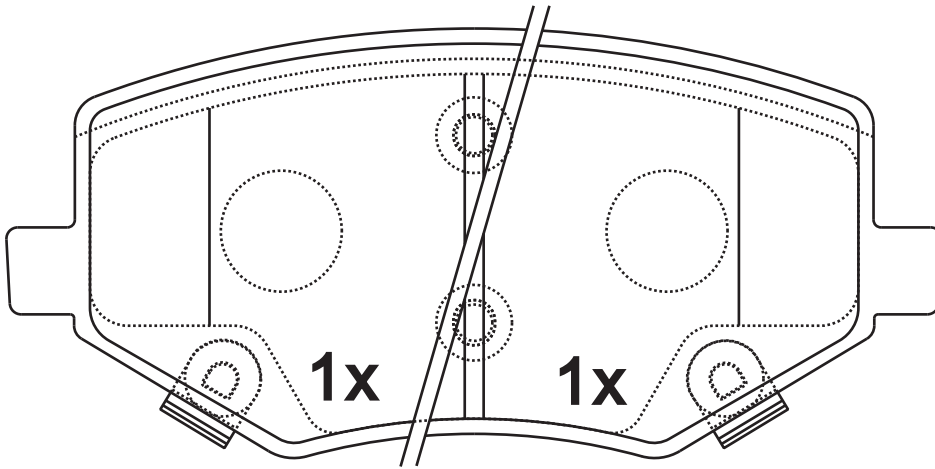
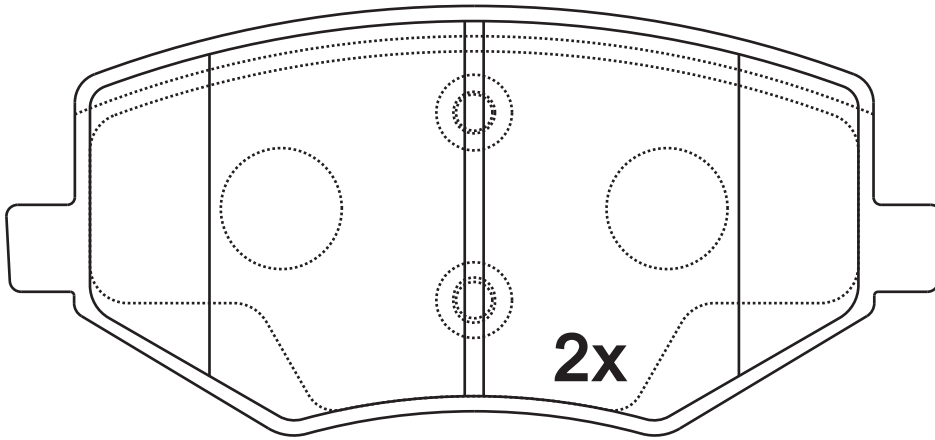
Thickness
(mm)



NOTE
2 identical; 2 identical, 1 with acoustic indicator (left), 1 with acoustic indicator (right).

124.1×57

16



GDB7960

Apply for:

宝骏730

版次: A/3

SR0915.01

Dimension
(mm)

Thickness
(mm)

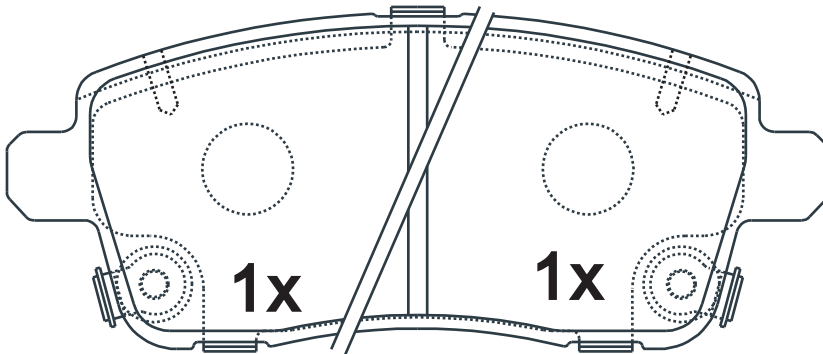
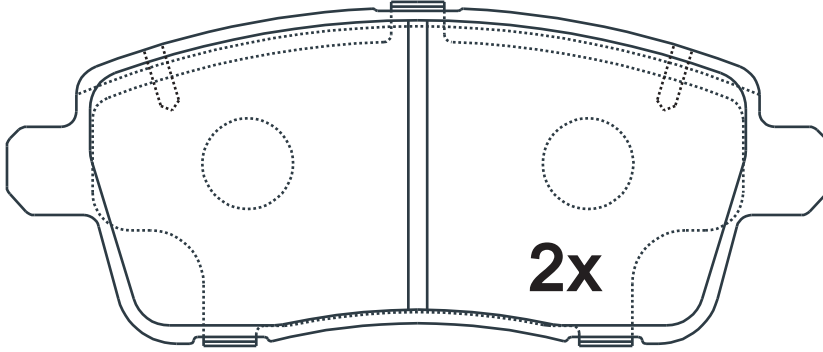


NOTE

2 identical; 2 identical, 1 with acoustic indicator (left), 1 with acoustic indicator (right).

108.7×44.3

14.8



3502117001A02X27009

Apply for:

众泰大迈X5、2015-

SR0916.01

Dimension
(mm)

120×44.9
120×46.3

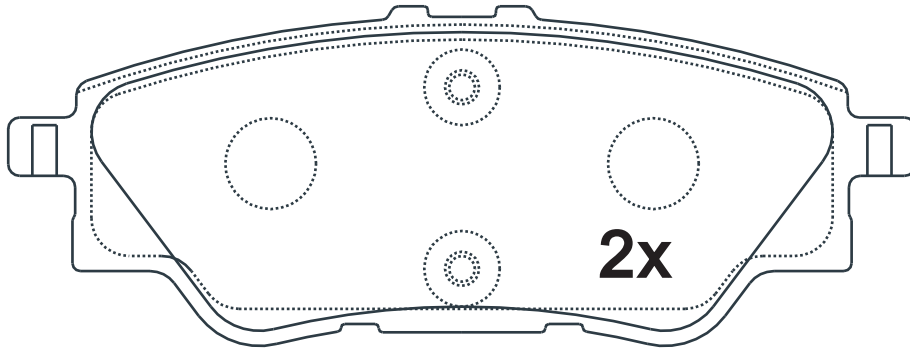
Thickness
(mm)

16



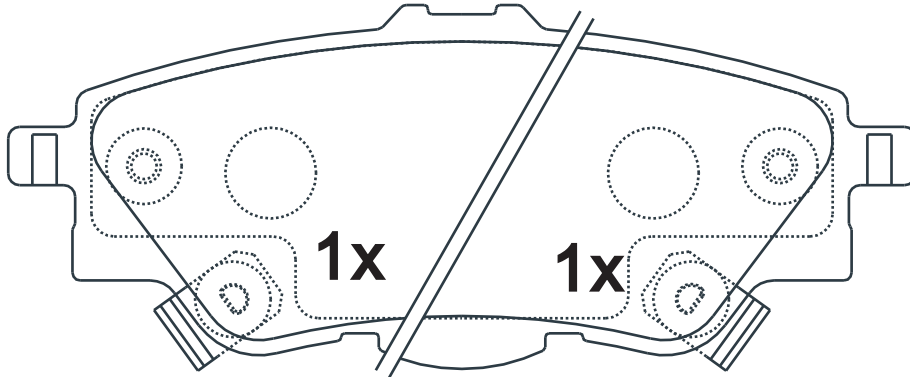
NOTE

2 identical, 2 identical,
1 with acoustic indicator
(left), 1 with acoustic
indicator(right).



2x

25596



1x

1x

25597

25598



8x

Apply for:

江铃驭胜S350

SR0917.01

Dimension
(mm)

Thickness
(mm)



NOTE

SR0918.01

Dimension
(mm)

Thickness
(mm)



NOTE

SR0919.01

Dimension
(mm)

Thickness
(mm)

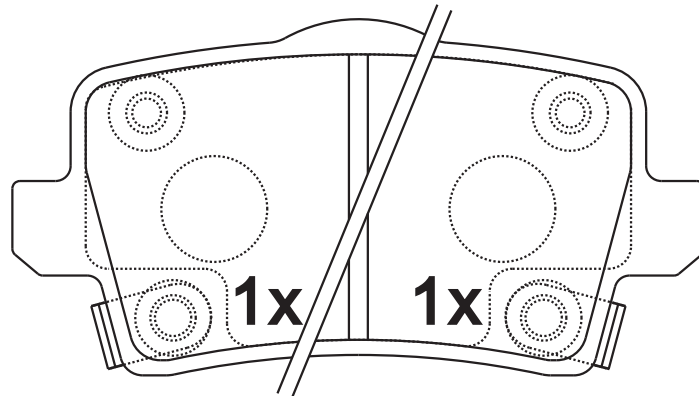
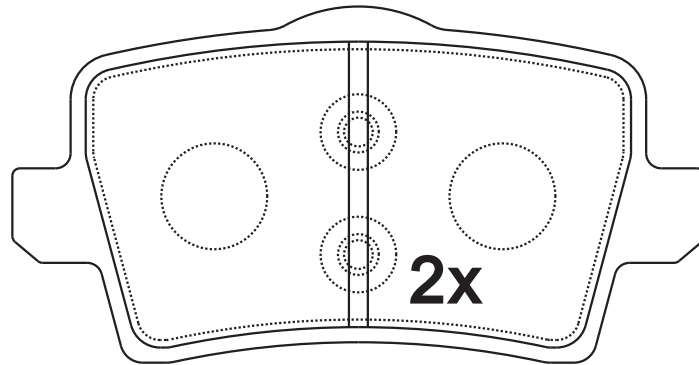


NOTE

2 identical; 2 identical, 1 with acoustic indicator (left), 1 with acoustic indicator (right).

91.5×47.1

15



GDB7917

Apply for:

Mazda (Changan) Cx-5 (Ke)

2011/11-2017/09

SR0920.01

Dimension
(mm)

Thickness
(mm)

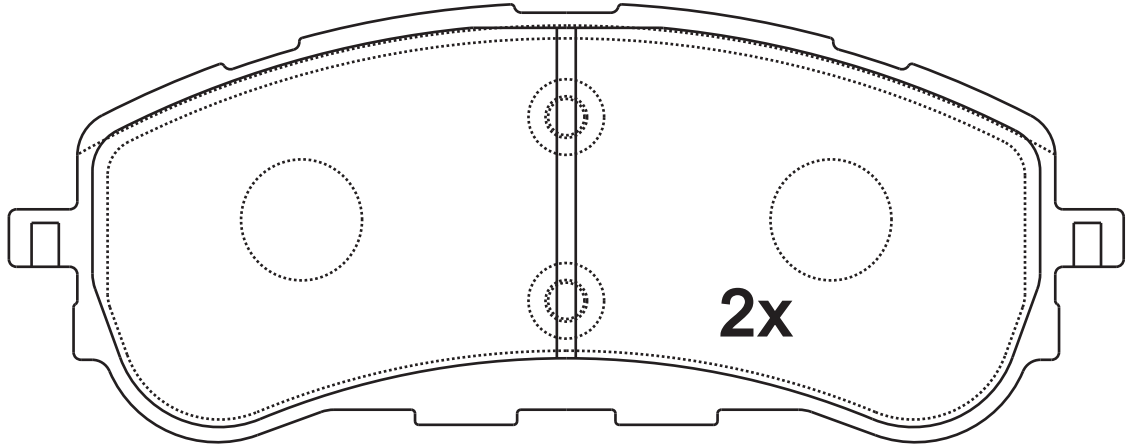


NOTE

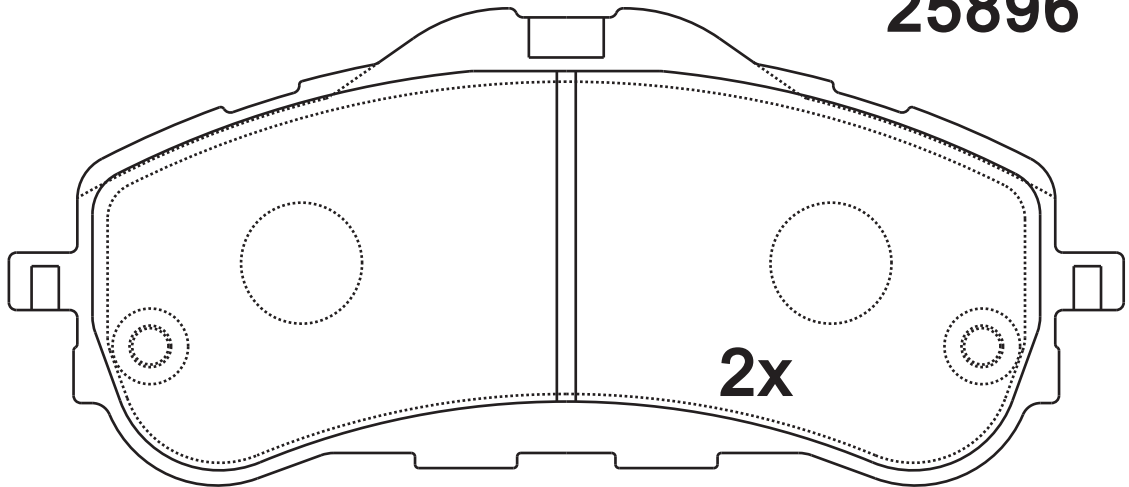
2 identical;2 identical;

147.5×58.1/63.3

17.5



25896



25895

D1889



8x

Apply for:

Peugeot 308 li
Peugeot (Df-Psa) 308S Hatchback

2013/09-
2015/04-

SR0920

Dimension
(mm)

Thickness
(mm)



NOTE

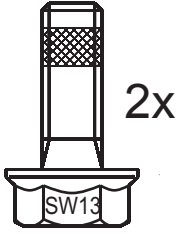
147.7×64.9

17.5



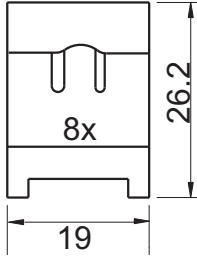
附件包

Accessory bag



M8X22

L0020



K0490

FJB0920.01

SR0921.01

Dimension
(mm)

Thickness
(mm)

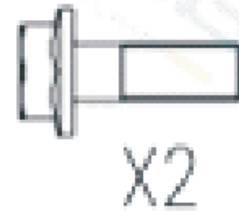
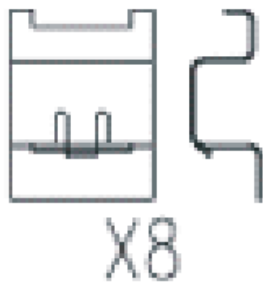
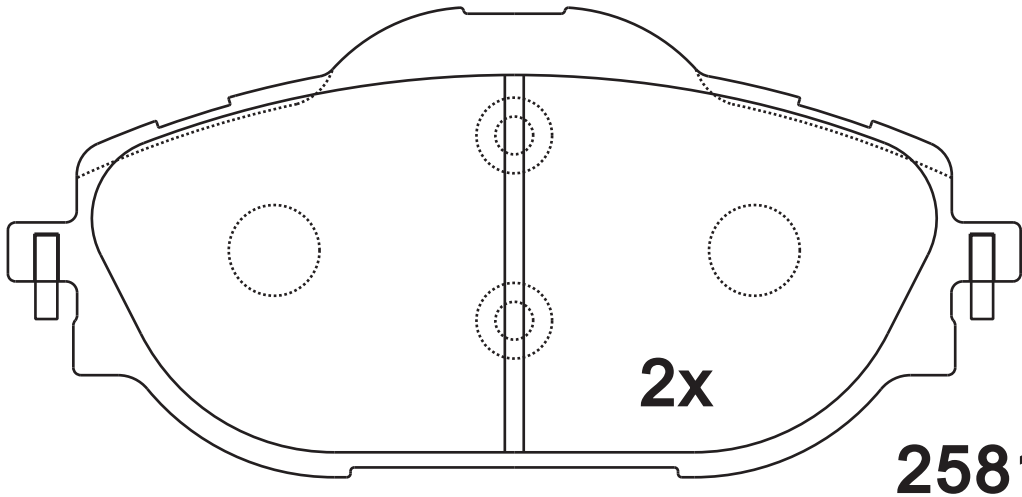
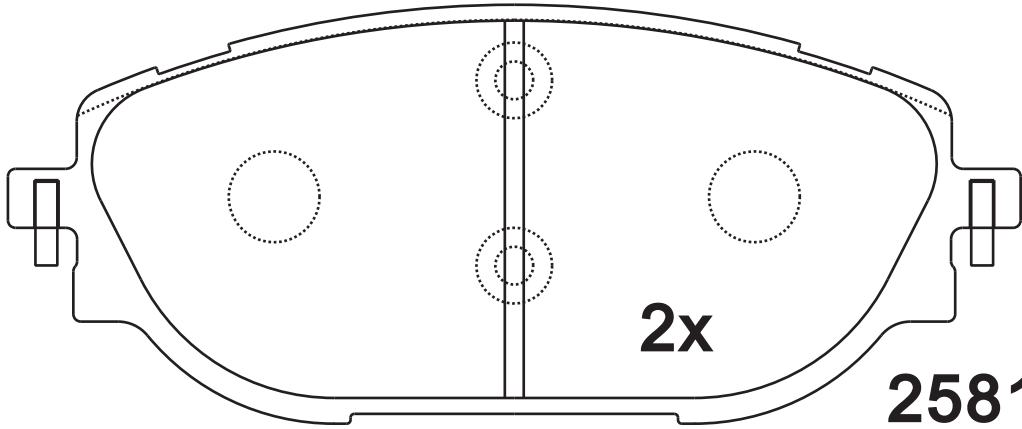


NOTE

2 identical;2 identical;

134.2×55.8

17.1



Apply for:

东风汽车L602015-

SR0922.01

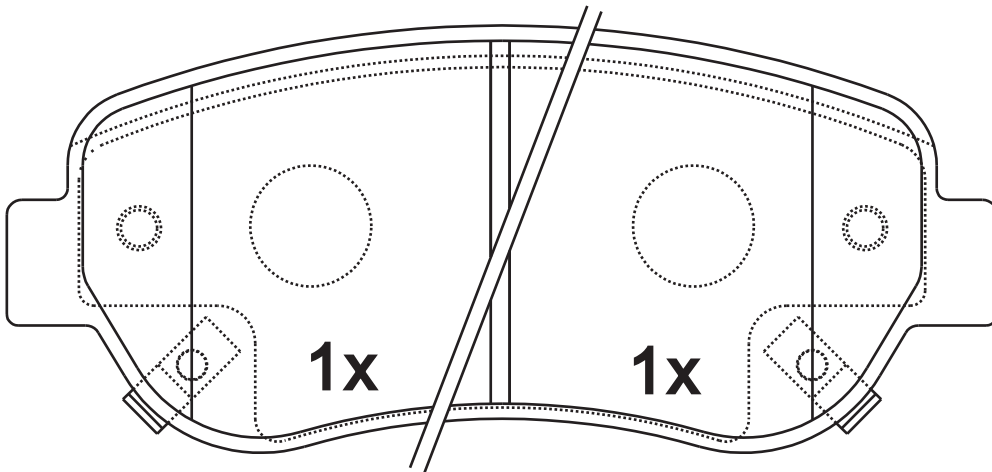
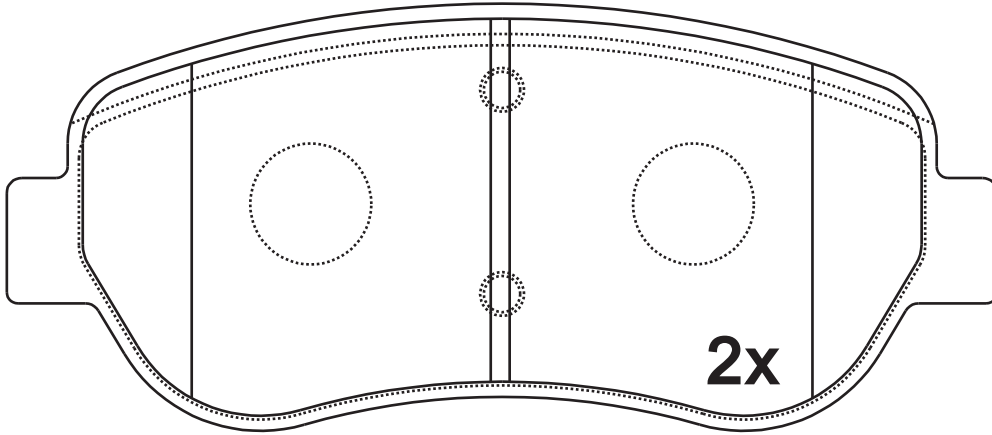
Dimension
(mm)

Thickness
(mm)



NOTE

2 identical; 2 identical, 1 with acoustic indicator (left), 1 with acoustic indicator (right).



GDB8115

Apply for:

一汽森雅 S7

SR0923.01

Dimension
(mm)

Thickness
(mm)

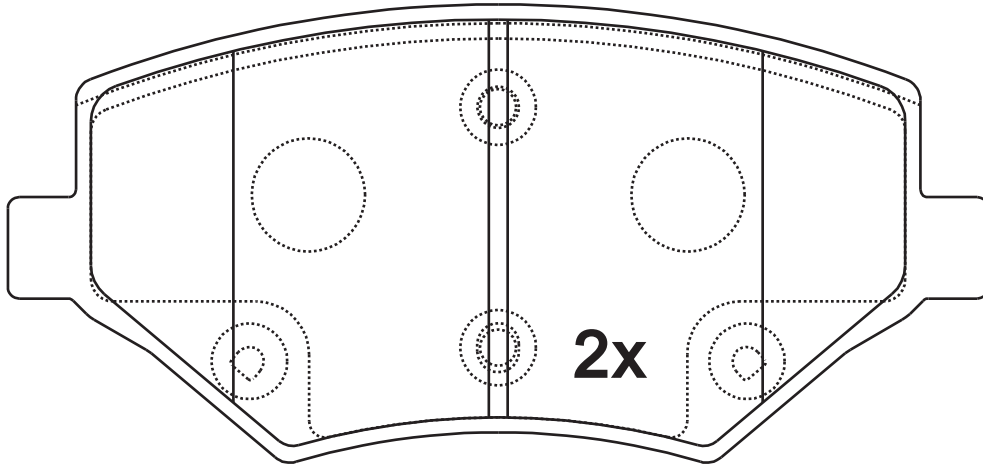


NOTE

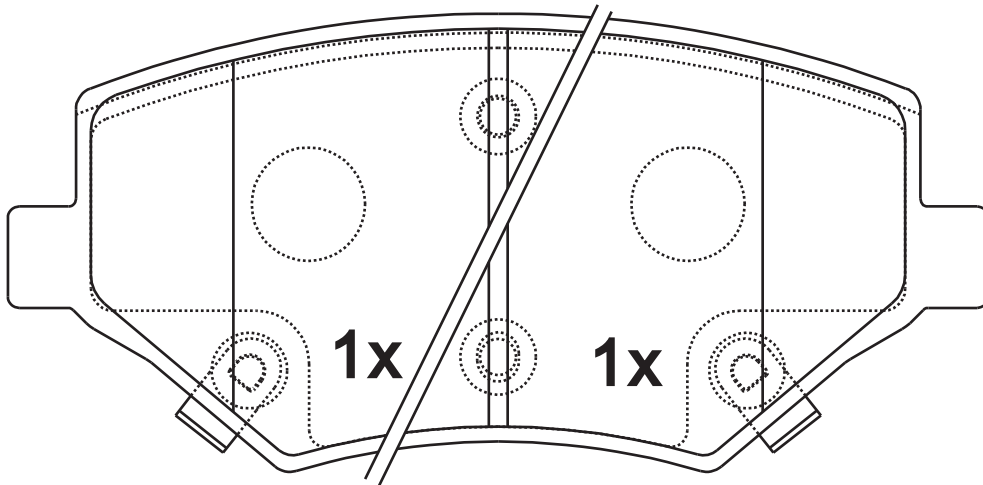
2 identical; 2 identical, 1 with acoustic indicator (left), 1 with acoustic indicator (right).

129.7×60.6

16.9



D1941



Apply for:

Chevrolet Aveo Hatchback (T300)
Chevrolet (Sgm) Aveo Hatchback (T300)

2011/03-
2011/05-

SR0924.01

Dimension
(mm)

129.8×69.5

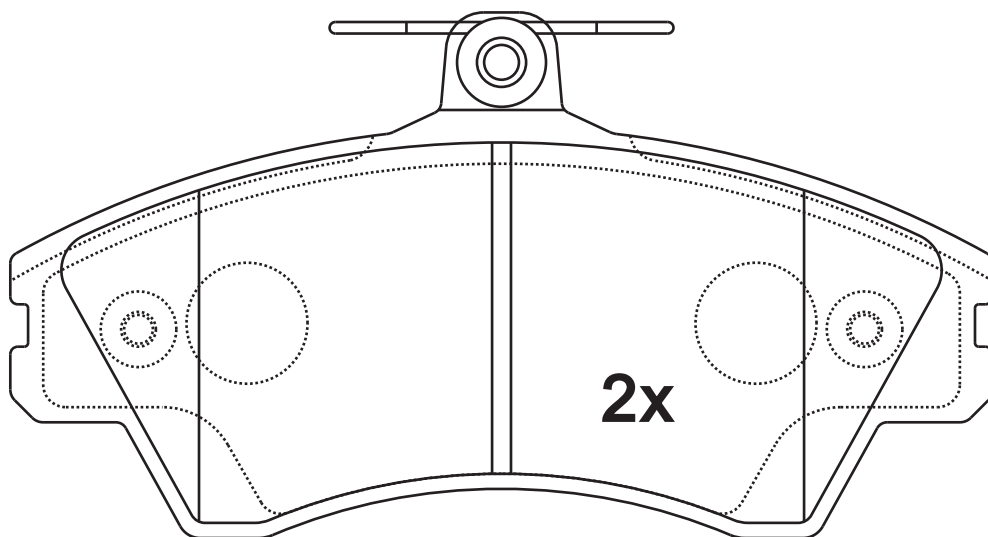
Thickness
(mm)

16.5

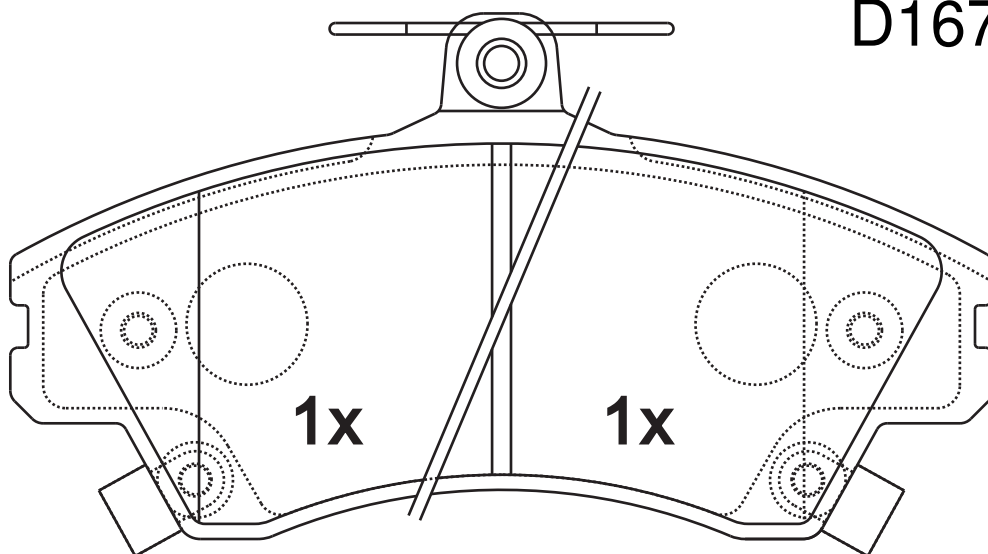


NOTE

2 identical; 2 identical, 1 with acoustic indicator (left), 1 with acoustic indicator (right).



D1672



Apply for:

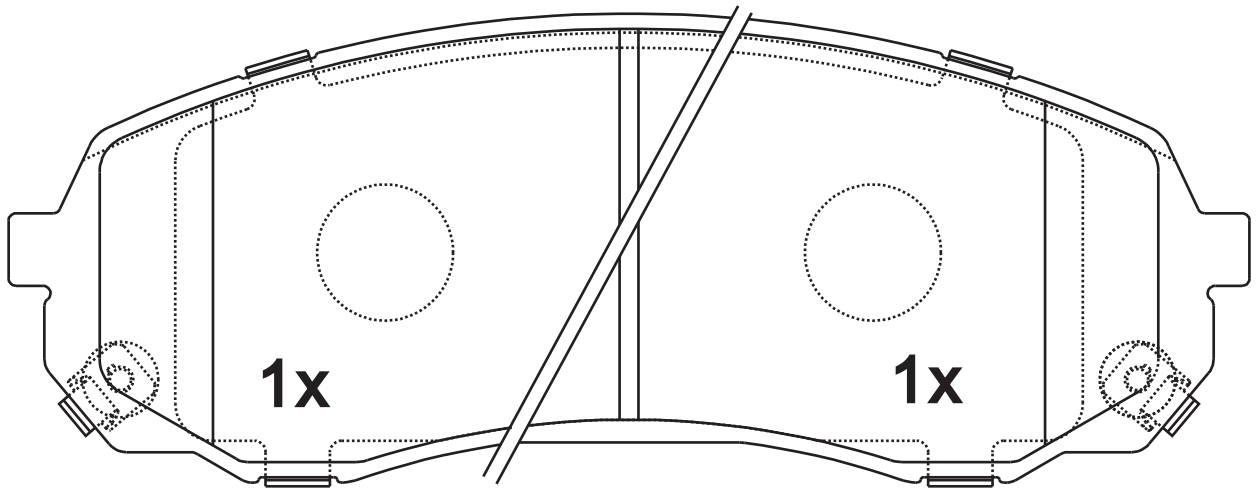
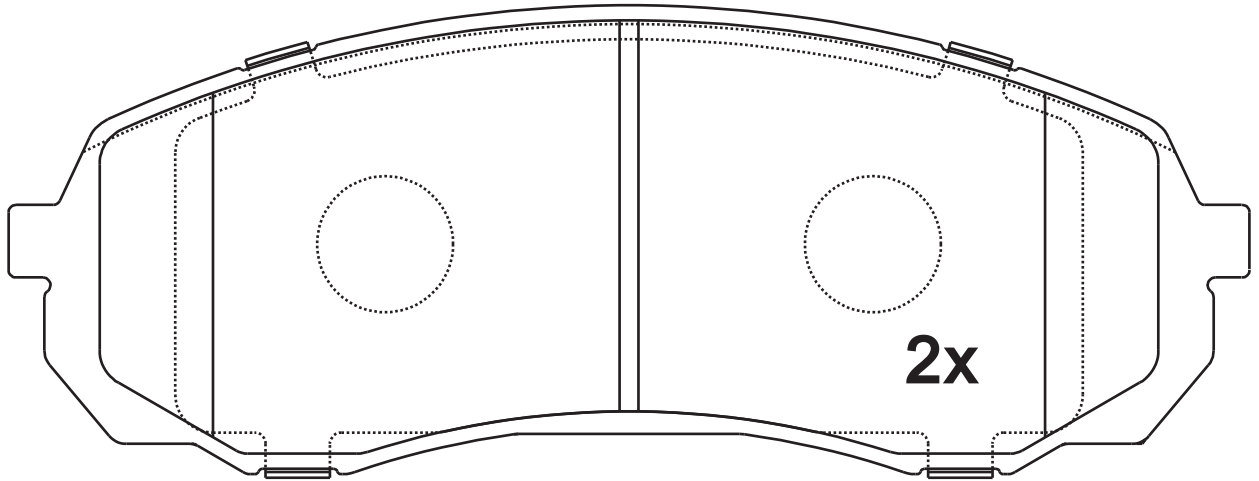
奇瑞瑞虎3/英致G3

版次: A/3

SR0925.01

Dimension (mm)	Thickness (mm)	
164.1×62	17	
		

NOTE
2 identical; 2 identical, 1 with acoustic indicator (left), 1 with acoustic indicator (right).



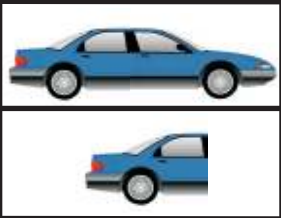
Apply for:

哈弗H9

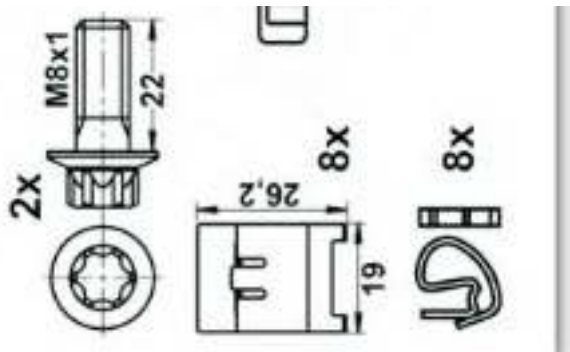
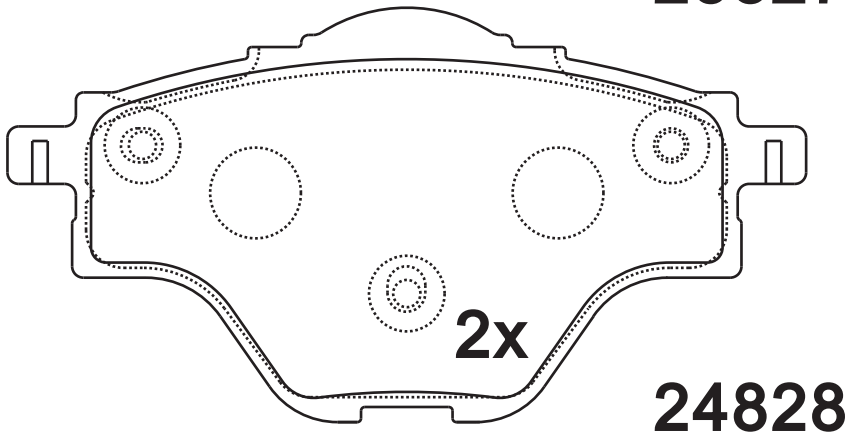
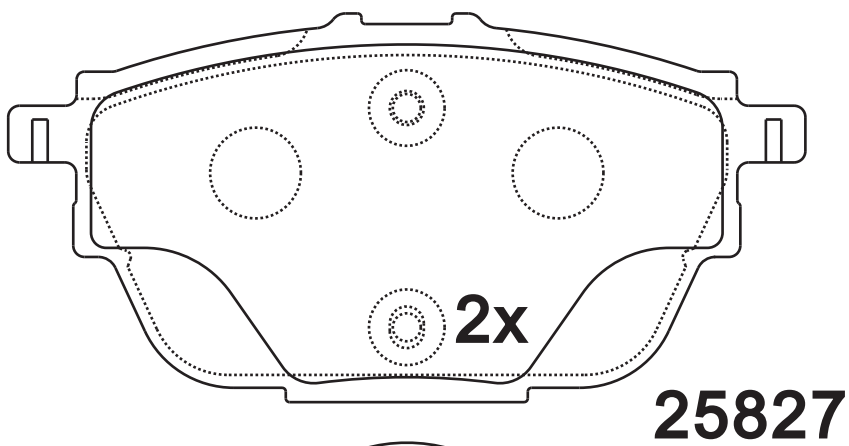
版次: A/3

SR0926.01

Dimension (mm)	Thickness (mm)
105.9×51.8/55.4	17.3



NOTE
2 identical; 2 identical;



Apply for:

Citroen C4 Grand Picasso li
Citroen C4 Picasso li

2013/09-
2013/01-

SR0926

Dimension
(mm)

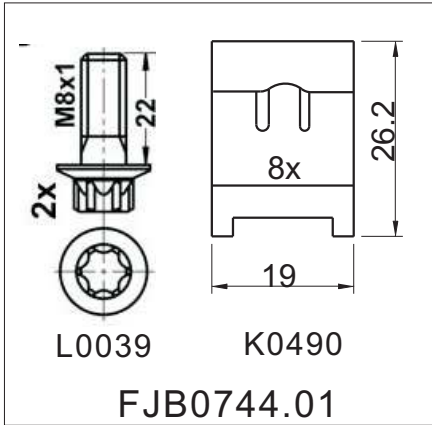
Thickness
(mm)



NOTE

附件包

Accessory bag



SR0927.01

Dimension
(mm)

Thickness
(mm)

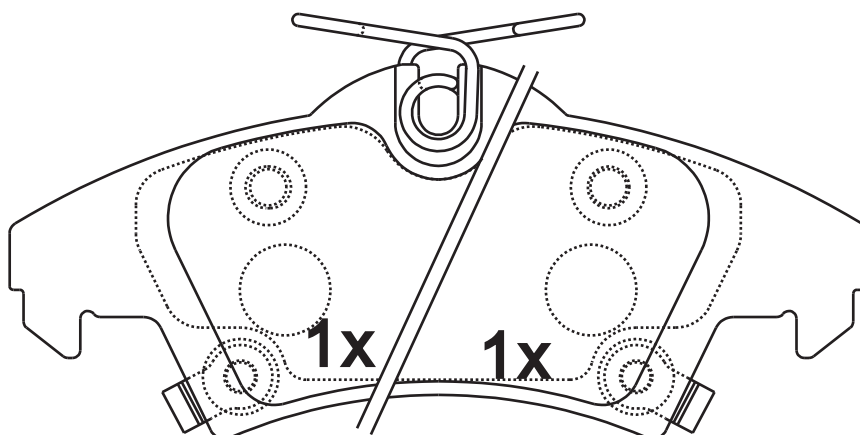
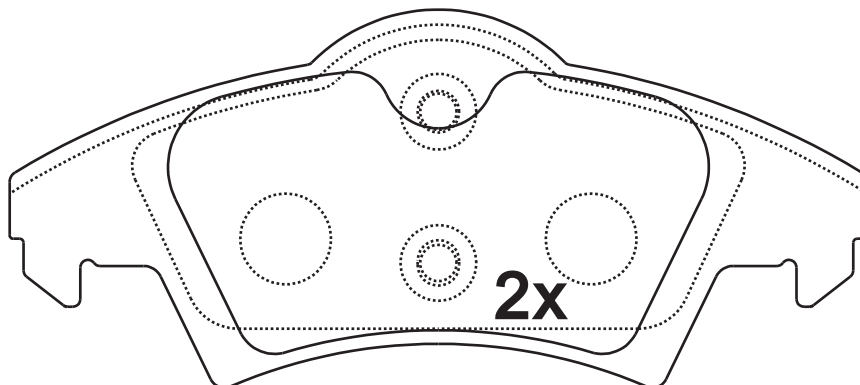


NOTE

2 identical; 2 identical, 1 with acoustic indicator (left), 1 with acoustic indicator (right).

113.4×50

15.5



Apply for:

北斗星e+

版次: A/3

SR0928.01

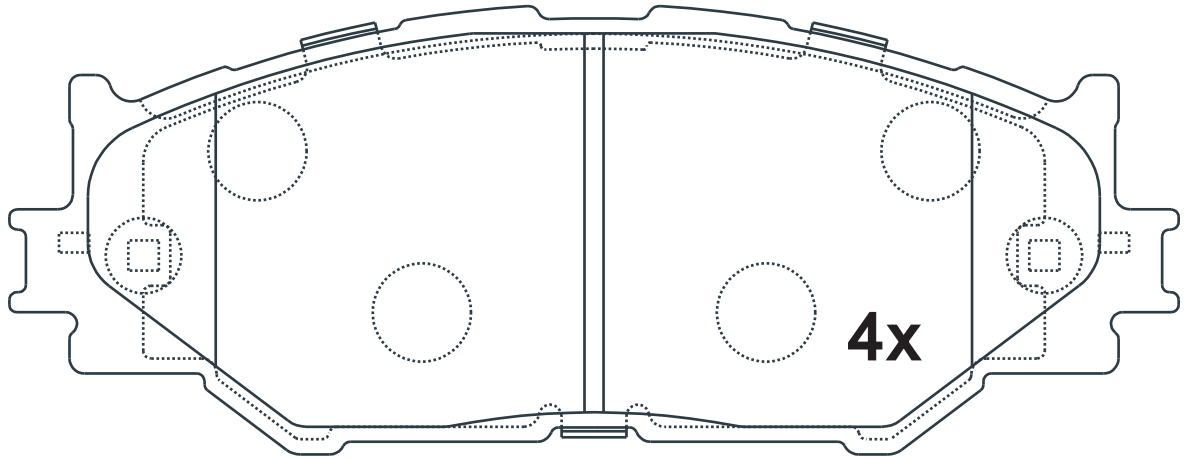
Dimension
(mm)

Thickness
(mm)



NOTE

4 identical;



D1178-8294
GDB3410
23983
FDB1936

Apply for:

LEXUS IS250
LEXUS IS250 RWD

2006-2008
2014

SR0929.01

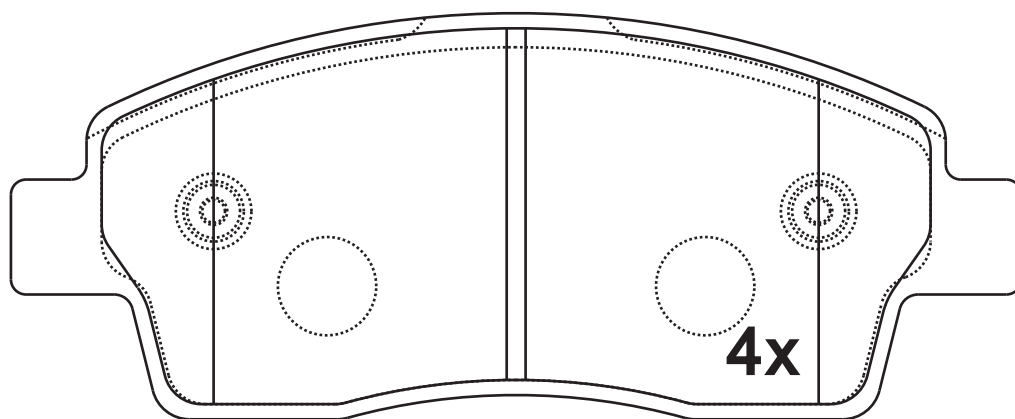
Dimension
(mm)

Thickness
(mm)



NOTE

4 identical;



0986AB3743

Apply for:

名爵MG3

SR0930.01

Dimension
(mm)

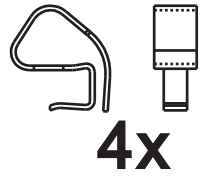
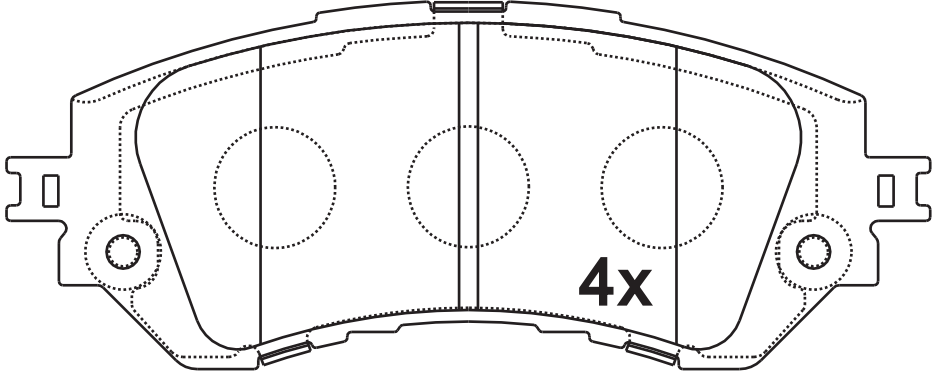
Thickness
(mm)



NOTE
4 identical;

122.1×48.6

17.5



25823
GDB7902

Apply for:

Toyota Yaris (_P15_)
Toyota (Faw) Vios
Toyota (Guangzhou) Yaris L

2013/10-
2013/05-
2014/10-

SR0931.01

Dimension
(mm)

136.7×51.3

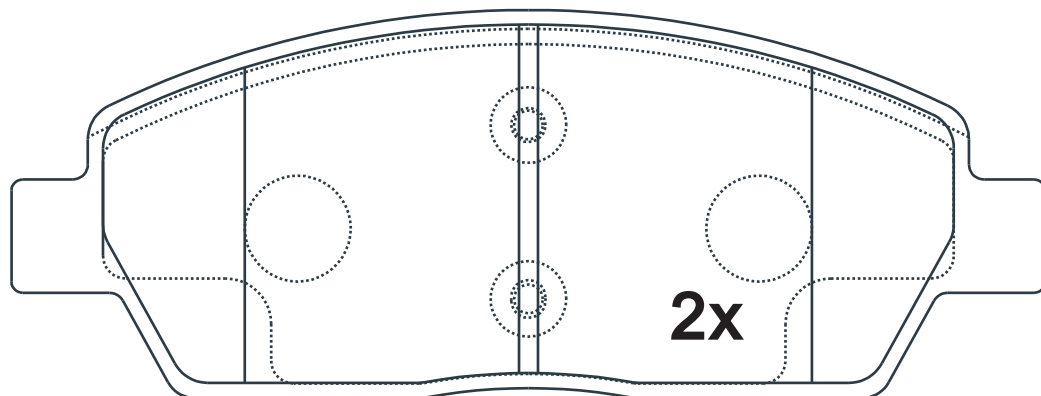
Thickness
(mm)

18.4

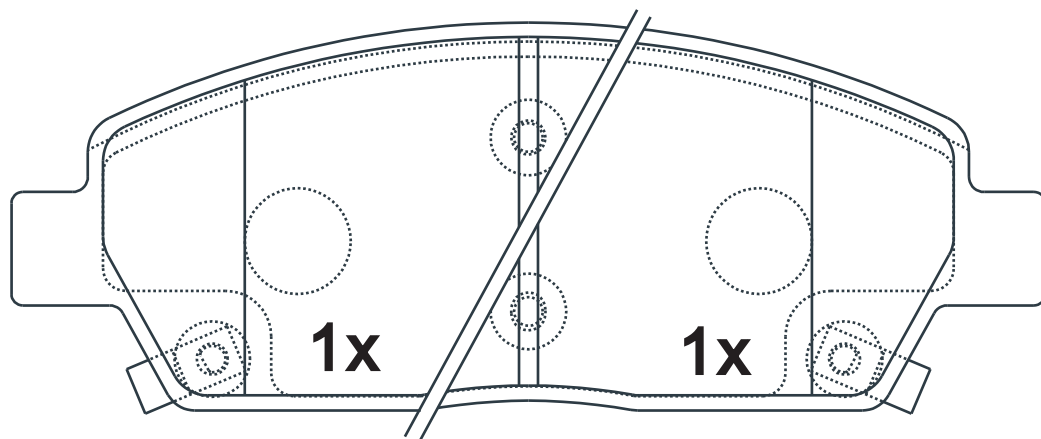


NOTE

2 identical; 2 identical, 1 with acoustic indicator (left), 1 with acoustic indicator (right).



4546004



Apply for:

东风风神A30

版次: A/3

SR0932.01

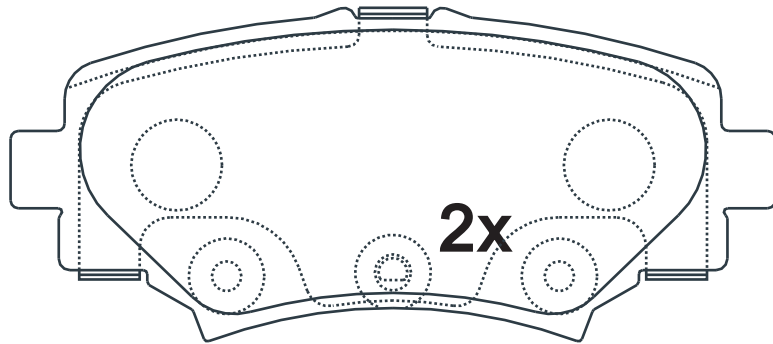
Dimension
(mm)

Thickness
(mm)

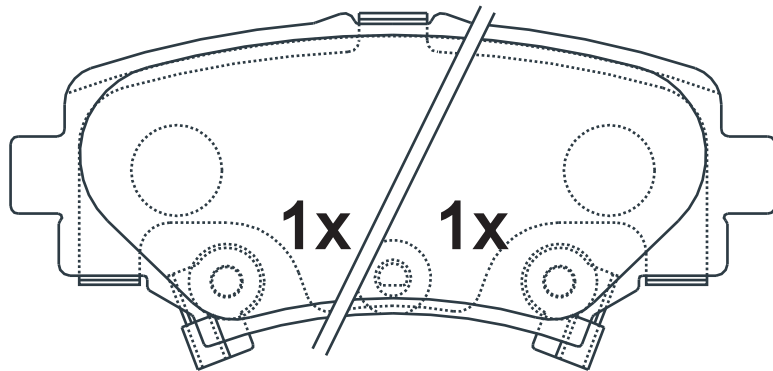


NOTE

4 identical, 1 with acoustic indicator (left), 1 with acoustic indicator (right).



25878



25880

25879

Apply for:

Mazda 3
Mazda (Changan) 3 Axela Hatchback (Bm)

2013/09-
2014/05-

SR0933.01

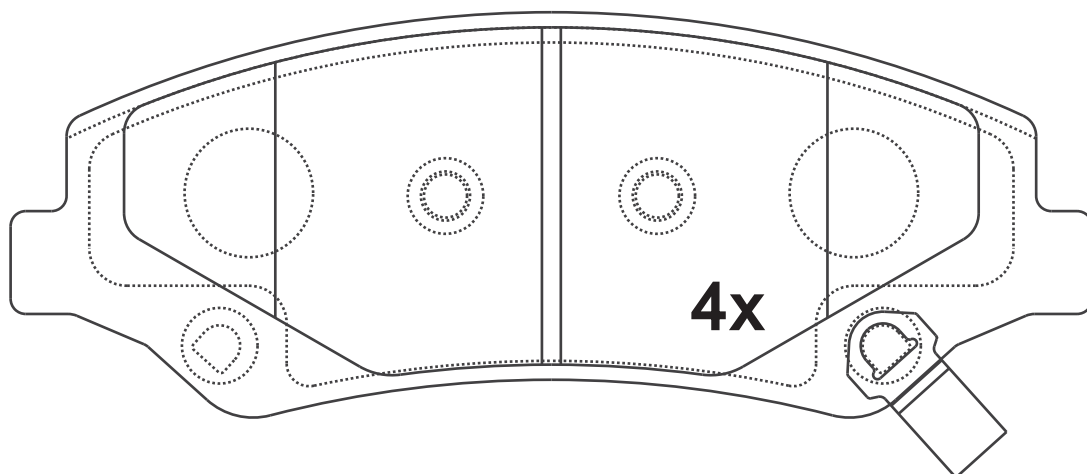
Dimension
(mm)

Thickness
(mm)



NOTE

4 identical;



Apply for:

别克君越2.4

版次: A/3

SR0934.01

Dimension
(mm)

114.6×48.6

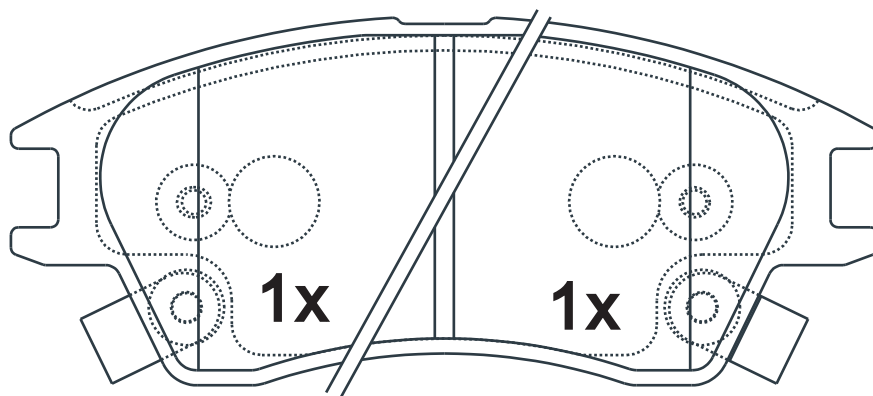
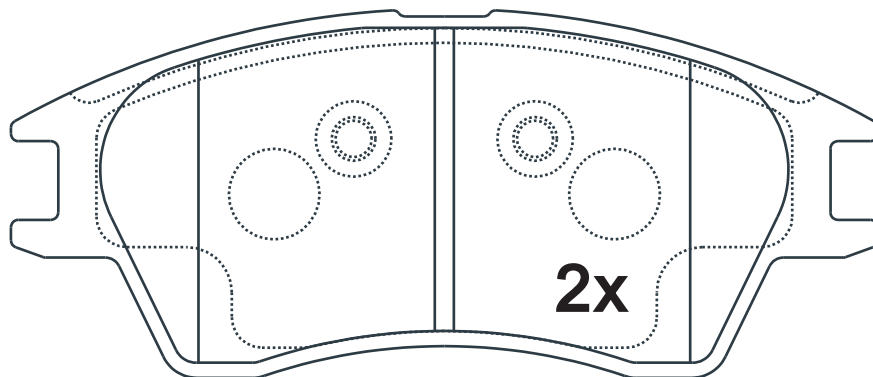
Thickness
(mm)

16



NOTE

2 identical; 2 identical, 1 with acoustic indicator (left), 1 with acoustic indicator (right).



Apply for:

哈飞民意/路宝

SR0935.01

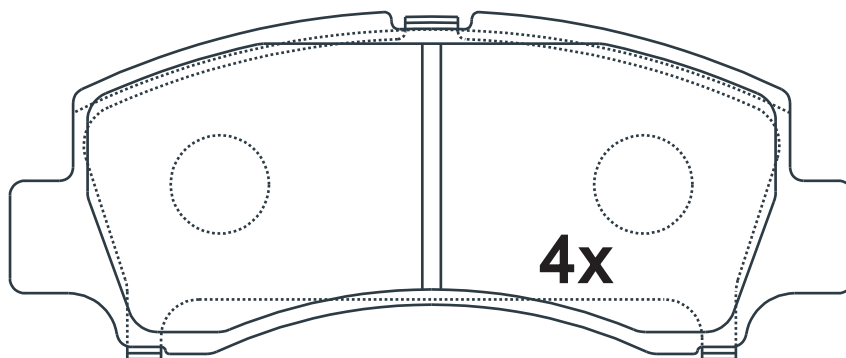
Dimension
(mm)

Thickness
(mm)



NOTE

4 identical;



Apply for:

五菱兴旺/五菱之光

SR0936.01

Dimension
(mm)

Thickness
(mm)



NOTE

SR0937.01

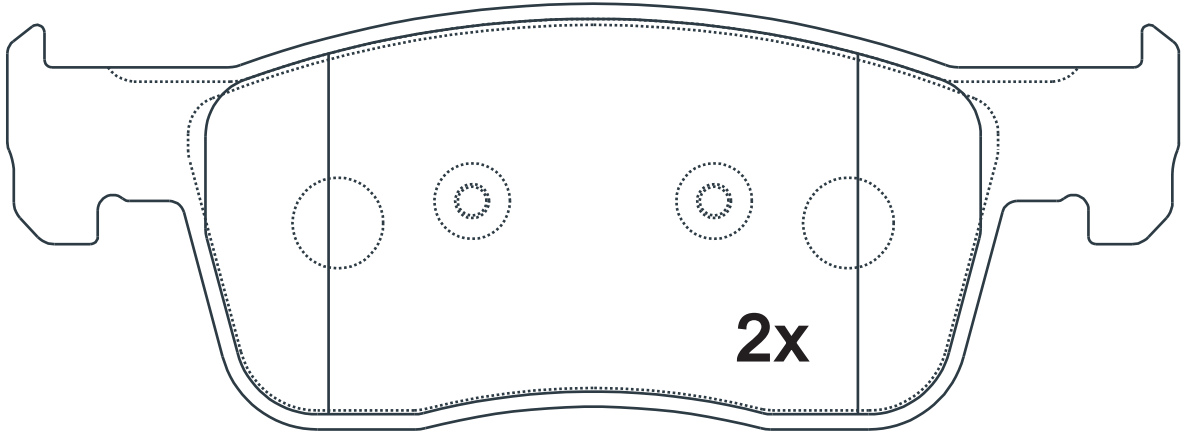
Dimension
(mm)

Thickness
(mm)

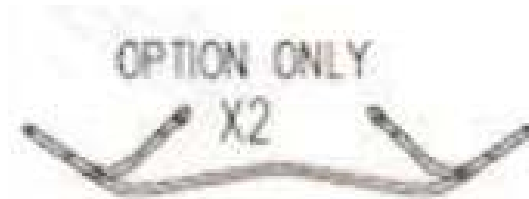
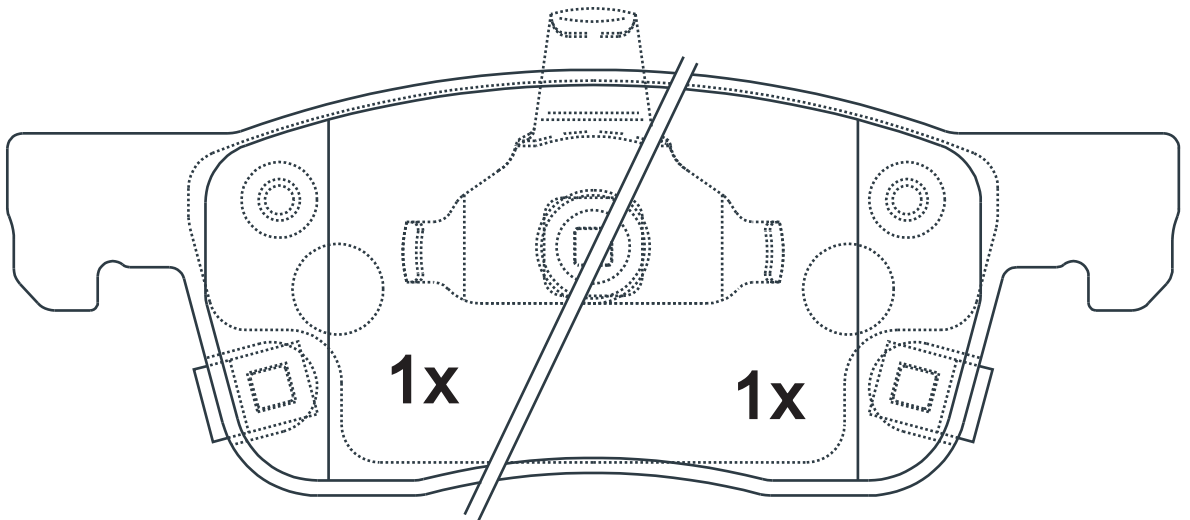


NOTE

2 identical; 2 identical, 1 with acoustic indicator (left), 1 with acoustic indicator (right).



D1940



Apply for:

Buick (Sgm) Excelle

2013/02-

SR0938.01

Dimension
(mm)

Thickness
(mm)

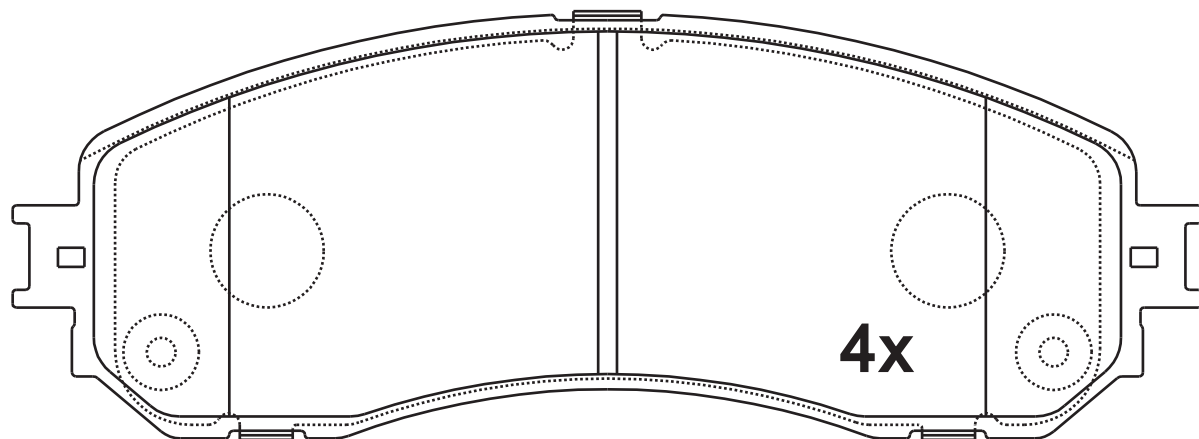


NOTE

4 identical;

157.3×56

16.8



4x

Apply for:

华泰宝力格

版次: A/3

SR0939.01

Dimension
(mm)

116.2×49

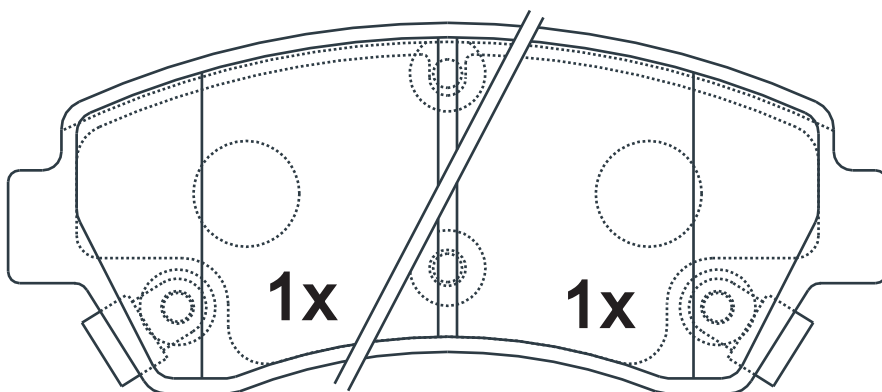
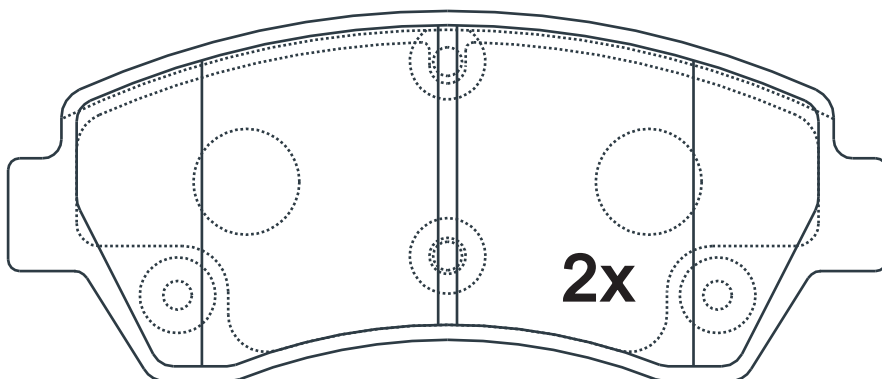
Thickness
(mm)

16.5



NOTE

2 identical; 2 identical, 1 with acoustic indicator (left), 1 with acoustic indicator (right).



Apply for:

长安金牛星

版次: A/3

SR0940.01

Dimension
(mm)

151.1×58
149.9×59.4

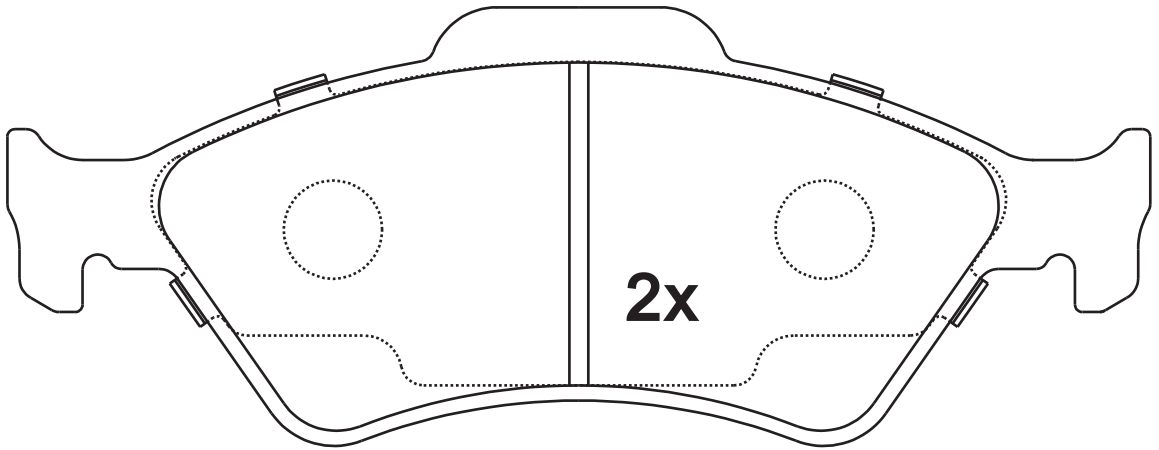
Thickness
(mm)

15.4

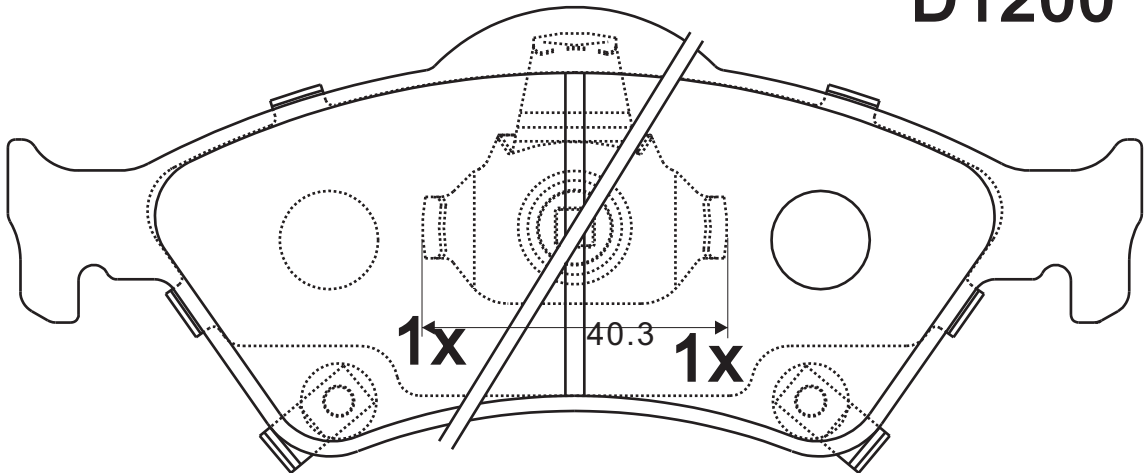


NOTE

2 identical; 2 identical, 1 with acoustic indicator (left), 1 with acoustic indicator (right).



D1200



Apply for:

吉利英伦SC7专用

版次: A/3

SR0941.01

Dimension
(mm)

Thickness
(mm)

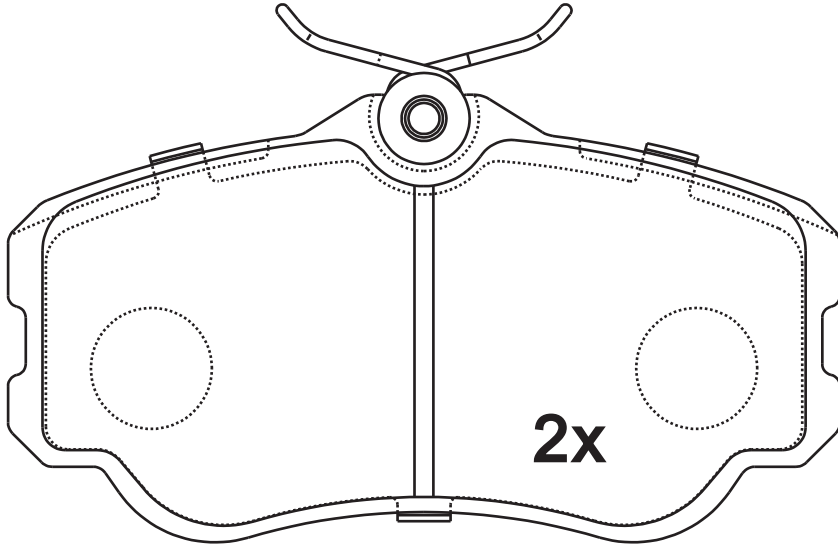


NOTE

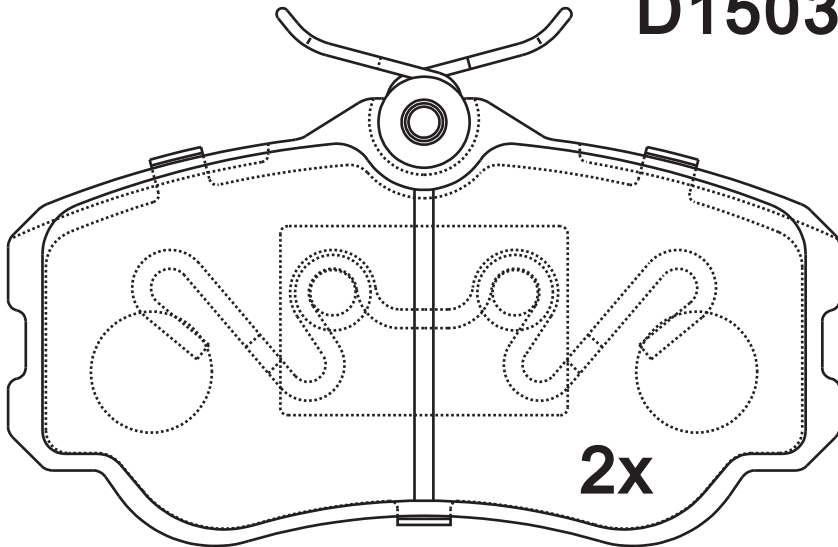
2 identical;2 identical;

110×59.2

17




D1503-8704



Apply for:

大众高尔

SR0942.01	Dimension (mm)	Thickness (mm)		NOTE

SR0943.01

Dimension
(mm)

169.7×58.3

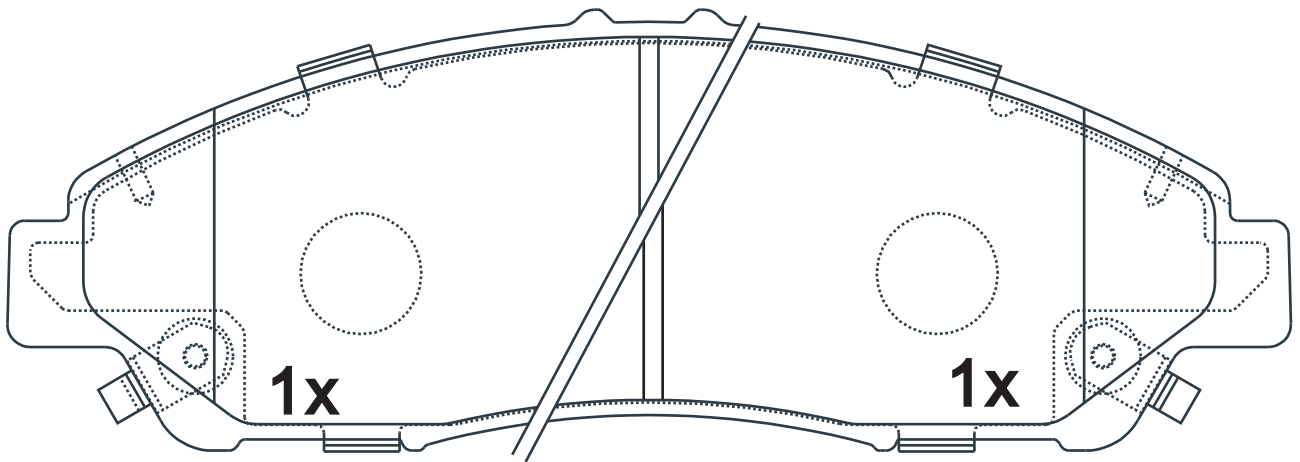
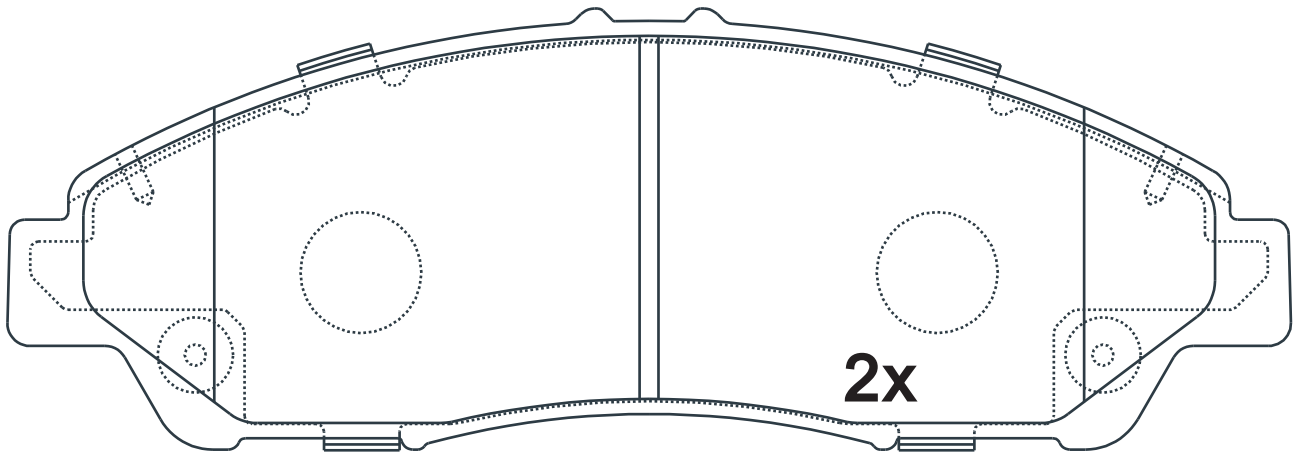
Thickness
(mm)

16.9



NOTE

2 identical; 2 identical, 1 with acoustic indicator (left), 1 with acoustic indicator (right).



D1280-8396

Apply for:

Acura MDX
Acura ZDX

2007-2013
2010-2013

SR0943.02

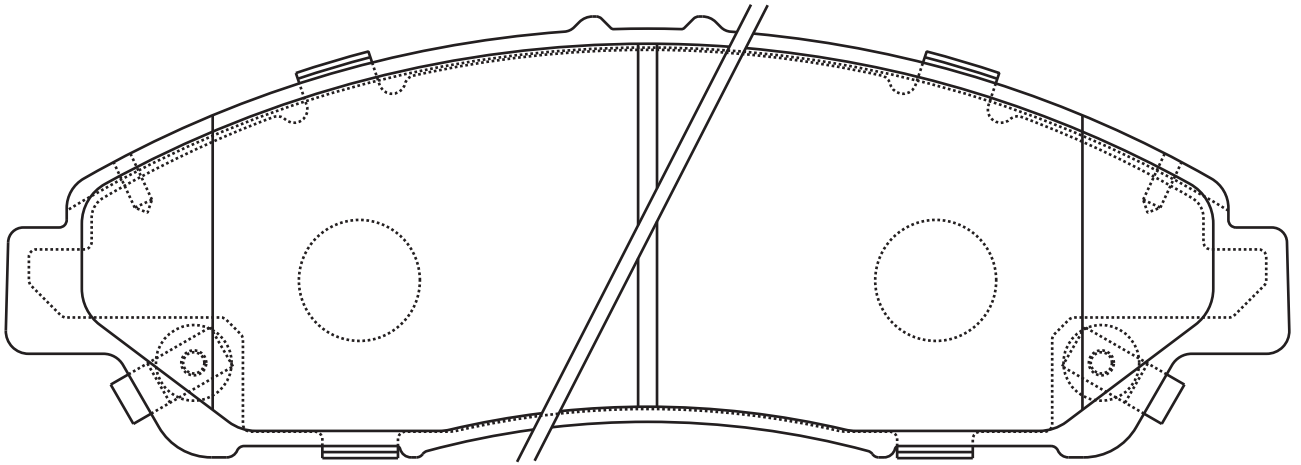
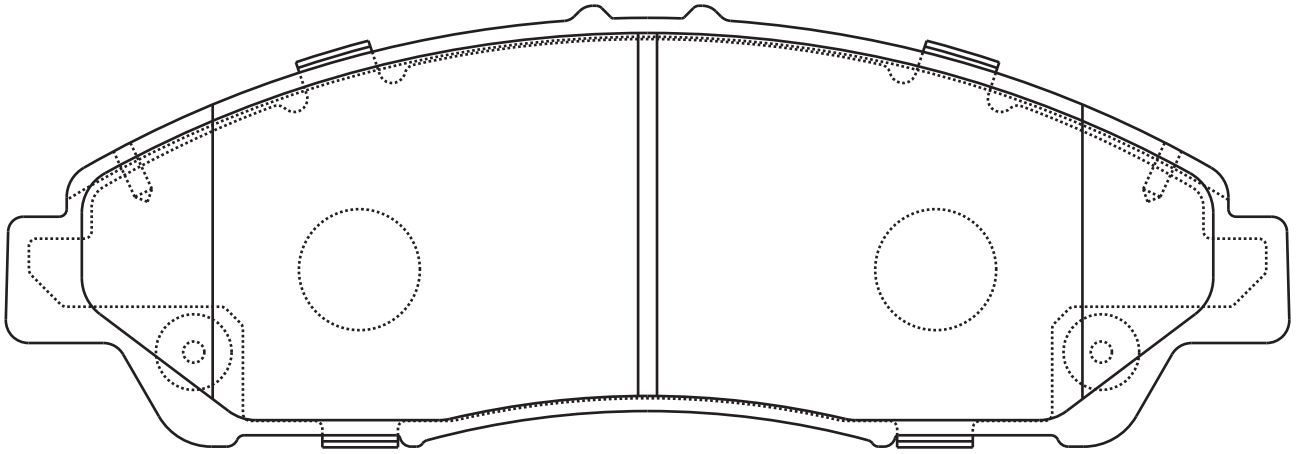
Dimension
(mm)

Thickness
(mm)



NOTE

2 identical; 2 identical, 1 with acoustic indicator (left), 1 with acoustic indicator (right).



D1896

Apply for:

凯迪拉克

SR0944.01

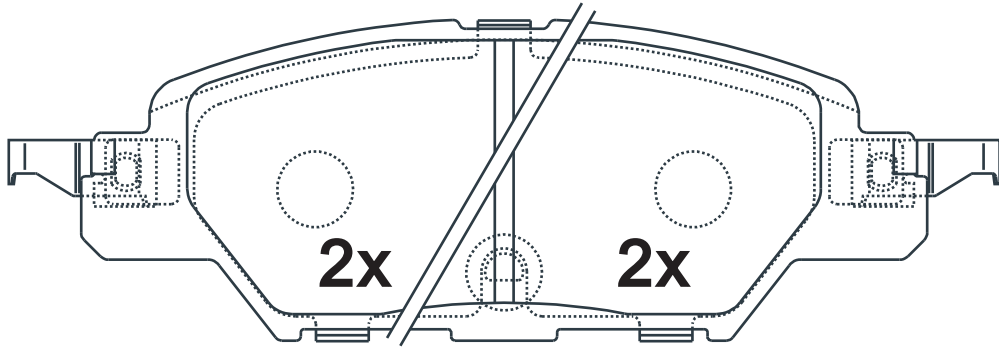
Dimension
(mm)

Thickness
(mm)



NOTE

2 identical with acoustic indicator(left),2 identical with acoustic indicator (right).



22332

22333

Apply for:

马自达CX-5

版次: A/3

SR0945.01

Dimension
(mm)

156.3×68.8
154.8×72.3

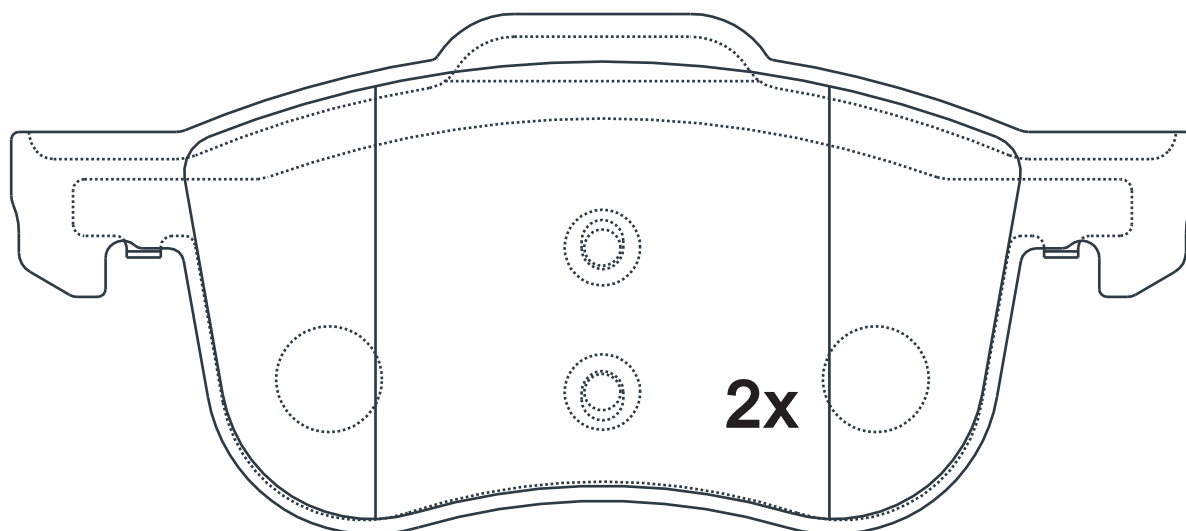
Thickness
(mm)

18.8

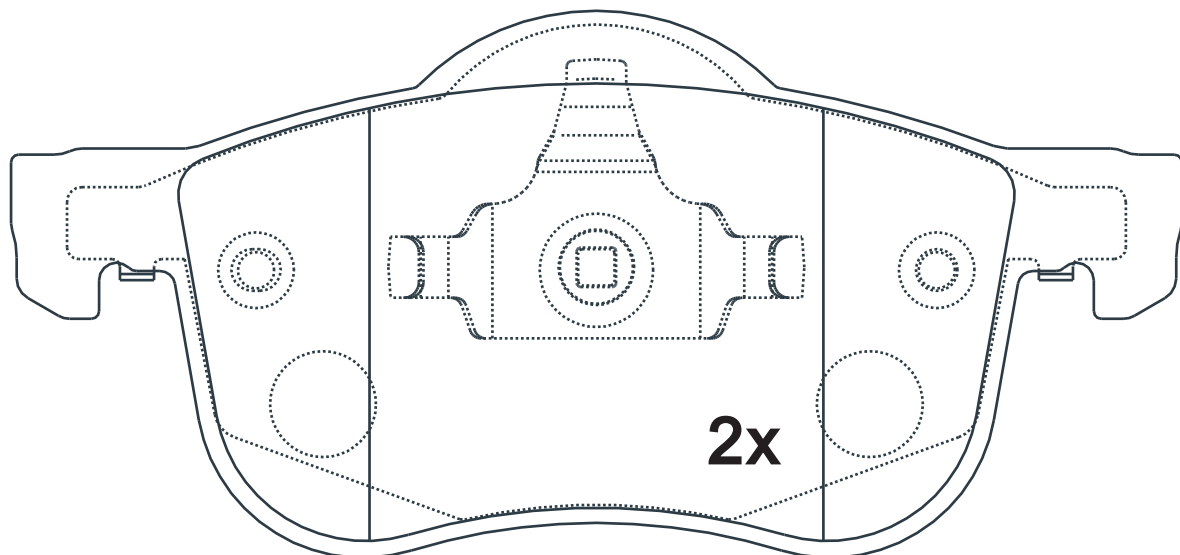


NOTE

2 identical;2 identical;



23073



23074

Apply for:

Volvo S60	2001-2009
Volvo S80	1999-2006
Volvo V70	2001-2007
Volvo XC70	2003-2007

版次: A/3

SR0946.01

Dimension
(mm)

148.6×54.7

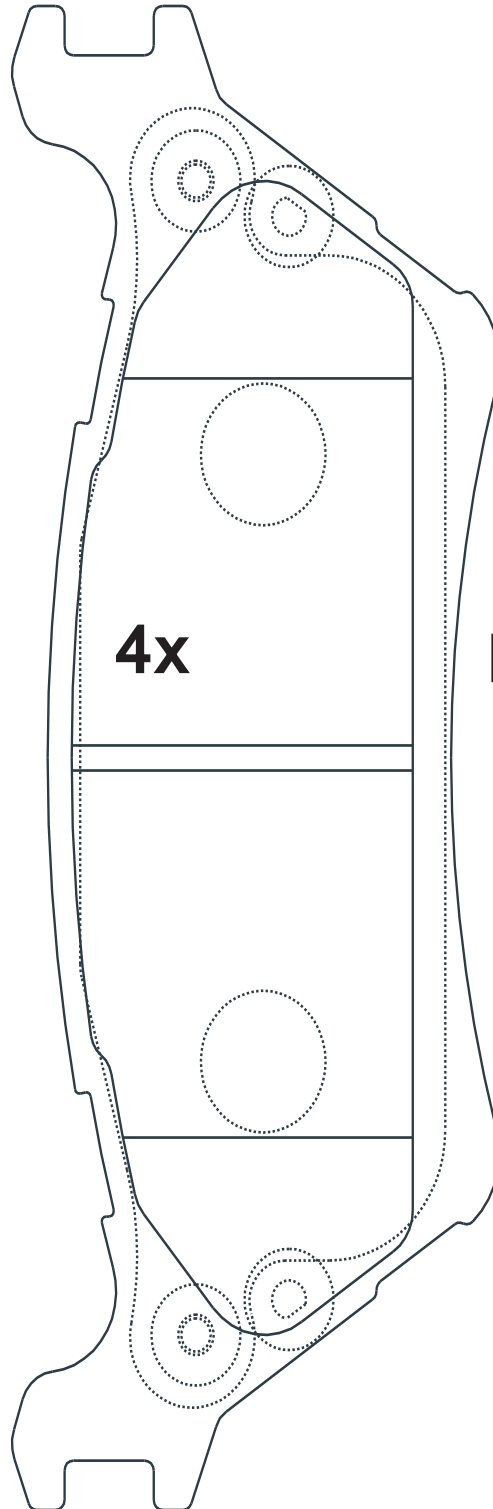
Thickness
(mm)

16.6



NOTE

4 identical;



4x

D1602

Apply for:

Ford Truck F-150

2012-2014

版次: A/3

SR0947.01

Dimension
(mm)

156.7×60.8

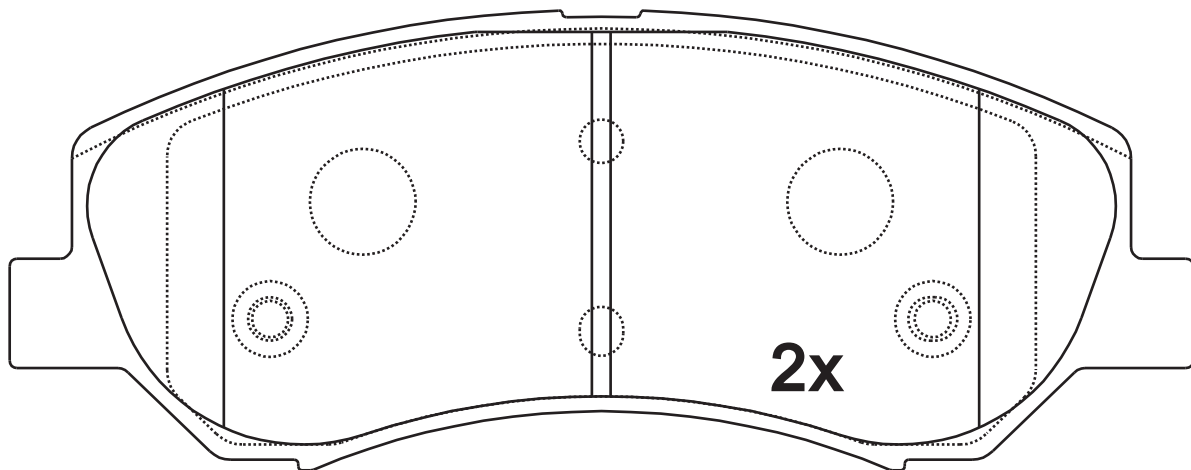
Thickness
(mm)

16.9

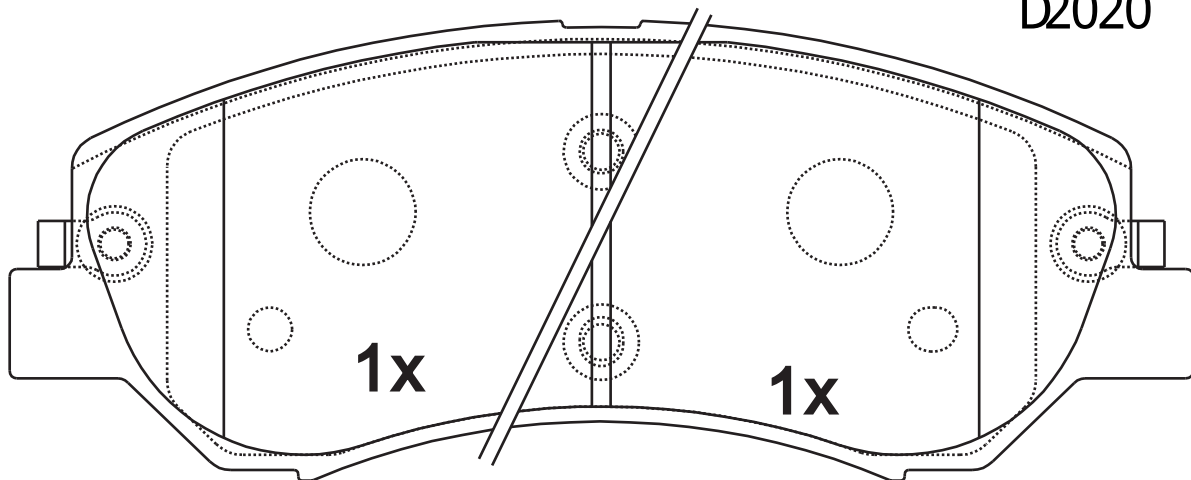


NOTE

2 identical with acoustic indicator(left),2 identical with acoustic indicator (right).

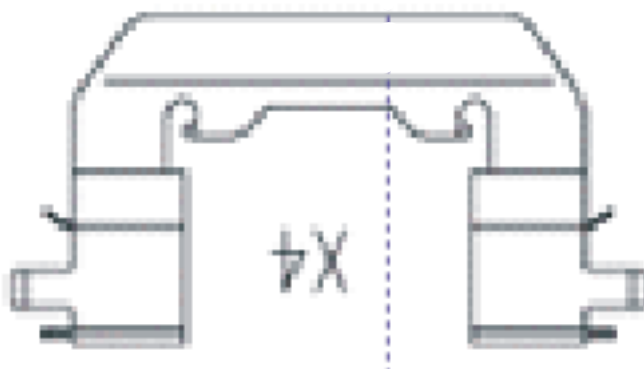


D2020



Apply for:

上汽大通G10



版次: A/3

SR0948.01

Dimension
(mm)

Thickness
(mm)

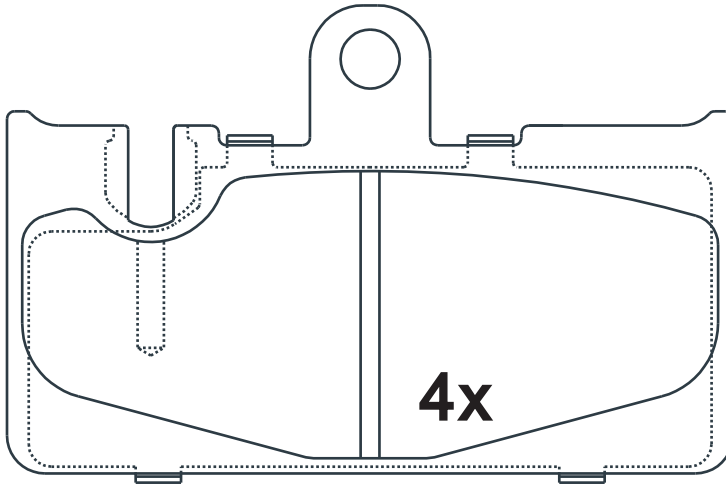


NOTE

4 identical ;

96×61.9

14.8



D871-7746
FDB1689
GDB3323
23804

Apply for:

Lexus Ls (_F2_)
Lexus Ls (_F3_)

1994/10-2000/12
2000/08-2006/08

SR0949.01

Dimension
(mm)

153.8×64.9

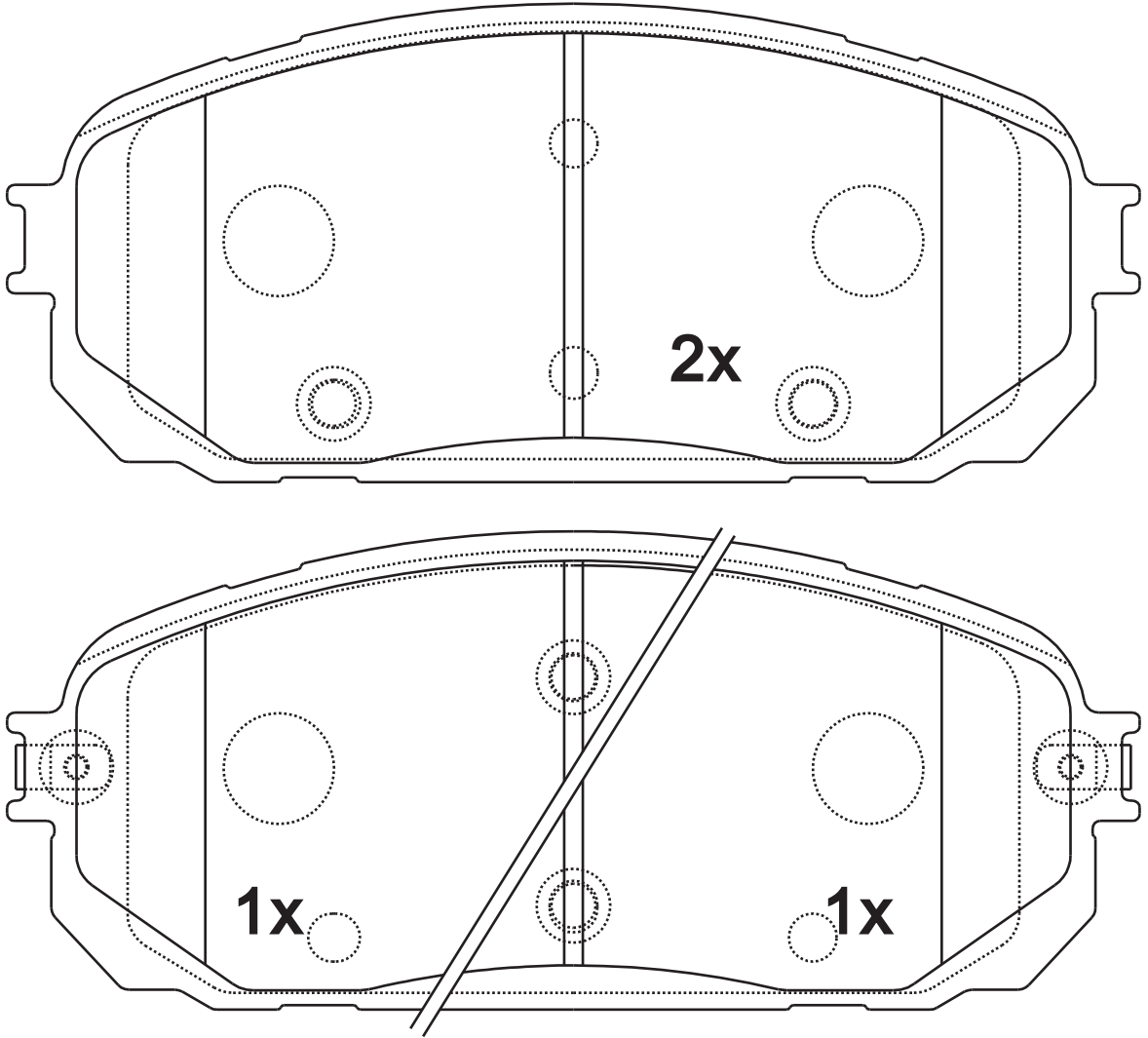
Thickness
(mm)

17



NOTE

2 identical;**2 identical**,1 with acoustic indicator (left),1 with acoustic indicator(right).



Apply for:

起亚威客

版次: A/3

SR0950.01

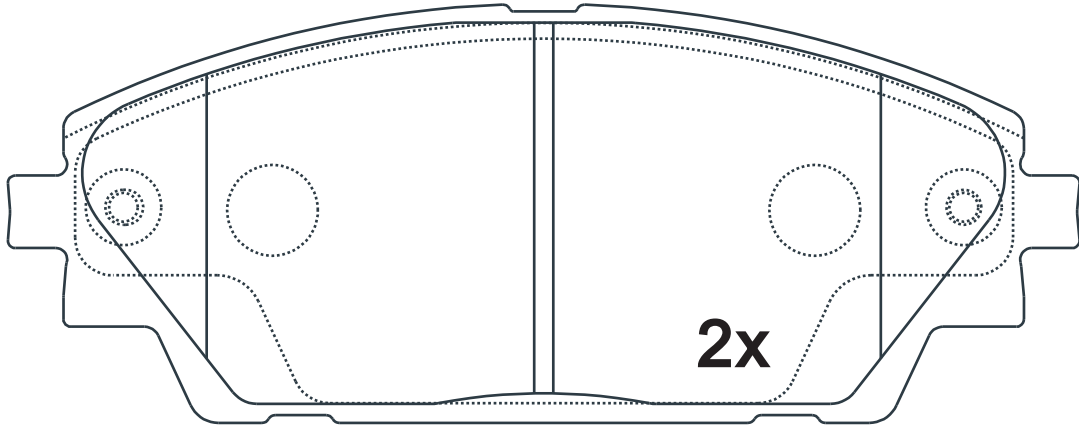
Dimension
(mm)

Thickness
(mm)

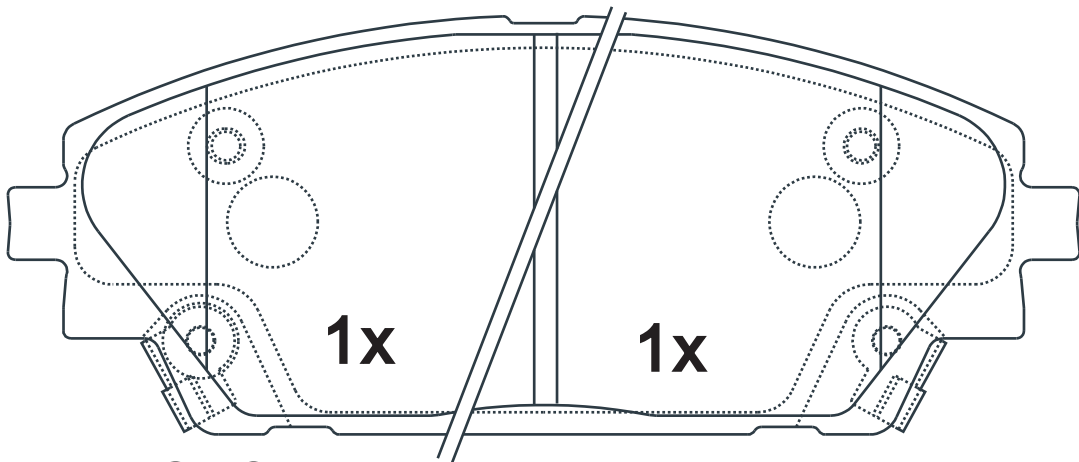


NOTE

2 identical; 2 identical, 1 with acoustic indicator (left), 1 with acoustic indicator (right).



25875



25877

1x

25876

D1728-8952

Apply for:

Mazda 3 2013/09-
Mazda 3 Axela Hatchback (Bm) 2014/05-

SR0951.01

Dimension
(mm)

Thickness
(mm)

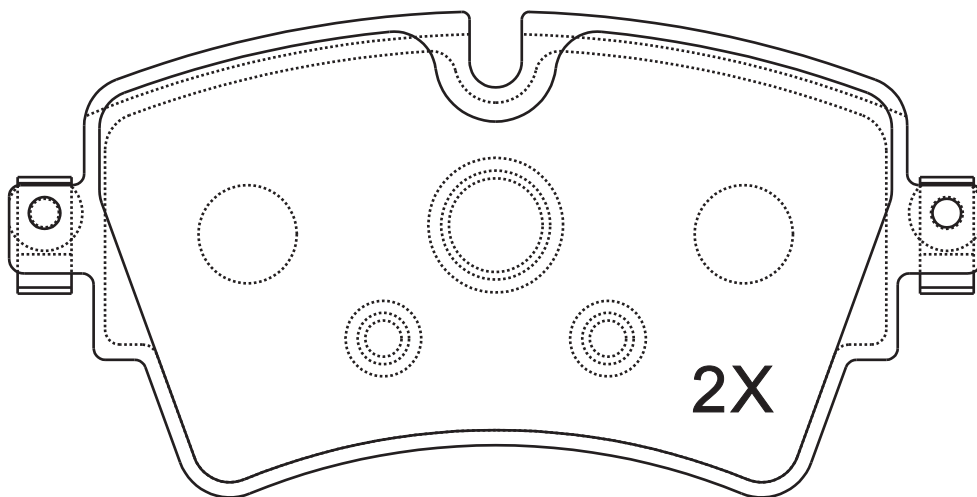


NOTE

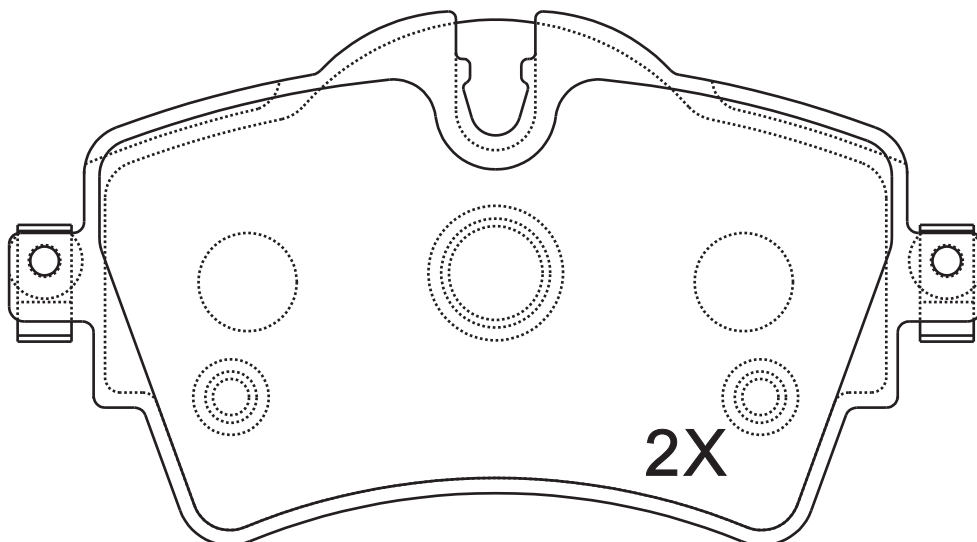
2 identical; 2 identical;

128.7X64.2
128.7X70.6

17.5



22187



22188

Apply for:

- BMW 2 Active Tourer (F45) [2014-]
- BMW 2 Gran Tourer (F46) [2015-]
- BMW 3 (F30, F35, F80) [2011-]

SR0951

**Dimension
(mm)**

**Thickness
(mm)**



NOTE

附件包

Accessory bag



1x

98052000

X0122A 总长475mm
总长250mm

FJB1X0122A

1x

98052700

X0224A 总长430mm
总长235mm

FJB1X0224A

2x

X0224A 总长430mm
总长235mm

FJB2X0224A

SR0952.01

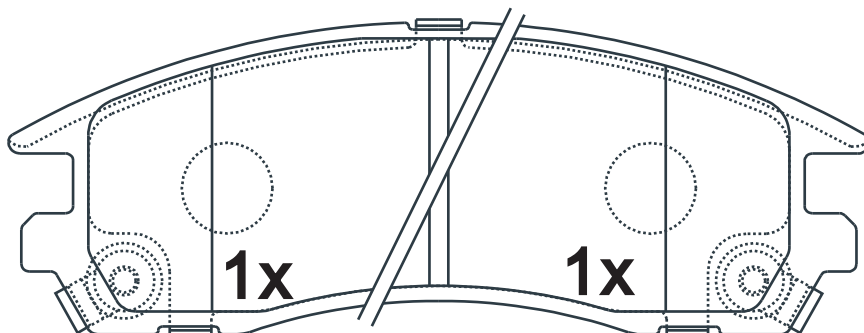
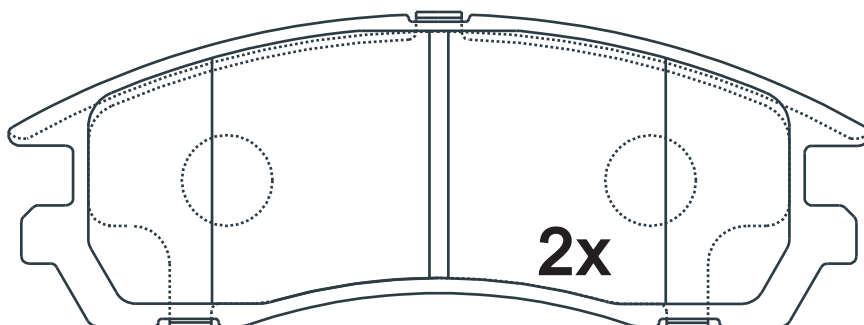
Dimension
(mm)

Thickness
(mm)



NOTE

2 identical; 2 identical, 1 with acoustic indicator (left), 1 with acoustic indicator (right).



Apply for:

奇瑞开瑞优优

版次: A/3

SR0953.01

Dimension
(mm)

Thickness
(mm)

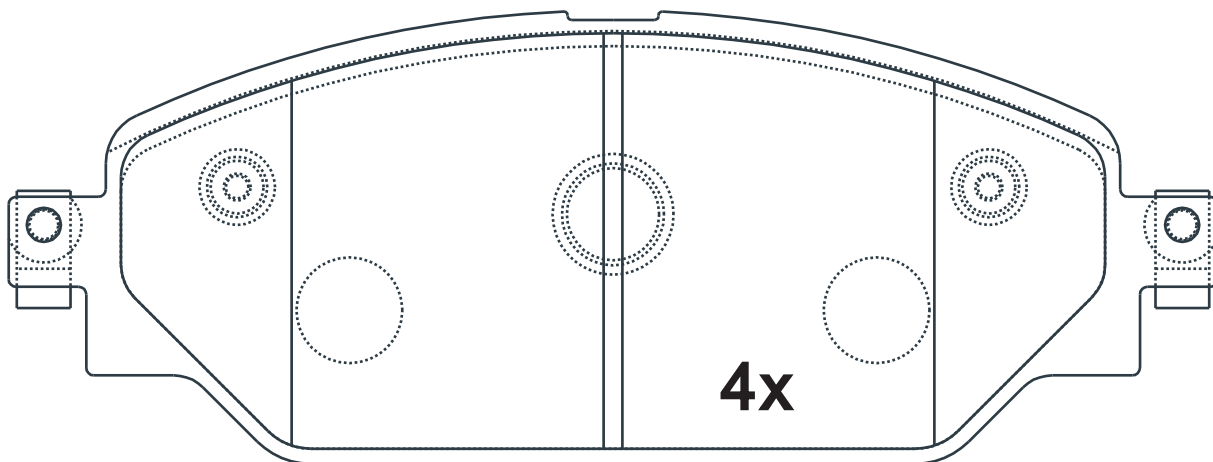


NOTE

4 identical;

159.8×59.8

18



D1884-9112

Apply for:

Qoros 3 Hatchback
Qoros 3 Saloon

2014/06-
2013/11-

SR0954.01

Dimension
(mm)

148.6×61.8

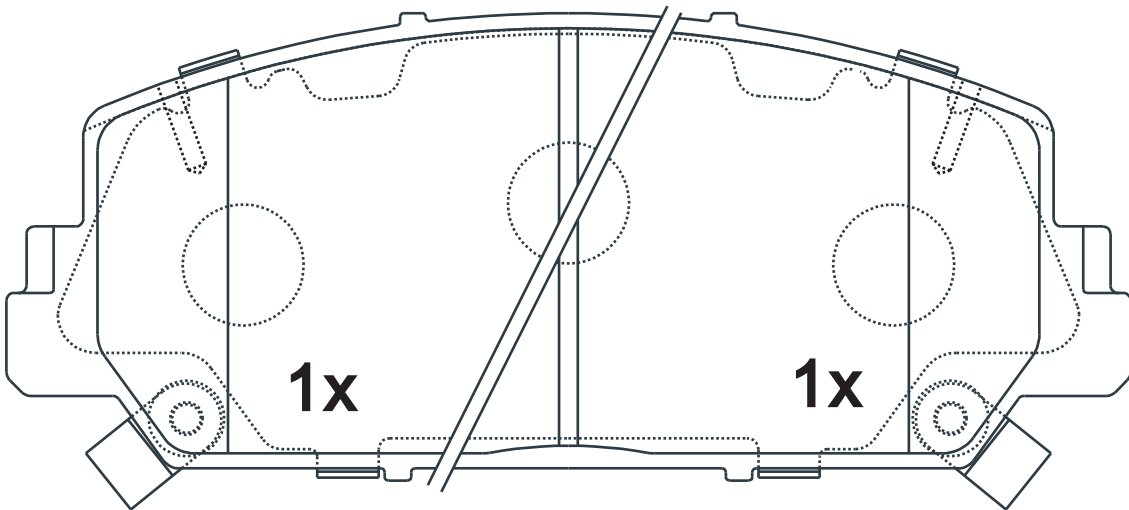
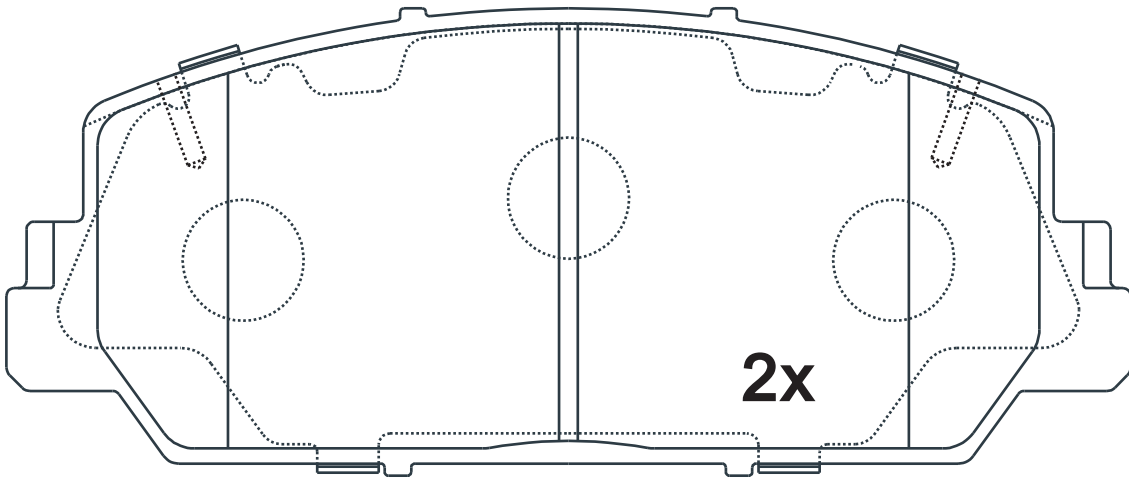
Thickness
(mm)

17.5



NOTE

2 identical; 2 identical, 1 with acoustic indicator (left), 1 with acoustic indicator (right).



D1625-8840

Apply for:

Acura Rdx
Honda (Dongfeng) Spirior

2012/01-
2014/11-

SR0954.02

Dimension
(mm)

Thickness
(mm)

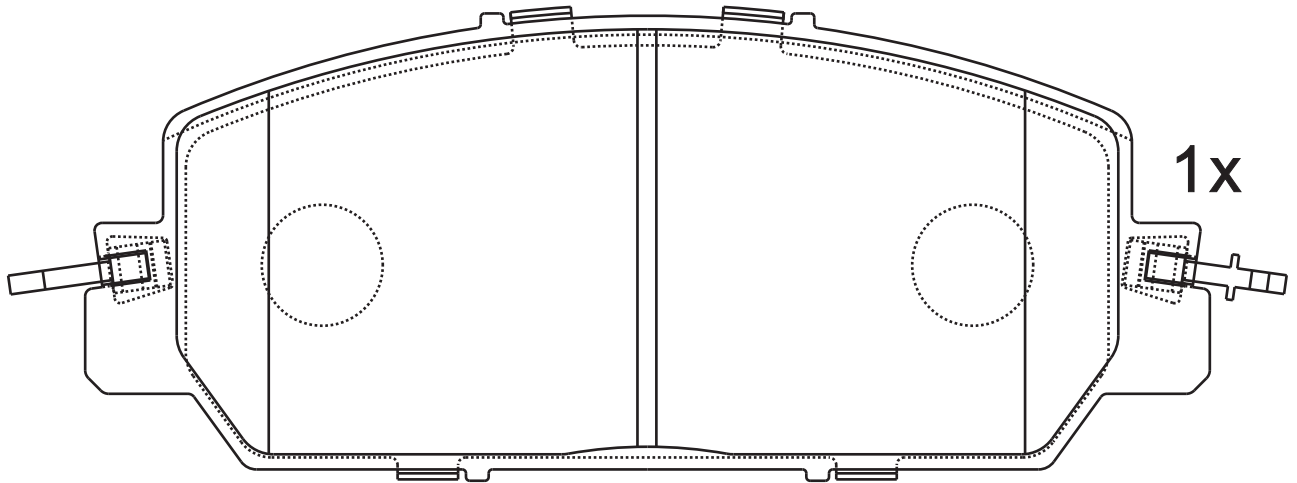
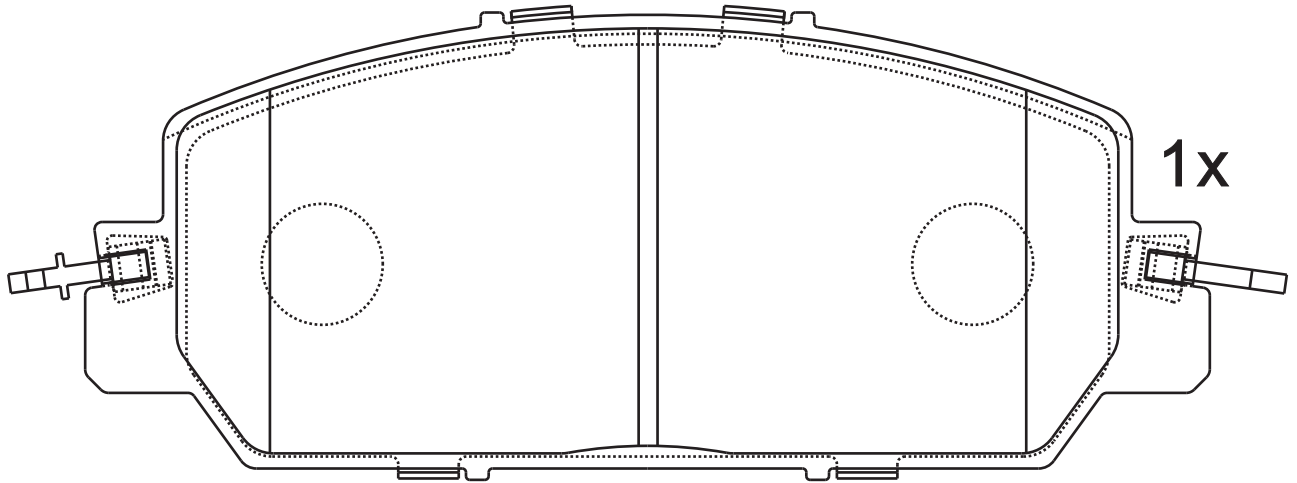


NOTE

4 identical, 1 with acoustic indicator(left), 1 with acoustic indicator(right).

148.7×62.2

16.9



Apply for:

SR0954.02

Dimension
(mm)

148.7×62.2

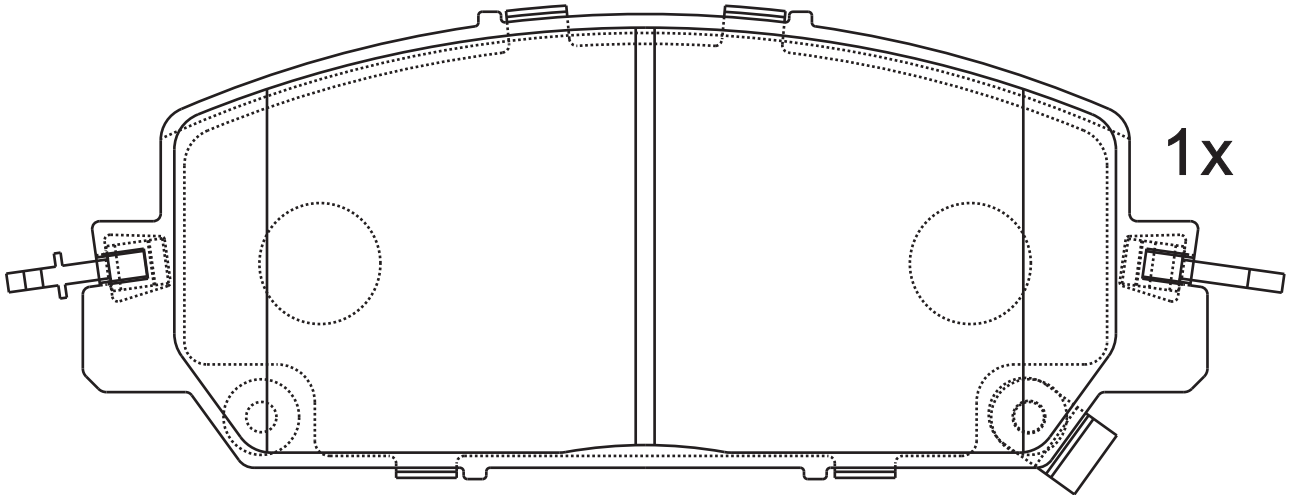
Thickness
(mm)

16.9

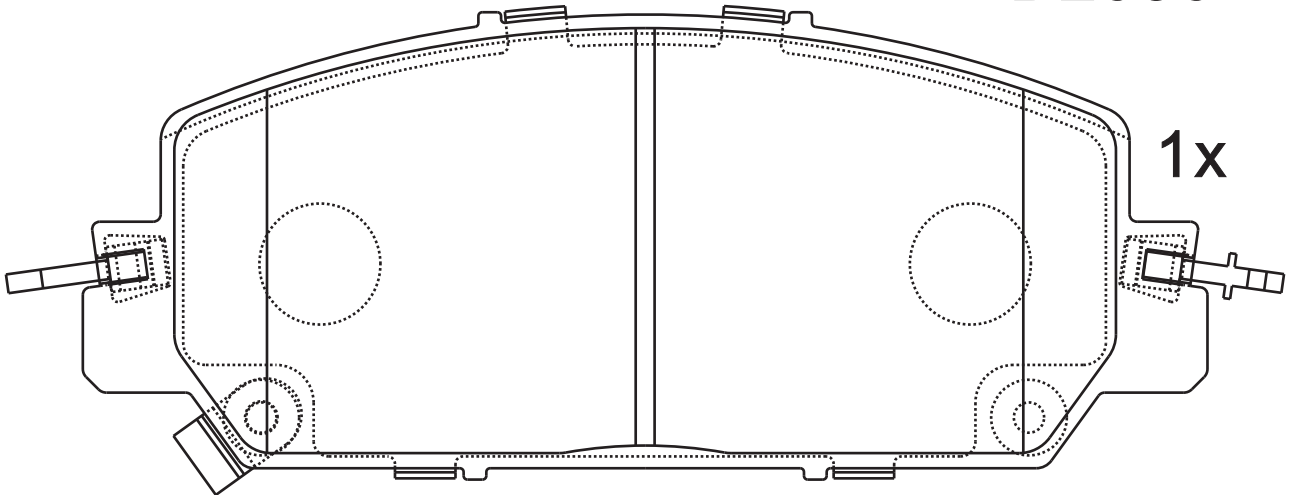


NOTE

4 identical, 1 with acoustic indicator(left), 1 with acoustic indicator(right).



D2036



22797/22798/22799

Apply for:

Acura (Gac) Cdx

2016/07-

Honda (Dongfeng) Cr-V

2017/07-

SR0955.01

Dimension
(mm)

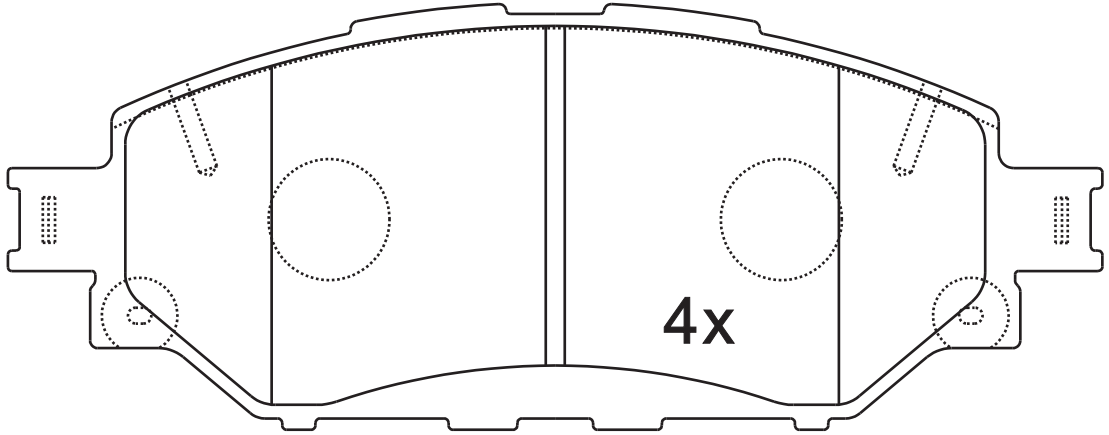
Thickness
(mm)



NOTE

144.7X56.3

16.5



FDB4936



4x

Apply for:

TOYOTA Hilux VIII

01/16-

SR0956.01

Dimension
(mm)

Thickness
(mm)

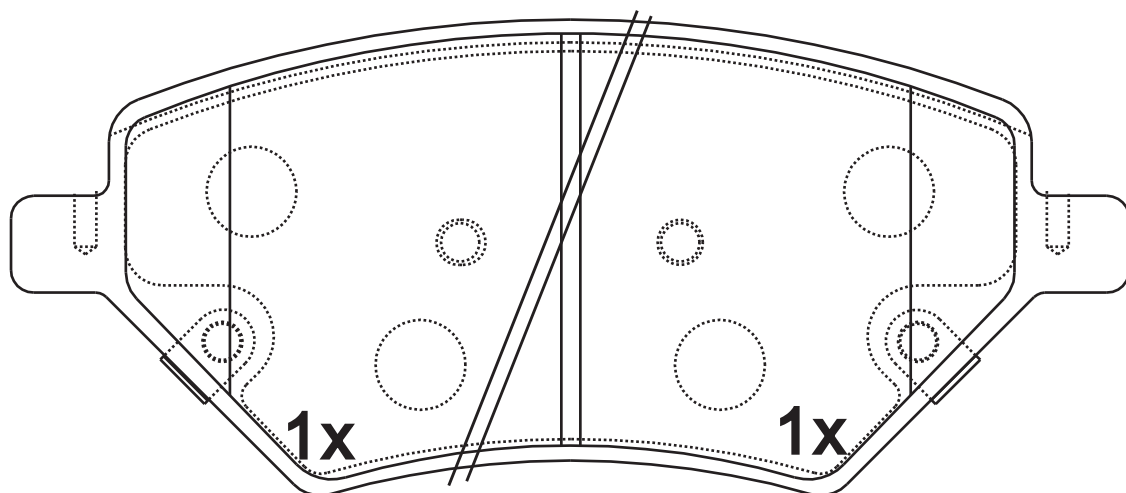
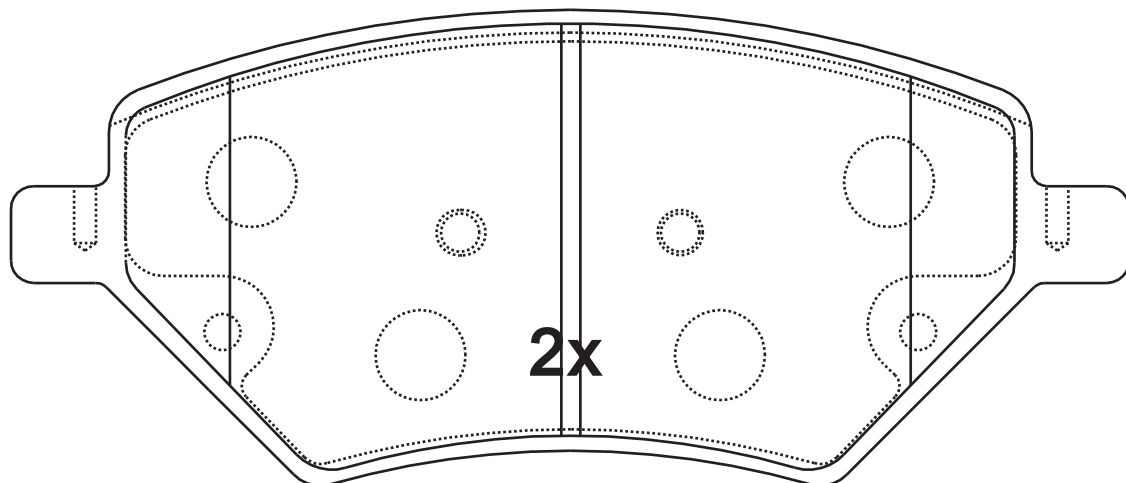


NOTE

2 identical;2 identical;

147.9×62.9

16.2



GDB7850

Apply for:

奇瑞旗云5

SR0957.01

Dimension
(mm)

131.4×59.7

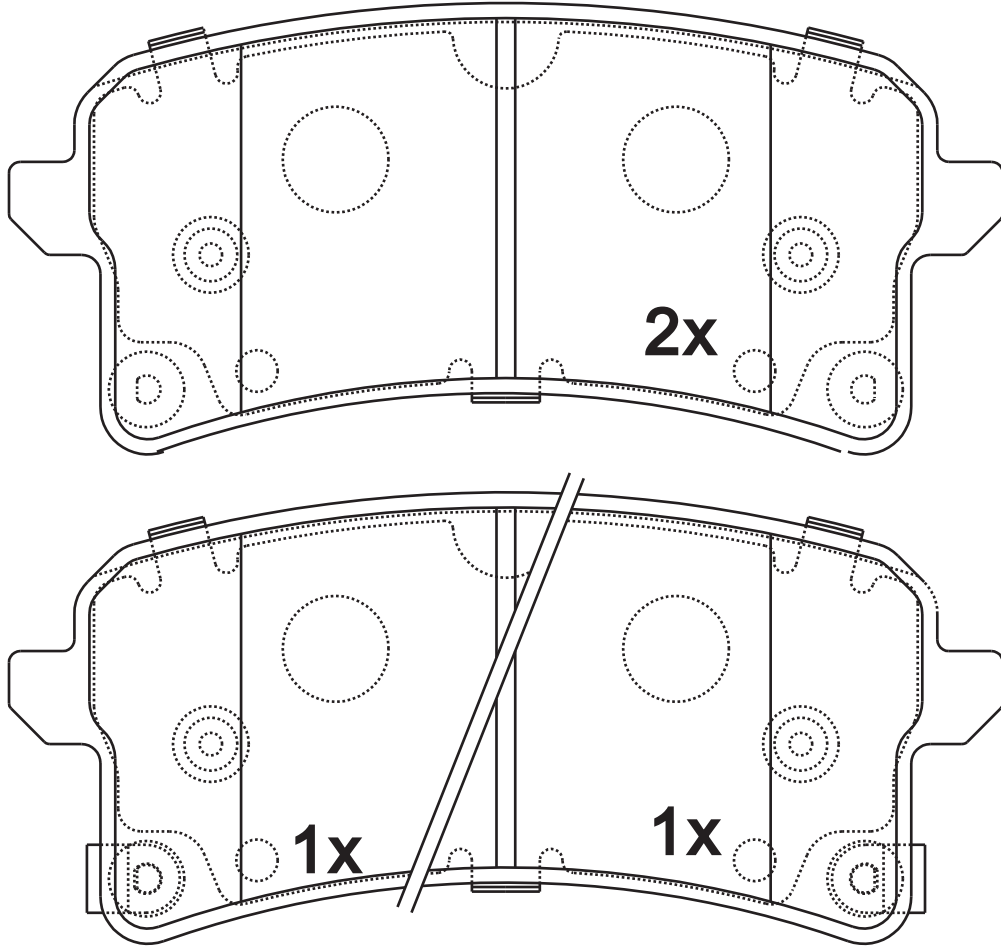
Thickness
(mm)

17.4



NOTE

**2 identical; 2 identical,
1 with acoustic indicator
(right), 1 with acoustic
indicator(left).**



GDB7951

Apply for:

Haval H9

2014/11-

SR0958.01

Dimension
(mm)

122.3×59.2

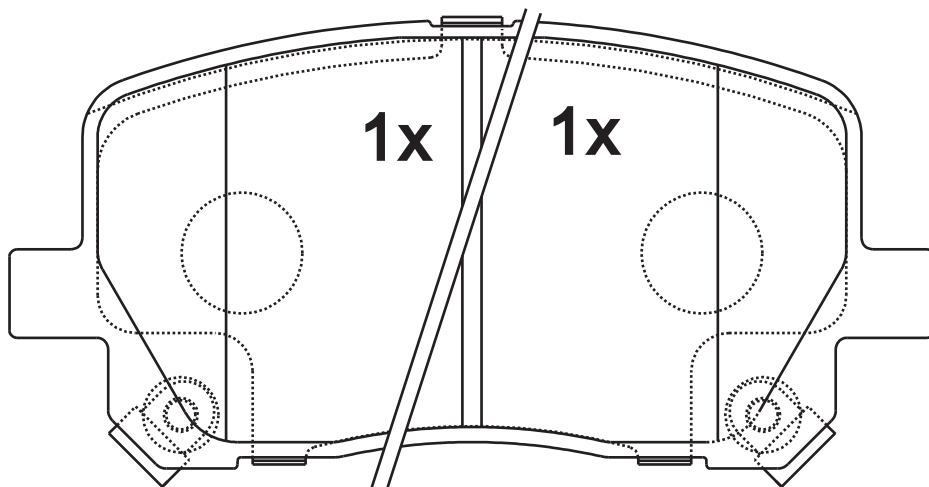
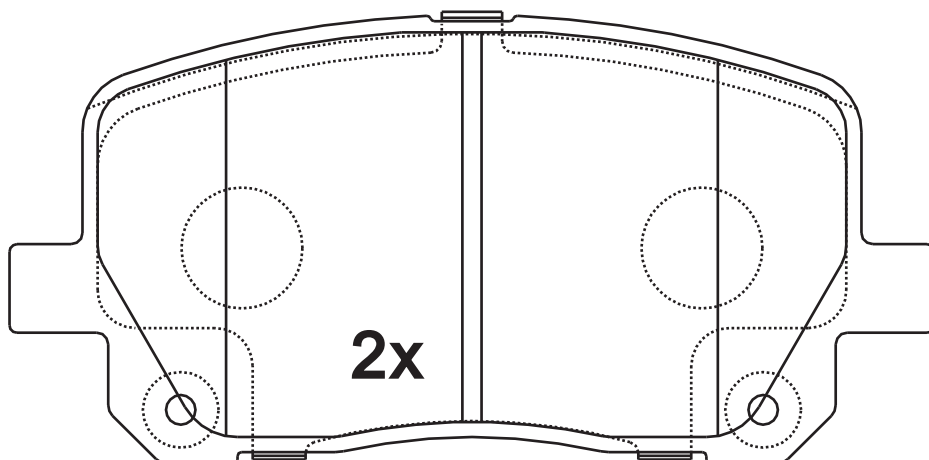
Thickness
(mm)

16.8



NOTE


4 identical, 1 with
acoustic indicator(left),
1 with acoustic indicator
(right).



Apply for:

长城V80

版次: A/3

SR0959.01	Dimension (mm)	Thickness (mm)		NOTE

SR0960.01

Dimension
(mm)

Thickness
(mm)



NOTE

SR0961.01

Dimension
(mm)

Thickness
(mm)

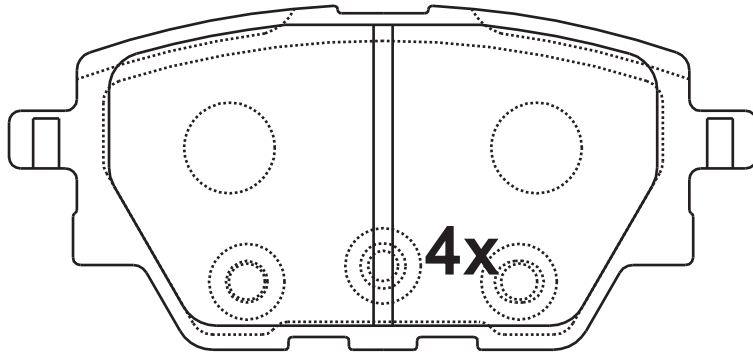


NOTE

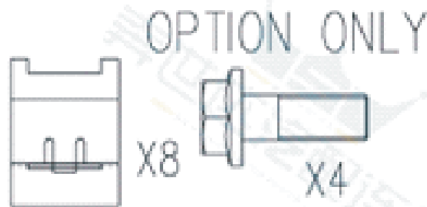
4 identical;

98.9×45.5

16.5



8x



Apply for:

东风风神L60 、 2015-

SR0962.01

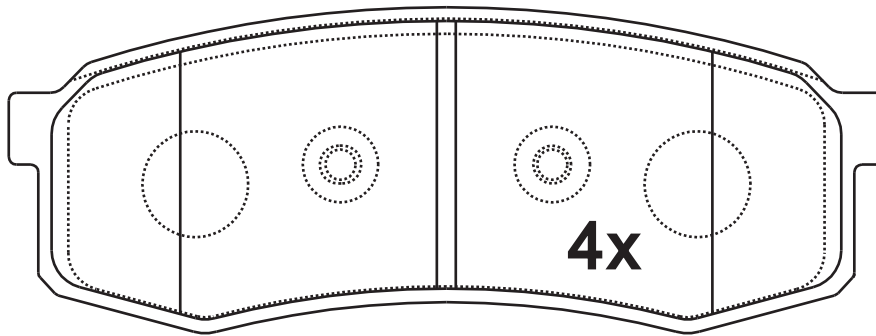
Dimension
(mm)

Thickness
(mm)



NOTE

4 identical;





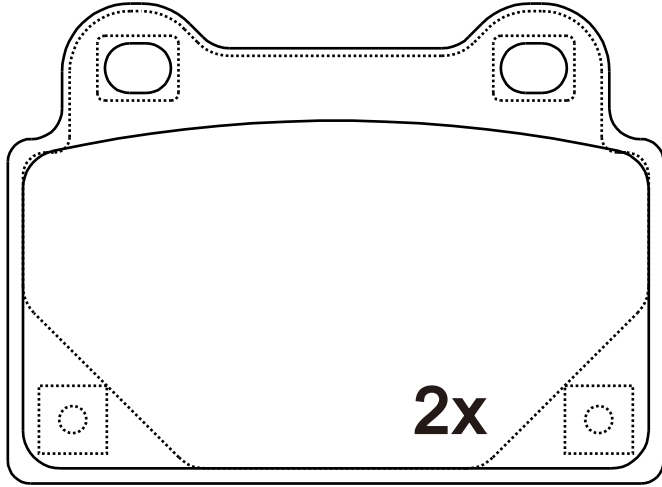
Apply for:

大通V80

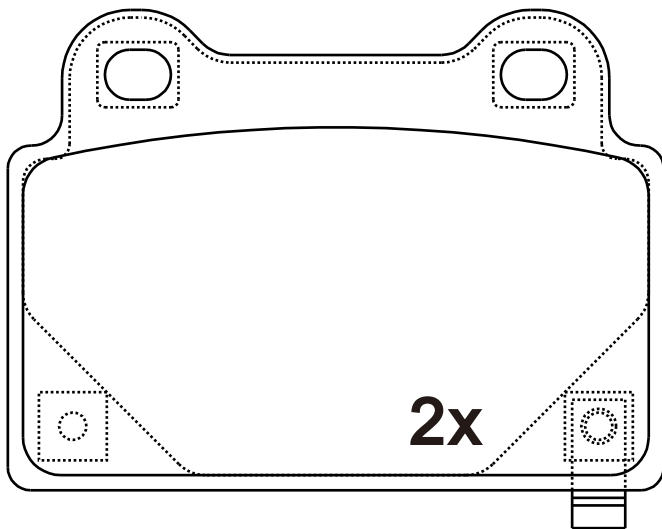
版次: A/3

SR0963.01

Dimension (mm)	Thickness (mm)		NOTE
86.4X63.6	14.3		



24827



24849

Apply for:

Mitsubishi Lancer Viii

2007/03-

SR0964.01

Dimension
(mm)

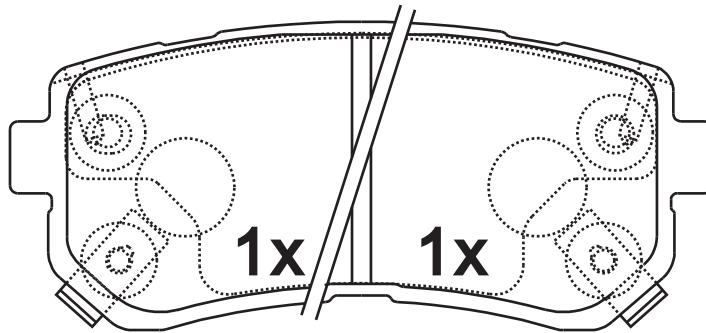
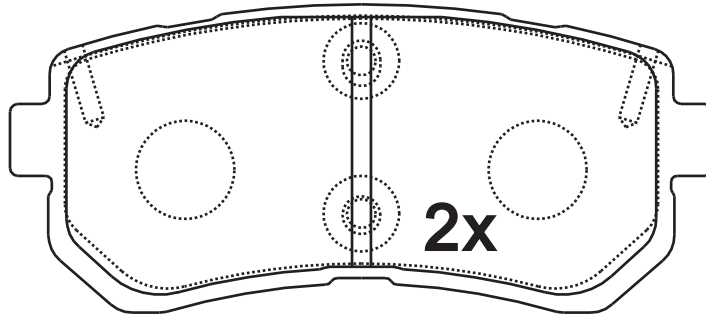
Thickness
(mm)



NOTE

92.9×40.8

15.5



D1398 D1804 D1829

Apply for:

Changan (Chana) Eado Hatchback
Hyundai Elantra Saloon (Hd)
Hyundai (Beijing) Elantra / Langdong
Jac Refine S5 Closed Off-Road Vehicle

2013/08-
2005/11-
2012/01-
2013/03-

SR0965.01

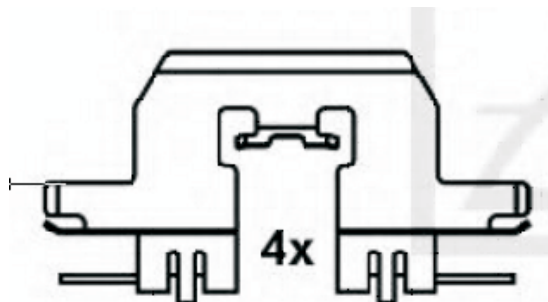
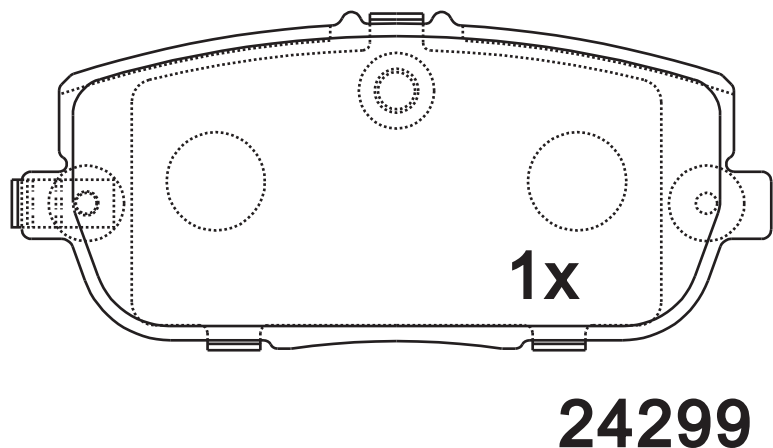
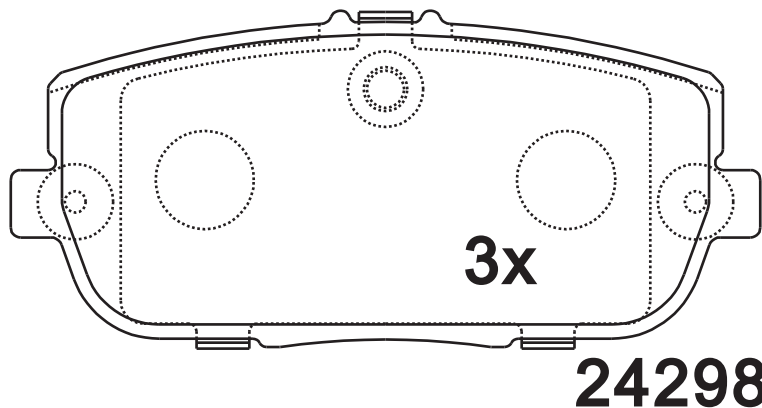
Dimension
(mm)

Thickness
(mm)



NOTE

3 identical, 1 identical, 1 with acoustic indicator (left).



Apply for:

Mazda MX-5 Miata

2006-2014

SR0966.01

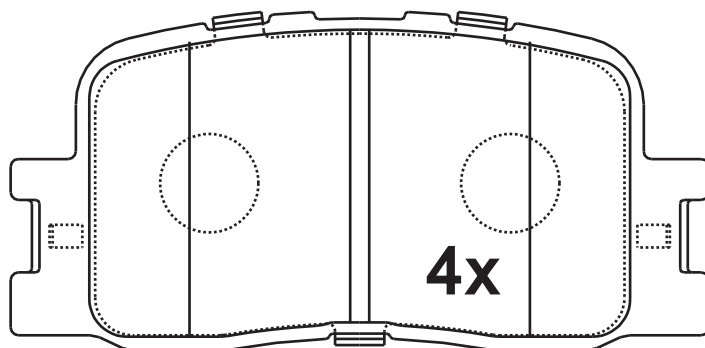
Dimension
(mm)

Thickness
(mm)



NOTE

4 identical;



Apply for:

奇瑞艾瑞泽M7 、2015-

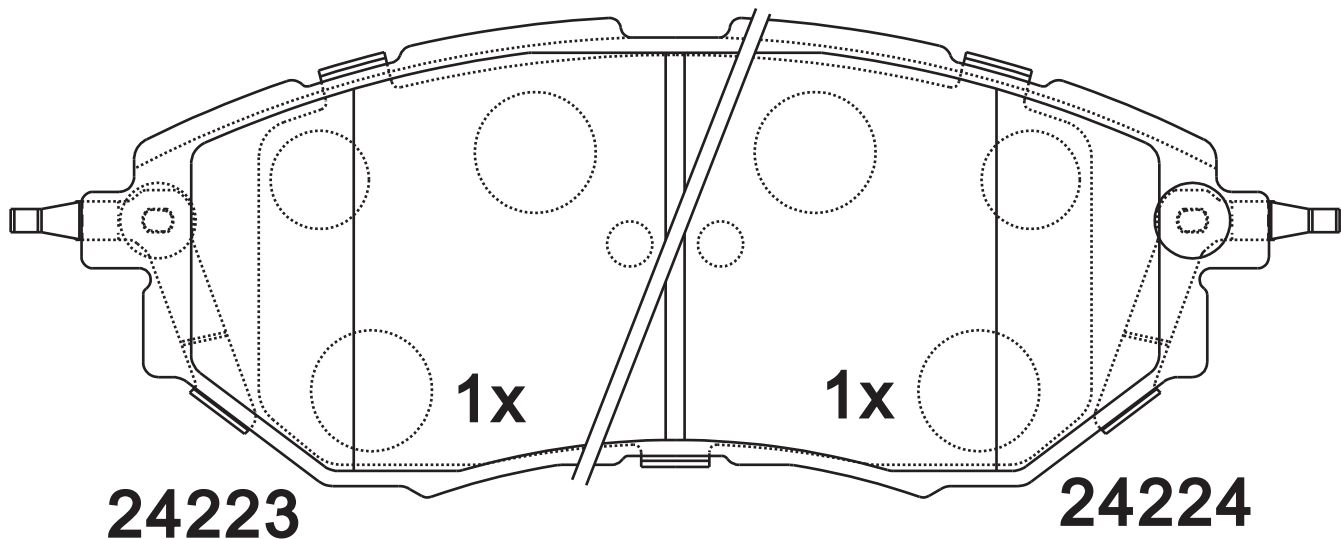
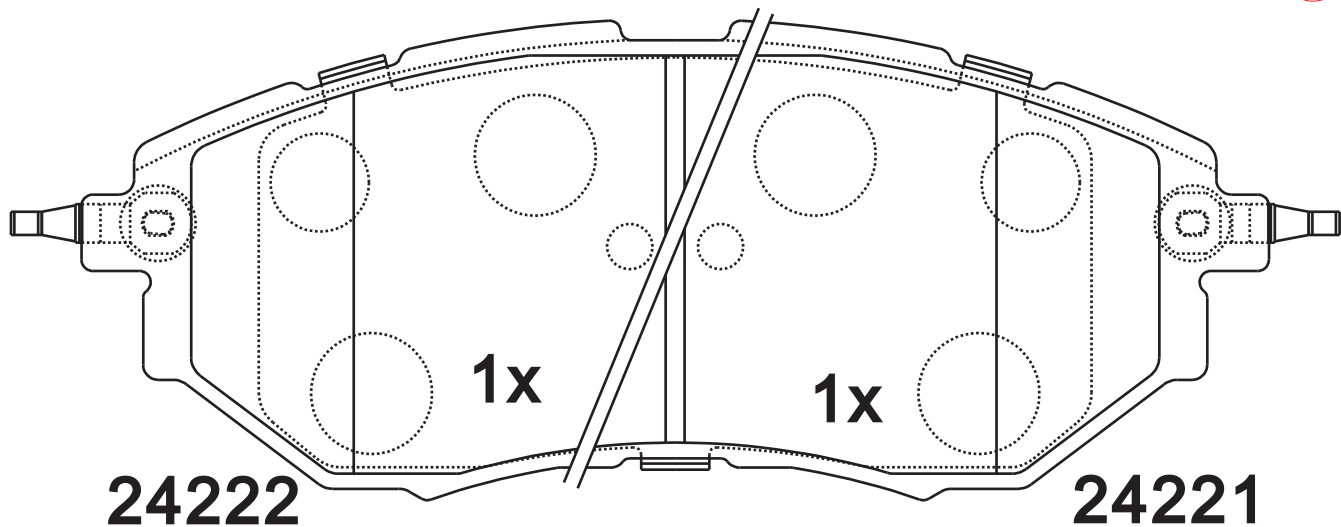
版次: A/3

SR0967.01

Dimension (mm)	Thickness (mm)	
157×63.4	17.5	

NOTE

**1 identical;1 identical;
1 identical;1 identical;**



Apply for:

- | | |
|-----------------------|-----------|
| Subaru B9 Tribeca | 2006-2007 |
| Subaru Forester 2.0XT | 2014 |
| Subaru Legacy 2.5GT | 2010-2012 |
| Subaru Legacy | 2005 |
| Subaru Legacy 3.0R | 2008-2009 |
| Subaru Legacy 3.6R | 2010-2014 |
| Subaru Legacy GT | 2006-2009 |
| Subaru Outback 3.6R | 2010-2014 |
| Subaru Tribeca | 2008-2014 |
| Subaru WRX | 2015- |

SR0967

**Dimension
(mm)**

**Thickness
(mm)**



NOTE

**附件包
Accessory bag**



DX0068 2x

DX0069 2x

FJB0967.01

SR0968.01

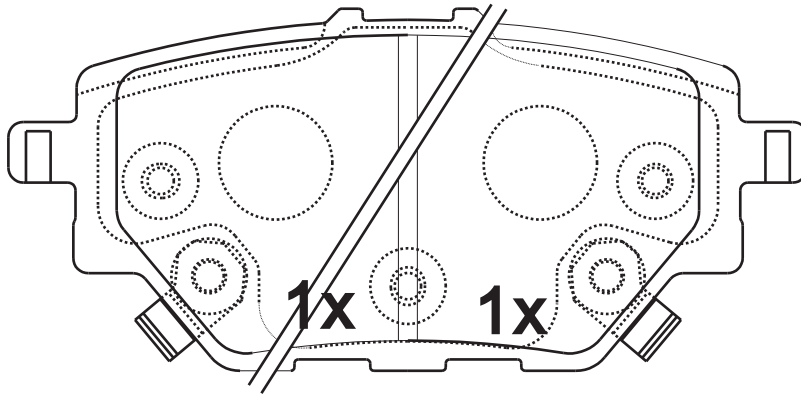
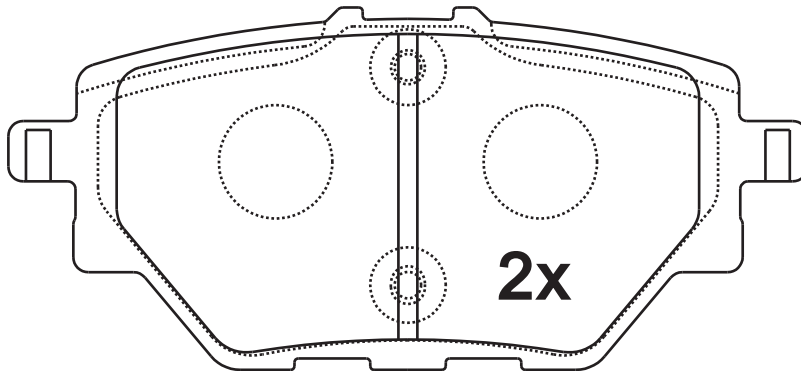
Dimension
(mm)

Thickness
(mm)

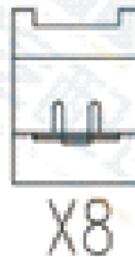
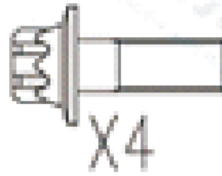


NOTE

2 identical; 2 identical, 1 with acoustic indicator (left), 1 with acoustic indicator (right).



8x



Apply for:

Haima Family Mpv

2016/09-

Mg Mg Gs

2016/09-

Mg (Saic) Gs

2015/03-

Roewe (Saic) Rx5 / Erx5 / Erx5

2016/04-

SR0969.01

Dimension
(mm)

172.3×72.7

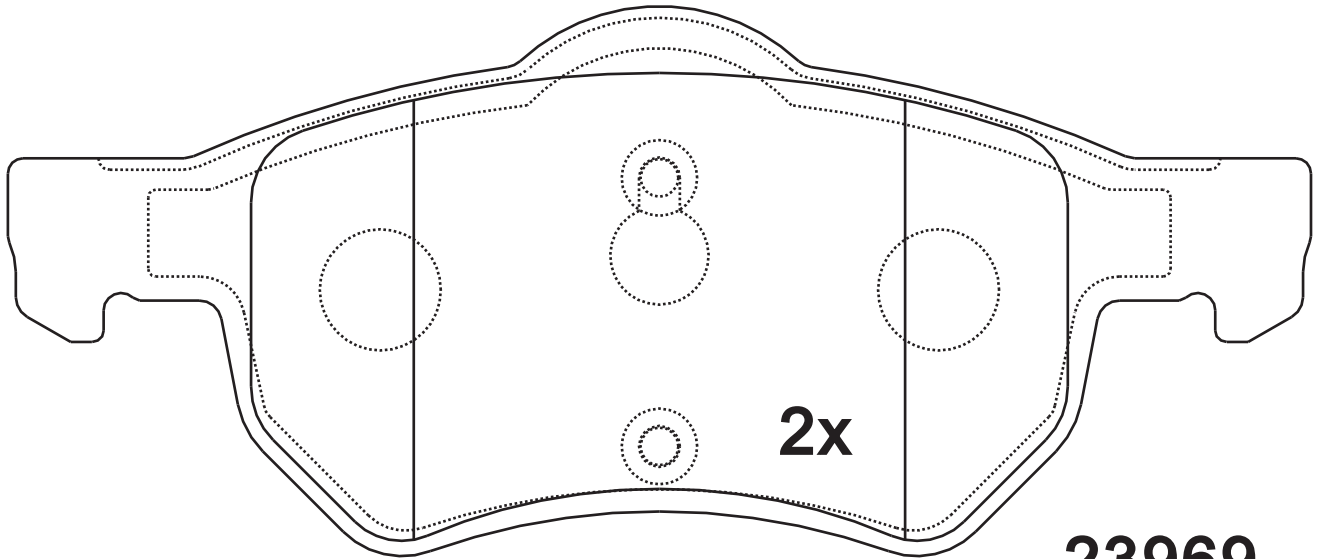
Thickness
(mm)

18.6

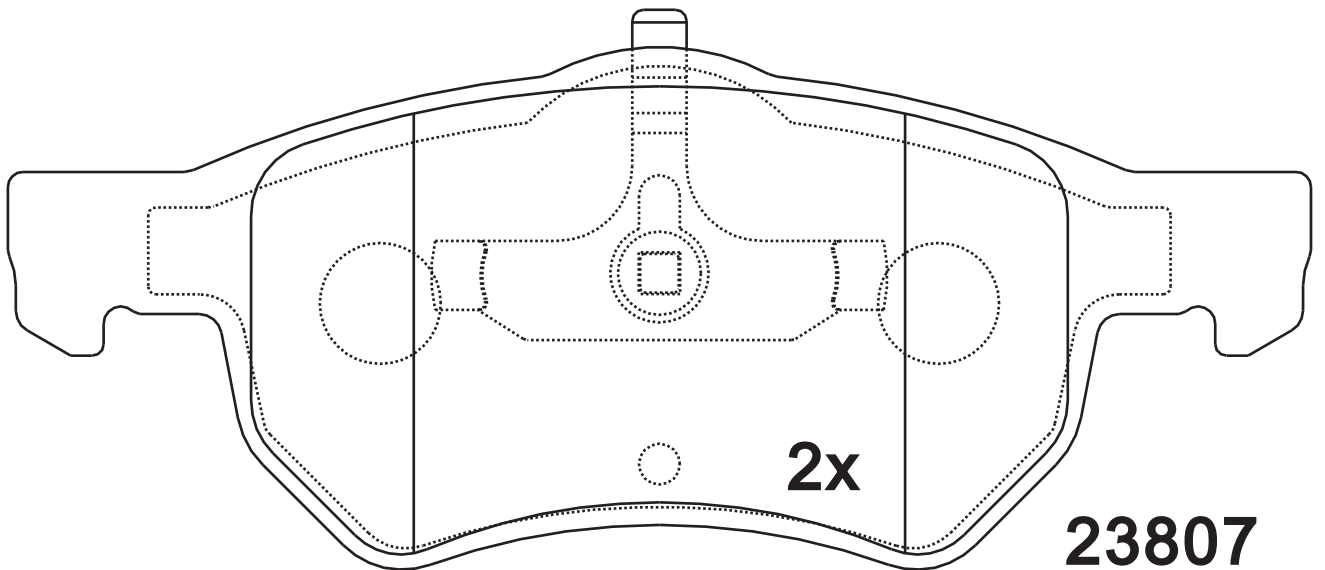


NOTE

2 identical;2 identical;



23969



23807

Apply for:

Chrysler Voyager European Models

2000-2004

SR0969

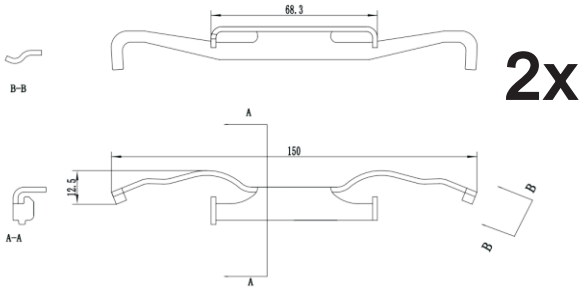
**Dimension
(mm)**

**Thickness
(mm)**



NOTE

**附件包
Accessory bag**



T0077
FJB0969.01

SR0970.01

Dimension
(mm)

Thickness
(mm)

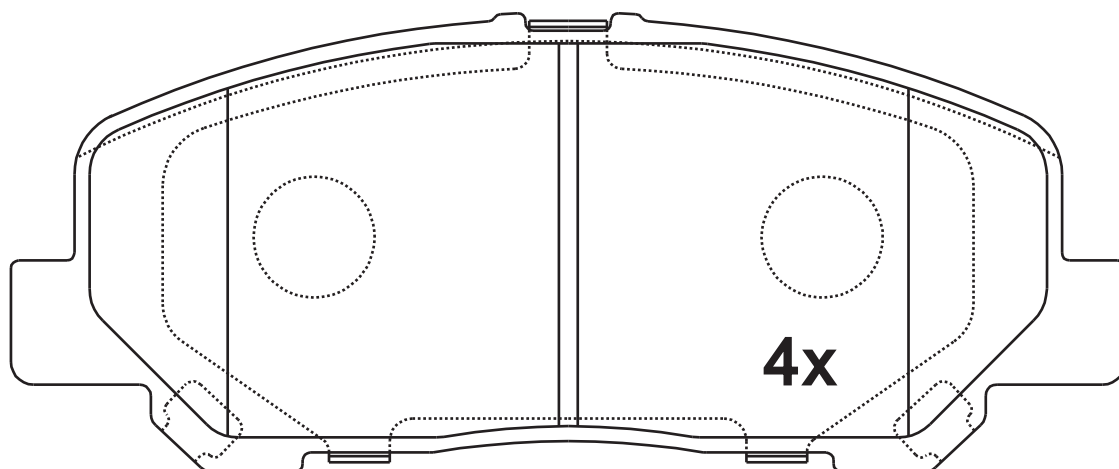


NOTE

4 identical;

147.4×60.6

18



GDB3455
D1524

Apply for:

丰田普瑞维亚

SR0971.01

Dimension
(mm)

140.4×59.6

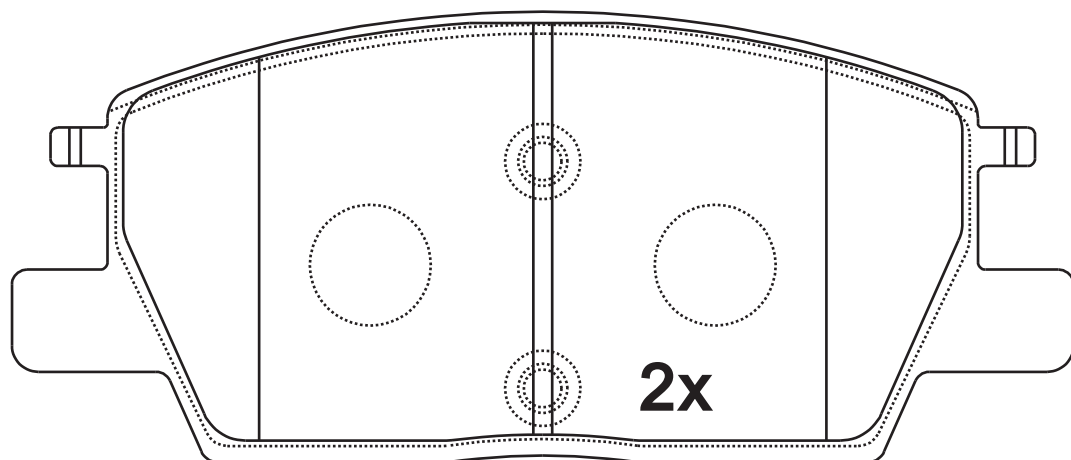
Thickness
(mm)

18

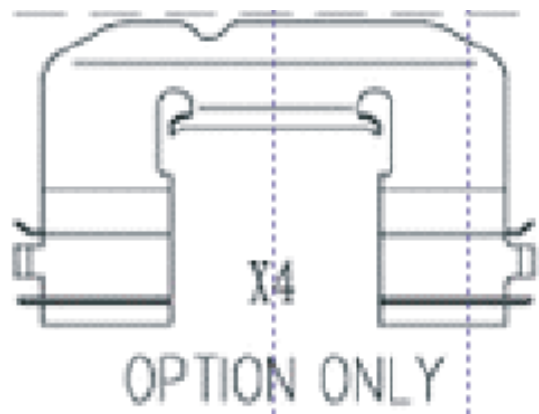
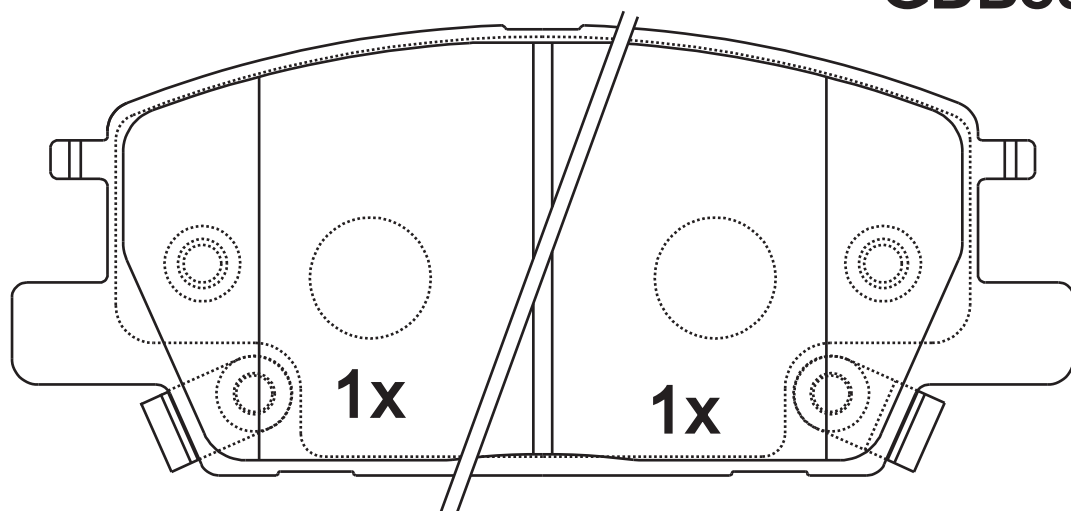


NOTE

2 identical; 2 identical, 1 with acoustic indicator (left), 1 with acoustic indicator (right).



GDB8022



Apply for:

雪佛兰迈锐宝XL、2016-

版次: A/3

SR0971

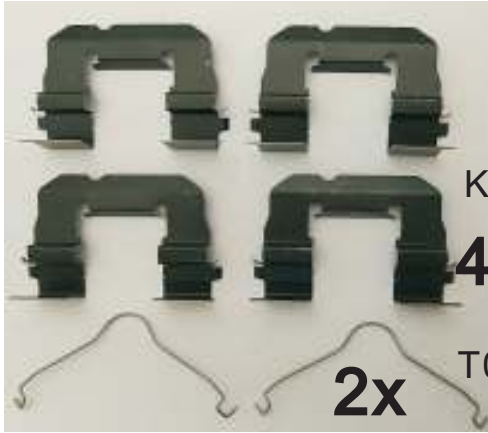
**Dimension
(mm)**

**Thickness
(mm)**



NOTE

**附件包
Accessory bag**



K0497

4x

T0054

2x

FJB0971.01

SR0972.01

Dimension
(mm)

154.9×69.5
156.2×70.5

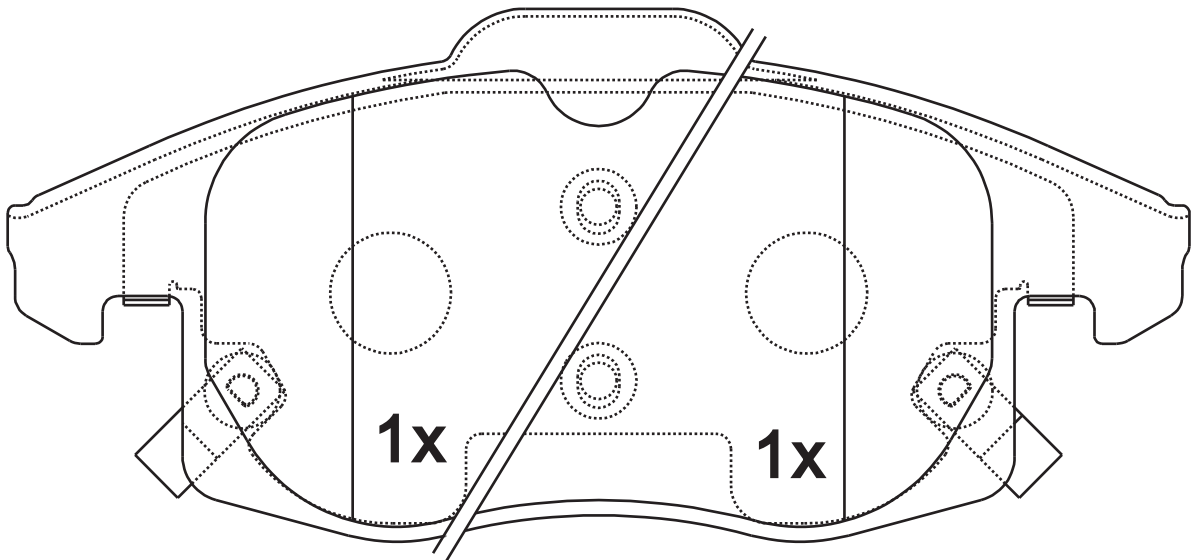
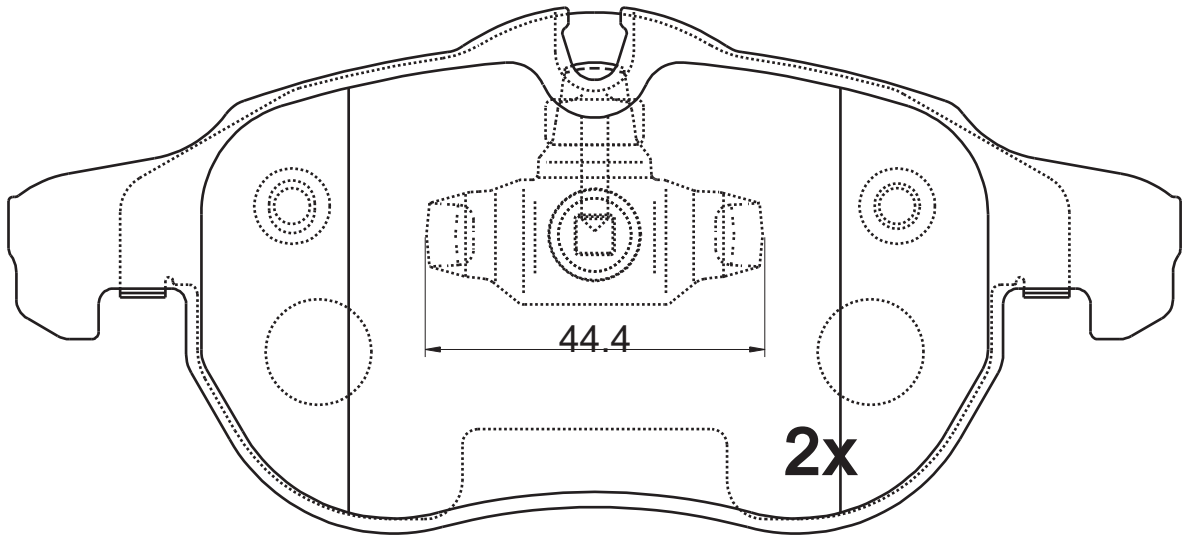
Thickness
(mm)

19.7



NOTE

2 identical; 2 identical, 1 with acoustic indicator (left), 1 with acoustic indicator (right).



Apply for:

绅宝D60 、 2014-

版次: A/3

SR0973.01

Dimension
(mm)

175.9×57

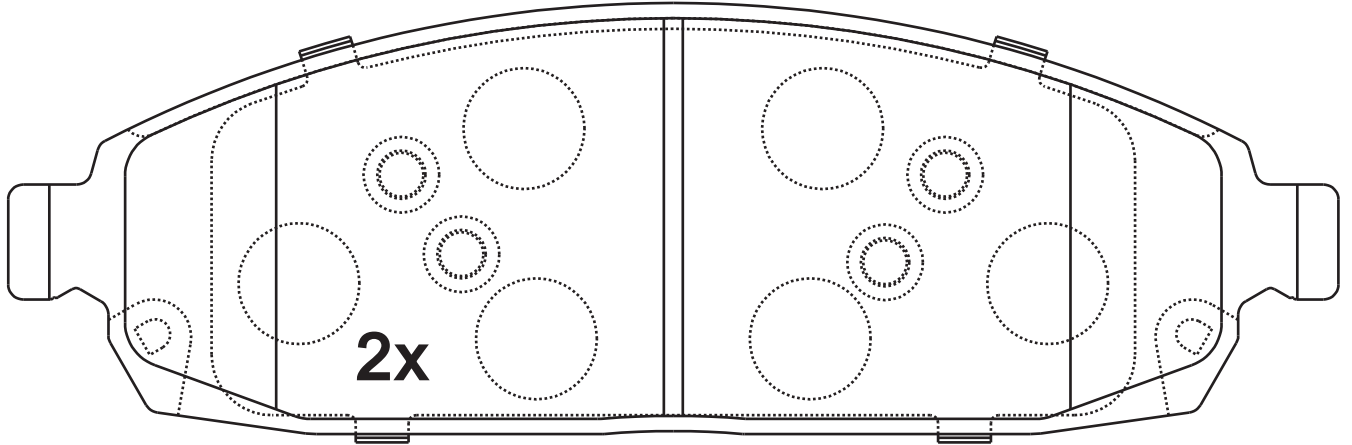
Thickness
(mm)

18.8

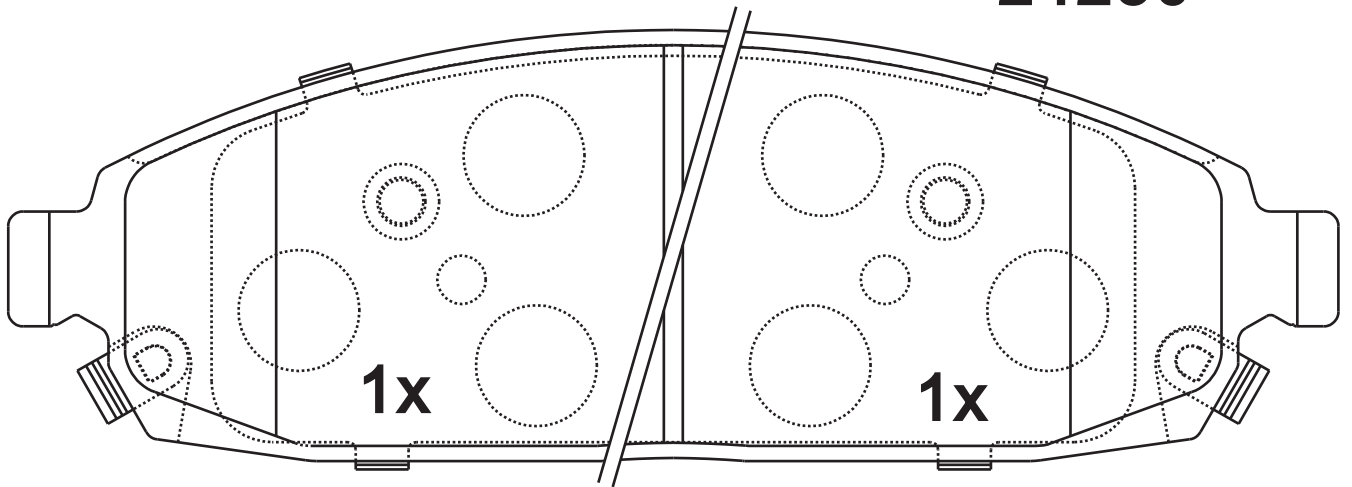


NOTE

2 identical; 2 identical, 1 with acoustic indicator (left), 1 with acoustic indicator (right).



24250



24251

24252

Apply for:

JEEP Commander
JEEP Grand Cherokee

2006-2010
2005

SR0973.02

Dimension
(mm)

Thickness
(mm)

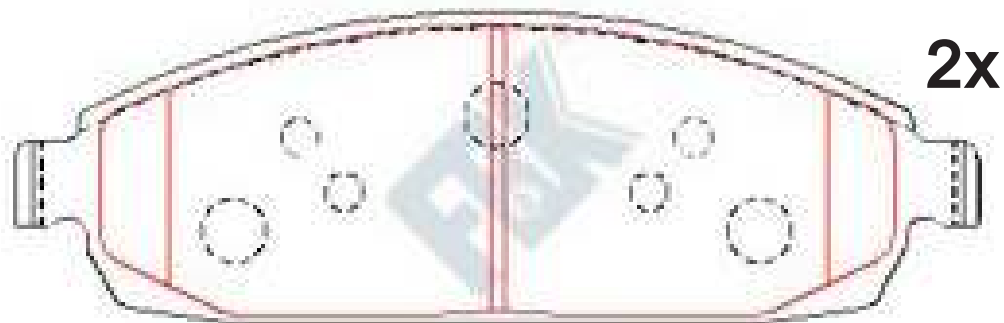
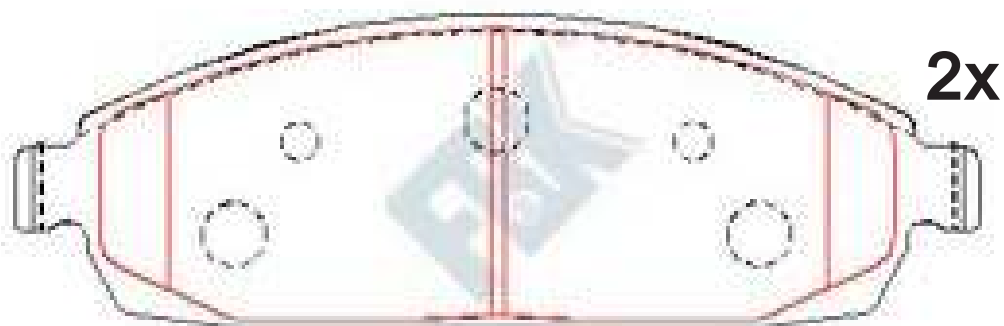


NOTE

2 identical; 2 identical,

175.9×57

18.8



Apply for:

CITROEN DS3 Convertible 2014-2015

JEEP COMMANDER 2008-2009

SR0974.01

Dimension
(mm)

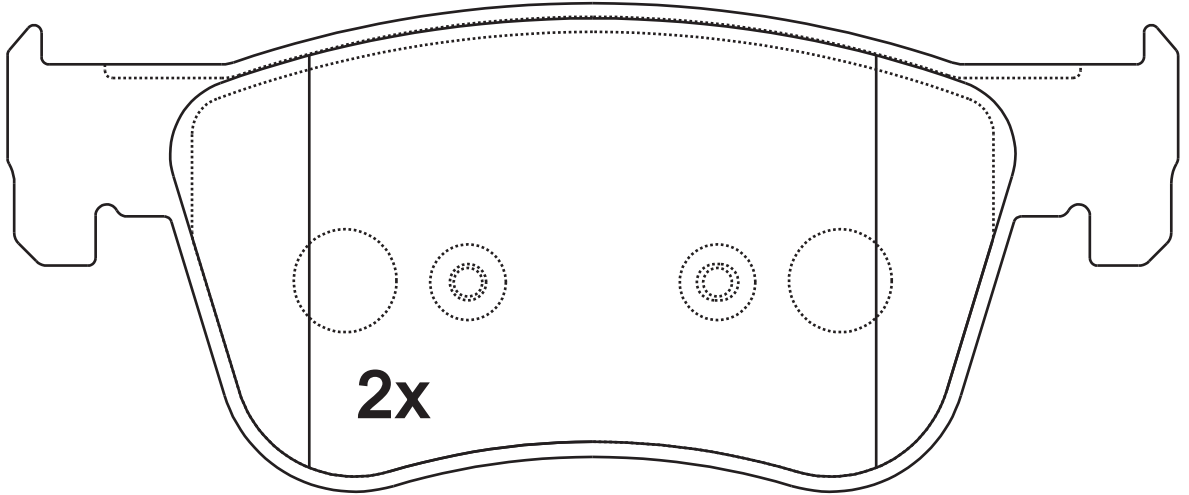
Thickness
(mm)



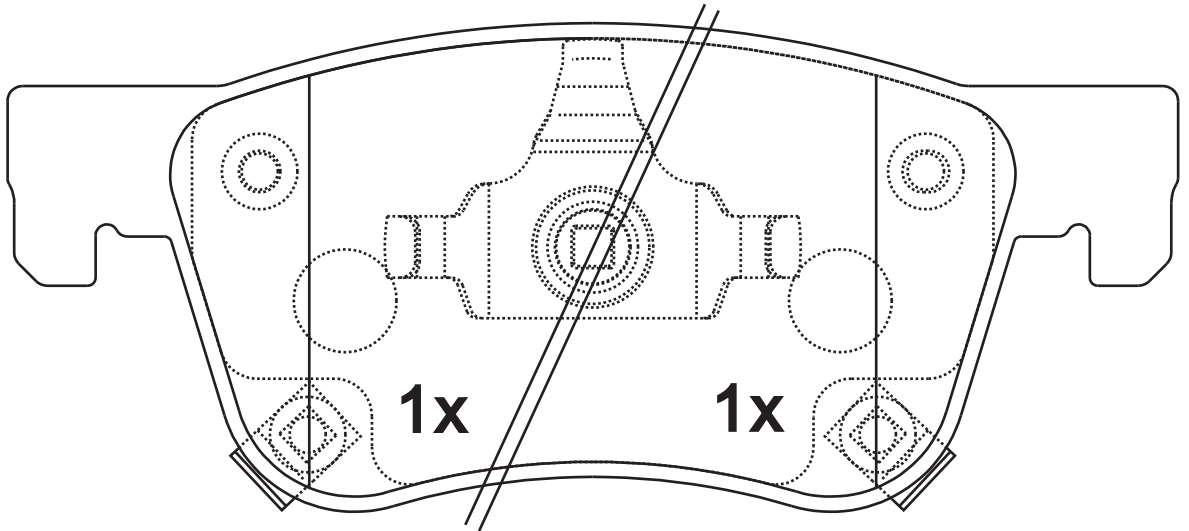
NOTE

154.8×64.6

19.2



GDB8033



Apply for:

Haval H7

2016/04-

SR0974.02

Dimension
(mm)

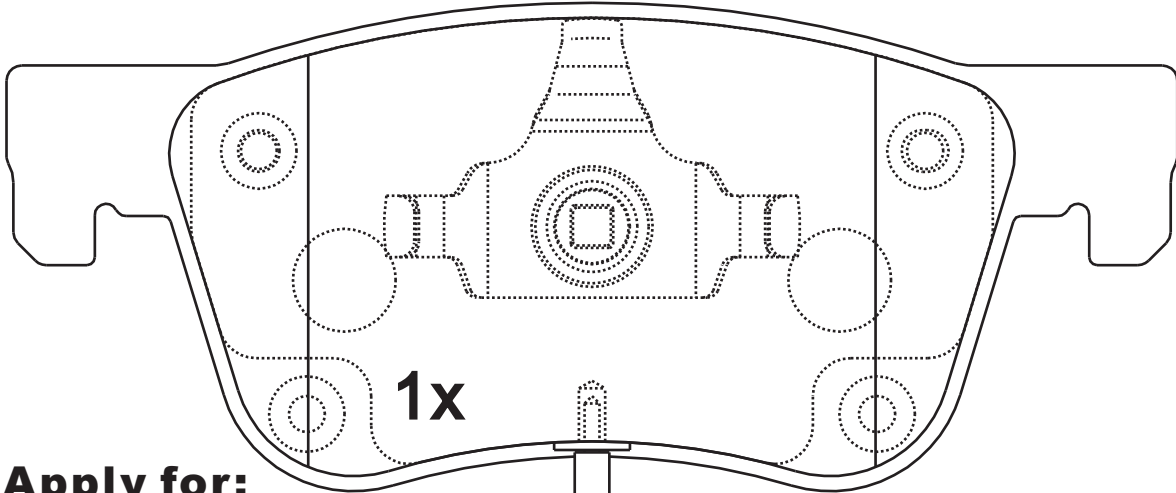
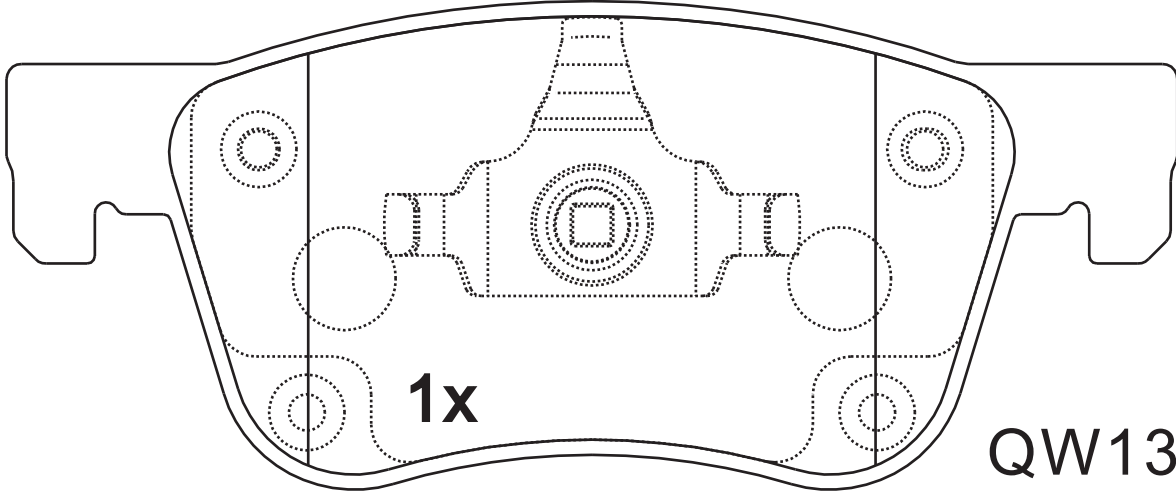
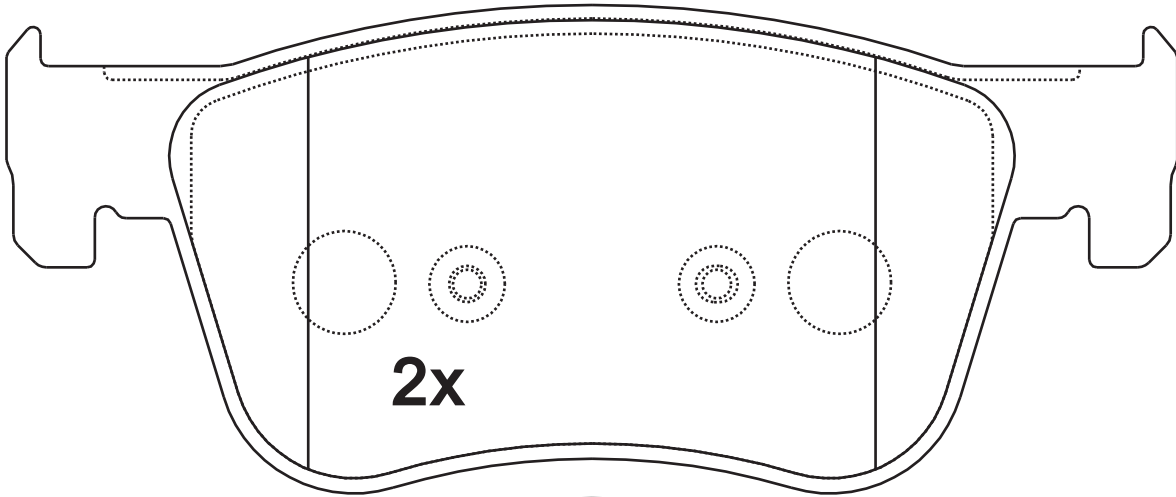
Thickness
(mm)



NOTE

154.8×64.6

19.2

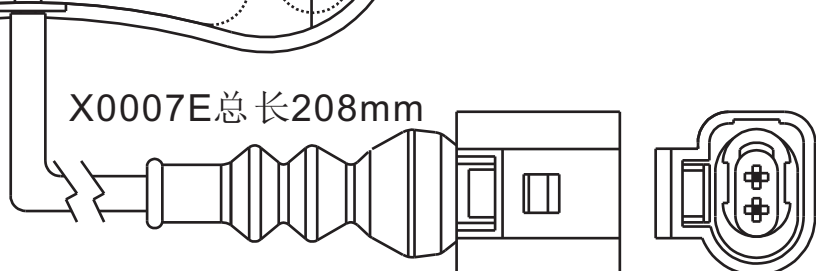


Apply for:

Haval H7

2016/04-

X0007E总长208mm



SR0975.01

Dimension
(mm)

Thickness
(mm)



NOTE

禁用

SR0976.01

Dimension
(mm)

Thickness
(mm)

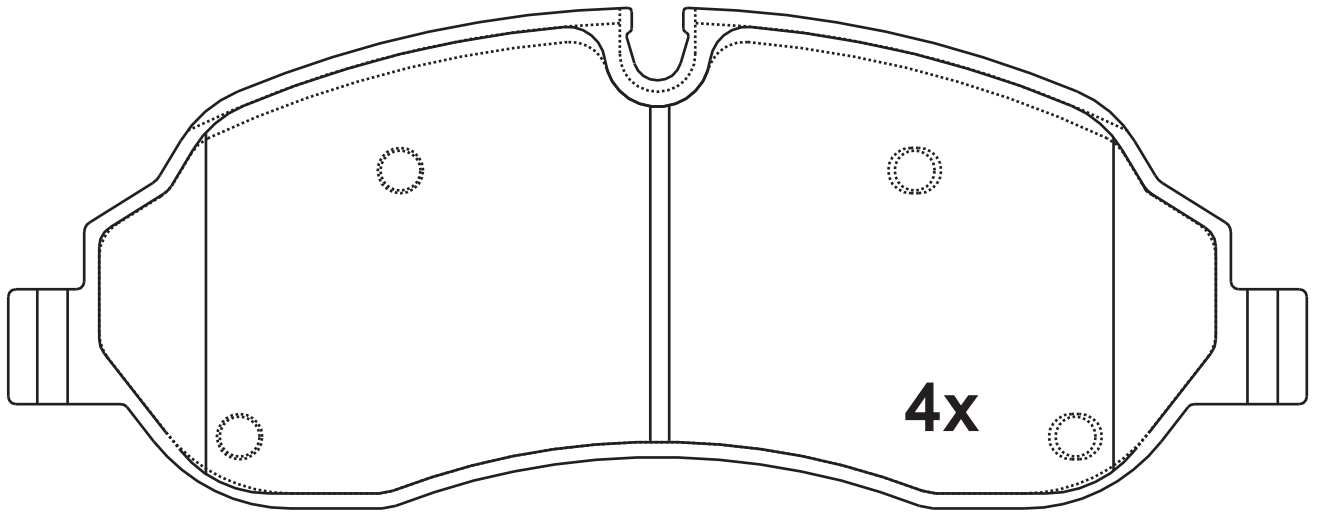


NOTE

4 identical;

171.7×66.2

16.5



D1774-9004

Apply for:

Ford Transit Box
Ford Transit Bus

2013/08-
2013/08-

SR0976

Dimension
(mm)

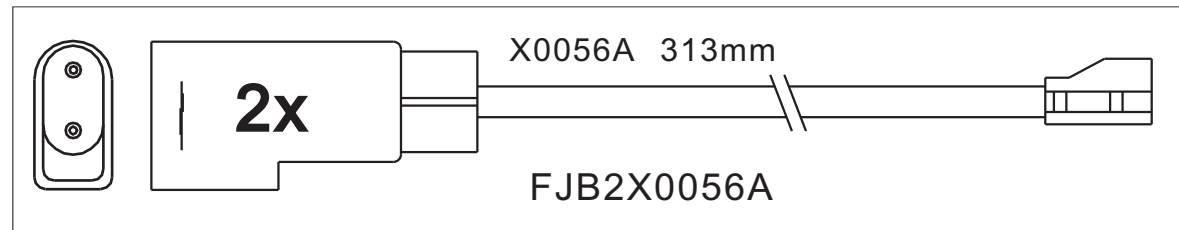
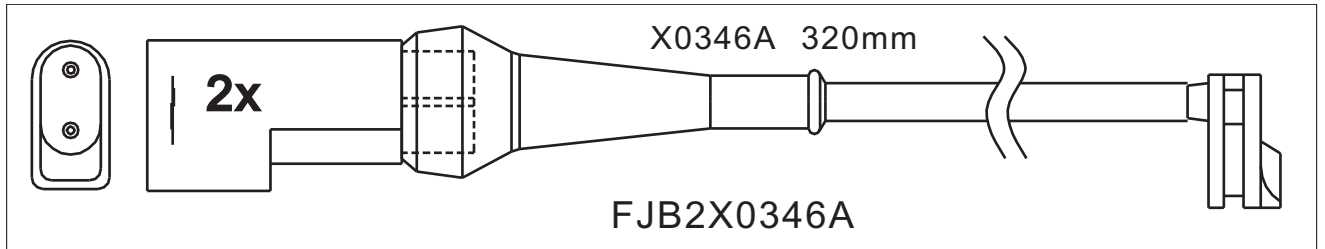
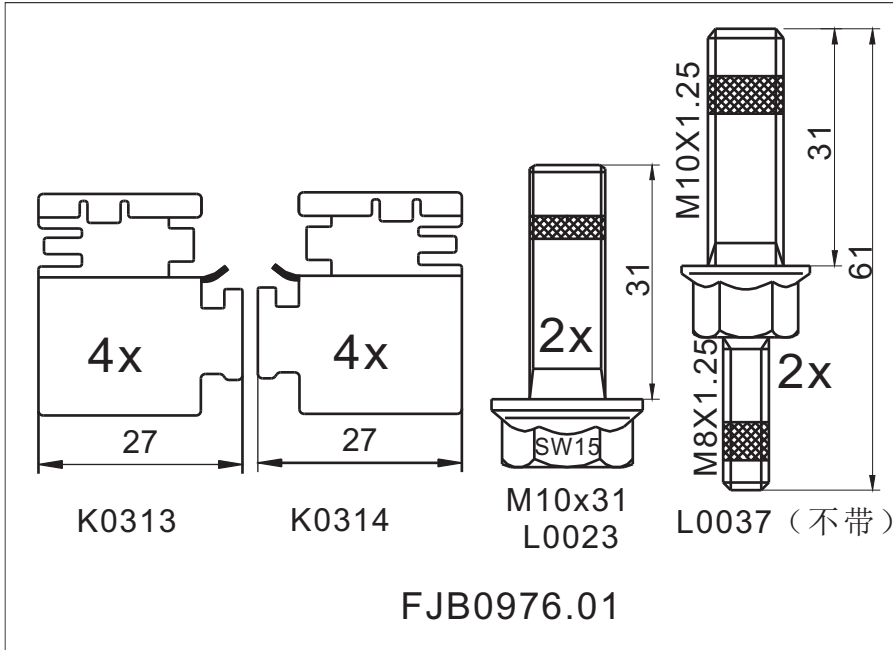
Thickness
(mm)



NOTE

附件包

Accessory bag



SR0977.01

Dimension
(mm)

Thickness
(mm)

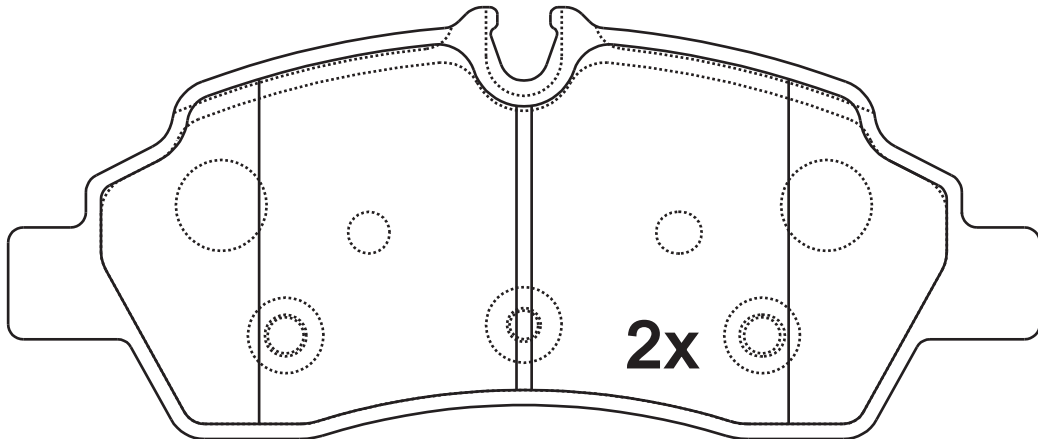
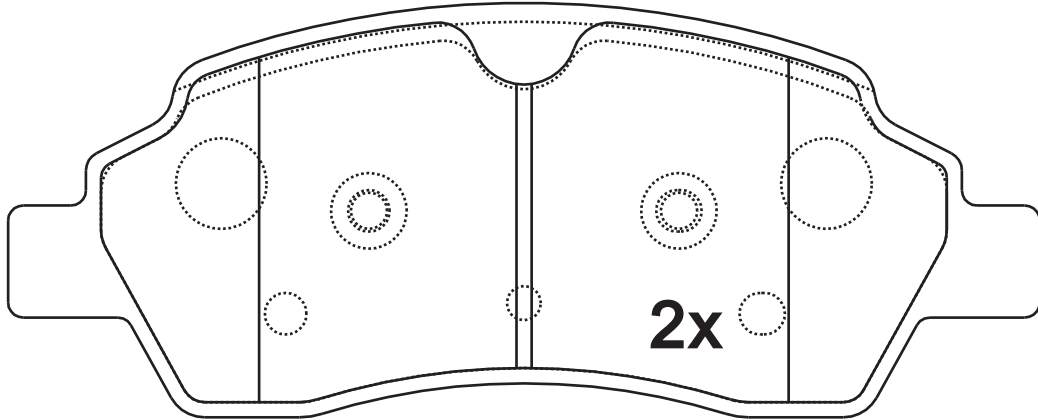


NOTE

2 identical;2 identical;

136.4×54.8

17.5




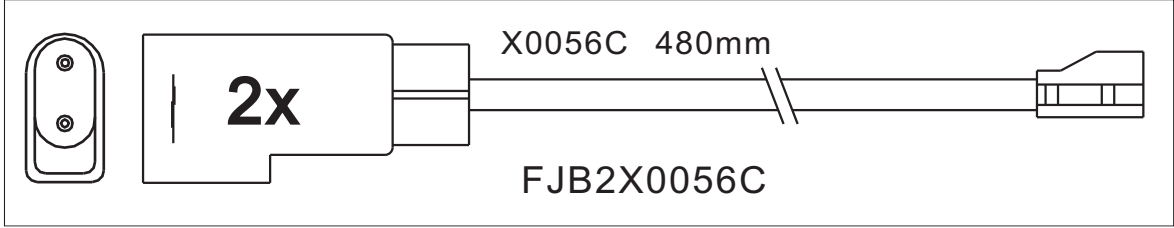
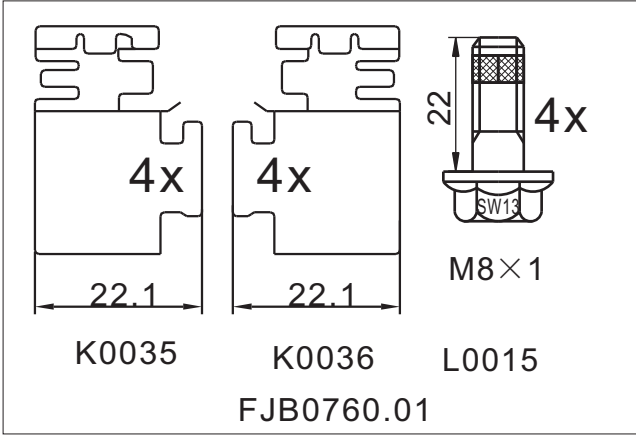
D1775-9005

Apply for:

新全顺

版次: A/3

SR0977	Dimension (mm)	Thickness (mm)		NOTE



SR0978.01

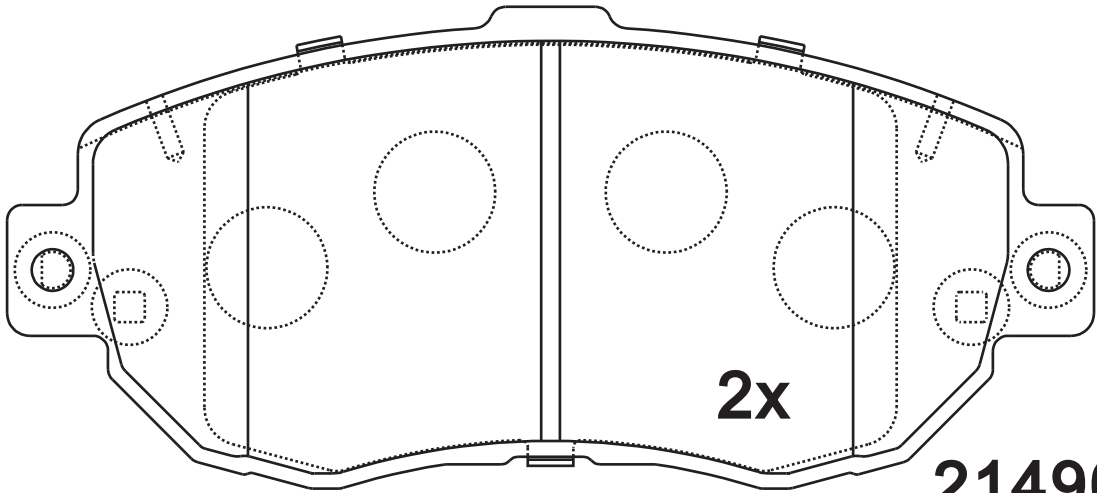
Dimension
(mm)

Thickness
(mm)

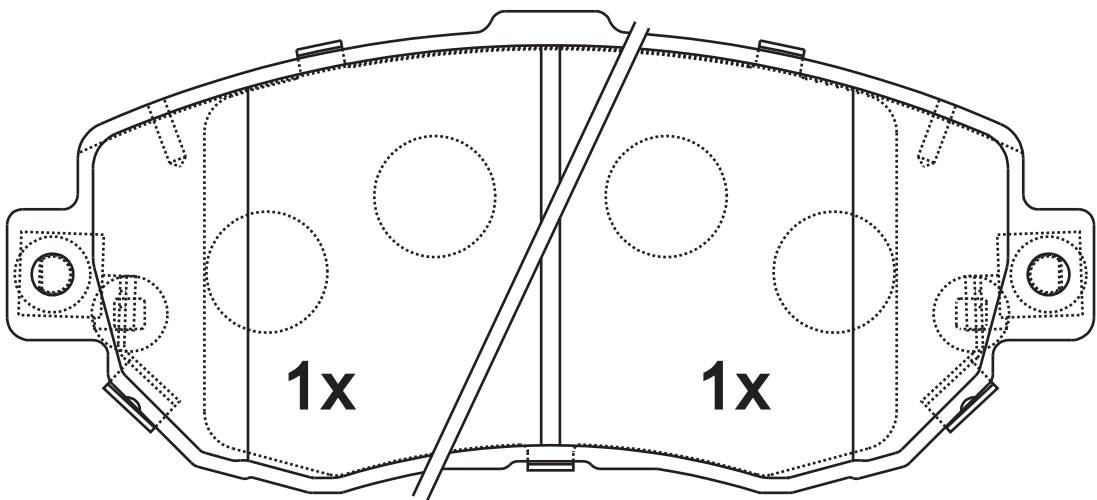


NOTE

2 identical; 2 identical, 1 with acoustic indicator (left), 1 with acoustic indicator (right).



21490



23848

23849

Apply for:

- | | |
|--------------|-----------|
| Lexus GS300 | 1993-2005 |
| Lexus GS400 | 1998-2000 |
| Lexus GS430 | 2001-2005 |
| Lexus IS300 | 2001-2005 |
| Lexus SC430 | 2002-2010 |
| Toyota Supra | 1993-1998 |

SR0979.01

Dimension
(mm)

Thickness
(mm)

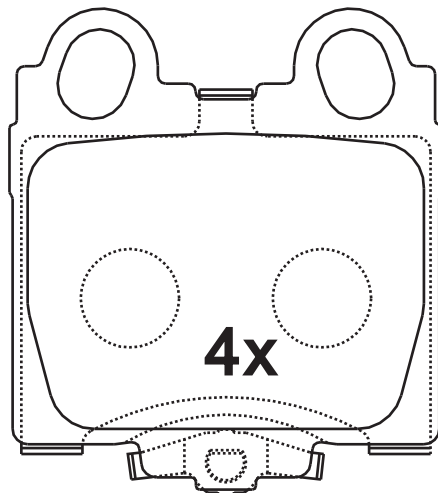


NOTE

4 identical;

57.2×63.6

15.5



23429

Apply for:

Lexus GS300	1998-2005
Lexus GS400	1998-2000
Lexus GS430	2001-2005
Lexus IS300	2001-2005
Lexus SC430	2002-2010

SR0980.01

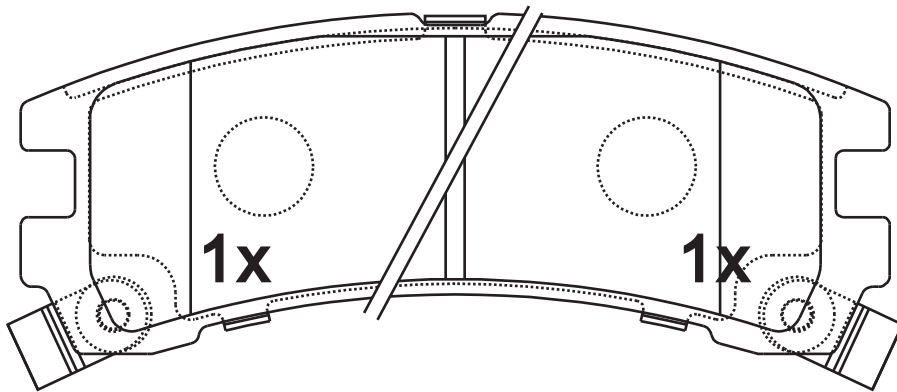
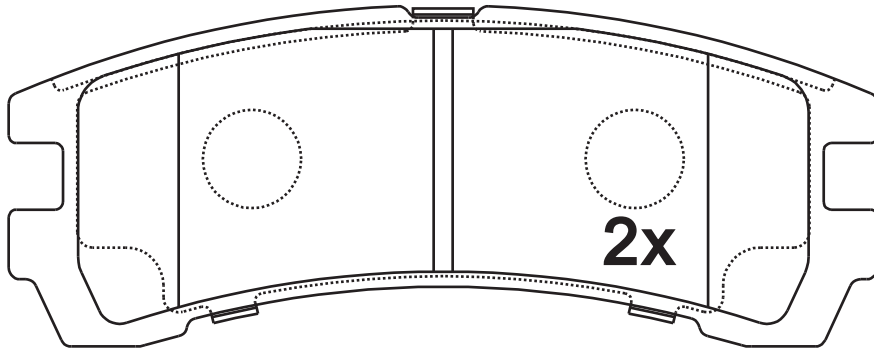
Dimension
(mm)

Thickness
(mm)



NOTE

2 identical; 2 identical, 1 with acoustic indicator (left), 1 with acoustic indicator (right).



**GDB1018
D401**

Apply for:

Nissan Pathfinder

1988-1995

版次: A/3

SR0981.01

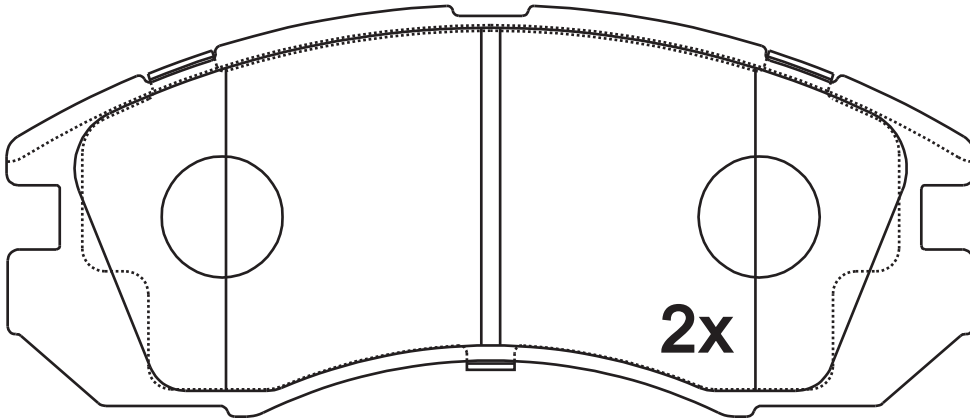
Dimension
(mm)

Thickness
(mm)

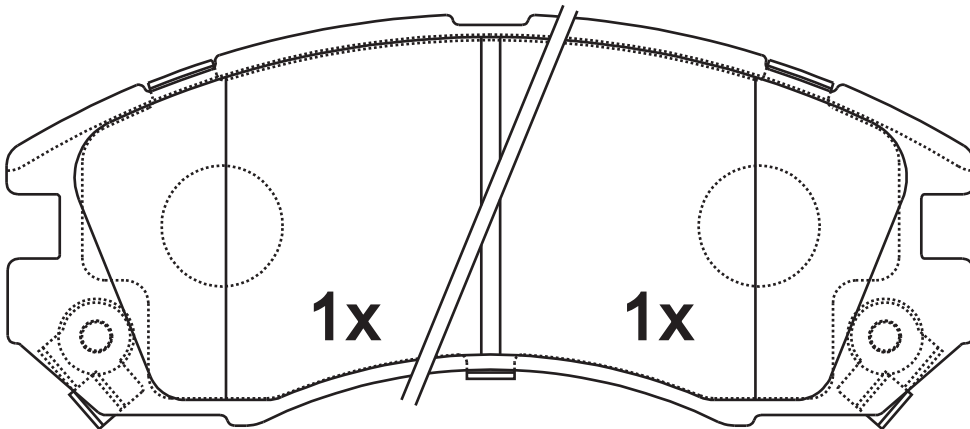


NOTE

4 identical, 1 with acoustic indicator (left), 1 with acoustic indicator (right).



21503



21495

21496

Apply for:

- | | |
|--------------------------|-----------|
| SUBARU Impreza | 1993-1996 |
| SUBARU Legacy 14" Wheels | 1991-1994 |
| SUBARU Legacy 14" Wheels | 1996- |
| SUBARU Legacy | 1990- |
| SUBARU Legacy | 1995- |

SR0982.01Dimension
(mm)

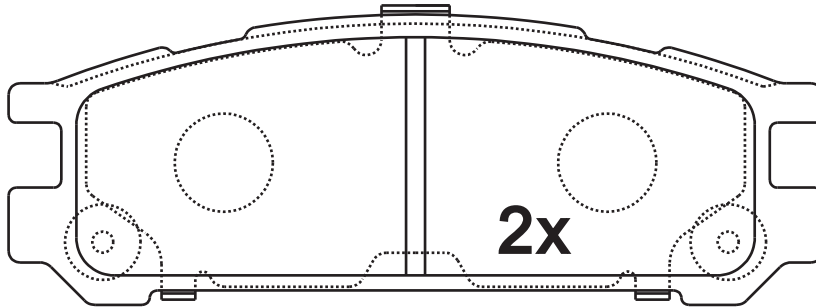
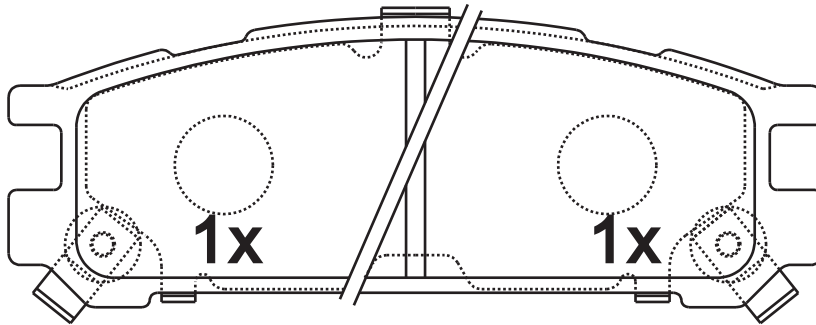
107.6×38.4

Thickness
(mm)

15

**NOTE**

2 identical; 2 identical, 1 with acoustic indicator (left), 1 with acoustic indicator (right).

**21703****21705****21704****Apply for:**

SUBARU Impreza	1993-1996
SUBARU Impreza RS	1998
SUBARU Legacy 14" Wheels	1991-1994
SUBARU Legacy 14" Wheels	1996-1998
SUBARU Legacy 15" Wheels	1991-1994
SUBARU Legacy 15" Wheels	1996-1998
SUBARU Legacy	1990
SUBARU Legacy	1995
SUBARU Legacy	1999
SUBARU SVX	1992-1997

SR0983.01

Dimension
(mm)

Thickness
(mm)

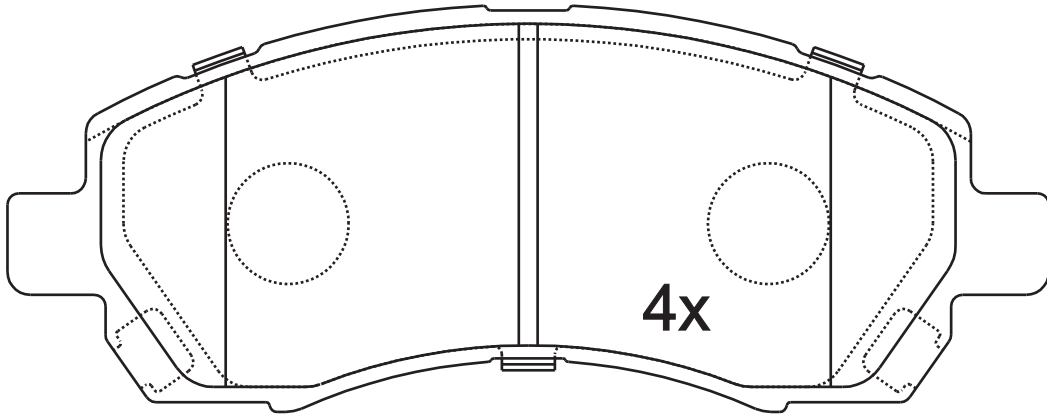


NOTE

4 identical;

137.7×53.7

17.5




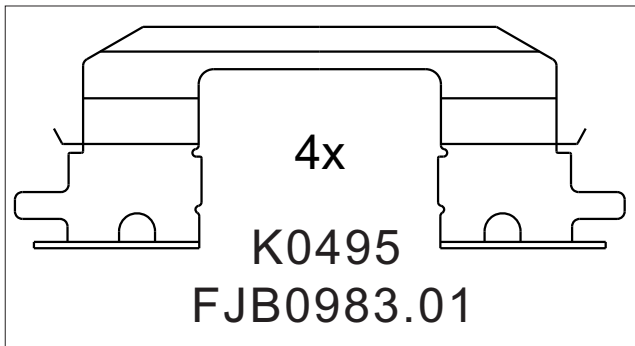
B0319

23780
(23781/23782)

Apply for:

Subaru Impreza	1997-2001
Subaru Legacy 14" Wheels	1997-1998
Subaru Legacy	1999-
Subaru Legacy Brighton	2000-2001

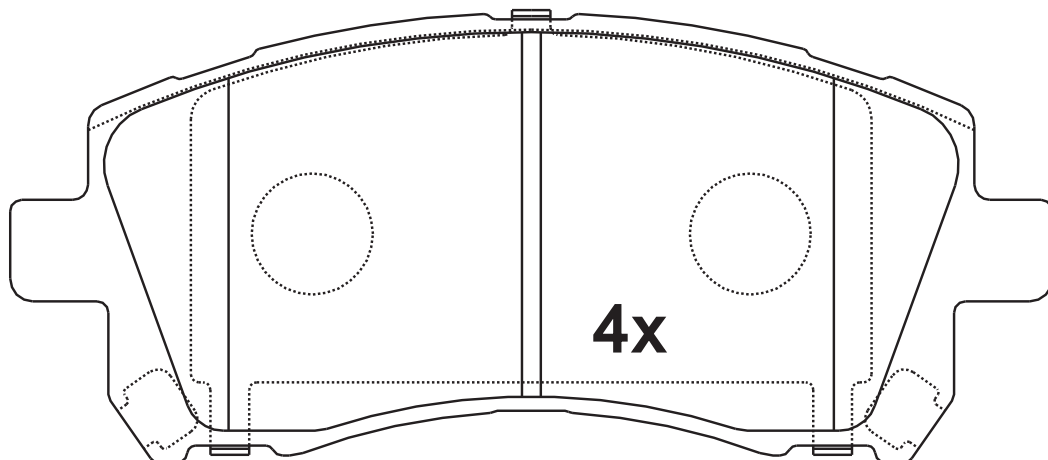
SR0983	Dimension (mm)	Thickness (mm)		NOTE



SR0984.01Dimension
(mm)Thickness
(mm)**NOTE****4 identical;**

137.8×59.4

17.8

**21915/23558/23559/23560
D721**

Apply for:

Subaru Forester	1998-2002
Subaru Impreza	2002
Subaru Impreza RS	1998-2001
Subaru Impreza WRX	2003
Subaru Legacy 15" Wheels	1997-1998
Subaru Legacy	1999-2002
Subaru Outback	2000-2001

SR0985.01

Dimension
(mm)

Thickness
(mm)

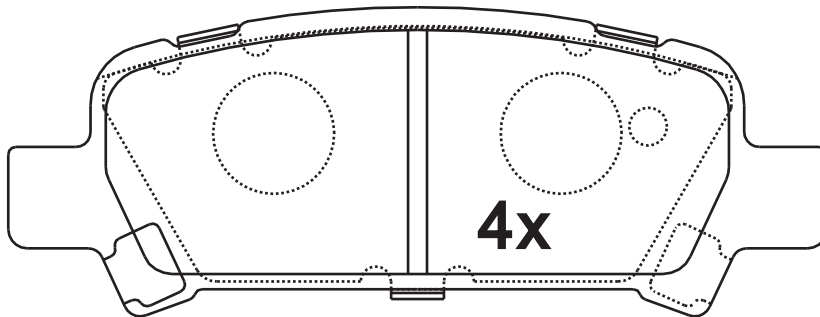


NOTE

4 identical;

108.2×40.9

14.5



B0038

**23572/23573/23574
D770**

Apply for:

Subaru Baja	2003-2006
Subaru Forester	1998-2003
Subaru Impreza	2002-
Subaru Impreza RS	1999-2001
Subaru Impreza WRX	2003-
Subaru Legacy	2000-2005
Subaru Legacy 3.0R	2008-2009
Subaru Legacy GT	2006-2009
Subaru Outback	2000-2004

SR0986.01

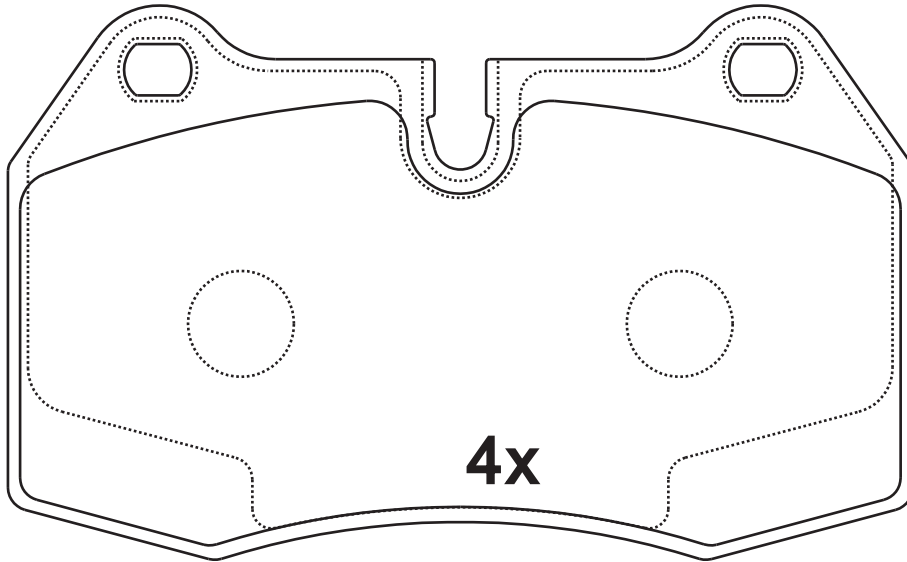
Dimension
(mm)

Thickness
(mm)



NOTE

4 identical;




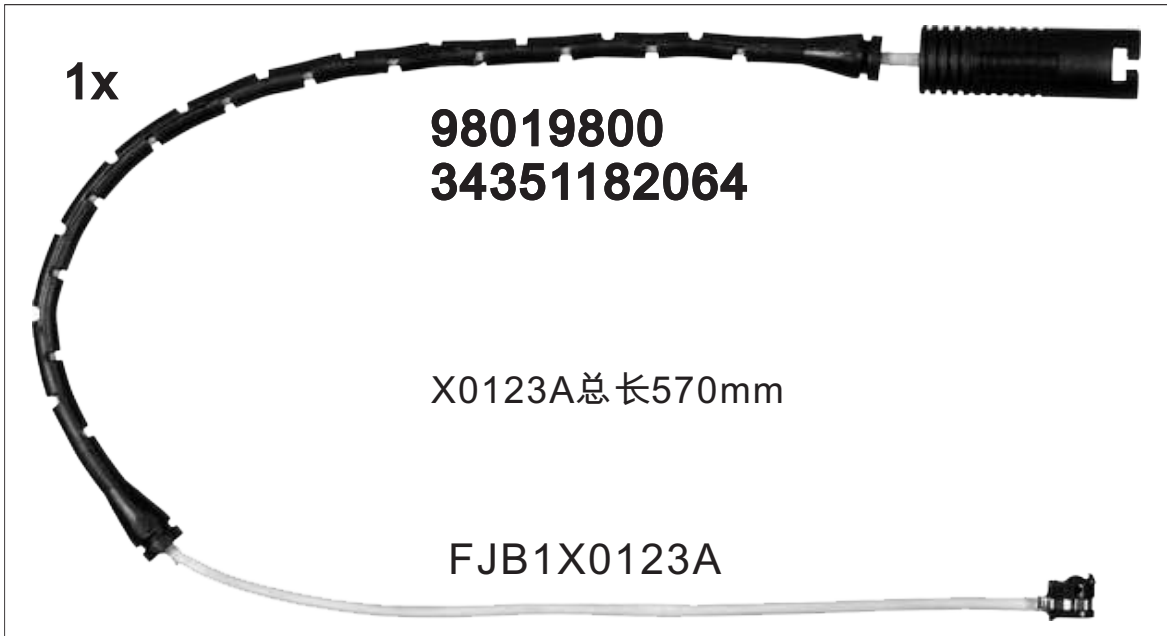
**21471
D639**

Apply for:

BMW 840Ci
BMW 850Ci
BMW 850Ci 2 Piston Caliper Front

1994-1997
1995-1997
1994-

SR0986	Dimension (mm)	Thickness (mm)		NOTE
				附件包 Accessory bag



SR0987.01

Dimension
(mm)

Thickness
(mm)

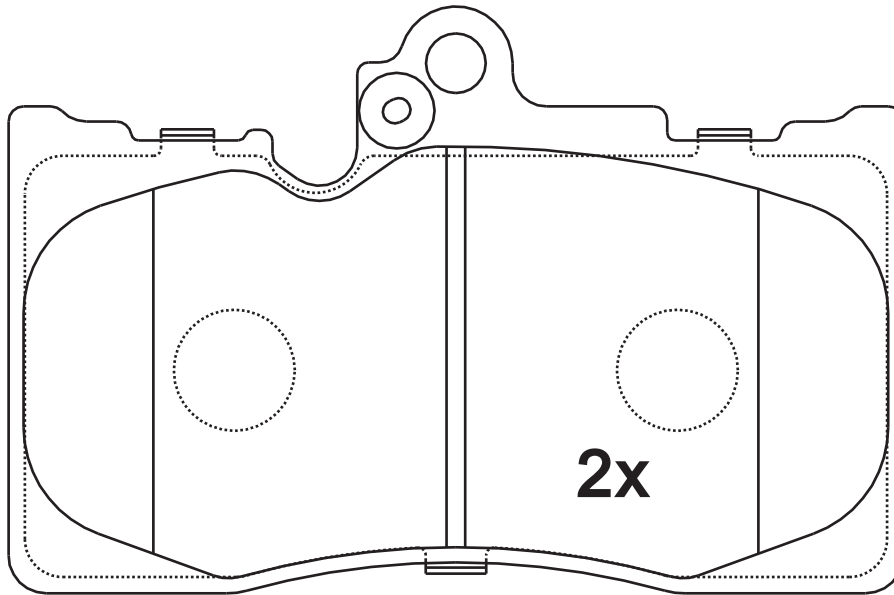


NOTE

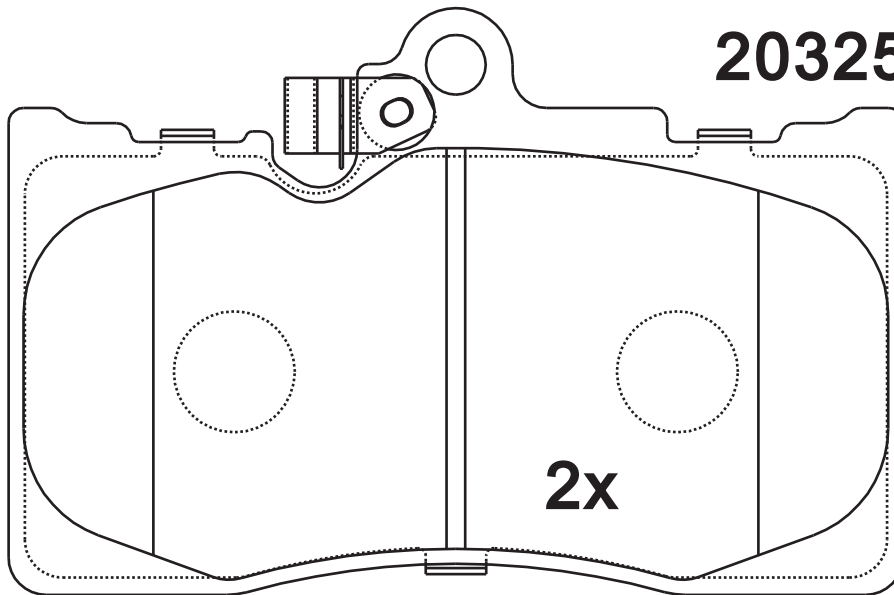
2 identical;2 identical;

118.3×77.6

17.5



20325



24396

Apply for:

- | | |
|-----------------|-----------|
| Lexus GS350 | 2007-2011 |
| Lexus GS430 | 2006-2007 |
| Lexus GS450h | 2007-2011 |
| Lexus GS460 | 2008-2011 |
| Lexus IS350 | 2006-2011 |
| Lexus IS350 RWD | 2014- |

SR0988.01

Dimension
(mm)

Thickness
(mm)

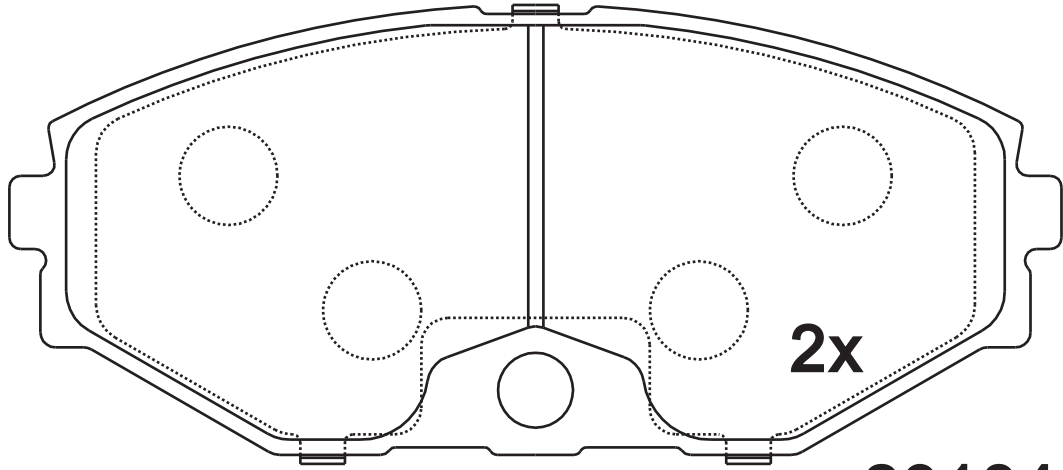


NOTE

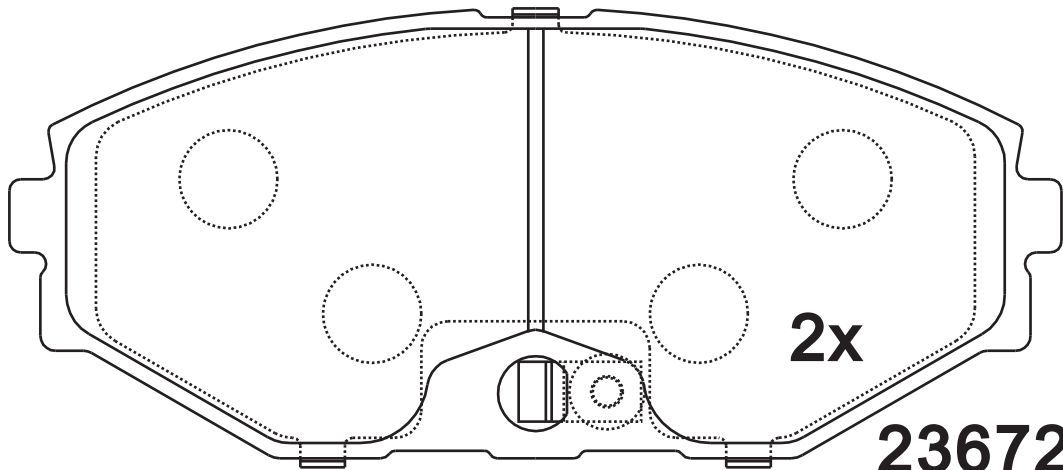
2 identical;2 identical;

139.1×59.3

14.8



23184



23672

Apply for:

INFINITI J30

1993-1997

SR0989.01

Dimension
(mm)

156.1×66.2

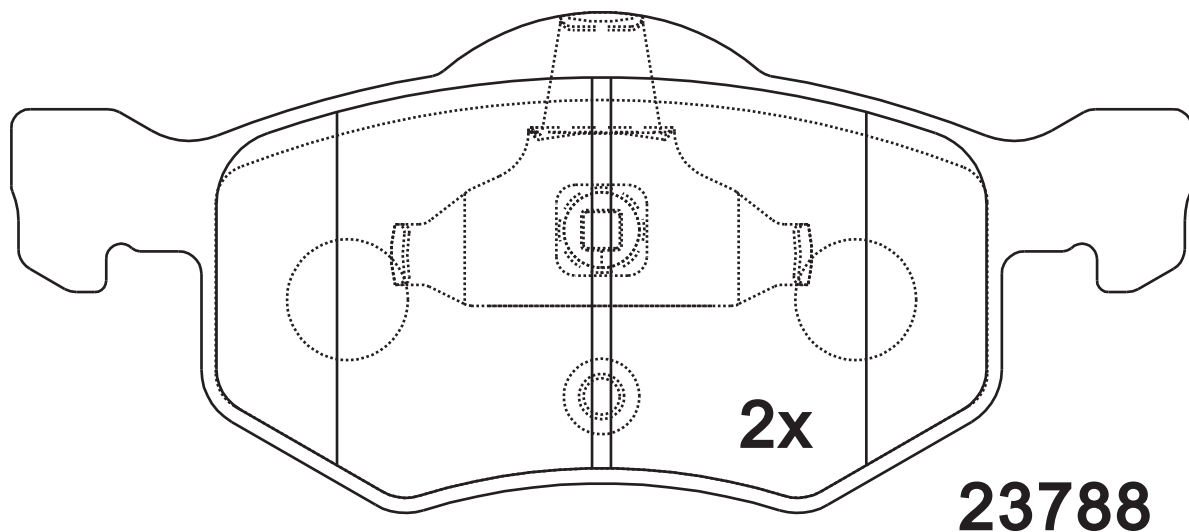
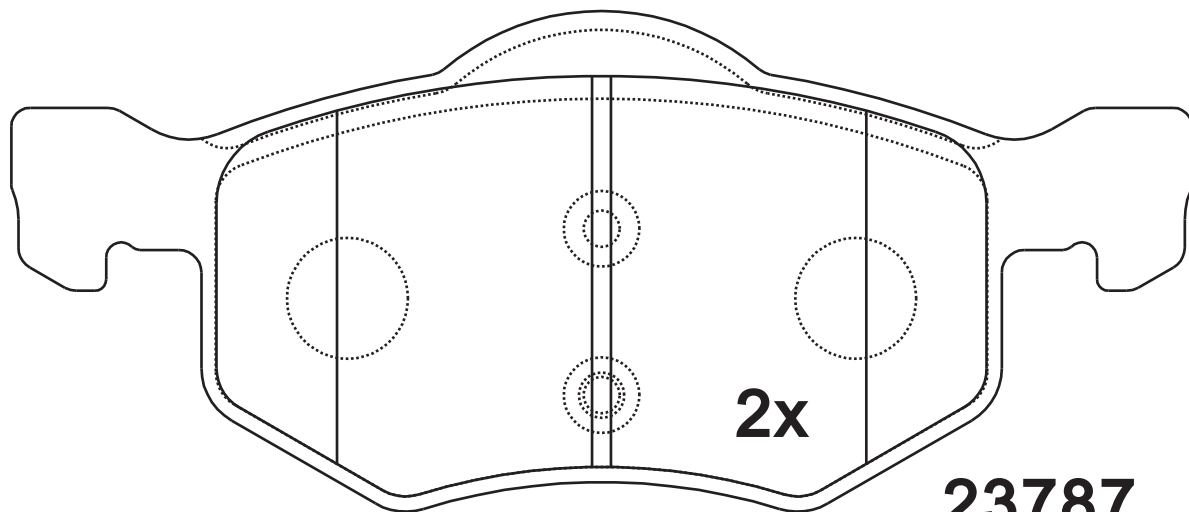
Thickness
(mm)

19



NOTE

2 identical;2 identical;



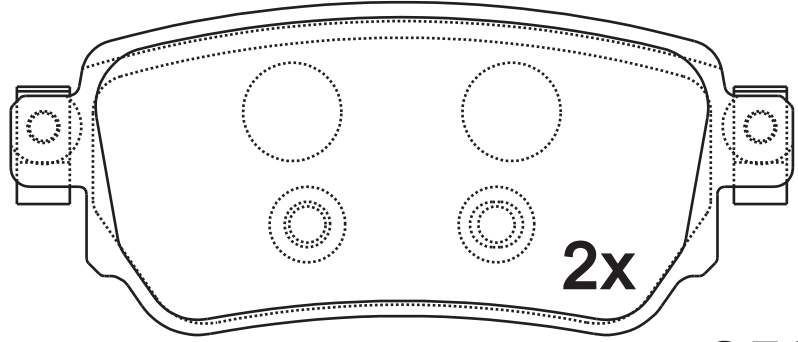
Apply for:

Ford TRUCK Escape	2001-2007
Mazda Tribute	2001-2004
Mazda Tribute 4 Cylinder	2005-2006
Mercury Mariner 2.3 Ltr	2005-2007
Mercury Mariner 3.0 Ltr	2007-
Mercury Mariner Hybrid	2007-

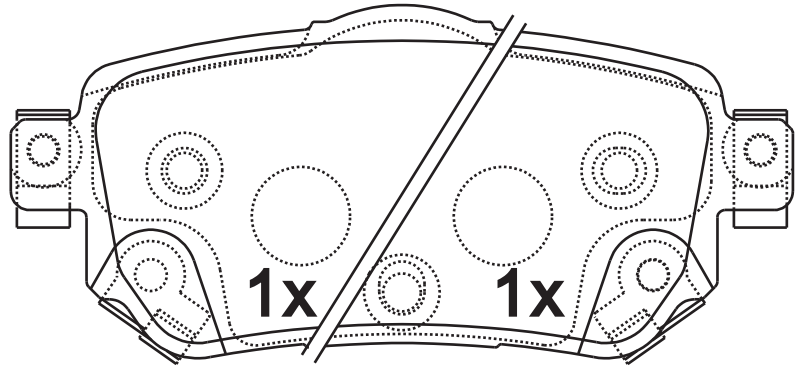
SR0990.01

Dimension (mm)	Thickness (mm)	
103.4×44 103.4×46.7	15.2	 

NOTE
2 identical; 2 identical, 1 with acoustic indicator (left), 1 with acoustic indicator (right).



25965



25967



25966

Apply for:

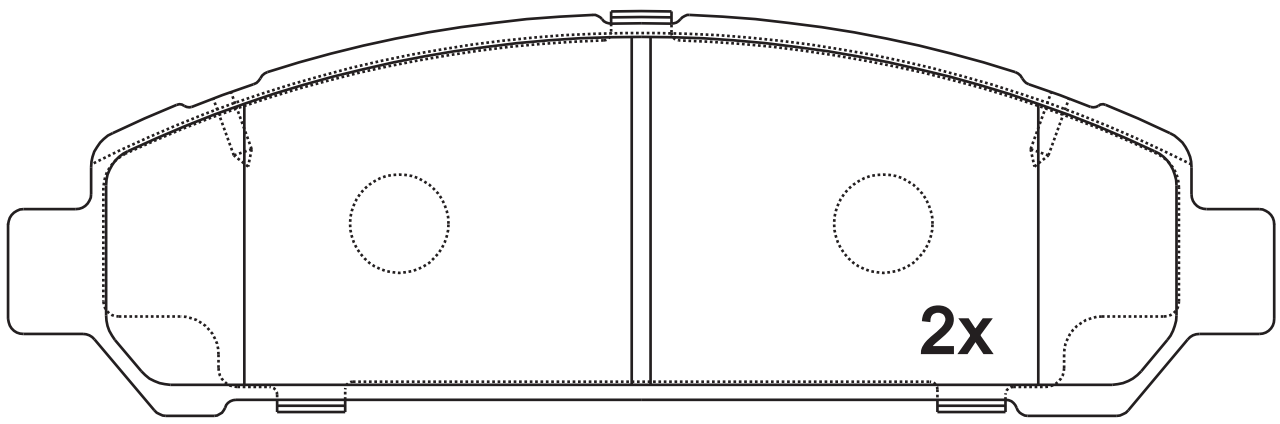
Nissan Qashqai li Closed Off-Road Vehicle
Renault Kadjar

2013/11-
2015/06-

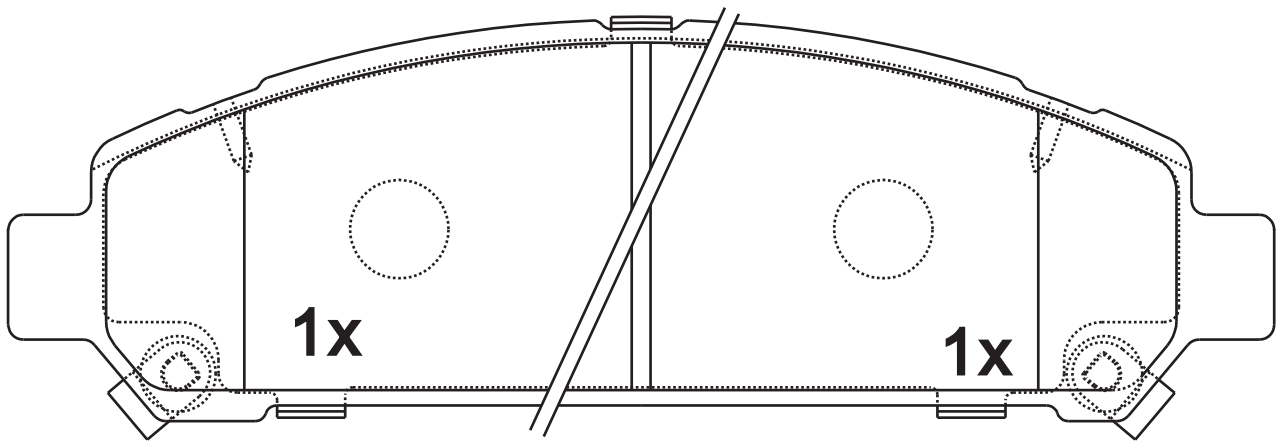
SR0991.01

Dimension (mm)	Thickness (mm)	
167.4×53	17.9	
		

NOTE
2 identical; 2 identical, 1 with acoustic indicator (left), 1 with acoustic indicator (right).



D1401-8509



Apply for:

Toyota Venza

2009-2014

SR0992.01

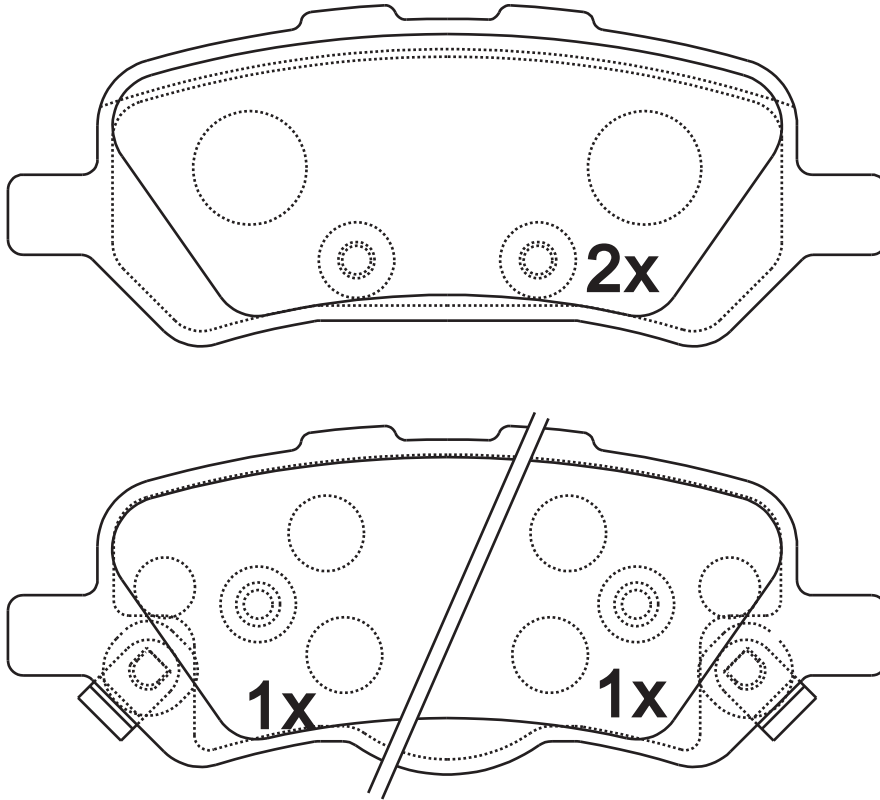
Dimension
(mm)

Thickness
(mm)



NOTE

2 identical; 2 identical, 1 with acoustic indicator (left), 1 with acoustic indicator (right).



D1402-8510

Apply for:

Toyota Venza

2009-2014

SR0993.01

Dimension
(mm)

110.5×40

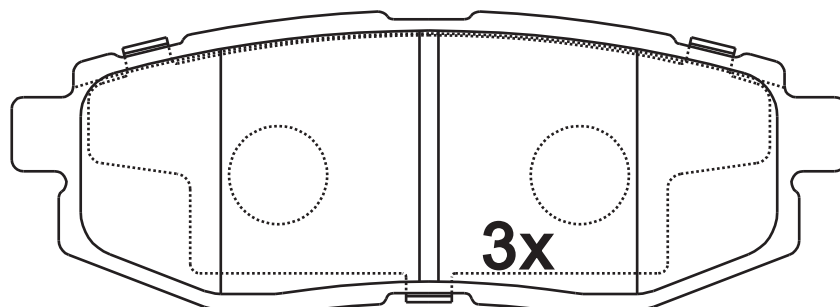
Thickness
(mm)

16

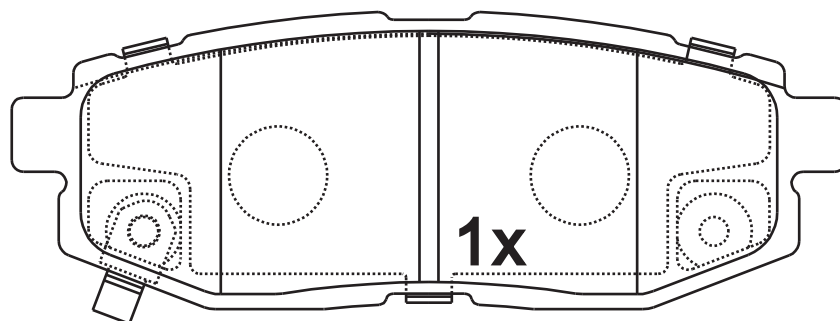


NOTE

**3 identical;1 identical,
1 with acoustic
indicator(right).**



24854



24855

Apply for:

Scion fr-S	2013-2014
Subaru B9 Tribeca	2006-2007
Subaru BRZ	2013-2014
Subaru Forester 2.0XT	2014-
Subaru Legacy 2.5GT	2010-2012
Subaru Legacy 3.6R	2010-2014
Subaru Outback 3.6R	2010-2014
Subaru Tribeca	2008-2014

SR0993

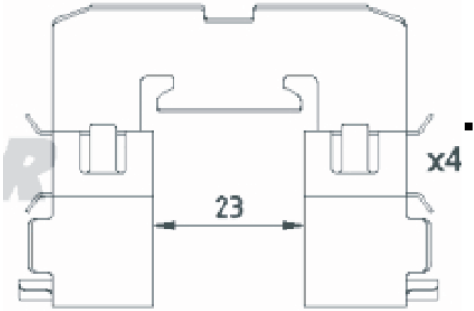
**Dimension
(mm)**

**Thickness
(mm)**



NOTE

附件包
Accessory bag



DX0080
FJB0993.01

SR0994.01

Dimension
(mm)

Thickness
(mm)

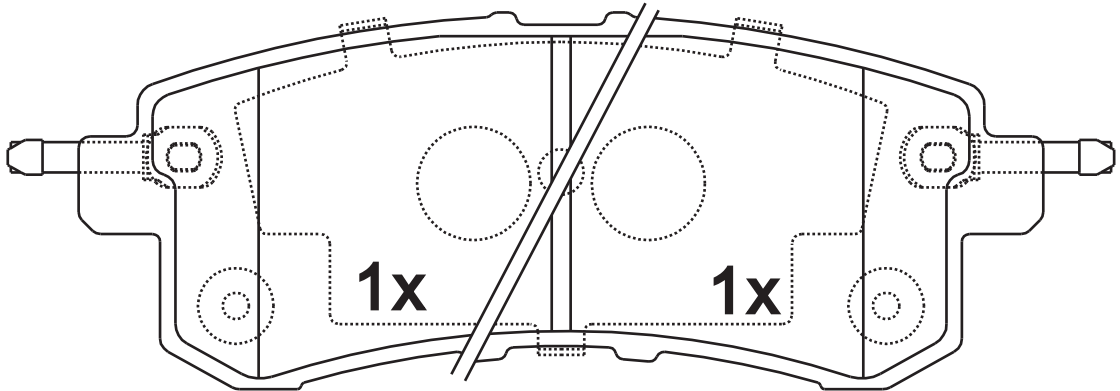


NOTE

**1 identical;1 identical,
1 identical;1 identical,**

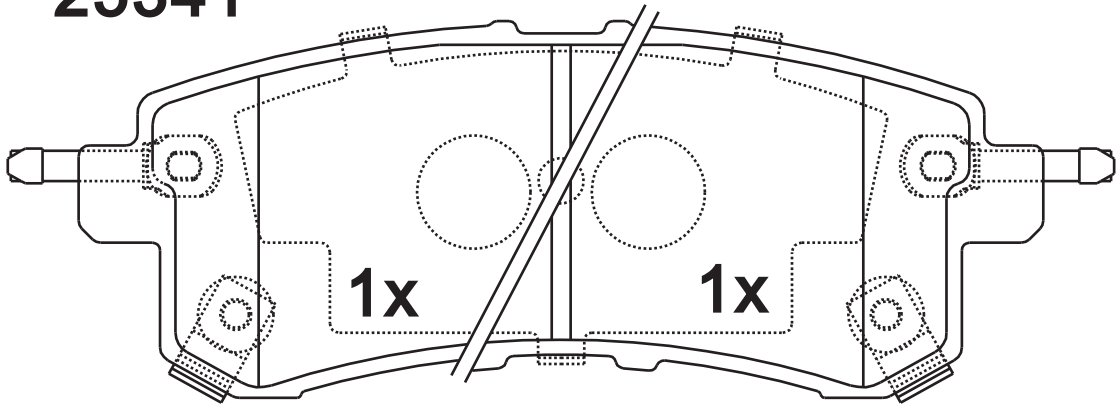
127.6×49.8

15



25341

25340



25343

25342

Apply for:

Infiniti QX56
Infiniti QX80

2011-2013
2014-

版次: A/3

SR0995.01

Dimension
(mm)

Thickness
(mm)

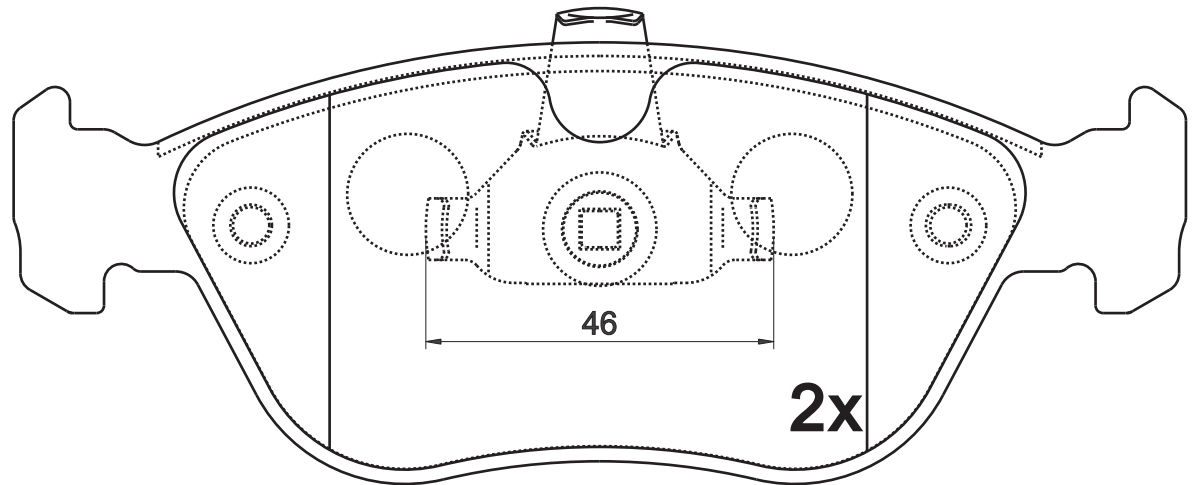
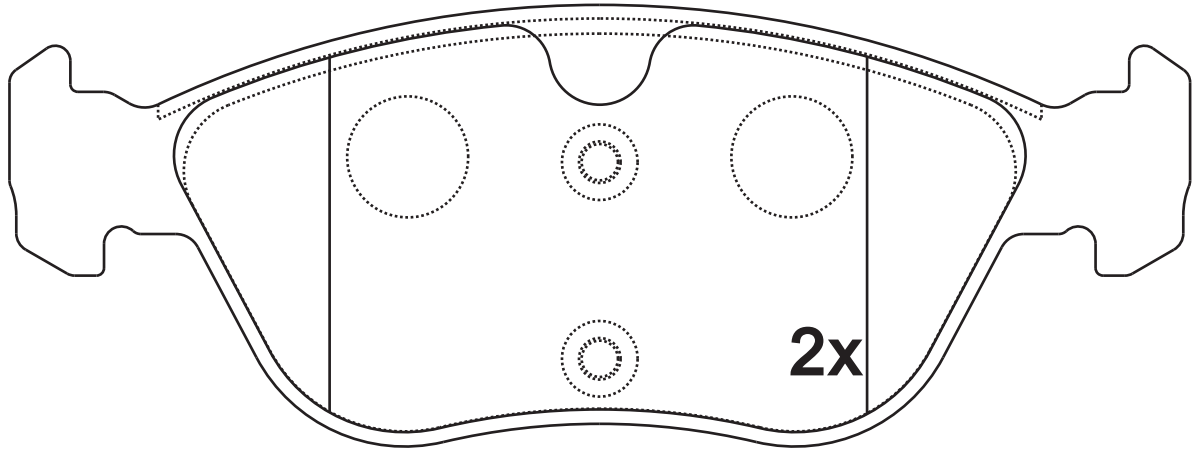


NOTE

2 identical;2 identical;

156.3×58.4

19.5



GDB1406

Apply for:

- | | |
|----------------------|-----------|
| Volvo 850 | 1993-1997 |
| Volvo 850 2.3 Liter | 1994 |
| Volvo C70 16" Wheels | 1998-2005 |
| Volvo S70 15" Wheels | 1998-2000 |
| Volvo S70 | 1998-2000 |
| Volvo V70 AWD | 1998-2000 |
| Volvo V70 FWD | 1998-2000 |

SR0995.02

Dimension
(mm)

Thickness
(mm)

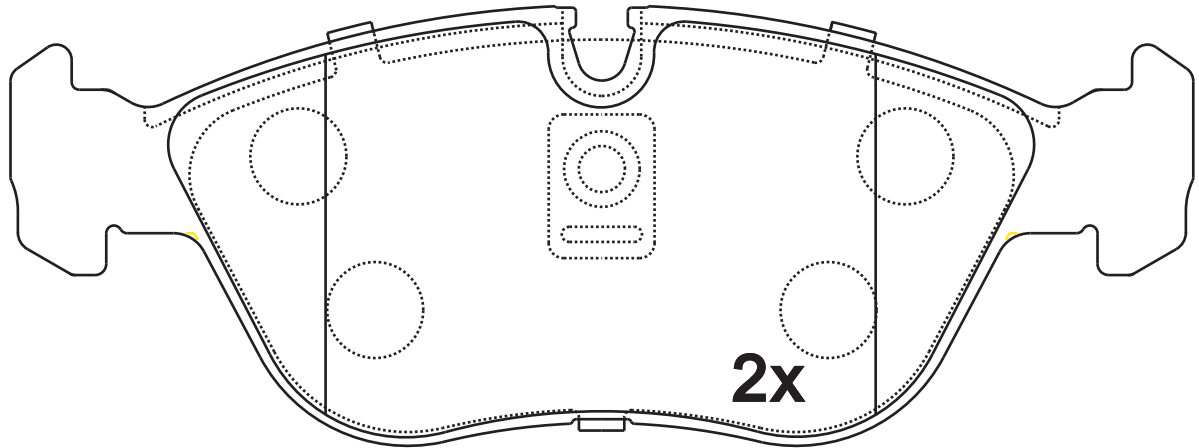


NOTE

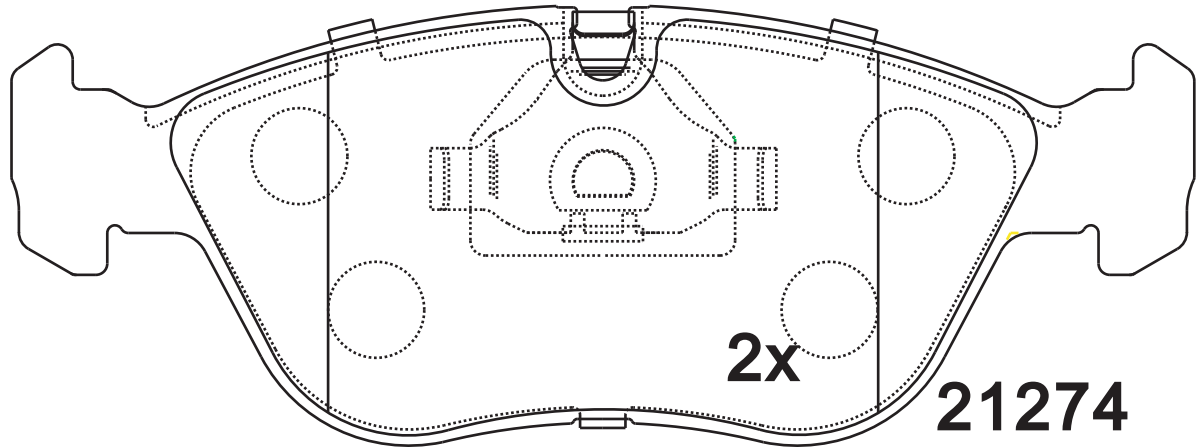
2 identical; 2 identical;

156.3×58.4

19.5



21273



21274

Apply for:

Volvo 850	1993-1997
Volvo 850 2.3 Liter	1994
Volvo C70 16" Wheels	1998-2005
Volvo S70 15" Wheels	1998-2000
Volvo S70	1998-2000
Volvo V70 AWD	1998-2000
Volvo V70 FWD	1998-2000

SR0996.01

Dimension
(mm)

Thickness
(mm)

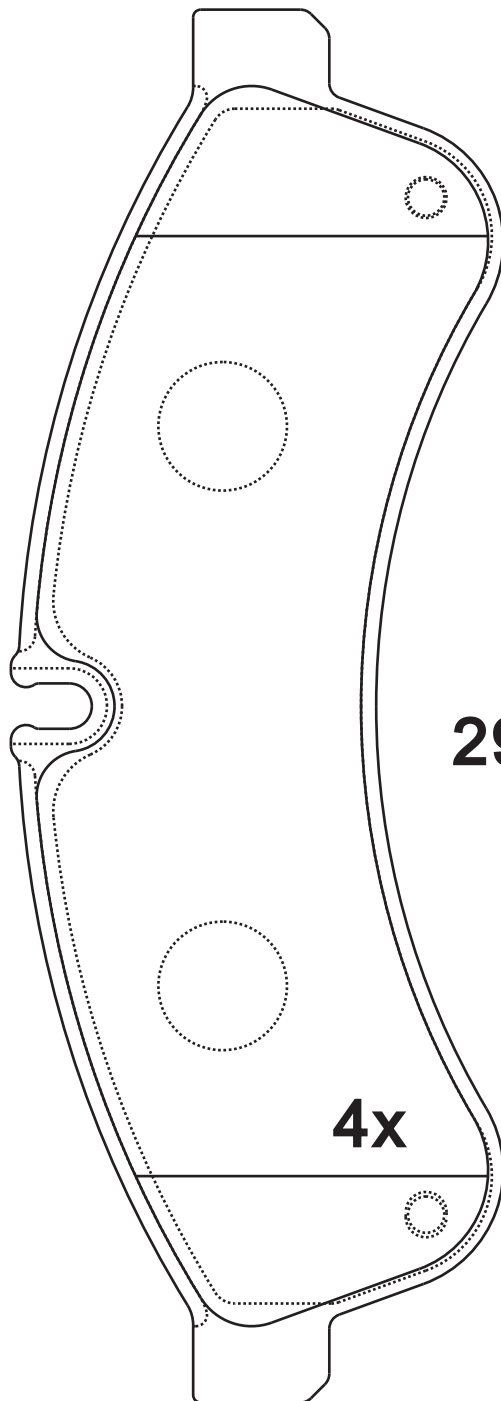


NOTE

4 identical;

184.2×64.8

22.7



29231

4x

Apply for:

Iveco Daily Iii

2006/05-

SR0996.02

Dimension
(mm)

Thickness
(mm)

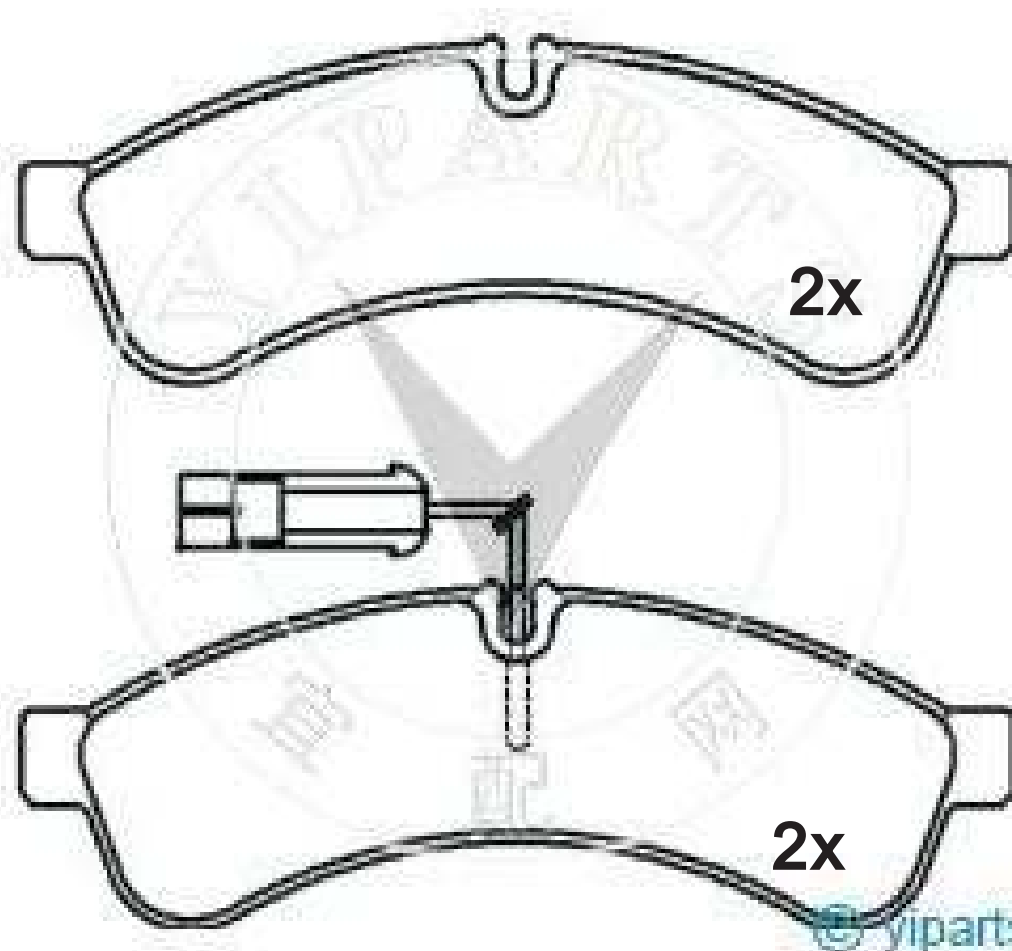


NOTE

4 identical prepare for wear indicator.

184.2×64.6

22.8



29231 29398

Apply for:

Nissan Nt500

Renault Trucks D-Serie

2013/05-

2013/01-

SR0996

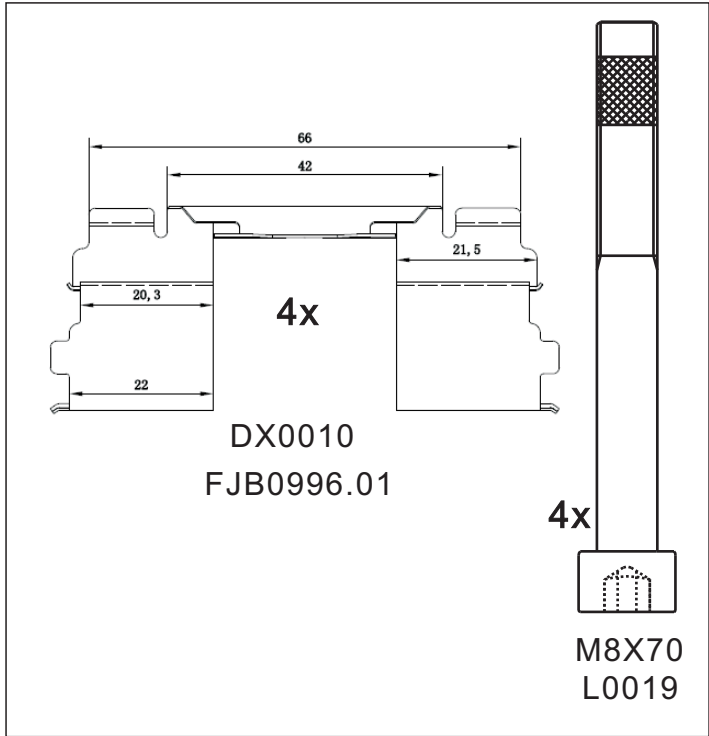
Dimension
(mm)



Thickness
(mm)



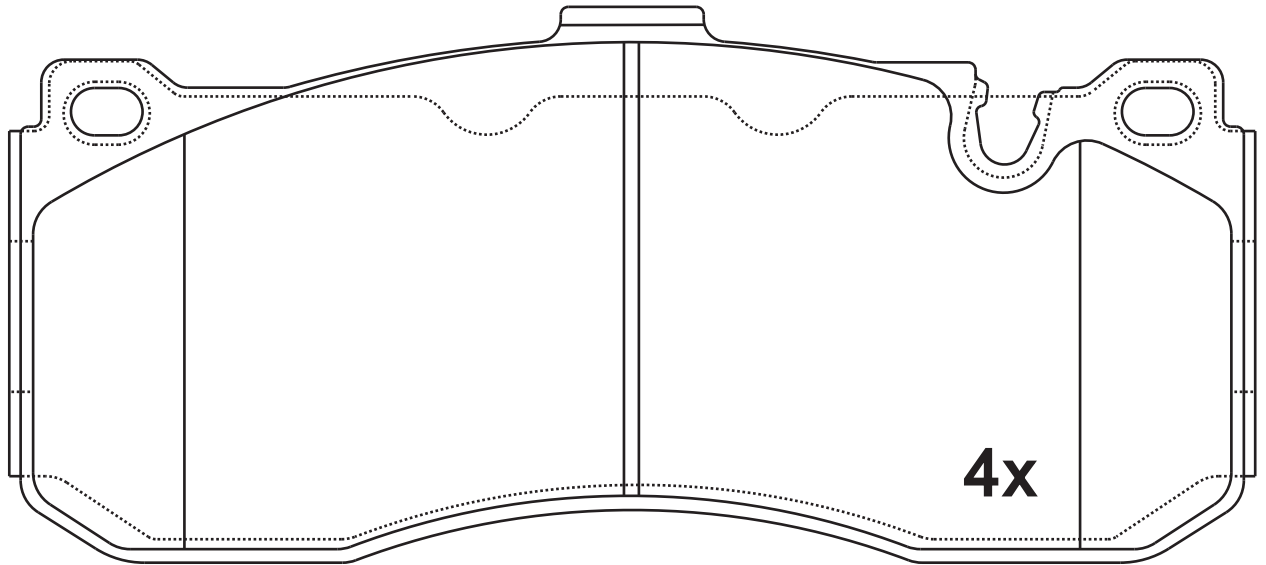
NOTE

附件包
Accessory bag



SR0997.01	Dimension (mm)	Thickness (mm)		NOTE
	164.7×73.5	16.9		4 identical;

无模具



24316
D1371

Apply for:

BMW 135i
BMW 135is

2008-2013
2013

SR0998.01

Dimension
(mm)

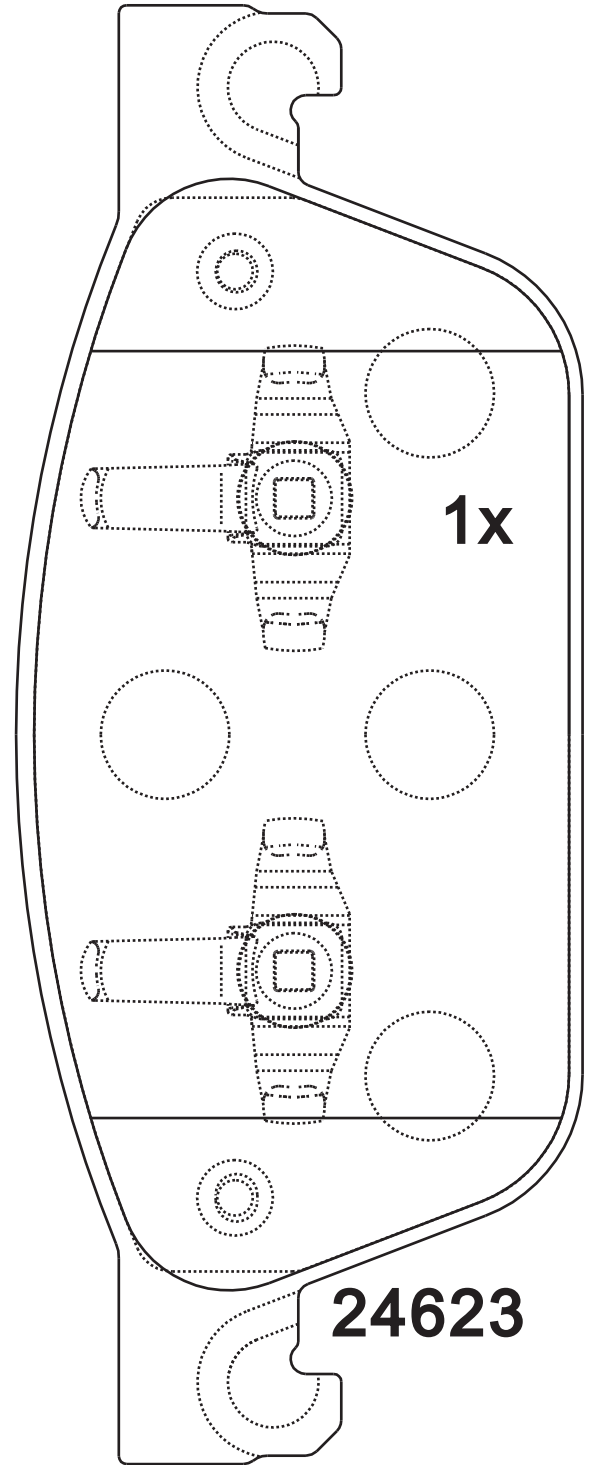
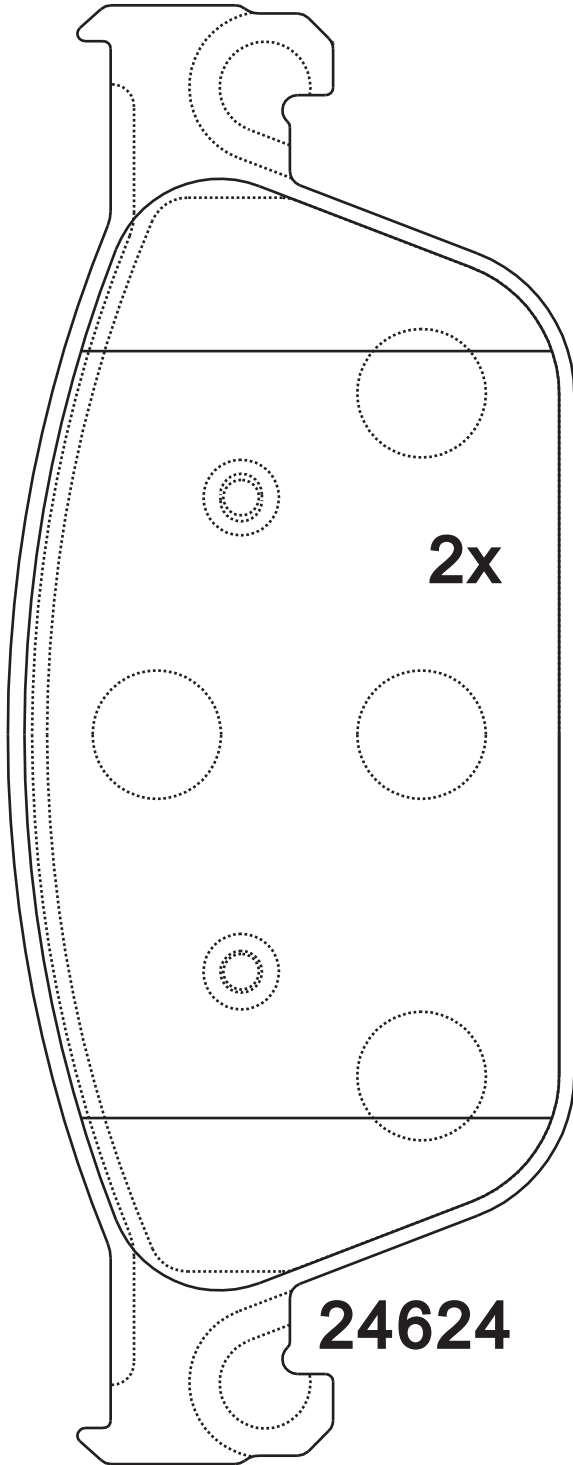
Thickness
(mm)



NOTE

192.9×74.9

18



Next Page.....

SR0998.01

Dimension
(mm)

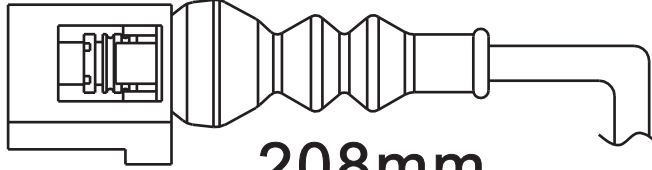
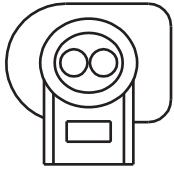
Thickness
(mm)



NOTE

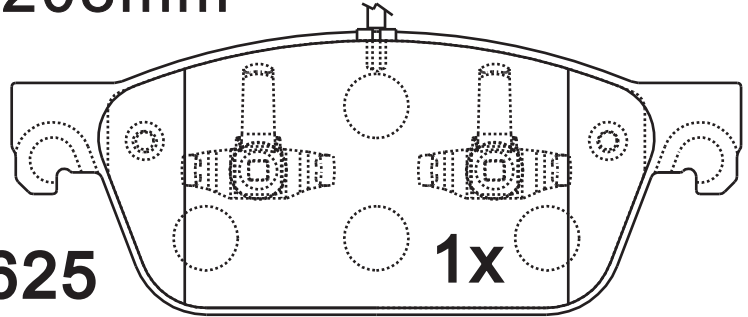
192.9×74.9

18



208mm

24625



1x

Scale : 1:2

Apply for:

Volkswagen Multivan V
Volkswagen Transporter V Bus

2003/04-2015/08
2003/04-2015/08

SR0999.01

Dimension
(mm)

Thickness
(mm)

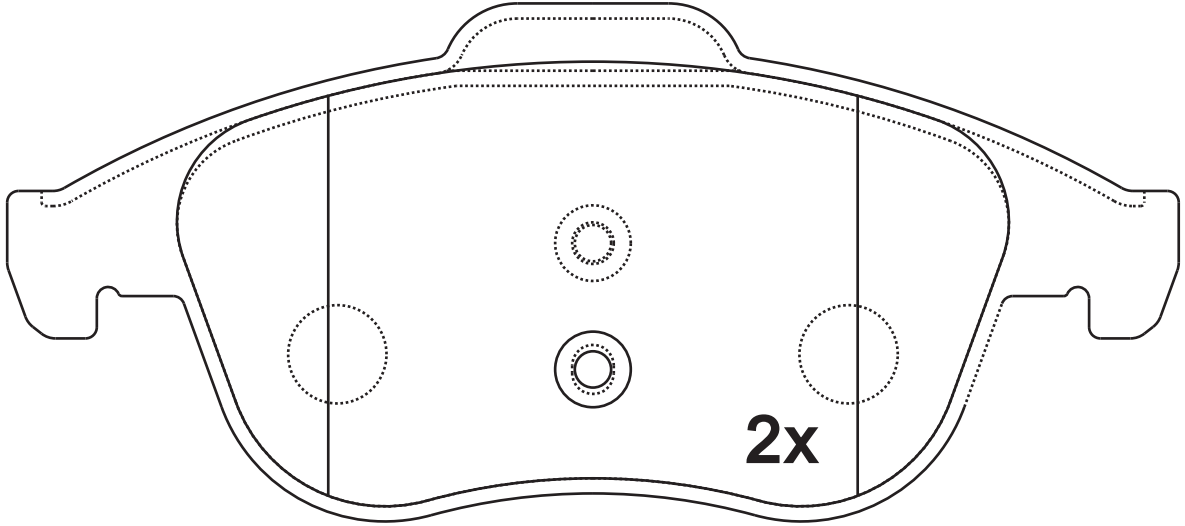


NOTE

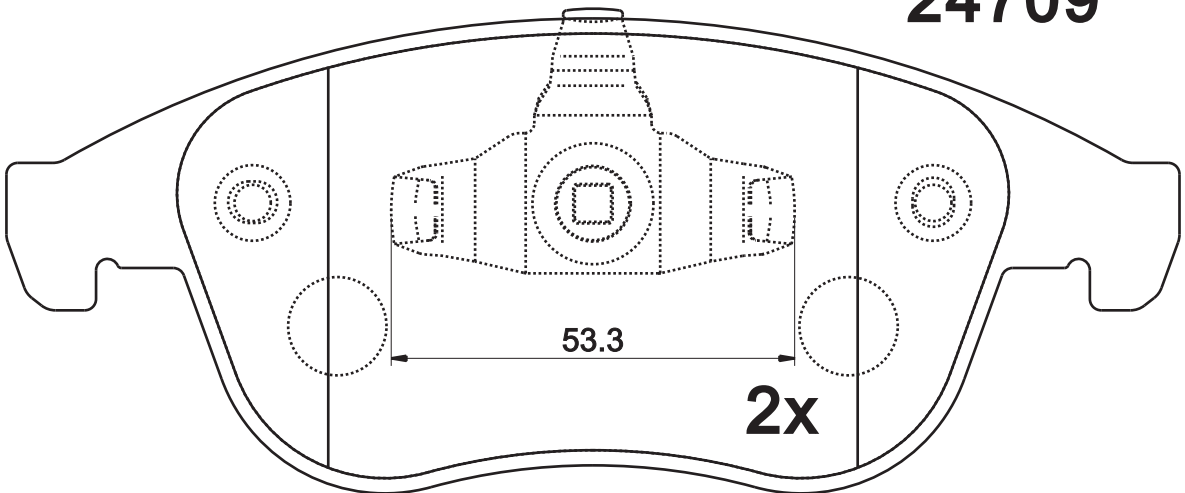
2 identical; 2 identical;

154.9/155.1×68.8/62.8

18.6



24709



24710

Apply for:

Renault Laguna Coupe (DT0/1)

2008/09-

Renault Laguna 三代掀背/两厢车

2007/10-

Renault Laguna 三代旅行车(KT0/1)

2007/10-

SR0999.02

Dimension
(mm)

Thickness
(mm)

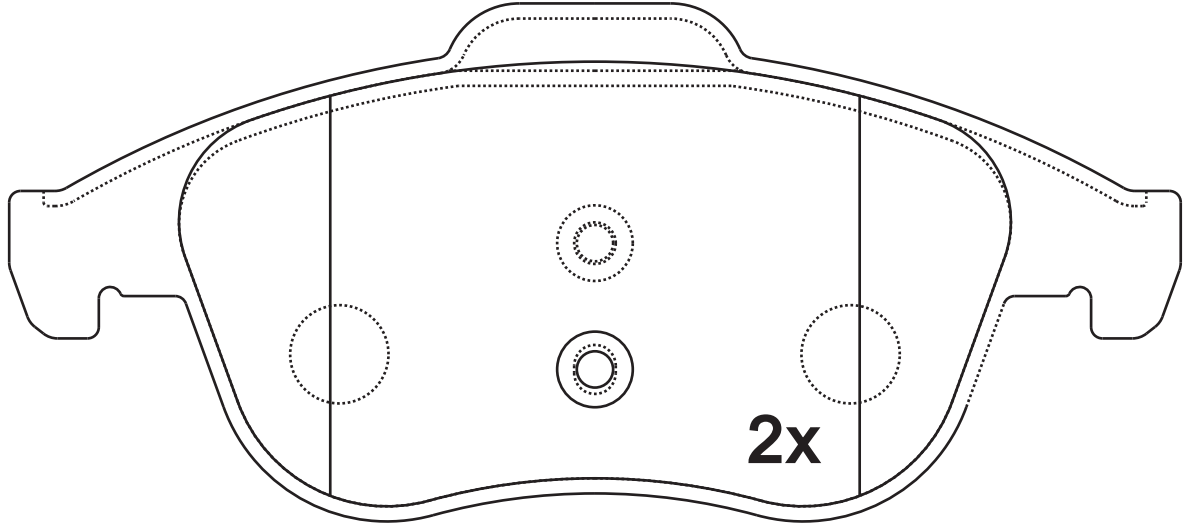


NOTE

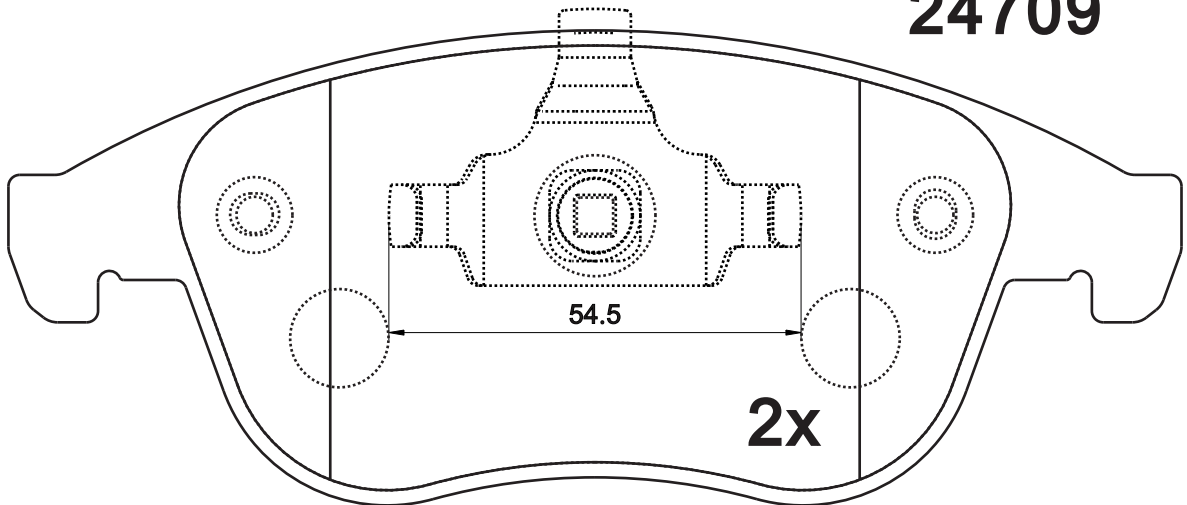
2 identical;2 identical;

154.9/155.1×68.8/62.8

18



24709



24710

Apply for:

Renault Laguna Coupe (DT0/1)


2008/09-

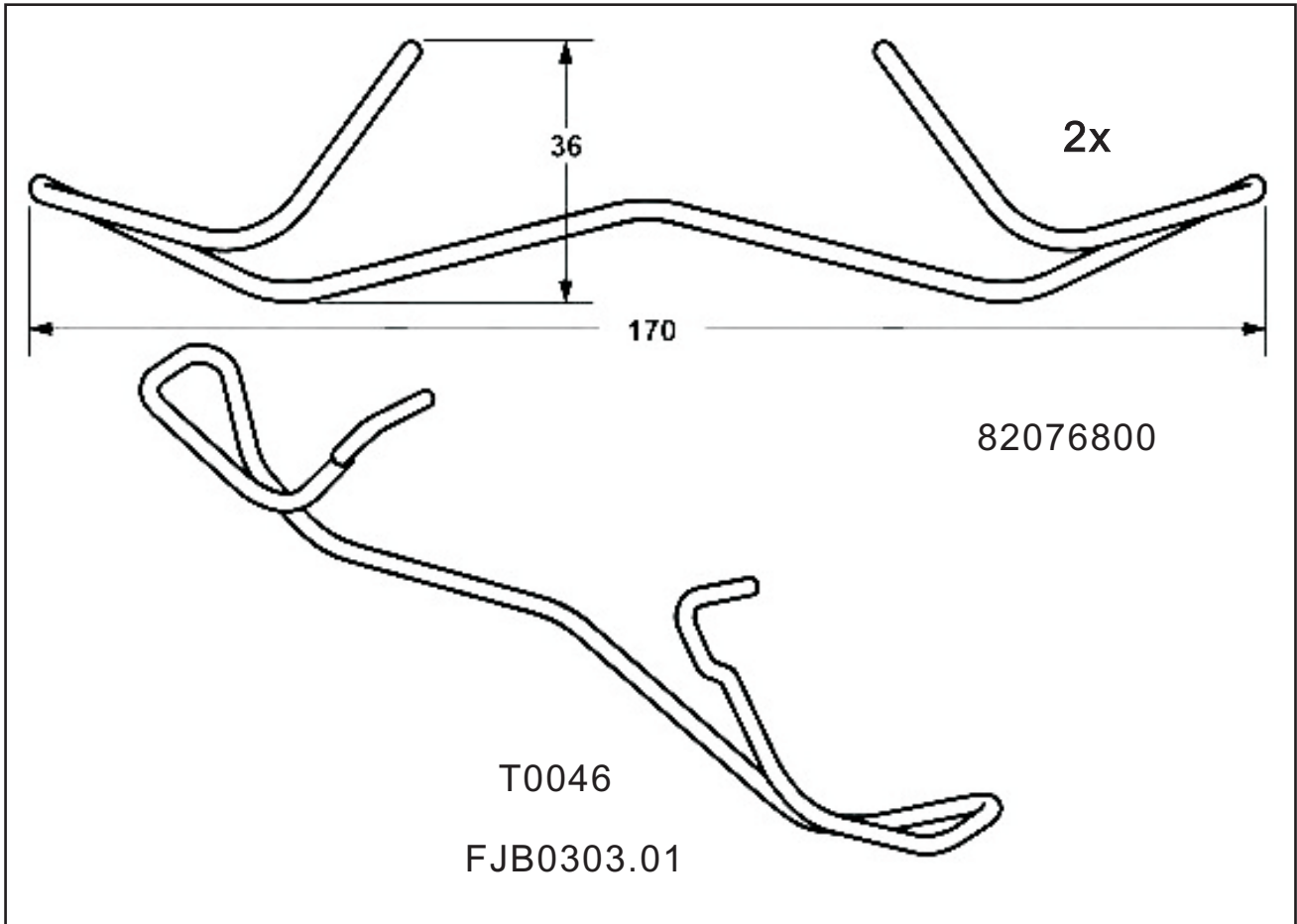
Renault Laguna 三代掀背/两厢车

2007/10-

Renault Laguna 三代旅行车(KT0/1)

2007/10-

SR0999	Dimension (mm)	Thickness (mm)		NOTE
				附件包 Accessory bag



SR1000.01

Dimension
(mm)

Thickness
(mm)

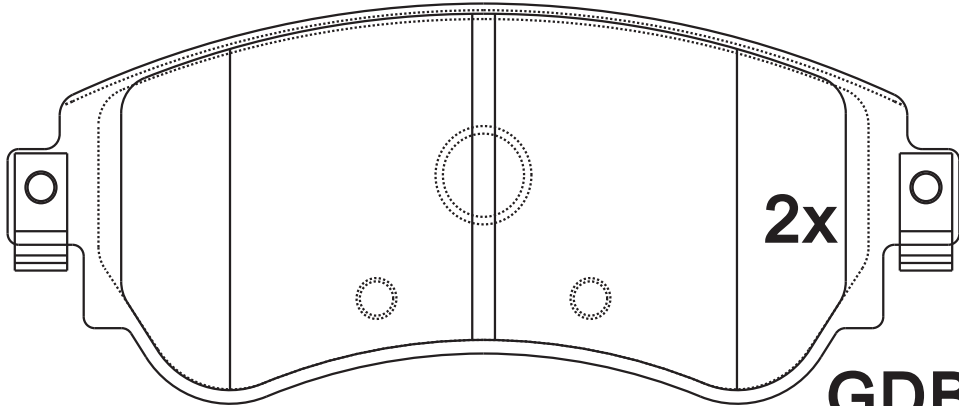


NOTE

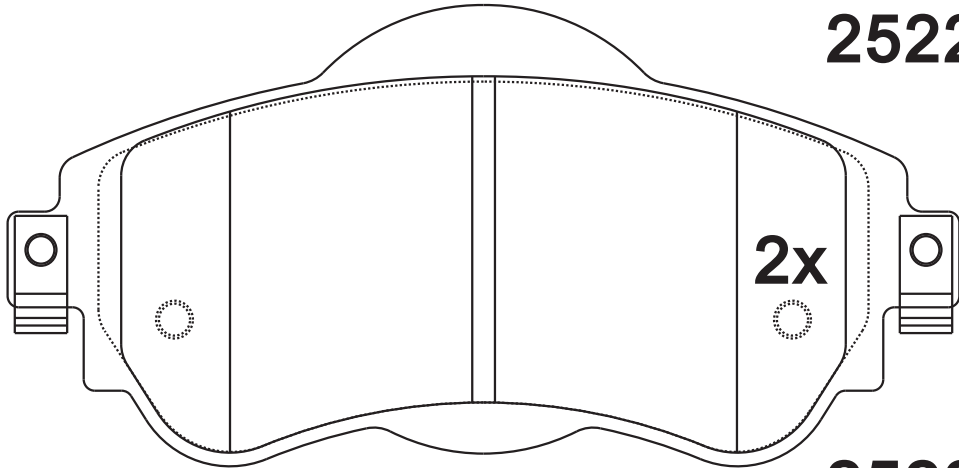
2 identical;2 identical;

129×53/61.2

18.5



**GDB1917
25220**



25221

Apply for:

Citroen C4 li (B7)
Citroen Ds4

2009/02-
2011/03-2015/07

SR1000

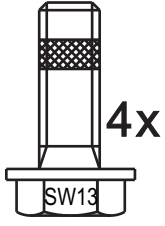
**Dimension
(mm)**

**Thickness
(mm)**

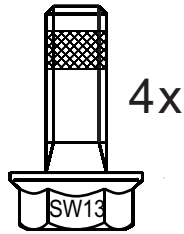


NOTE

**附件包
Accessory bag**



M8X22
L0035
FJB0729.01



M8X22
L0020
FJB0280.01

SR1001.01

**Dimension
(mm)**

131.6×60.3

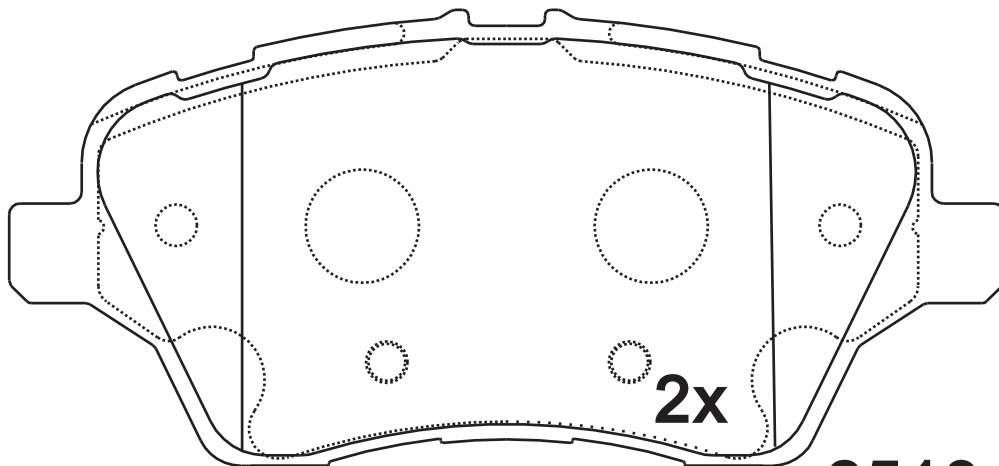
**Thickness
(mm)**

17.2

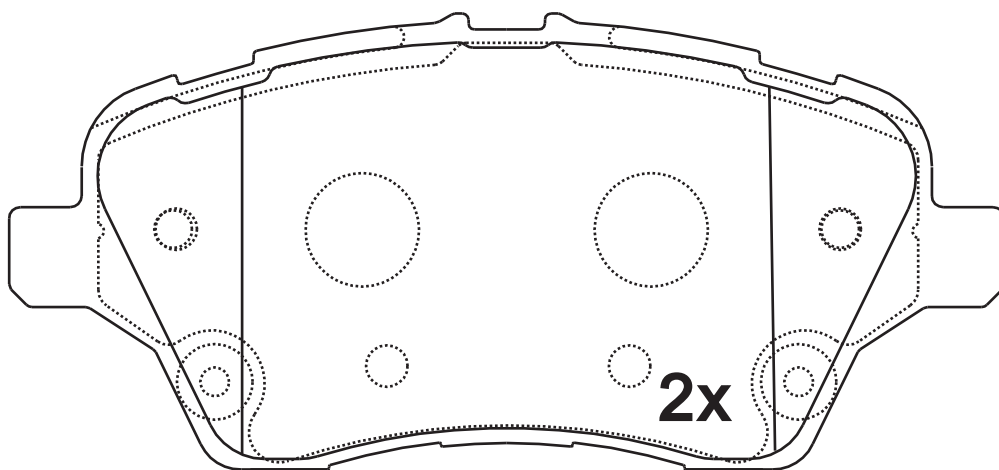


NOTE

2 identical;2 identical;



25134



25135

Apply for:

Ford Fiesta ST

2014

SR1001

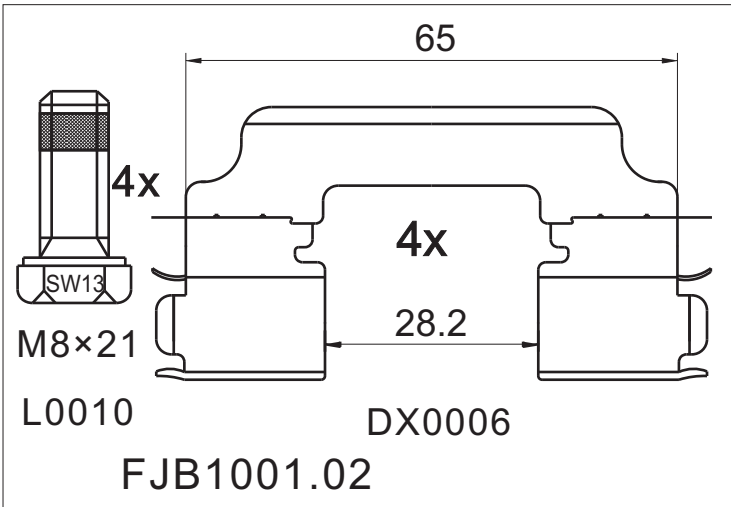
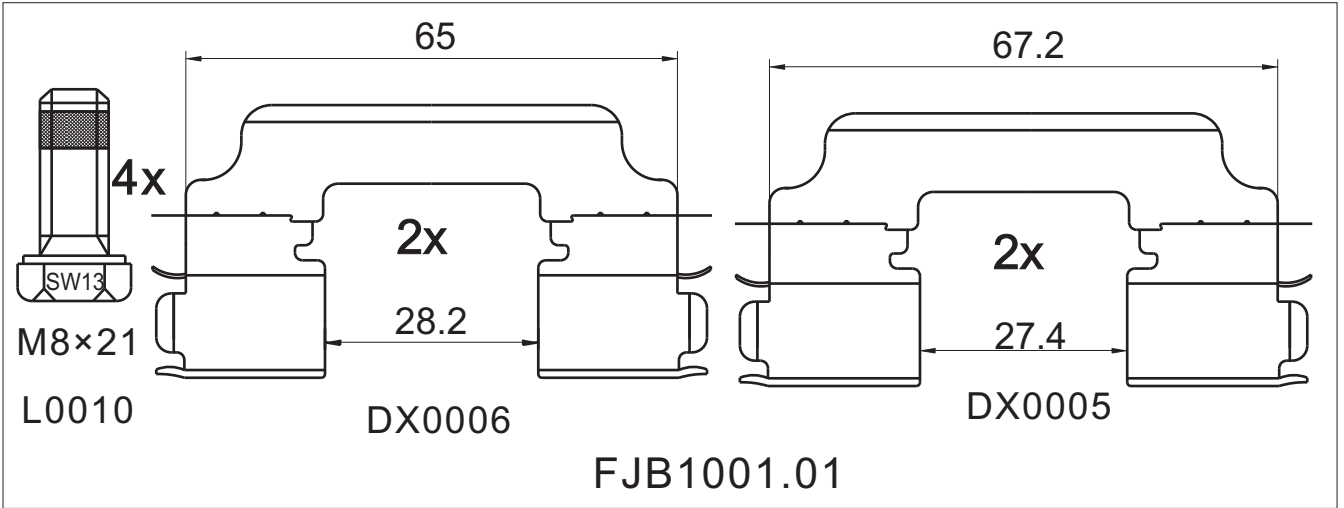
**Dimension
(mm)**

**Thickness
(mm)**





NOTE

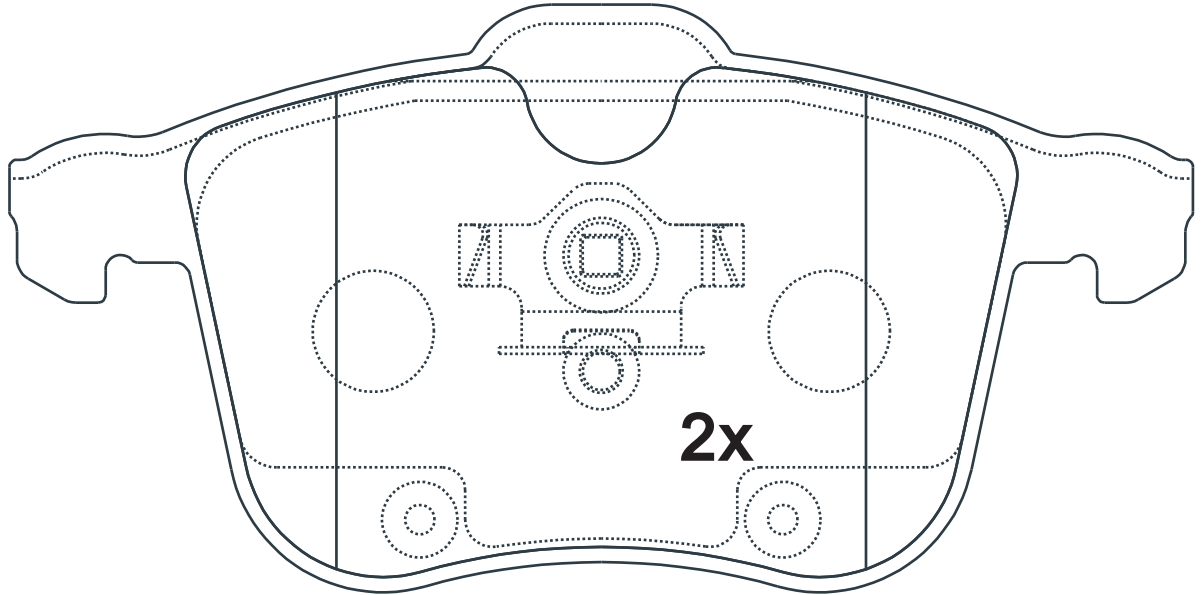
附件包
Accessory bag



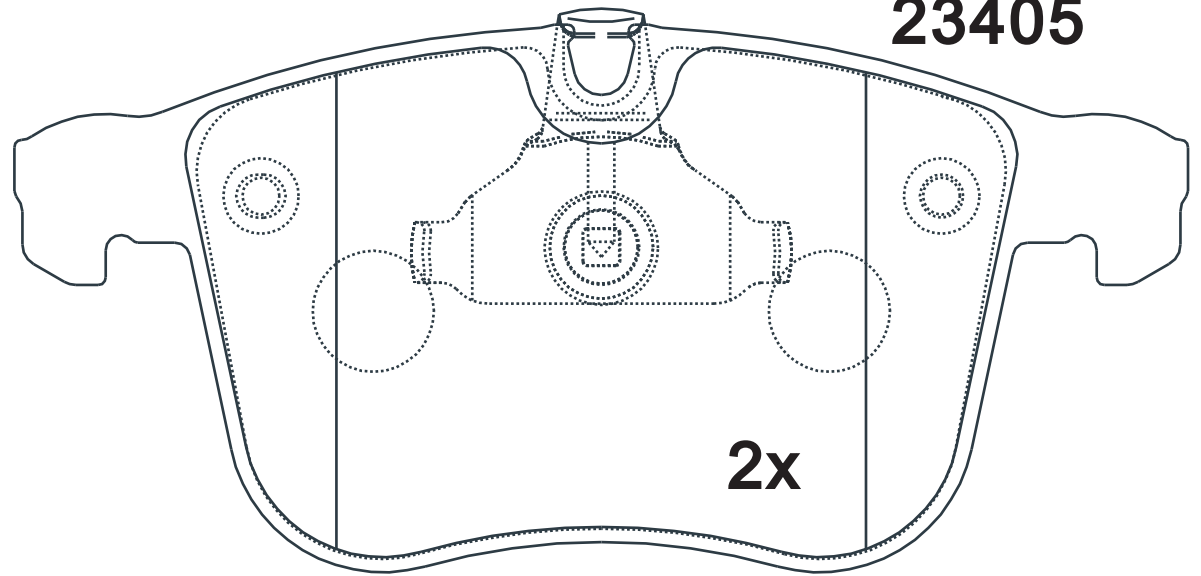
SR1002.01

Dimension (mm)	Thickness (mm)	
155.2/156.5×72.4/77.7	20.4	

NOTE
2 identical;2 identical;



23405



23404

Apply for:

OPEL SIGNUM
SAAB 9-3X Front 314mm Rotor
Vauxhall SIGNUM

2003-
2010-2011
2003-

SR1003.01

**Dimension
(mm)**

113.7×62.7

**Thickness
(mm)**

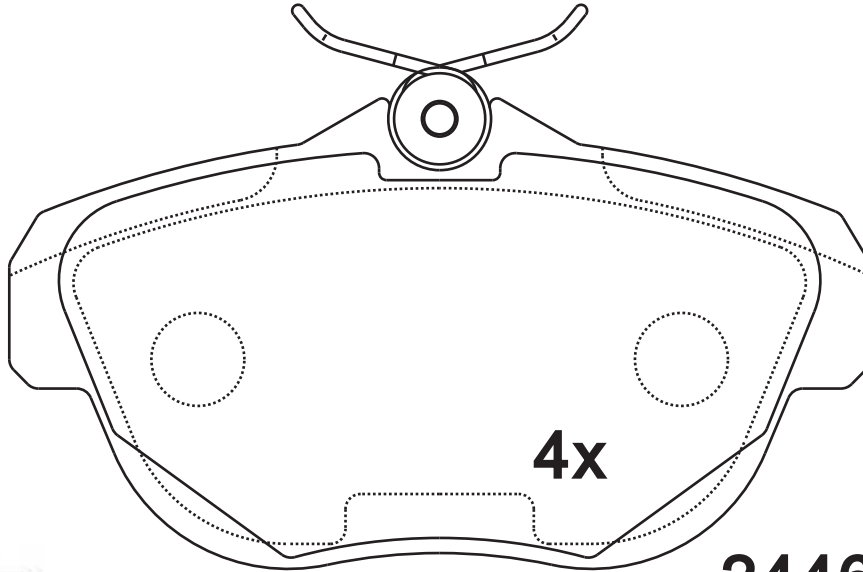
16.7



NOTE

4 identical;

无模具



24462



Apply for:

Citroen C6 (Td_)

2005/09-2012/12

版次: A/3

SR1004.01

**Dimension
(mm)**

114.6×44.7

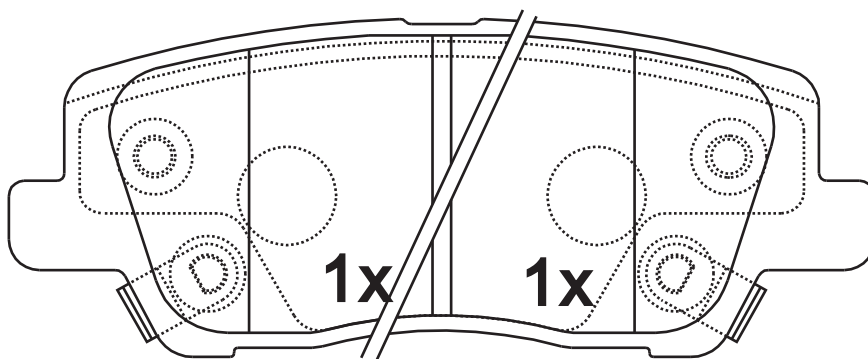
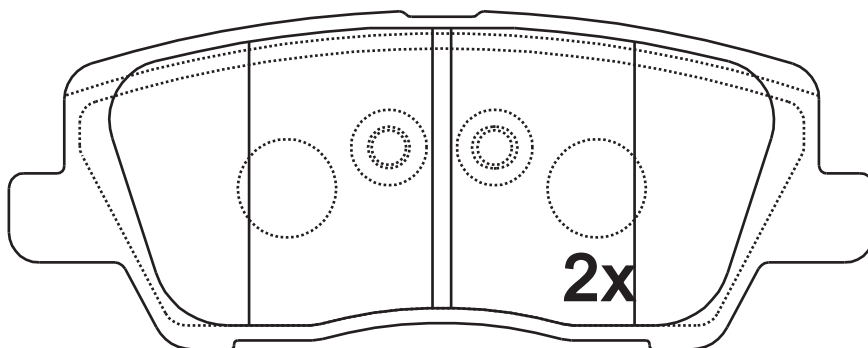
**Thickness
(mm)**

16.4



NOTE

2 identical; 2 identical, 1 with acoustic indicator (left), 1 with acoustic indicator (right).



D1839/D1659 GDB7939

Apply for:

Cadillac ATS 2013/02-
Cadillac ATS Coupe 2013/02-

SR1005.01

**Dimension
(mm)**

176.8×60.3

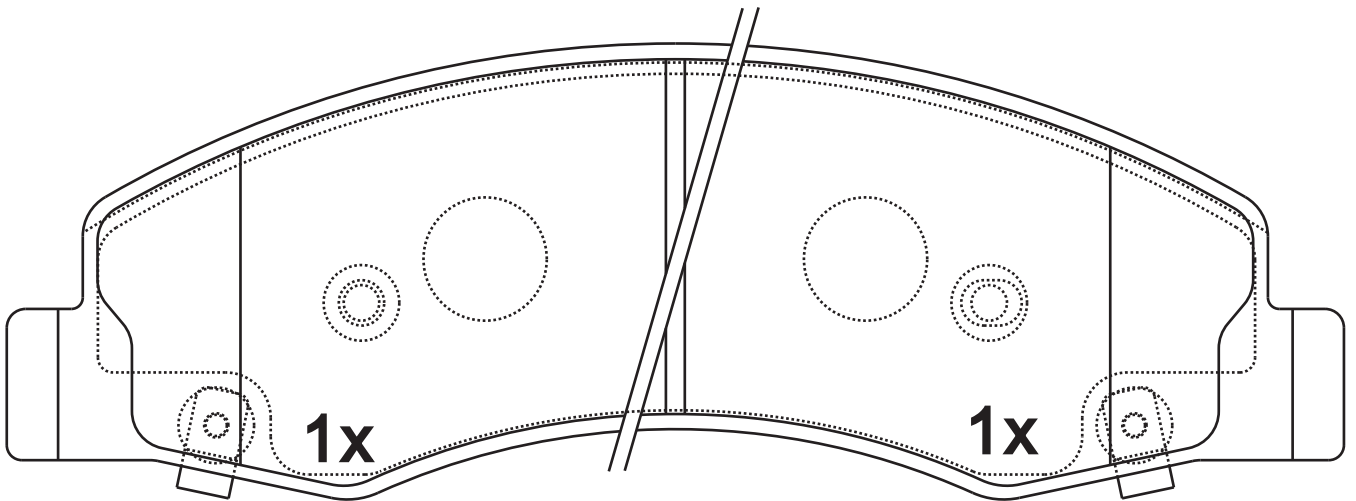
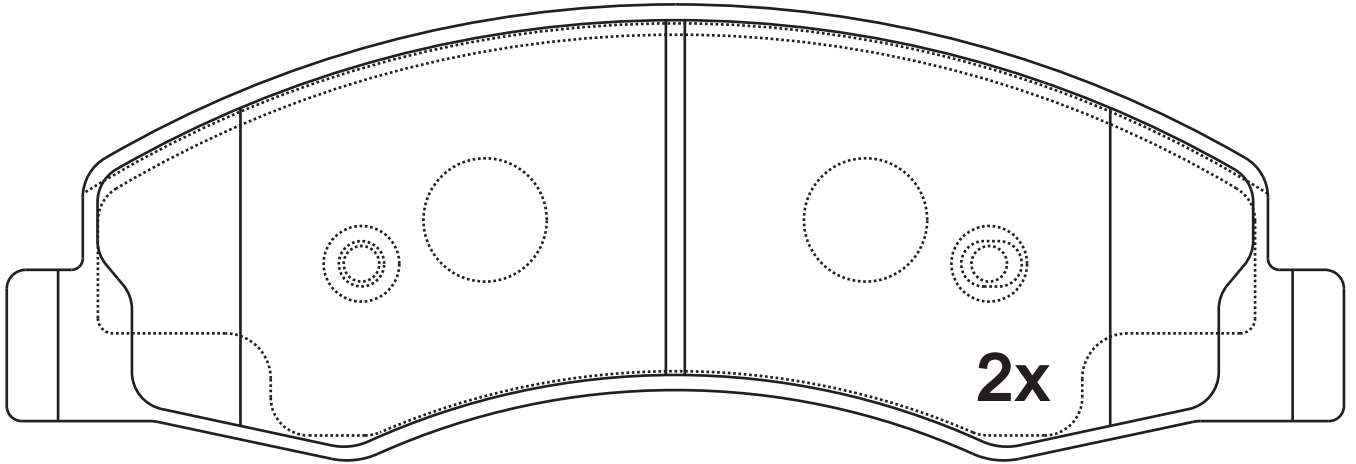
**Thickness
(mm)**

16.3



NOTE

2 identical; 2 identical, 1 with acoustic indicator (left), 1 with acoustic indicator (right).



Apply for:

福田图雅诺

版次: A/3

SR1006.01

**Dimension
(mm)**

187.4×70.1

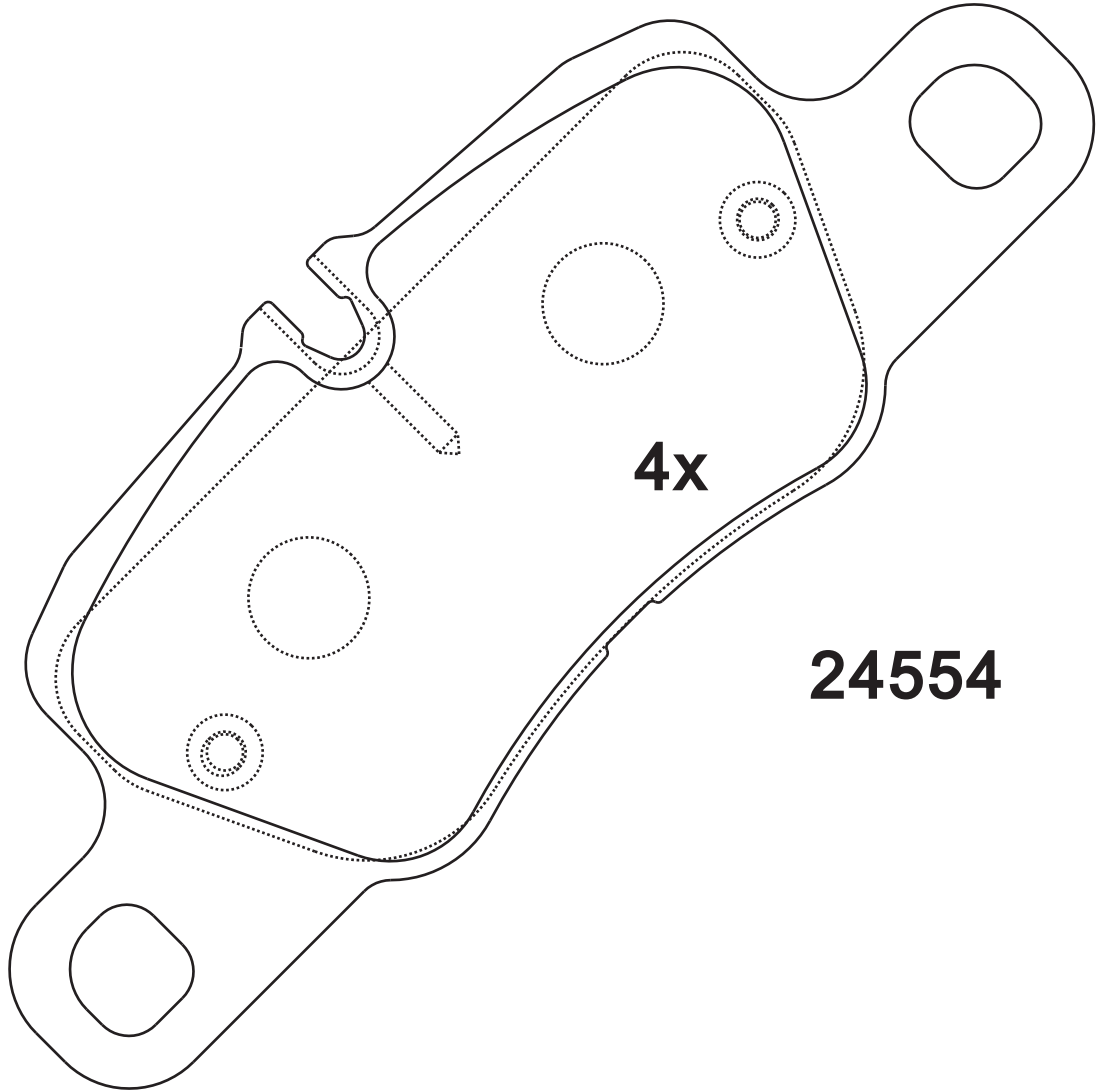
**Thickness
(mm)**

16



NOTE

4 identical;



Apply for:

Porsche 911	2012
Porsche 911 Carrera S	2014
Porsche 911 Carrera S Ceramic	2014
Porsche 911 Ceramic	2012-2014
Porsche Panamera	2010-2014
Porsche Panamera Ceramic	2010-2013

SR1007.01

**Dimension
(mm)**

144.7×56

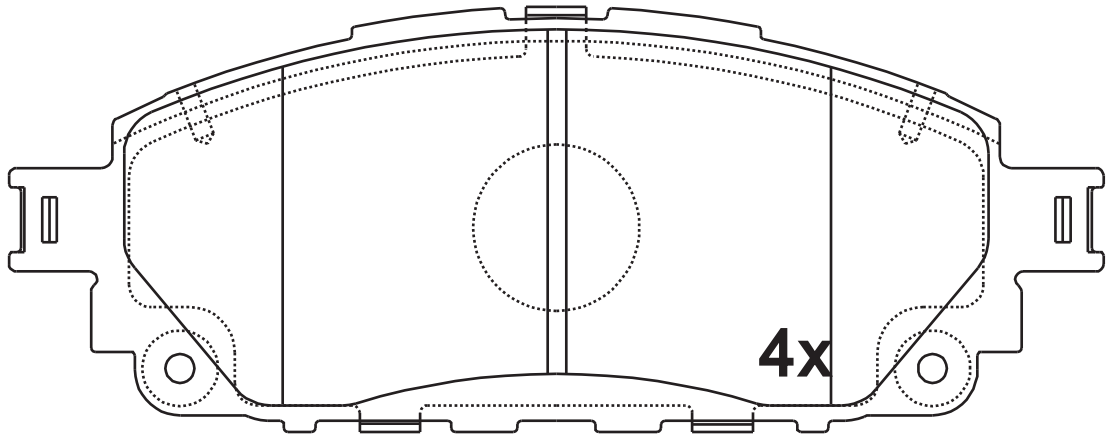
**Thickness
(mm)**

16.2



NOTE

4 identical;




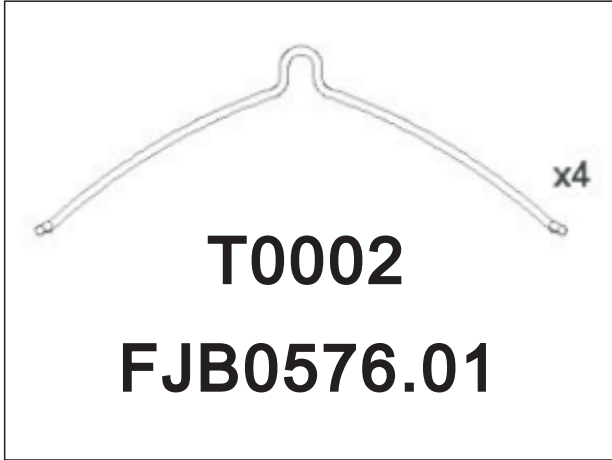
**GDB7996
D2006**

Apply for:



Toyota hi-lux (mexico)

2016-2017

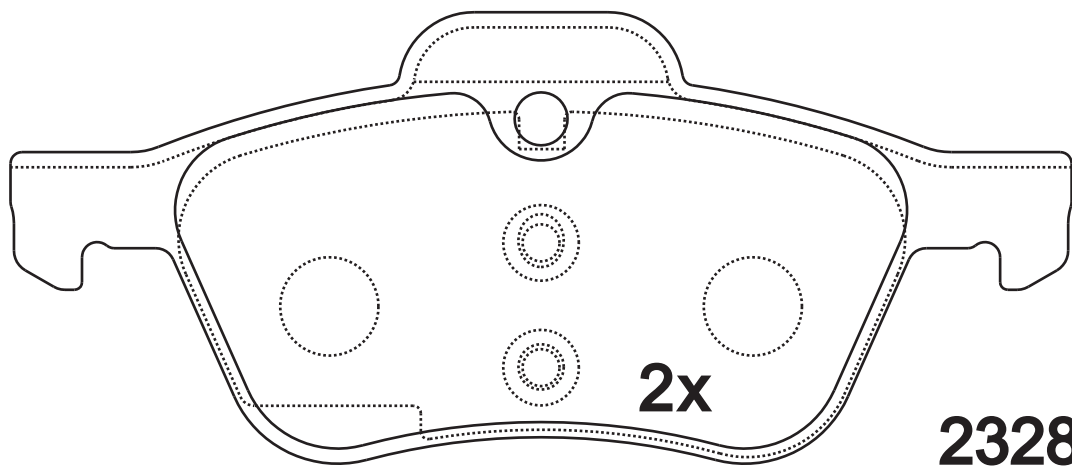
SR1007	Dimension (mm)	Thickness (mm)		NOTE
				附件包 Accessory bag



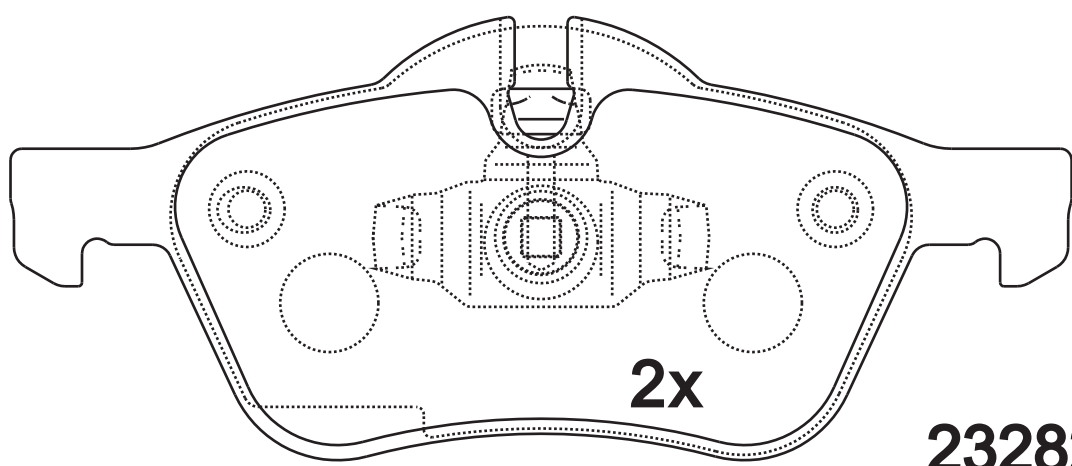
SR1008.01

Dimension (mm)	Thickness (mm)	
140.3×59.7/58.6	18.3	

NOTE
2 identical;2 identical;



23281




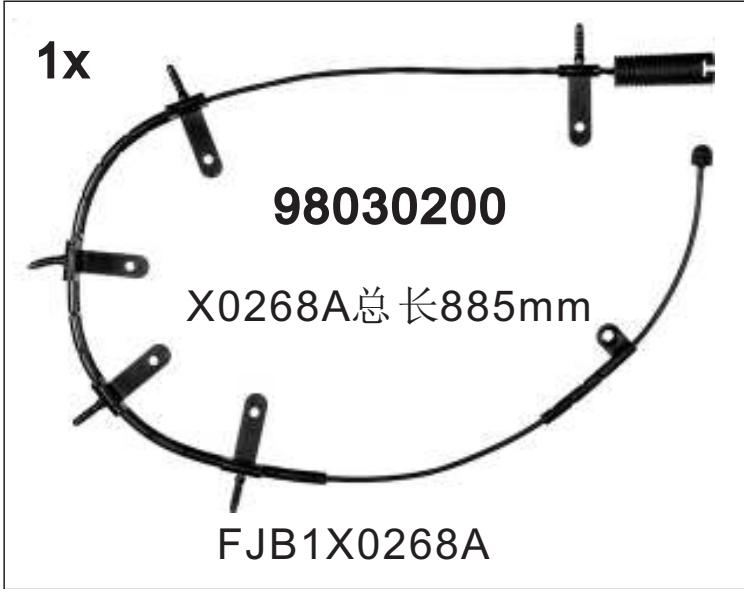
23282

Apply for:

Mini Cooper
Mini Cooper S

2002-2006
2007-2008

SR1008	Dimension (mm)	Thickness (mm)		NOTE
				附件包 Accessory bag



SR1009.01

**Dimension
(mm)**

**Thickness
(mm)**

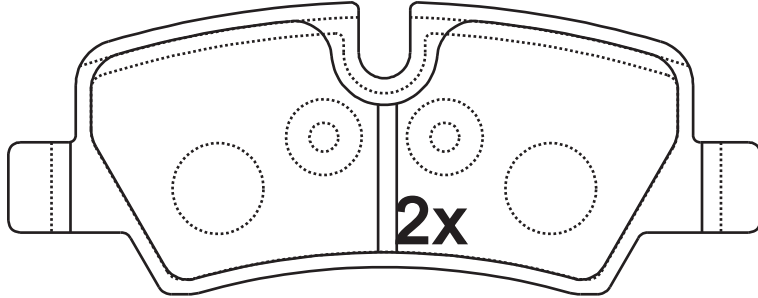


NOTE

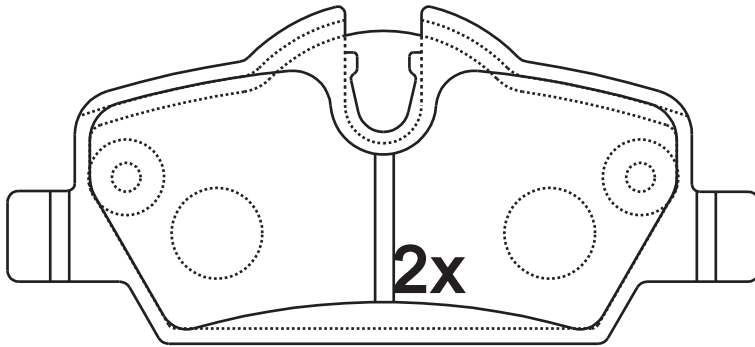
2 identical;2 identical;

99.6×44.7/38.9

16.8



25981




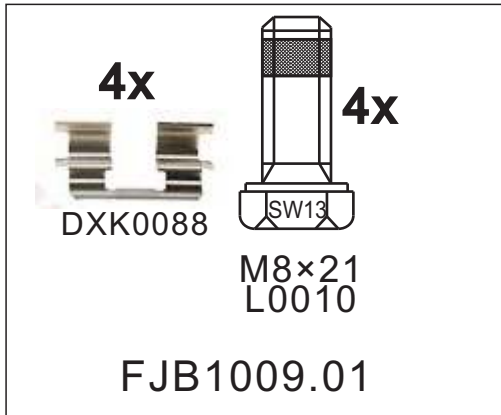
25980

Apply for:

MINI Cooper 1.5 Liter
MINI Cooper S 2.0 Liter

2015-
2015

SR1009	Dimension (mm)	Thickness (mm)		NOTE



SR1010.01

**Dimension
(mm)**

131.6×60.6

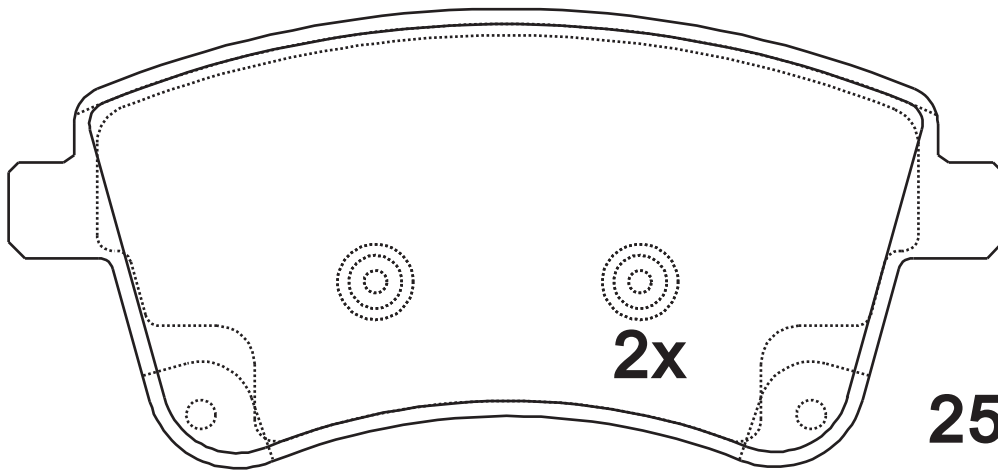
**Thickness
(mm)**

19.4

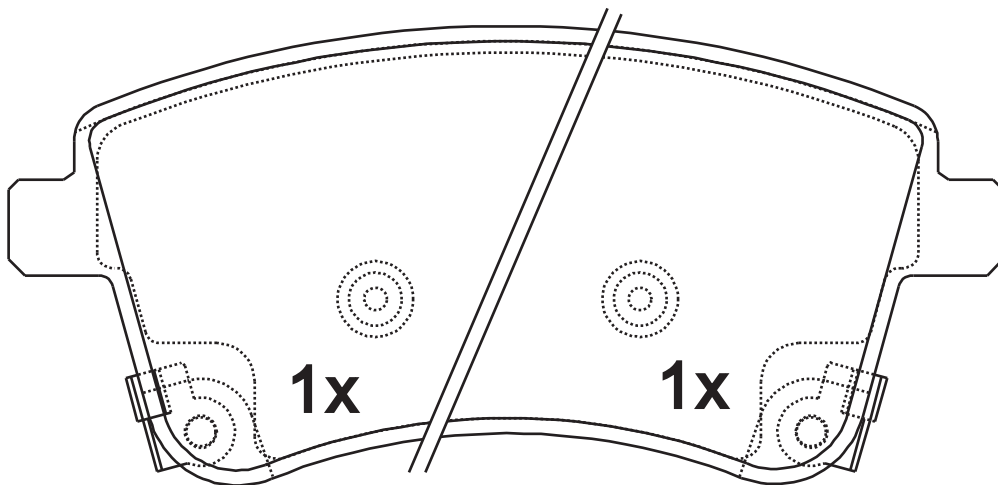


NOTE

4 identical, 1 with acoustic indicator (left), 1 with acoustic indicator (right).



25184



25186

25185

Apply for:

Kia Venga (Yn)

2010/02-

SR1010

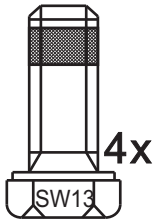
**Dimension
(mm)**

**Thickness
(mm)**



NOTE

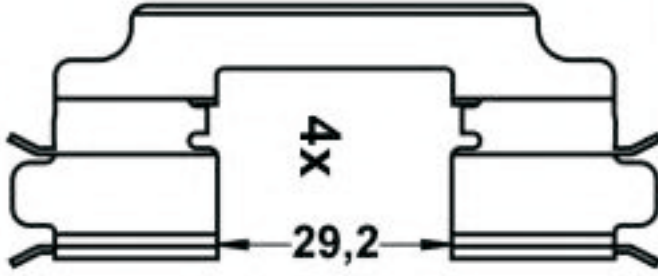
附件包
Accessory bag



4x

M8×21

L0010



4x

29,2

DXK0049*4

FJB1010.01

SR1011.01

**Dimension
(mm)**

110.4×41

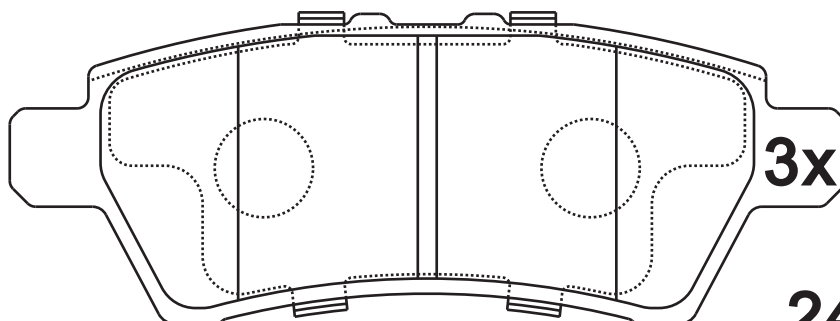
**Thickness
(mm)**

16.3

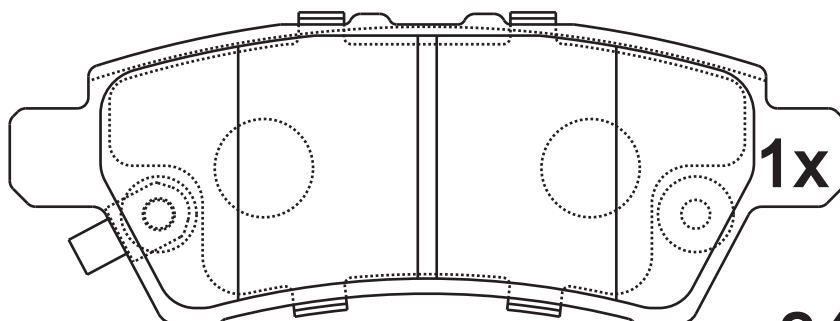


NOTE

**4 identical, 1 with
acoustic indicator(left).**



24240



24242

Apply for:

NISSAN Pathfinder 2005-2007

NISSAN Pathfinder 4.0 Liter 2008-2012

NISSAN Pathfinder 5.6 Liter 2008-2012

NISSAN Xterra 2006-2007

SR1012.01

**Dimension
(mm)**

166.5×62

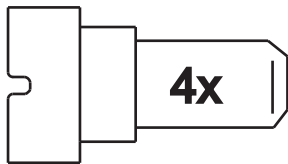
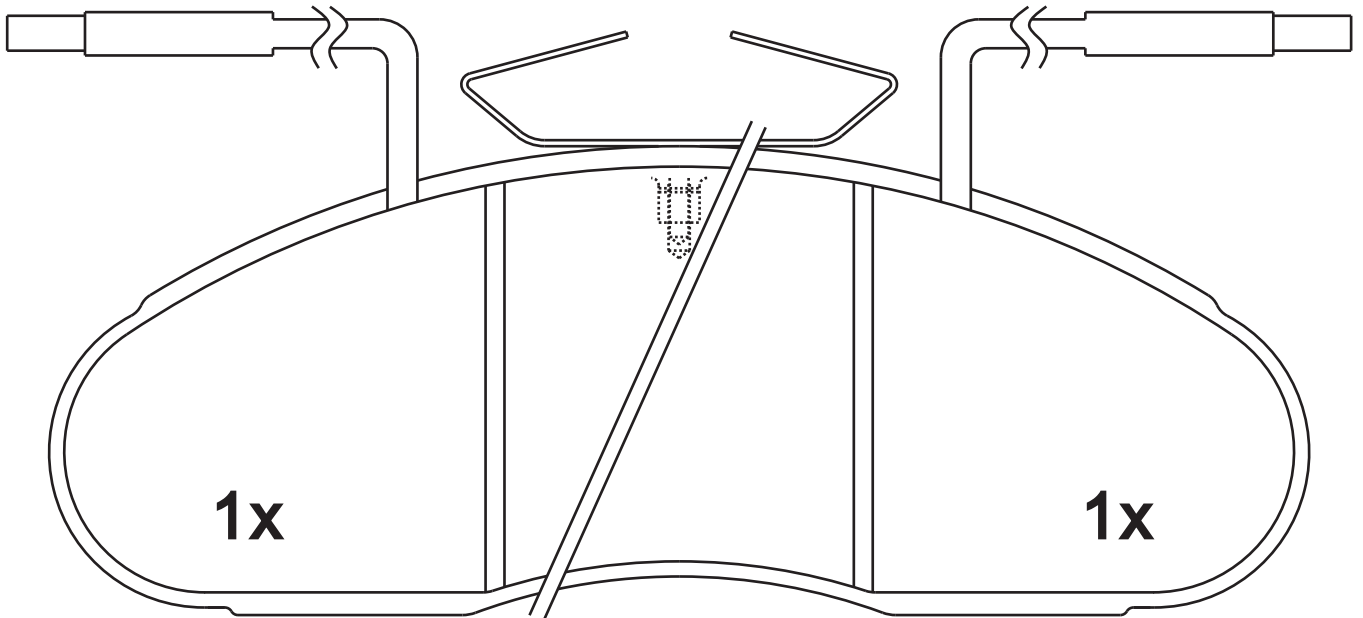
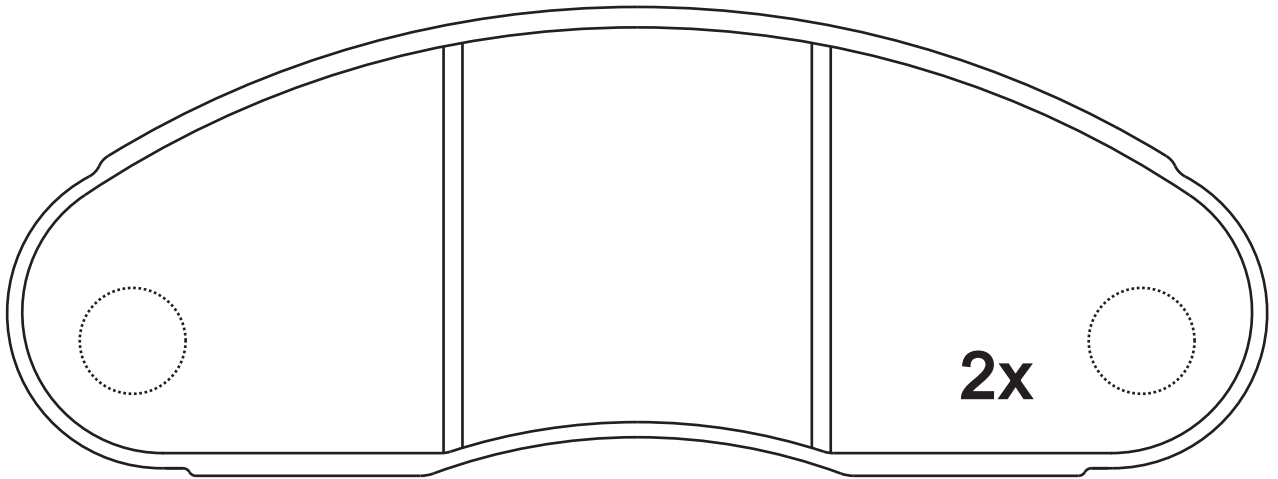
**Thickness
(mm)**

17



NOTE

2 identical; 2 identical;





**29985 29984
29071 20984**

Apply for:

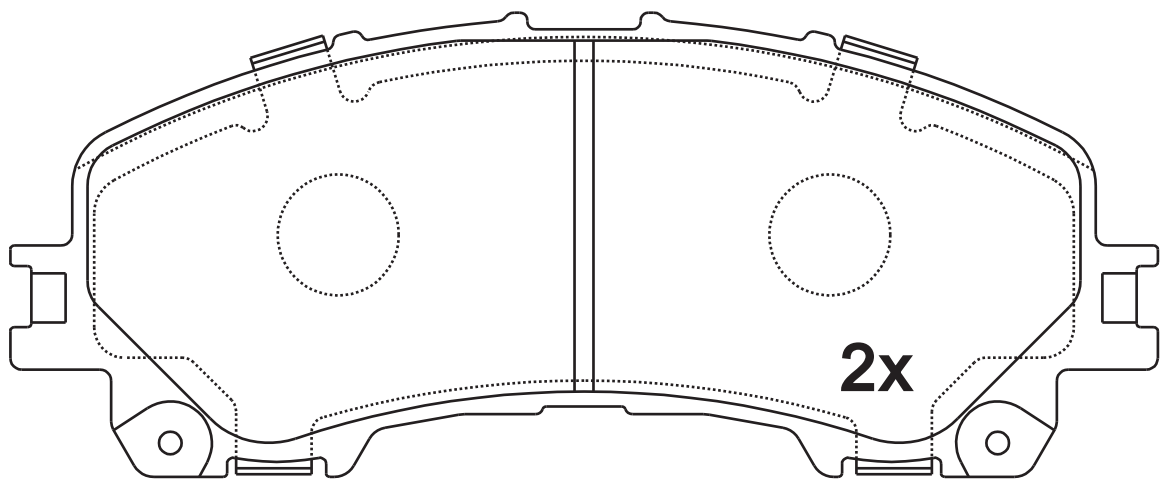
Nissan Trade
Renault B

1987/01-2000/01
1983/01-1995/01

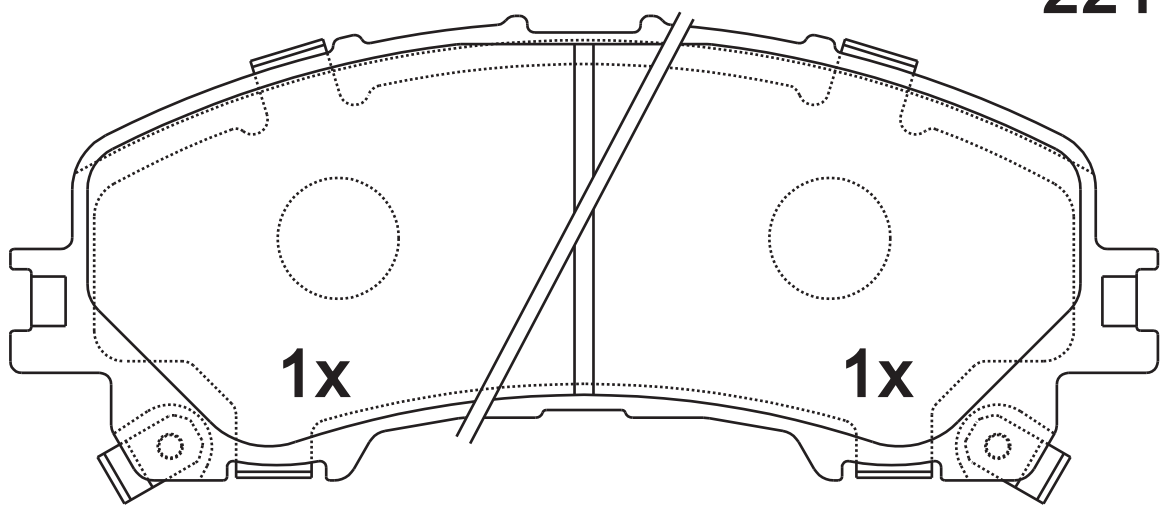
SR1013.01

Dimension (mm)	Thickness (mm)	
151.7X61.4	15.8	

NOTE
4 identical, 1 with acoustic indicator (left), 1 with acoustic indicator (right).



22117



22118

22119

Apply for:

Rogue 3 Row Seating 2014

英菲尼迪Q50 2014

SR1014.01

**Dimension
(mm)**

133.6X88

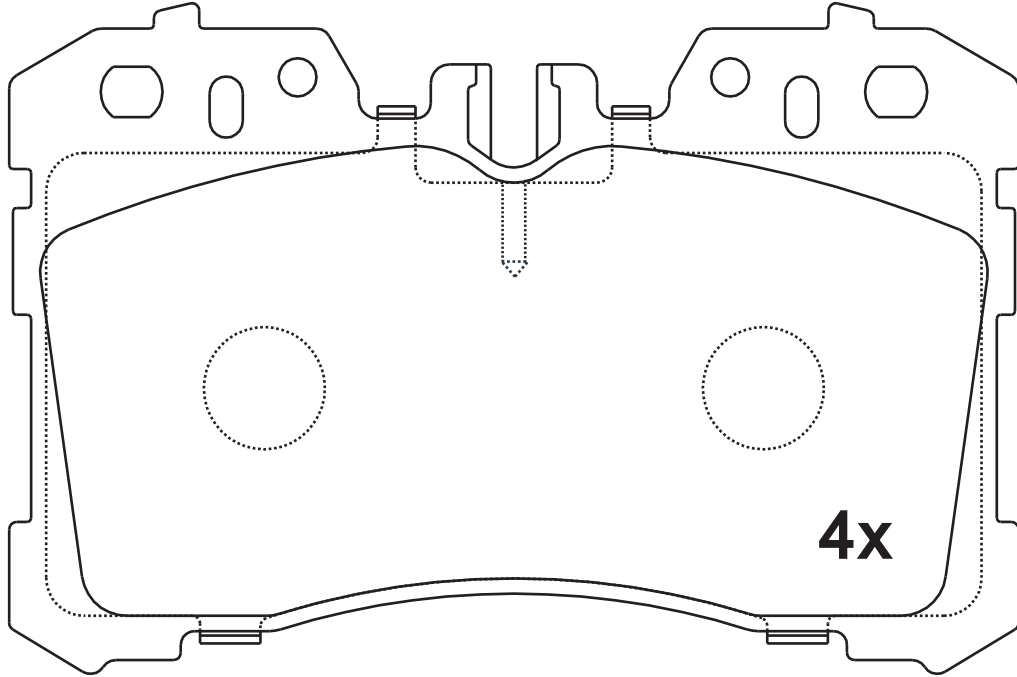
**Thickness
(mm)**

18.5



NOTE

4 identical;



GDB3473



Apply for:

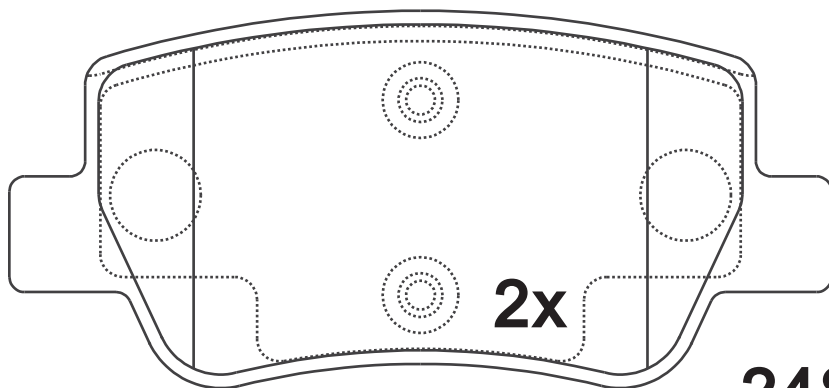
LS (USF40,USF41) [2006-]

LS460 2007-2014

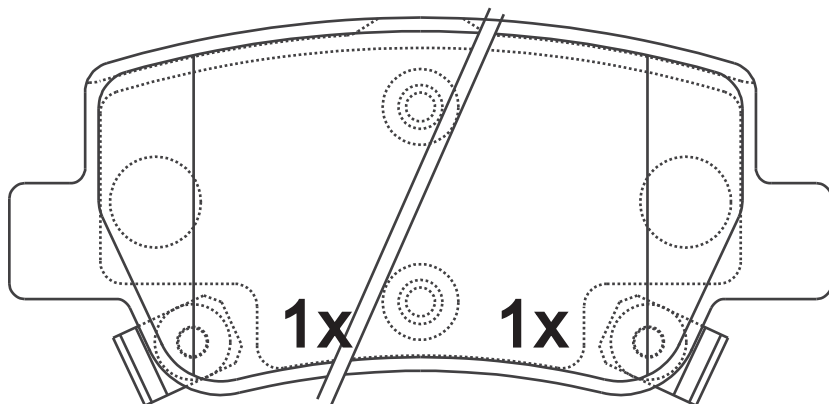
LS600h 2008-2014

SR1015.01

Dimension (mm)	Thickness (mm)		NOTE
108.7X49.9	16.5		4 identical, 1 with acoustic indicator (left), 1 with acoustic indicator (right).



24885




24887

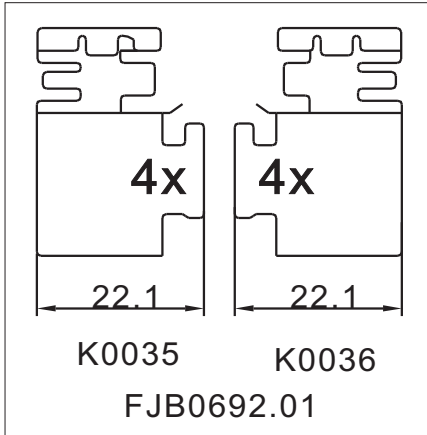
24886

Apply for:



Toyota Avensis Estate (_T27_)

2009/02-

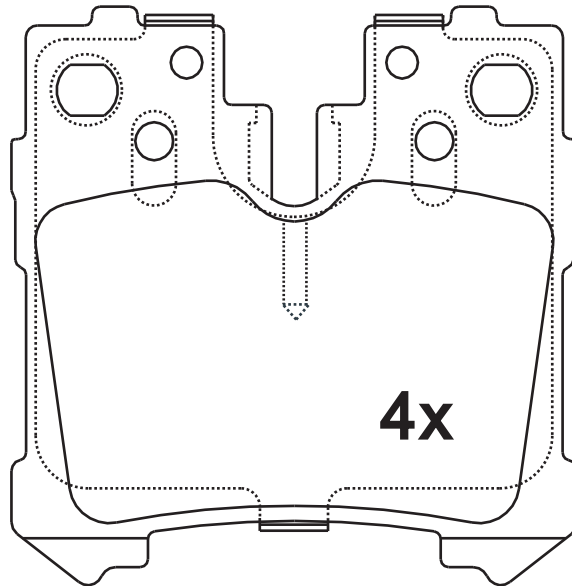
SR1015	Dimension (mm)	Thickness (mm)		NOTE 附件包 Accessory bag



SR1016.01

Dimension (mm)	Thickness (mm)	
75X76.7	18.5	

NOTE
4 identical;



24244

Apply for:

- LS (USF40,USF41) [2006-]
- LS460 2007-2014
- LS460 Sport 2010-2013
- LS600h 2008-2014

SR1017.01

**Dimension
(mm)**

157X53.3

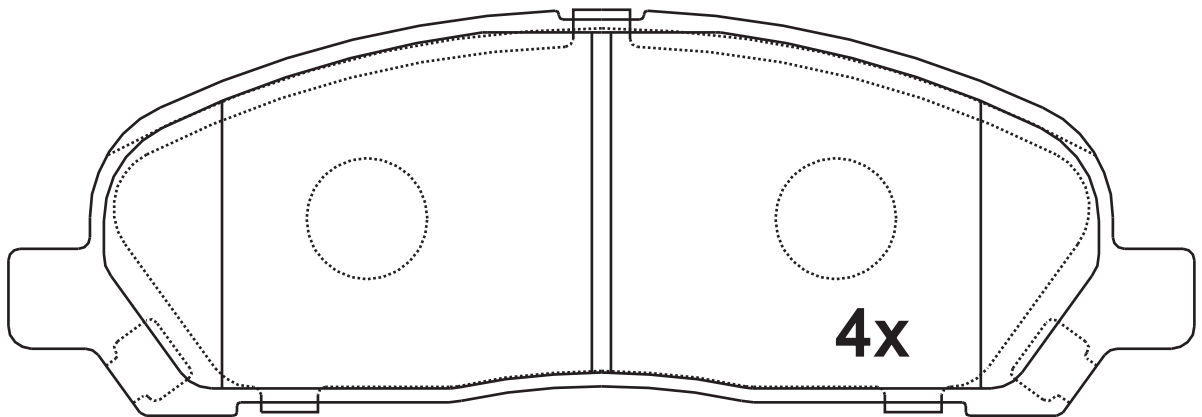
**Thickness
(mm)**

16



NOTE

4 identical;



B0038

GDB7113

Apply for:
Mitsubishi Chariot Grandis
Toyota Kluger V
Toyota Harrier

1997/10-2002/04
2005/03-
2005/03-

SR1018.01

**Dimension
(mm)**

116.8×48.8

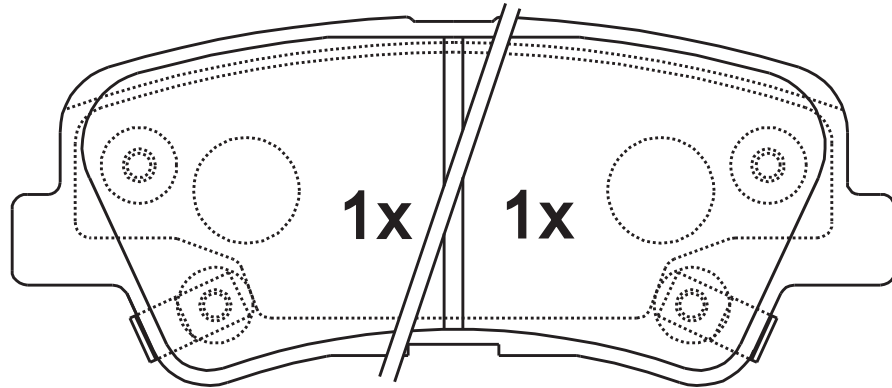
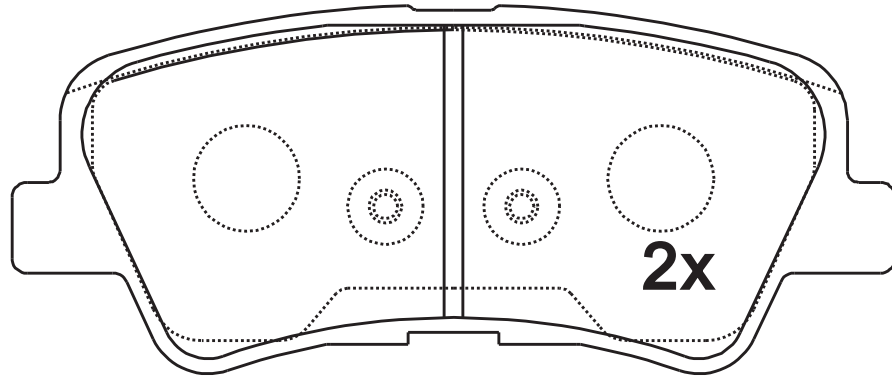
**Thickness
(mm)**

16.2



NOTE

2 identical; 2 identical,
1 with acoustic indicator
(right), 1 with acoustic
indicator (left).



D2021

Apply for:

Saic Motor Maxus G10 (China)

2014

SR1019.01

**Dimension
(mm)**

184.5X65.4

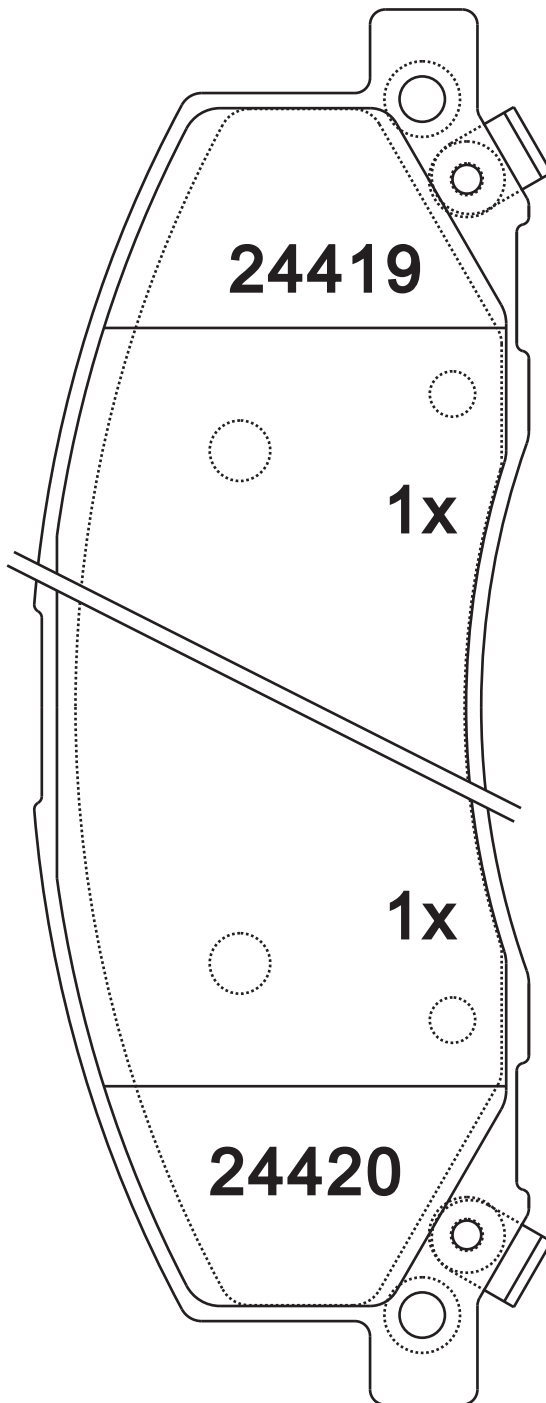
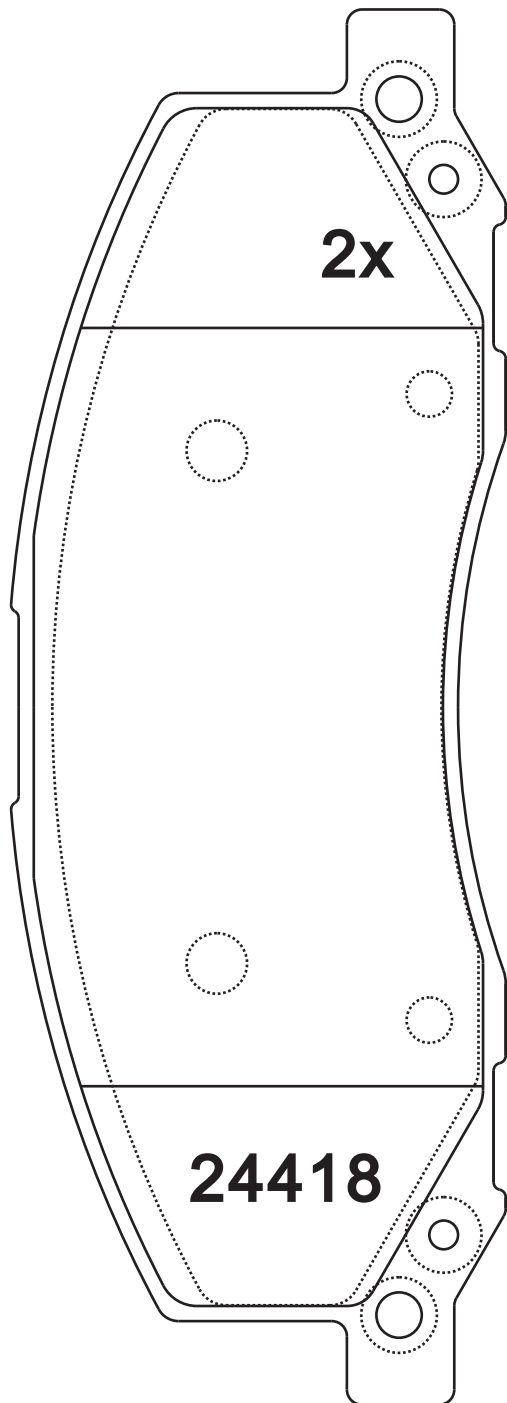
**Thickness
(mm)**

17



NOTE


2 identical; 2 identical,
1 with acoustic indicator
(right), 1 with acoustic
indicator(left).

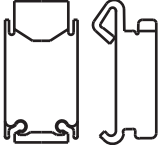


Apply for:

Vauxhall Insignia Mk I (A) Hatchback (G09)

2008/07-2017/05

SR1019	Dimension (mm)	Thickness (mm)		NOTE



8x

Dx0077

FJB1019.01

SR1020.01

**Dimension
(mm)**

116.8X49.8

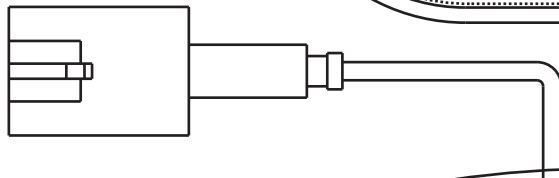
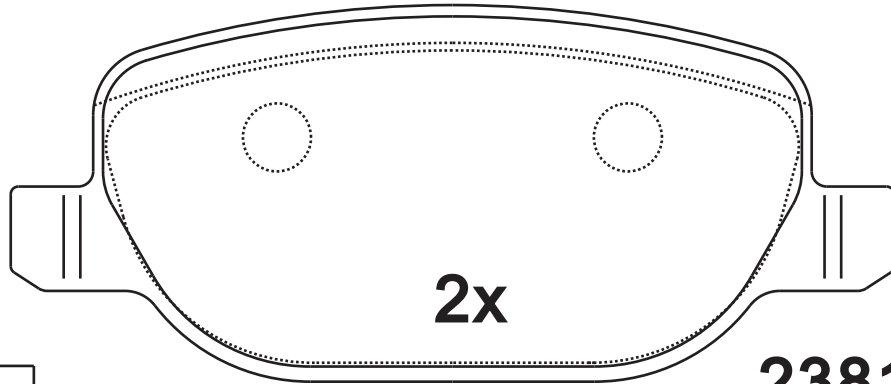
**Thickness
(mm)**

17.7



NOTE

2 identical; 2 identical, 1 with acoustic indicator (left), 1 with acoustic indicator (right).



Apply for:

Alfa Romeo Giulietta (940)

2010/04-

SR1020.02

**Dimension
(mm)**

116.8X49.8

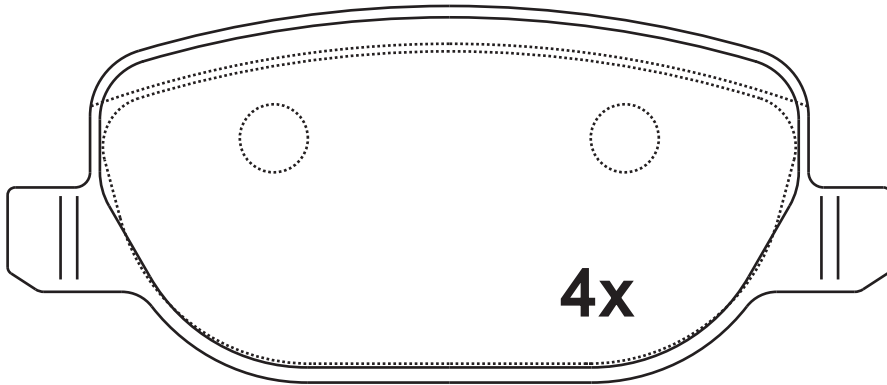
**Thickness
(mm)**

17.7



NOTE

4 identical



23760

Apply for:

Alfa Romeo 159 (939_)

Lancia Thesis (841_)

2005/06-2012/12

2002/07-2009/07

SR1020

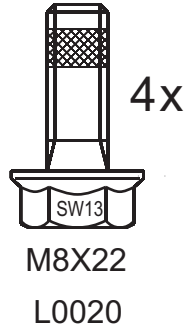
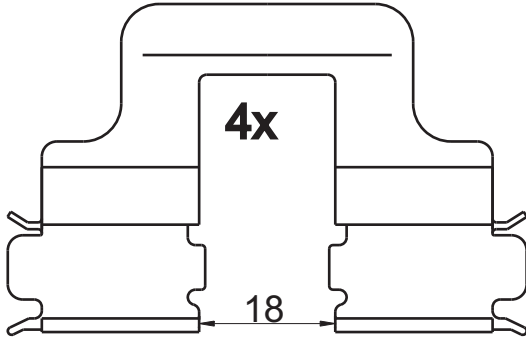
**Dimension
(mm)**

**Thickness
(mm)**



NOTE

附件包
Accessory bag



SR1021.01

**Dimension
(mm)**

155X64.5

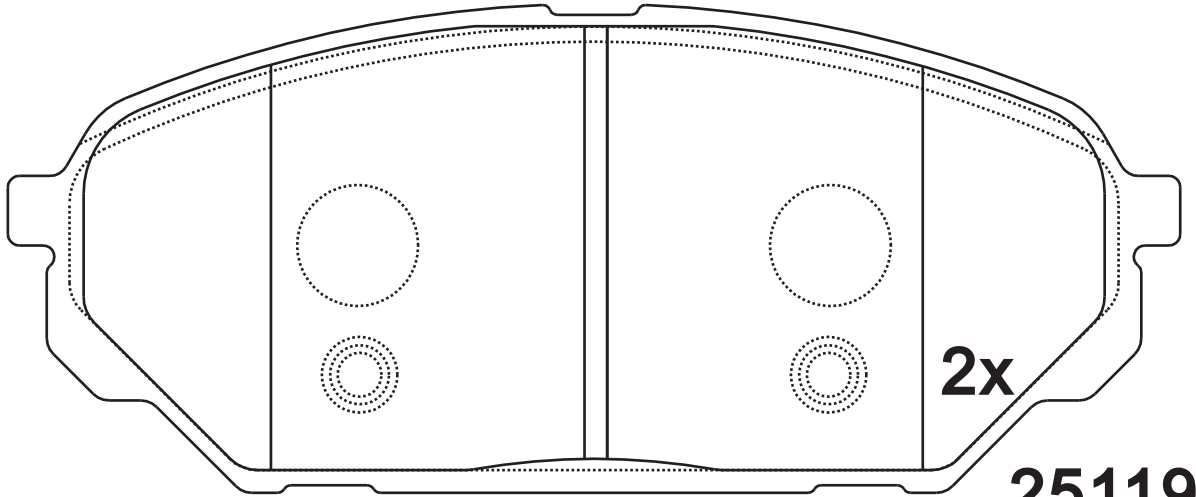
**Thickness
(mm)**

17.3

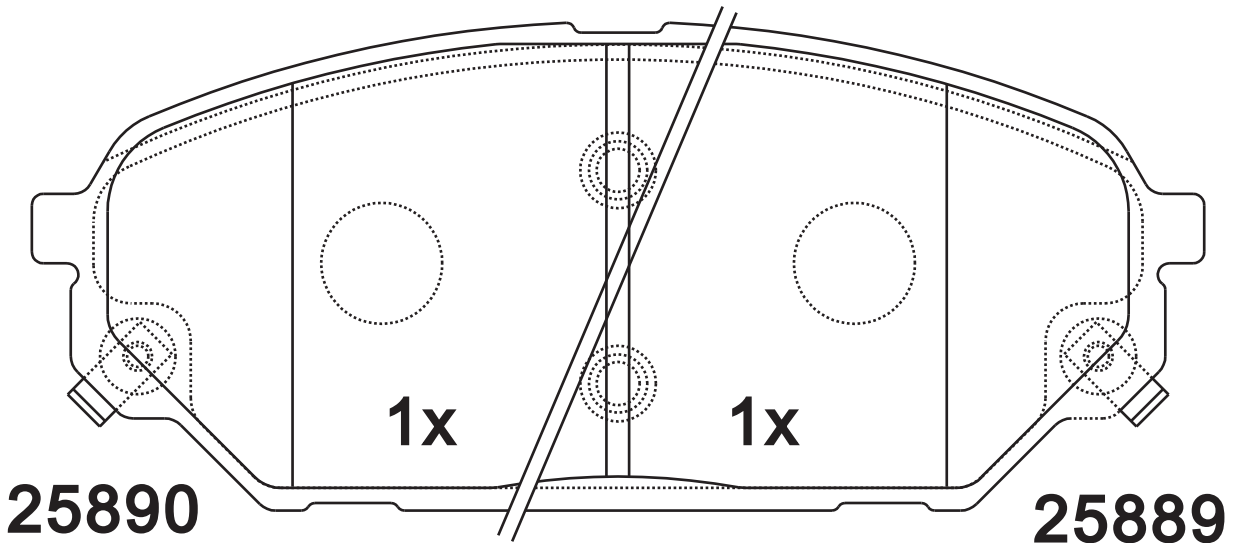


NOTE

2 identical; 2 identical, 1 with acoustic indicator (left), 1 with acoustic indicator (right).




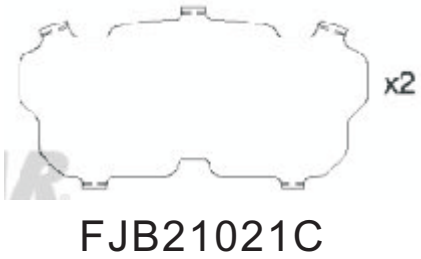
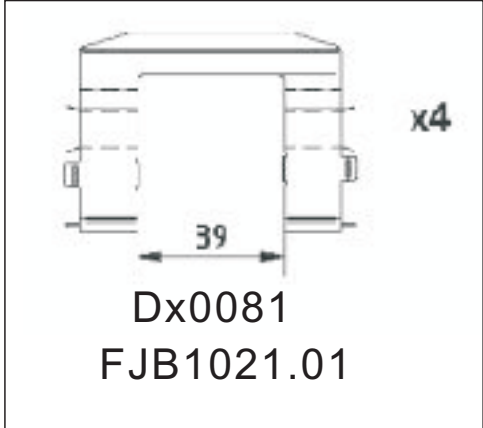
25119





Apply for:

HYUNDAI veracruz V6

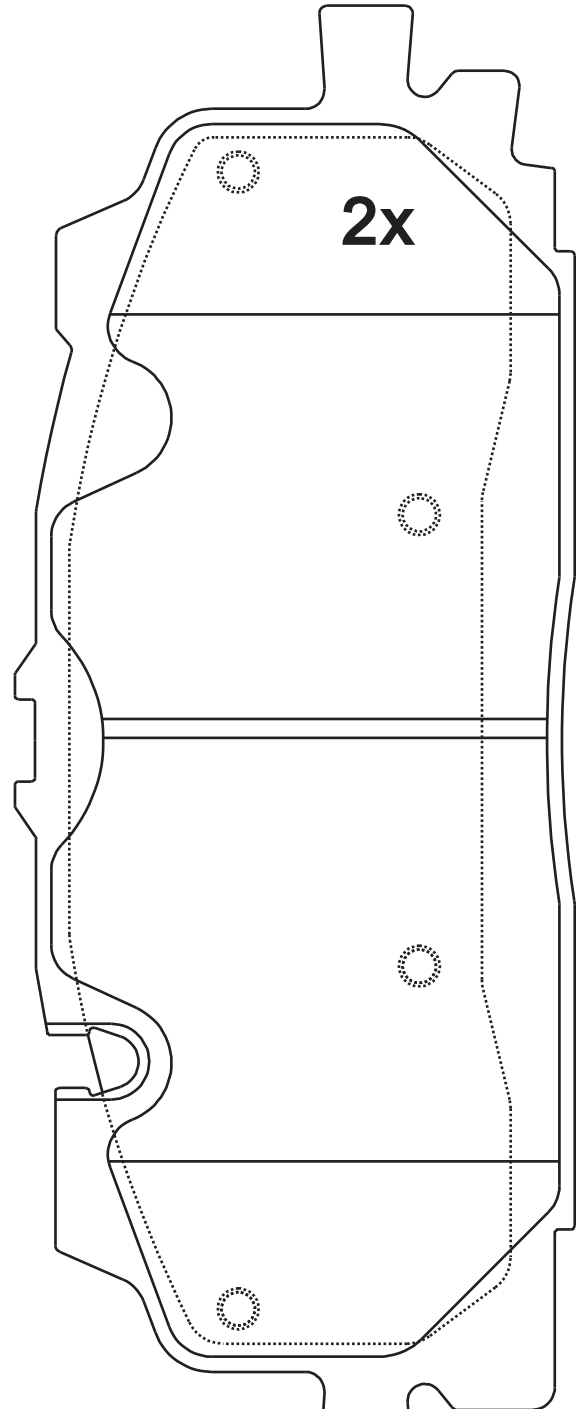
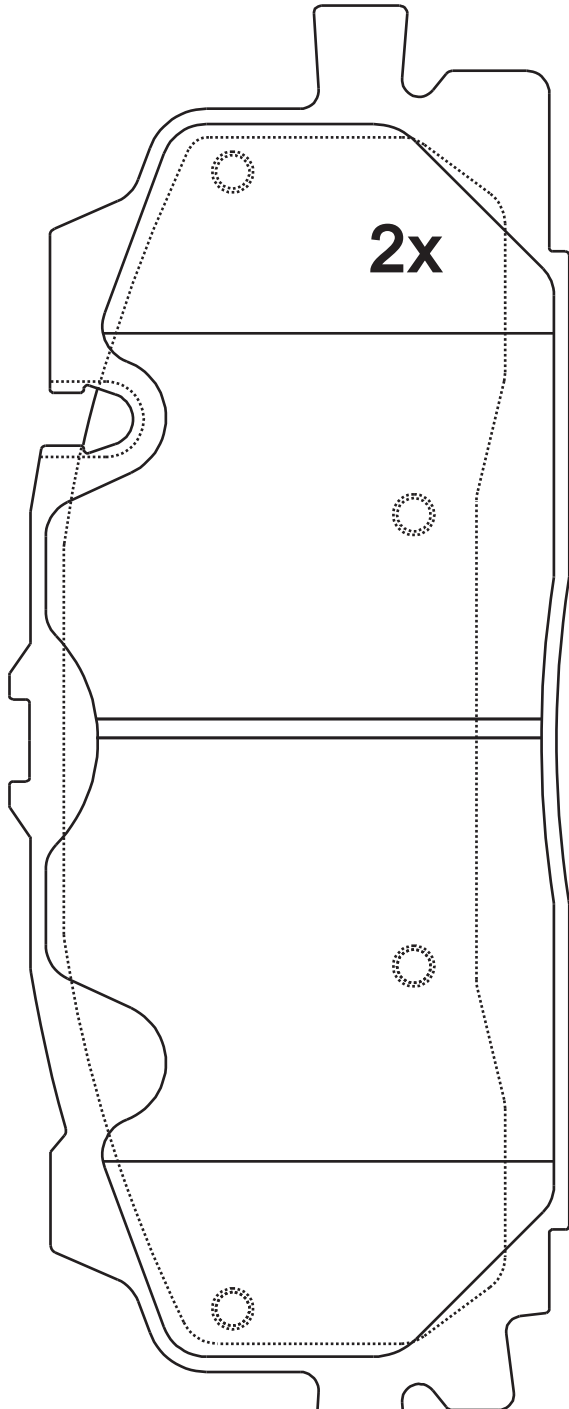
SR1021	Dimension (mm)	Thickness (mm)		NOTE



SR1022.01

Dimension (mm)	Thickness (mm)	
194X74	16.8	

NOTE
2 identical; 2 identical,



Apply for:

25861

25862

AUDIA5 F53
AUDIA5 F57
AUDI Q7

2017-
2017-
2015-

SR1022

**Dimension
(mm)**

**Thickness
(mm)**



NOTE

附件包
Accessory bag

1x

4M0615121R

X0271A总长400mm

FJB1X0271A





2x

X0271B总长420mm

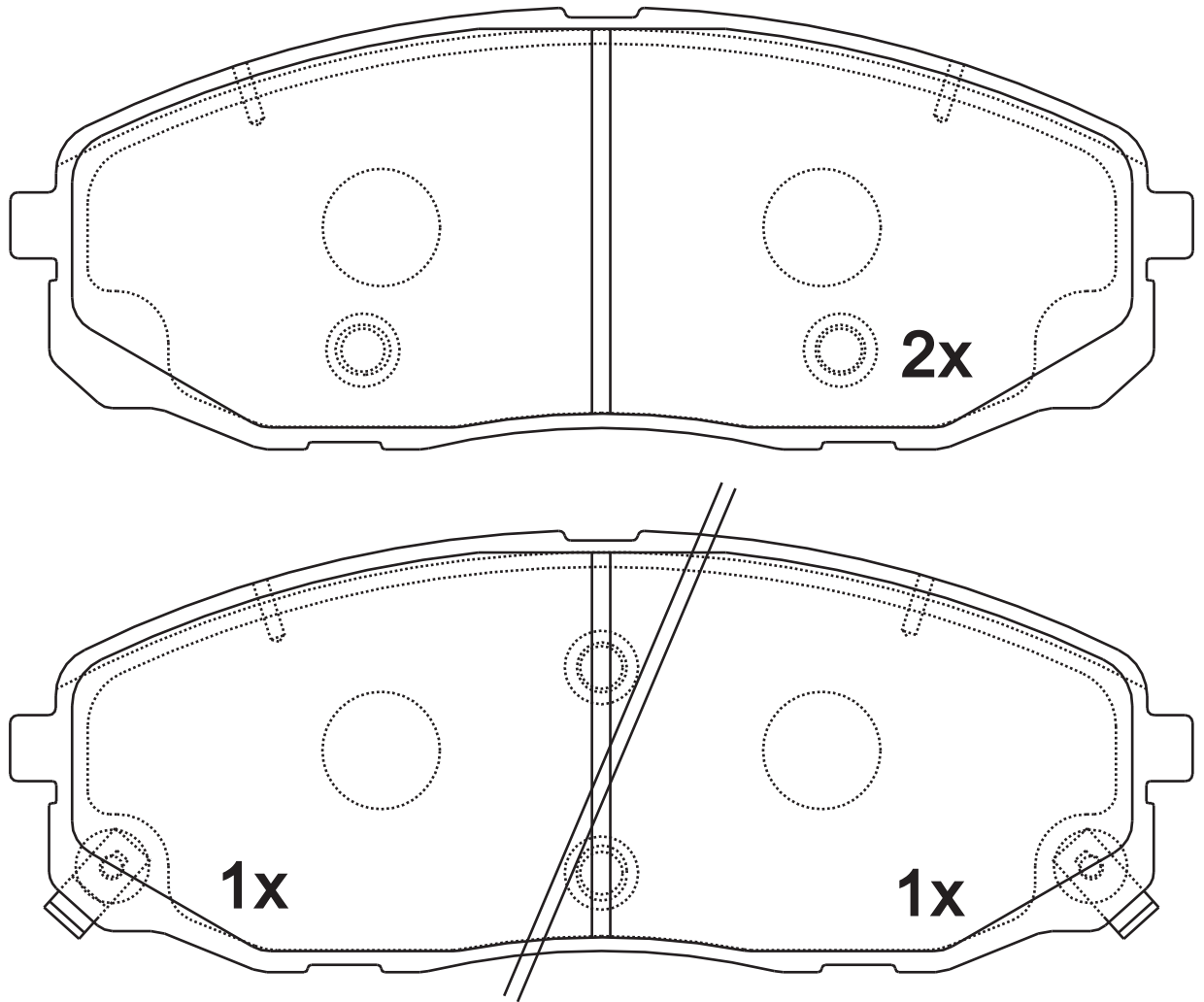
FJB2X0271B



SR1023.01

Dimension (mm)	Thickness (mm)	
161X60.5	16.3	

NOTE
2 identical; 2 identical, 1 with acoustic indicator (left), 1 with acoustic indicator (right).





D1814

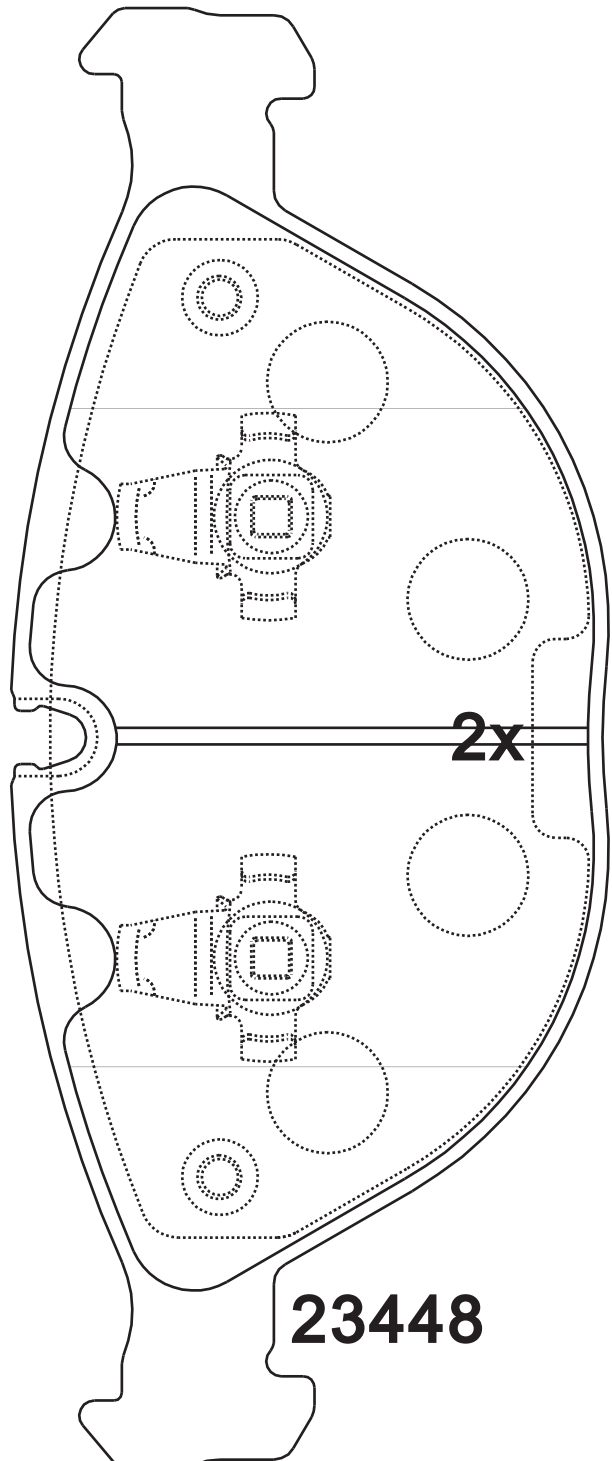
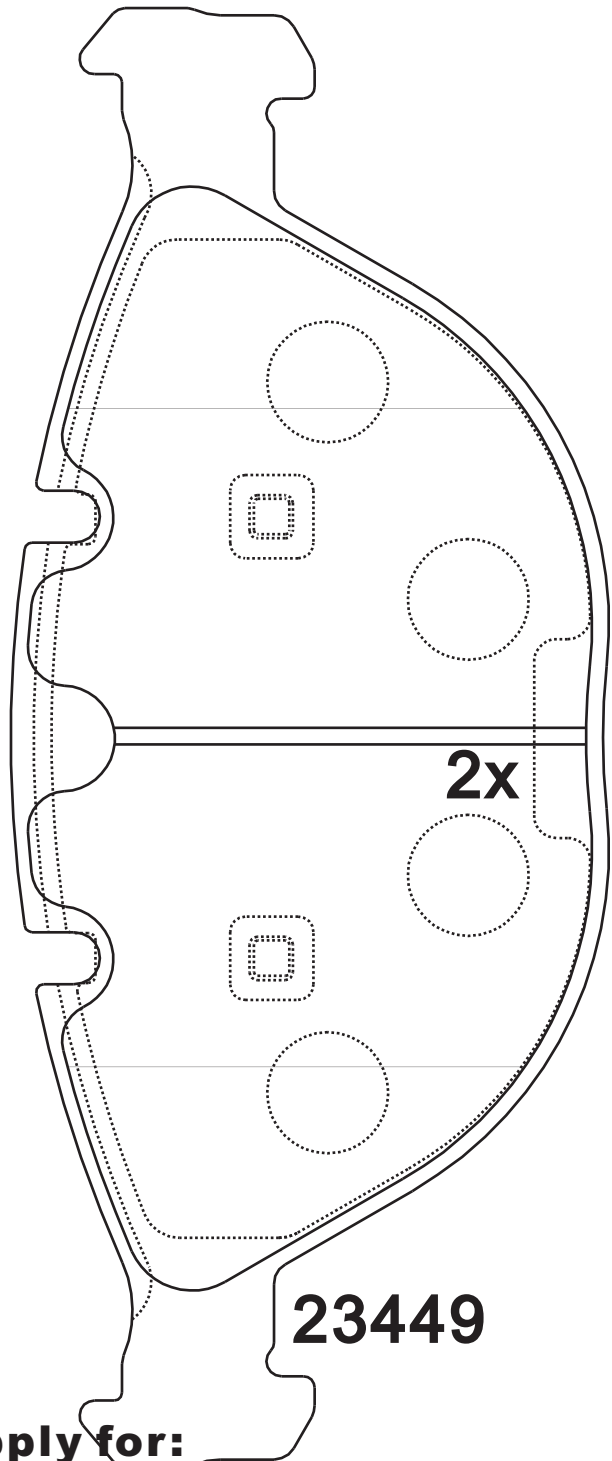
Apply for:
KIA Sedona

2015

SR1024.01

Dimension (mm)	Thickness (mm)	
193X79	20.8	

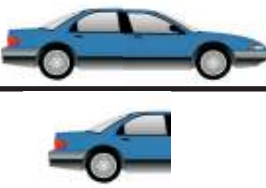
NOTE
2 identical; 2 identical,



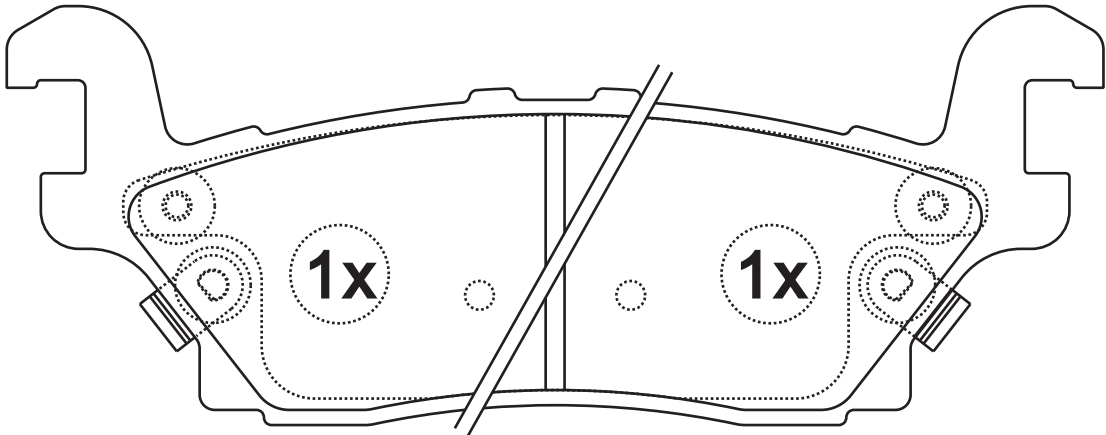
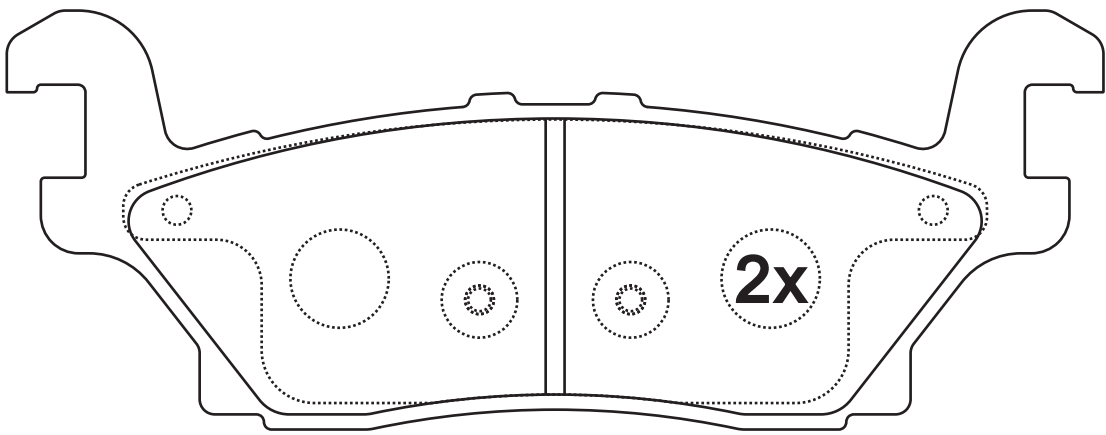
Apply for:

- BMW X5 IS 2002-2003
- BMW X5 4.8IS 2004-2006
- BMW X5越野车(E53) 2000-2006

SR1025.01

Dimension (mm)	Thickness (mm)	
145X55	15.3	

NOTE
2 identical; 2 identical, 1 with acoustic indicator (left), 1 with acoustic indicator (right).



D1120

Apply for:
Hummer H3
Hummer H3T

2006-2010
2009-2010

SR1026.01

**Dimension
(mm)**

132.1X46

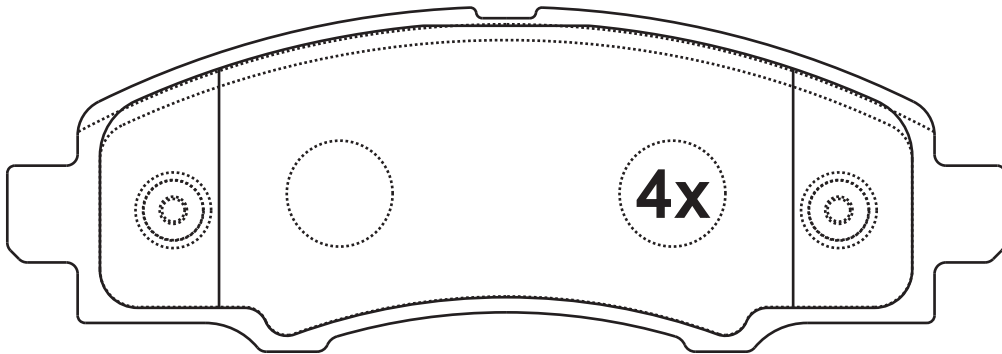
**Thickness
(mm)**

16.2



NOTE

4 identical;



D1638

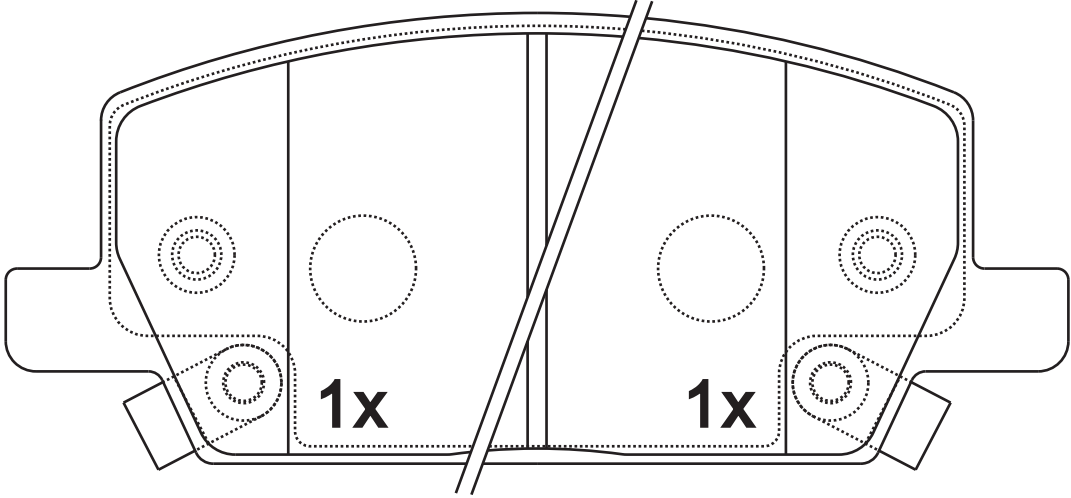
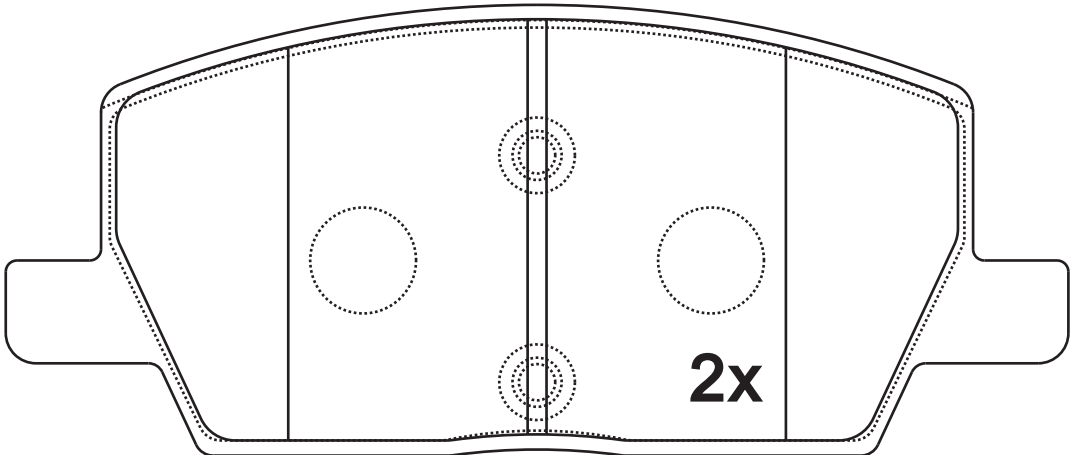
Apply for:
Ford Ikon (Latin America)

2011-2012

SR1027.01

Dimension (mm)	Thickness (mm)	
140.6X59.6	19	

NOTE
2 identical; 2 identical, 1 with acoustic indicator (left), 1 with acoustic indicator (right).





GDB8000

Apply for:

Buick (Sgm) Envision (Cp4)
Chevrolet (Sgm) Malibu XI (Eg5)

2015-
2018-

SR1027	Dimension (mm)	Thickness (mm)		NOTE 附件包 Accessory bag



4x

DXK0497

FJB1027.01

SR1028.01

**Dimension
(mm)**

108.6X51.5

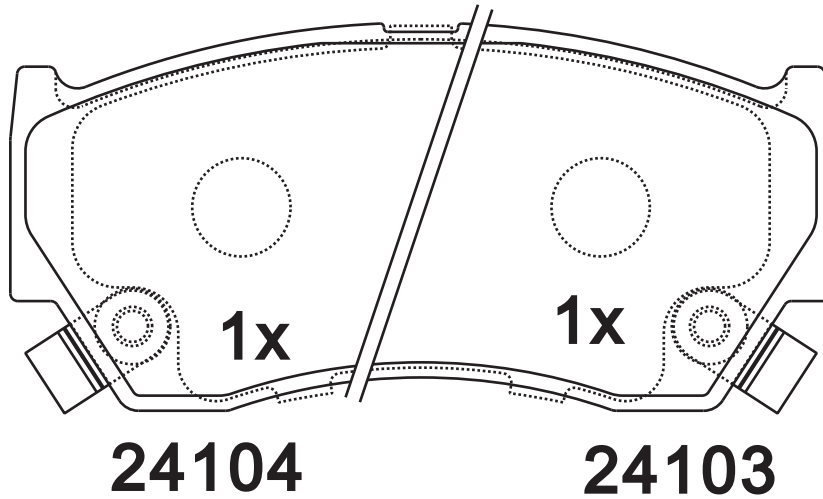
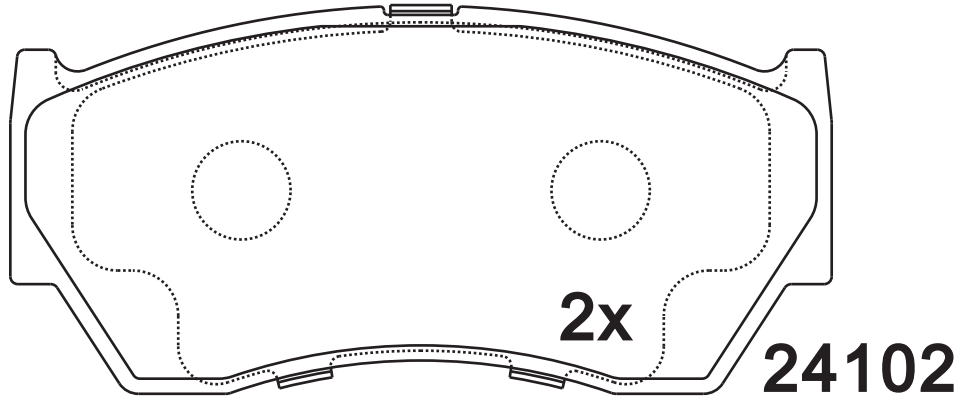
**Thickness
(mm)**

15.6



NOTE

2 identical; 2 identical, 1 with acoustic indicator (left), 1 with acoustic indicator (right).



Apply for:
铃木利亚纳

2008

SR1029.01

**Dimension
(mm)**

122.8X49.2

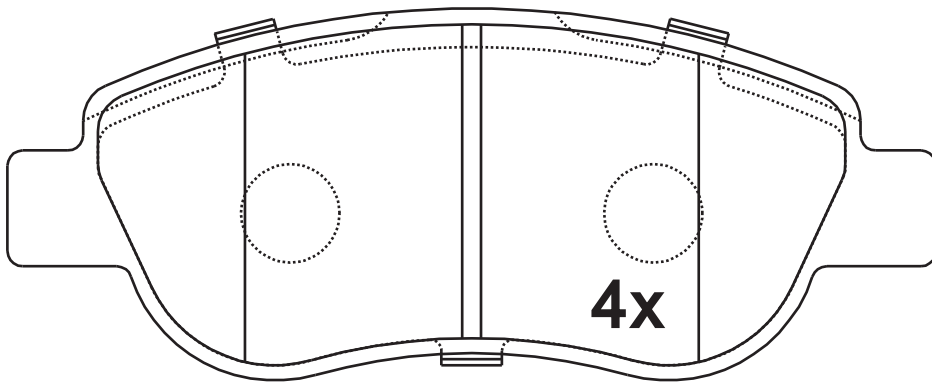
**Thickness
(mm)**

17.3



NOTE

4 identical;



24393

Apply for:

Renault Megane Ii (Bm0/1_, Cm0/1_)

2001/07-2012/10

SR1030.01

**Dimension
(mm)**

123X48.2
123X47.2

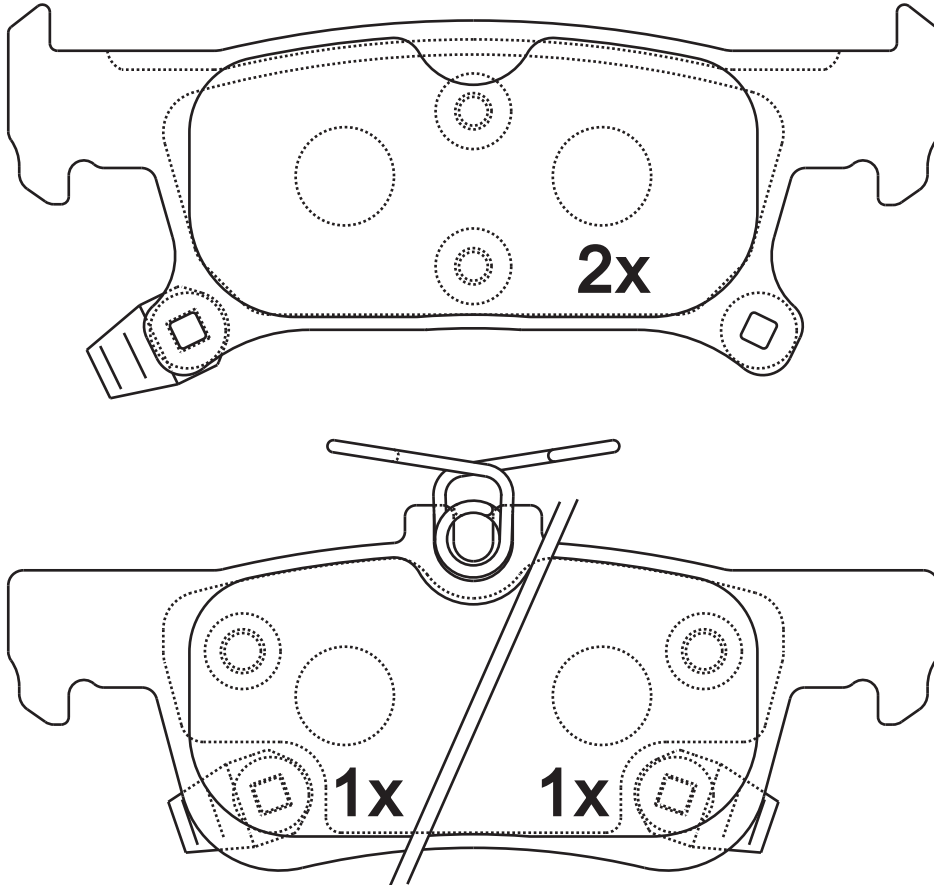
**Thickness
(mm)**

16.2



NOTE

2 identical; 2 identical, 1 with acoustic indicator (left), 1 with acoustic indicator (right).



GDB8001

Apply for:

Buick (Sgm) Envision (Cp4) 2015-

SR1031.01

**Dimension
(mm)**

181.4X71.8
180.2X71.8

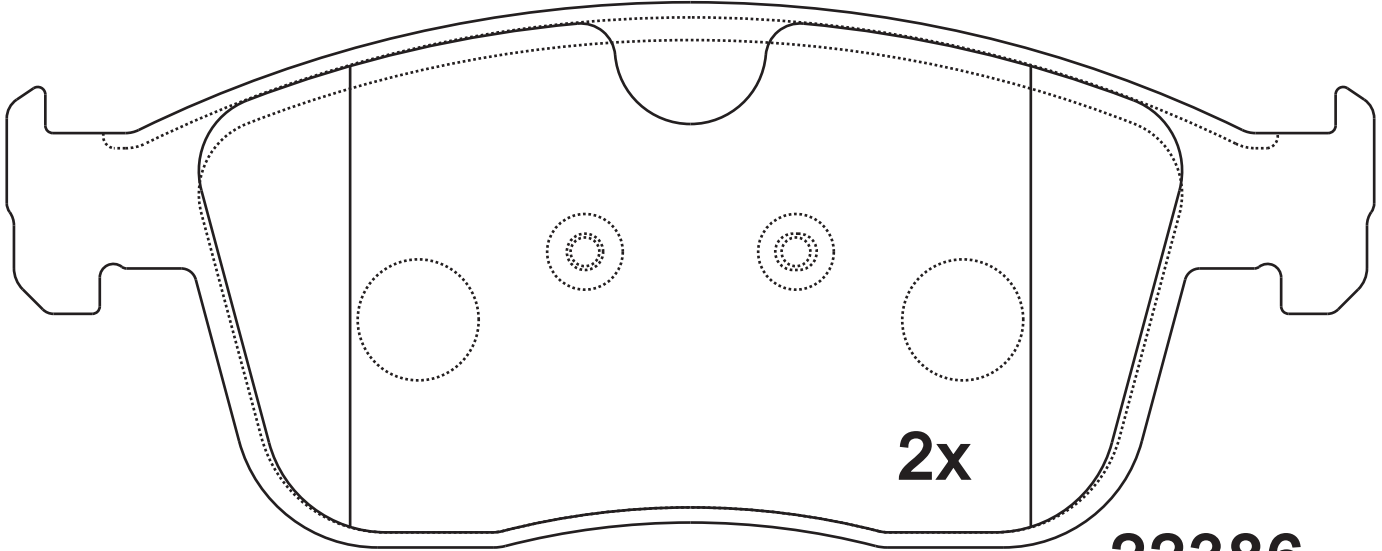
**Thickness
(mm)**

18.5

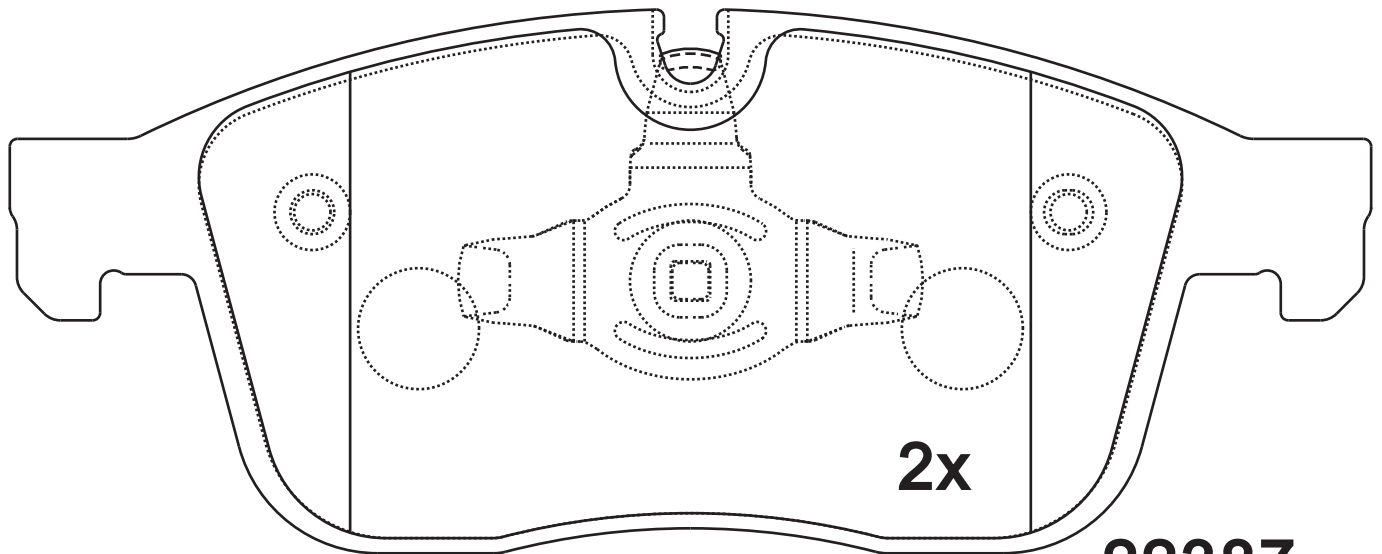


NOTE

2 identical;2 identical,



22386



22387

Apply for:

VOLVO XC60 (156)

2016-

SR1032.01

**Dimension
(mm)**

**Thickness
(mm)**

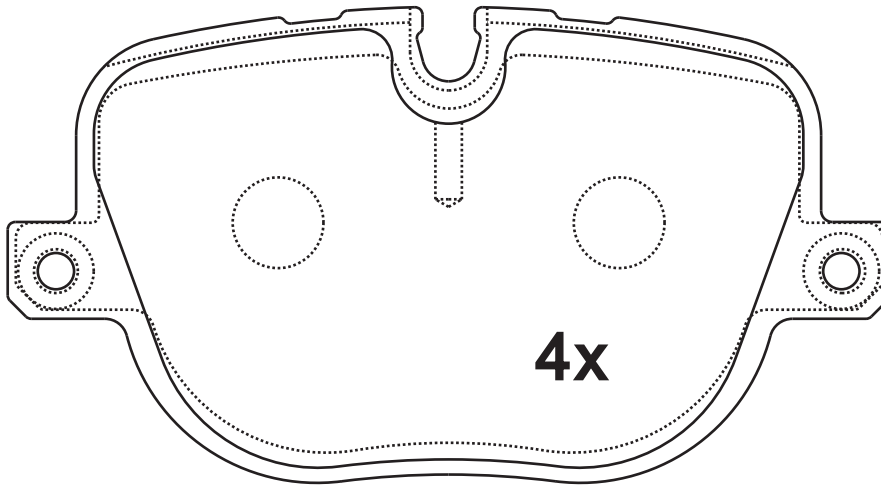


NOTE

4 identical;

116.8X62.9

17.1




25085

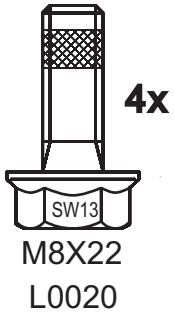
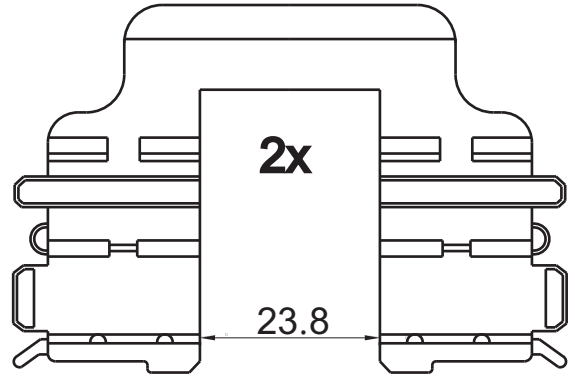
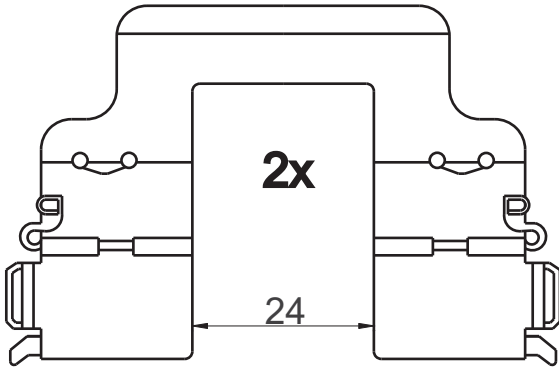
Apply for:

Land Rover Range Rover Sport Supercharged
Land Rover Range Rover Supercharged

2010-2013

2010-2012

SR1032	Dimension (mm)	Thickness (mm)		NOTE



SR1033.01

**Dimension
(mm)**

140.1X55

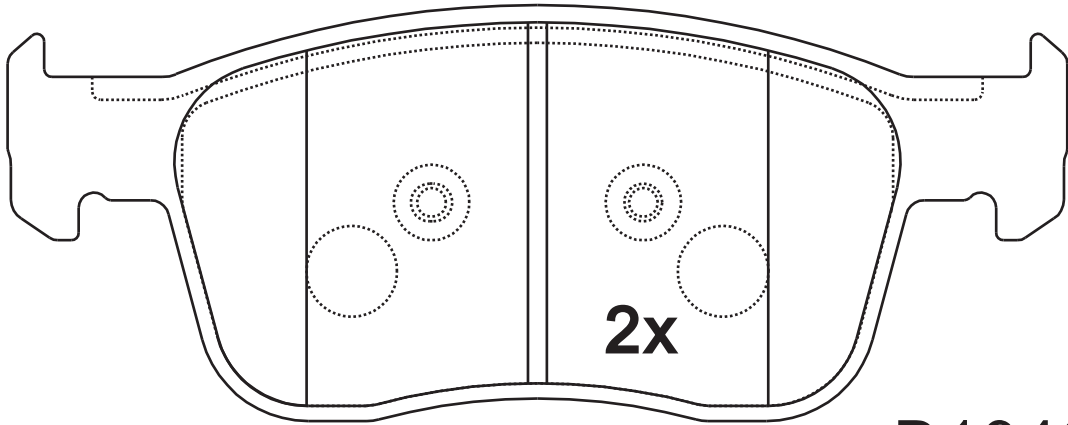
**Thickness
(mm)**

16.2

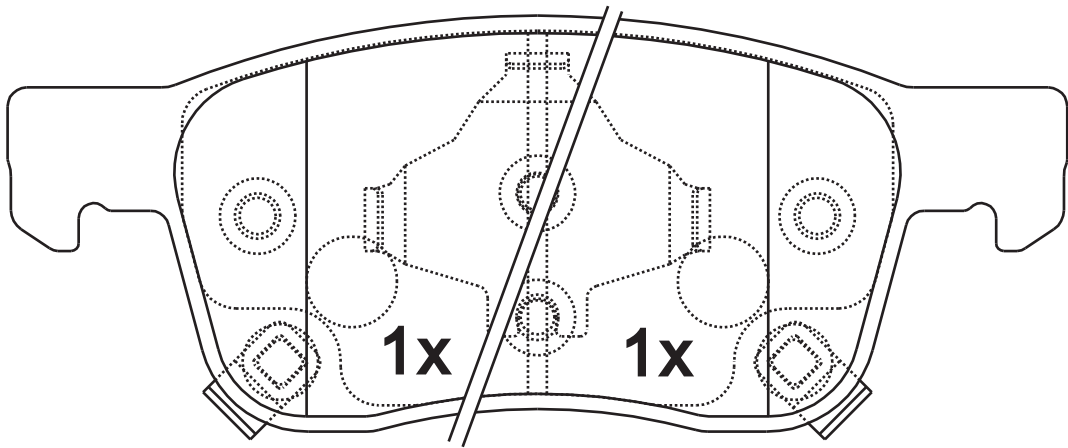


NOTE

2 identical; 2 identical, 1 with acoustic indicator (left), 1 with acoustic indicator (right).



D1942



Apply for:

Chevrolet (Sgm) Lova Rv Estate

2015/11-

SR1034.01

**Dimension
(mm)**

114.4X63

**Thickness
(mm)**

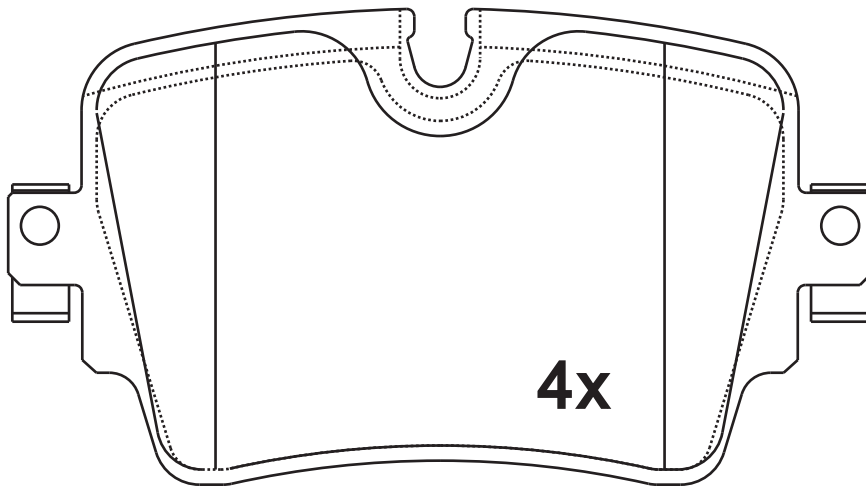
17.2



NOTE

4 identical;

无模具



25742

Apply for:

F-TYPE Convertible 2012-
F-Type 5.0L Red Caliper 2013-

SR1035.01

**Dimension
(mm)**

175X85.5

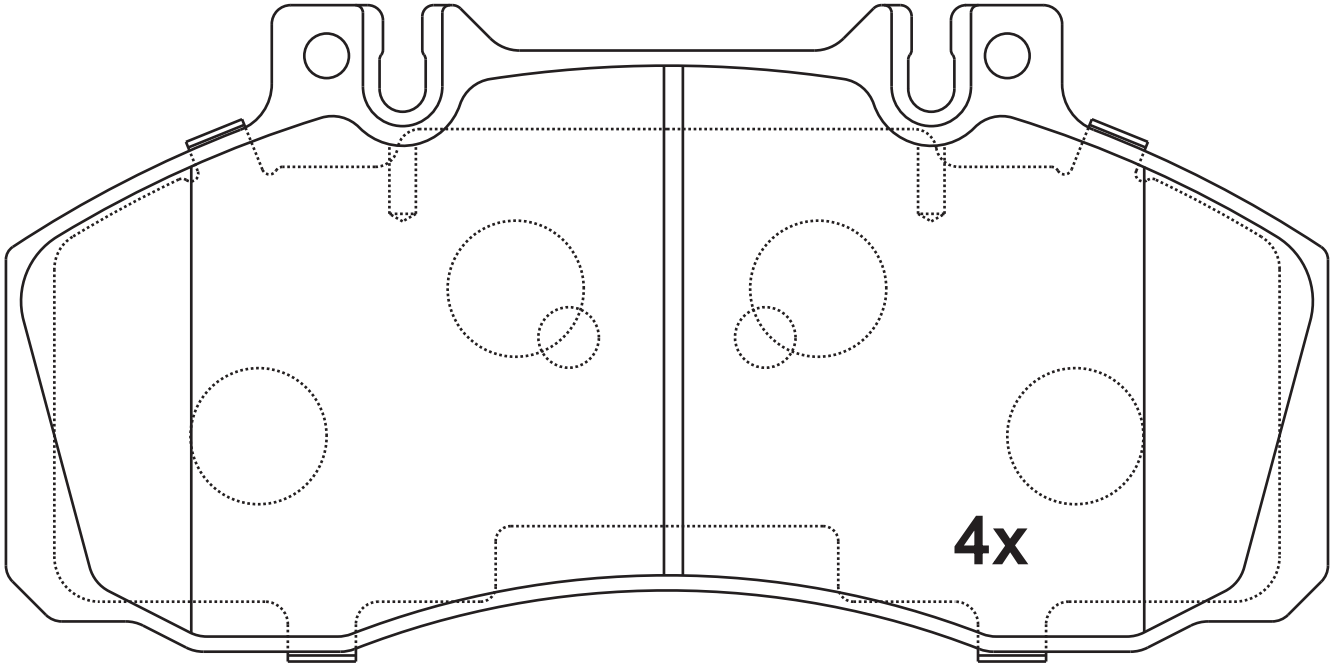
**Thickness
(mm)**

22



NOTE

4 identical;



29835

Apply for:

Mercedes-Benz T2/Ln1 Bus O 614 D (672.375, 672.376) 1987-1992

SR1035

**Dimension
(mm)**

**Thickness
(mm)**

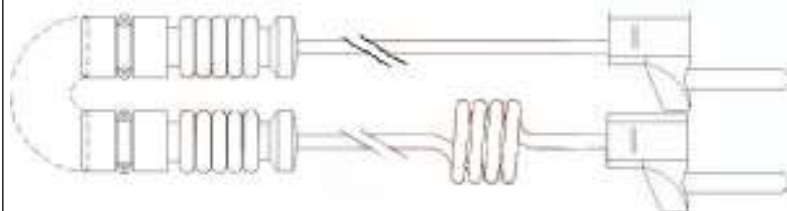


NOTE

附件包
Accessory bag

OE:3565400017

2x



X0376A 310mm/220mm

FJB2X0376A

SR1036.01

**Dimension
(mm)**

193X64.9

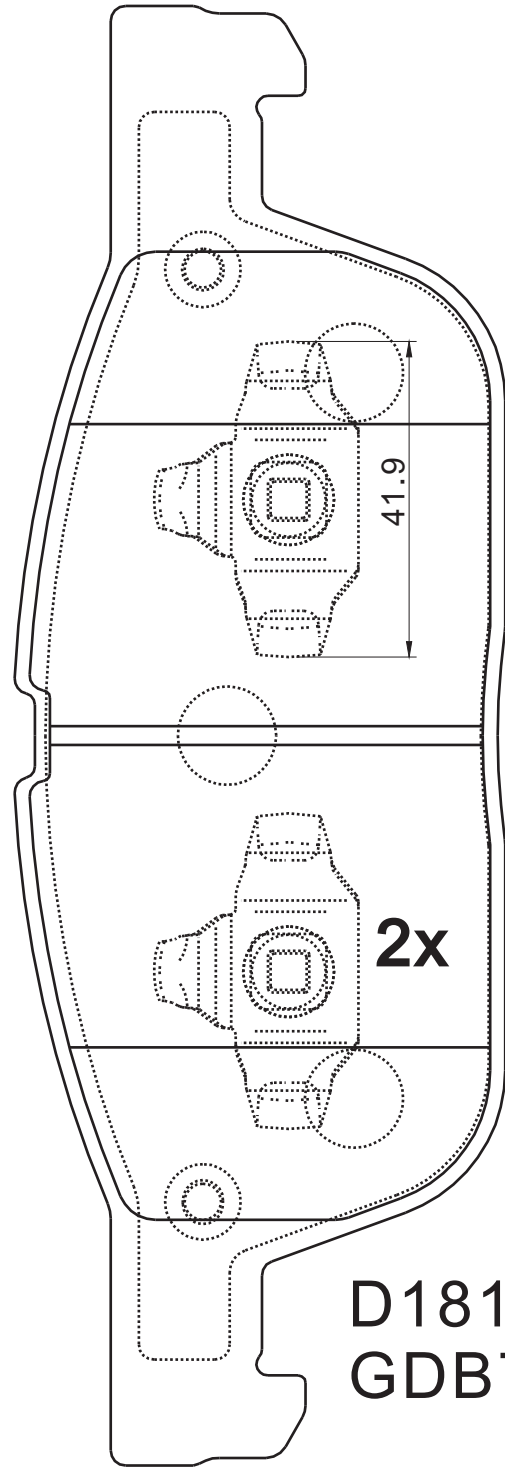
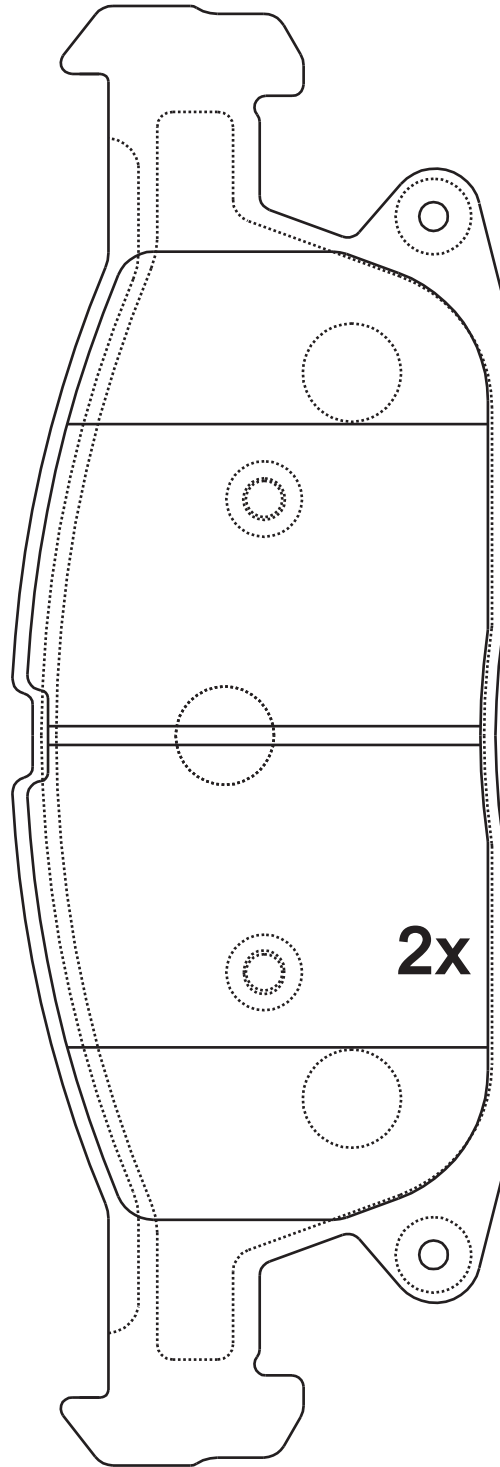
**Thickness
(mm)**

19.1



NOTE

2 identical; 2 identical,



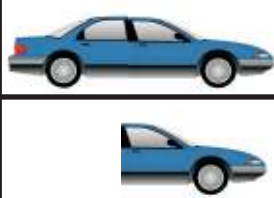
**D1818
GDB7998**

Apply for:

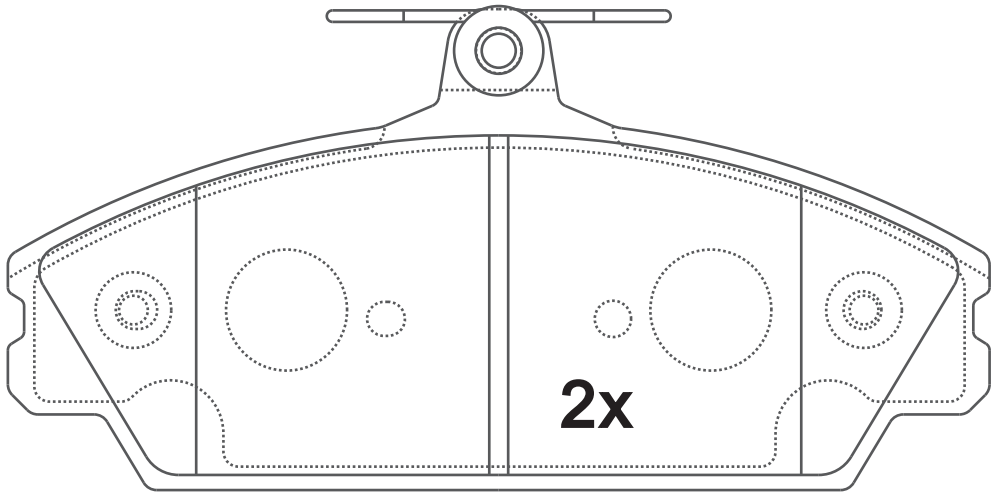
Ford (Changan) Edge Closed Off-Road Vehicle

2015/04-

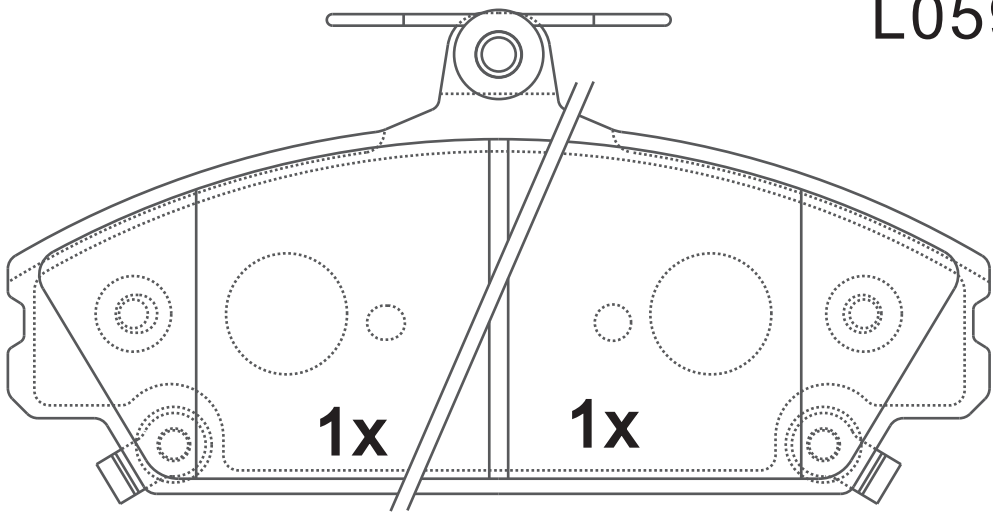
SR1037.01

Dimension (mm)	Thickness (mm)	
129.8X63.6	16.9	

NOTE
2 identical; 2 identical, 1 with acoustic indicator (left), 1 with acoustic indicator (right).



L0599



Apply for:

奇瑞E5/A3/A5 2016-

SR1038.01

**Dimension
(mm)**

135.8X54.1

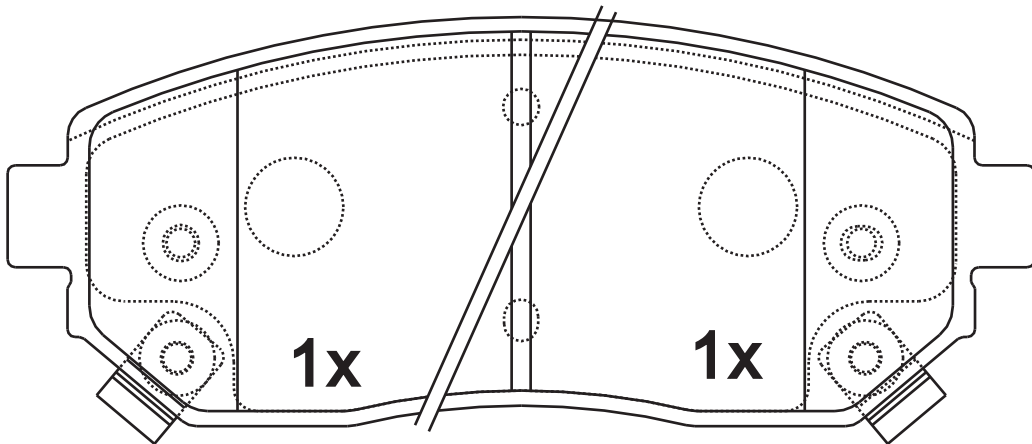
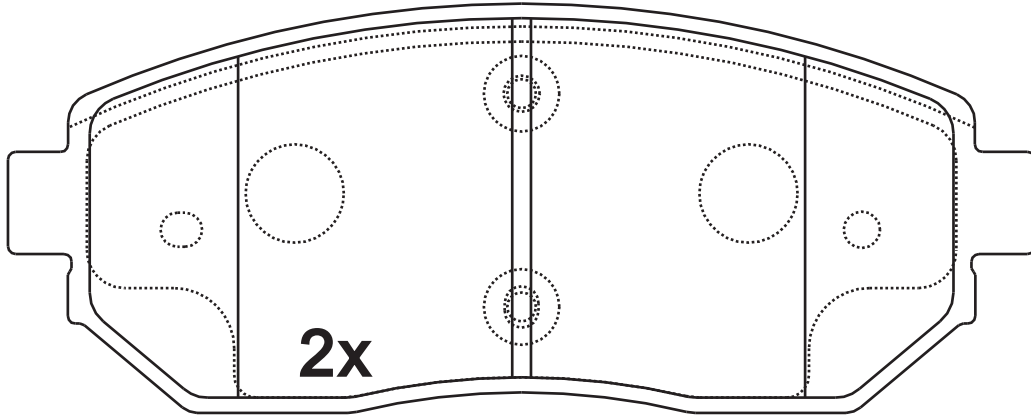
**Thickness
(mm)**

17.3



NOTE

2 identical; 2 identical, 1 with acoustic indicator (left), 1 with acoustic indicator (right).



L0609

Apply for:

长安 CX30 2010-2011
长安 志翔 2010-2011

SR1039.01

**Dimension
(mm)**

118.15X64.4

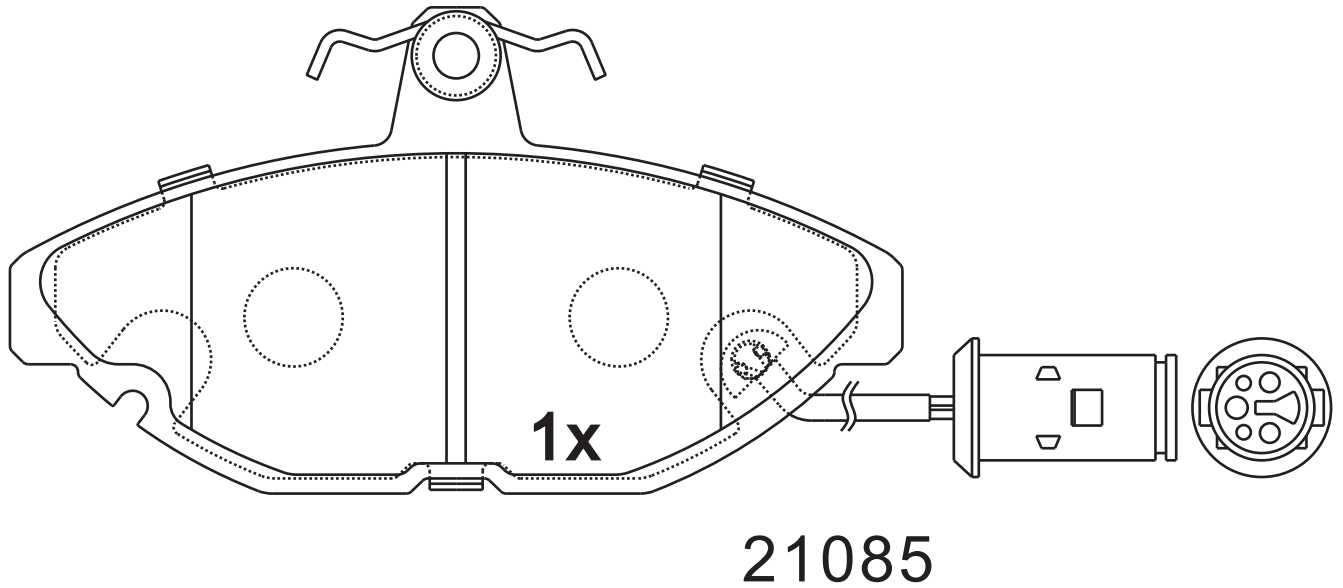
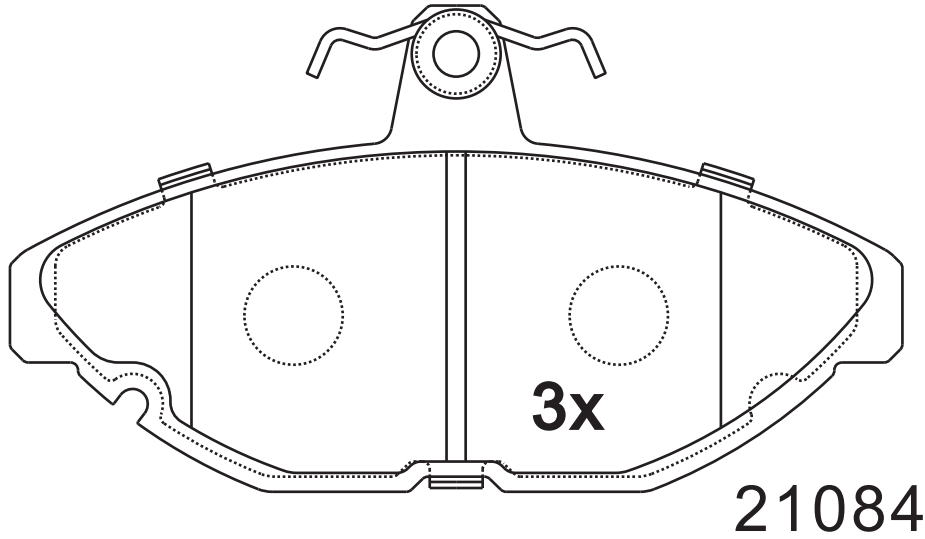
**Thickness
(mm)**

18.2



NOTE

**3 identical; 1 identical,
with wear contact:
215mm.**



Apply for:

Rover Maestro Hatchback

1990/09-1995/01

SR1039.02

**Dimension
(mm)**

118.15X64.4

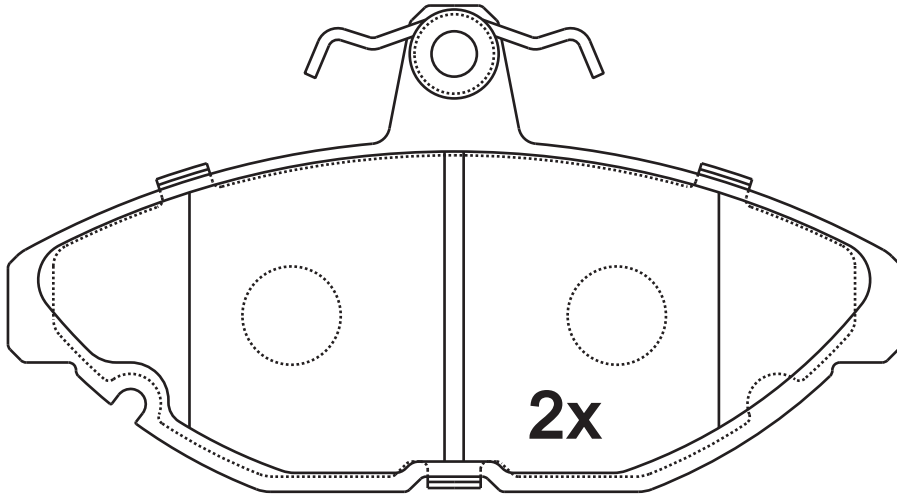
**Thickness
(mm)**

17.5

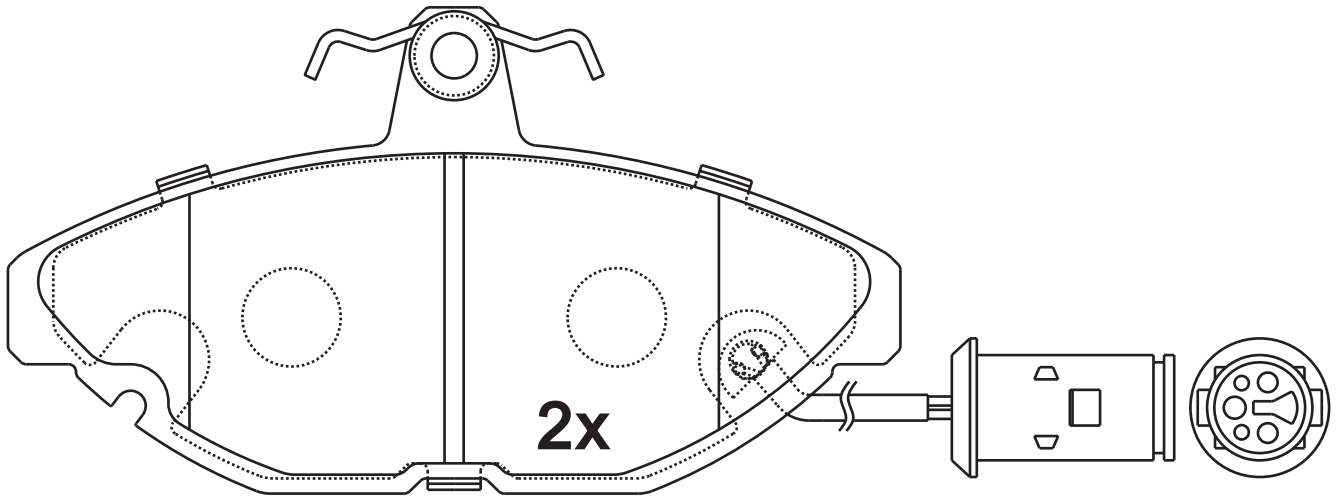


NOTE

**2 identical; 2 identical,
with wear contact:
215mm.**



2x
21084



2x
21085

Apply for:

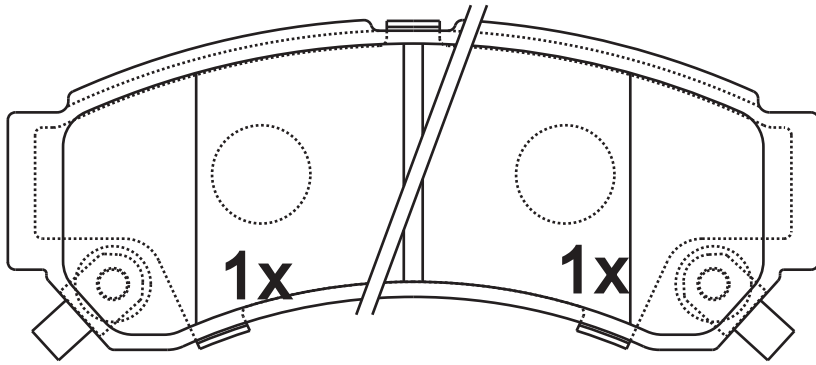
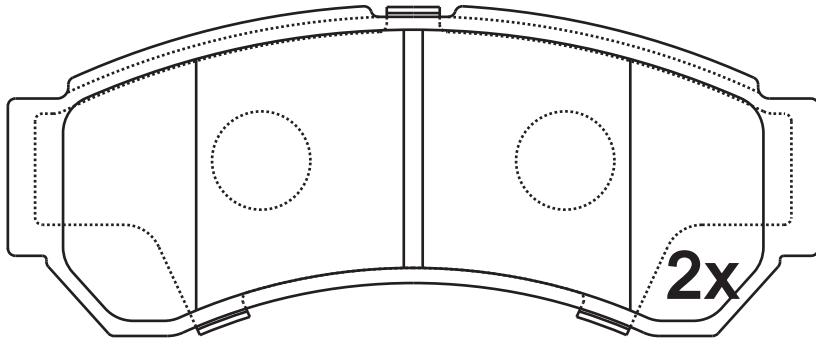
Rover Maestro Hatchback

1990/09-1995/01

SR1040.01

Dimension (mm)	Thickness (mm)	
107.2X43.6	15.5	
		

NOTE
2 identical; 2 identical, 1 with acoustic indicator (left), 1 with acoustic indicator (right).



L0613

Apply for:

北斗星 X5 2015

SR1041.01

**Dimension
(mm)**

137.7X58.4

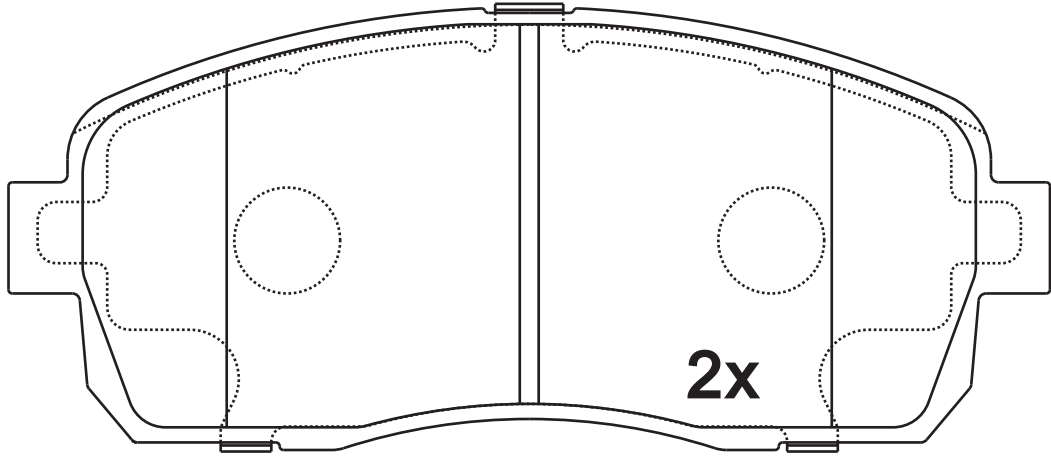
**Thickness
(mm)**

17.3

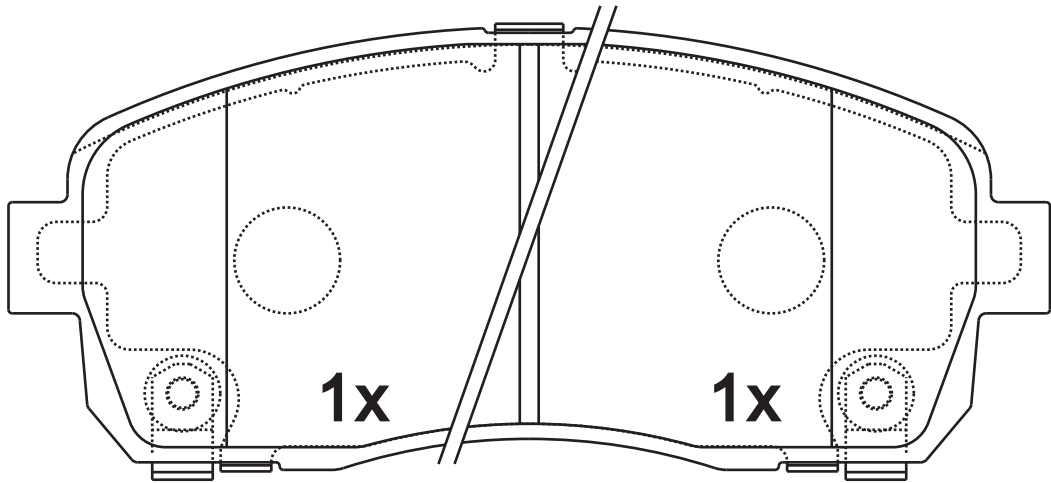


NOTE

2 identical; 2 identical, 1 with acoustic indicator (left), 1 with acoustic indicator (right).



QW13433



Apply for:

长城 V80 2011-2013

SR1042.01

**Dimension
(mm)**

120.7X53.9

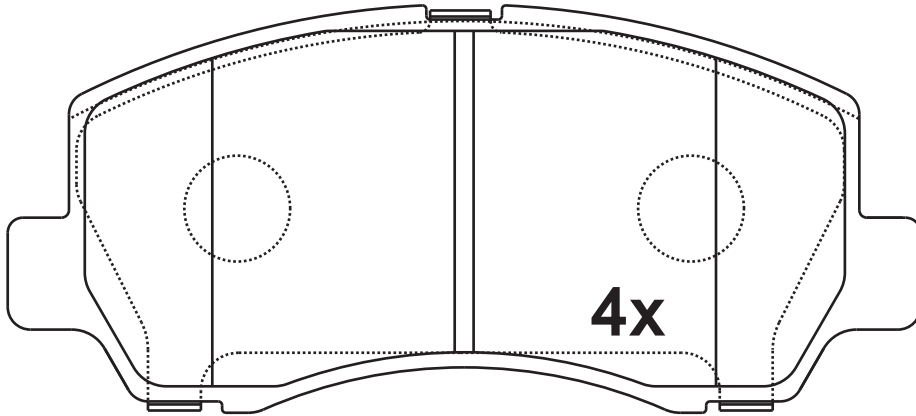
**Thickness
(mm)**

15.6



NOTE

4 identical;



L0499

Apply for:

五菱小旋风 2011-2013

SR1043.01

**Dimension
(mm)**

125.3X50.9

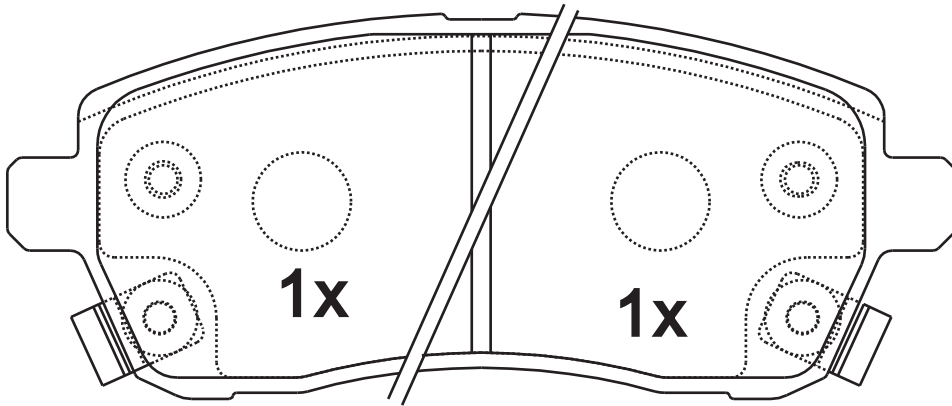
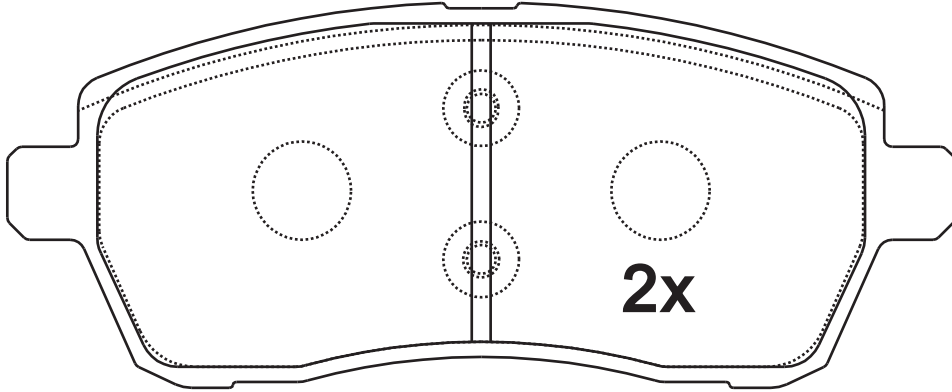
**Thickness
(mm)**

15.3



NOTE

2 identical; 2 identical, 1 with acoustic indicator (left), 1 with acoustic indicator (right).




QW13254

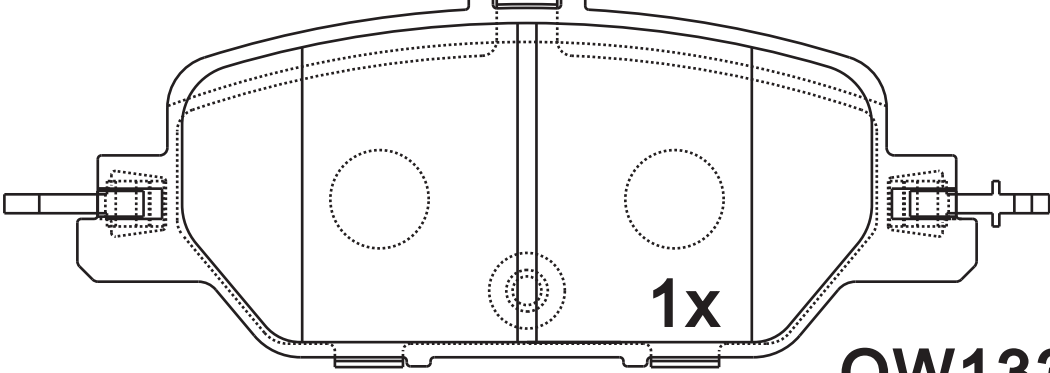
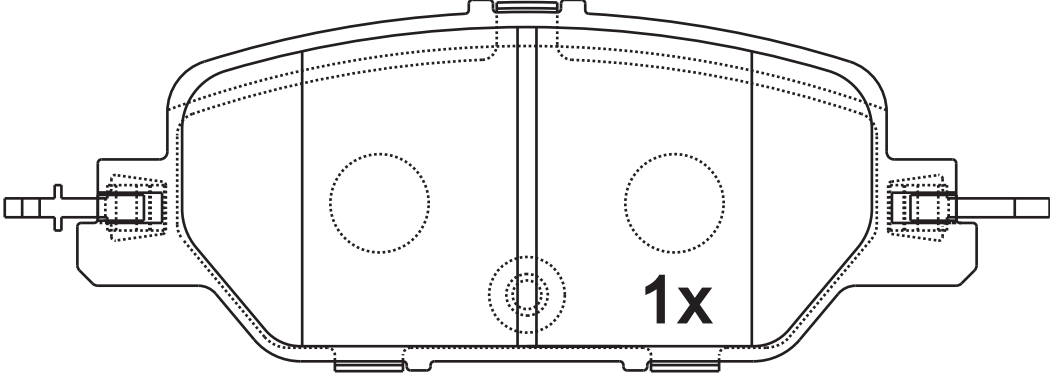
Apply for:

长安 欧尚

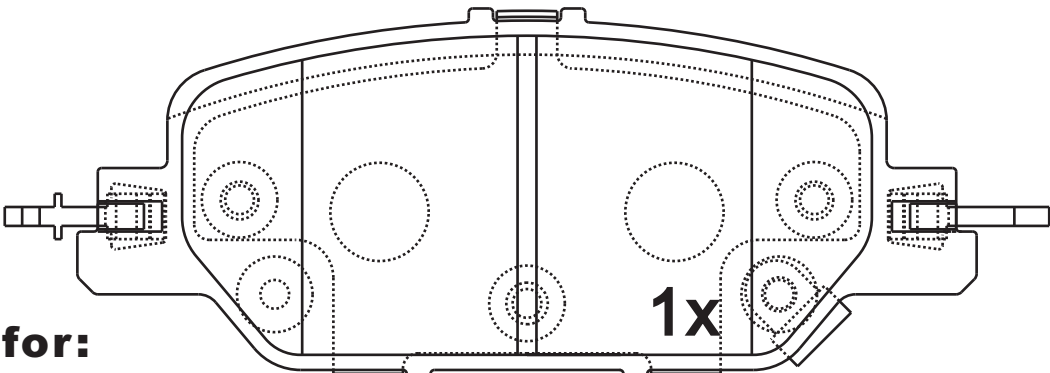
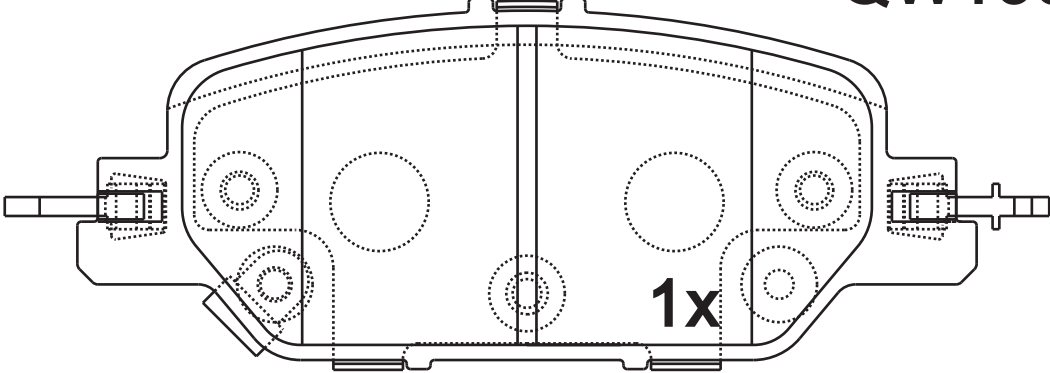
SR1044.01

Dimension (mm)	Thickness (mm)	
118.9X49.1	16.5	

NOTE
1 identical;1 identical,
1 identical;1 identical,



QW13304



Apply for:

本田 冠道 2017

版次: A/3

SR1045.01

**Dimension
(mm)**

126.5X48.5

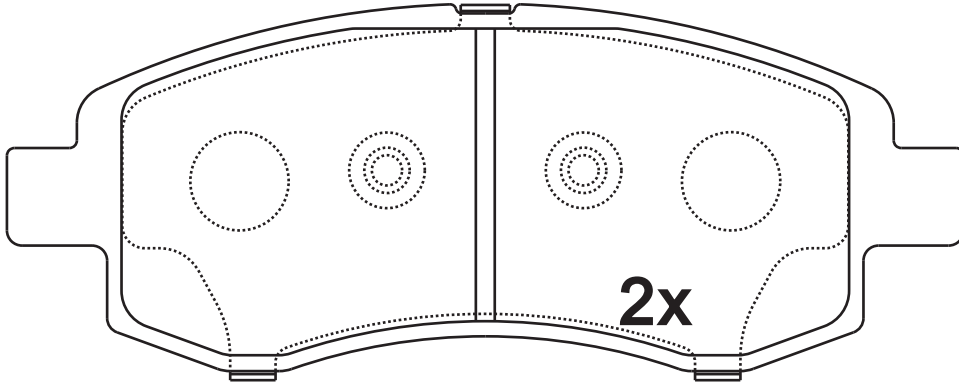
**Thickness
(mm)**

15.8

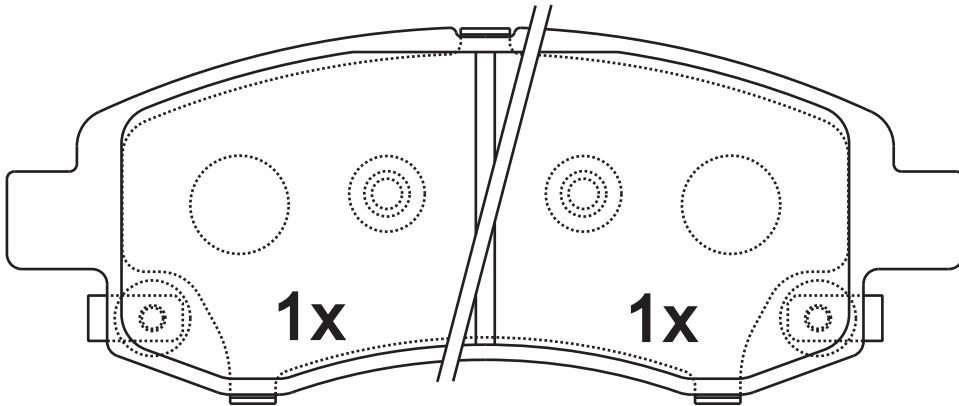


NOTE

2 identical; 2 identical, 1 with acoustic indicator (left), 1 with acoustic indicator (right).



QW13311



Apply for:

宝骏 310 2016-

SR1046.01

**Dimension
(mm)**

116.5X48.2

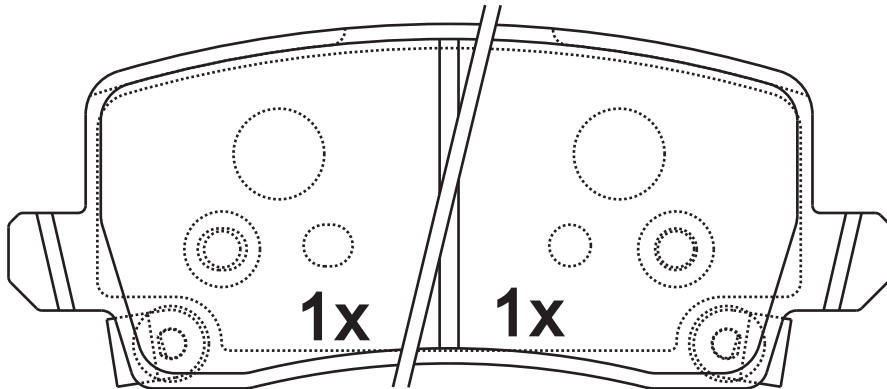
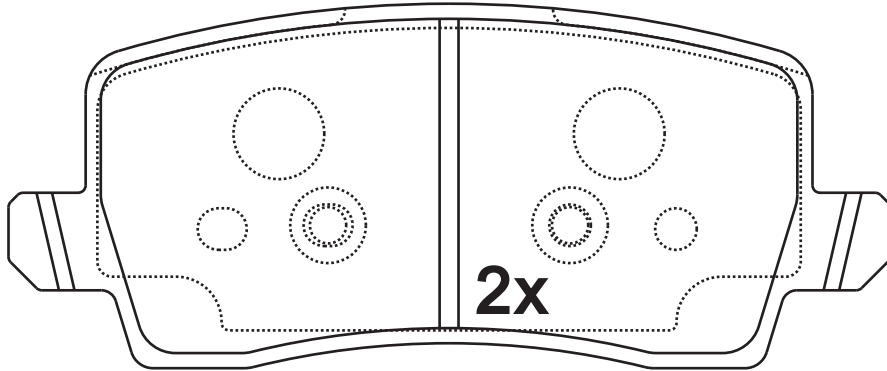
**Thickness
(mm)**

15



NOTE

2 identical; 2 identical, 1 with acoustic indicator (left), 1 with acoustic indicator (right).



QW13427

Apply for:

长安 CX70 2016-

版次: A/3

SR1047.01

**Dimension
(mm)**

131.3X51.8

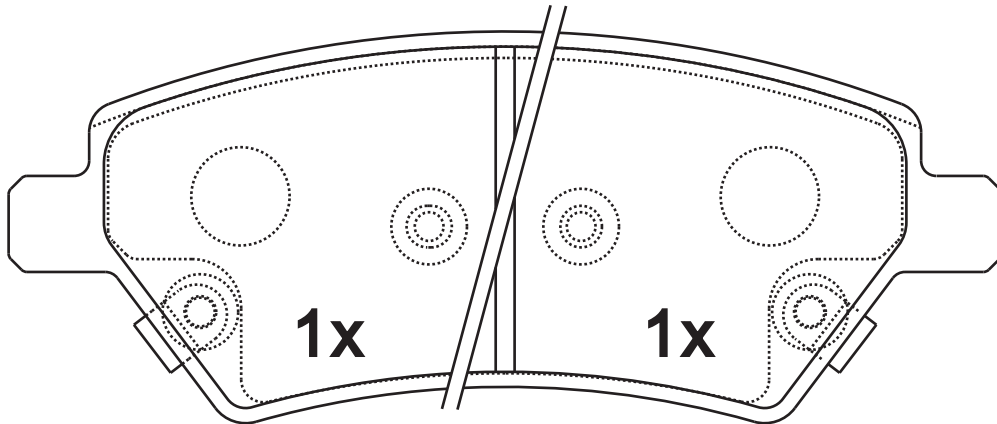
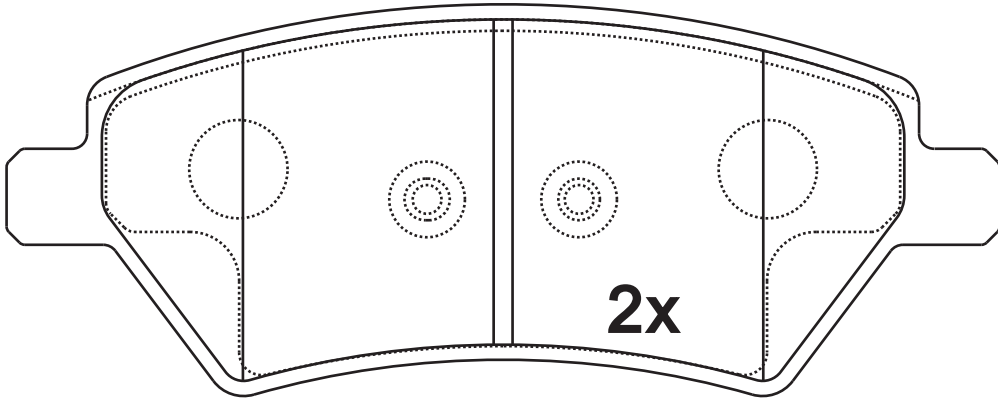
**Thickness
(mm)**

15.6



NOTE

2 identical; 2 identical, 1 with acoustic indicator (left), 1 with acoustic indicator (right).



QW12949

Apply for:

福田 萨瓦纳 2017-

SR1048.01

**Dimension
(mm)**

115.4X49.2

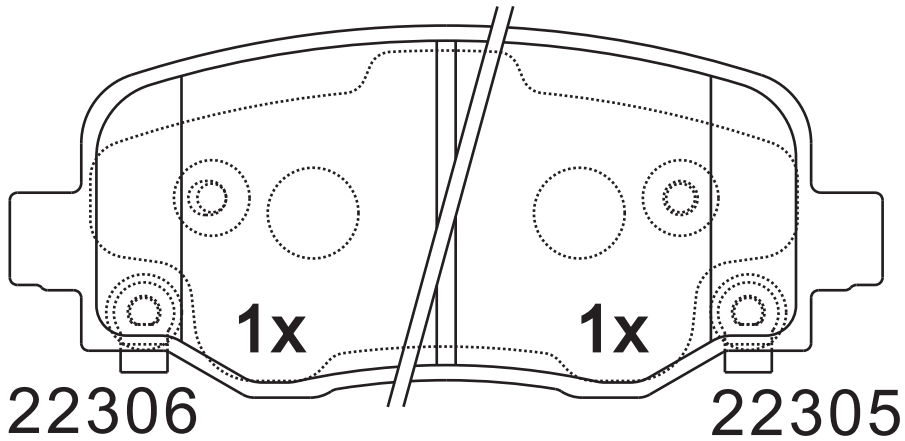
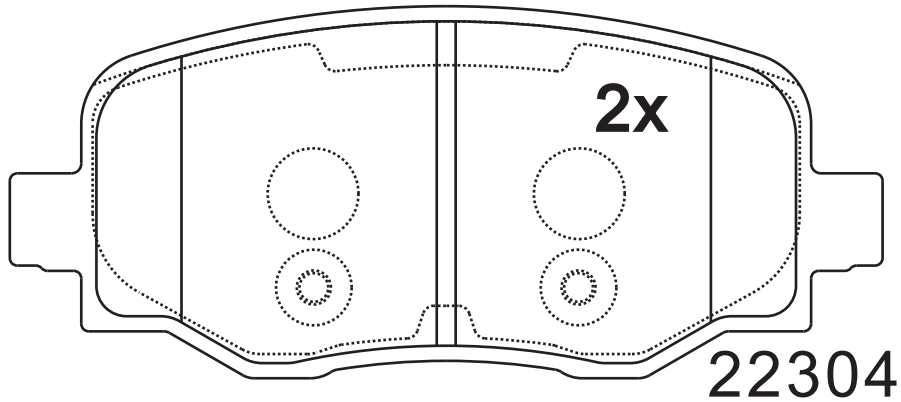
**Thickness
(mm)**

17



NOTE

2 identical; 2 identical, 1 with acoustic indicator (left), 1 with acoustic indicator (right).



Apply for:

Jeep Renegade

2015

SR1048.02

**Dimension
(mm)**

115.5X49.5

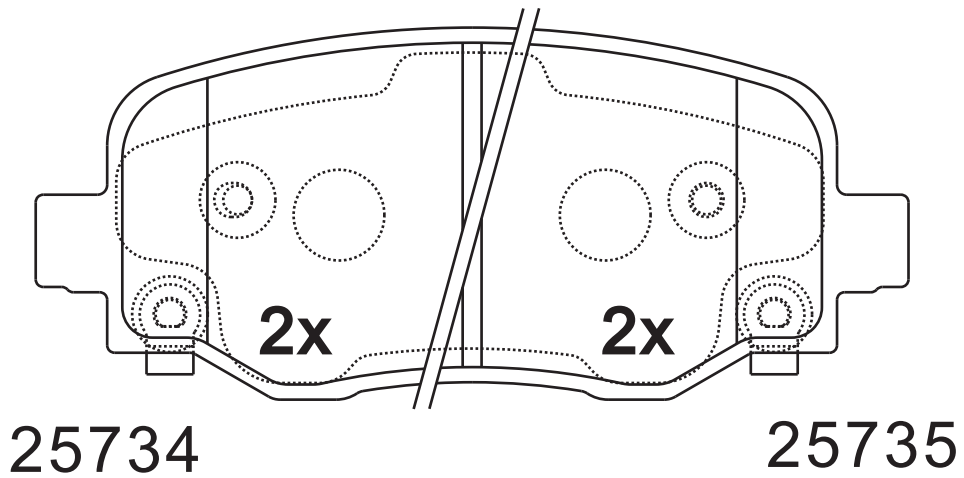
**Thickness
(mm)**

17



NOTE

2 identical;2 identical,



Apply for:

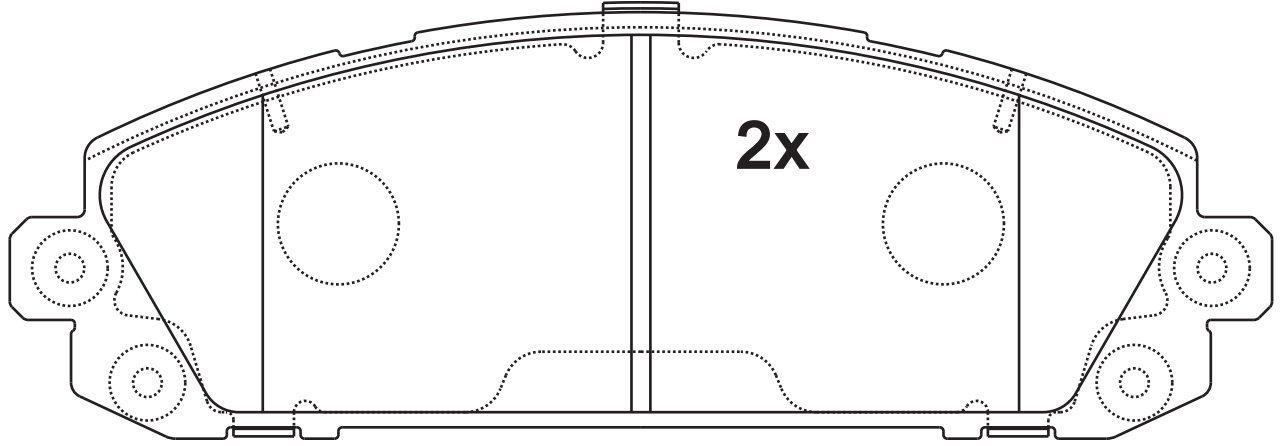
Fiat 500X (334)
Jeep Cherokee (KI)

2014/09-
2013/11-

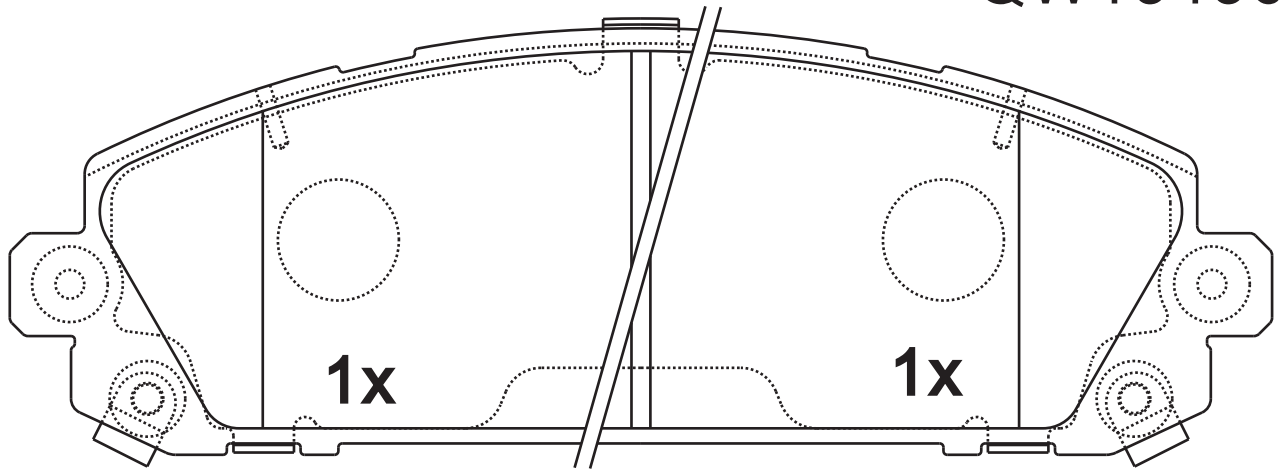
SR1049.01

Dimension (mm)	Thickness (mm)	
166.9X56.4	17.8	

NOTE
2 identical; 2 identical, 1 with acoustic indicator (left), 1 with acoustic indicator (right).



QW13436



Apply for:

力帆 X80 2017

SR1050.01

**Dimension
(mm)**

140.7X63.2

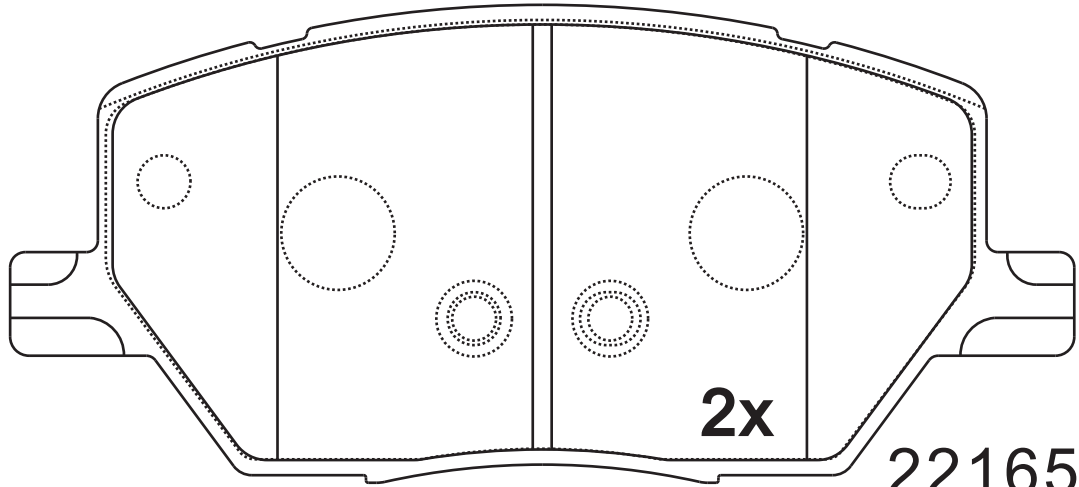
**Thickness
(mm)**

19.8

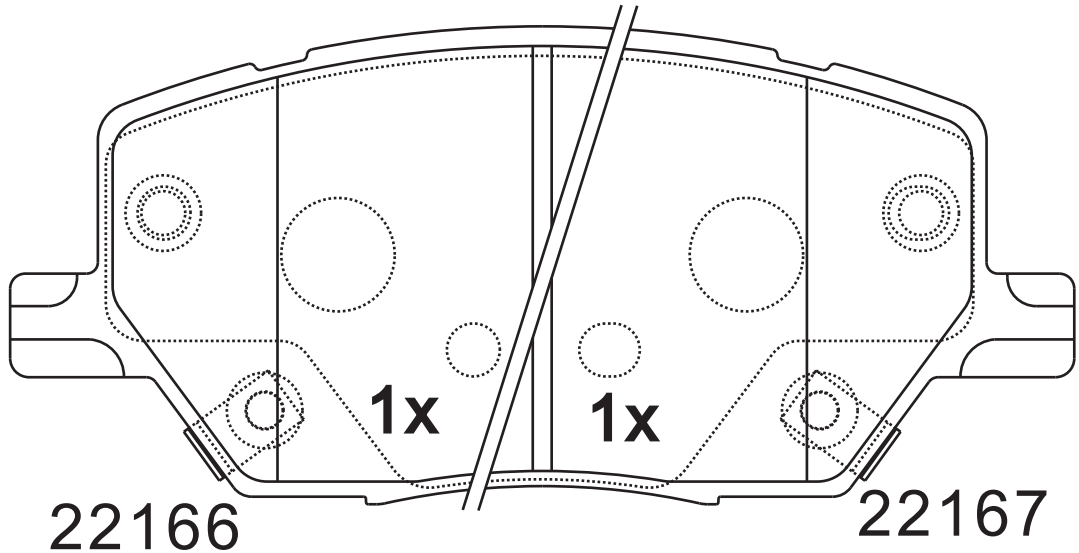


NOTE

2 identical; 2 identical, 1 with acoustic indicator (left), 1 with acoustic indicator (right).



22165



22166

22167

Apply for:

Fiat 500X (334)
Jeep Renegade

2014/09-
2015

SR1051.01

**Dimension
(mm)**

117.2X48.5

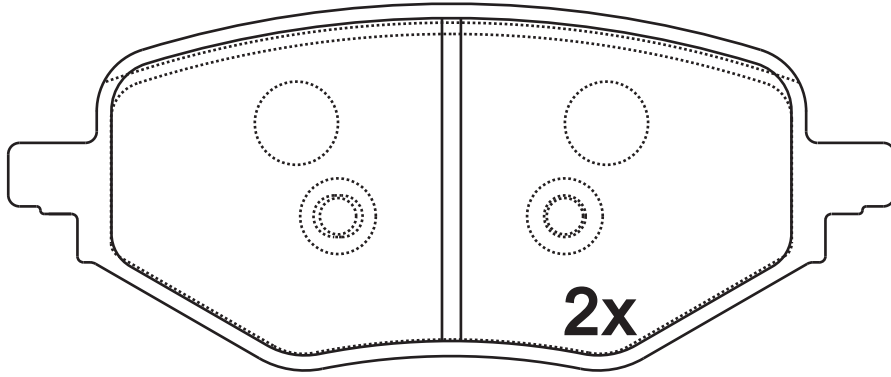
**Thickness
(mm)**

15.1

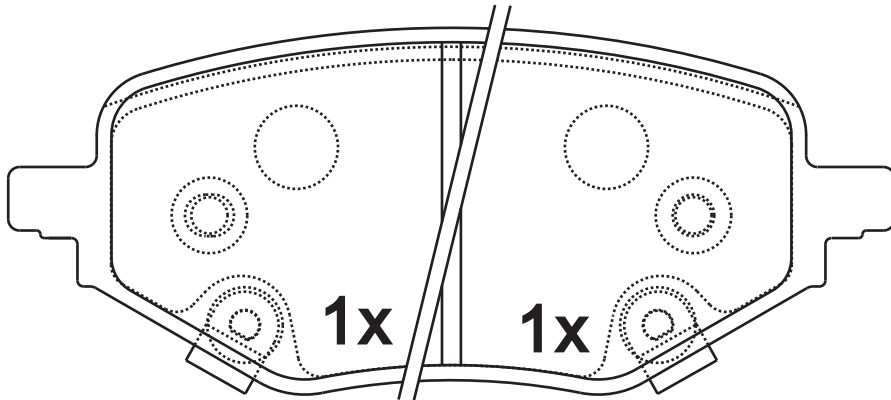


NOTE

2 identical; 2 identical, 1 with acoustic indicator (left), 1 with acoustic indicator (right).



QW13418



Apply for:

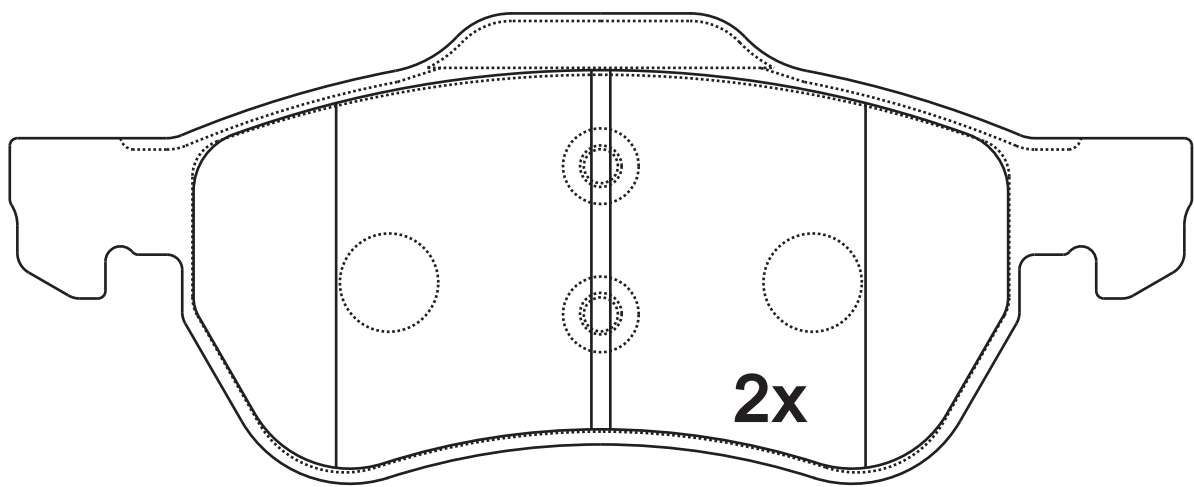
宝骏730 2016

版次: A/3

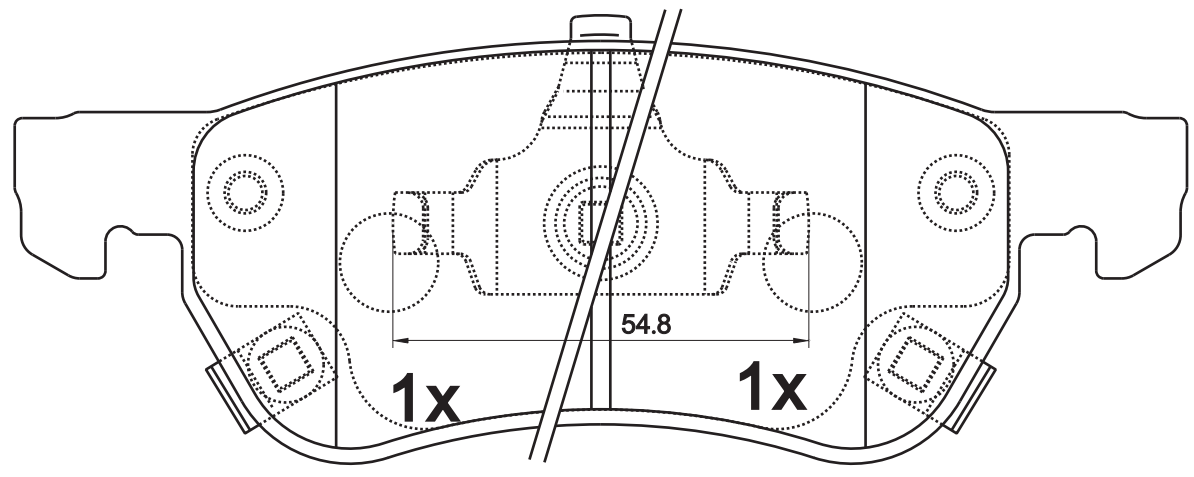
SR1052.01

Dimension (mm)	Thickness (mm)	
156.3X62.2 155X55.9	17	 

NOTE
2 identical; 2 identical, 1 with acoustic indicator (left), 1 with acoustic indicator (right).



GDB8009



Apply for:

Saic Motor Mg Gt (China)

2014

SR1053.01

**Dimension
(mm)**

104X41.9

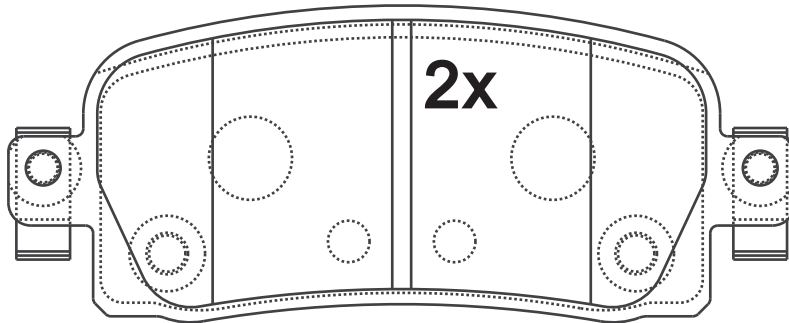
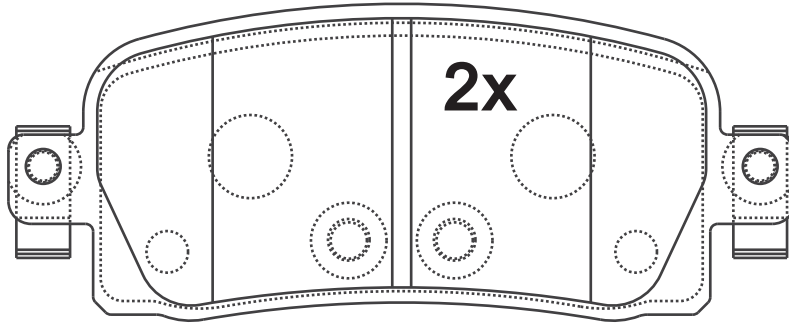
**Thickness
(mm)**

16



NOTE

2 identical; 2 identical,



QW13425

Apply for:

雪佛兰经典科鲁兹

2015

版次: A/3

SR1054.01

**Dimension
(mm)**

122.2X46.2

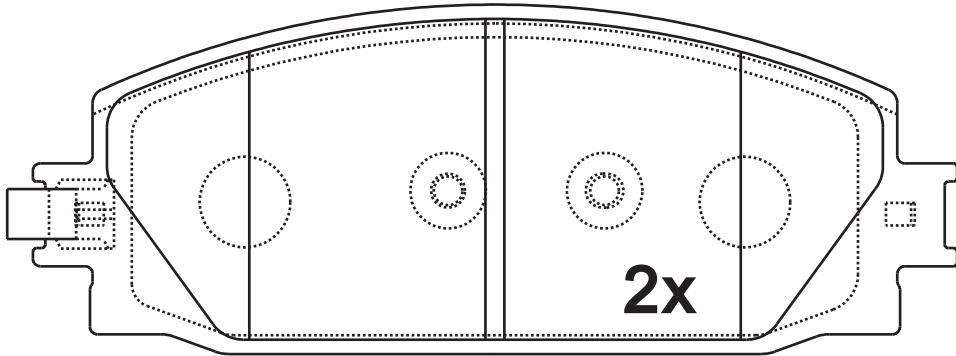
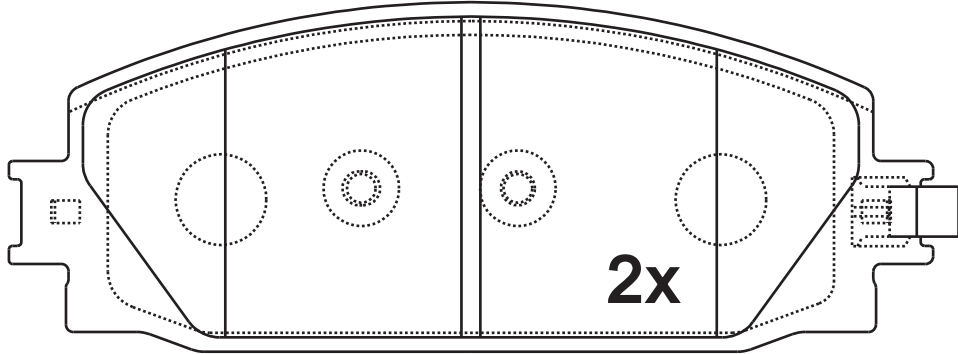
**Thickness
(mm)**

17.9



NOTE

2 identical; 2 identical,



QW13435

Apply for:

力帆X50 2014

版次: A/3

SR1055.01

**Dimension
(mm)**

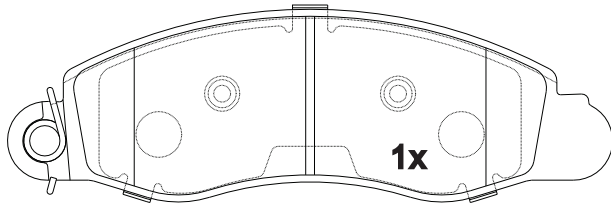
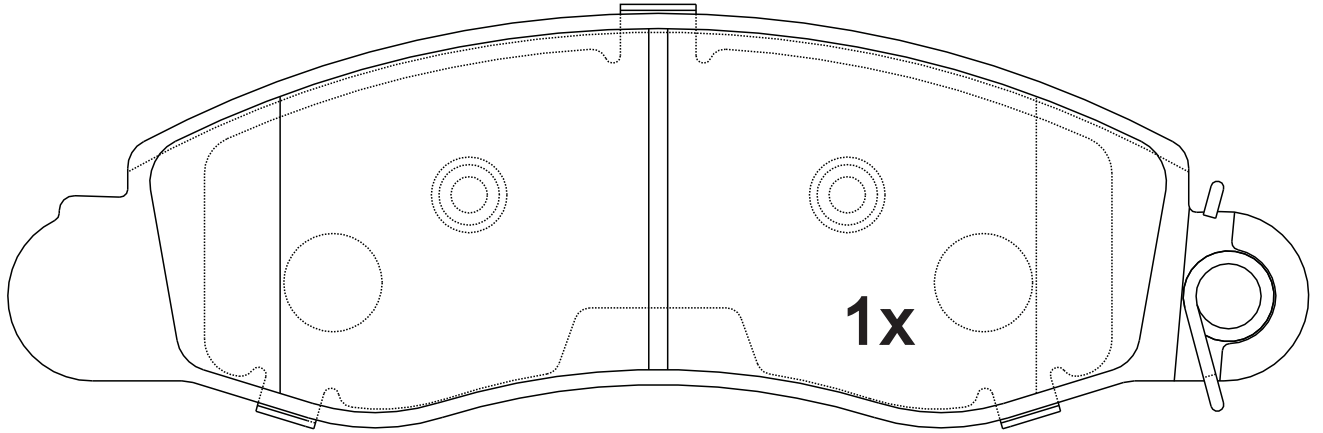
172.2X55

**Thickness
(mm)**

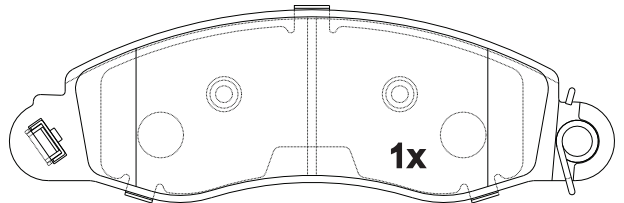
18.3



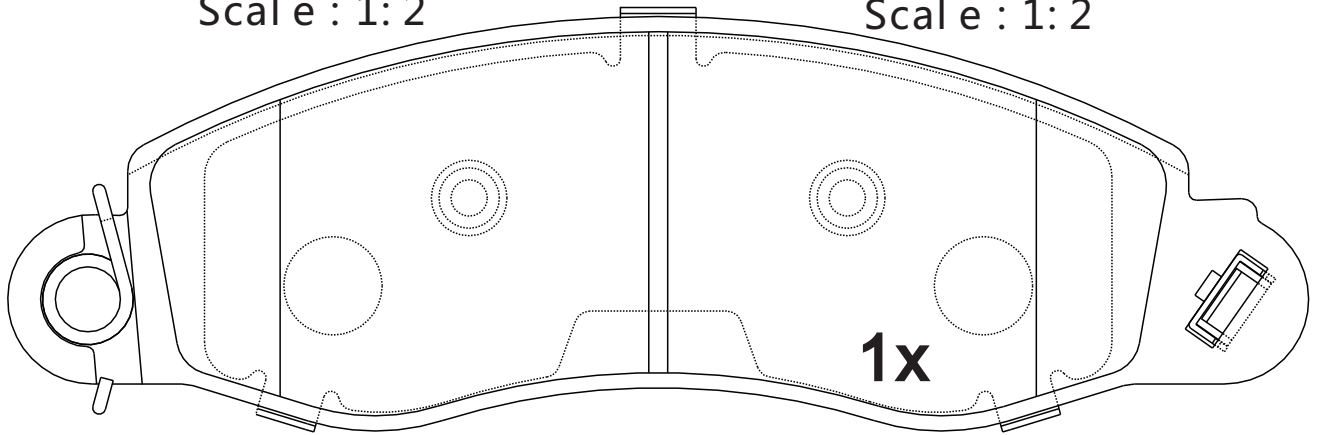
NOTE



Scale : 1:2



Scale : 1:2



QW13426

Apply for:

长安CX70 2016-

版次: A/3

SR1056.01

**Dimension
(mm)**

114X55.3
114X64.4

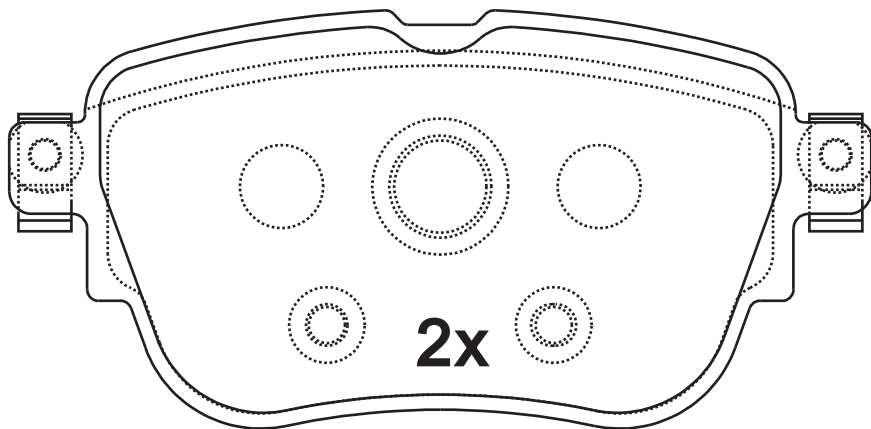
**Thickness
(mm)**

16

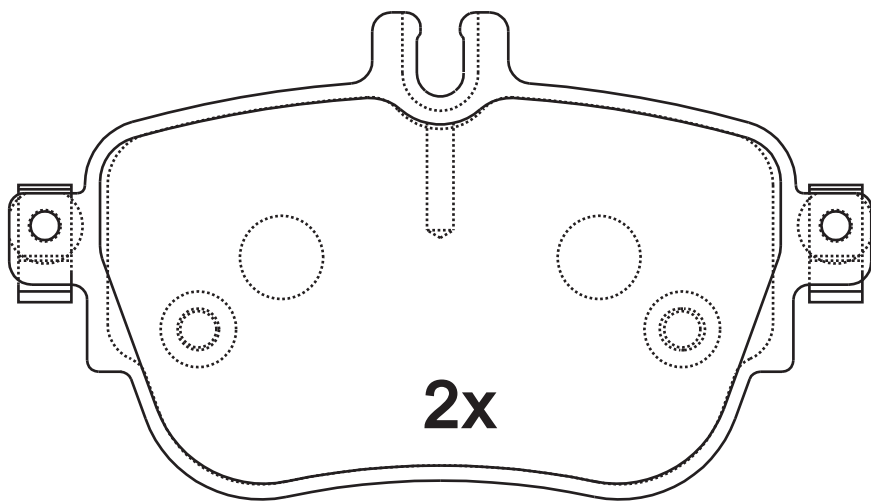


NOTE

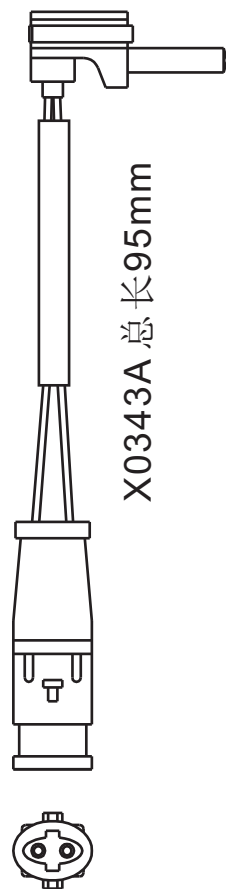
2 identical; 2 identical,



22437



22438



Apply for:

Mercedes Benz E-Class (W213)

2016/01-

Mercedes Benz E-Class T-Model (S213)

2016/07

SR1056.02

**Dimension
(mm)**

114X55.3
114X64.4

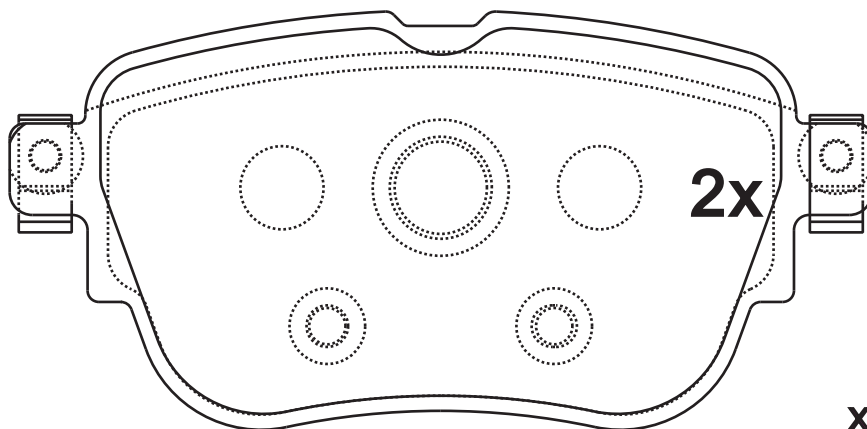
**Thickness
(mm)**

16

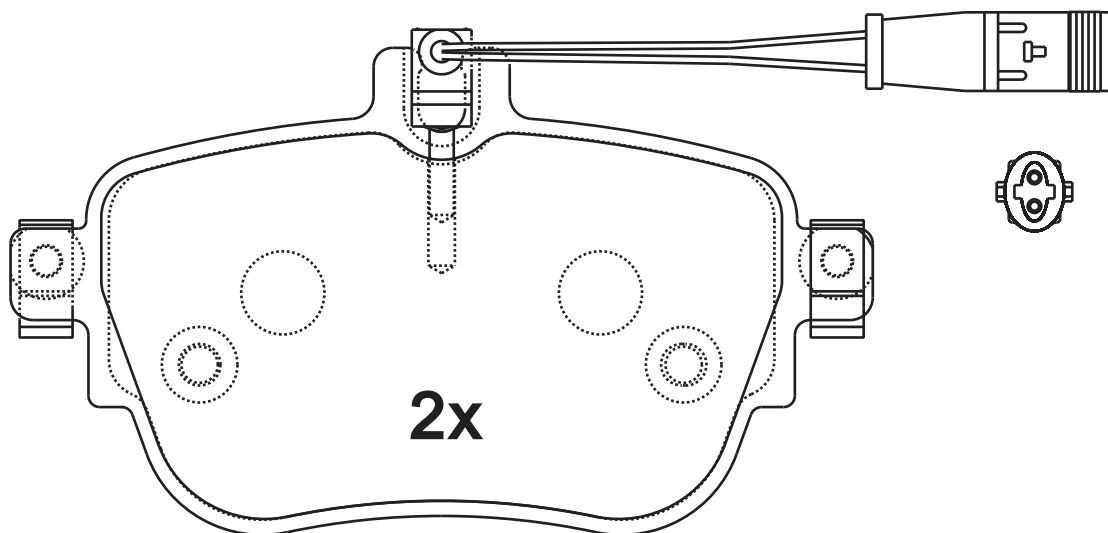


NOTE

2 identical; 2 identical,



X0343A (总长95mm)



Apply for:

Mercedes Benz E-Class (W213)

2016/01-

Mercedes Benz E-Class T-Model (S213)

2016/07-

SR1056

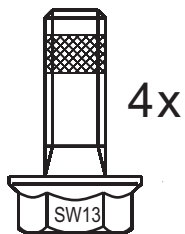
**Dimension
(mm)**

**Thickness
(mm)**



NOTE

附件包
Accessory bag



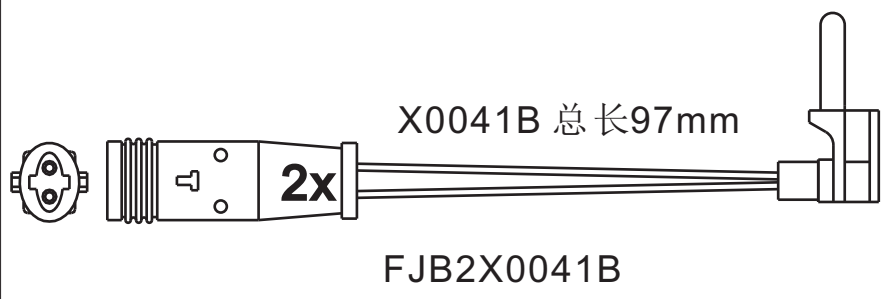
4x

M8X22

L0020

L0020

FJB280.01



SR1057.01

**Dimension
(mm)**

132.5X59.9

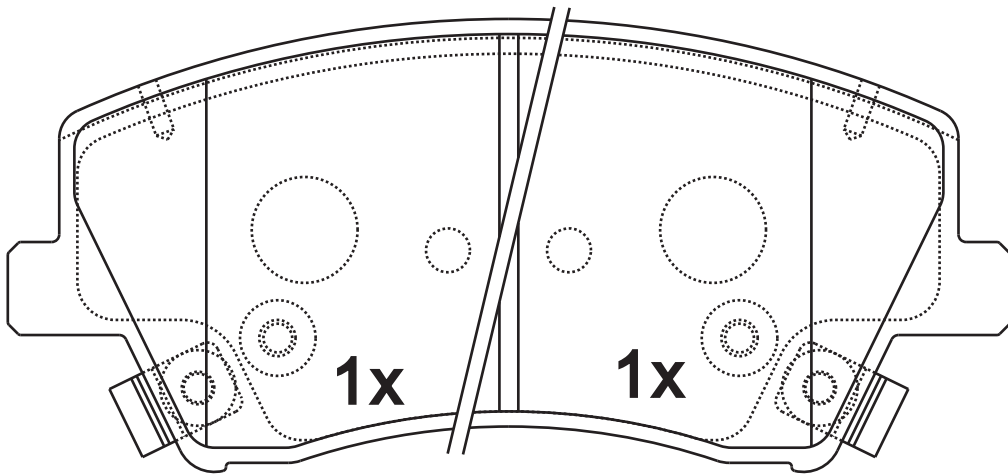
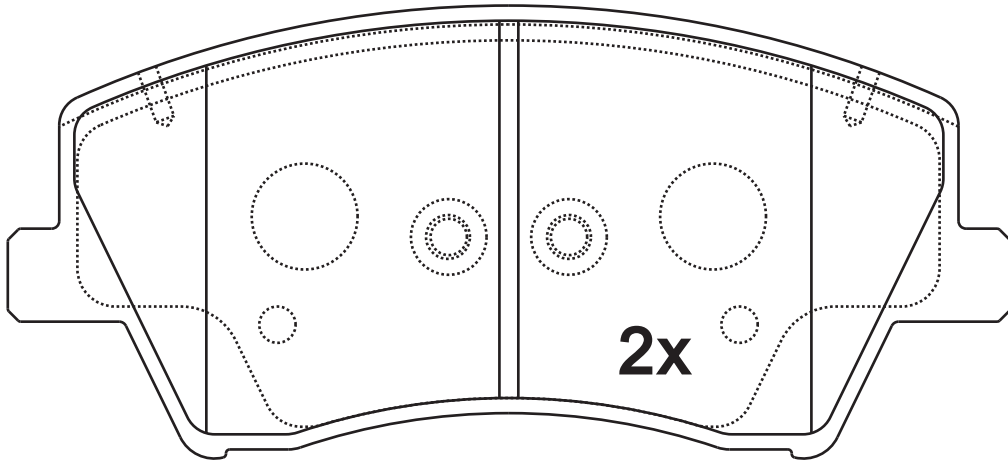
**Thickness
(mm)**

17.5



NOTE

2 identical; 2 identical, 1 with acoustic indicator (left), 1 with acoustic indicator (right).



GDB8029

QW13310


Apply for:

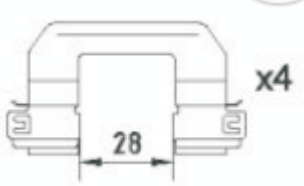
Hyundai Elantra Vi Saloon (Ad, Ada)

2016-

Kia Niro (De) 1.6 Gdi Hybrid

2016-

SR1057	Dimension (mm)	Thickness (mm)		NOTE



DX0082
FJB1057.01

SR1058.01

**Dimension
(mm)**

142.5X55.9

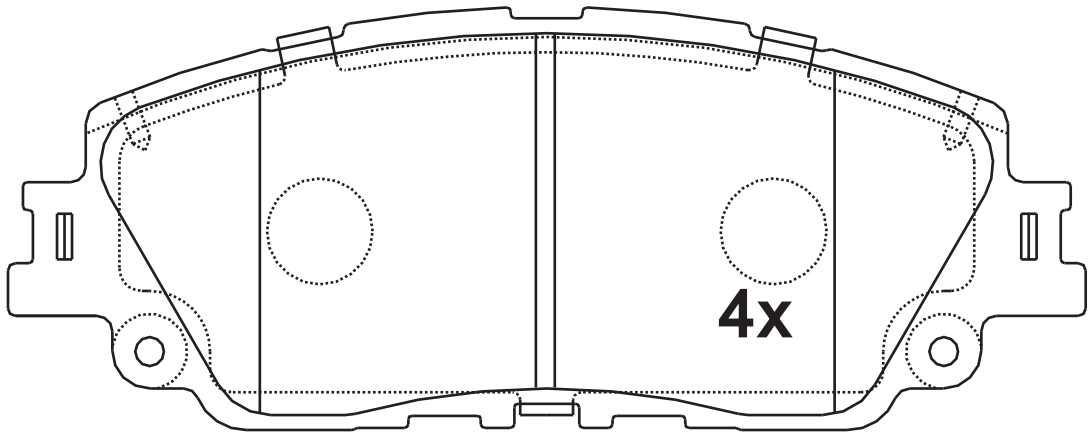
**Thickness
(mm)**

16.5



NOTE

4 identical;



D2076



Apply for:

丰田

SR1059.01

**Dimension
(mm)**

137X52

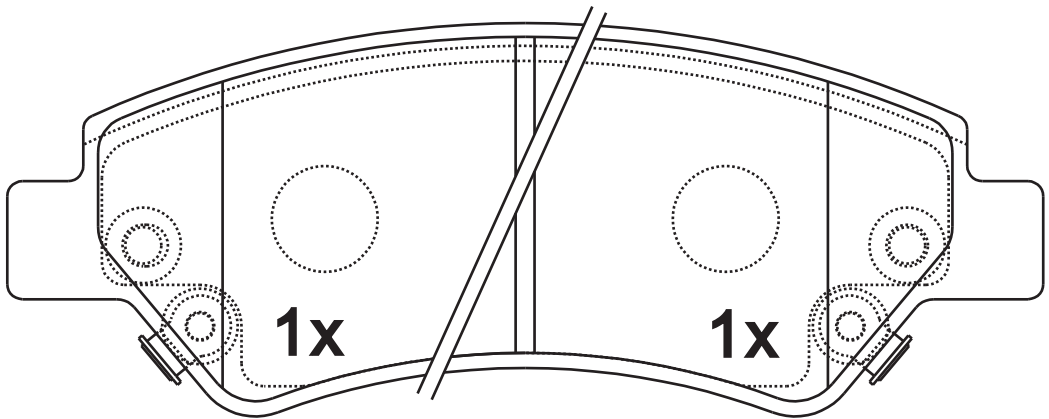
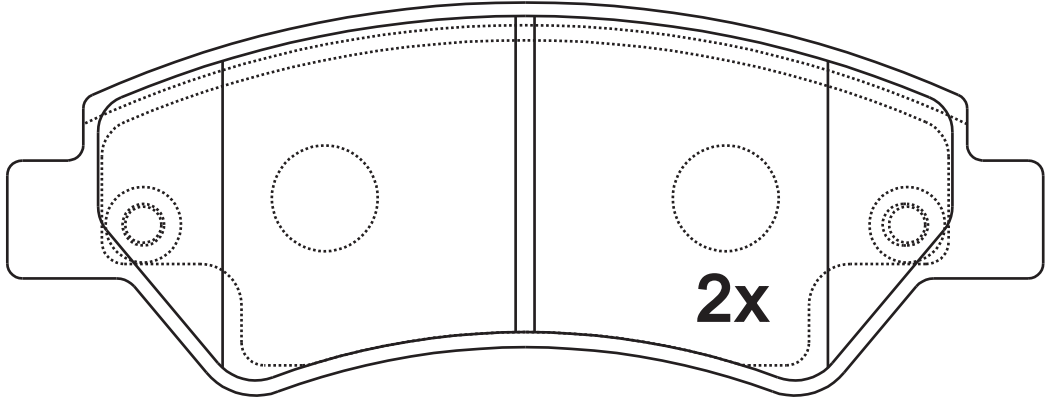
**Thickness
(mm)**

19



NOTE

2 identical; 2 identical, 1 with acoustic indicator (left), 1 with acoustic indicator (right).



QW12689

Apply for:

东风御风 2016

SR1060.01

**Dimension
(mm)**

157X55.2

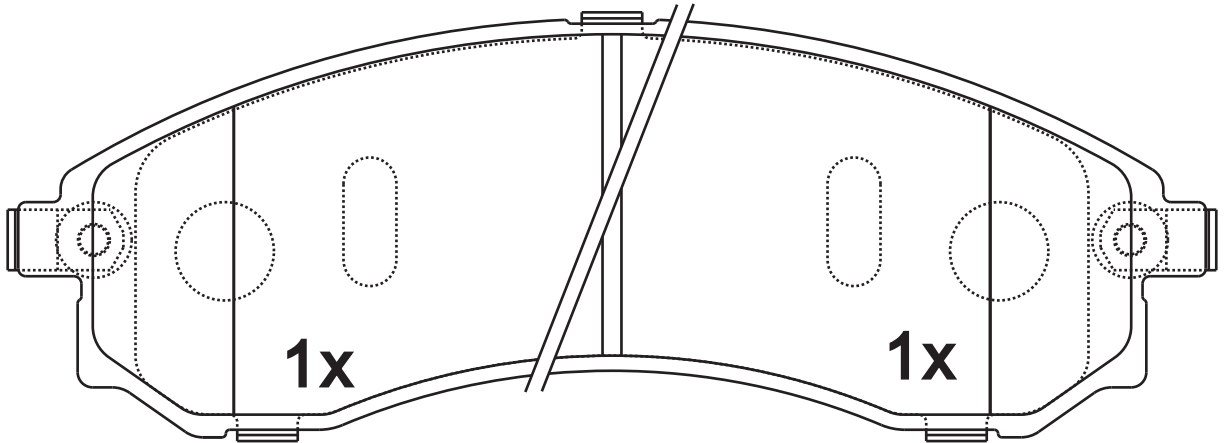
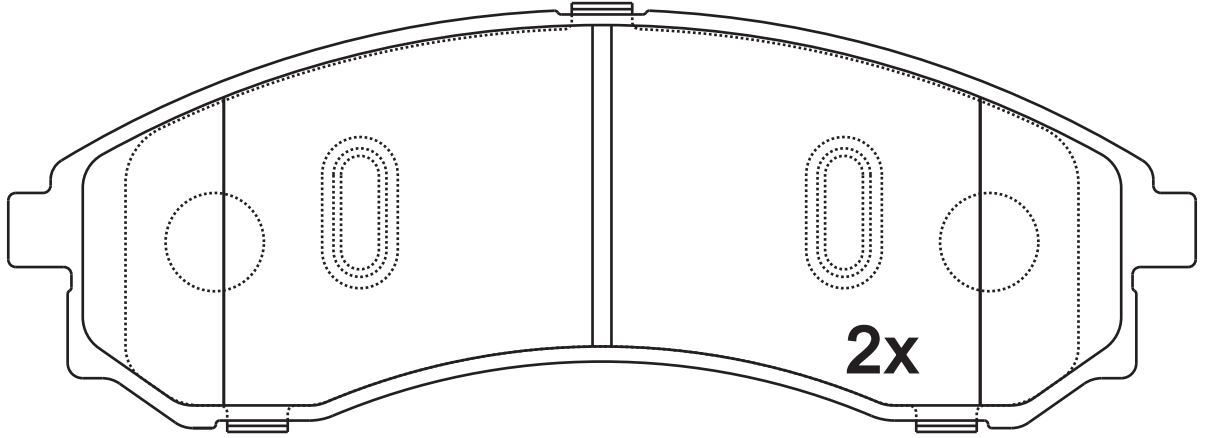
**Thickness
(mm)**

16.3



NOTE

2 identical; 2 identical, 1 with acoustic indicator (left), 1 with acoustic indicator (right).



3500888U239F01
QW13415

Apply for:

Jac Refine M4 1.5 Hyboost

2017-

SR1061.01

**Dimension
(mm)**

128.1X56.1

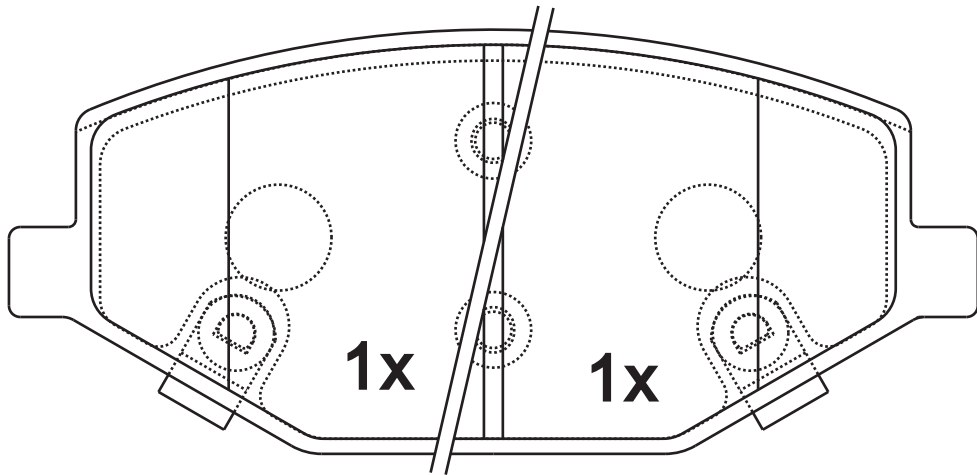
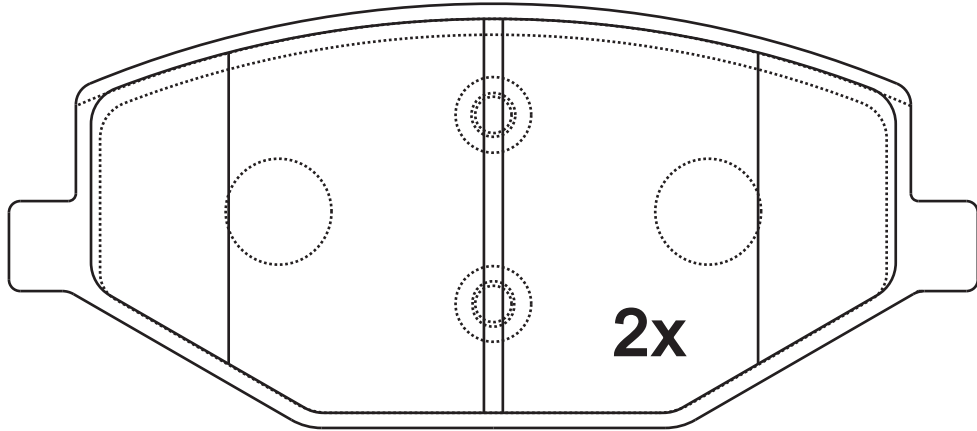
**Thickness
(mm)**

16.5



NOTE

2 identical; 2 identical, 1 with acoustic indicator (left), 1 with acoustic indicator (right).





QW13417

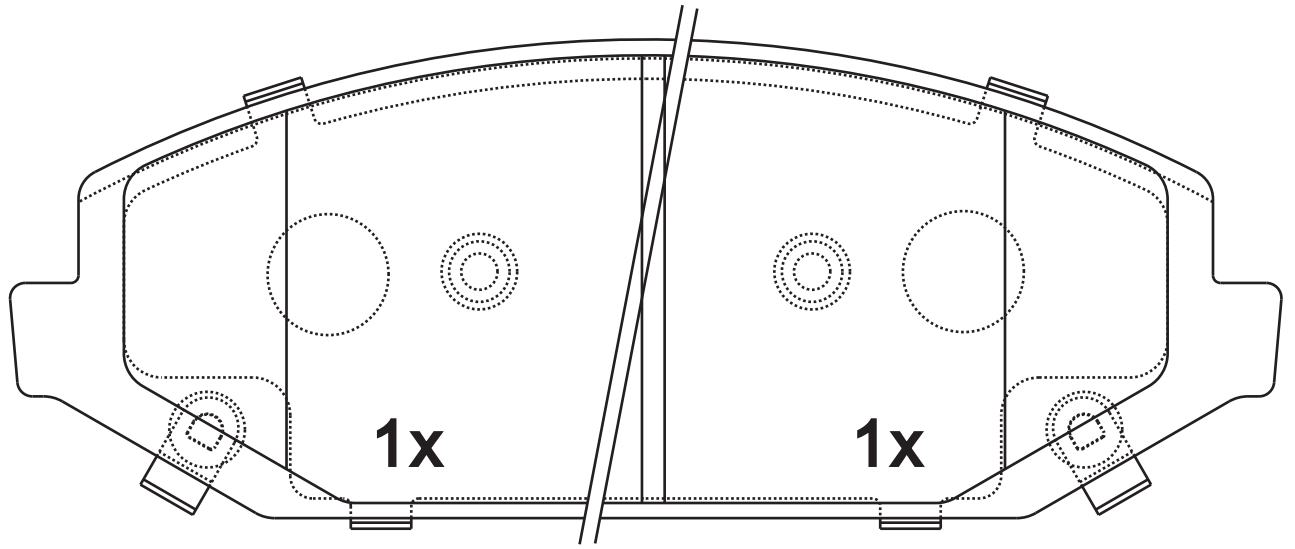
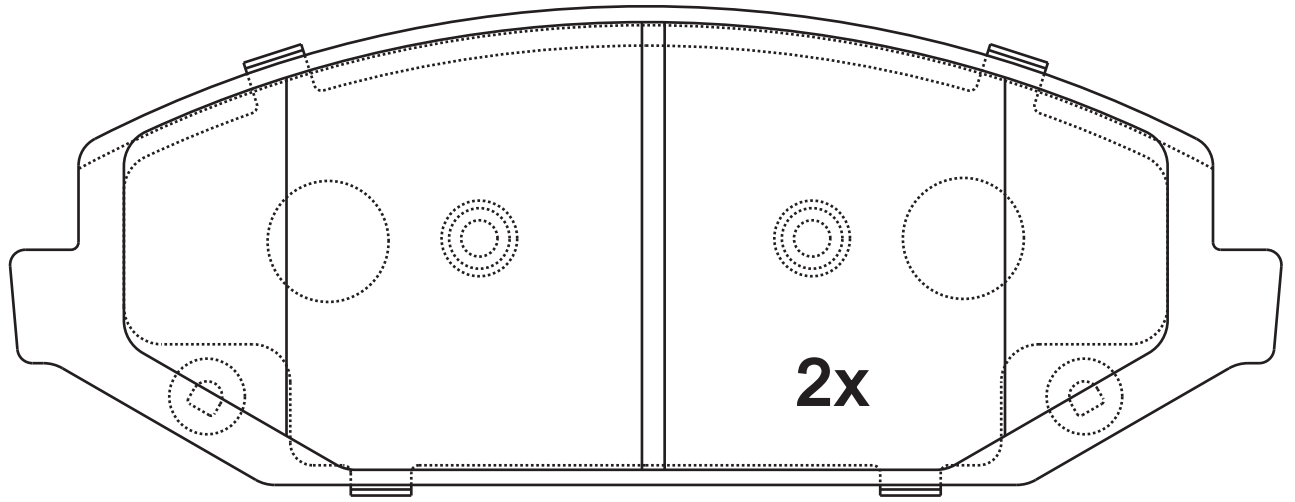
Apply for:

东风风行景逸XV 2016

SR1062.01

Dimension (mm)	Thickness (mm)	
168.1X63.3	17.6	 

NOTE
2 identical;2 identical,1 with acoustic indicator (left),1 with acoustic indicator(right).





QW13404

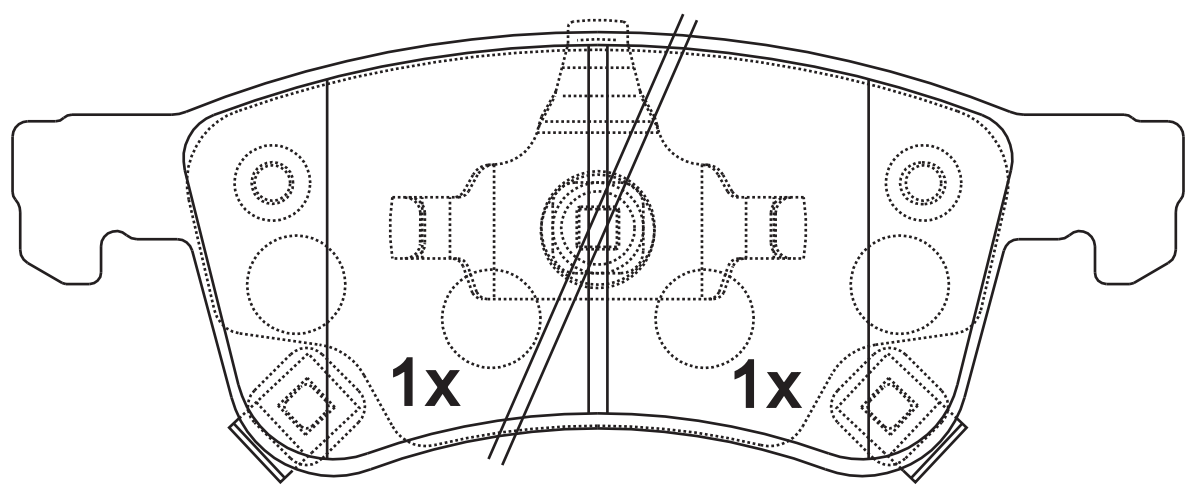
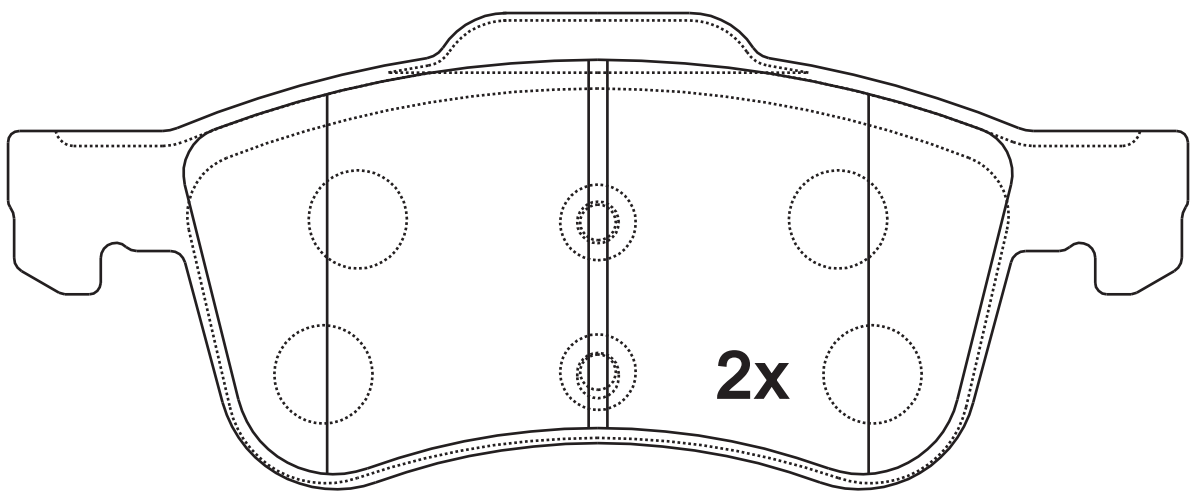
Apply for:

- 江淮瑞风S7 2017
- JAC S7 2021

SR1063.01

Dimension (mm)	Thickness (mm)	
156X63 154.8X58.7	16.6	 

NOTE
2 identical; 2 identical, 1 with acoustic indicator (left), 1 with acoustic indicator (right).



QW13305

Apply for:

五菱征程

2015

SR1064.01

**Dimension
(mm)**

181.7X70.5

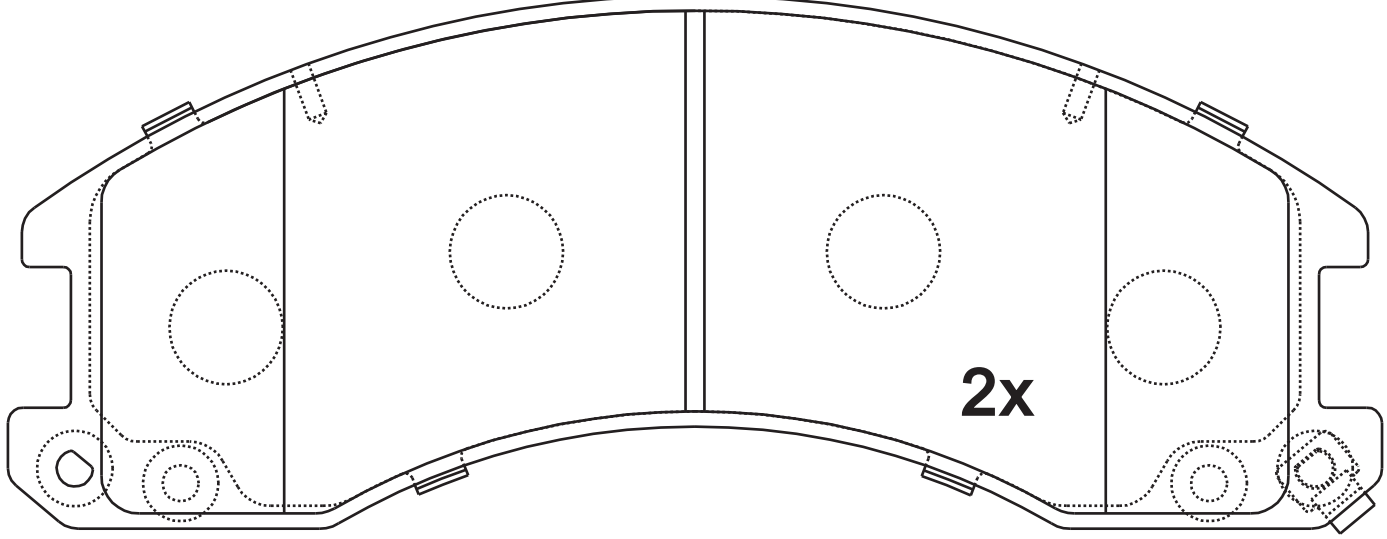
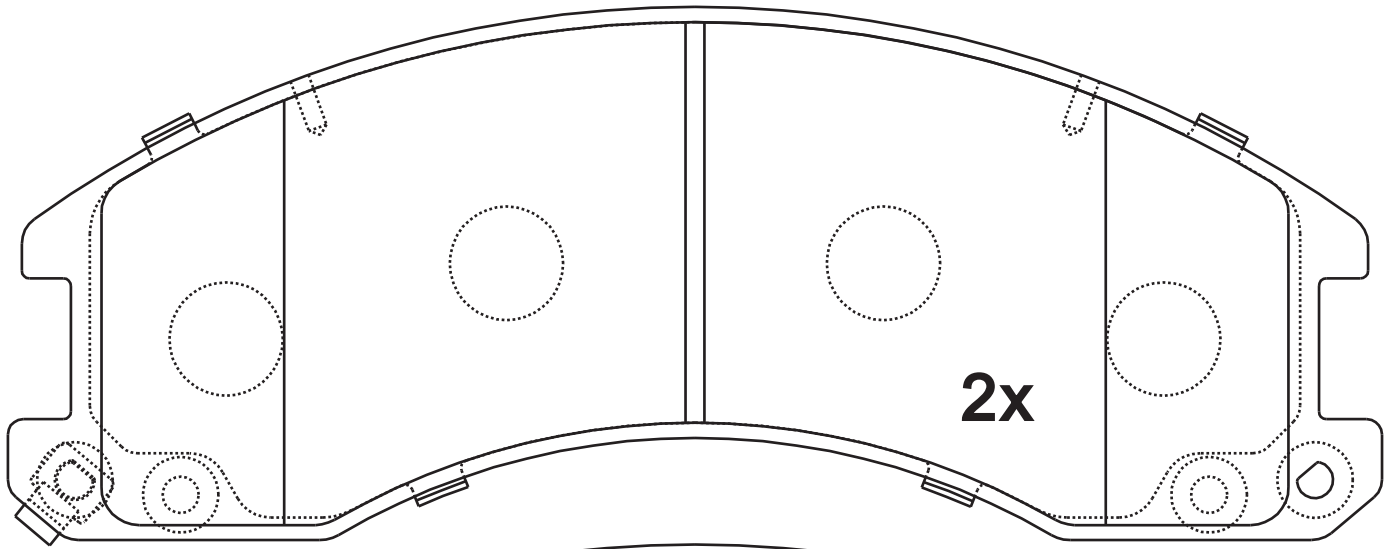
**Thickness
(mm)**

19.8



NOTE

2 identical; 2 identical,



D1927

Apply for:

Foton Aumark (Latin America)

2015-

SR1065.01

**Dimension
(mm)**

144.4X56.7

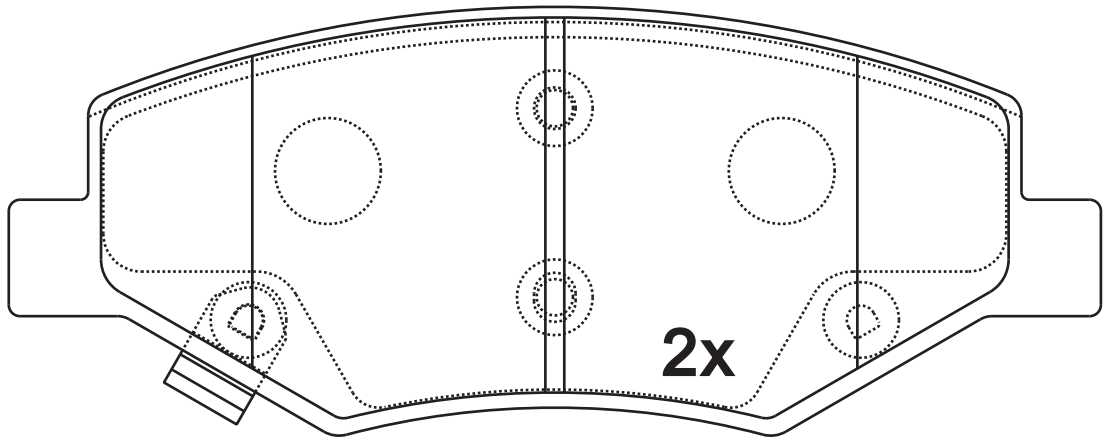
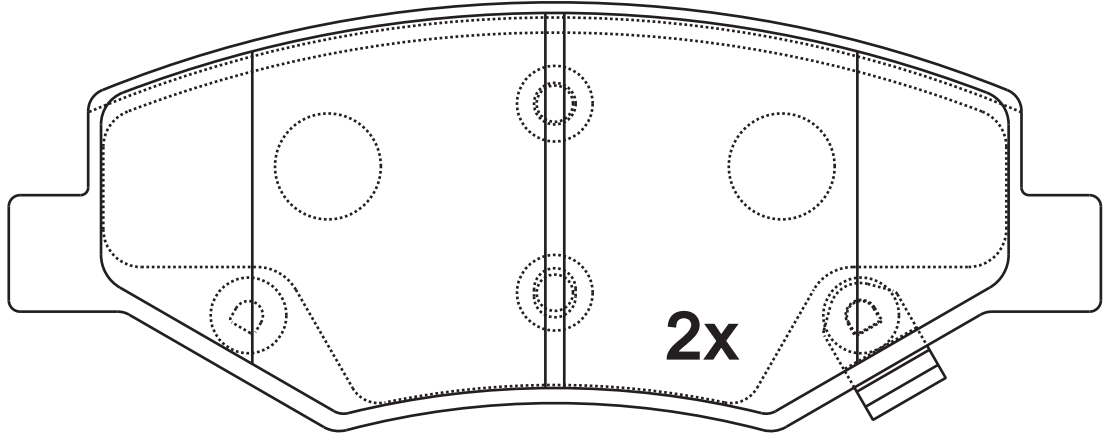
**Thickness
(mm)**

17



NOTE

2 identical;2 identical,





QW13465

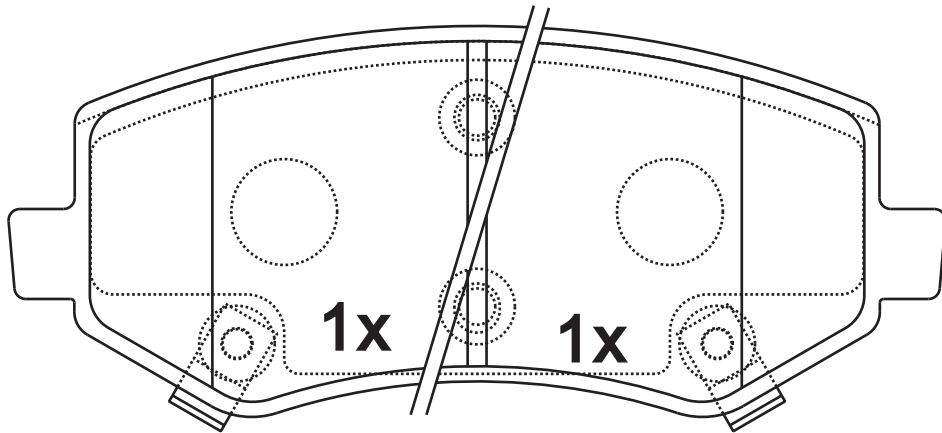
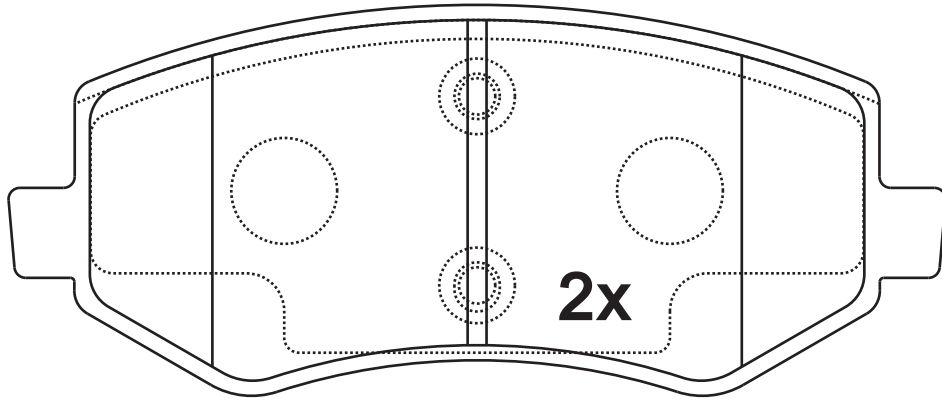
Apply for:

比亚迪宋MAX 2018

SR1066.01

Dimension (mm)	Thickness (mm)	
123.9X51.7	16.9	 

NOTE
2 identical; 2 identical, 1 with acoustic indicator (left), 1 with acoustic indicator (right).



QW13466

Apply for:

宝骏310W

2017

SR1067.01

**Dimension
(mm)**

128X50.9

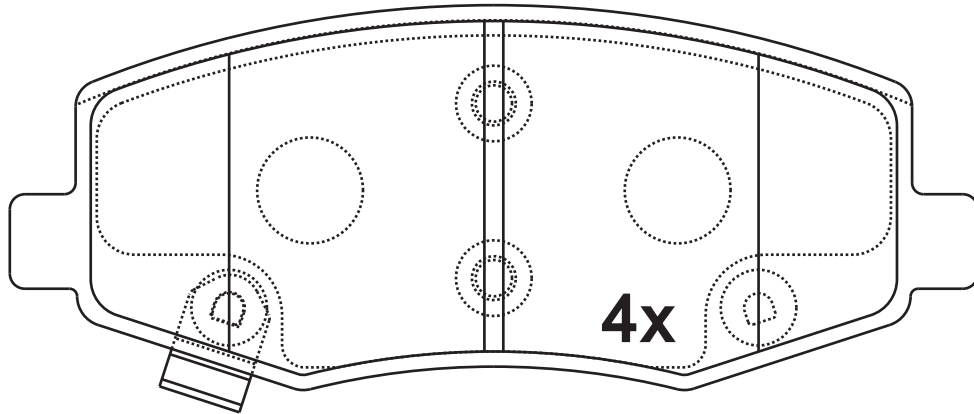
**Thickness
(mm)**

17.5



NOTE

4 identical;



QW13458

Apply for:

中华H3

2017

SR1068.01

**Dimension
(mm)**

148.8X52.3

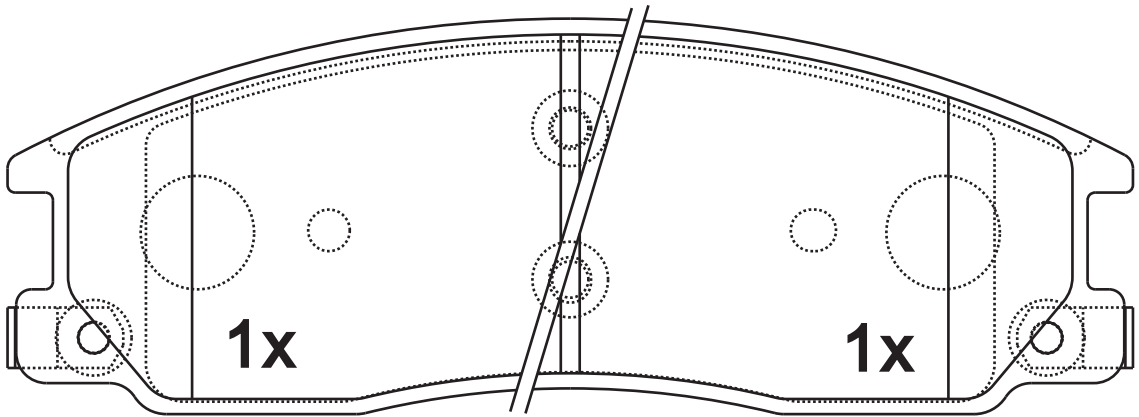
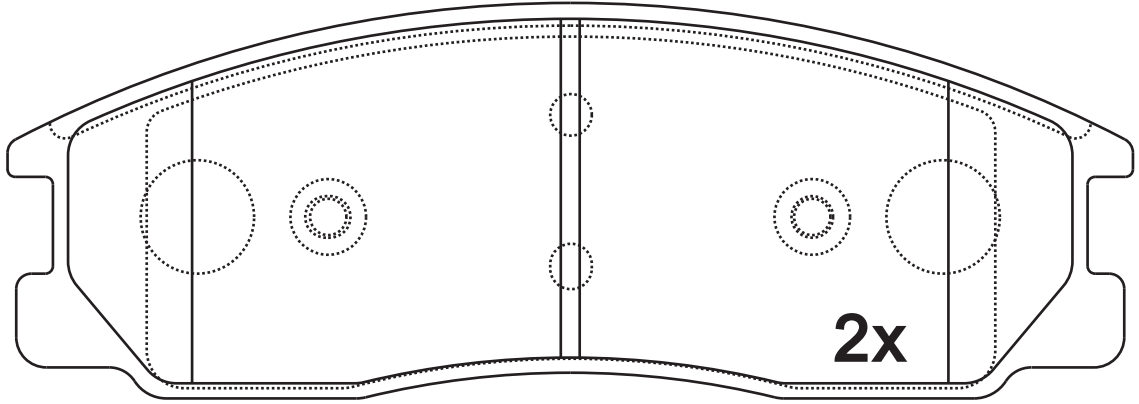
**Thickness
(mm)**

16.3



NOTE

2 identical; 2 identical, 1 with acoustic indicator (left), 1 with acoustic indicator (right).





QW13456

Apply for:

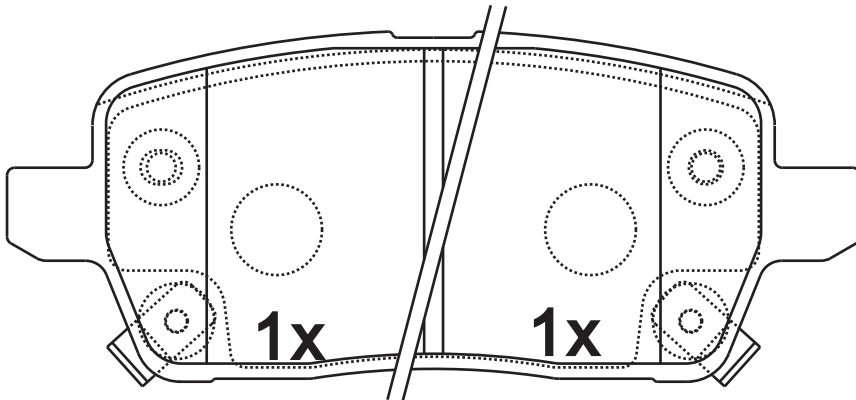
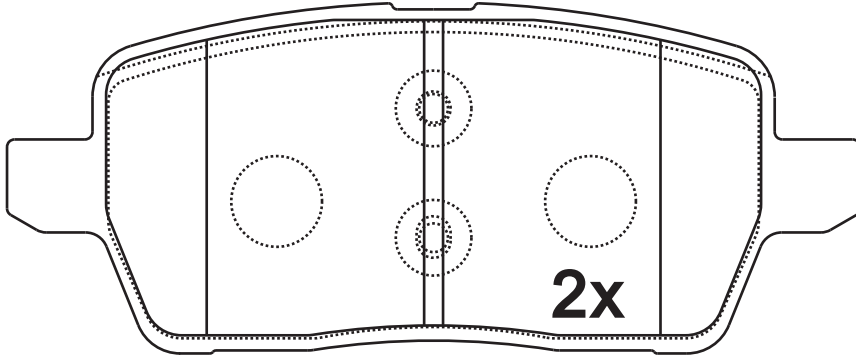
金杯F50

2017

SR1069.01

Dimension (mm)	Thickness (mm)	
112.8X46.3	15.8	



NOTE
2 identical; 2 identical, 1 with acoustic indicator (left), 1 with acoustic indicator (right).



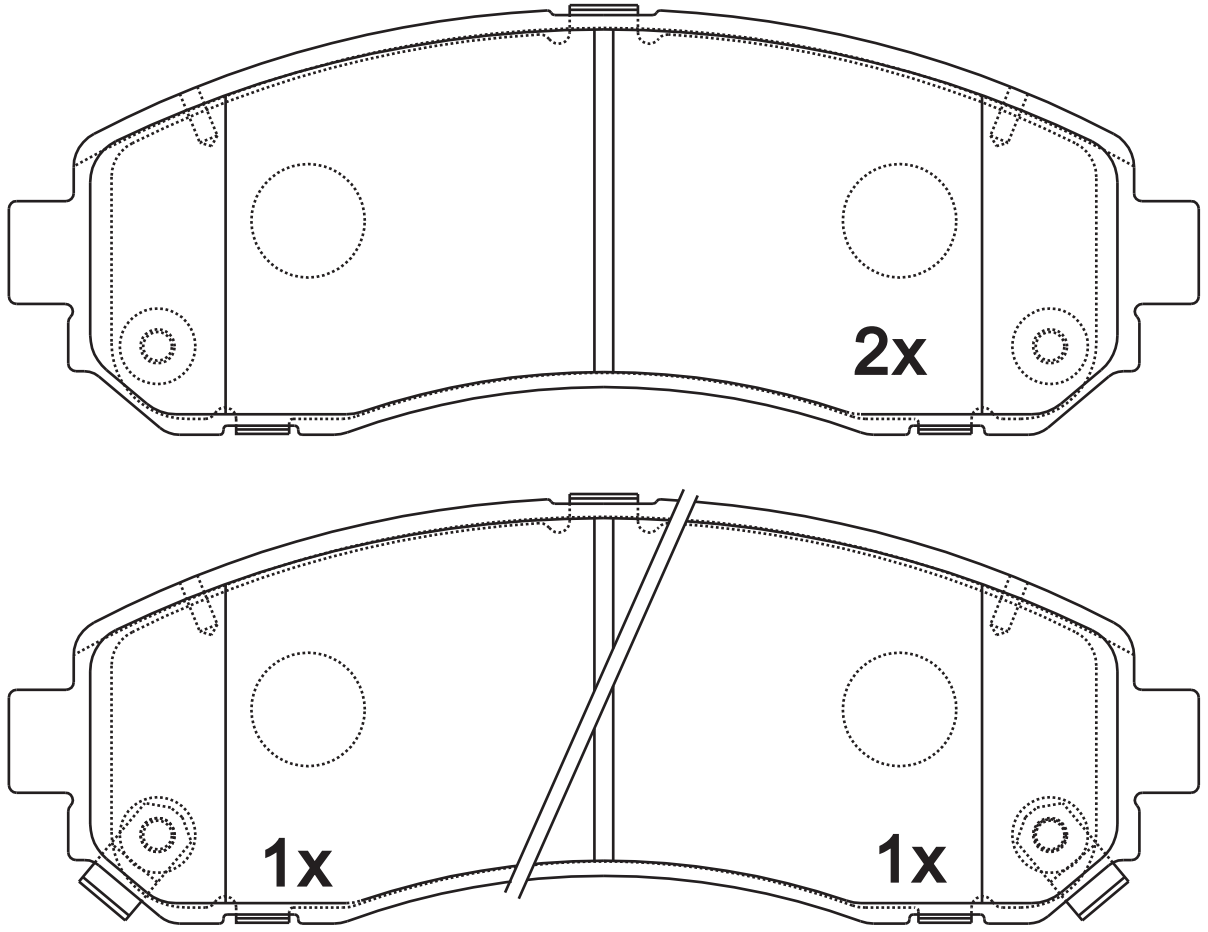
QW13437

Apply for:
力帆X80 2017

SR1070.01

Dimension (mm)	Thickness (mm)	
157.6X56.2	16.6	 

NOTE
2 identical; 2 identical, 1 with acoustic indicator (left), 1 with acoustic indicator (right).



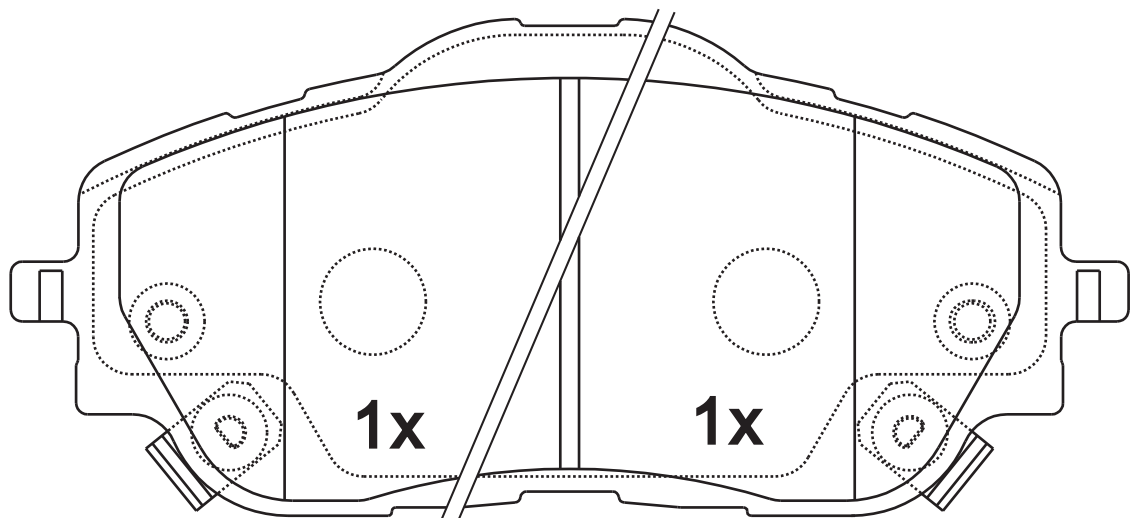
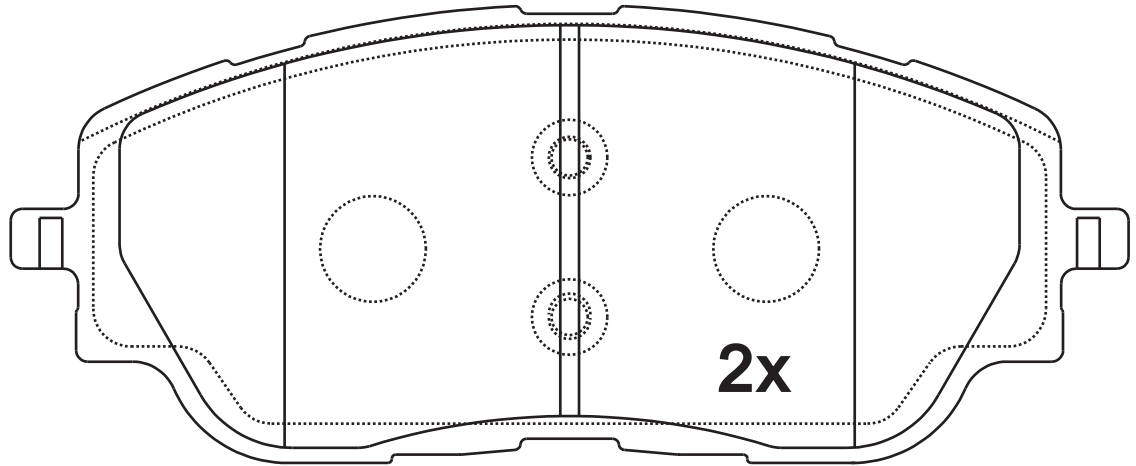
QW13454

Apply for:
长安睿骋 2013-

SR1071.01

Dimension (mm)	Thickness (mm)	
147.8X65.7 147.8X60.4	18	 

NOTE
2 identical; 2 identical, 1 with acoustic indicator (left), 1 with acoustic indicator (right).



8x

QW13438

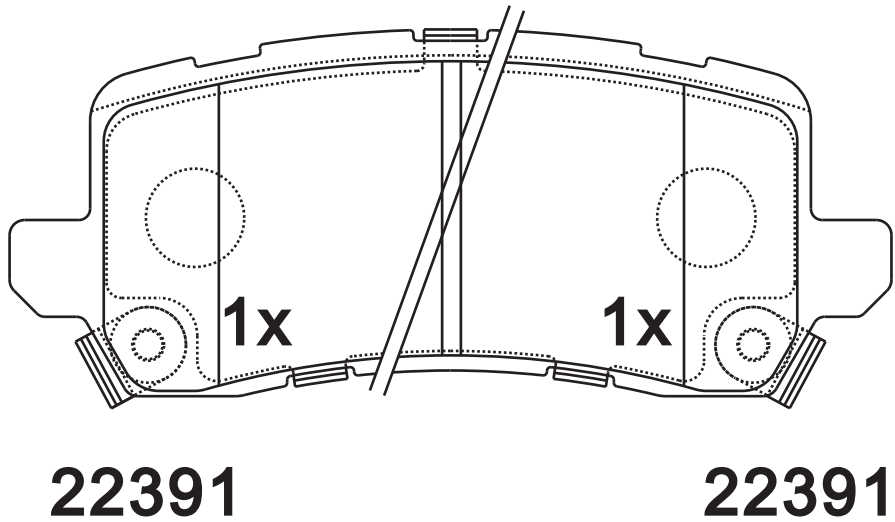
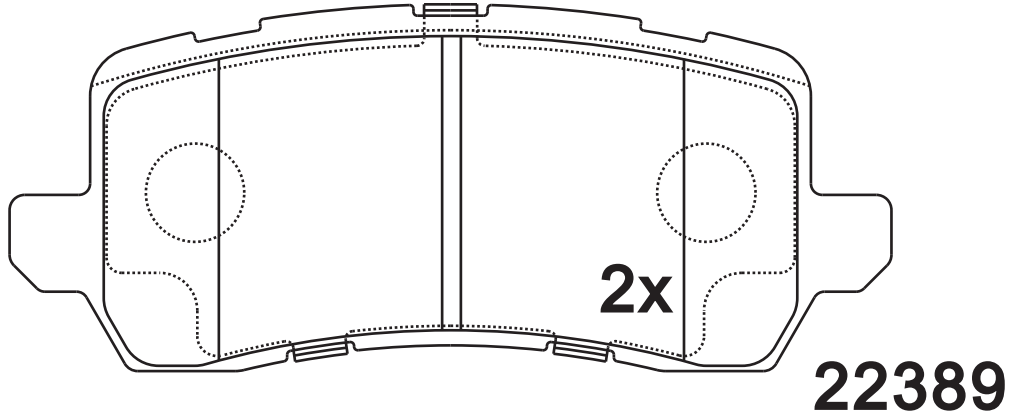
Apply for:

江铃驭胜S330 2016

SR1072.01

Dimension (mm)	Thickness (mm)	
116.7X48.3	15.5	



NOTE
2 identical;2 identical,1 with acoustic indicator (left),1 with acoustic indicator(right).



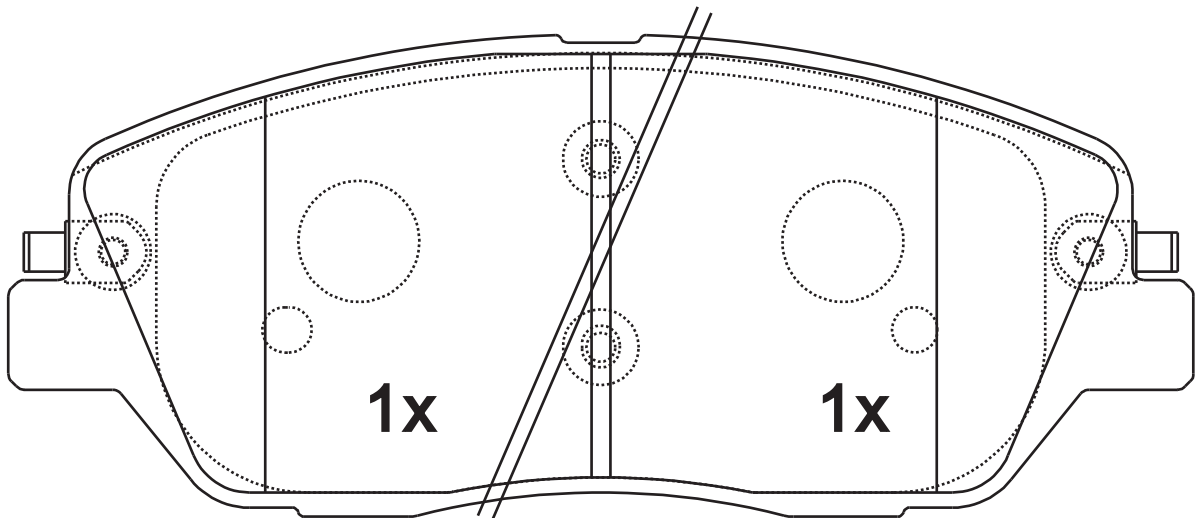
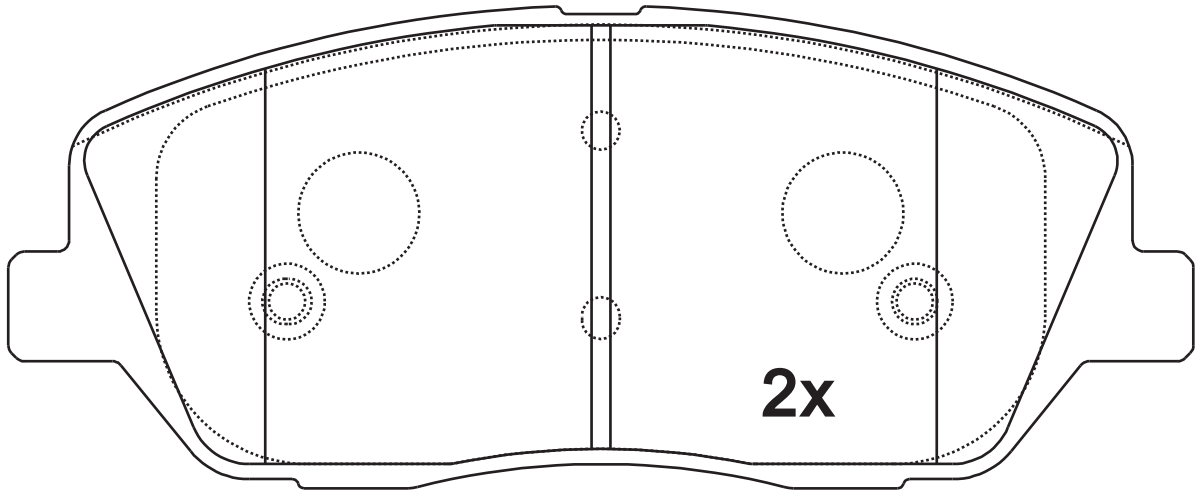
Apply for:

讴歌 RXL 2014
讴歌 RXL Sport Hybrid 2014

SR1073.01

Dimension (mm)	Thickness (mm)	
156.7X64	16.3	 

NOTE
2 identical; 2 identical, 1 with acoustic indicator (left), 1 with acoustic indicator (right).



LJP1385
D1385-8493

Apply for:
Kia Borrego

2009-2011

SR1074.01

**Dimension
(mm)**

125.6X59.5

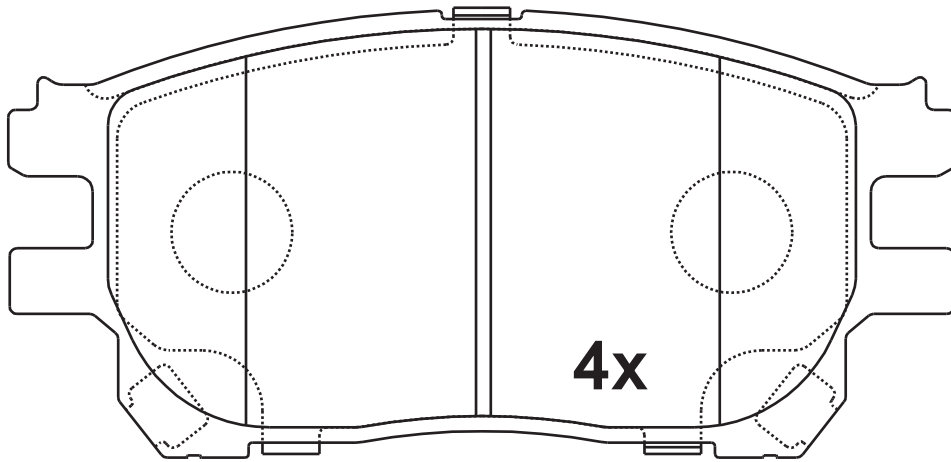
**Thickness
(mm)**

17



NOTE

4 identical;



23759

Apply for:

Toyota Previa (_R3_)

2000/02-2006/02

SR1075.01

**Dimension
(mm)**

87.5X41.9

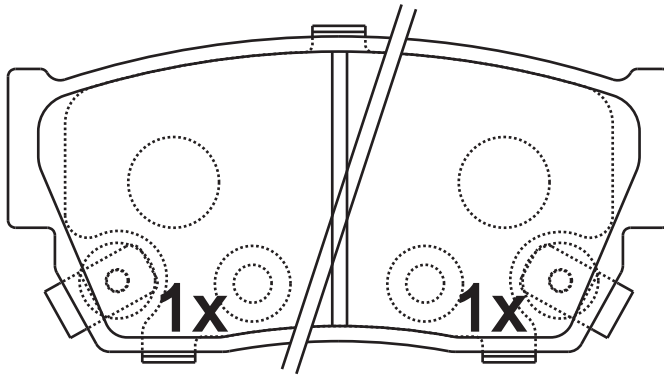
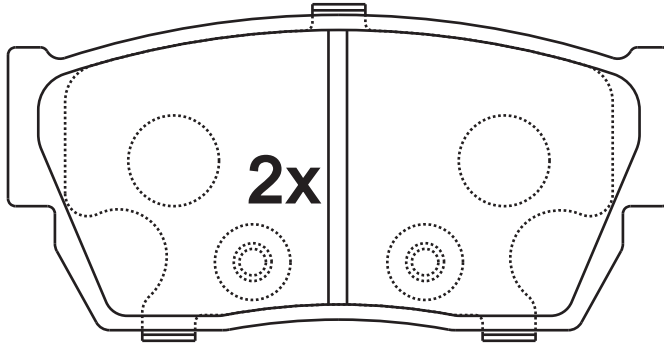
**Thickness
(mm)**

15



NOTE

2 identical; 2 identical, 1 with acoustic indicator (left), 1 with acoustic indicator (right).



LJPL0422

Apply for:

华泰 吉田 2004

SR1076.01

**Dimension
(mm)**

110.3X46.3

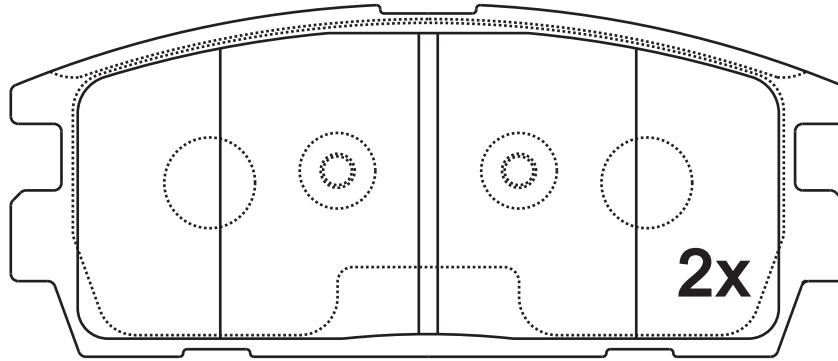
**Thickness
(mm)**

15.8

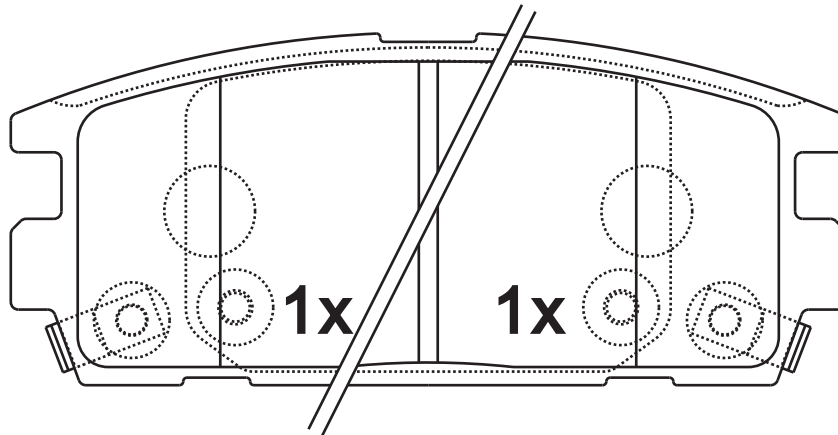


NOTE

2 identical; 2 identical, 1 with acoustic indicator (left), 1 with acoustic indicator (right).



23813



24202

24201

Apply for:

Hyundai (Huatai) Terracan Closed Off-Road Vehicle 2003/03-2012/11

SR1077.01

**Dimension
(mm)**

137.1X52.4

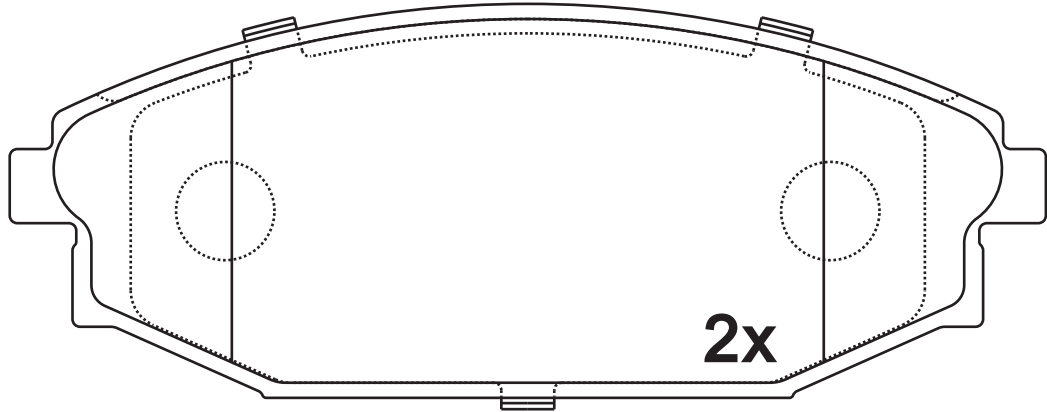
**Thickness
(mm)**

17.5

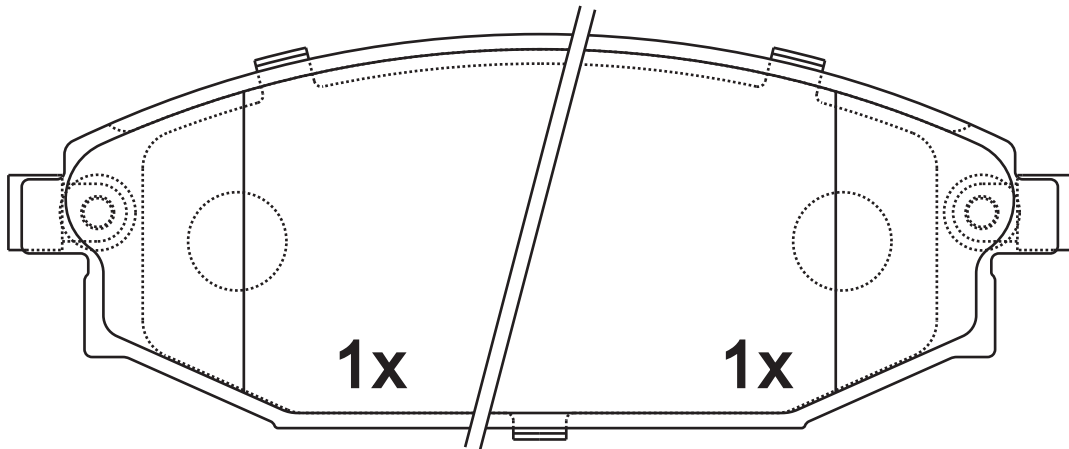


NOTE

2 identical; 2 identical, 1 with acoustic indicator (left), 1 with acoustic indicator (right).



23518



23519

23520

Apply for:

华泰吉田 2000-2006

SR1077

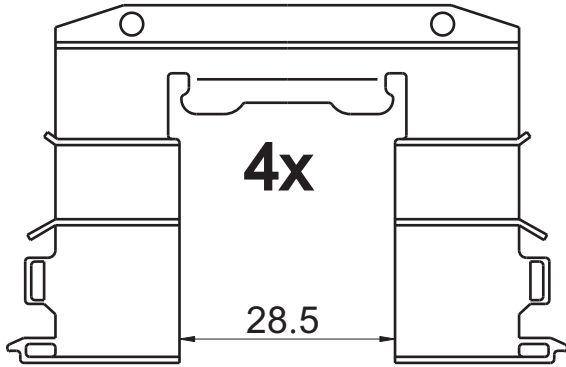
**Dimension
(mm)**

**Thickness
(mm)**



NOTE

附件包
Accessory bag



SR1078.01

**Dimension
(mm)**

166.8X61.1

**Thickness
(mm)**

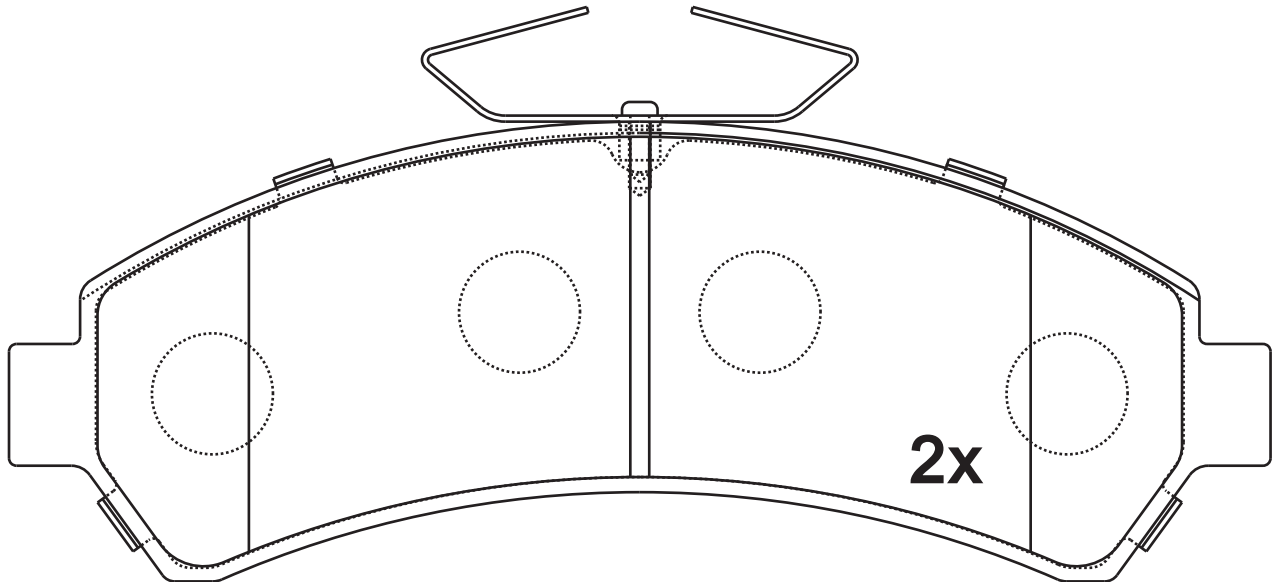
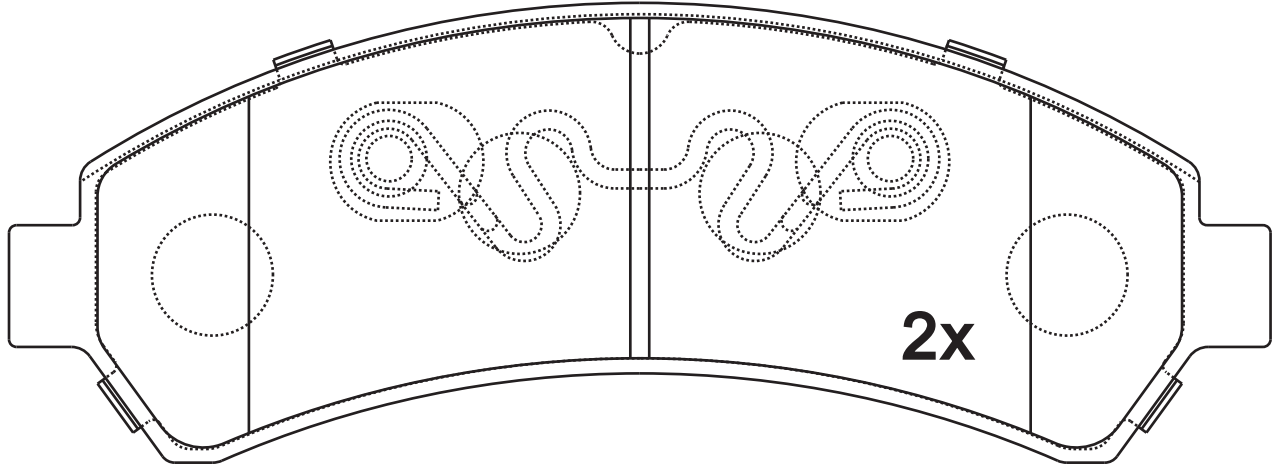
16.5



NOTE

2 identical; 2 identical,

无模具



LJPL0043

Apply for:

雪佛兰开拓者两驱

SR1079.01

**Dimension
(mm)**

102.7X47

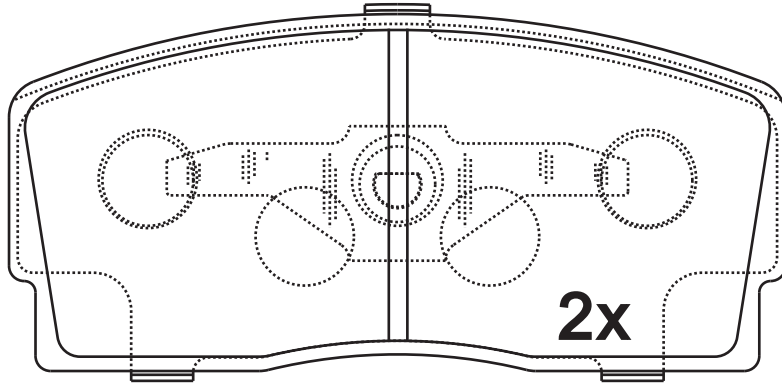
**Thickness
(mm)**

14.5



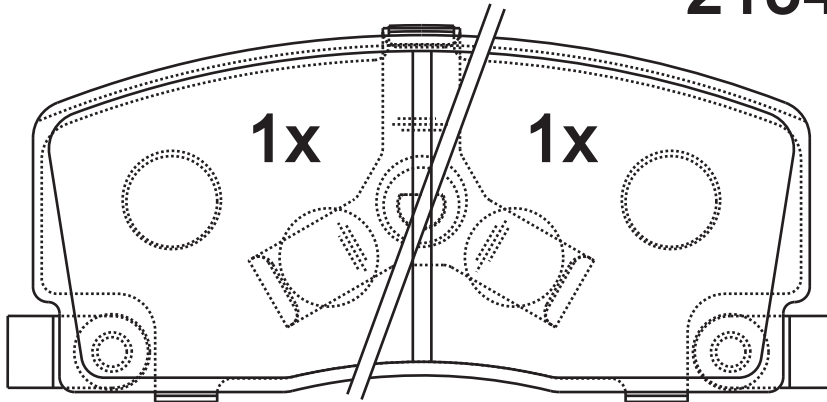
NOTE

2 identical; 2 identical, 1 with acoustic indicator (left), 1 with acoustic indicator (right).



21339

21340



21338

Apply for:

Geely Mr Hatchback

2005/05-

Daihatsu Charade Iii (G100, G101, G102)

1987/01-1993/07

SR1080.01

**Dimension
(mm)**

145.2X58.4

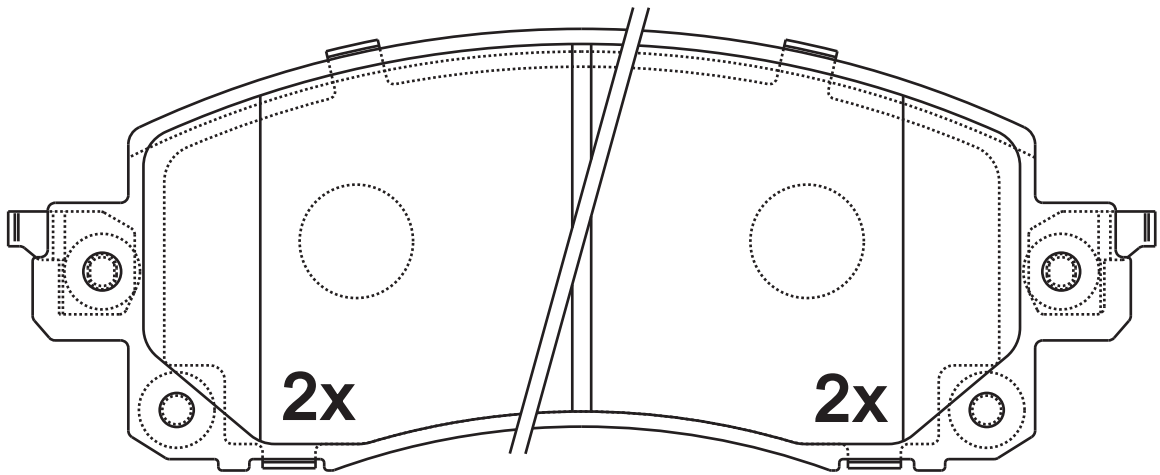
**Thickness
(mm)**

17.5



NOTE

2 identical;2 identical,



D2045

Apply for:
Subaru Impreza

2017

SR1081.01

**Dimension
(mm)**

76.8X70

**Thickness
(mm)**

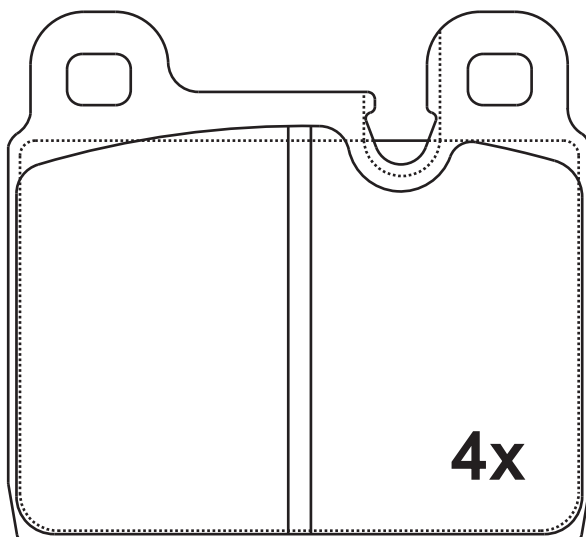
15



NOTE

4 identical;

无模具



20922

Apply for:

保时捷进口) 911

1963/01-1990/11

保时捷(进口) 911 Targa

1964/01-1990/11

保时捷(进口) 911 Convertible

1982/08-1989/08

SR1082.01

**Dimension
(mm)**

126.6X49

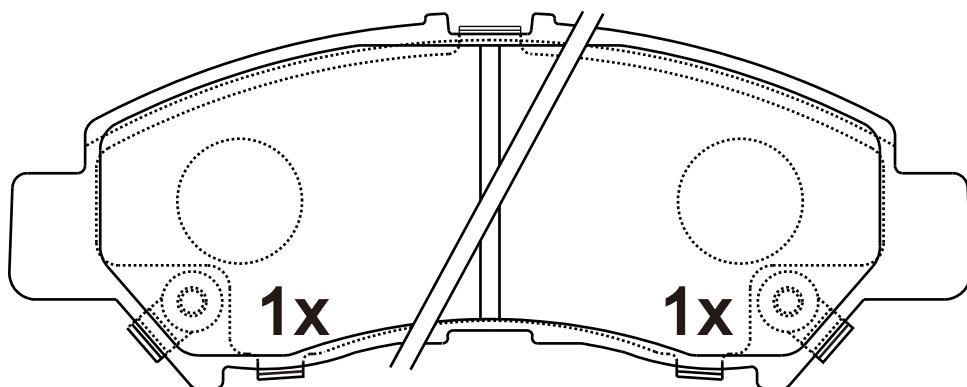
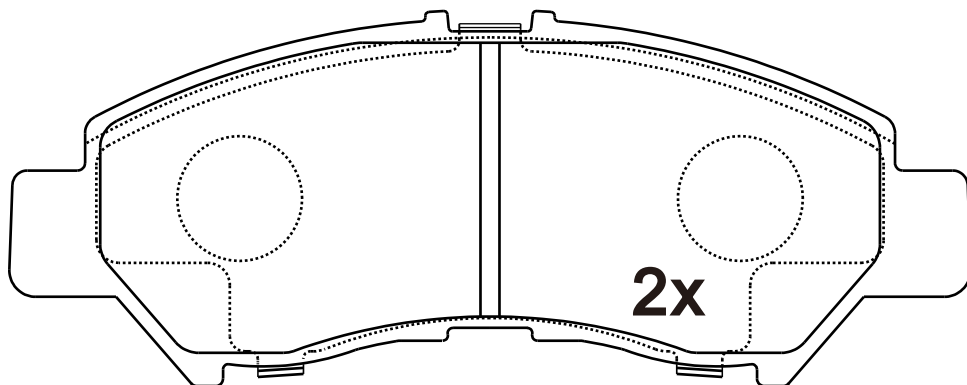
**Thickness
(mm)**

14.7



NOTE

2 identical; 2 identical, 1 with acoustic indicator (left), 1 with acoustic indicator (right).



04491-BZ030

Apply for:

大发
丰田

SR1083.01

**Dimension
(mm)**

133X57.1

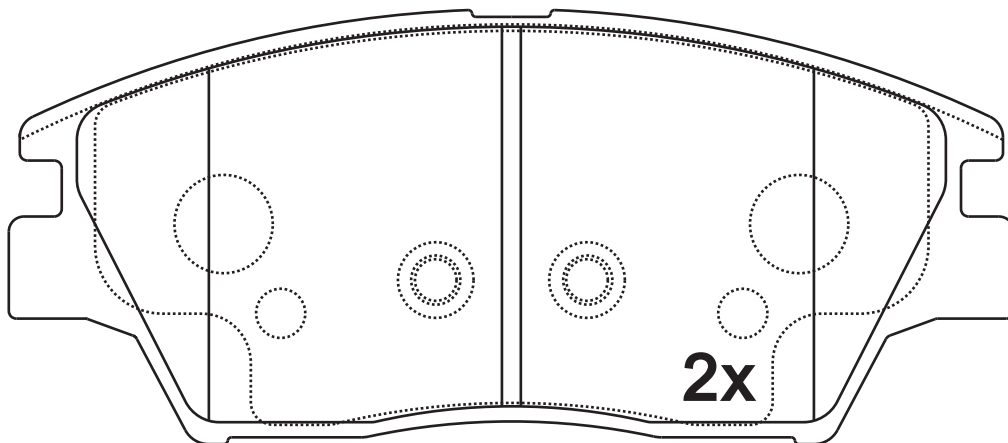
**Thickness
(mm)**

17.9

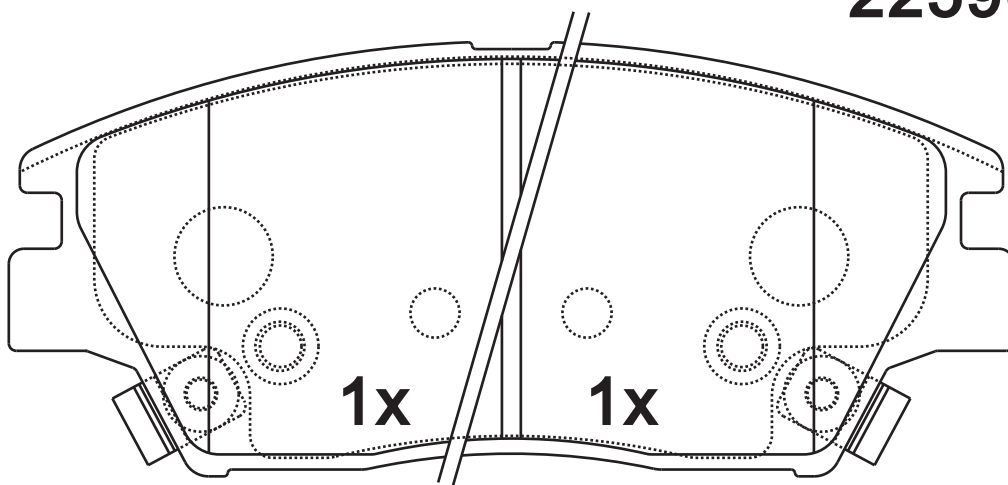


NOTE

2 identical; 2 identical, 1 with acoustic indicator (left), 1 with acoustic indicator (right).



22590



22592

22591

Apply for:

Ssangyong Tivoli

2015/01-

Ssangyong Xlv Closed Off-Road Vehicle

2016/04-

SR1084.01

**Dimension
(mm)**

158X60

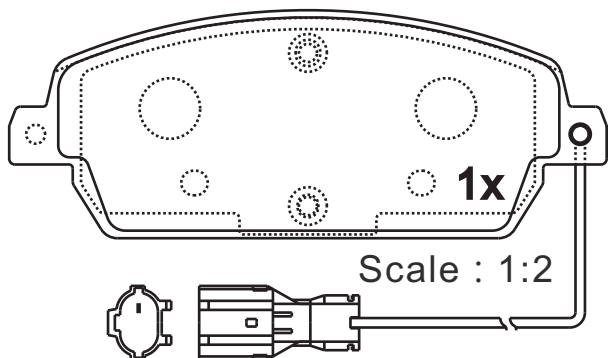
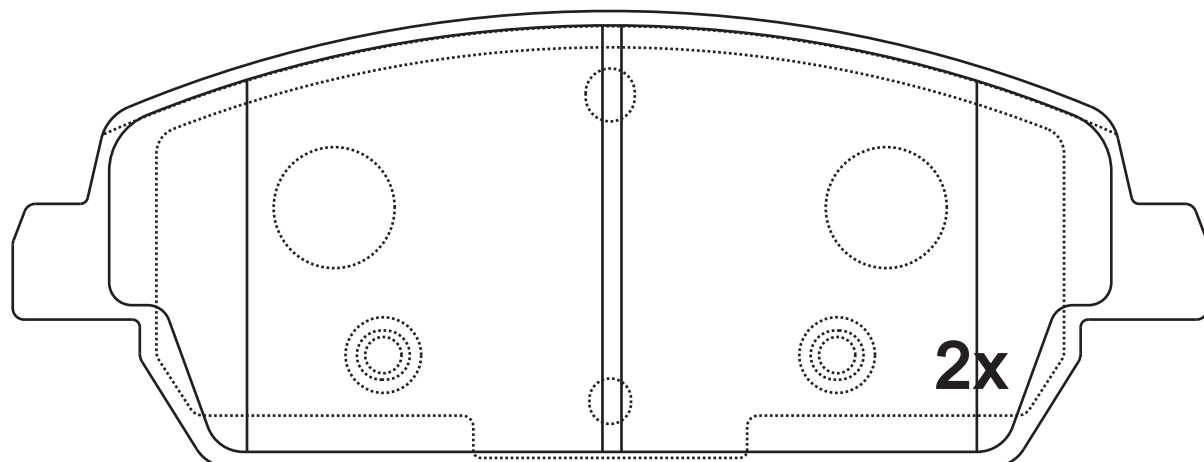
**Thickness
(mm)**

17

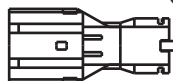


NOTE

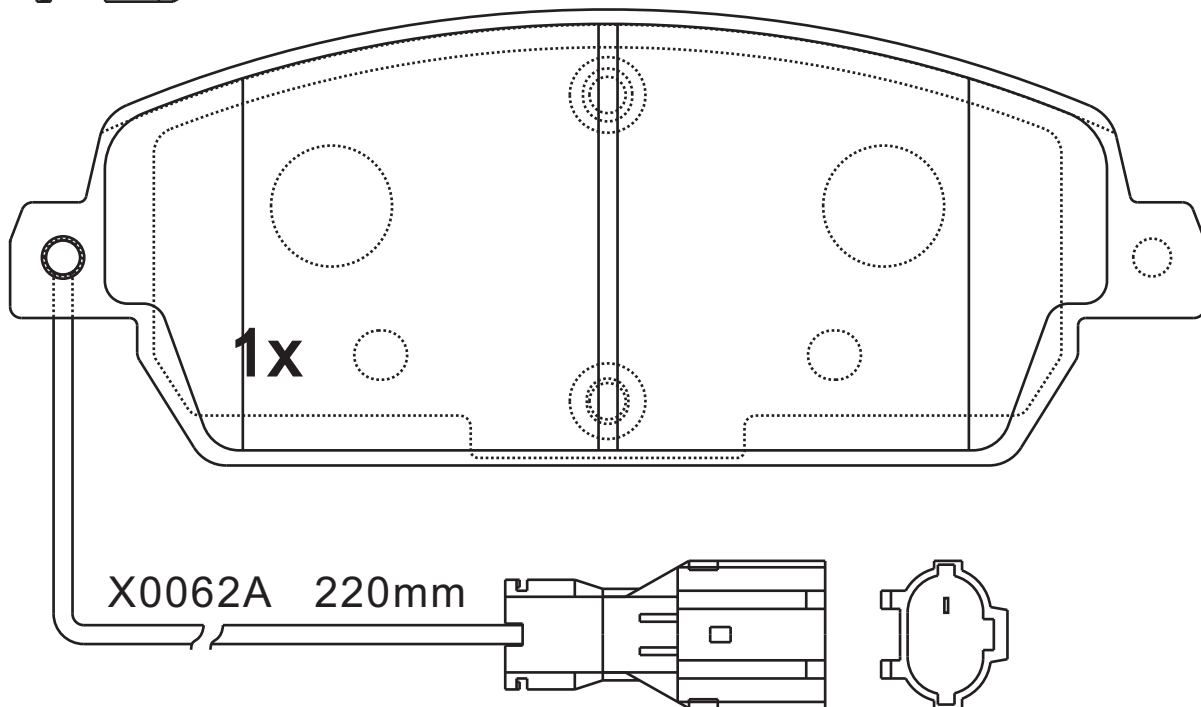
2 identical; 2 identical, 1 with acoustic indicator (left), 1 with acoustic indicator (right).



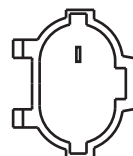
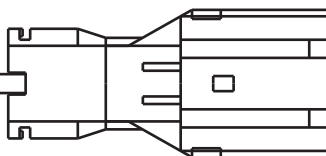
Scale : 1:2



0603BAB02720N



X0062A 220mm



Apply for:

MAHINDRA XUV500 2.2 CRDe AWD 2011

SR1085.01

**Dimension
(mm)**

144X62.4

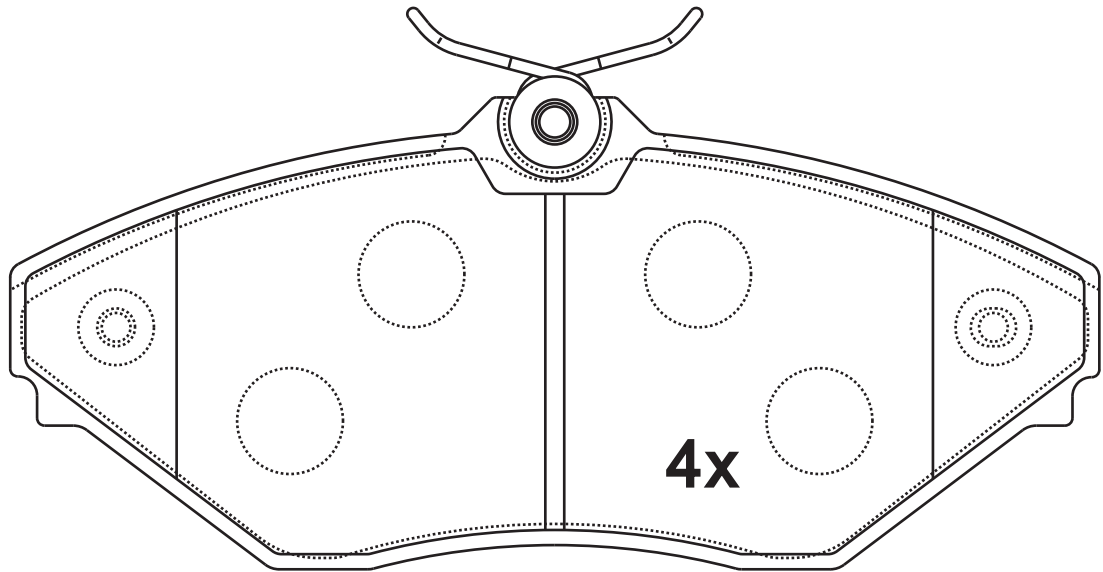
**Thickness
(mm)**

18



NOTE

4 identical;



**0603BB0150N
25067**

Apply for:
MAHINDRA PICKUP 2.6

SR1086.01

**Dimension
(mm)**

154.2X53.3

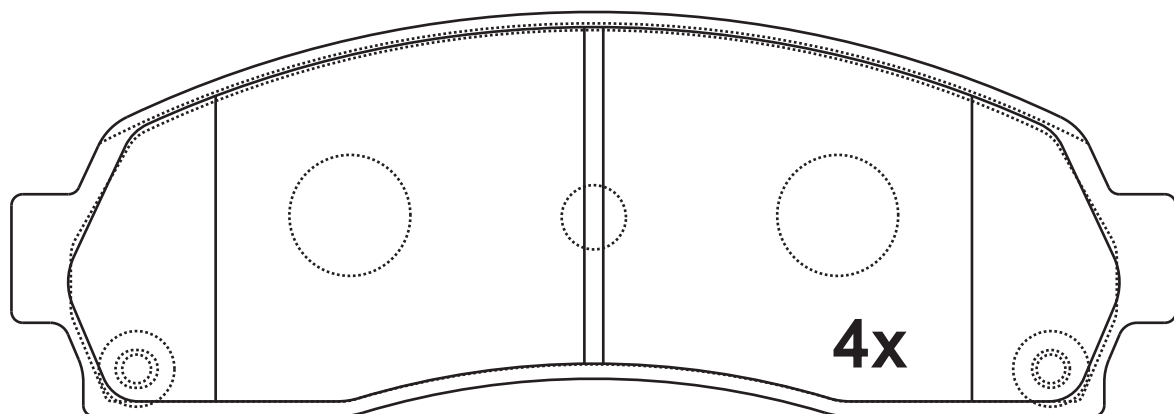
**Thickness
(mm)**

16.4



NOTE

4 identical;



25068

Apply for:

马自达 B2300 2003-2009

马自达 B3000 2003-2007

马自达 B4000 2003-2009

庞蒂克 Torrent 2006

福特(美国) 探险家越野车(U2) 1994-2001

SR1087.01

**Dimension
(mm)**

148.4X72.6

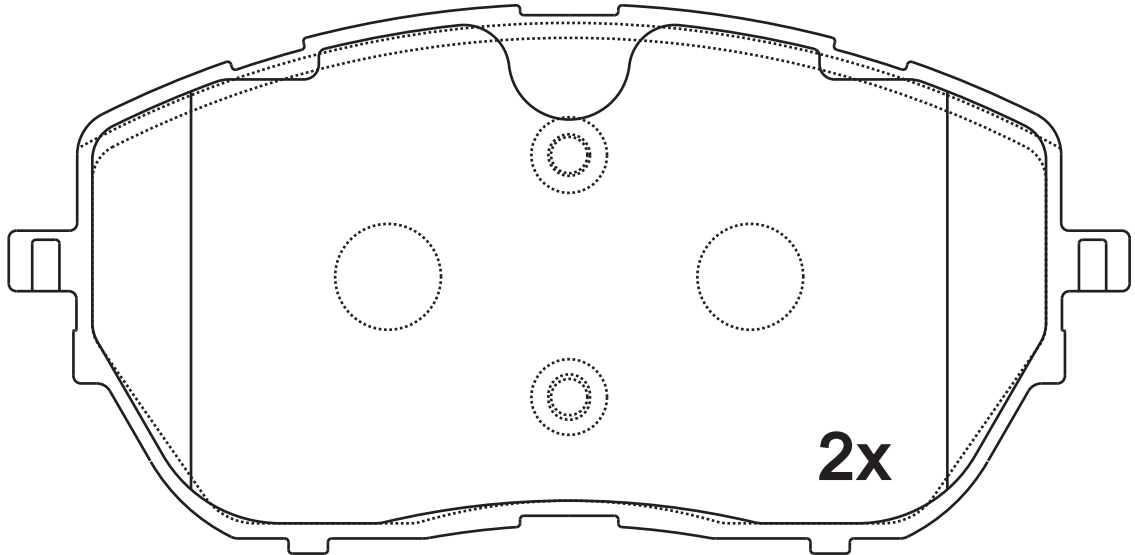
**Thickness
(mm)**

18



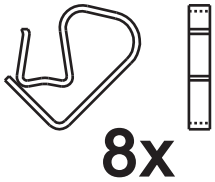
NOTE

2 identical; 2 identical,

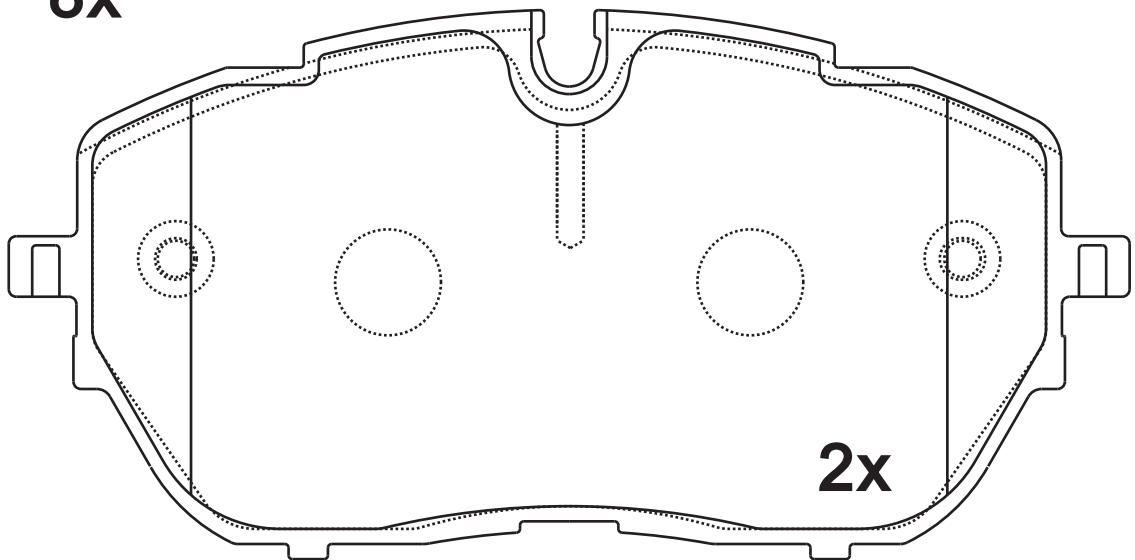


2x

22218



8x



2x

22219

Apply for:

Peugeot 308 Ii 2013/09-
Peugeot 308 Sw Ii 2014/03

SR1087.01

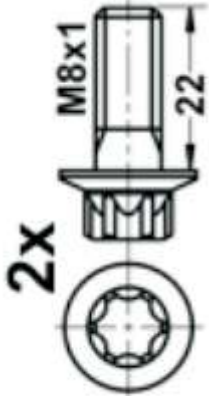
**Dimension
(mm)**

**Thickness
(mm)**



NOTE

附件包
Accessory bag



L0039
FJB1087.01

SR1088.01

**Dimension
(mm)**

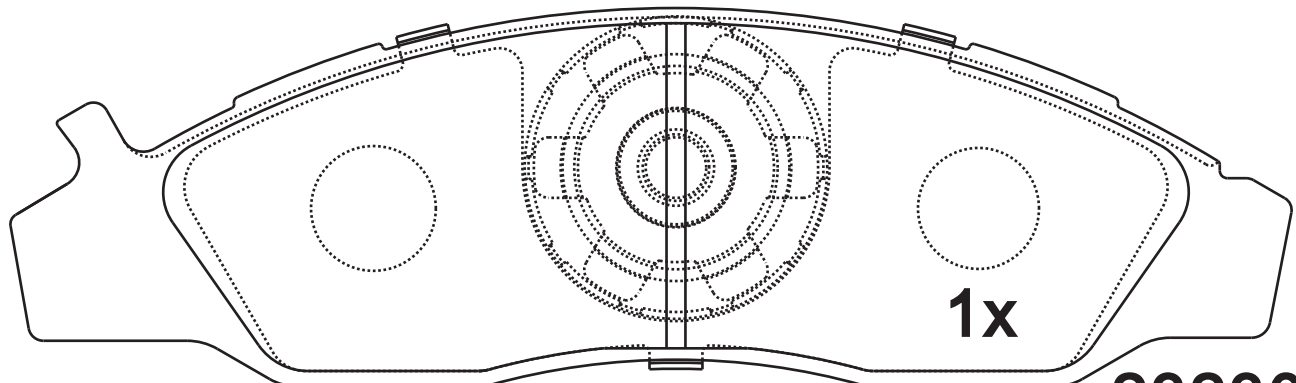
169.5X50
169.5X59

**Thickness
(mm)**

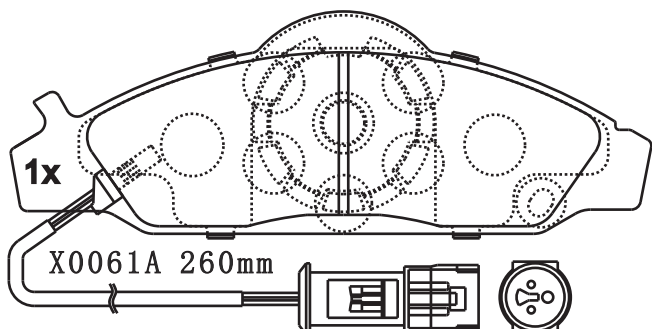
16



NOTE

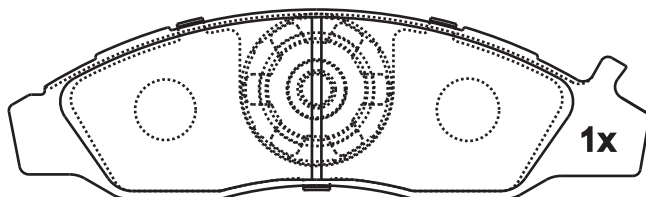


23230



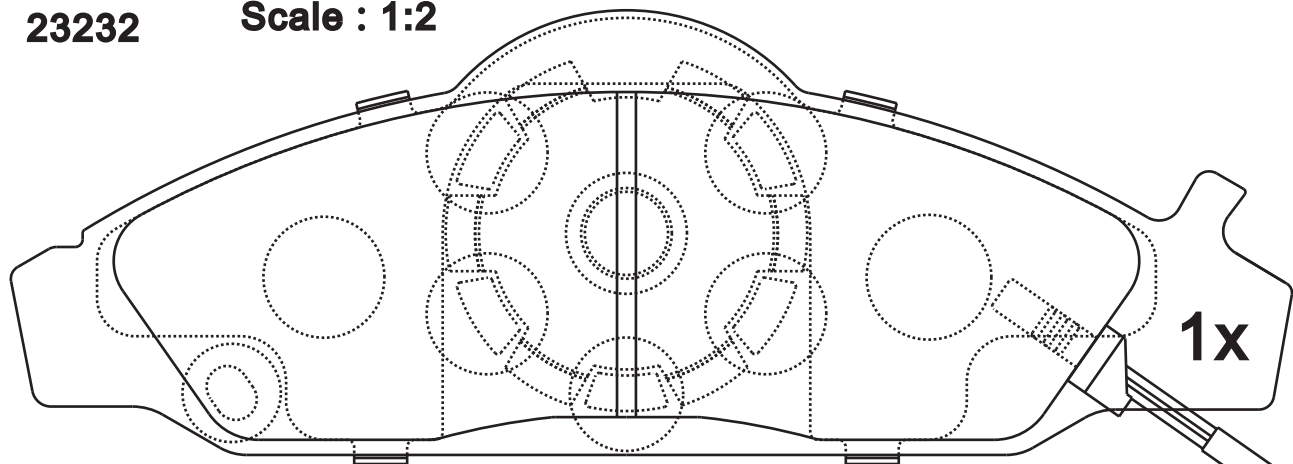
23232

Scale : 1:2

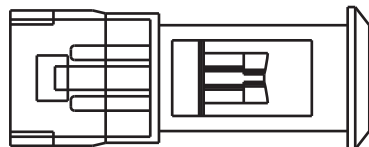


Scale : 1:2

23231



23233



Apply for:

Daewoo Korando (Kj)

1998/11-

Ssangyong Korando (K4)

1988/12-1997/05

SR1089.01

**Dimension
(mm)**

116.6X55.9

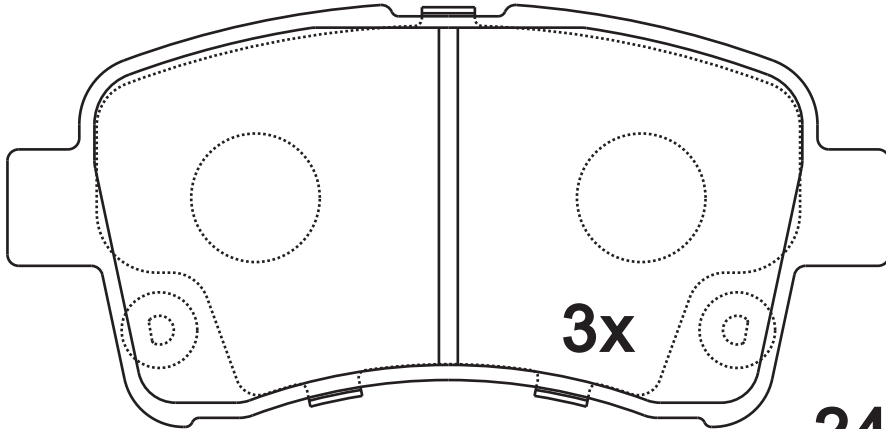
**Thickness
(mm)**

15.5

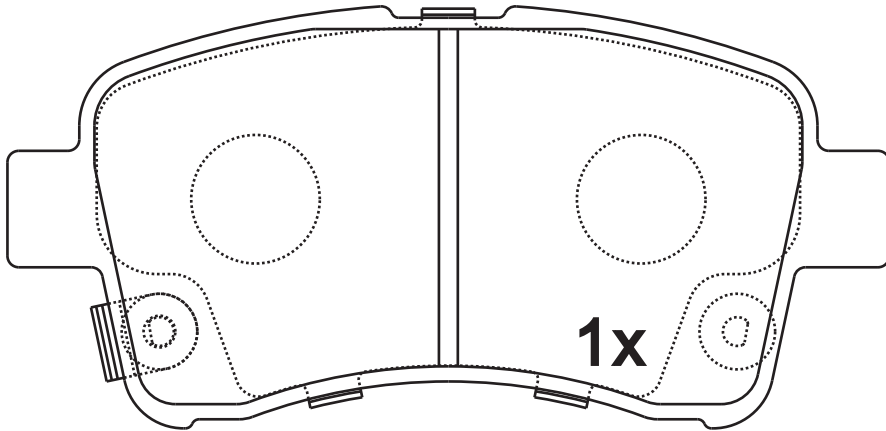


NOTE

**3 identical;1 identical,
acoustic indicator(left).**



24830



24831

Apply for:

Suzuki Aerio

2002-2005

SR1090.01

**Dimension
(mm)**

127.8X58.6

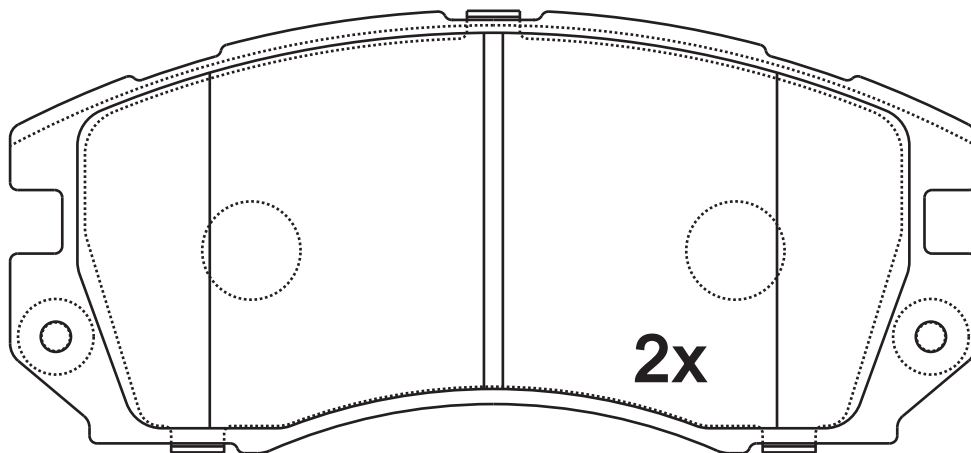
**Thickness
(mm)**

17

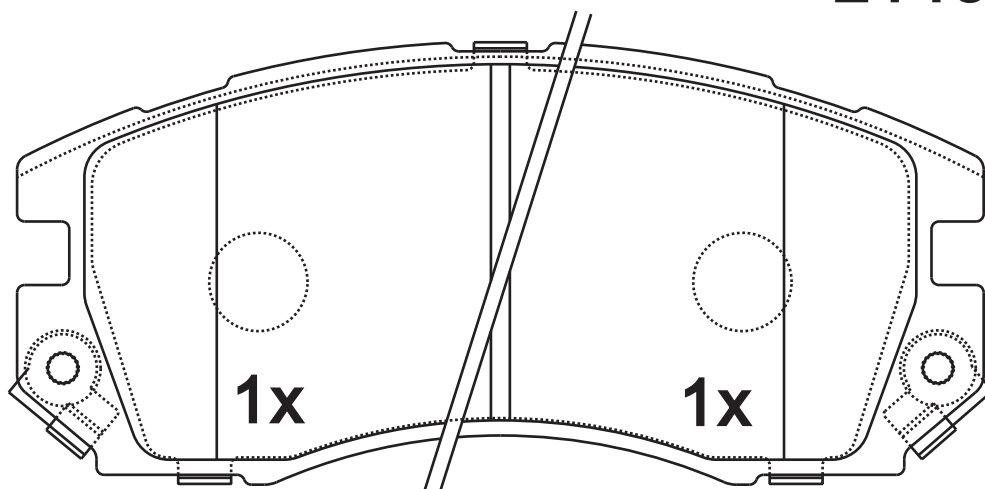


NOTE

2 identical; 2 identical, 1 with acoustic indicator (left), 1 with acoustic indicator (right).



21482



24390

24389

Apply for:

Subaru Impreza

1993-1996

Subaru Legacy 15" Wheels

1991-1994

Subaru Legacy 15" Wheels

1996

SR1091.01

**Dimension
(mm)**

109.7X50

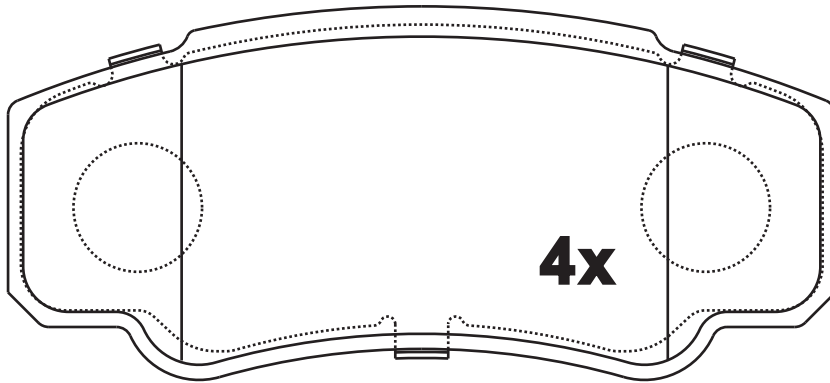
**Thickness
(mm)**

20



NOTE

4 identical;



23921

Apply for:

Citroen Jumper Box (230L)

1994/02-2002/04

Fiat Ducato Bus (230)

1994/03-2002/04

SR1091.02

**Dimension
(mm)**

109.7X50

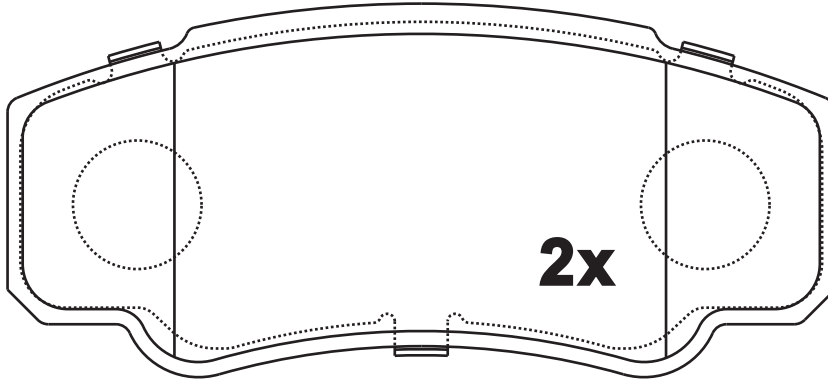
**Thickness
(mm)**

20

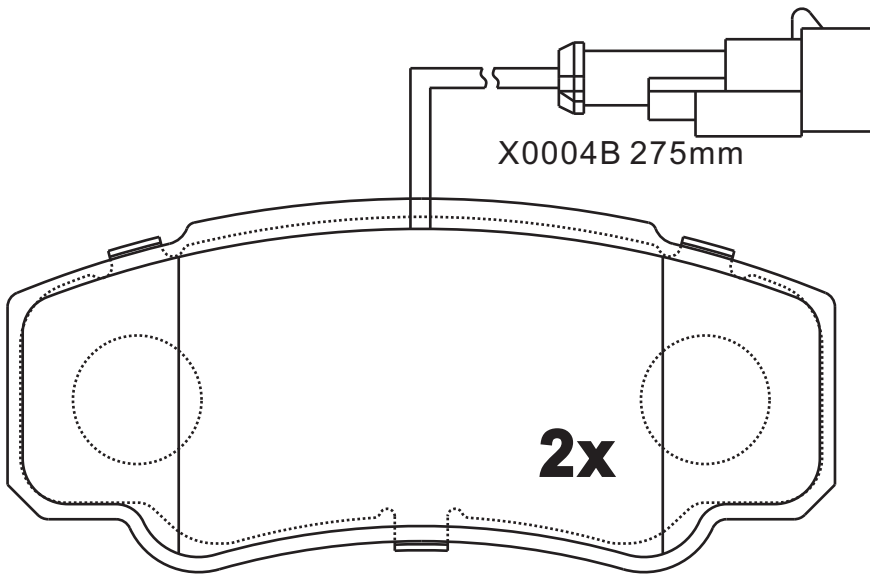


NOTE

2 identical;2 identical,



23921



24589

Apply for:

Renault Trucks Maxity 2007/03-

SR1091

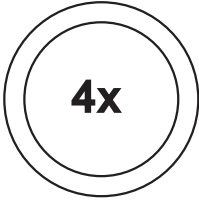
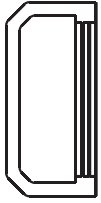
**Dimension
(mm)**

**Thickness
(mm)**

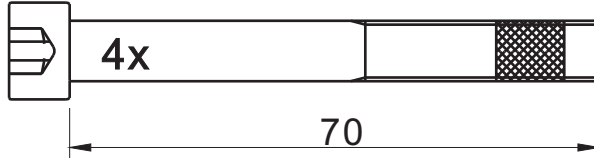


NOTE

附件包
Accessory bag



XJ003



4x

70

M8X1.25X70

L0019

FJB0002.02

SR1092.01

**Dimension
(mm)**

141.5X53
139.4X53

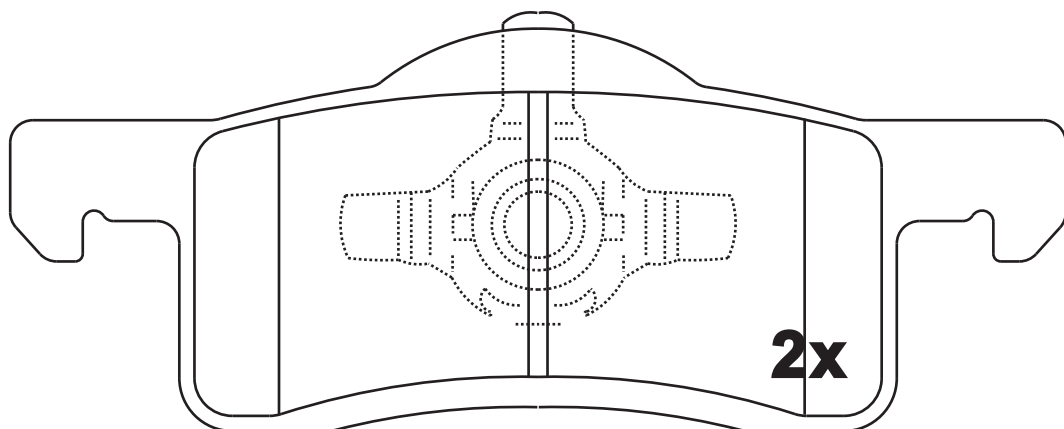
**Thickness
(mm)**

20

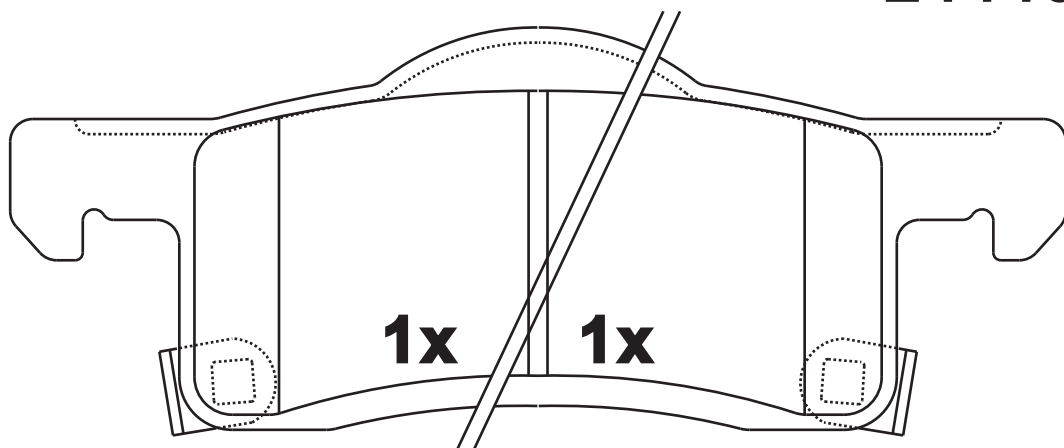


NOTE

2 identical; 2 identical, 1 with acoustic indicator (left), 1 with acoustic indicator (right).



24440



24441

24442

Apply for:

Lincoln Navigator (Un173)
Ford Truck Expedition

1997/05-2002/12
2003-2006

SR1093.01

**Dimension
(mm)**

179.9X74.9

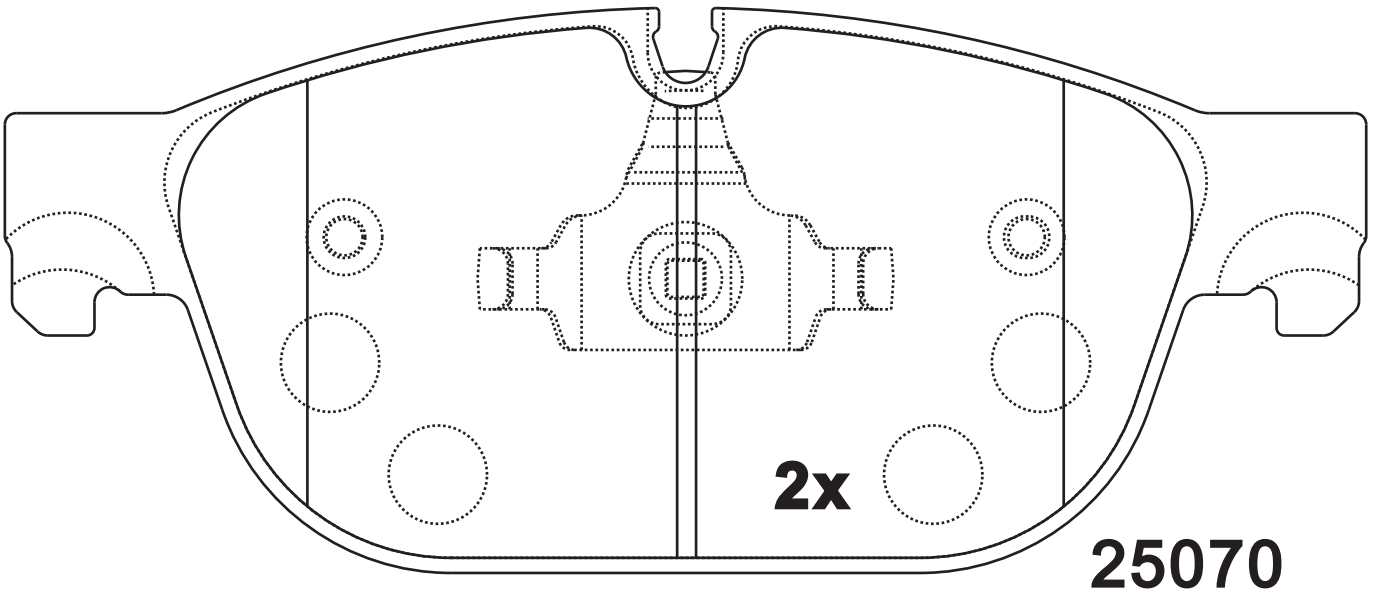
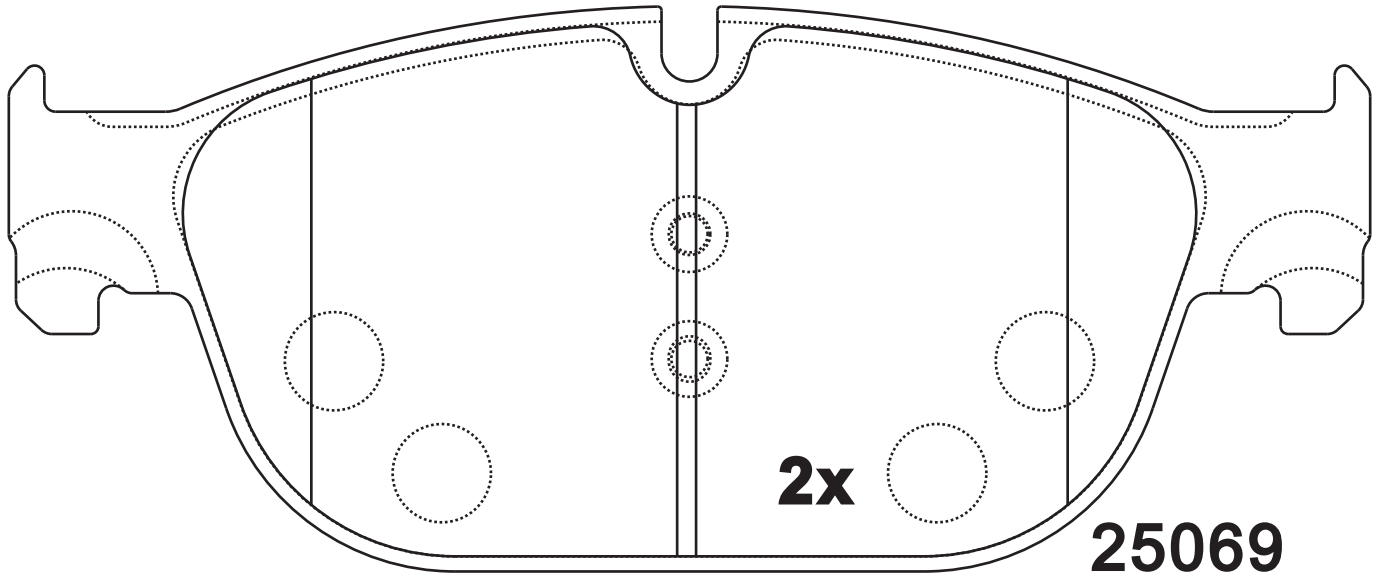
**Thickness
(mm)**

17



NOTE

2 identical; 2 identical,



Apply for:

Citroen C5 Iii (Rd_)
Ds (Capsa) Ds 5 Hatchback
Peugeot 308 (4A_, 4C_)

2008/02-
2013/09-
2007/09-

SR1093.01

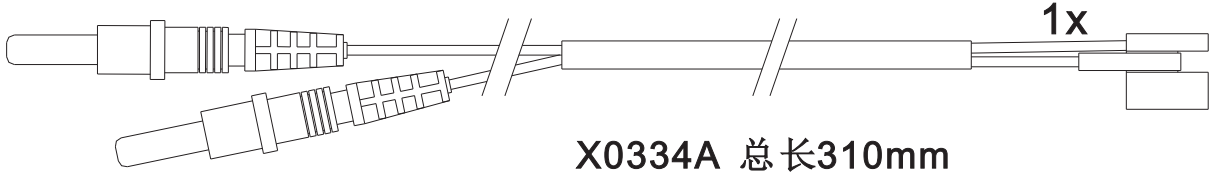
**Dimension
(mm)**

**Thickness
(mm)**



NOTE

**附件包
Accessory bag**



SR1094.01

**Dimension
(mm)**

123.2X58
123.2X59.7

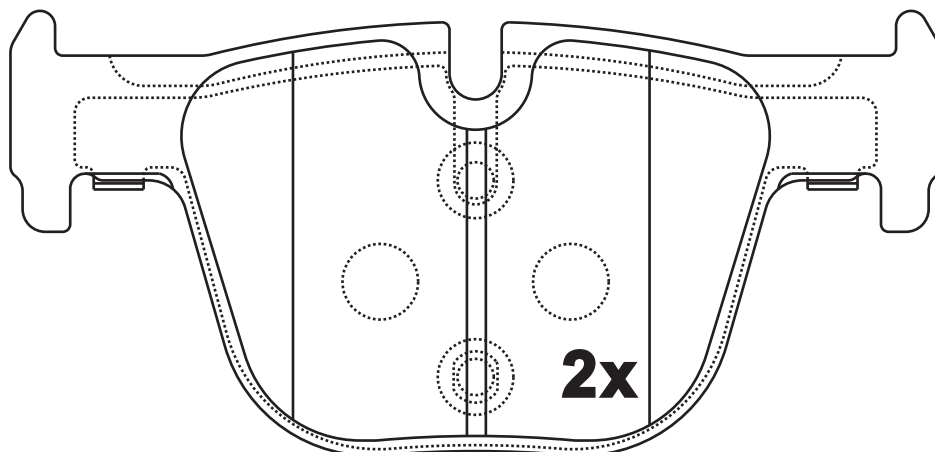
**Thickness
(mm)**

17.3

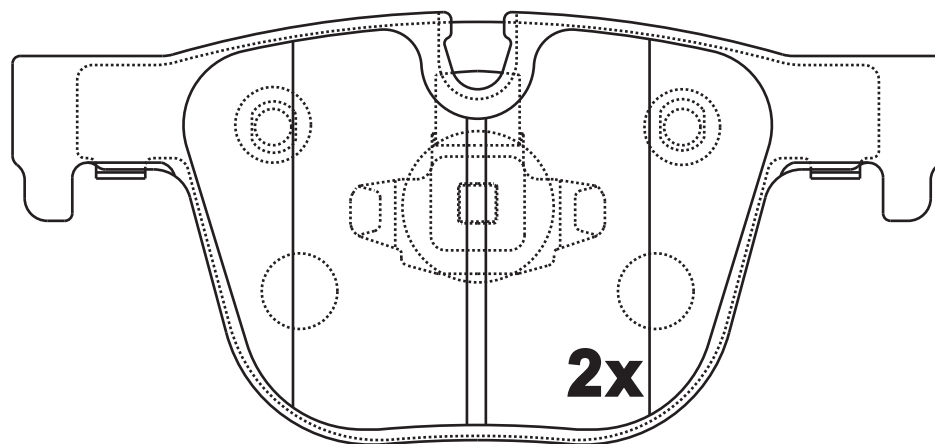


NOTE

**2 identical; 2 identical
with spring.**



25514



25515

Apply for:

- | | |
|--------------|-------|
| BMW 3 | 2011- |
| BMW 4 | 2013- |
| BMW 335i | 2014- |
| BMW 428i | 2015- |
| BMW 435i | 2015- |
| BMW 3系 (F30) | 2012- |

SR1094

**Dimension
(mm)**

**Thickness
(mm)**



NOTE

附件包

Accessory bag

1x



**98047600
34356792292**

X0100A总长1045mm

FJB1X0100A

SR1095.01

**Dimension
(mm)**

71.9X88.1

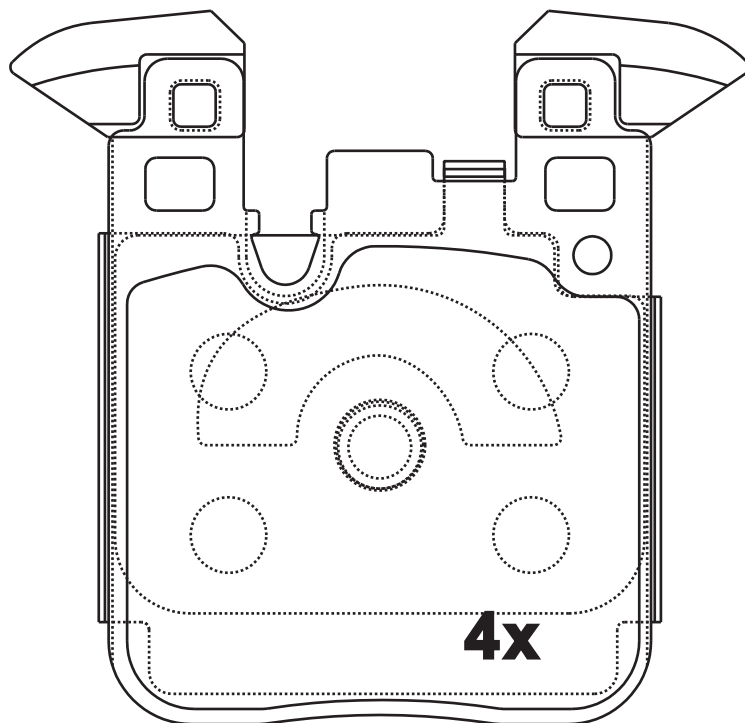
**Thickness
(mm)**

17



NOTE


4 identical;



25029

Apply for:

- | | | |
|-----|-------|-------|
| BMW | 3 | 2011- |
| BMW | 4 | 2013- |
| BMW | 1 | 2010- |
| BMW | 2 | 2012- |
| BMW | 328i | 2012- |
| BMW | 335i | 2014- |
| BMW | 435i | 2014- |
| BMW | M235i | 2014- |

SR1095	Dimension (mm)	Thickness (mm)		NOTE
				附件包 Accessory bag



SR1096.01

**Dimension
(mm)**

123.2X48
123.2X47.5

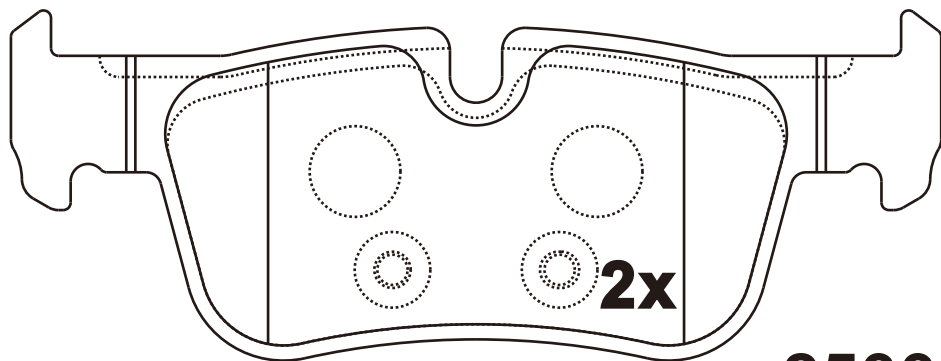
**Thickness
(mm)**

16

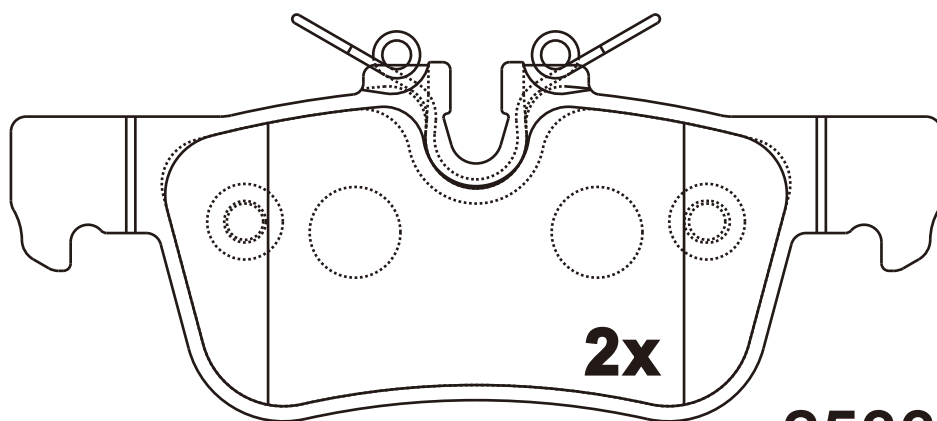


NOTE

2 identical;2 identical,



25332



25331

Apply for:

- | | |
|--------------------|-------|
| BMW 2 | 2013- |
| BMW i3 (I01) | 2013- |
| BMW X1 (F48) | 2014- |
| MINI CLUBMAN (F54) | 2014- |

SR1096

**Dimension
(mm)**

**Thickness
(mm)**



NOTE

附件包
Accessory bag

1x



98052100
34356799736

X0225A总长642mm

FJB1X0225A

1x



98052300
34356857154

X0204A总长685mm

FJB1X0204A

2x



X0224A 总长430mm
总长235mm

FJB2X0224A

SR1097.01

**Dimension
(mm)**

180.3X77.7

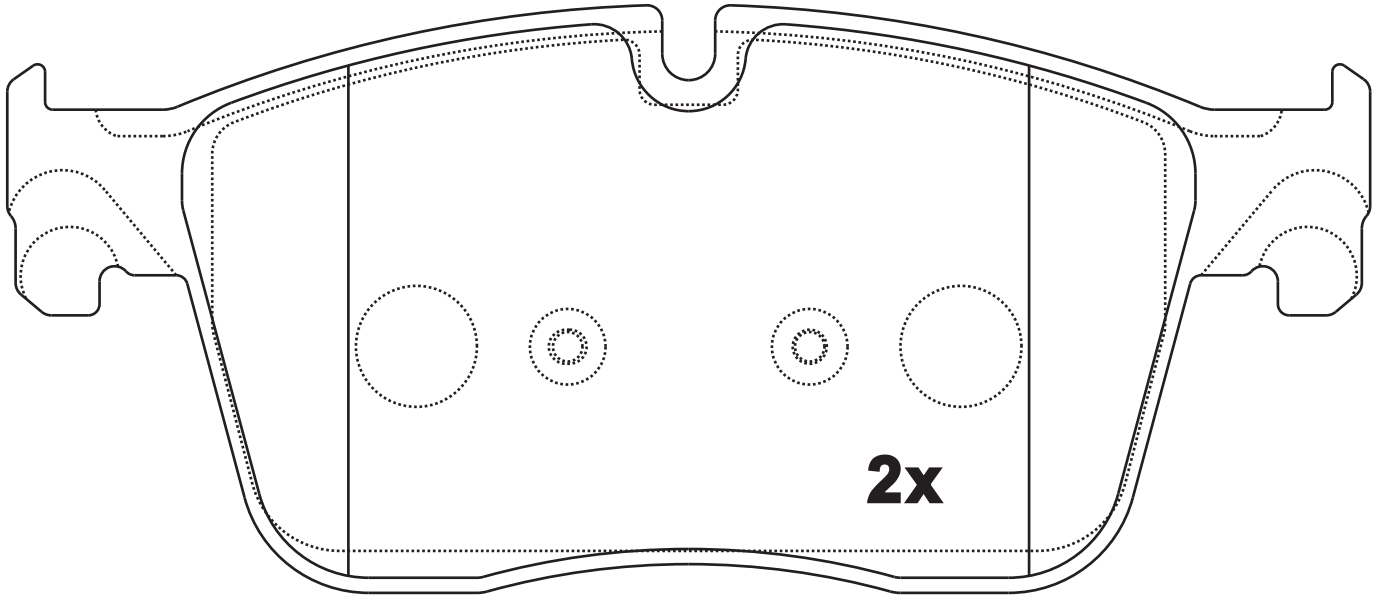
**Thickness
(mm)**

18

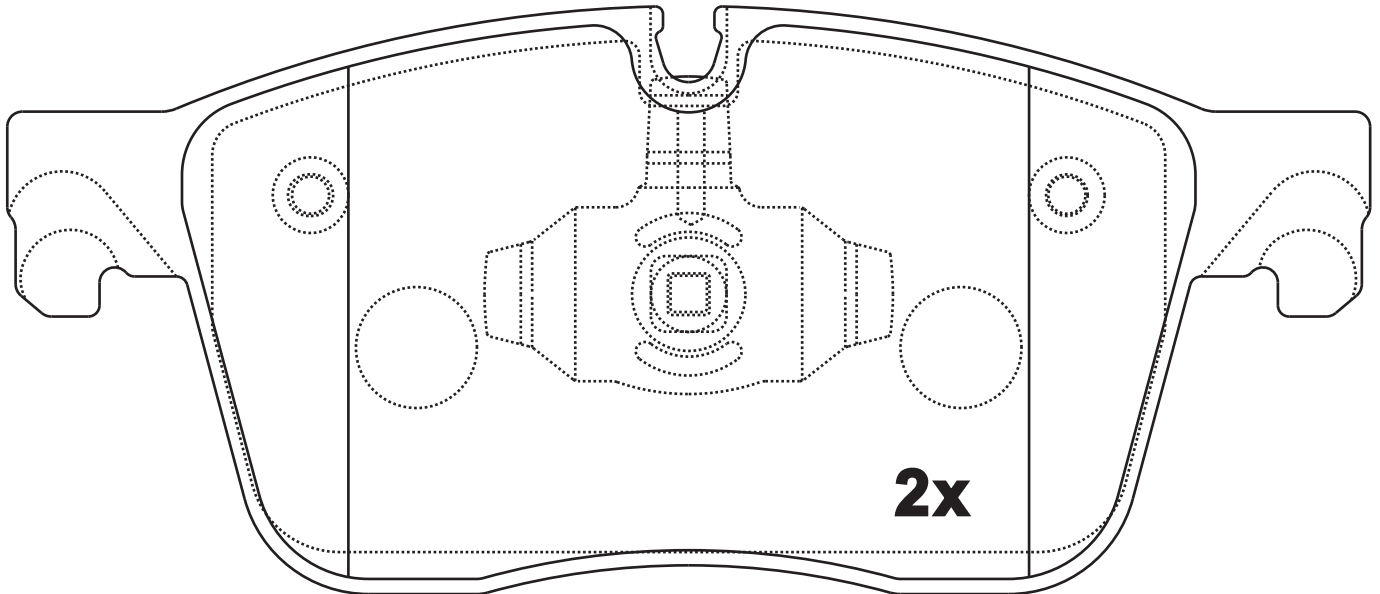


NOTE

2 identical; 2 identical,



D1861



Apply for:

Jaguar Xe 2015-

SR1098.01

**Dimension
(mm)**

129X84

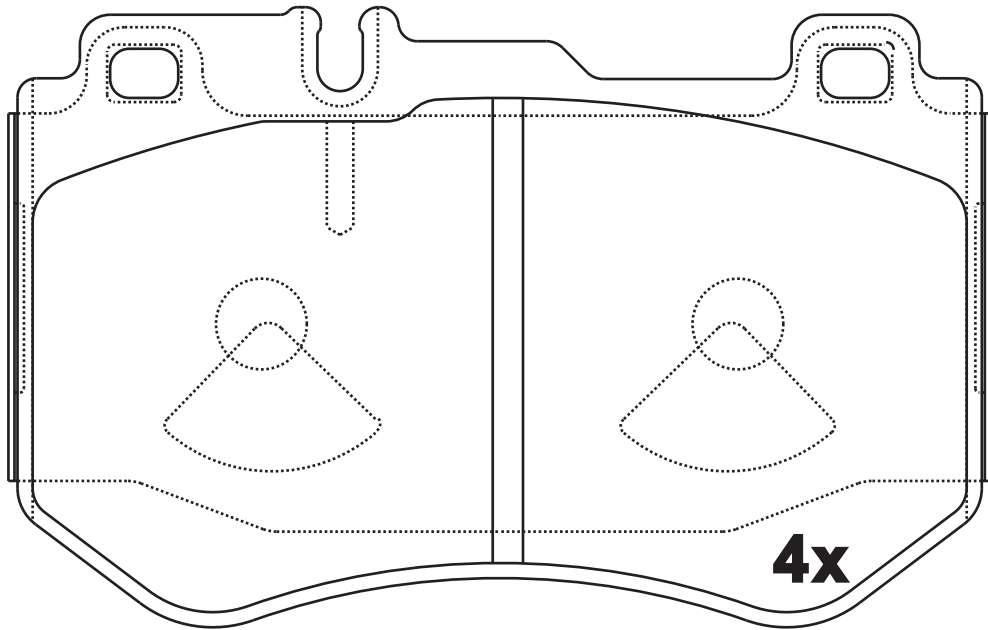
**Thickness
(mm)**

18.7



NOTE

4 identical;



25997

Apply for:

Mercedes Benz C-Class (W205)

2013/07-

SR1098

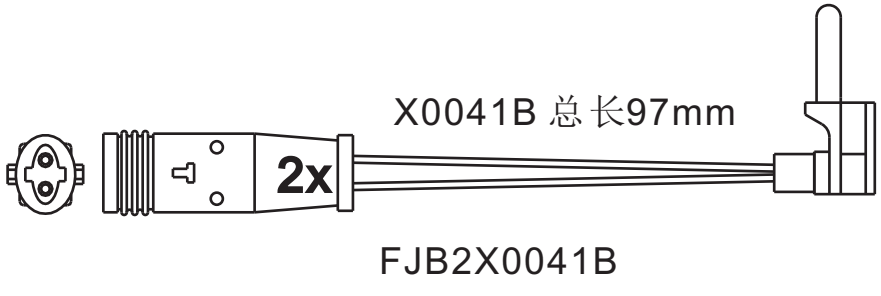
**Dimension
(mm)**

**Thickness
(mm)**



NOTE

附件包
Accessory bag



SR1099.01

**Dimension
(mm)**

104.7X74.6

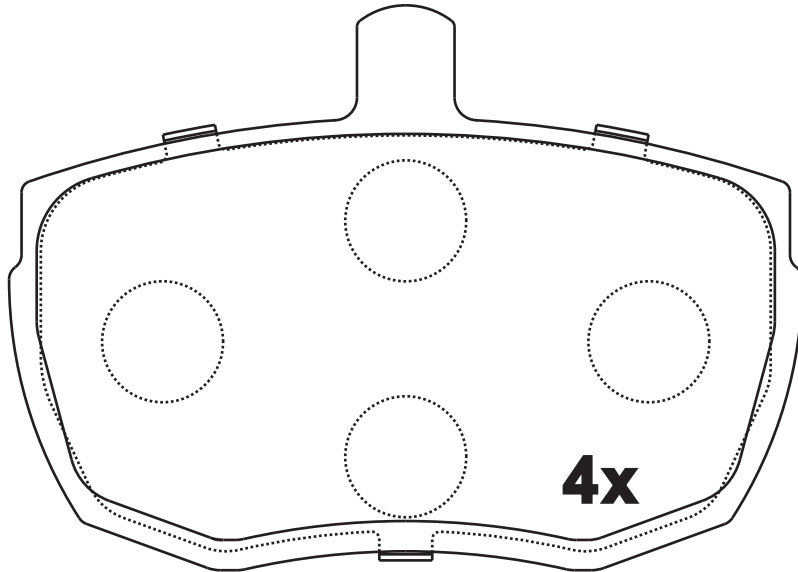
**Thickness
(mm)**

18



NOTE

4 identical;



20359

Apply for:

Ford Transit Box (72E, 71E)
Land Rover Range Rover

1965/11-1978/09
1987-1989

SR1099.02

**Dimension
(mm)**

104.7X74.6

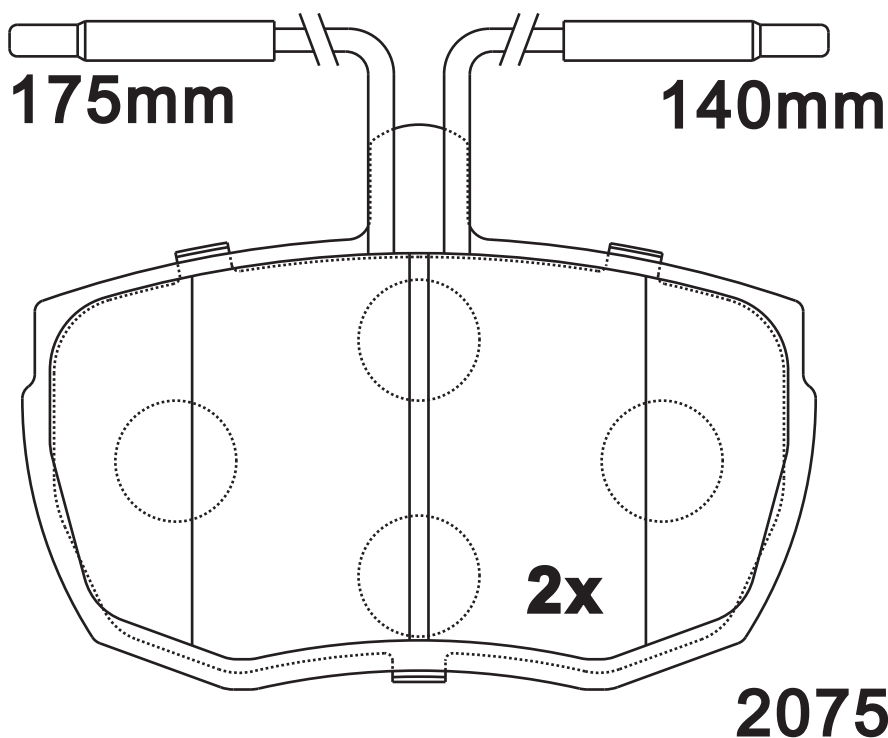
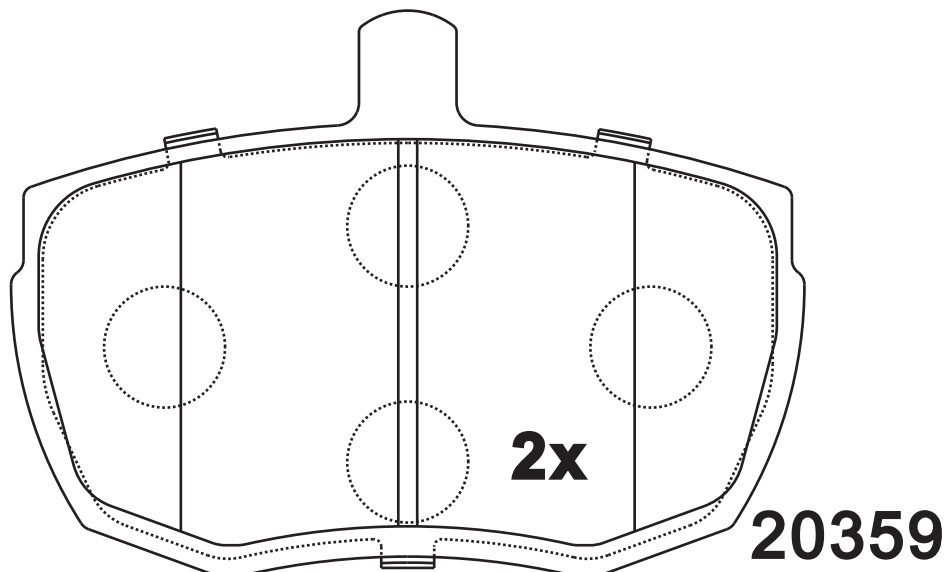
**Thickness
(mm)**

18



NOTE

**4 identical, 2 with warn
2 indicator.**



Apply for:

Alfa Romeo Ar 8 Box (280)
Iveco Daily I

1978/04-1989/12
1978/01-1999/04

SR1099.03

**Dimension
(mm)**

104.7X74.6

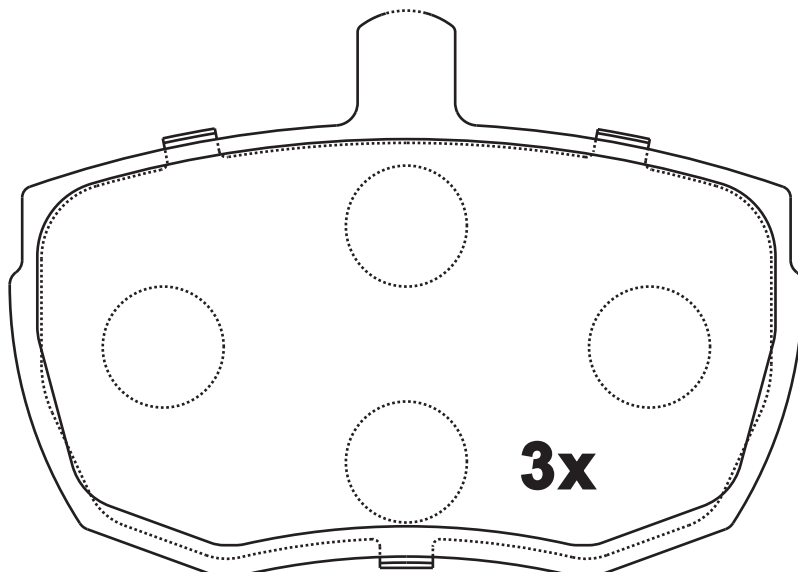
**Thickness
(mm)**

18



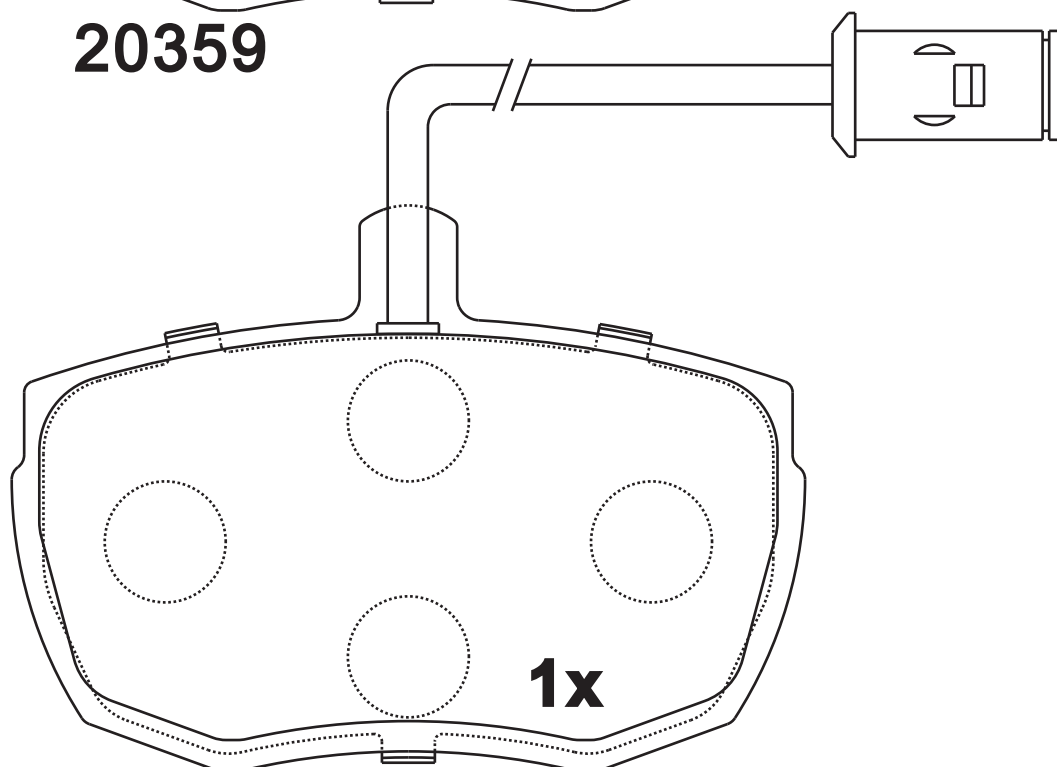
NOTE

4 identical, 1 with warn indicator.



3x

20359



1x

21160

Apply for:

Alfa Romeo Ar 8 Box (280)
Ford Transit Box (T_ _)
Iveco Daily I

1978/04-1989/12
1985/09-1992/09
1978/01-1999/04

SR1099.04

**Dimension
(mm)**

104.7X74.6

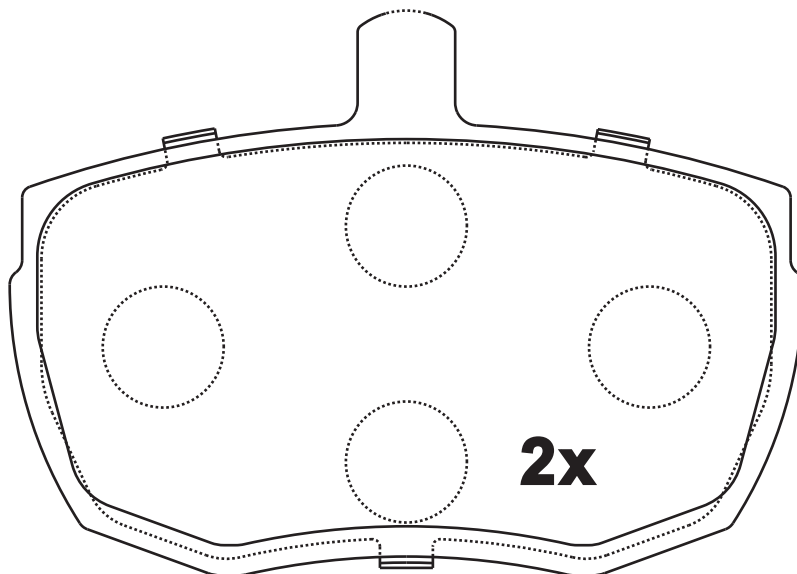
**Thickness
(mm)**

18

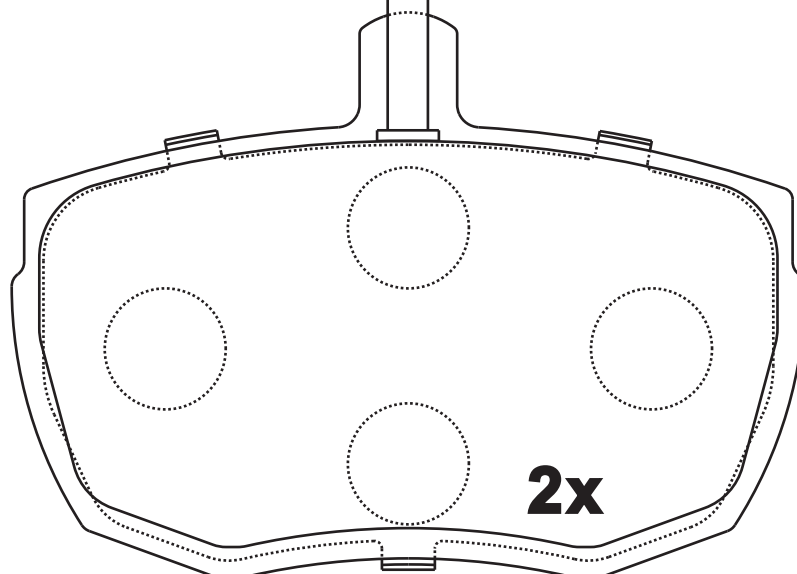


NOTE

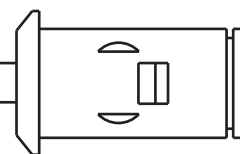
4 identical, 2 with warn indicator.



20359



21160



Apply for:

Alfa Romeo Ar 8 Box (280)
Ford Transit Box (T_ _)
Iveco Daily I

1978/04-1989/12
1985/09-1992/09
1978/01-1999/04

SR1100.01

**Dimension
(mm)**

135X52.5

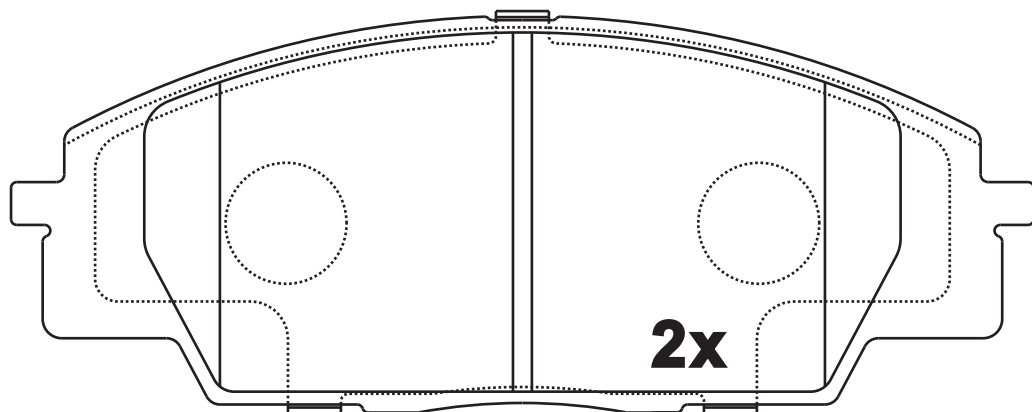
**Thickness
(mm)**

16.6

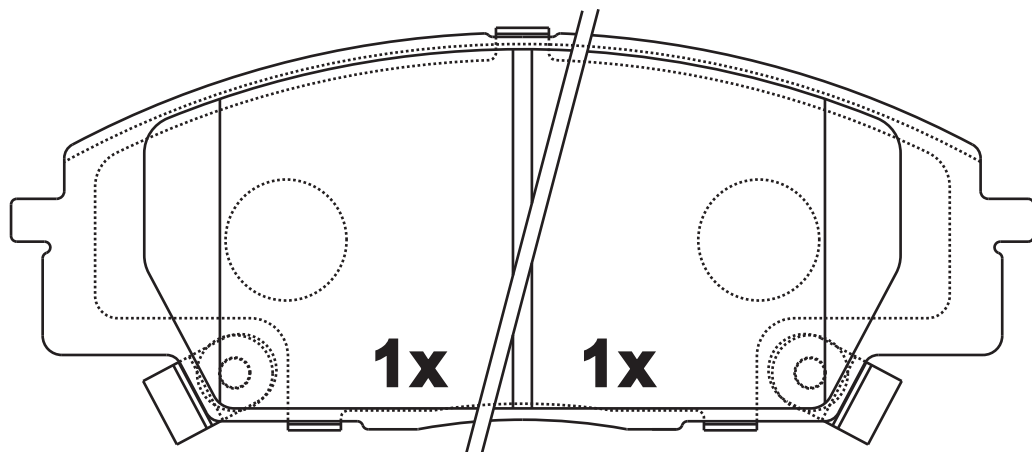


NOTE

2 identical; 2 identical, 1 with acoustic indicator (left), 1 with acoustic indicator (right).



23178



23530

23531

Apply for:

Honda Civic Vii Coupe (Em2) 1.6 I (Em1) 2001-2005

Honda Civic Viii Hatchback (Fn, Fk) Type R (Fn2) 2006

SR1101.01

Dimension
(mm)

Thickness
(mm)

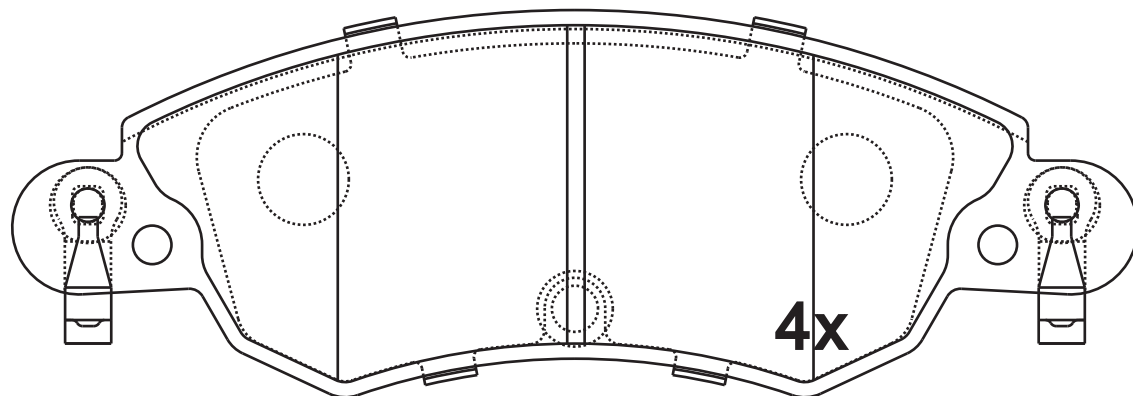


NOTE

4 identical;

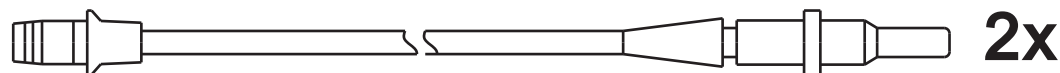
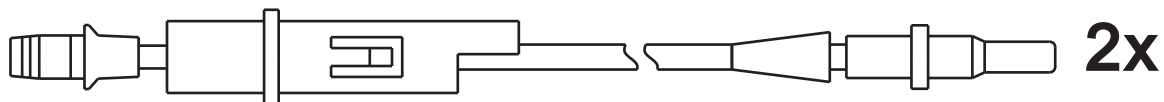
148.8X51

17.9



23275 23276

X0057A总长**410mm**



X0055C总长**180mm**

Apply for:

Citroen C5 I (Dc_)
Citroen C5 li Break (Re_)

2001/03-2005/03
2004/09-

SR1102.01

Dimension
(mm)

91.5X80

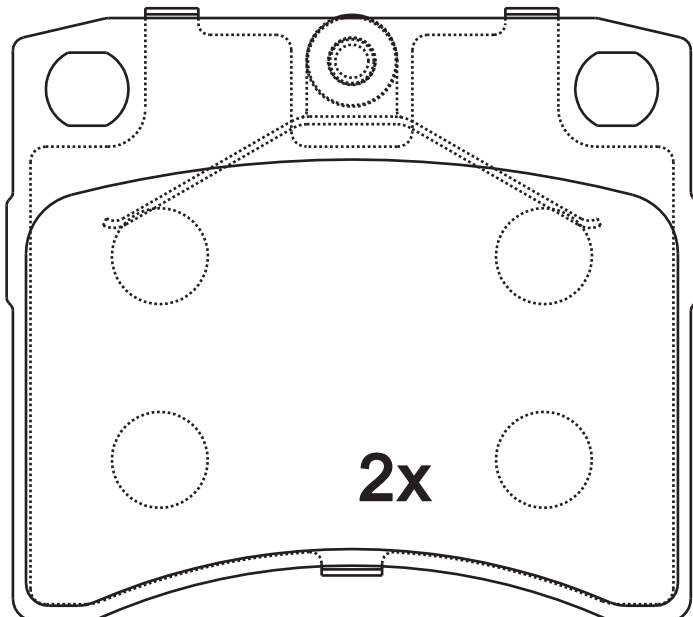
Thickness
(mm)

18.2

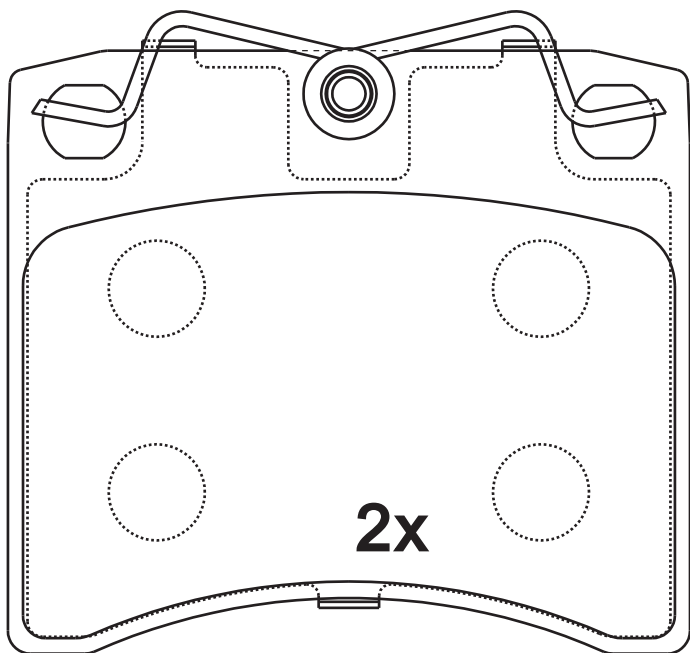


NOTE

2 identical;2 identical,



20651



21635



2x

T0062 必帶

Apply for:

Volkswagen Transporter Iv Box (70A, 70H, 7Da, 7Dh)
1990/07-2003/04

SR1102.02

Dimension
(mm)

Thickness
(mm)



NOTE

2 identical; 2 identical, 1 with acoustic indicator (left), 1 with acoustic indicator (right).

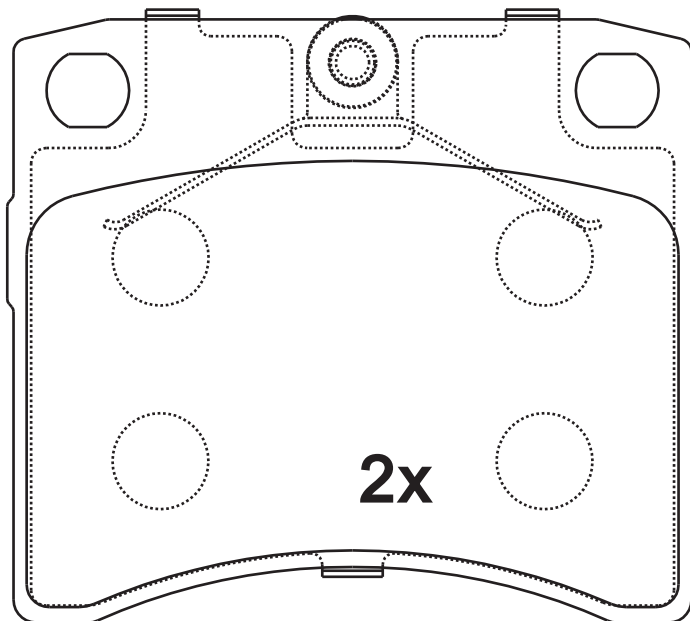
91.5X80

18.2

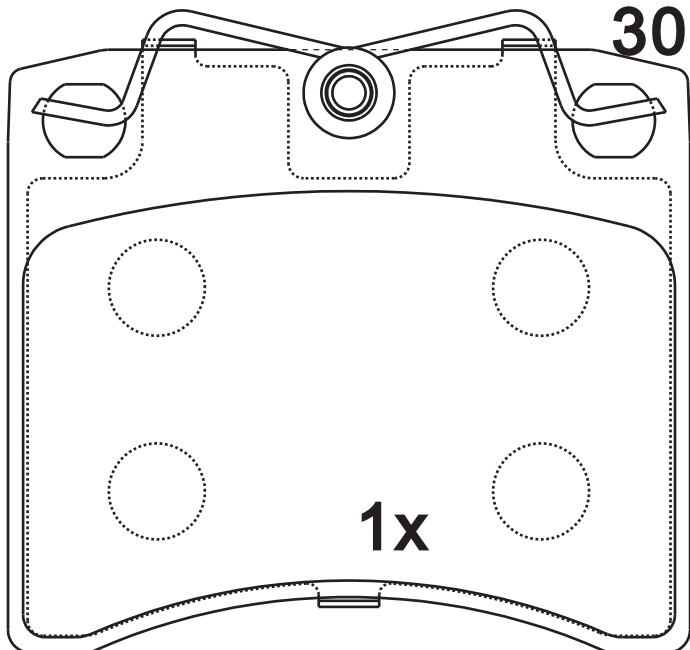


2x

T0062 必帶



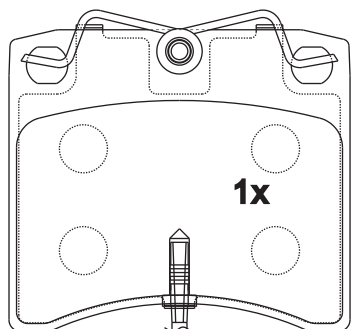
2x



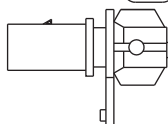
1x

30651

Scale : 1:2



1x



23176

21635

Apply for:

Volkswagen Transporter Iv Box (70A, 70H, 7Da, 7Dh)
1990/07-2003/04

Volkswagen Transporter Iv Platform/Chassis
(70E, 70L, 70M, 7De, 7D1, 7D 1990/07-2003/04

SR1103.01

Dimension
(mm)

95X57.2

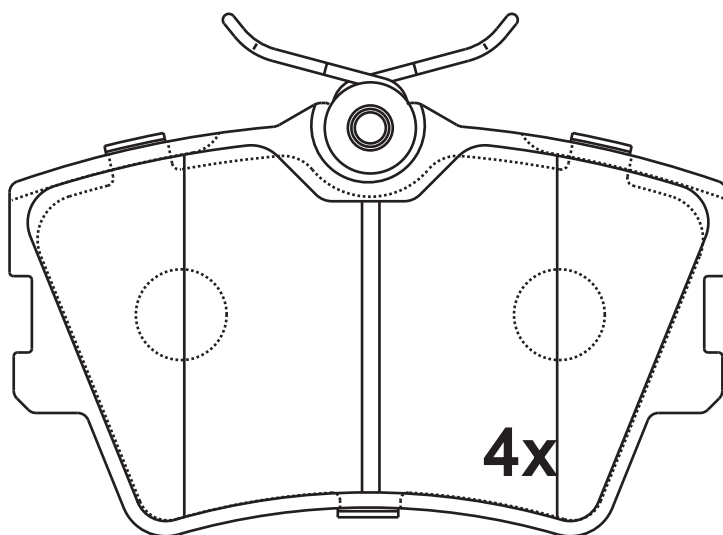
Thickness
(mm)

17.1



NOTE

4 identical;



21882

Apply for:

Volkswagen Transporter Iv Box (70A, 70H, 7Da, 7Dh)
1990/07-2003/04

SR1104.01

Dimension
(mm)

143X45.3

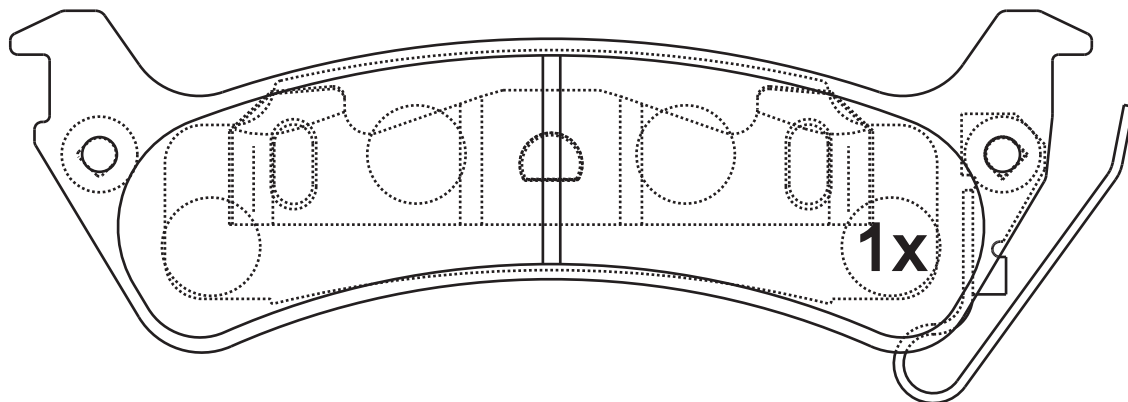
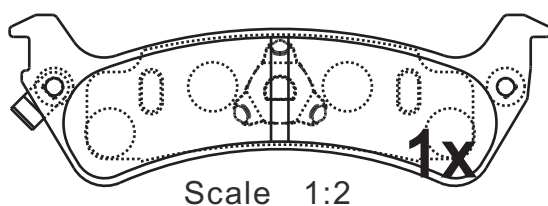
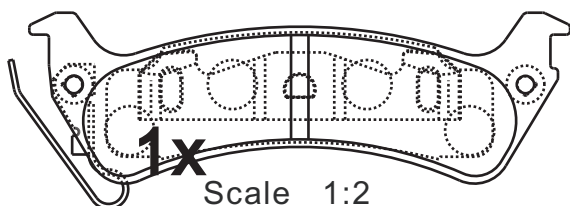
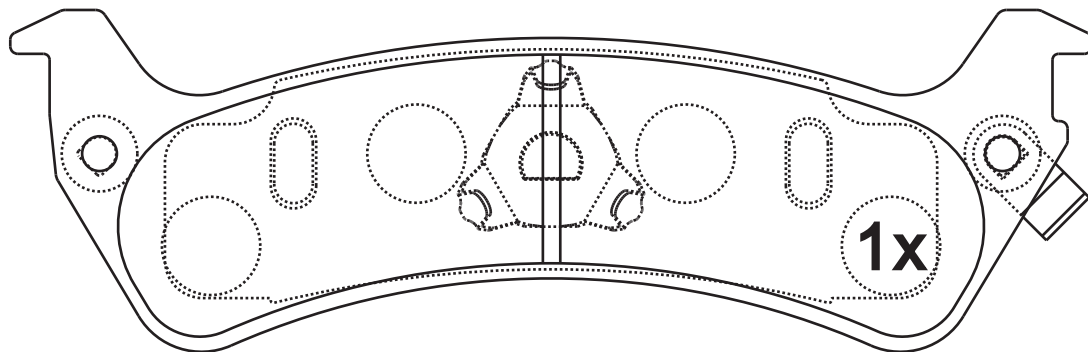
Thickness
(mm)

15



NOTE

2 identical; 2 identical, 1 with acoustic indicator (left), 1 with acoustic indicator (right).



D713

Apply for:

Jeep Grand Cherokee I (Zj, Zg)

1991/09-1999/04

SR1105.01

Dimension
(mm)

158.6X65.4

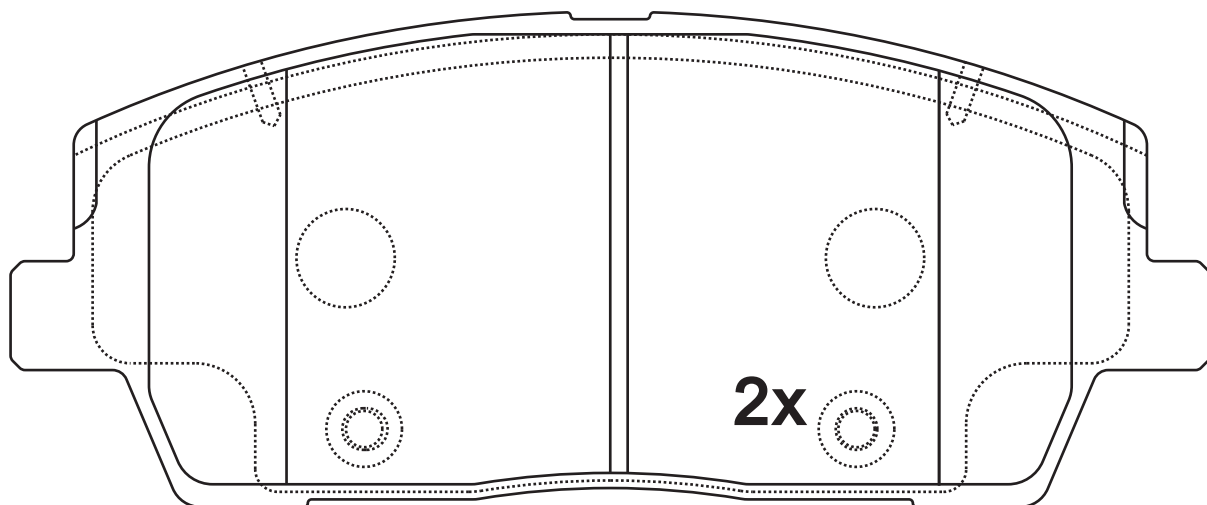
Thickness
(mm)

17.2

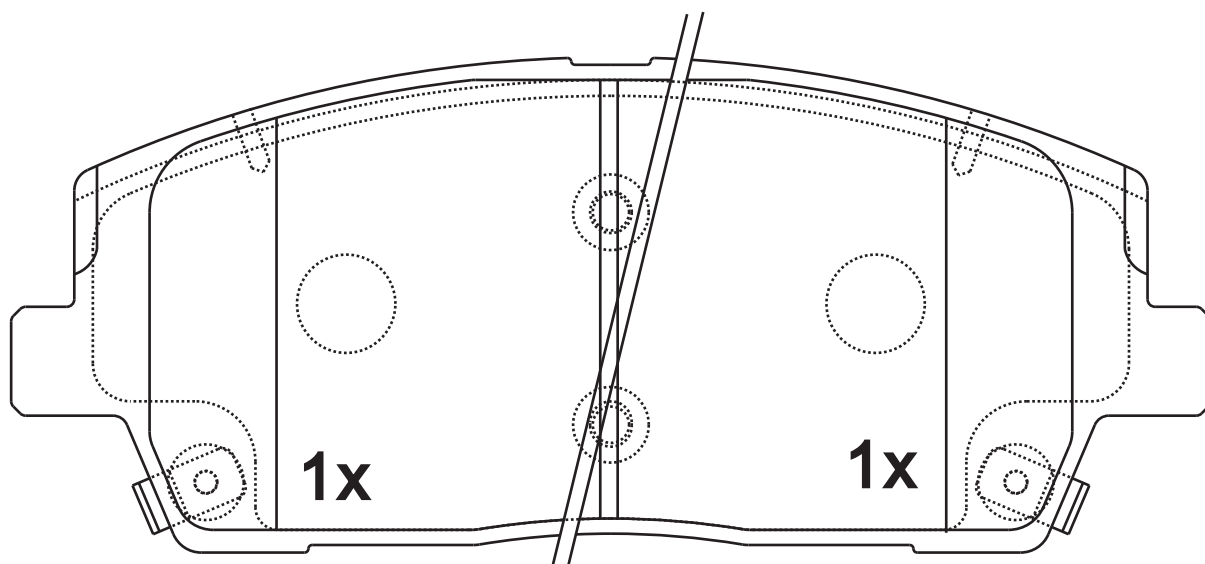


NOTE

2 identical;2 identical,1 with acoustic indicator (left),1 with acoustic indicator(right).



26157



26159

26158

Apply for:

Kia Sorento Iii (Um)

2015/01-

SR1105

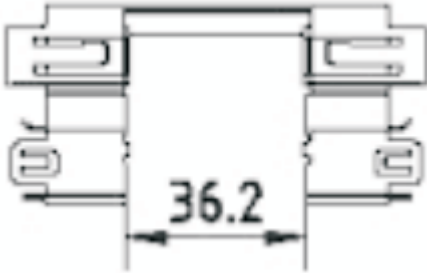
**Dimension
(mm)**

**Thickness
(mm)**



NOTE

**附件包
Accessory bag**



Dx0076*4
FJB1105.01

SR1106.01

Dimension
(mm)

Thickness
(mm)

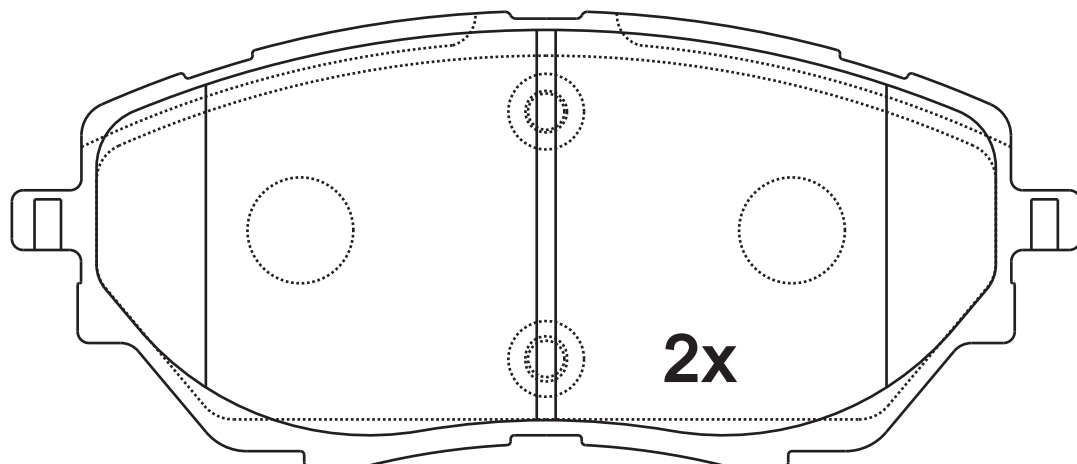


NOTE

2 identical; 2 identical, 1 with acoustic indicator (left), 1 with acoustic indicator (right).

141.5X60.4
141.5X62.9

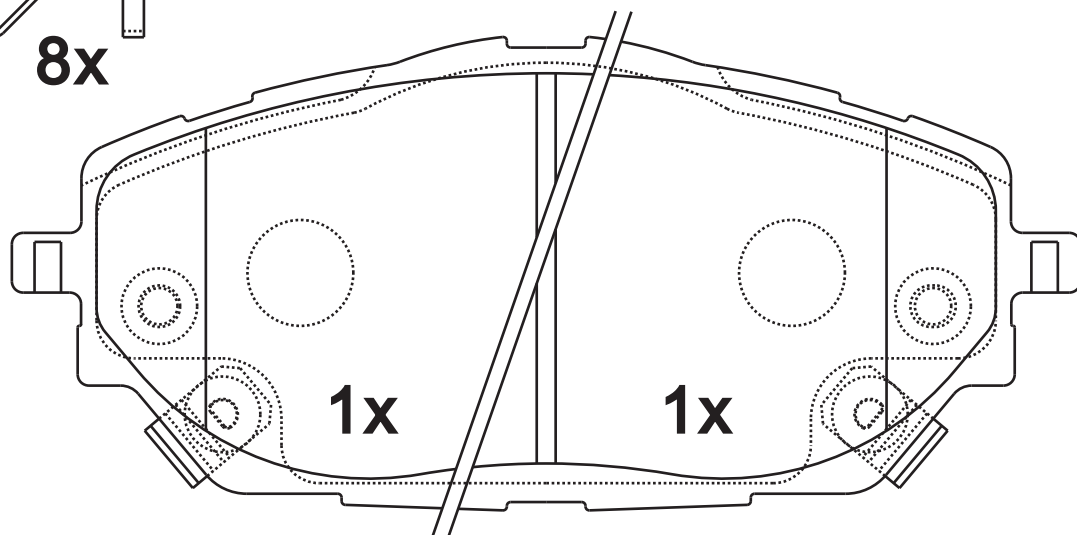
18.4



22782



8x



22783

22784

Apply for:

Toyota C-Hr (_X1_)

2016/10-

SR1106

**Dimension
(mm)**

**Thickness
(mm)**



NOTE

**附件包
Accessory bag**





19.1*29.2*9.7
Dx0025

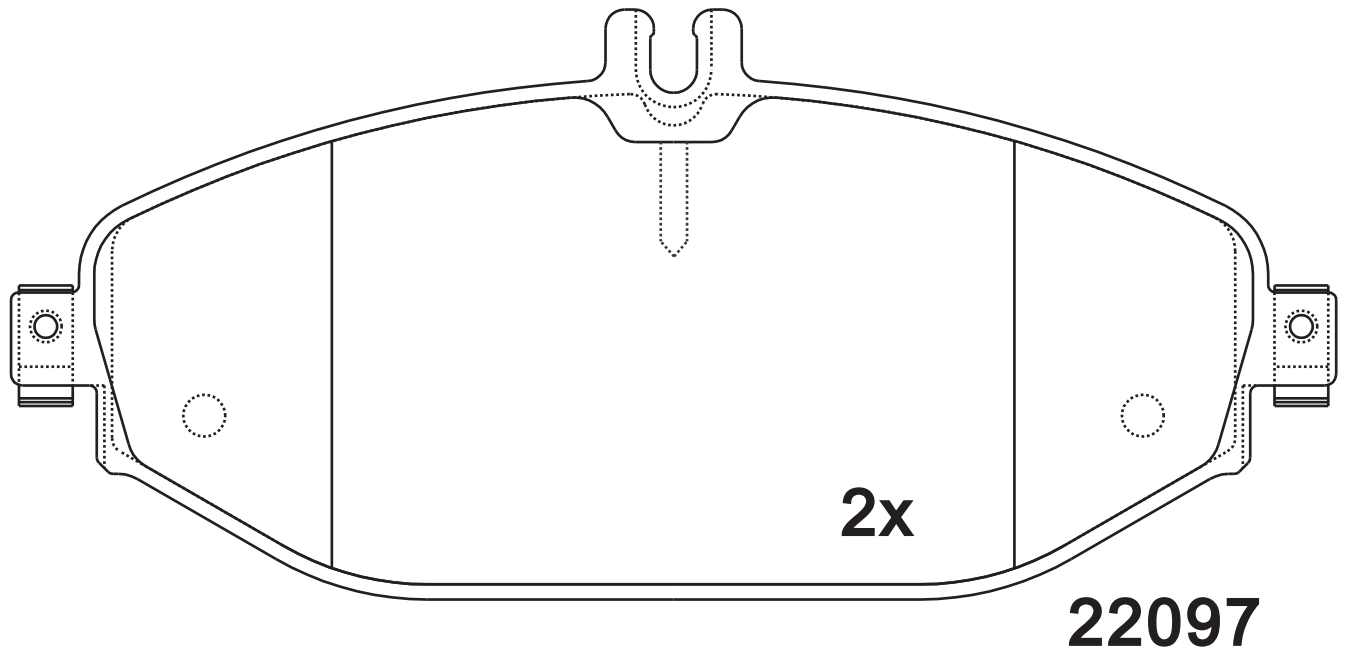
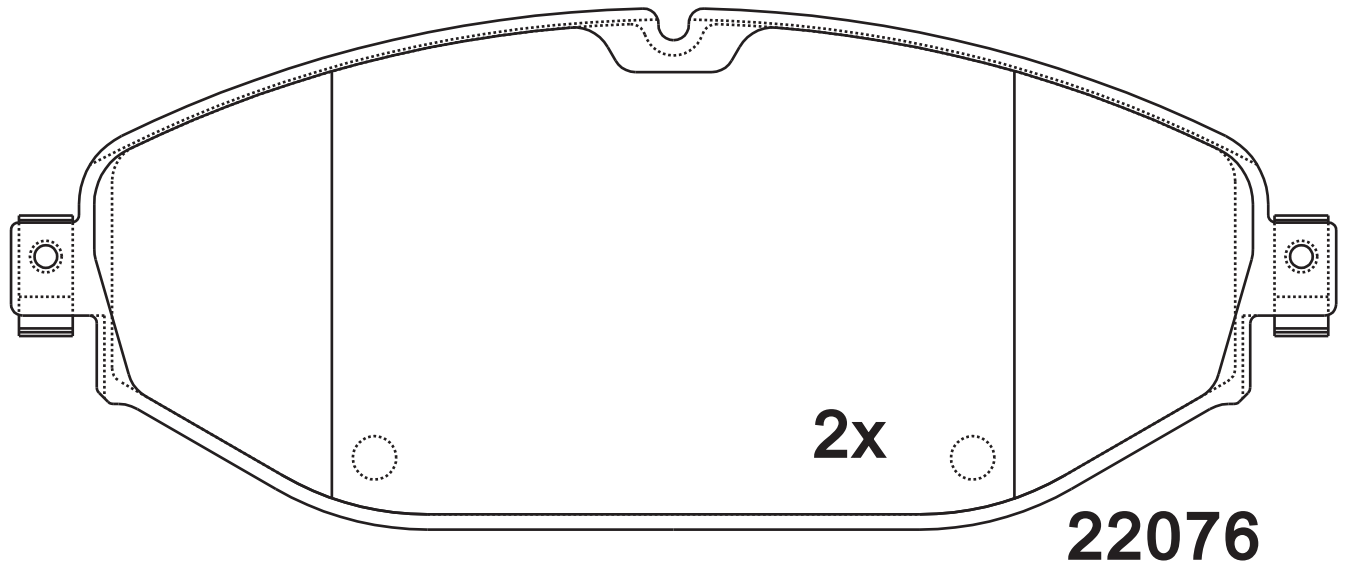
4x

19.1*26.8*9.7
Dx0026

4x

FJB0753.01

SR1107.01	Dimension (mm)	Thickness (mm)		NOTE
	175X68.8 175X78	19.2		2 identical;2 identical,



Apply for:

Mercedes-Benz C-Class (W205) C 300 (205.048)
2015-2018

Mercedes-Benz C-Class T-Model (S205) C 300 (205.248)
2015-2018

SR1107

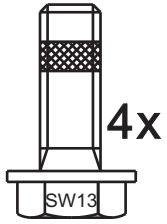
**Dimension
(mm)**

**Thickness
(mm)**



NOTE

**附件包
Accessory bag**



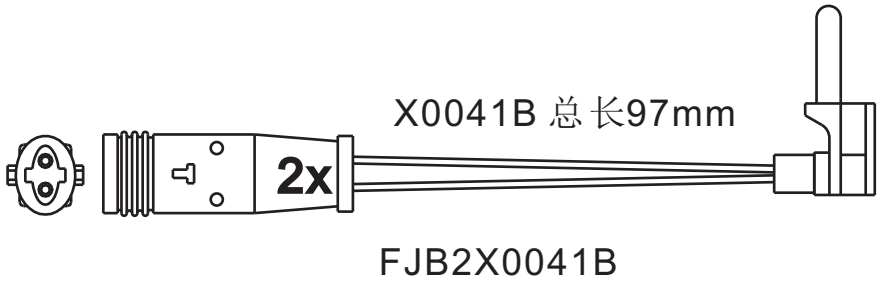
4x



M8X22

L0035

FJB0729.01



X0041B 总长97mm

2x

FJB2X0041B

SR1108.01

Dimension
(mm)

149.1X59.4

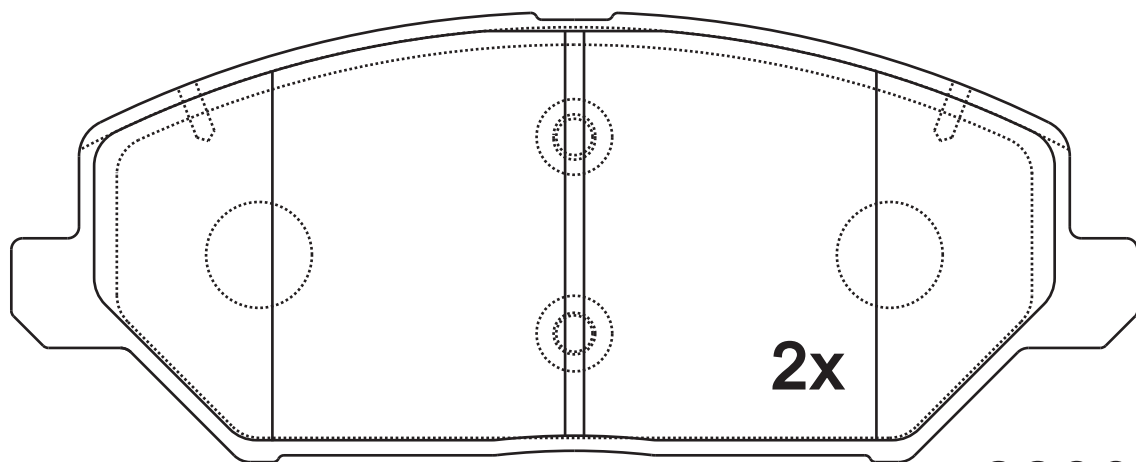
Thickness
(mm)

19.7

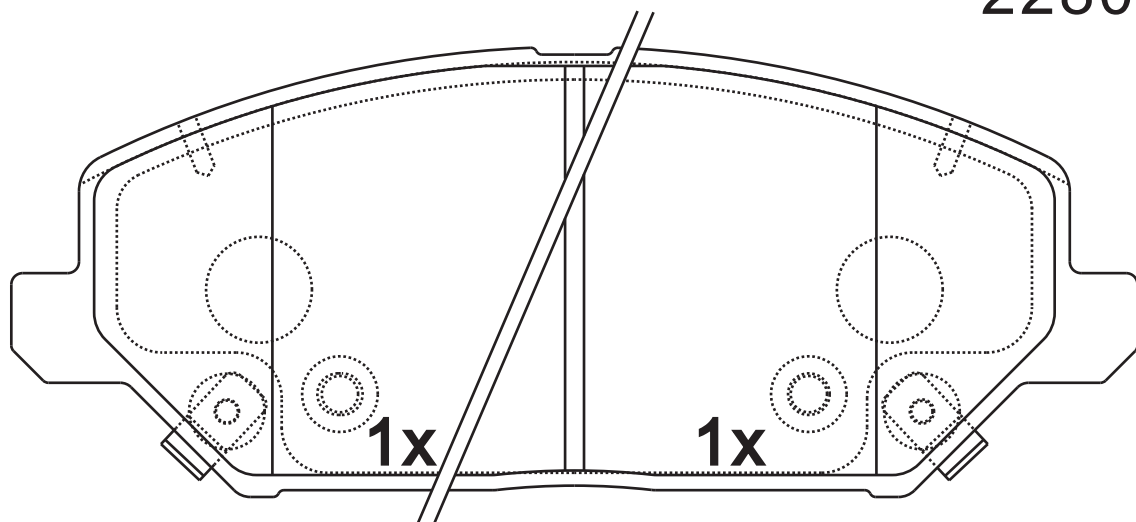


NOTE

2 identical; 2 identical, 1 with acoustic indicator (left), 1 with acoustic indicator (right).

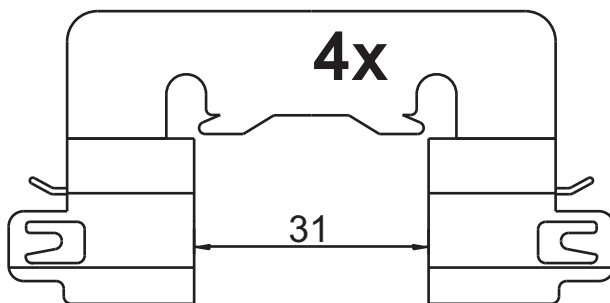


22804



22806


22805

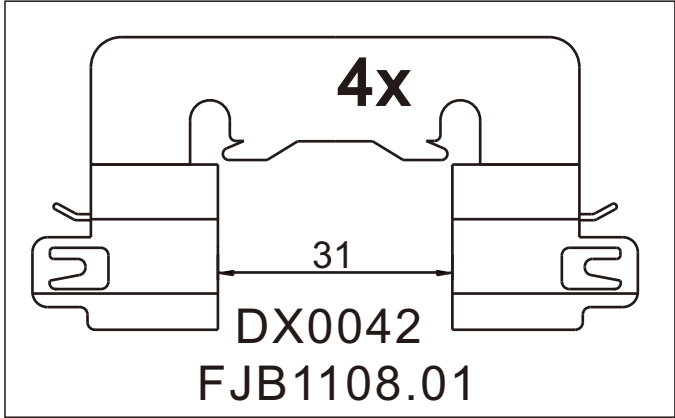


Apply for:

Hyundai I30 (Pde, Pd) 2016/11-

DX0042

SR1108	Dimension (mm)	Thickness (mm)		NOTE
				附件包 Accessory bag



SR1109.01

Dimension
(mm)

Thickness
(mm)

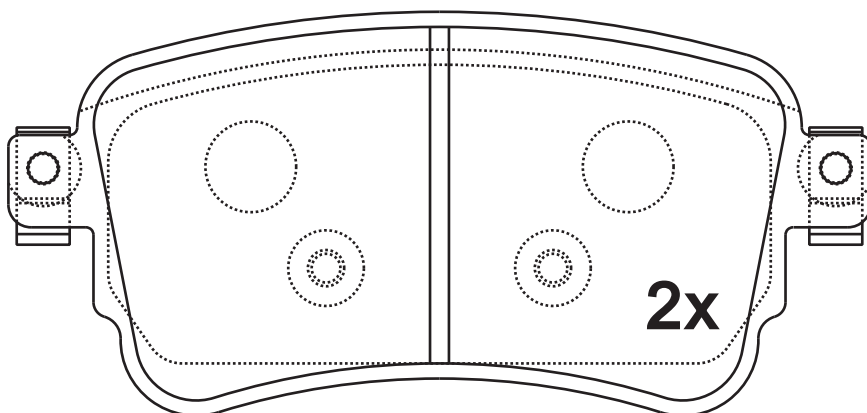


NOTE

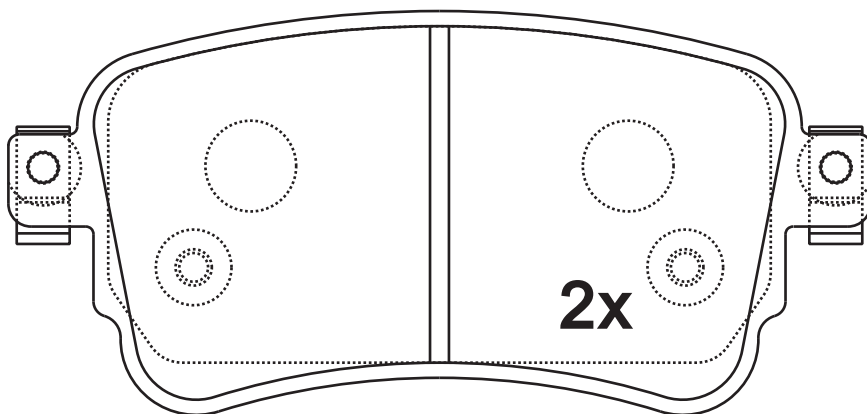
2 identical;2 identical,

114.1X53.3

17.5



22589



22588

Apply for:

Citroen Jumpy (V_)

Opel Vivaro C Box (K0)

2016/04-

2019/03-

SR1109

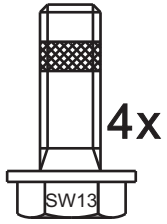
**Dimension
(mm)**

**Thickness
(mm)**



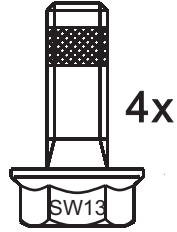
NOTE

**附件包
Accessory bag**



M8X22
L0035

FJB0729.01



M8X22
L0020

FJB0280.01

SR1110.01

Dimension
(mm)

127.2X54.7

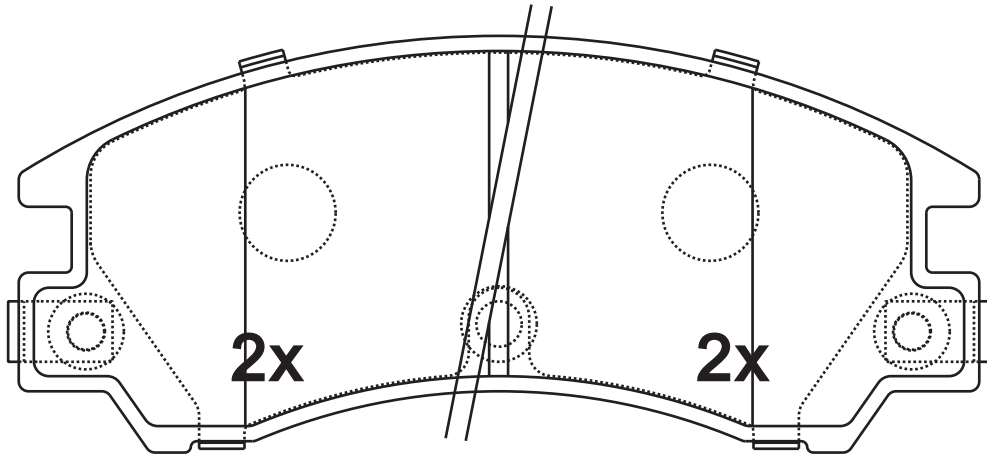
Thickness
(mm)

18



NOTE

2 identical;2 identical,



20112

20113

Apply for:

Subaru Xt Coupe (Xt) 1.8 Turbo 4Wd (Ax7)

1988-1990

SR1111.01

Dimension
(mm)

206.2X80

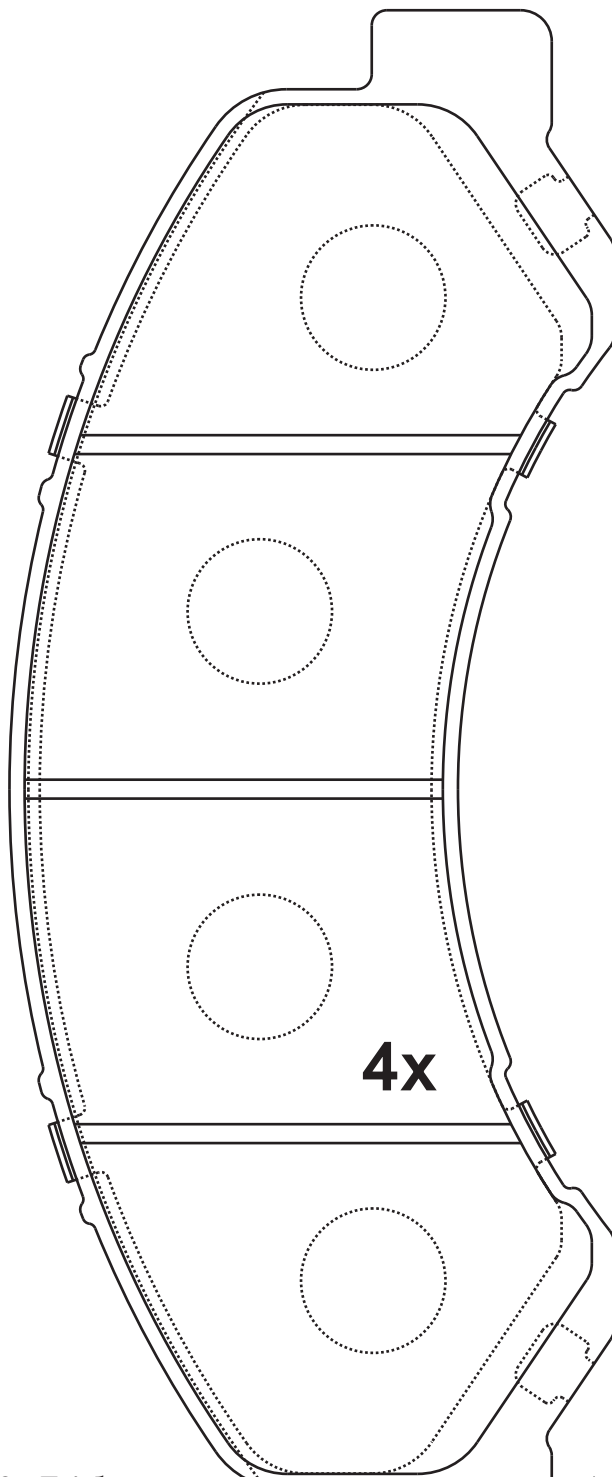
Thickness
(mm)

20.6



NOTE

4 identical;



D826

Apply for:

Chevrolet Truck W3500 Tiltmaster	1998-2000
Chevrolet Truck W4500 Tiltmaster	1998-2000
Chevrolet Truck W5500Hd Tiltmaster Class 5	1998-2003
Gmc Truck W3500 Forward	1998-2000
Gmc Truck W4500 Forward	1998-2000
Gmc Truck W5500Hd Forward	1998-2003
Isuzu Commercial N	1998-2002

SR1112.01

Dimension
(mm)

180.2X69.5

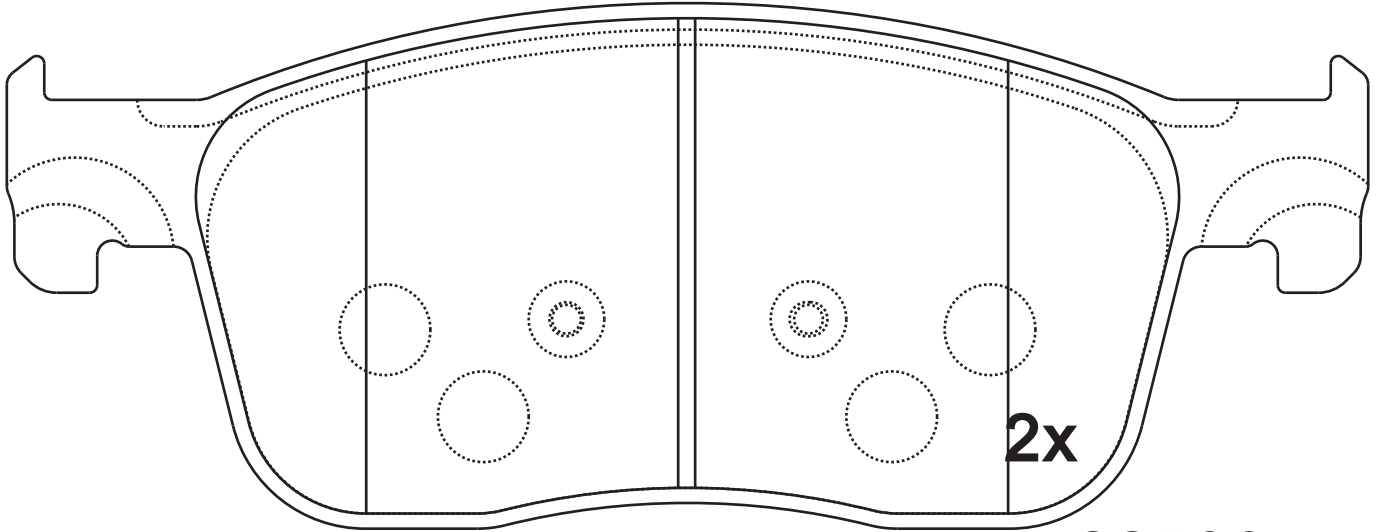
Thickness
(mm)

17.3

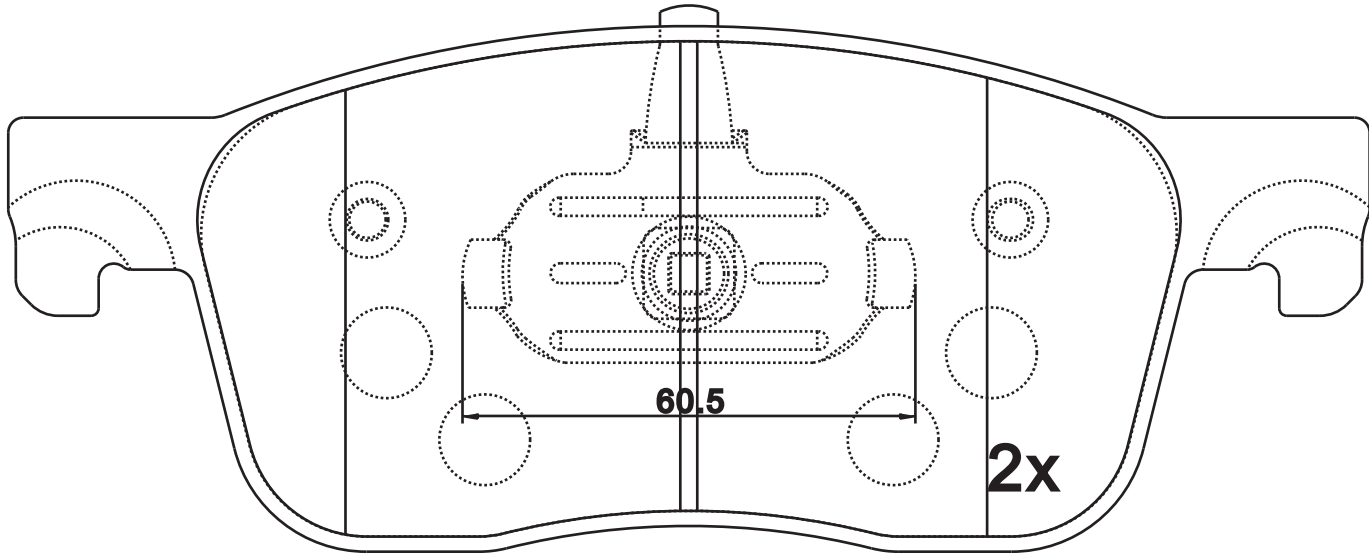


NOTE

2 identical;2 identical,



22593



22594

Apply for:

Citroen Jumpy (V_)

2016/04-

Peugeot Expert (V_)

2016/04-

SR1113.01

Dimension
(mm)

121.6×55.2

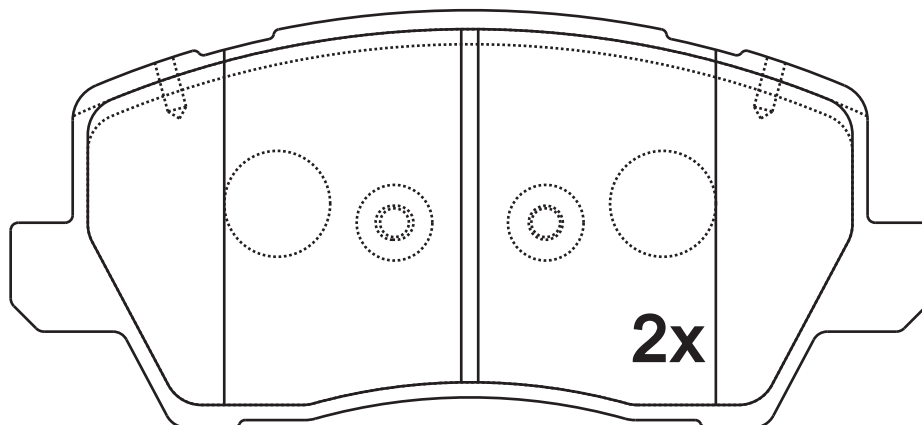
Thickness
(mm)

17.6



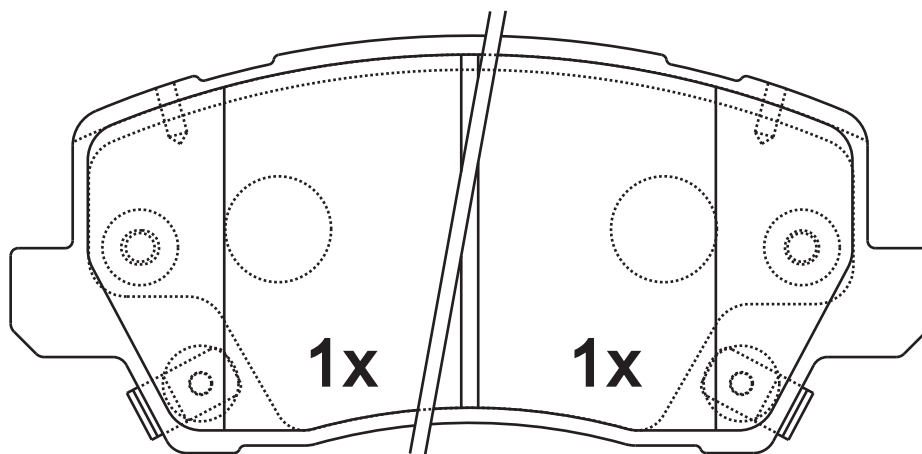
NOTE

2 identical; 2 identical, 1 with acoustic indicator (left), 1 with acoustic indicator (right).



2x

22904



1x

1x

22905

22906

58101-G6A40

Apply for:

Kia Picanto (Ja)

2017/03-

SR1113

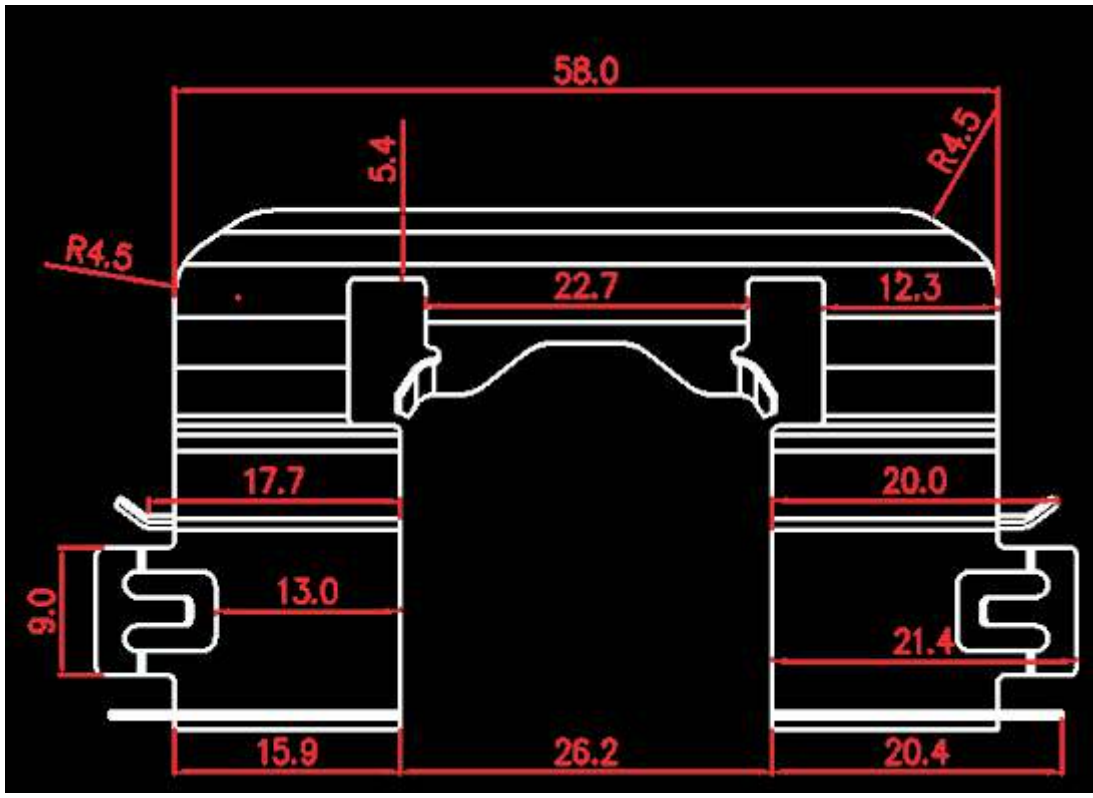
**Dimension
(mm)**

**Thickness
(mm)**



NOTE

**附件包
Accessory bag**



DX0027
FJB1113.01

SR1114.01

Dimension
(mm)

141.4X65.2

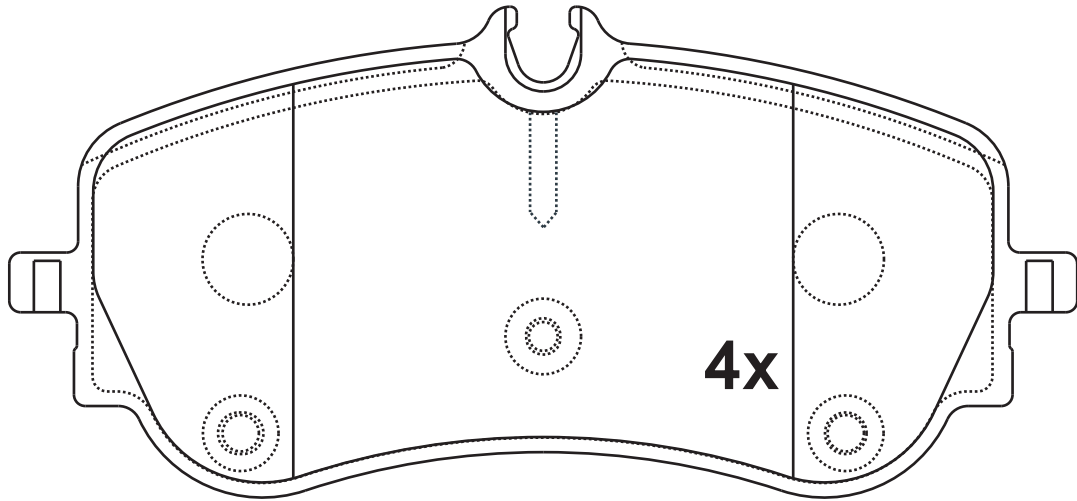
Thickness
(mm)

19.1



NOTE

4 identical;



22802



8x

Apply for:

VOLKSWAGEN AMAROK Platform/Chassis (S1B)

2011/09-

SR1114

**Dimension
(mm)**

**Thickness
(mm)**



NOTE

**附件包
Accessory bag**



	
8x	4x
19.1*21.7*9.7	M8X22
DX0026	L0020
FJB1114.01	

SR1115.01

Dimension
(mm)

163.8X75.6

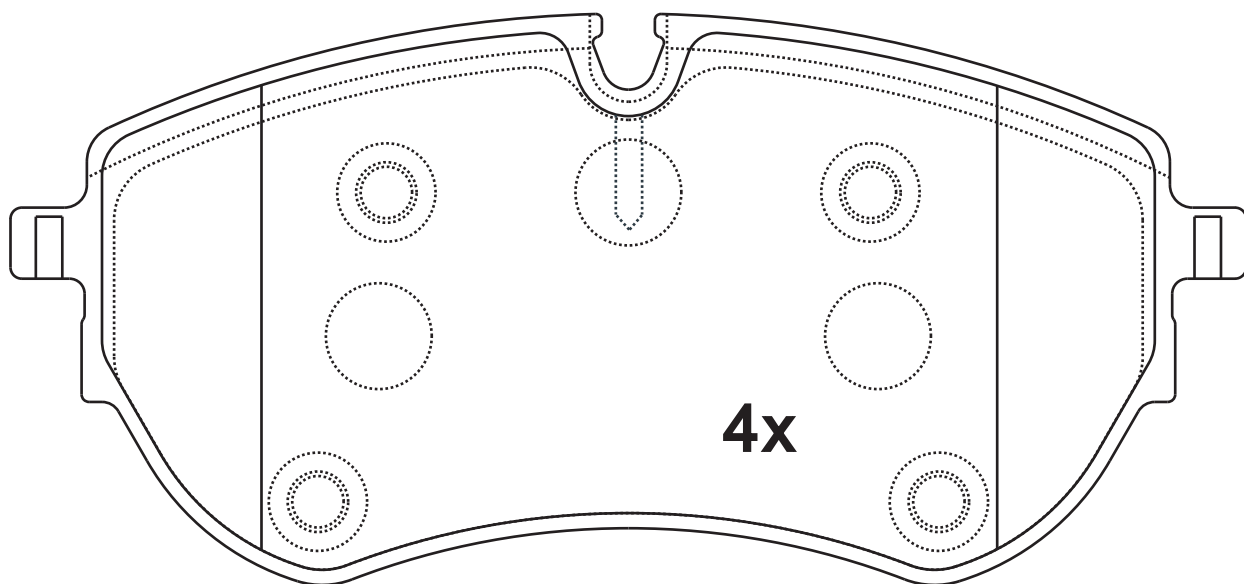
Thickness
(mm)

19.5



NOTE

4 identical;



K0367



8x

22644

Apply for:

VOLKSWAGEN AMAROK Platform/Chassis (S1B)

2011/09-

SR1115

**Dimension
(mm)**

**Thickness
(mm)**



NOTE

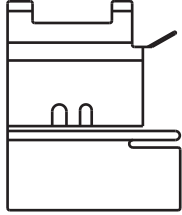
附件包

Accessory bag

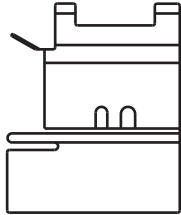


26*32.3*10.5

4x



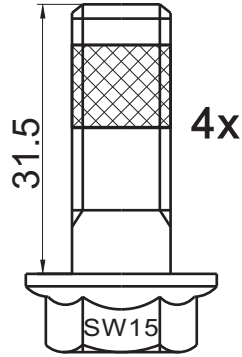
DX0029



DX0028

4x

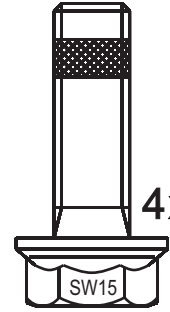
FJB1115.01



4x

M10X31.5

L0023
(替代L0041)



4x

M10X31

L0023

FJB0649.02

SR1116.01

Dimension
(mm)

Thickness
(mm)

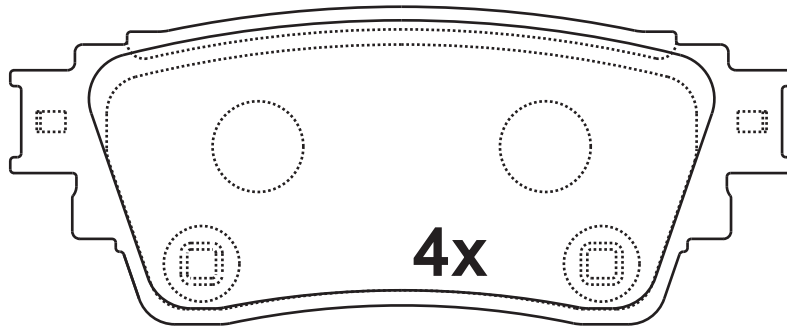


NOTE

4 identical;

103.4X42.1

14



4605B989

Apply for:
Mitsubishi Eclipse Cross (Gk_)

2017/10-

SR1117.01

Dimension
(mm)

Thickness
(mm)

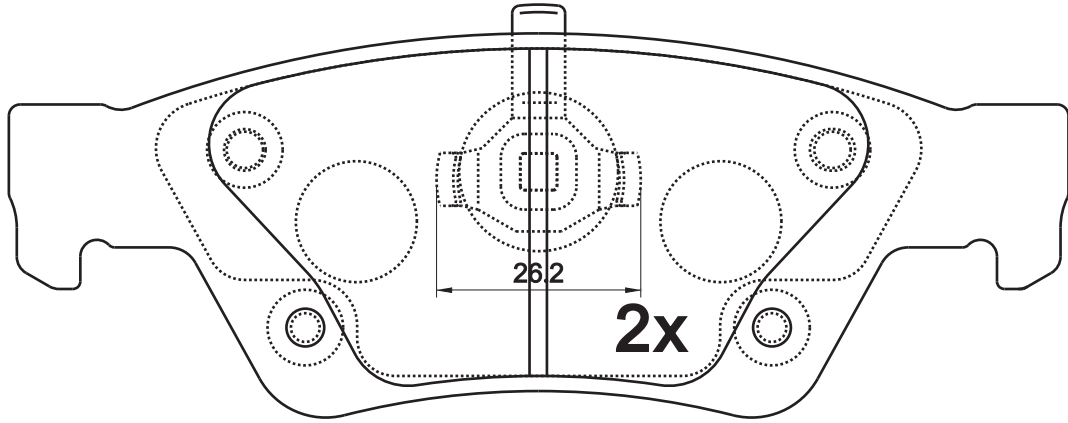


NOTE

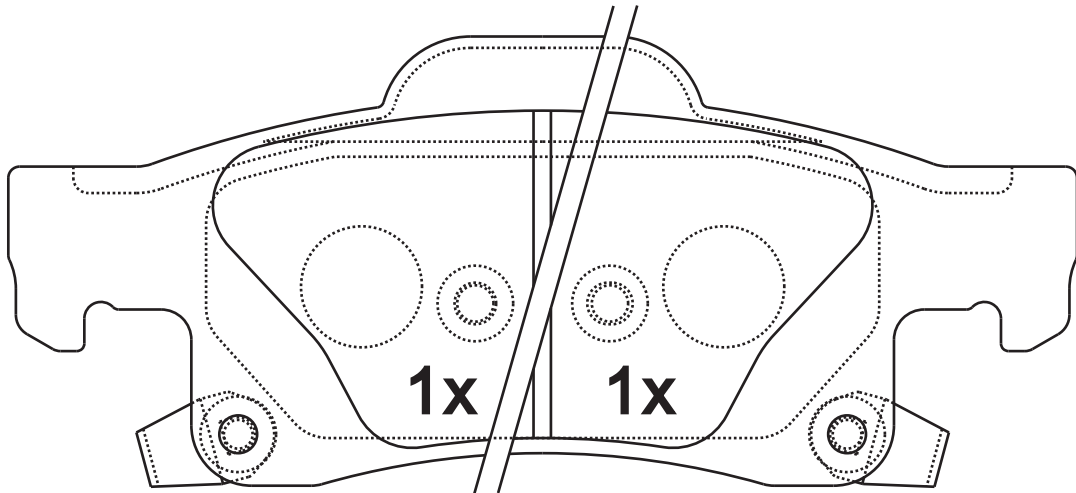
2 identical; 2 identical, 1 with acoustic indicator (left), 1 with acoustic indicator (right).

140.2X50.8
141.5X59.5

16.7



D1498



Apply for:

Dodge Truck Durango Hd Brakes
Jeep Grand Cherokee

2012-2014
2011-2012

SR1117

**Dimension
(mm)**

**Thickness
(mm)**



NOTE

**附件包
Accessory bag**



K0415

2x

FJB0359.01(FJB0513.01编号取消)

SR1118.01

Dimension
(mm)

155.1X68.7
155.1X61.4

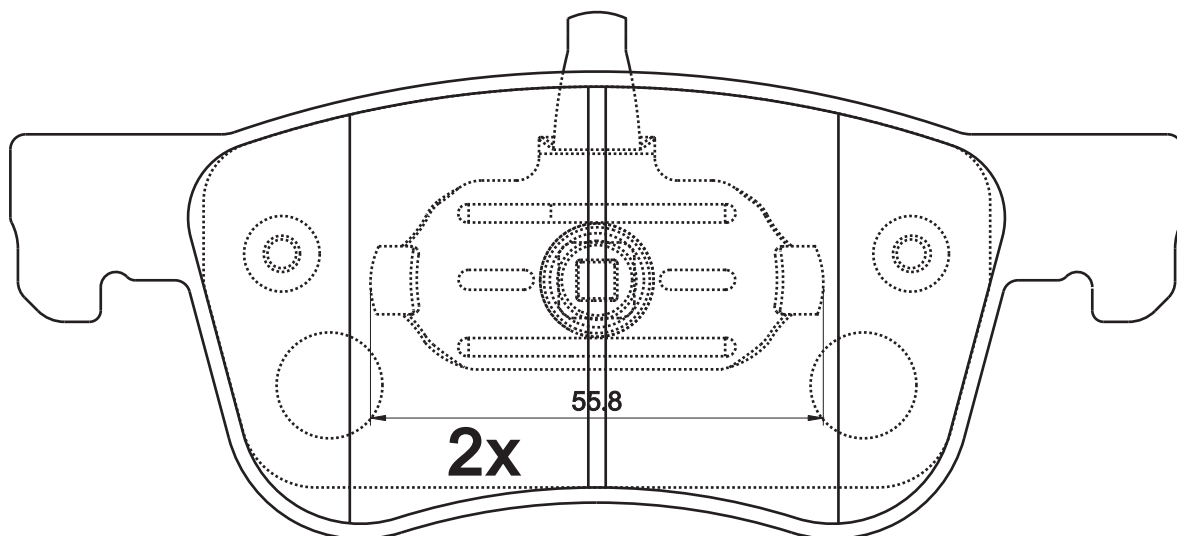
Thickness
(mm)

18.3

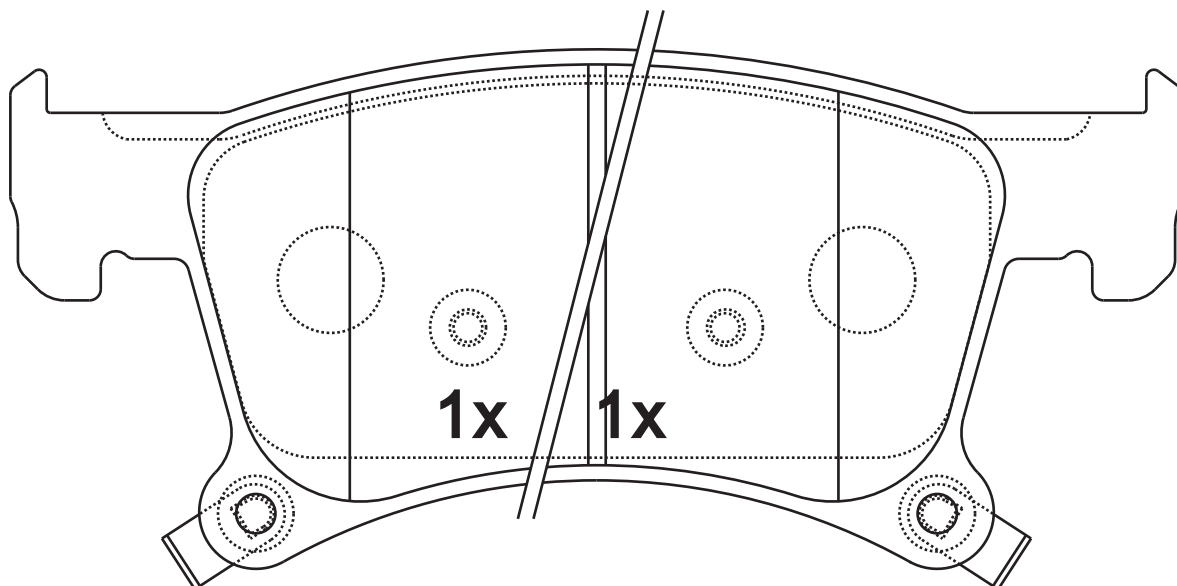


NOTE

2 identical; 2 identical, 1 with acoustic indicator (left), 1 with acoustic indicator (right).



RD0591



Apply for:
GL6

SR1119.01

Dimension
(mm)

116.5X50.2

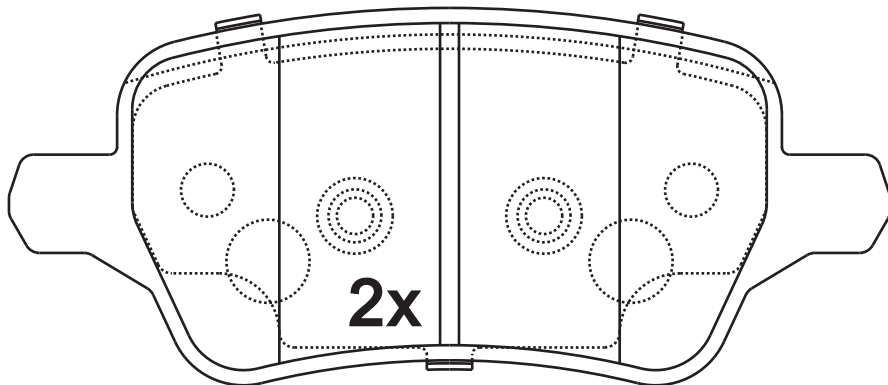
Thickness
(mm)

16.7

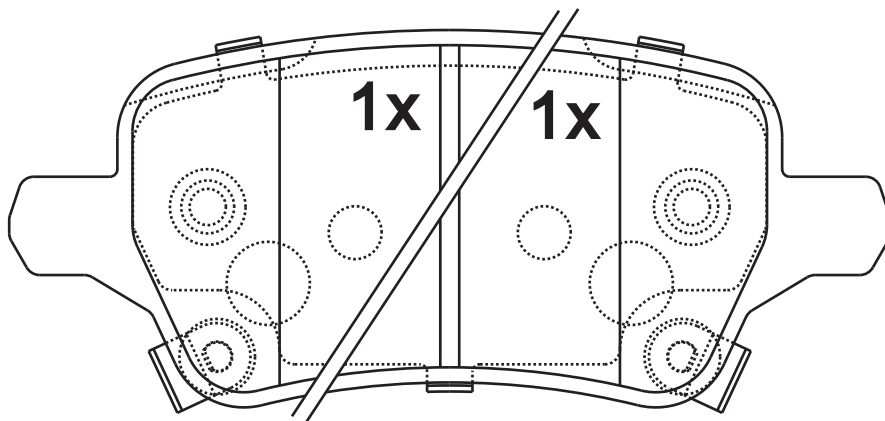


NOTE

2 identical; 2 identical, 1 with acoustic indicator (left), 1 with acoustic indicator (right).



D2157



Apply for:

上汽GL8

SR1120.01

Dimension
(mm)

Thickness
(mm)

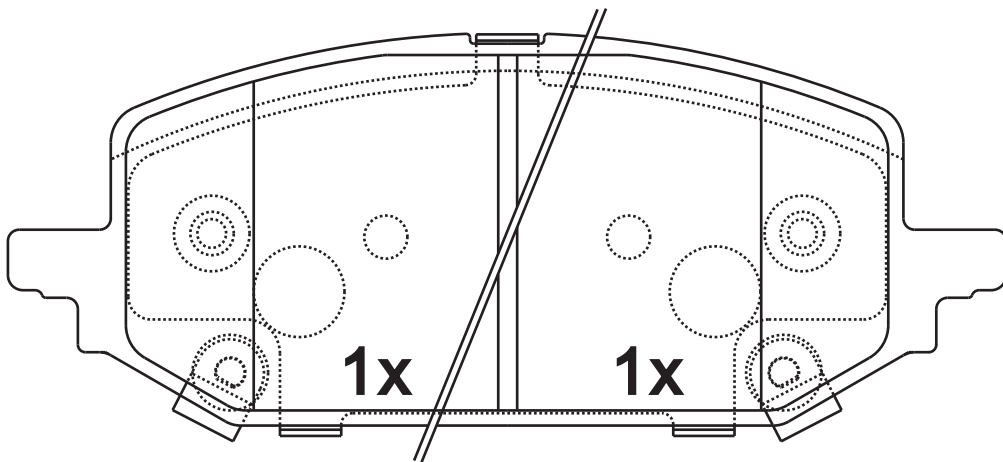
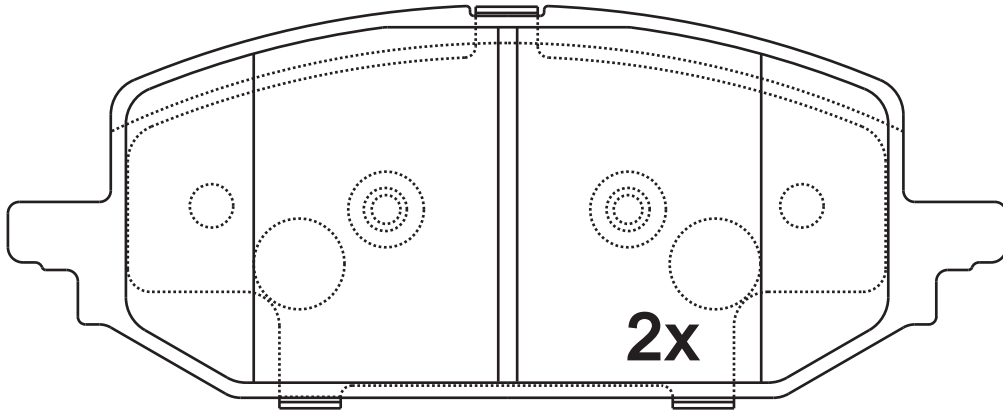


NOTE

2 identical; 2 identical, 1 with acoustic indicator (left), 1 with acoustic indicator (right).

132X52

18



RD0592

Apply for:

SR1121.01

Dimension
(mm)

180X61

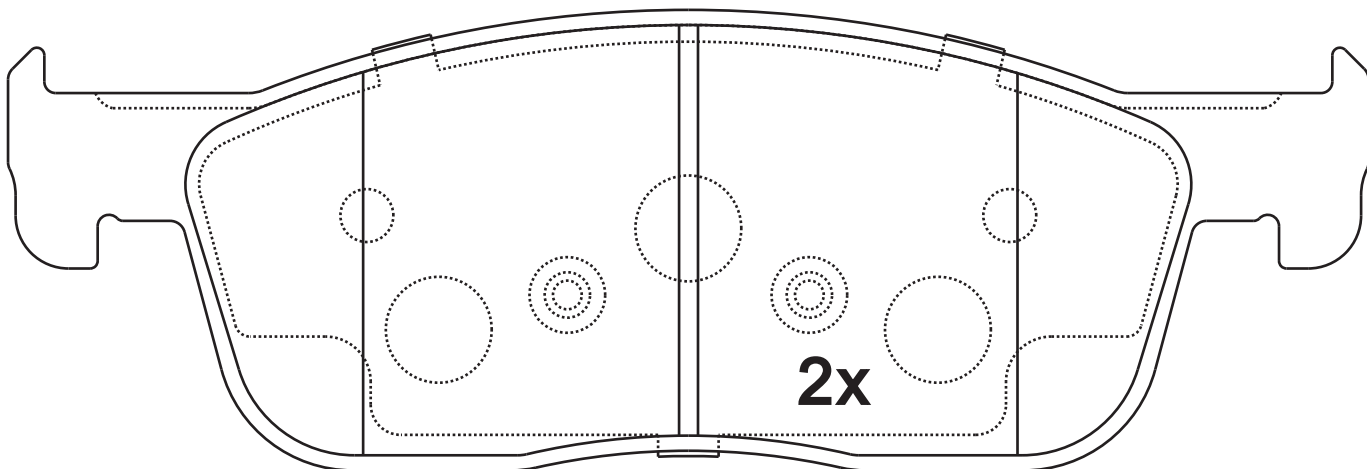
Thickness
(mm)

18

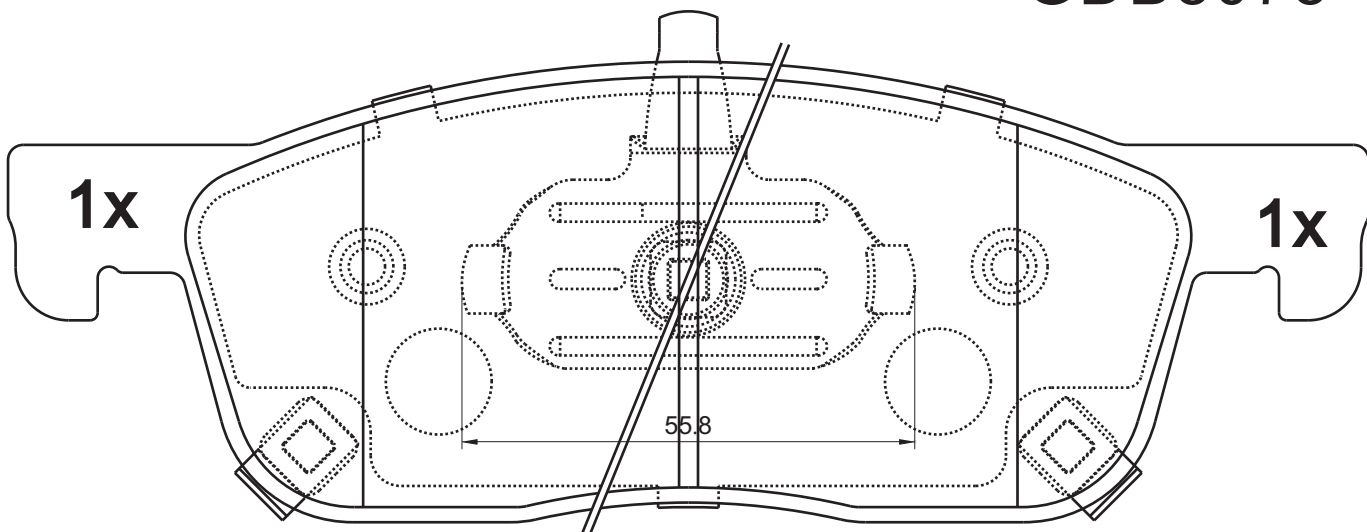


NOTE

2 identical;2 identical,1 with acoustic indicator (left),1 with acoustic indicator(right).



GDB8078



Apply for:

Buick (Sgm) G18 Es Iii (Cu4) 2016-

SR1122.01

Dimension
(mm)

Thickness
(mm)

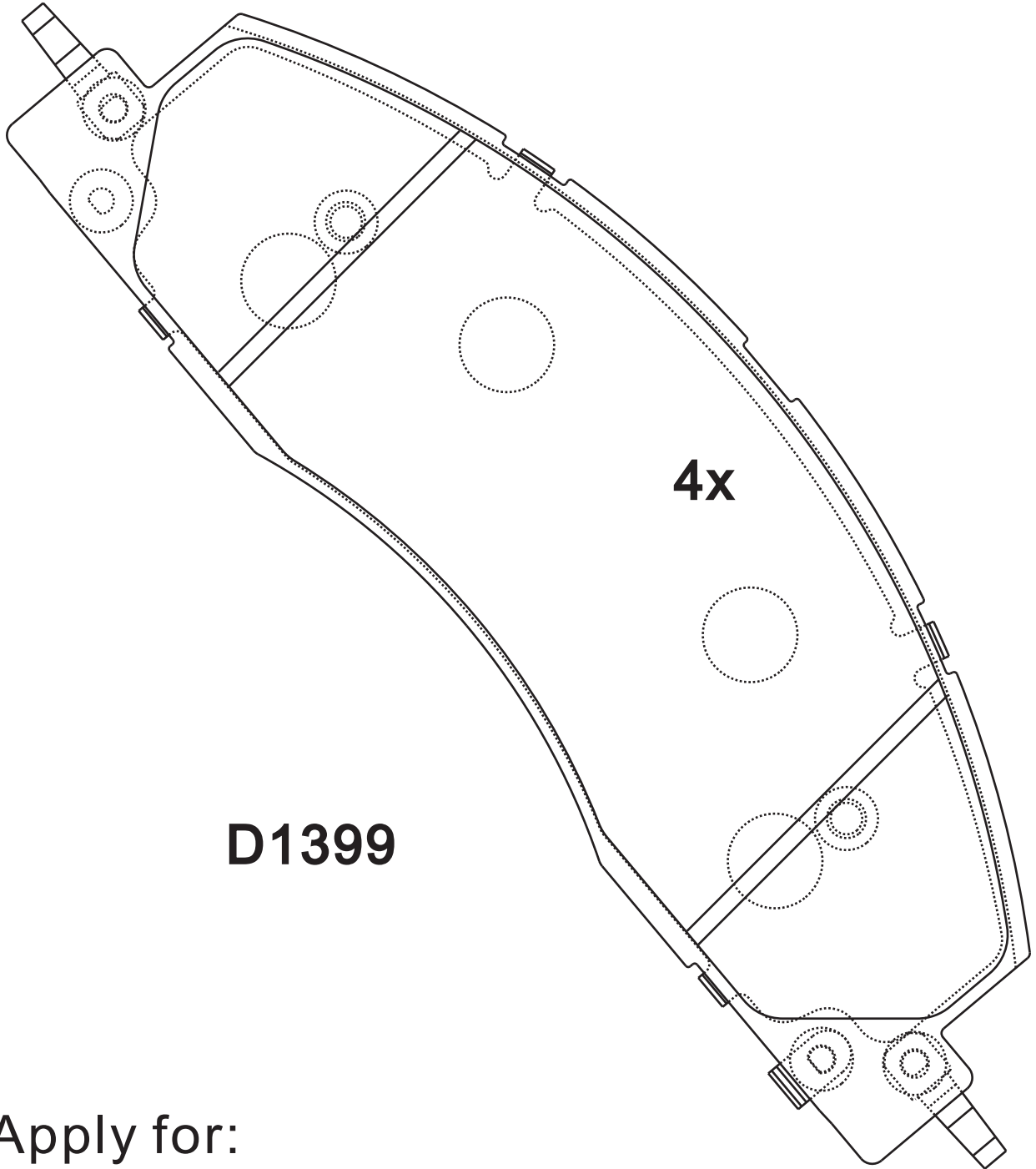


NOTE

4 identical;

214.4X71.2

20.1



D1399

Apply for:

Dodge Truck Ram 3500
Ram 1500 Tradesman Hd

2009-2011
2012

SR1123.01

Dimension
(mm)

Thickness
(mm)

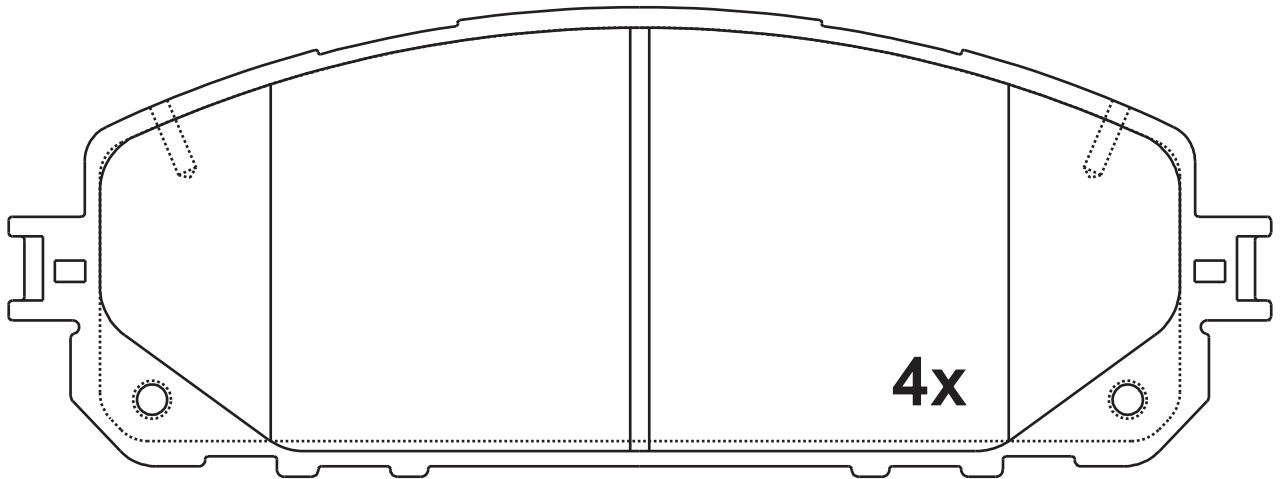


NOTE

4 identical;

167X62

17.5



22070



Apply for:

Jeep Cherokee (K1)

2014-2018

Jeep Cherokee (K1)

2015-2018

SR1123

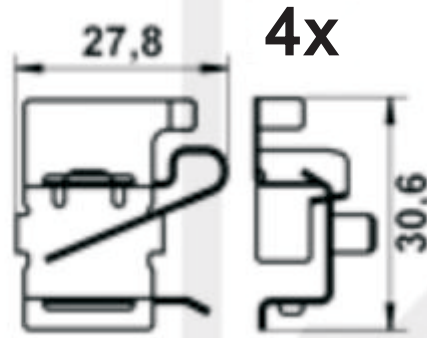
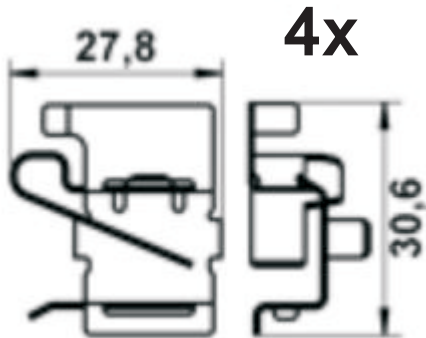
**Dimension
(mm)**

**Thickness
(mm)**



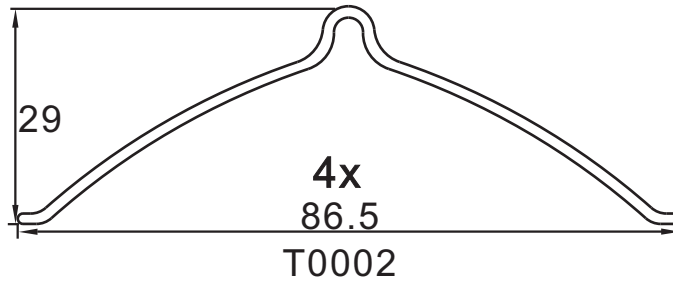
NOTE

附件包
Accessory bag



Dx0088

Dx0089



FJB1123.01

SR1124.01

Dimension
(mm)

165.7X54

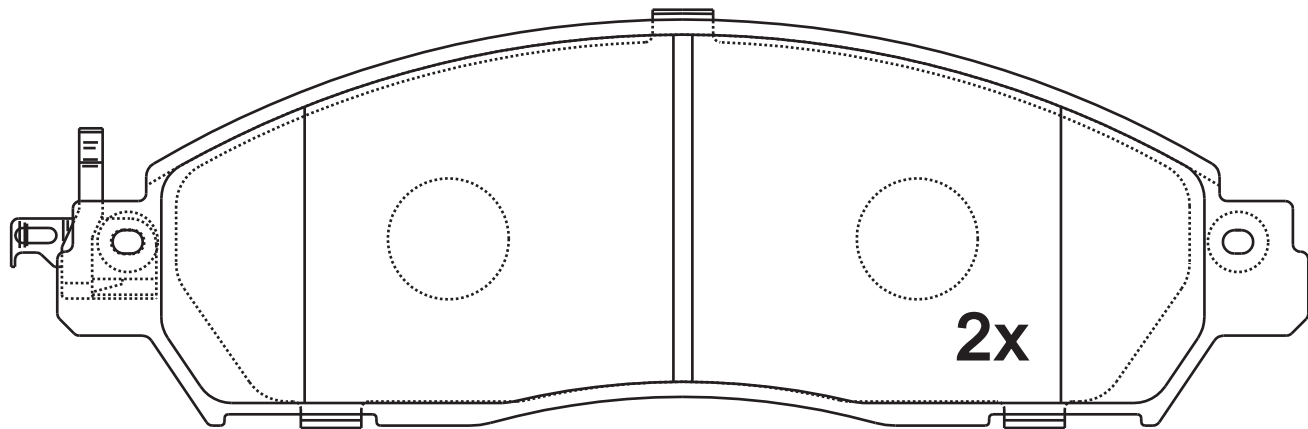
Thickness
(mm)

17.5

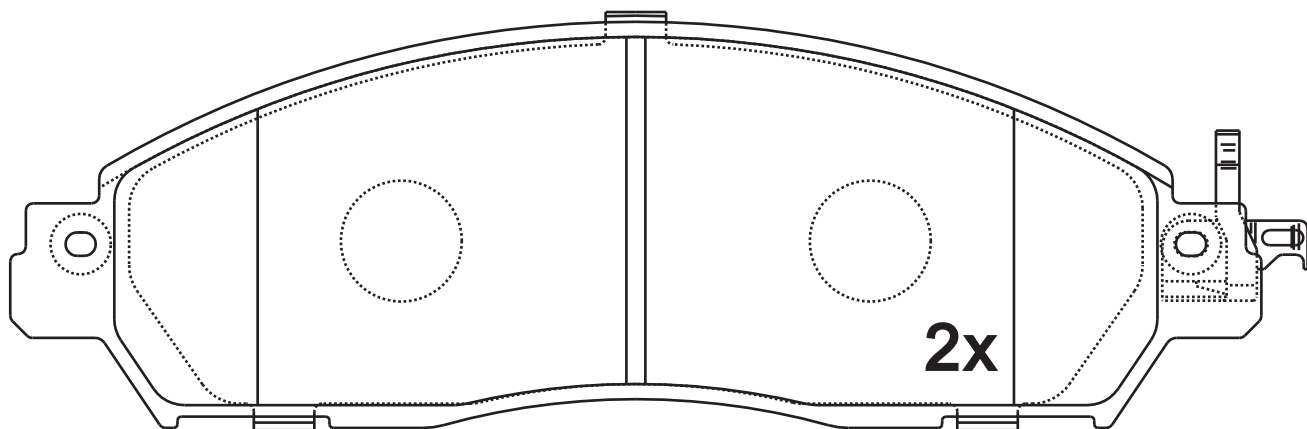


NOTE

2 identical;2 identical,



22439



22440

Apply for:

Nissan Navara Platform/Chassis (D23)
Renault Alaskan

2015-
2017-

SR1125.01

Dimension
(mm)

125.7X76.5
147.3X59.1

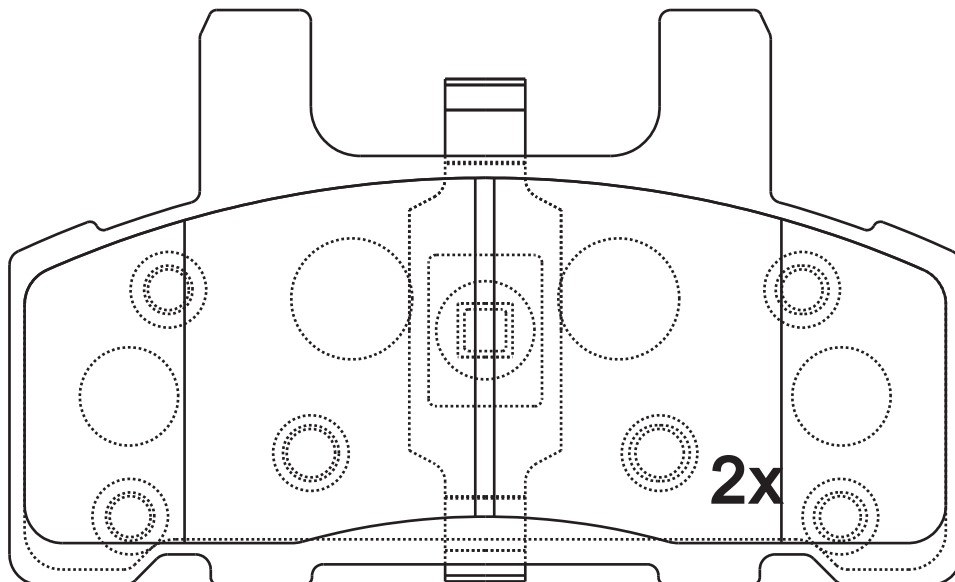
Thickness
(mm)

16.3

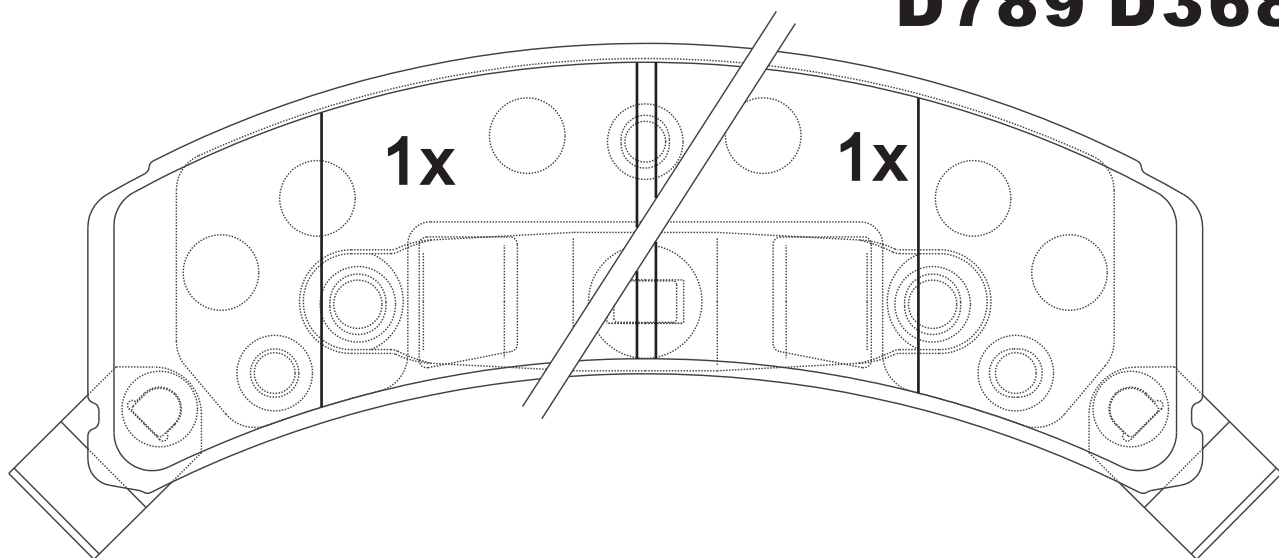


NOTE

2 identical; 2 identical, 1 with acoustic indicator (left), 1 with acoustic indicator (right).



D789 D368



Apply for:

Cadillac Fleetwood Hd Brakes
Chevrolet Truck Astro Awd

1990-1992
1990-2002

SR1126.01

Dimension
(mm)

113.1X48.2

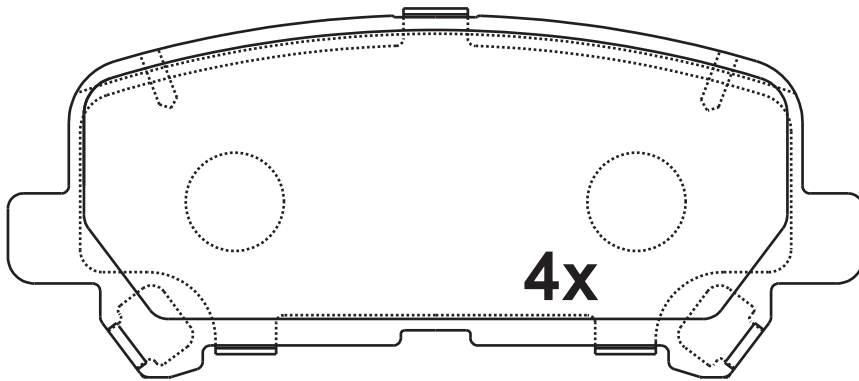
Thickness
(mm)

16



NOTE

4 identical;



B0038

25434

Apply for:

Toyota Hiace Vi Box (__ H3 __)

Toyota Hiace Vi Bus (__ H3 __)

2019/02-

2019/02-

SR1127.01

Dimension
(mm)

122.4X64.3
122.4X70.1

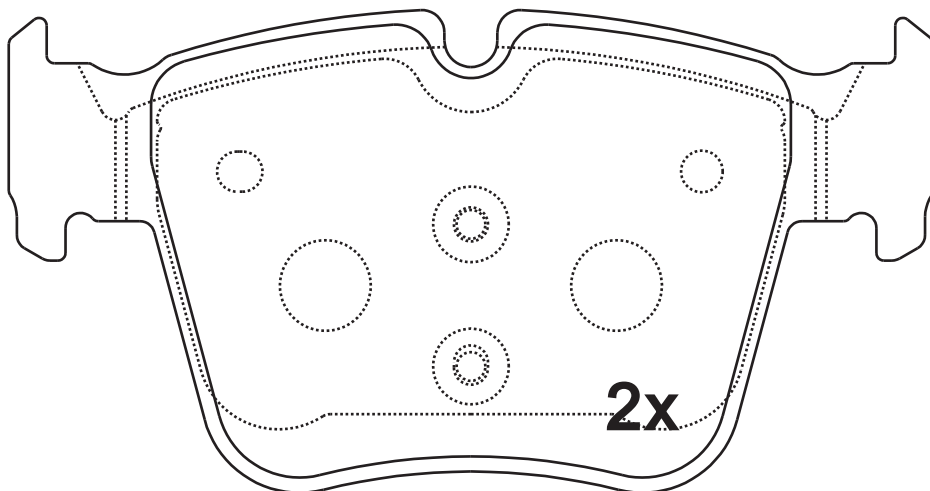
Thickness
(mm)

15.8

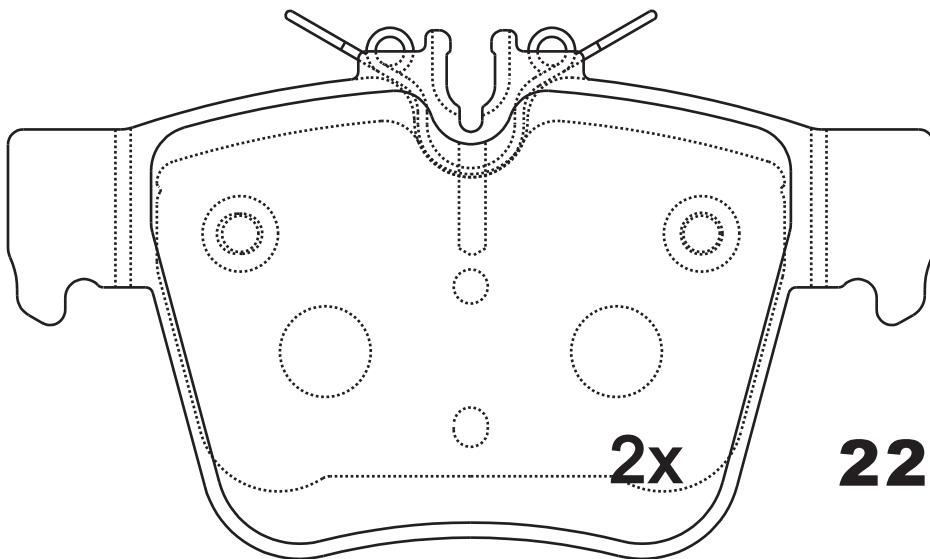


NOTE

2 identical;2 identical,



22423



22424

Apply for:

Mercedes Benz C-Class (W205)

Mercedes Benz Glc (X253)

2013/07-

2015/06-

SR1127.01

Dimension
(mm)

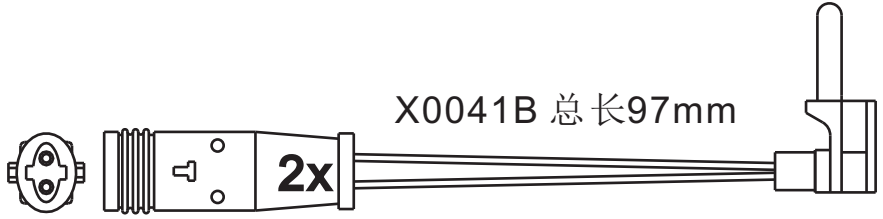
Thickness
(mm)



NOTE

附件包
Accessory bag

X0041B 总长97mm



FJB2X0041B

SR1128.01

Dimension
(mm)

118.7X49.3

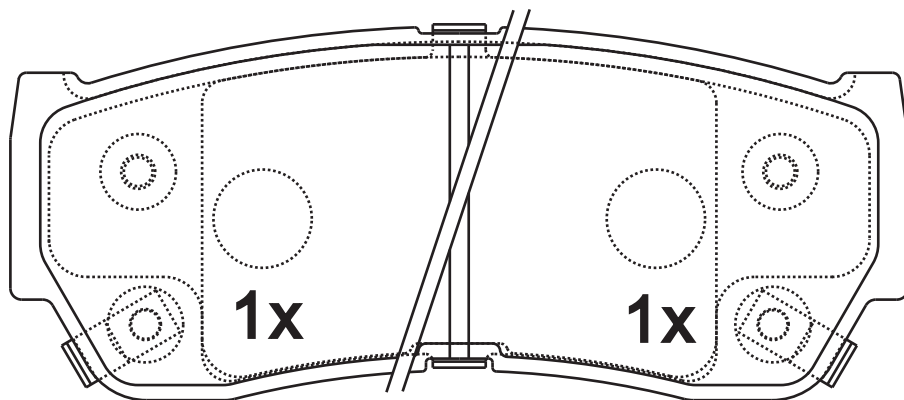
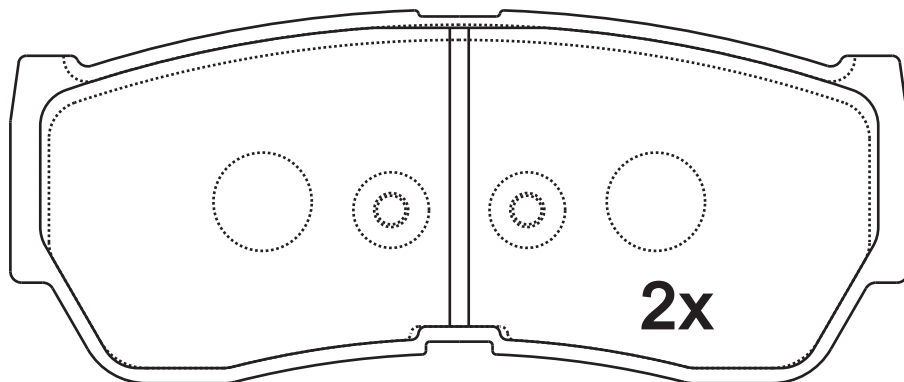
Thickness
(mm)

15.2
15.6



NOTE

2 identical; 2 identical, 1 with acoustic indicator (left), 1 with acoustic indicator (right).



3504300P3031

Apply for:

江淮 帅铃 T8

SR1129.01

Dimension
(mm)

113.3X91.3

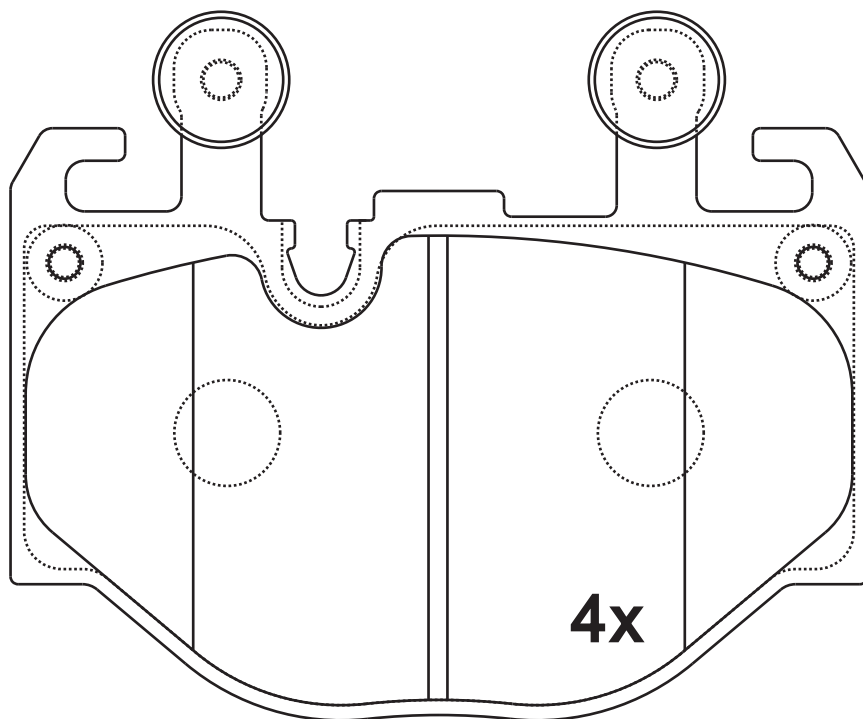
Thickness
(mm)

17.8



NOTE

4 identical;



34116880625

Apply for:

Bmw 5 (G30, F90)

2016/09-

Bmw (Brilliance) 5 Series (G38)

2017/06-

SR1129.01

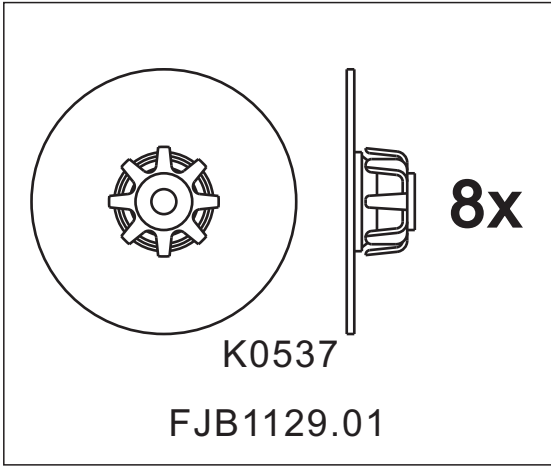
Dimension
(mm)

Thickness
(mm)



NOTE

附件包
Accessory bag



SR1130.01

Dimension
(mm)

Thickness
(mm)



NOTE

2 identical; 2 identical,

142X96

19.1

2x

2x

Apply for:

Mercedes Benz C-Class (W205)

Mercedes Benz C-Class T-Model (S205)

22586 22587

2013/07-

2014/09-

SR1130.01

Dimension
(mm)

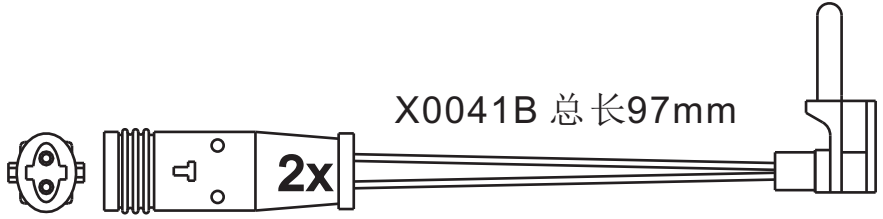
Thickness
(mm)



NOTE

附件包
Accessory bag

X0041B 总长97mm



FJB2X0041B

SR1131.01

Dimension
(mm)

Thickness
(mm)

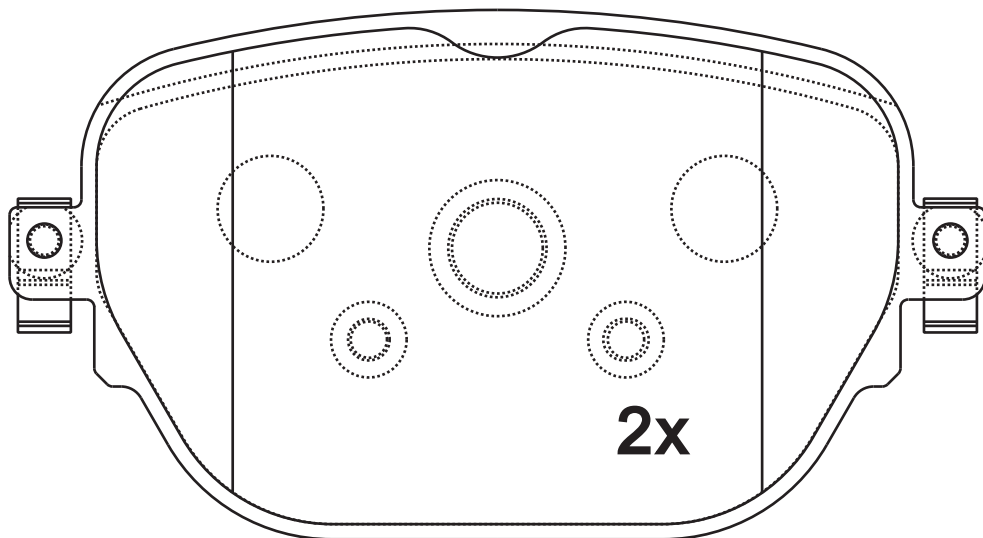


NOTE

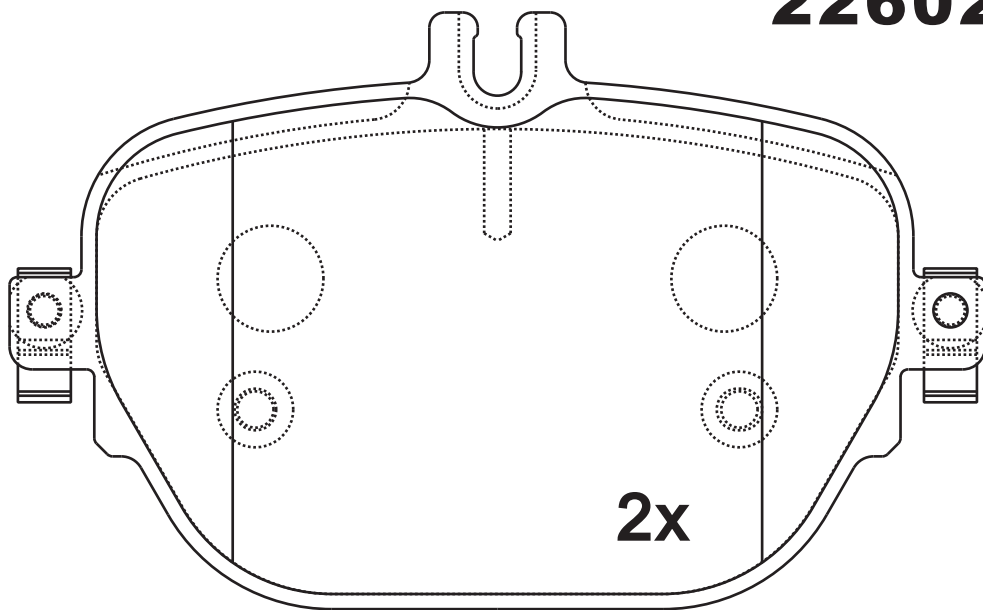
2 identical;2 identical,

129X70
129X79

17.3



22602



22603

Apply for:

Mercedes Benz Amg Gt (X290)

2018/07-

Mercedes Benz E-Class Convertible (A238)

2017/06-

SR1131.01

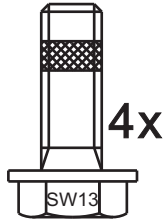
Dimension
(mm)

Thickness
(mm)



NOTE

附件包
Accessory bag



M8X22
L0035
FJB0729.01

SR1132.01

Dimension
(mm)

114.2X62.3
114X72

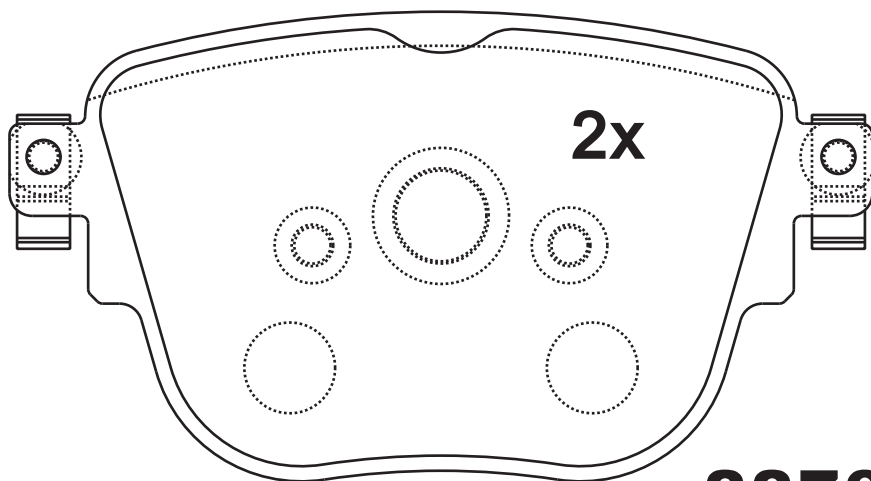
Thickness
(mm)

17.4

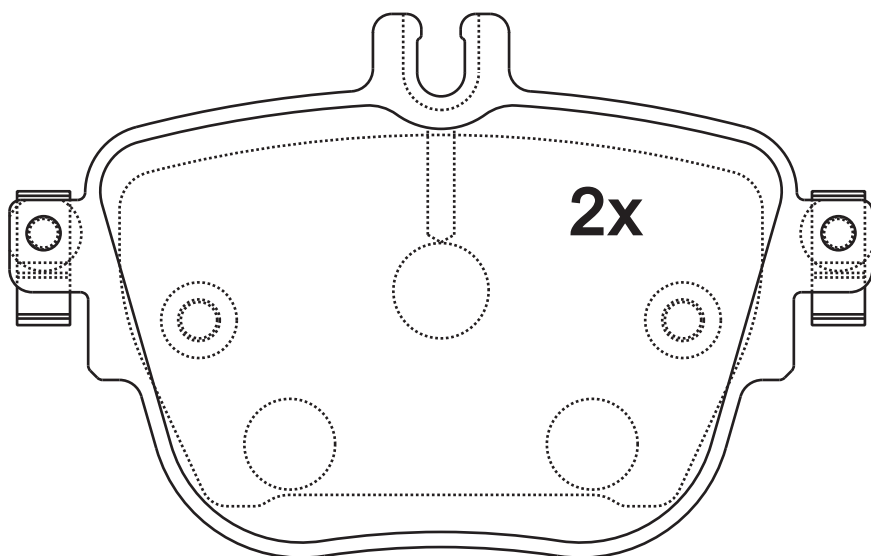


NOTE

2 identical;2 identical,



22792



22793

Apply for:

Mercedes Benz CIs (C257)

2017/12-

Mercedes Benz E-Class All-Terrain (S213)

2017/01-

SR1132.01

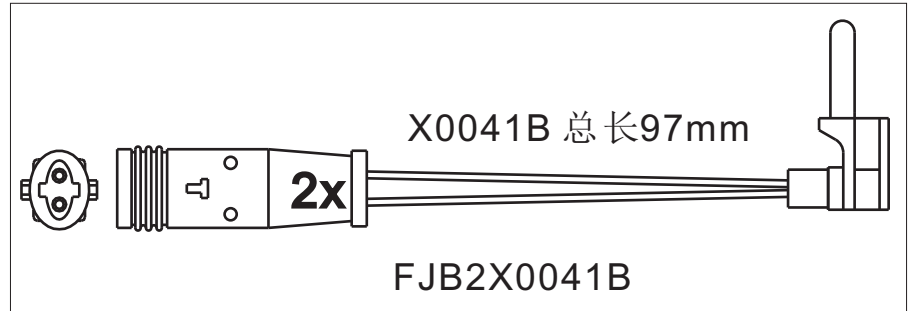
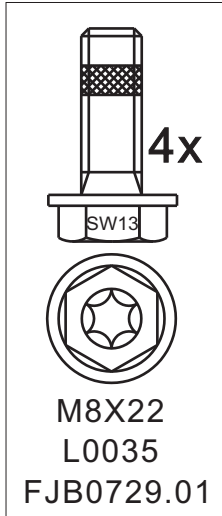
Dimension
(mm)

Thickness
(mm)



NOTE

附件包
Accessory bag



SR1133.01

Dimension
(mm)

146.2X67.8
146X58.2

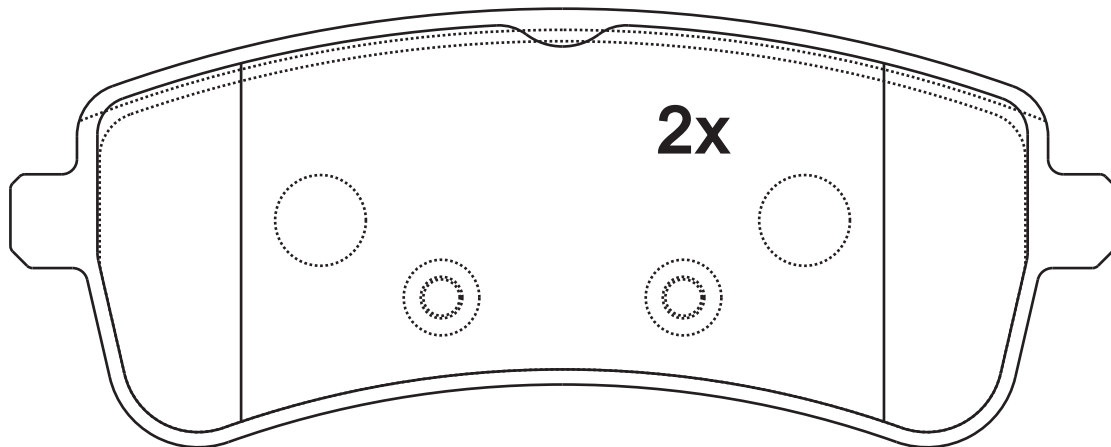
Thickness
(mm)

18.6

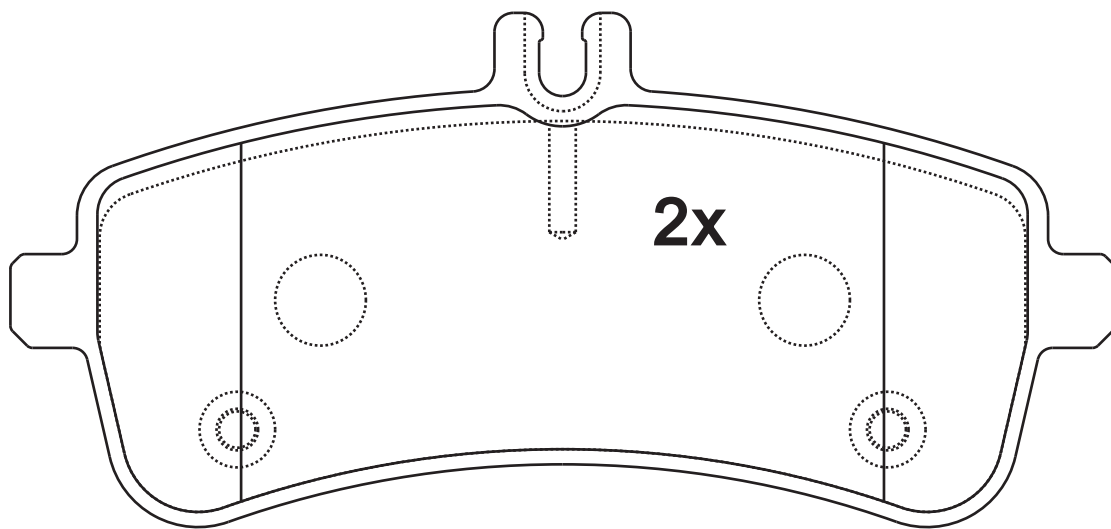


NOTE

2 identical;2 identical,



25164



25163

Apply for:

奔驰 AMG GT (C190) 2014-

奔驰 S-CLASS (W222, V222, X222) 2013-

奔驰 S-CLASS Coupe (C217) 2014-

奔驰 SL63 AMG Ceramic 2013-2014

奔驰 SL65 AMG Ceramic 2013-1014

SR1133.01

Dimension
(mm)

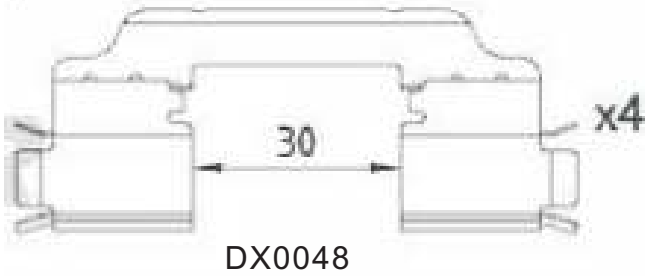
Thickness
(mm)



NOTE

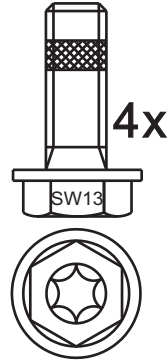
附件包

Accessory bag

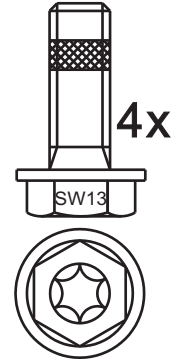


DX0048

FJB1133.01



M8X22
L0035



M8X22
L0035
FJB0729.01

SR1134.01

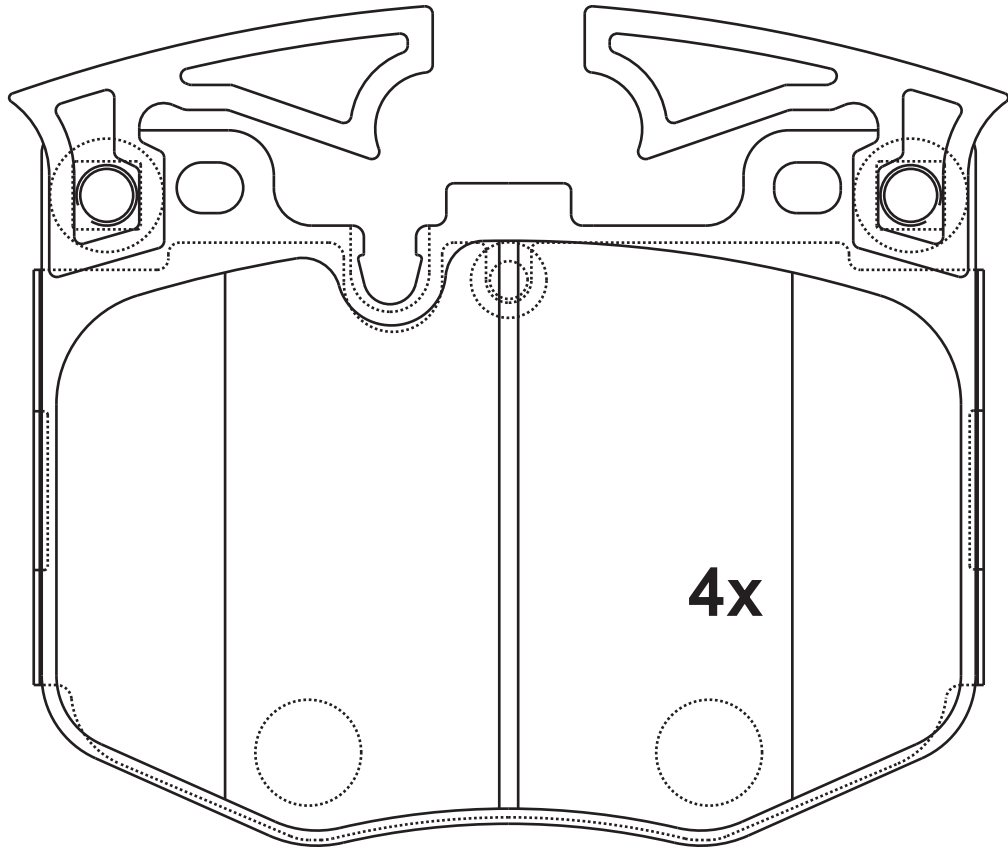
Dimension
(mm)

Thickness
(mm)



NOTE

4 identical;



22425


Apply for:

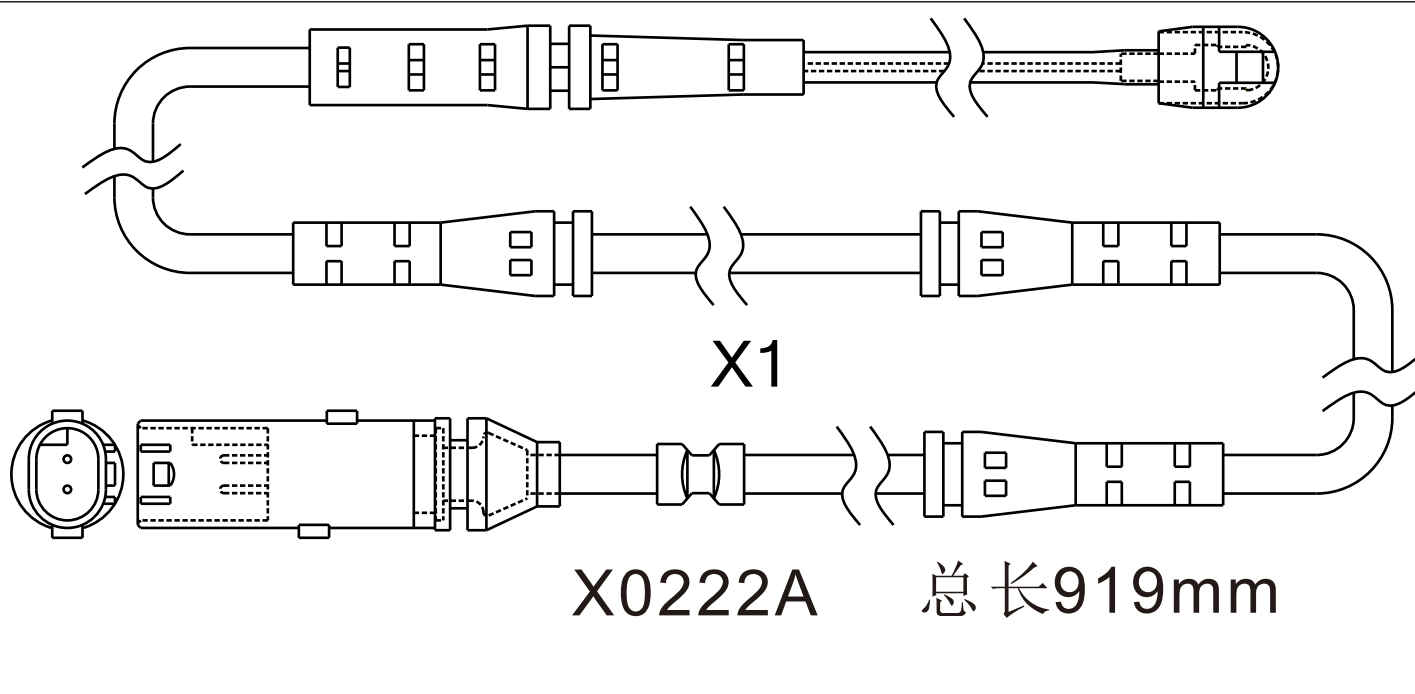
Bmw 5 (G30, F90)

2016/09-

Bmw 7 (G11, G12)

2014/10-

SR1134	Dimension (mm)	Thickness (mm)		NOTE
				附件包 Accessory bag



SR1135.01

Dimension
(mm)

Thickness
(mm)

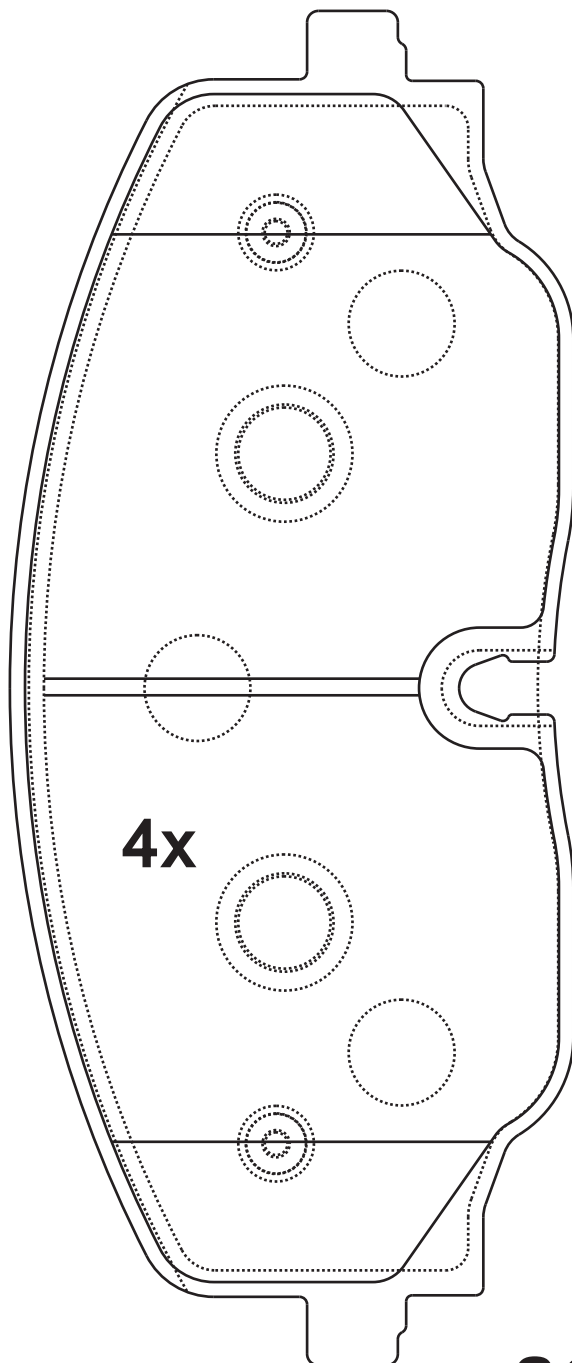


NOTE

4 identical;

179.2X74.5

19.2



3CG698151

Apply for:

- 途昂 2.0 330 TSI 2017 -
- 途昂 2.0 380 TSI 4motion 2017 -
- 途昂 2.5 530 V6 4motion 2017 -

版次: A/3

SR1135.01

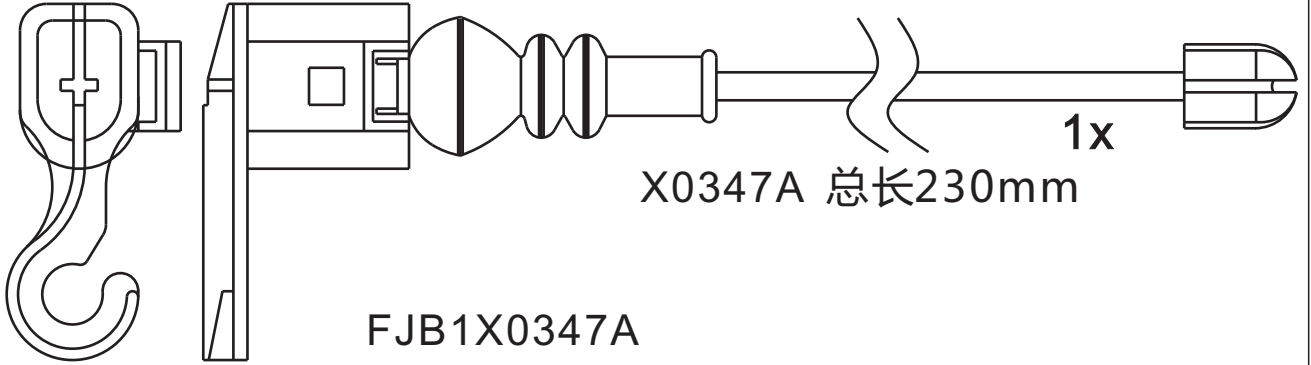
Dimension
(mm)

Thickness
(mm)



NOTE

附件包
Accessory bag



SR1136.01

Dimension
(mm)

118.5X48.3

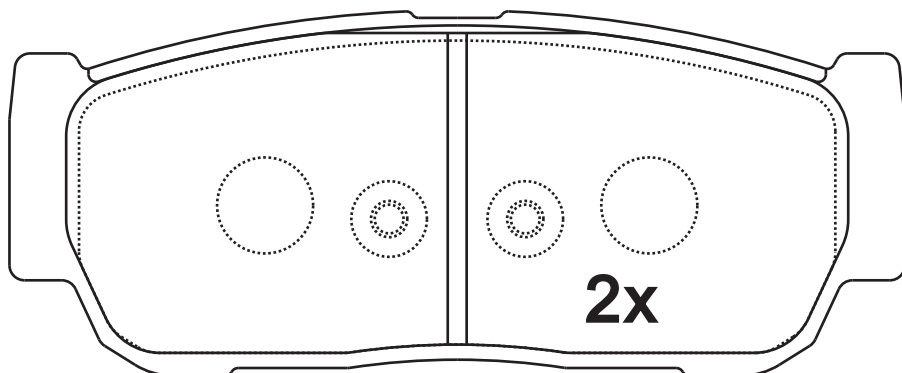
Thickness
(mm)

15

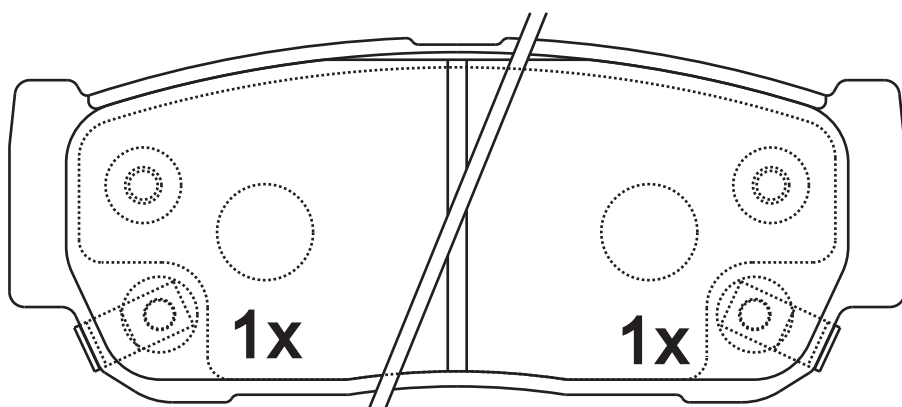


NOTE

2 identical; 2 identical, 1 with acoustic indicator (left), 1 with acoustic indicator (right).



23931



23932

23933

Apply for:

Chenglong Future
Kia Sorento I (Jc)

2001/03-
2002/08-

SR1137.01

Dimension
(mm)

Thickness
(mm)

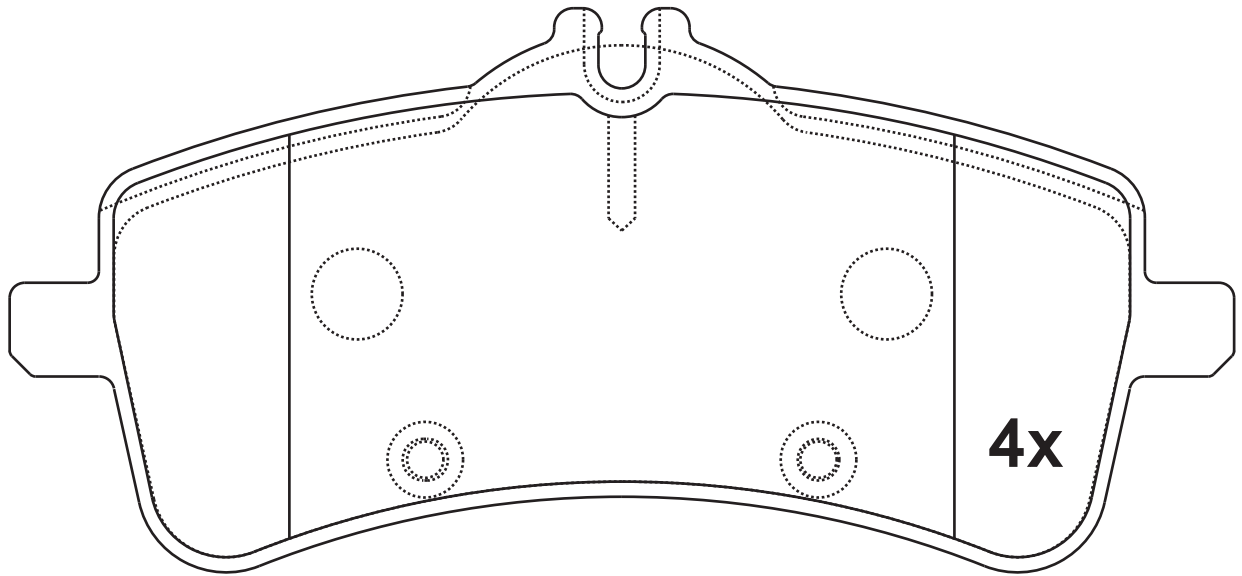


NOTE

4 identical;

162X74.8

18.7



25587

Apply for:

Mercedes Benz S-Class (W222, V222, X222)

2013/05-

SR1137

**Dimension
(mm)**

**Thickness
(mm)**



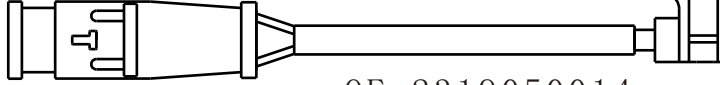
NOTE

**附件包
Accessory bag**



X0230A 总长101MM

X2



OE:2319050014

FJB2X0230A

SR1138.01

Dimension
(mm)

Thickness
(mm)

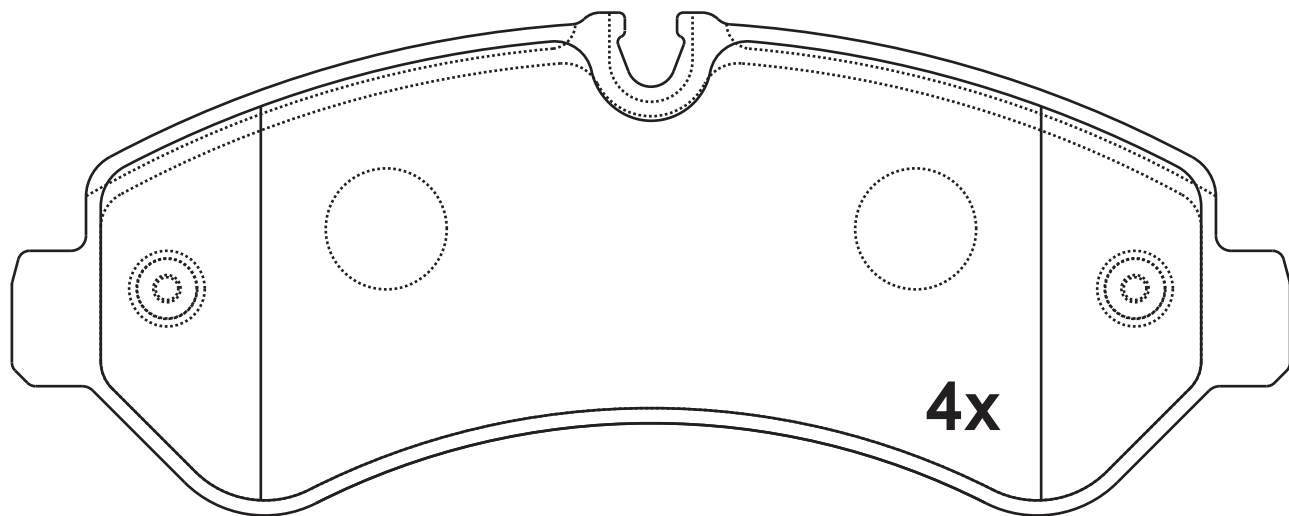


NOTE

4 identical;

169.2X66.6

20.5



22791


Apply for:

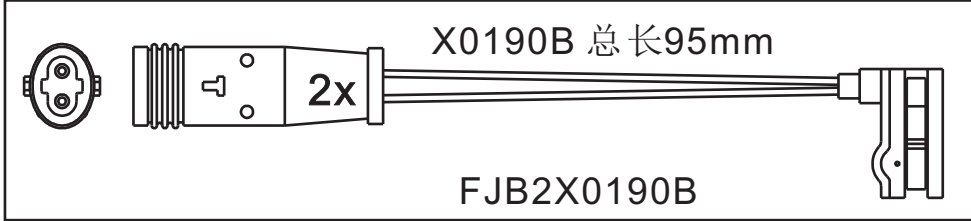
Mercedes Benz Sprinter 5-T Box (907)

2018/02-

Mercedes Benz Sprinter 5-T Platform/Chassis (907)

2018/02-

SR1138	Dimension (mm)	Thickness (mm)		NOTE
				附件包 Accessory bag



SR1139.01

Dimension
(mm)

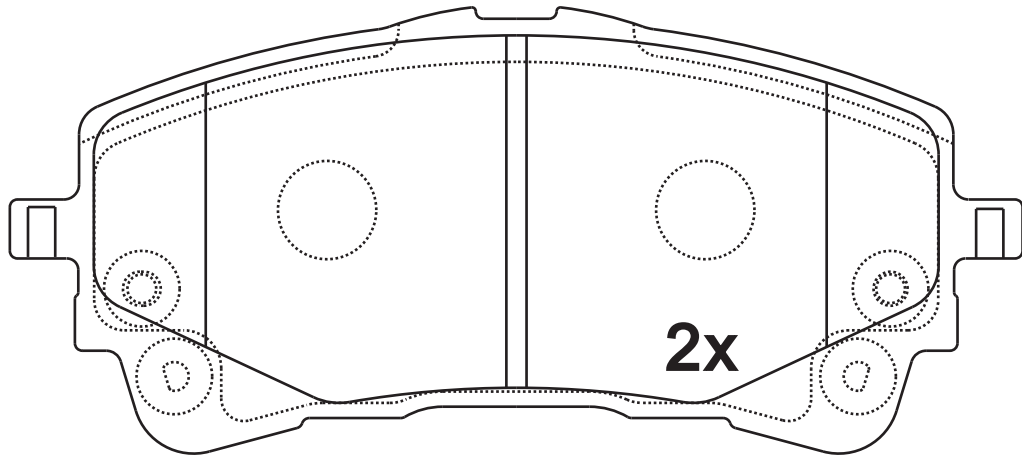
Thickness
(mm)



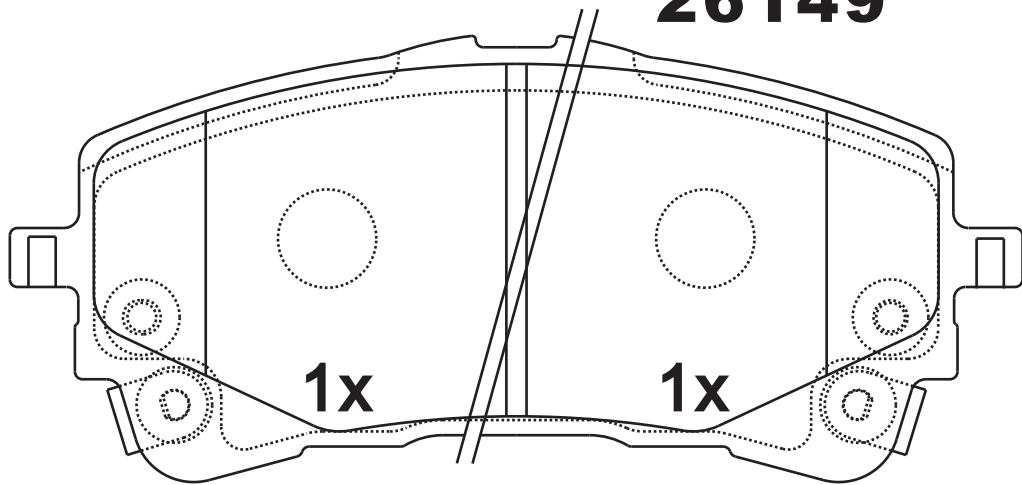
NOTE

134X58.8

18.3



26149



26150

26151



FJB8K0367


Apply for:

Toyota Corolla (_E21_)

2018/10-

Toyota Corolla Estate (_E21_)

2019/02-

SR1139	Dimension (mm)	Thickness (mm)		NOTE



2x

M8X22
L0020



19.1*29.2*9.7
DX0025



19.1*26.8*9.7
DX0026

FJB1139.01



2x

L0044
FJB1139.02

SR1140.01

Dimension
(mm)

Thickness
(mm)

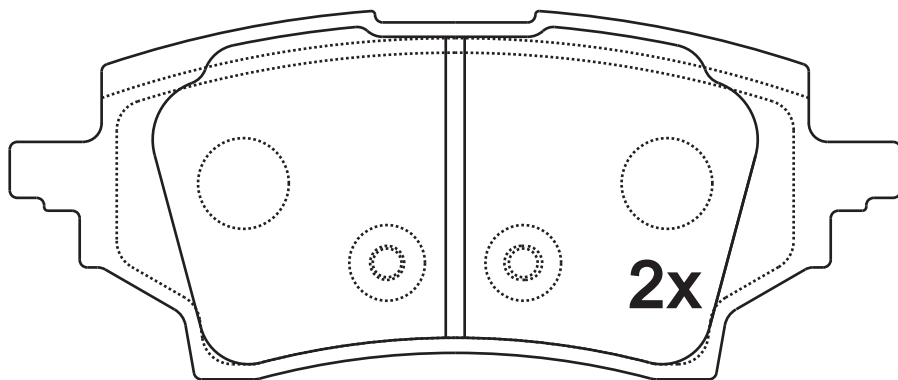


NOTE

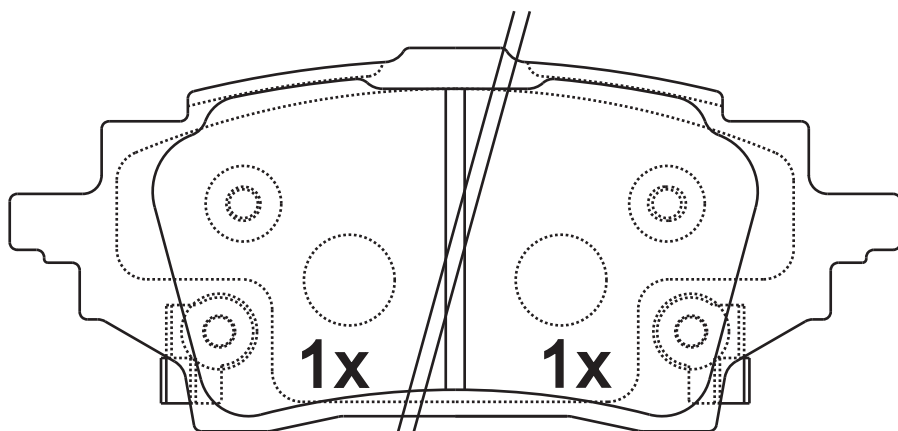
2 identical; 2 identical, 1 with acoustic indicator (left), 1 with acoustic indicator (right).

117.9X48.7/50.7

15.5



26153



26154

26155

Apply for:

Suzuki Swace (Amz_)

Toyota C-Hr (_X1_)

Toyota Corolla Saloon (_E21_)

2020/10-

2016/10-

2019/01-

SR1140.01

Dimension
(mm)

Thickness
(mm)



NOTE

附件包

Accessory bag



SR1141.01

Dimension
(mm)

177.5X70.8

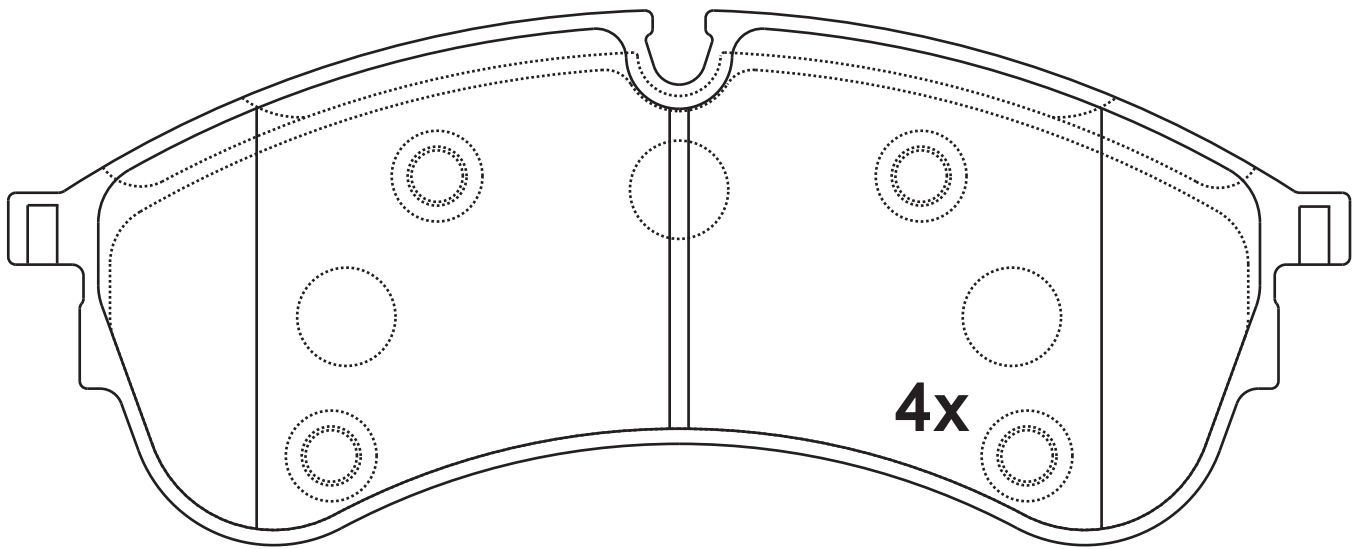
Thickness
(mm)

20.5



NOTE

4 identical;



22178



K0541

Apply for:

Man Tge Box (Uy_)
Man Tge Bus (Uy_)

2017/02-
2017/02-

SR1141.01

Dimension
(mm)

Thickness
(mm)



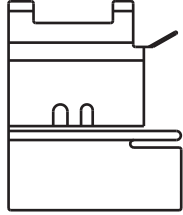
NOTE

附件包

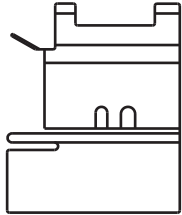
Accessory bag

26*32.3*10.5

4x

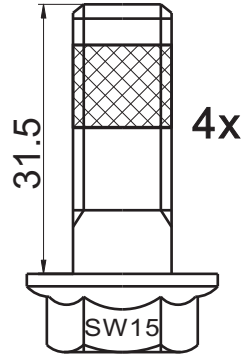


DX0029



4x

DX0028

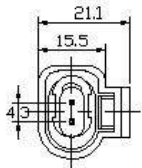


4x

M10X31.5

L0041

FJB1115.01



OE : 65259370000



X0348A总长230mm

SR1142.01

Dimension
(mm)

Thickness
(mm)

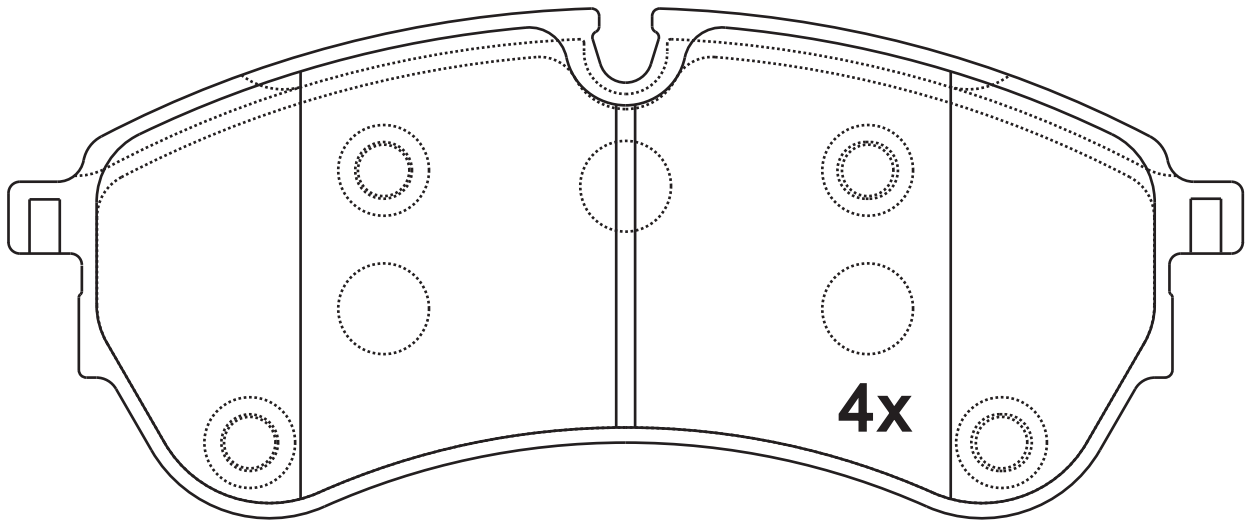


NOTE

4 identical;

163.6X67

20.5



8x

K0541

22147

Apply for:

Man Tge Box (Uy_)

Volkswagen Crafter Box (Sy_, Sx_)

2017/02-

2016/09-

SR1142.01

Dimension
(mm)

Thickness
(mm)



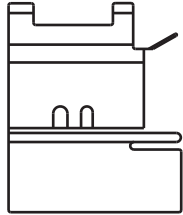
NOTE

附件包

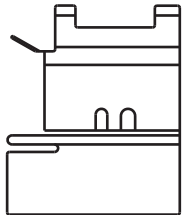
Accessory bag

26*32.3*10.5

4x

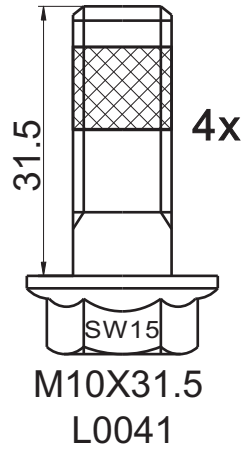


DX0029



4x

DX0028

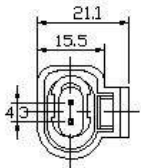


M10X31.5

L0041

FJB1115.01

OE : 65259370000



X0348A总长230mm

SR1143.01

Dimension
(mm)

172.3X65

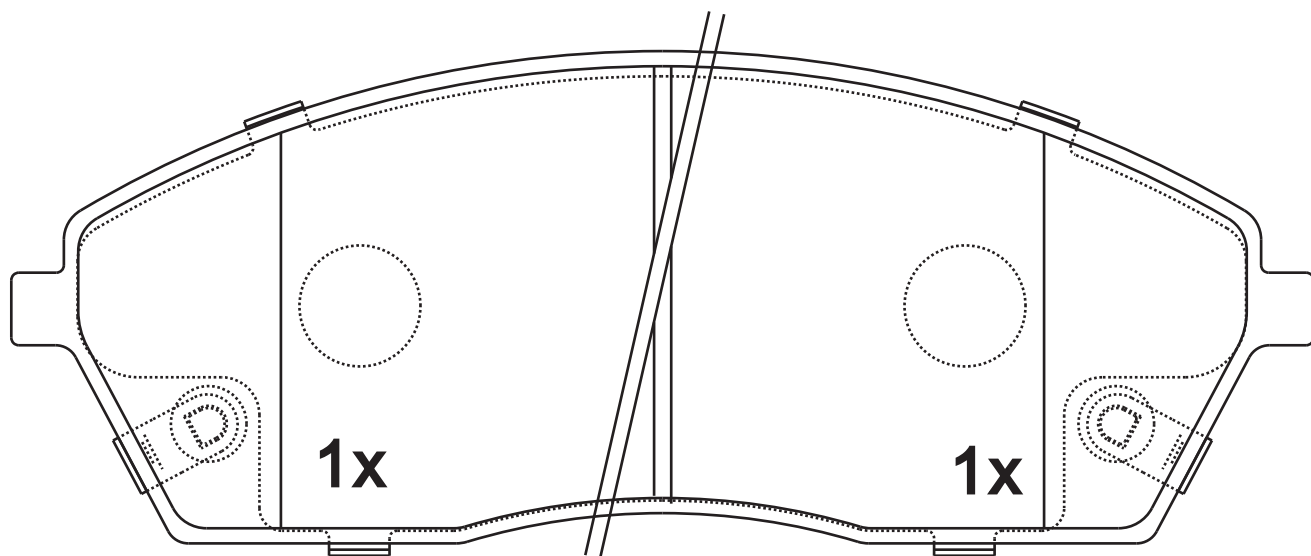
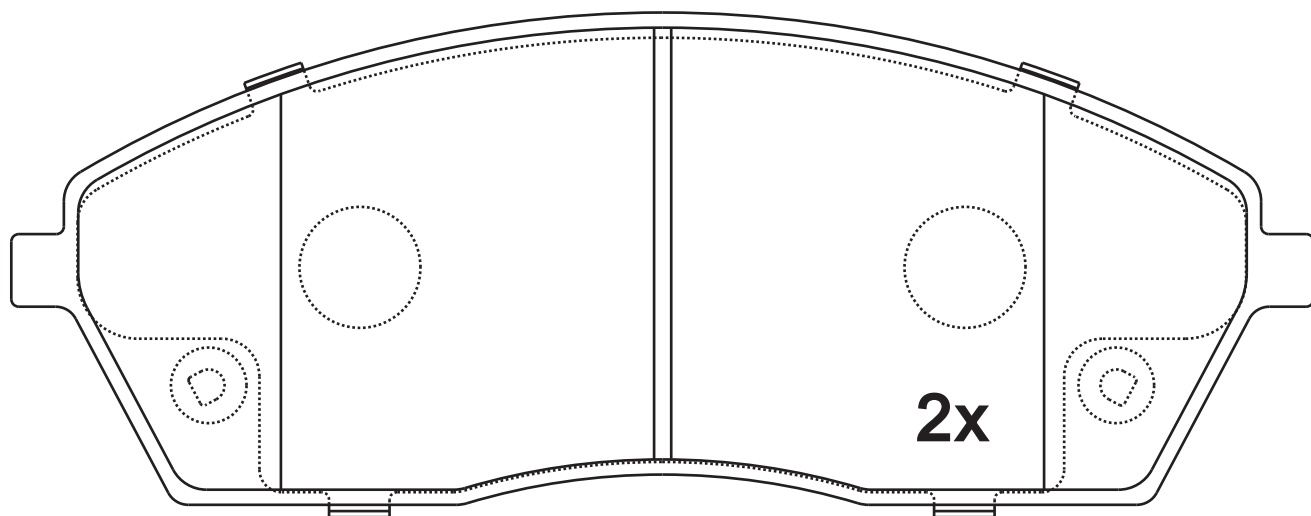
Thickness
(mm)

19.5



NOTE

2 identical; 2 identical, 1 with acoustic indicator (left), 1 with acoustic indicator (right).



GD264

Apply for:

江淮星锐

2018-

SR1144.01

Dimension
(mm)

156.7X59.4

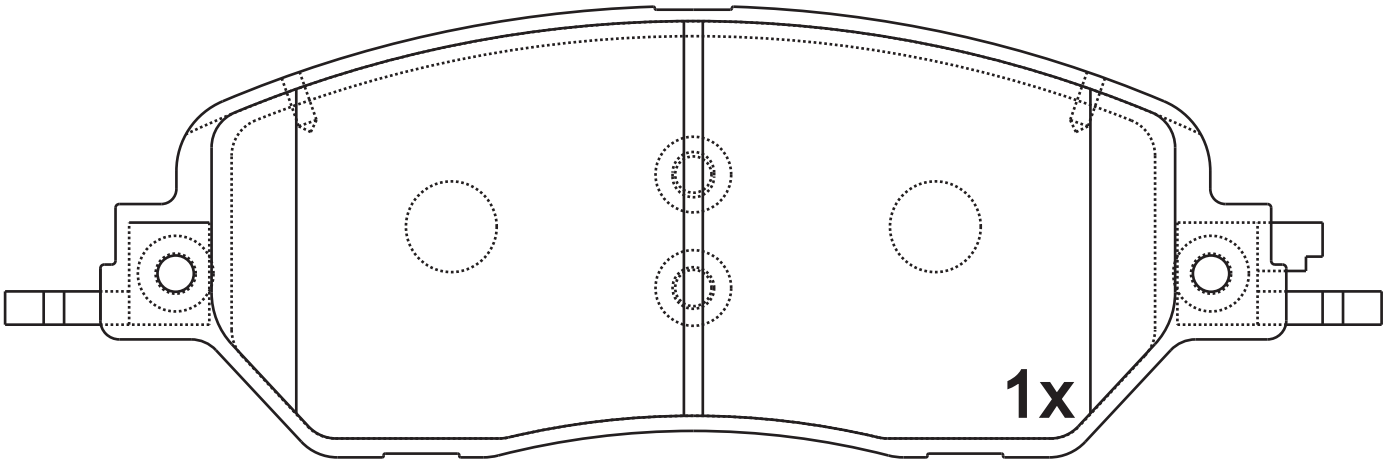
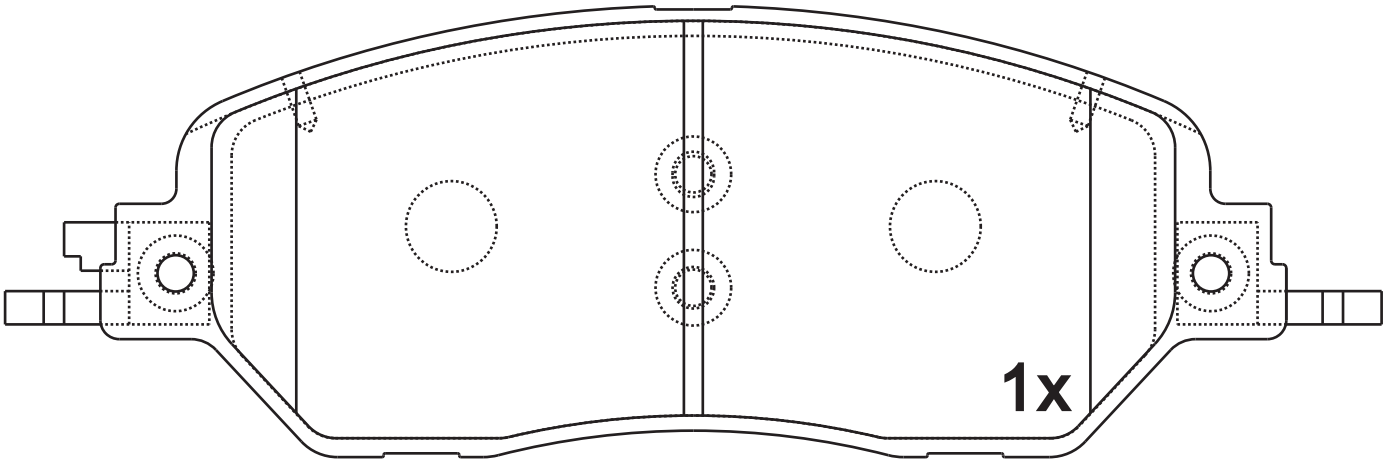
Thickness
(mm)

16.5



NOTE

2 identical; 2 identical,



GD287

Next Page.....

SR1144.01

Dimension
(mm)

156.7X59.4

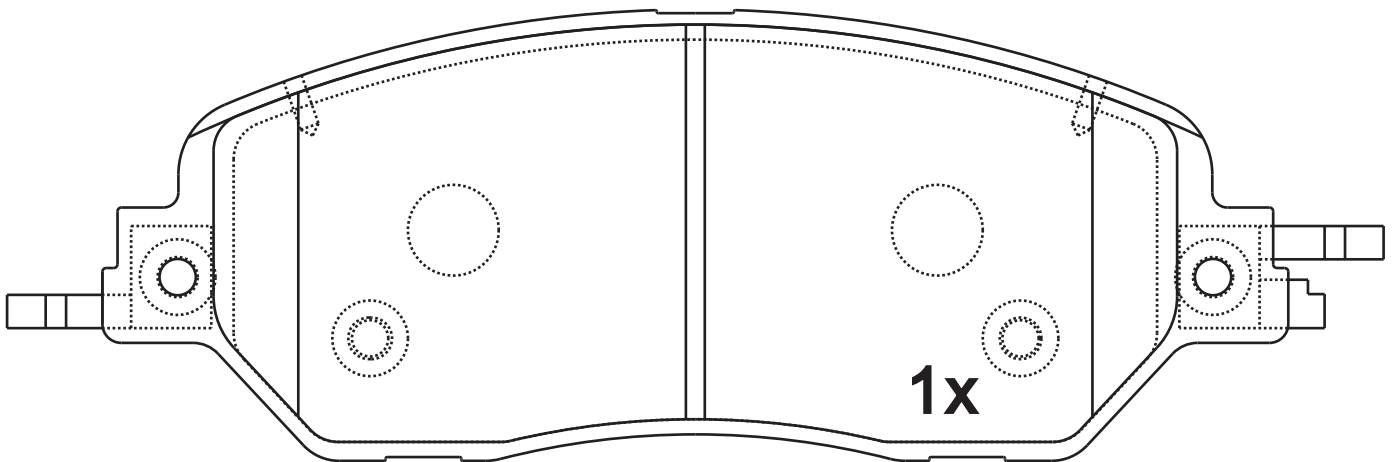
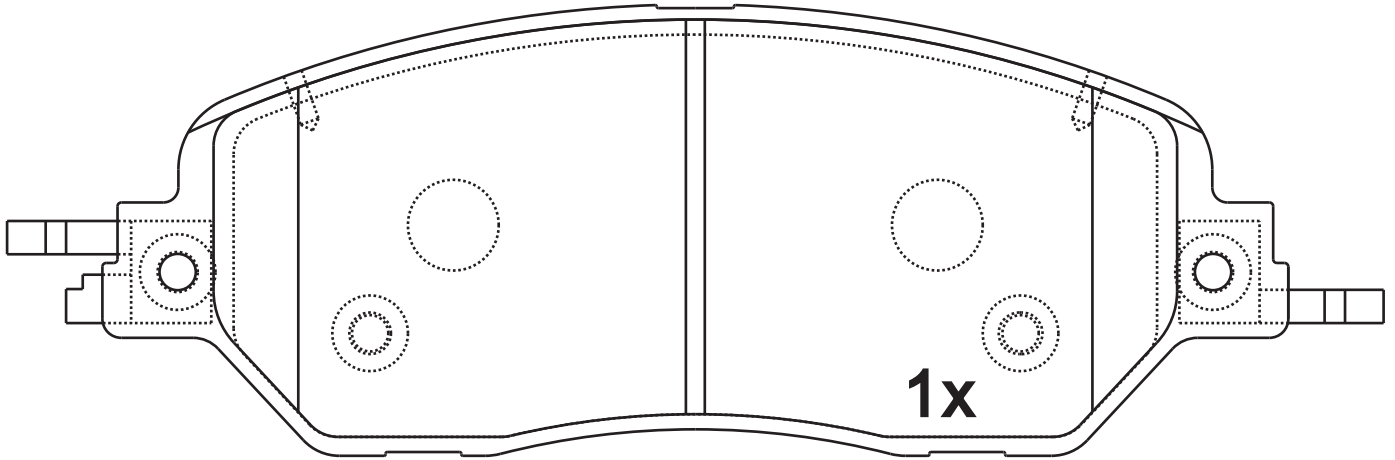
Thickness
(mm)

16.5



NOTE

2 identical;2 identical,



GD287

Apply for:

众泰T600

2018-

SR1145.01

Dimension
(mm)

136X54.4

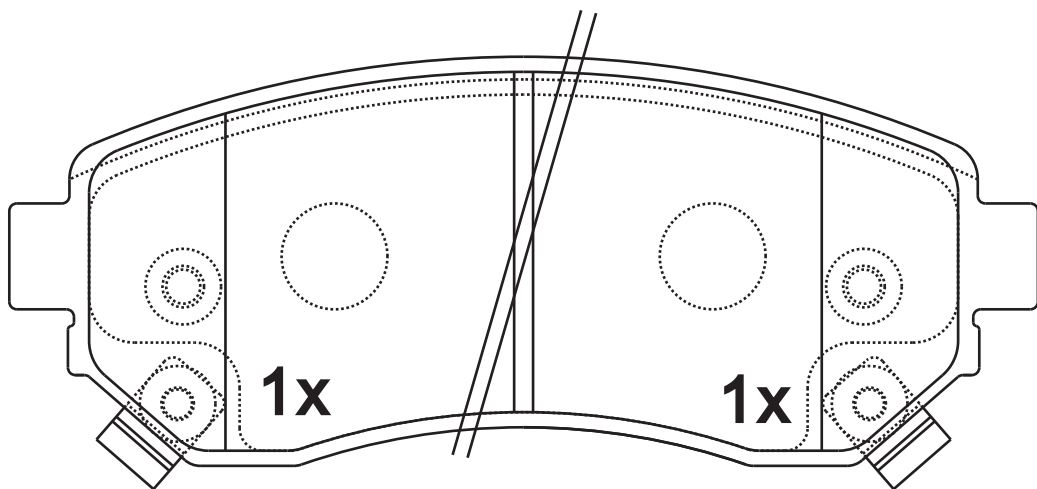
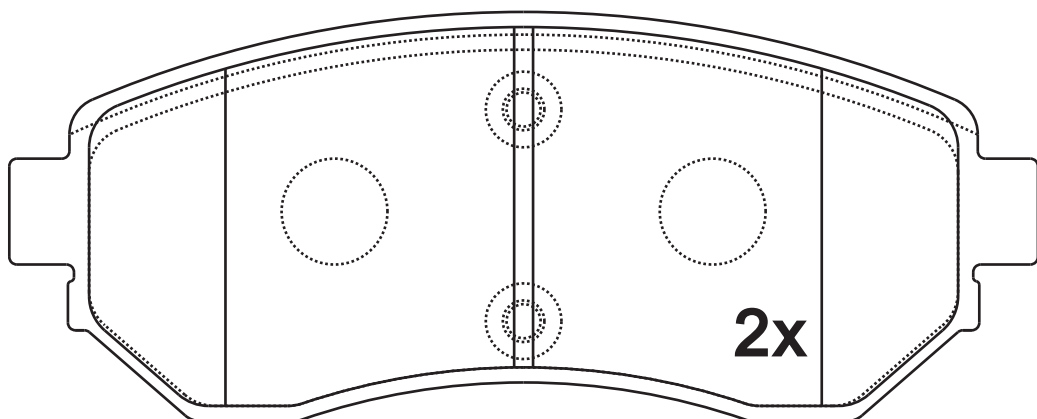
Thickness
(mm)

16.9



NOTE

2 identical; 2 identical, 1 with acoustic indicator (left), 1 with acoustic indicator (right).



GD323

Apply for:

五菱荣光新卡 L1.8

SR1146.01

Dimension
(mm)

175.4X59

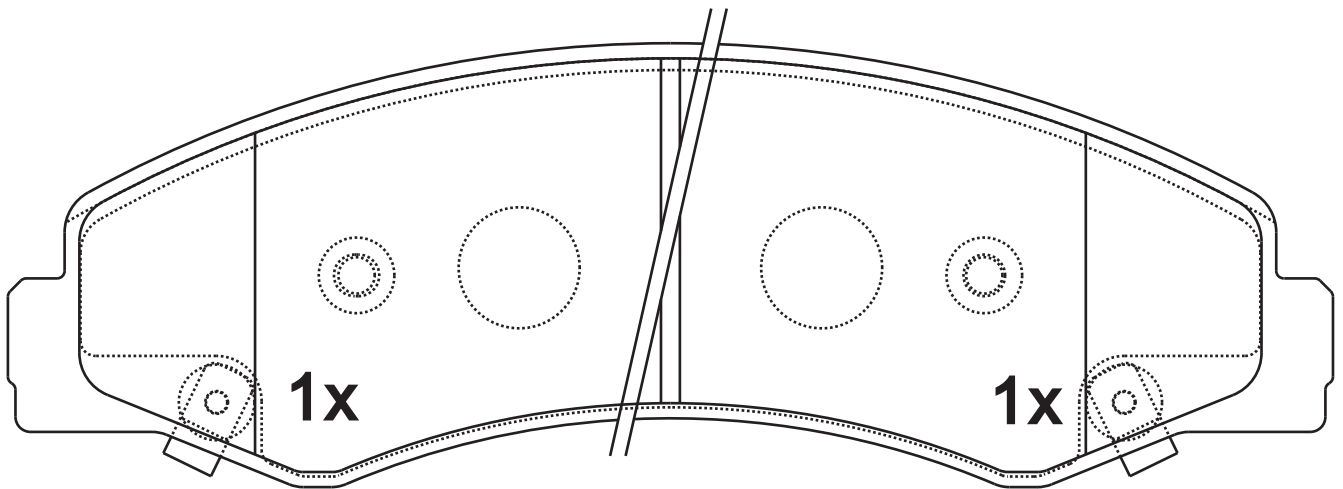
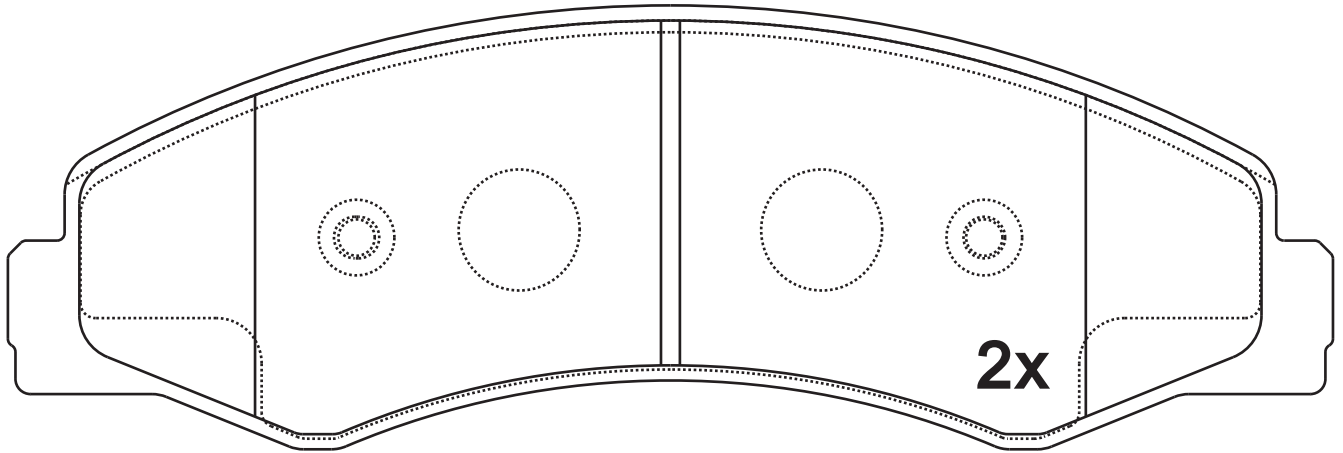
Thickness
(mm)

16.4



NOTE

2 identical; 2 identical, 1 with acoustic indicator (left), 1 with acoustic indicator (right).



GD166

Apply for:

福田 萨瓦纳

2015-

SR1147.01

Dimension
(mm)

155.7X58.9

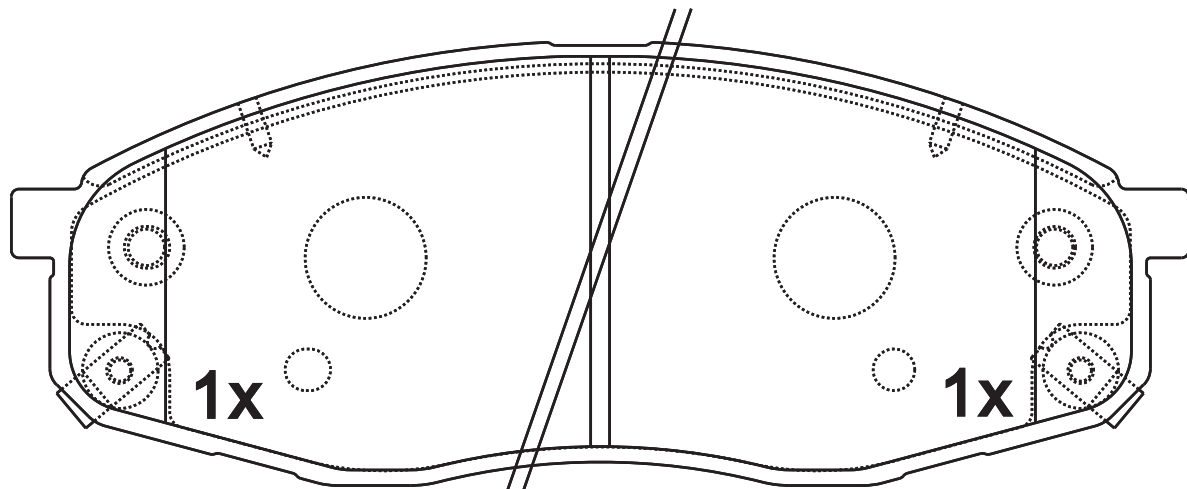
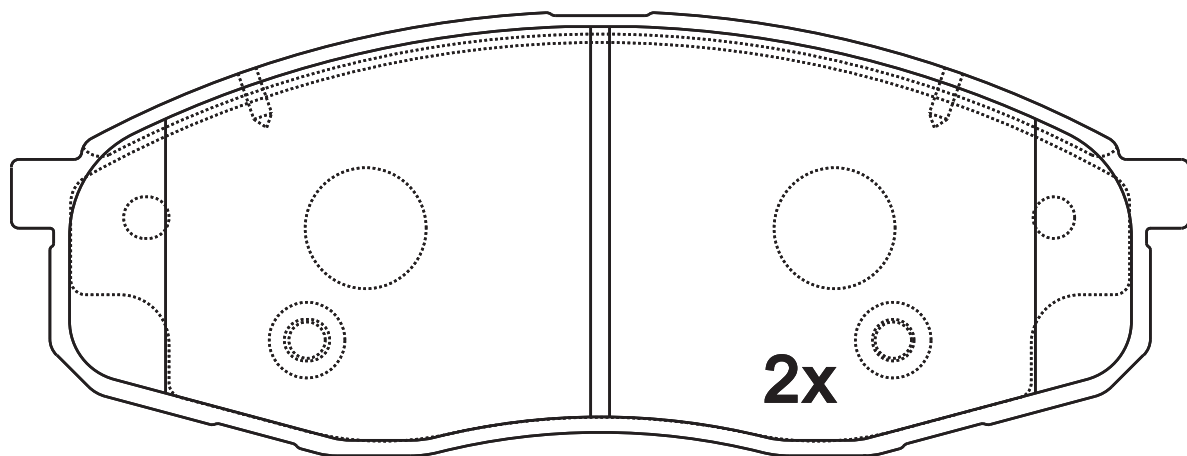
Thickness
(mm)

16.4



NOTE

2 identical; 2 identical, 1 with acoustic indicator (left), 1 with acoustic indicator (right).



GD240

Apply for:

长安 CS55

SR1148.01

Dimension
(mm)

140.6X66.5/72.9

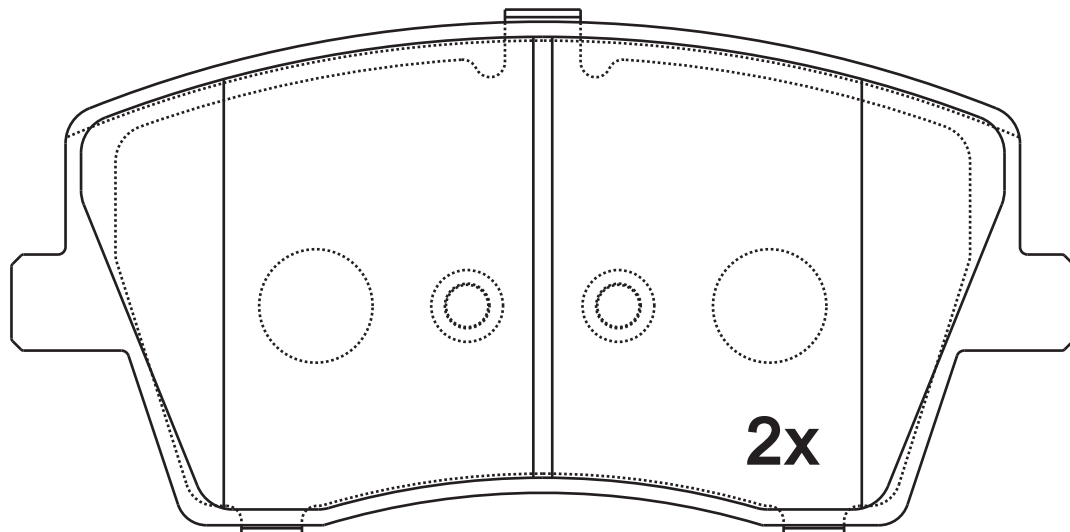
Thickness
(mm)

17

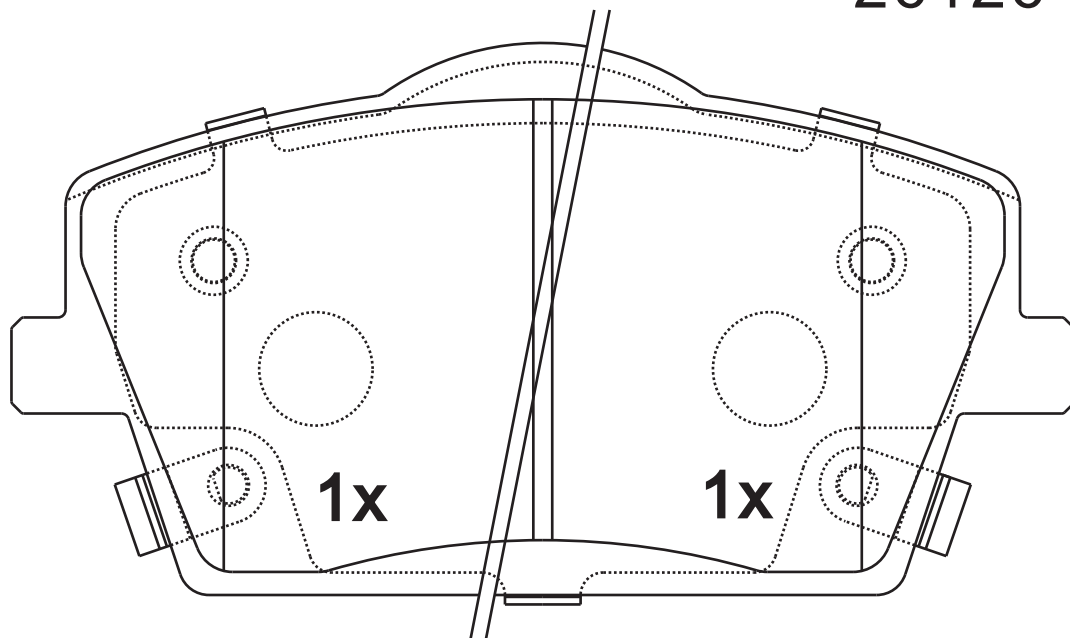


NOTE

2 identical; 2 identical, 1 with acoustic indicator (left), 1 with acoustic indicator (right).



26126



26127

Apply for:

Volvo Xc40 (536)

2017/10-

SR1148

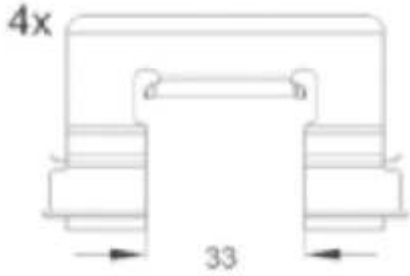
**Dimension
(mm)**

**Thickness
(mm)**



NOTE

**附件包
Accessory bag**



**DX0078
FJB1148.01**

SR1149.01

Dimension
(mm)

144.6X55.2

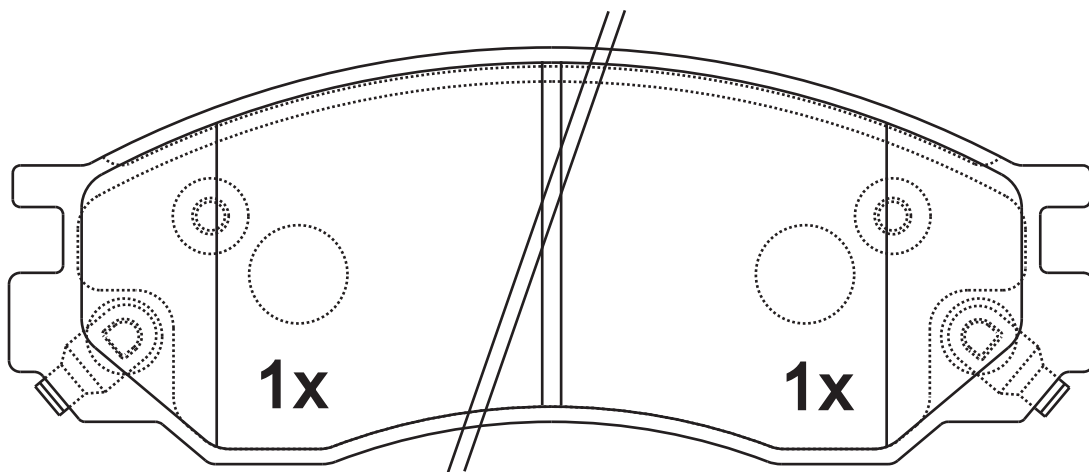
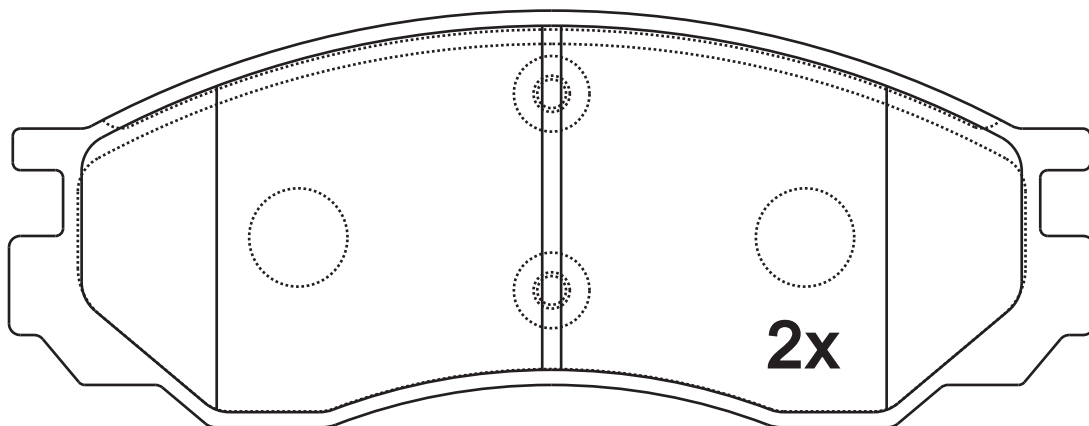
Thickness
(mm)

16.4



NOTE

2 identical; 2 identical, 1 with acoustic indicator (left), 1 with acoustic indicator (right).



GD324

Apply for:

吉利 嘉际

2019-

SR1150.01

Dimension
(mm)

130.3X56.5

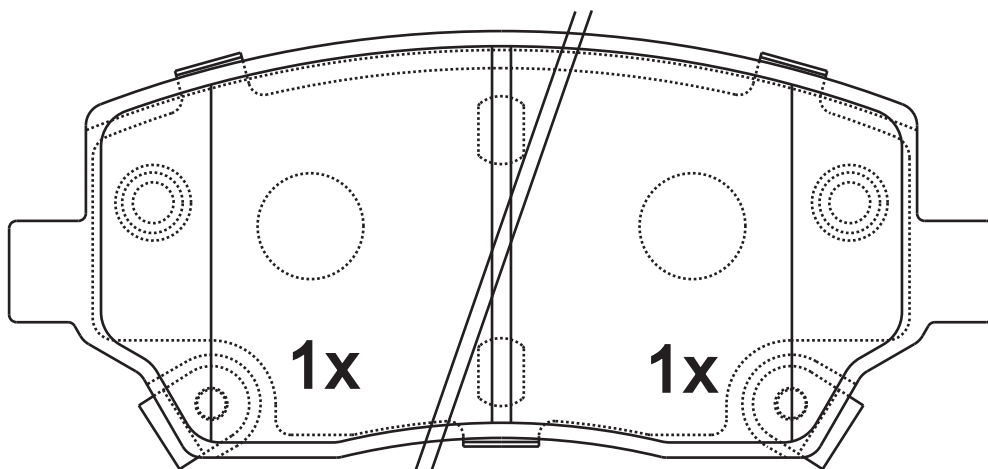
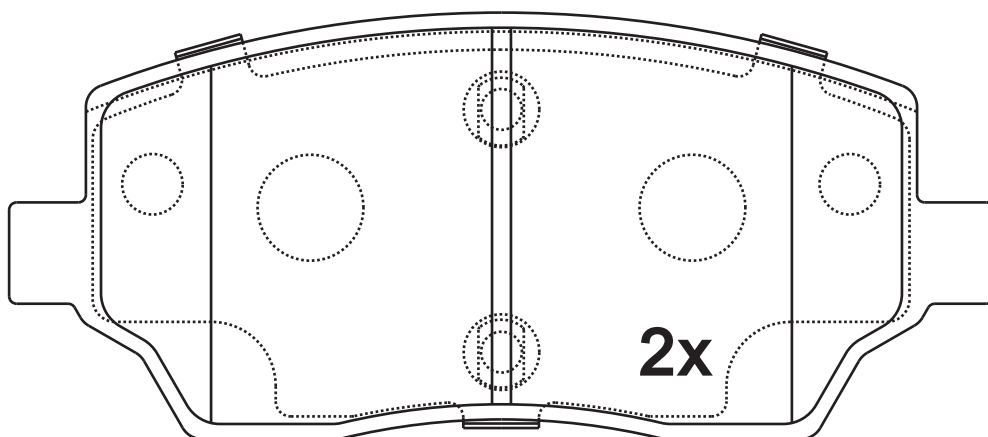
Thickness
(mm)

16.9



NOTE

2 identical; 2 identical, 1 with acoustic indicator (left), 1 with acoustic indicator (right).



GD320

Apply for:

大通 G50 前

2018-

SR1151.01

Dimension
(mm)

105.3X47.9

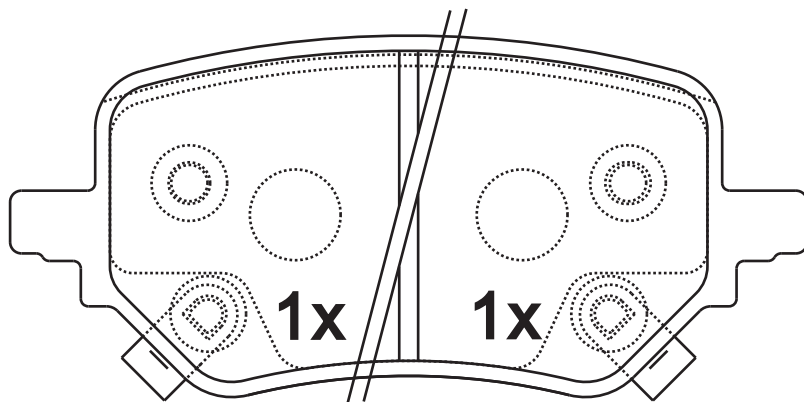
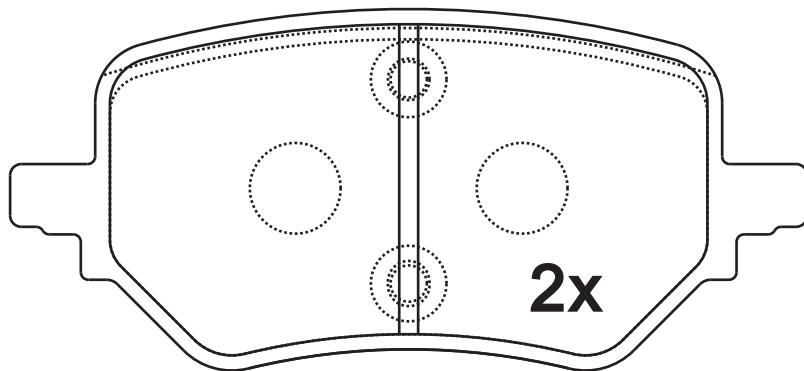
Thickness
(mm)

15



NOTE

2 identical; 2 identical, 1 with acoustic indicator (left), 1 with acoustic indicator (right).



GD321

Apply for:

大通 G50 后

2018-

SR1152.01

Dimension
(mm)

Thickness
(mm)

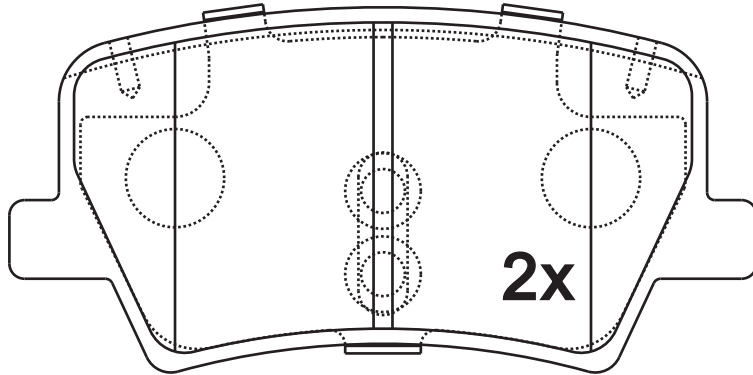


NOTE

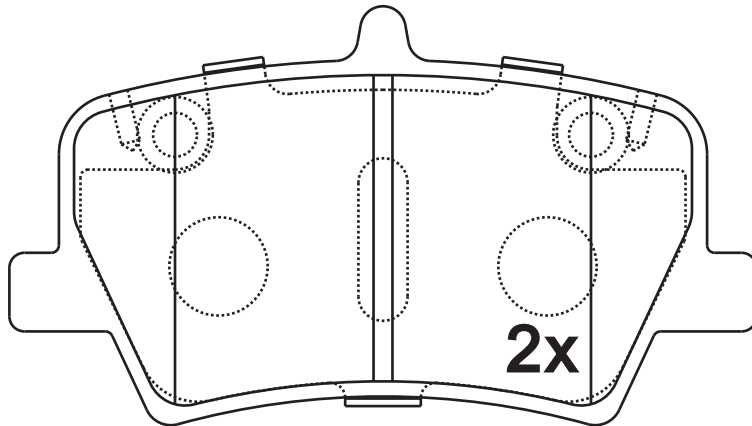
2 identical;2 identical,

98.9X48.3/55.4

16.3



20552



20510

Apply for:

Volvo Xc40 (536)

2017/10-

SR1152.02

Dimension
(mm)

Thickness
(mm)

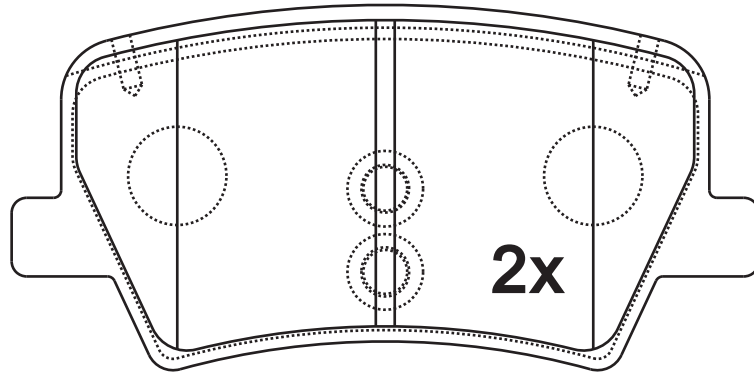


NOTE

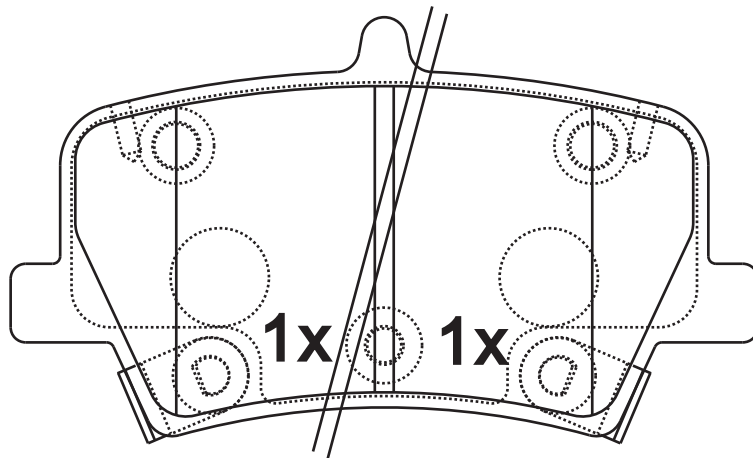
2 identical; 2 identical, 1 with acoustic indicator (left), 1 with acoustic indicator (right).

98.9X48.3/55.4

17.2



20552



Apply for:

SR1152

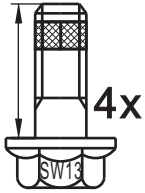
**Dimension
(mm)**

**Thickness
(mm)**



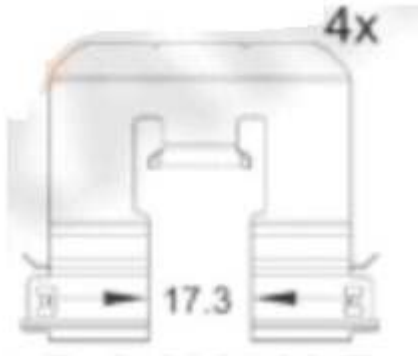
NOTE

**附件包
Accessory bag**

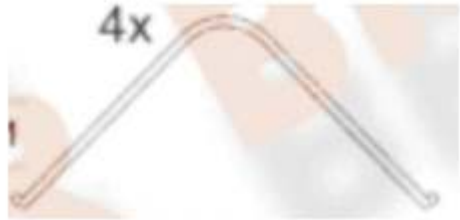


M8×1

L0015



Dx0083



T0015

FJB1152.01

SR1153.01

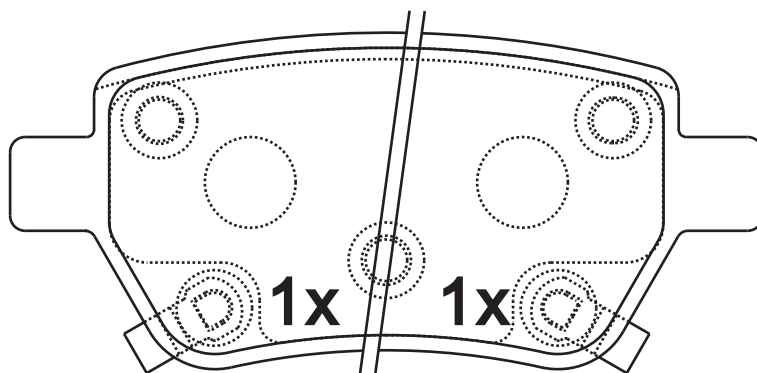
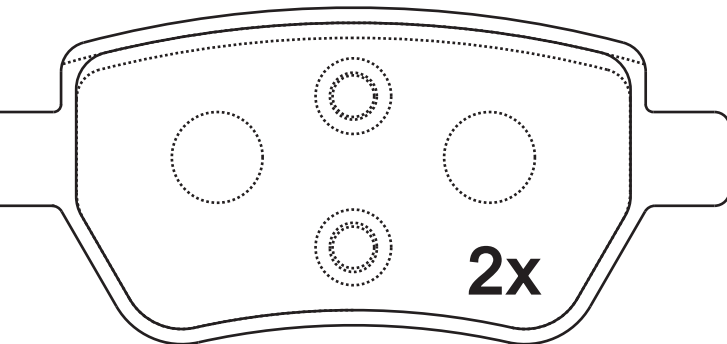
Dimension
(mm)

Thickness
(mm)



NOTE

2 identical; 2 identical, 1 with acoustic indicator (left), 1 with acoustic indicator (right).



GD236

Apply for:

中华H3

SR1154.01

Dimension
(mm)

117.4X48.5/51.3

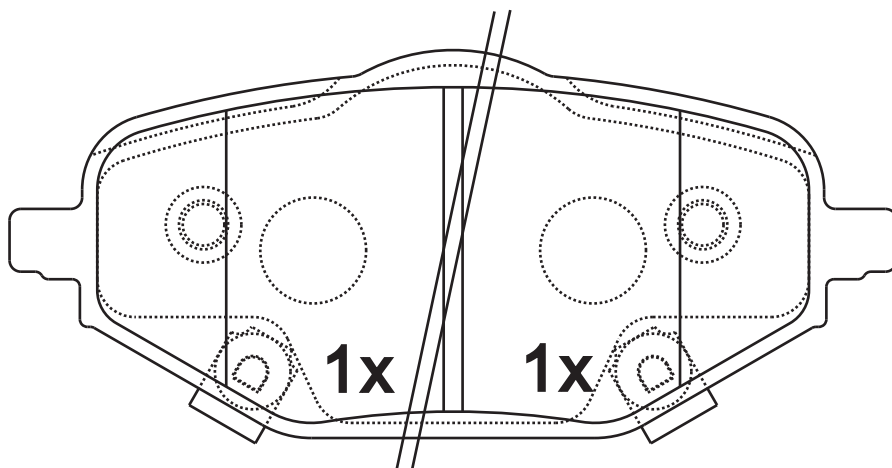
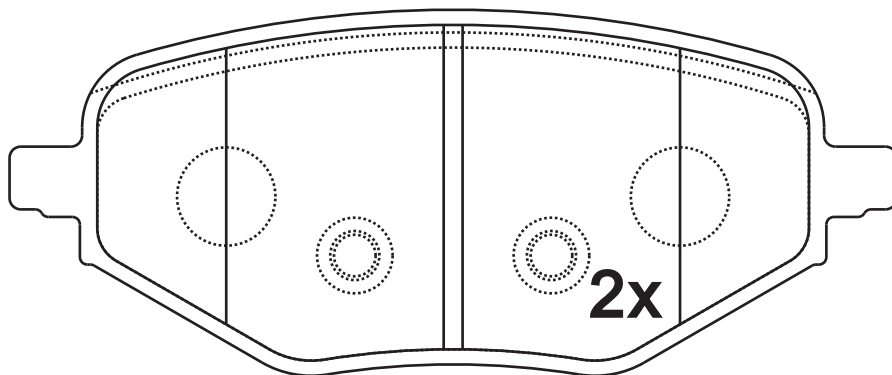
Thickness
(mm)

17.3



NOTE

2 identical;2 identical,1 with acoustic indicator (left),1 with acoustic indicator(right).



ZDP-884

Apply for:

欧尚科塞

2018-

SR1155.01

Dimension
(mm)

155.2X64.5

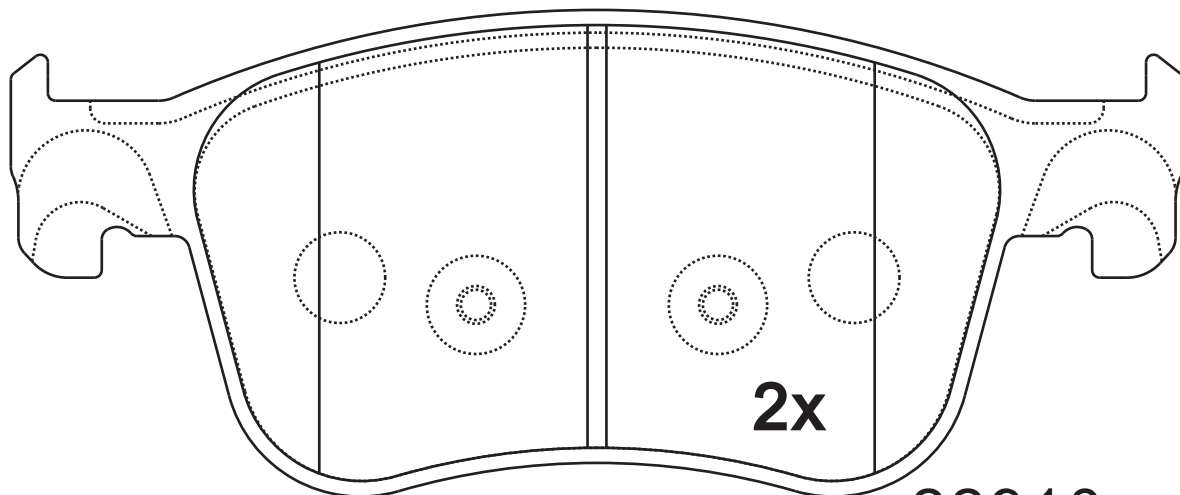
Thickness
(mm)

15.8

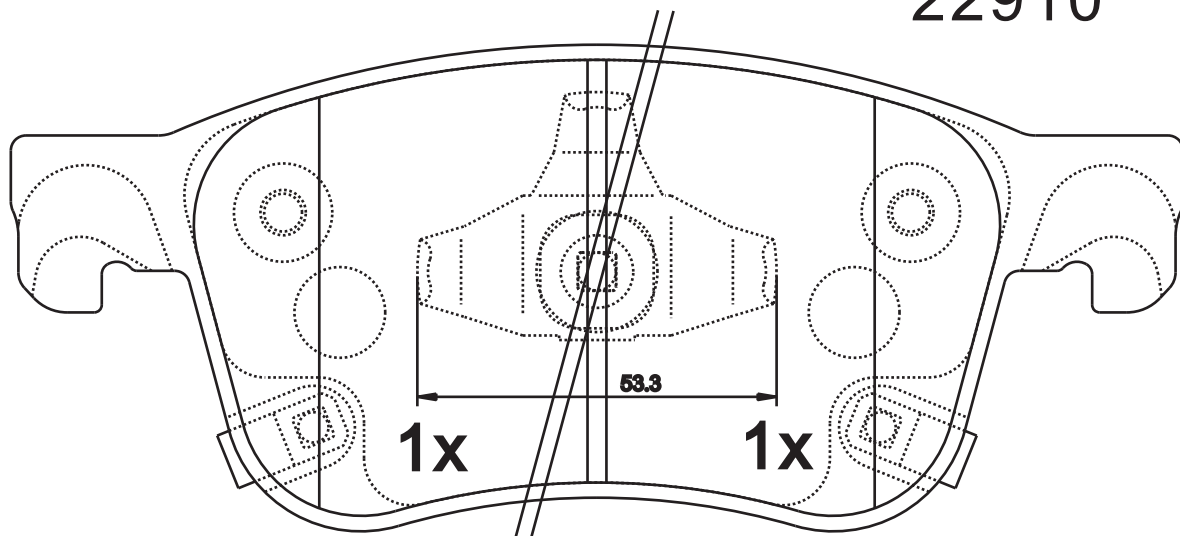


NOTE

2 identical; 2 identical, 1 with acoustic indicator (left), 1 with acoustic indicator (right).



22910



22911

22912

Apply for:

本田:十代雅阁

2019-

SR1156.01

Dimension
(mm)

116.8X48.9

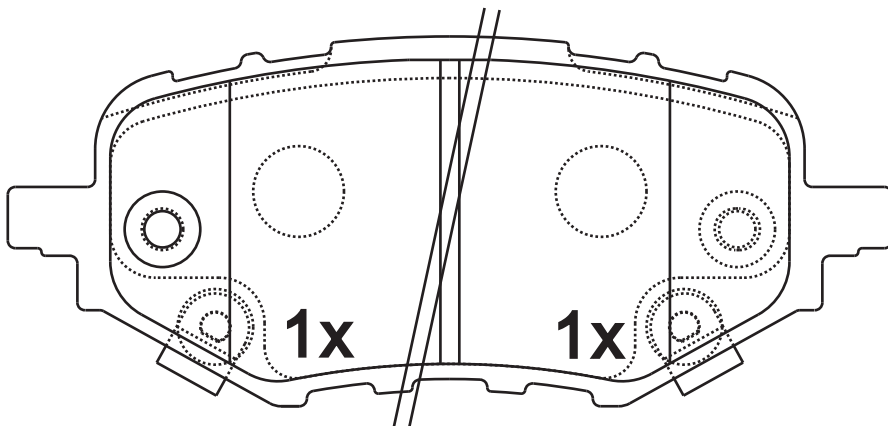
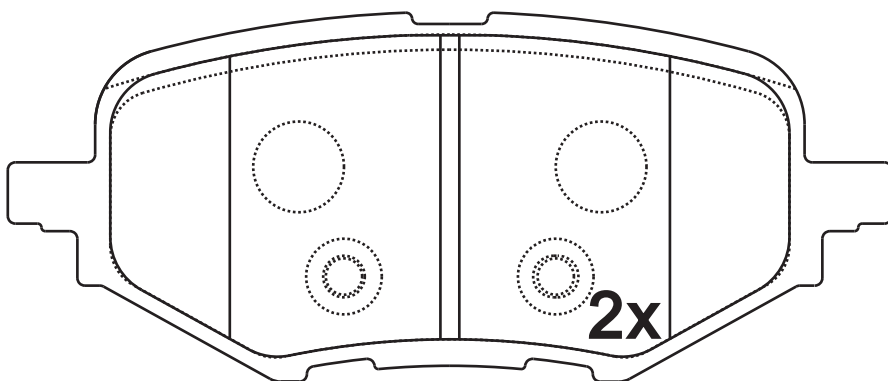
Thickness
(mm)

16.3



NOTE

2 identical; 2 identical, 1 with acoustic indicator (left), 1 with acoustic indicator (right).



D2116

Apply for:
Honda Clarity Electric

2017-

SR1157.01

Dimension
(mm)

Thickness
(mm)

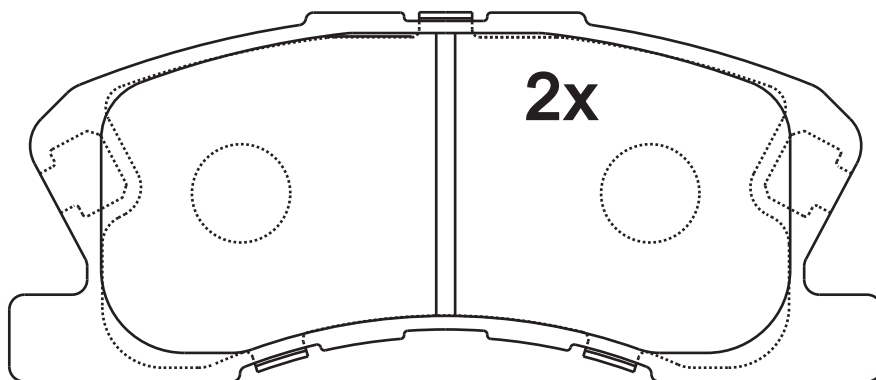


NOTE

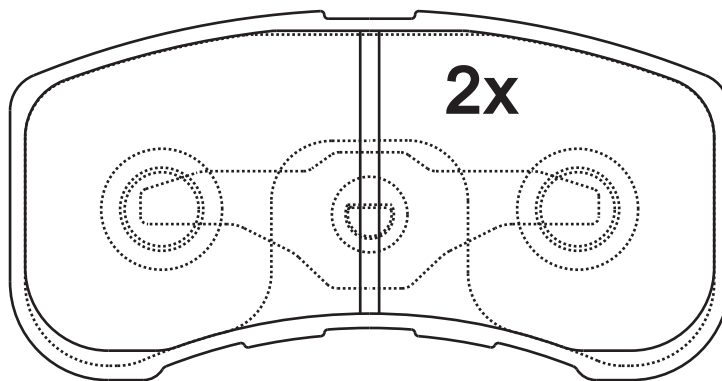
2 identical;2 identical,

115.5/95.1X49.3

15.5



23497



23498



B0295

Apply for:

Daihatsu Move (L9_)
Hualì Terios

1997/04-2002/09
2001/01-

SR1158.01

Dimension
(mm)

156.5X64
155.3X59.1

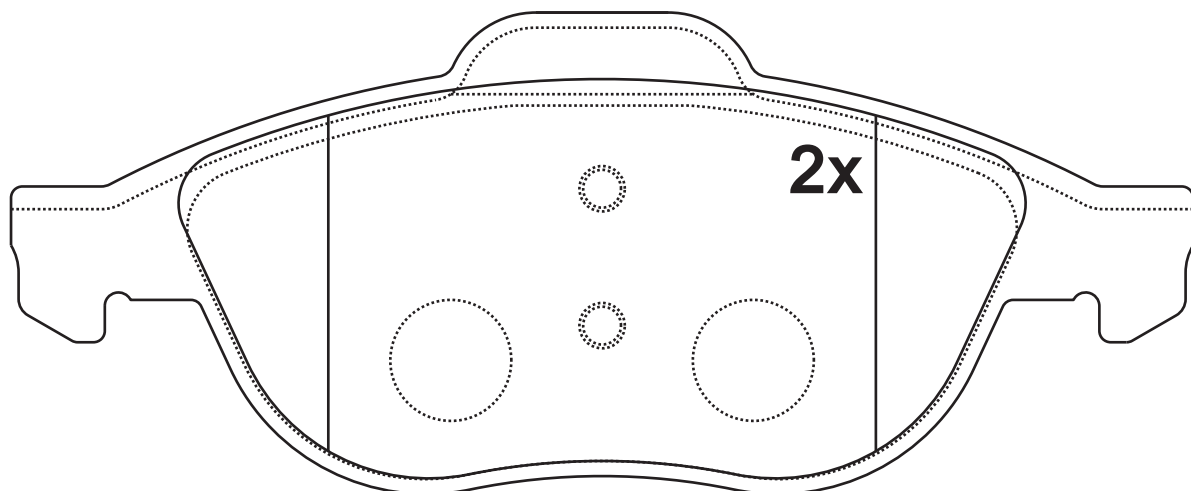
Thickness
(mm)

19.3

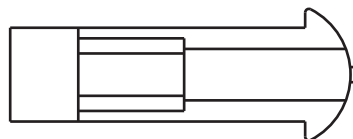


NOTE

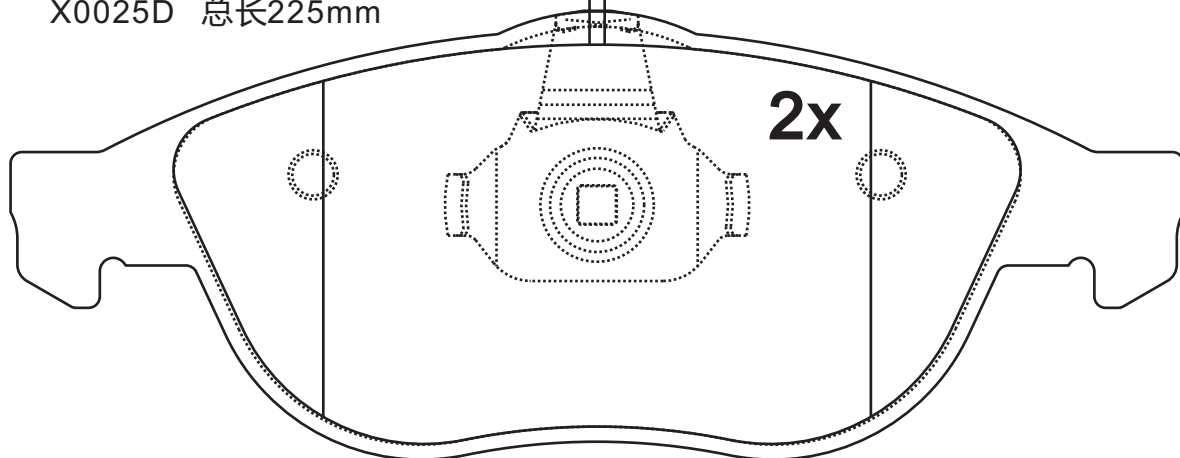
2 identical;2 identical,



23140



X0025D 总长225mm



23141

Apply for:

Lancia Lybra (839_)

1999/07-2005/10

SR1158.02

Dimension
(mm)

156.5X64
155.3X59.1

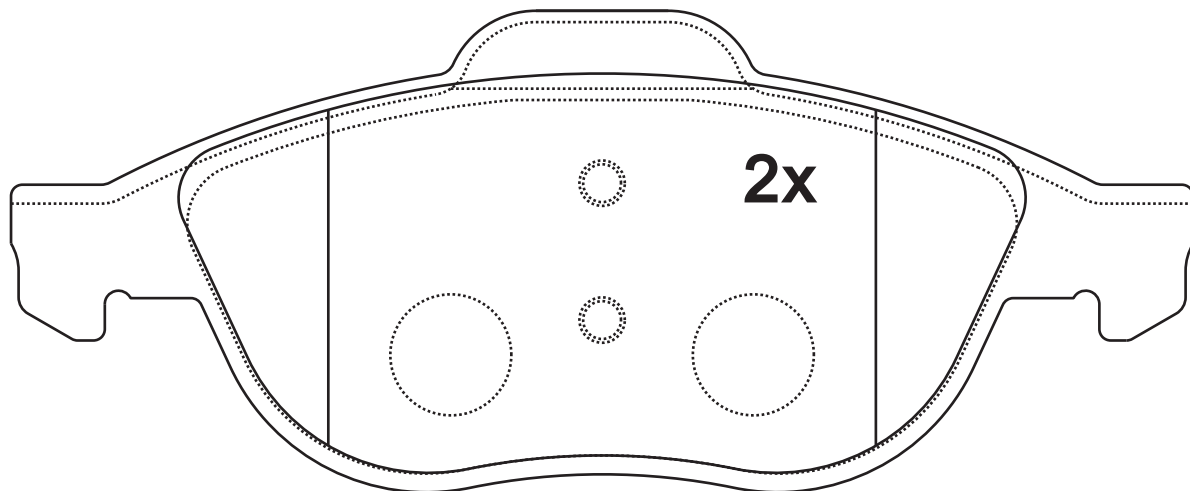
Thickness
(mm)

19.3

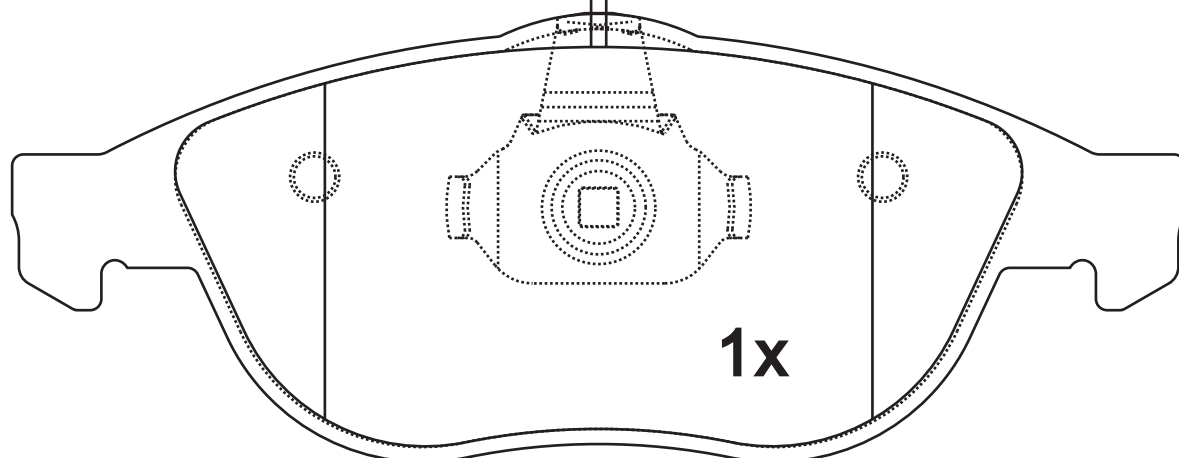
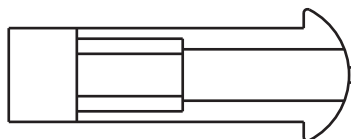


NOTE

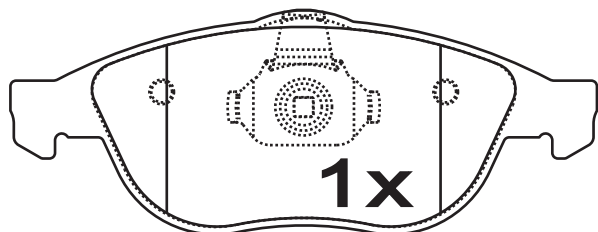
2 identical; 2 identical with spring, 1 with warn indicator.



23140



23141



24095

Apply for:

Alfa Romeo 147 (937_)
Alfa Romeo 156 Sportwagon (932_)
Lancia Lybra (839_)

2000/10-2010/12
1997/02-2006/05
1999/07-2005/10

SR1159.01

Dimension
(mm)

105.6X48.6

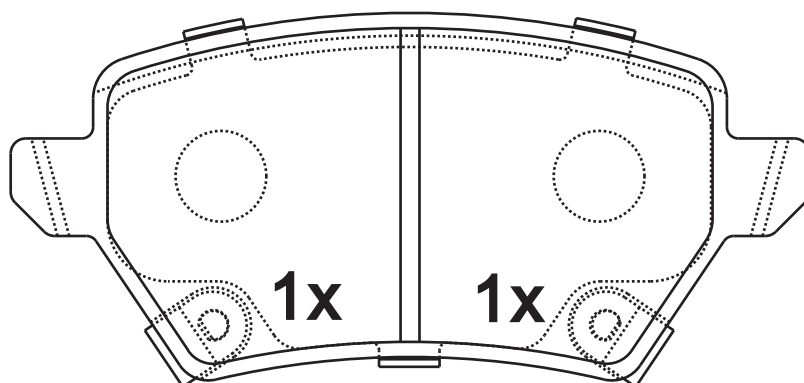
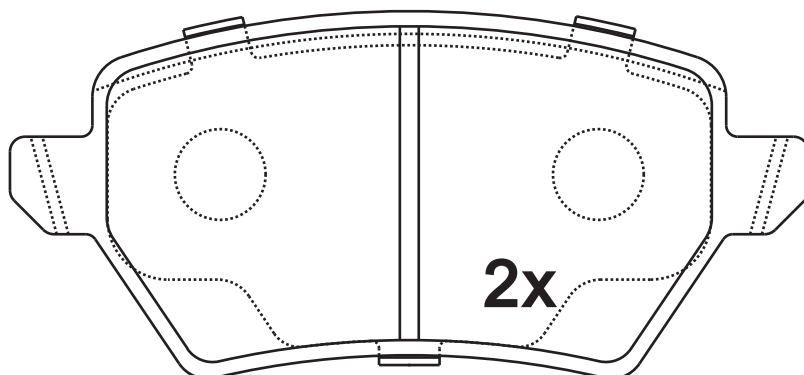
Thickness
(mm)

15.3





NOTE

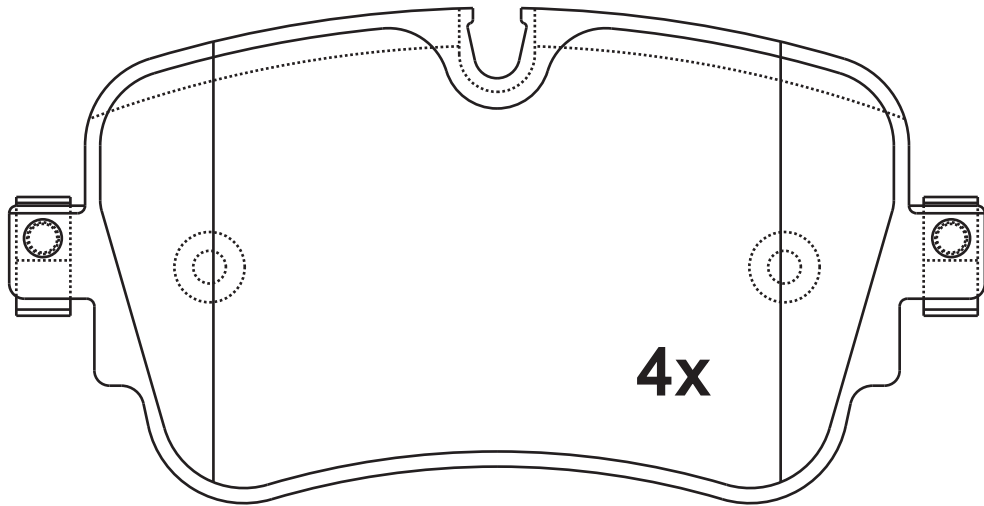
2 identical; 2 identical, 1 with acoustic indicator (left), 1 with acoustic indicator (right).



GDB9138

Apply for:
新款哈弗H6后片

SR1160.01	Dimension (mm)	Thickness (mm)		NOTE 4 identical;
	129X65.3	16.3		



D1895

Apply for:
AUDI Q7

2017-

SR1160

**Dimension
(mm)**

**Thickness
(mm)**



NOTE

附件包

Accessory bag

2x

4M0615121R

X0271A总长400mm

FJB2X0271A



SR1161.01

Dimension
(mm)

114.5X47.6

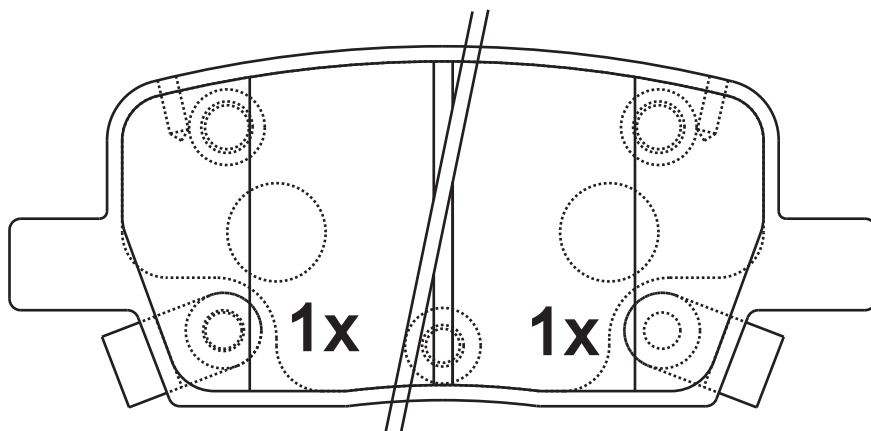
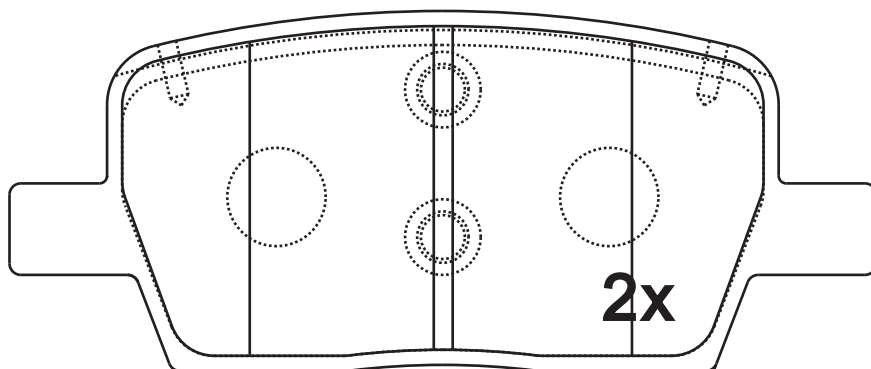
Thickness
(mm)

16.6



NOTE

2 identical;2 identical,1 with acoustic indicator (left),1 with acoustic indicator(right).



D1914/D1877

Apply for:
Cadillac Ct6 2016-

SR1162.01

Dimension
(mm)

146.6X59.5

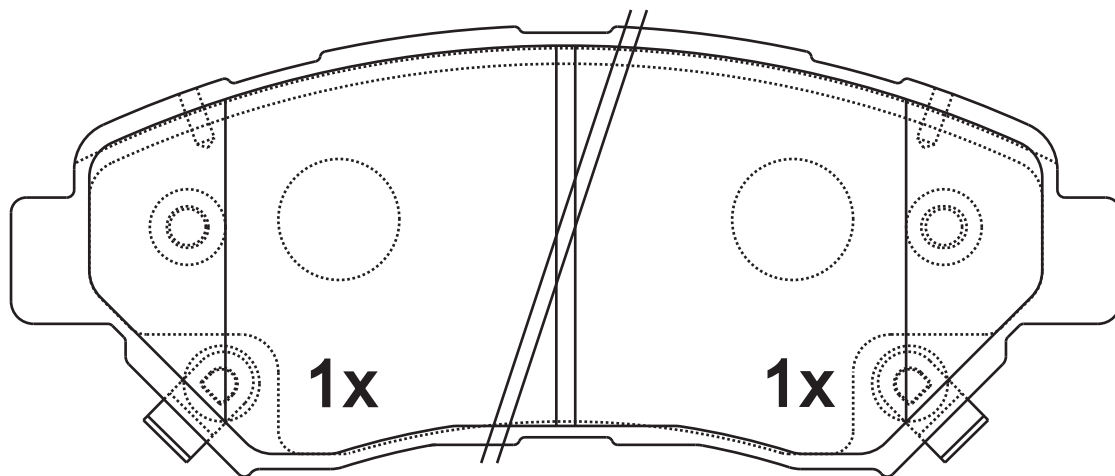
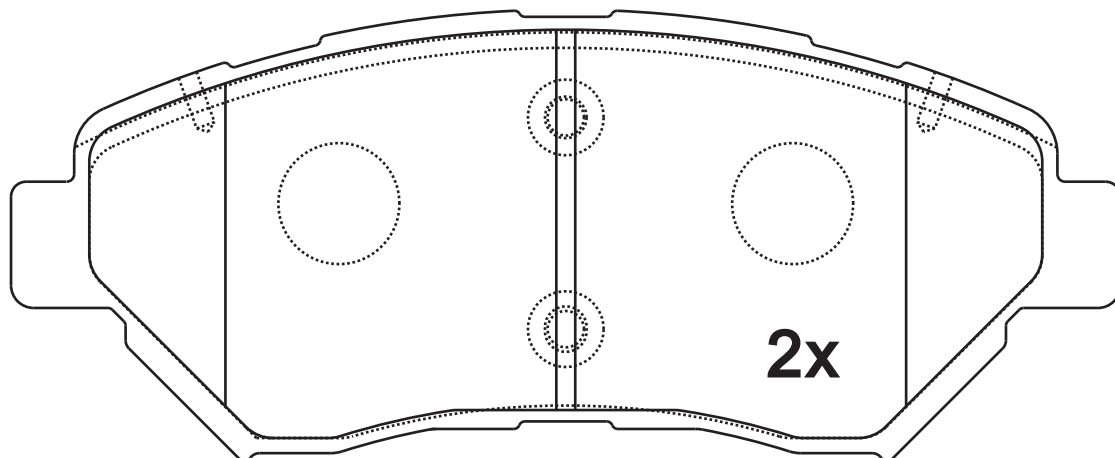
Thickness
(mm)

17.



NOTE

2 identical;2 identical,1 with acoustic indicator (left),1 with acoustic indicator(right).



GD317

Apply for:

江铃 域虎3 2018-

SR1163.01

Dimension
(mm)

Thickness
(mm)

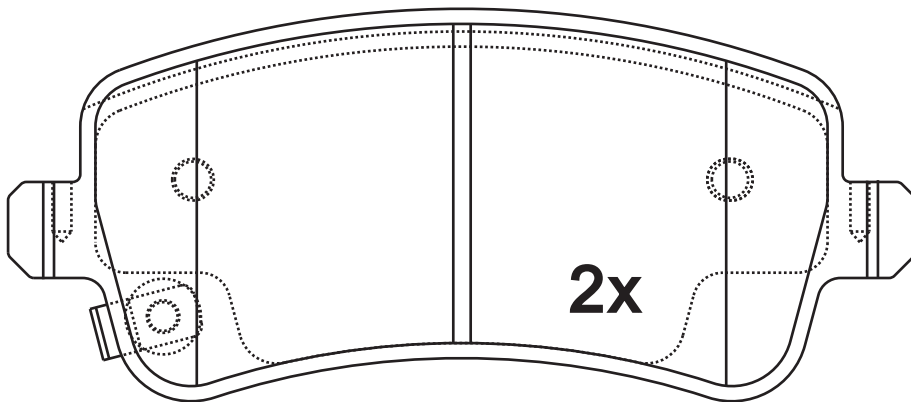
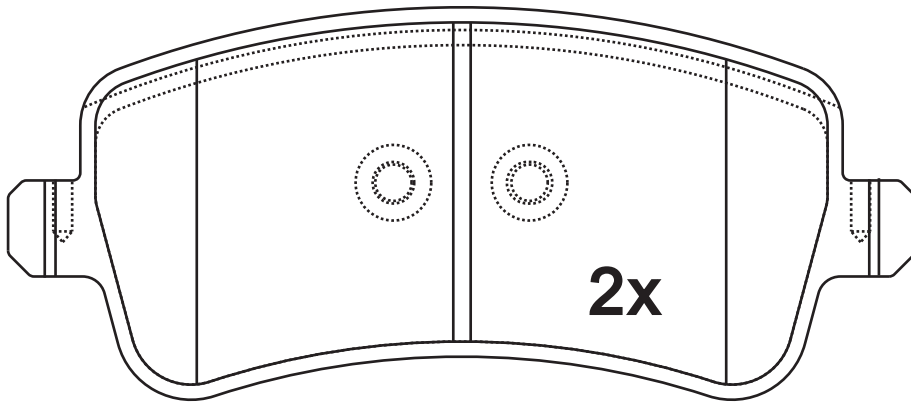


NOTE

2 identical; 2 identical,

119.9X51.9

15.8



GD265

Apply for:
吉利EV300

2017-

SR1164.01

Dimension
(mm)

Thickness
(mm)

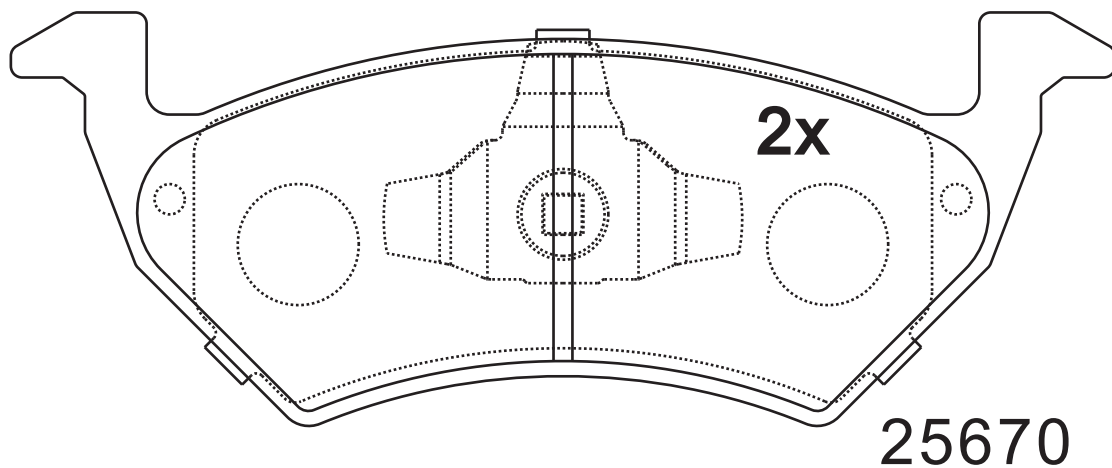
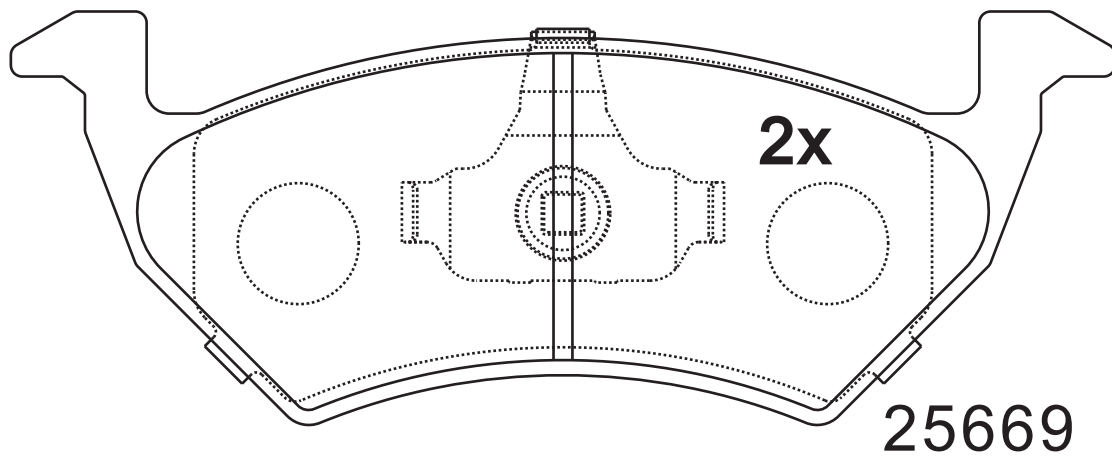


NOTE

2 identical;2 identical,

146X53.9

17



Apply for:

马自达 TRIBUTE (EP) 2.3 AWD 2004-2008
马自达 TRIBUTE (EP) 3.0 V6 AWD 2004-2008

SR1165.01

Dimension
(mm)

122.9X54.4

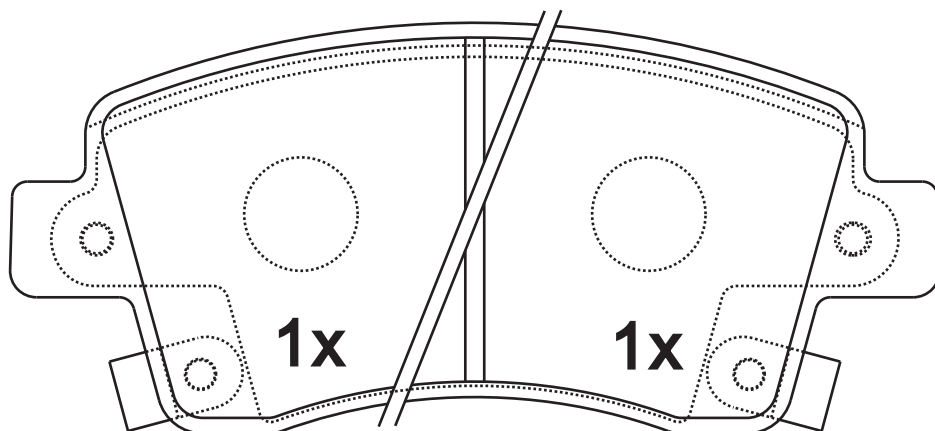
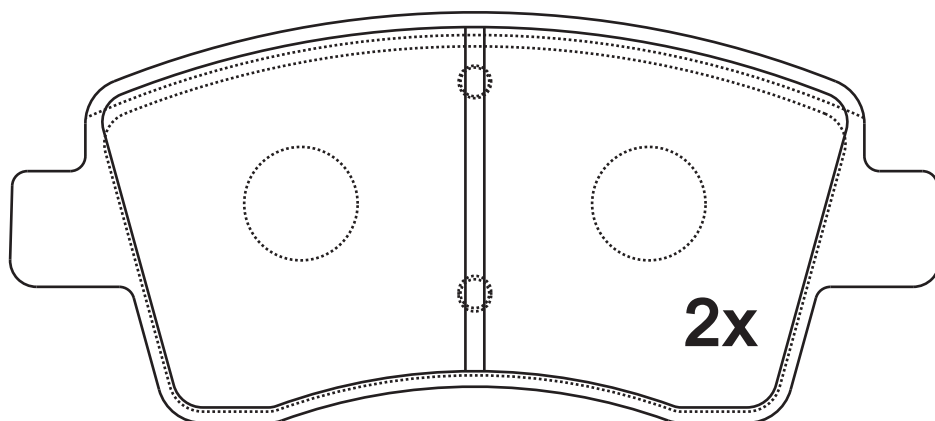
Thickness
(mm)

15.3



NOTE

2 identical;2 identical,1 with acoustic indicator (left),1 with acoustic indicator(right).



OE:044650D100

Apply for:

- 丰田 ETIOS (_K1_) 1.3 Flex (NGK11_) 2012-2016
- 丰田 ETIOS (_K1_) 1.5 Flex 2016-
- 丰田 ETIOS (_K1_) 1.5 Flex (NGK12_) 2012-

SR1166.01

Dimension
(mm)

117.9X61.1

Thickness
(mm)

14.5

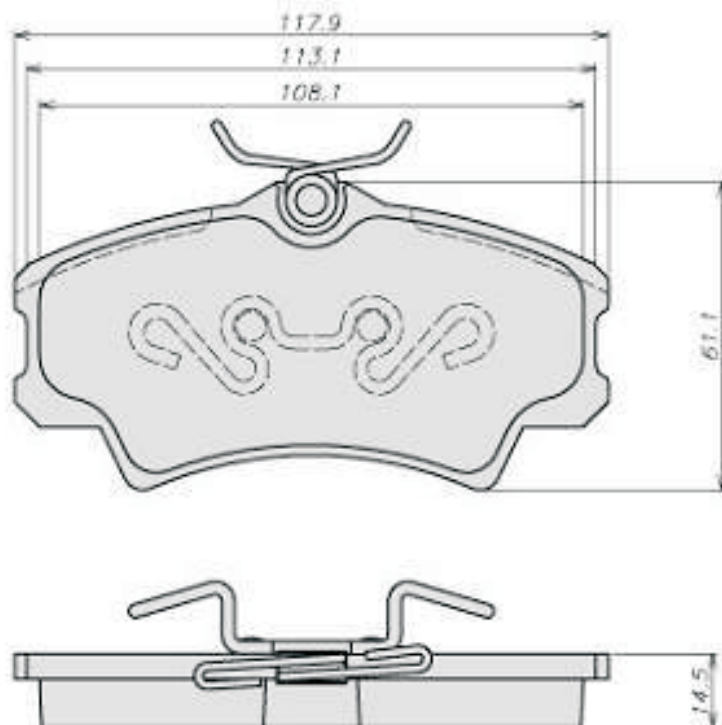


NOTE

4 identical;

无模具

Sem sensor de desgaste



OE:45022S5JM00

Apply for:

本田 CIVIC IX Saloon (FB, FG) 2.0LXR Flex
本田 CIVIC VI Saloon (EJ, EK) 1.6
本田 CIVIC VIII Saloon (FD, FA) 1.7

2013-
1995-2000
2005-

SR1167.01

Dimension
(mm)

150.5X51.4

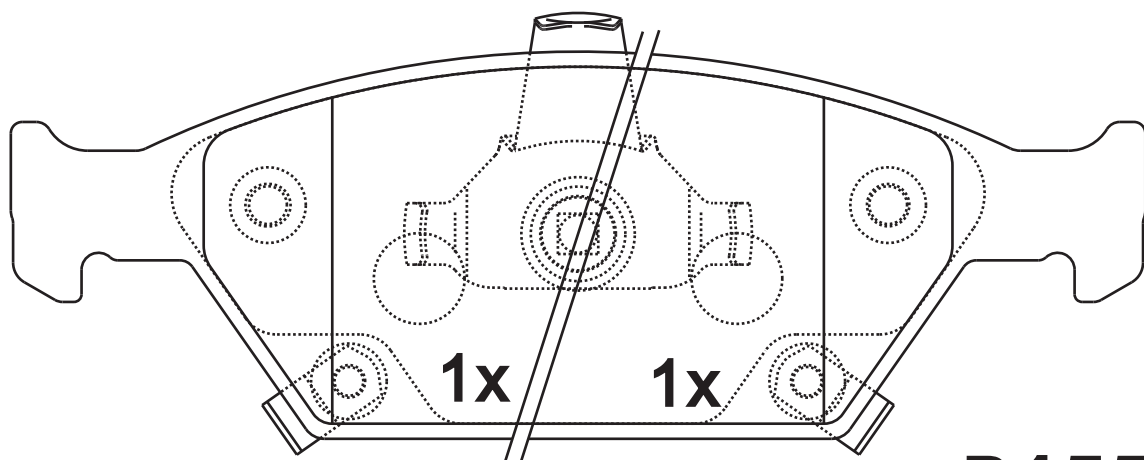
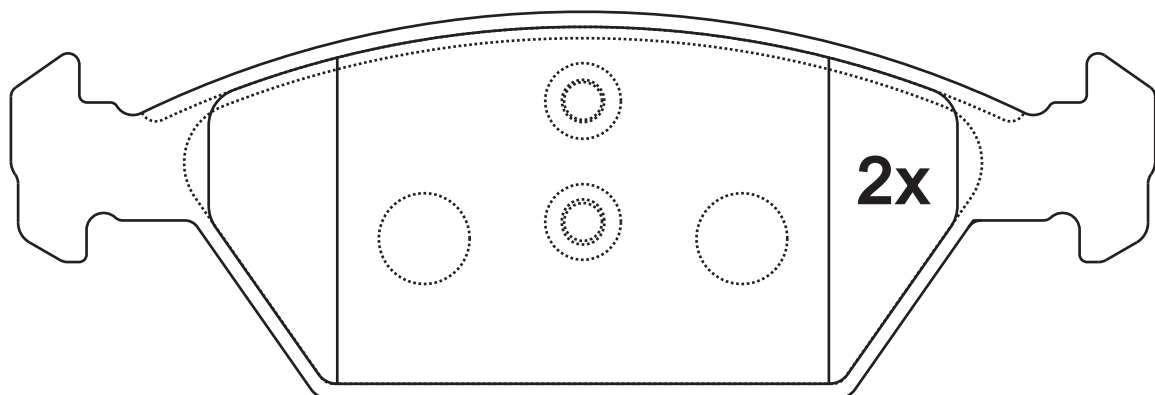
Thickness
(mm)

17.3



NOTE

2 identical; 2 identical, 1 with acoustic indicator (left), 1 with acoustic indicator (right).



D1553

Apply for:

- 本田 CITY Saloon (GM2, GM3) 1.5 Flex 2009-
- 本田 JAZZ III (GE_, GG_, GP_) 1.4 LX Flex 2008-
- 本田 JAZZ IV (GK_) 1.5 Flexfuel 2014-

SR1168.01

Dimension
(mm)

Thickness
(mm)



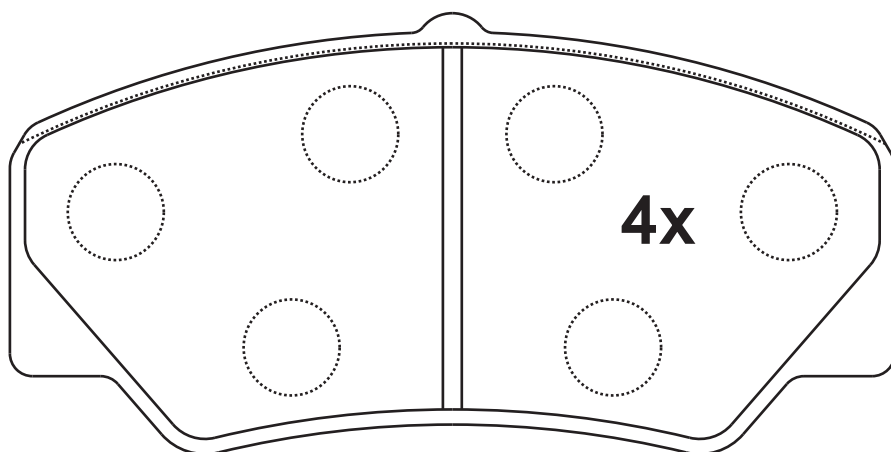
NOTE

4 identical;

117X58.3

18

无模具



21141

Apply for:

Ford Transit Box (T_ _)

1985/09-1992/09

Ford Transit Bus (T_ _)

1985/10-1992/09

Ford Transit Platform/Chassis (T_ _)

1985/10-1992/09

SR1169.01

Dimension
(mm)

140.2X48.2

Thickness
(mm)

16.3

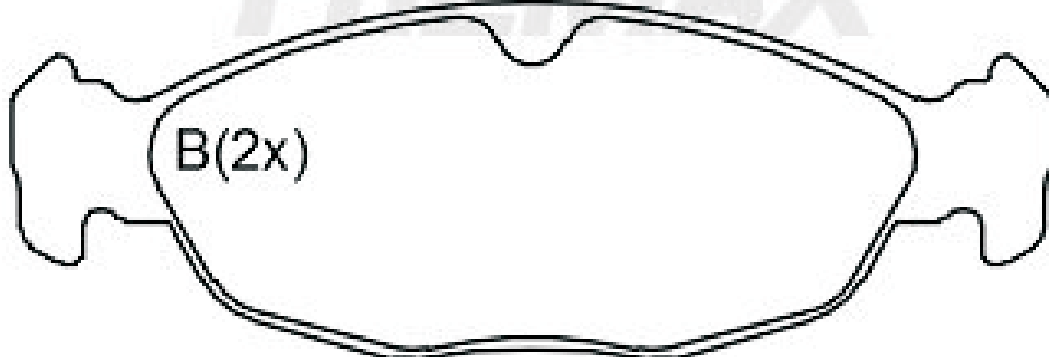
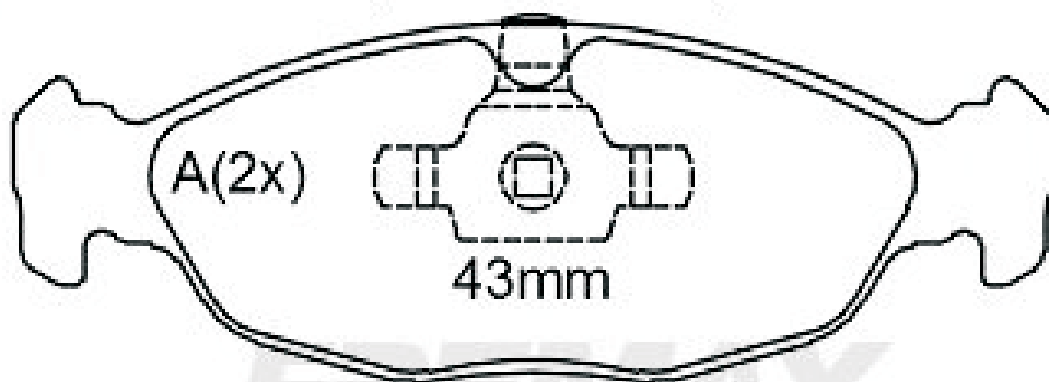


NOTE

2 identical;2 identical,

无模具

140,2 x 48,2 x 16,3



141,3 x 48,2 x 16,3

OE:94759411

Apply for:

Chevrolet Agile 2009-
Chevrolet Corsa Hatchback 2007-

SR1170.01

Dimension
(mm)

141.3X44.3

Thickness
(mm)

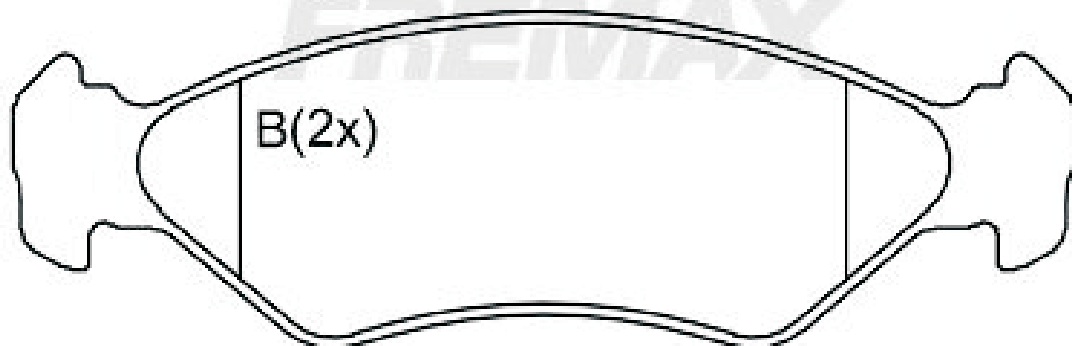
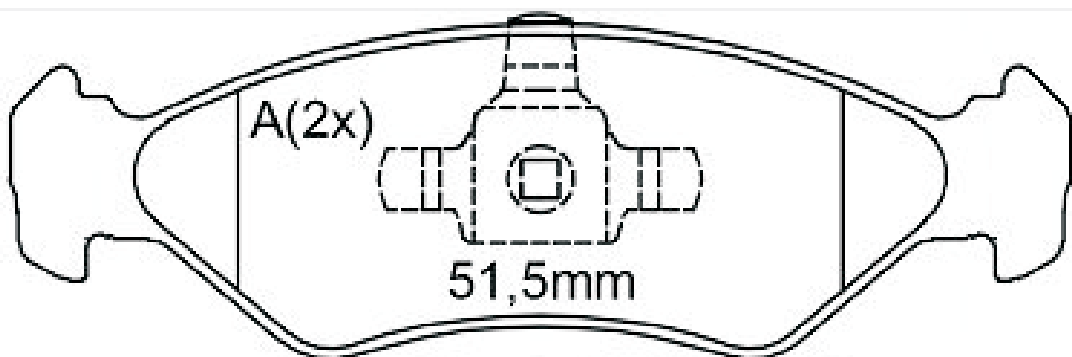
16.3



NOTE

2 identical;2 identical,

无模具



141,3 x 44,3 x 16,3

OE:MB1A2K021BA

Apply for:

Ford Fiesta Vi (Cb1, Ccn)

2013-2019

SR1171.01

Dimension
(mm)

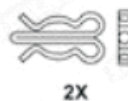
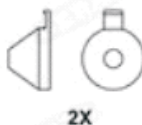
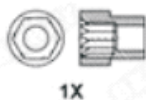
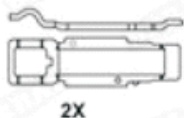
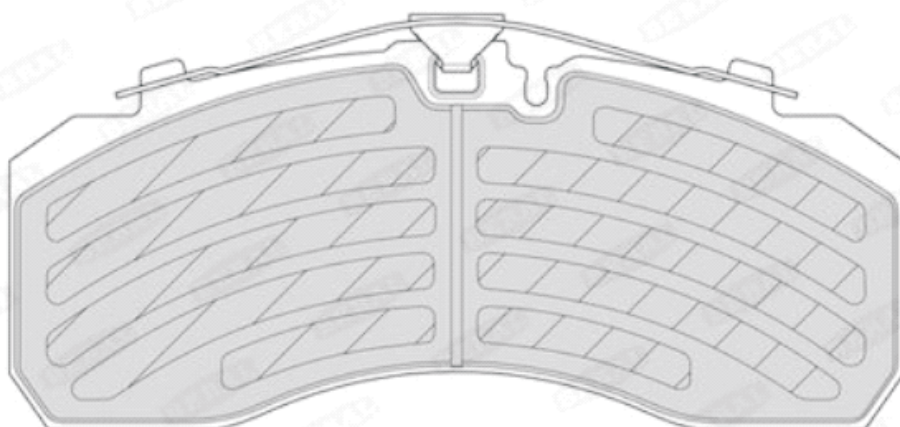
Thickness
(mm)



NOTE

4 identical;

无模具



OE:6934200120

Apply for:

达夫 75 CF FA 75 CF 250

1998-2000

达夫 75 CF FAR 75 CF 320, FAS 75 CF 320

1998-2000

BOVA Futura FHD 12, FHD 13

2001-2006

BOVA Lexio LD 123, LD 130

2005-

SR1172.01

Dimension
(mm)

148.1X66.8

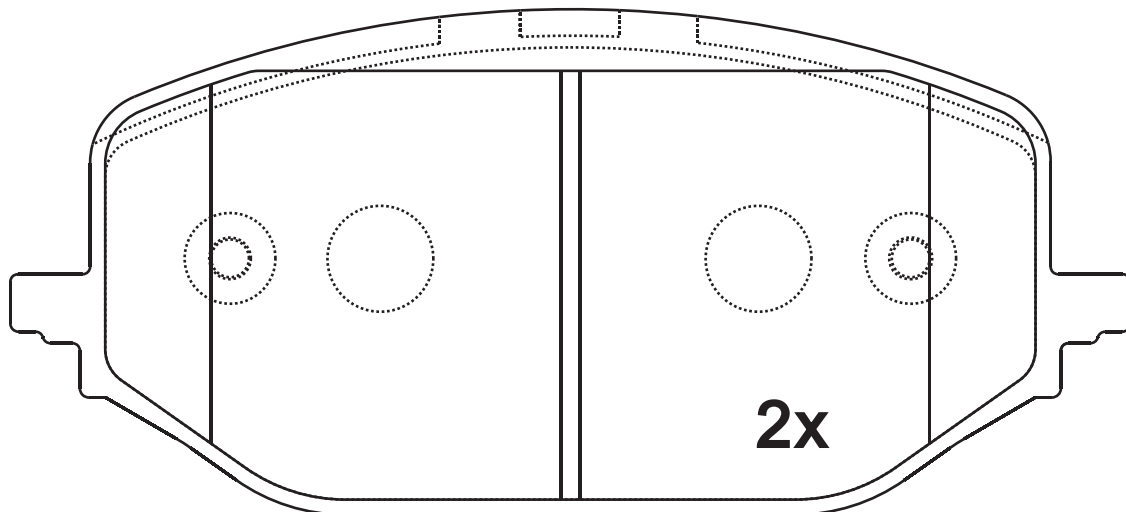
Thickness
(mm)

18.2

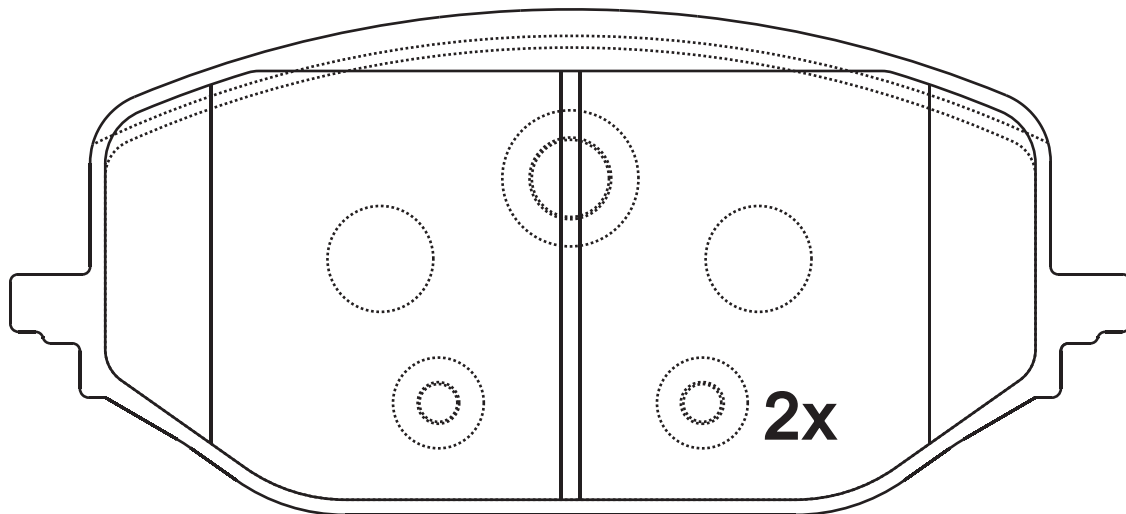


NOTE

2 identical;2 identical;



26619



26588

Apply for:

CITROEN BERLINGO

DS DS 4

CITROEN C5 X

FIAT DOBLO Box Body/MPV

PEUGEOT 308 III

2018-

2021-

2021-

2022-

2021-

SR1172.01

Dimension
(mm)

Thickness
(mm)



NOTE

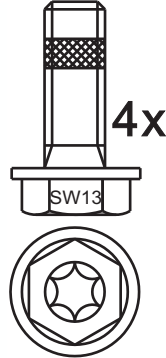
附件包
Accessory bag



DX0035



DX0036



M8X22
L0035

FJB1172.01

SR1173.01

Dimension
(mm)

104.8X46.7

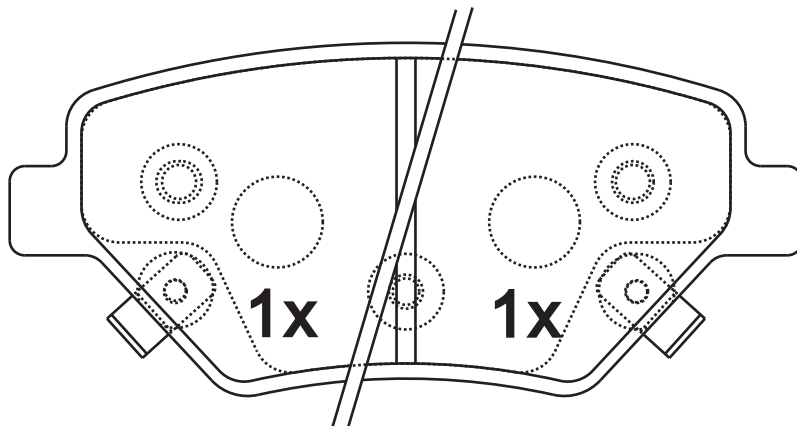
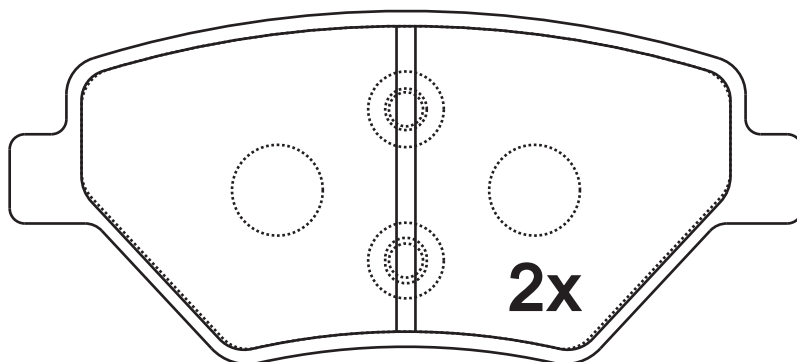
Thickness
(mm)

15.8



NOTE

2 identical; 2 identical, 1 with acoustic indicator (left), 1 with acoustic indicator (right).



GD243

Apply for:
猎豹CS9

SR1174.01

Dimension
(mm)

137.1X54.9

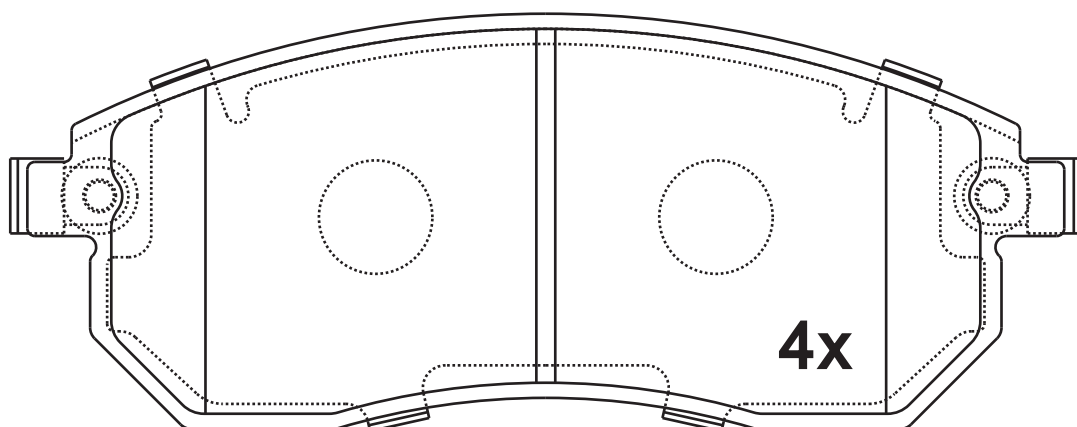
Thickness
(mm)

16.4



NOTE

4 identical;



GD242

Apply for:
猎豹CS9

SR1175.01

Dimension
(mm)

165.3X59.9

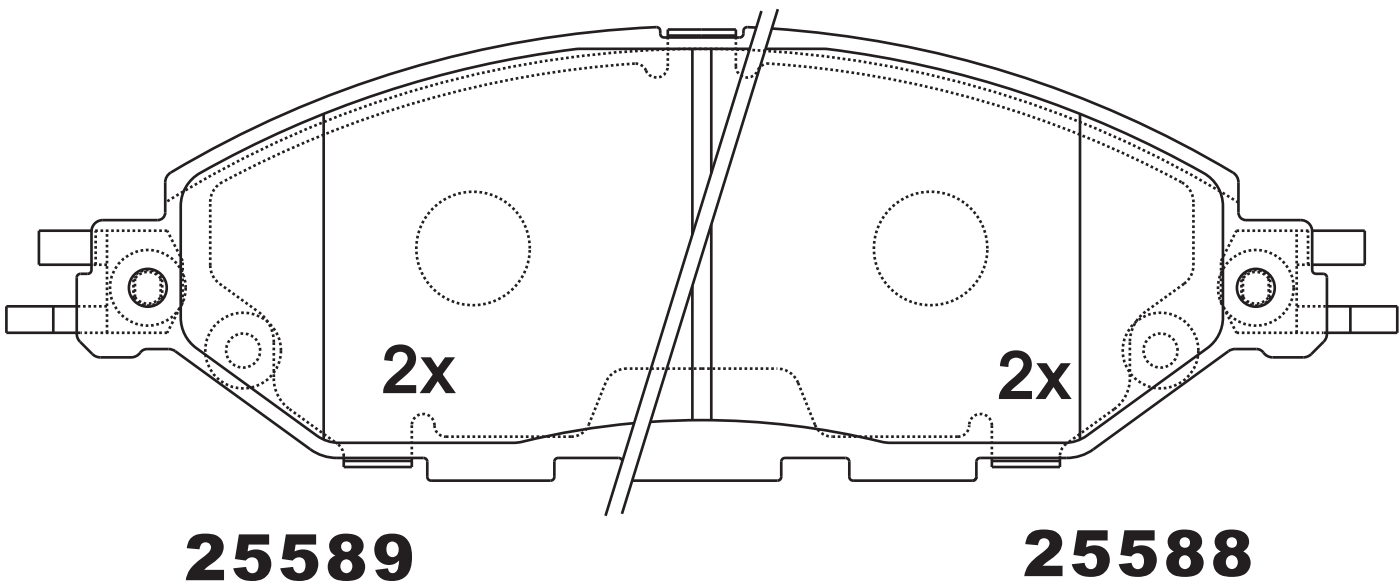
Thickness
(mm)

16.7



NOTE

2 identical;2 identical,



Apply for:

Infiniti Jx Closed Off-Road Vehicle
Nissan Murano Ii (Z51)

2012/09-
2007/10-2014/09

SR1176.01

Dimension
(mm)

184.4X70

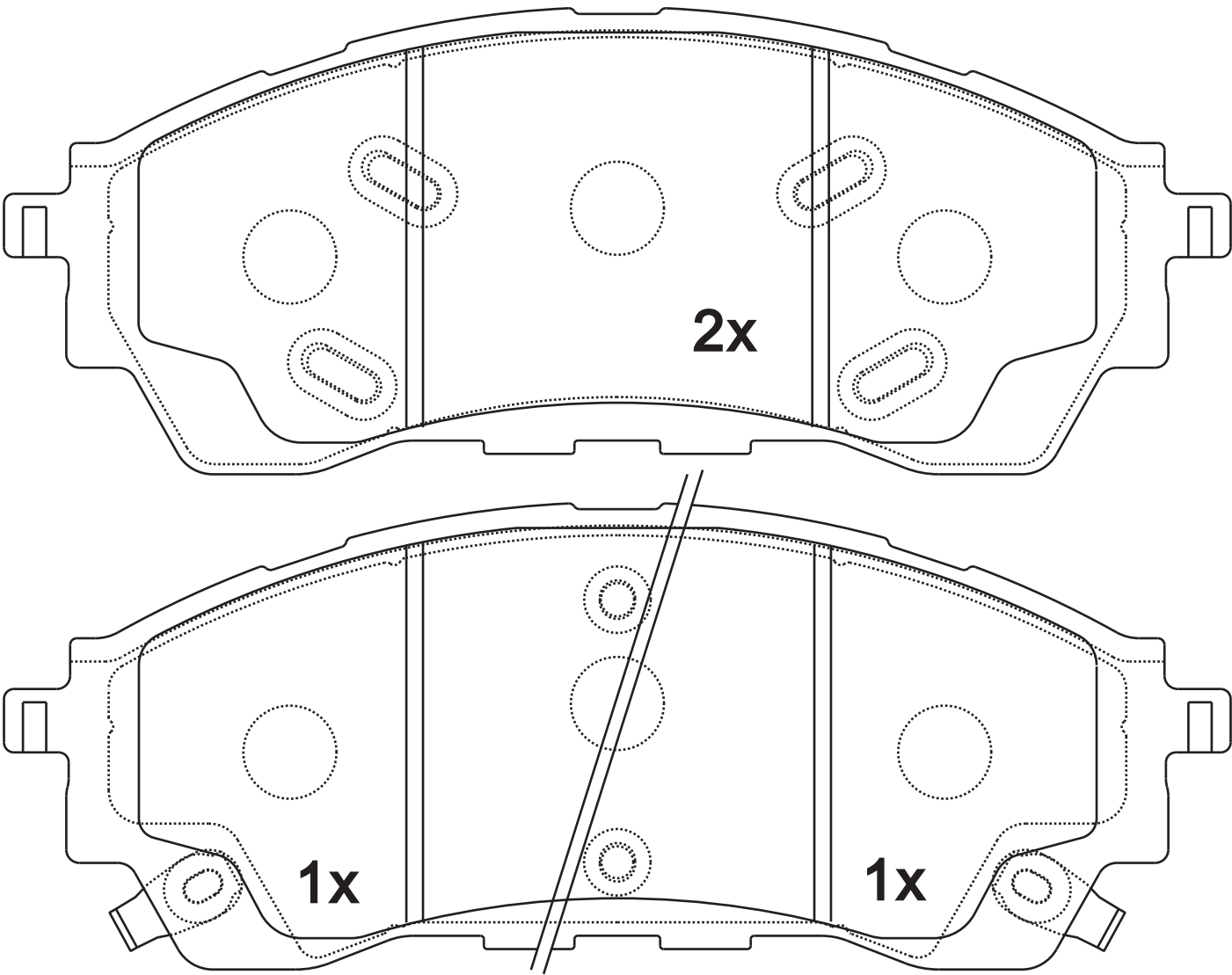
Thickness
(mm)

18.6



NOTE

2 identical; 2 identical, 1 with acoustic indicator (left), 1 with acoustic indicator (right).





D2085

Apply for:

Ford Ranger (Tke)
Ford (Jmc) Everest

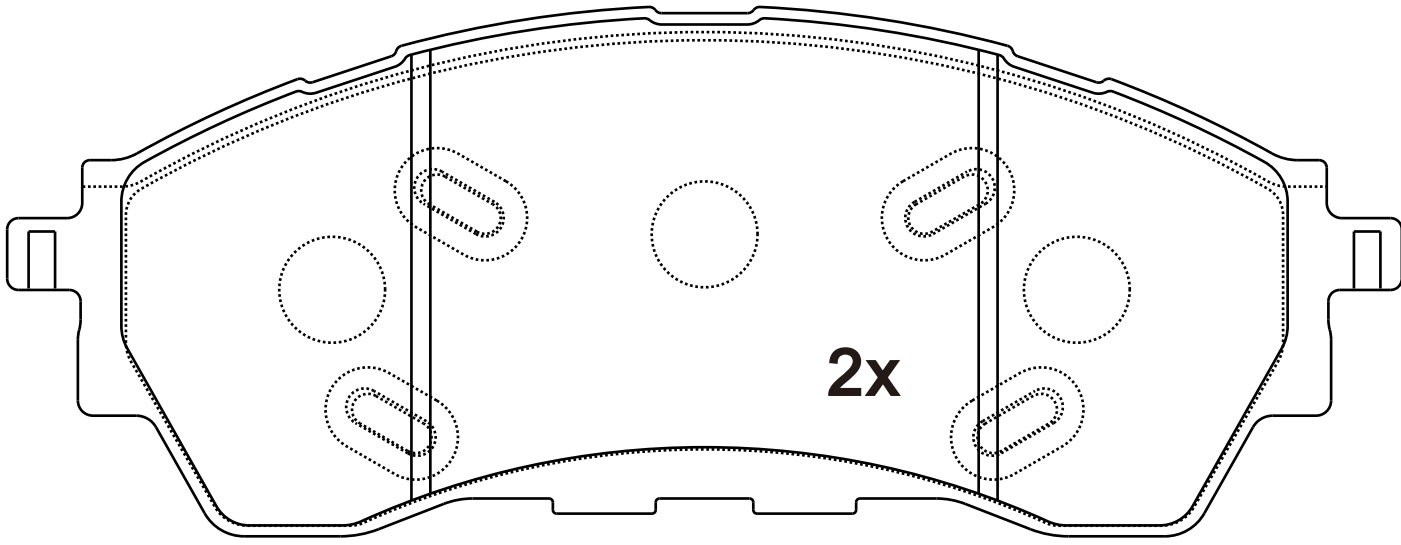
2011/04-
2015/10-

SR1176.02

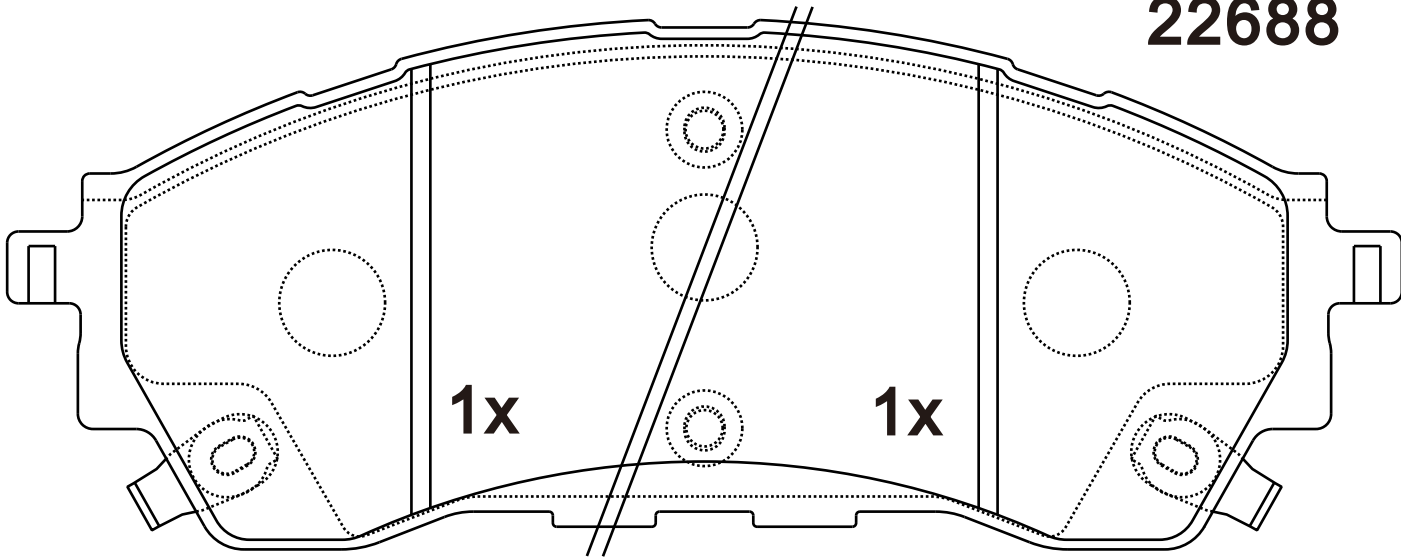
Dimension (mm)	Thickness (mm)	
184.4X70	18.6	

NOTE

2 identical;2 identical,1 with acoustic indicator (left),1 with acoustic indicator(right).



22688



22690

22689



Apply for:

Ford Ranger (Tke)
Ford (Jmc) Everest

2011/04-
2015/10-

SR1177.01

Dimension
(mm)

Thickness
(mm)

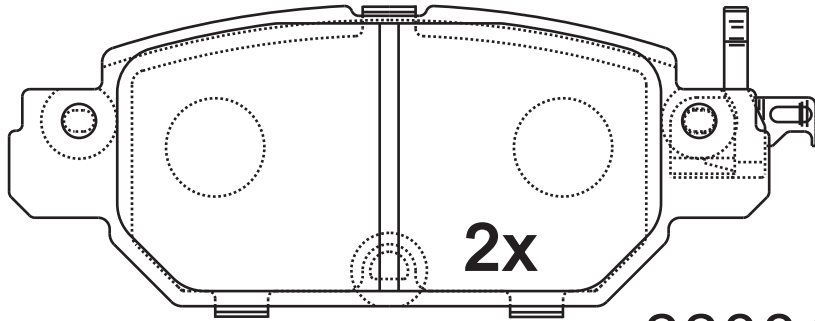


NOTE

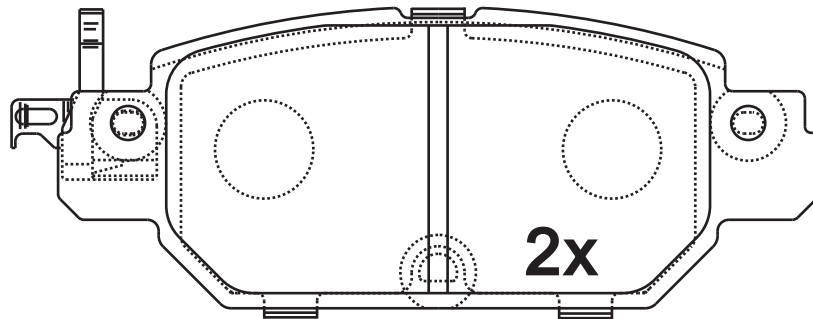
4 identical;

100.5X39.7

15



22881



22882

Apply for:
日产劲客

2018-

SR1178.01

Dimension
(mm)

148X52.5/60.4

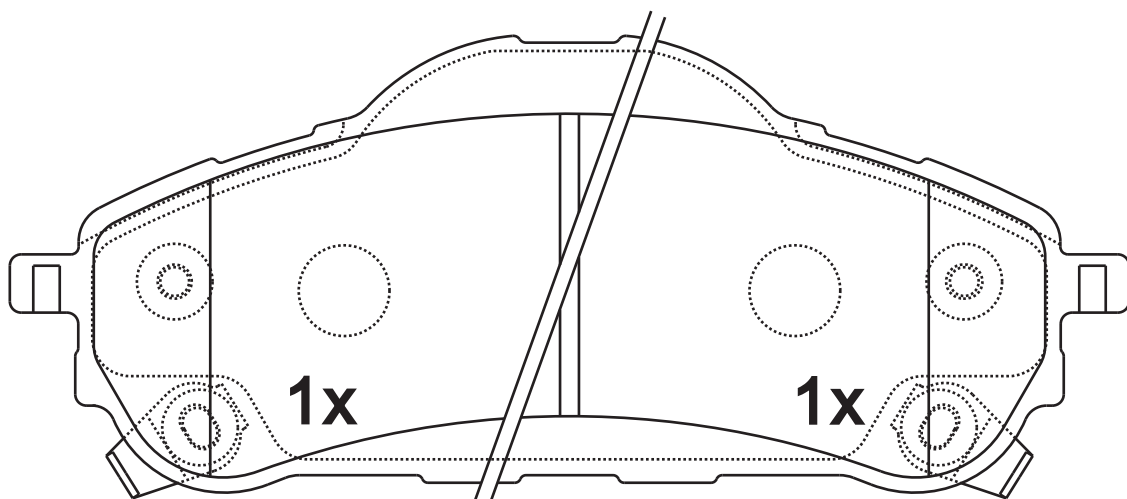
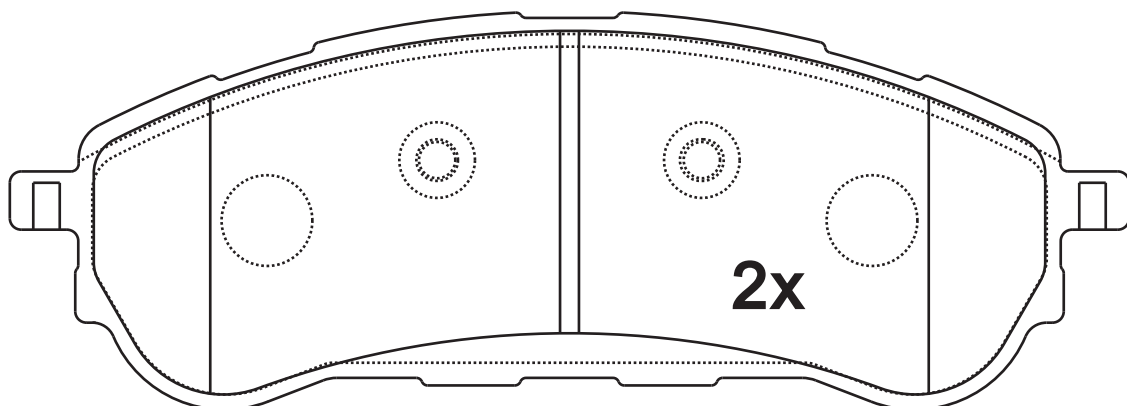
Thickness
(mm)

16.2



NOTE

2 identical; 2 identical, 1 with acoustic indicator (left), 1 with acoustic indicator (right).



GD189

Apply for:

江铃福特 撼路者 2.0T 2.2T 2016-

SR1179.01

Dimension
(mm)

125.5X49.8

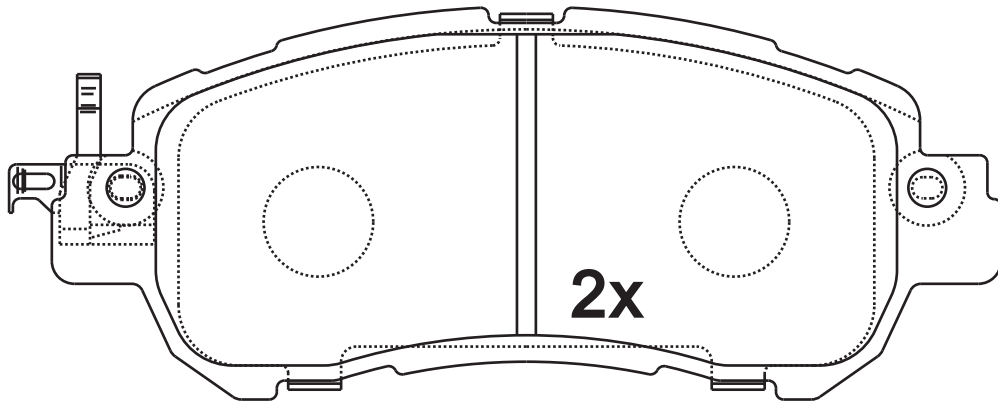
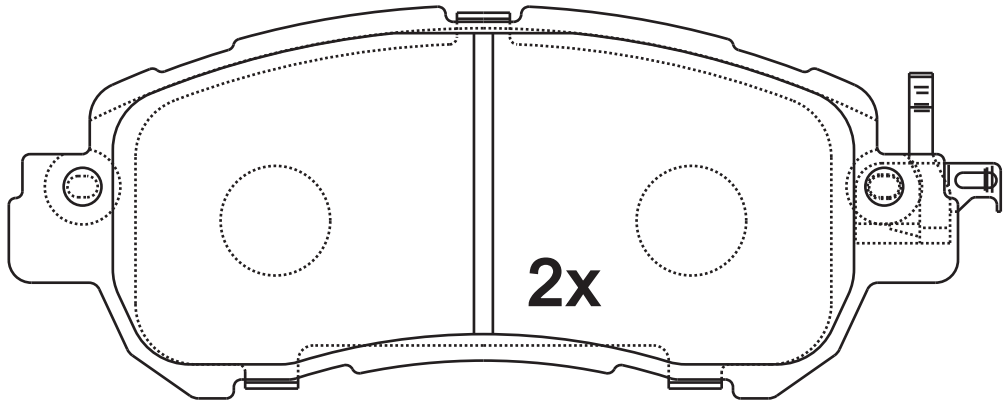
Thickness
(mm)

15.9



NOTE

4 identical;



D2038

Apply for:

Nissan Kicks (P15_)

2018-

SR1180.01

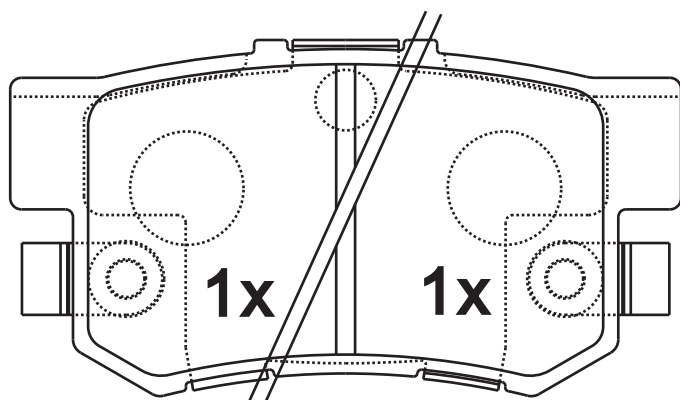
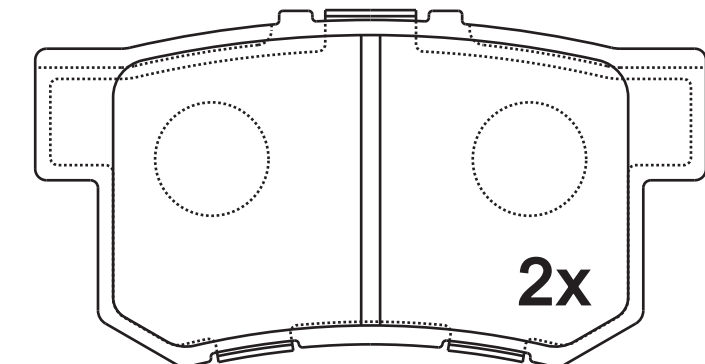
Dimension
(mm)

Thickness
(mm)



NOTE

2 identical; 2 identical, 1 with acoustic indicator (left), 1 with acoustic indicator (right).



D1705

Apply for:

Acura Integra Saloon

1993/10-2001/09

Haval H6

2013/03-

SR1181.01

Dimension
(mm)

113.8X53.4

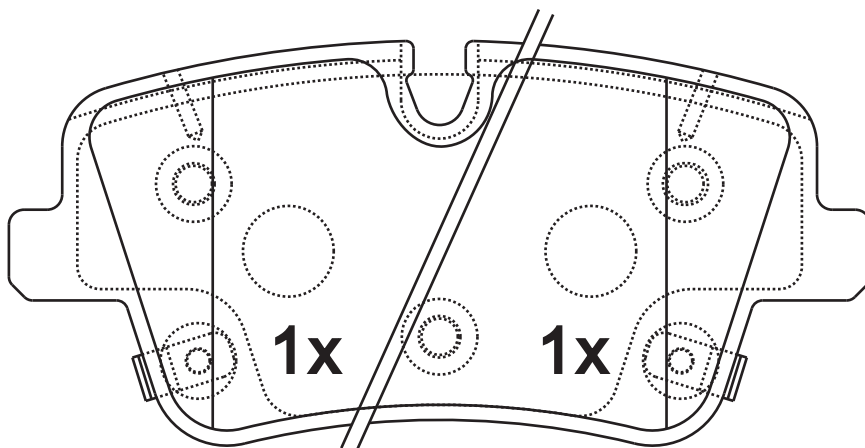
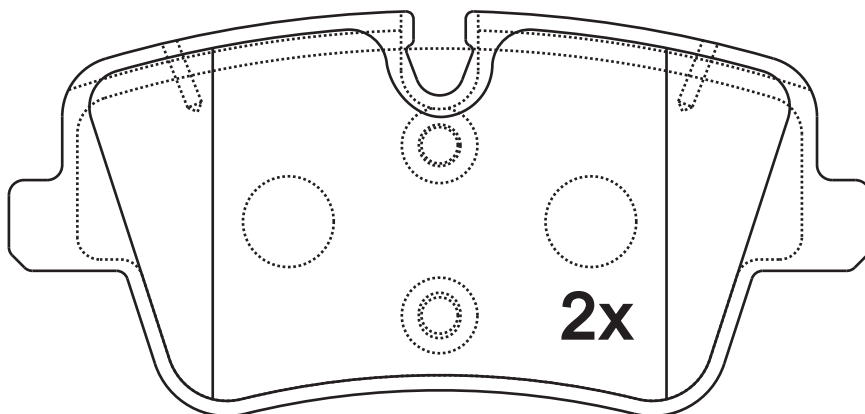
Thickness
(mm)

15.6



NOTE

2 identical; 2 identical, 1 with acoustic indicator (left), 1 with acoustic indicator (right).



GD9044

Apply for:
红旗HS3 后

SR1182.01

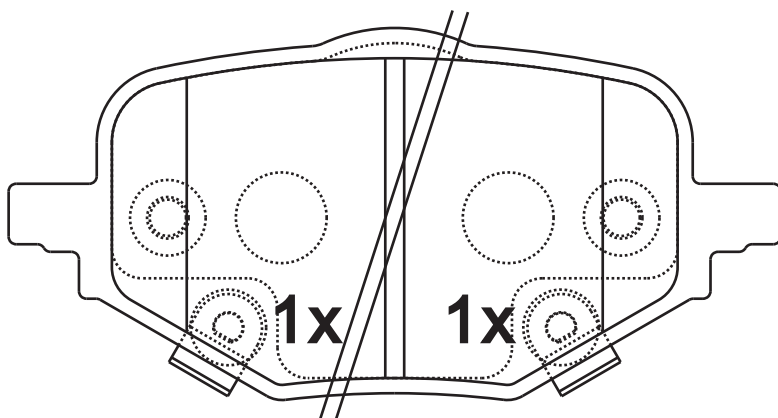
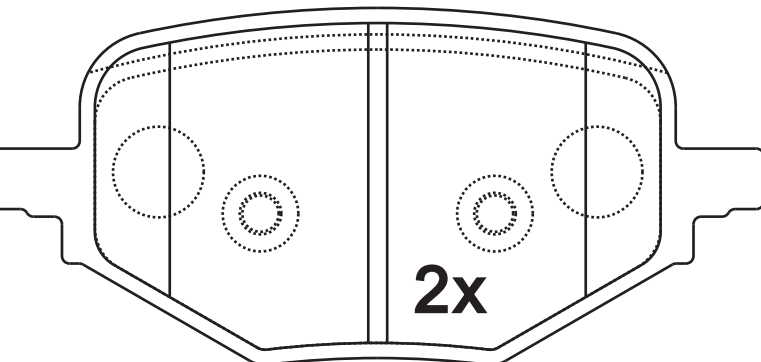
Dimension
(mm)

Thickness
(mm)



NOTE

2 identical; 2 identical, 1 with acoustic indicator (left), 1 with acoustic indicator (right).



GD341

Apply for:

风神：AX7 2018款

SR1183.01

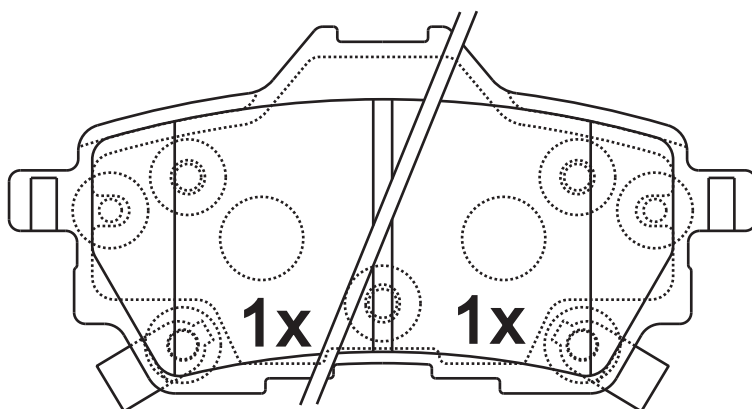
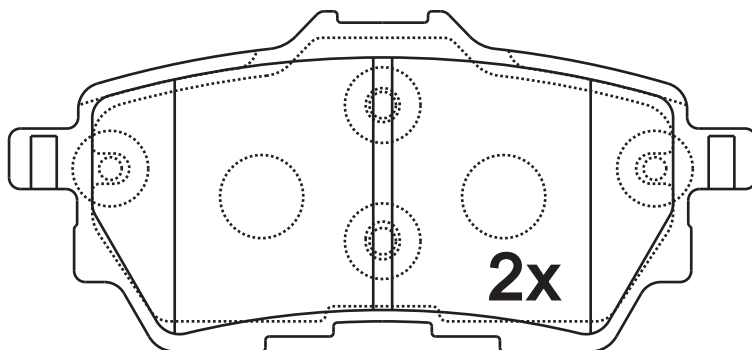
Dimension
(mm)

Thickness
(mm)



NOTE

2 identical; 2 identical, 1 with acoustic indicator (left), 1 with acoustic indicator (right).



ZDP-957

Apply for:
启辰D60 后

SR1184.01

Dimension
(mm)

Thickness
(mm)

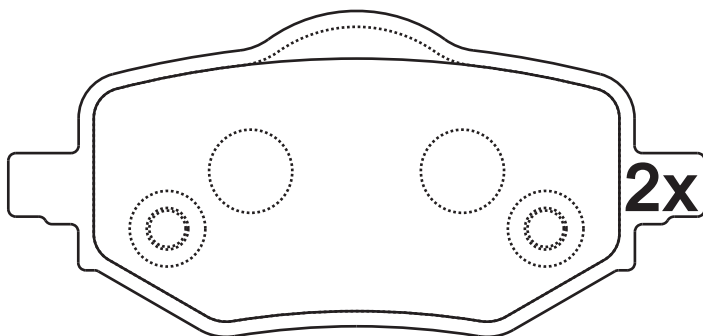
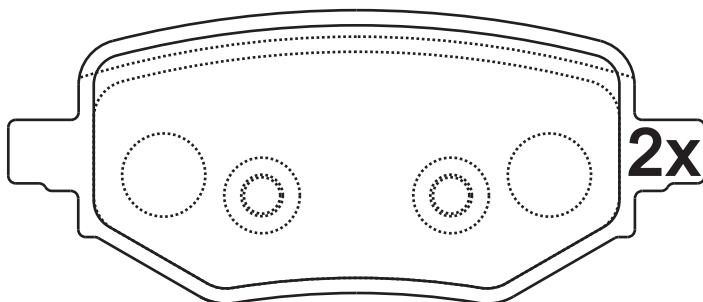


NOTE

2 identical;2 identical,

92.1X38.7/42.7

16.8



GD9032

Apply for:

风神：奕炫 2020 后

SR1185.01

Dimension
(mm)

118.7X47.9

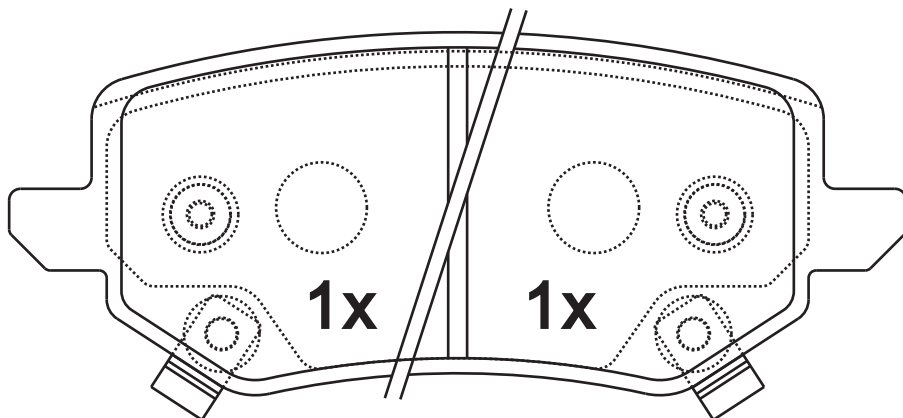
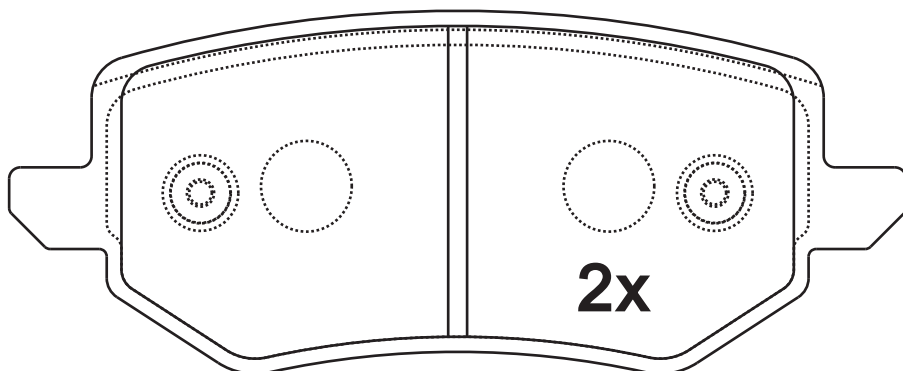
Thickness
(mm)

15.3



NOTE

2 identical; 2 identical, 1 with acoustic indicator (left), 1 with acoustic indicator (right).



GD9041

Apply for:

长城:炮 机械手刹

2019-

SR1186.01

Dimension
(mm)

Thickness
(mm)

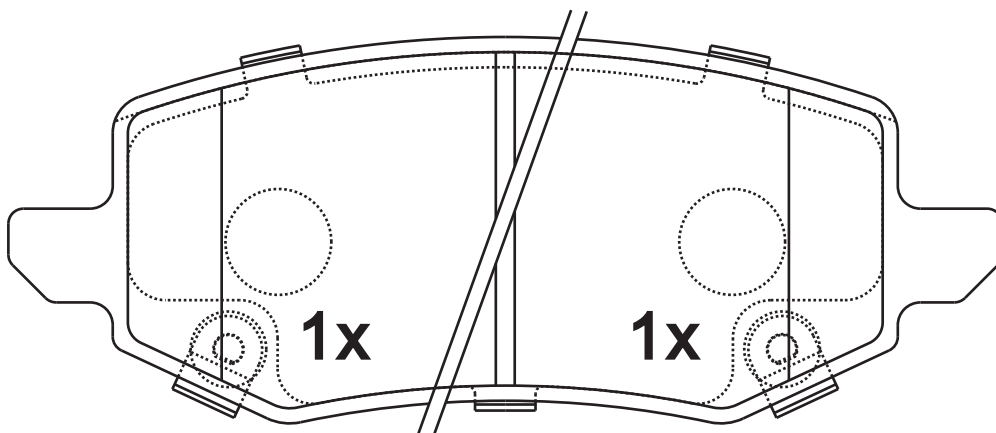
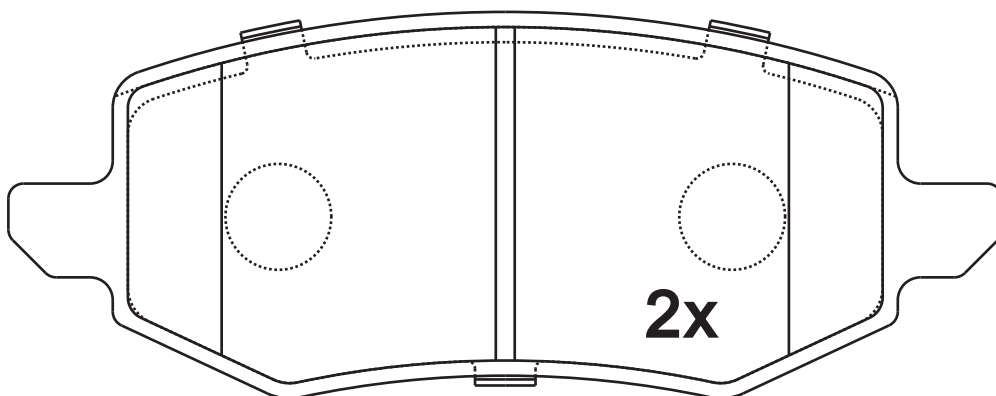


NOTE

2 identical; 2 identical, 1 with acoustic indicator (left), 1 with acoustic indicator (right).

131.4X51

16.7



GD9060

Apply for:
TANK T300

2022--

SR1187.01

Dimension
(mm)

158.3X60.9

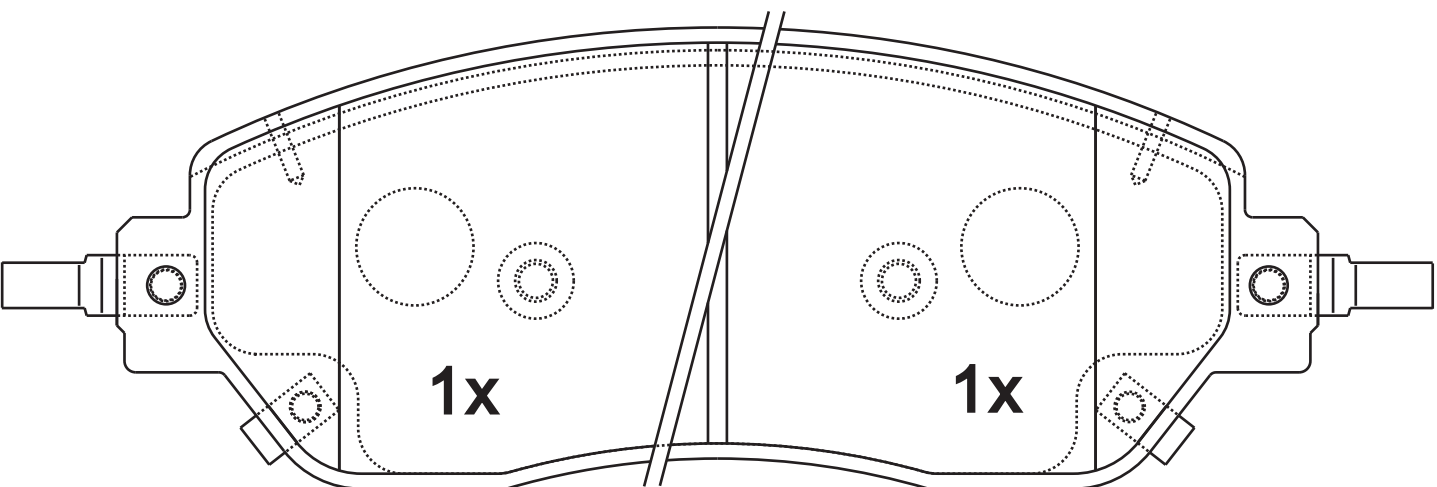
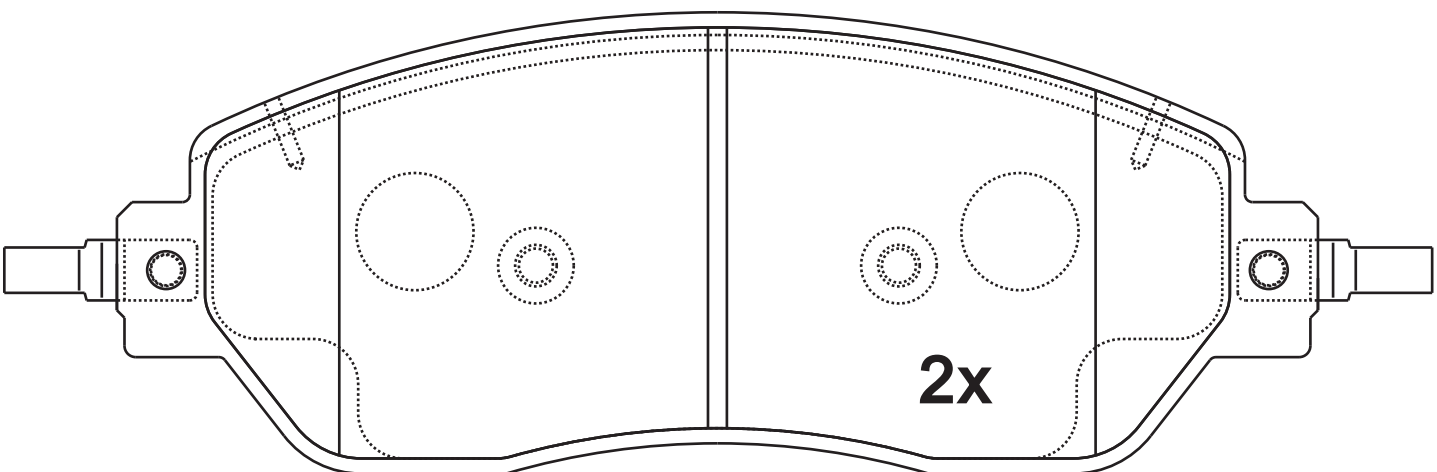
Thickness
(mm)

17.2



NOTE

2 identical; 2 identical, 1 with acoustic indicator (left), 1 with acoustic indicator (right).



GD9040

Apply for:
TKNK T300

2022--

SR1188.01

Dimension
(mm)

168.8X68.8

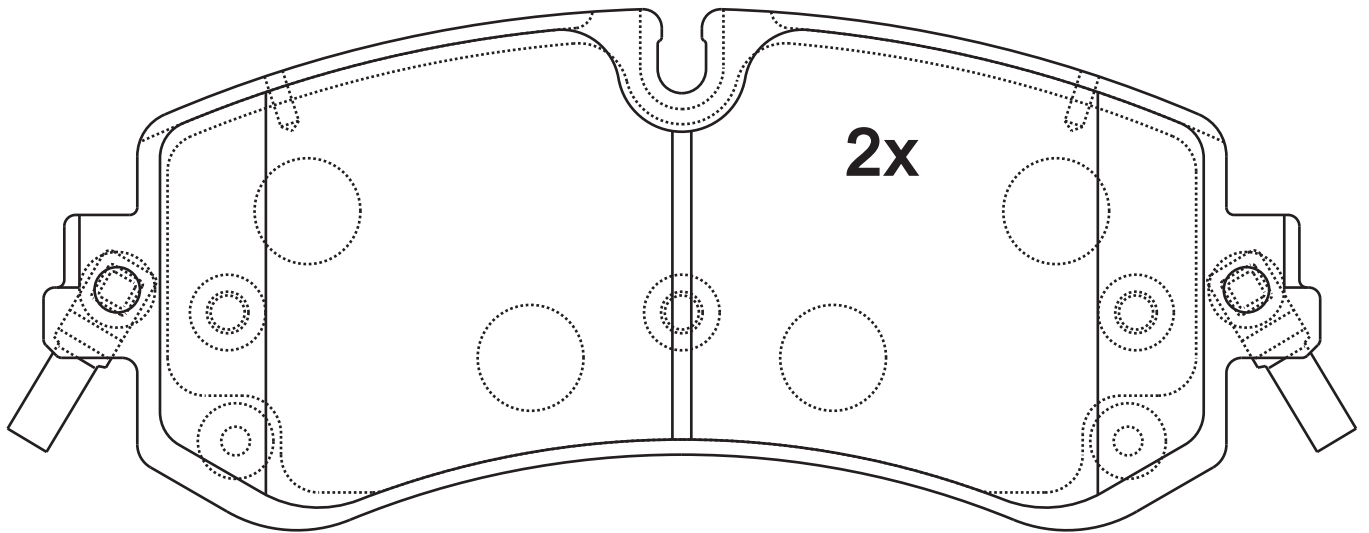
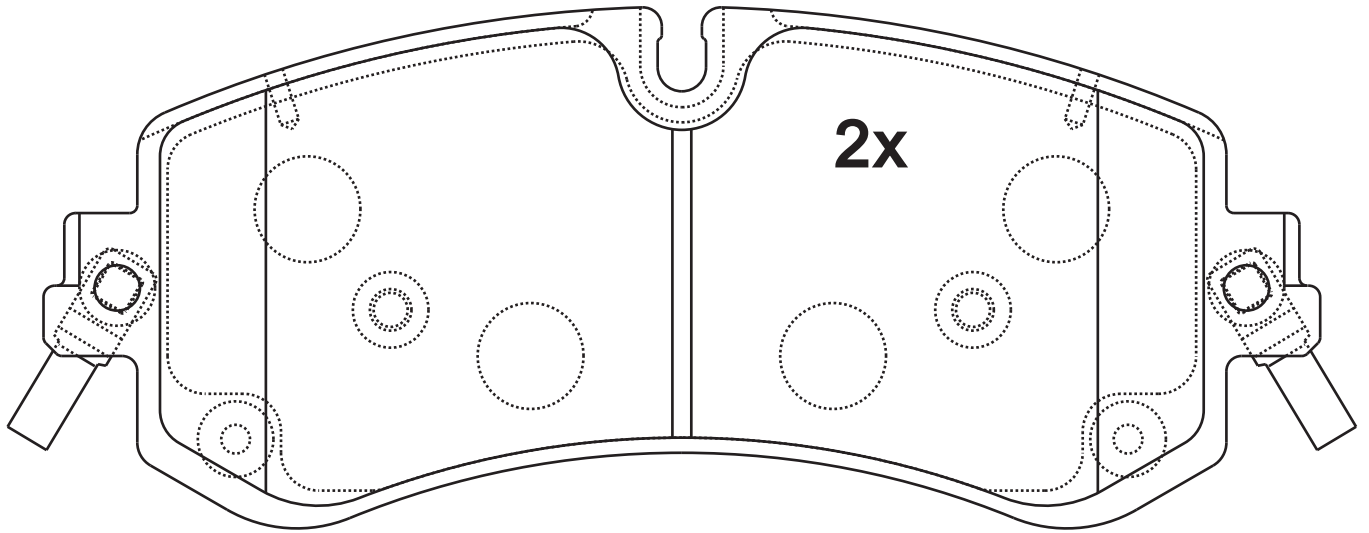
Thickness
(mm)

18.3



NOTE

2 identical;2 identical,



GD9042

Apply for:
红旗HS5 前

SR1189.01

Dimension
(mm)

Thickness
(mm)

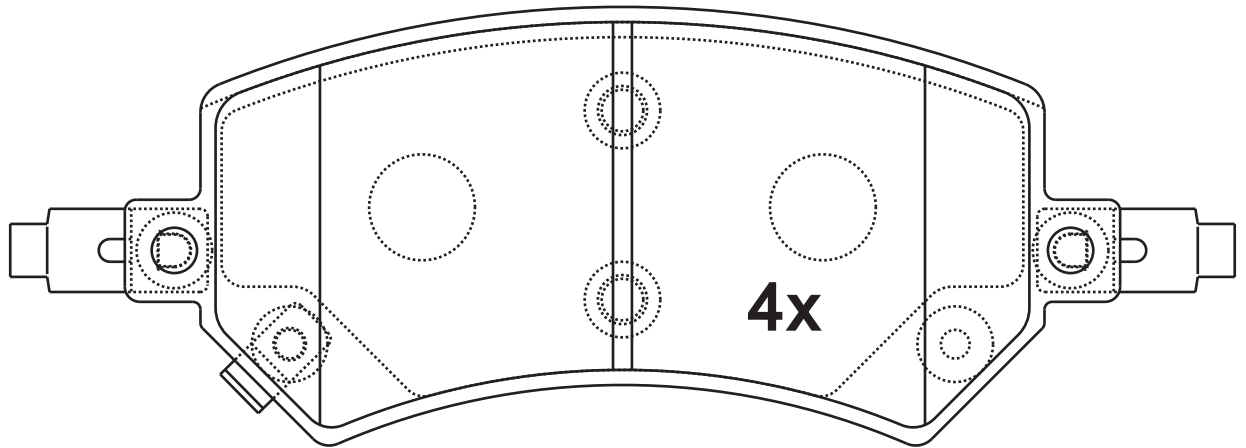


NOTE

4 identical;

131.7X58

17.6



ZDP-964

Apply for:
吉利几何 前

SR1190.01

Dimension
(mm)

Thickness
(mm)

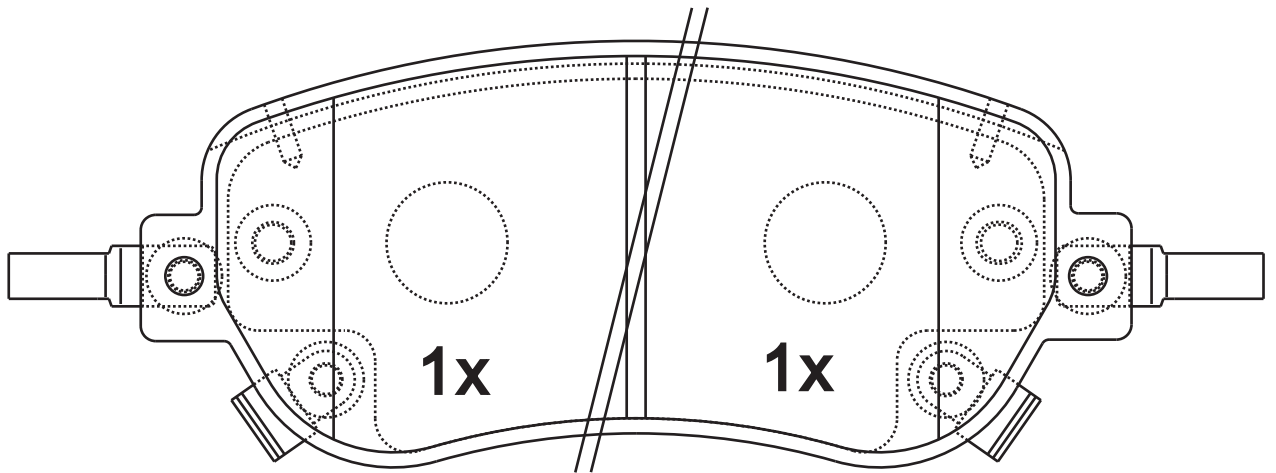
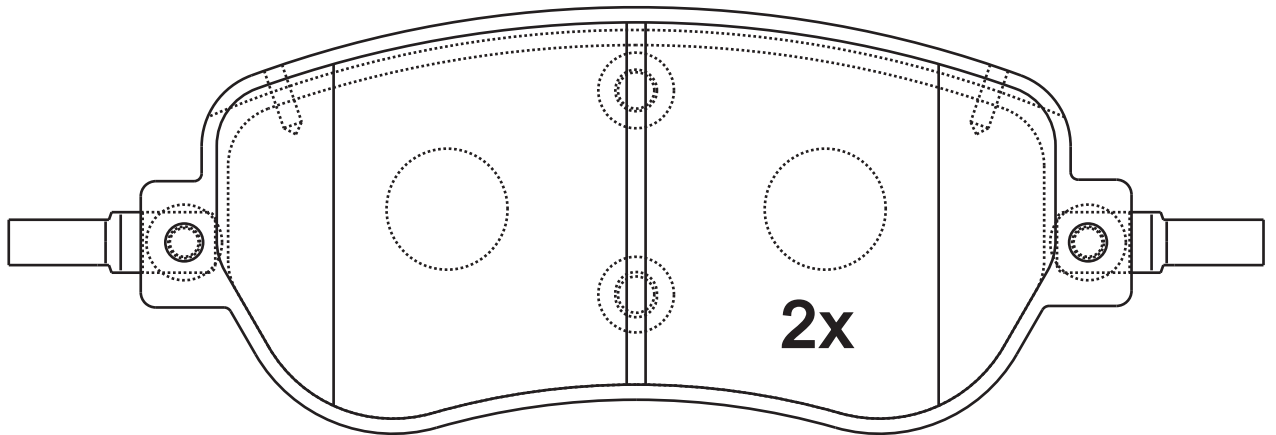


NOTE

2 identical; 2 identical, 1 with acoustic indicator (left), 1 with acoustic indicator (right).

131X56.3

17.7



GD9050

Apply for:

传祺GS4 2019-

SR1191.01

Dimension
(mm)

Thickness
(mm)

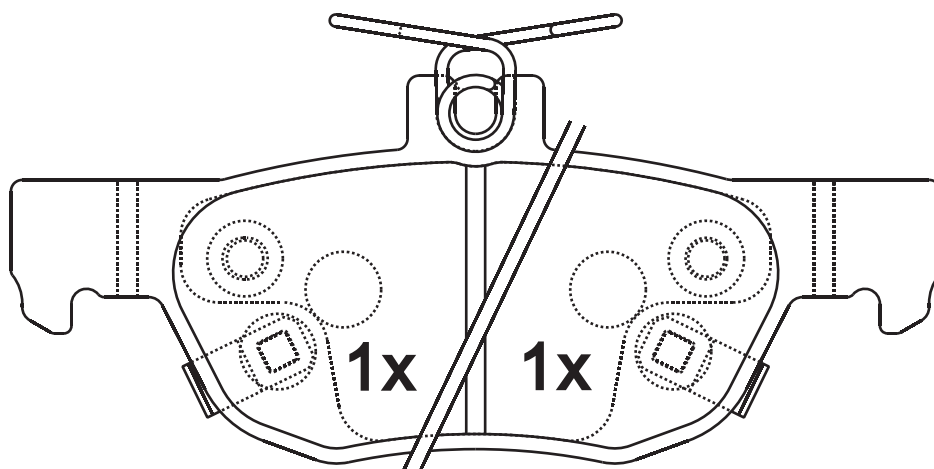
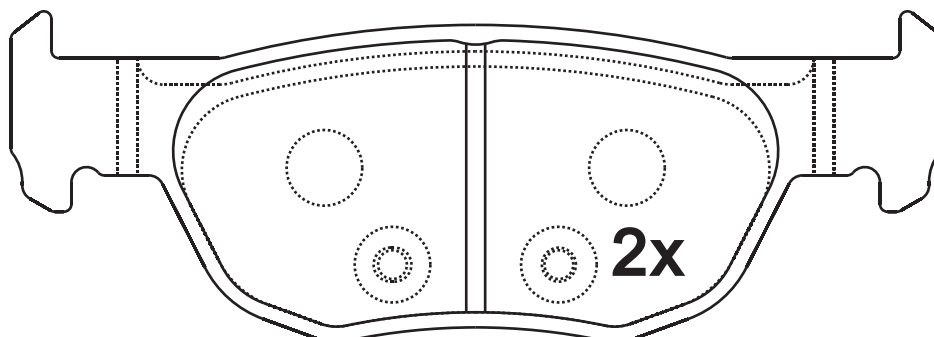


NOTE

2 identical; 2 identical, 1 with acoustic indicator (left), 1 with acoustic indicator (right).

122.8X43.7/51.3

14.4



OE:BCYA2643Z

Apply for:

Mazda 3 Hatchback (Bp)

Mazda Cx-30 (Dm)

2018/11-

2019/04-

SR1192.01

Dimension
(mm)

138X55.7

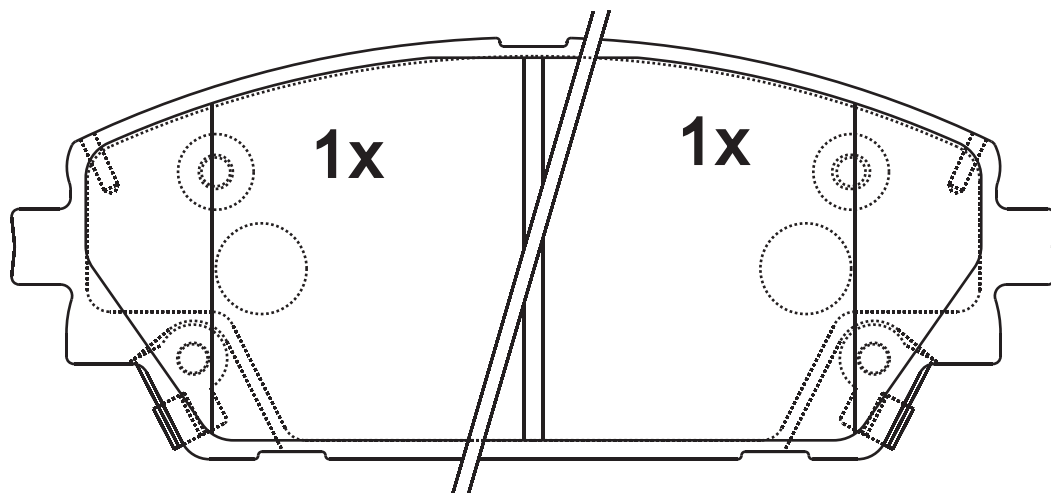
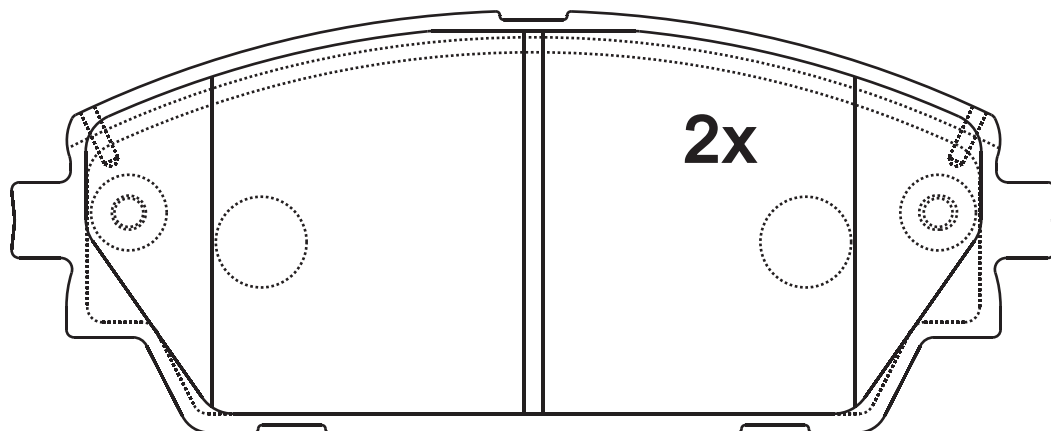
Thickness
(mm)

15.8



NOTE

2 identical;2 identical,1 with acoustic indicator (left),1 with acoustic indicator(right).



OE:BCYA3328Z

Apply for:

Mazda 3 Hatchback (Bp)
Mazda 3 Saloon (Bp_)

2018/11-
2018/11-

SR1192.01

Dimension
(mm)

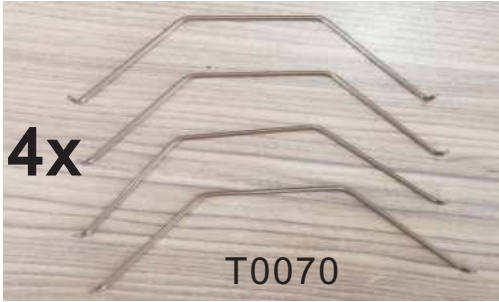
Thickness
(mm)



NOTE

附件包
Accessory bag

4x



T0070

FJB1192.01

SR1193.01

Dimension
(mm)

166X61.9

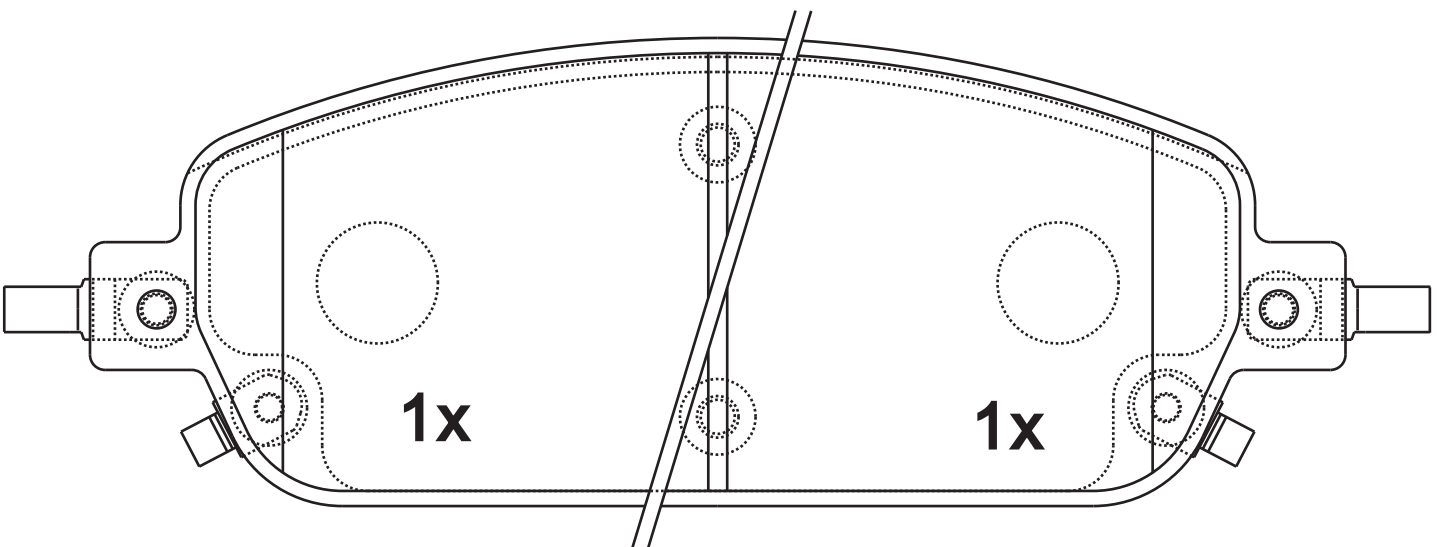
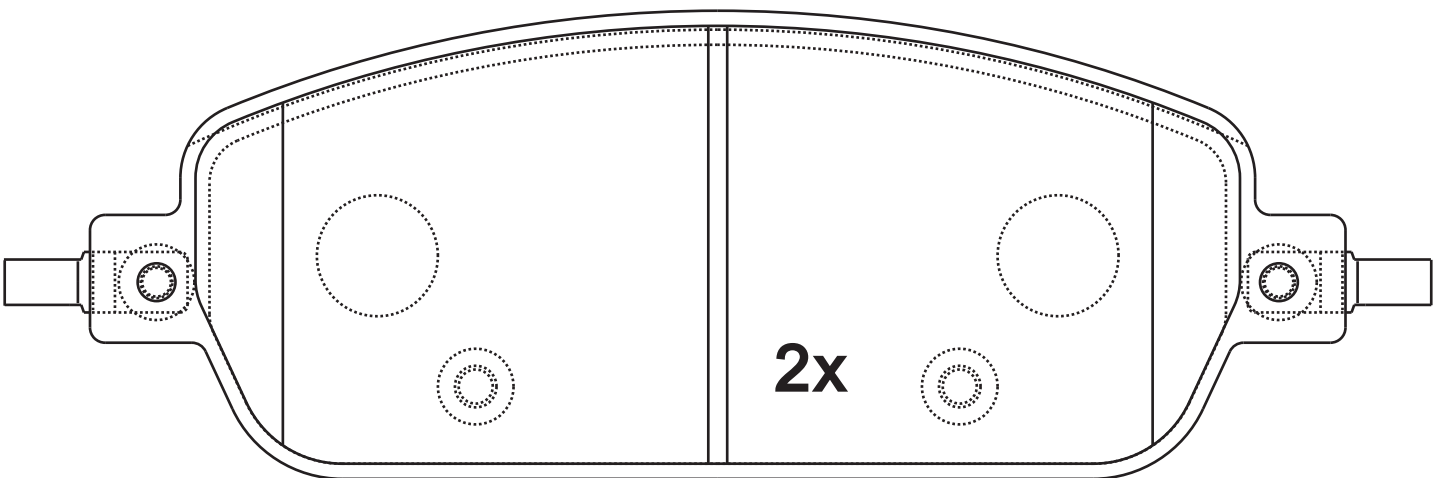
Thickness
(mm)

18.7



NOTE

2 identical; 2 identical, 1 with acoustic indicator (left), 1 with acoustic indicator (right).



Apply for:
新款VV7 前

SR1194.01

Dimension
(mm)

91.6X44

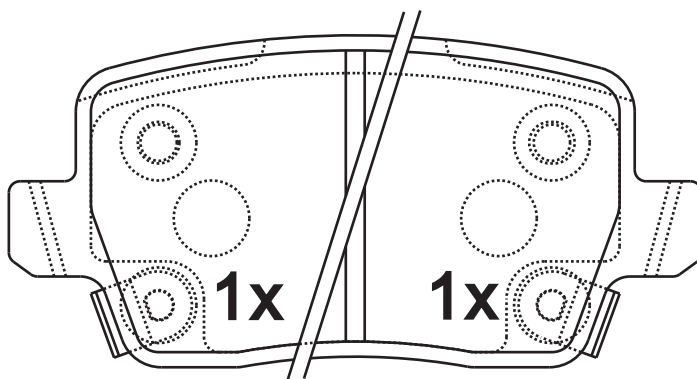
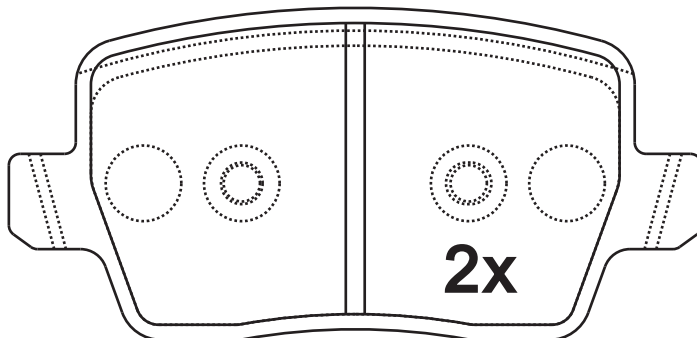
Thickness
(mm)

16.1



NOTE

2 identical; 2 identical, 1 with acoustic indicator (left), 1 with acoustic indicator (right).



Apply for:
新款传祺GA4 后

SR1195.01

Dimension
(mm)

103.4X43.4

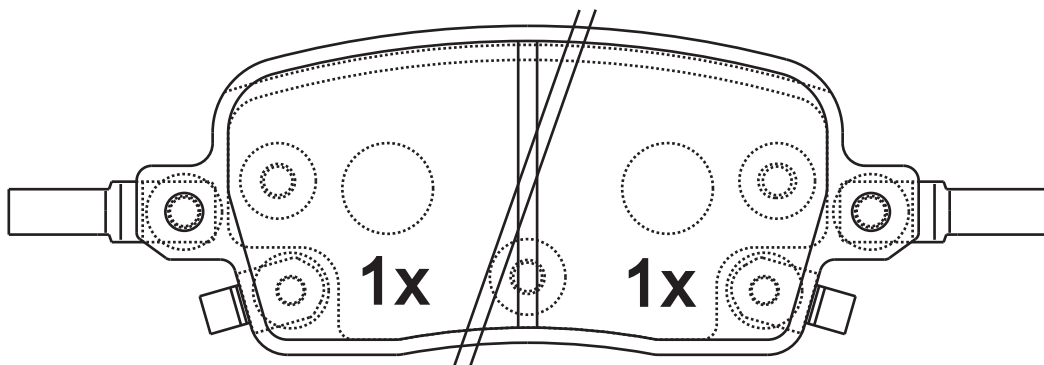
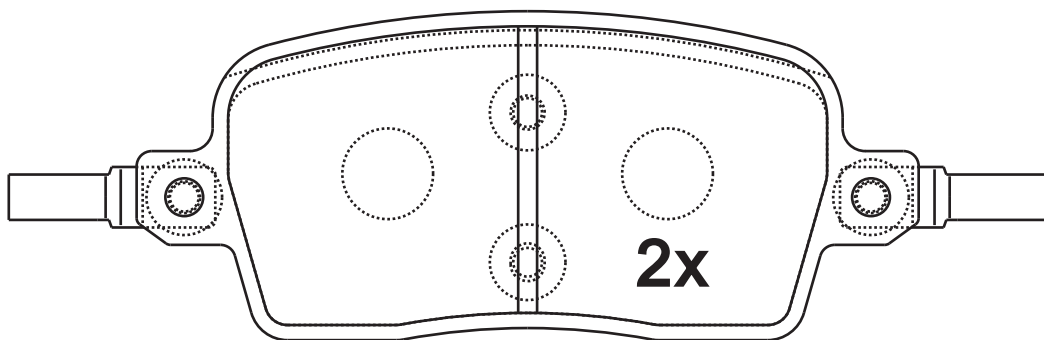
Thickness
(mm)

16.2



NOTE

2 identical; 2 identical, 1 with acoustic indicator (left), 1 with acoustic indicator (right).



Apply for:
新款传祺GS4 后

SR1196.01

Dimension
(mm)

141.6X53.8

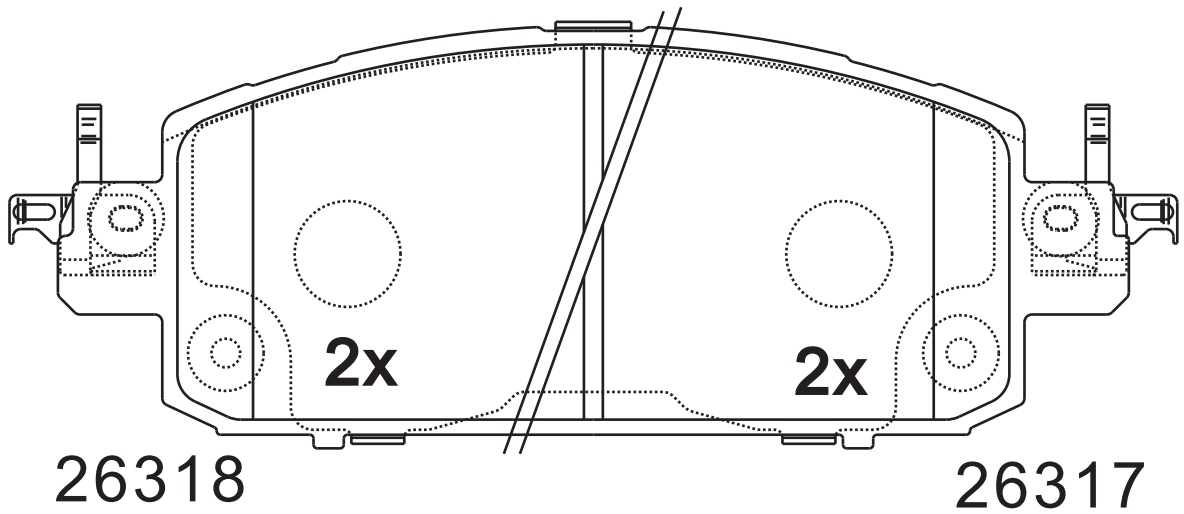
Thickness
(mm)

16.6



NOTE

2 identical;2 identical.



Apply for:
20款新轩逸 前

SR1197.01

Dimension
(mm)

145.7X64.5

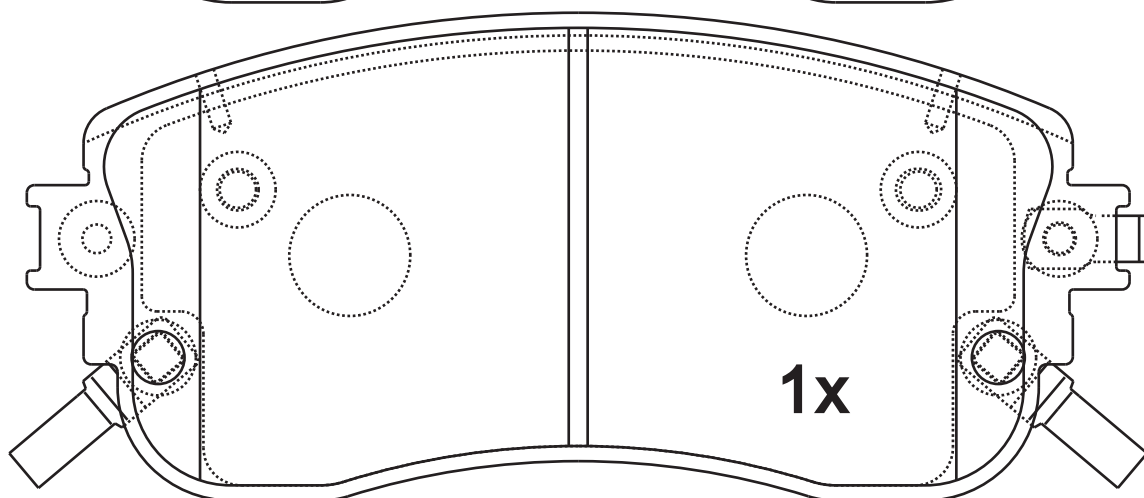
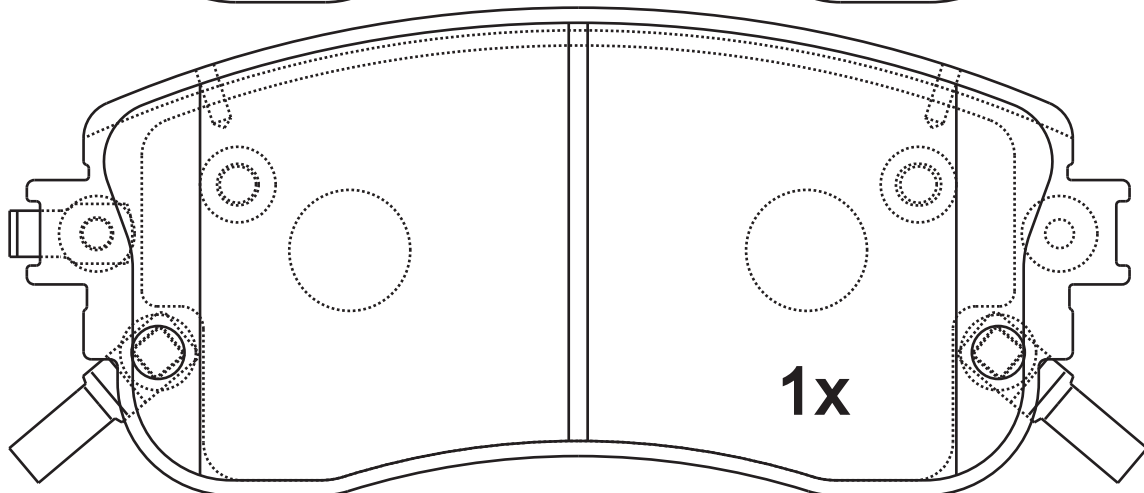
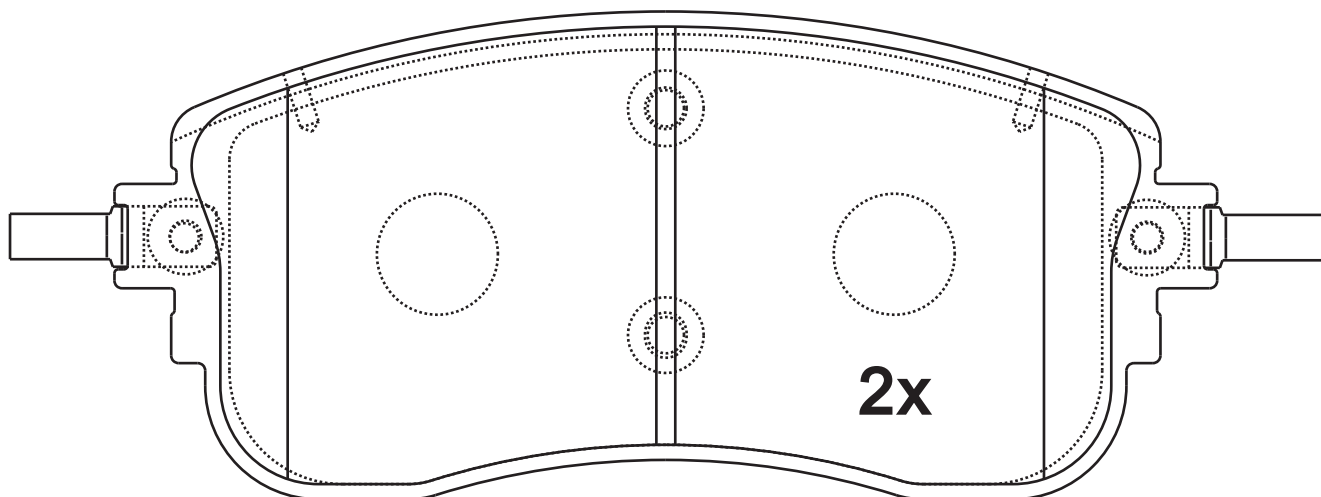
Thickness
(mm)

18.5



NOTE

2 identical; 2 identical, 1 with acoustic indicator (left), 1 with acoustic indicator (right).



Apply for:

Gac Trumpchi Gs7 280T

GDB8139

2017-

SR1197.02

Dimension
(mm)

145.7X64.5

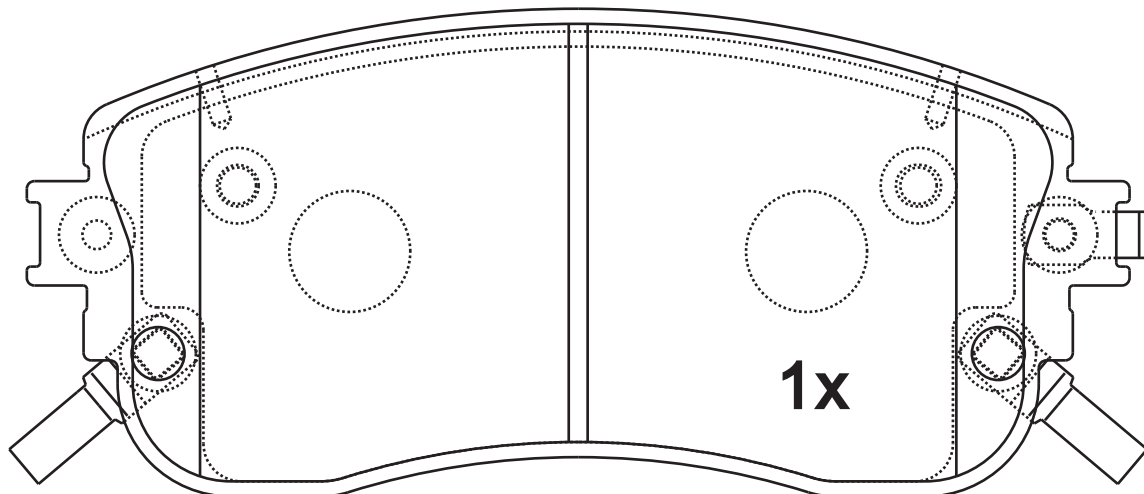
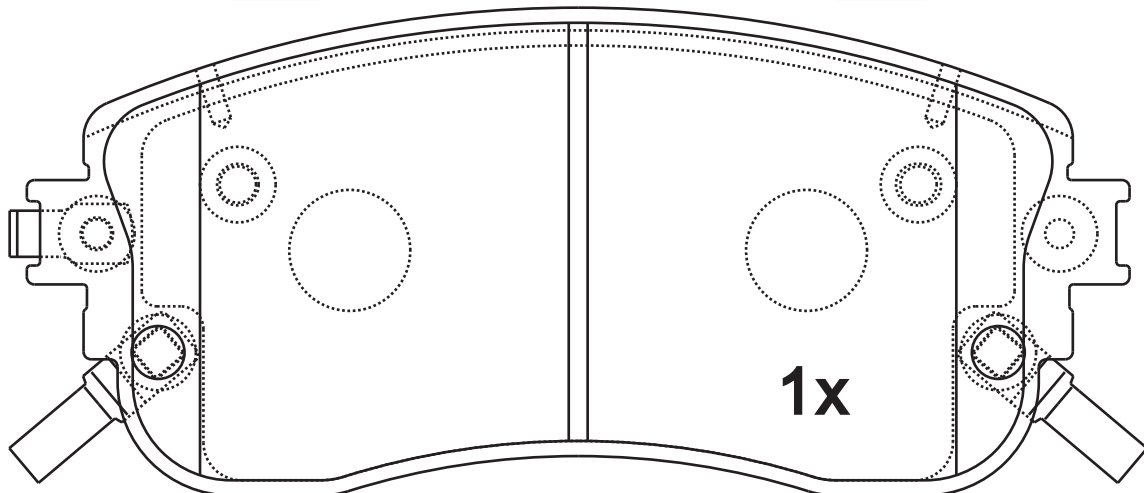
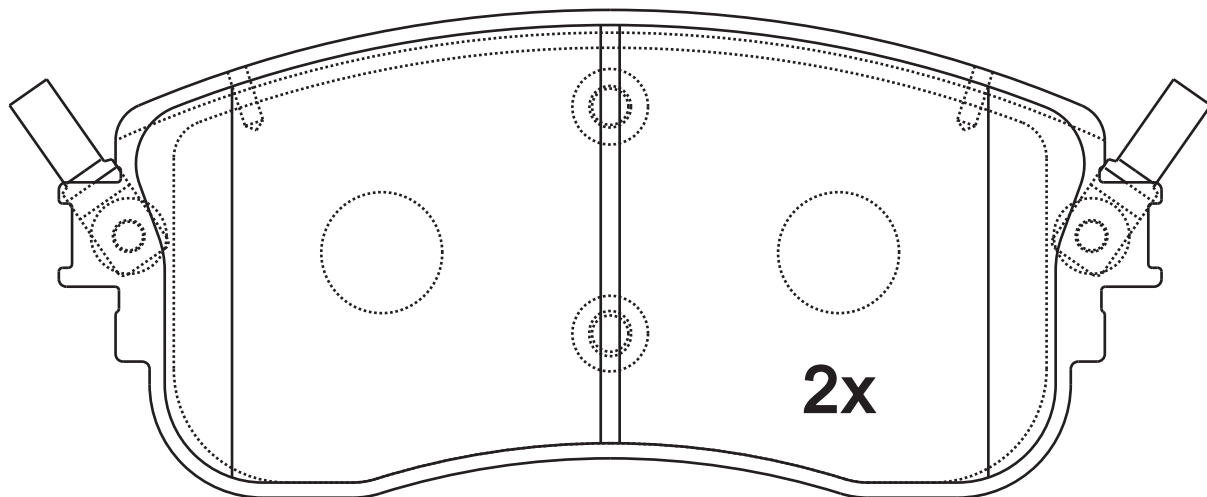
Thickness
(mm)

18.5



NOTE

2 identical; 2 identical, 1 with acoustic indicator (left), 1 with acoustic indicator (right).



Apply for:

Gac Trumpchi Gs7 280T

2017-

GDB8139

SR1198.01

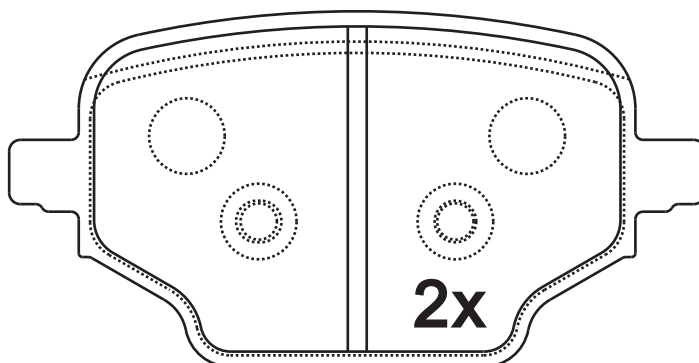
Dimension
(mm)

Thickness
(mm)

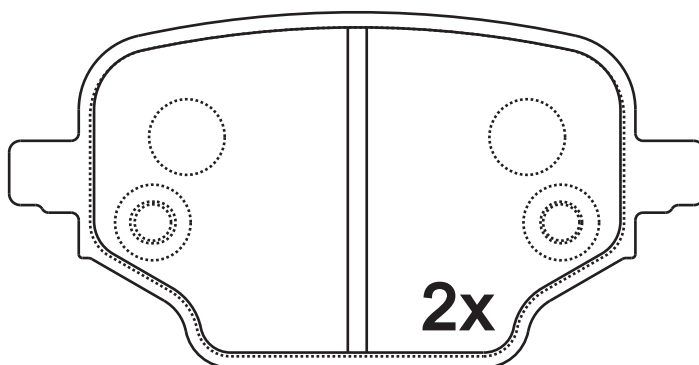


NOTE

2 identical ;2 identical



20764



20765

Apply for:

Citroen Berlingo (K9)
Opel Combo Box Body / Estate (X19)
Peugeot Partner Box (K9)
Toyota Proace City Box
Vauxhall Combo Box Body/Estate

2018/06-
2018/08-
2018/09-
2019/10-
2018/06-

SR1198.01

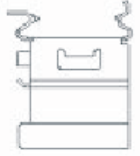
Dimension
(mm)

Thickness
(mm)



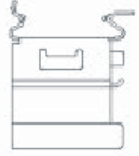
NOTE

附件包
Accessory bag



4x
x4

DX0049



4x
x4

DX0050



2x



M8X22
L0035

FJB1198.01

SR1199.01

Dimension
(mm)

148.7X60.7

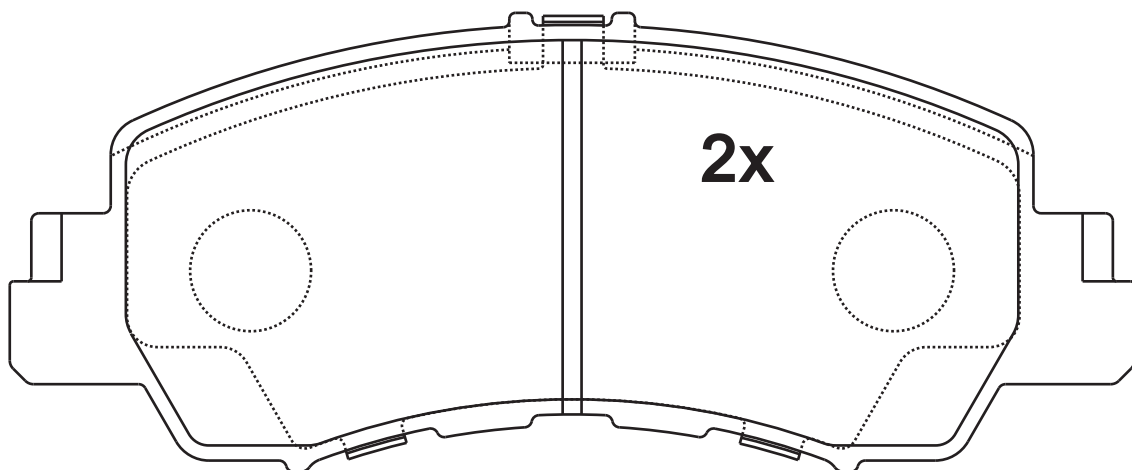
Thickness
(mm)

15.8

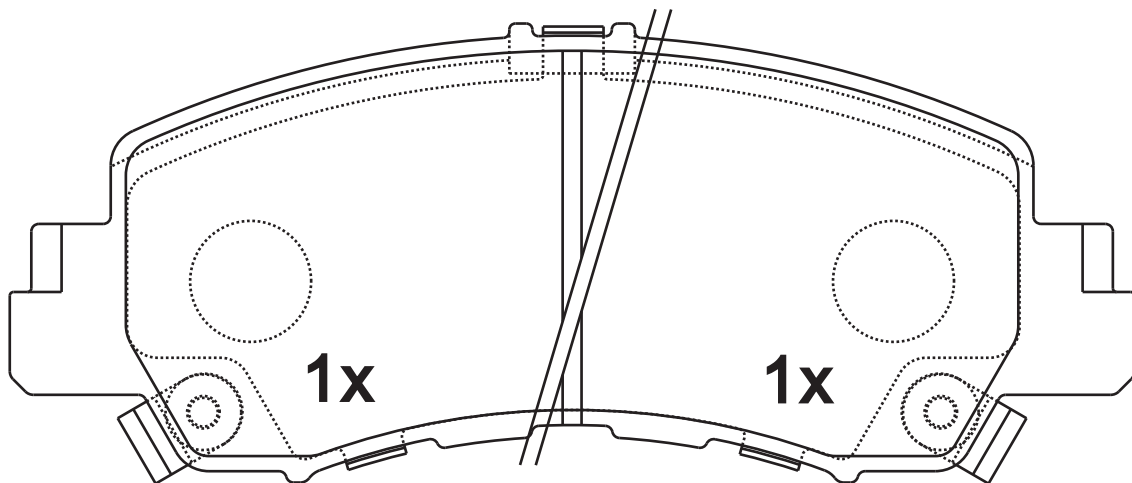


NOTE

4 identical, 1 with acoustic indicator (left), 1 with acoustic indicator (right).



20949



20969

21047

Apply for:

Mitsubishi Eclipse Cross (Gk_)

2017/10-

SR1200.01

Dimension
(mm)

174.7X85.5

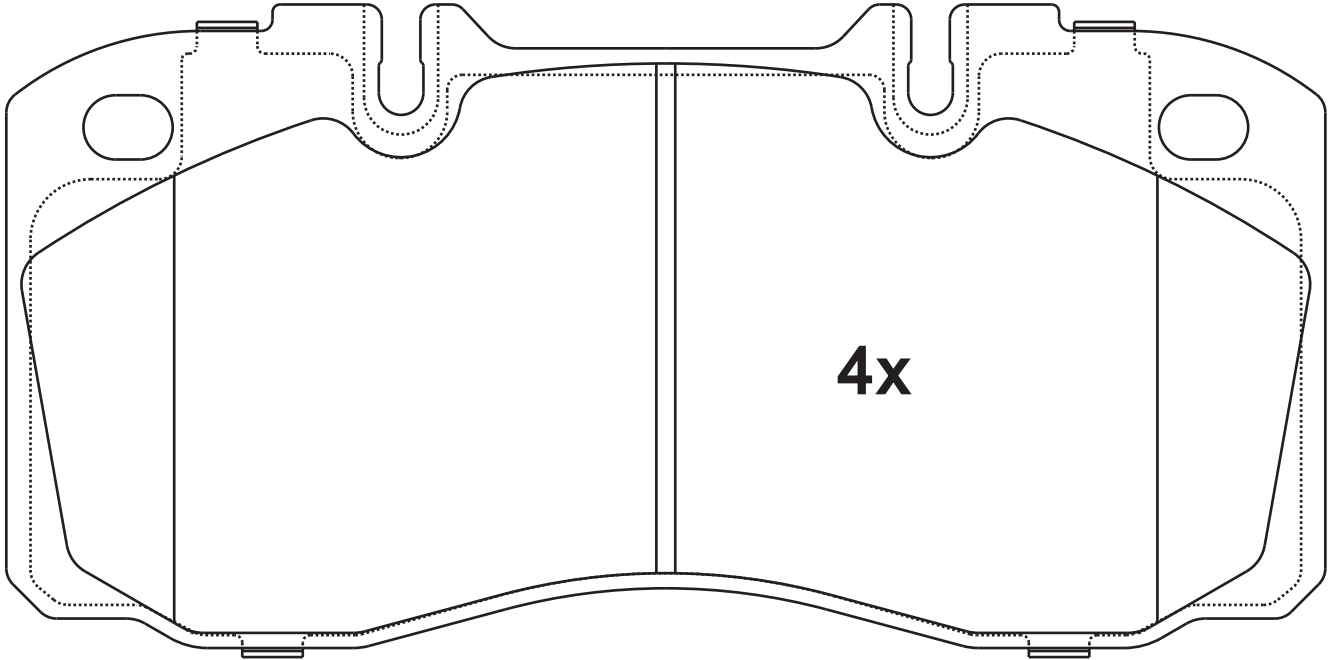
Thickness
(mm)

22.1



NOTE

4 identical;



29122

Apply for:

Iveco Eurocargo I-Iii

1991/01-2015/09

SR1200.01

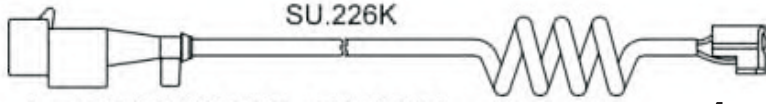
Dimension
(mm)

Thickness
(mm)



NOTE

附件包
Accessory bag



OE:42548195 **1x**

X0362A 总长 210mm

SR1201.01

Dimension
(mm)

Thickness
(mm)

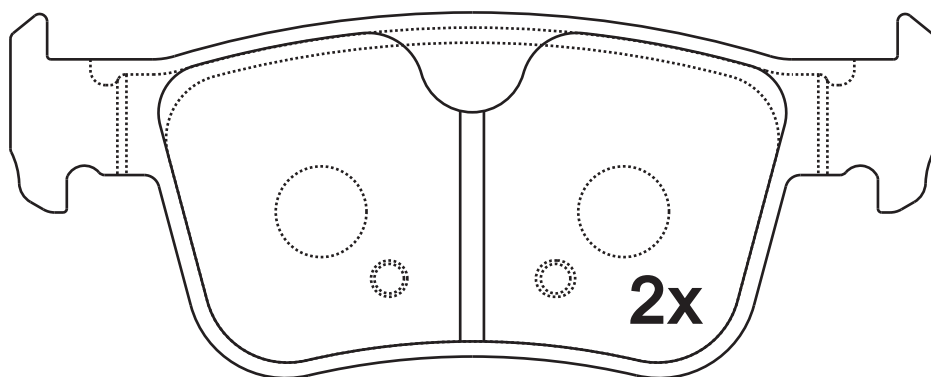


NOTE

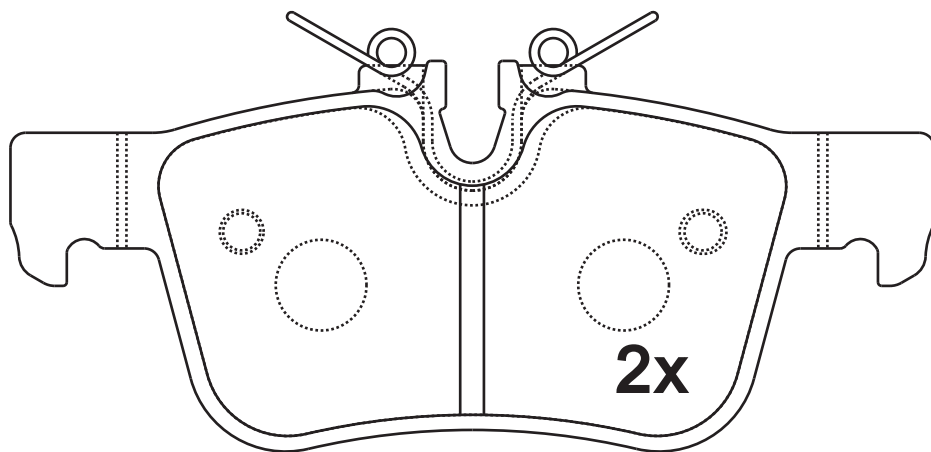
2 identical ;2 identical ;

122.2X48.3/51.6

16



22568



22582

Apply for:

Volvo S60 Iii (224)

Volvo V60 Ii (225)

Volvo V90 Ii Estate (235, 236)

2019/02-

2018/02-

2016/03-

SR1202.01

Dimension
(mm)

154.9X62.7

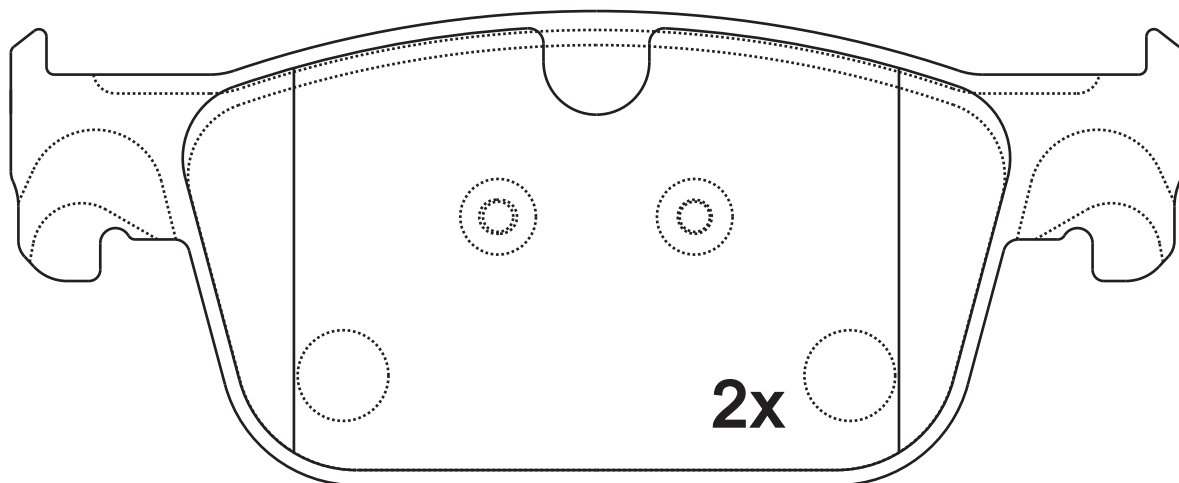
Thickness
(mm)

17.3

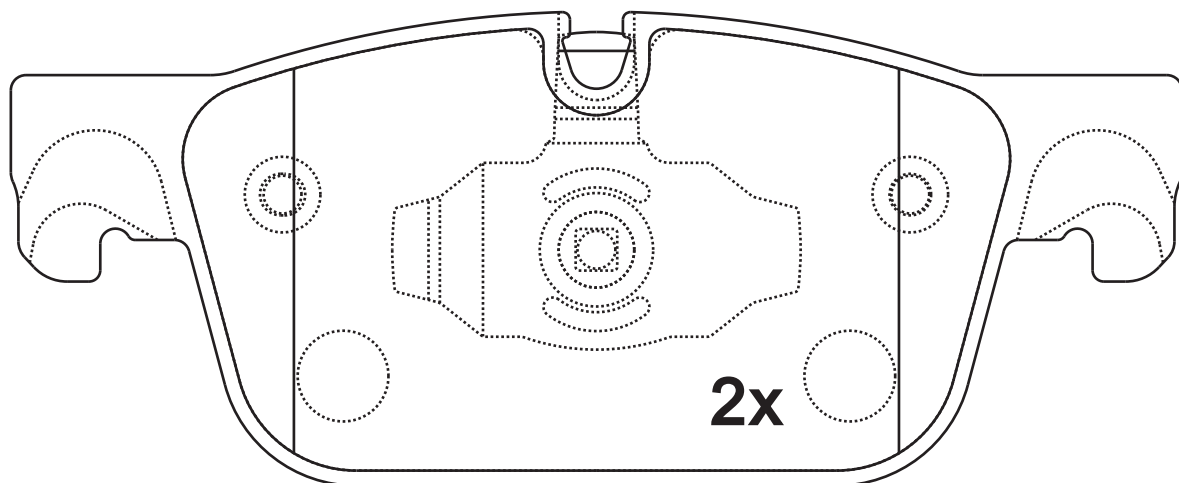


NOTE

2 identical ;2 identical ;



22098



22099

Apply for:

沃尔沃(富豪)	S90 II	(234)	2.0	2016-
沃尔沃(富豪)	S90 II	(234)	2.0 T4	2017-
沃尔沃(富豪)	S90 II	(234)	2.0 T5	2017-
沃尔沃(富豪)	S90 II	(234)	2.0 T6 AWD	2016-

SR1203.01

Dimension
(mm)

181.4X75
180.2X74.9

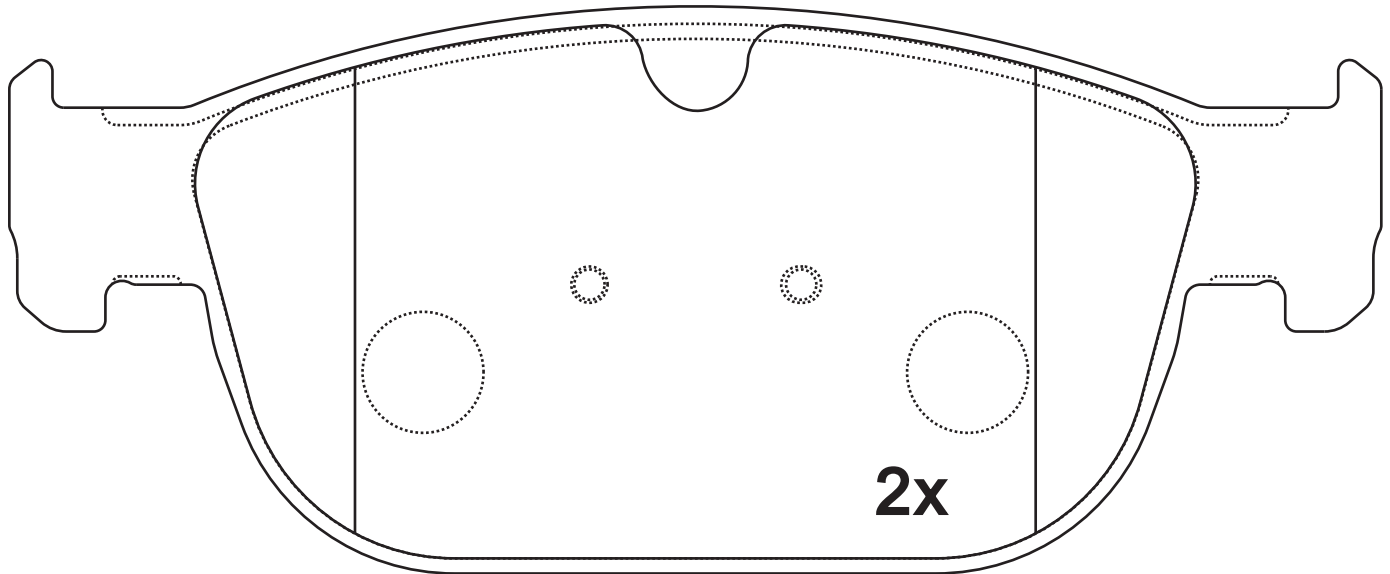
Thickness
(mm)

18.4

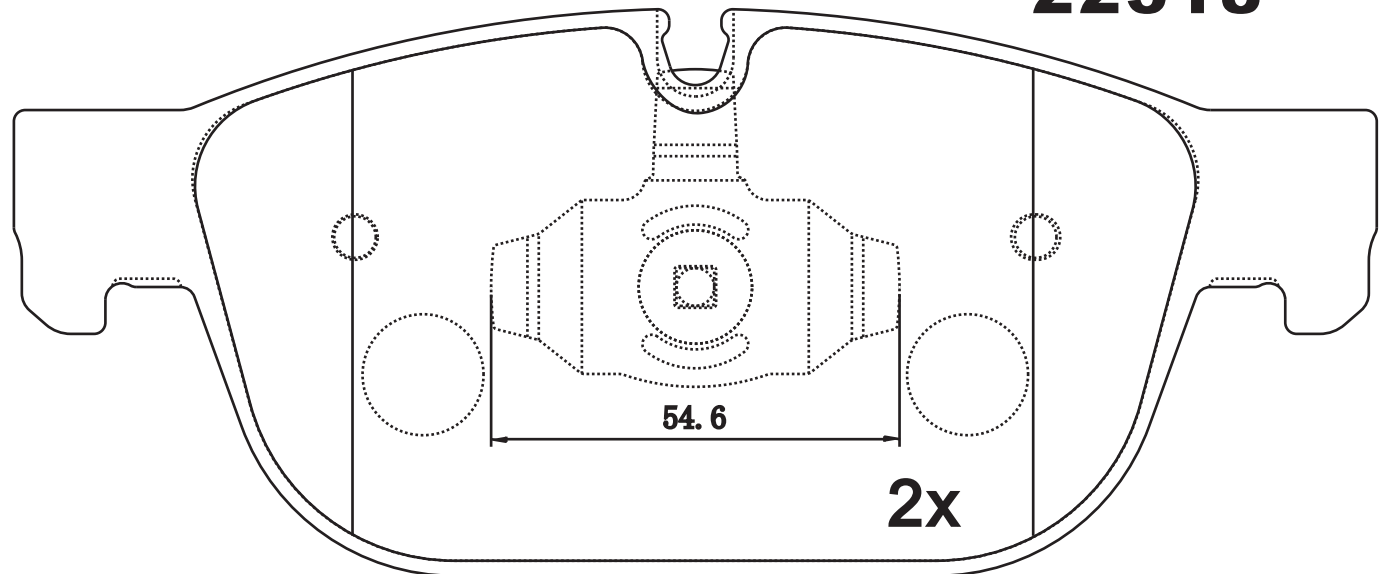


NOTE

2 identical ;2 identical ;



22318



22317

Apply for:

Volvo S90 Ii (234) 2.0	2016-
Volvo V90 Ii Estate (235, 236) D3 Awd	2016-
Volvo S90 Ii (234) T5	2016-

SR1204.01

Dimension
(mm)

176.9X56.8

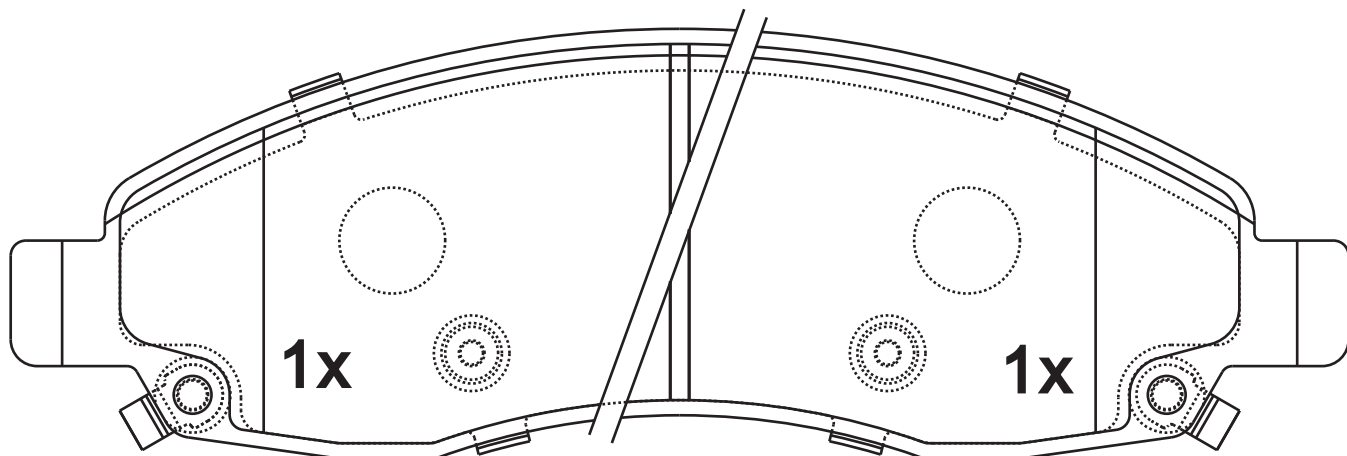
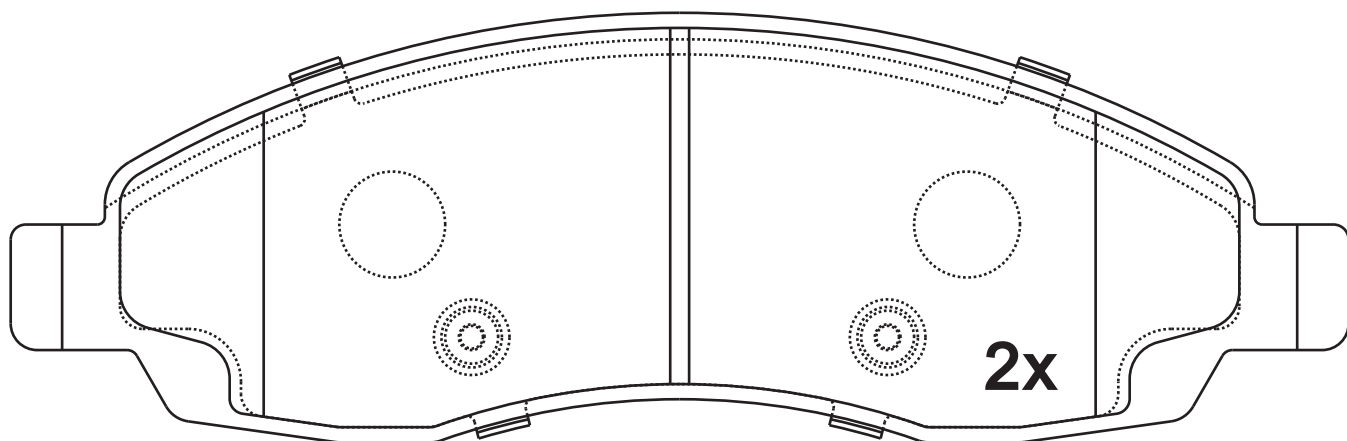
Thickness
(mm)

18



NOTE

2 identical;2 identical,1 with acoustic indicator (left),1 with acoustic indicator(right).



OE:CN6C152K021AA

Apply for:

江铃特顺 前片

SR1204

**Dimension
(mm)**

**Thickness
(mm)**



NOTE

附件包

Accessory bag

SR1205.01

Dimension
(mm)

160X56.6

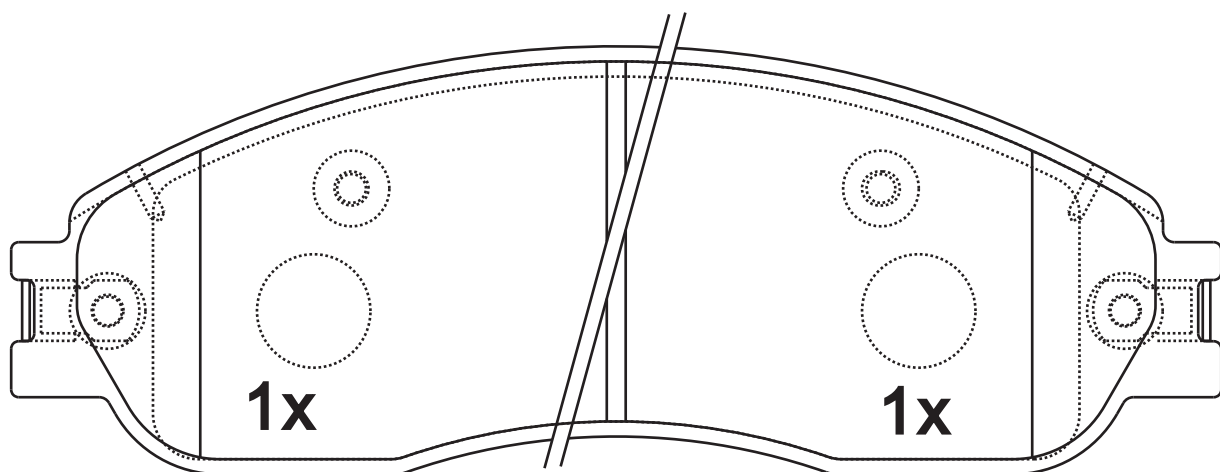
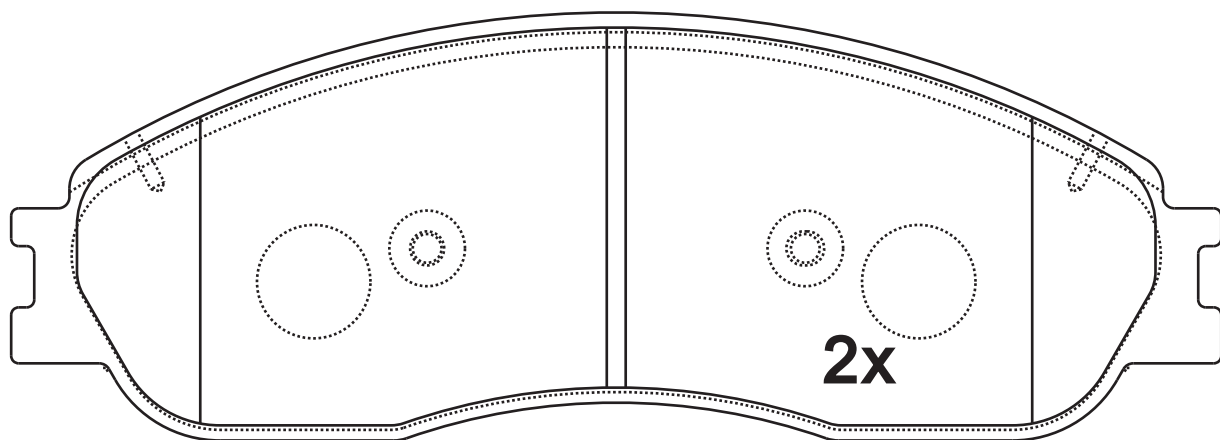
Thickness
(mm)

17.5



NOTE

2 identical; 2 identical, 1 with acoustic indicator (left), 1 with acoustic indicator (right).



OE : CN6C152K021

Apply for:

江铃特顺 前片

SR1206.01

Dimension
(mm)

134.6X81

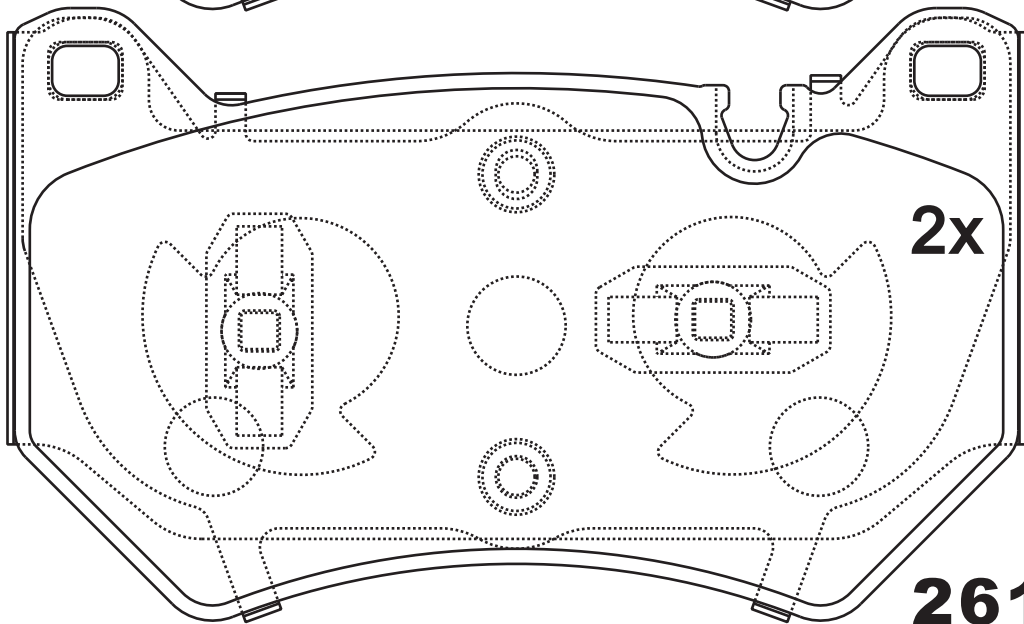
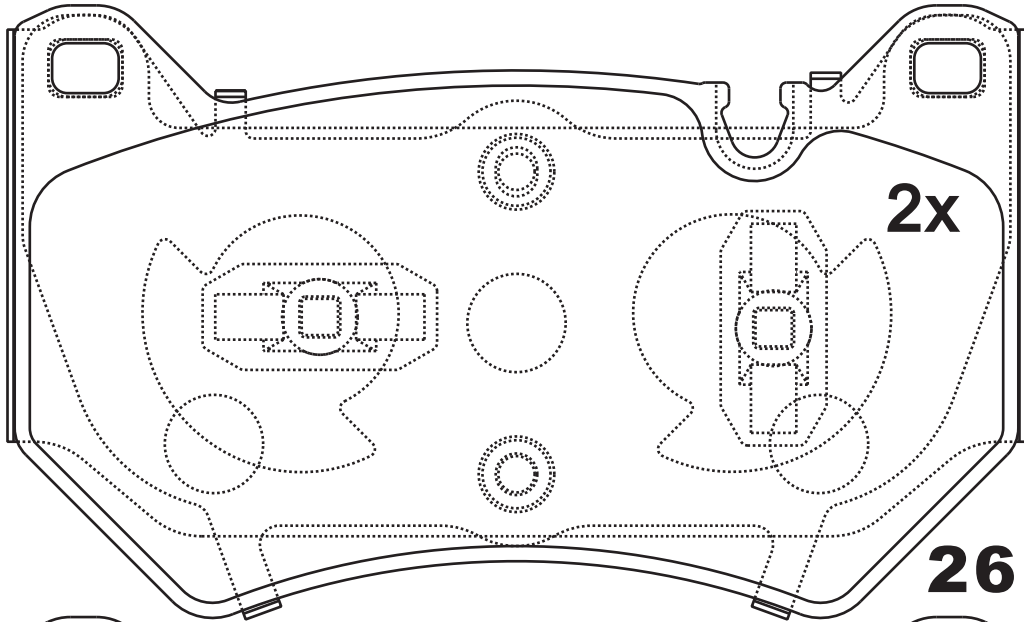
Thickness
(mm)

16.7



NOTE

2 identical;2 identical;



Apply for:

Audi Q5 (Fyb)

2016/05-

SR1206

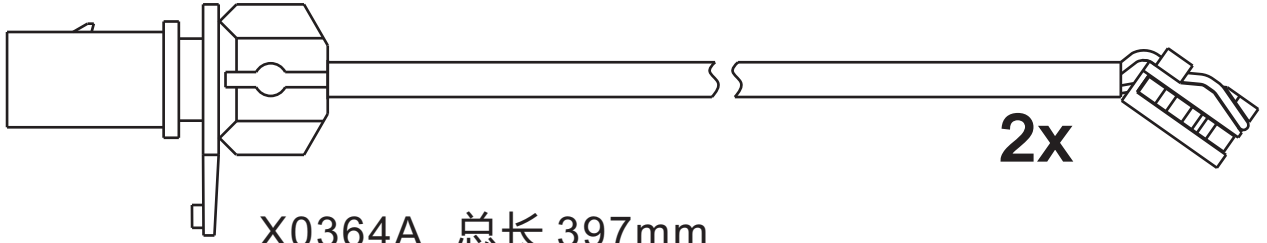
**Dimension
(mm)**

**Thickness
(mm)**



NOTE

附件包
Accessory bag



SR1207.01

Dimension
(mm)

135.5X70.1/72

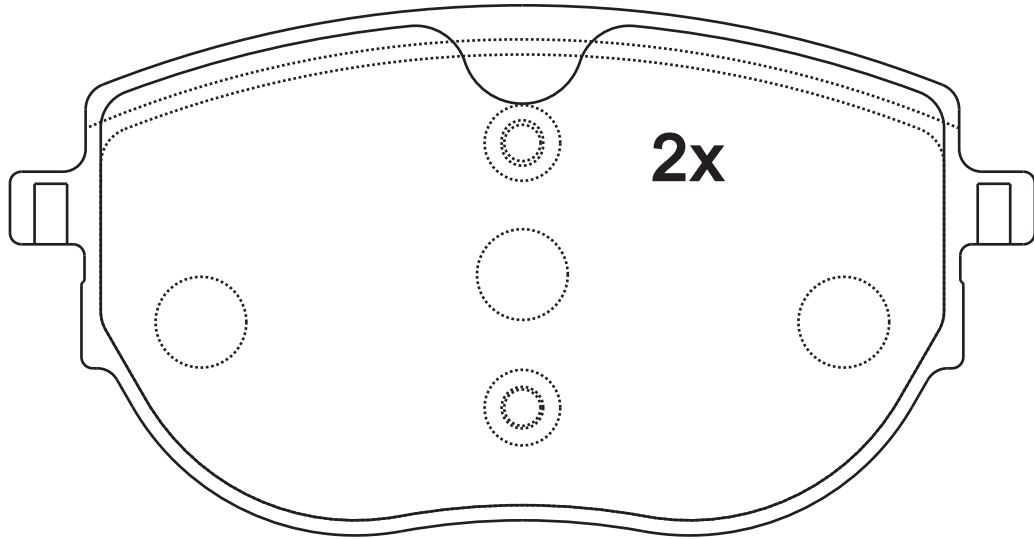
Thickness
(mm)

18

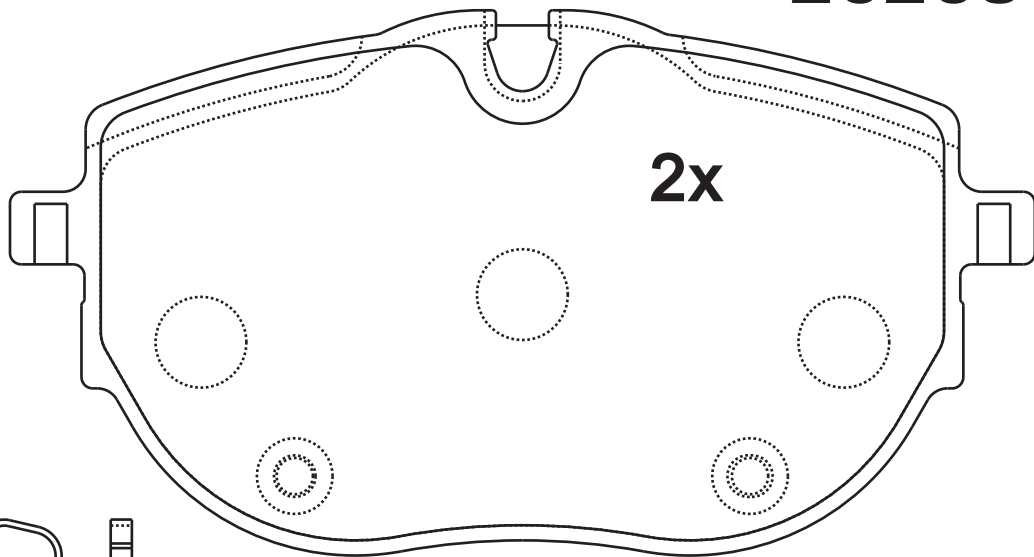


NOTE

2 identical;2 identical;



26268



26269



K0367



8x

Apply for:
VOLKSWAGEN

T5

SR1207

**Dimension
(mm)**

**Thickness
(mm)**



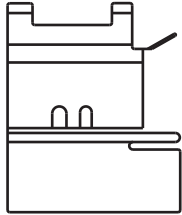
NOTE

**附件包
Accessory bag**

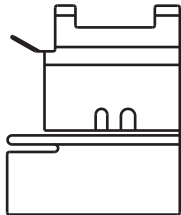


26*32.3*10.5

4x



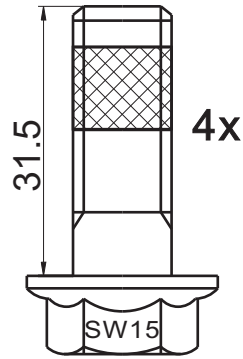
DX0029



4x

DX0028

FJB1115.01





M10X31.5

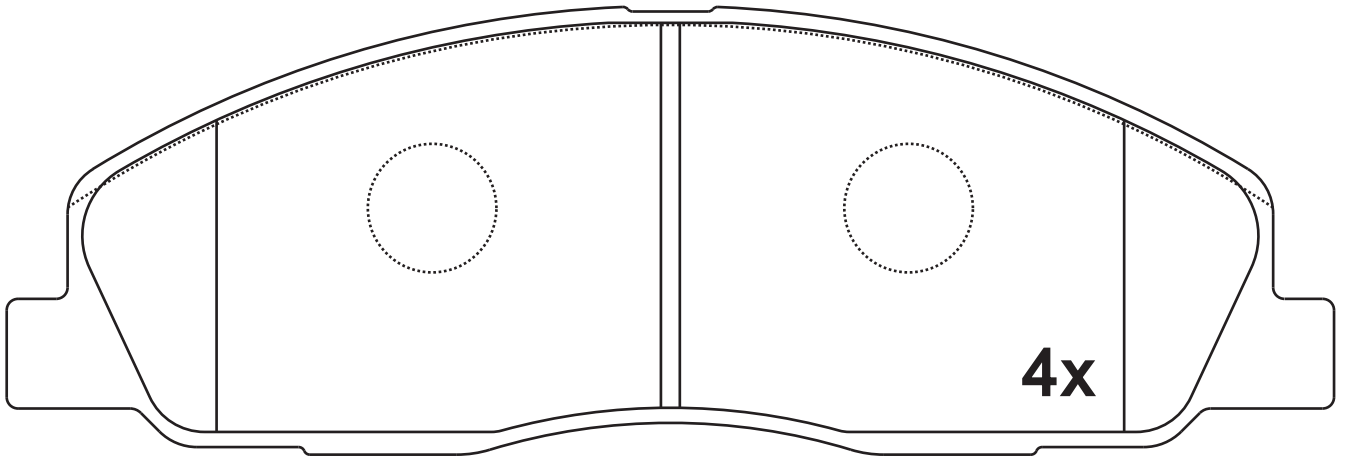
L0041



X0363A 总长 165mm

SR1208.01	Dimension (mm)	Thickness (mm)		NOTE 4 identical;
	175.5X59.2	17.6		

不帶減震片



Apply for:

SR1208.02

Dimension
(mm)

Thickness
(mm)



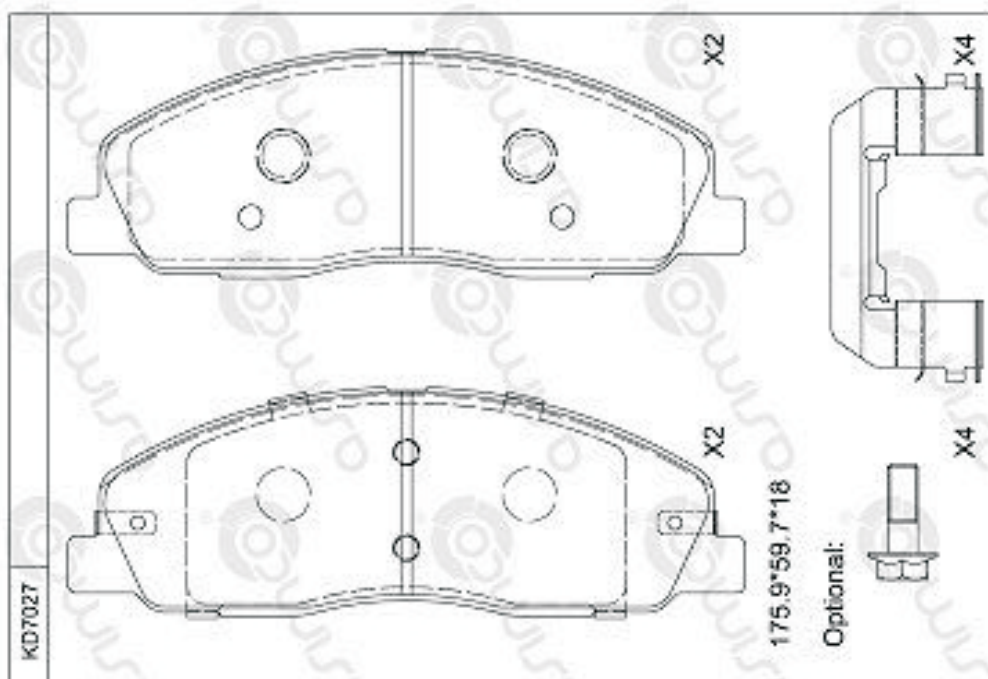
NOTE

2 identical;2 identical;

175.9X59.7

18

无模具



KD7027

A21R23-3501800-01

Apply for:
GAS

SR1209.01

Dimension
(mm)

118.4X50.8

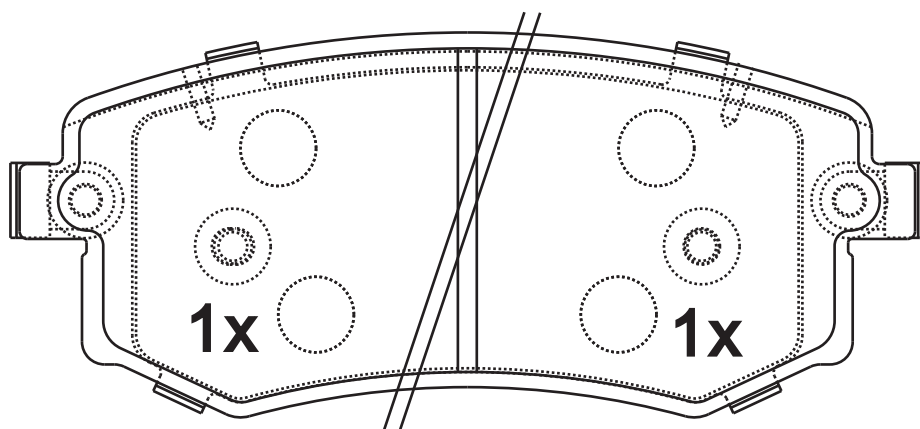
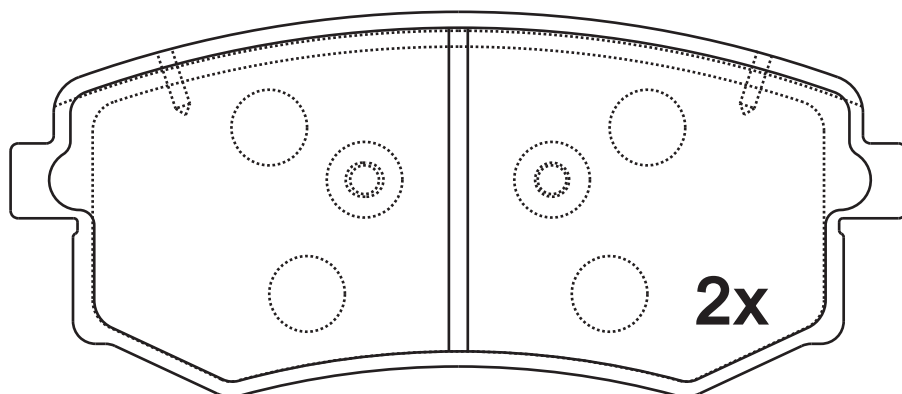
Thickness
(mm)

18.8/19.3



NOTE

2 identical; 2 identical, 1 with acoustic indicator (left), 1 with acoustic indicator (right).



Apply for:

江淮新星锐

R

SR1210.01

Dimension
(mm)

148.5X54.6

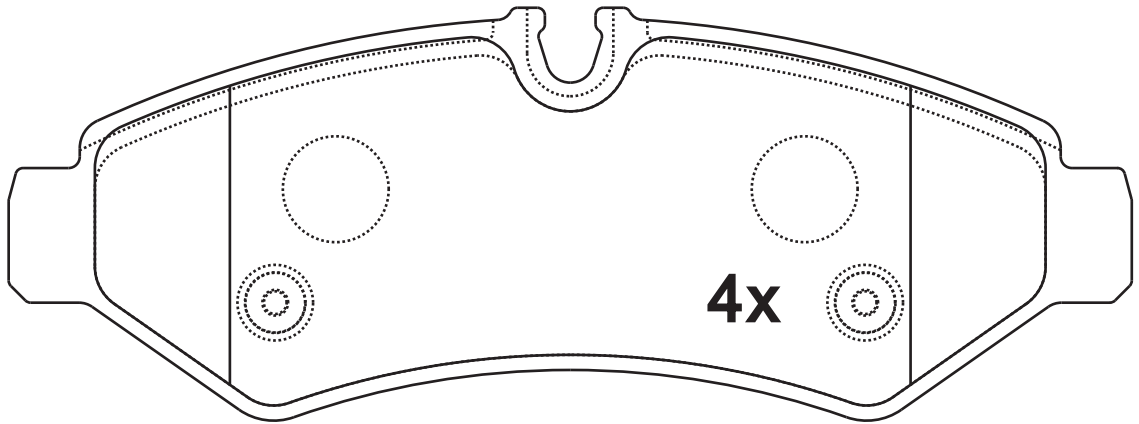
Thickness
(mm)

19.9



NOTE

4 identical;



20747

Apply for:

Mercedes BENZ SPRINTER 3.5-T 18-

Mercedes BENZ SPRINTER 3-T 18-

SR1210

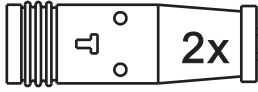
**Dimension
(mm)**

**Thickness
(mm)**



NOTE

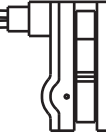
**附件包
Accessory bag**



2x

X0190C*2 总长104mm

FJB2X0190C



SR1211.01

Dimension
(mm)

106.4X45.1

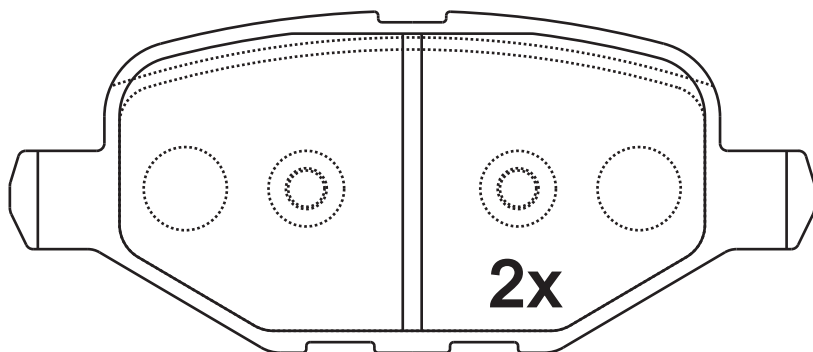
Thickness
(mm)

15.8

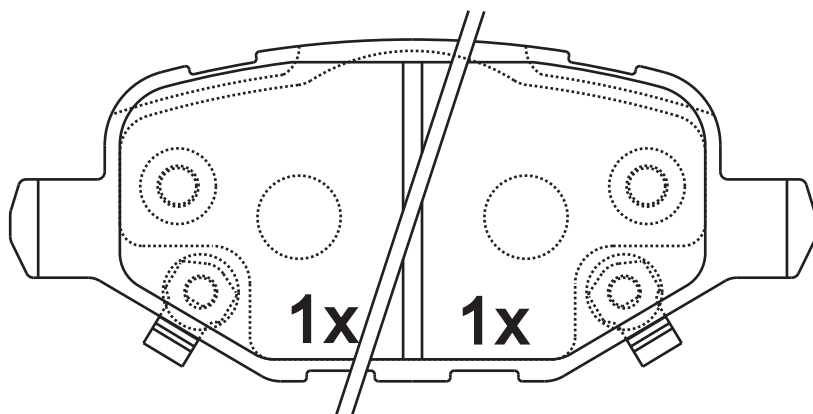


NOTE

2 identical; 2 identical, 1 with acoustic indicator (left), 1 with acoustic indicator (right).



26354



26356

26355

Apply for:

雪佛兰:创酷后

2019-

SR1212.01

Dimension
(mm)

139.5X54.1/56.2

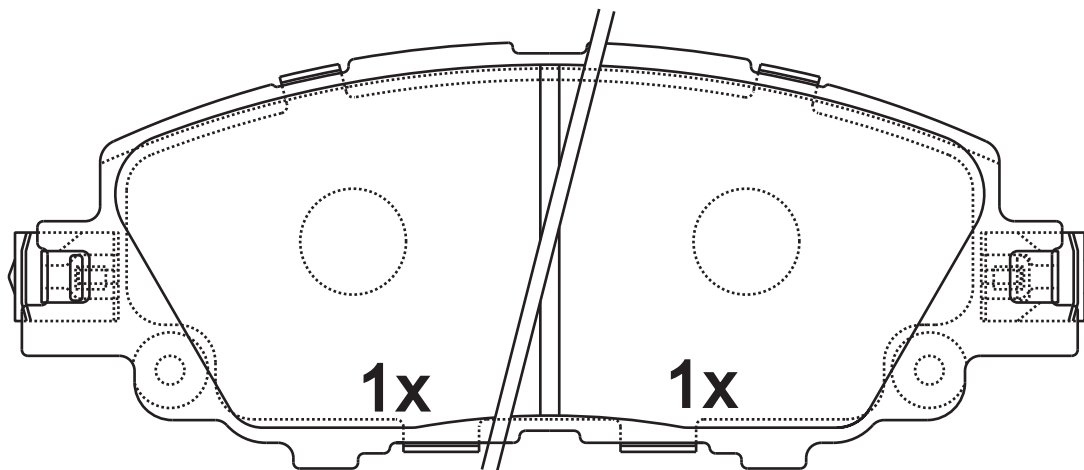
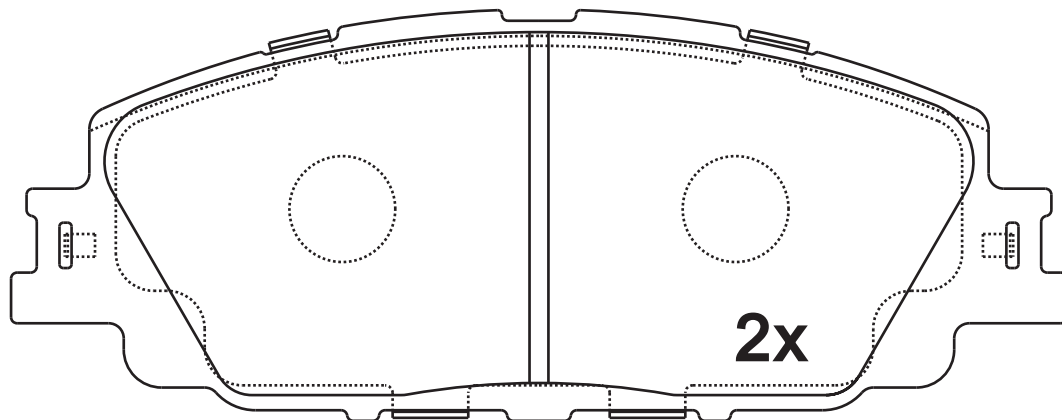
Thickness
(mm)

17.3



NOTE

2 identical; 2 identical, 1 with acoustic indicator (left), 1 with acoustic indicator (right).



GD9048

Apply for:

新卡罗拉前 2019-

SR1213.01

Dimension
(mm)

130X60.6

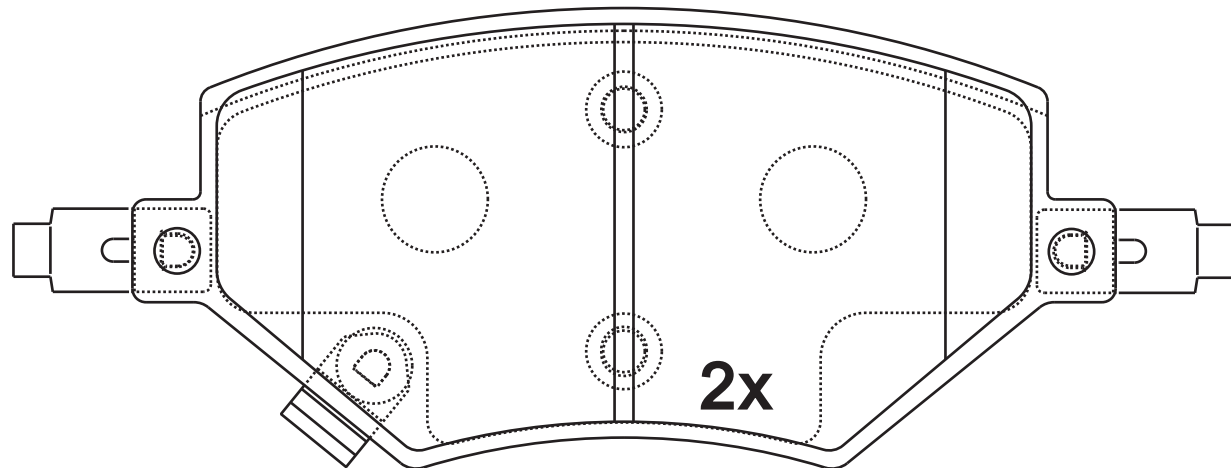
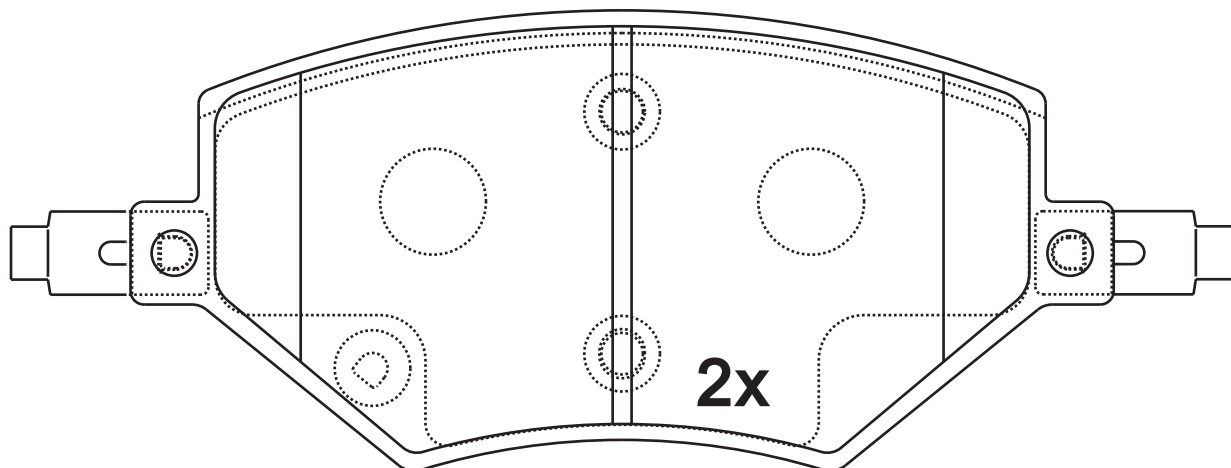
Thickness
(mm)

17.3



NOTE

**4 identical, 2 identical
with warn indicator.**



OE:23623675

OE:23623671

Apply for:
宝骏RS5前 2019-

SR1214.01

Dimension
(mm)

148.1x59.9
148.1*65.9

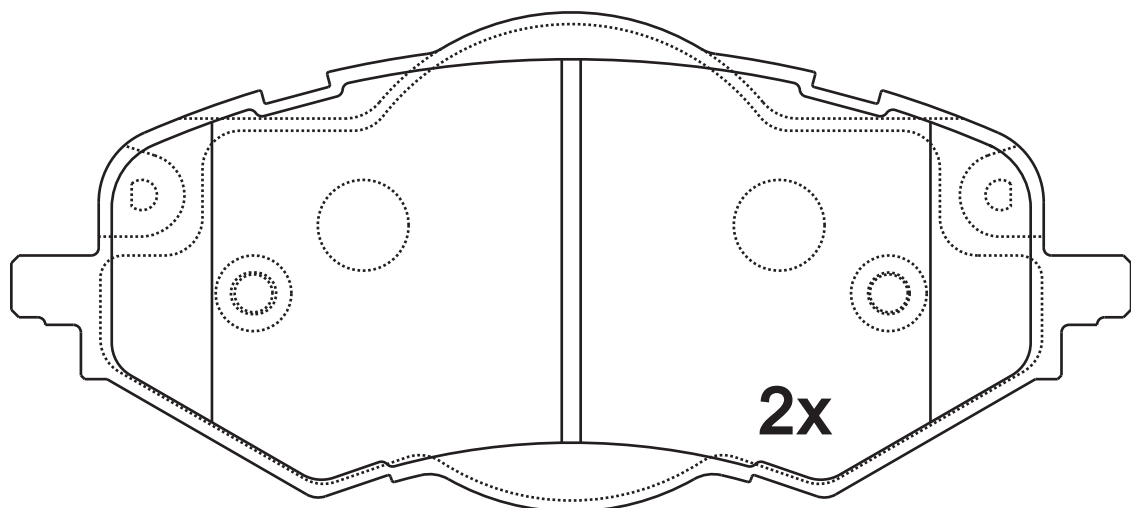
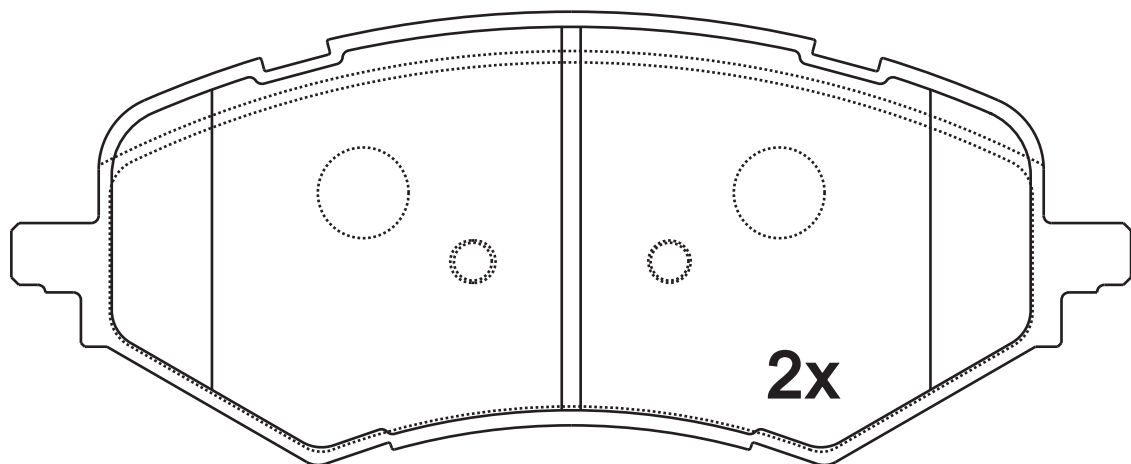
Thickness
(mm)

18.3



NOTE

2 identical;2 identical;



OE:B013148

Apply for:

风神奕炫前 2020-

SR1215.01

Dimension
(mm)

Thickness
(mm)

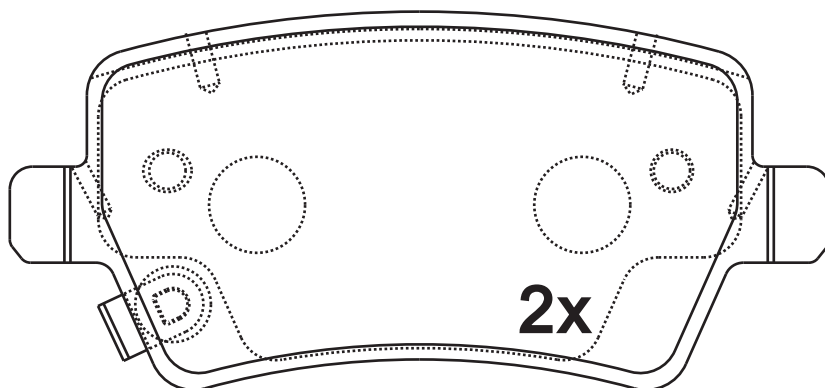
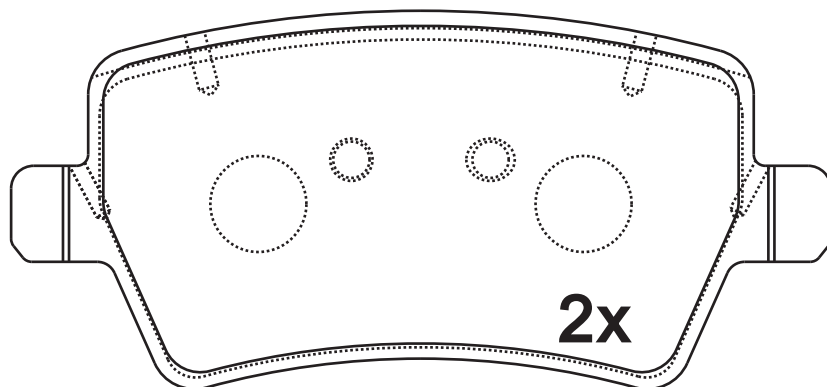


NOTE

**4 identical, 2 identical
with warn indicator.**

108.4x50

15.8



OE:35020200C02B00

Apply for:

Baic Huansu H6 1.5	2016-
Bisu M3 1.5	2016-
Chery Tiggo 5X 1.5	2019-
Jetour X90 1.5	2019-

SR1216.01

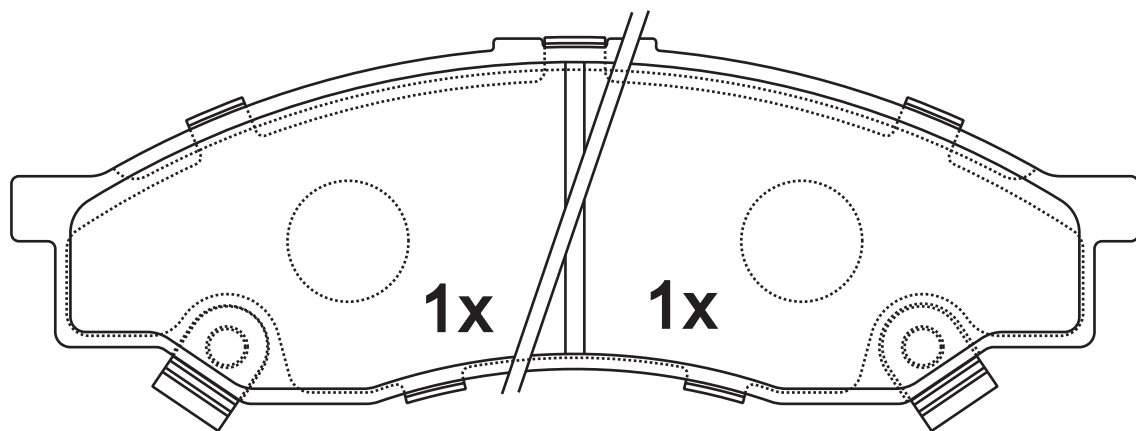
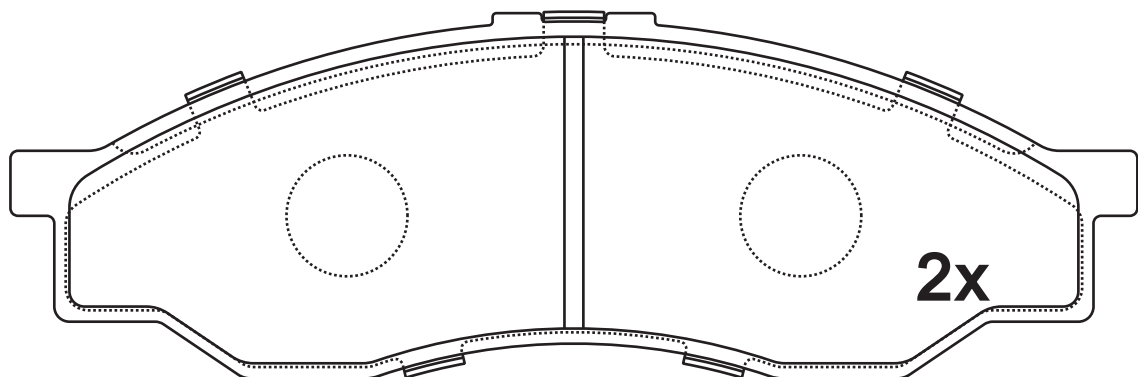
Dimension
(mm)

Thickness
(mm)



NOTE

2 identical; 2 identical,
1 with acoustic indicator
(left), 1 with acoustic
indicator (right).



ZDP-834

Apply for:
18款长安跨越T3前

SR1217.01

Dimension
(mm)

Thickness
(mm)

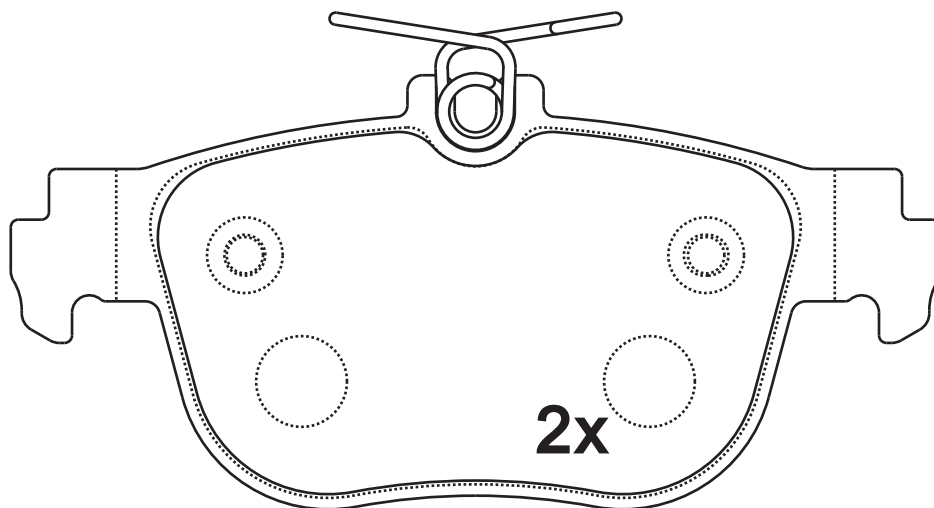
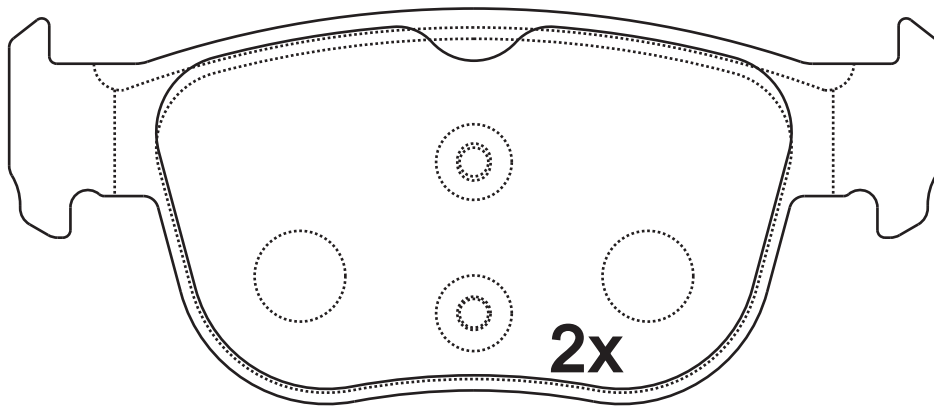


NOTE

2 identical;2 identical,

122.9x52.3/57.4

16



OE:8Y0698451

Apply for:

Audi A3 Limousine (8Ys)

2020/04-

Skoda Octavia Iv (Nx3)

2020/01-

Volkswagen Caddy V Box Body/Mpv (Sba, Sbh)

2020/09-

SR1217

**Dimension
(mm)**

**Thickness
(mm)**



NOTE

**附件包
Accessory bag**



4x

T0072

FJB1217.01

SR1218.01

Dimension
(mm)

141.7x58.7

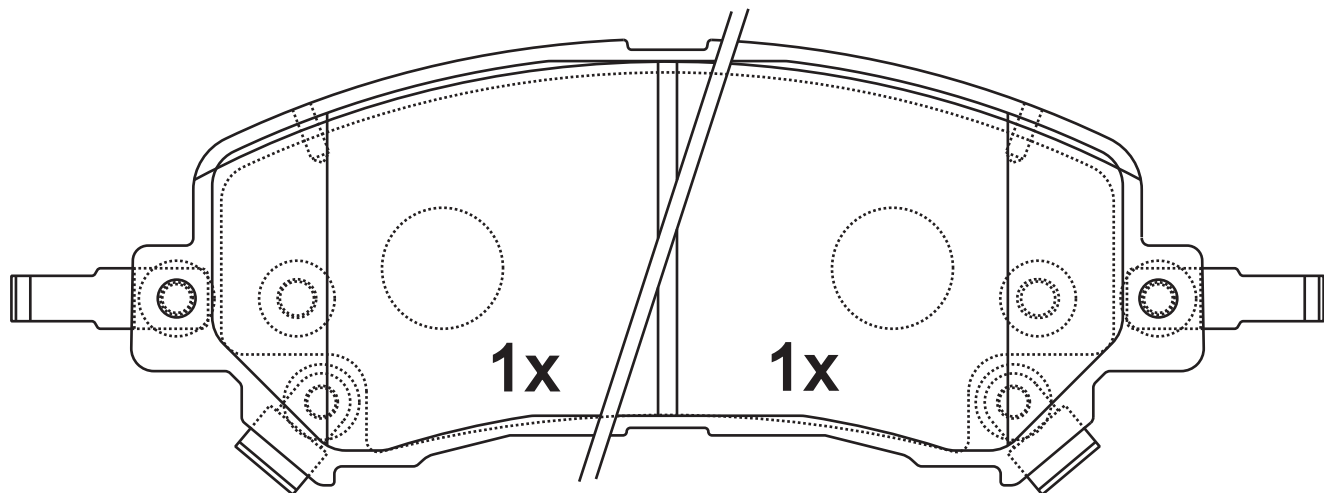
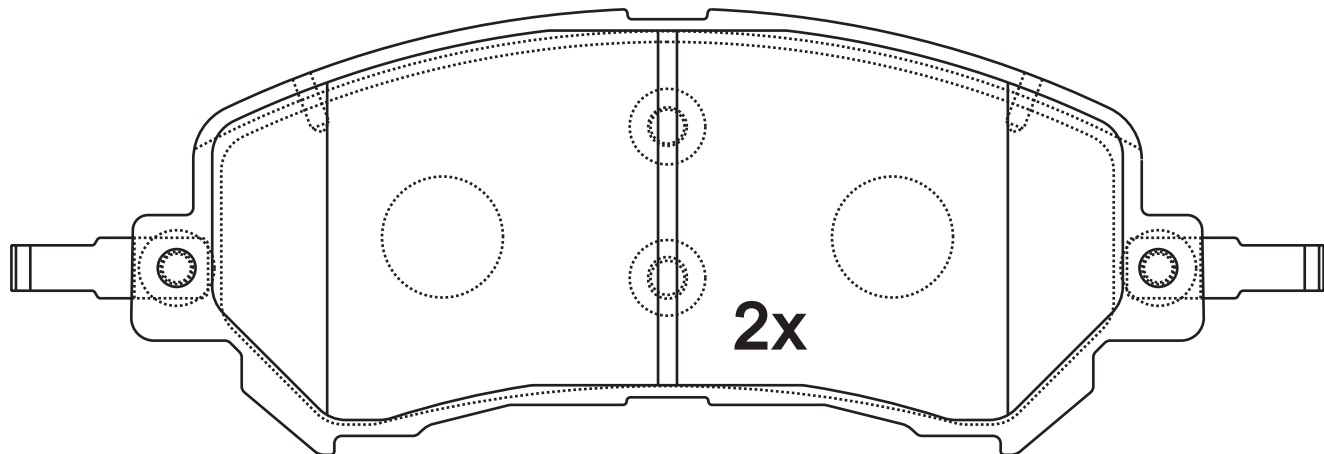
Thickness
(mm)

18.4



NOTE

**2 identical;2 identical,
1 with acoustic indicator
(left),1 with acoustic
indicator(right).**



GD297

Apply for:
传祺GS5

SR1219.01

Dimension
(mm)

117x52.5

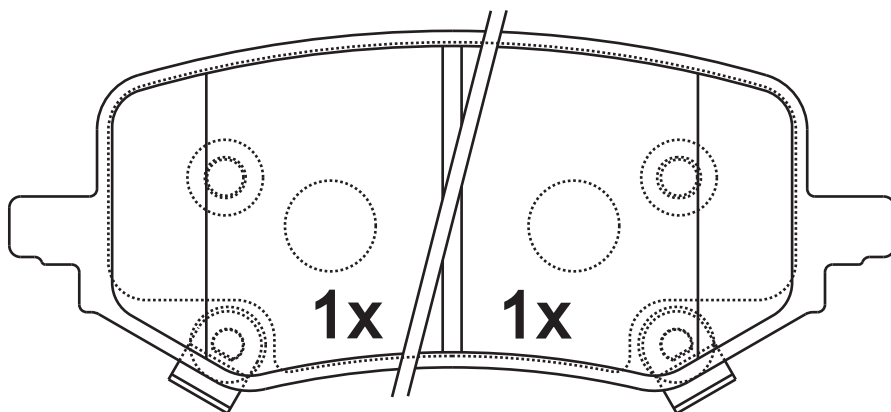
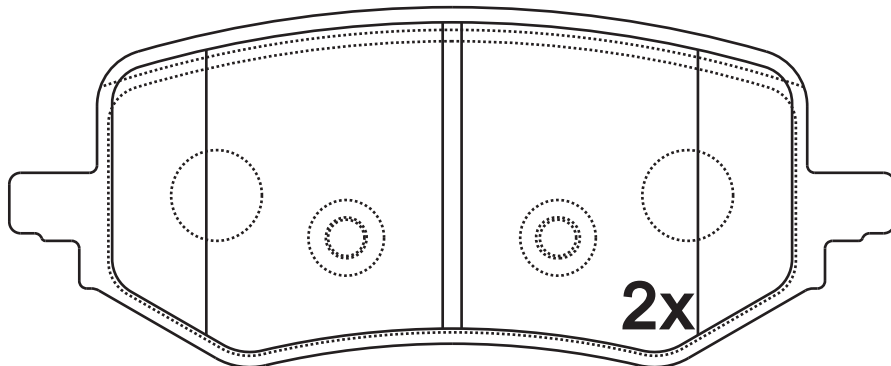
Thickness
(mm)

16.3



NOTE

2 identical; 2 identical,
1 with acoustic indicator
(left), 1 with acoustic
indicator (right).



GD9016

Apply for:
传祺GM6

SR1220.01

Dimension
(mm)

99x49.6

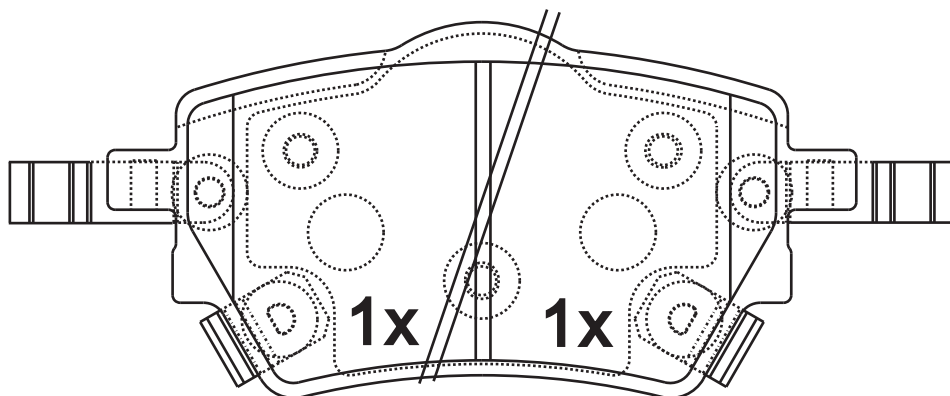
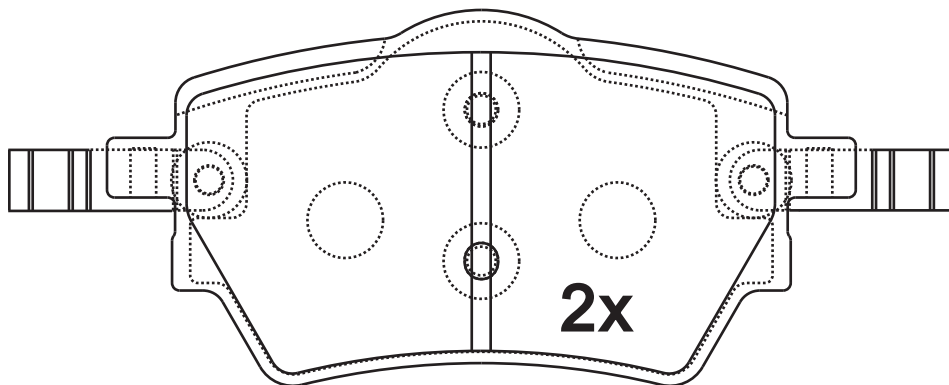
Thickness
(mm)

16.3



NOTE

2 identical; 2 identical,
1 with acoustic indicator
(left), 1 with acoustic
indicator (right).



FJB8K0545

GD9082

Apply for:
传祺GA6-2019

SR1221.01

Dimension
(mm)

Thickness
(mm)

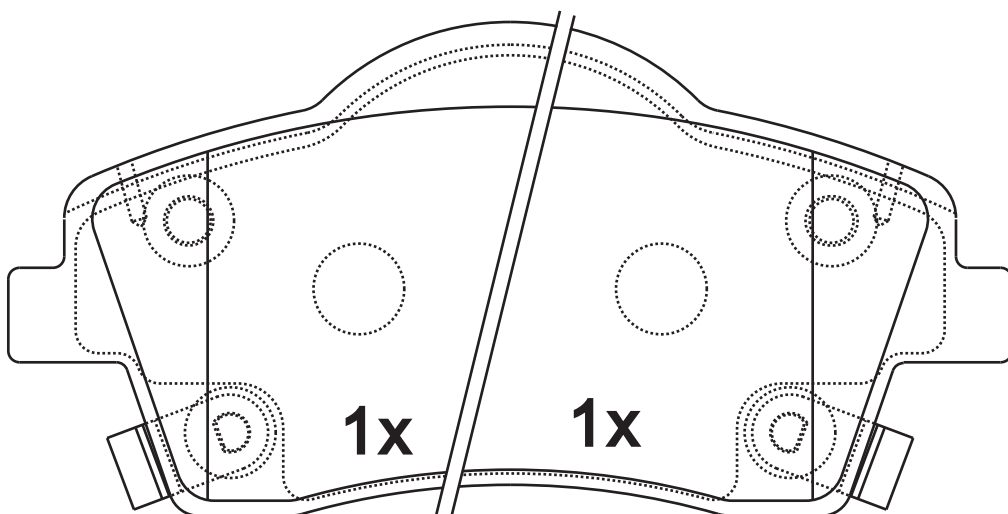
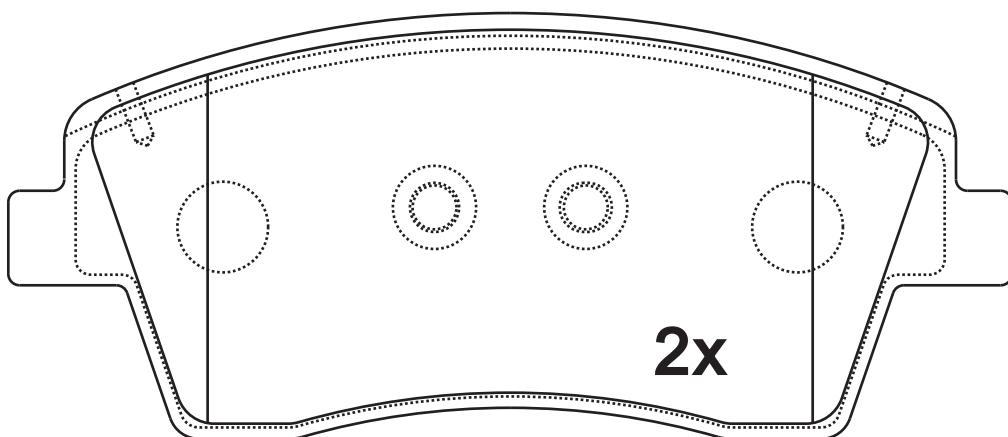


NOTE

2 identical; 2 identical,
1 with acoustic indicator
(left), 1 with acoustic
indicator (right).

132.6x56.1/65.6

18



GD251

Apply for:

吉利：领克01

SR1222.01

Dimension
(mm)

Thickness
(mm)

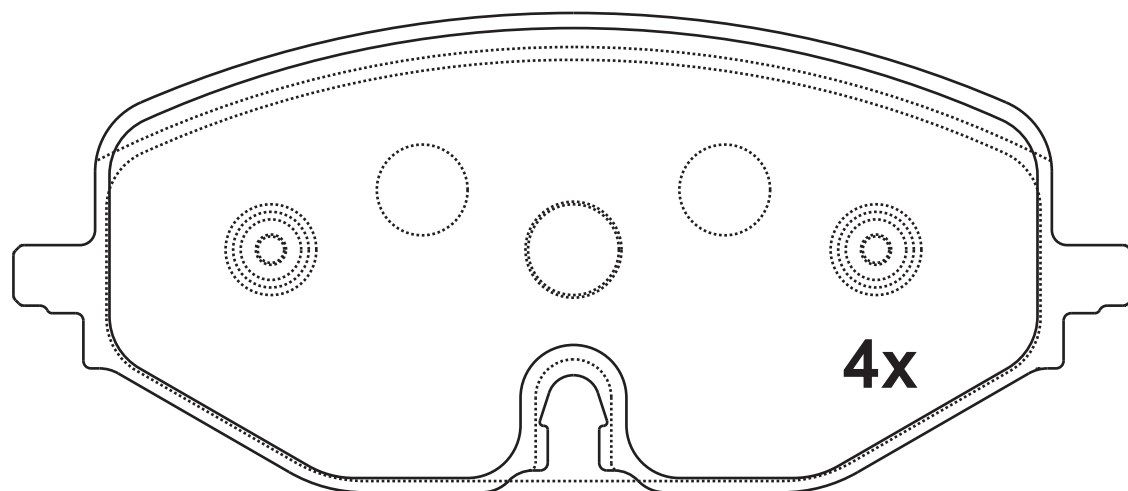


NOTE

**2 identical;2 identical,
1 with acoustic indicator
(left),1 with acoustic
indicator(right).**

148.2x63.5

18.9



26169

Apply for:

Skoda Octavia Iv (Nx3)

2020/01-

Volkswagen Caddy V Box Body/Mpv (Sba, Sbh)

2020/09-

SR1222

**Dimension
(mm)**

**Thickness
(mm)**



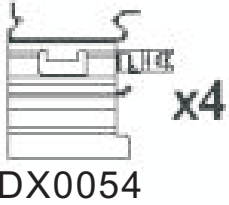
NOTE

**附件包
Accessory bag**



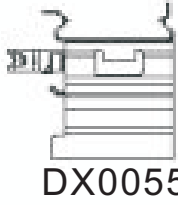
170 mm

FJB1X0007C



x4

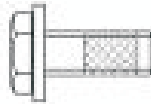
DX0054



x4

DX0055

M8 x 22



x4

M8X22

L0035

FJB1222.01

170 mm

8V0615437

2x



FJB2X0007C

SR1223.01

Dimension
(mm)

92x51.6/55.3

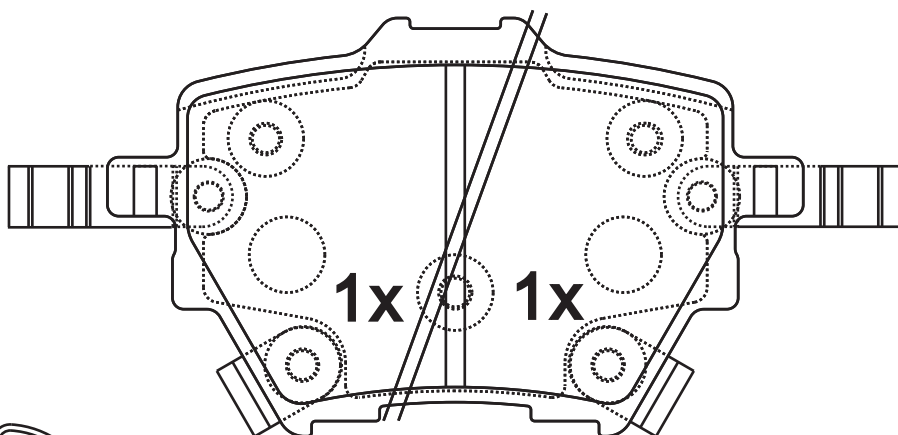
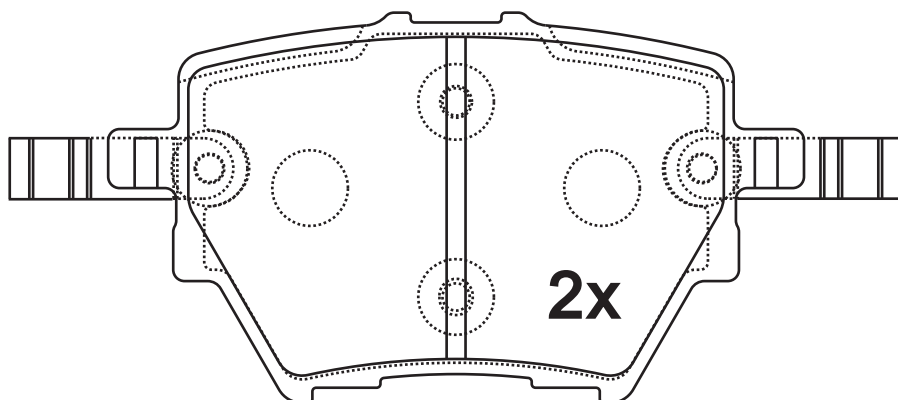
Thickness
(mm)

17.7



NOTE

2 identical; 2 identical, 1 with acoustic indicator (left), 1 with acoustic indicator (right).



FJB8K0545

GD299

Apply for:
传祺GS5

SR1224.01

Dimension
(mm)

Thickness
(mm)

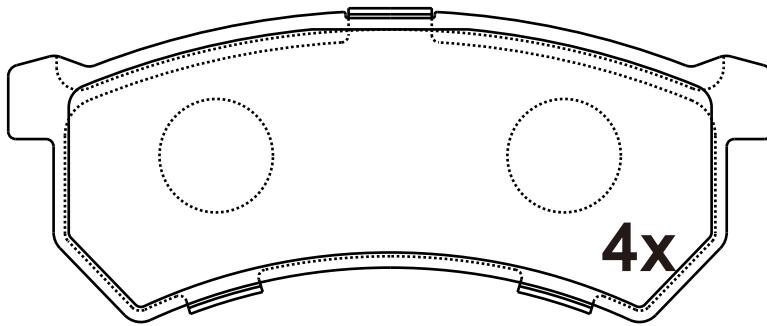


NOTE

4 identical;

101x41

15.4



26141

Apply for:

雷诺 (进口) KWID 1.0 16-

SR1224

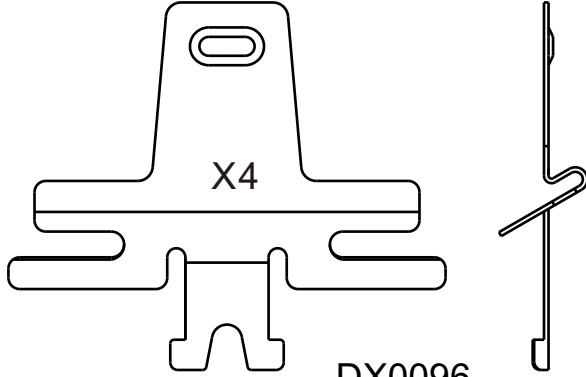
**Dimension
(mm)**

**Thickness
(mm)**



NOTE

**附件包
Accessory bag**



DX0096
FJB1224. 01

SR1225.01

Dimension
(mm)

219x84.7

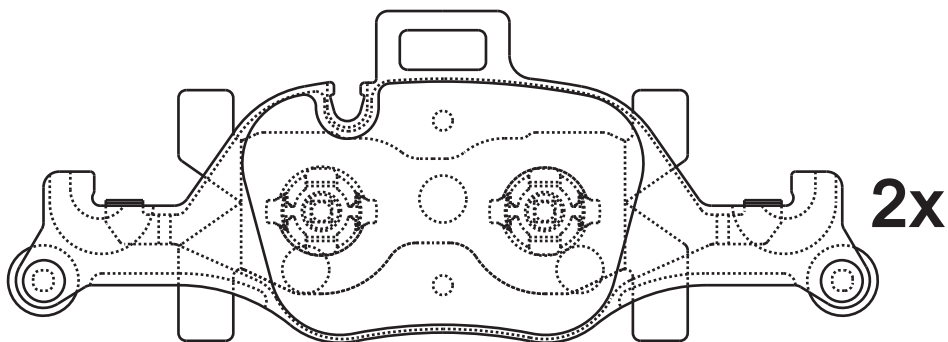
Thickness
(mm)

19.5

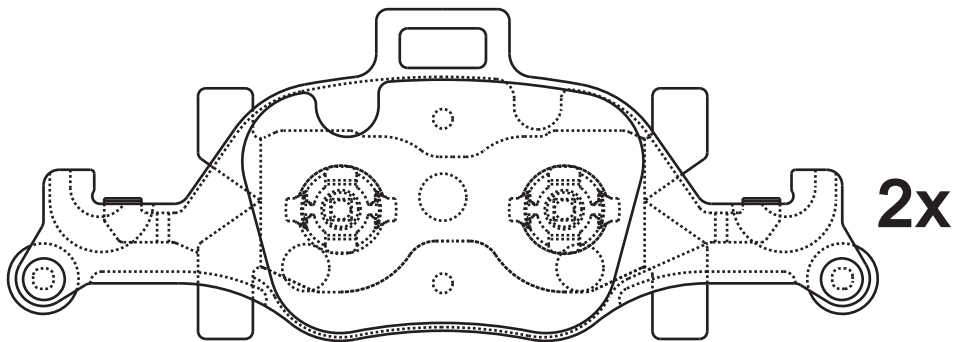


NOTE

2 identical;2 identical



25900



25901

Apply for:
宝马 (进口)

SR1225

**Dimension
(mm)**

**Thickness
(mm)**



NOTE

**附件包
Accessory bag**



2x



X0223A总长915mm

FJB2X0223A

SR1226.01

Dimension
(mm)

110.7x42.6

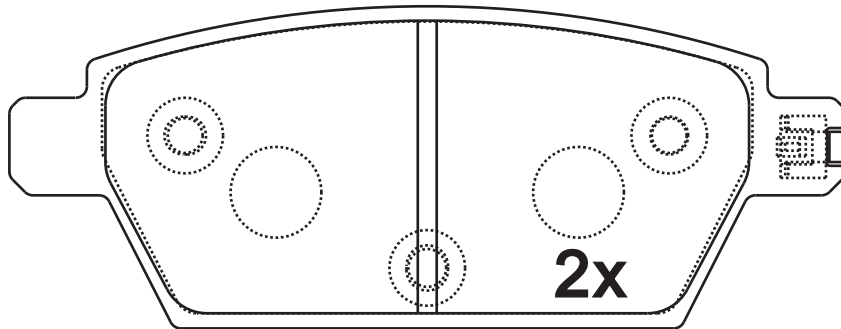
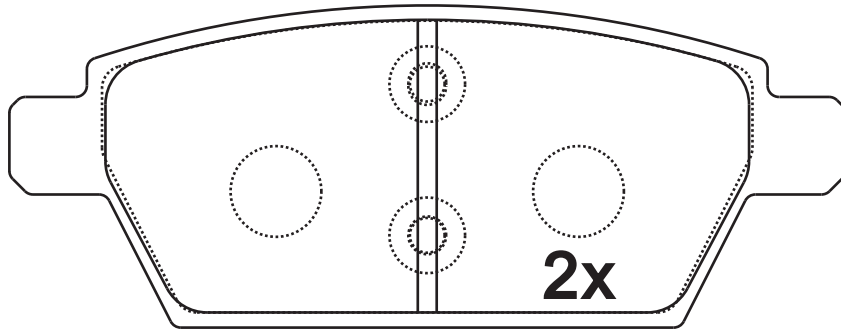
Thickness
(mm)

14



NOTE

2 identical; 2 identical



Apply for:
FAW-汽奔腾T33

SR1227.01

Dimension
(mm)

173.2X60.1

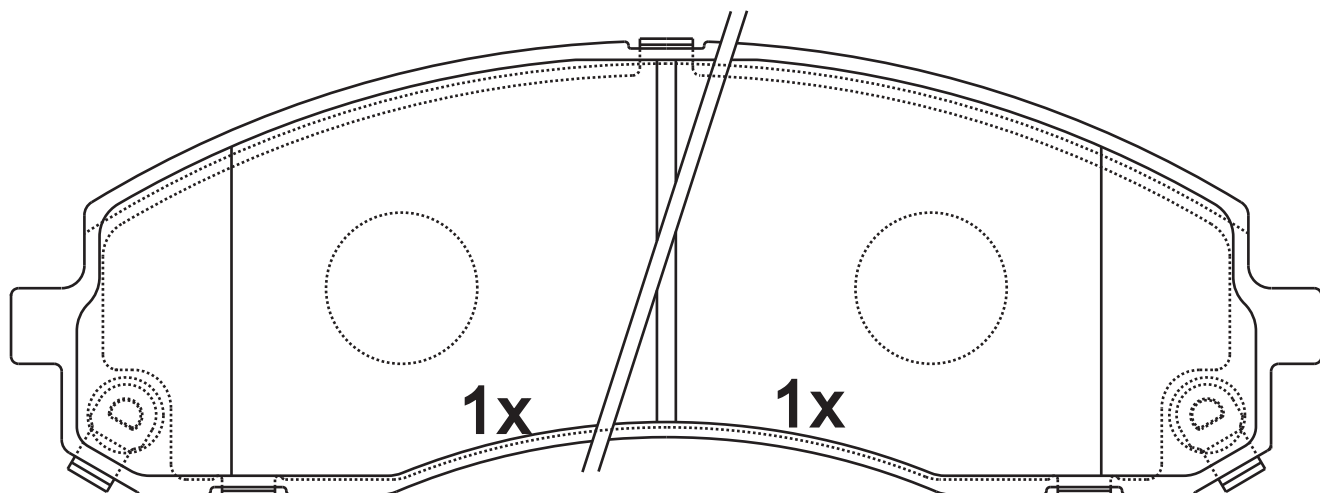
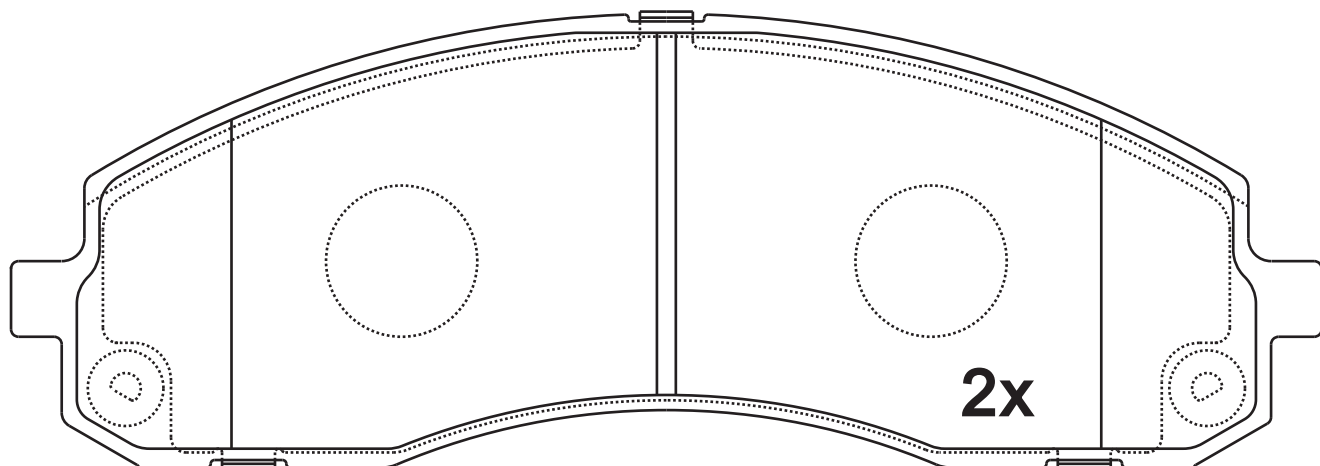
Thickness
(mm)

21



NOTE

2 identical;2 identical,1 with acoustic indicator (left),1 with acoustic indicator(right).



Apply for:

江淮JAC HFC 1035 前片

SR1228.01

Dimension
(mm)

150.1/149.3X57.3

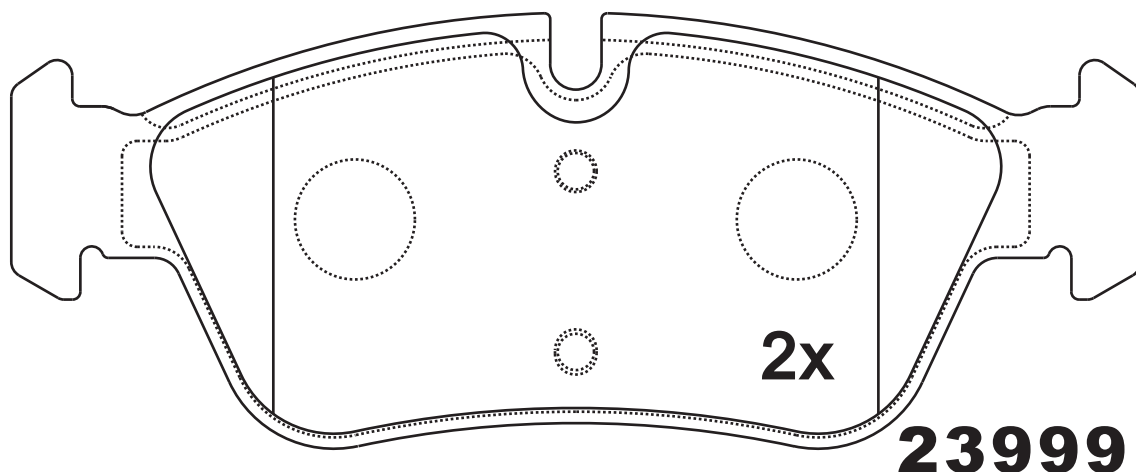
Thickness
(mm)

17.8

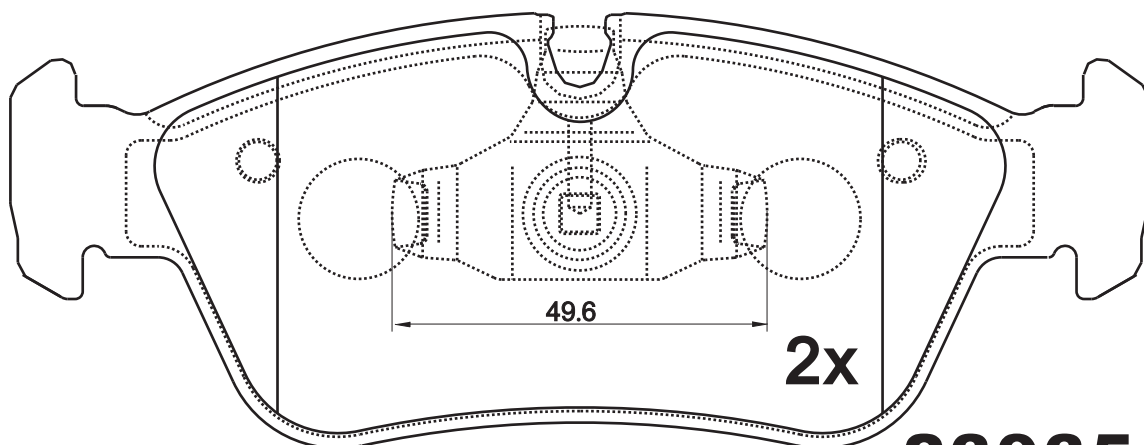


NOTE

2 identical;2 identical



23999



23935

Apply for:

Bmw 1 (E81)

Bmw (Brilliance) 3 Series (E90)

Bmw 3 (E90)

2006/09-2011/12

2004/10-2012/09

2004/02-2011/12

SR1228

**Dimension
(mm)**

**Thickness
(mm)**



NOTE

**附件包
Accessory bag**



1x

X0104A (总长: 679mm)

OE:34356789440

2x

X0191A总长635mm

FJB2X0191A

SR1229.01

Dimension
(mm)

134X55.2

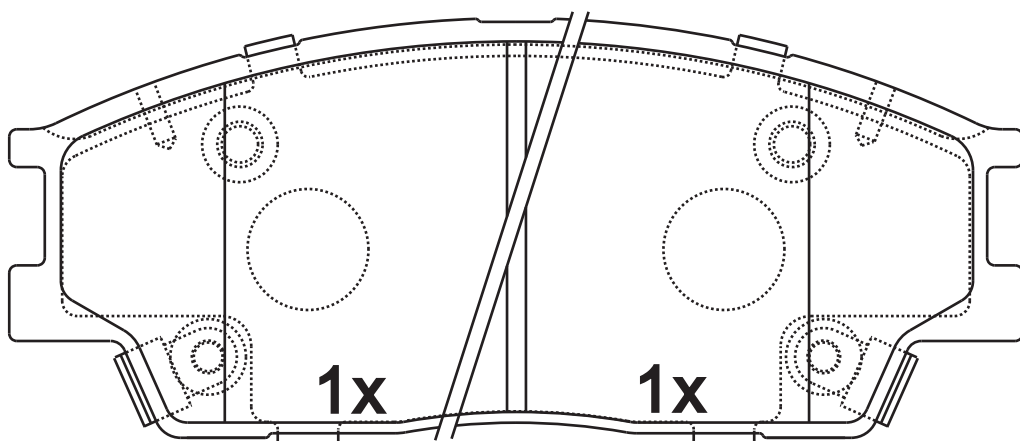
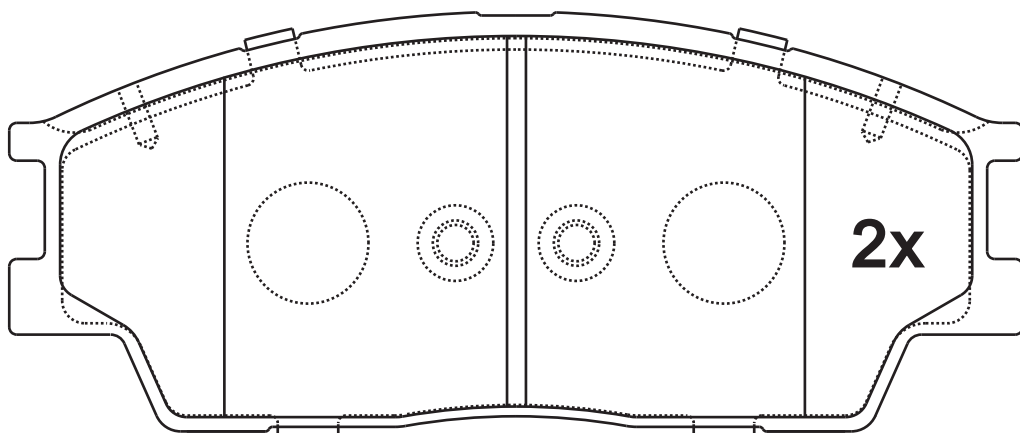
Thickness
(mm)

17.5/18



NOTE

2 identical; 2 identical, 1 with acoustic indicator (left), 1 with acoustic indicator (right).



58101 K2A00

Apply for:

HYUNDAI Venue

2020

SR1229

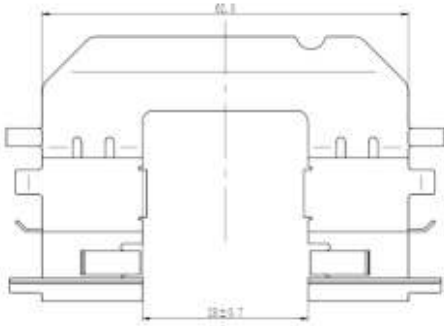
**Dimension
(mm)**

**Thickness
(mm)**



NOTE

**附件包
Accessory bag**



4x

**DX0056
FJB1229.01**

SR1230.01

Dimension
(mm)

145.5X59.9

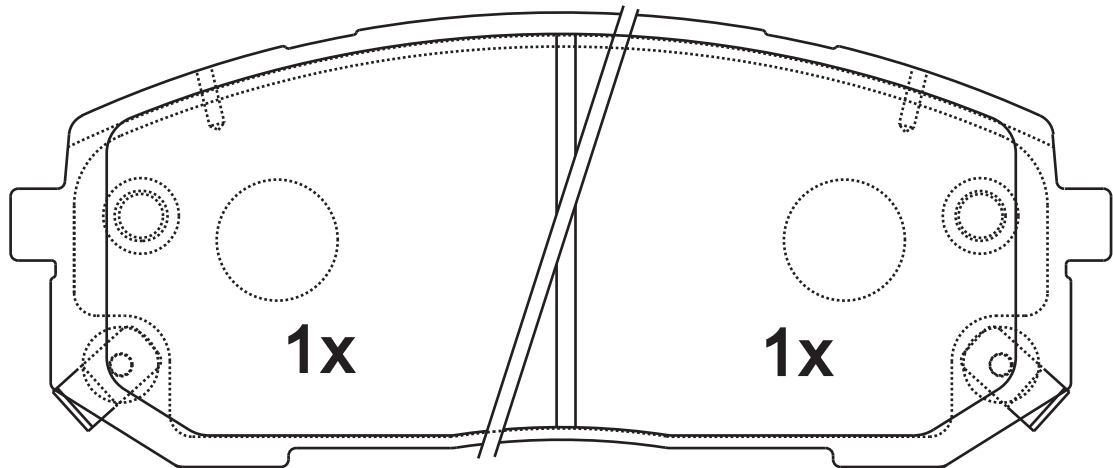
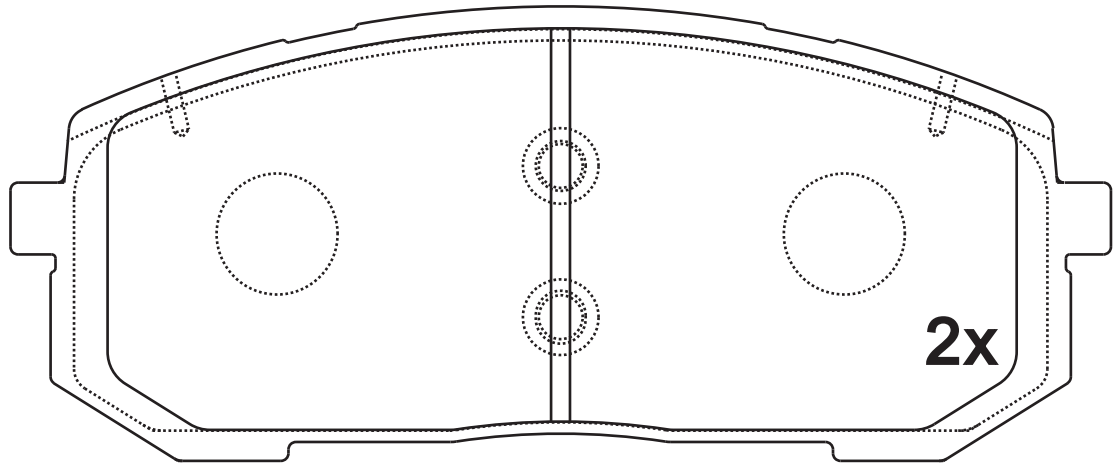
Thickness
(mm)

18



NOTE

2 identical;2 identical,1 with acoustic indicator (left),1 with acoustic indicator(right).



58101 L1A02

Apply for:

HYUNDAI Sonata Hybrid

2019

SR1230

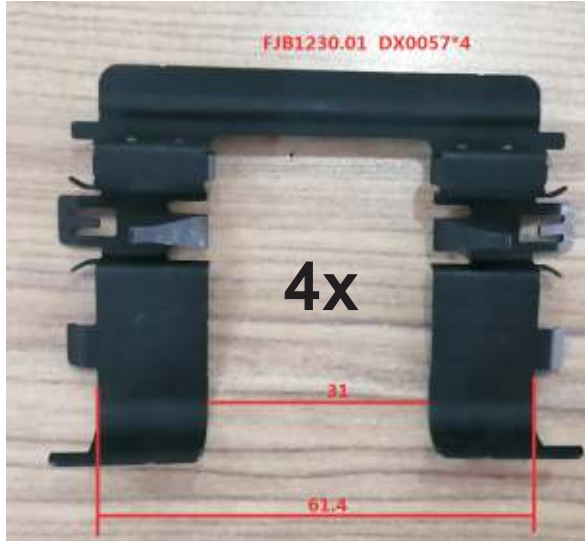
**Dimension
(mm)**

**Thickness
(mm)**



NOTE

**附件包
Accessory bag**



**DX0057
FJB1230.01**

SR1231.01

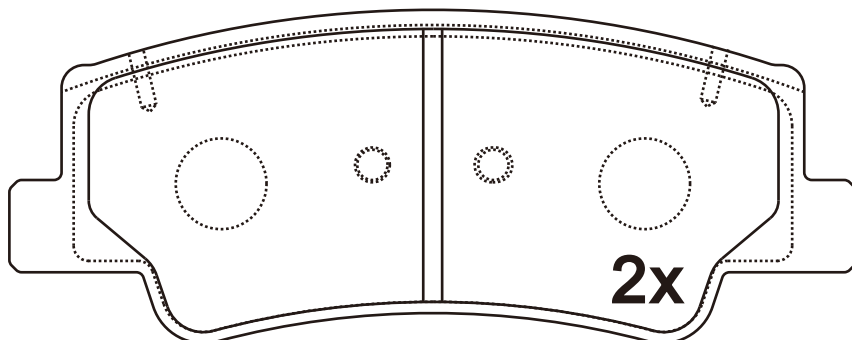
Dimension
(mm)

Thickness
(mm)

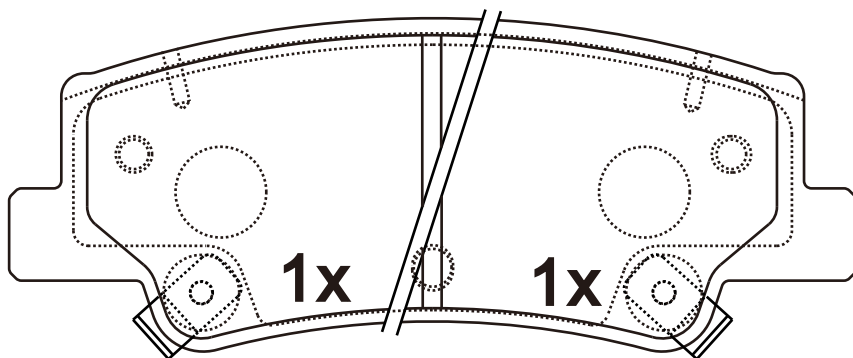


NOTE

2 identical; 2 identical, 1 with acoustic indicator (left), 1 with acoustic indicator (right).



26484



26485

26486

Apply for:

Hyundai Sonata Viii (Dn8)

2019/03-

SR1231

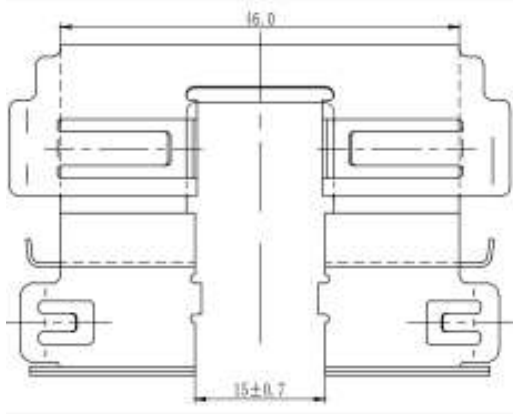
**Dimension
(mm)**

**Thickness
(mm)**



NOTE

**附件包
Accessory bag**



4x

FJB1231.01
DX0058

SR1232.01

Dimension
(mm)

Thickness
(mm)

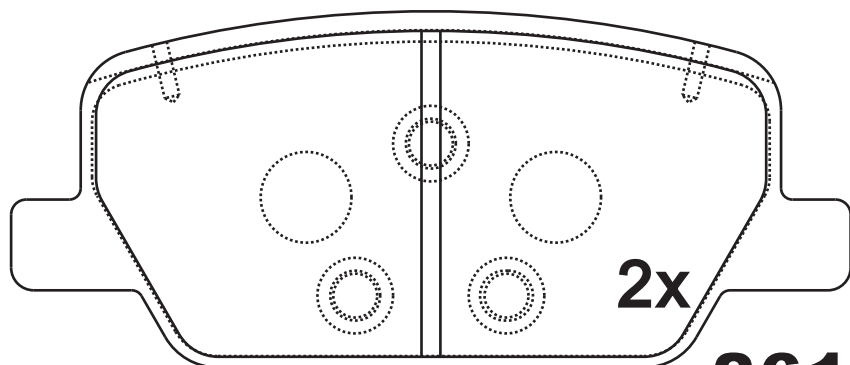


NOTE

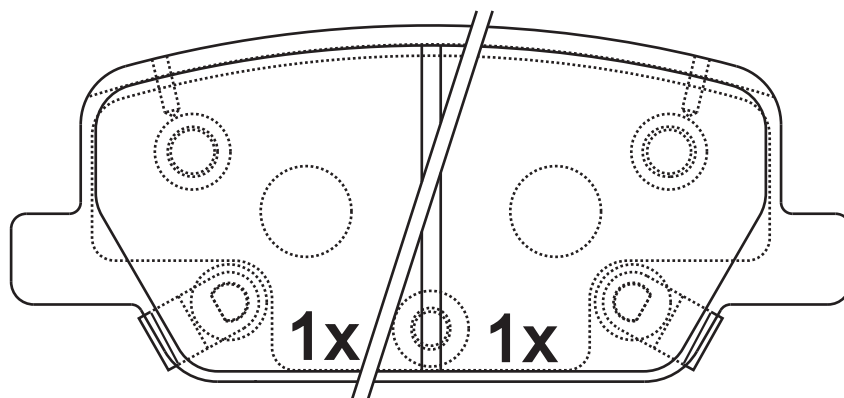
2 identical; 2 identical, 1 with acoustic indicator (left), 1 with acoustic indicator (right).

111X47.02

16/15.5



26142



26143

26144

D2199

Apply for:

Hyundai Santa Fé Iv (Tm)

Hyundai Santa Fé Iv Box Body / Suv (Tm)

2018/02-

2018/02-

SR1232

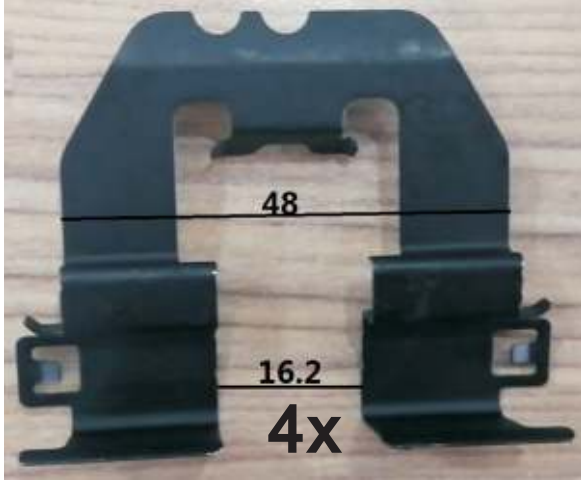
**Dimension
(mm)**

**Thickness
(mm)**



NOTE

**附件包
Accessory bag**



**DX0059
FJB1232.01**

SR1233.01

Dimension
(mm)

166.4X49.5

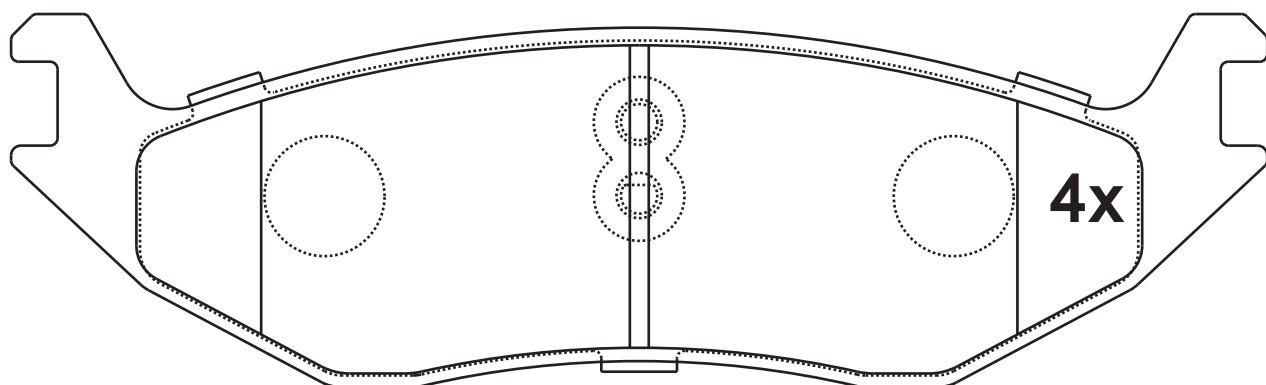
Thickness
(mm)

16.8



NOTE

4 identical;



OE:5080563AA/D967

Apply for:

Chrysler Aspen	2007-2009
Dodge Truck Durango	2003
Dodge Truck Ram 1500	2004-2011
Dodge Truck Ram 1500 Van	2003
Ram 1500	2011-2014

SR1234.01

Dimension
(mm)

Thickness
(mm)

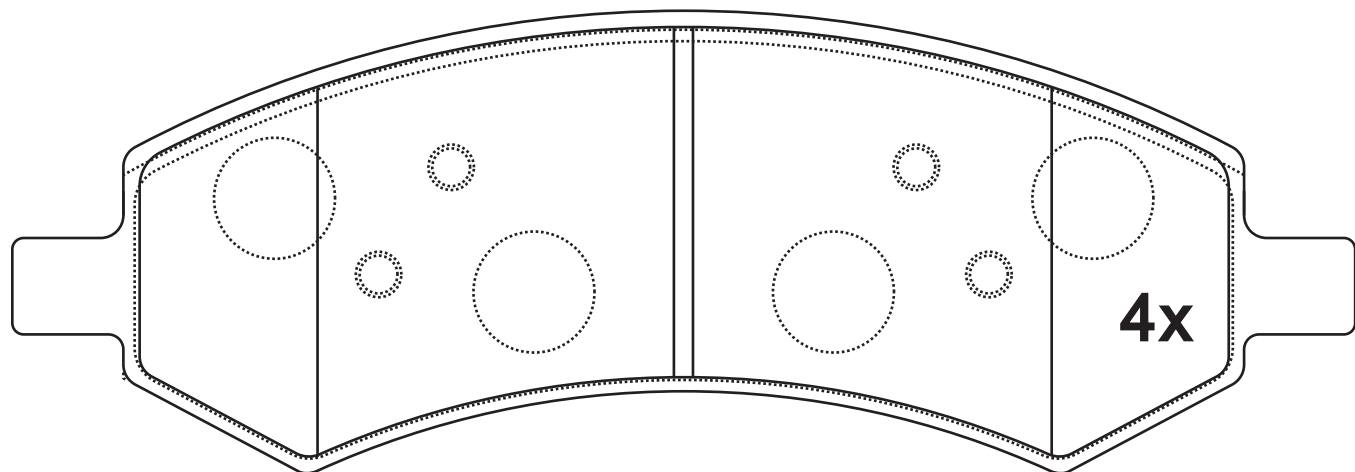


NOTE

4 identical;

177.7X61.2

18.5



22223/D1084

Apply for:

Chrysler Aspen
Dodge Truck Dakota
Dodge Truck Durango
Dodge Truck Ram 1500
Mitsubishi Raider
Ram 1500
Ram Dakota

2007-2009
2005-2011
2007-2009
2006-2011
2006-2010
2011-2014
2011

SR1235.01

Dimension
(mm)

109.6X69.3

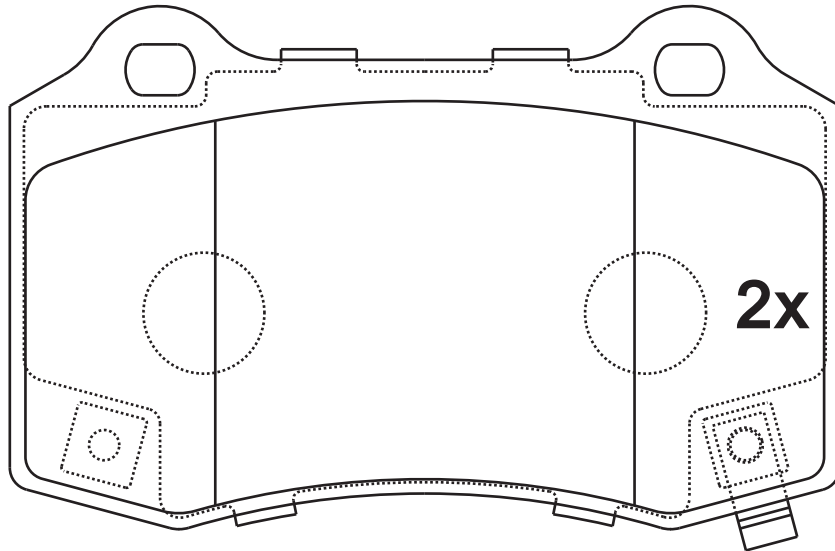
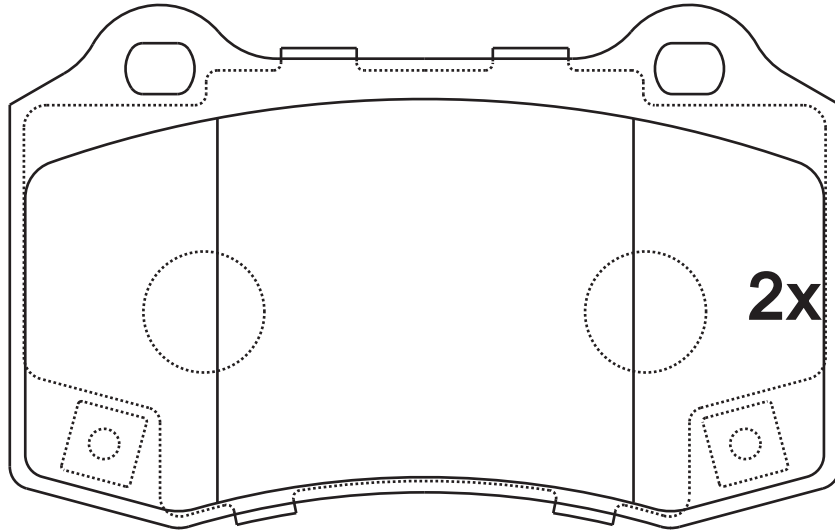
Thickness
(mm)

14



NOTE

2 identical;2 identical



D1428

Apply for:

Chrysler 300 C (Lx, Le)

Jeep Grand Cherokee Iii (Wh, Wk)

2004/09-

2004/10-2011/10

SR1235.02

Dimension
(mm)

109.8X69.2

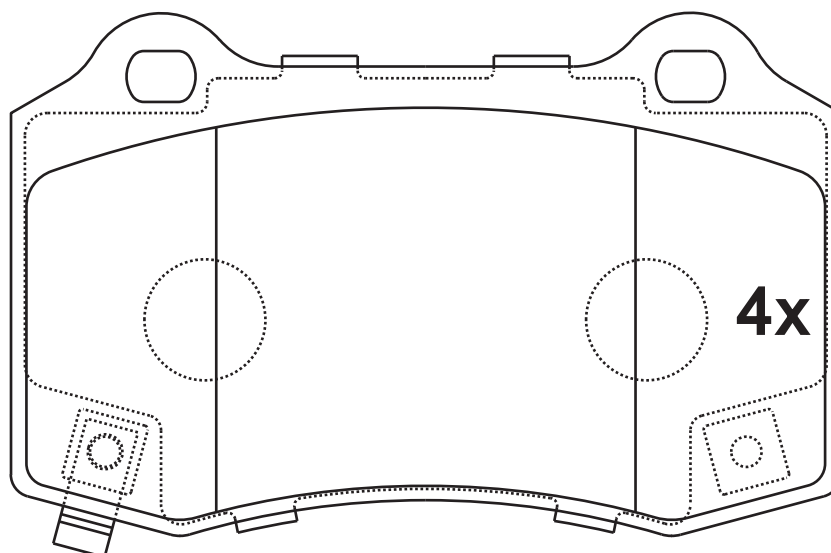
Thickness
(mm)

15.2



NOTE

4 identical;



24076

Apply for:

Chrysler 300 C (Lx, Le)

Jeep Grand Cherokee Iii (Wh, Wk)

2004/09-

2004/10-2011/10

SR1236.01

Dimension
(mm)

128.9X64.7

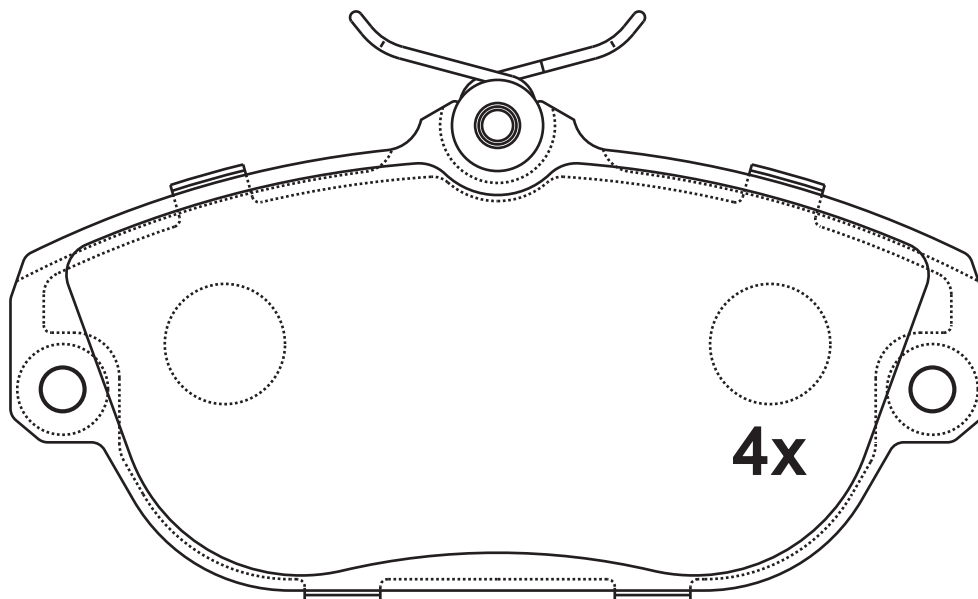
Thickness
(mm)

18



NOTE

4 identical;



271349

D542/D634

Apply for:

Volvo 740 (744)

Volvo 740 Kombi (745)

Volvo 760 Kombi (704, 765)

Volvo 940 li (944)

Volvo 960 li Estate (965)

Volvo V90 Estate (965)

1983/04-1992/1

1984/08-1992/12

1982/01-1992/07

1994/08-1998/12

1994/07-1996/12

1996/11-1998/12

SR1237.01

Dimension
(mm)

Thickness
(mm)

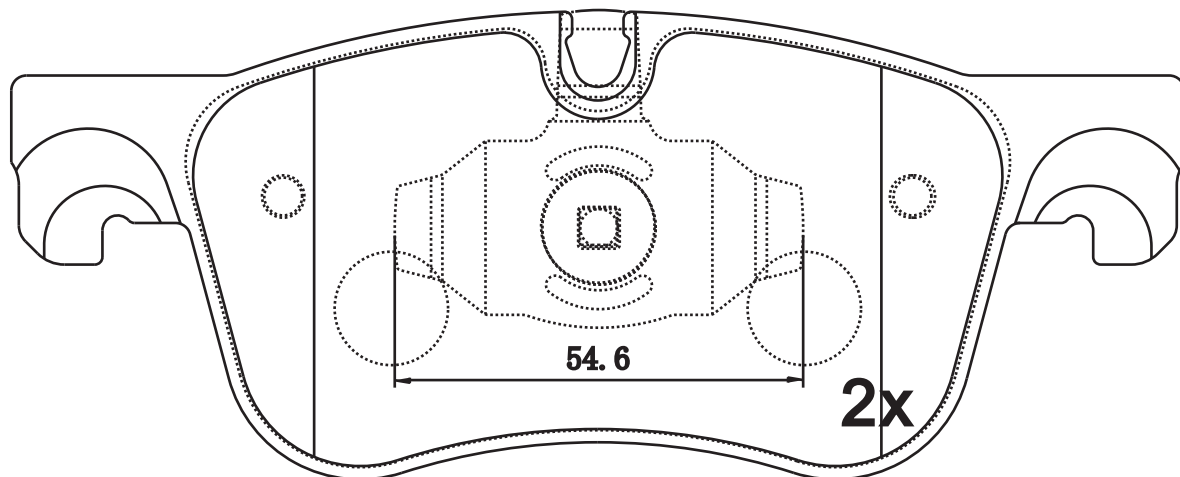
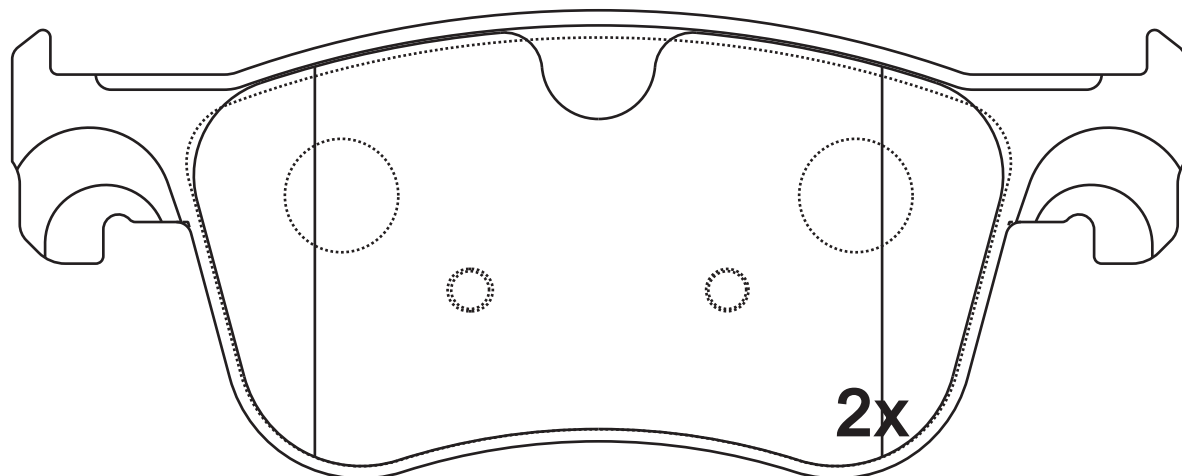


NOTE

2 identical;2 identical

155.1X61.9

16.5



25836/25837

Apply for:

Citroen Grand C4 Spacetourer (3A_, 3E_)

Citroen C4 Grand Picasso li

2018/04-

2013/09-

SR1238.01

Dimension
(mm)

Thickness
(mm)

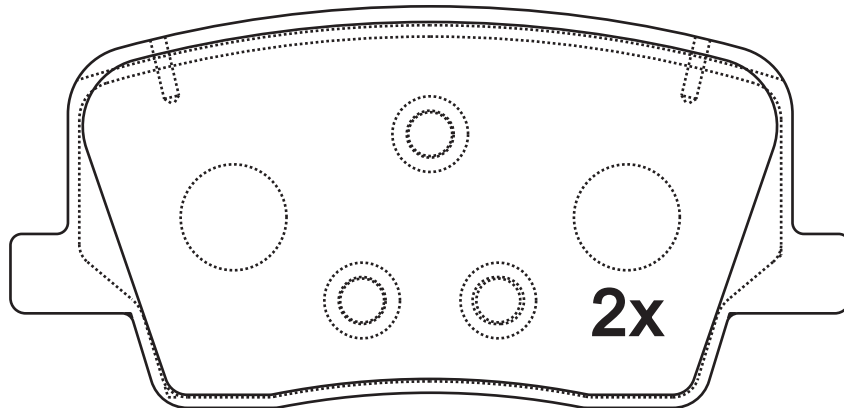


NOTE

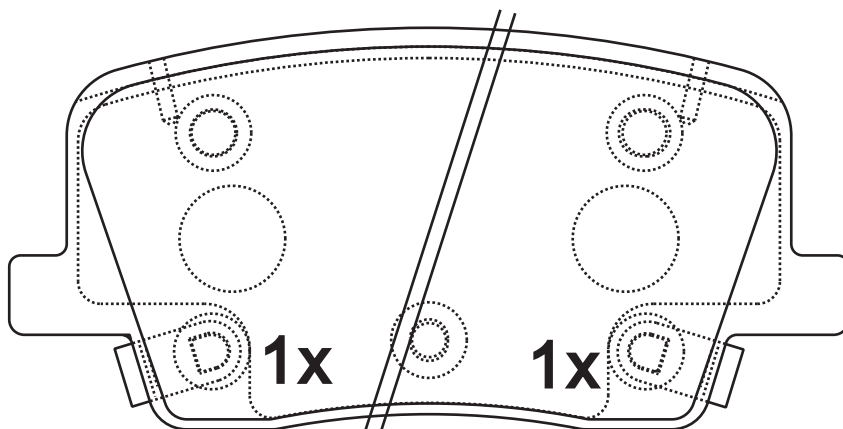
2 identical; 2 identical, 1 with acoustic indicator (left), 1 with acoustic indicator (right).

110.9X53.1

15.5



20782



20835

20947

Apply for:

G4 Rexton(Y400) 17-

SR1239.01

Dimension
(mm)

134.01X53.9

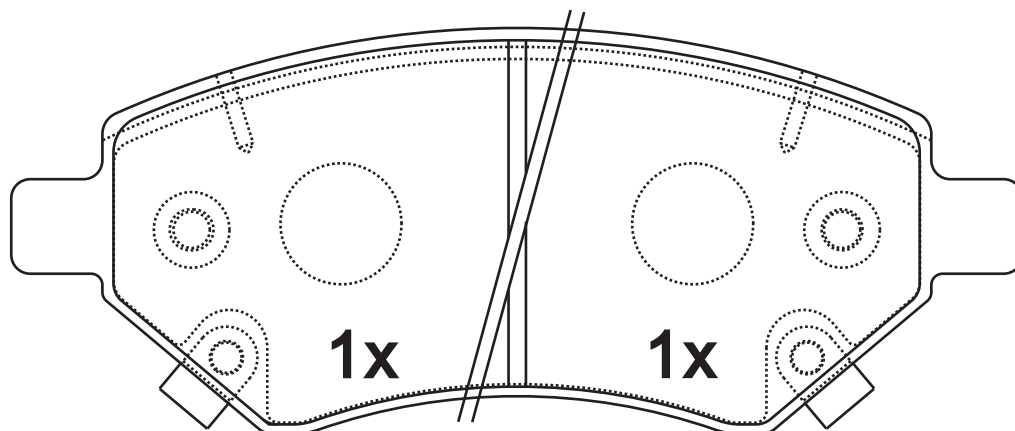
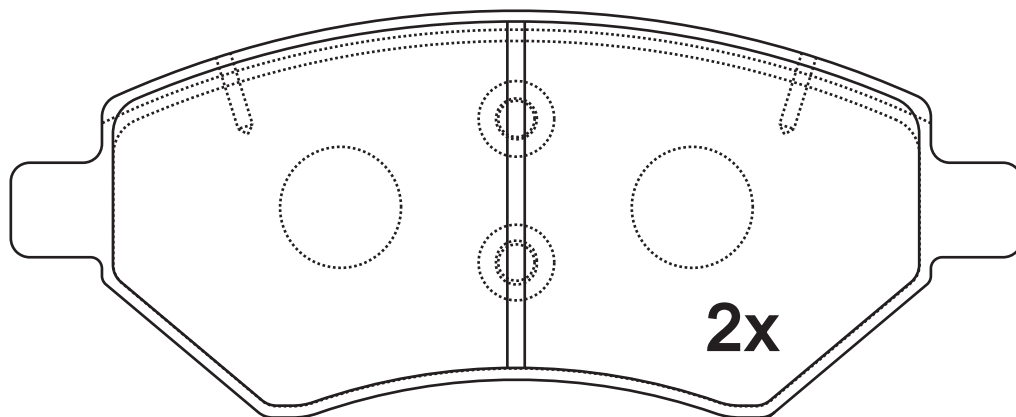
Thickness
(mm)

15.5



NOTE

2 identical;2 identical,1 with acoustic indicator (left),1 with acoustic indicator(right).



GDB9116

Apply for:

凯翼1.5L (2017--)

1.6L (2018-2020)

奇瑞1.5L (2013-2018)

1.6L (2015-2019)

SR1240.01

Dimension
(mm)

145.5X64.3

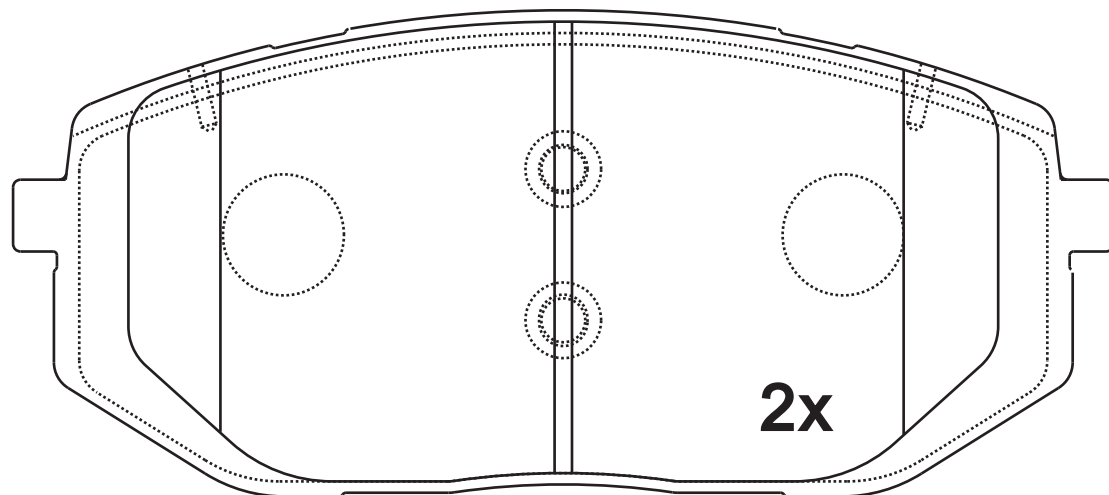
Thickness
(mm)

17.5

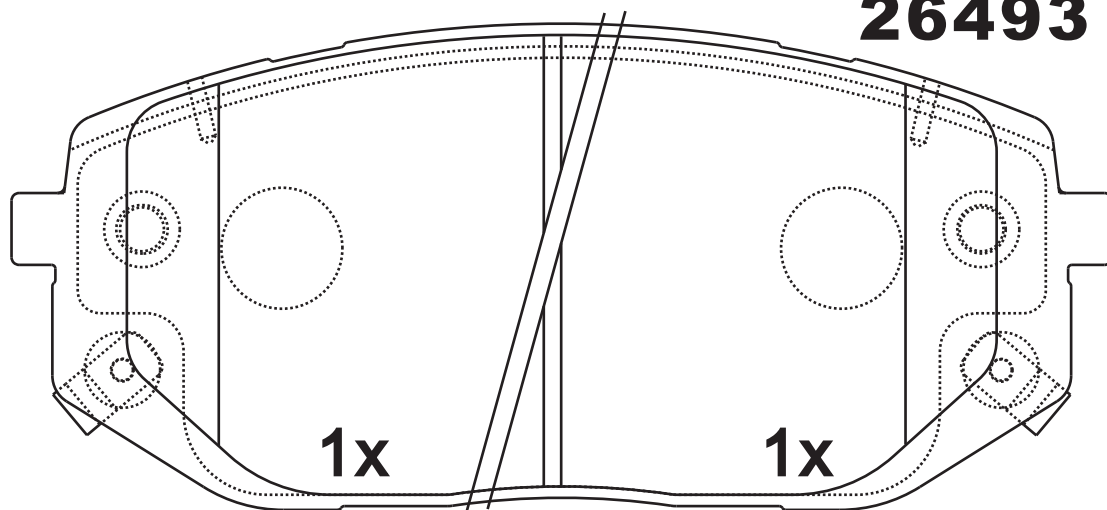


NOTE

2 identical; 2 identical, 1 with acoustic indicator (left), 1 with acoustic indicator (right).



26493



26494

26495

Apply for:
HYUNDAI Tucson 2021

SR1240

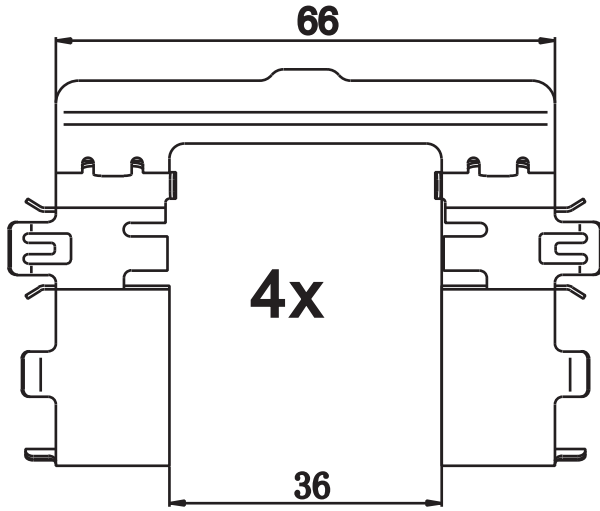
**Dimension
(mm)**

**Thickness
(mm)**



NOTE

附件包
Accessory bag



DX0064

FJB1240.01

SR1241.01

Dimension
(mm)

102.01X44.2

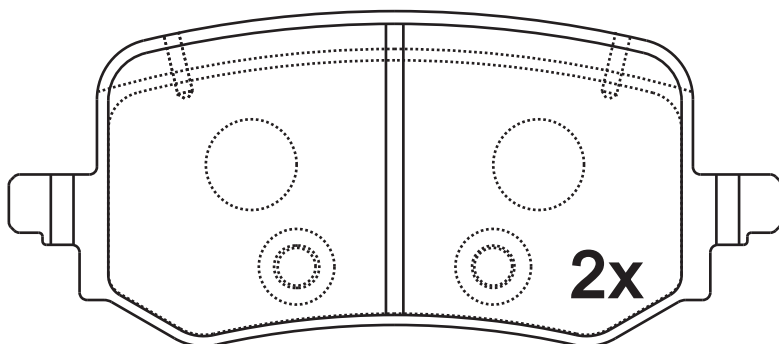
Thickness
(mm)

17.4

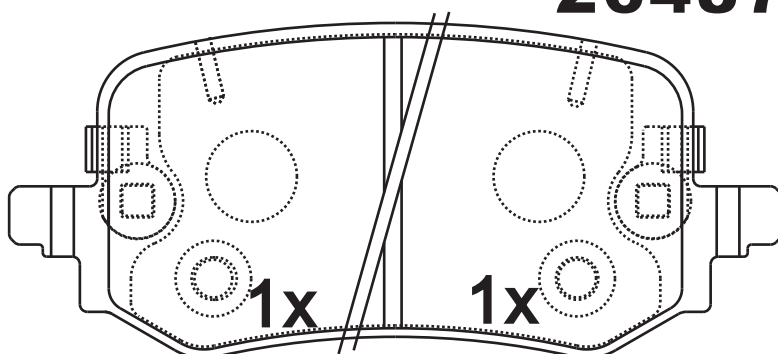


NOTE

2 identical, 1 with acoustic indicator (left), 1 with acoustic indicator (right).




26487

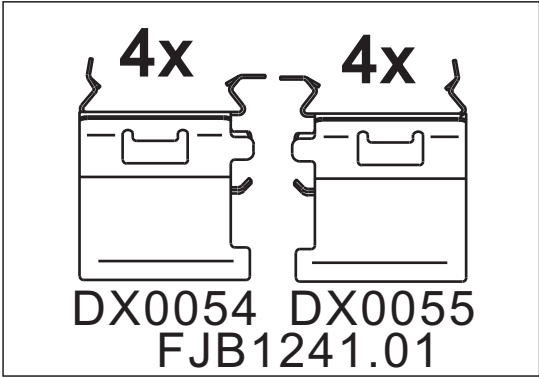


26488

26489

Apply for:
HYUNDAI Tucson 2021

SR1241	Dimension (mm)	Thickness (mm)		NOTE
				附件包 Accessory bag



SR1242.01

Dimension
(mm)

142.6x47.4

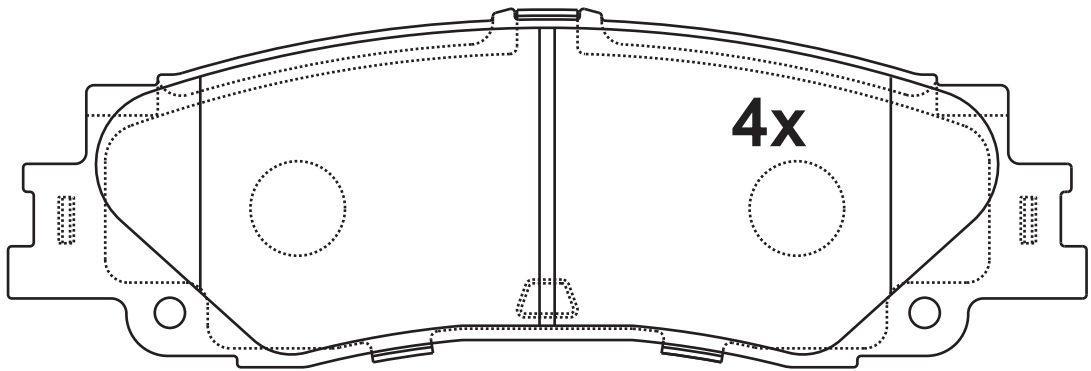
Thickness
(mm)

15



NOTE

4 identical;



04466-60190

Apply for:

Toyota Land Cruiser Lc300 2022-

SR1243.01

Dimension
(mm)

169.9x59.1

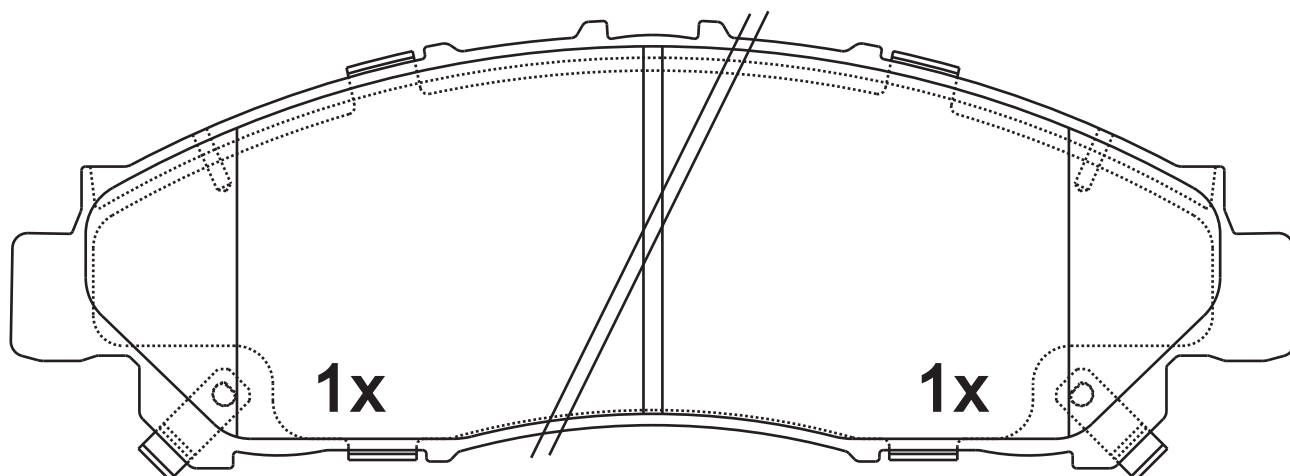
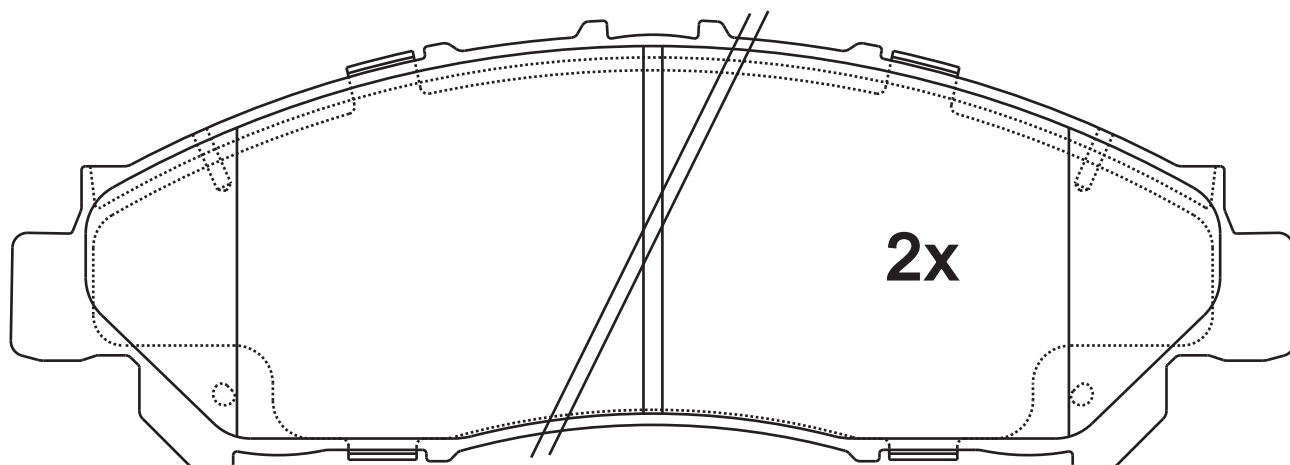
Thickness
(mm)

17.8



NOTE

2 identical; 2 identical, 1 with acoustic indicator (left), 1 with acoustic indicator (right).



04465-26440

Apply for:
Toyota Hiace 2018

SR1244.01

Dimension
(mm)

134.2X60

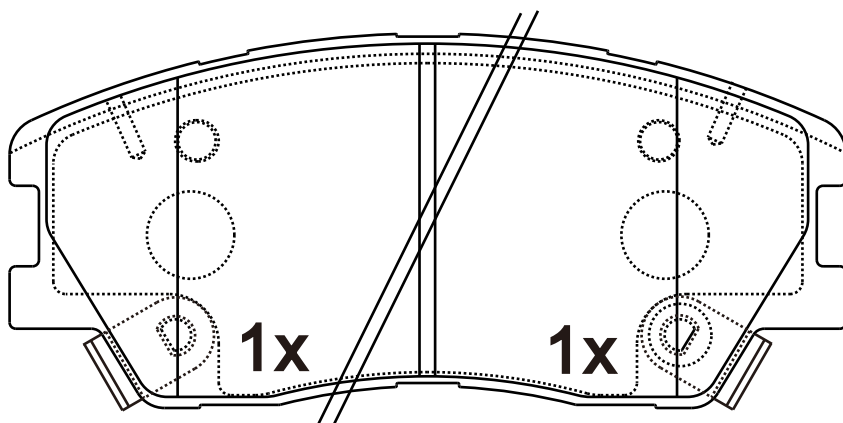
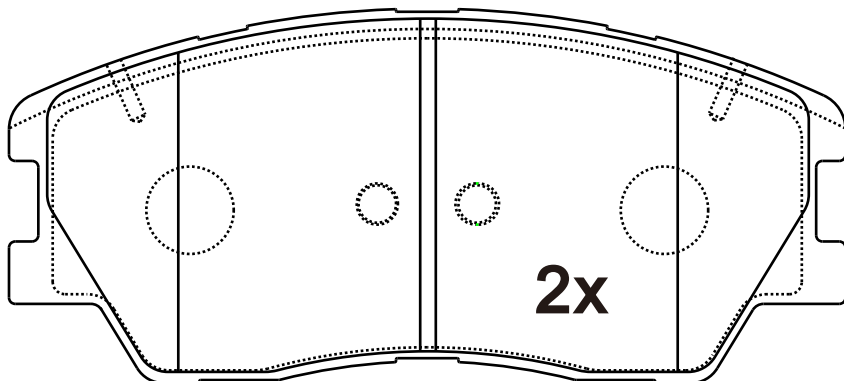
Thickness
(mm)

17.5



NOTE

2 identical; 2 identical, 1 with acoustic indicator (left), 1 with acoustic indicator (right).



SP4369
9523-D2287

Apply for:

SR1245.01

Dimension
(mm)

157X60.7

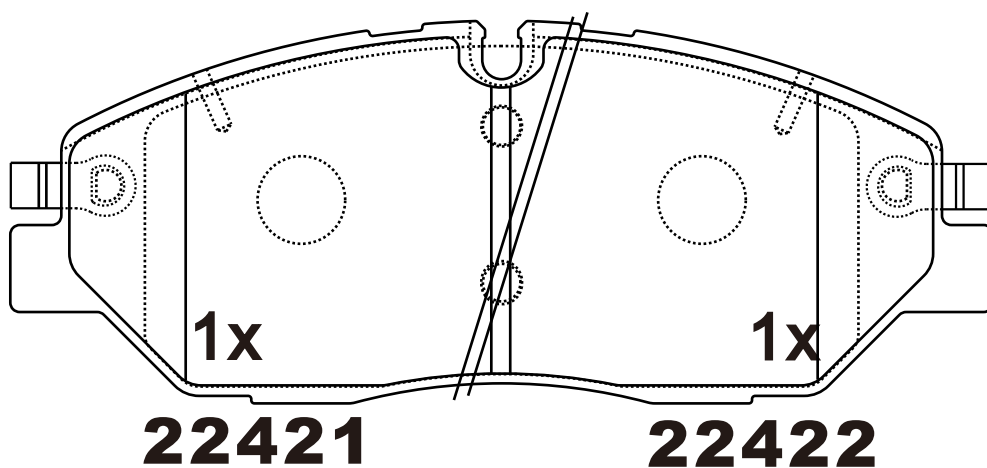
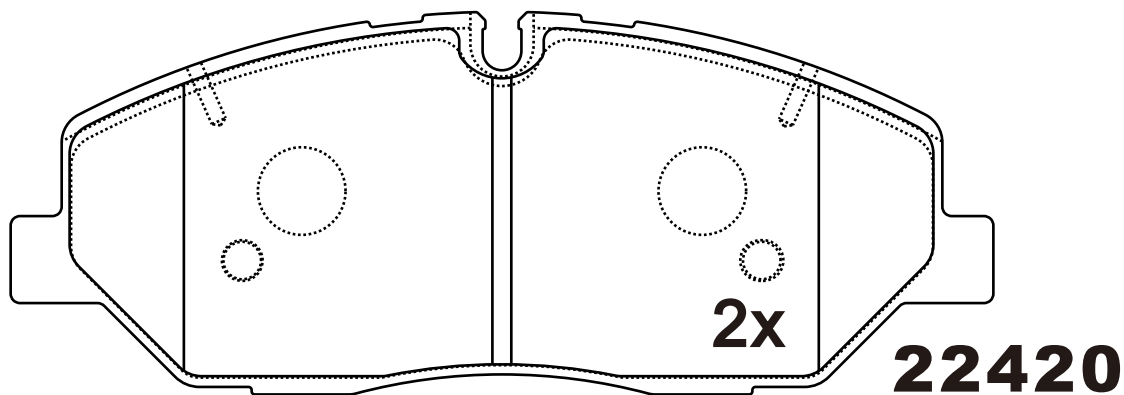
Thickness
(mm)

20.8



NOTE

2 identical;2 identical,1 with acoustic indicator (left),1 with acoustic indicator(right).



GDB2227

58101-59A00

58101-59A10

Apply for:
HYUNAI H350 2016-

SR1245

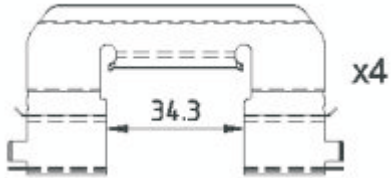
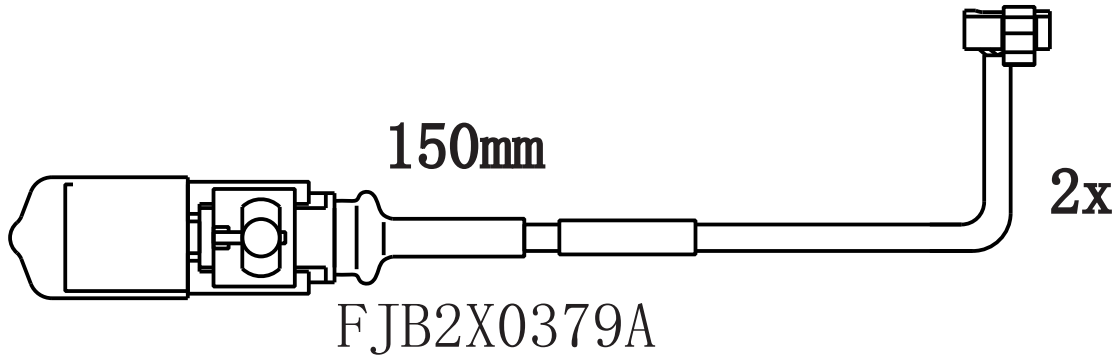
**Dimension
(mm)**

**Thickness
(mm)**



NOTE

附件包
Accessory bag



DX0079
FJB1245.01

SR1246.01

Dimension
(mm)

133.1X57.2

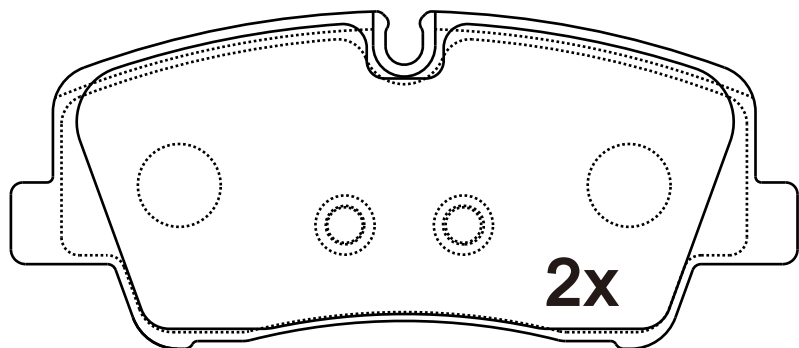
Thickness
(mm)

17.3

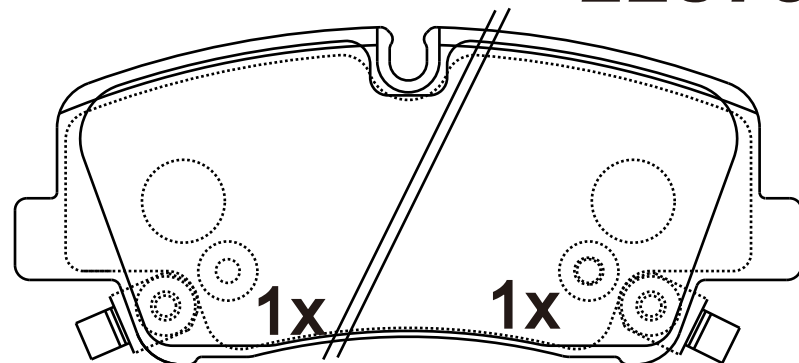


NOTE

2 identical;2 identical,1 with acoustic indicator (left),1 with acoustic indicator(right).



22370



22419

22418

Apply for:
HYUNDAI H350 2016-

SR1246

**Dimension
(mm)**

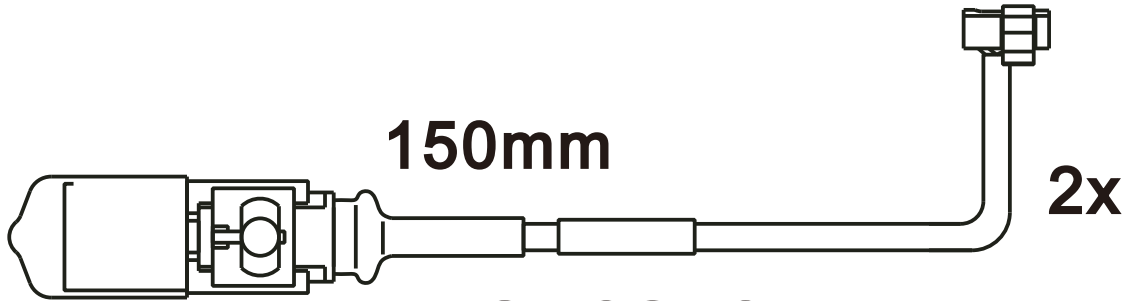
**Thickness
(mm)**



NOTE

附件包
Accessory bag

150mm



2x

FJB2X0379A

SR1247.01

Dimension
(mm)

143.7X82.8

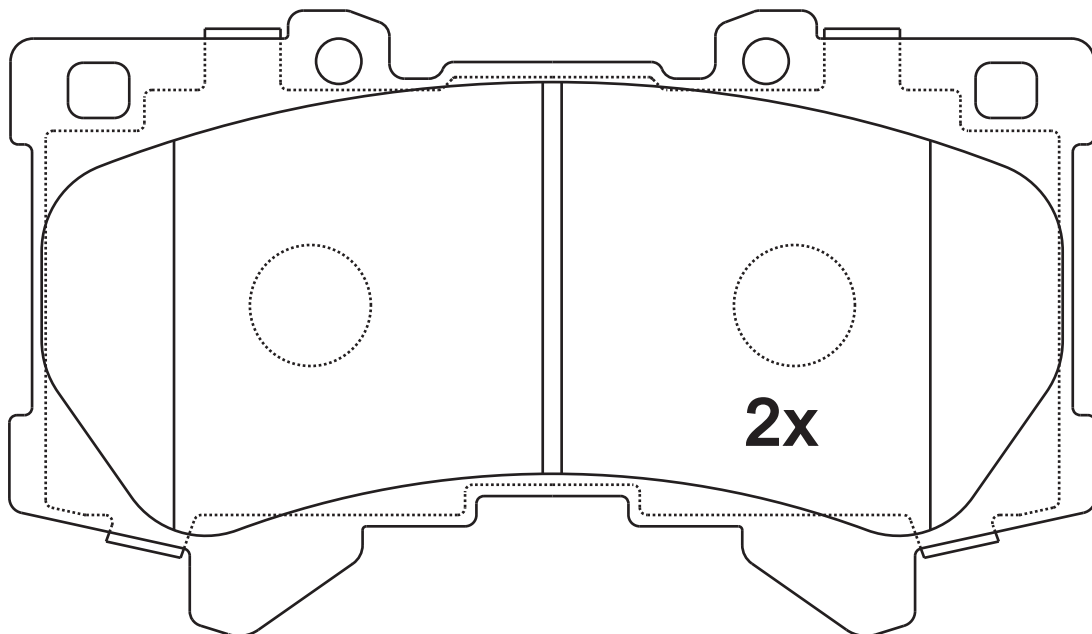
Thickness
(mm)

17.9

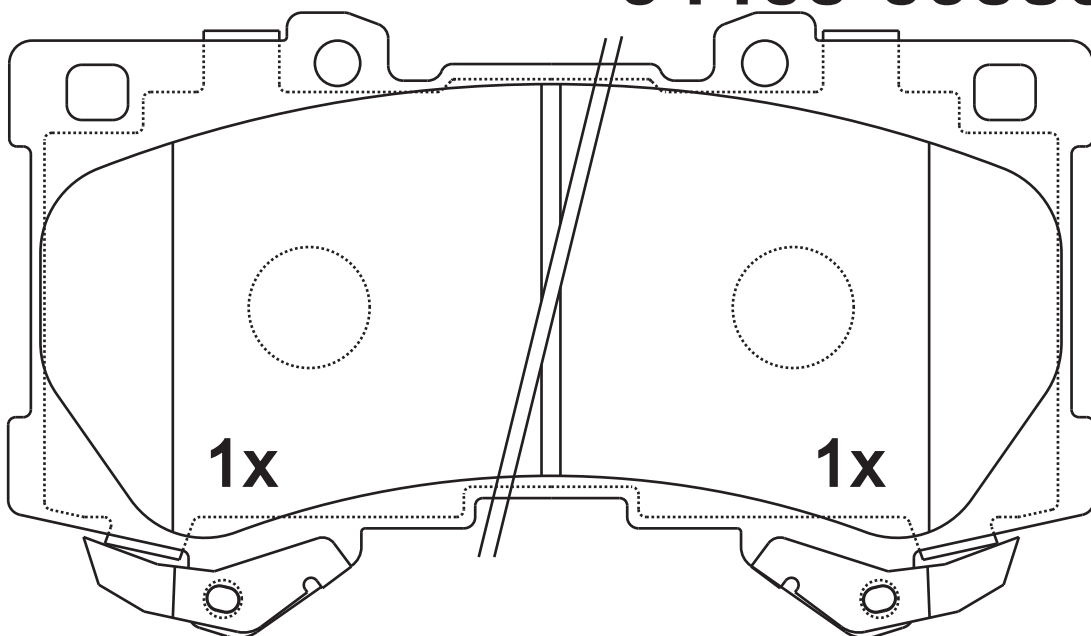


NOTE

2 identical; 2 identical, 1 with acoustic indicator (left), 1 with acoustic indicator (right).



04465-60380



Apply for:

Toyota Land Cruiser Lc300 2022-

SR1248.01

Dimension
(mm)

Thickness
(mm)

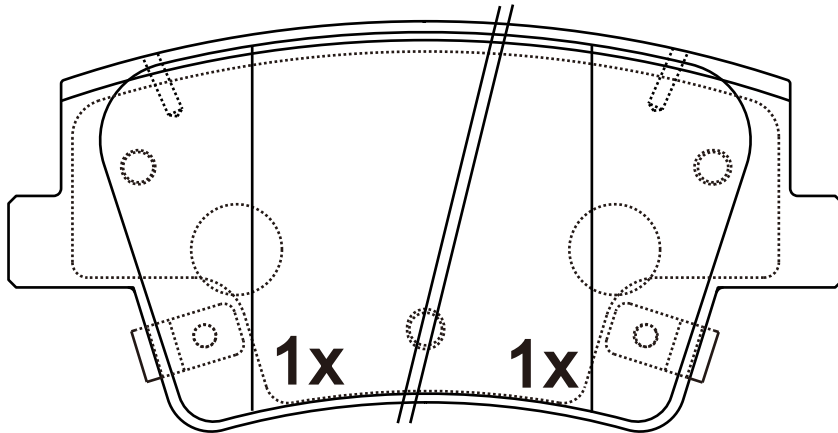
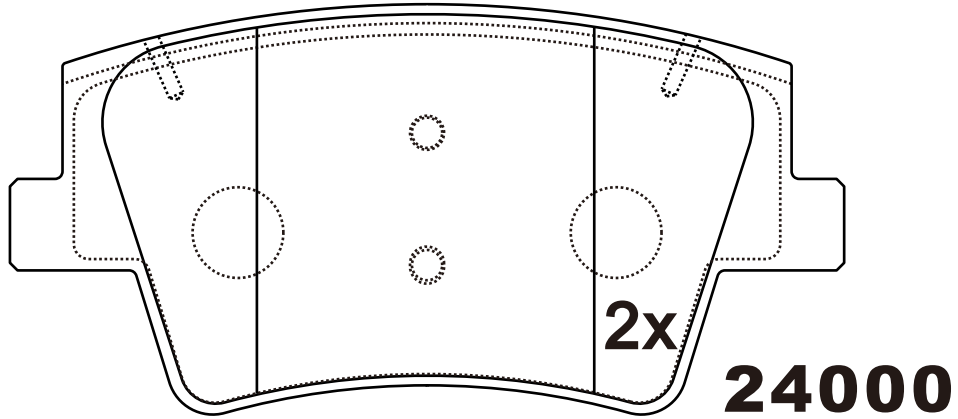


NOTE

2 identical; 2 identical, 1 with acoustic indicator (left), 1 with acoustic indicator (right).

110.5X54.1

15.6



OE:58302-S1A00

Apply for:
HYUNDAI SANTA FE 2018-

SR1249.01

Dimension
(mm)

Thickness
(mm)

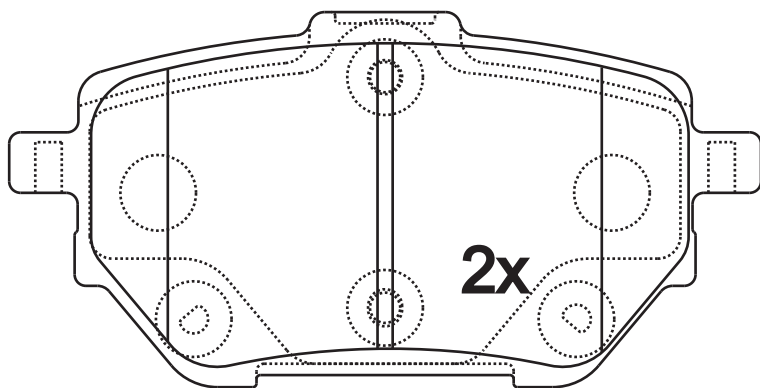


NOTE

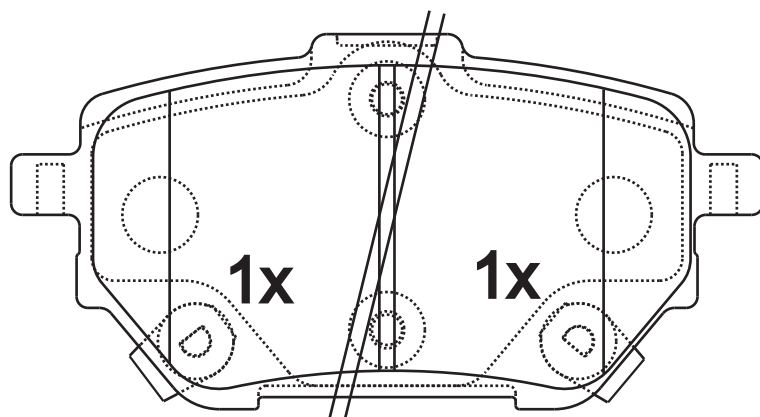
2 identical; 2 identical, 1 with acoustic indicator (left), 1 with acoustic indicator (right).

99.5X49.5

15.5



26236



26237

26238



8x

OE:04466-02410

Apply for:
Toyota Corolla 2019-

SR1249

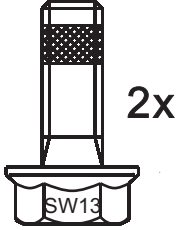
**Dimension
(mm)**

**Thickness
(mm)**



NOTE

**附件包
Accessory bag**



M8X22
L0020



19.1*29.2*9.7
DX0025



FJB1139.01

19.1*26.8*9.7
DX0026

SR1250.01

Dimension
(mm)

132.9X54.8

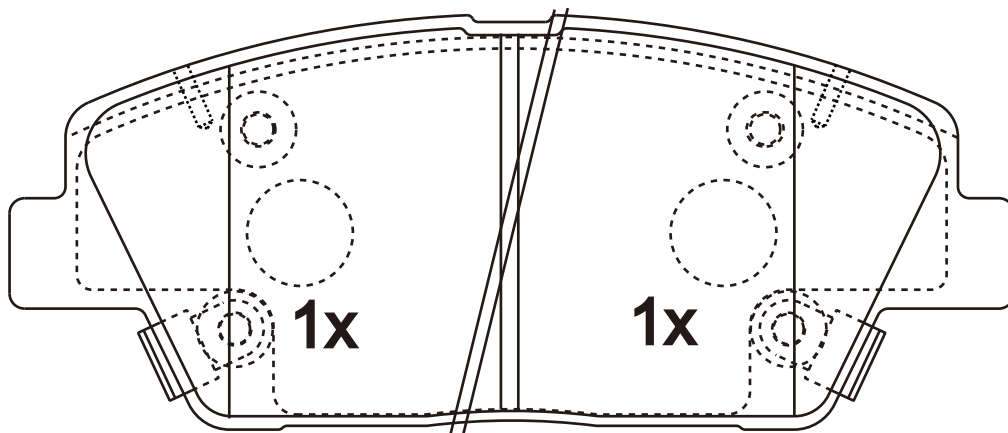
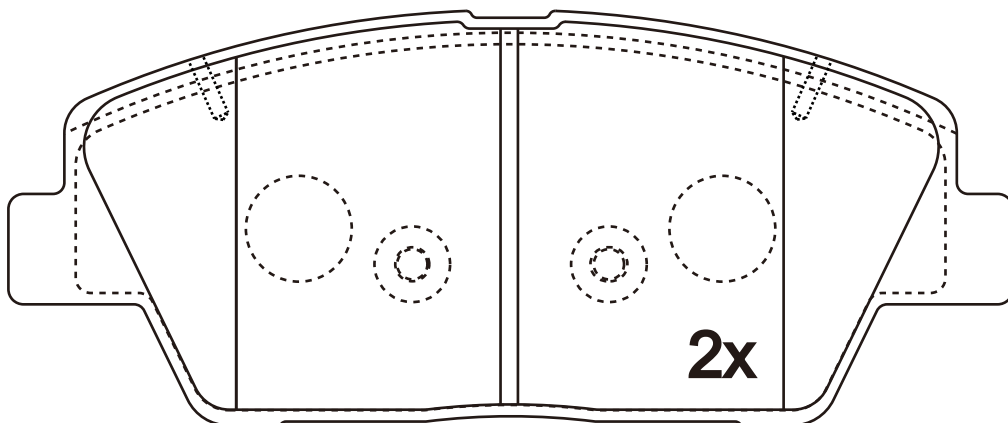
Thickness
(mm)

17.5



NOTE

2 identical; 2 identical, 1 with acoustic indicator (left), 1 with acoustic indicator (right).



Apply for:
KIA OPTIMA 2012-2016

SR1251.01

Dimension
(mm)

Thickness
(mm)

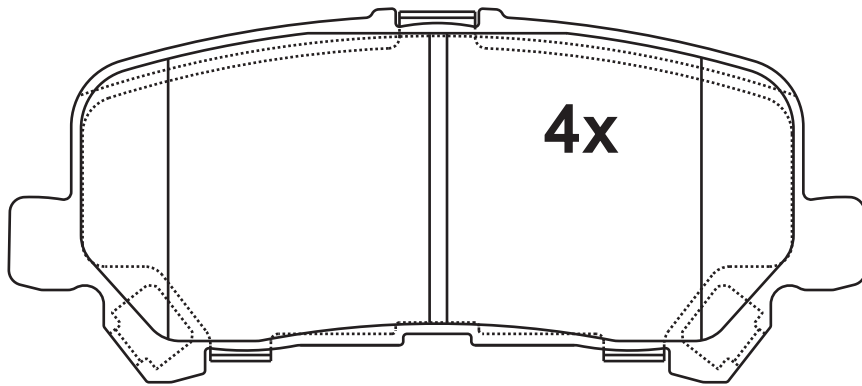


NOTE

4 identical;

113.3X49.3

17.3



OE:O4466-26030



Apply for:
Toyota Hiace 2018-

SR1252.01

Dimension
(mm)

144X62

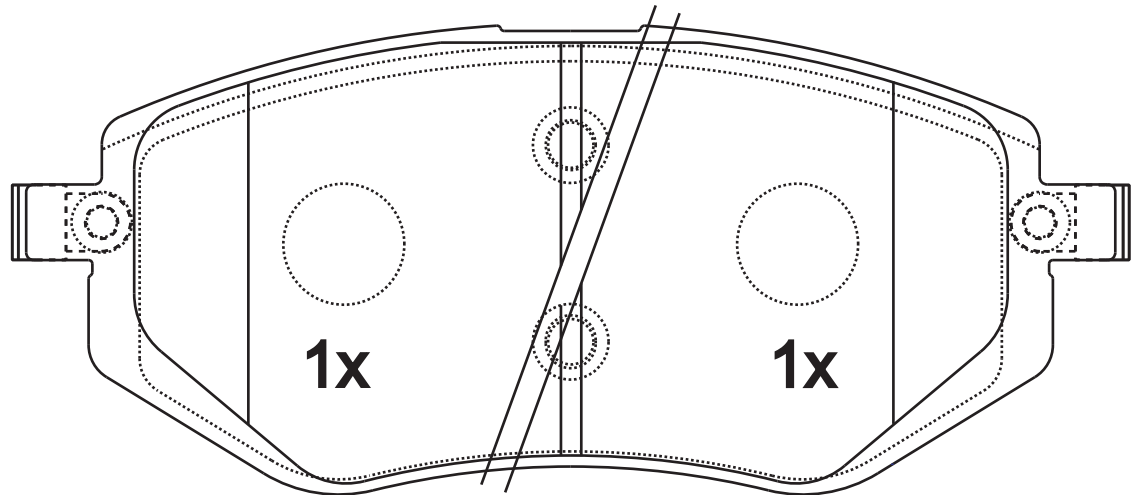
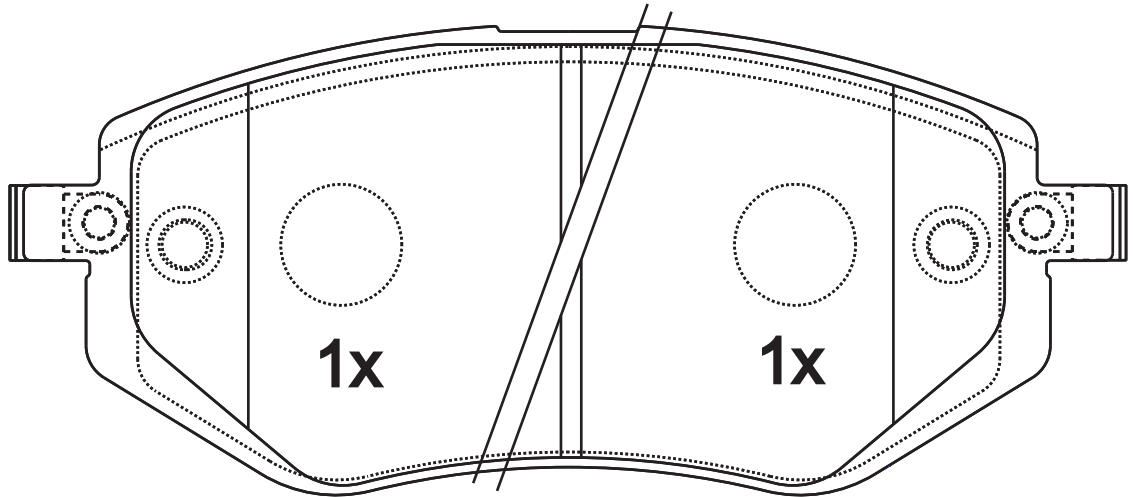
Thickness
(mm)

17.6



NOTE

4 identical; 1 identical, 1 with acoustic indicator (left), 1 with acoustic indicator (right).



Apply for:
长城VV5 2019款

SR1253.01

Dimension
(mm)

143.2X65.1

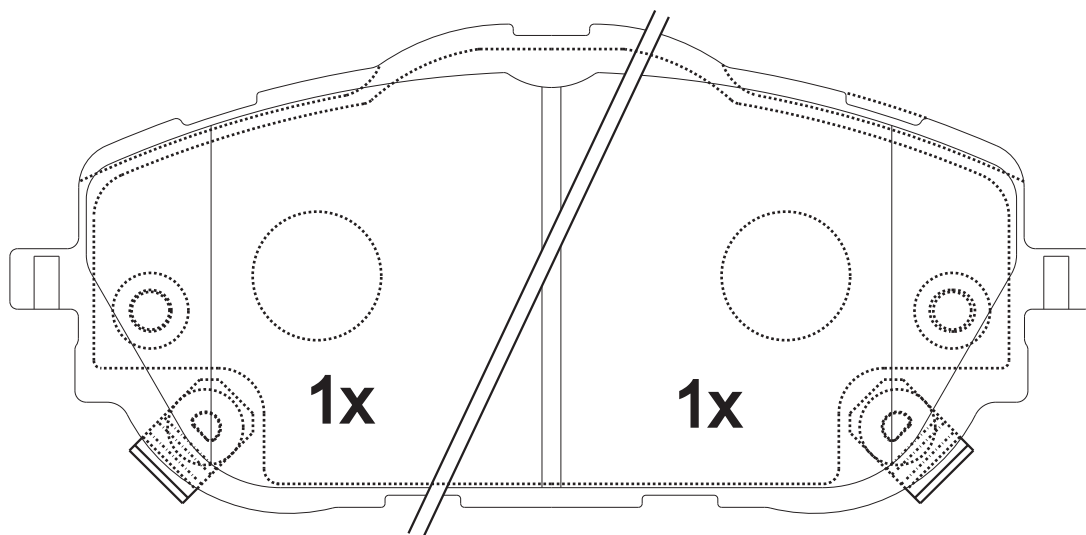
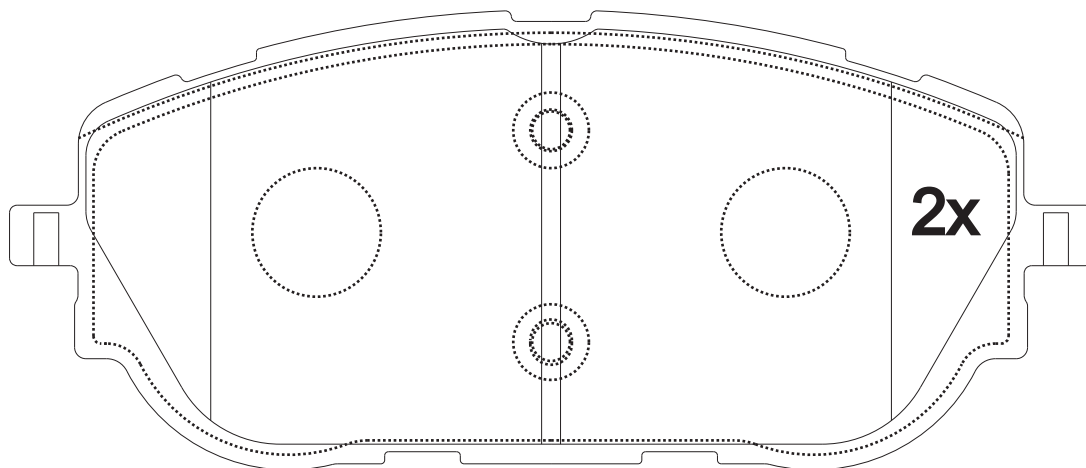
Thickness
(mm)

17.5



NOTE

2 identical; 2 identical, 1 with acoustic indicator (left), 1 with acoustic indicator (right).



KD0633

FJB8K0545

Apply for:
红旗H5

SR1254.01

Dimension
(mm)

Thickness
(mm)

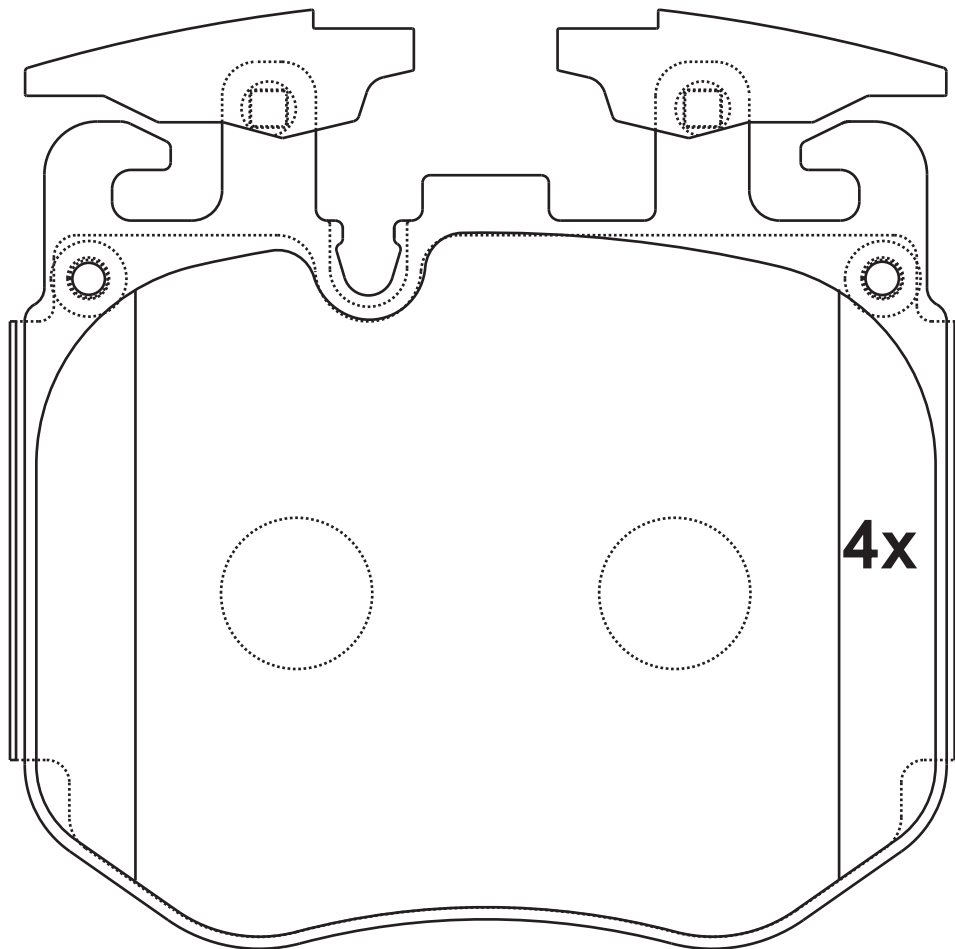


NOTE

4 identical;

124.7X117.6

21



D1868

GDB2147

Apply for:

Bmw 5 (G30, F90)

Bmw 5 Touring (G31)

Bmw 6 Gran Turismo (G32)

2016/09-

2017/03-

2017/06-

SR1254

**Dimension
(mm)**

**Thickness
(mm)**



NOTE

附件包

Accessory bag





2x

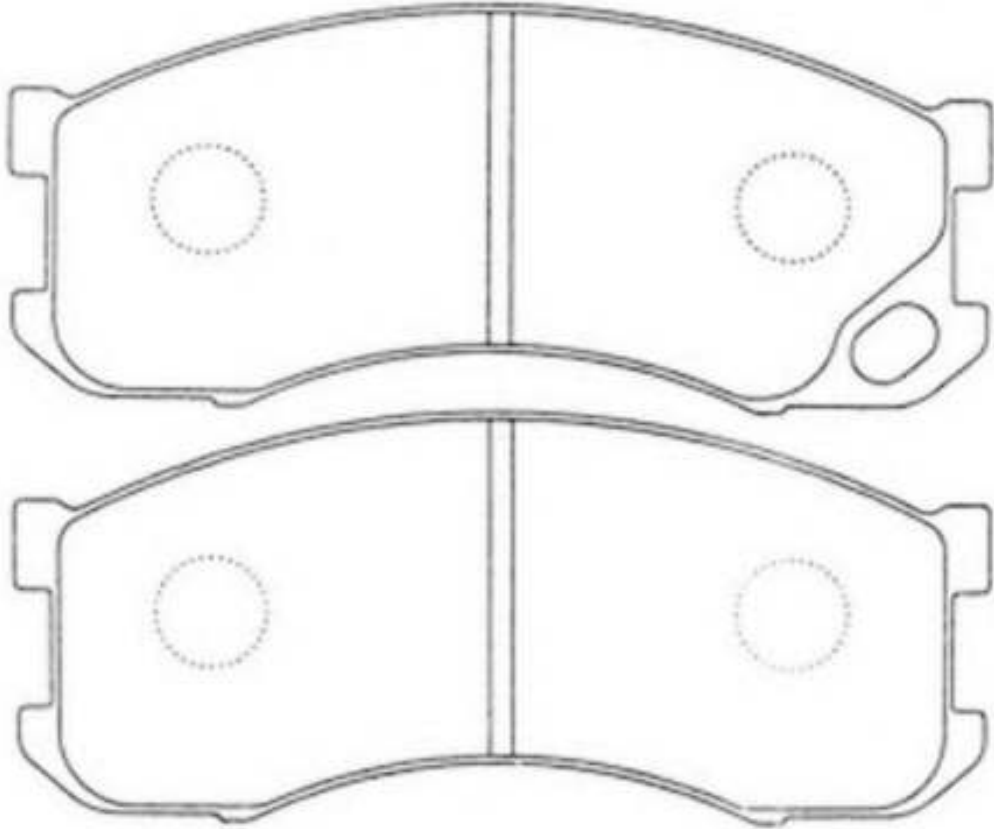


X0223A总长915mm

FJB2X0223A

SR1255.01	Dimension (mm)	Thickness (mm)		NOTE
	133X56.2	17.5		

无磨具



GDB7102

Apply for:

Mitsubishi Canter (Fe5, Fe6) 6.Generation

1986/07-

Mitsubishi Canter Platform/Chassis (Fb6_, Fe5_, Fe6_) 1993/10-2002/10

SR1256.01

Dimension
(mm)

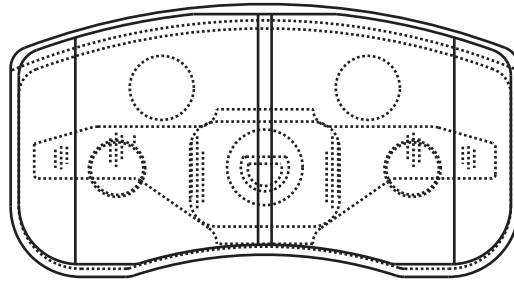
Thickness
(mm)



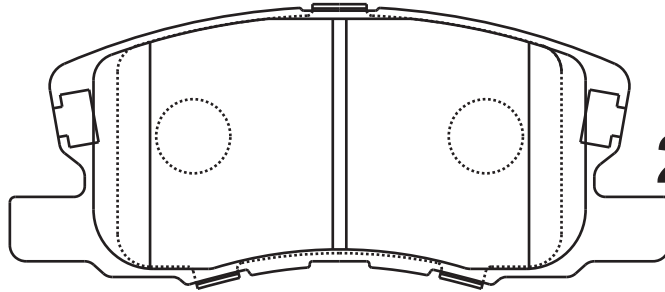
NOTE

121.9X51.5

15.5



2x



2x





**25309
GDB7246**

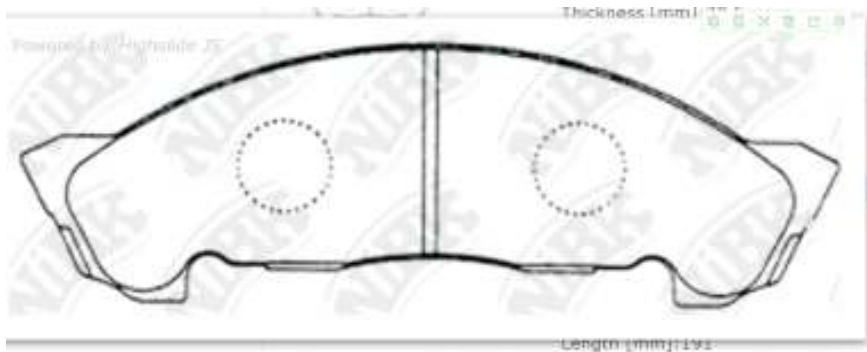
Apply for:

Mitsubishi Colt (Latin America)

2006

SR1257.01	Dimension (mm)	Thickness (mm)		NOTE 4 identical;
	191X62	20.5		

无磨具



4x

35027

GDB7087

Apply for:

Isuzu Elf



Nissan Atlas Condor

Mazda Titan

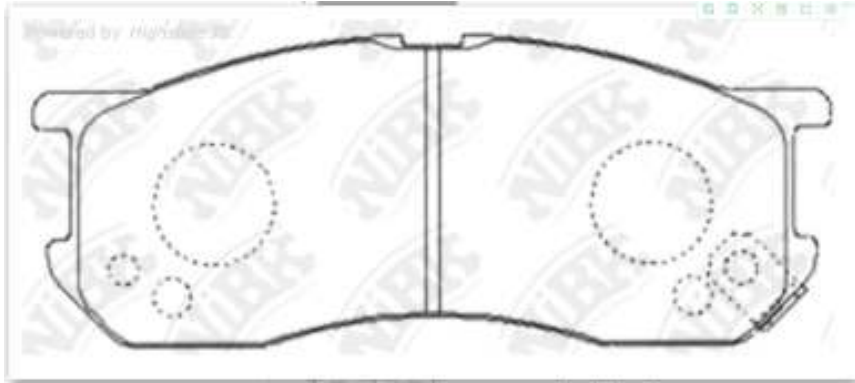
1993/05-

1995/6-1999/4

2004/06-

SR1258.01	Dimension (mm)	Thickness (mm)		NOTE 4 identical;
	106X41.5	15		

无模具



4x

GDB7024

Apply for:

SR1259.01

Dimension
(mm)

Thickness
(mm)



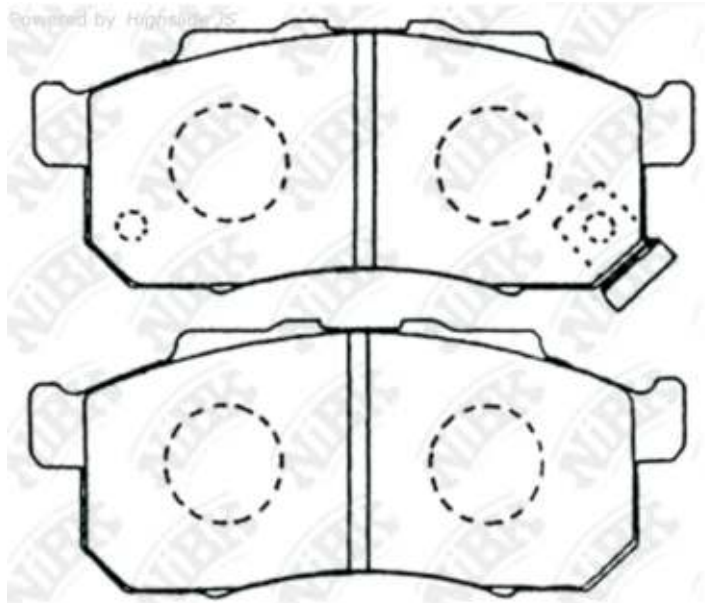
NOTE

104X43

15



无磨具



21005
GDB7090

Apply for:

Honda Life (Ja) 0.7 (Ja4) 1997-2001

SR1260.01

Dimension
(mm)

116.2X76.2/87.8

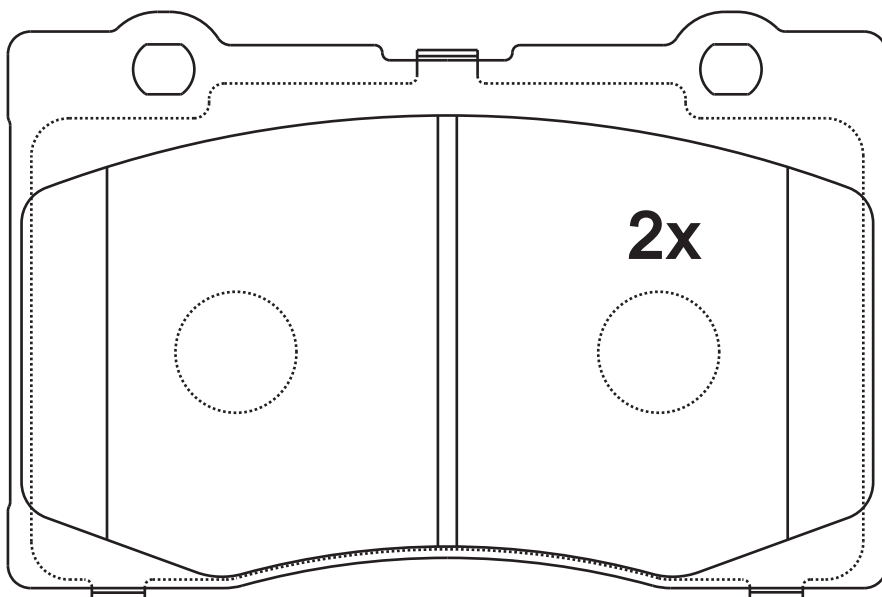
Thickness
(mm)

16.8

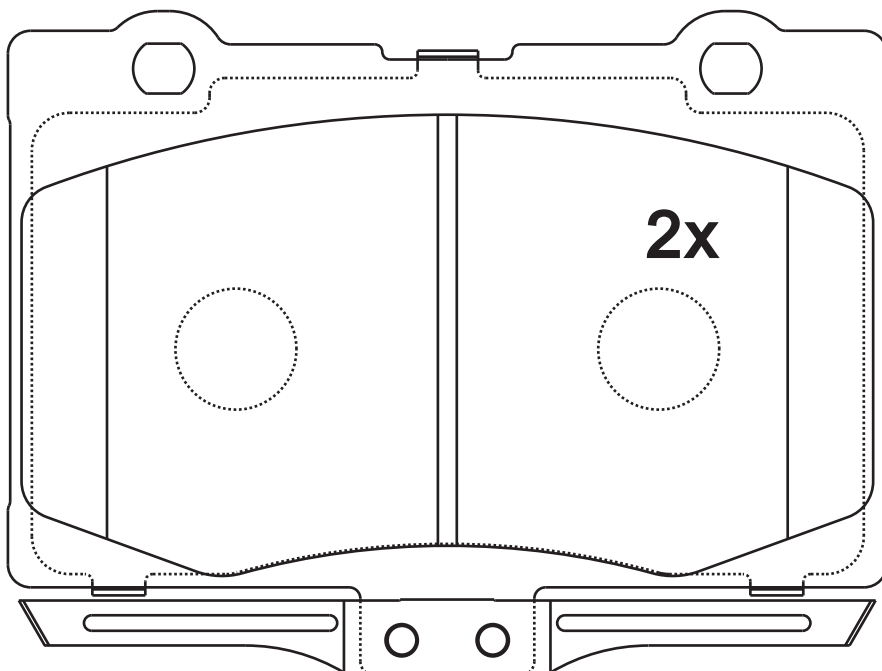


NOTE

2 identical;2 identical



25117



25118

Apply for:

Honda Legend Iv (Kb_)

2004/10-2013/12

SR1261.01

Dimension
(mm)

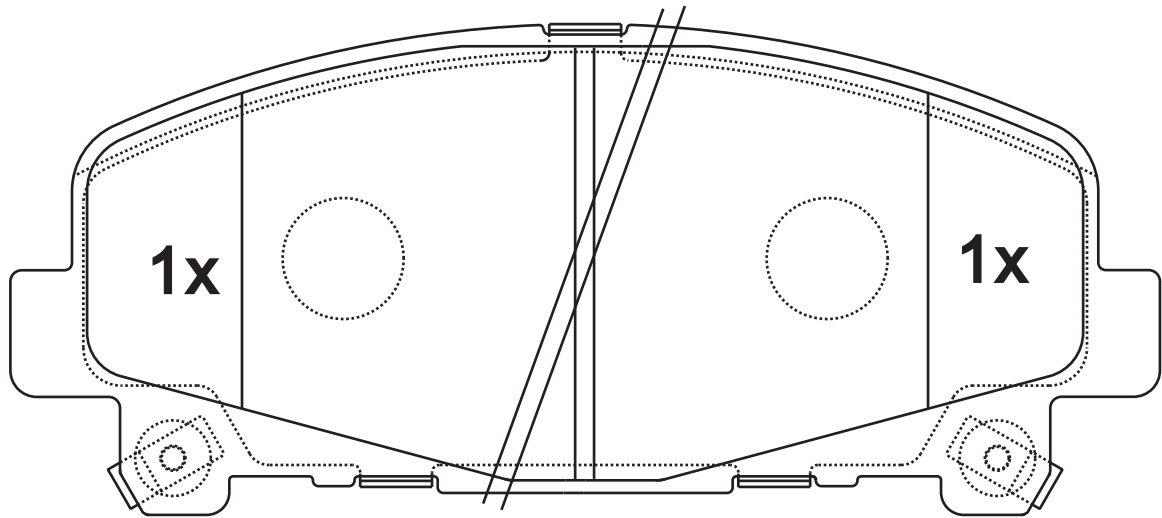
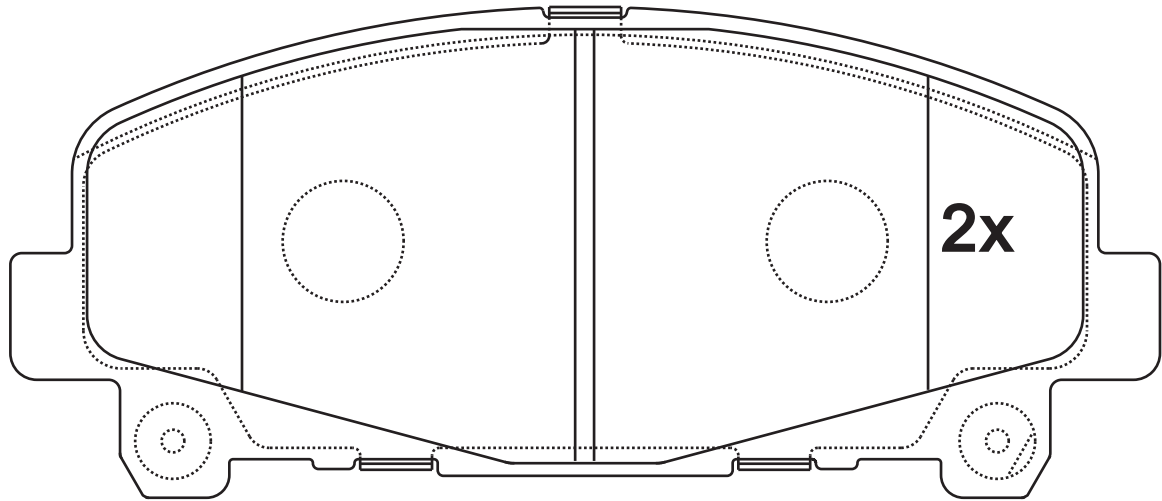
151.8X64.8

Thickness
(mm)

17



NOTE



24766
GDB3477

Apply for:

☒ Honda Accord Viii Estate (Cw)

2008/07-

Acura Tlx

2014/07-

SR1262.01

Dimension
(mm)

Thickness
(mm)

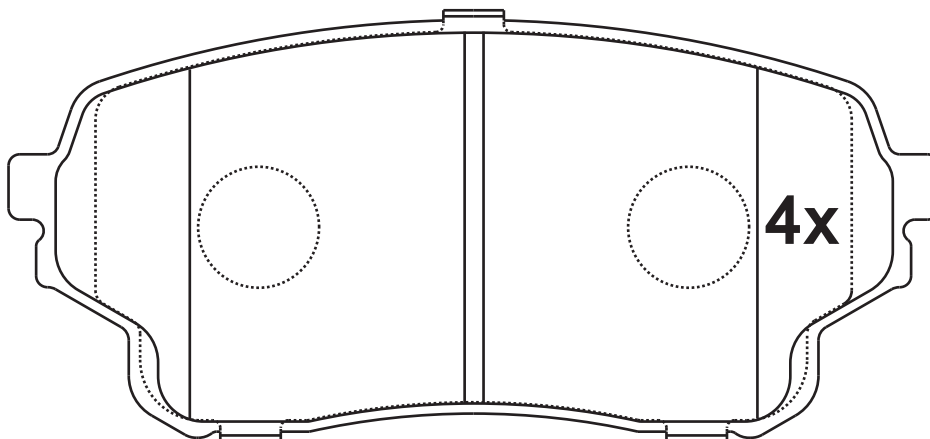


NOTE

4 identical;

123X55.5

16.5



4x



24301
GDB3490

Apply for:

Suzuki Grand Vitara I (Ft, Ht)

1998/03-2006/08

SR1263.01

Dimension
(mm)

Thickness
(mm)



NOTE

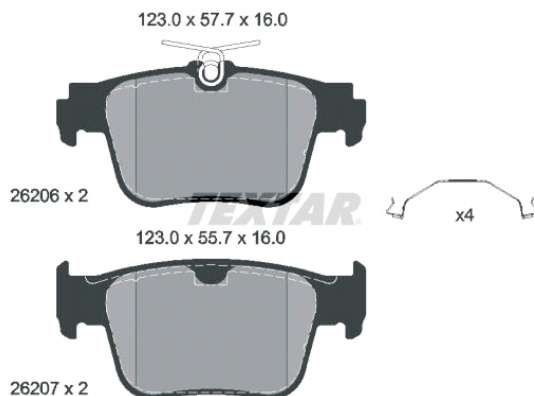
2 identical;2 identical

123.0X55.7
123.0X57.7

16



无模具



Apply for:

奥迪 (一汽奥迪) A388A1.4 35 TFSI
A3L8881.4 35 TFSI

2021 -

2021 -

SR1264.01

Dimension
(mm)

154.6X92.04

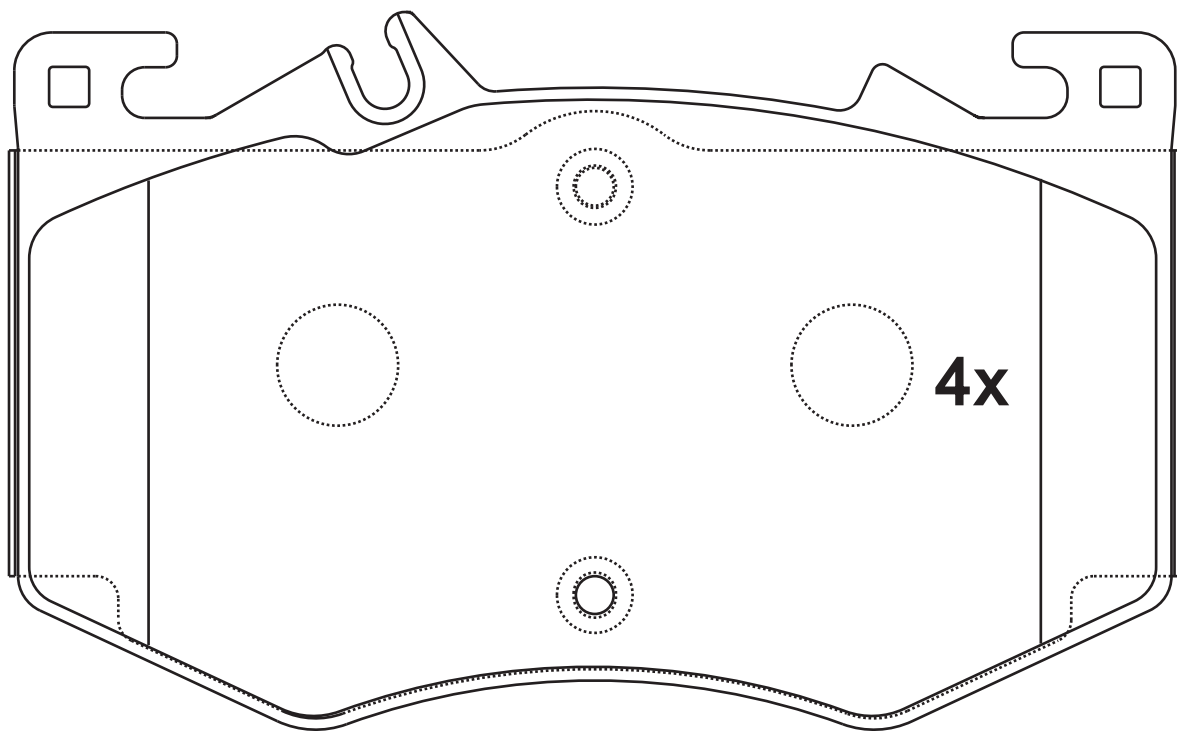
Thickness
(mm)

16.8



NOTE

4 identical;



22893

Apply for:

Mercedes Benz A-Class (W177)

2018/03-

Mercedes Benz Cla Shooting Brake (X118)

2019/06-

SR1265.01

Dimension
(mm)

Thickness
(mm)

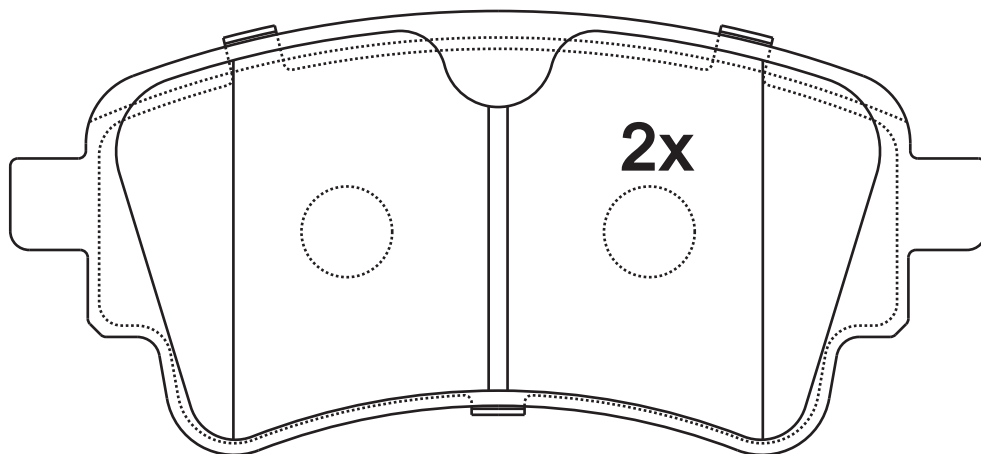


NOTE

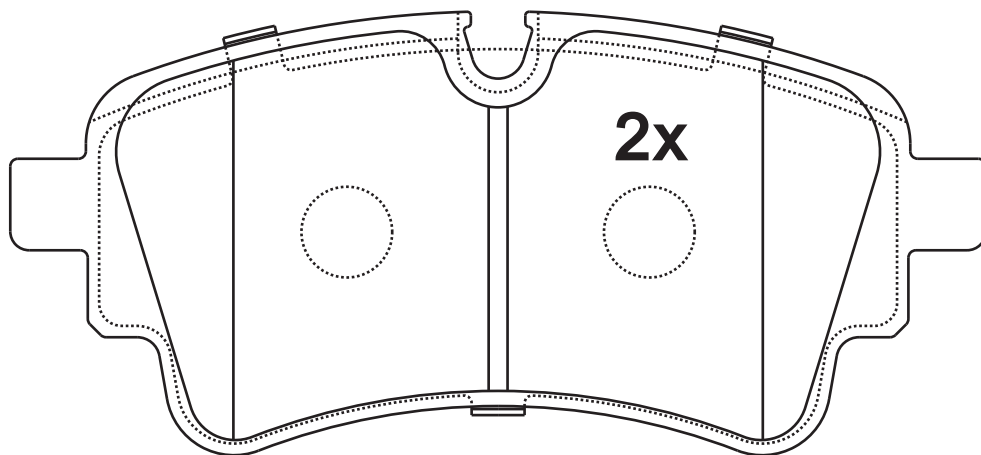
2 identical;2 identical

129.1X58.6

17.5



26265



26266

Apply for:

Audi A4 (8W2, B9)

Audi A5 Convertible (F57)

Audi A6 (C8, 4A2)

Audi A7 Sportback (4Ka)

2015/05-

2016/11-

2018/02-

2017/10-

SR1266.01

Dimension
(mm)

131.9X70.0
131.9X60.0

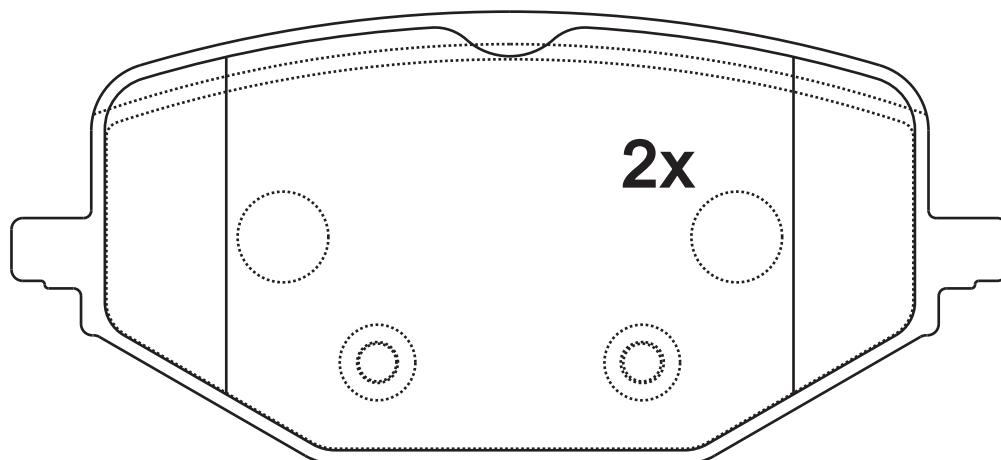
Thickness
(mm)

18.7

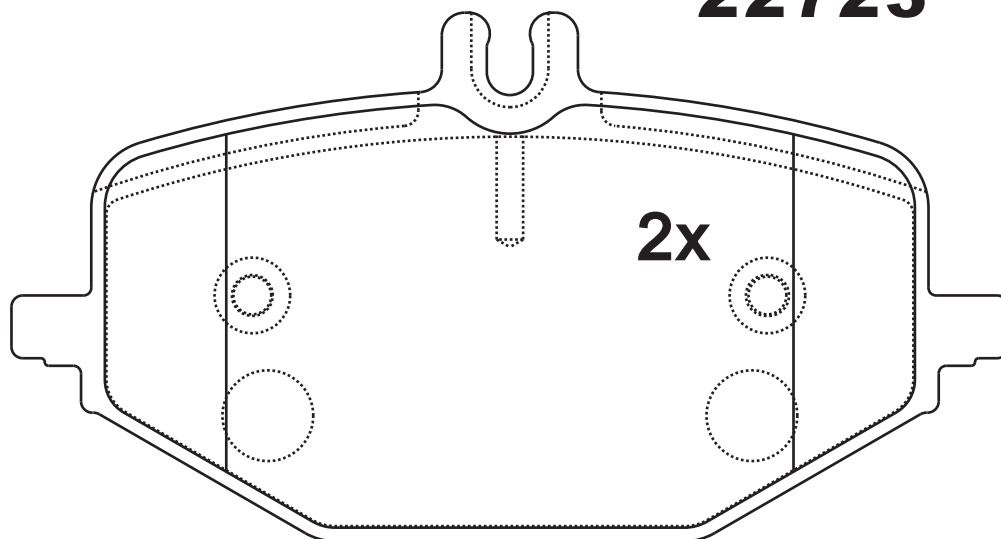


NOTE

2 identical;2 identical



22723



22724

Apply for:

Mercedes Benz Gle (W167)

2018/10-

Mercedes Benz Gle Coupe (C167)

2019/11-

Mercedes Benz Gls (X167)

2019/04-

SR1267.01

Dimension
(mm)

170.3X83.0
170.3X92.3

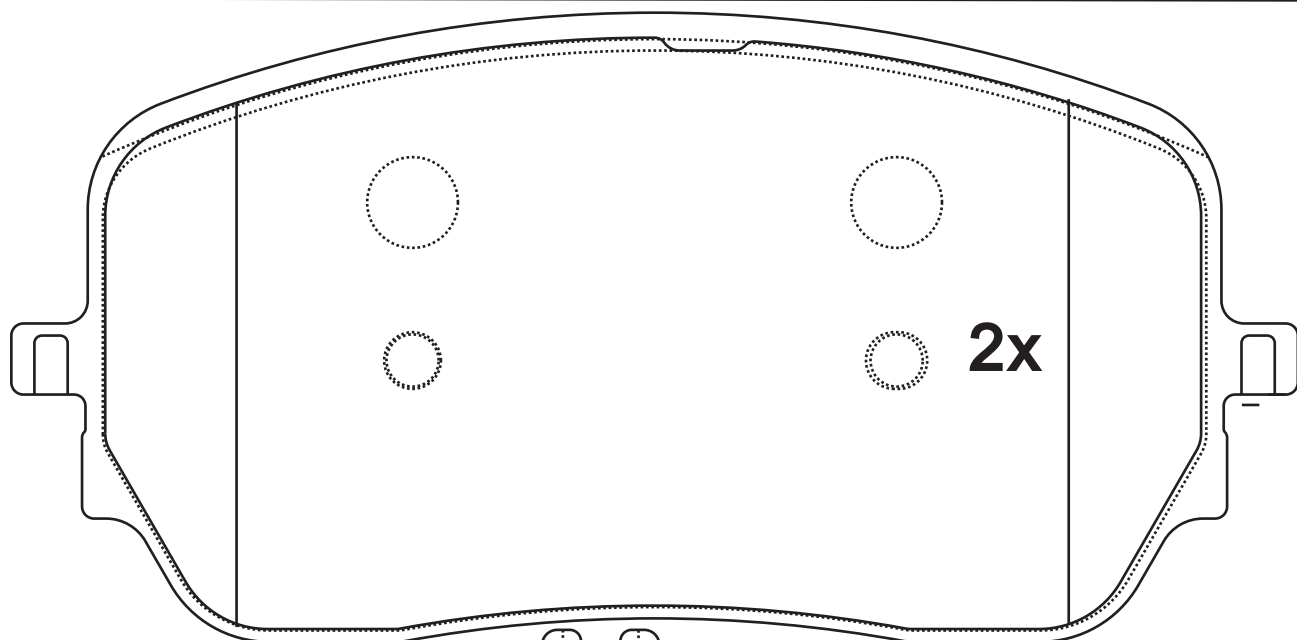
Thickness
(mm)

18.3

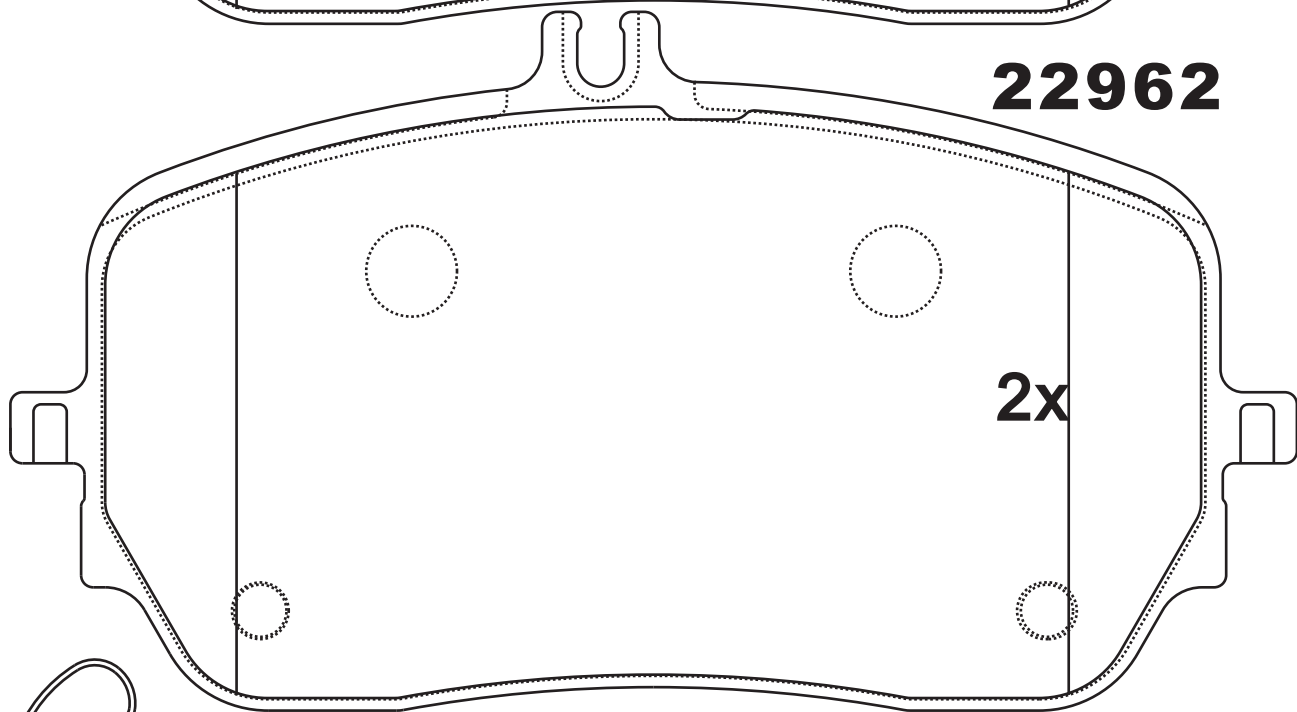


NOTE

2 identical; 2 identical



22962



22963

Apply for:

Mercedes Benz Gle (W167)

2018/10-

Mercedes Benz Gle Coupe (C167)

2019/11-

SR1267

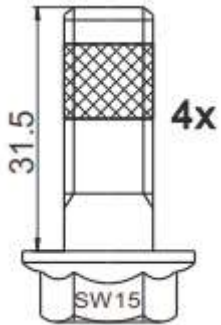
**Dimension
(mm)**

**Thickness
(mm)**

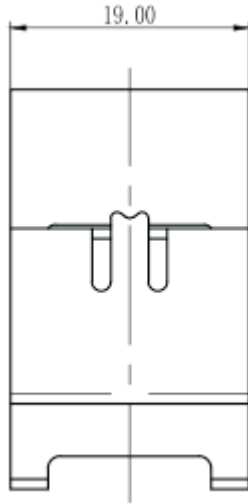


NOTE

**附件包
Accessory bag**



**M10*31.5
L0023*4**



DX0065*8

FJB1267.01

SR1268.01

Dimension
(mm)

140.5X61.1

Thickness
(mm)

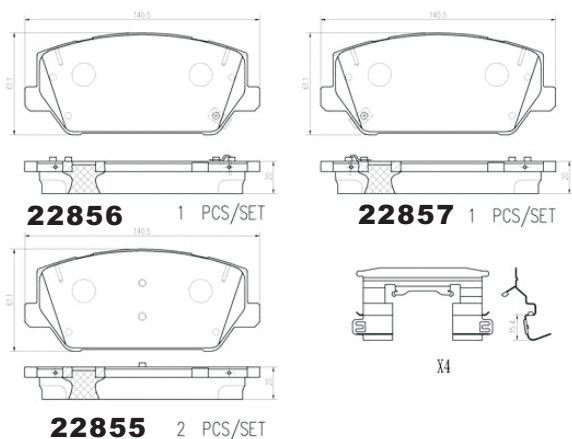
20



NOTE

2 identical;2 identical,1 with acoustic indicator (left),1 with acoustic indicator(right).

无模具



Apply for:

Hyundai I30 (Pde, Pd)

2016/11-

Kia Optima Sportswagon (Jf)

2016/09-

SR1269.01

Dimension
(mm)

129.9X46.9

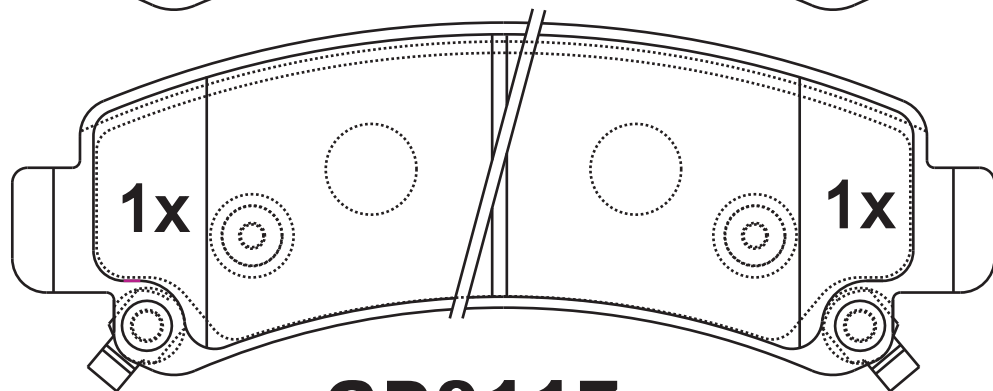
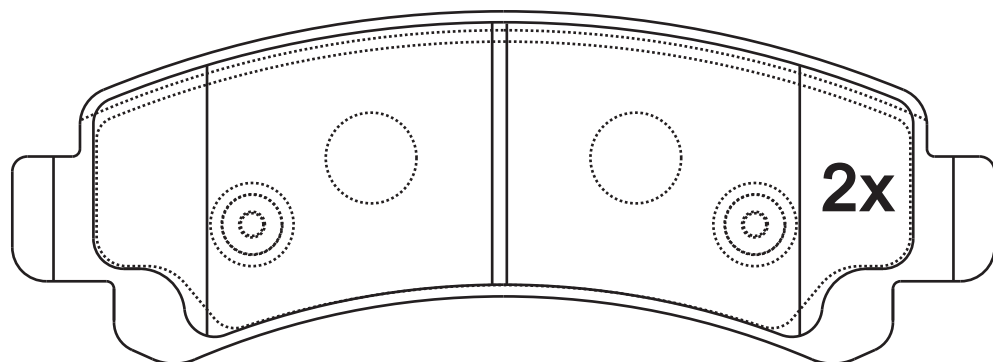
Thickness
(mm)

15.8



NOTE

2 identical; 2 identical, 1 with acoustic indicator (left), 1 with acoustic indicator (right).



GD9117

Apply for:

江铃：域虎7

SR1270.01

Dimension
(mm)

151.8X60.8

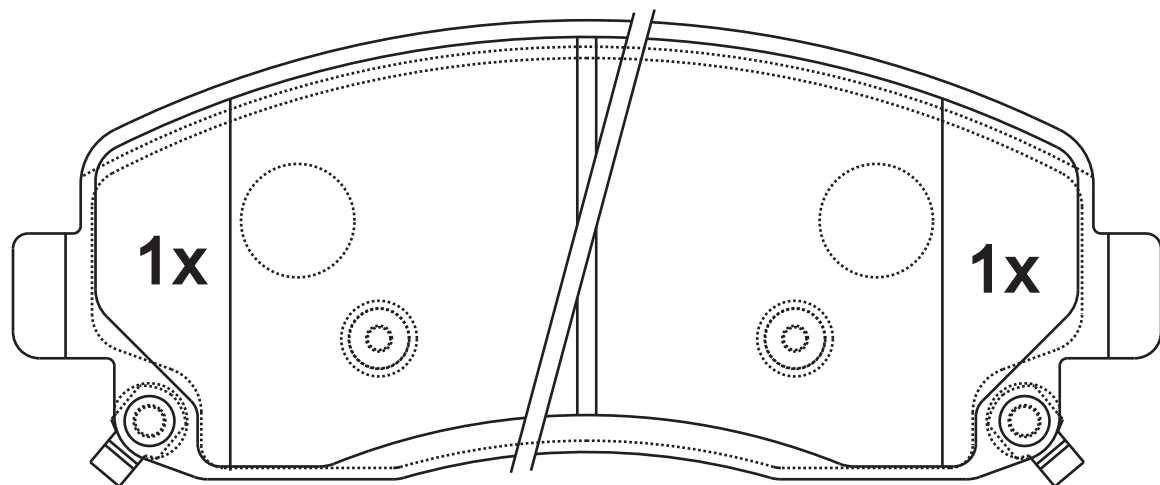
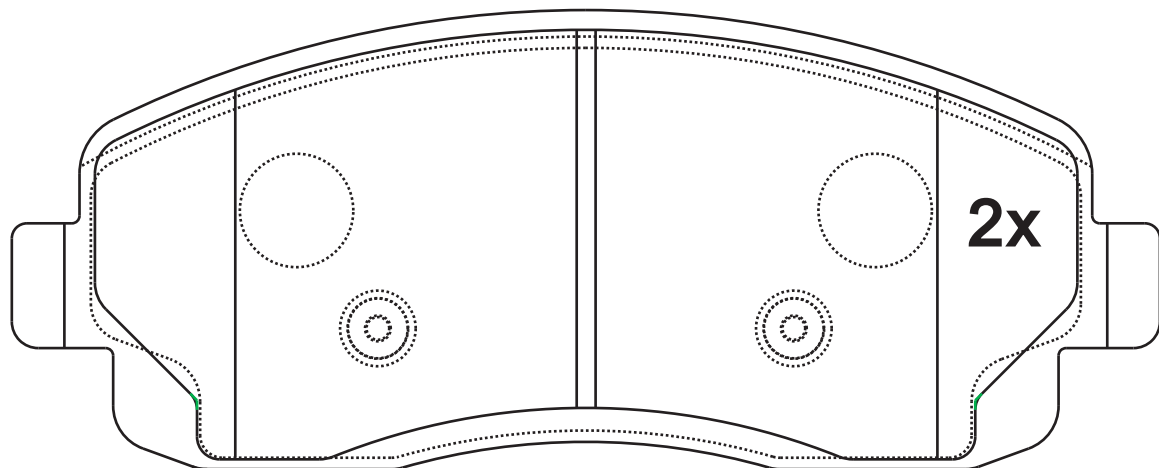
Thickness
(mm)

15.8



NOTE

2 identical; 2 identical, 1 with acoustic indicator (left), 1 with acoustic indicator (right).



GD9116

Apply for:

江铃：域虎7

SR1271.01

Dimension
(mm)

134.8X55.2

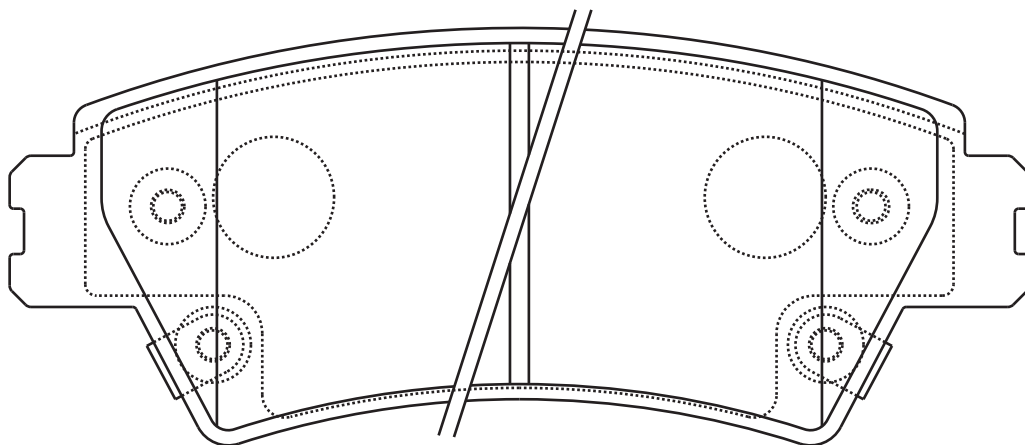
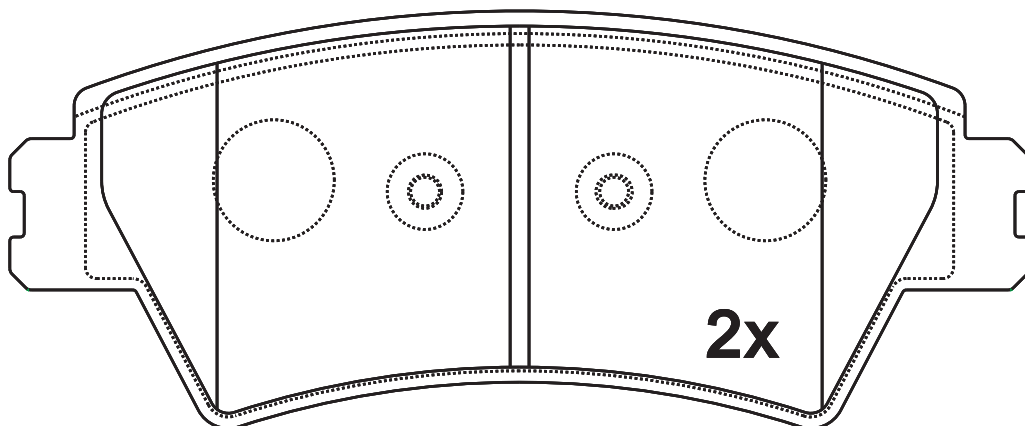
Thickness
(mm)

17



NOTE

2 identical;2 identical,1 with acoustic indicator (left),1 with acoustic indicator(right).



Apply for:
比亚迪 秦

SR1271.02

Dimension
(mm)

134.8X55.2

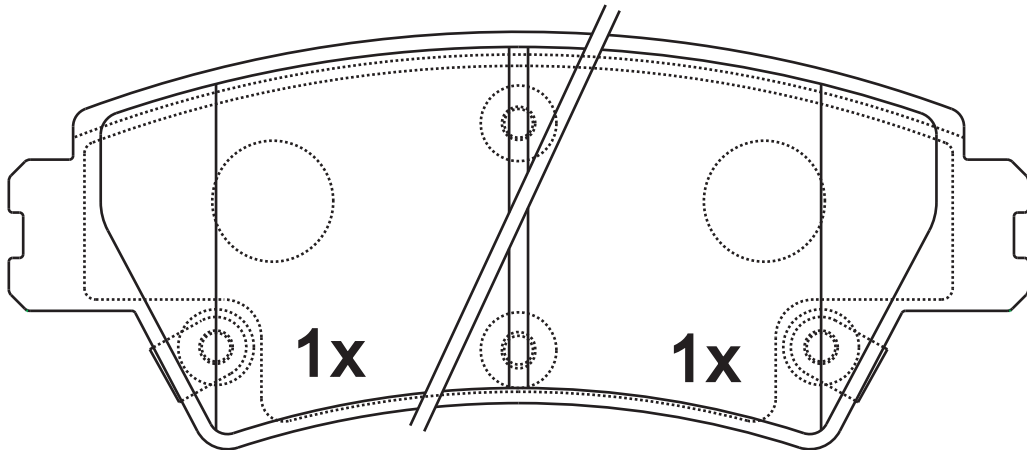
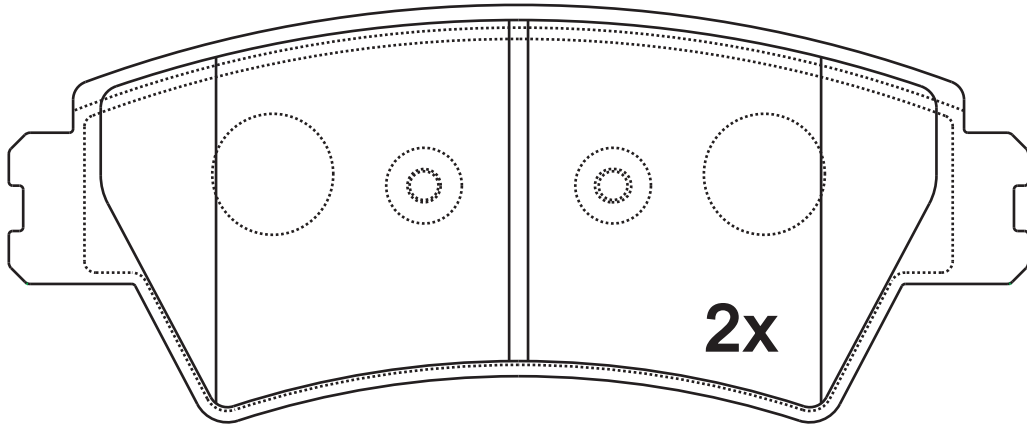
Thickness
(mm)

17



NOTE

2 identical; 2 identical, 1 with acoustic indicator (left), 1 with acoustic indicator (right).



Apply for:
比亚迪 秦

SR1272.01

Dimension
(mm)

142.6X69.5

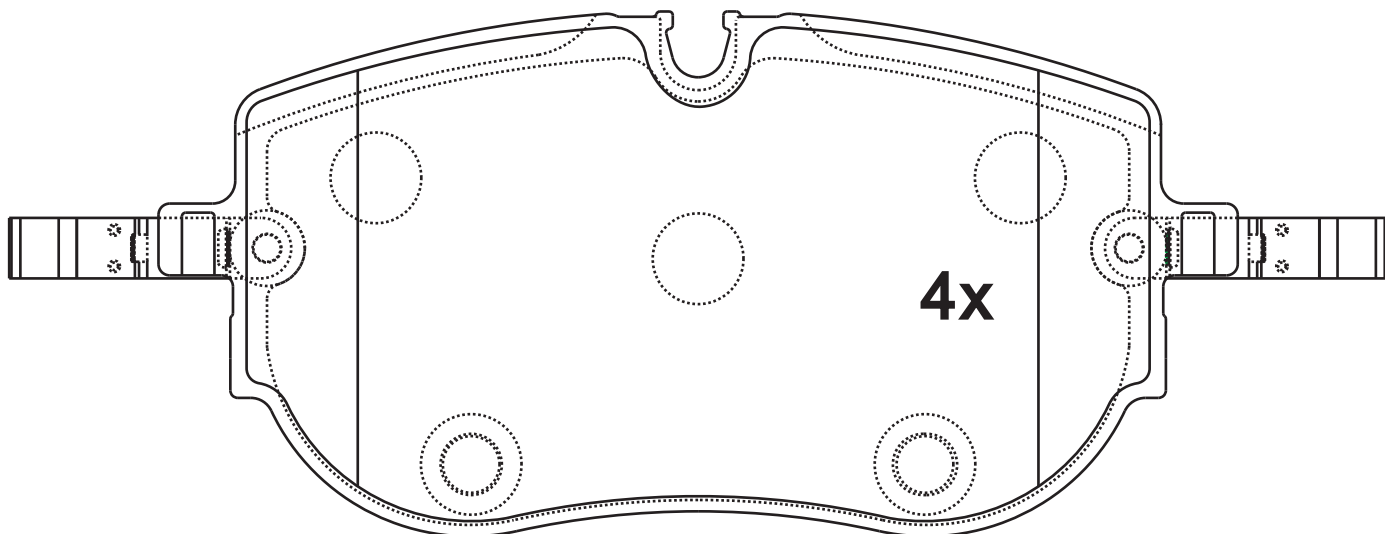
Thickness
(mm)

15.5



NOTE

4 identical;



8x



26416

Apply for:

AUDI Q4 Sportback (F4N) 35 e-tron 2021-

CUPRA BORN (K11) 45 2021-

VW ID.4 (E21) Pro 2021-

SR1272

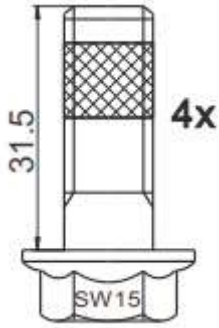
**Dimension
(mm)**

**Thickness
(mm)**

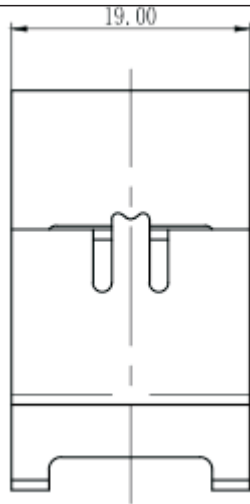


NOTE

**附件包
Accessory bag**



**M10*31.5
L0023*4**



FJB1272.01 DX0065*8



X0363B 总长280 **1x**

FJB1X0363B

SR1273.01

Dimension
(mm)

151.6X61

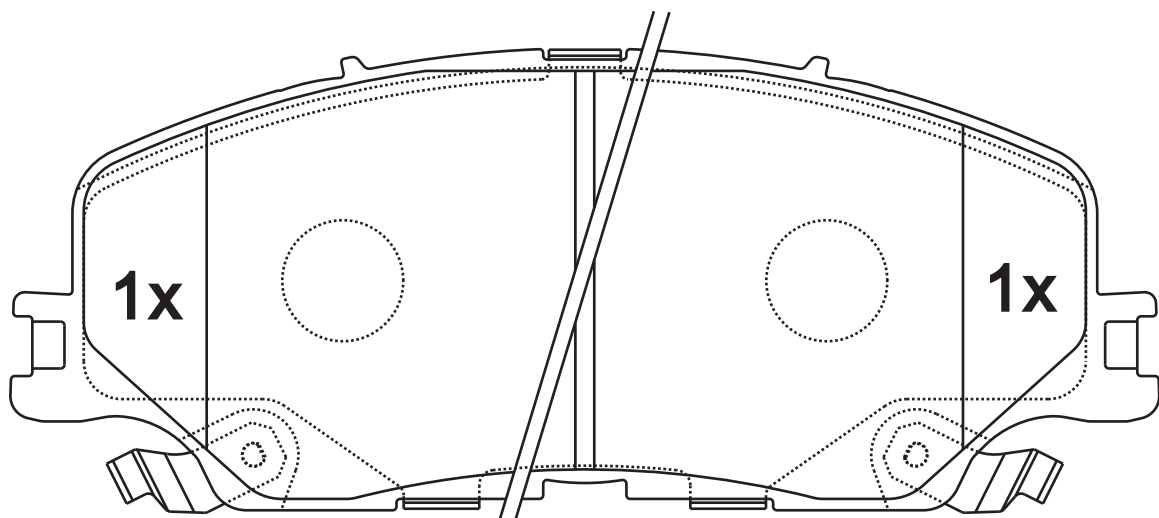
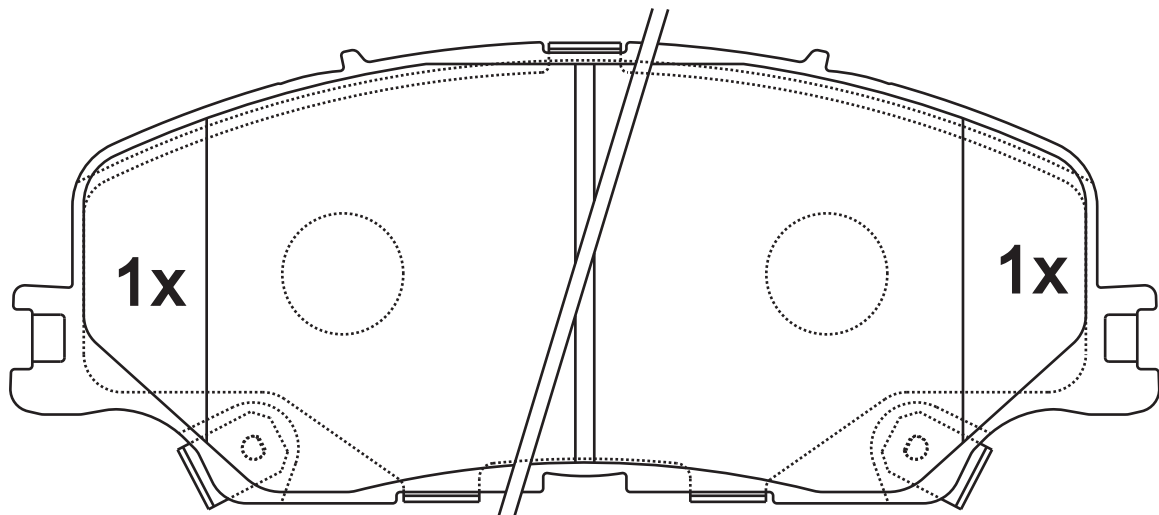
Thickness
(mm)

17



NOTE

1 identical;1 identical,1 with acoustic indicator (left),1 with acoustic indicator(right).



OE:8975056800

Apply for:

英菲尼迪 (进口)

2014-

SR1273

**Dimension
(mm)**



**Thickness
(mm)**



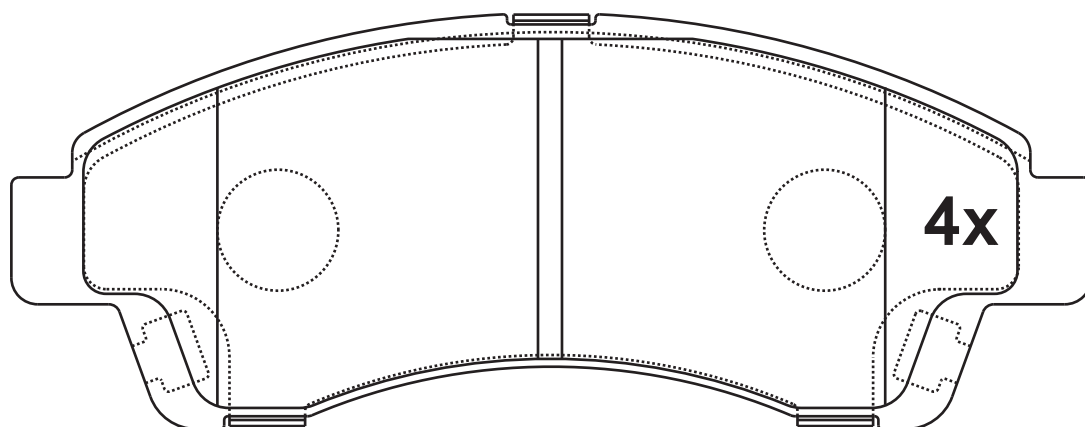
NOTE

**附件包
Accessory bag**



SR1274.01	Dimension (mm)	Thickness (mm)		NOTE 4 identical;
	142.8X54.8	16.6		

暂未开模



GDB7588



Apply for:

马自达 B系列皮卡车(UF) 1985/01-1999/12

SR1275.01

Dimension
(mm)

153.7X63.9
153.7X64.5

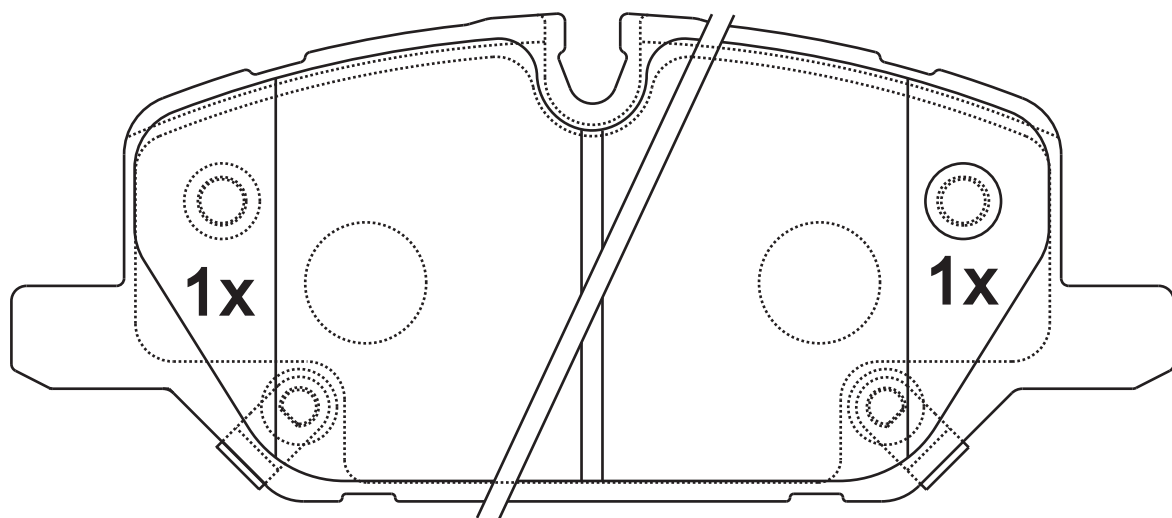
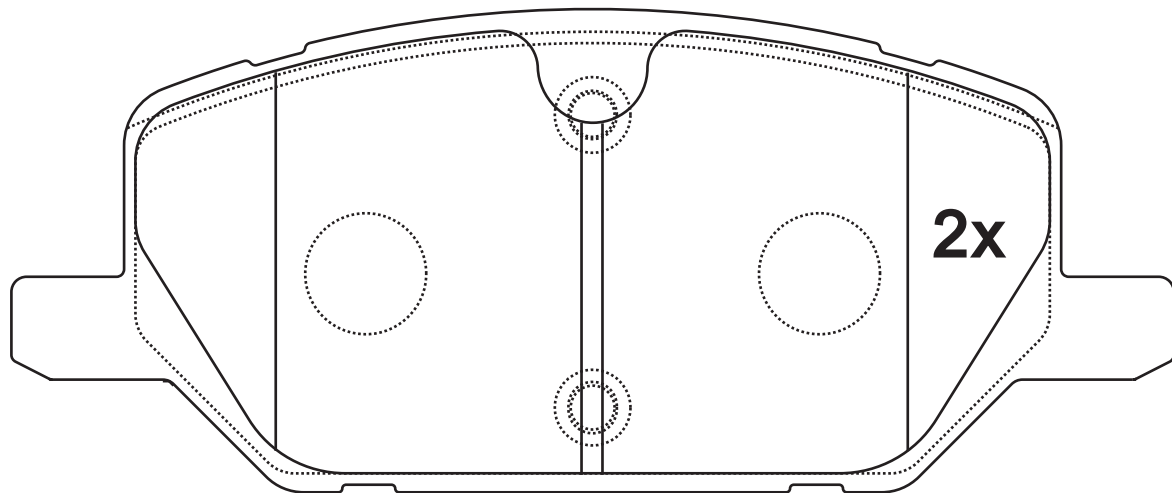
Thickness
(mm)

19.2



NOTE

2 identical; 2 identical, 1 with acoustic indicator (left), 1 with acoustic indicator (right).



D2314

Apply for:
凯迪拉克CT5

SR1276.01

Dimension
(mm)

135.9X58.7

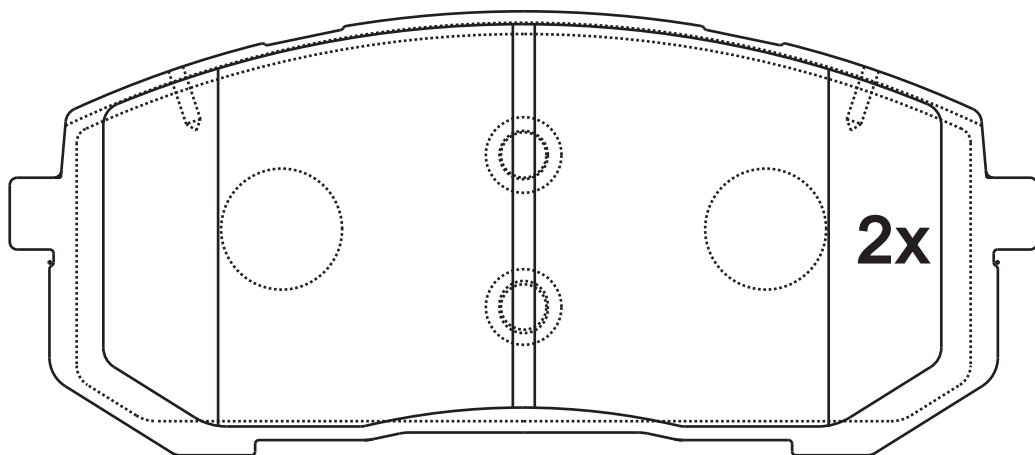
Thickness
(mm)

17.4

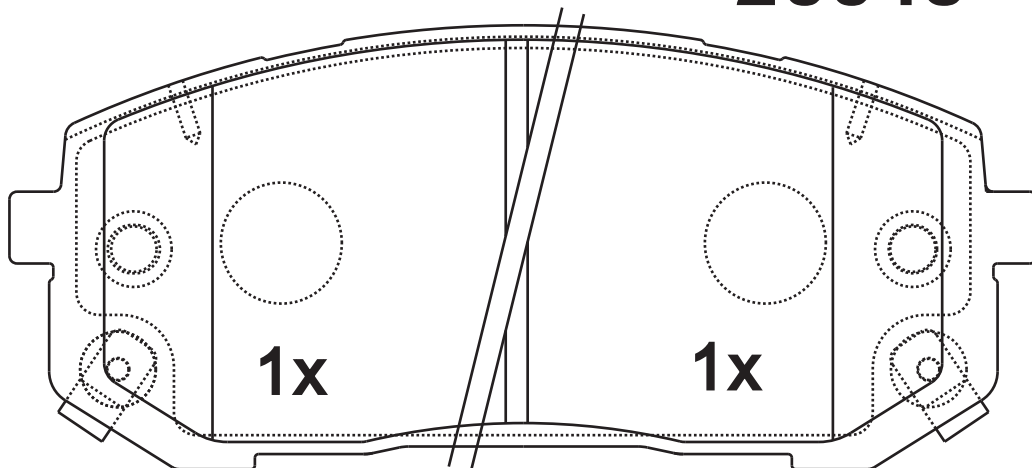


NOTE

2 identical; 2 identical, 1 with acoustic indicator (left), 1 with acoustic indicator (right).



26645



26647

26646

Apply for:

HYUNDAI ELANTRA

2021-

SR1277.01

Dimension
(mm)

154.2X63.5

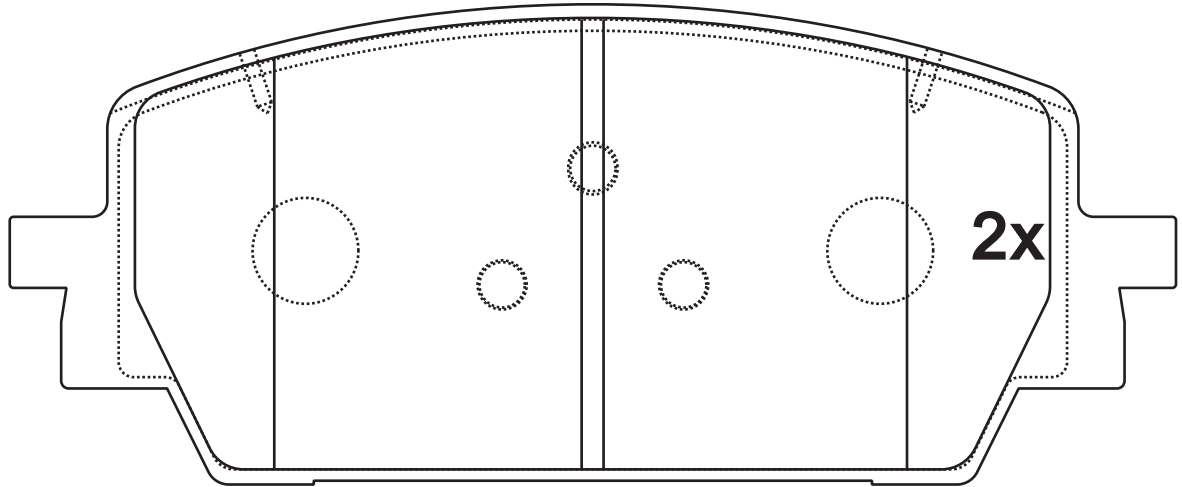
Thickness
(mm)

17.4

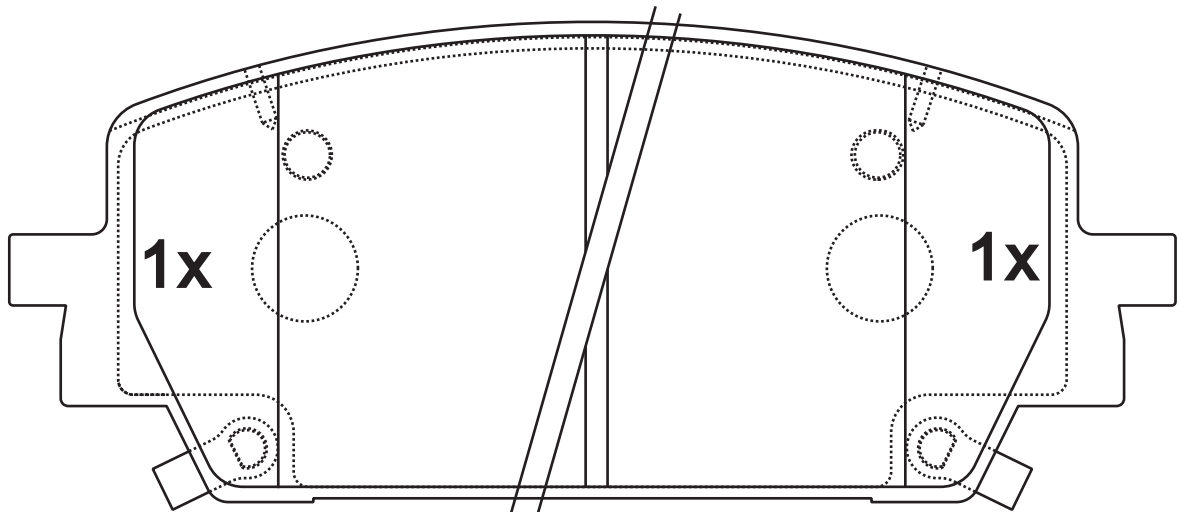


NOTE

2 identical; 2 identical, 1 with acoustic indicator (left), 1 with acoustic indicator (right).



26465



26466

26467

Apply for:
SANTA FE 2021-

SR1278.01

Dimension
(mm)

124.8X50.5

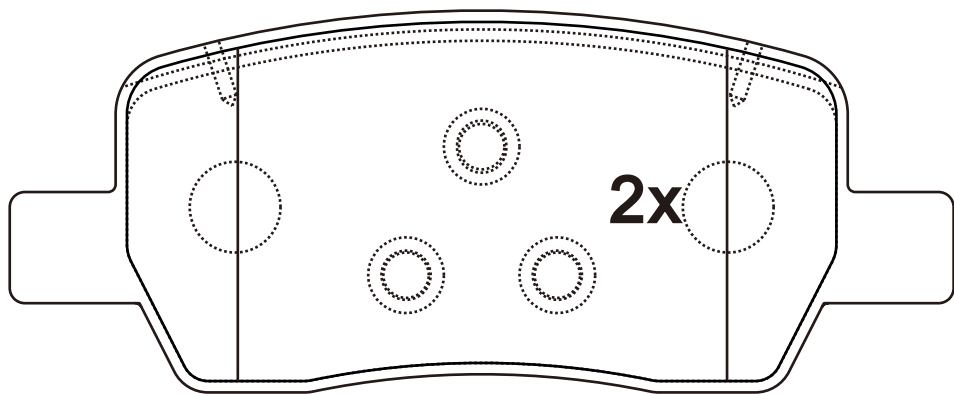
Thickness
(mm)

15.6

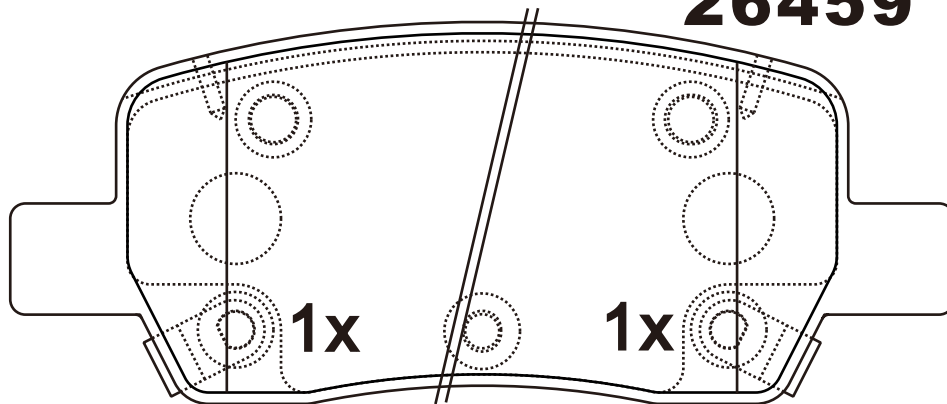


NOTE

2 identical; 2 identical, 1 with acoustic indicator (left), 1 with acoustic indicator (right).



26459



26461

26460

Apply for:

现代 (进口) SANTA FE IV (TM, TMA) 1.6 T-GDI Hybrid

2020-

起亚 (进口) SORENTO IV (MQ4, MQ4A) 1.6 T-GDi Hybrid

2020-

SR1279.01

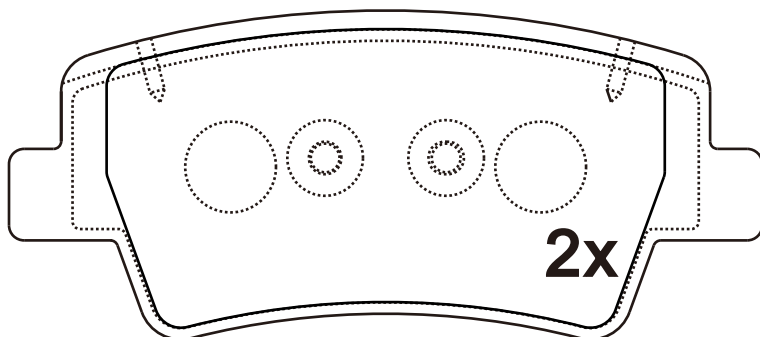
Dimension
(mm)

Thickness
(mm)

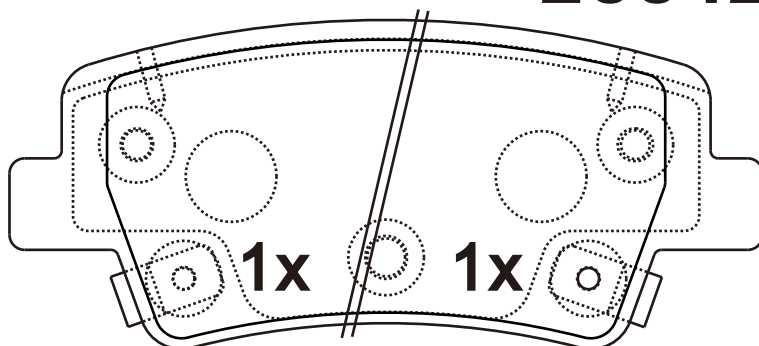


NOTE

2 identical;2 identical,1 with acoustic indicator (left),1 with acoustic indicator(right).



26642



26643

26644

Apply for:
ELAENTRA 2021-

SR1280.01

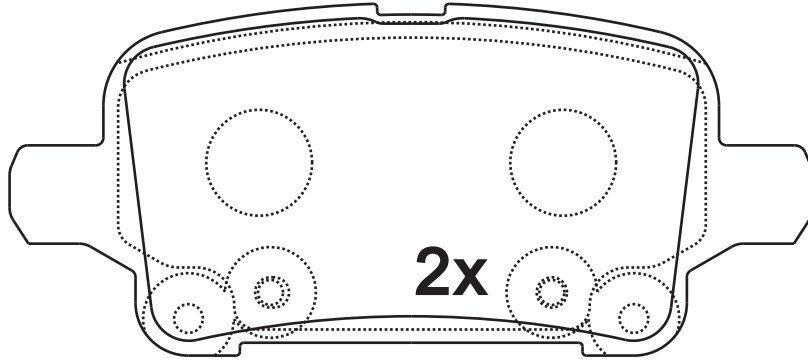
**Dimension
(mm)**

**Thickness
(mm)**

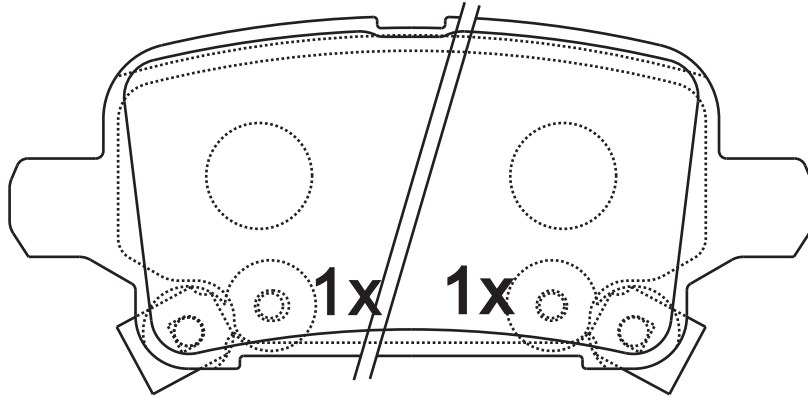


NOTE

2 identical; 2 identical, 1 with acoustic indicator (left), 1 with acoustic indicator (right).



22925



22923

22924

Apply for:

别克 (上汽通用)
雪佛兰 (进口)

LACROSSE (EG6) 1.5 20T
EQUINOX 1.5

2016-
2017-

SR1281.01

**Dimension
(mm)**

154.3×51.7

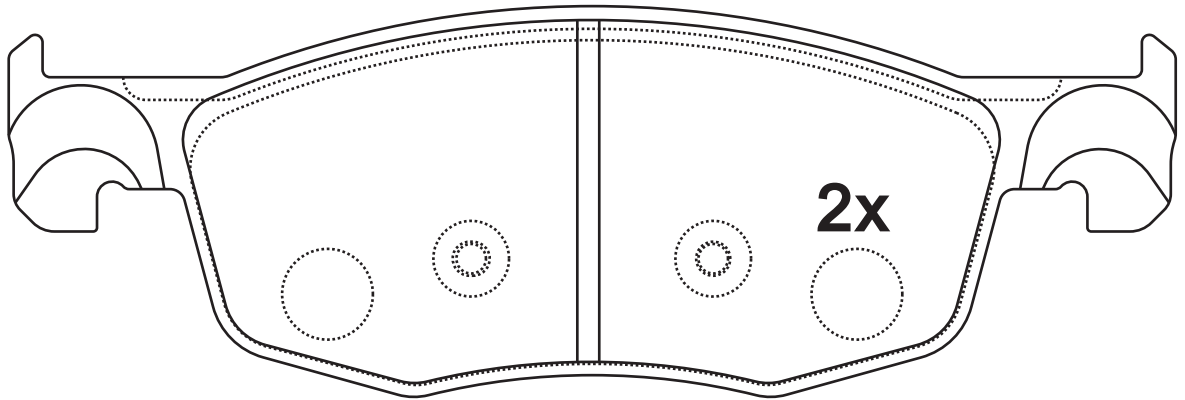
**Thickness
(mm)**

17



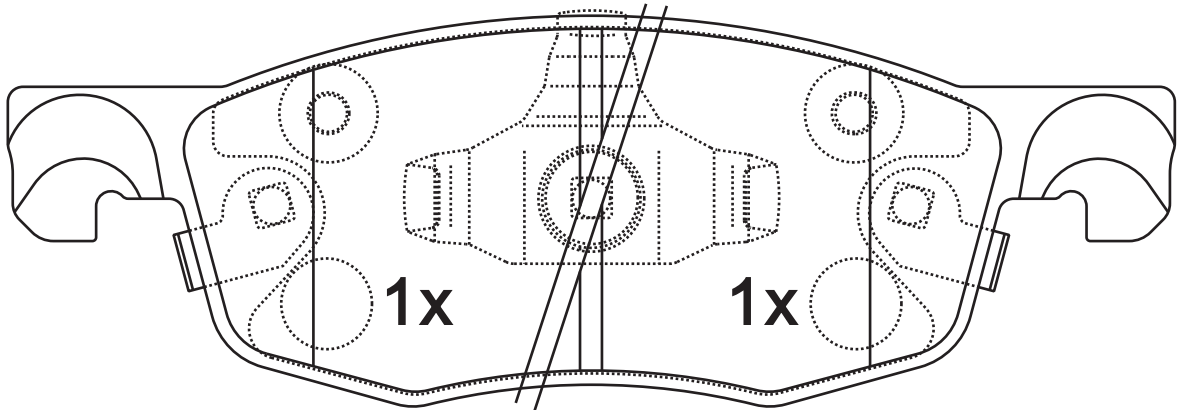
NOTE

2 identical; 2 identical, 1 with acoustic indicator (left), 1 with acoustic indicator (right).



2x

26444



1x

1x

26445

26446

Apply for:

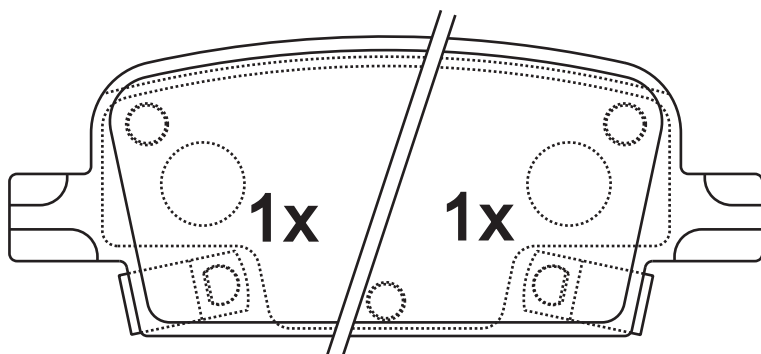
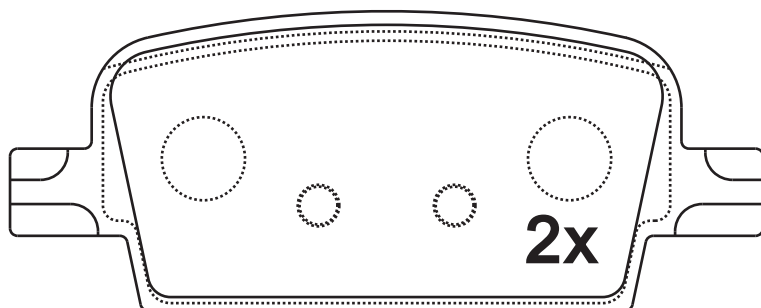
Toyota Yaris (_P21_, _Pa1_, _Ph1_)

2020/02-

SR1282.01

Dimension (mm)	Thickness (mm)	
99.6×39.6	16.5	

NOTE
2 identical; 2 identical, 1 with acoustic indicator (left), 1 with acoustic indicator (right).



OE:23498304

Apply for:

雪佛兰 (进口)

MALIBU 1.5 T

2016-

SR1283.01

**Dimension
(mm)**

155.2×64.4

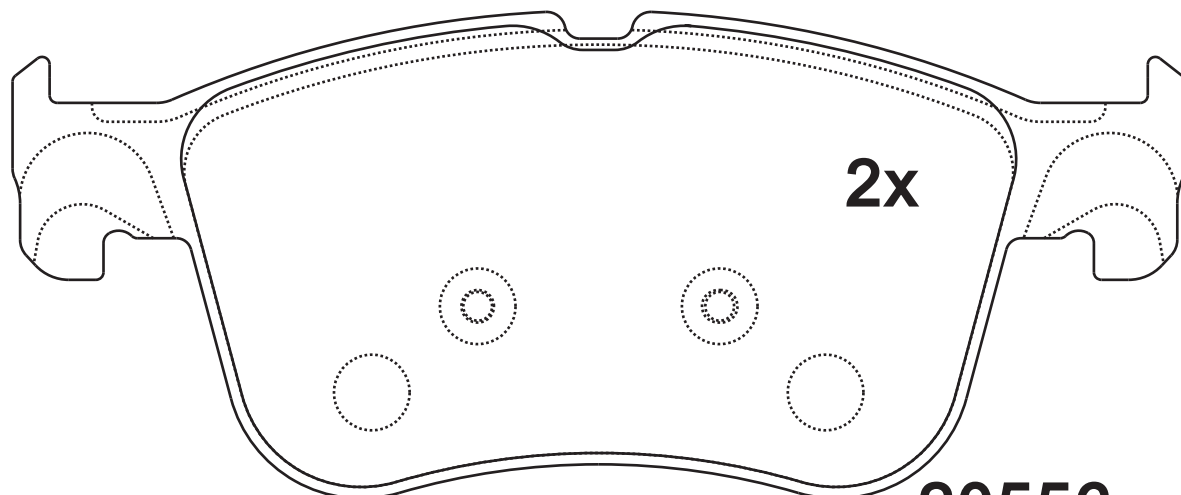
**Thickness
(mm)**

16.8

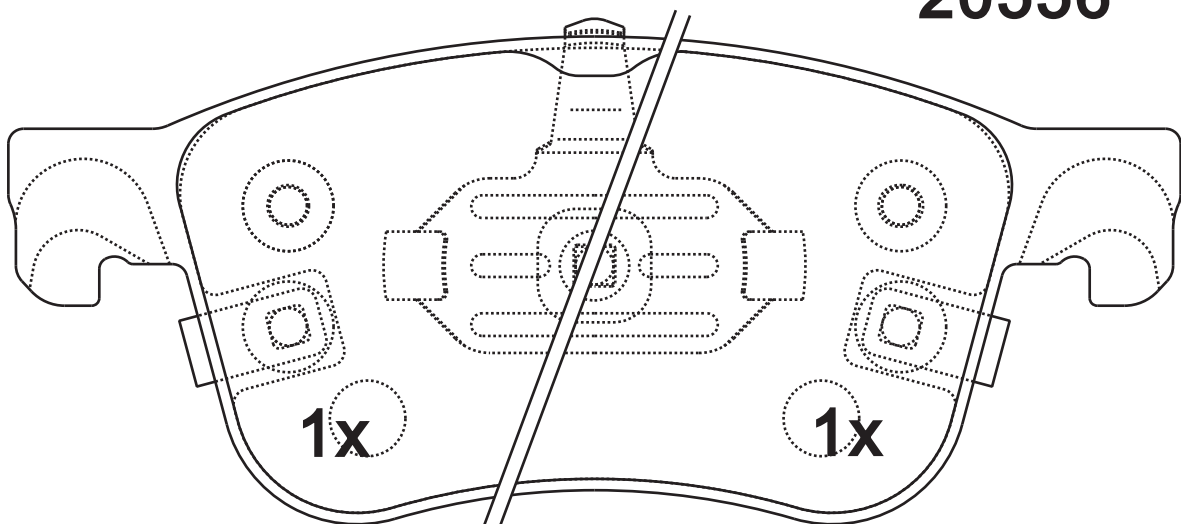


NOTE

2 identical; 2 identical, 1 with acoustic indicator (left), 1 with acoustic indicator (right).



20556



20559

20558

Apply for:

Ford Focus Iv (Hn)

2018/01-

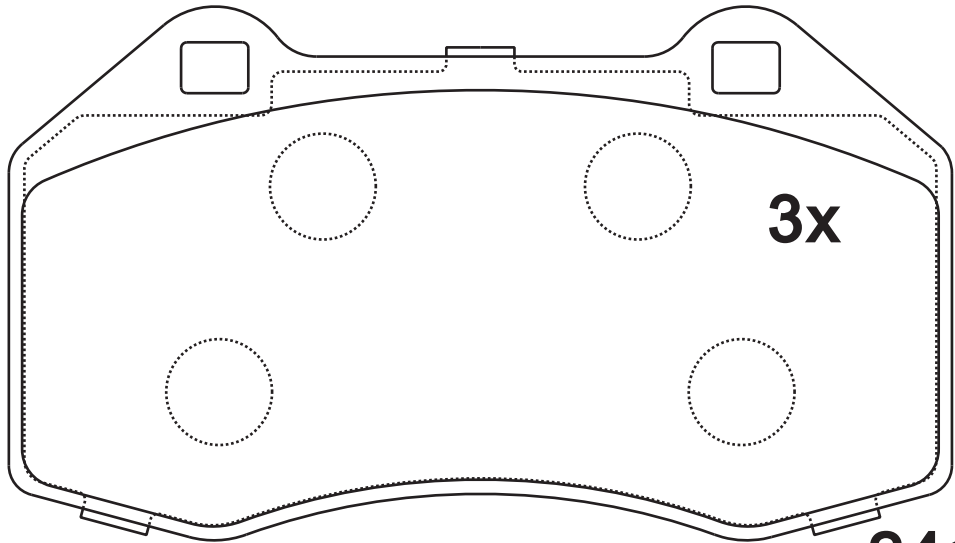
Ford Focus Iv Saloon (Hm)

2018/11-

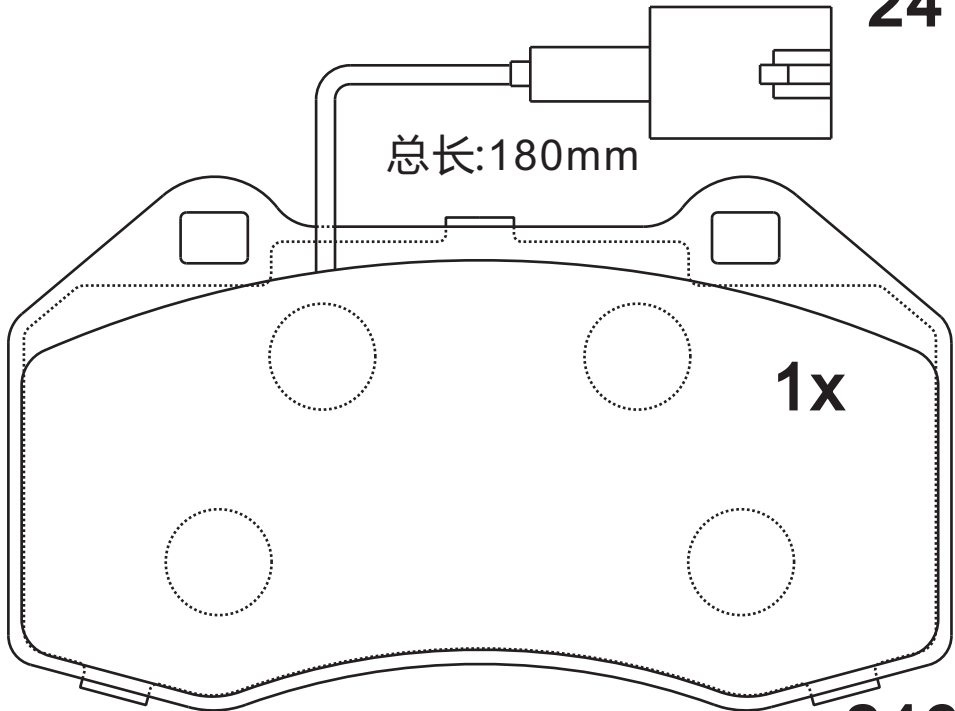
SR1284.01

Dimension (mm)	Thickness (mm)	
124.8×70.8	15.2	

NOTE
4 identical; 1 with warn contact



24162



24687

Apply for:

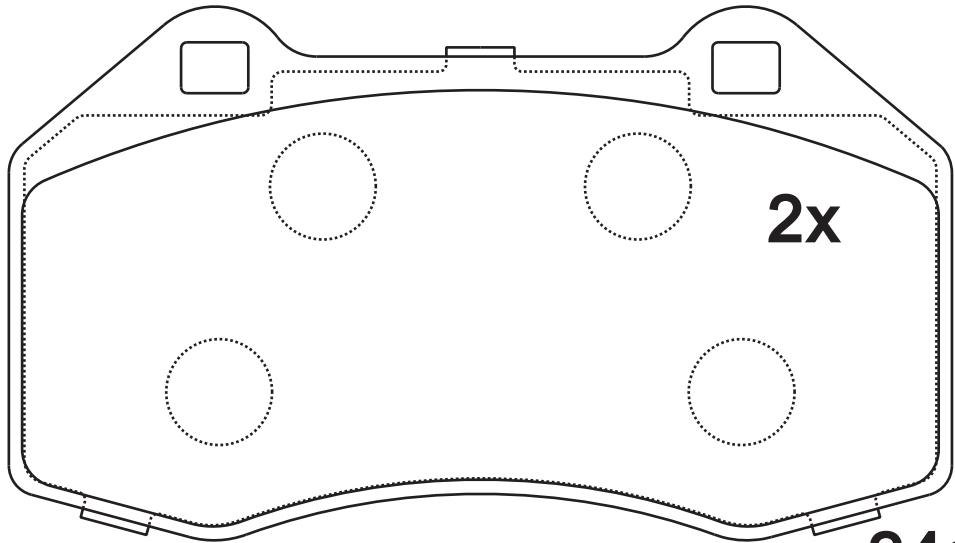
- Alfa Romeo Mito (955_) 2008/08-
- Fiat 500 (312_) 2007/07-
- Fiat Grande Punto (199_) 2005/06-

SR1284.02

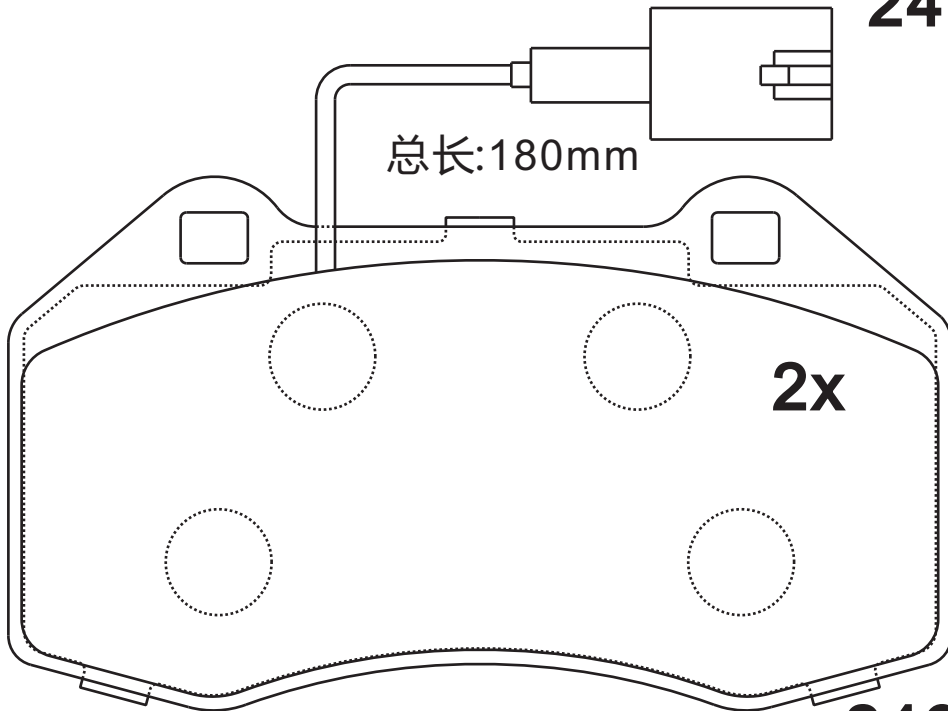
Dimension (mm)	Thickness (mm)	
124.8×70.8	15.2	

NOTE

4 identical; 2 with warn contact



24162



24687

Apply for:

Alfa Romeo Mito (955_)

2008/08-

Fiat 500 (312_)

2007/07-

Fiat Grande Punto (199_)

2005/06-

SR1284.03

**Dimension
(mm)**

**Thickness
(mm)**

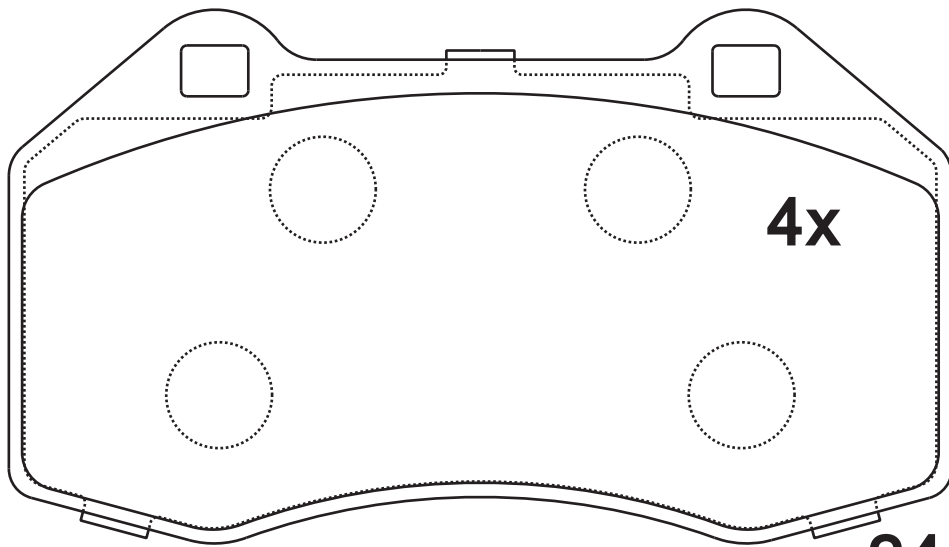


NOTE

4 identical;

124.8×70.8

15.2



24162

Apply for:

RENAULT CLIO III (BR0/1, CR0/1)

2005/01-

RENAULT MEGANE III Coupe (DZ0/1_)

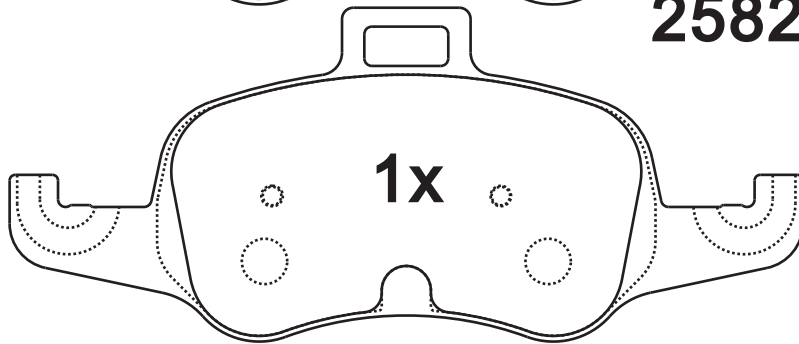
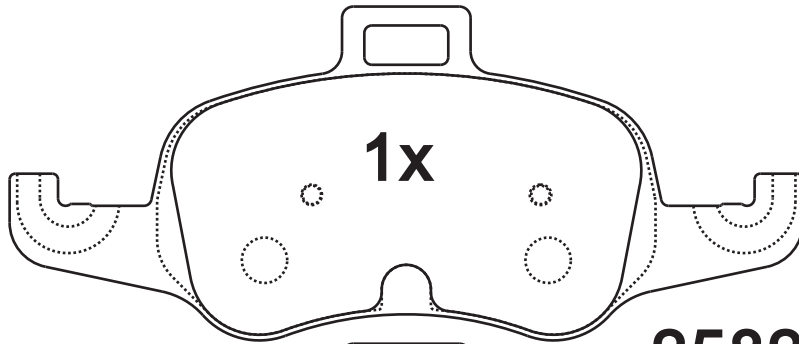
2008/11-

SR1285.01

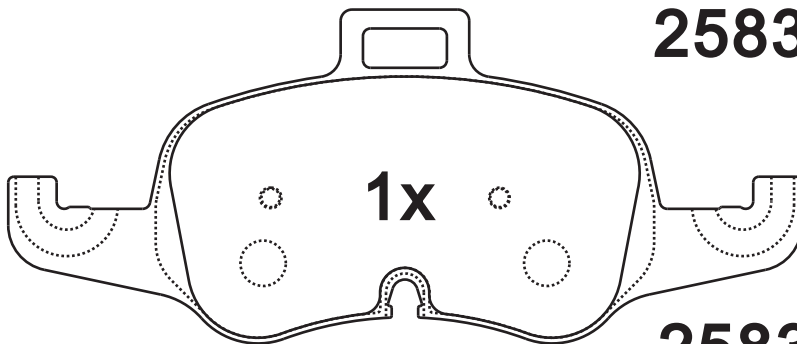
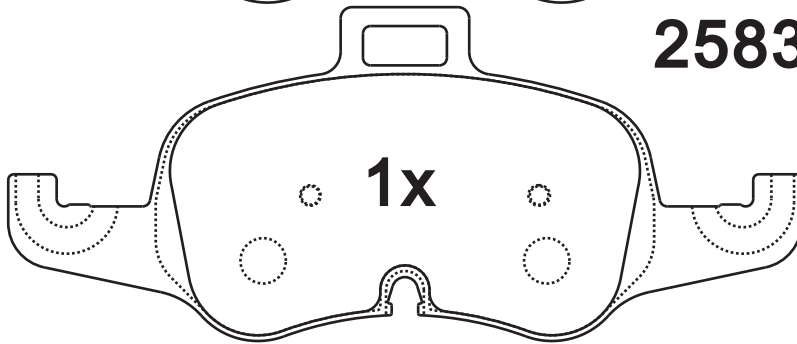
Dimension (mm)	Thickness (mm)	
210×88.5	16.3	

NOTE

1 identical;1 identical,1 with acoustic indicator (left),1 with acoustic indicator(right).



1:2



Apply for:

- Audi Tt (Fv3, Fvp) 2015-2018
- Audi Tt (Fv3, Fvp) 2014-
- Audi Tt Roadster (Fv9, Fvr) 2014-

SR1286.01

**Dimension
(mm)**

155.2×56.3

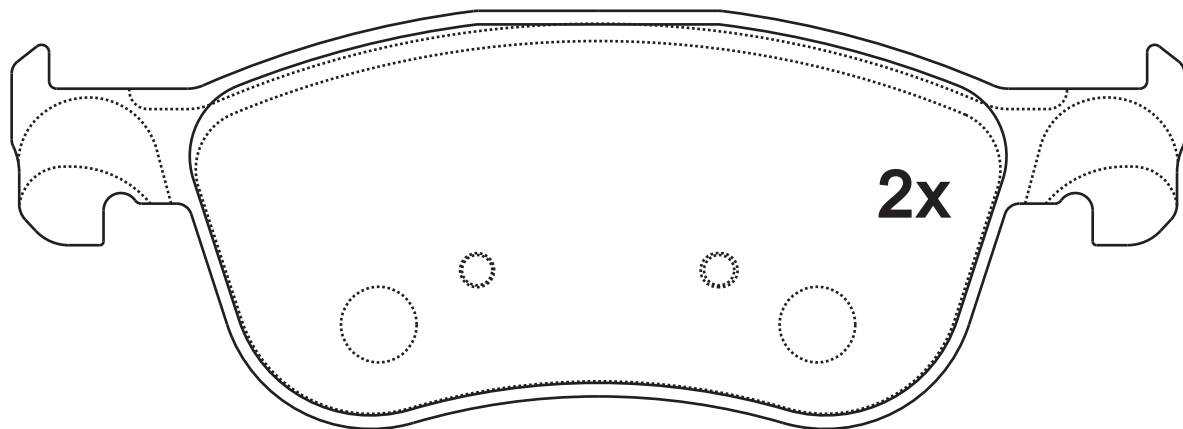
**Thickness
(mm)**

16

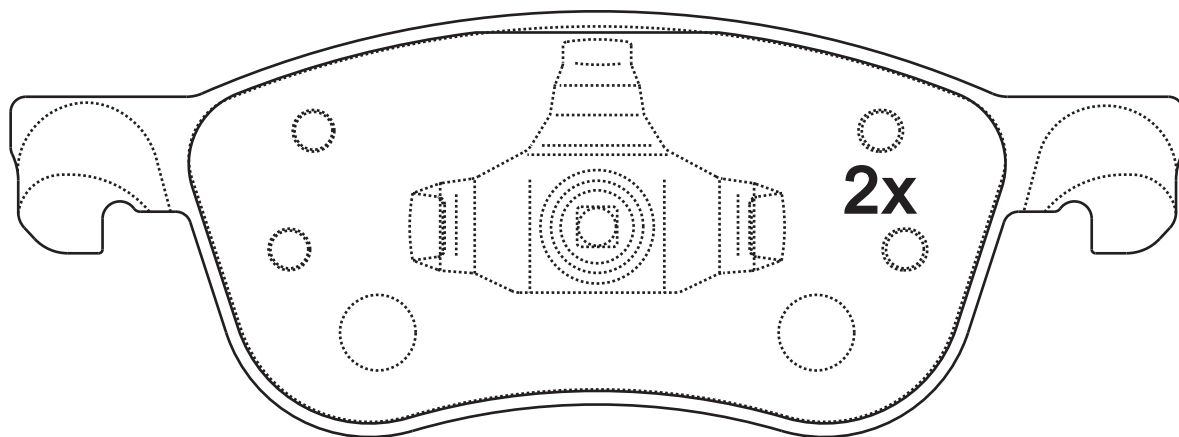


NOTE

2 identical;2 identical;



22748



22749

Apply for:

Ford Fiesta Vii
Ford Fiesta Vii Van

2017/01-
2018/09-

SR1287.01

**Dimension
(mm)**

193×76.5

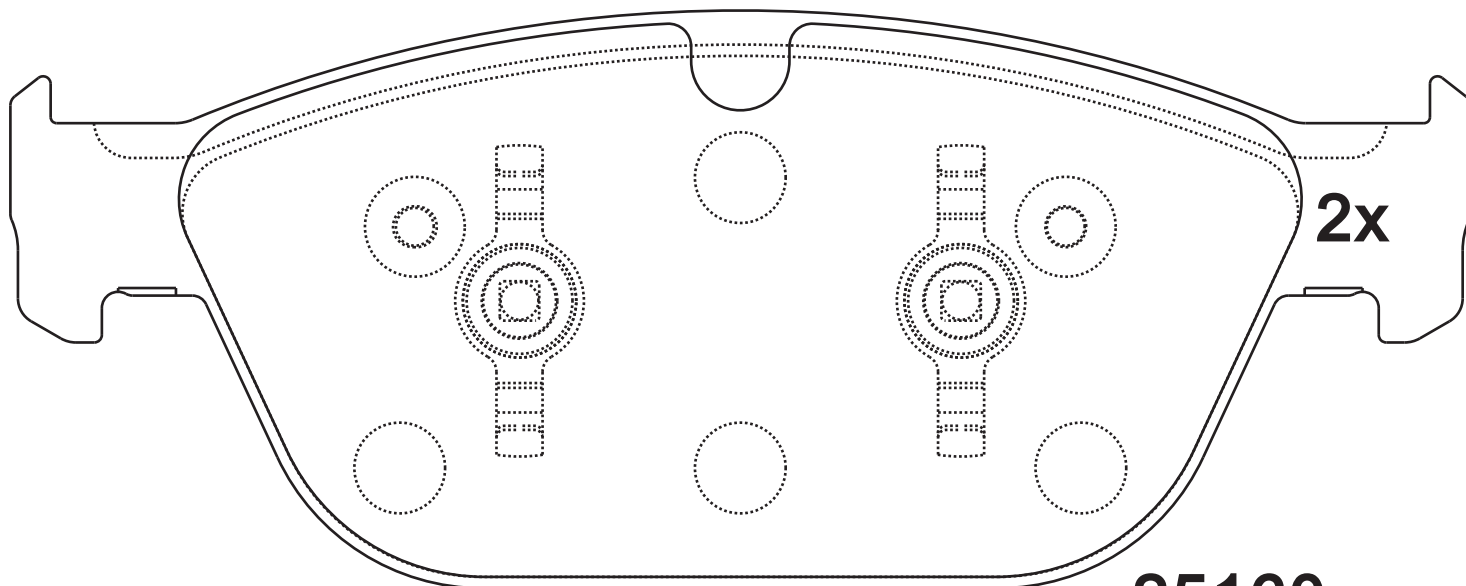
**Thickness
(mm)**

20

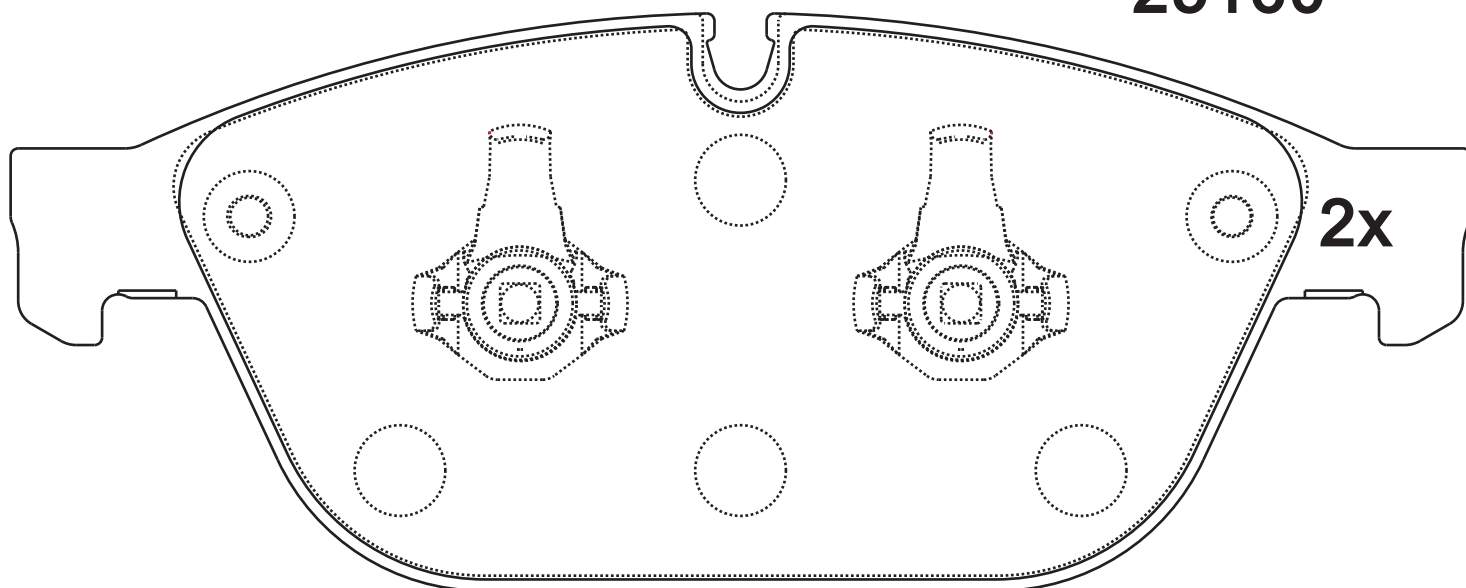


NOTE

2 identical;2 identical;



25160



25161

Apply for:

Audi A8 D4 (4H2, 4H8, 4Hc, 4H1)

2016-2018

Audi A8 D4 (4H2, 4H8, 4Hc, 4H1)

2012-2016

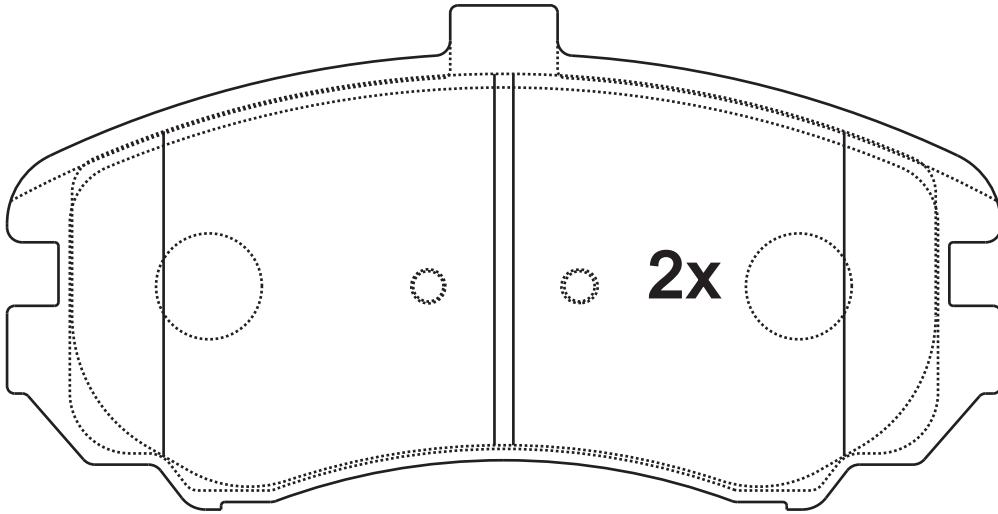
Audi A8 D4 (4H2, 4H8, 4Hc, 4H1)

2010-2018

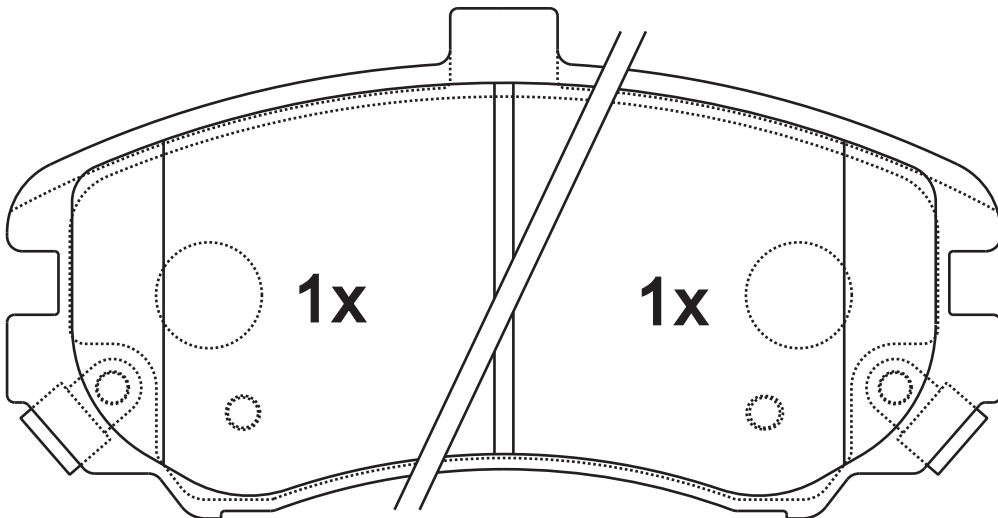
SR1288.01

Dimension (mm)	Thickness (mm)	
131.2×70.1	17	

NOTE
2 identical;2 identical,1 with acoustic indicator (left),1 with acoustic indicator(right).



24369



24374

24373

Apply for:

Hyundai Elantra (Xd)

2000/03-2006/08

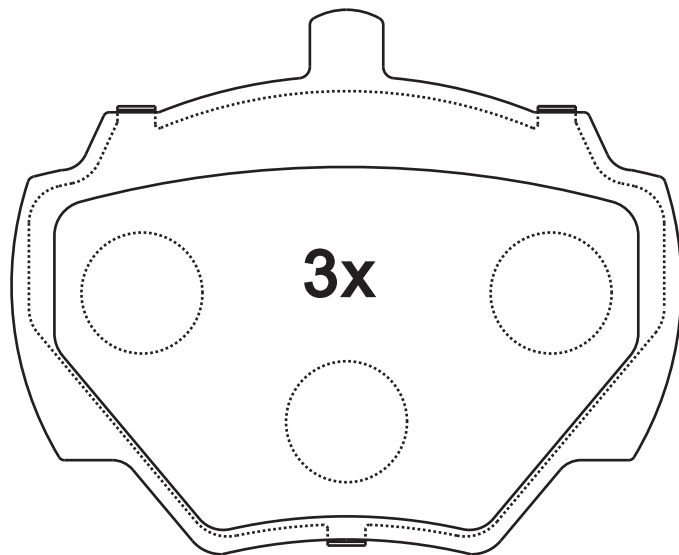
Hyundai (Beijing) Elantra Hatchback

2003/12-2010/12

SR1289.01

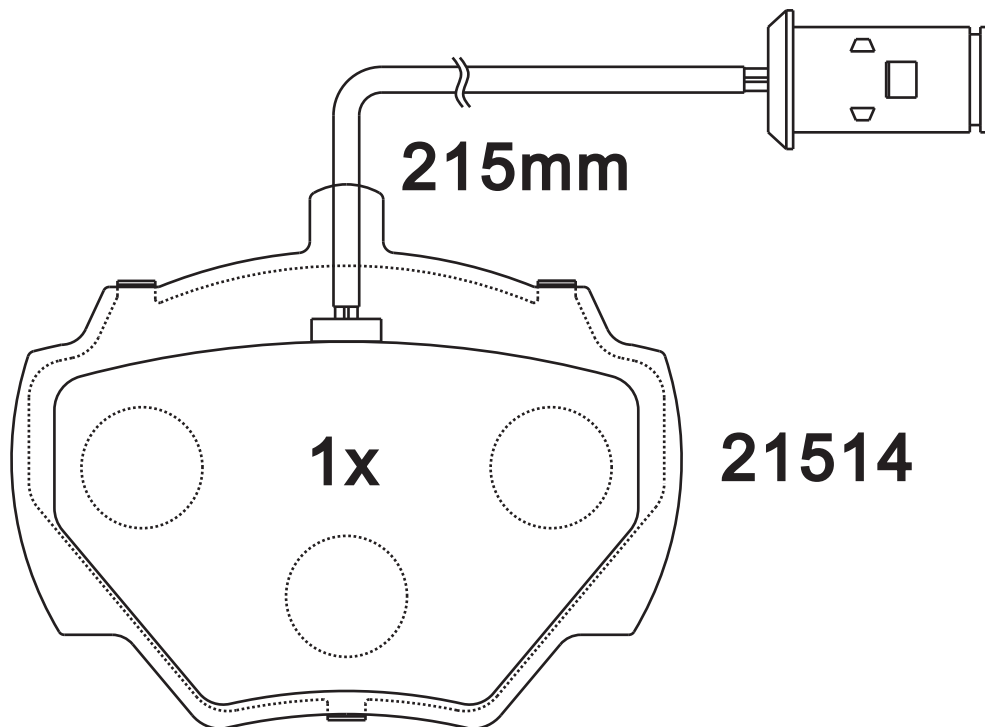
Dimension (mm)	Thickness (mm)	
88.8×72.2	15.8	

NOTE
2 identical; 2 identical, 1 with acoustic indicator (left), 1 with acoustic indicator (right).



21237

21238



21514

Apply for:

- | | | |
|------------|------------------|-----------|
| Land Rover | Discovery I (Lj) | 1989-1998 |
| Land Rover | Discovery I (Lj) | 1989-1994 |
| Land Rover | Range Rover I | 1988-1994 |

SR1289.02

**Dimension
(mm)**

**Thickness
(mm)**

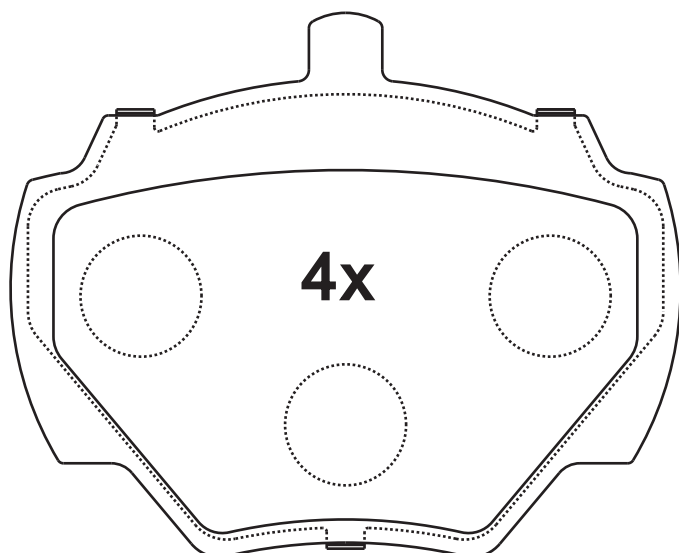


NOTE

4 identical;

88.8×72.2

15.8



21238

Apply for:

Land Rover	Discovery I (Lj)	1989-1998
Land Rover	Discovery I (Lj)	1989-1994
Land Rover	Range Rover I	1988-1994

SR1290.01

**Dimension
(mm)**

103.5×47.4

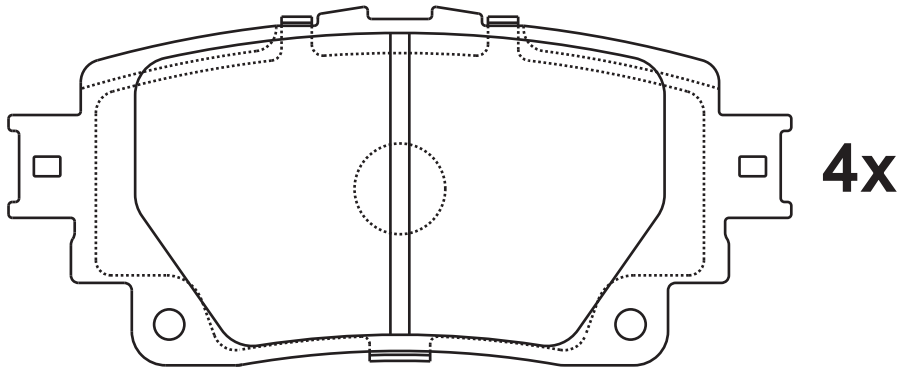
**Thickness
(mm)**

15



NOTE

4 identical;



D2305

Apply for:
2020款丰田汉兰达

SR1291.01

**Dimension
(mm)**

99.6×41.1

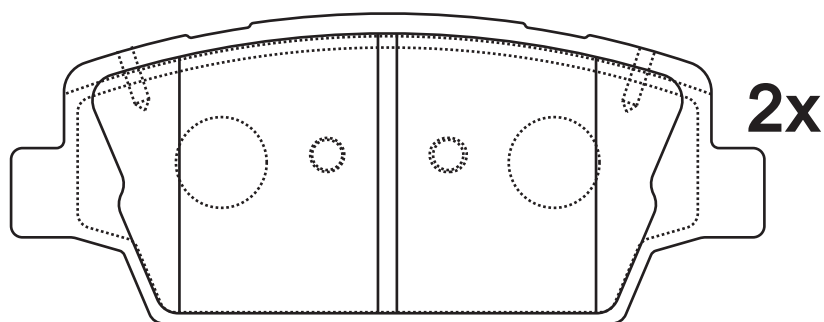
**Thickness
(mm)**

15

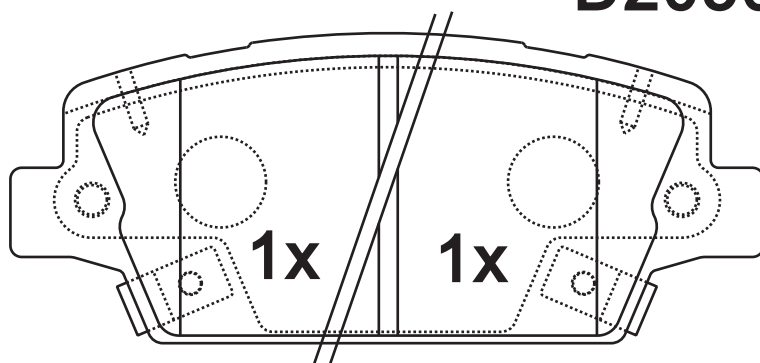


NOTE

2 identical; 2 identical, 1 with acoustic indicator (left), 1 with acoustic indicator (right).



D2050



Apply for:

17款凯尊

SR1292.01

**Dimension
(mm)**

134.7×55.7

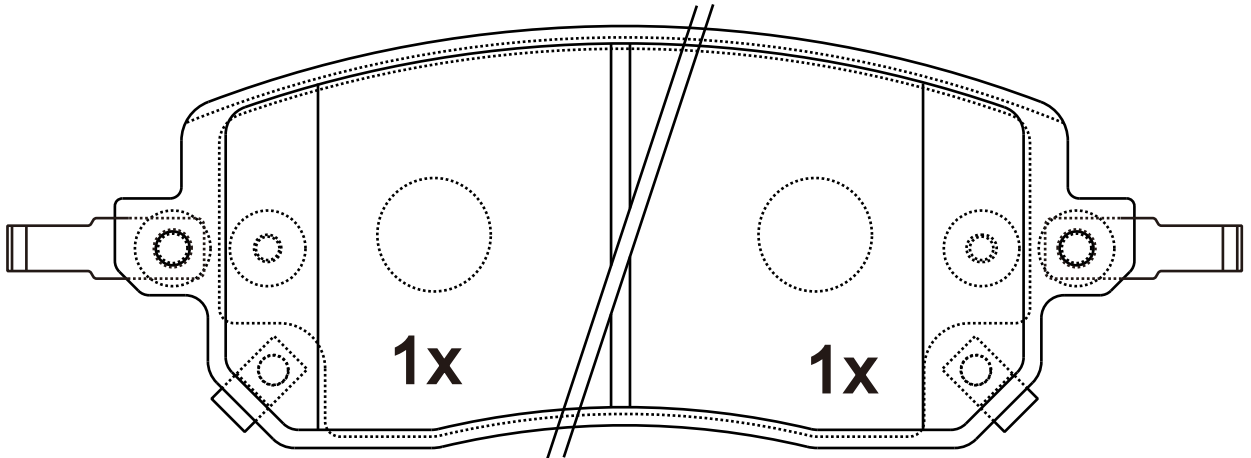
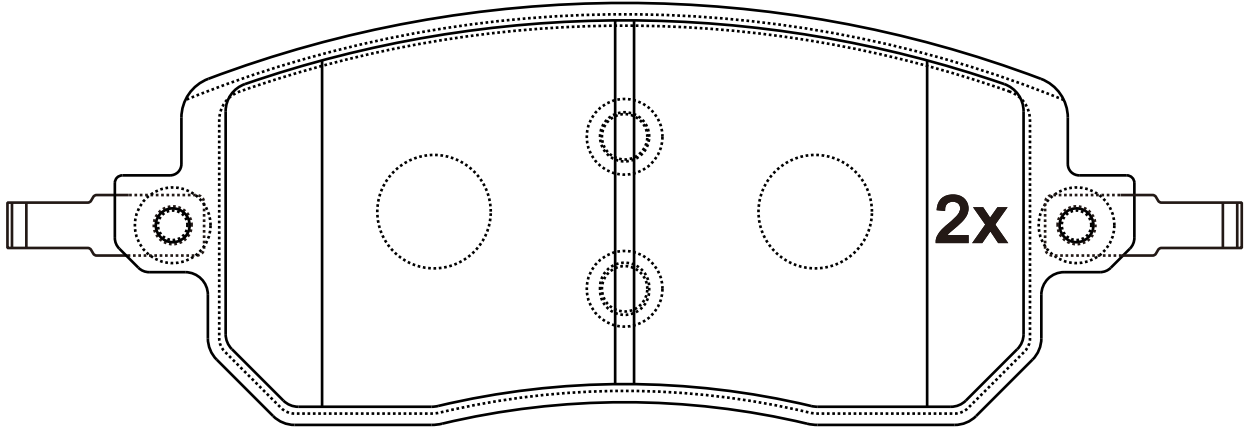
**Thickness
(mm)**

15.5



NOTE

2 identical; 2 identical, 1 with acoustic indicator (left), 1 with acoustic indicator (right).



0E:3501123XGW02A

Apply for:

哈弗初恋

SR1293.01

**Dimension
(mm)**

105.3×44.1

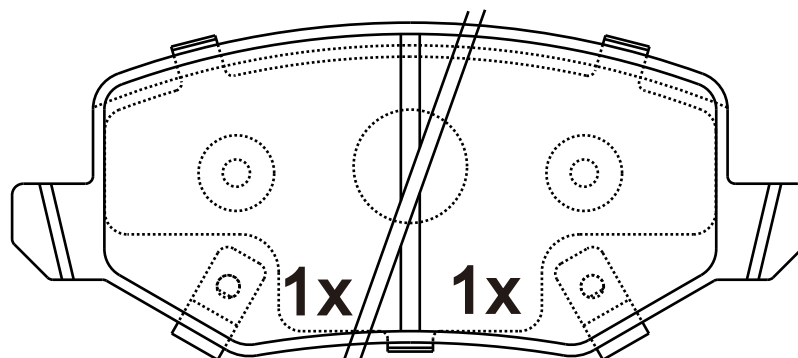
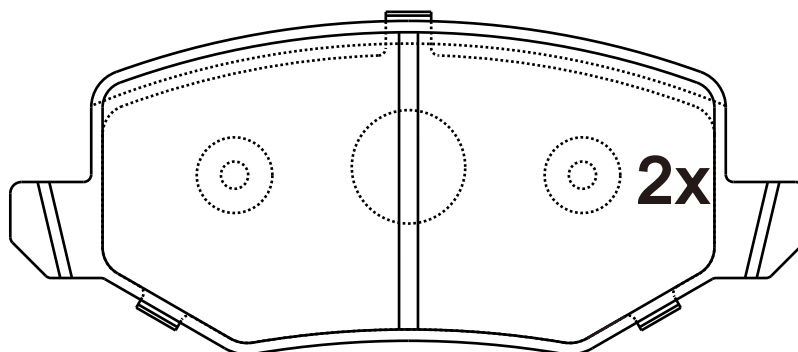
**Thickness
(mm)**

15.6



NOTE

2 identical; 2 identical, 1 with acoustic indicator (left), 1 with acoustic indicator (right).



OE:3502126XGW02A

Apply for:

哈弗初恋

SR1294.01

**Dimension
(mm)**

136.4×64.5

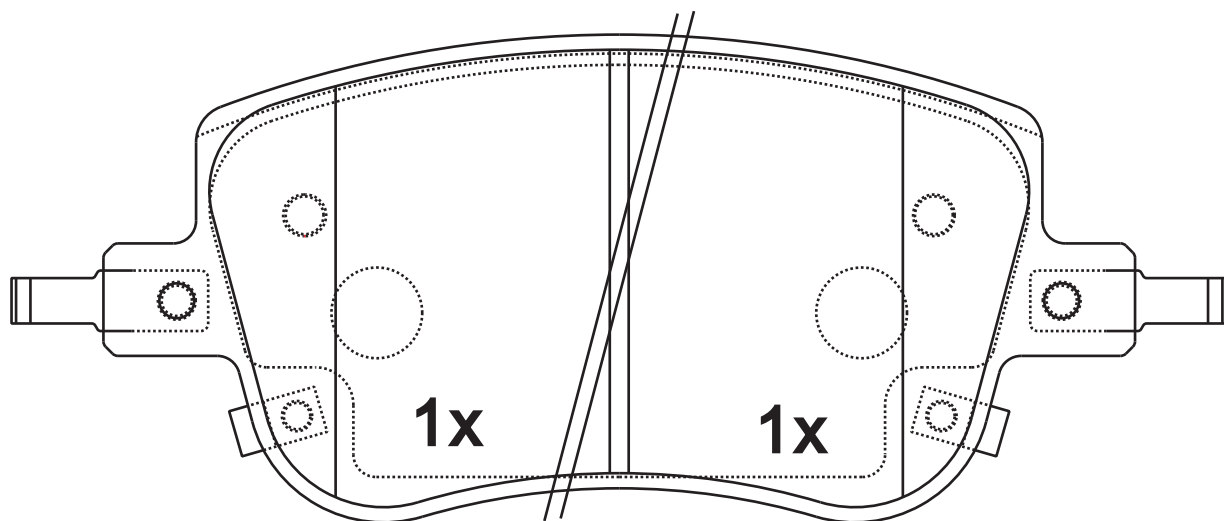
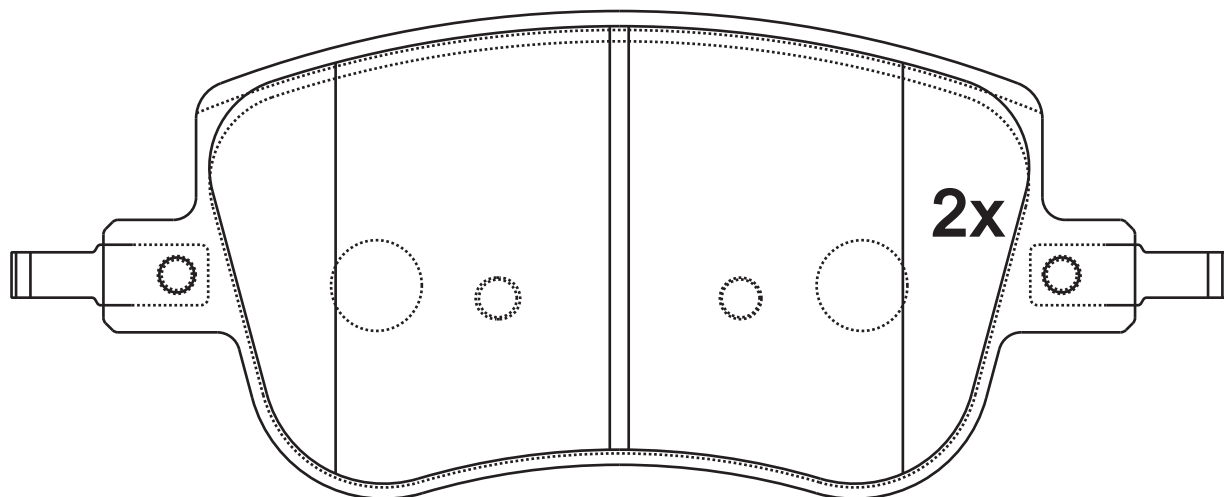
**Thickness
(mm)**

17



NOTE

2 identical; 2 identical, 1 with acoustic indicator (left), 1 with acoustic indicator (right).



3501107XNW01A

Apply for:

长城 欧拉 好猫 电动车

2020/05

SR1295.01

**Dimension
(mm)**

131.8×51.6
131.8×53.5

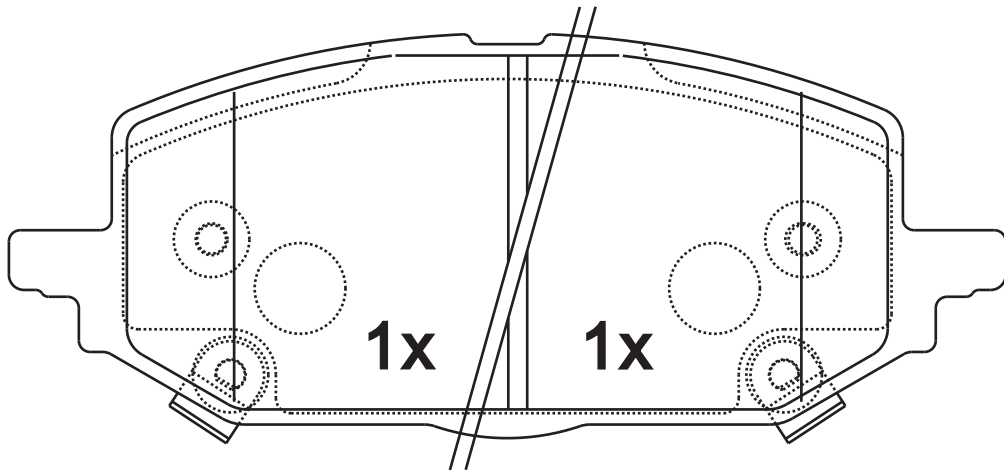
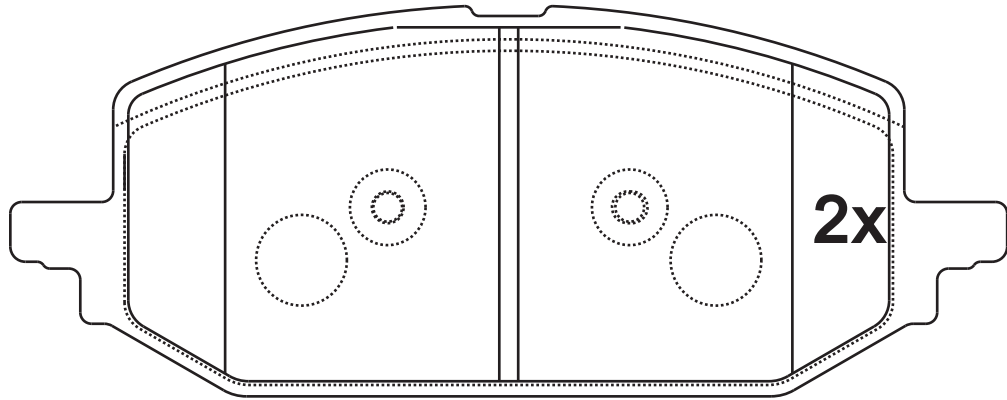
**Thickness
(mm)**

17.7



NOTE

2 identical; 2 identical, 1 with acoustic indicator (left), 1 with acoustic indicator (right).



OE:26312031

Apply for:

别克 (上汽通用) EXCELLE Saloon (SV1) 1.3 15N2018-

SR1296.01

**Dimension
(mm)**

147.7X63.9

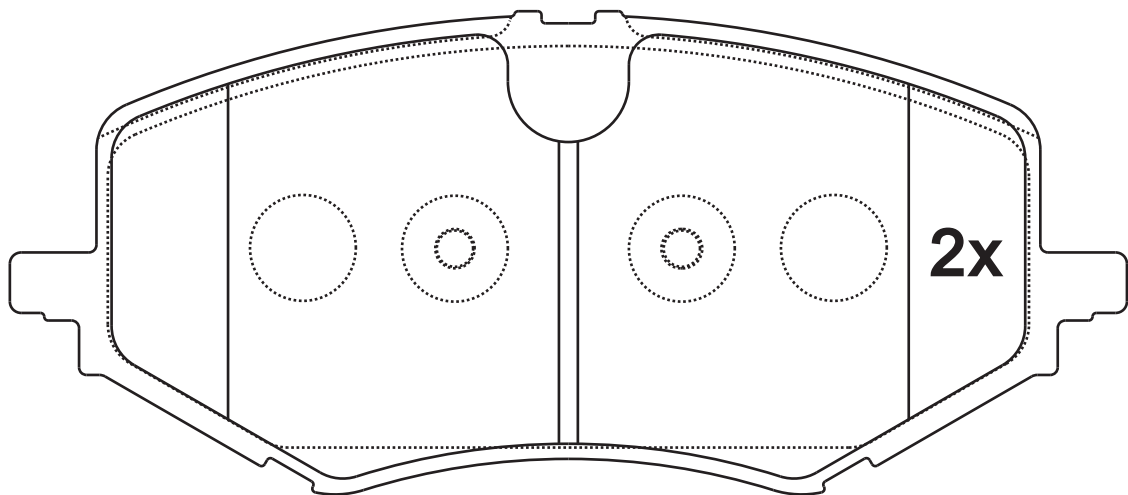
**Thickness
(mm)**

18.8

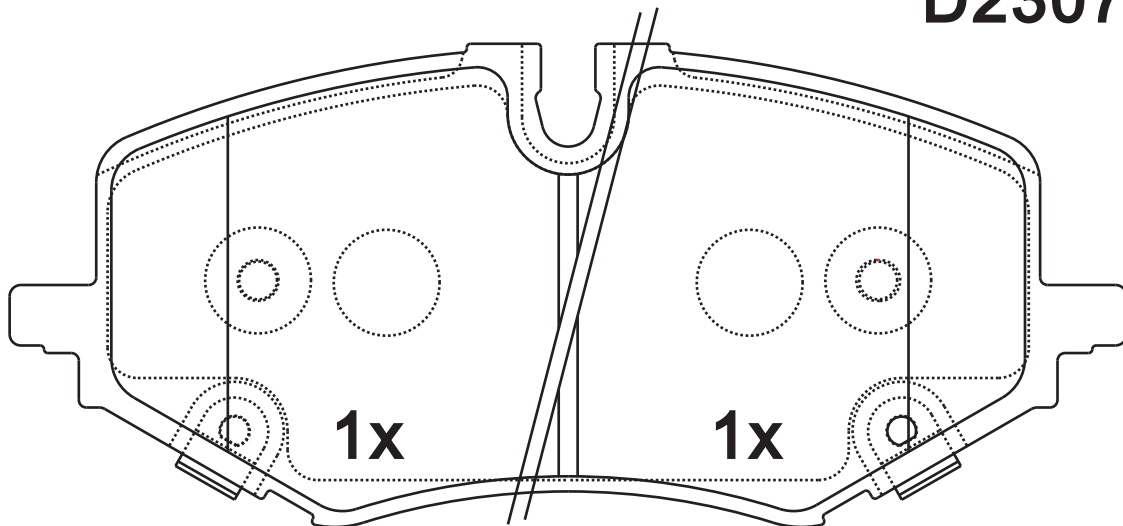


NOTE

2 identical; 2 identical, 1 with acoustic indicator (left), 1 with acoustic indicator (right).



D2307



Apply for:

上汽通用别克 ENCORE GX (SV2) 2019/07-

上汽通用雪佛兰 TRAILBLAZER (SV3) 2019/06-

SR1297.01

**Dimension
(mm)**

105.8X48.6

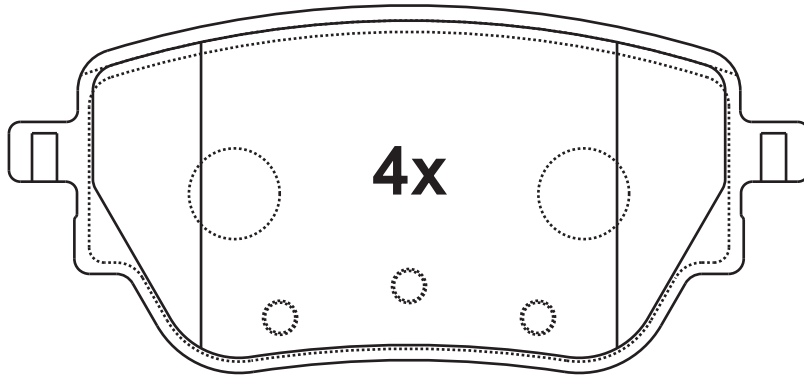
**Thickness
(mm)**

17.3



NOTE

4 identical;



22986

8x



Apply for:

奔驰	A-CLASS (W177)	2018/03-
奔驰	A-CLASS Saloon (W177)	2018/09-

SR1297

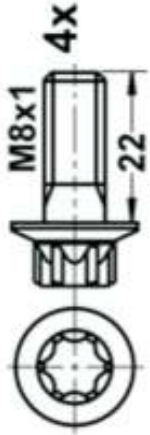
**Dimension
(mm)**

**Thickness
(mm)**



NOTE

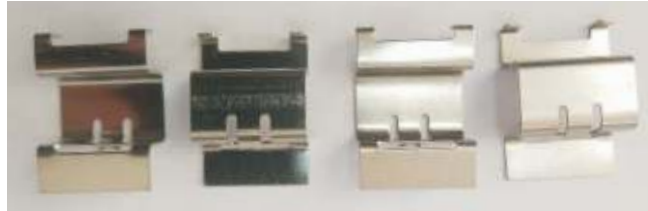
**附件包
Accessory bag**



M8X1x22
L0039



19.1*29.2*9.7
DX0025



19.1*26.8*9.7
DX0026
FJB1297.01

SR1298.01

**Dimension
(mm)**

140.4X59.8

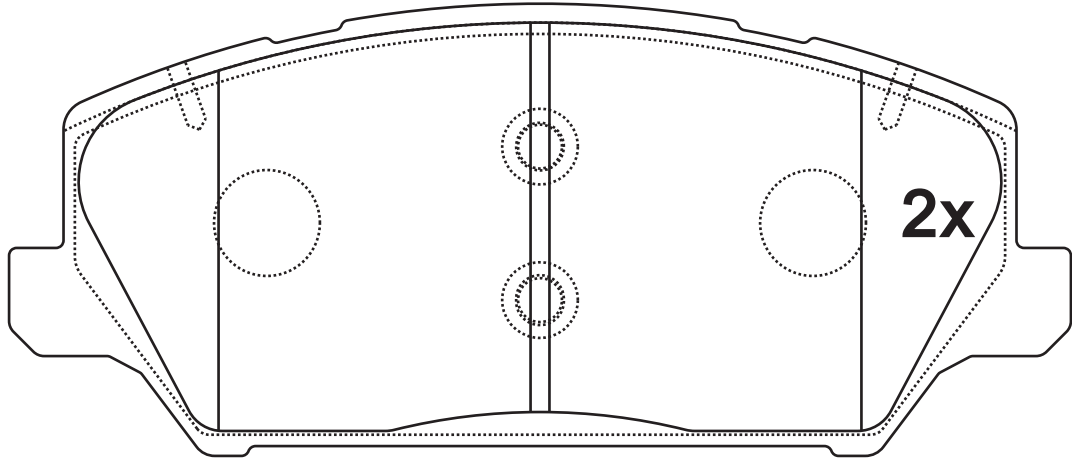
**Thickness
(mm)**

17.6

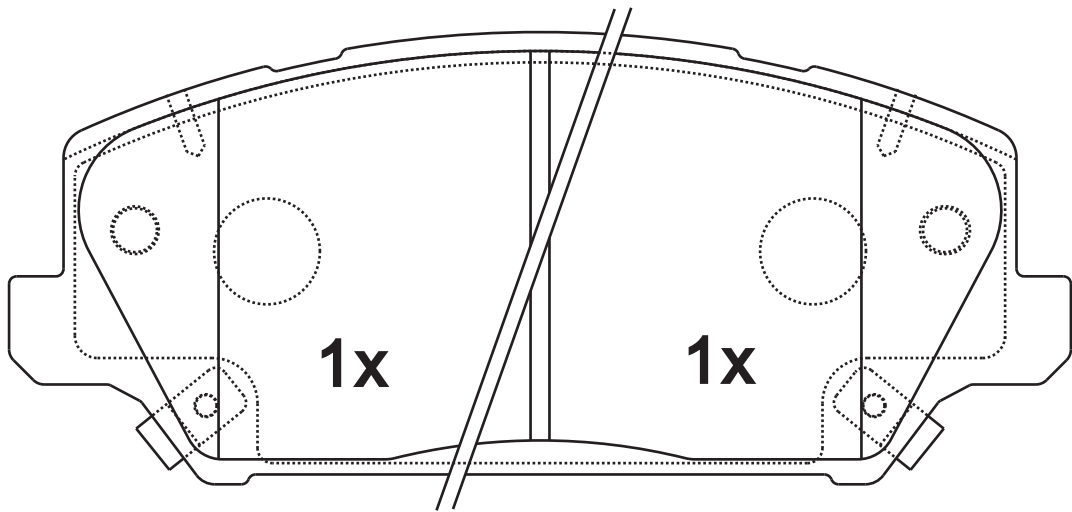


NOTE

2 identical; 2 identical, 1 with acoustic indicator (left), 1 with acoustic indicator (right).



22720



22721

22722

Apply for:

KIA Cadenza

2017

SR1299.01

**Dimension
(mm)**

110.8X48.4

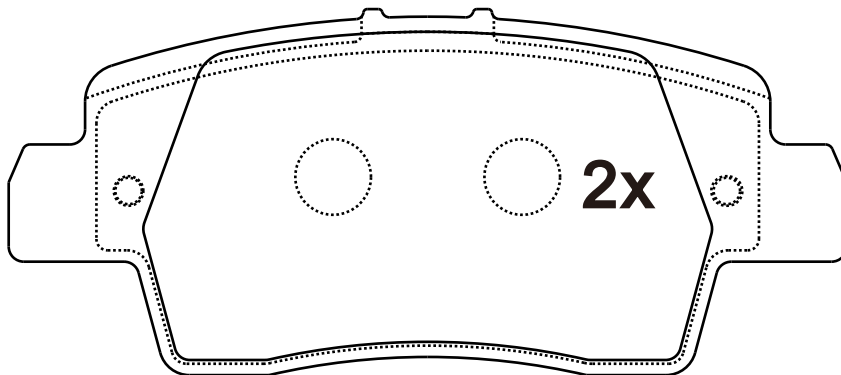
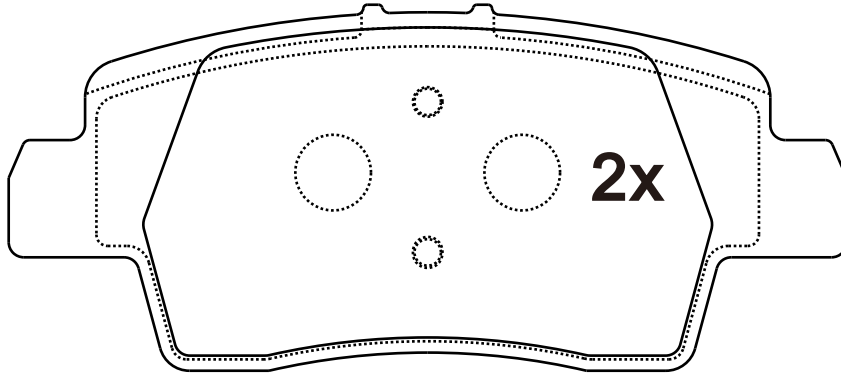
**Thickness
(mm)**

15.8



NOTE

2 identical;2 identical;



OE:410602834R

Apply for:

MAGNITE 20-22
KIGER 21-22
KWID
TRIBER 19-22

SR1300.01

**Dimension
(mm)**

95.7X74.4

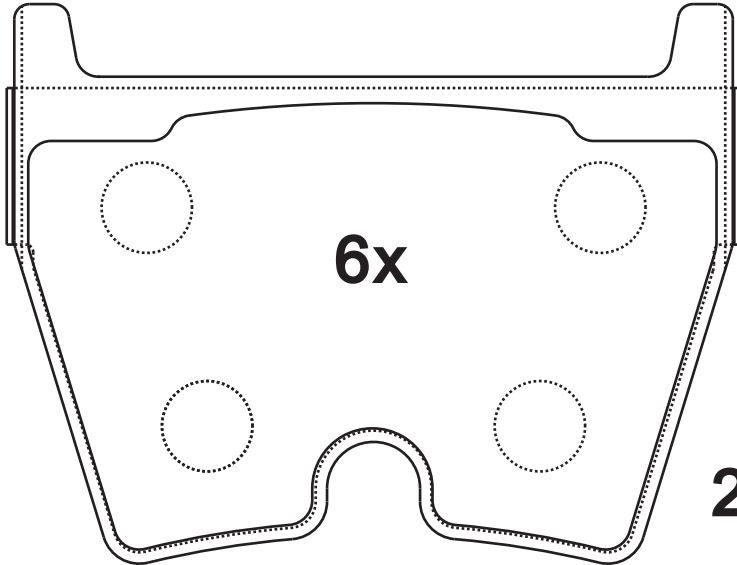
**Thickness
(mm)**

16.5



NOTE

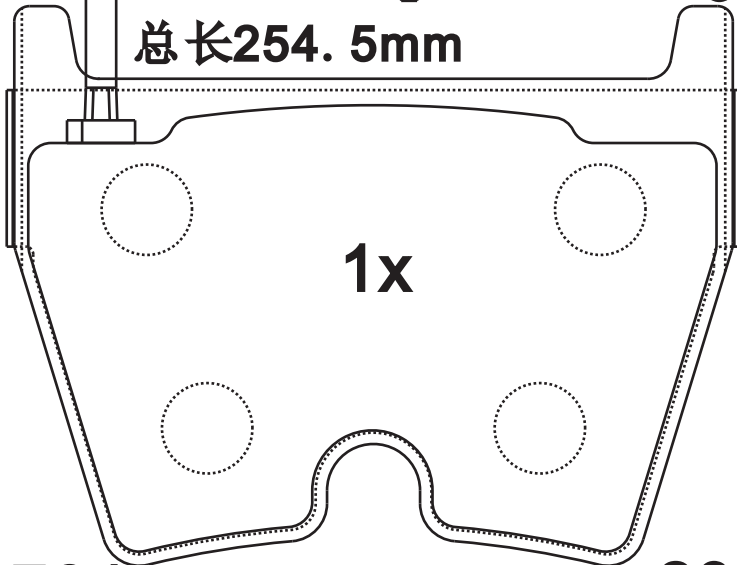
**8 identical, 2 with
warncontacts.**



23751

X0014B

总长254.5mm

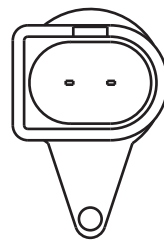


1x

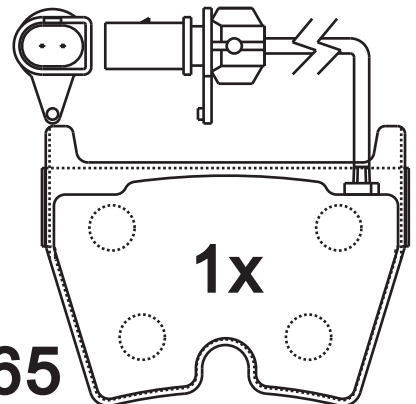
23764

Apply for:

AUDI A6 (4B2, C5)
LAMBORGHINI DIABLO
LAMBORGHINI GALLARDO SPYDER



Scale : 1:2



23765

1x

1997/01-2005/08

1990/01-

2005/08-

SR1300.02

**Dimension
(mm)**

**Thickness
(mm)**

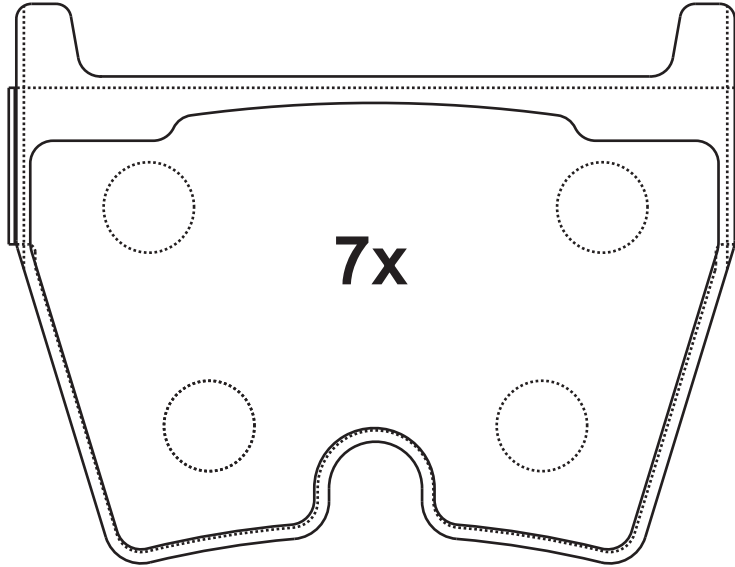


NOTE

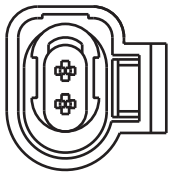
**8 identical, 1 with
warncontacts.**

95.7X74.4

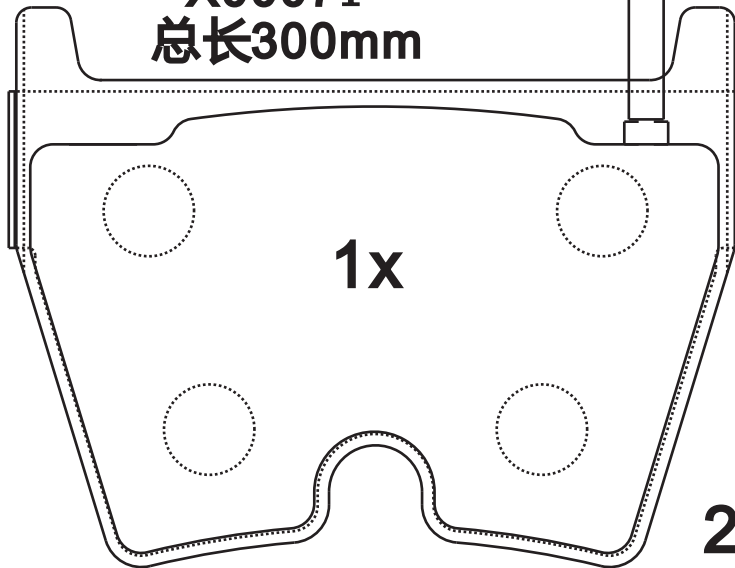
16.5



23751



**X0007I
总长300mm**



22491

Apply for:

- | | |
|---|-----------|
| AUDI A3 Limousine (8VS, 8VM) RS3 quattro | 2017-2020 |
| AUDI TT Roadster (FV9, FVR) 2.0 TDI quattro | 2017- |
| AUDI TT Roadster (FV9, FVR) TTS quattro | 2020- |

SR1301.01

**Dimension
(mm)**

**Thickness
(mm)**

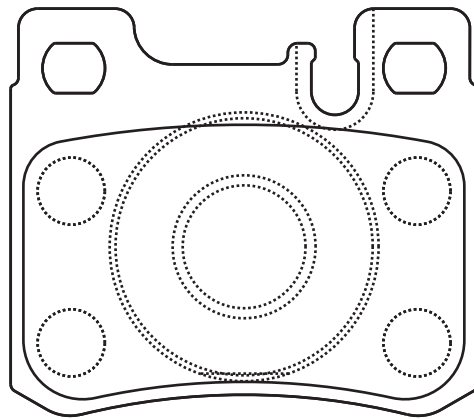


NOTE

4 identical

61.7X54.4

15



4x

21301

Apply for:

MERCEDES-BENZ	124 Coupe (C124)	300 CE	1987-1989
MERCEDES-BENZ	190 (W201)	E 2.0	1982-1993
MERCEDES-BENZ	E-CLASS (W124)	E 280 (124.028)	1993-1995

SR1302.01

**Dimension
(mm)**

77.7X74.6
63.7X75.5

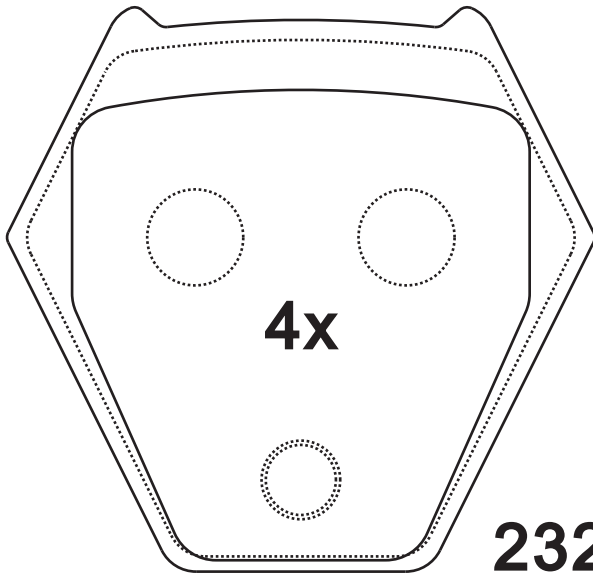
**Thickness
(mm)**

17.5

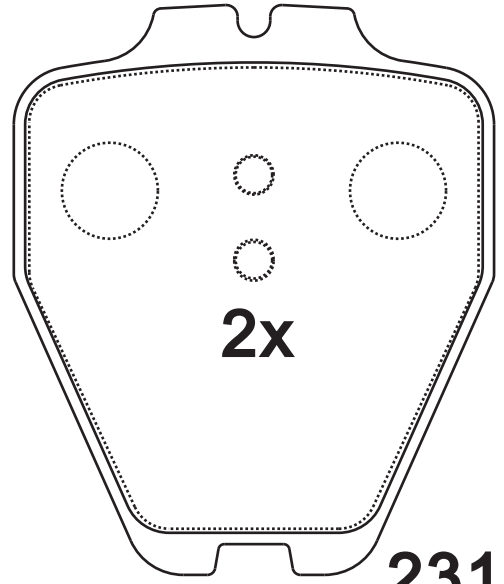


NOTE

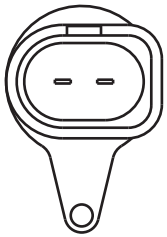
4 identical; 4 identical,
2 with warncontacts.



23280

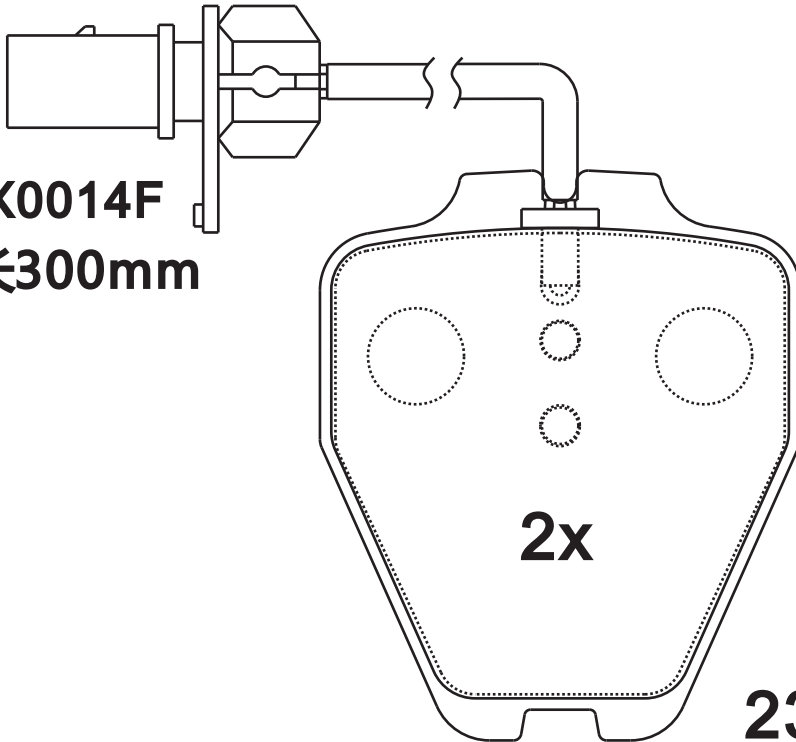


23119



X0014F

总长300mm



23830

Apply for:

AUDI A4 (8D2, B5)

1994/11-2001/12

AUDI A6 (4B2, C5)

1997/01-2005/08

AUDI ALLROAD (4BH, C5)

2000/05-2005/08

SR1302.02

**Dimension
(mm)**

77.1X74.7
63.2X75.3

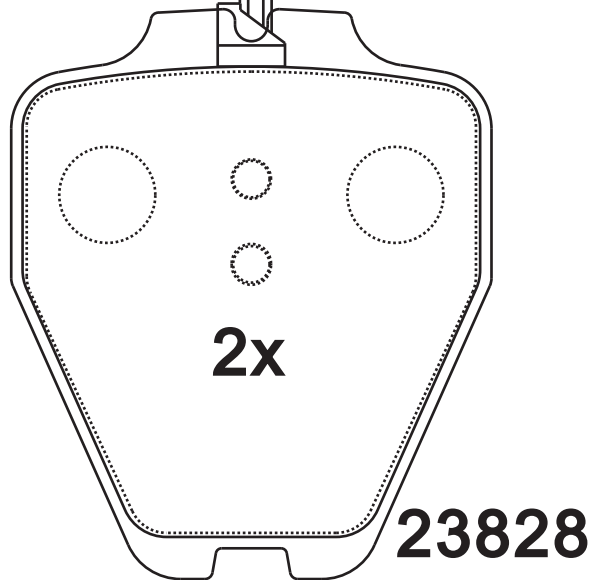
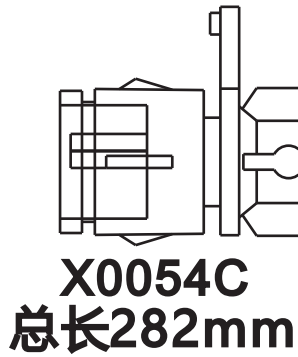
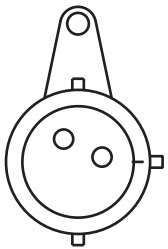
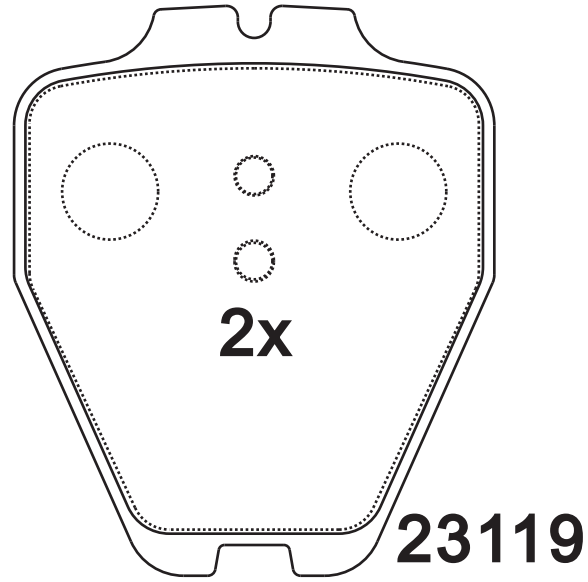
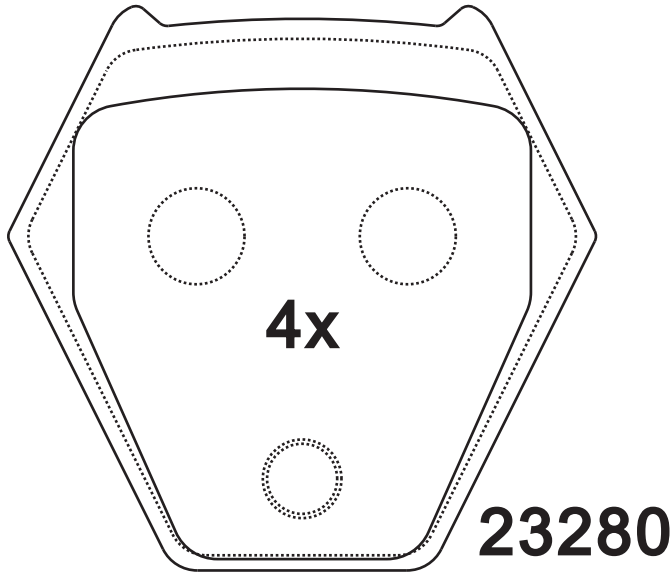
**Thickness
(mm)**

18



NOTE

4 identical; 4 identical,
2 with warncontacts.



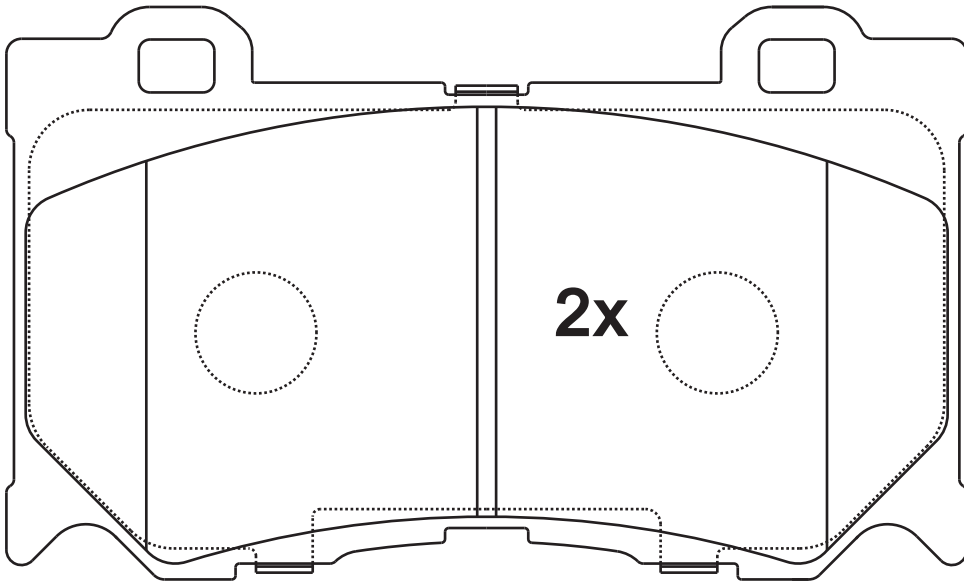
Apply for:

- | | | |
|-----------------------|-------------|-----------|
| AUDI A8 D2 (4D2, 4D8) | 2.5 TDI | 1997-2000 |
| AUDI A8 D2 (4D2, 4D8) | 3.7 | 1998-2002 |
| AUDI A8 D2 (4D2, 4D8) | 4.2 quattro | 1996-1999 |

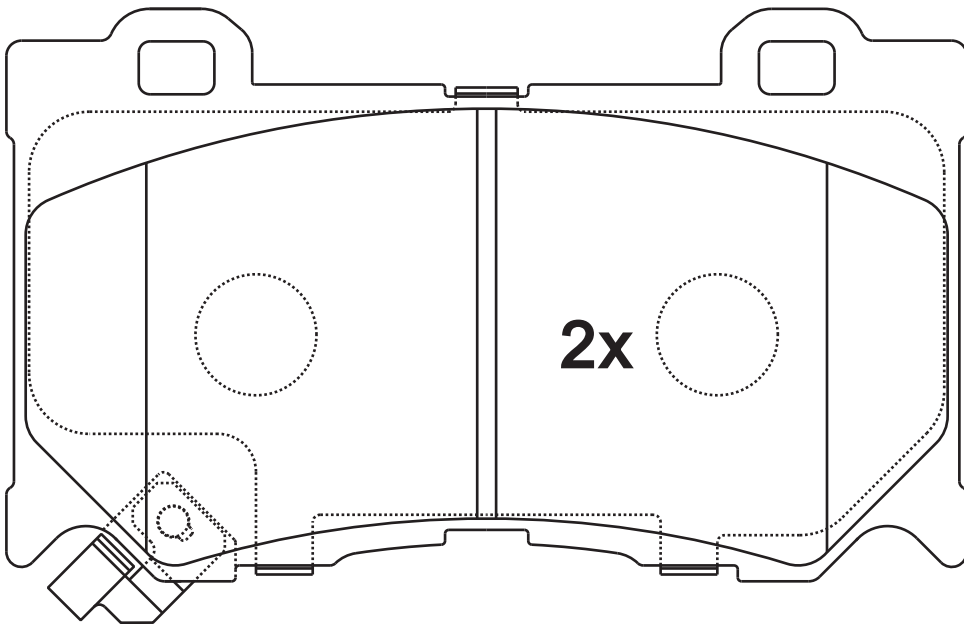
SR1303.01

Dimension (mm)	Thickness (mm)	
126.8X75.7	16.7	

NOTE
2 identical; 2 identical,



24920





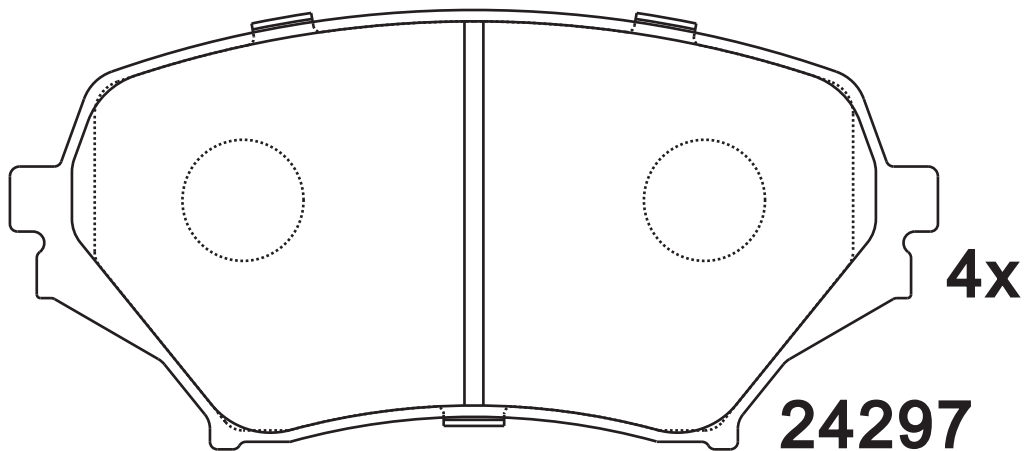
24994

Apply for:

- | | |
|-----------------------------|-------|
| INFINITI FX 30d AWD | 2010- |
| INFINITI FX 50 AWD | 2008- |
| INFINITI Q60 Coupe 3.7 | 2013- |
| NISSAN 370Z Coupe (Z34) 3.7 | 2009- |

SR1304.01

Dimension (mm)	Thickness (mm)		NOTE
122.7X58.1	15		4 identical;



Apply for:

MAZDA MX-5 III (NC) 1.8 (NC18)

2005-2014

MAZDA MX-5 III (NC) 2.0

2005-2012

SR1305.01

Dimension
(mm)

157X66.5

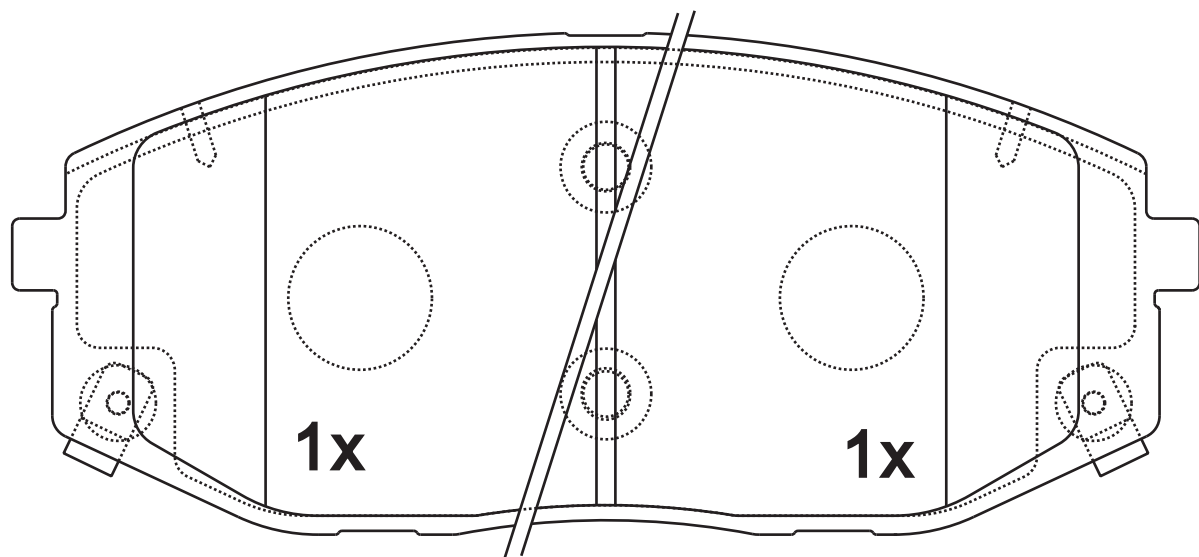
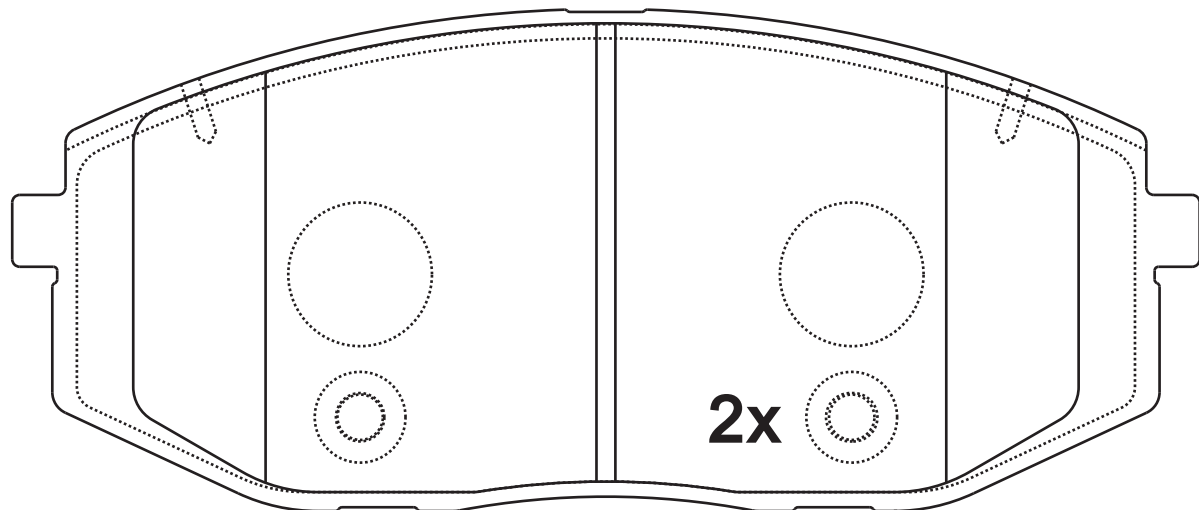
Thickness
(mm)

17



NOTE

4 identical, 1 with acoustic indicator (left), 1 with acoustic indicator (right).



OE:58101-CGA70

Apply for:

Hyundai Staria

2021-

SR1306.01

Dimension
(mm)

130.1X60

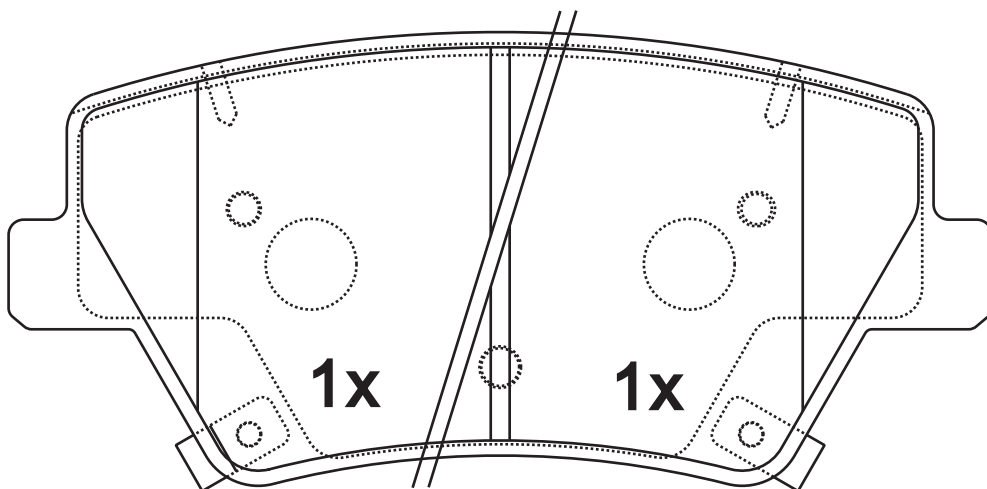
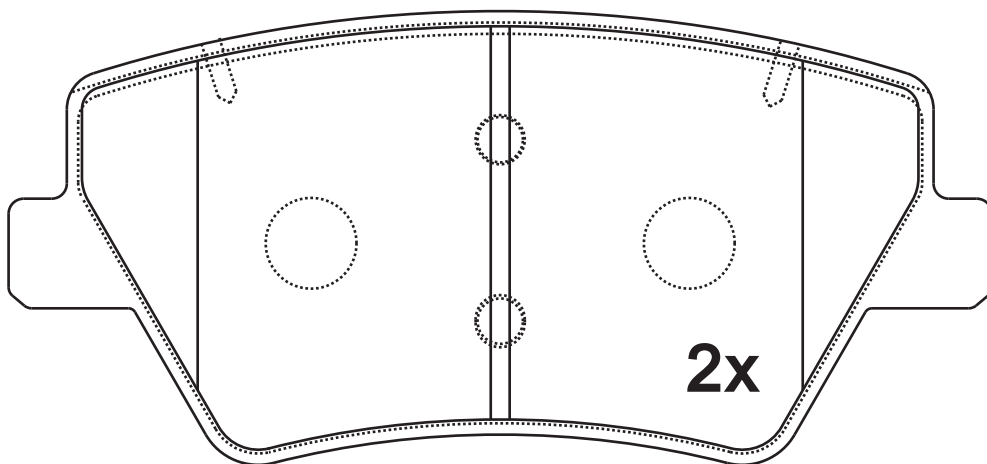
Thickness
(mm)

15.2



NOTE

4 identical, 1 with acoustic indicator (left), 1 with acoustic indicator (right).



OE:58302-T6A25

Apply for:

Genesis GV80

2021-

SR1307.01

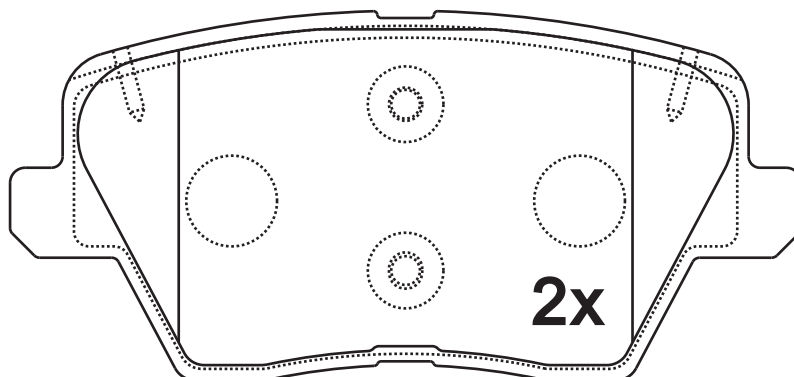
Dimension
(mm)

Thickness
(mm)

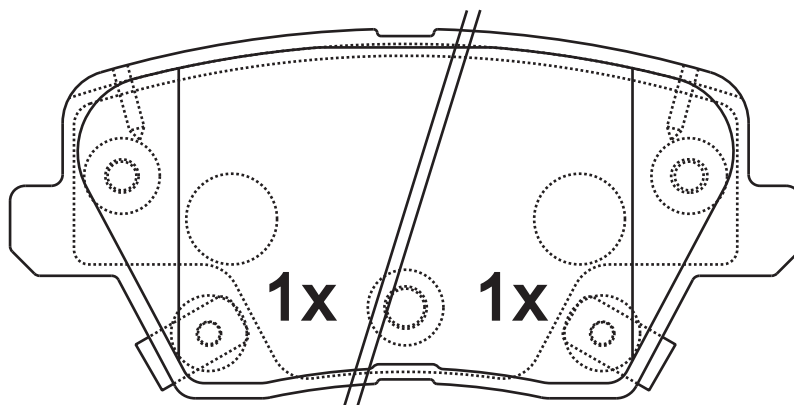


NOTE

4 identical, 1 with
acoustic indicator (left),
1 with acoustic indicator
(right).



22675



22676

22677

Apply for:
Hyundai i30

2016–

SR1308.01

Dimension
(mm)

123.5X51.7

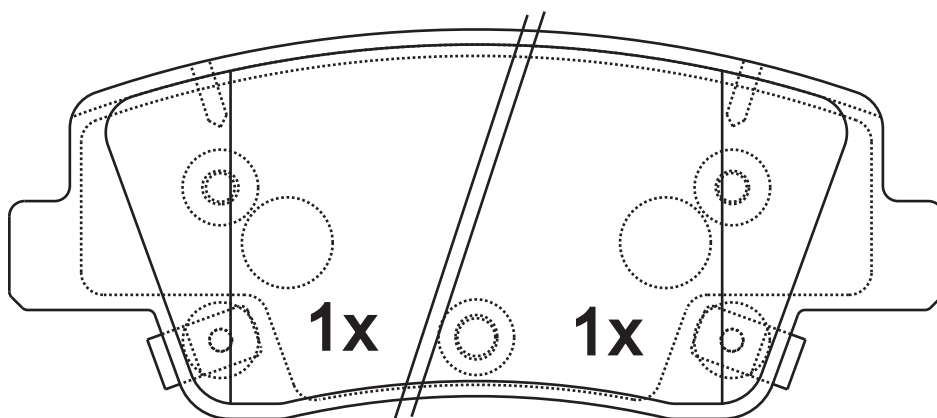
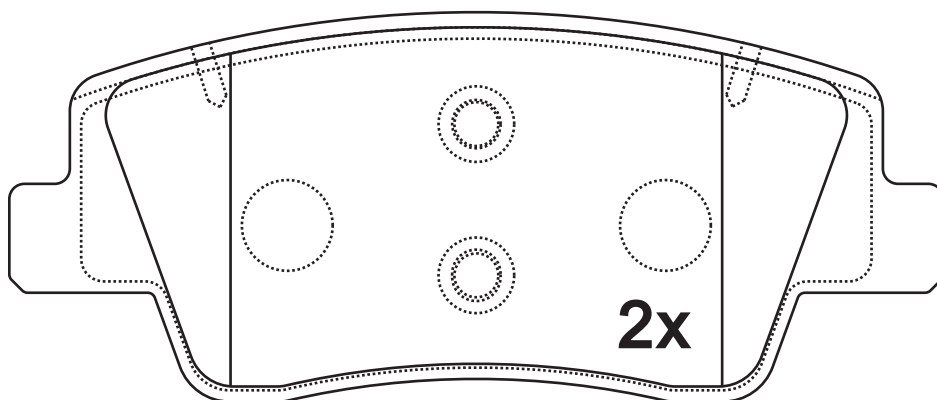
Thickness
(mm)

15.4



NOTE

4 identical, 1 with acoustic indicator (left), 1 with acoustic indicator (right).





58302CGA30

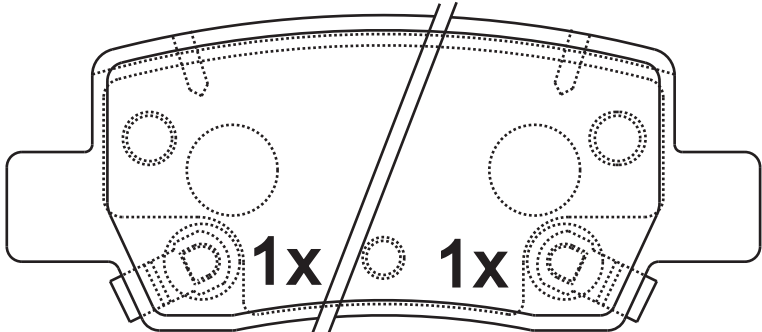
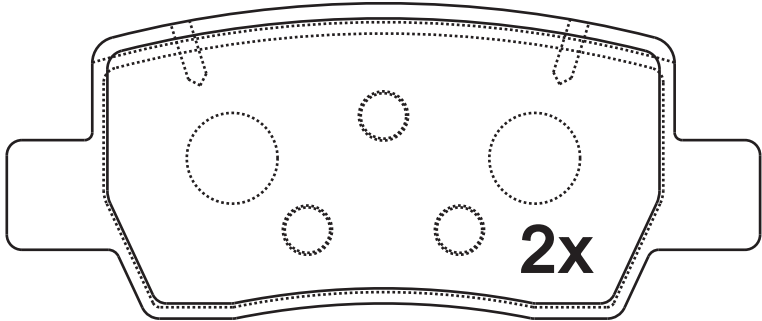
Apply for:
Hyundai Staria

2021-

SR1309.01

Dimension (mm)	Thickness (mm)	
99.6X41.5	15.4	



NOTE
4 identical, 1 with acoustic indicator (left), 1 with acoustic indicator (right).



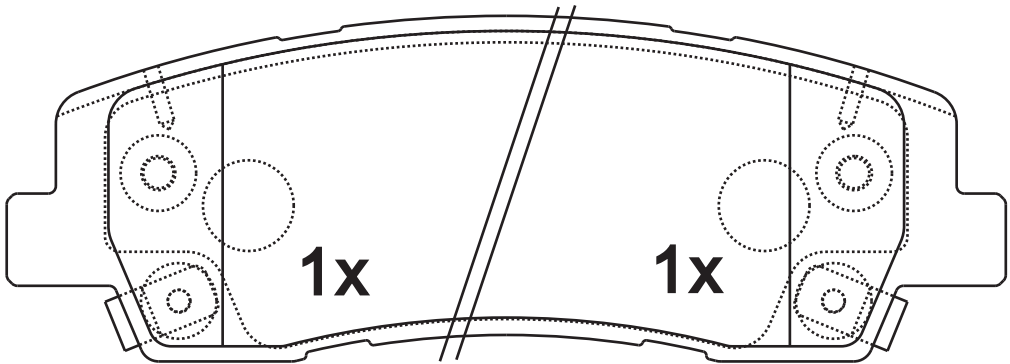
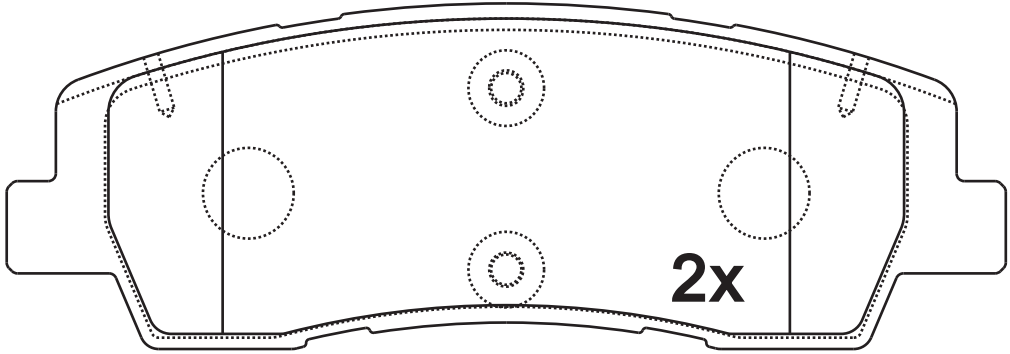
OE:58302AAA40

Apply for:
Hyundai Elantra 2021-

SR1310.01

Dimension (mm)	Thickness (mm)	
132X45.5	15.8	

NOTE
4 identical, 1 with acoustic indicator (left), 1 with acoustic indicator (right).





OE:58302CGA00

Apply for:

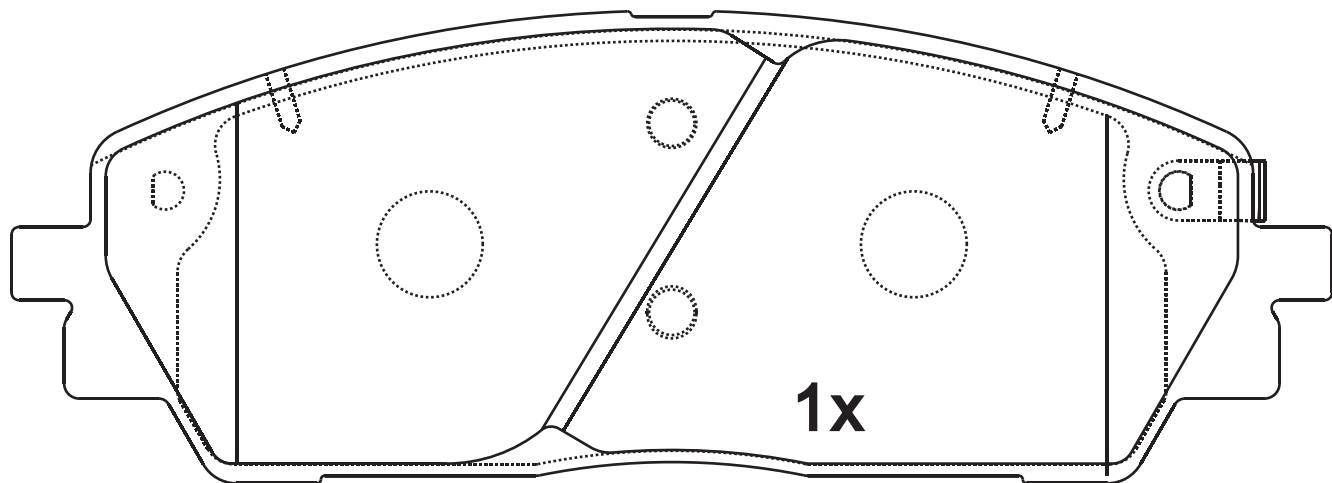
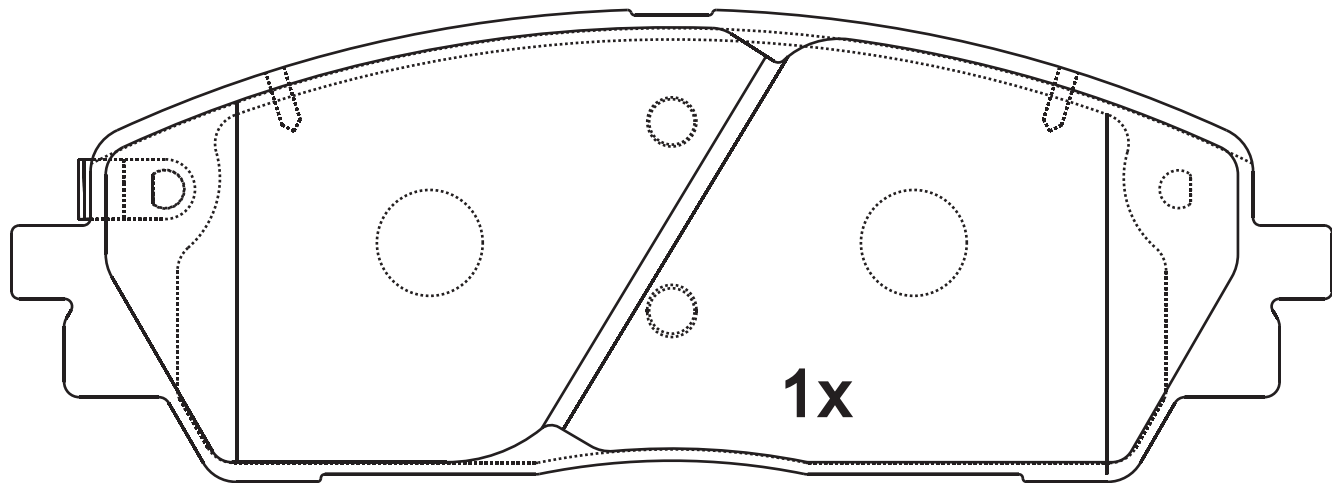
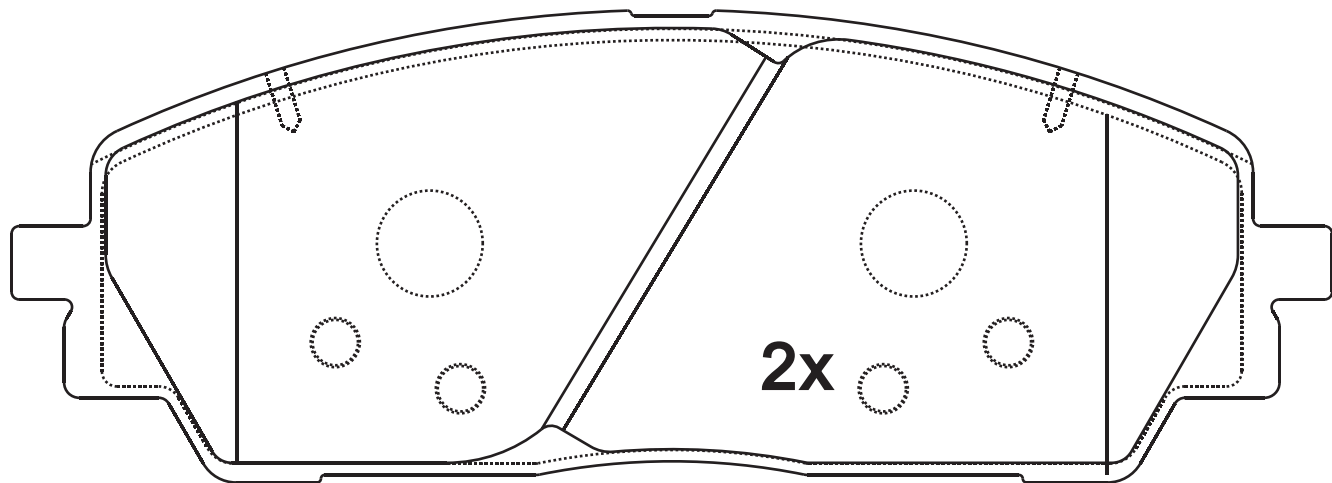
Hyundai Staria

2021-

SR1311.01

Dimension (mm)	Thickness (mm)	
174.6X62.5	17.4	 

NOTE
2 identical;2 identical,1 with acoustic indicator (left),1 with acoustic indicator(right).



Apply for:
Kia Jiahua (KA4

2021-)

D2392

SR1312.01

**Dimension
(mm)**

164.6X65.5

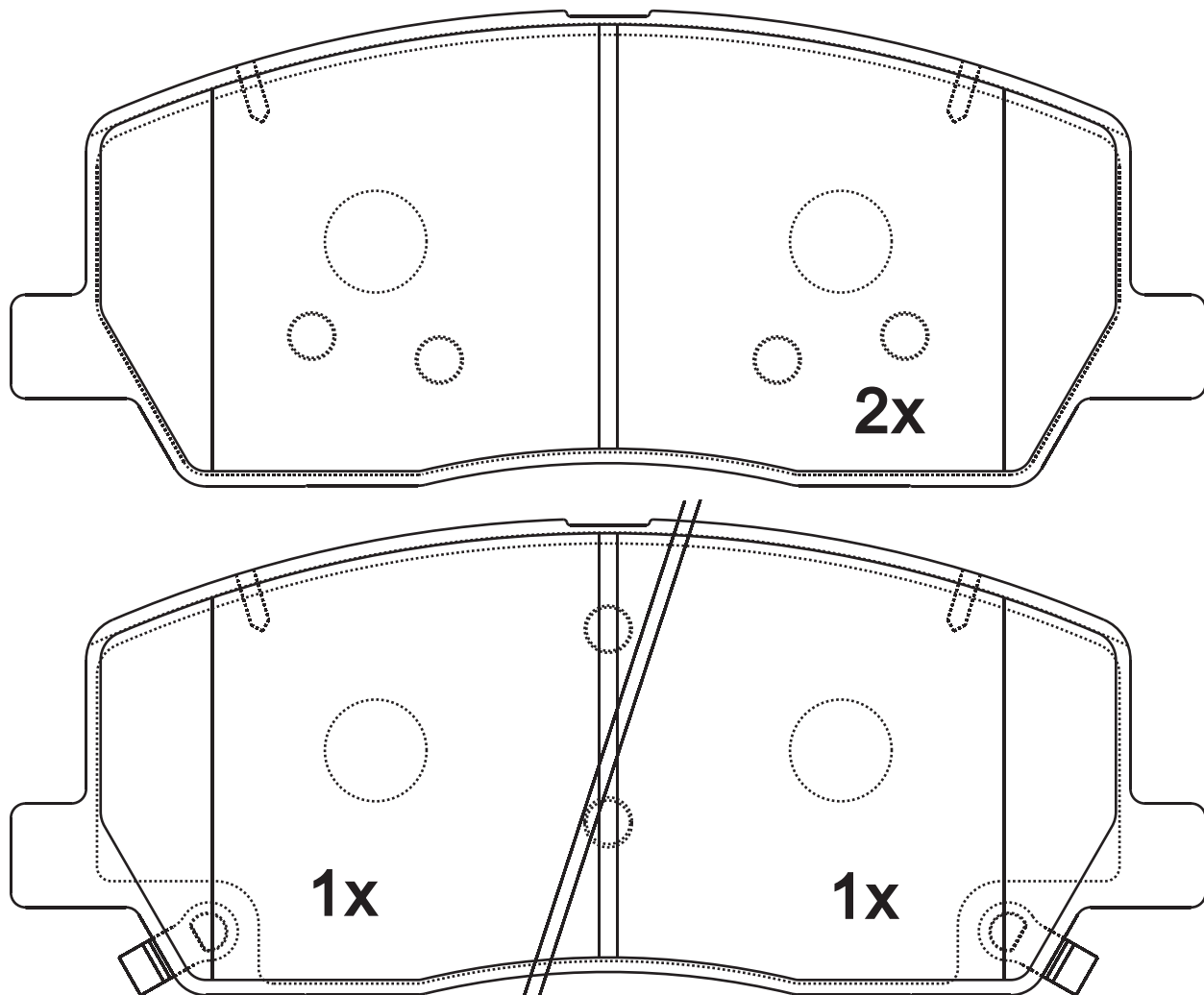
**Thickness
(mm)**

17



NOTE

4 identical, 1 with acoustic indicator (left), 1 with acoustic indicator (right).



OE:58101-T6A20

Apply for:
Genesis GV80 2021-

SR1313.01

**Dimension
(mm)**

170.4X86.1

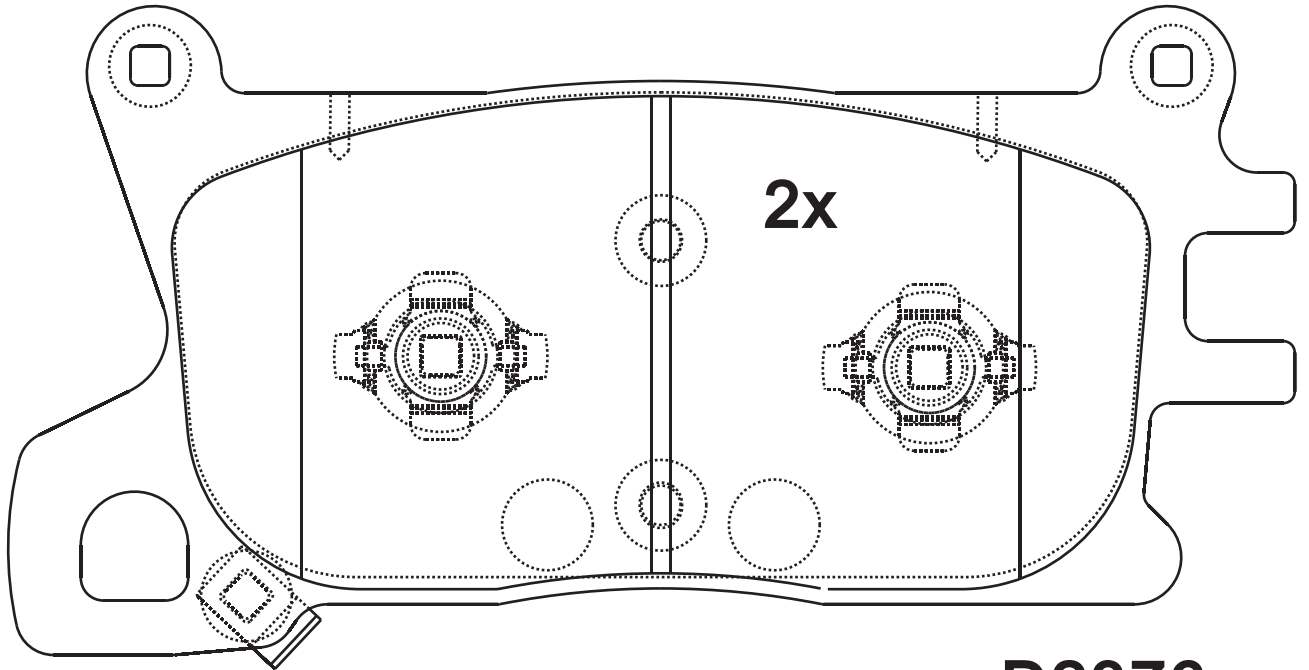
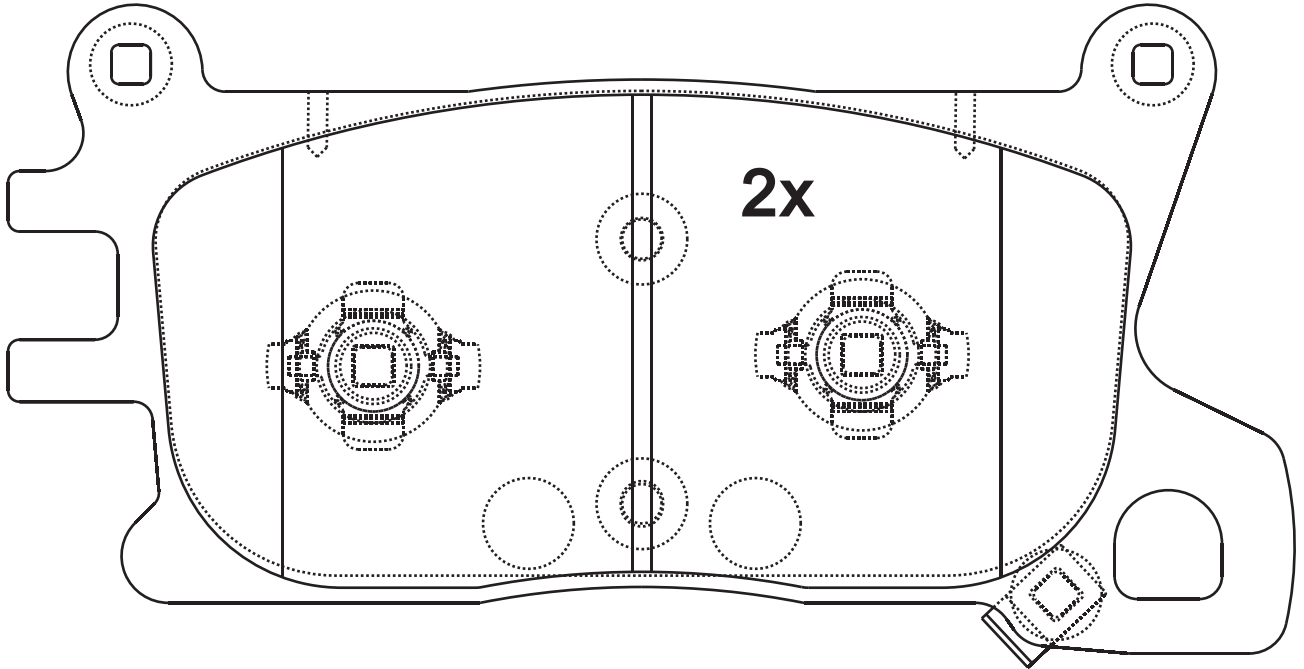
**Thickness
(mm)**

18



NOTE

2 identical; 2 identical,



D2376

Apply for:

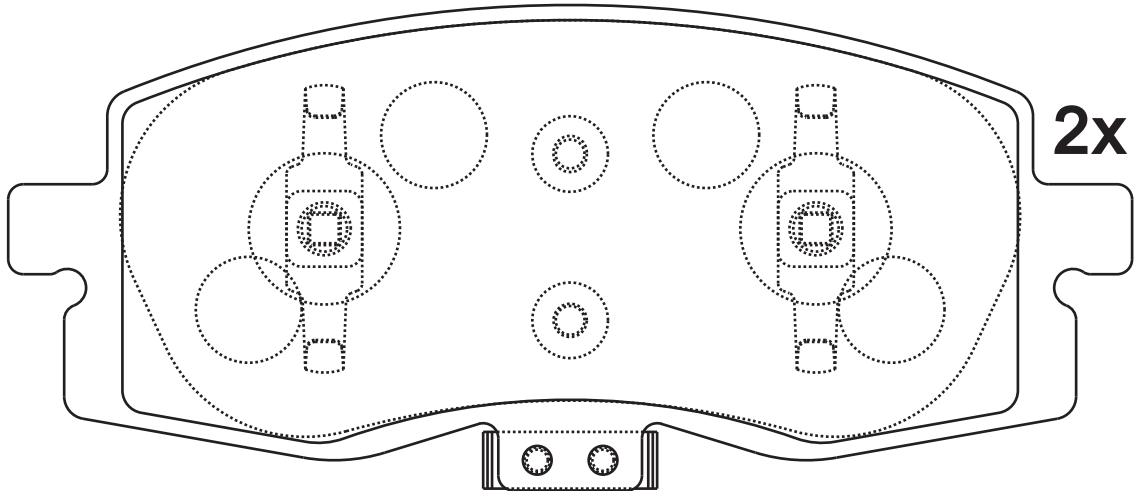
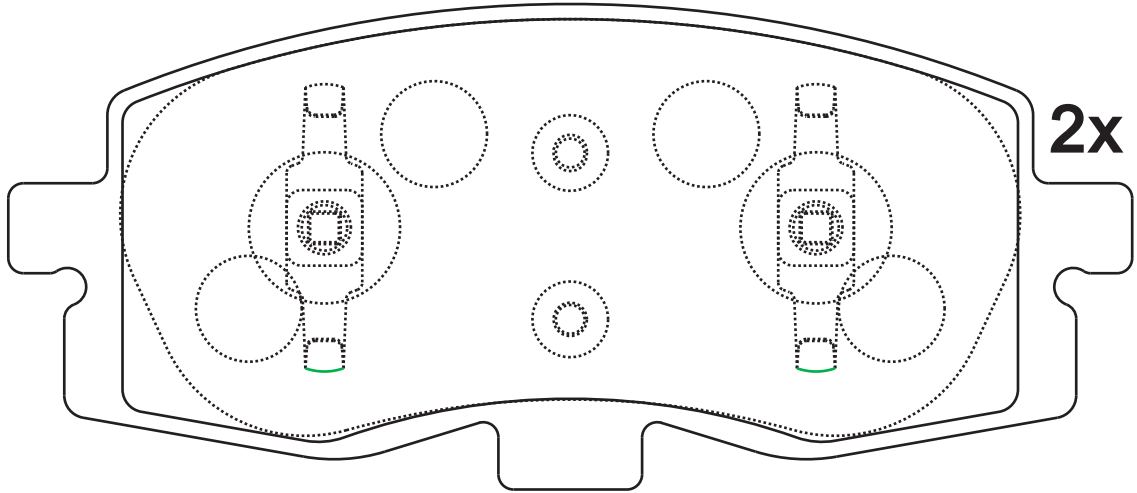
Genesis GV80

2021-

SR1314.01

Dimension (mm)	Thickness (mm)	
148.6X64.2	17.4	

NOTE
2 identical; 2 identical,



Apply for:
JAC T8 FRO

SR1315.01

**Dimension
(mm)**

120.3X54.8

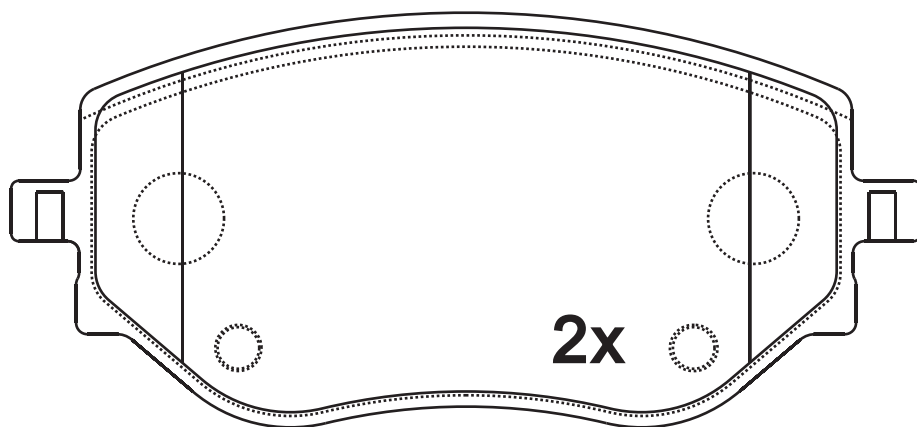
**Thickness
(mm)**

18.2

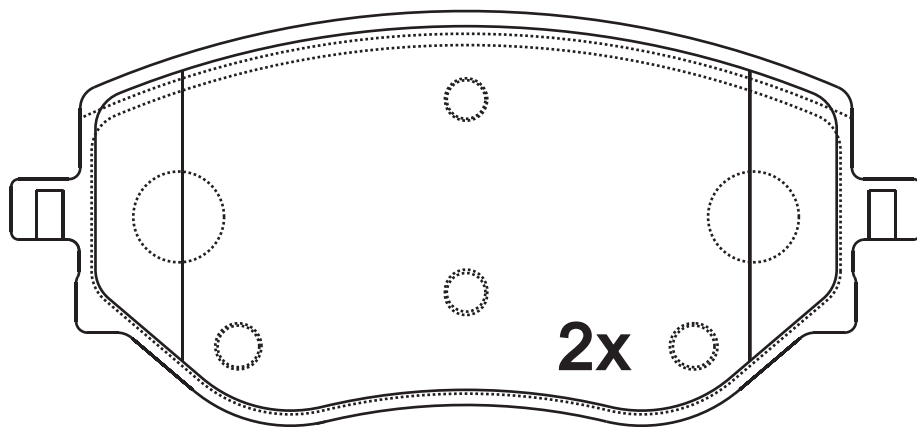


NOTE

2 identical; 2 identical,



26188



8x



26189

Apply for:

DACIA SANDERO III
NISSAN MICRA V (K14)
RENAULT CLIO V (BF_)

2021/01-
2016/12-
2019/06-

SR1315.01

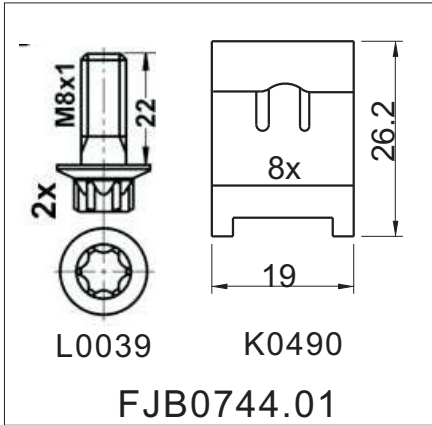
**Dimension
(mm)**

**Thickness
(mm)**



NOTE

**附件包
Accessory bag**



SR1316.01

**Dimension
(mm)**

**Thickness
(mm)**



NOTE

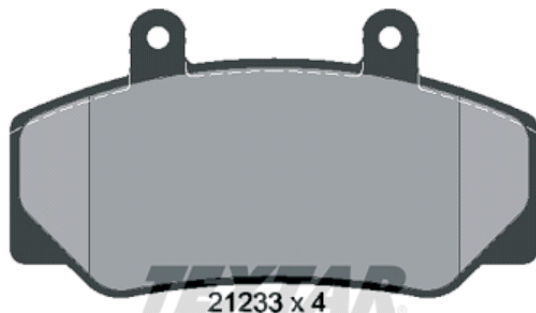
4 identical;

114X62

16.7



无模具



4x

Apply for:

UMM ALTER 2.0

1985-1996



VOLVO 740 (744) 2.0

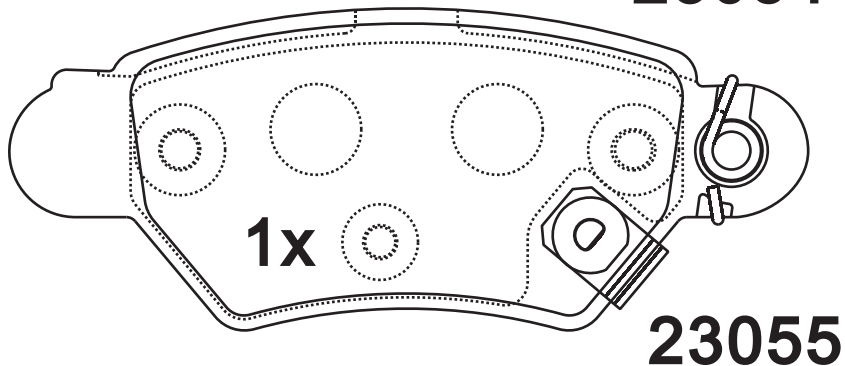
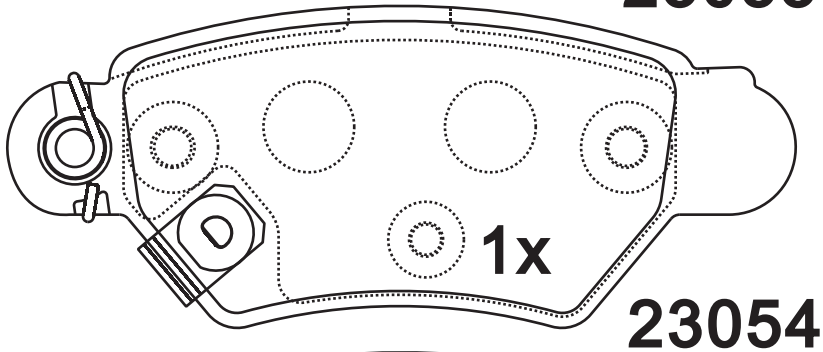
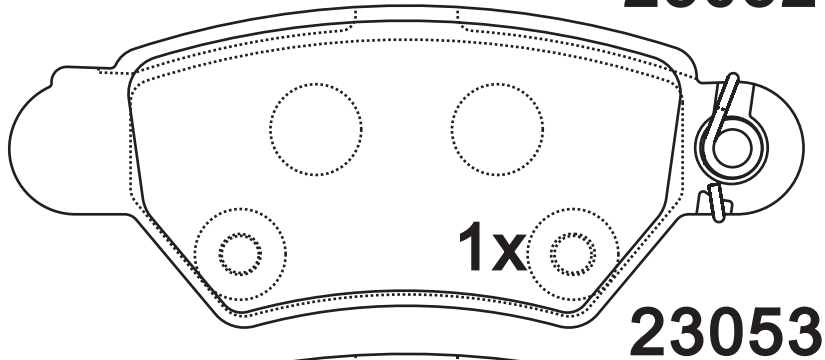
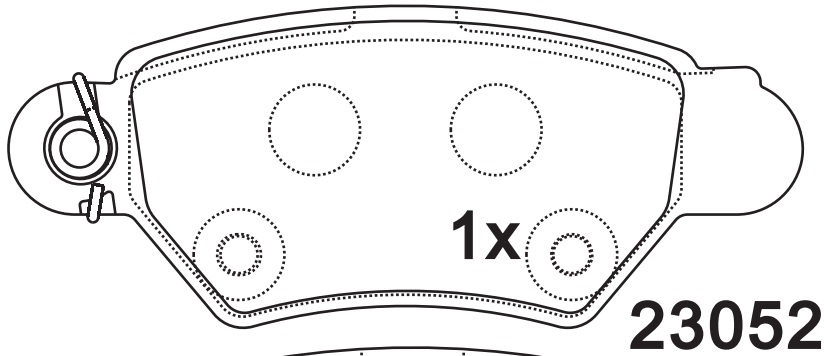
1988-1990

VOLVO 960 (964) 2.9

1991-1994

SR1317.01



Dimension (mm)	Thickness (mm)		NOTE
104.9X42.6	16		1 identical;1 identical; 1 identical;1 identical;



Apply for:

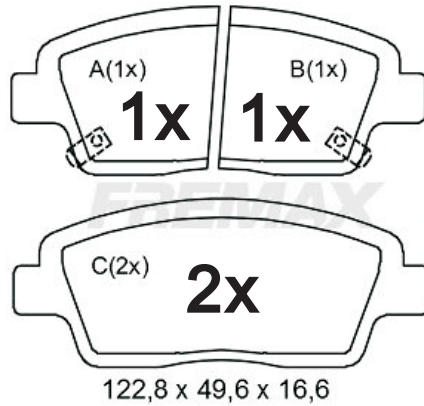
CHEVROLET CORSA Estate 1.6 GL MPFI (35)	1997-2002
OPEL ASTRA G Estate (T98) 1.8 16V (F35)	1998-2000
VAUXHALL ASTRA Mk IV (G) Estate (T98) 2.0 DI	1998-2004

SR1318.01

Dimension (mm)	Thickness (mm)	
122.8X49.6	16.6	

NOTE
2 identical;2 identical,1 with acoustic indicator (left),1 with acoustic indicator(right).

无磨具



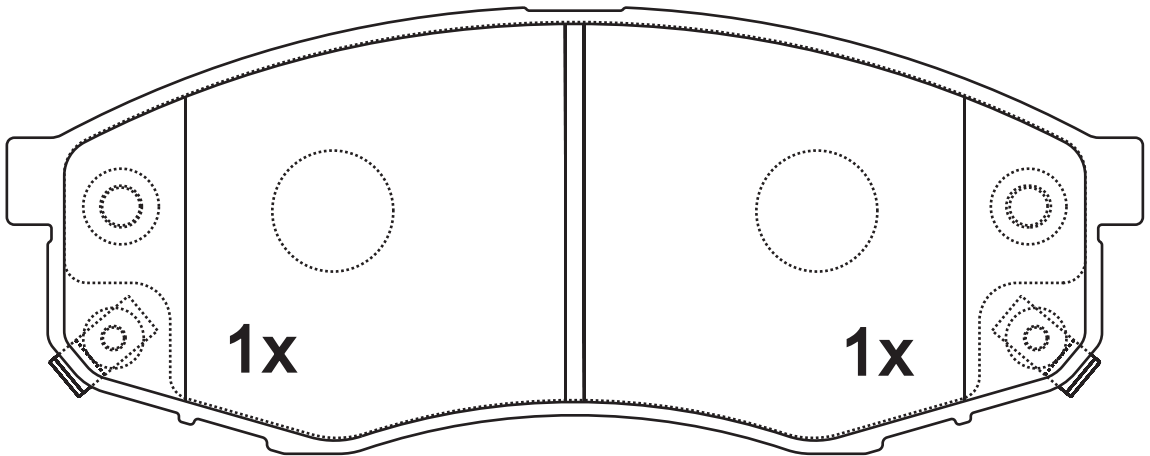
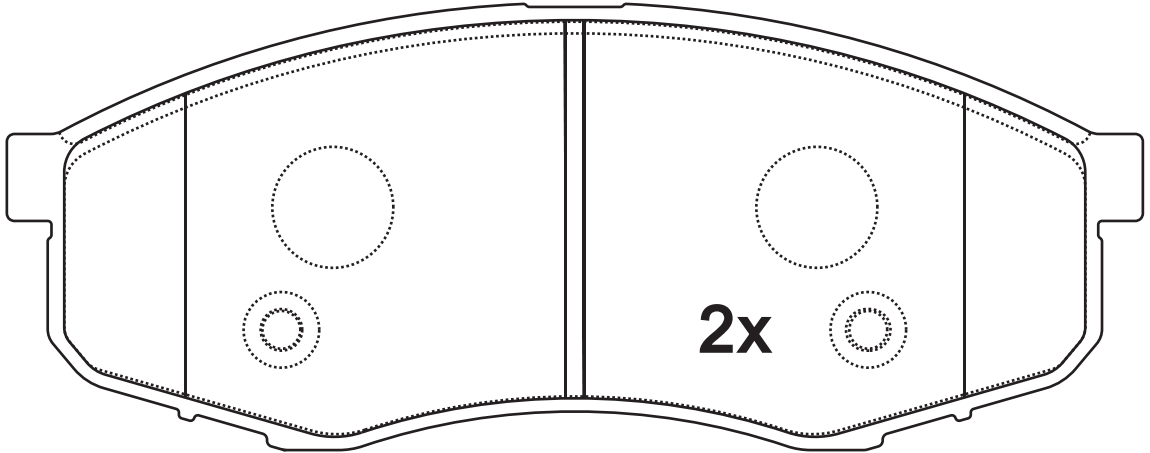
Apply for:

- HYUNDAI HB20 1.0 Flex 2016-2019
- HYUNDAI HB20S Saloon 1.0 Flex 2016-2019
- HYUNDAI HB20S Saloon (BR2) 1.0 Flex 2019-

SR1319.01



Dimension (mm)	Thickness (mm)	
150X59.5	17.7	

NOTE
4 identical, 1 with acoustic indicator (left), 1 with acoustic indicator (right).

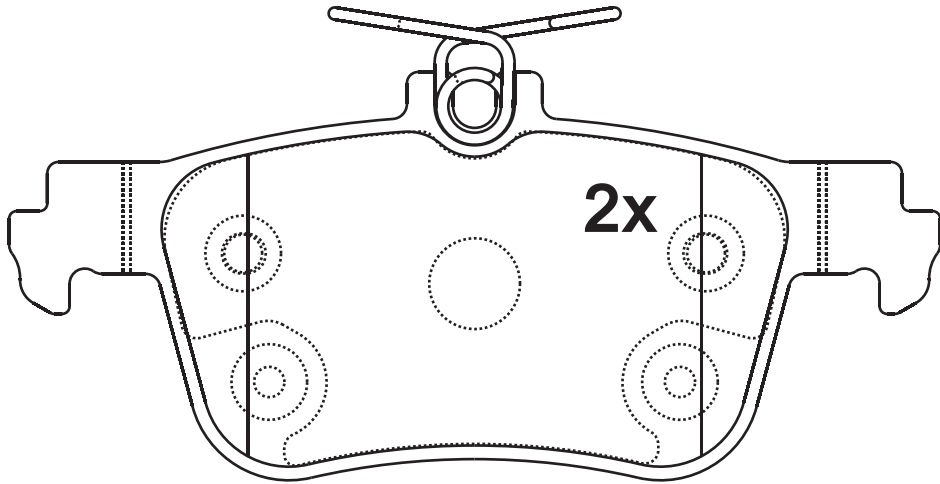
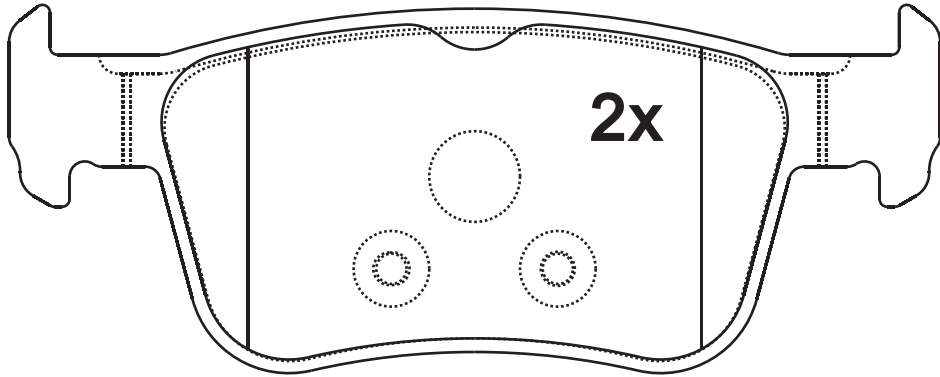


Apply for:
Chang'an CS55 PLUS

SR1320.01

Dimension (mm)	Thickness (mm)	
123.1X48.7/54.1	14.7	

NOTE
2 identical, 2 identical:



Apply for:
Chang'an CS55 PLUS

SR1321.01

**Dimension
(mm)**

163X57.8

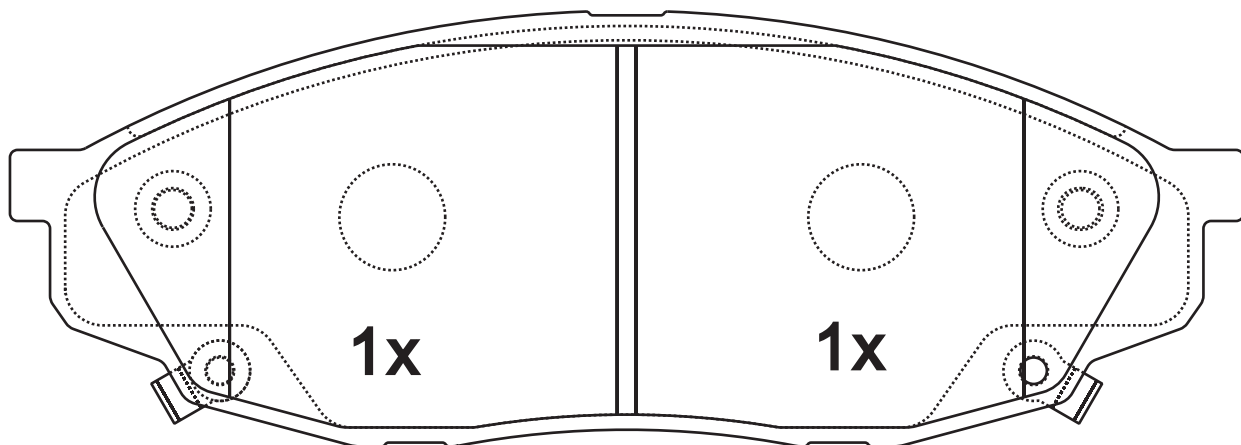
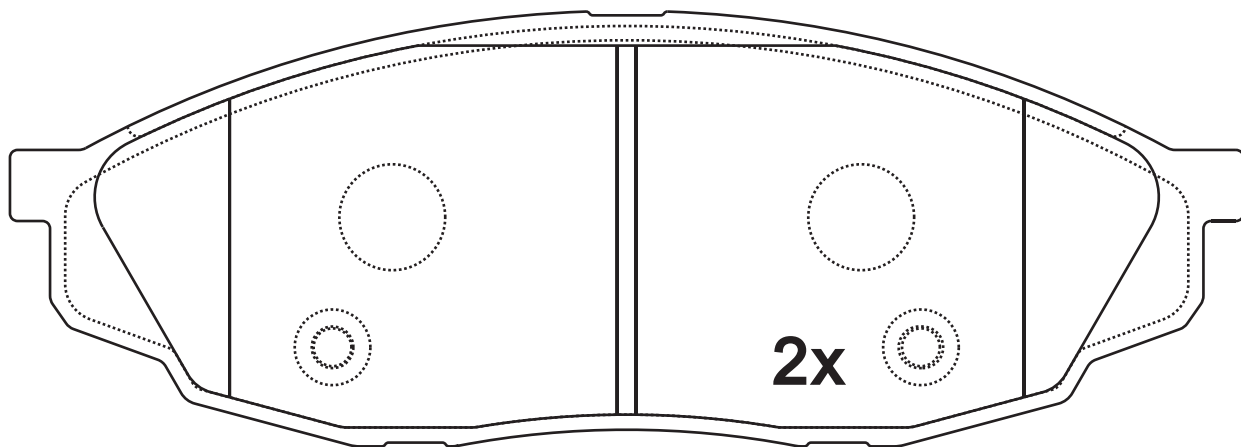
**Thickness
(mm)**

17.7



NOTE

4 identical, 1 with acoustic indicator (left), 1 with acoustic indicator (right).

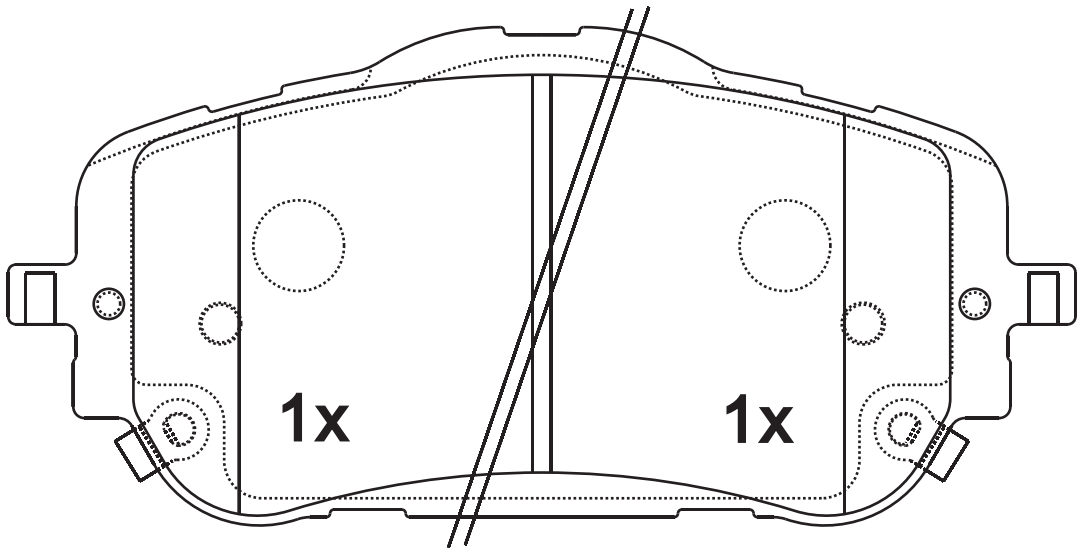
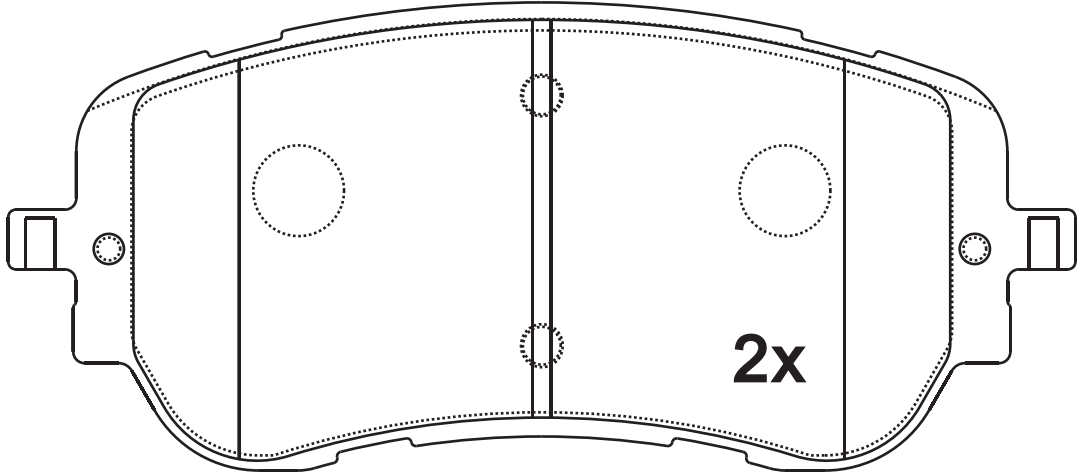


Apply for:
Chang'an UNI-K

SR1322.01

Dimension (mm)	Thickness (mm)	
141.2X62.1 141.2X65.9	17.5	

NOTE
4 identical, 1 with acoustic indicator (left), 1 with acoustic indicator (right).



8x

Apply for:
HAVAL DAGOU

SR1323.01

Dimension
(mm)

Thickness
(mm)

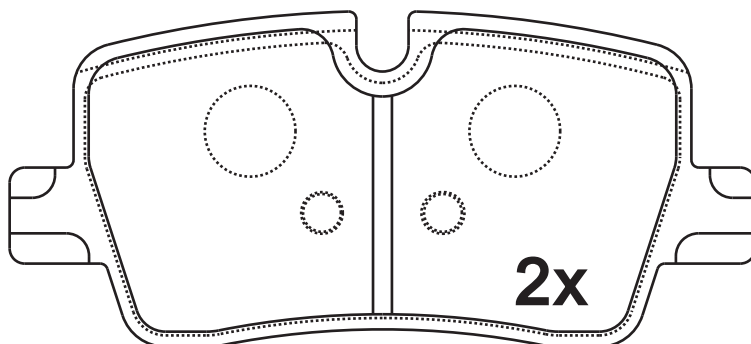


NOTE

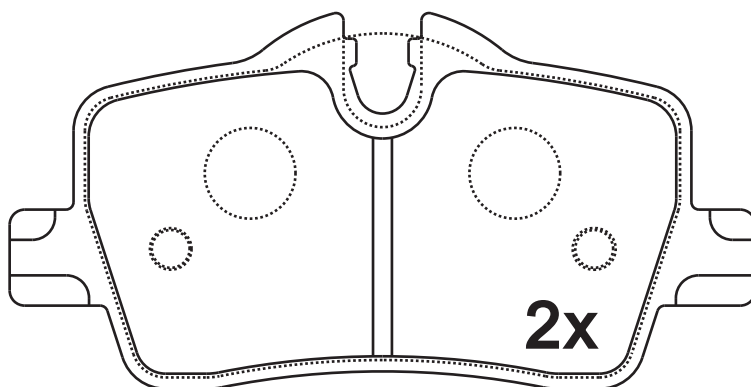
2 identical ;2 identical ;

98.6X44.3/49.7

16.6



21422



21421

Apply for:

BMW 3 (G20)

BMW (BRILLIANCE) 3 SERIES (G28, G20)

2018/11-

2019/06-

SR1324.01

Dimension
(mm)

Thickness
(mm)

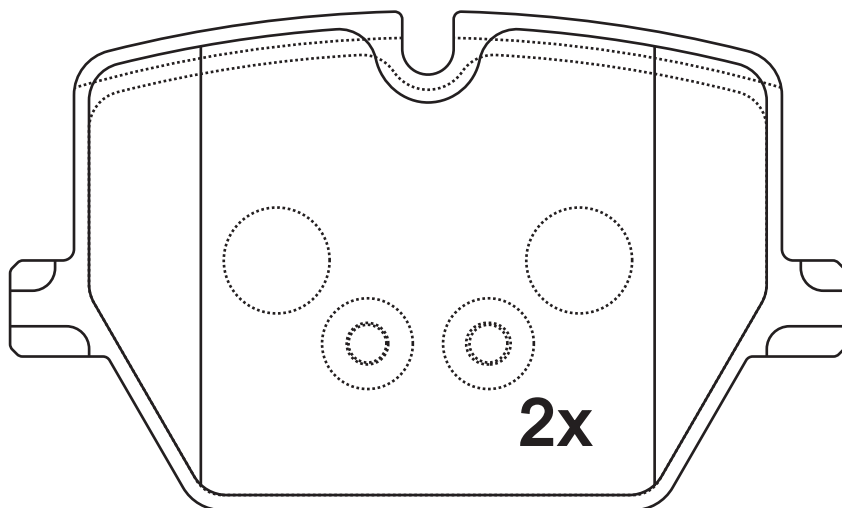


NOTE

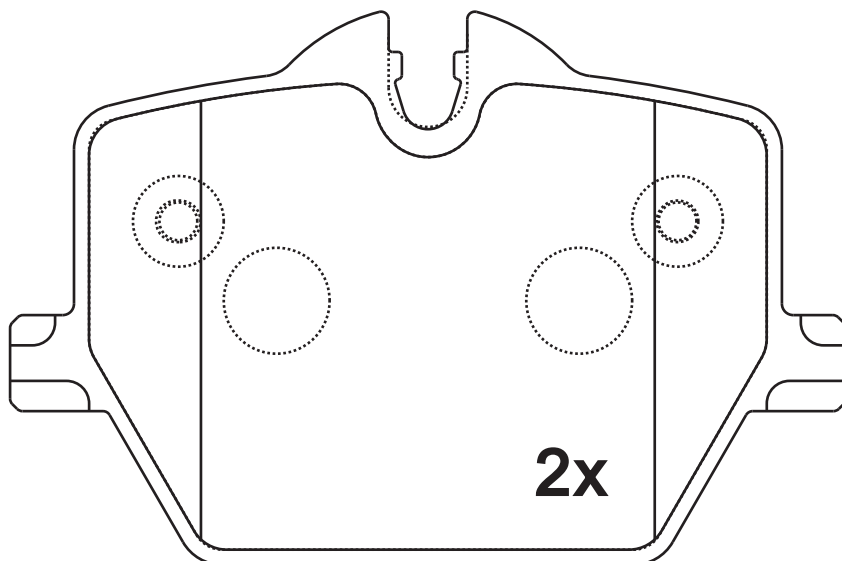
2 identical ;2 identical ;

110.5X65.9/73.1

16.8



21475



21474

Apply for:

BMW 3 (G20)

BMW 4 Convertible (G23, G83)

TOYOTA SUPRA (DB_)

2018/11-

2020/11-

2019/03-

SR1325.01

Dimension
(mm)

170.4X64.3

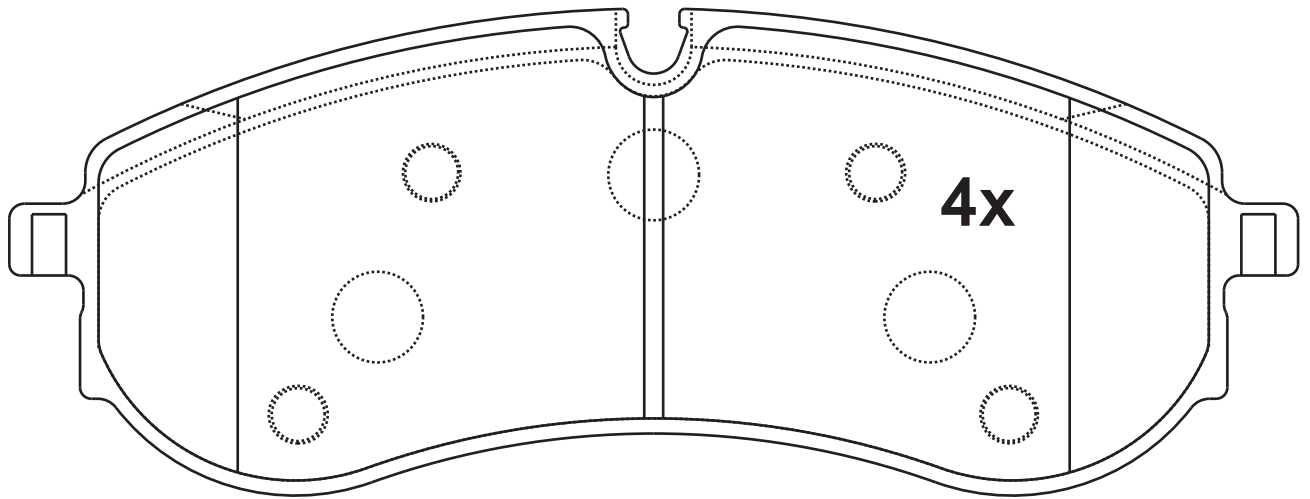
Thickness
(mm)

19.9



NOTE

4 identical ;



22492



8x

Apply for:

MAN TGE Box (UY_)

VOLKSWAGEN CRAFTER Box (SY_, SX_)

2017/02-

2016/09-

SR1326.01

Dimension
(mm)

132.8X49.3

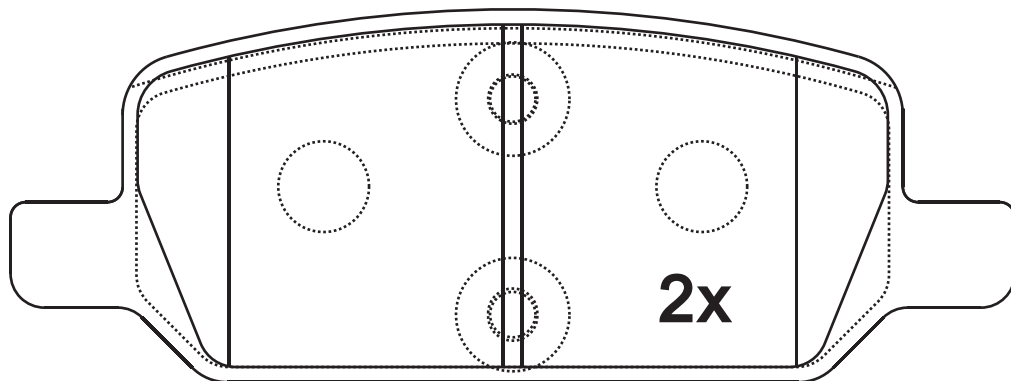
Thickness
(mm)

15.6

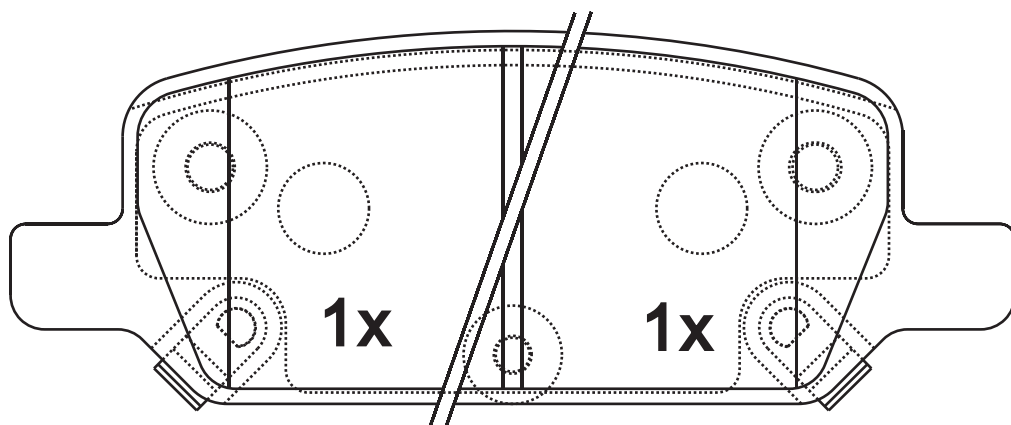


NOTE

4 identical, 1 with acoustic indicator (left), 1 with acoustic indicator (right).



26277



26279

26278

Apply for:

TESLA MODEL 3

TESLA MODEL Y (5YJY)

2017/08-

2019/03-

SR1327.01

Dimension
(mm)

Thickness
(mm)

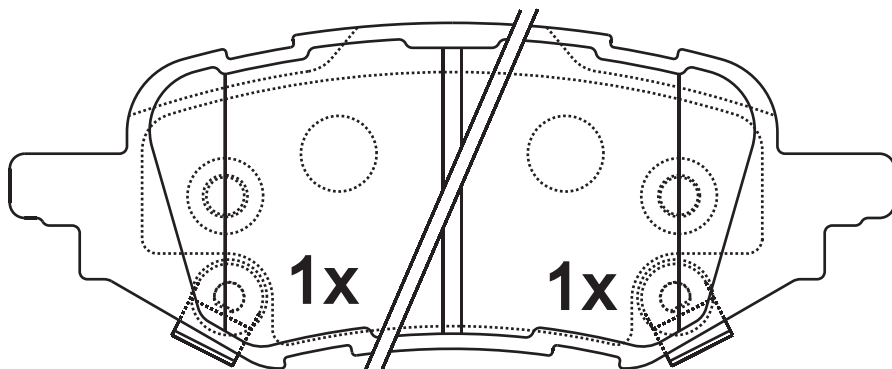
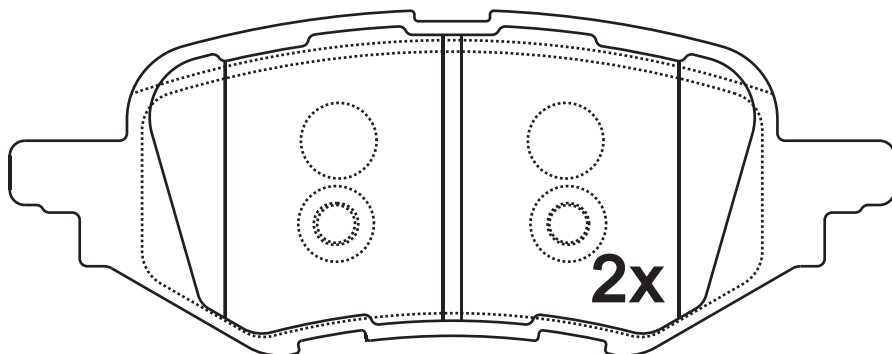


NOTE

2 identical;2 identical,1 with acoustic indicator (left),1 with acoustic indicator(right).

117X45.6

17.8



D2160

Apply for:

BUICK (SGM) GL6

2017-

BUICK (SGM) VELITE 6

2019-

CHEVROLET (SGM) ORLANDO

2018-

SR1328.01

Dimension
(mm)

126.8X53.1

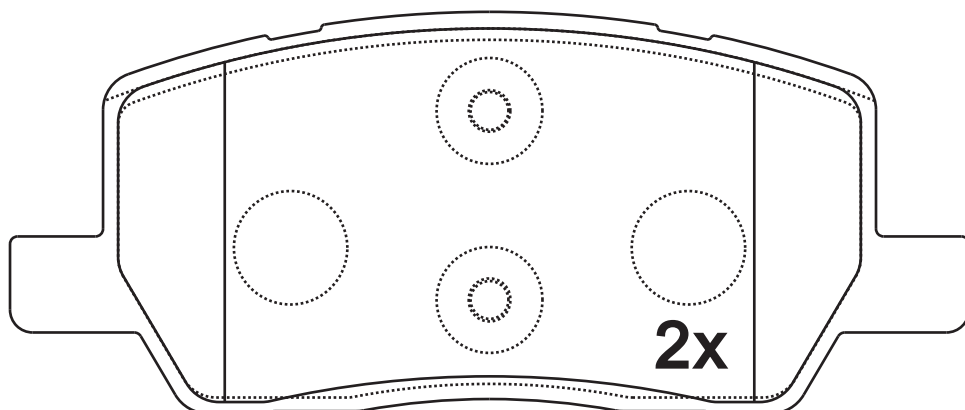
Thickness
(mm)

15.8

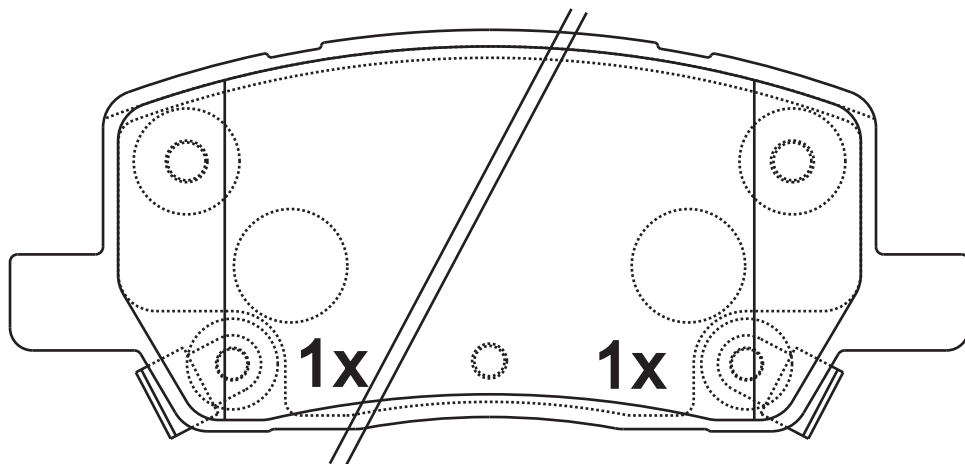


NOTE

2 identical; 2 identical, 1 with acoustic indicator (left), 1 with acoustic indicator (right).



26498



26497

26496

Apply for:

TESLA MODEL S (5YJS) 100D AWD 2017-
TESLA MODEL X (5YJX) 100D AWD 2017-

SR1329.01

Dimension
(mm)

Thickness
(mm)

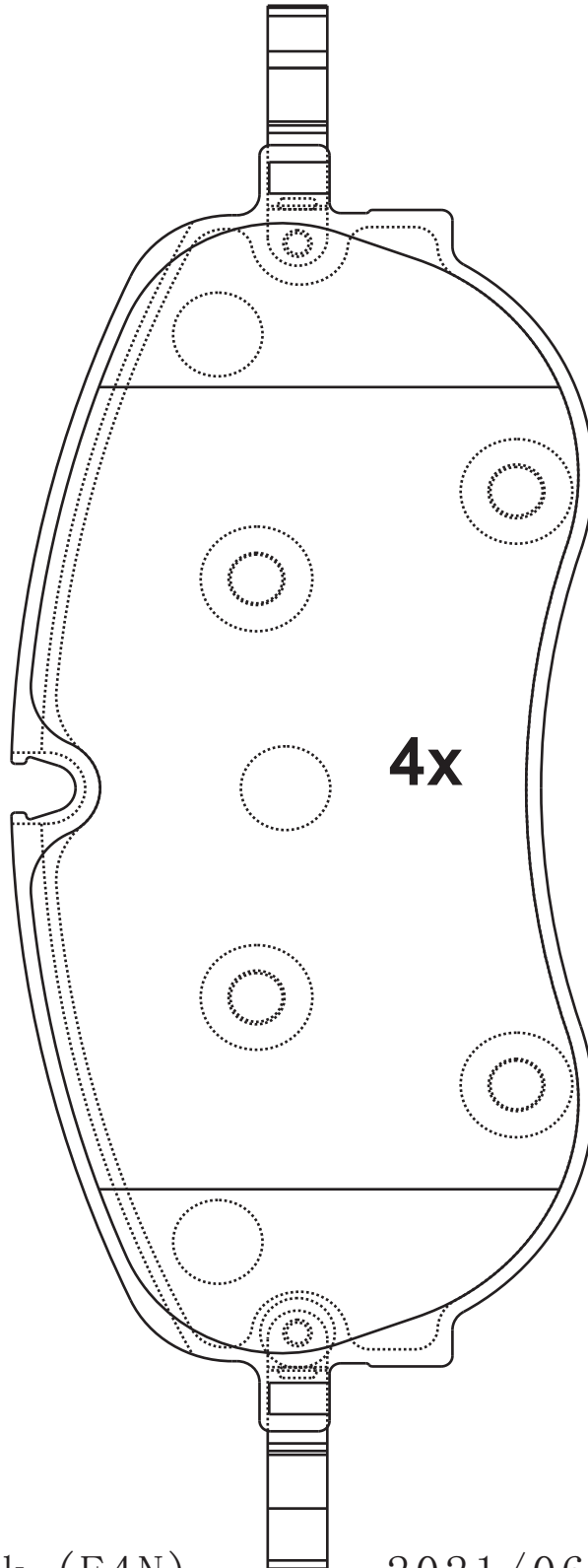


NOTE

4 identical ;

184.4X78.1

19



8x

4x

26407

Apply for:

AUDI Q4 Sportback (F4N)

VOLKSWAGEN ID.4 (E21)

SKODA ENYAQ iV SUV (5AC, 5AZ)

2021/06-

2020/05-

2020/10-

SR1330.01

Dimension
(mm)

Thickness
(mm)

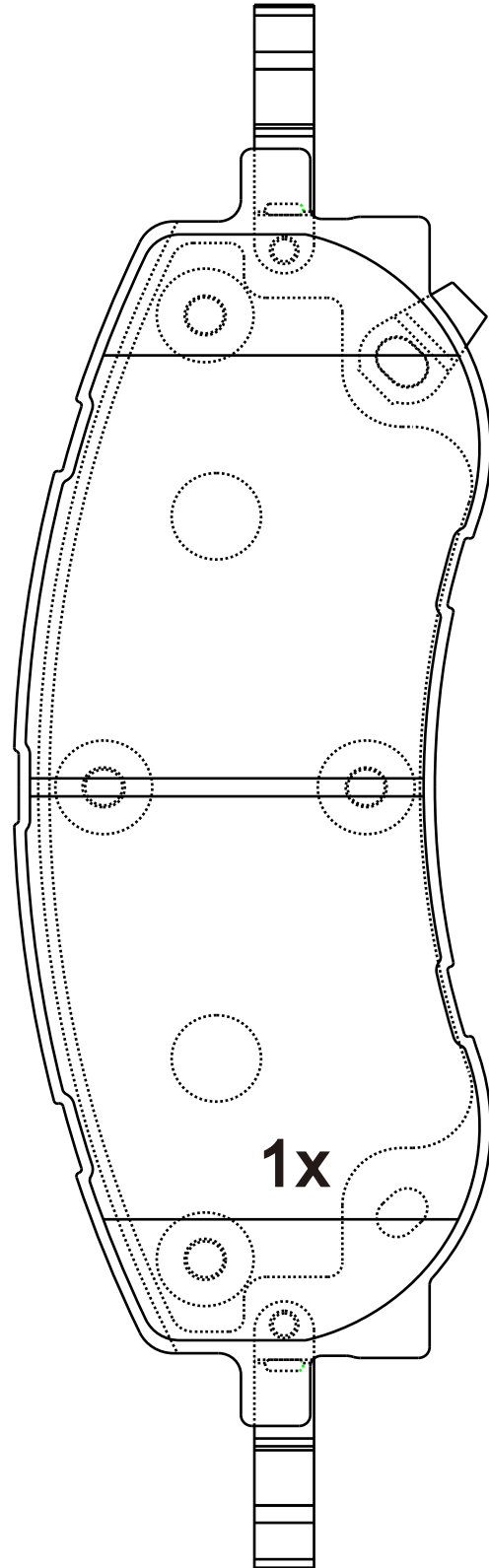
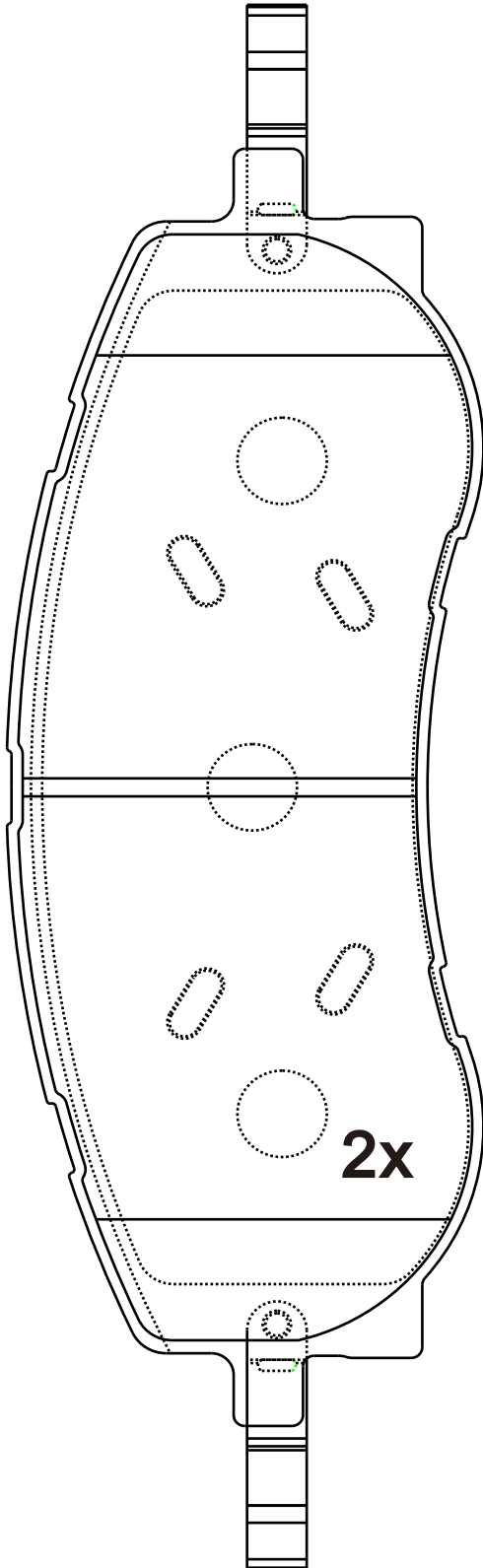


NOTE

2 identical; 2 identical, 1 with acoustic indicator (left), 1 with acoustic indicator (right).

177.4X63.9

16.6



.....Next

SR1330.01

Dimension
(mm)

177.4X63.9

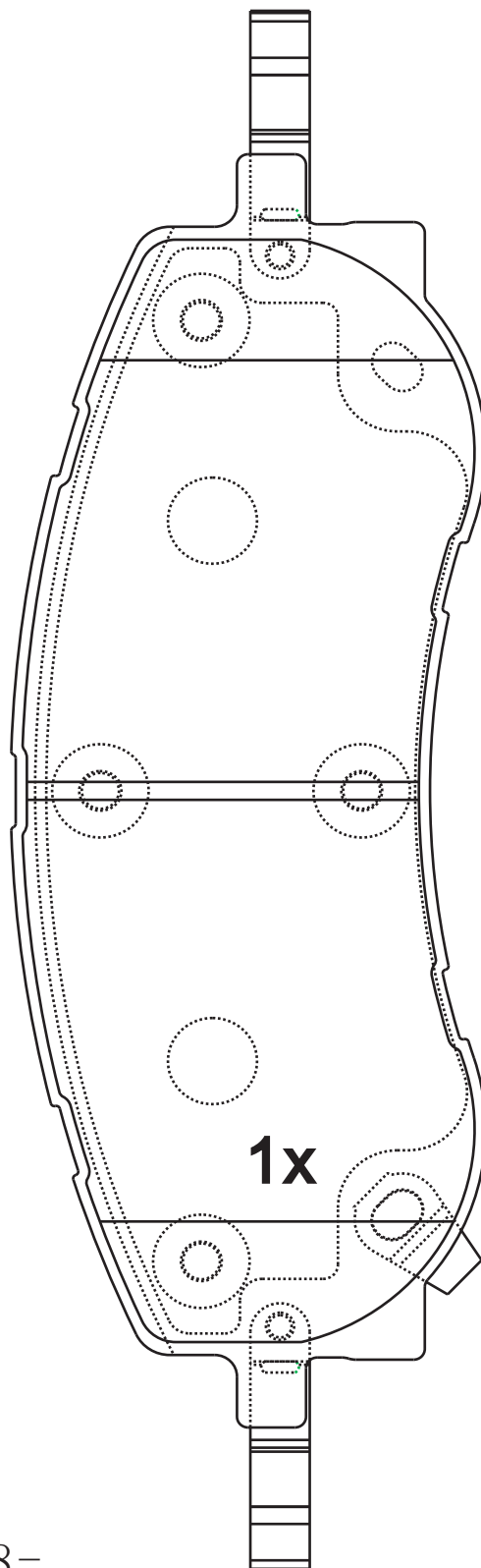
Thickness
(mm)

16.6



NOTE

2 identical;2 identical,1 with acoustic indicator (left),1 with acoustic indicator(right).



8x

Apply for:

LIXIANG ONE 2018/08-

SR1330.02

Dimension
(mm)

177.4X63.9

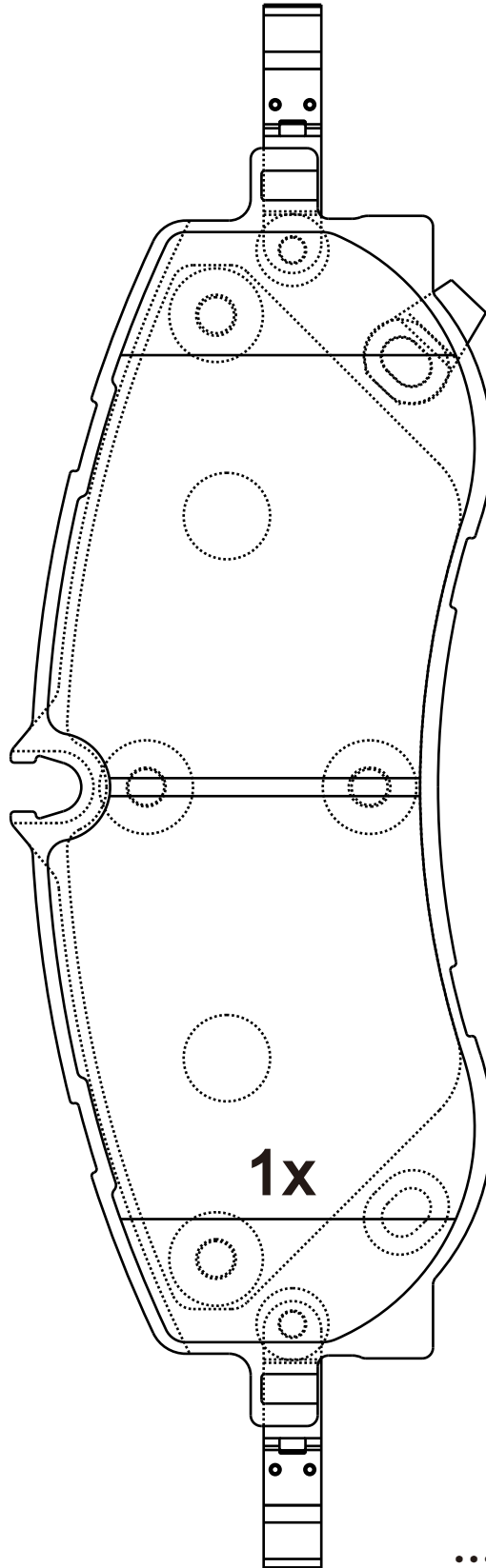
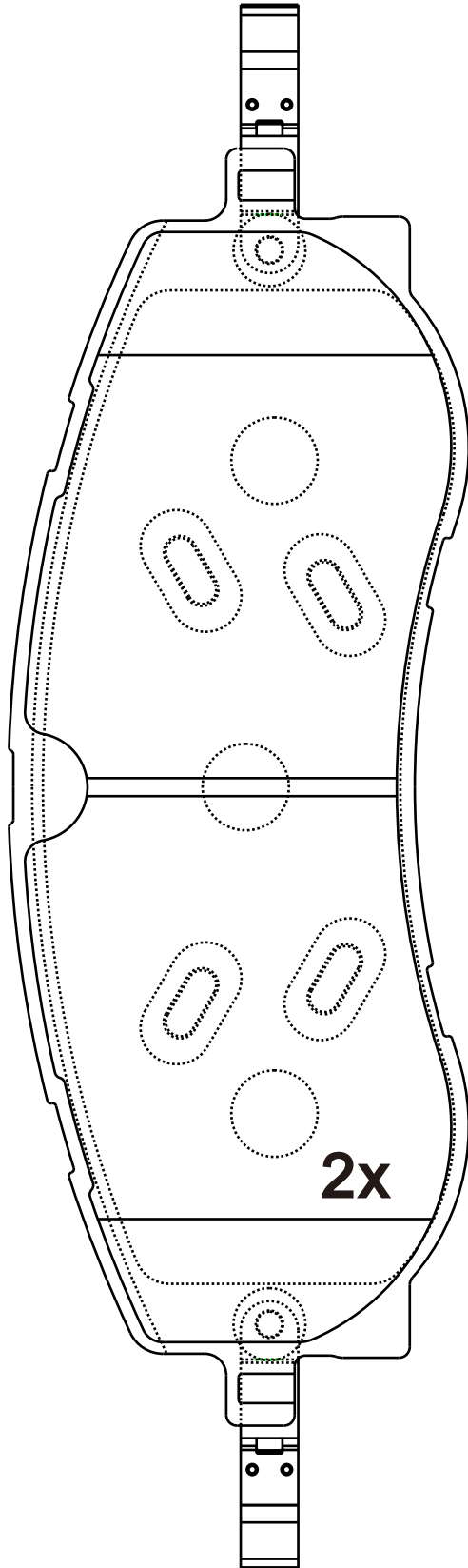
Thickness
(mm)

16.6



NOTE

2 identical; 2 identical, 1 with acoustic indicator (left), 1 with acoustic indicator (right).



.....Next

SR1330.02

Dimension
(mm)

Thickness
(mm)

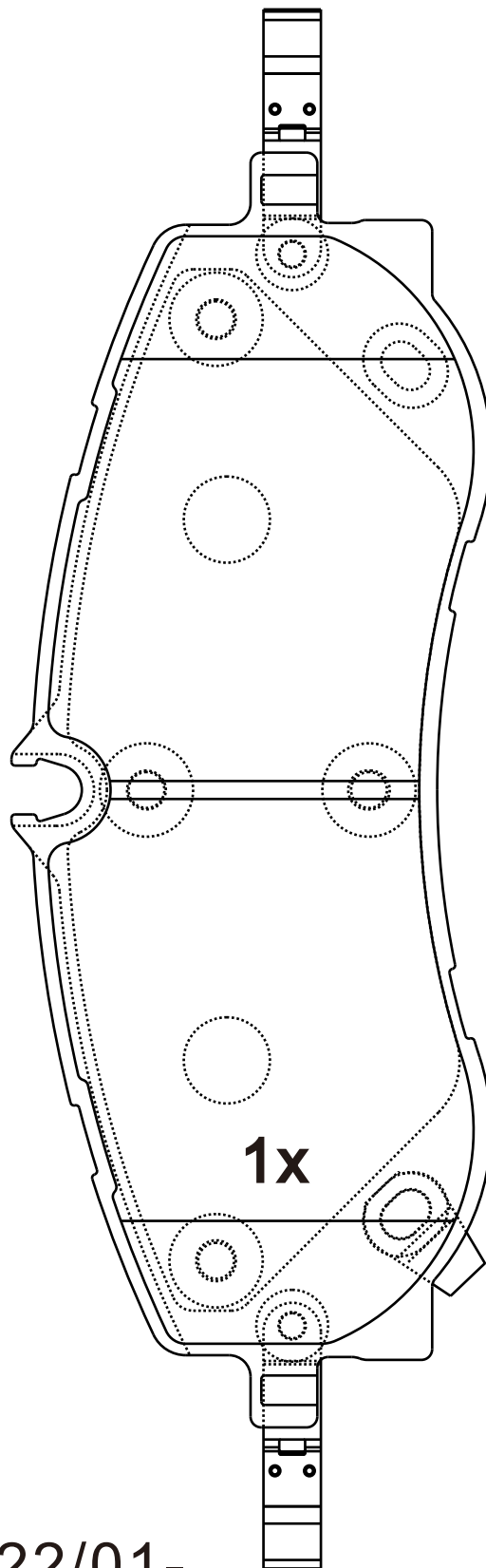


NOTE

2 identical; 2 identical, 1 with acoustic indicator (left), 1 with acoustic indicator (right).

177.4X63.9

16.6



8x

1x

Apply for:

LIXIANG

L9

2022/01-

SR1331.01

Dimension
(mm)

130X57.7

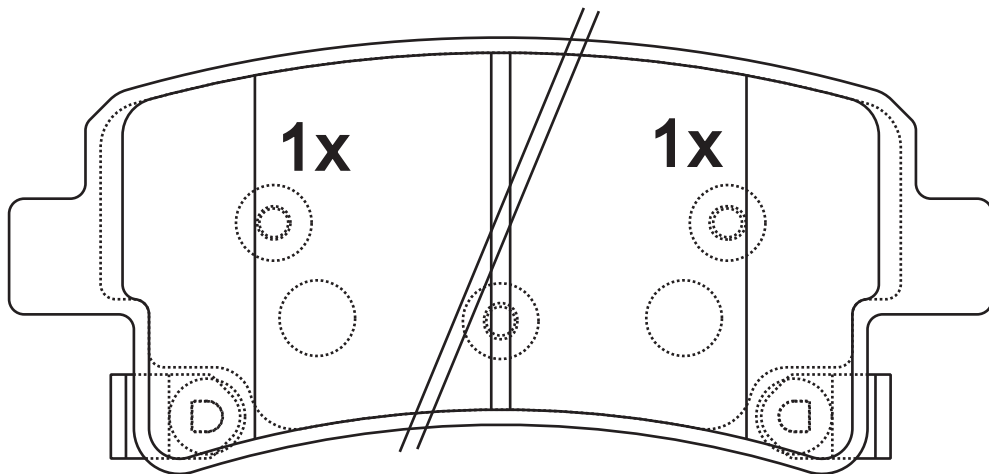
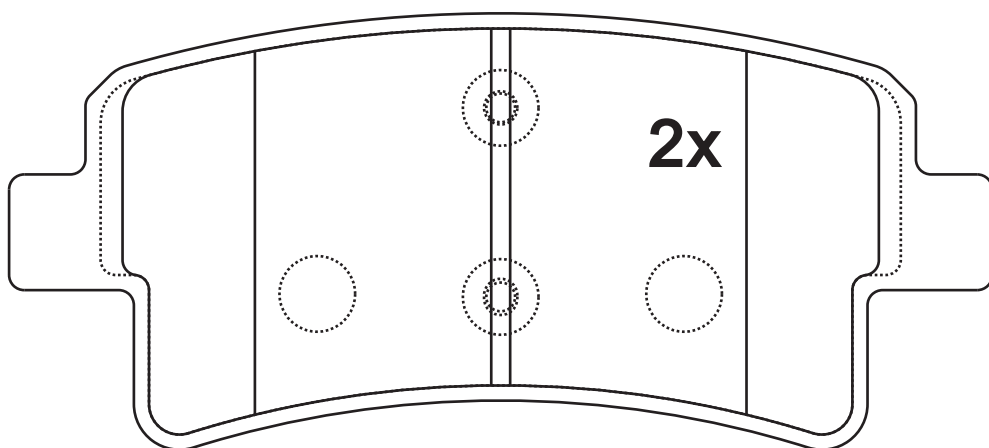
Thickness
(mm)

17



NOTE

2 identical; 2 identical, 1 with acoustic indicator (left), 1 with acoustic indicator (right).



Apply for:

BYD Tang EV 2020/02-

SR1332.01

Dimension
(mm)

157.3X60

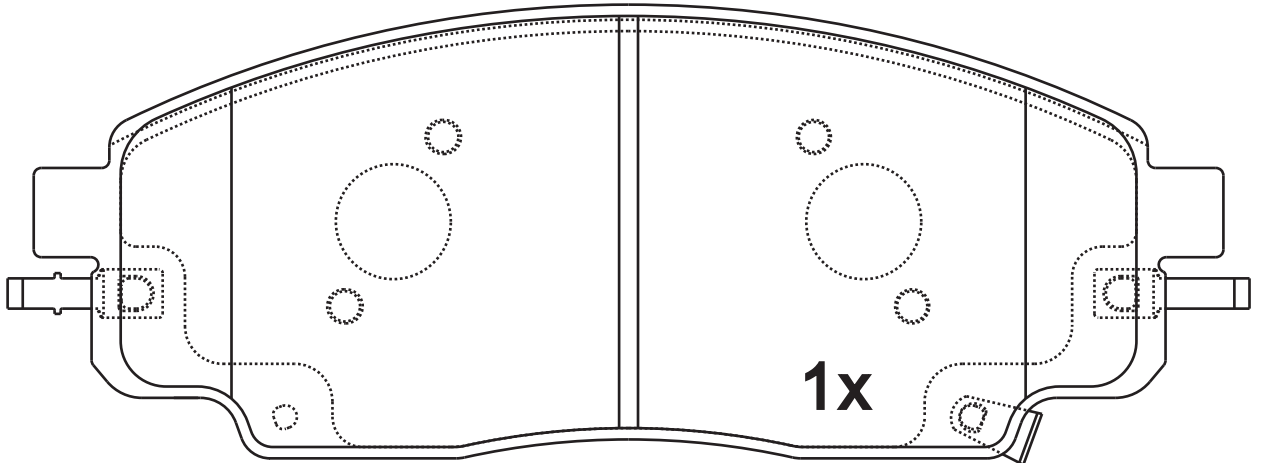
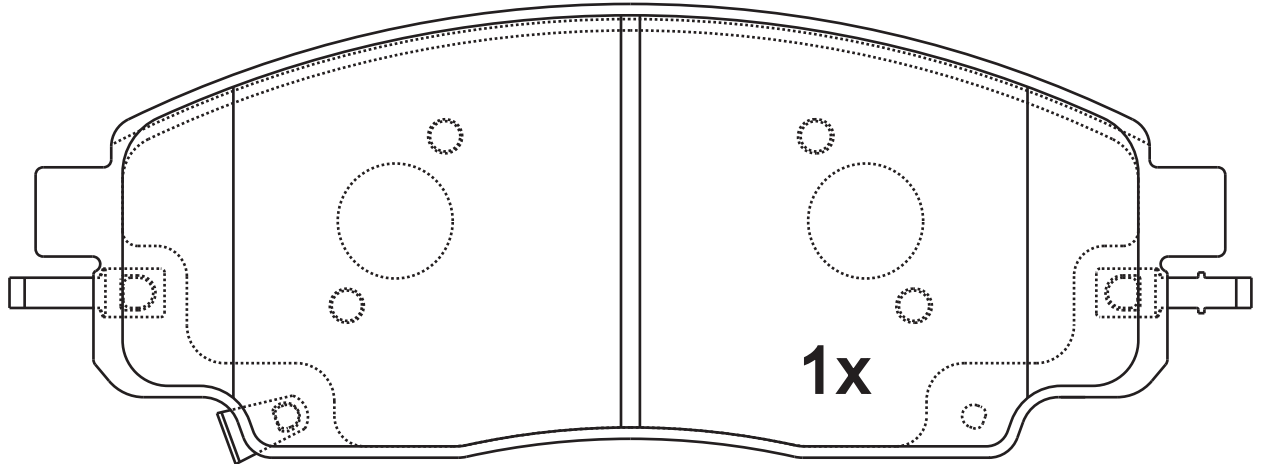
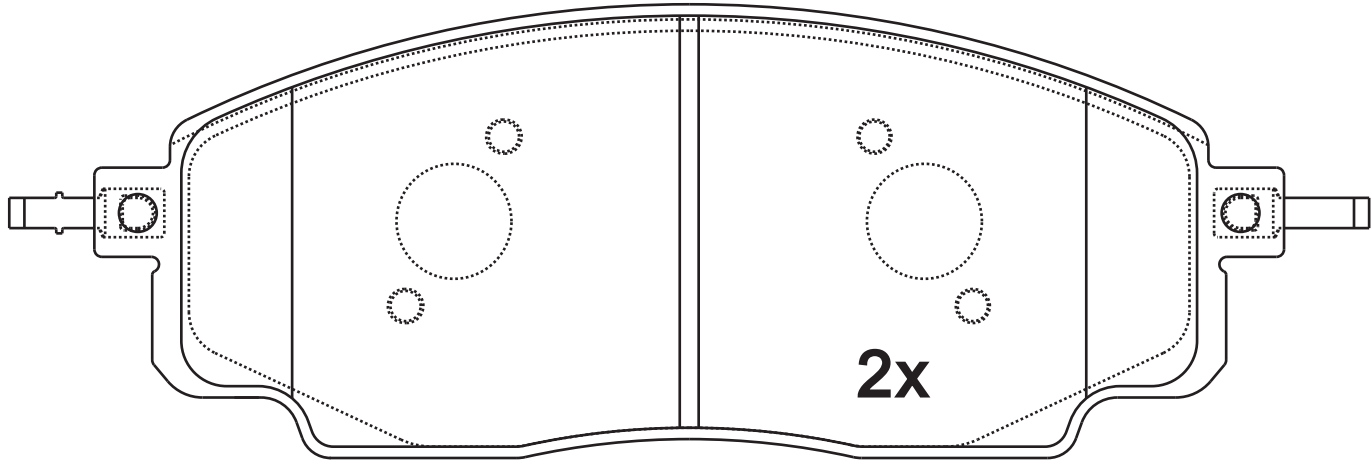
Thickness
(mm)

14.2



NOTE

2 identical; 2 identical, 1 with acoustic indicator (left), 1 with acoustic indicator (right).



Apply for:

BYD Han EV ordinary caliper 2020/01-

SR1333.01

Dimension
(mm)

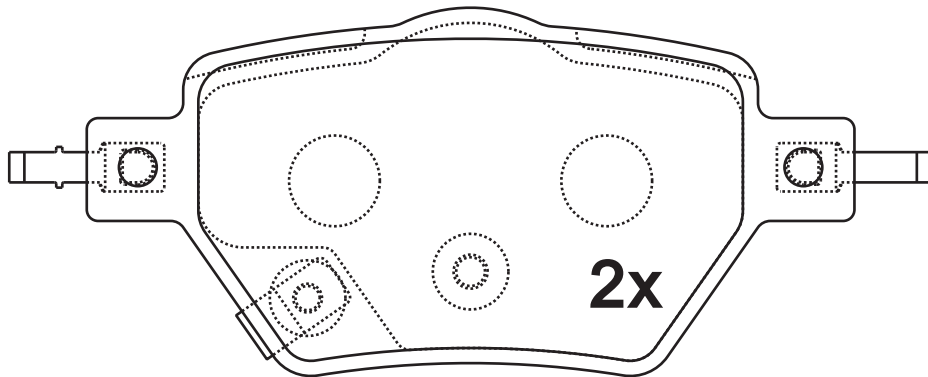
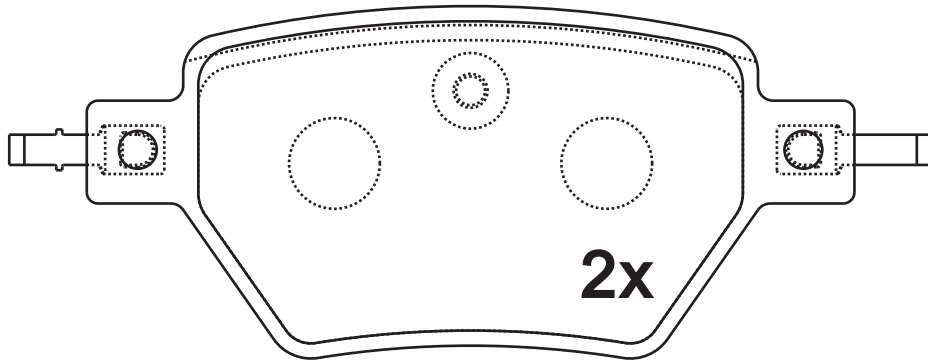
Thickness
(mm)



NOTE
2 identical;2 identical,

101.5X46.6
101.5X48.7

15.7



Apply for:

BYD Han EV small calipers 2020/01-

SR1334.01

Dimension
(mm)

119.8X54

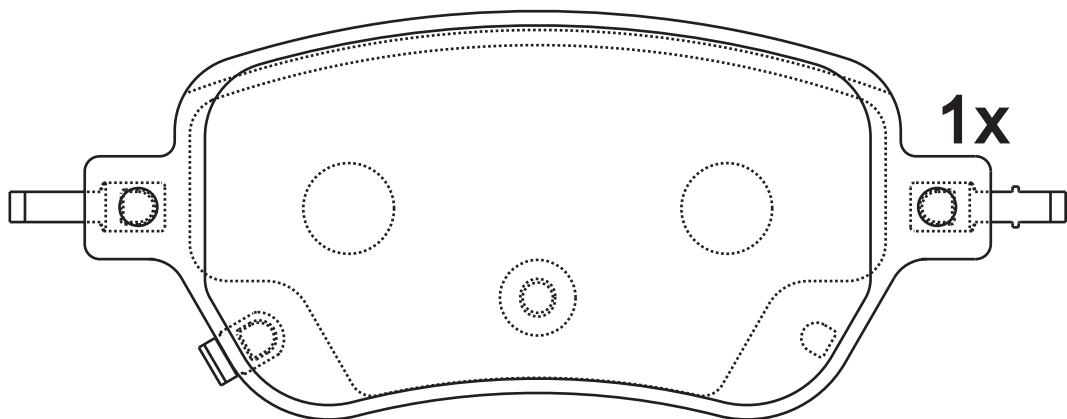
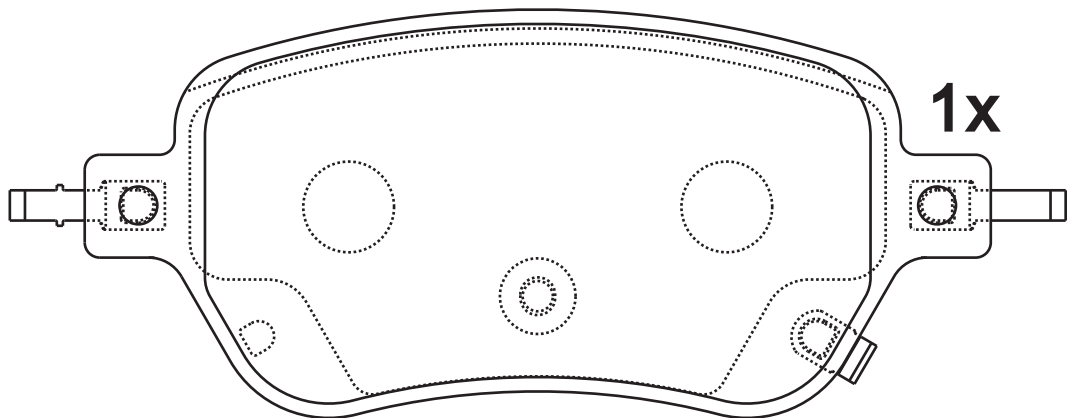
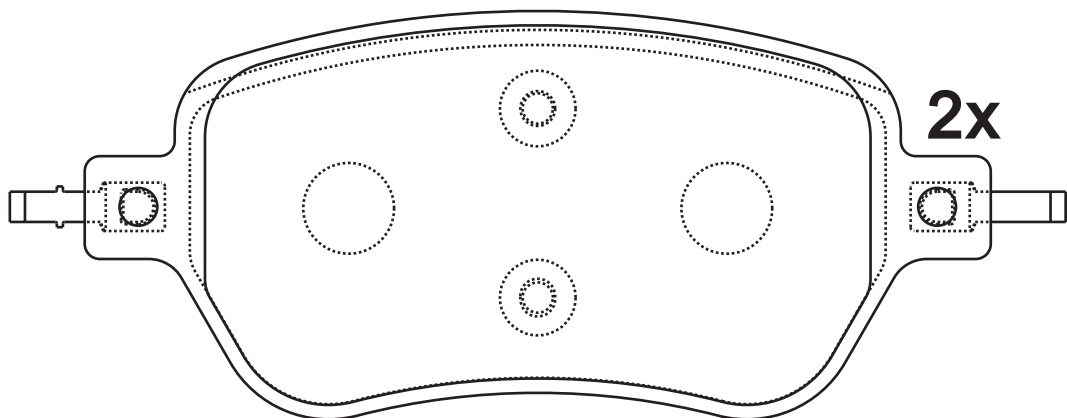
Thickness
(mm)

13



NOTE

2 identical; 2 identical, 1 with acoustic indicator (left), 1 with acoustic indicator (right).



Apply for:

BYD Han EV Big Caliper 2020/01-

SR1335.01

Dimension
(mm)

Thickness
(mm)

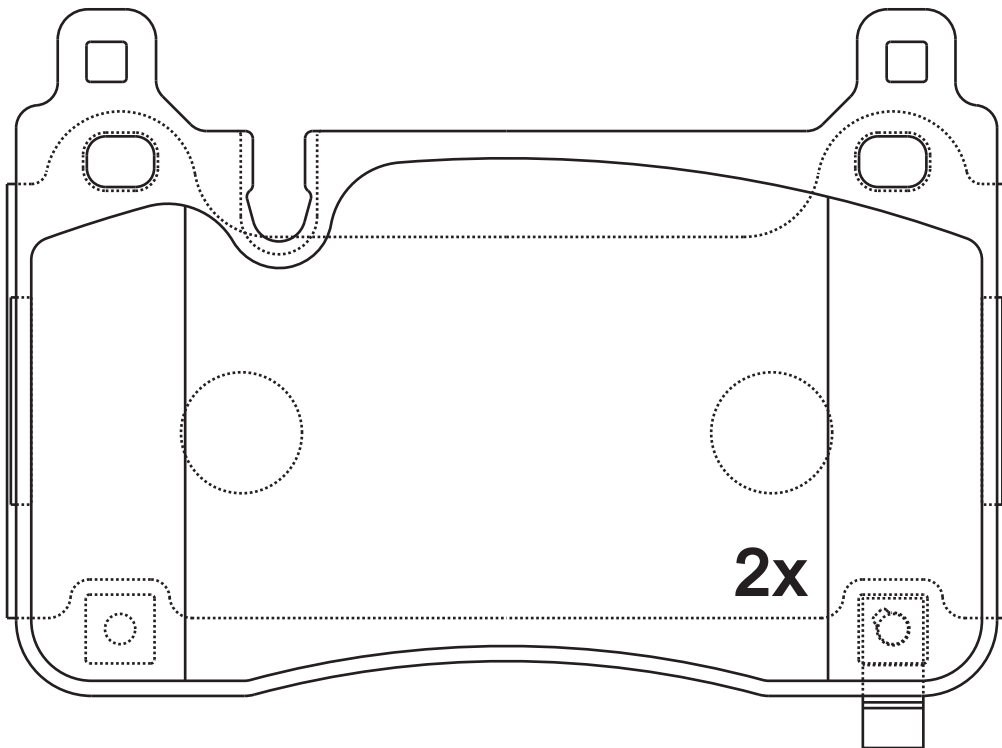
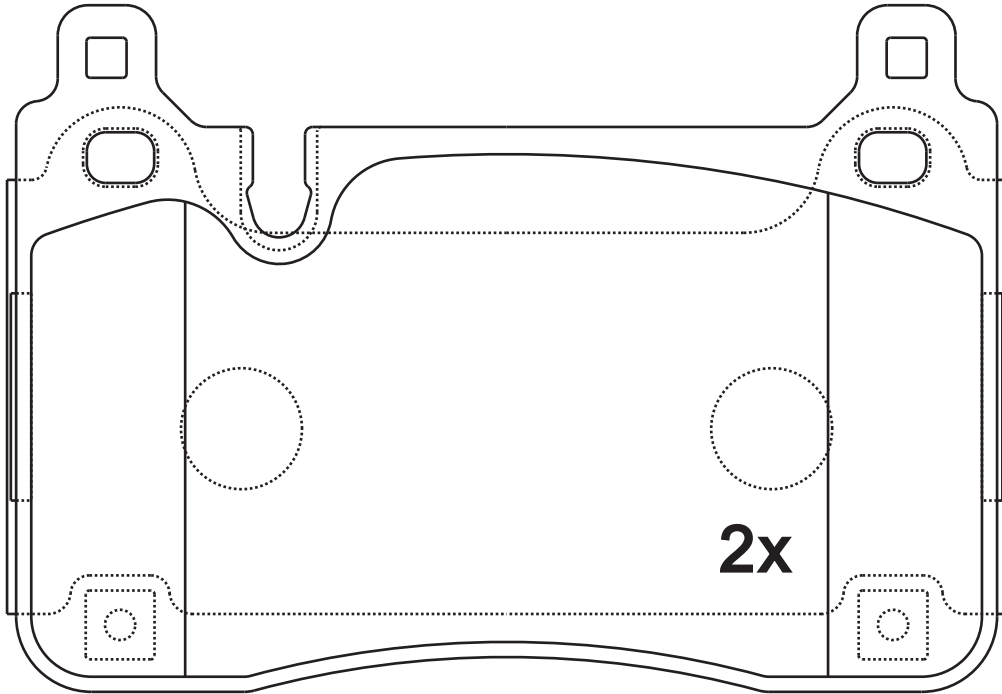


NOTE

2 identical; 2 identical,

129.7X90.8

17



Apply for:

BYD Han EV Brembo Caliper 2020/01-

SR1336.01

Dimension
(mm)

145.7X87.4

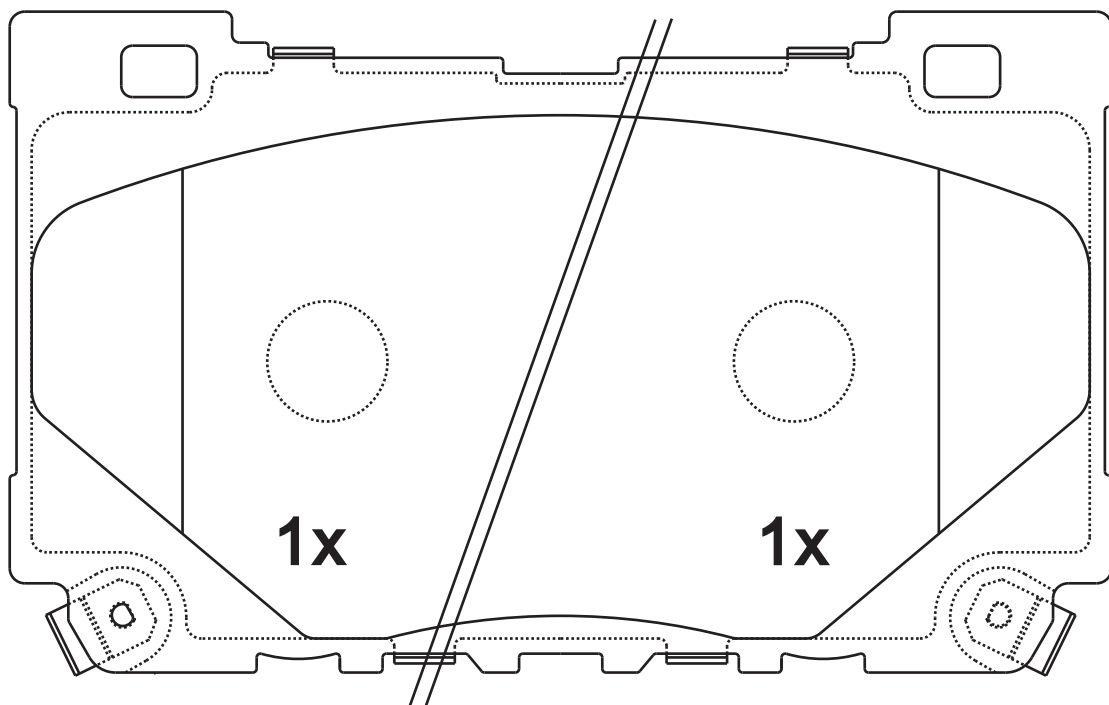
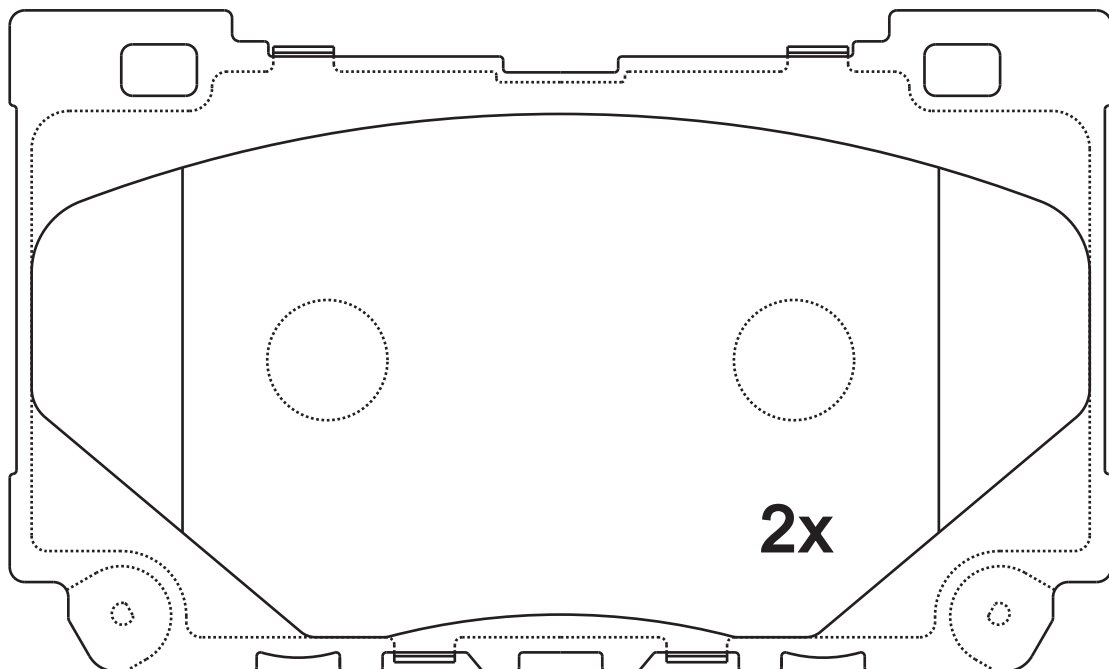
Thickness
(mm)

16.5



NOTE

**4 identical;
1 with acoustic indicator
(right),1 with acoustic
indicator(left).**



Apply for:

ZEEKR 001 2020/10-

SR1337.01

Dimension
(mm)

Thickness
(mm)

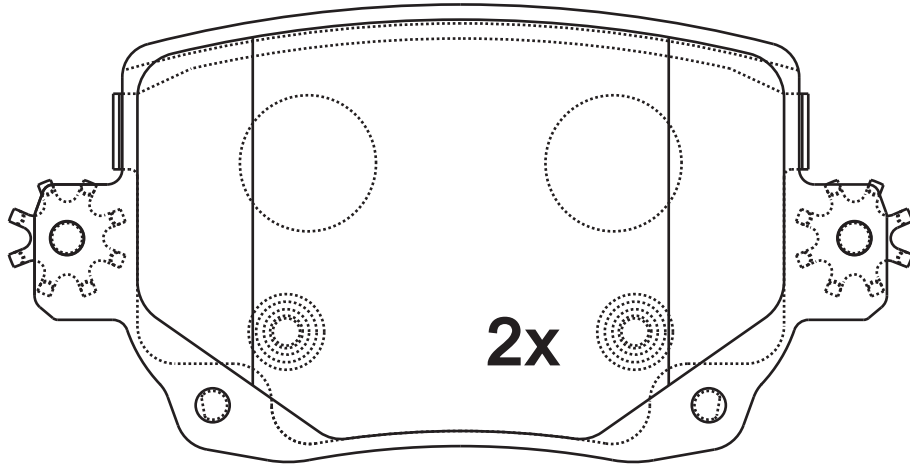


NOTE

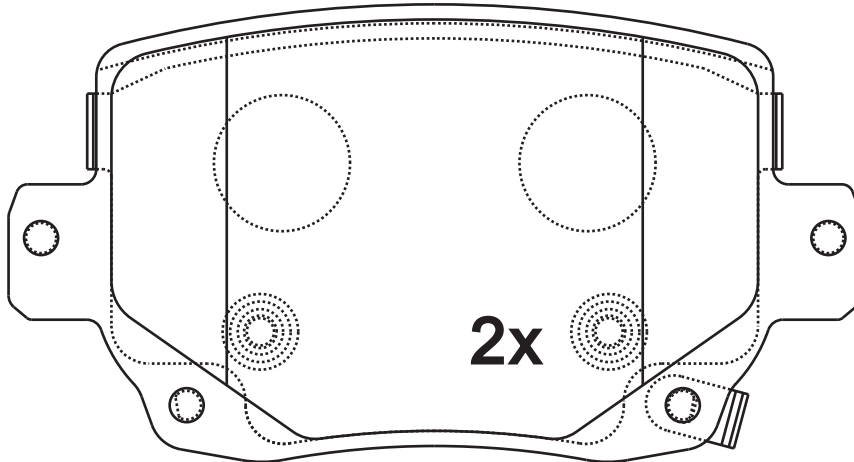
2 identical ;2 identical ;

112.7X60.5

16.5



26373



26372

Apply for:

TESLA MODEL 3

TESLA MODEL Y (5YJY)

2017/08-

2019/03-

SR1338.01

Dimension
(mm)

Thickness
(mm)



NOTE

2 identical ; 2 identical ;

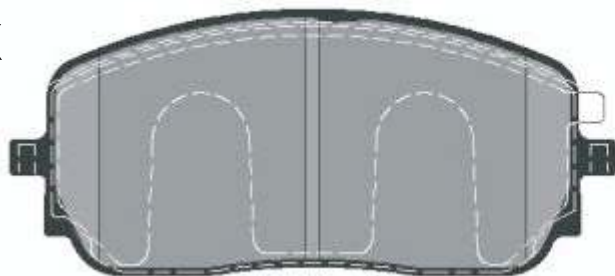
163.1X71.6
163.1X80.9

16.5

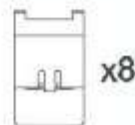


163.4 x 71.5 x 18.7

2x

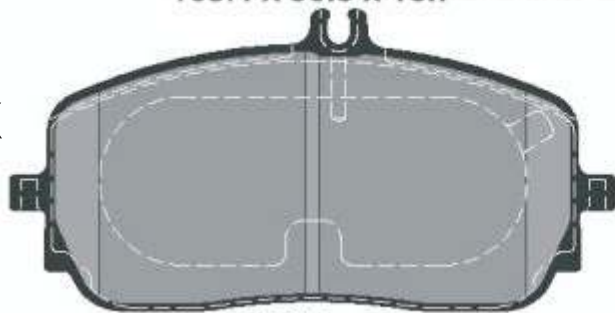


22944 x 2



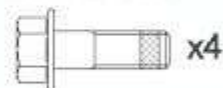
163.4 x 80.8 x 18.7

2x



22945 x 2

M10 x 31.5



Apply for:

MERCEDES BENZ A-CLASS (W177)

2018/03-

MERCEDES BENZ EQA (H243)

2021/02-

SR1339.01

Dimension
(mm)

Thickness
(mm)

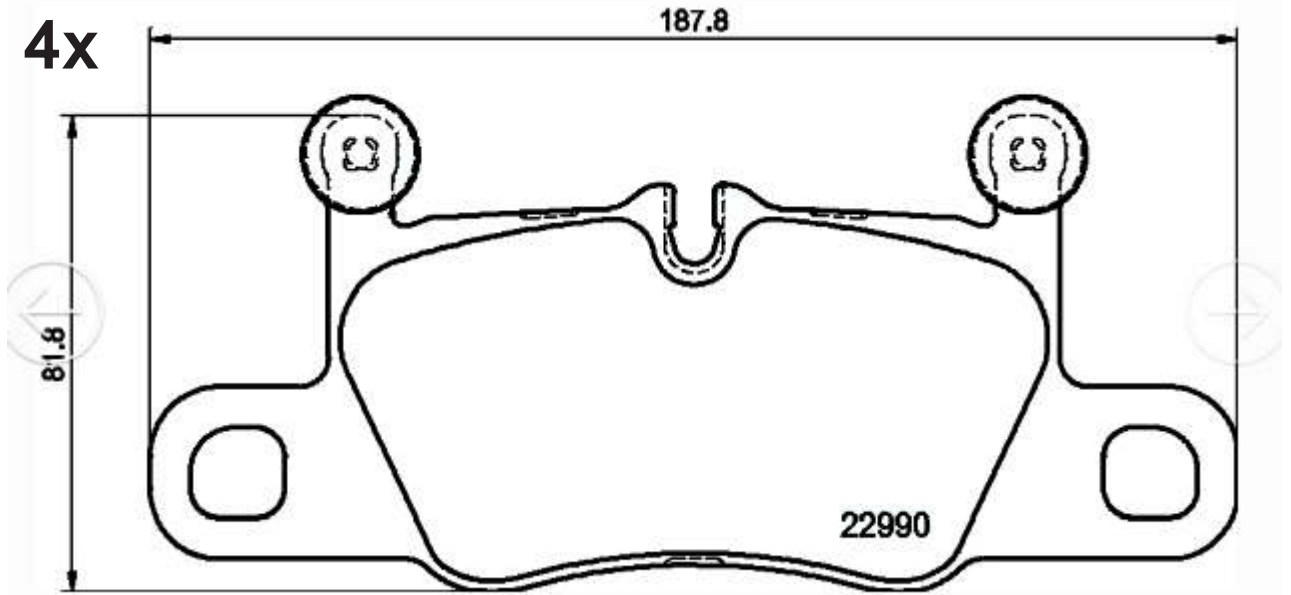


NOTE

4 identical ;

187.5X82.4

16



Apply for:

PORSCHE Cayenne 2019-

SR1340.01

Dimension
(mm)

Thickness
(mm)



NOTE

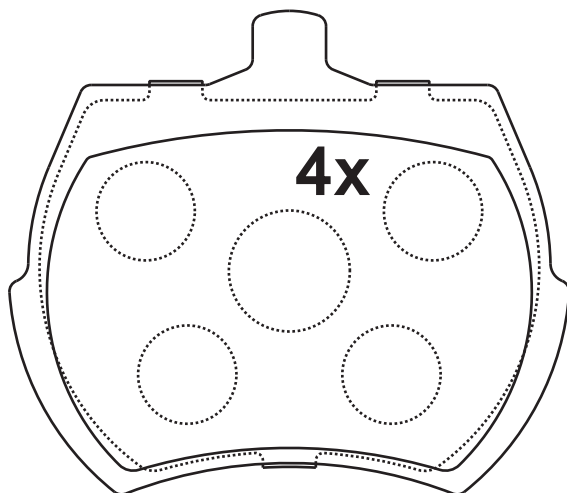
4 identical ;

74x64

14.6



暂未开模



20038

Apply for:

ROVER MINI Convertible (XN)
VAUXHALL FIRENZA Coupe

1992/09-2001/05
1971/01-1978/08

SR1341.01

Dimension
(mm)

Thickness
(mm)



NOTE

4 identical ;

190x92.9

17

无模具

190.0 x 92.9 x 17.0



24847 x 4

Apply for:

AUDI A6 (4G2, 4GC, C7)

AUDI A7 Sportback (4GA, 4GF)

AUDI A8 (4H2, 4H8, 4HC, 4HL)

AUDI Q5 (8RB)

2010/11-2018/09

2010/07-2018/05

2009/11-2018/01

2008/11-

SR1342.01

Dimension
(mm)

136.7x59.2

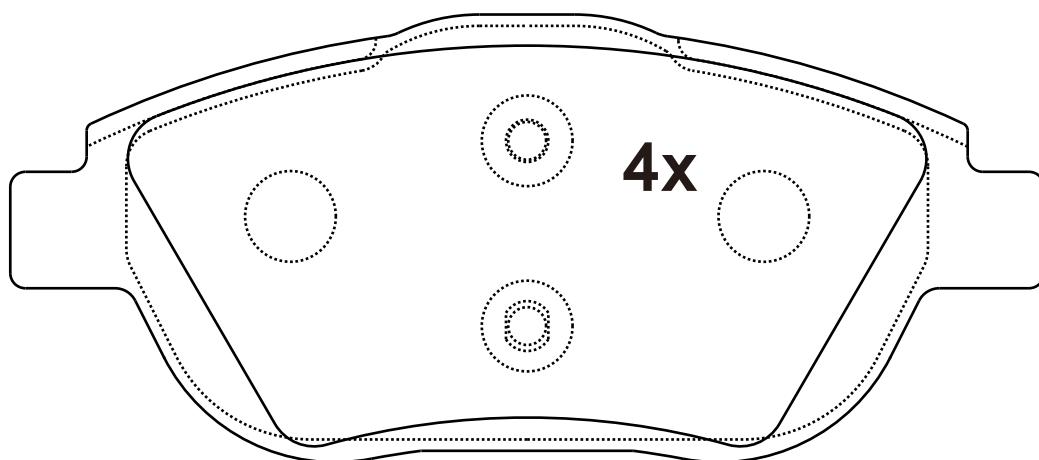
Thickness
(mm)

18



NOTE

4 identical ;



24883

Apply for:

CITROEN C3 I (FC_, FN_)

CITROEN C3 II (SC_)

PEUGEOT 2008 (CU_)

2002/02-

2009/11-

2013/03-

SR1343.01

Dimension
(mm)

Thickness
(mm)



NOTE

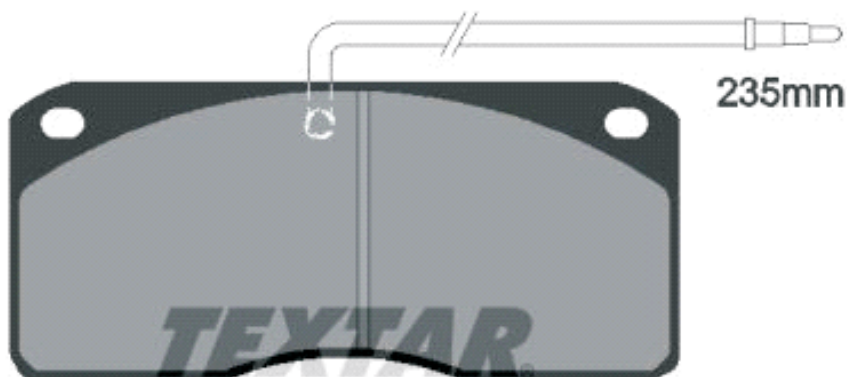
4 identical, 2 with warn indicators.

175.5x78

21.8

无模具

175.5 x 78.0 x 21.0



235mm

29039 x 2



29302 x 2

Apply for:

VOLVO FL 6

VOLVO FLC

NISSAN ECO-T 135.60

1985/09-2000/03

1996/09-2000/09

1997-2000

SR1344.01

Dimension
(mm)

Thickness
(mm)



NOTE

**2 identical; 2 identical,
1 with acoustic indicator
(right), 1 with acoustic
indicator(left)**

106.7x46.8

16.1



无模具

106.7 x 46.8 x 15.3



21759 x 1



21760 x 1

98.7 x 47.1 x 15.3





21761 x 2

Apply for:

TOYOTA MR 2 I (AW1_)

1984/06-1990/06

SR1345.01	Dimension (mm)	Thickness (mm)		NOTE 4 identical;
	175.4*78	22.8		

暂未开模

175.4 x 78.0 x 21.7



29067 x 4

Apply for:

IVECO ZETA 109-14

FORD Cargo 1013

1985-1991

1982-1994

SR1346.01

Dimension
(mm)

Thickness
(mm)



NOTE

2 identical;2 identical;

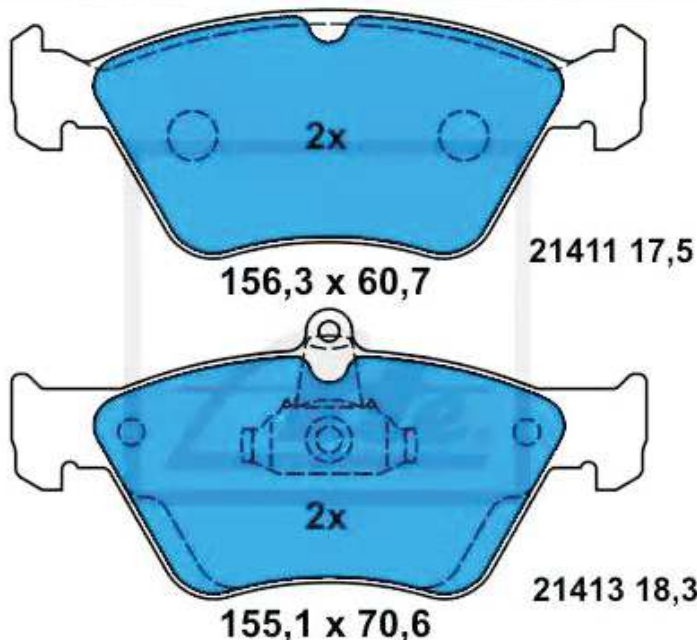
156.3X60.7
155.1X70.6

18



暂未开模

13.0460-7080.2 607080



Apply for:

OPEL CALIBRA A (C89)



1989/08-1997/07

SAAB 900 II

1993/07-1998/02

VAUXHALL CALIBRA (C89)

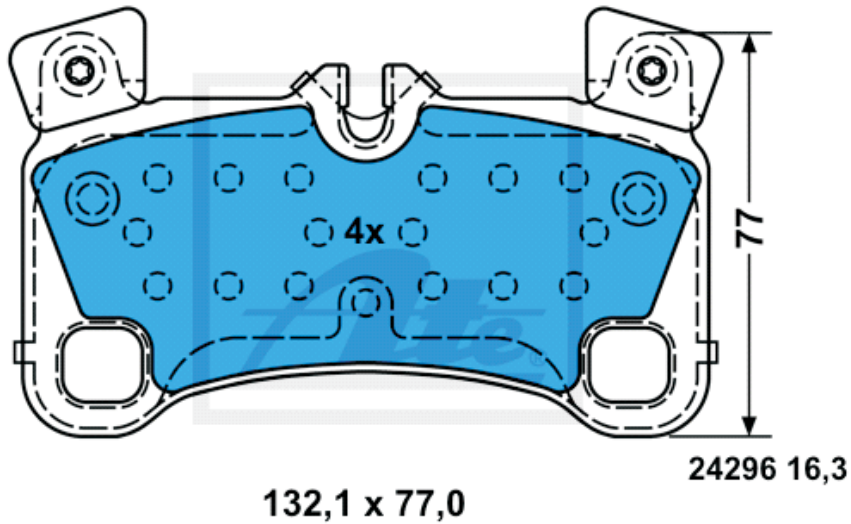
1990/06-1997/07

SR1347.01	Dimension (mm)	Thickness (mm)		NOTE 4 identical;
	132.1x77	16.3		

暂未开模

☆ 收藏

13.0460-4850.2 604850



Apply for:

AUDI Q7 (4LB)

PORSCHE CAYENNE (9PA)

VOLKSWAGEN TOUAREG (7LA, 7L6, 7L7)

2006/03-2016/01

2002/09-2010/09

2002/10-2013/01

SR1348.01

Dimension
(mm)

105.8x53.8

Thickness
(mm)

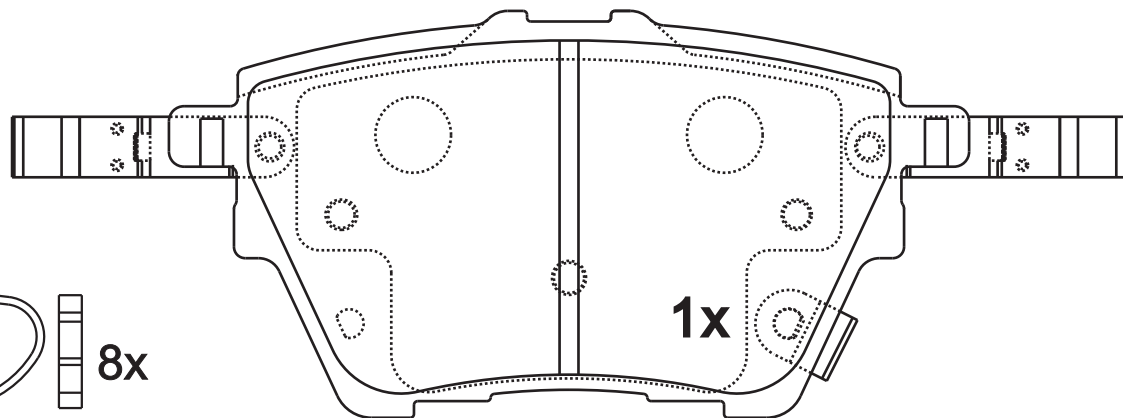
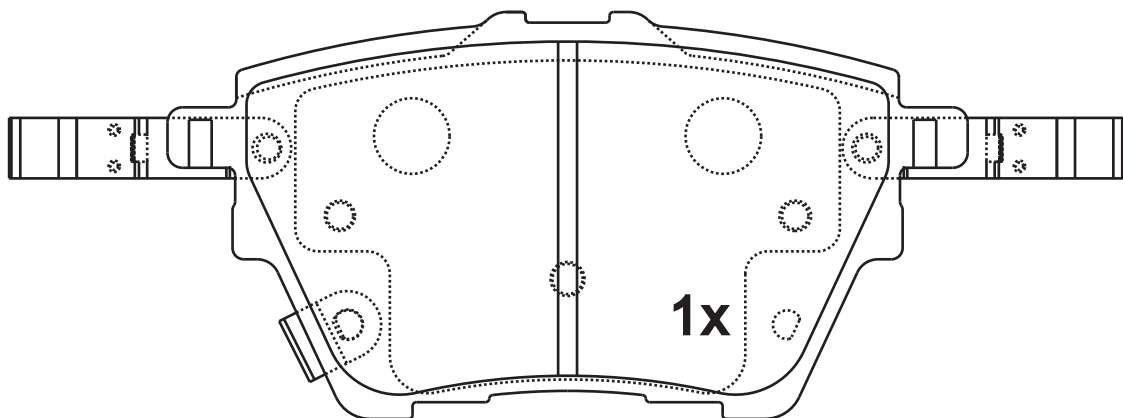
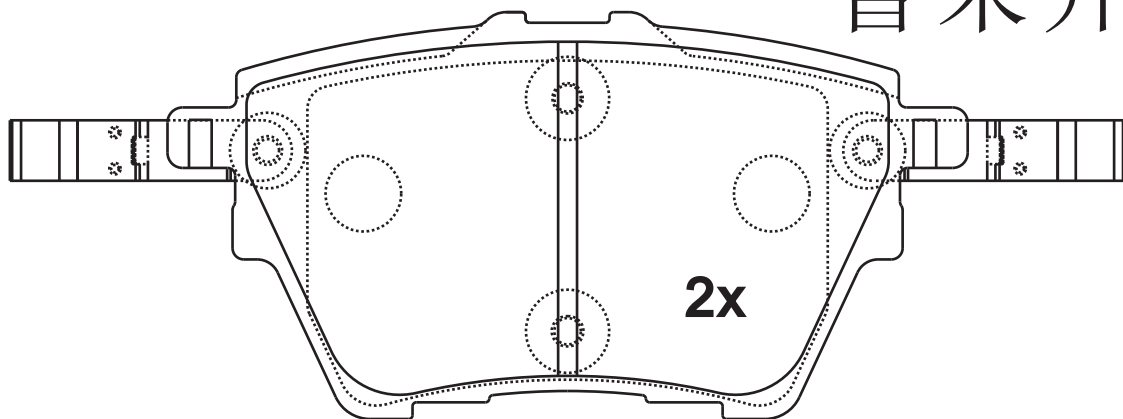
15.5



NOTE

2 identical; 2 identical, 1 with acoustic indicator (left), 1 with acoustic indicator (right).

暂未开模



Apply for:

GAC Trumpchi M8

2020/01-

SR1349.01

Dimension
(mm)

130x58

Thickness
(mm)

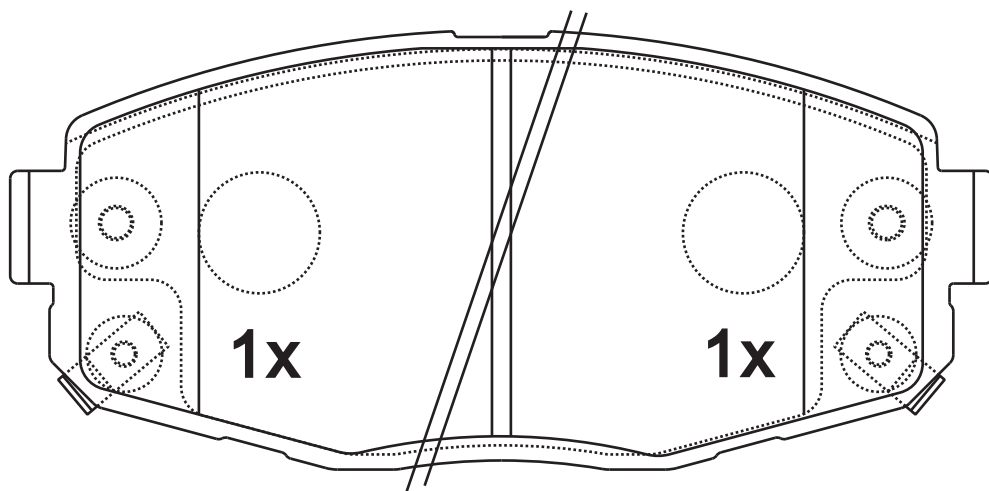
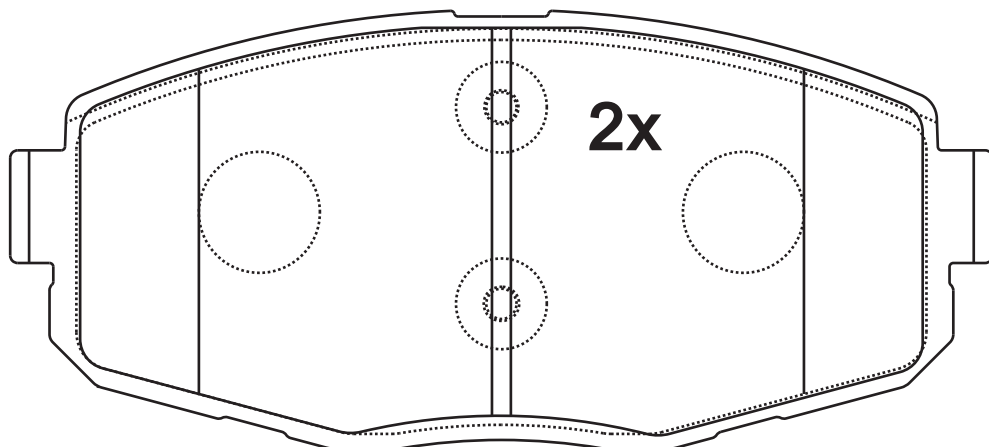
17.5



NOTE

2 identical; 2 identical, 1 with acoustic indicator (left), 1 with acoustic indicator (right).

暂未开模



Apply for:

BYD Qin Pro

2018/03-

SR1350.01

Dimension
(mm)

Thickness
(mm)

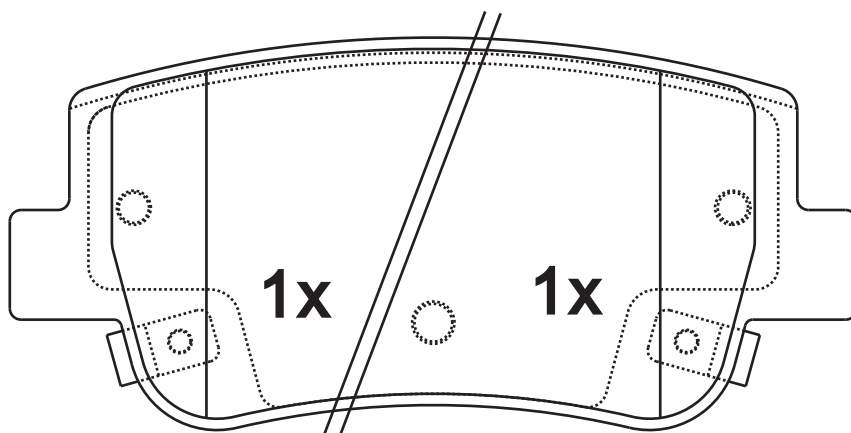
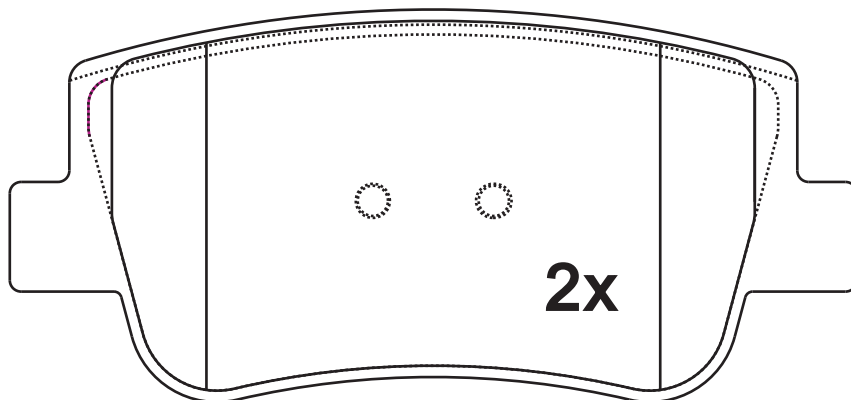


NOTE

2 identical; 2 identical, 1 with acoustic indicator (left), 1 with acoustic indicator (right).

112x51.9

15.5



OE:58302 L1A75

Apply for:

Hyundai Sonata N-Line 2021-

SR1351.01

Dimension
(mm)

115.7x62.7

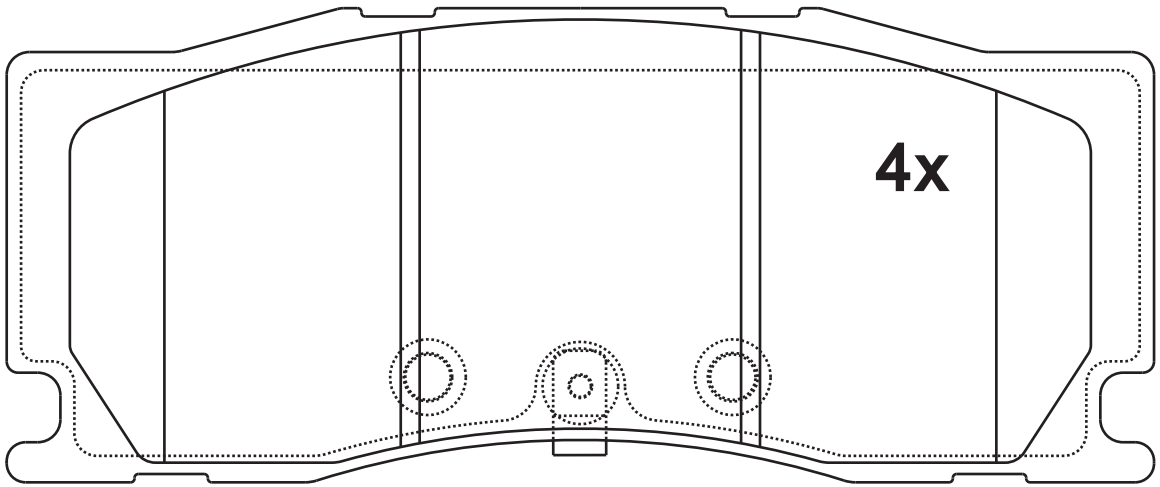
Thickness
(mm)

16



NOTE

4 identical;



OE:S8581AP400

Apply for:

Hyundai Palisade 2022 -

SR1352.01

Dimension
(mm)

192.4*73.4

Thickness
(mm)

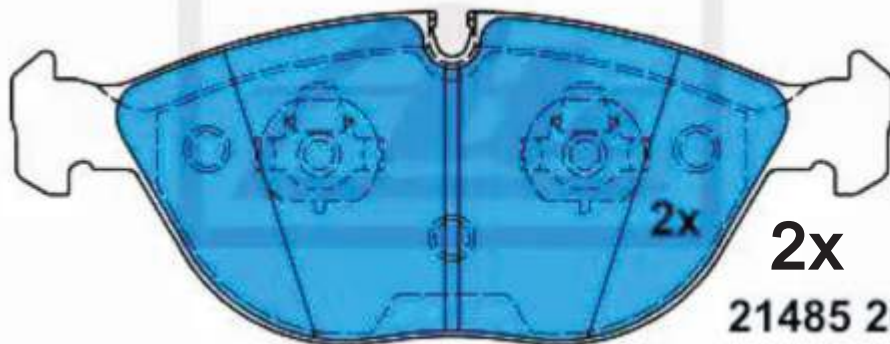
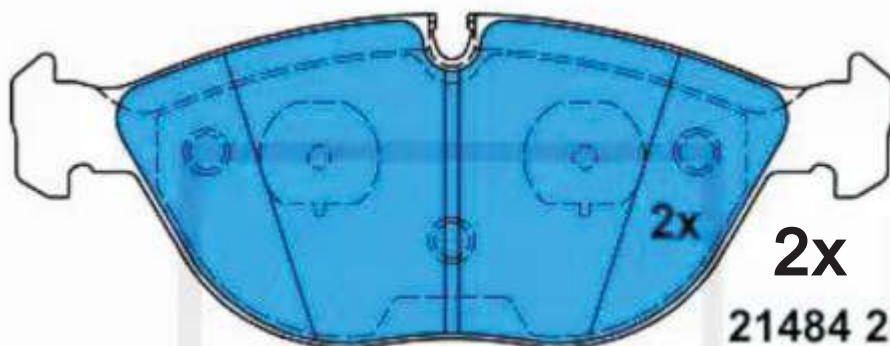
20.5



NOTE

2 identical ;2 identical ;

无磨具



Apply for:

AUDI A4 Avant (8D5, B5) 1994/11-2001/09

BMW 7 (E38) 1994/06-2001/11

CHRYSLER CROSSFIRE 2003/07-2008/12

MERCEDES BENZ C-CLASS (W202) 1993/03-2000/05

ROLLS-ROYCE SILVER SERAPH 1998/03-2002/09

VOLKSWAGEN GOLF IV (1J1) 1997/08-2007/03

版次: A/3

SR1353.01

Dimension
(mm)

106x45.1
106*47

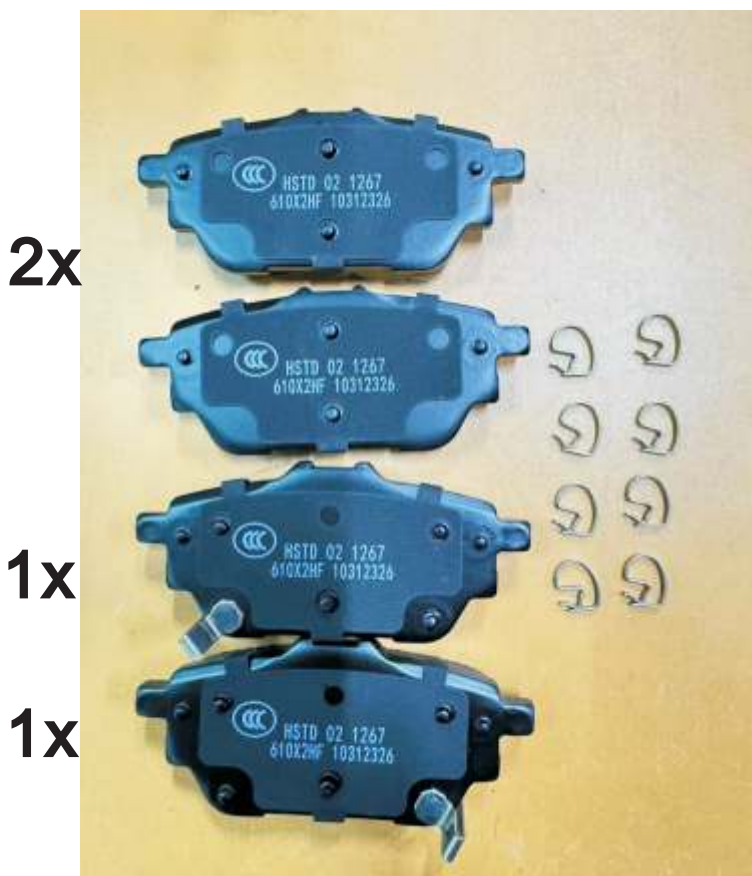
Thickness
(mm)

16



NOTE

2 identical;2 identical,1 with acoustic indicator (left),1 with acoustic indicator(right).



Apply for:
Haval Dargo 2022 -

SR1354.01

Dimension
(mm)

Thickness
(mm)



NOTE

2 identical; 2 identical, 1 with acoustic indicator (left), 1 with acoustic indicator (right).



1x

1x

2x

Apply for:
Geely Monjaro 2023 -

SR1355.01

Dimension
(mm)

154.8x61.7

Thickness
(mm)

17.9



NOTE

2 identical;2 identical,1 with acoustic indicator (left),1 with acoustic indicator(right).



2x

1x

1x

Apply for:
Haval Dargo 2022 -

SR1356.01

Dimension
(mm)

Thickness
(mm)



NOTE

2 identical; 2 identical, 1 with acoustic indicator (left), 1 with acoustic indicator (right).



1x

1x

2x

Apply for:
Jetour X70 PLUS 2018 -

SR1357.01

Dimension
(mm)

Thickness
(mm)



NOTE

2 identical;2 identical,1 with acoustic indicator (left),1 with acoustic indicator(right).



2x

1x

1x

Apply for:

Changan CS55 PLUS 2022 -

SR1358.01

Dimension
(mm)

Thickness
(mm)



NOTE

2 identical;2 identical,1 with acoustic indicator (left),1 with acoustic indicator(right).



1x

1x

2x

Apply for:
JAC J7 2020 -

SR1359.01

Dimension
(mm)

117.1X52.7
117.1X54.2

Thickness
(mm)

16.5



NOTE

2 identical; 2 identical,



2x

2x

Apply for:

Changan UNI-K 2022 -

SR1360.01

Dimension
(mm)

Thickness
(mm)



NOTE

2 identical; 2 identical, 1 with acoustic indicator (left), 1 with acoustic indicator (right).

暂未开模

109.7 x 62 x 15.7



25944 x 2



25945 x 1



25946 x 1

Apply for:

CHEVROLET
CHEVROLET

CAMARO 2.0 Turbo
CORVETTE (C7) 6.2

2016-
2013-

SR1361.01

Dimension
(mm)

Thickness
(mm)



NOTE

2 identical; 2 identical, 1 with acoustic indicator (left), 1 with acoustic indicator (right).



2x1x1x

Apply for:
JAC JS6 2022 -

SR1362.01

Dimension
(mm)

Thickness
(mm)

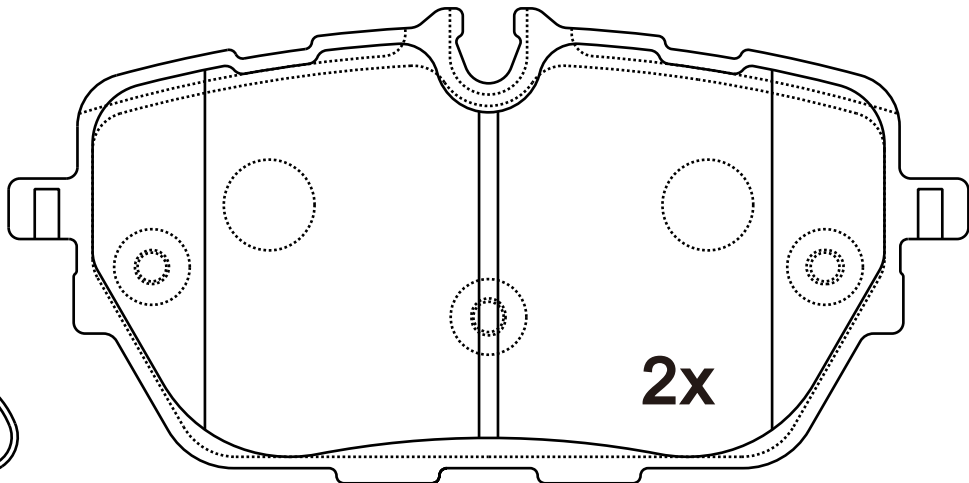
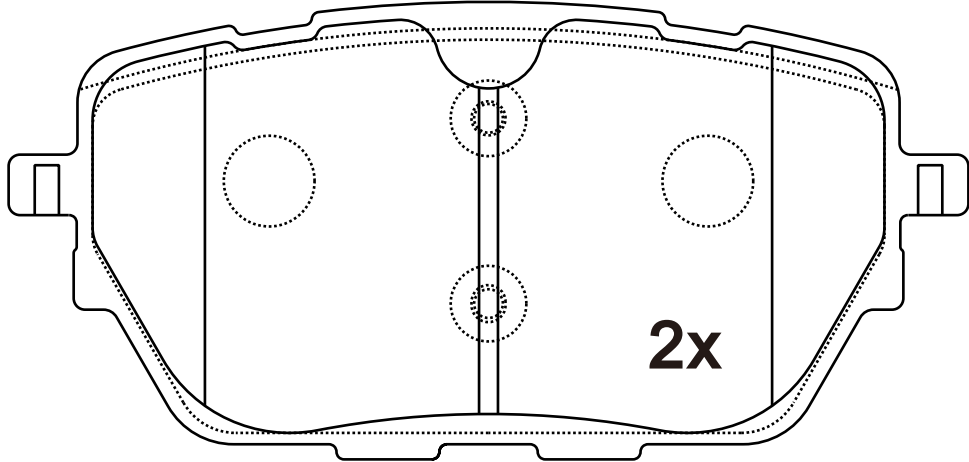


NOTE

2 identical;2 identical,

126.9X62.8
126.9X60.6



15.6



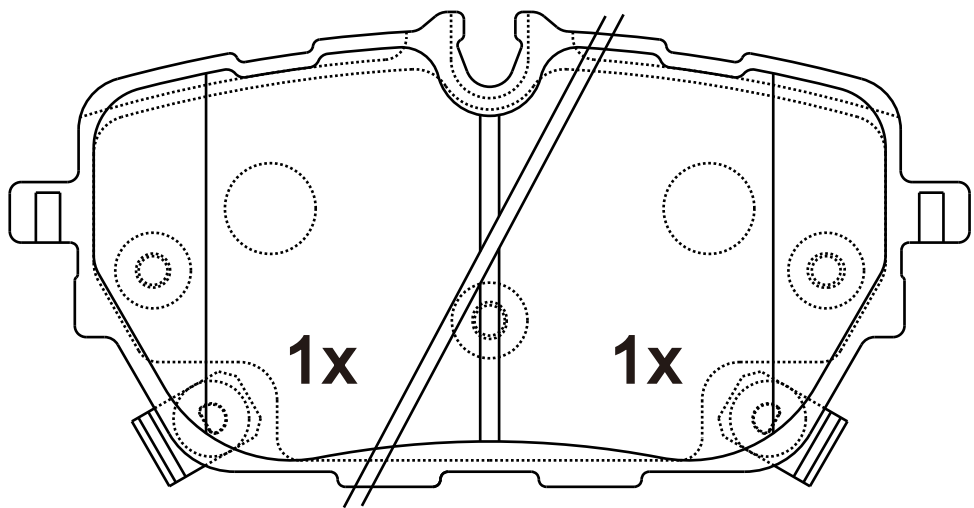
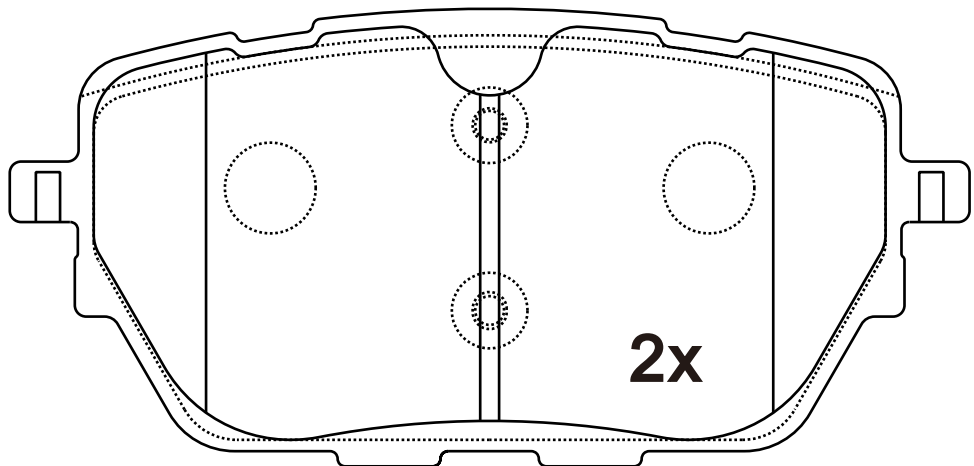
8x

Apply for:
Li L9 2022 -

SR1362.02

Dimension (mm)	Thickness (mm)	
126.9X 62.8/60.6	17.6	

NOTE
2 identical;2 identical,1 with acoustic indicator (left),1 with acoustic indicator(right).



Apply for:
LIXIANG L9 2022/01-

SR1363.01

Dimension
(mm)

131.4X57.8
131.4X62.2

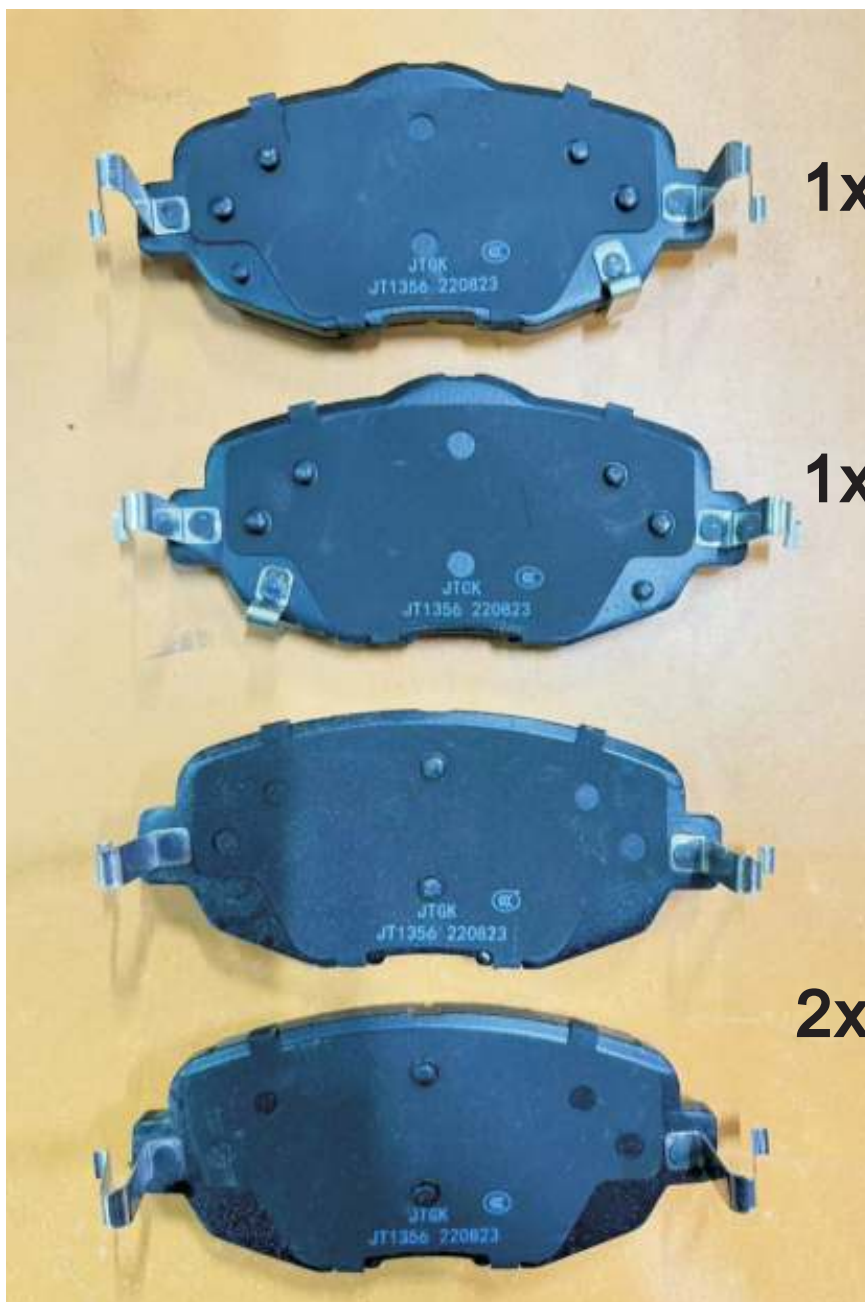
Thickness
(mm)

14.7



NOTE

2 identical; 2 identical, 1 with acoustic indicator (left), 1 with acoustic indicator (right).



Apply for:
Changan UNI-V 2022-

SR1364.01

Dimension
(mm)

165.1x59.7

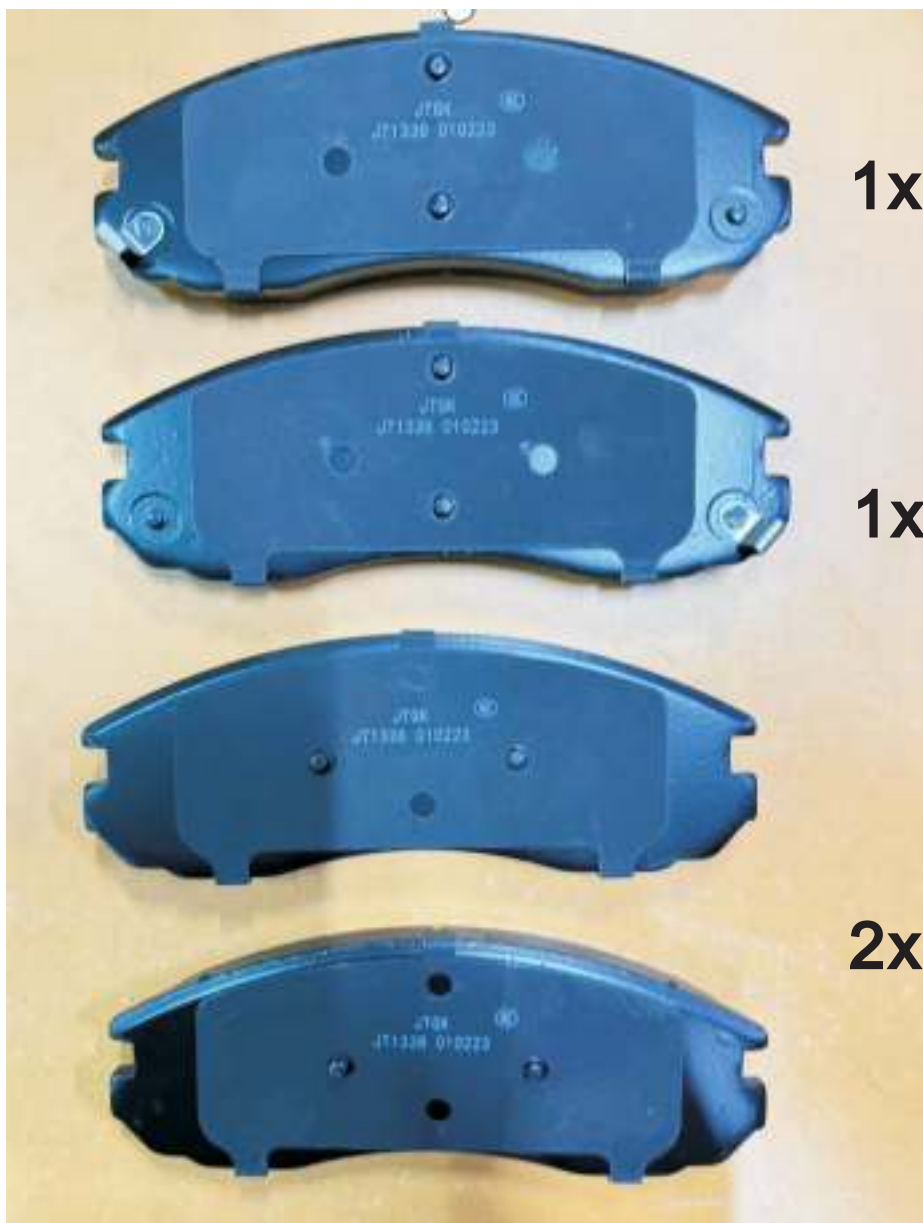
Thickness
(mm)

17



NOTE

2 identical; 2 identical, 1 with acoustic indicator (left), 1 with acoustic indicator (right).



Apply for:

Jetour X70 PLUS 2018 -

SR1365.01

Dimension
(mm)

Thickness
(mm)

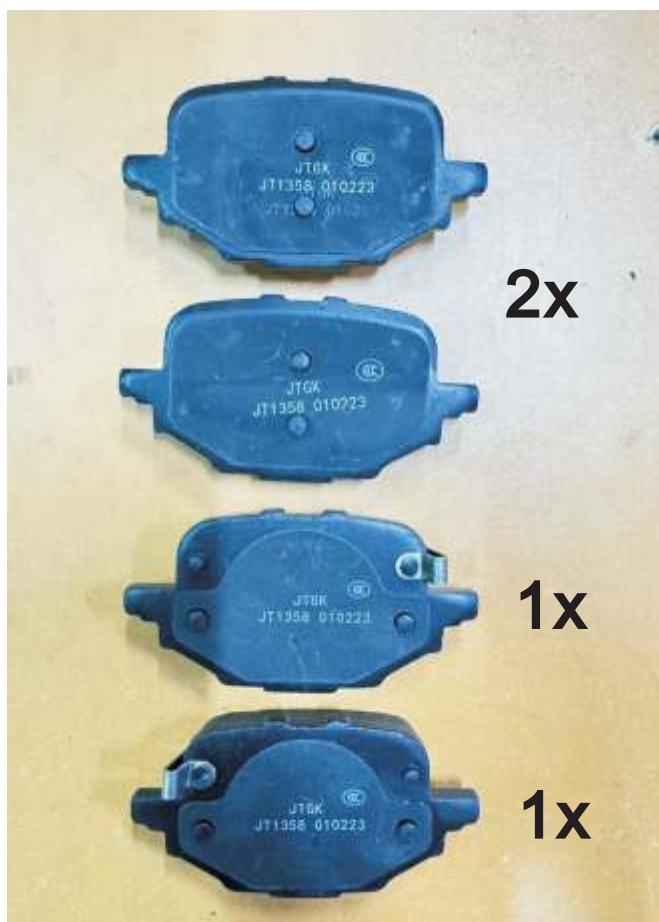


NOTE

2 identical; 2 identical, 1 with acoustic indicator (left), 1 with acoustic indicator (right).

92.1x48.2

16.5



Apply for:
Changan UNI-V 2022 -

SR1366.01

Dimension
(mm)

Thickness
(mm)



NOTE

2 identical; 2 identical, 1 with acoustic indicator (left), 1 with acoustic indicator (right).

109.8x69.2

18



Apply for:

ALFA ROMEO 147 (937_)
ALFA ROMEO SPIDER (916_)
FIAT COUPE (175_)

2000/10-2010/12
1994/09-2005/04
1993/11-2000/08

SR1366.02Dimension
(mm)Thickness
(mm)**NOTE****4 identical;**

109.8x69.2

15

109.8 x 69.3 x 15.0



21381 x 4

Apply for:

CITROEN DS3 (SA_) 1.2 THP 110	2014-2015
DS DS 3 (SA_) 1.2 THP 130	2015-2019
JAGUAR S-TYPE II (X200) 2.5 V6	2002-2007
PEUGEOT 208 I (CA_, CC_) 1.6 Flex	2017-2020
VOLVO S60 I (384) R 2,5 T AWD	2003-2010

SR1367.01

Dimension
(mm)

Thickness
(mm)



NOTE

4 identical;

127.5x51.9

15.8

127.5 x 51.9 x 15.0



21386 x 4

Apply for:

NISSAN 100 NX (B13)

1990/03-1996/01

NISSAN SUNNY III Hatchback (N14)

1990/08-1995/07

NISSAN SUNNY III Liftback (N14)

1990/10-1995/10

SR1367.02

Dimension
(mm)

Thickness
(mm)



NOTE

2 identical; 2 identical, 1 with acoustic indicator (left), 1 with acoustic indicator (right).

127.5 x 51.9 x 15.0



21386 x 2



23826 x 1



23827 x 1

Apply for:

NISSAN 100 NX (B13)

1990/03-1996/01

NISSAN SUNNY III Hatchback (N14)

1990/08-1995/07

NISSAN SUNNY III Liftback (N14)

1990/10-1995/10

SR1368.01

Dimension
(mm)

Thickness
(mm)

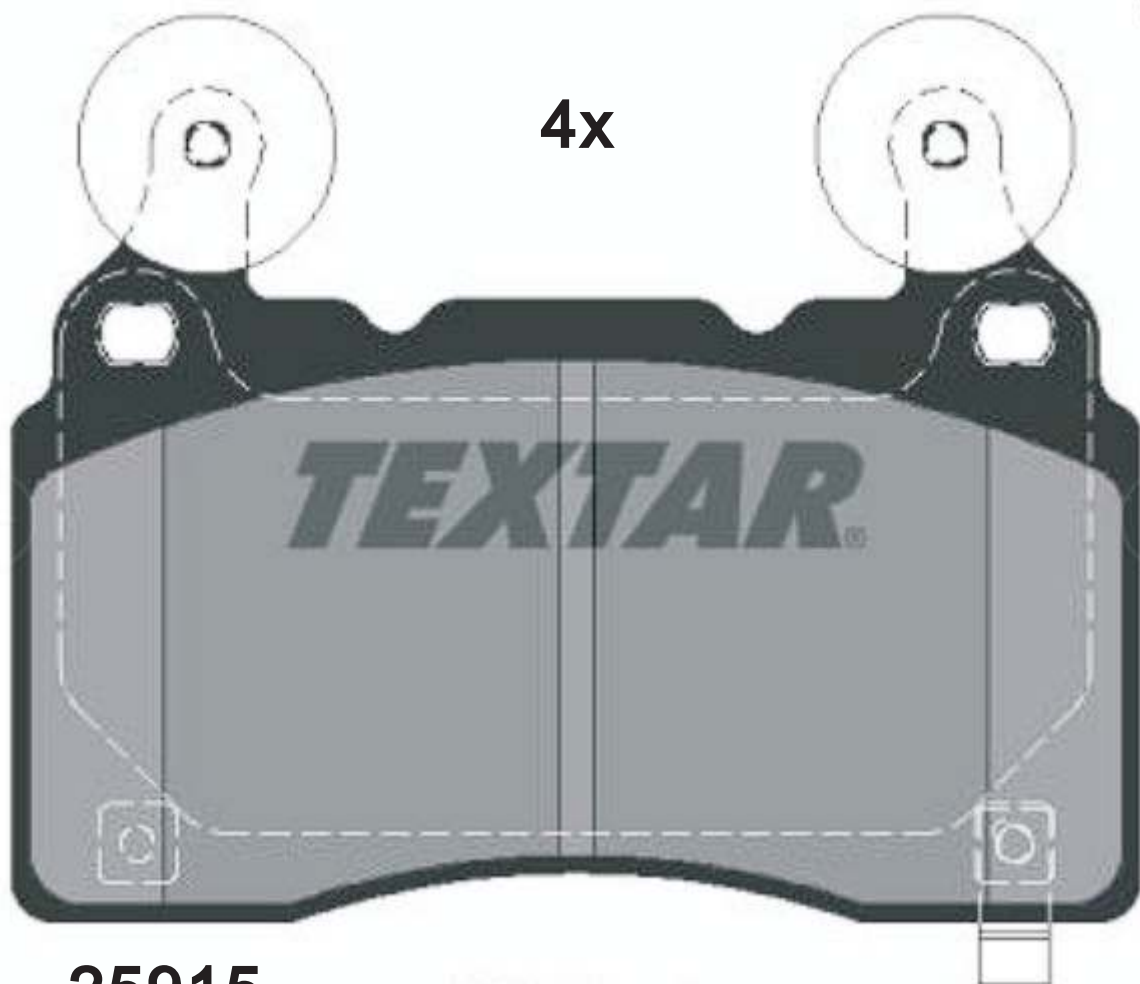


NOTE

4 identical;

131.8x97.1

15.8



25915

Apply for:

CHEVROLET CAMARO

2009/02-2015/12

CHEVROLET CAMARO Convertible



2011/01-

OPEL INSIGNIA B Country Tourer (Z18)

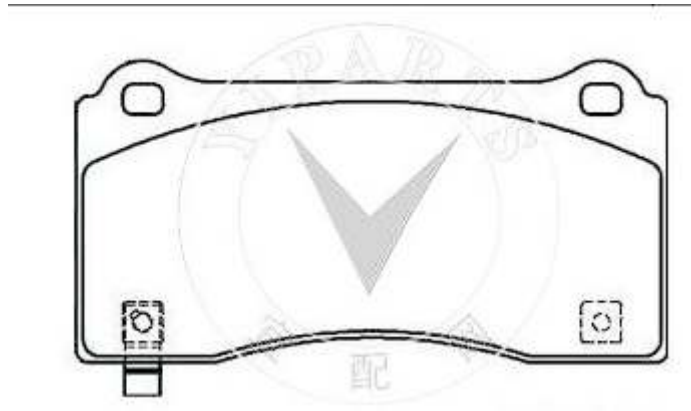
2017/06-

VAUXHALL INSIGNIA Mk II (B) Country Tourer (Z18)

2017/03-

SR1369.01	Dimension (mm)	Thickness (mm)		NOTE 4 identical;
	132x67	15.1		

4x



26275

Apply for:
TESLA MODEL 3

2017/08-

SR1370.01

Dimension
(mm)

131.8x84.5

Thickness
(mm)

16



NOTE

4 identical;

4x



26152

Apply for:

TESLA MODEL 3
TESLA MODEL Y (5YJY)

2017/08-
2019/03-

SR1371.01

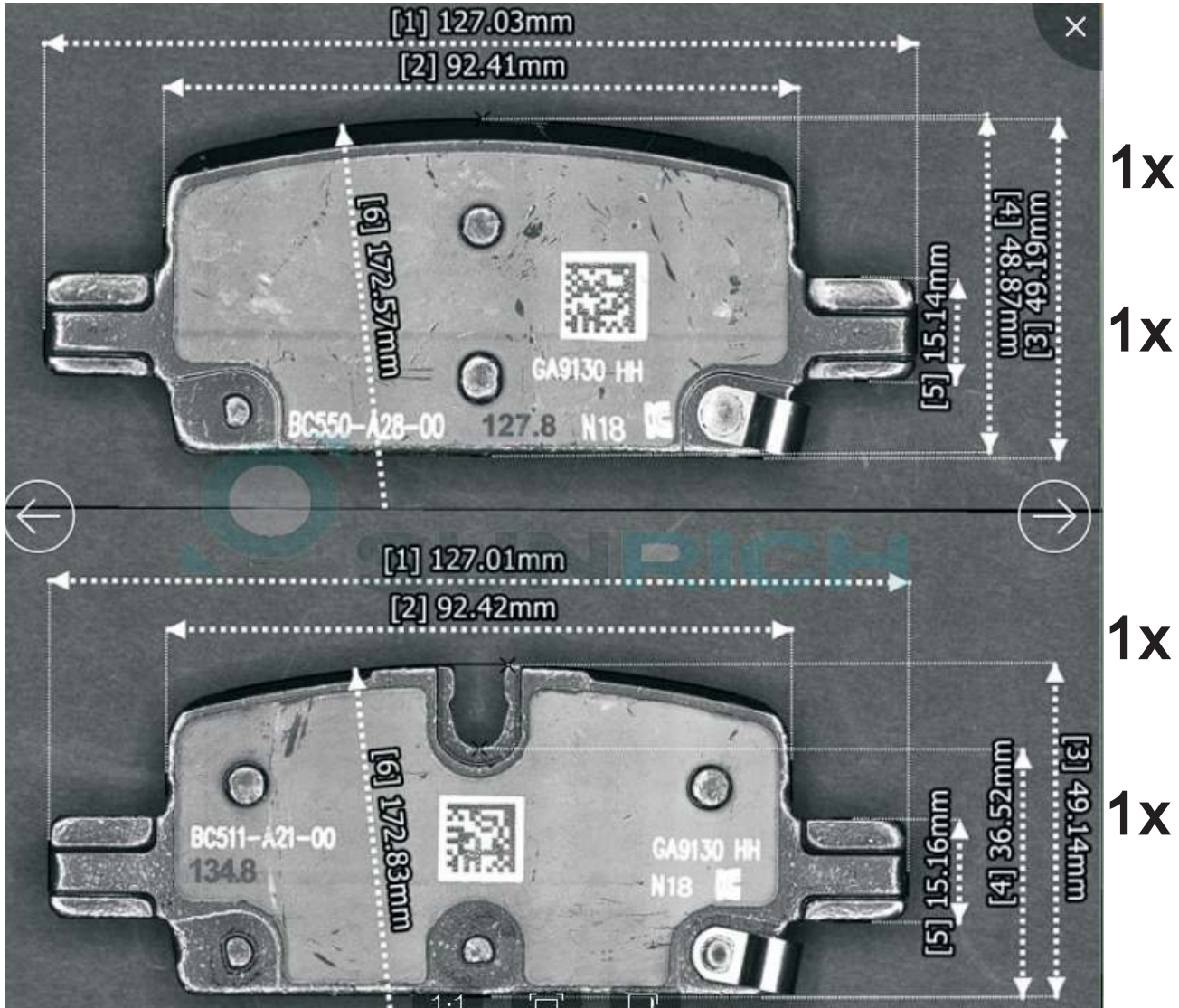
Dimension
(mm)

Thickness
(mm)



NOTE

2 identical, 2 identical
2 with acoustic indicator
(left), 2 with acoustic
indicator (right).



D2174-9419

Apply for:

SR1372.01

Dimension
(mm)

138.8x74.9

Thickness
(mm)

18



NOTE

2 identical ; 2 identical ;



2x

2x

D2173-9418

Apply for:

CHEVROLET CHEYENNE Standard Cab Pickup

2013/09-

GMC SIERRA 1500 Crew Cab Pickup

2013/09-

GMC SIERRA Crew Cab Pickup

2013/09-

SR1373.01

Dimension
(mm)

182.2x107

Thickness
(mm)

17



NOTE

2 identical; 2 identical, 1 with acoustic indicator (left), 1 with acoustic indicator (right).



2x

1x

1x

Apply for:
ZEEKR 001

SR1374.01

Dimension
(mm)

Thickness
(mm)



NOTE

2 identical ;2 identical ;

154.2x57.6
154.2x60.2

16.5



2x

2x

Apply for:
Lotus ELETRE

SR1375.01

Dimension
(mm)

Thickness
(mm)



NOTE

4 identical;

107.3x44.8

14.8

107.4 x 44.5 x 14.5



20895 x 4

Apply for:

HONDA ACCORD I (SJ, SY)

HONDA CRX I (AF, AS) 1.3 (AF1)

1976/05-1983/09

1983-1987

SR1376.01

Dimension
(mm)

Thickness
(mm)

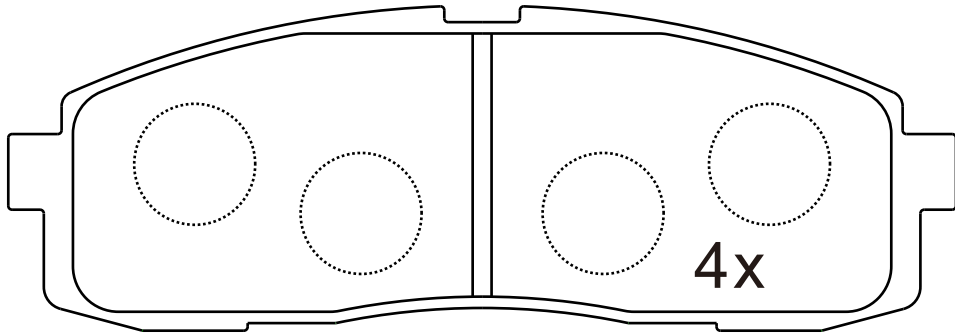


NOTE

4 identical;

125.3x43

15.8



Apply for:

SR1377.01

Dimension
(mm)

Thickness
(mm)

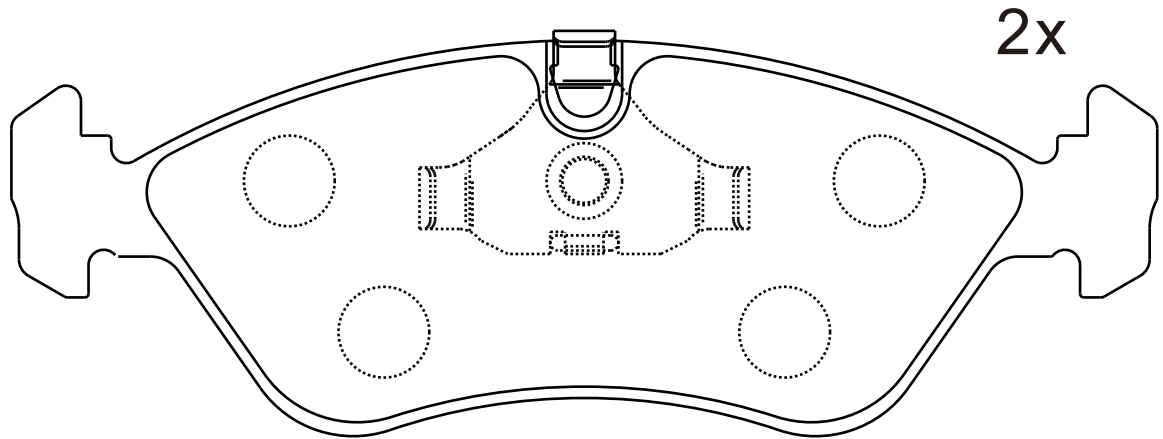
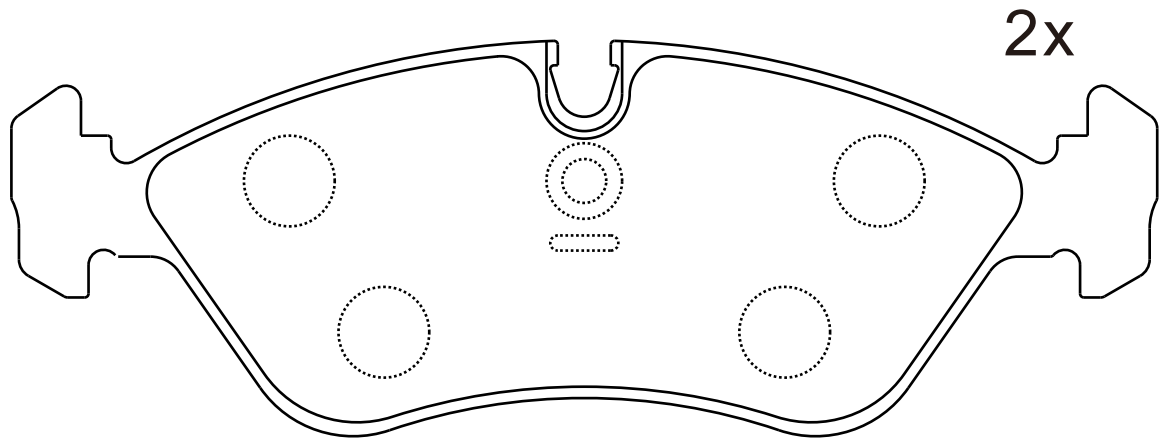


NOTE

2 identical ;2 identical ;

151.5x52.3

17.8



Apply for:

SR1378.01

Dimension
(mm)

151.4x51.5

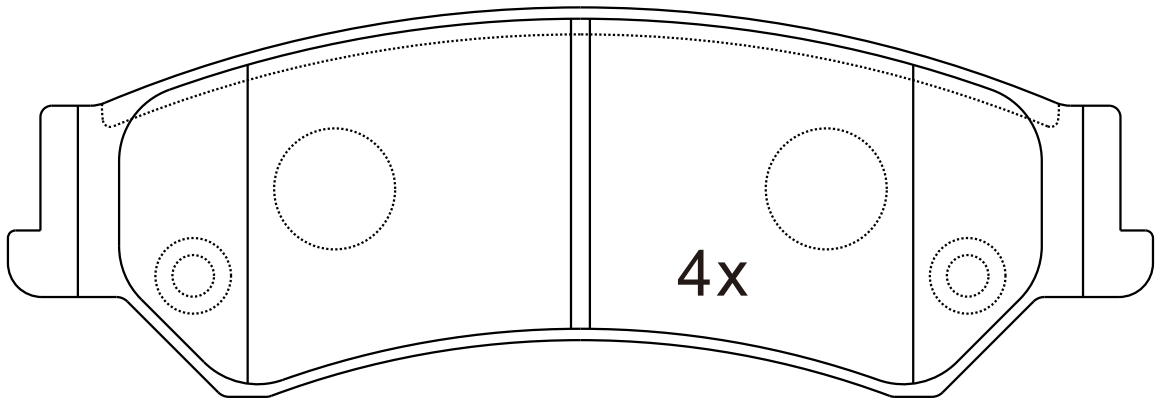
Thickness
(mm)

15.8



NOTE

4 identical;



Apply for:

SR1379.01

Dimension
(mm)

141x48

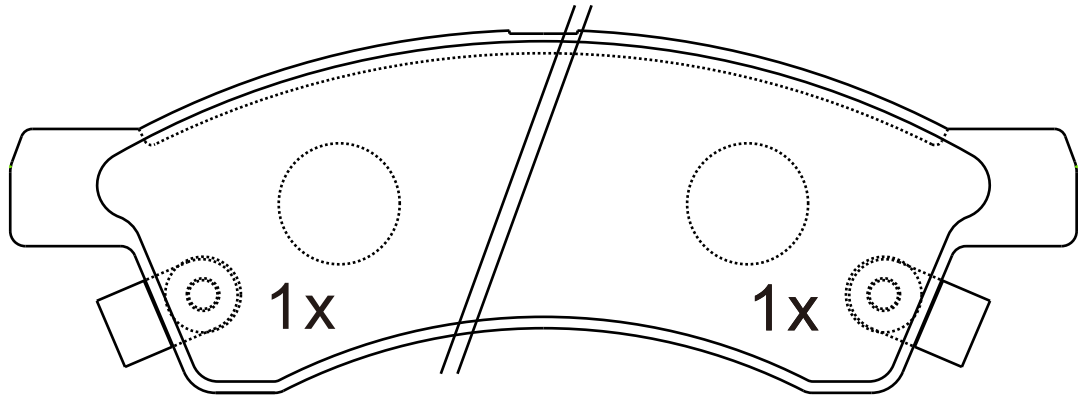
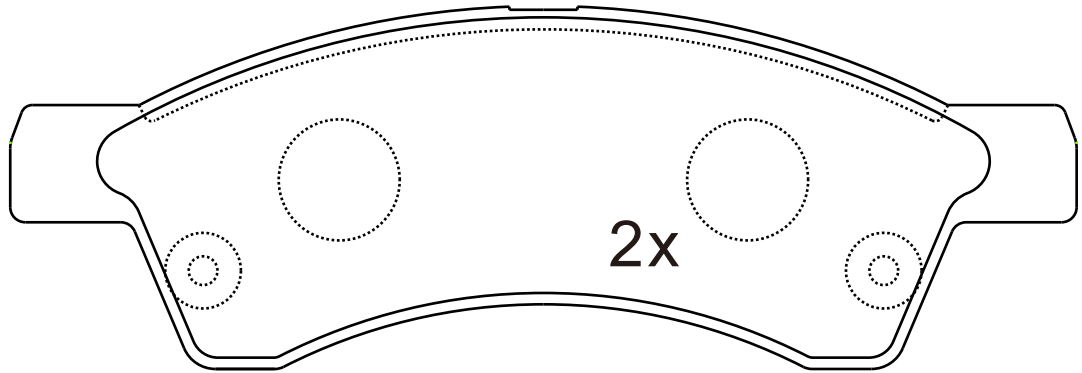
Thickness
(mm)

16.8



NOTE

2 identical; 2 identical, 1 with acoustic indicator (left), 1 with acoustic indicator (right).



Apply for:

SR1380.01

Dimension
(mm)

131.6x53.2

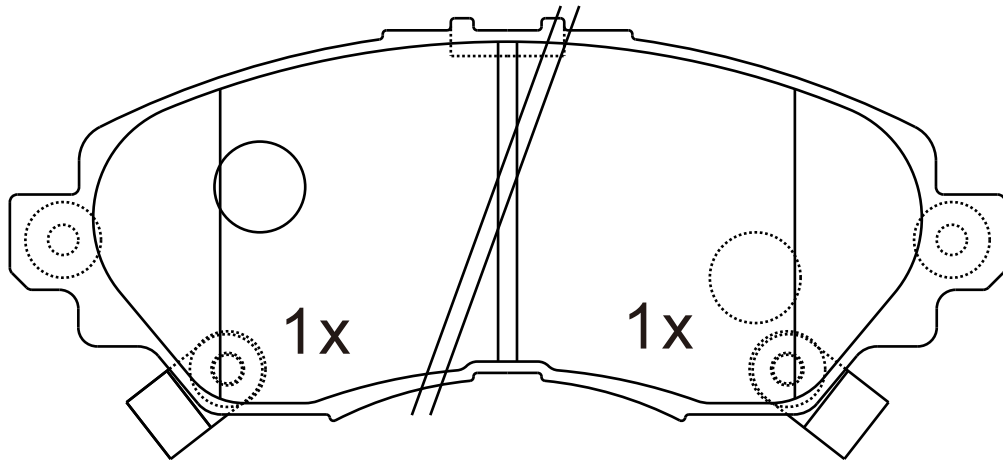
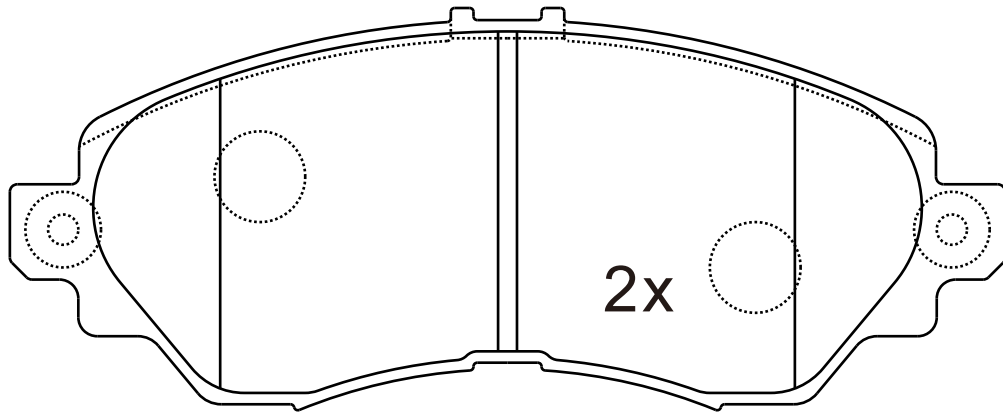
Thickness
(mm)

15.3



NOTE

2 identical; 2 identical, 1 with acoustic indicator (left), 1 with acoustic indicator (right).



Apply for:

SR1381.01

Dimension
(mm)

Thickness
(mm)

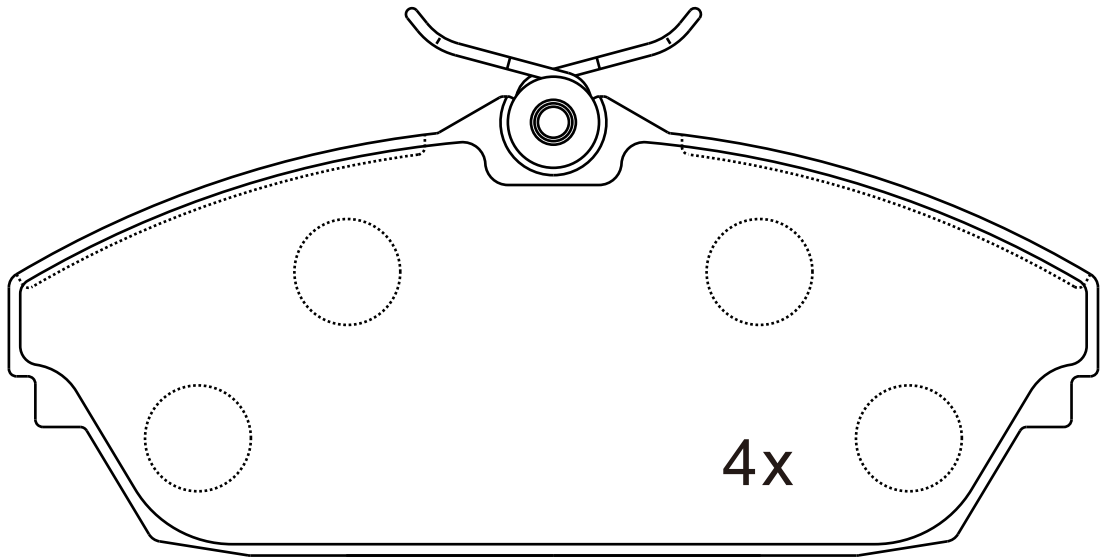


NOTE

4 identical;

144x60.7

18



Apply for:

SR1382.01

Dimension
(mm)

144x63

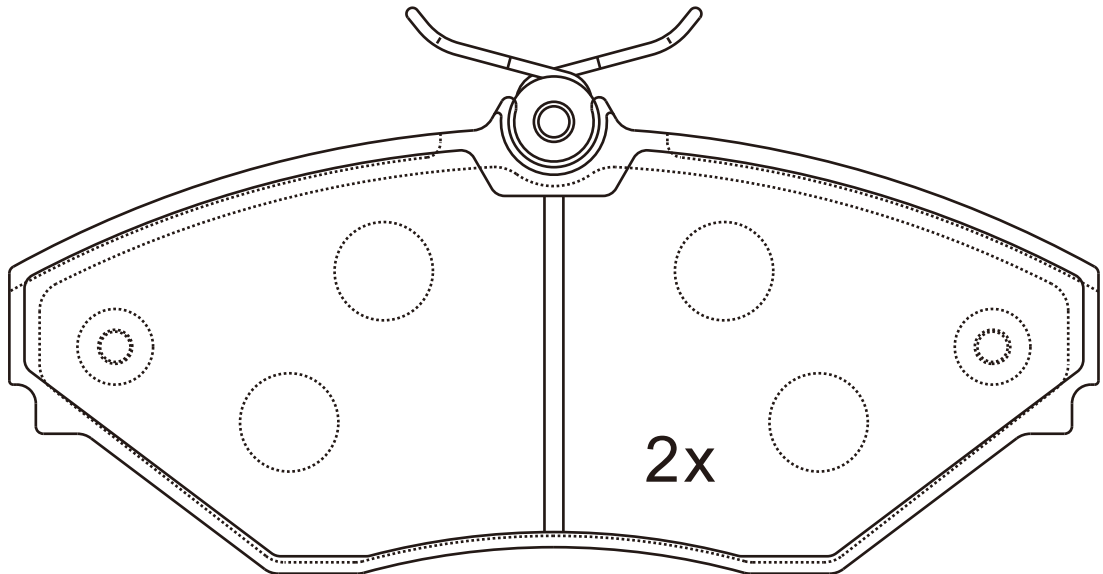
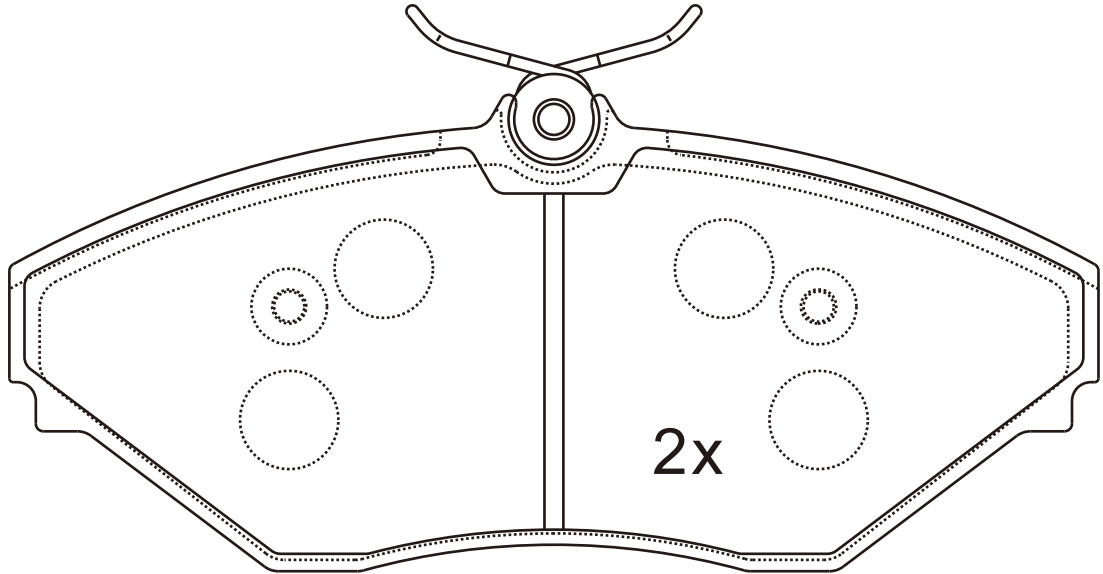
Thickness
(mm)

18.1



NOTE

2 identical ;2 identical ;



Apply for:

SR1383.01

Dimension
(mm)

147x54

Thickness
(mm)

14.2



NOTE

2 identical;2 identical,1 with acoustic indicator (left),1 with acoustic indicator(right).



1x

1x

2x

Apply for:
BYD Qin PLUS DM-I 1.5L

SR1384.01

Dimension
(mm)

113.7x47.6

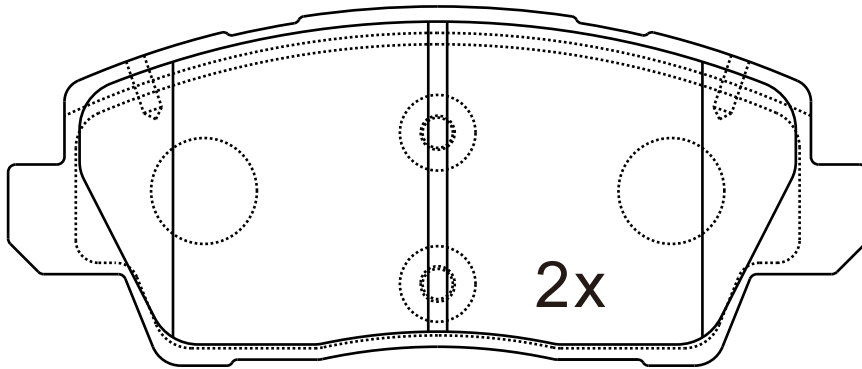
Thickness
(mm)

16.5

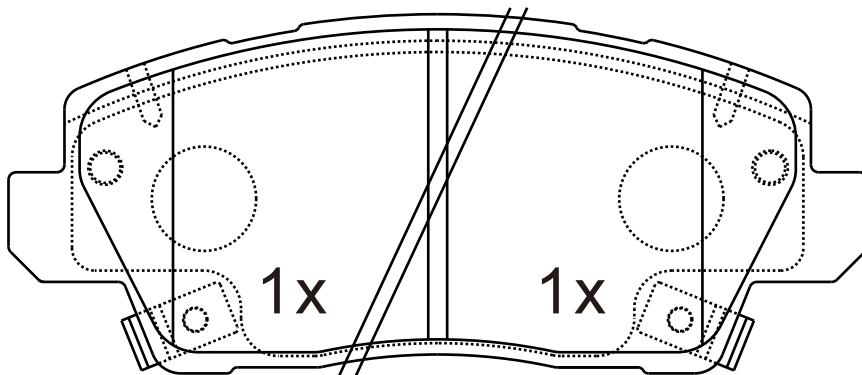


NOTE

2 identical; 2 identical, 1 with acoustic indicator (left), 1 with acoustic indicator (right).



26280



26282

26281

Apply for:

KIA PICANTO (JA) 2017/03-

SR1385.01

Dimension
(mm)

152x58.5

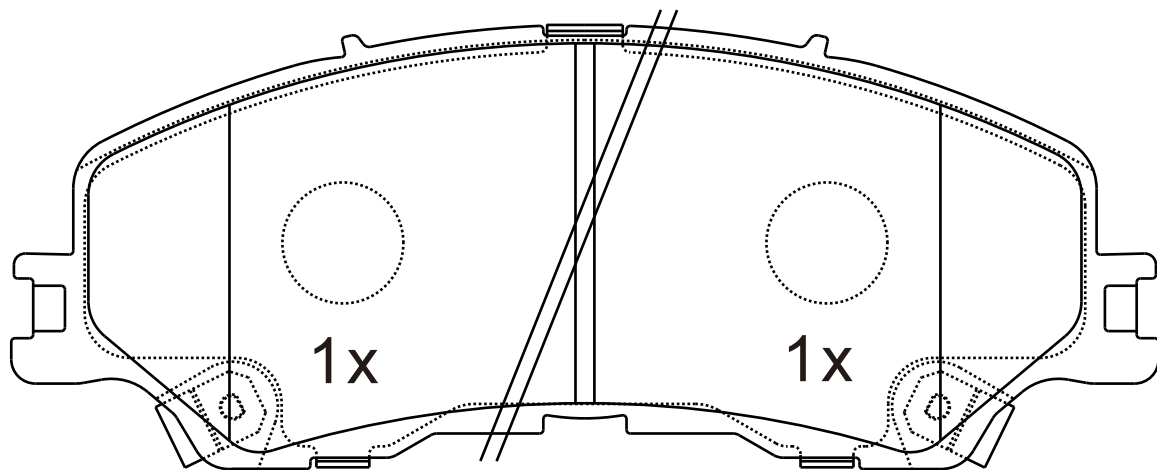
Thickness
(mm)

17



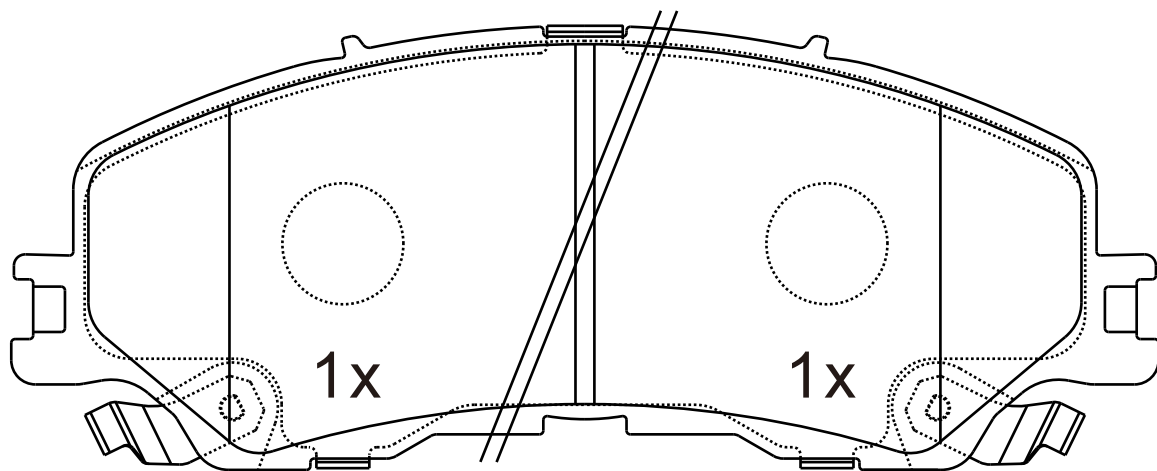
NOTE

2 identical, 2 identical
2 with acoustic indicator
(left), 2 with acoustic
indicator (right).



26709

26708



26811

26812

Apply for:
ISURU

SR1386.01

Dimension
(mm)

Thickness
(mm)

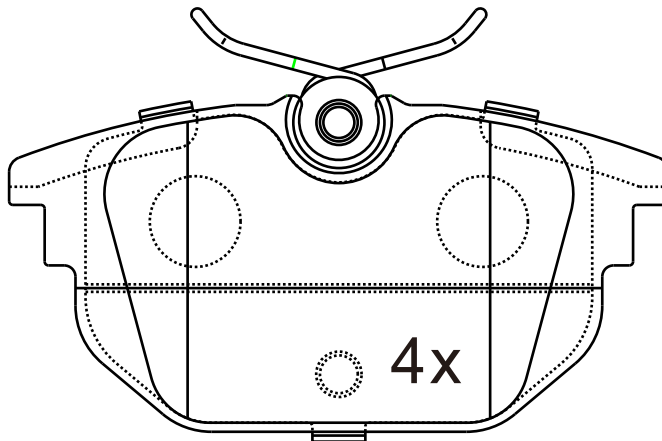


NOTE

4 identical;

87.2x44.5

14.7



23177

Apply for:

ALFA ROMEO 145 (930)

1994/07-2001/01

ALFA ROMEO GTV (916_)

1994/09-2005/10

LANCIA DEDRA (835)

1989/01-1999/07

SR1387.01

Dimension
(mm)

Thickness
(mm)

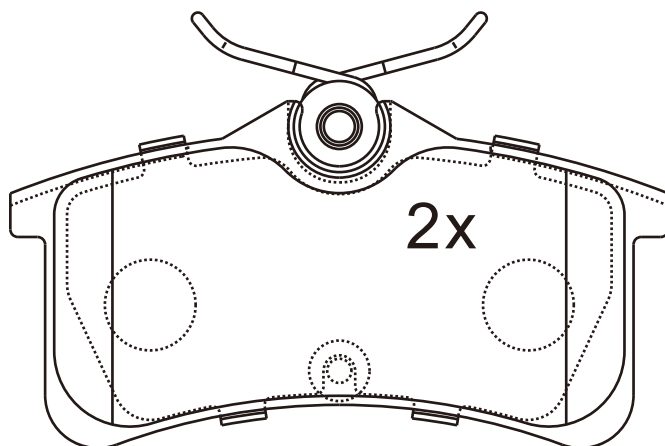


NOTE

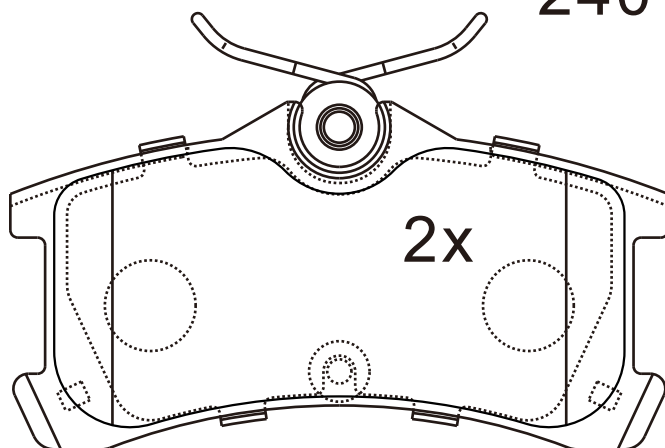
2 identical;2 identical;

87x45.9

15.1



24013



24020



2x

Apply for:

TOYOTA AVENISIS (_T22_)

1997/09-2003/02

TOYOTA COROLLA (_E11_)

1997/04-2002/06

SR1388.01

Dimension
(mm)

Thickness
(mm)

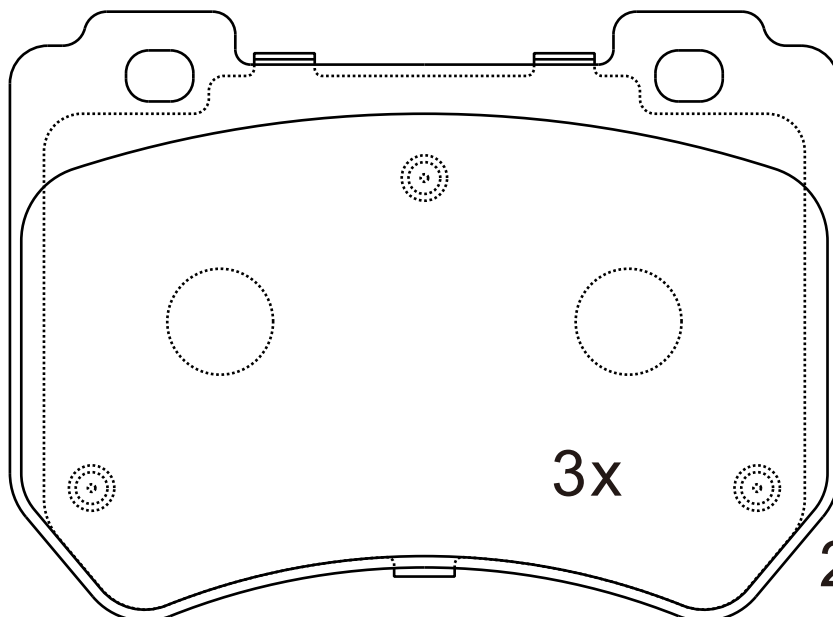


NOTE

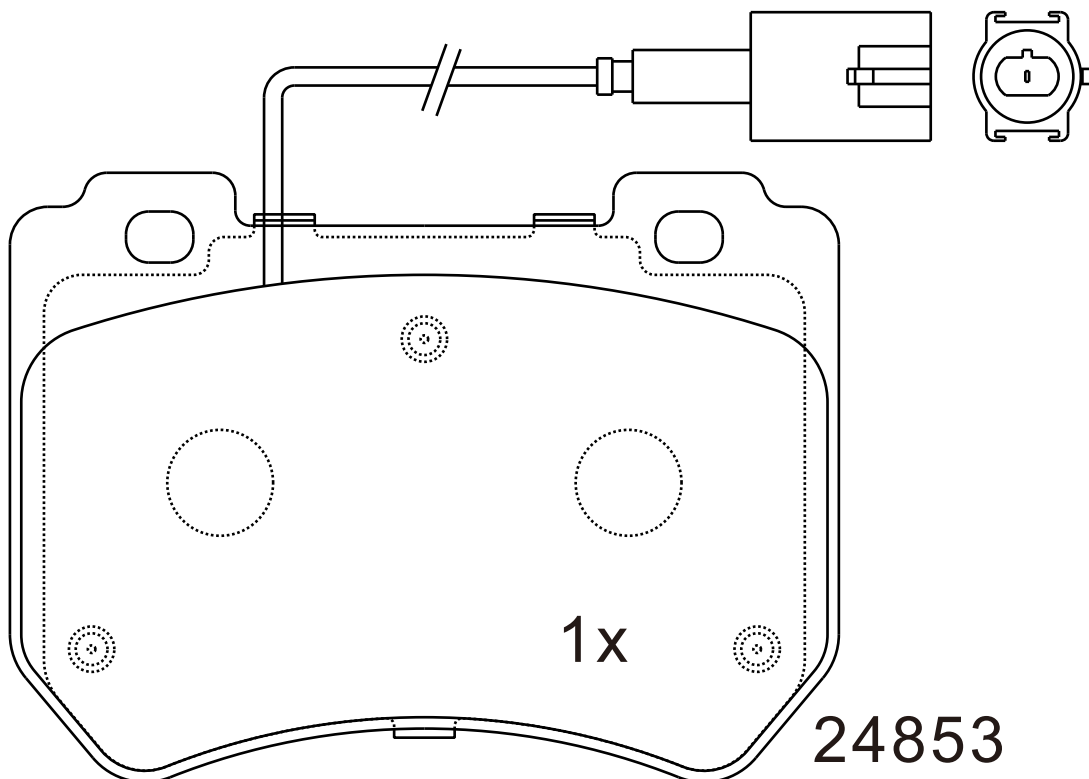
**4 identical, 1 with warn
indicator: 165mm.**

109.6x80.6

15.6



24852



24853

Apply for:

ALFA ROMEO 159 (939_)

2005/06-2012/12

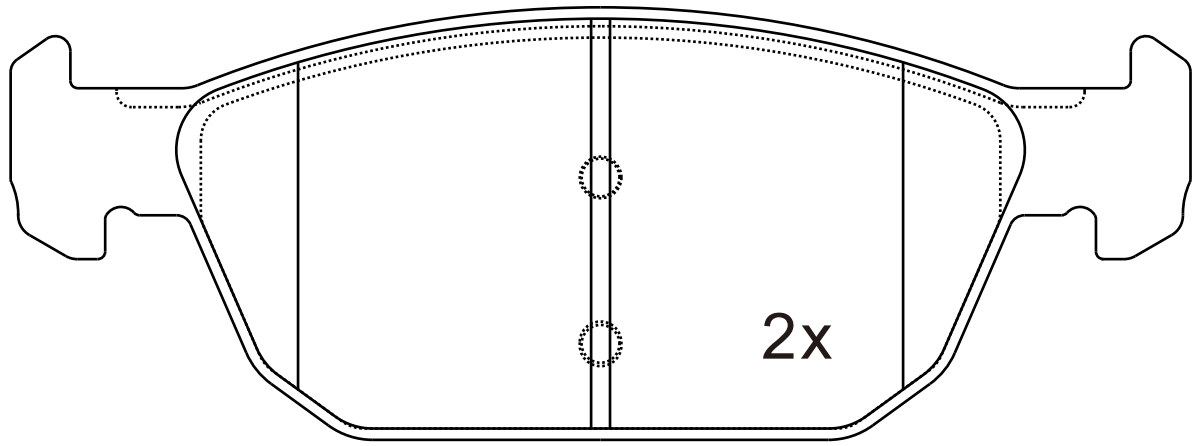
ALFA ROMEO BRERA (939_)

2006/01-2010/06

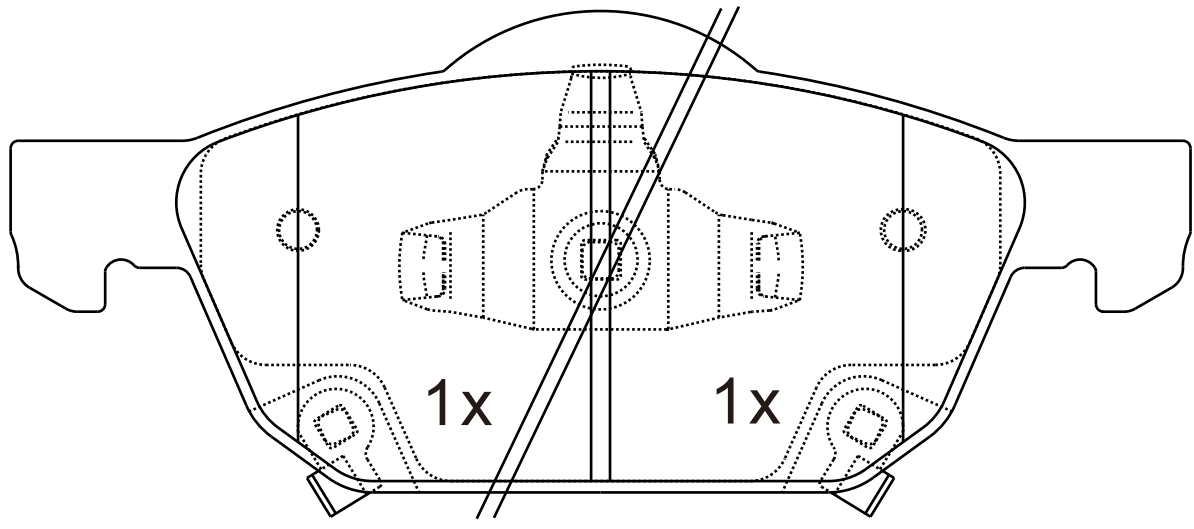
SR1389.01

Dimension (mm)	Thickness (mm)	
156x57.2/63.7	16.8	

NOTE
2 identical; 2 identical, 1 with acoustic indicator (left), 1 with acoustic indicator (right).



25804



25806

25805

Apply for:

- HONDA CIVIC IX (FK) 1.4 i-VTEC (FK1) 2012-2016
- HONDA CIVIC X Saloon (FC_) 1.0 iVTEC (FC9) 2018-2022

SR1390.01

Dimension
(mm)

Thickness
(mm)

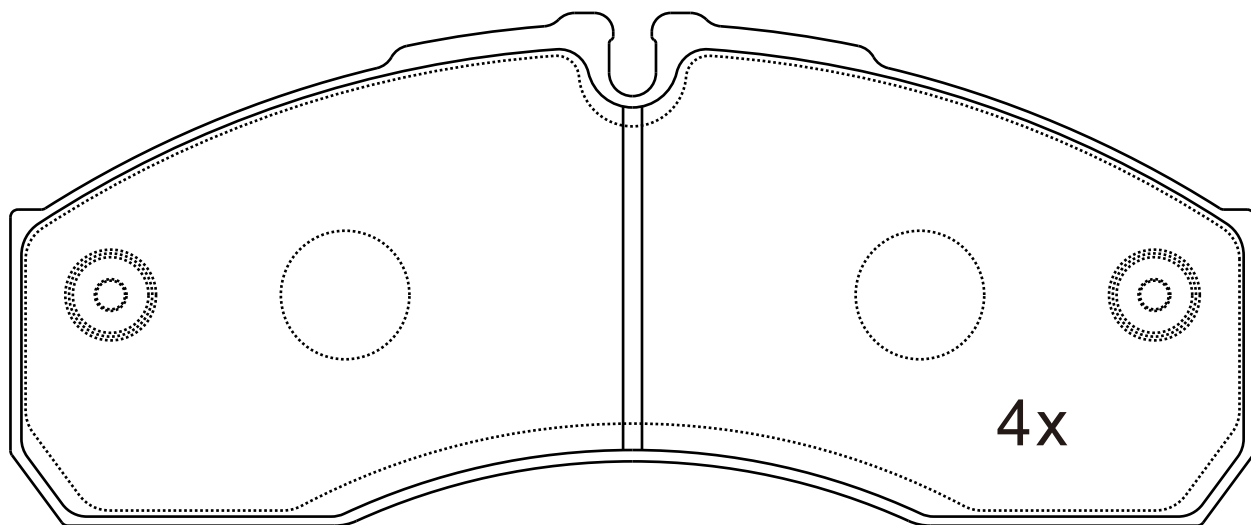


NOTE

4 identical;

164.5x67.8

19.8



29160

Apply for:

NISSAN ATLEON 35.13

RENAULT TRUCKS MASCOTT Van 130.55

VECO DAILY III Platform/Chassis 65 C 13

2006-

1999-2004

1999-2006

SR1391.01

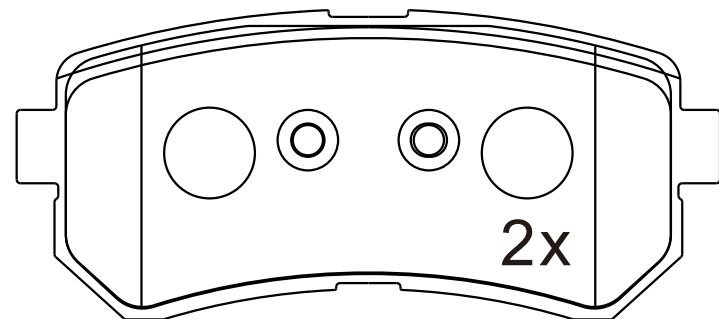
Dimension
(mm)

Thickness
(mm)

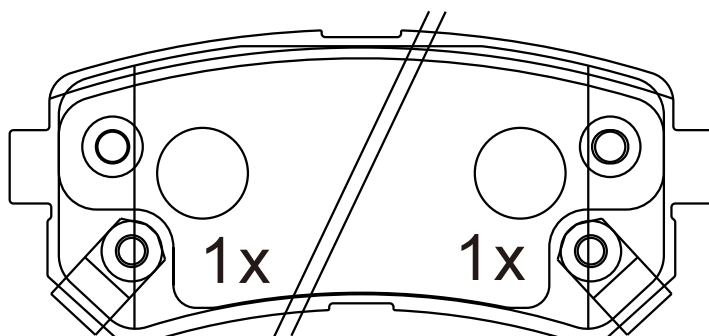


NOTE

2 identical;2 identical,1 with acoustic indicator (left),1 with acoustic indicator(right).



24949



24951

24950

Apply for:

HYUNDAI i20 I (PB, PBT) 1.1 CRDi

2012-2015

HYUNDAI i20 I (PB, PBT) 1.6

2008-2014

HYUNDAI i20 I (PB, PBT) 1.4

2008-2015

SR1392.01

Dimension
(mm)

Thickness
(mm)

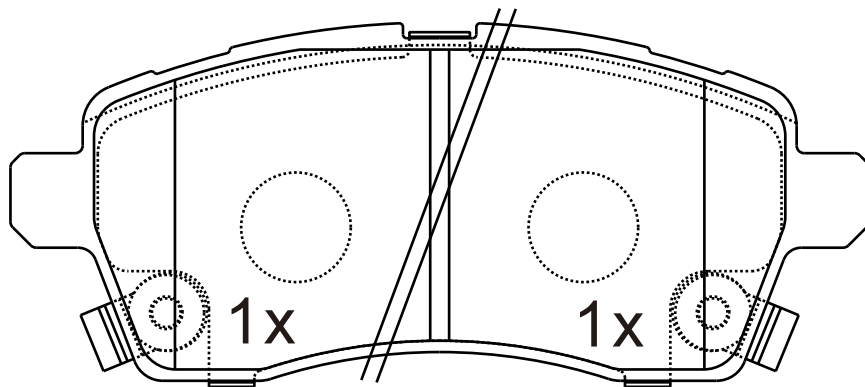
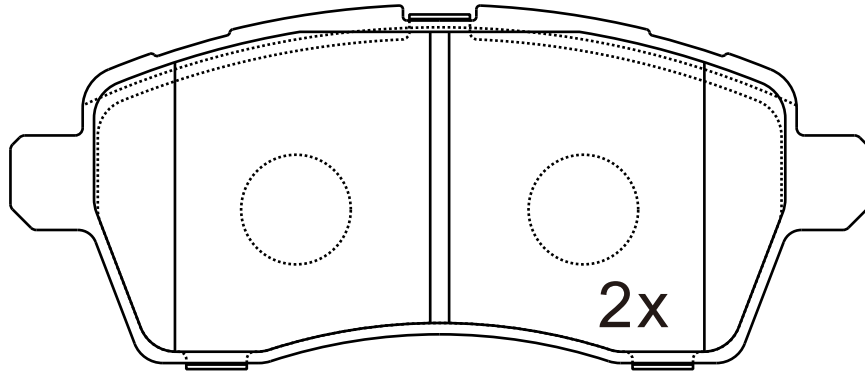


NOTE

2 identical; 2 identical, 1 with acoustic indicator (left), 1 with acoustic indicator (right).

113.5x47.3

15.8



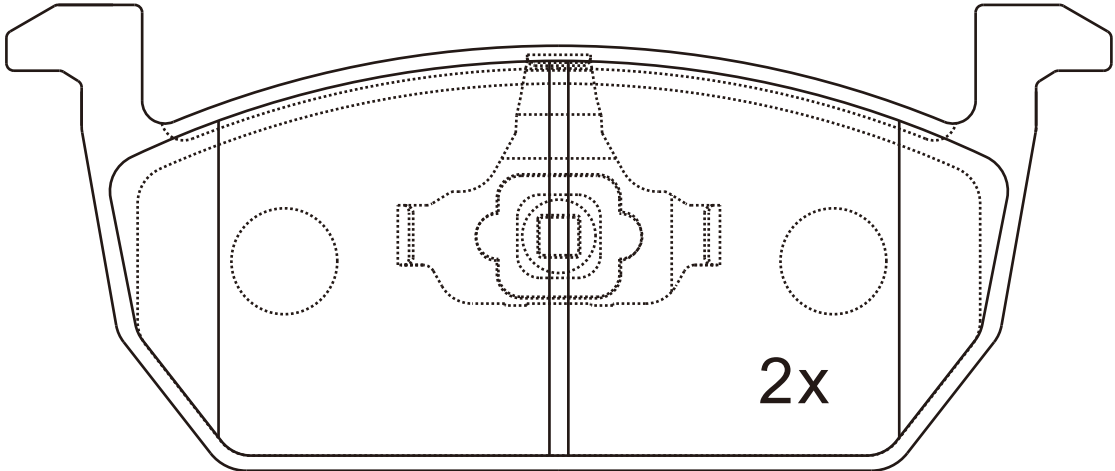
D4249

Apply for:
SUZUKIIGNIS

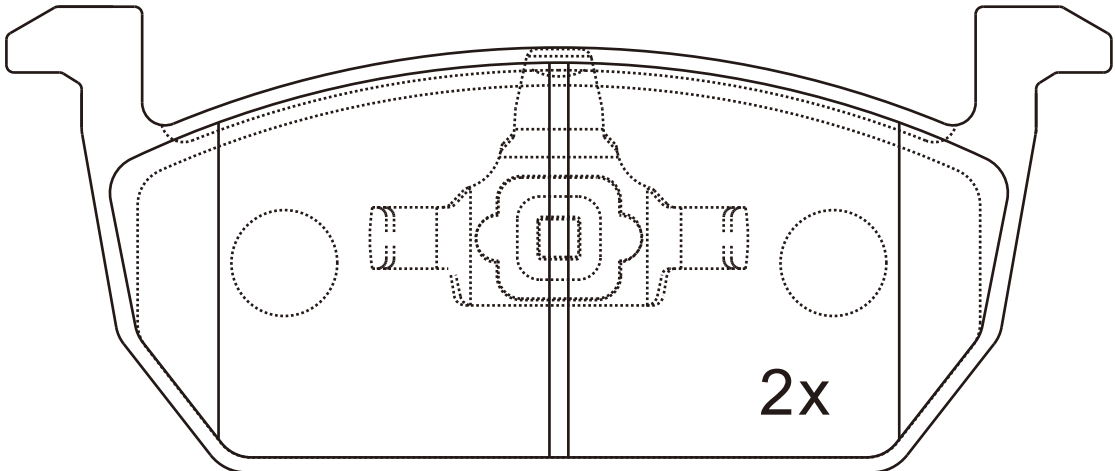
SR1393.01

Dimension (mm)	Thickness (mm)	
146.1X61.6	17.7	

NOTE
2 identical;2 identical,



22631



22632

Apply for:

- AUDI A1 Allstreet (GBH) 25 TFSI
- SEAT ARONA (KJ7, KJP) 1.0 TGi
- SKODA FABIA IV (PJ3) 1.0 MPI
- VW POLO VI (AW1, BZ1, AE1) 1.0

- 2022-
- 2018-
- 2021-
- 2017-2020

SR1394.01

Dimension
(mm)

189.4X57

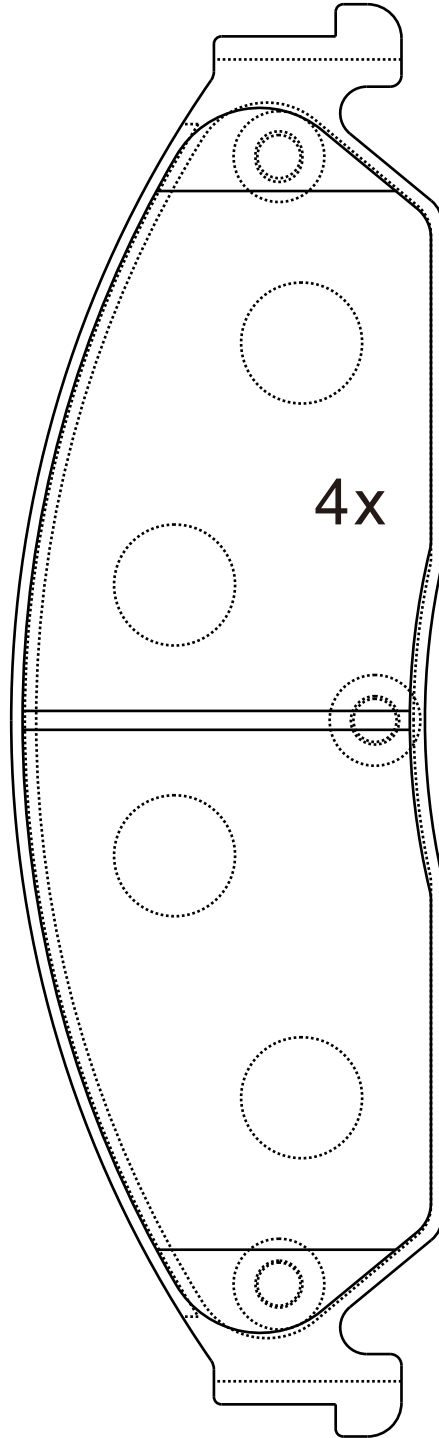
Thickness
(mm)

15.8



NOTE

4 identical;



24829

Apply for:
FORD Fairlane
FORD LTD

2003-2007
2003-2012